

Foodservice, Supermarket & Hospitality Storage Systems



UNIVERSAL STAINLESS

www.spgusa.com

EXPECT MORE



STORAGE PRODUCTS GROUP

Universal Stainless by SPG We manufacture great products at our facilities — and create efficient solutions for yours.

Whether it's the food you prepare or the equipment you buy, quality is derived from the ingredients that go into a product and the precision and skill with which it is made. That's why we use the highest quality materials in Universal Stainless products...it's why we use proven fabrication processes and employ highly skilled workers ...and why all of our equipment is manufactured and engineered to strict tolerances. As a result we can offer you a wide array of stainless steel sinks, cabinets, shelves, racks, stands and counters — all providing superior durability and greater long-term value.

Universal Stainless isn't alone in the quest to provide more and better choices in food service equipment. In fact, it is only one of six SPG product lines dedicated to serving the food-service industry. Along with ISS, AMCO, Kelmax, Freestyle, LPI, SPG offers the most comprehensive line of foodservice equipment available anywhere.

At SPG, we match the quality of our products with superior service. That means fast, efficient delivery of your order —

and it also means that we'll work with you to evaluate your space, understand your needs, and uncover opportunities to maximize the efficiency and economy of your operation. Then, based on your input, we'll help you select the right products or create unique solutions, and incorporate them into a design that optimizes the functionality of your space, increases the efficiency of your staff, and maximizes the long-term value of your investment. You can always Expect More from SPG.

For customer service and more information, contact us toll-free:

877.503.4SPG
(877.503.4774)

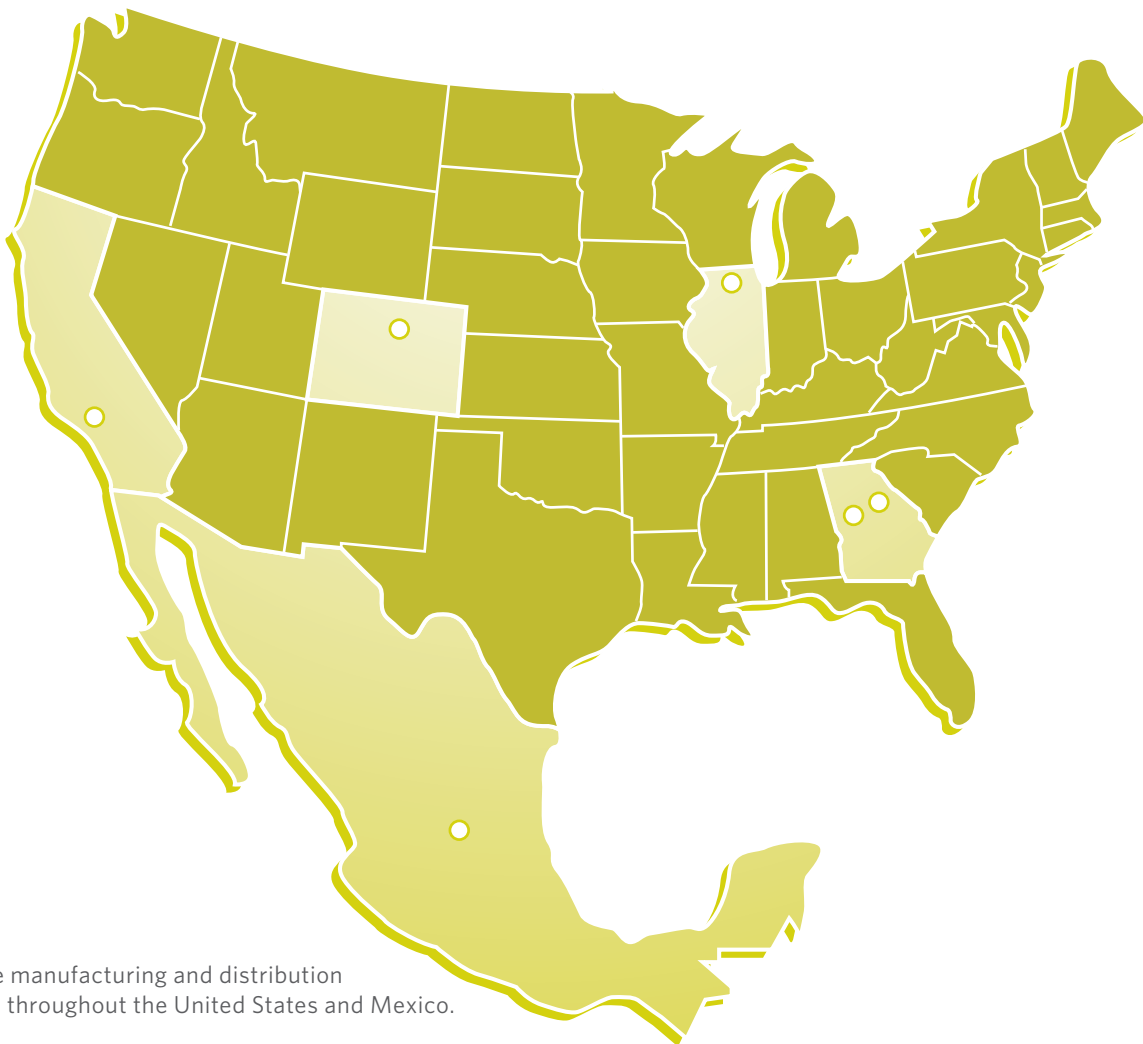
SPGUSA.com



Most of the foodservice products we manufacture meet NSF standards. For specific items, visit www.nsf.org.

Table of Contents

4	Equipment Stands	28	Dish Tables
6	Wall Shelving	32	Work Tables
8	Wall Cabinets	40	Cabinets
9	Hand Sinks	46	Specialty Tables
14	Compartment Sinks	48	Table Accessories
24	Specialty Sinks	52	Bar Equipment
26	Floor Troughs	59	Terms & Conditions

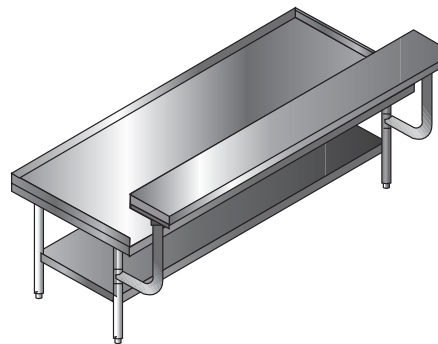


We have manufacturing and distribution facilities throughout the United States and Mexico.

EQUIPMENT STANDS

Heavy Duty Equipment Tables

- Available in Galvanized and Stainless Steel bases
- Table width is 30" (762mm). Working height is 24"
- Optional Stainless Steel and maple cutting boards available
- Rear and ends are turned up 2" to contain equipment
- Ends are hemmed, capped, and finished to conceal bracing
- Available in Standard (16 Gauge top) or Spec Line (14 Gauge top)



Heavy Duty Equipment Table

Standard "N" Series Model No.	Spec "SL" Line Model No.	L x W (In.) (mm.)		Approx. Wt. (Lbs.) (Kg.)		Cubic Ft.
Stainless Bases						
ES-3024-S	ES-SL-3024-S	24 x 30	610 x 762	60	32	12
ES-3036-S	ES-SL-3036-S	36 x 30	914 x 762	70	36	18
ES-3048-S	ES-SL-3048-S	48 x 30	1219 x 762	80	43	25
ES-3060-S	ES-SL-3060-S	60 x 30	1524 x 762	95	45	31
ES-3072-S	ES-SL-3072-S	72 x 30	1829 x 762	100	55	37
ES-3096-S	ES-SL-3096-S	96 x 30	2438 x 762	150	68	49
ES-30108-S	ES-SL-30108-S	108 x 30	2743 x 762	180	82	58
ES-30120-S	ES-SL-30120-S	120 x 30	3048 x 762	210	95	65
Galvanized Bases						
ES-3024-G	ES-SL-3024-G	24 x 30	610 x 762	60	32	12
ES-3036-G	ES-SL-3036-G	36 x 30	914 x 762	70	36	18
ES-3048-G	ES-SL-3048-G	48 x 30	1219 x 762	80	43	25
ES-3060-G	ES-SL-3060-G	60 x 30	1524 x 762	95	45	31
ES-3072-G	ES-SL-3072-G	72 x 30	1829 x 762	100	55	37
ES-3096-G	ES-SL-3096-G	96 x 30	2438 x 762	150	68	49
ES-30108-G	ES-SL-30108-G	108 x 30	2743 x 762	180	82	60
ES-30120-G	ES-SL-30120-G	120 x 30	3048 x 762	210	95	71

Optional Cutting Boards for Equipment Stands

- Available in Stainless Steel top and Maple top

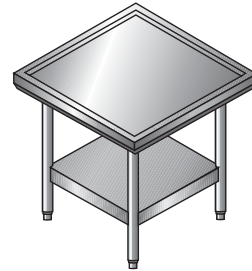
Model No	L x W (In.) (mm.)		Approx. Wt. (Lbs.) (Kg.)	
Stainless Steel Top				
ES-CBS-24	24 x 10	610 x 254	15	7
ES-CBS-36	36 x 10	914 x 254	20	9
ES-CBS-48	48 x 10	1219 x 254	25	11
ES-CBS-60	60 x 10	1524 x 254	30	14
ES-CBS-72	72 x 10	1829 x 254	35	16
Maple Top				
ES-CBM-24	24 x 10	610 x 254	20	9
ES-CBM-36	36 x 10	914 x 254	25	11
ES-CBM-48	48 x 10	1219 x 254	30	14
ES-CBM-60	60 x 10	1524 x 254	35	16
ES-CBM-72	72 x 10	1829 x 254	40	18

Mixer Stands

- Available in Stainless Steel or Galvanized bases
- Top: 16 Gauge 300 Series Stainless Steel
- Legs: 1⁵/₈" O.D. Stainless Steel tubing with adjustable bullet feet
- Undershef: 18 Gauge Stainless Steel, notched to fit legs and fully welded
- Raised marine edge to contain equipment
- Optional Utensil Tree available. Add -T to model number

Model No.*	L x W		Approx. Wt.		
	(In.)	(mm.)	(Lbs.)	(Kg.)	Cubic Ft.
Stainless Steel Bases					
MS-24-S	24 x 24	610 x 610	50	23	12
MS-2430-S	24 x 30	610 x 762	60	27	15
MS-30-S	30 x 30	762 x 762	65	30	18
MS-3036-S	30 x 36	762 x 914	75	34	20
Galvanized Bases					
MS-24-G	24 x 24	610 x 610	50	23	12
MS-2430-G	24 x 30	610 x 762	60	27	15
MS-30-G	30 x 30	762 x 762	65	30	18
MS-3036-G	30 x 36	762 x 914	75	34	20

*For Utensil Tree option add -T to model number.



Mixer Stand



Mixer Stand with Utensil Tree

Mobile Equipment Table

- For slicers and other low profile equipment
- 16 Gauge 300 Series Stainless Steel top
- Legs: 1⁵/₈" O.D. Stainless Steel square tubing
- Contains 2 casters and 2 feet
- 30" working height
- Tubular handles on 24" side
- 18 Gauge 300 Series Stainless Steel undershef included

Model No.	L x W		Approx. Wt.		
	(In.)	(mm.)	(Lbs.)	(Kg.)	Cubic Ft.
MET-2430	24 x 30	610 x 762	65	30	4

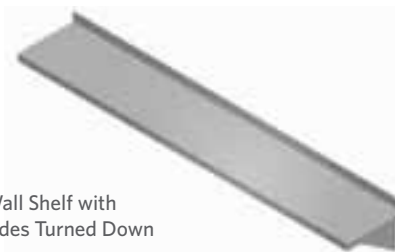


Mobile Equipment Table
MET-2430

WALL SHELVING

Wall Shelves with Sides Turned Down

- Manufactured from 16 Gauge 300 Series Stainless Steel with rear turned up 2"
- Front and sides are formed down 1½" at 90 degrees and back ½" at 45 degrees
- Includes wall shelf brackets made from 16 Gauge Stainless Steel
- Brackets are shipped loose for ease of wall stud location
- Shelf ends can be turned up 2" (Use U in place of D when ordering, example WSU-2410)



Wall Shelf with Sides Turned Down

Model No.				
10" Wide (254mm)	12" Wide (305mm)	14" wide (356mm)	16" Wide (406mm)	Length (In.) (mm.)
WSD-2410	WSD-2412	WSD-2414	WSD-2416	24 610
WSD-3610	WSD-3612	WSD-3614	WSD-3616	36 914
WSD-4810	WSD-4812	WSD-4814	WSD-4816	48 1219
WSD-6010	WSD-6012	WSD-6014	WSD-6016	60 1524
WSD-7210	WSD-7212	WSD-7214	WSD-7216	72 1829
WSD-8410	WSD-8412	WSD-8414	WSD-8416	84 2134
WSD-9610	WSD-9612	WSD-9614	WSD-9616	96 2438
WSD-10810	WSD-10812	WSD-10814	WSD-10816	108 2743
WSD-12010	WSD-12012	WSD-12014	WSD-12016	120 3048
Weight: 3 Lbs. (1.4 Kilos) Per Linear Ft.	Weight: 4 Lbs. (1.8 Kilos) Per Linear Ft.	Weight: 5 Lbs. (2.3 Kilos) Per Linear Ft.	Weight: 6 Lbs. (2.7 Kilos) Per Linear Ft.	—

Microwave Shelves

- Manufactured from 16 Gauge 300 Series Stainless Steel
- Front formed down 1½" at 90 degrees and back ½" at 45 degrees

Model No.	L x W		Approx. Weight	
	(In.)	(mm.)	(Lbs.)	(Kg.)
MWS-1824	18 x 24	457 x 610	15	7
MWS-24	24 x 24	610 x 610	20	9



Microwave Shelf

Wall Mount Double Rail Pot Racks

- All welded construction
- Choose from 4' to 10' lengths
- Pot rack bars fabricated from 3/16" x 2" flat bar Stainless Steel
- Stainless Steel pot hooks supplied, two every 12"

Model No.	Length		App. Wt.		Cubic Ft.
	(In.)	(mm.)	(Lbs.)	(Kg.)	
PR-WD-36-S	36	915	17	8	4
PR-WD-48-S	48	1219	26	12	5
PR-WD-60-S	60	1524	30	14	6
PR-WD-72-S	72	1829	34	15	7
PR-WD-84-S	84	2134	38	17	8
PR-WD-96-S	96	2438	42	19	10
PR-WD-108-S	108	2743	46	21	11
PR-WD-120-S	120	3048	50	23	12

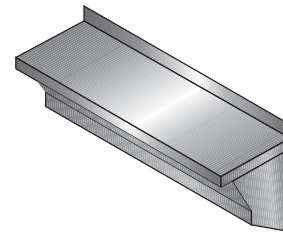


Double Rail Pot Rack

Wall Shelves with Pot Racks

- Manufactured from 16 Gauge 300 Series Stainless Steel
- Pot rack is 3/16" x 2" Stainless Steel flat bar welded to shelf brackets
- Stainless Steel pot hooks supplied, one every 12"

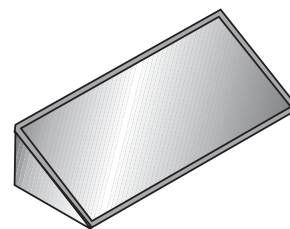
Model No.	W x L		Approx. Weight		Cubic Ft.
	(In.)	(mm.)	(Lbs.)	(Kg.)	
WSP1248	12 x 48	305 x 1219	32	15	6
WSP1260	12 x 60	305 x 1524	40	18	8
WSP1272	12 x 72	305 x 1829	48	22	9
WSP1284	12 x 84	305 x 2134	56	25	10
WSP1296	12 x 96	305 x 2438	64	29	12
WSP12108	12 x 108	305 x 2743	72	33	14
WSP12120	12 x 120	305 x 3048	80	36	15



Wall Shelf with Pot Rack

Wall Mount Rack Shelf

Model No.	L x W		Approx. Weight		Cubic Ft.
	(In.)	(mm.)	(Lbs.)	(Kg.)	
WMRS-21	21 x 21	533 x 533	20	9	6
WMRS-42	42 x 21	1067 x 533	44	20	10
WMRS-63	63 x 21	1600 x 533	60	27	15



Wall Mount Rack Shelf

WALL CABINETS

Wall Cabinets

- Maximize space with wall mounted cabinets
- 18 Gauge 300 Series Stainless Steel body, shelves and doors (if applicable)
- Top sloped for cleaning ease
- Unit features intermediate shelf



Model No	L x W x H		Approx. Wt.		Cubic Ft.
	(In.)	(mm.)	(Lbs.)	(Kg.)	
Open Front					
CWO-3	36 x 15 x 30	914 x 381 x 762	85	39	15
CWO-4	48 x 15 x 30	1219 x 381 x 762	105	48	19
CWO-5	60 x 15 x 30	1524 x 381 x 762	125	57	24
CWO-6	72 x 15 x 30	1829 x 381 x 762	140	64	28
Hinged Doors					
CWH-3	36 x 15 x 30	914 x 381 x 762	120	55	15
CWH-4	48 x 15 x 30	1219 x 381 x 762	135	61	19
CWH-5	60 x 15 x 30	1524 x 381 x 762	155	70	24



Wall Cabinet with Open Front



Wall Cabinet with Hinged Doors

- Choose from Standard Series (18 Gauge deep drawn bowl) or Spec Series (16 Gauge 300 Series Stainless Steel, fully fabricated)
- 12" x 10" x 6" (305 x 254 x 152) bowl size
- 7" high integrally formed backplash
- Inverted "V" non-drip edge on three sides
- Includes faucets, basket drains, and wall brackets



Standard Hand Sink

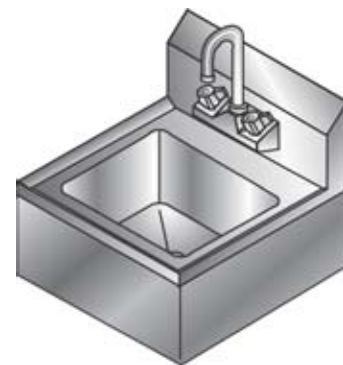
Model No.	Description	Approx. Weight		Cubic
		(Lbs.)	(Kg.)	Ft.
Standard Series - 18 GA SS				
EHS-1	Hand Sink	15	7	2.0
EHS-1R	Right Splash	20	9	2.0
EHS-1L	Left Splash	20	9	2.0
EHS-1RL	Right and Left Splash	25	11	2.0
Spec Series - 16 GA SS				
CHS-1	Hand Sink	15	7	2.5
CHS-1R	Right Splash	20	9	2.5
CHS-1L	Left Splash	20	9	2.5
CHS-1RL	Right and Left Splash	25	11	2.5



Standard Hand Sink
CHS-1

Skirted Hand Sink

Model No.	Description	Approx. Weight		Cubic
		(Lbs.)	(Kg.)	Ft.
Standard Series - 18 GA SS				
EHS-2	Skirted Hand Sink	20	9	2.5
EHS-2R	Right Splash	25	11	2.5
EHS-2L	Left Splash	25	11	2.5
EHS-2RL	Right and Left Splash	30	14	2.5
Spec Series - 16 GA SS				
CHS-2	Skirted Hand Sink	20	9	2.5
CHS-2R	Right Splash	25	11	2.5
CHS-2L	Left Splash	25	11	2.5
CHS-2RL	Right and Left Splash	30	14	2.5



Skirted Hand Sink
CHS-2

HAND SINKS

Standard Hand Sink with Soap & Towel Dispenser

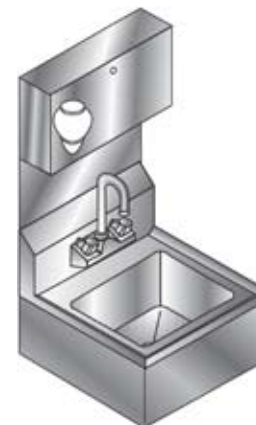
Model No.	Description	Approx. Weight		Cubic
		(Lbs.)	(Kg.)	Ft.
Standard Series - 18 GA SS				
EHS-3	Hand Sink with Soap and Towel Dispenser	27	12	2.5
EHS-3R	Right Splash	32	15	2.5
EHS-3L	Left Splash	32	15	2.5
EHS-3RL	Right and Left Splash	37	17	2.5
Spec Series - 16 GA SS				
CHS-3	Hand Sink with Soap and Towel Dispenser	27	12	2.5
CHS-3R	Right Splash	32	15	2.5
CHS-3L	Left Splash	32	15	2.5
CHS-3RL	Right and Left Splash	37	17	2.5



Standard Hand Sink with Soap & Towel Dispenser
CHS-3

Skirted Hand Sink with Soap & Towel Dispenser

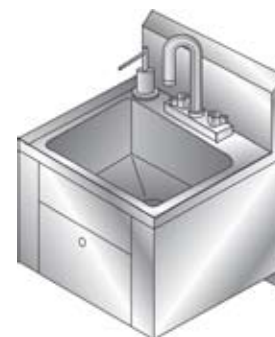
Model No.	Description	Approx. Weight		Cubic
		(Lbs.)	(Kg.)	Ft.
Standard Series - 18 GA SS				
EHS-4	Skirted Hand Sink with Soap and Towel Dispenser	32	15	2.5
EHS-4R	Right Splash	37	17	2.5
EHS-4L	Left Splash	37	17	2.5
EHS-4RL	Right and Left Splash	42	19	2.5
Spec Series - 16 GA SS				
CHS-4	Skirted Hand Sink with Soap and Towel Dispenser	32	15	2.5
CHS-4R	Right Splash	37	17	2.5
CHS-4L	Left Splash	37	17	2.5
CHS-4RL	Right and Left Splash	42	19	2.5



Skirted Hand Sink with Soap & Towel Dispenser
CHS-4

Hand Sink with Soap & Towel Dispenser Below

Model No.	Description	Approx. Weight		Cubic
		(Lbs.)	(Kg.)	Ft.
Spec Series - 16 GA SS				
CHS-5	Hand Sink with Soap and Towel Dispenser below	35	16	4
CHS-5R	Right Splash	40	18	4
CHS-5L	Left Splash	40	18	4
CHS-5RL	Right and Left Splash	45	20	4



Hand Sink with Soap & Towel Dispenser Below
CHS-5

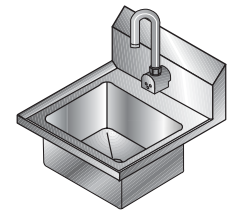
Hand Sinks with Electronic Eye Faucets

- Infrared technology senses the user's presence and activates the water supply - pre-mixed to desired temperature
- Spec Series 16 Gauge 300 Series Stainless Steel
- 7" high integrally formed backsplash
- Inverted "V" non-drip edge on three sides
- Includes faucets, basket drains, and wall brackets



Hand Sink with Electronic Eye Faucet

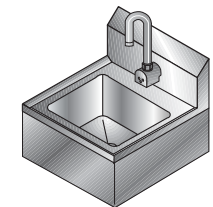
Model No.	Description	Bowl Size L x W x D		Approx. Weight		Cubic Ft.
		(In.)	(mm.)	(Lbs.)	(Kg.)	
HSE-11	Hand Sink	12 x 10 x 6	305 x 254 x 152	17	8	2.5
HSE-11R	Right Splash	12 x 10 x 6	305 x 254 x 152	22	10	2.5
HSE-11L	Left Splash	12 x 10 x 6	305 x 254 x 152	22	10	2.5
HSE-11RL	Right and Left Splash	12 x 10 x 6	305 x 254 x 152	27	12	2.5



HSE-11

Skirted Hand Sink with Electronic Eye Faucet

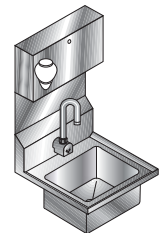
Model No.	Description	Bowl Size L x W x D		Approx. Weight		Cubic Ft.
		(In.)	(mm.)	(Lbs.)	(Kg.)	
HSE-21	Skirted Hand Sink	12 x 10 x 6	305 x 254 x 152	22	10	2.5
HSE-21R	Right Splash	12 x 10 x 6	305 x 254 x 152	27	12	2.5
HSE-21L	Left Splash	12 x 10 x 6	305 x 254 x 152	27	12	2.5
HSE-21RL	Right and Left Splash	12 x 10 x 6	305 x 254 x 152	32	15	2.5



HSE-21

Hand Sink with Soap & Towel Dispenser w/ Electronic Eye Faucet

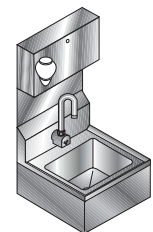
Model No.	Description	Bowl Size L x W x D		Approx. Weight		Cubic Ft.
		(In.)	(mm.)	(Lbs.)	(Kg.)	
HSE-31	Hand Sink with Soap and Towel Dispenser	12 x 10 x 6	305 x 254 x 152	30	14	2.5
HSE-31R	Right Splash	12 x 10 x 6	305 x 254 x 152	35	16	2.5
HSE-31L	Left Splash	12 x 10 x 6	305 x 254 x 152	35	16	2.5
HSE-3RL	Right and Left Splash	12 x 10 x 6	305 x 254 x 152	40	18	2.5



HSE-31

Skirted Hand Sink with Soap & Towel Dispenser with Electronic Eye Faucet

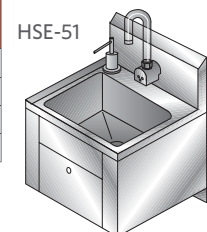
Model No.	Description	Bowl Size L x W x D		Approx. Weight		Cubic Ft.
		(In.)	(mm.)	(Lbs.)	(Kg.)	
HSE-41	Skirted Hand Sink with Soap and Towel Dispenser	12 x 10 x 6	305 x 254 x 152	35	16	2.5
HSE-41R	Right Splash	12 x 10 x 6	305 x 254 x 152	40	18	2.5
HSE-41L	Left Splash	12 x 10 x 6	305 x 254 x 152	40	18	2.5
HSE-41RL	Right and Left Splash	12 x 10 x 6	305 x 254 x 152	45	20	2.5



HSE-41

Hand Sink with Soap & Towel Dispenser Below with Electronic Eye Faucet

Model No.	Description	Bowl Size L x W x D		Approx. Weight		Cubic Ft.
		(In.)	(mm.)	(Lbs.)	(Kg.)	
HSE-51	Hand Sink with Soap and Towel Dispenser Below	12 x 10 x 6	305 x 254 x 152	39	18	2.5
HSE-51R	Right Splash	12 x 10 x 6	305 x 254 x 152	44	20	2.5
HSE-51L	Left Splash	12 x 10 x 6	305 x 254 x 152	44	20	2.5
HSE-51RL	Right and Left Splash	12 x 10 x 6	305 x 254 x 152	49	22	2.5



HSE-51

HAND SINKS

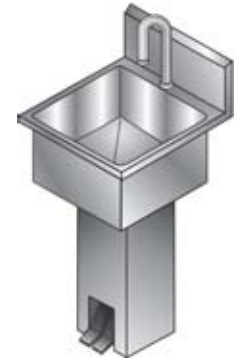
Wall and Floor Mount Hand Sinks

- Choose from 16" x 16" x 10" or 14" x 12" x 10" bowl sizes
- Spec Series 16 Gauge 300 Series Stainless Steel
- Includes knee and foot operated valves, goose neck spouts, and basket drains
- Wall brackets included



Standard Wall and Floor Mount Sinks

Model No.	Description	Bowl Size L x W x D		Approx. Weight		Cubic Ft.
		(In.)	(mm.)	(Lbs.)	(Kg.)	
FMHS-16	16" x 16" Floor Mount Hand Sink	16 x 16 x 10	406 x 406 x 254	40	18	10.0
FMHS-16R	Right Splash	16 x 16 x 10	406 x 406 x 254	45	20	10.0
FMHS-16L	Left Splash	16 x 16 x 10	406 x 406 x 254	45	20	10.0
FMHS-16RL	Right and Left Splash	16 x 16 x 10	406 x 406 x 254	50	23	10.0
FMHS-1412	14" x 12" Floor Mount Hand Sink	14 x 12 x 10	356 x 305 x 254	30	14	7.0
FMHS-1412R	Right Splash	14 x 12 x 10	356 x 305 x 254	35	16	7.0
FMHS-1412L	Left Splash	14 x 12 x 10	356 x 305 x 254	35	16	7.0
FMHS-1412RL	Right and Left Splash	14 x 12 x 10	356 x 305 x 254	40	18	7.0
WMHS-16	16" x 16" Wall Mount Hand Sink	16 x 16 x 10	406 x 406 x 254	30	14	5.0
WMHS-16R	Right Splash	16 x 16 x 10	406 x 406 x 254	35	16	5.0
WMHS-16L	Left Splash	16 x 16 x 10	406 x 406 x 254	35	16	5.0
WMHS-16RL	Right and Left Splash	16 x 16 x 10	406 x 406 x 254	40	18	5.0
WMHS-1412	14" x 12" Wall Mount Hand Sink	14 x 12 x 10	356 x 305 x 254	25	11	4.0
WMHS-1412R	Right Splash	14 x 12 x 10	356 x 305 x 254	30	14	4.0
WMHS-1412L	Left Splash	14 x 12 x 10	356 x 305 x 254	30	14	4.0
WMHS-1412RL	Right and Left Splash	14 x 12 x 10	356 x 305 x 254	35	16	4.0



FMHS-16



WMHS-16

Specialty Hand Sinks

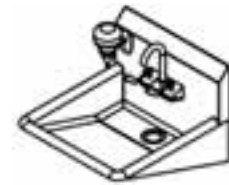
- All sinks are 300 Series Stainless Steel



ADA Compliant Hand Sinks

- Includes wrist handles & soap dispenser

Model No.	Description	Bowl Size L x W x D		Approx. Weight		Cubic Ft.
		(In.)	(mm.)	(Lbs.)	(Kg.)	
HS-ADA	ADA Compliant Hand Sink	16 x 17 x 6	406 x 432 x 152	20	9	2.5
HS-ADA-E	ADA Sink with Electric Eye	16 x 17 x 6	406 x 432 x 152	20	9	2.5



ADA Compliant Hand Sink



Multi-Station Hand Sink

Multi-Station Hand Sink

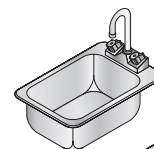
- Wall mounted. Includes tubular wall supports. Faucets not included

Model No.	Description	Bowl Size L x W		# Faucets	O.D. Size L x W		Approx. Weight		Cubic Ft.
		(In.)	(mm.)		(In.)	(mm.)	(Lbs.)	(Kg.)	
MSHS-4	Multi-Station Hand Sink	44 x 16	1118 x 406	2	47 x 19 ¹ / ₂	1219 x 508	81	37	8
MSHS-5	Multi-Station Hand Sink	56 x 16	1422 x 406	3	59 x 19 ¹ / ₂	1524 x 508	100	45	10
MSHS-6	Multi-Station Hand Sink	68 x 16	1726 x 406	3	71 x 19 ¹ / ₂	1829 x 508	120	55	12
MSHS-8	Multi-Station Hand Sink	92 x 16	2355 x 406	4	95 x 19 ¹ / ₂	2438 x 508	160	73	16

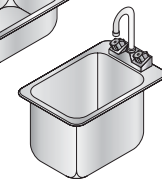
Drop-In Sinks

- Includes faucets and basket drain

Model No.	Description	Bowl Size L x W x D		Approx. Weight		Cubic Ft.
		(In.)	(mm.)	(Lbs.)	(Kg.)	
DI-1-5DF	Drop In Sink- 5" deep	10 x 14 x 5	254 x 356 x 127	8	4	0.6
DI-1-10DF	Drop In Sink- 10" deep	10 x 14 x 10	254 x 356 x 254	10	5	1.0



DI-1-5DF



DI-1-10DF

Hand Sink Accessories

Model No.	Description
HS-WB	Hand Sink Support Brackets
WRISTHANDLES	Wrist Handles
HS-SD-D	Soap Dispenser- Deck Mount
HS-SD-W	Soap Dispenser- Wall Mount
CHS-TD	Soap & Towel Dispenser
US-LD-MINI	Lever Drains
HS-SG	Bolt on Splash Guards

COMPARTMENT SINKS

- Available with one to three sink bowls, with or without drainboards
- Four compartment sinks and modified bowl sizes are available upon request. Please contact factory
- Choose from two series of compartment sinks:
 - Standard "N" Series: 16 Gauge 300 Series Stainless Steel, 12" bowl depth and galvanized legs
 - Spec "SL" Line: 14 Gauge 300 Series Stainless Steel, 14" bowl depth and stainless steel legs and crossrails



Compartment Sinks without Drainboards /SL Line

Each Universal sink features the following:

- Fully fabricated bowl with full metal thickness throughout provides greater durability and strength than a drawn sink
- 9" high integrally formed backsplash, with 2" return to wall at 45 degrees
- 2 1/2" high, 180 degree sanitary rolled rim at all free edges
- Leg assemblies located directly under sink bowls for greater load support
- Legs are 1 5/8" diameter tubing with adjustable bullet feet
- All corners, both horizontal and vertical, are covered at 5/8" radius, welded and polished to form a one-piece sanitary unit
- All sinks are furnished with basket drains and 1 1/8" faucet holes punched in backsplash on 8" centers as required
- Sinks with drainboards over 24" have additional legs under each drainboard for added strength
- All are NSF listed and CSA certified

Standard N				Spec SL Line				Bowl Size		Dimensions	
Series	Approx. Weight	Cubic	Spec SL Line	Approx. Weight	Cubic			L x W	L x W		
Model No.	(Lbs.)	(Kg.)	Model No.	(Lbs.)	(Kg.)	Ft.	Ft.	(In.)	(mm.)	(In.)	(mm.)
One Compartment Sink											
1N1618	40	18	10	1SL1618	44	20	11	16 x 18	406 x 457	21 x 23 1/2	533 x 597
1N1620	43	20	10	1SL1620	47	21	11	16 x 20	406 x 508	21 x 25 1/2	533 x 648
1N18	45	20	11	1SL18	50	23	12	18 x 18	457 x 457	23 x 23 1/2	584 x 597
1N1824	53	24	13	1SL1824	59	27	14	18 x 24	457 x 610	23 x 29 1/2	584 x 749
1N20	55	25	14	1SL20	60	27	14	20 x 20	508 x 508	25 x 25 1/2	635 x 648
1N24	62	28	16	1SL24	68	31	17	24 x 24	610 x 610	29 x 29 1/2	737 x 749
1N2028	65	30	20	—	—	—	—	20 x 28	508 x 711	25 x 33 1/2	635 x 851
Two Compartment Sink											
2N1618	74	34	17	2SL1618	79	36	19	16 x 18	406 x 457	39 x 23 1/2	991 x 597
2N18	78	35	19	2SL18	85	39	20	18 x 18	457 x 457	43 x 23 1/2	1092 x 597
2N1824	92	42	23	2SL1824	103	47	25	18 x 24	457 x 610	43 x 29 1/2	1092 x 749
2N20	96	44	24	—	—	—	—	20 x 20	508 x 508	47 x 25 1/2	1194 x 648
2N24	109	50	29	2SL24	124	56	32	24 x 24	610 x 610	55 x 29 1/2	1397 x 749
2N2028	115	52	31	—	—	—	—	20 x 28	508 x 711	47 x 33 1/2	1194 x 851
2N2430	128	58	35	2SL2430	146	66	37	24 x 30	610 x 762	55 x 35 1/2	1397 x 902
—	—	—	—	2SL30	150	68	45	30 x 30	762 x 762	67 x 35 1/2	1702 x 902
Three Compartment Sink											
3N1618	104	47	25	3SL1618	116	53	27	16 x 18	406 x 457	57 x 23 1/2	1448 x 597
3N1620	107	49	25	—	—	—	—	16 x 20	406 x 508	57 x 25 1/2	1448 x 648
3N18	109	50	27	—	—	—	—	18 x 18	457 x 457	63 x 23 1/2	1600 x 597
3N1824	131	60	34	3SL1824	150	68	36	18 x 24	457 x 610	63 x 29 1/2	1600 x 749
—	—	—	—	3SL24	182	83	46	24 x 24	610 x 610	81 x 29 1/2	2057 x 749
3N2028	170	77	47	3SL2028	200	91	50	20 x 28	508 x 711	69 x 33 1/2	1753 x 851
—	—	—	—	3SL2430	216	98	54	24 x 30	610 x 762	81 x 35 1/2	2057 x 902
—	—	—	—	3SL30	236	107	66	30 x 30	762 x 762	99 x 35 1/2	2515 x 902

1 Compartment Sink with 1 Drainboard

- Drainboard available on right or left side (Insert R or L in model number where asterisks appear)
- Standard "N" Series: 16 Gauge 300 Series Stainless Steel
- Spec "SL" Line: 14 Gauge 300 Series Stainless Steel



One Compartment Sink with 1 Drainboard

Standard N Series Model No.	Approx. Weight (Lbs.)	Cubic (Kg.)	Ft.	Spec SL Line Model No.	Approx. Weight (Lbs.)	Cubic (Kg.)	Ft.	Drainboard Length (In.)	(mm.)	Dimensions L x W (In.)	(mm.)
Bowl Size 16" x 18" (406 x 457 mm.) L x W											
1N1618-*D18	53	24	16	1SL1618-*D18	57	26	18	18	457	36 1/2 x 23 1/2	927 x 597
1N1618-*D24	56	25	19	1SL1618-*D24	60	27	20	24	610	42 1/2 x 23 1/2	1080 x 597
1N1618-*D30	60	27	21	1SL1618-*D30	64	29	23	30	762	48 1/2 x 23 1/2	1232 x 597
Bowl Size 16" x 20" (406 x 508 mm.) L x W											
1N1620-*D18	54	25	16	1SL1620-*D18	58	26	18	18	457	36 1/2 x 25 1/2	927 x 648
1N1620-*D24	57	26	19	1SL1620-*D24	62	28	20	24	610	42 1/2 x 25 1/2	1080 x 648
Bowl Size 18" x 18" (457 x 457 mm.) L x W											
1N18-*D18	55	25	17	—	—	—	—	18	457	38 1/2 x 23 1/2	978 x 597
1N18-*D24	58	26	20	—	—	—	—	24	610	44 1/2 x 23 1/2	1130 x 597
1N18-*D30	62	28	22	—	—	—	—	30	762	50 1/2 x 23 1/2	1283 x 597
Bowl Size 18" x 24" (457 x 610 mm.) L x W											
1N1824-*D18	64	29	21	1SL1824-*D18	70	32	23	18	457	38 1/2 x 29 1/2	978 x 749
1N1824-*D24	68	31	24	1SL1824-*D24	75	34	26	24	610	44 1/2 x 29 1/2	1130 x 749
1N1824-*D30	72	33	27	—	—	—	—	30	762	50 1/2 x 29 1/2	1283 x 749
Bowl Size 20" x 20" (508 x 508 mm.) L x W											
—	—	—	—	1SL20-*D18	77	35	26	18	457	40 1/2 x 25 1/2	1029 x 648
1N20-*D24	74	34	27	—	—	—	—	24	610	46 1/2 x 25 1/2	1181 x 648
Bowl Size 24" x 24" (610 x 610 mm.) L x W											
1N24-*D24	77	35	27	1SL24-*D24	85	39	29	24	610	50 1/2 x 29 1/2	1283 x 749
1N24-*D30	78	35	30	—	—	—	—	30	762	56 1/2 x 29 1/2	1435 x 749
Bowl Size 24" x 30" (610 x 762 mm.) L x W											
1N2430-*D24	97	44	32	1SL2430-*D24	103	47	35	24	610	50 1/2 x 35 1/2	1283 x 902

*Must specify R for Right Drainboard, L for Left Drainboard

COMPARTMENT SINKS

1 Compartment Sink with 1 Drainboard

- Drainboard available on right or left side (Insert R or L in model number where asterisks appear)
- Standard "N" Series: 16 Gauge 300 Series Stainless Steel
- Spec "SL" Line: 14 Gauge 300 Series Stainless Steel

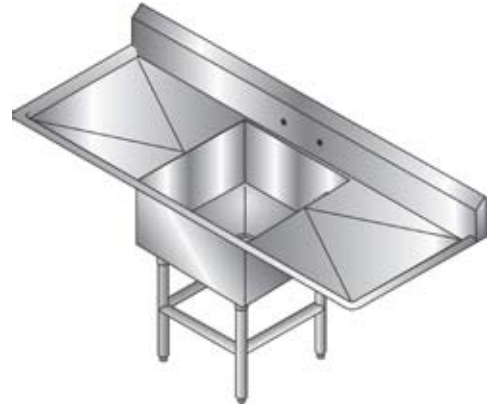


One Compartment Sink with 1 Drainboard

Standard N Series Model No.	Approx. Weight (Lbs.)	Approx. Weight (Kg.)	Cubic Ft.	Spec SL Line Model No.	Approx. Weight (Lbs.)	Approx. Weight (Kg.)	Cubic Ft.	Drainboard Length (In.)	Drainboard Length (mm.)	Dimensions L x W (In.)	Dimensions L x W (mm.)
Bowl Size 16" x 18" (406 x 457 mm.) L x W											
1N1618-*D18	53	24	16	1SL1618-*D18	57	26	18	18	457	36 1/2 x 23 1/2	927 x 597
1N1618-*D24	56	25	19	1SL1618-*D24	60	27	20	24	610	42 1/2 x 23 1/2	1080 x 597
1N1618-*D30	60	27	21	1SL1618-*D30	64	29	23	30	762	48 1/2 x 23 1/2	1232 x 597
Bowl Size 16" x 20" (406 x 508 mm.) L x W											
1N1620-*D18	54	25	16	1SL1620-*D18	58	26	18	18	457	36 1/2 x 25 1/2	927 x 648
1N1620-*D24	57	26	19	1SL1620-*D24	62	28	20	24	610	42 1/2 x 25 1/2	1080 x 648
Bowl Size 18" x 18" (457 x 457 mm.) L x W											
1N18-*D18	55	25	17	—	—	—	—	18	457	38 1/2 x 23 1/2	978 x 597
1N18-*D24	58	26	20	—	—	—	—	24	610	44 1/2 x 23 1/2	1130 x 597
1N18-*D30	62	28	22	—	—	—	—	30	762	50 1/2 x 23 1/2	1283 x 597
Bowl Size 18" x 24" (457 x 610 mm.) L x W											
1N1824-*D18	64	29	21	1SL1824-*D18	70	32	23	18	457	38 1/2 x 29 1/2	978 x 749
1N1824-*D24	68	31	24	1SL1824-*D24	75	34	26	24	610	44 1/2 x 29 1/2	1130 x 749
1N1824-*D30	72	33	27	—	—	—	—	30	762	50 1/2 x 29 1/2	1283 x 749
Bowl Size 20" x 20" (508 x 508 mm.) L x W											
—	—	—	—	1SL20-*D18	77	35	26	18	457	40 1/2 x 25 1/2	1029 x 648
1N20-*D24	74	34	27	—	—	—	—	24	610	46 1/2 x 25 1/2	1181 x 648
Bowl Size 24" x 24" (610 x 610 mm.) L x W											
1N24-*D24	77	35	27	1SL24-*D24	85	39	29	24	610	50 1/2 x 29 1/2	1283 x 749
1N24-*D30	78	35	30	—	—	—	—	30	762	56 1/2 x 29 1/2	1435 x 749
Bowl Size 24" x 30" (610 x 762 mm.) L x W											
1N2430-*D24	97	44	32	1SL2430-*D24	103	47	35	24	610	50 1/2 x 35 1/2	1283 x 902

*Must specify R for Right Drainboard, L for Left Drainboard

1 Compartment Sink with 2 Drainboards



One Compartment Sink with 2 Drainboards

Standard N Series Model No.	Approx. Weight (Lbs.)	Approx. Weight (Kg.)	Cubic Ft.	Spec SL Line Model No.	Approx. Weight (Lbs.)	Approx. Weight (Kg.)	Cubic Ft.	Drainboard Length (In.)	Drainboard Length (mm.)	Dimensions L x W (In.)	Dimensions L x W (mm.)
Bowl Size 16" x 18" (406 x 457 mm.) L x W											
—	—	—	—	1SL1618-2D24	73	33	30	24	610	64 x 23 1/2	1626 x 597
Bowl Size 18" x 18" (457 x 457 mm.) L x W											
1N18-2D18	71	32	24	—	—	—	—	18	457	54 x 23 1/2	1372 x 597
Bowl Size 20" x 20" (508 x 508 mm.) L x W											
—	—	—	—	1SL20-2D24	101	46	43	24	610	44 x 25 1/2	1118 x 648
Bowl Size 24" x 24" (610 x 610 mm.) L x W											
1N24-2D24	92	42	38	—	—	—	—	24	610	72 x 29 1/2	1829 x 749
Bowl Size 20" x 28" (508 x 711 mm.) L x W											
1N2028-2D36	133	60	61	—	—	—	—	36	914	56 x 33 1/2	1422 x 851
Bowl Size 24" x 30" (610 x 762 mm.) L x W											
—	—	—	—	1SL2430-2D24	127	58	49	24	610	72 x 35 1/2	1829 x 902
1N2430-2D30	129	59	53	—	—	—	—	30	762	84 x 35 1/2	2134 x 902
Bowl Size 30" x 30" (762 x 762 mm.) L x W											
—	—	—	—	1SL30-2D36	165	75	68	36	914	102 x 35 1/2	2591 x 902

COMPARTMENT SINKS

2 Compartment Sink with 1 Drainboard

- Drainboard available on right or left side (Insert R or L in model number where asterisk appears)
- Standard "N" Series: 16 Gauge 300 Series Stainless Steel
- Spec "SL" Line: 14 Gauge 300 Series Stainless Steel

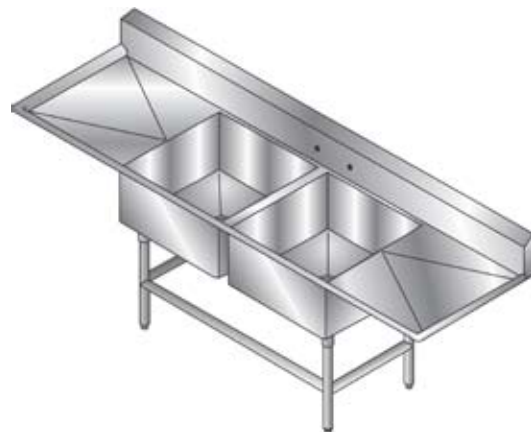


Two Compartment Sink with 1 Drainboard

Standard N Series	Approx. Weight (Lbs.)	Approx. Weight (Kg.)	Cubic Ft.	Spec SL Line Model No.	Approx. Weight (Lbs.)	Approx. Weight (Kg.)	Cubic Ft.	Drainboard Length (In.)	Drainboard Length (mm.)	Dimensions L x W (In.)	Dimensions L x W (mm.)
Bowl Size 16" x 18" (406 x 457 mm.) L x W											
2N1618-*D18	83	38	24	—	—	—	—	18	457	54 1/2 x 23 1/2	1384 x 597
2N1618-*D24	86	39	26	2SL1618-*D24	95	43	28	24	610	60 1/2 x 23 1/2	1537 x 597
Bowl Size 16" x 20" (406 x 508 mm.) L x W											
2N1620-*D18	85	39	24	—	—	—	—	18	457	54 1/2 x 25 1/2	1384 x 648
Bowl Size 18" x 18" (457 x 457 mm.) L x W											
2N18-*D18	87	40	25	—	—	—	—	18	457	58 1/2 x 23 1/2	1486 x 597
2N18-*D24	90	41	28	—	—	—	—	24	610	64 1/2 x 23 1/2	1638 x 597
Bowl Size 18" x 24" (457 x 610 mm.) L x W											
2N1824-*D18	107	49	31	—	—	—	—	18	457	58 1/2 x 29 1/2	1486 x 749
2N1824-*D24	111	50	34	—	—	—	—	24	610	64 1/2 x 29 1/2	1638 x 749
Bowl Size 20" x 20" (508 x 508 mm.) L x W											
—	—	—	—	2SL20-*D18	133	60	39	18	457	62 1/2 x 25 1/2	1578 x 648
Bowl Size 24" x 24" (610 x 610 mm.) L x W											
2N24-*D24	127	58	40	2SL24-*D24	146	66	43	24	610	76 1/2 x 29 1/2	1943 x 749
Bowl Size 20" x 28" (508 x 711 mm.) L x W											
2N2028-*D36	195	89	51	—	—	—	—	36	914	80 1/2 x 35 1/2	2045 x 902
Bowl Size 24" x 30" (610 x 762 mm.) L x W											
—	—	—	—	2SL2430-*D36	175	80	59	36	914	88 1/2 x 35 1/2	2248 x 902

*Must specify R for Right Drainboard, L for Left Drainboard

2 Compartment Sink with 2 Drainboards



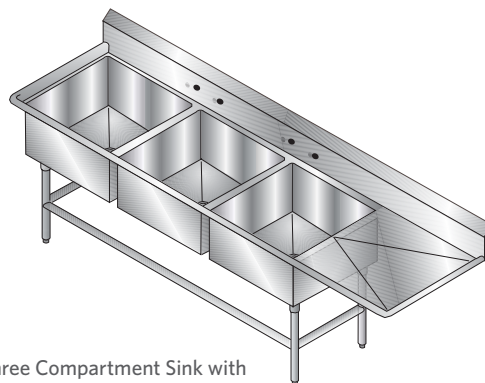
Two Compartment Sink with 2 Drainboards

Standard N								Drainboard		Dimensions	
Series	Approx. Weight	Cubic	Spec SL	Approx. Weight	Cubic	Length		L x W			
Model No.	(Lbs.)	(Kg.)	Line	(Lbs.)	(Kg.)	(In.)	(mm.)	(In.)	(mm.)		
Bowl Size 16" x 18" (406 x 457 mm.) L x W											
2N1618-2D18	92	42	30	—	—	—	—	18	457	70 x 23 ¹ / ₂	1778 x 597
—	—	—	—	2SL1618-2D24	110	50	38	24	610	82 x 23 ¹ / ₂	2083 x 597
2N1618-2D30	105	48	40	—	—	—	—	30	762	94 x 23 ¹ / ₂	2388 x 597
Bowl Size 16" x 20" (406 x 508 mm.) L x W											
—	—	—	—	2SL1620-2D18	103	47	32	18	457	70 x 25 ¹ / ₂	1778 x 648
2N1620-2D24	101	46	35	2SL1620-2D24	112	51	35	24	610	86 x 25 ¹ / ₂	2083 x 648
Bowl Size 18" x 18" (457 x 457 mm.) L x W											
2N18-2D18	96	44	32	—	—	—	—	18	457	74 x 23 ¹ / ₂	1880 x 597
2N18-2D24	103	47	37	—	—	—	—	24	610	86 x 23 ¹ / ₂	2184 x 597
Bowl Size 18" x 24" (457 x 610 mm.) L x W											
2N1824-2D18	113	51	39	—	—	—	—	18	457	74 x 29 ¹ / ₂	1880 x 749
2N1824-2D24	122	55	45	2SL1824-2D24	139	63	49	24	610	86 x 29 ¹ / ₂	2184 x 749
—	—	—	—	2SL1824-2D30	149	68	55	30	762	98 x 29 ¹ / ₂	2489 x 749
Bowl Size 20" x 20" (508 x 508 mm.) L x W											
—	—	—	—	2SL20-2D18	150	68	50	18	457	78 x 25 ¹ / ₂	1981 x 648
2N20-2D24	150	68	53	—	—	—	—	24	610	90 x 25 ¹ / ₂	2286 x 648
—	—	—	—	2SL20-2D30	175	80	65	30	762	102 x 25 ¹ / ₂	2591 x 648
Bowl Size 24" x 24" (610 x 610 mm.) L x W											
2N24-2D24	139	63	51	2SL24-2D24	160	73	55	24	610	98 x 29 ¹ / ₂	2489 x 749
2N24-2D30	159	72	57	—	—	—	—	30	762	110 x 29 ¹ / ₂	2794 x 749
2N24-2D36	168	76	63	—	—	—	—	36	914	122 x 29 ¹ / ₂	3099 x 851
Bowl Size 20" x 28" (508 x 711 mm.) L x W											
2N2028-2D20	159	72	56	—	—	—	—	20	508	82 x 35 ¹ / ₂	2083 x 902

COMPARTMENT SINKS

3 Compartment Sinks with 1 Drainboard

- Drainboard available on right or left side (Insert R or L in model number where asterisk appears)
- Standard "N" Series: 16 Gauge 300 Series Stainless Steel
- Spec "SL" Line: 14 Gauge 300 Series Stainless Steel
- Sinks with bowls wider than 20" require two sets of faucet holes



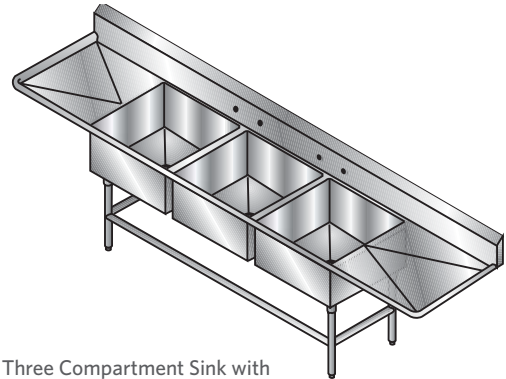
Three Compartment Sink with 1 Drainboard

Standard N Series Model No.	Approx. Weight		Cubic Ft.	Spec SL Line Model No.	Approx. Weight		Cubic Ft.	Drainboard Length		Dimensions L x W		
	(Lbs.)	(Kg.)			(Lbs.)	(Kg.)		(In.)	(mm.)	(In.)	(mm.)	
Bowl Size 16" x 18" (406 x 457 mm.) L x W												
3N1618-*D18	112	51	31	3SL1618-*D18	127	58	34	18	457	72 1/2 x 23 1/2	1842 x 597	
3N1618-*D24	116	53	34	—	—	—	—	24	610	78 1/2 x 23 1/2	1994 x 597	
Bowl Size 16" x 20" (406 x 508 mm.) L x W												
3N1620-*D18	115	52	31	3SL1620-*D18	120	55	34	18	457	72 1/2 x 25 1/2	1841 x 648	
3N1620-*D24	119	54	34	—	—	—	—	24	610	78 1/2 x 25 1/2	1994 x 648	
Bowl Size 18" x 18" (457 x 457 mm.) L x W												
—	—	—	—	3SL18-*D24	139	63	39	24	610	84 1/2 x 23 1/2	2146 x 597	
Bowl Size 18" x 24" (457 x 610 mm.) L x W												
3N1824-*D18	141	64	41	3SL1824-*D18	163	74	44	18	457	78 1/2 x 29 1/2	1994 x 749	
3N1824-*D24	145	66	44	3SL1824-*D24	169	77	48	24	610	84 1/2 x 29 1/2	2146 x 749	
3N1824-*D30	156	71	47	3SL1824-*D30	174	79	51	30	762	90 1/2 x 29 1/2	2299 x 749	
Bowl Size 20" x 20" (508 x 508 mm.) L x W												
—	—	—	—	3SL20-*D24	200	91	54	24	610	90 1/2 x 25 1/2	2299 x 648	
Bowl Size 24" x 24" (610 x 610 mm.) L x W												
—	—	—	—	3SL24-*D24	201	91	58	24	610	102 1/2 x 29 1/2	2604 x 749	
Bowl Size 20" x 28" (508 x 711 mm.) L x W												
3N2028-*D36	214	97	68	—	—	—	—	36	914	102 1/2 x 33 1/2	3366 x 851	
Bowl Size 24" x 30" (610 x 762 mm.) L x W												
—	—	—	—	3SL2430-*D24	230	105	68	24	610	102 1/2 x 35 1/2	2604 x 902	
—	—	—	—	3SL2430-*D36	245	111	76	36	914	114 1/2 x 35 1/2	2908 x 902	

*Must specify R for Right Drainboard, L for Left Drainboard

3 Compartment Sinks with 2 Drainboards

- Sinks with bowls wider than 20" require two sets of faucet holes



Three Compartment Sink with 2 Drainboards

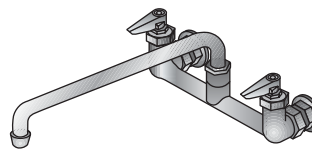
Standard N								Drainboard		Dimensions	
Series	Approx. Weight	Cubic	Spec SL	Approx. Weight	Cubic	Drainboard	Length		L x W		
Model No.	(Lbs.)	(Kg.)	Line	(Lbs.)	(Kg.)	Model No.	(In.)	(mm.)	(In.)	(mm.)	
Bowl Size 16" x 18" (406 x 457 mm.) L x W											
3N1618-2D18	121	55	38	3SL1618-2D18	139	63	40	18	457	88 x 23 1/2	2235 x 597
3N1618-2D24	128	58	43	3SL1618-2D24	147	67	46	24	610	100 x 23 1/2	2540 x 597
Bowl Size 16" x 20" (406 x 508 mm.) L x W											
3N1620-2D18	125	57	38	3SL1620-2D18	142	65	40	18	457	88 x 25 1/2	2235 x 648
3N1620-2D24	132	60	43	3SL1620-2D24	151	69	46	24	610	100 x 25 1/2	2540 x 648
Bowl Size 18" x 18" (457 x 457 mm.) L x W											
3N18-2D18	127	58	40	3SL18-2D18	146	66	43	18	457	94 x 23 1/2	2388 x 597
3N18-2D24	134	61	46	3SL18-2D24	155	70	49	24	610	106 x 23 1/2	2743 x 597
Bowl Size 18" x 24" (457 x 610 mm.) L x W											
3N1824-2D18	172	78	49	3SL1824-2D18	196	89	53	18	457	94 x 29 1/2	2388 x 749
3N1824-2D24	180	82	56	3SL1824-2D24	207	94	61	24	610	106 x 29 1/2	2743 x 749
3N1824-2D30	200	91	61	3SL1824-2D30	217	99	66	30	762	118 x 29 1/2	2997 x 749
Bowl Size 20" x 20" (508 x 508 mm.) L x W											
3N20-2D18	180	82	55	3SL20-2D18	204	93	60	18	457	100 x 25 1/2	2540 x 749
3N20-2D24	191	87	62	3SL20-2D24	220	100	69	24	610	112 x 25 1/2	2854 x 749
3N20-2D30	215	98	69	3SL20-2D30	230	105	76	30	762	124 x 25 1/2	3150 x 749
Bowl Size 24" x 24" (610 x 610 mm.) L x W											
3N24-2D24	206	94	64	3SL24-2D24	239	109	69	24	610	124 x 29 1/2	3150 x 749
3N24-2D30	226	103	71	3SL24-2D30	249	113	76	30	762	136 x 29 1/2	3454 x 749
Bowl Size 20" x 28" (508 x 711 mm.) L x W											
3N2028-2D20	186	85	61	3SL2028-2D20	219	100	69	20	508	104 x 33 1/2	2642 x 851
3N2028-2D24	206	94	68	3SL2028-2D24	229	104	77	24	610	112 x 33 1/2	2946 x 851
3N2028-2D30	225	102	75	3SL2028-2D30	239	108	84	30	762	124 x 33 1/2	3251 x 851
Bowl Size 24" x 30" (610 x 762 mm.) L x W											
3N2430-2D24	244	111	76	3SL2430-2D24	273	124	82	24	610	124 x 35 1/2	3150 x 902
3N2430-2D30	254	115	84	3SL2430-2D30	283	129	90	30	762	136 x 35 1/2	3454 x 902
Bowl Size 30" x 30" (762 x 762 mm.) L x W											
3N30-2D30	285	130	94	—	—	—	—	30	762	154 x 35 1/2	3912 x 902

COMPARTMENT SINKS

Sink Accessories

8" Center Splash Mount Faucet

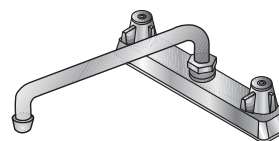
Standard Duty Model No.	Heavy Duty Model No.	Spout Size (In.)	Spout Size (mm.)
USF-8-S	FI-3251	8	203
USF-10-S	FI-3252	10	254
USF-12-S	FI-3253	12	305
USF-14-S	FI-3254	14	356



USF-10-S

8" Center Deck Mount Faucet

Standard Duty Model No.	Heavy Duty Model No.	Spout Size (In.)	Spout Size (mm.)
USF-8-D	FI-3311	8	203
USF-12-D	FI-3313	12	305



USF-12-D

Twist Handle Lever Drains

Model No.	Description
US-LD	Can be adapted for 1 1/2" or 2" drain
US-LDO	Can be adapted for 1 1/2" or 2" drain



US-LDO

Pre-Rinse Faucets & Accessories

Model No.	Description
FI-2210	Pre-Rinse Wall Mount Faucet*
KV-01	Knee Valve
FV-02	Foot Valve
GS-03	Gooseneck Spout
USFK154000	Gooseneck Faucet / 4" Center
P-TRAP	P-Trap - Chrome Plated

*Includes Wall Bracket



FI-2210

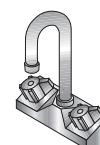


KV-01

FV-02



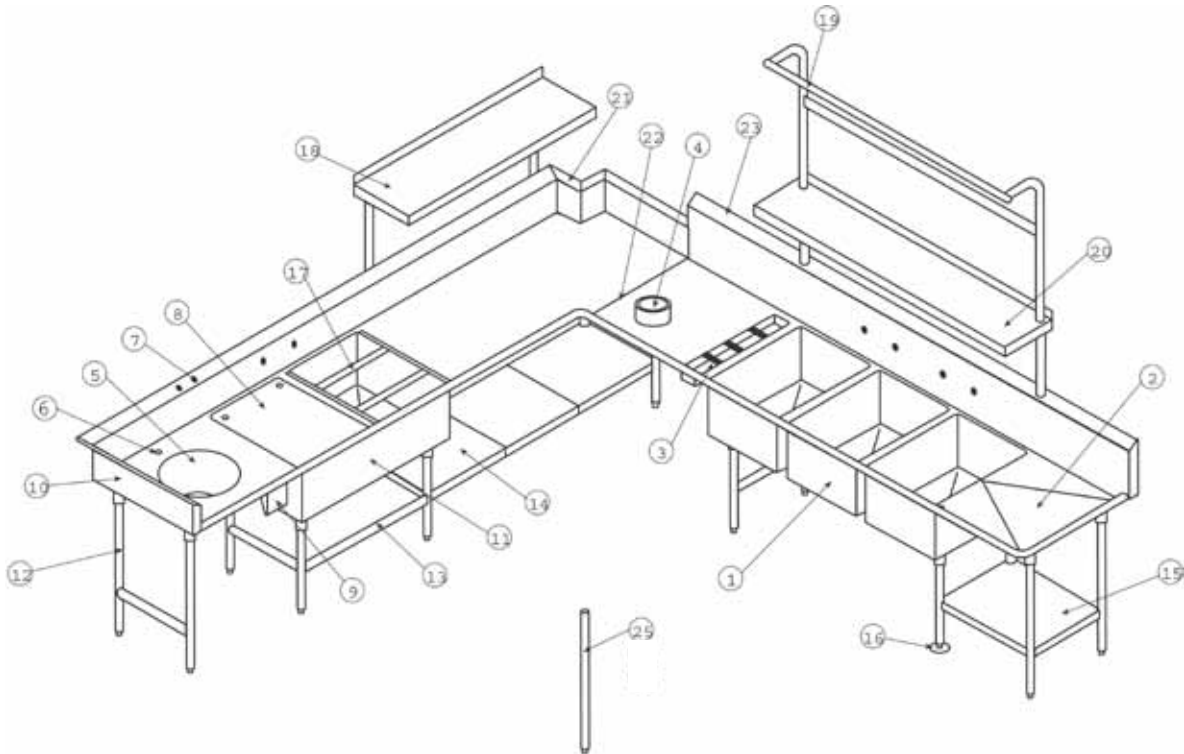
GS-03



USFK154000

Modified Sink Fabrication

- Quality custom product
- All custom sinks fabricated entirely from either 16 or 14 Gauge 300 Series Stainless Steel
- All custom sink pricing reflects Universal Stainless standard method of fabrication and complies with NSF Standard No. 2
- Complete shop drawings shall be submitted for approval after receipt of P.O.
- Contact factory for any requirements not shown



Number	Model No.	Description	Qty.
1	—	Custom fabricated sink bowls available in a variety of sizes. Contact factory.	Each
2	DTO-1	Drainboard (overall length of sink)	Lin. Ft.
3	SO-3	Quick Drain trough w/ Scrap Basket	Each
4	DTO-17	Scrap Block	Each
	DTO-17A	Die Raised Scrap Block Hole	Each
5	SO-5-CN	Disposal Cone Weldment (Cone by Others)	Each
	SO-5-CL	Disposal Collar Weldment (Collar by Others)	Each
6	SO-6	Deck Mount Pre-Rinse Hole	Each
7	SO-7	Vacuum Breaker Holes	Set

COMPARTMENT SINKS

Modified Sink Fabrication (cont'd.)

Number	Model No.		Description	Qty.
	Stainless Steel	Poly		
8	SO-8-1618	SO-8-1618-P	Sink Cover 16" x 18"	Each
	SO-8-1620	SO-8-1620-P	Sink Cover 16" x 20"	Each
	SO-8-1818	SO-8-1818-P	Sink Cover 18" x 18"	Each
	SO-8-1824	SO-8-1824-P	Sink Cover 18" x 24"	Each
	SO-8-2020	SO-8-2020-P	Sink Cover 20" x 20"	Each
	SO-8-2424	SO-8-2424-P	Sink Cover 24" x 24"	Each
	SO-8-2028	SO-8-2028-P	Sink Cover 20" x 28"	Each
	SO-8-2430	SO-8-2430-P	Sink Cover 24" x 30"	Each
	SO-8-3030	SO-8-3030-P	Sink Cover 30" x 30"	Each

Number	Model No.	Description	Qty.
9	SO-9-S	Disposer Switch Bracket 5" x 6"	Each
	SO-9-C	Disposer Control Bracket 12" x 16"	Each
10	SO-10	End Splash Standard Height 9"	Each
	SO-10-H	End Splash to 14" Height	Each
11	SO-11-2	One-Piece S/S Front for 2 Compartment Sink	Each
	SO-11-3	One-Piece S/S Front for 3 Compartment Sink	Each
12	SO-12	S/S H-Frame Legs	Each
13	SO-13	S/S Horizontal Cross Rail to 72" Max	Each
14	SO-14	S/S 16 Gauge Sectional Removable Undershelves	Lin. Ft.
15	SO-15	S/S Fixed Undershef 18 Gauge S/S	Lin. Ft.
16	TAC-4-SS	S/S Flanged Feet	Each
17	DTO-27N	S/S Rack Slide Flush Mount	Each
18	SO-18-10	Overshef 10" Wide Cantilevered Through Splash	Lin. Ft.
	SO-18-12	Overshef 12" Wide Cantilevered Through Splash	Lin. Ft.
	SO-18-14	Overshef 14" Wide Cantilevered Through Splash	Lin. Ft.
	SO-18-16	Overshef 16" Wide Cantilevered Through Splash	Lin. Ft.
19	SO-19	S/S Pot Rack w/ Hooks - Fixture Mounted	Lin. Ft.
20	SO-20	Optional 12" Overshef for Pot Rack	Lin. Ft.
21	SO-21	Notch in Back Splash	Each
22	SO-22	Field Joint - For Welding	Each
23	SO-23	Higher Back Splash to 14" Max	Lin. Ft.
		Note: Higher Splash option n/a on 30" Front to Back Bowls	
24	SO-24	14 Gauge S/S Available	Each
25	SO-LEG	S/S Legs and Feet - Must Specify Length	Each

Corner Sinks

- Designed for premium space utilization
- 9" backsplash
- 16 gauge Stainless Steel



Standard N Series Model No.	Approx. Weight		Cubic Ft.	Bowl Size L x W		Drainboard Length		Approx. Dimensions L x W	
	(Lbs.)	(Kg.)		(In.)	(mm.)	(In.)	(mm.)	(In.)	(mm.)
CS-3N1014-2D-12	100	45	33	10 x 14*	254 x 356	12	305	41 x 19 1/2	1041 x 495
CS-3N14-2D-12	110	50	35	14 x 14	356 x 356	12	305	43 x 19 1/2	1092 x 495
CS-3N16-2D-16	125	57	49	16 x 16	406 x 406	16	406	53 x 21 1/2	1346 x 546
CS-3N18-2D-18	130	59	60	18 x 18	457 x 457	18	457	59 x 23 1/2	1499 x 597
CS-3N18-2D-24	138	64	72	18 x 18	457 x 457	24	610	65 x 23 1/2	1651 x 597
CS-3N20-2D-18	140	64	72	20 x 20	508 x 508	18	457	63 x 25 1/2	1651 x 648
CS-3N1824-2D-18	140	64	72	18 x 24**	457 x 610	18	457	65 x 29 1/2	1651 x 749
CS-3N1824-2D-24	160	73	90	18 x 24**	457 x 610	24	610	71 x 29 1/2	1803 x 749
CS-3N24-2D-24	180	82	100	24 x 24	610 x 610	24	610	77 x 29 1/2	1956 x 749

* Corner Bowl Size = 14" x 14"
 ** Corner Bowl Size = 24" x 24"

Convenience Store Sinks

- Wash, rinse, and sanitize in less than six feet
- Choose from Standard Series or Spec Line
- 10" deep bowls on both Standard and Spec Line



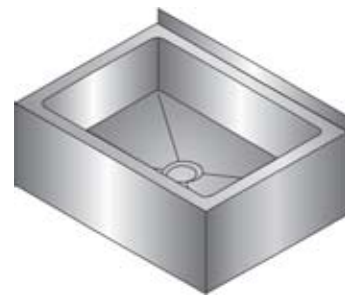
Convenience Store Sink
MS-3SL1014-2D12

Standard N Series Model No.	Approx. Weight		Cubic Ft.	Spec SL Line Model No.	Approx. Weight		Cubic Ft.	Bowl Size L x W		Drainboard Length		Dimensions L x W	
	(Lbs.)	(Kg.)			(Lbs.)	(Kg.)		(In.)	(mm.)	(In.)	(mm.)	(In.)	(mm.)
MS-3N1014-2D12	90	41	33	MS-3SL1014-2D12	99	45	20	10 x 14	254 x 356	12	305	58 x 19 1/2	1473 x 495
MS-3N1014-2D18	100	45	35	MS-3SL1014-2D18	110	50	24	10 x 14	254 x 356	18	457	70 x 19 1/2	1778 x 495
MS-3N16-2D10	140	64	49	MS-3SL16-2D10	151	69	27	16 x 16	406 x 406	10	254	72 x 21 1/2	1829 x 546

SPECIALTY SINKS

Floor Mop Sinks

Model No.	Bowl L x W x D		Approx. Wt.		Cubic Ft.
	(In.)	(mm.)	(Lbs.)	(Kg.)	
8" Deep Bowls					
MOP-1620-8	16 x 20 x 8	406 x 508 x 203	25	11	3
MOP-20-8	20 x 20 x 8	508 x 508 x 203	35	16	4
MOP-2820-8	28 x 20 x 8	711 x 508 x 203	40	18	5
12" Deep Bowls					
MOP-1620-12	16 x 20 x 12	406 x 508 x 305	45	20	4
MOP-20-12	20 x 20 x 12	508 x 508 x 305	55	25	5
MOP-2820-12	28 x 20 x 12	711 x 508 x 305	60	27	5



Floor Mop Sink
MOP-1620-8

Floor Mop Sink Accessories

Mop Hanger

Model No.	L x W		Approx. Wt.	
	(In.)	(mm.)	(Lbs.)	(Kg.)
MH-3	3 x 18	76 x 457	3	1



Mop Hanger

Service Faucet

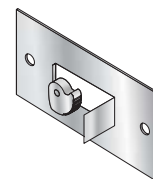
Model No.	Approx. Wt.	
	(Lbs.)	(Kg.)
SF-8	5	2



Service Faucet

Hose Hanger

Model No.	L x W		Approx. Wt.	
	(In.)	(mm.)	(Lbs.)	(Kg.)
MH-1	3 x 6	76 x 152	2	0.9



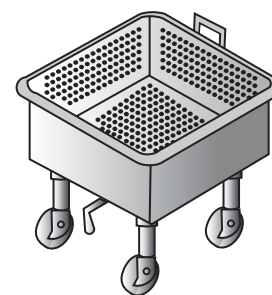
Hose Hanger

Mobile Sinks

Model No.	Bowl L x W x D		Approx. Wt.		Cubic Ft.
	(In.)	(mm.)	(Lbs.)	(Kg.)	
DTO-1620	16 x 20 x 12	406 x 508 x 305	35	16	4
DTO-2020	20 x 20 x 12	508 x 508 x 305	40	18	5
DTO-2424	24 x 24 x 12	610 x 610 x 305	50	23	6

Perforated Scrap Baskets

Model No.	L x W		Approx. Wt.	
	(In.)	(mm.)	(Lbs.)	(Kg.)
DTO-25-1620	16 x 20	406 x 508	15	7
DTO-25-2020	20 x 20	508 x 508	20	9
DTO-25-2424	24 x 24	610 x 610	22	10



Mobile Sink
DTO-2020

A complete range of high quality floor troughs available with and without anti-splash feature and with either fiberglass or stainless subway grating.

Universal® offers three widths (12", 18", & 24") and lengths from two feet to five feet in six-inch increments. Troughs can be made to order. Please contact factory for details.



Floor Trough features:

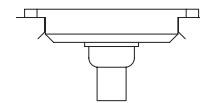
- 14 Gauge 300 Series Stainless Steel subway grating or fiberglass grating
- Cross-brake toward waste
- Available with anti-splash feature
- Subway grating constructed from 3/16" x 1" stainless steel bars
- Stainless Steel waste cup up to 3" waste pipe
- Includes 3" O.D. - 4" long plumbing sleeve



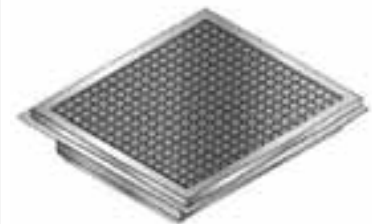
Stainless Steel Floor Trough with Subway Grating

Standard Stainless Steel Floor Troughs

Stainless Steel Subway Grating Model No.	Approx. Weight		Fiberglass Grating Model No.	Approx. Weight		L x W		Cubic Ft.
	(Lbs.)	(Kg.)		(Lbs.)	(Kg.)	(In.)	(mm.)	
12" (305 mm.) Trough Width								
UFTS-1224	36	16	UFTF-1224	26	12	24 x 12	610 x 305	3.4
UFTS-1230	45	20	UFTF-1230	33	15	30 x 12	762 x 305	4.2
UFTS-1236	54	25	UFTF-1236	39	18	36 x 12	914 x 305	5.1
UFTS-1242	63	29	UFTF-1242	46	21	42 x 12	1067 x 305	5.9
UFTS-1248	72	33	UFTF-1248	52	24	48 x 12	1219 x 305	6.1
UFTS-1254	81	37	UFTF-1254	59	27	54 x 12	1372 x 305	7.6
UFTS-1260	90	41	UFTF-1260	65	30	60 x 12	1524 x 305	8.5
18" (457 mm.) Trough Width								
UFTS-1824	44	20	UFTF-1824	32	15	24 x 18	610 x 457	4.6
UFTS-1830	55	25	UFTF-1830	40	18	30 x 18	762 x 457	5.7
UFTS-1836	66	30	UFTF-1836	48	22	36 x 18	914 x 457	6.9
UFTS-1842	77	35	UFTF-1842	56	25	42 x 18	1067 x 457	8.0
UFTS-1848	88	40	UFTF-1848	64	29	48 x 18	1219 x 457	9.2
UFTS-1854	99	45	UFTF-1854	72	33	54 x 18	1372 x 457	10.3
UFTS-1860	110	50	UFTF-1860	80	36	60 x 18	1524 x 457	11.5
24" (610 mm.) Trough Width								
UFTS-2424	56	25	UFTF-2424	40	18	24 x 24	610 x 610	5.6
UFTS-2430	70	32	UFTF-2430	50	23	30 x 24	762 x 610	7.0
UFTS-2436	84	38	UFTF-2436	60	27	36 x 24	914 x 610	8.4
UFTS-2442	98	45	UFTF-2442	70	32	42 x 24	1067 x 610	9.8
UFTS-2448	112	51	UFTF-2448	80	36	48 x 24	1219 x 610	11.2
UFTS-2454	126	57	UFTF-2454	90	41	54 x 24	1372 x 610	12.6
UFTS-2460	140	64	UFTF-2460	100	45	60 x 24	1524 x 610	14.0



Section View

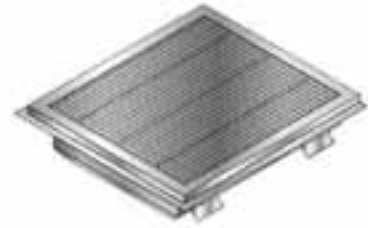


Stainless Steel Floor Trough with Fiberglass Grating

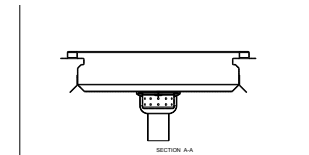
FLOOR TROUGHS

Stainless Steel Floor Troughs with Anti-Splash Feature

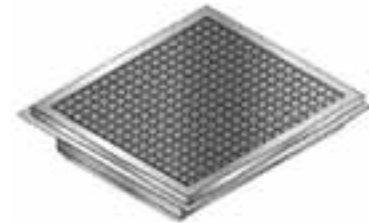
Stainless Steel Subway Grating Model No.	Approx. Weight (Lbs.) (Kg.)		Fiberglass Grating Model No.	Approx. Weight (Lbs.) (Kg.)		L x W (In.) (mm.)		Cubic Ft.
12" (305 mm.) Trough Width								
UFTAS-1224	36	16	UFTAG-1224	26	12	24 x 12	610 x 305	3.4
UFTAS-1230	45	20	UFTAG-1230	33	15	30 x 12	762 x 305	4.2
UFTAS-1236	54	25	UFTAG-1236	39	18	36 x 12	914 x 305	5.1
UFTAS-1242	63	29	UFTAG-1242	46	21	42 x 12	1067 x 305	5.9
UFTAS-1248	72	33	UFTAG-1248	52	24	48 x 12	1219 x 305	6.1
UFTAS-1254	81	37	UFTAG-1254	59	27	54 x 12	1372 x 305	7.6
UFTAS-1260	90	41	UFTAG-1260	65	30	60 x 12	1524 x 305	8.5
18" (457 mm.) Trough Width								
UFTAS-1824	44	20	UFTAG-1824	32	15	24 x 18	610 x 457	4.6
UFTAS-1830	55	25	UFTAG-1830	40	18	30 x 18	762 x 457	5.7
UFTAS-1836	66	30	UFTAG-1836	48	22	36 x 18	914 x 457	6.9
UFTAS-1842	77	35	UFTAG-1842	56	25	42 x 18	1067 x 457	8.0
UFTAS-1848	88	40	UFTAG-1848	64	29	48 x 18	1219 x 457	9.2
UFTAS-1854	99	45	UFTAG-1854	72	33	54 x 18	1372 x 457	10.3
UFTAS-1860	110	50	UFTAG-1860	80	36	60 x 18	1524 x 457	11.5
24" (610 mm.) Trough Width								
UFTAS-2424	56	25	UFTAG-2424	40	18	24 x 24	610 x 610	5.6
UFTAS-2430	70	32	UFTAG-2430	50	23	30 x 24	762 x 610	7.0
UFTAS-2436	84	38	UFTAG-2436	60	27	36 x 24	914 x 610	8.4
UFTAS-2442	98	45	UFTAG-2442	70	32	42 x 24	1067 x 610	9.8
UFTAS-2448	112	51	UFTAG-2448	80	36	48 x 24	1219 x 610	11.2
UFTAS-2454	126	57	UFTAG-2454	90	41	54 x 24	1372 x 610	12.6
UFTAS-2460	140	64	UFTAG-2460	100	45	60 x 24	1524 x 610	14.0



Anti-Splash Stainless Steel Floor Trough with Subway Grating



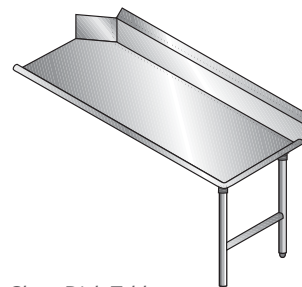
Section View



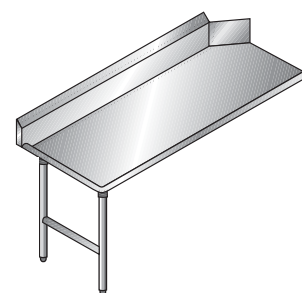
Anti-Splash Stainless Steel Floor Trough with Fiberglass Grating

Clean and Soiled Dish Tables

- Choose from two series:
 - Standard "N" Series: 16 Gauge 300 Series Stainless Steel tops and bowls
 - Spec "SL" Line: 14 Gauge 300 Series Stainless Steel tops and bowls
- All dish tables are 30" wide and have Stainless H-Frame legs
- Soiled dish tables standard with 20" x 20" x 6" pre-rinse bowl; bowl fully fabricated for full metal thickness throughout
- All welded set up design with no assembly required
- 5/8" radius on all corners for ease of cleaning
- Sanitary 180 degree rolled edges at free sides
- Tops braced with heavy gauge Stainless Steel C-channels and sound deadened
- Backsplash is integrally formed 9" high including 2" return at 45 degree angle with ends closed
- Stainless Steel under bracing locations provide solid top and minimal deflection
- Dish tables in "L" shape and corner configurations are available upon request. Please contact factory



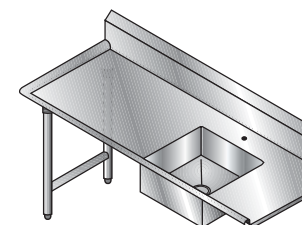
Clean Dish Table
CDT-SL-5-R



Clean Dish Table
CDT-SL-5-L

Clean Dish Tables

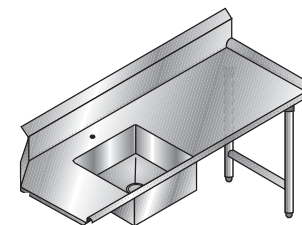
Standard N Series Model No.	Approx. Weight (Lbs.)	Approx. Weight (Kg.)	Spec SL Line Model No.	Approx. Weight (Lbs.)	Approx. Weight (Kg.)	Length (In.)	Length (mm.)	Cubic Ft.
Clean Dish Table- Left to Right								
CDT-3-R	40	18	CDT-SL-3-R	44	20	36	914	9
CDT-4-R	50	23	CDT-SL-4-R	55	25	48	1219	12
CDT-5-R	60	27	CDT-SL-5-R	66	30	60	1524	15
CDT-6-R	80	36	CDT-SL-6-R	88	40	72	1829	18
Clean Dish Table- Right to Left								
CDT-3-L	40	18	CDT-SL-3-L	44	20	36	914	9
CDT-4-L	50	23	CDT-SL-4-L	55	25	48	1219	12
CDT-5-L	60	27	CDT-SL-5-L	66	30	60	1524	15
CDT-6-L	80	36	CDT-SL-6-L	88	40	72	1829	18



Soiled Dish Table
SDT-SL-5-L

Soiled Dish Tables

Standard N Series Model No.	Approx. Weight (Lbs.)	Approx. Weight (Kg.)	Spec SL Line Model No.	Approx. Weight (Lbs.)	Approx. Weight (Kg.)	Length (In.)	Length (mm.)	Cubic Ft.
Soiled Dish Table- Left to Right								
SDT-4-L	90	41	SDT-SL-4-L	99	45	48	1219	18
SDT-5-L	100	45	SDT-SL-5-L	110	50	60	1524	23
SDT-6-L	120	55	SDT-SL-6-L	132	60	72	1829	28
SDT-7-L	130	59	SDT-SL-7-L	143	65	84	2134	32
Soiled Dish Table- Right to Left								
SDT-4-R	90	41	SDT-SL-4-R	99	45	48	1219	18
SDT-5-R	100	45	SDT-SL-5-R	110	50	60	1524	23
SDT-6-R	120	55	SDT-SL-6-R	132	60	72	1829	28
SDT-7-R	130	59	SDT-SL-7-R	143	65	84	2134	32

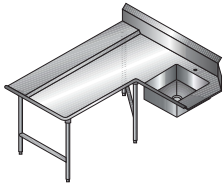


Soiled Dish Table
SDT-SL-5-R

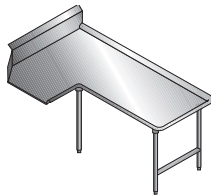
DISH TABLES

Clean and Soiled Dish Tables cont'd

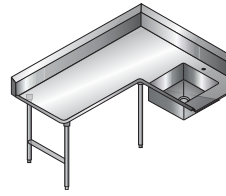
- Dish tables in "L" shape and corner configurations are available upon request. Please contact factory



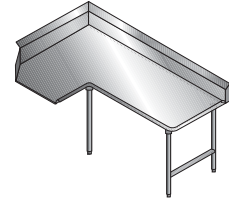
"L" Shape Soiled Dish Table



"L" Shape Clean Dish Table



Corner Design Soiled Dish Table



Corner Design Clean Dish Table

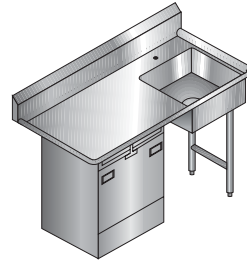
Undercounter Dish Tables

- Standard with 20" x 20" x 6" pre-rinse bowl
- Compact design for minimum space requirements
- Designed for use with any undercounter dishwasher
- Stainless Steel angle provided for securing to dishwasher
- Stainless Steel Scrap Basket and Deck Mount Pre-Rinse available

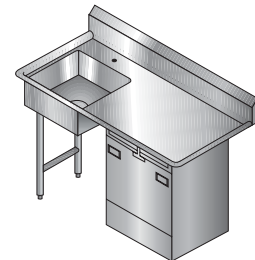


Pre-Rinse Bowl on Right

Model No.	L x W		Approx. Weight		Cubic Ft.
	(In.)	(mm.)	(Lbs.)	(Kg.)	
UCDT-52-R	52 x 30	1321 x 762	90	41	19
UCDT-60-R	60 x 30	1524 x 762	100	45	23
UCDT-72-R	72 x 30	1829 x 762	110	50	27



UCDT-60-R



UCDT-60-L

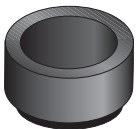
Pre-Rinse Bowl on Left

Model No.	L x W		Approx. Weight		Cubic Ft.
	(In.)	(mm.)	(Lbs.)	(Kg.)	
UCDT-52-L	52 x 30	1321 x 762	90	41	19
UCDT-60-L	60 x 30	1524 x 762	100	45	23
UCDT-72-L	72 x 30	1829 x 762	110	27	27

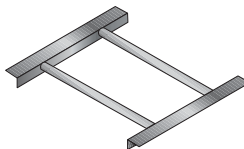
Undercounter Dish Tables

Dish Table Accessories

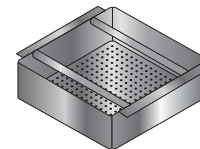
Model No.	Description	L x W		Approx. Weight		Cubic Ft.
		(In.)	(mm.)	(Lbs.)	(Kg.)	
DTO-17	Rubber Scrap Block (does not include hole)	—	—	5	2	n/a
DTO-17A	Die Raised Scrap Block Hole	—	—	—	—	n/a
DTO-27	Surface Mount Stainless Steel Rack Slide	—	—	5	2	n/a
DTO-27N	Flush Mount Stainless Steel Rack Slide	—	—	5	2	n/a
DTO-10	Stainless Steel Scrap Basket (includes Rack Slide)	19 1/2 x 19 1/2 x 6	495 x 495 x 152	25	11	2



Rubber Scrap Block
DTO-17



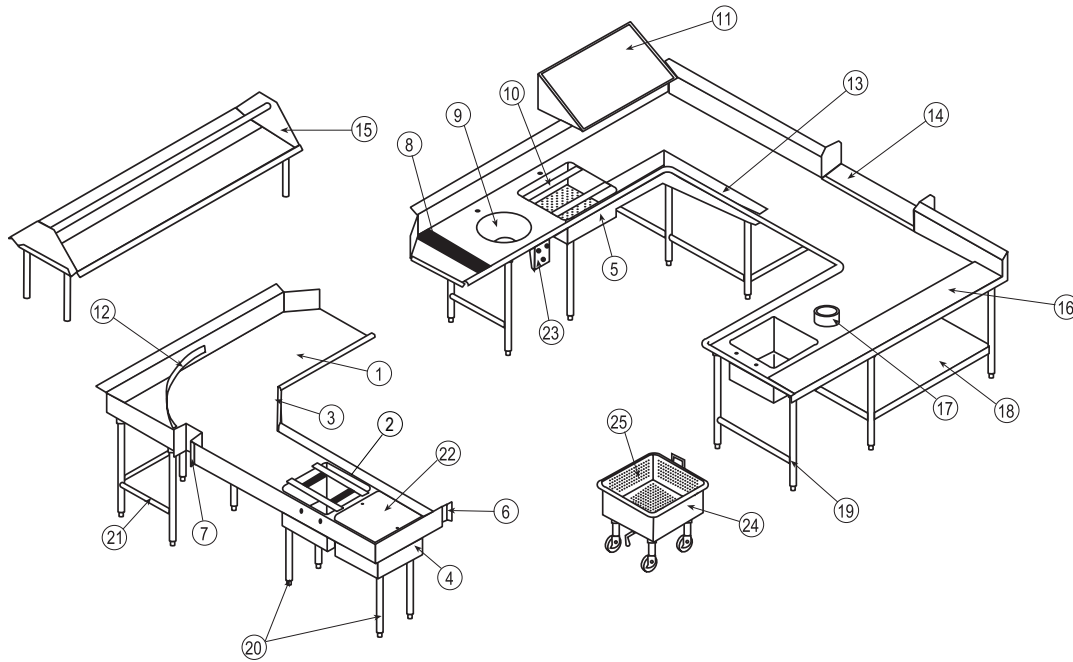
Stainless Steel Rack Slide
DTO-27



Stainless Steel Scrap Basket
DTO-10

Custom Dish Table Fabrication

- Quality custom product
- All custom dish tables fabricated entirely from either 16 or 14 Gauge 300 Series Stainless Steel
- All custom dish tables pricing reflects Universal Stainless® standard method of fabrication and shall comply with NSF Standard No. 2
- Complete shop drawings shall be submitted for approval after receipt of P.O.
- Contact factory for any requirements not shown



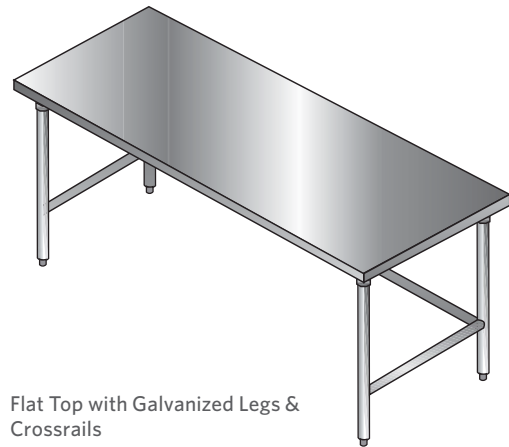
Number	Model No.	Description	Qty.
1	DTO-1	30" Wide Dish Table Top For wider tables contact factory	Lin. Ft.
2	DTO-27	Stainless Steel Rack Slide	Each
3	DTO-3	Mitre-Rolled Edge	Each
4	—	Custom fabricated sink bowls available in a variety of sizes. Contact factory.	Each
5	DTO-5	Pre-Rinse Sink Bowl 20" x 20" x 8"	Each
6	SO-10	End Splash-9"	Each
7	TAC-6	Notch in Backsplash	Each
8	SO-3	Quick Drain Trough with Scrap Basket	Each
9	SO-5-CN	Cone Weldment (Cone by Others)	Each
	SO-5-CL	Collar Weldment (Collar by Others)	Each
10	DTO-10	Stainless Steel Scrap Basket with Slides	Each
11	DTO-11-W	Slant Rack Shelf- Wall Mounted	Lin. Ft.
	DTO-11-C	Slant Rack Shelf- Cantilevered	Lin. Ft.

DISH TABLES

Custom Dish Table Fabrication (cont'd)

Number	Model No.	Description	Qty.	
12	DTO-12	Curved Rack Glide- Stainless Steel	Each	
13	DTO-13	Tapered Scrap Trough	Lin. Ft.	
14	DTO-14	Pass through Window Ledge	Lin. Ft.	
15	DTO-15	Double Rack Shelf	Lin. Ft.	
16	DTO-16	Landing Ledge	Lin. Ft.	
17	DTO-17 DTO-17A	Rubber Scrap Block Die Raised Scrap Block Hole	Each Each	
18	SO-15	Stainless Steel Fixed Undershelf- 18 Gauge, Includes legs	Lin. Ft.	
19	SO-12	Stainless Steel H-Frame Legs	Each	
20	SO-LEG	Stainless Steel Legs and Feet- must specify Lgth.	Each	
21	SO-13	Stainless Steel Horizontal Crossrail to 72" max	Each	
Stainless Steel		Poly		
22	SO-8-1618	SO-8-1618-P	Sink Cover 16" x 18"	Each
	SO-8-1620	SO-8-1620-P	Sink Cover 16" x 20"	Each
	SO-8-18	SO-8-18-P	Sink Cover-18" x 18"	Each
	SO-8-1824	SO-8-1824-P	Sink Cover-18" x 24"	Each
	SO-8-20	SO-8-20-P	Sink Cover 20" x 20"	Each
	SO-8-24	SO-8-24-P	Sink Cover 24" x 24"	Each
	SO-8-2028	SO-8-2028-P	Sink Cover 20" x 28"	Each
	SO-8-2430	SO-8-2430-P	Sink Cover 24" x 30"	Each
23	SO-9-S SO-9-C	Disposer Switch Bracket Disposer Control Panel Bracket	Each Each	
24	DTO-1620	Mobile Soak Sink 16" x 20" x 12" (with casters & lever drain)	Each	
	DTO-2020	Mobile Soak Sink 20" x 20" x 12" (with casters & lever drain)	Each	
	DTO-2424	Mobile Soak Sink 24" x 24" x 12" (with casters & lever drain)	Each	
25	DTO-25-1620 DTO-25-2020 DTO-25-2424	Perforated Scrap Basket Perforated Scrap Basket Perforated Scrap Basket	Each Each Each	
26	SO-24	14 Gauge Stainless Steel Available	—	

- Choose from two series of tables:
 - Standard "N" Series: 16 Gauge 300 Series Stainless Steel top
 - Spec "SL" Line: 14 Gauge 300 Series Stainless Steel top
- Configurations include:
 - Galvanized or Stainless Steel legs and crossrails
 - Flat Top or 6" Backsplash
 - With or without undershelf
- Available in 24" and 30" widths and a variety of lengths. Custom sizes available upon request
- Shipped welded and set up - no assembly required
- Tops braced with heavy gauge Galvanized hat channels and sound deadened
- Square edge design for clean abutment to other equipment
- Underbracing locations provide solid top and minimal deflection
- Legs: 1⁵/₈" O.D. 16 Gauge Stainless Steel or Galvanized tubing with adjustable bullet feet and Stainless Steel gussets
- Crossrails: 1⁵/₈" O.D. 16 Gauge Stainless Steel or Galvanized tubing notched to fit legs and fully welded
- Undershelves: 18 Gauge Stainless Steel or Galvanized with corners notched to fit legs and fully welded
- Standard working height is 36"
- All tables 84" and longer come standard with 6 legs



Flat Top with Galvanized Legs & Crossrails

Flat Top with Galvanized Legs & Crossrails GLC-series

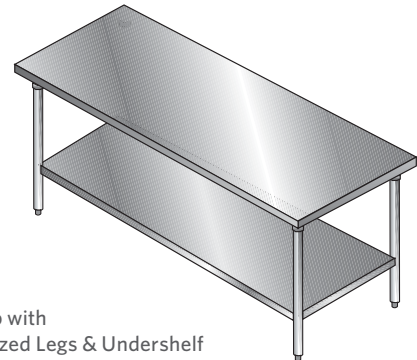
Standard "N"		Spec "S L"		Approx. Weight		L x W		Cubic
Series	Approx. Weight	Line	Approx. Weight	(Lbs.)	(Kg.)	(In.)	(mm.)	Ft.
Model No.	(Lbs.)	(Kg.)	Model No.	(Lbs.)	(Kg.)	(In.)	(mm.)	Ft.
24" Width (610 mm)								
3GLC-24	85	39	3-SL-GLC-24	95	43	36 x 24	914 x 610	24
4GLC-24	95	43	4-SL-GLC-24	110	50	48 x 24	1219 x 610	31
5GLC-24	100	45	5-SL-GLC-24	120	55	60 x 24	1524 x 610	38
6GLC-24	110	50	6-SL-GLC-24	135	61	72 x 24	1829 x 610	46
30" Width (762 mm)								
3GLC-30	90	41	3-SL-GLC-30	105	48	36 x 30	914 x 762	29
4GLC-30	100	45	4-SL-GLC-30	120	55	48 x 30	1219 x 762	38
5GLC-30	105	48	5-SL-GLC-30	130	59	60 x 30	1524 x 762	47
6GLC-30	120	55	6-SL-GLC-30	140	64	72 x 30	1829 x 762	56

WORK TABLES

Flat Top with Galvanized Legs & Undershelf

GLS-Series

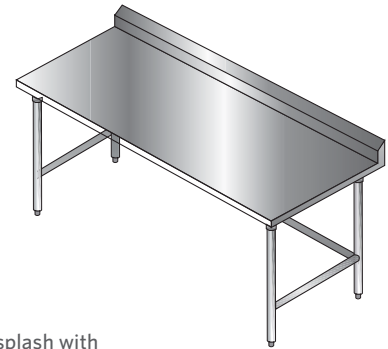
- Standard "N" Series: 16 Gauge 300 Series Stainless Steel
- Spec "SL" Line: 14 Gauge 300 Series Stainless Steel



Flat Top with Galvanized Legs & Undershelf

Standard "N"		Spec "S L"				L x W		Cubic
Series	Approx. Weight		Line	Approx. Weight		(In.)	(mm.)	Ft.
Model No.	(Lbs.)	(Kg.)	Model No.	(Lbs.)	(Kg.)			
24" Width (610 mm)								
3GLS-24	95	43	3-SL-GLS-24	104	47	36 x 24	914 x 610	24
4GLS-24	110	50	4-SL-GLS-24	120	54	48 x 24	1219 x 610	31
5GLS-24	120	55	5-SL-GLS-24	130	59	60 x 24	1524 x 610	38
6GLS-24	135	61	6-SL-GLS-24	148	67	72 x 24	1829 x 610	46
30" Width (762 mm)								
3GLS-30	105	48	3-SL-GLS-30	121	55	36 x 30	914 x 762	29
4GLS-30	120	55	4-SL-GLS-30	132	60	48 x 30	1219 x 762	38
5GLS-30	130	59	5-SL-GLS-30	143	65	60 x 30	1524 x 762	47
6GLS-30	140	64	6-SL-GLS-30	154	70	72 x 30	1829 x 762	56

6" Backsplash with Galvanized Legs & Crossrails
GLCB-Series

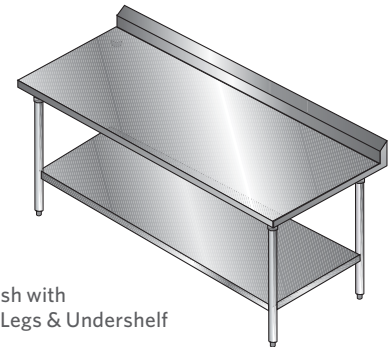


6" Backsplash with Galvanized Legs & Crossrails

- Standard "N" Series: 16 Gauge 300 Series Stainless Steel
- Spec "SL" Line: 14 Gauge 300 Series Stainless Steel

Standard "N"		Spec "S L"				L x W		Cubic
Series	Approx. Weight		Line	Approx. Weight		(In.)	(mm.)	Ft.
Model No.	(Lbs.)	(Kg.)	Model No.	(Lbs.)	(Kg.)			
24" Width (610 mm)								
3GLCB-24	90	41	3-SL-GLCB-24	105	48	36 x 24	914 x 610	27
4GLCB-24	100	45	4-SL-GLCB-24	120	54	48 x 24	1219 x 610	36
5GLCB-24	110	50	5-SL-GLCB-24	130	56	60 x 24	1524 x 610	44
6GLCB-24	120	55	6-SL-GLCB-24	135	61	72 x 24	1829 x 610	53
30" Width (762 mm)								
3GLCB-30	100	45	3-SL-GLCB-30	115	52	36 x 30	914 x 762	34
4GLCB-30	115	52	4-SL-GLCB-30	130	59	48 x 30	1219 x 762	44
5GLCB-30	140	64	5-SL-GLCB-30	155	70	60 x 30	1524 x 762	54
6GLCB-30	155	70	6-SL-GLCB-30	170	77	72 x 30	1829 x 762	64

6" Backsplash with Galvanized Legs & Undershelf
GLSB-Series



6" Backsplash with Galvanized Legs & Undershelf

- Standard "N" Series: 16 Gauge 300 Series Stainless Steel
- Spec "SL" Line: 14 Gauge 300 Series Stainless Steel

Standard "N"		Spec "S L"				L x W		Cubic
Series	Approx. Weight		Line	Approx. Weight		(In.)	(mm.)	Ft.
Model No.	(Lbs.)	(Kg.)	Model No.	(Lbs.)	(Kg.)			
24" Width (610 mm)								
3GLSB-24	100	45	3-SL-GLSB-24	110	50	36 x 24	914 x 610	27
4GLSB-24	115	52	4-SL-GLSB-24	126	57	48 x 24	1219 x 610	36
5GLSB-24	135	61	5-SL-GLSB-24	148	67	60 x 24	1524 x 610	44
6GLSB-24	150	68	6-SL-GLSB-24	165	75	72 x 24	1829 x 610	53
30" Width (762 mm)								
3GLSB-30	110	50	3-SL-GLSB-30	130	59	36 x 30	914 x 762	34
4GLSB-30	130	59	4-SL-GLSB-30	143	65	48 x 30	1219 x 762	44
5GLSB-30	140	64	5-SL-GLSB-30	155	70	60 x 30	1524 x 762	54
6GLSB-30	165	75	6-SL-GLSB-30	181	82	72 x 30	1829 x 762	64

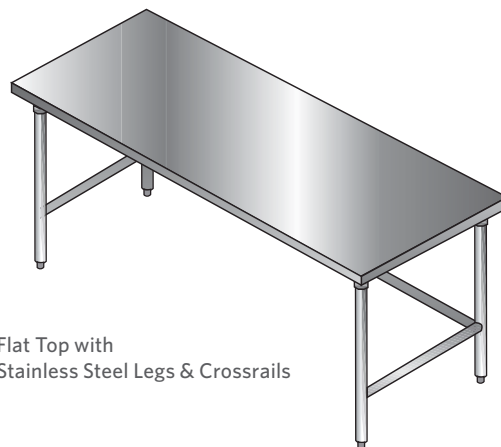
WORK TABLES

Flat Top with Stainless Steel Legs & Crossrails

SLC-Series

Standard "N" Series: 16 Gauge 300 Series Stainless Steel

- Spec "SL" Line: 14 Gauge 300 Series Stainless Steel



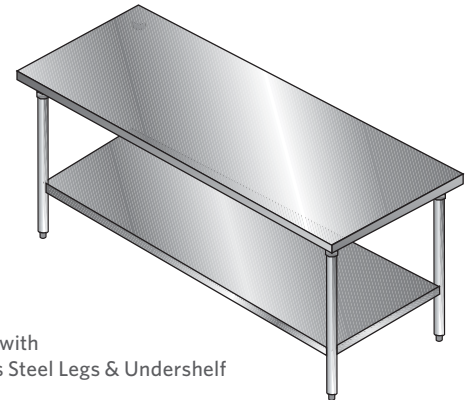
Flat Top with
Stainless Steel Legs & Crossrails

Standard "N"		Spec "SL"				L x W		Cubic
Series	Approx. Weight		Line	Approx. Weight		(In.)	(mm.)	Ft.
Model No.	(Lbs.)	(Kg.)	Model No.	(Lbs.)	(Kg.)			
24" Width (610 mm)								
2SLC-24	75	34	2-SL-SLC-24	80	36	24 x 24	610 x 610	16
3SLC-24	85	39	3-SL-SLC-24	95	43	36 x 24	914 x 610	24
4SLC-24	95	43	4-SL-SLC-24	110	50	48 x 24	1219 x 610	31
5SLC-24	100	45	5-SL-SLC-24	120	55	60 x 24	1524 x 610	38
6SLC-24	110	50	6-SL-SLC-24	130	59	72 x 24	1829 x 610	46
7SLC-24	130	59	7-SL-SLC-24	170	77	84 x 24	2134 x 610	53
8SLC-24	150	68	8-SL-SLC-24	180	82	96 x 24	2438 x 610	60
9SLC-24	170	77	9-SL-SLC-24	195	89	108 x 24	2743 x 610	68
30" Width (762 mm)								
2SLC-30	80	36	2-SL-SLC-30	85	39	24 x 30	610 x 762	20
3SLC-30	90	41	3-SL-SLC-30	105	48	36 x 30	914 x 762	29
4SLC-30	100	45	4-SL-SLC-30	120	55	48 x 30	1219 x 762	38
5SLC-30	105	48	5-SL-SLC-30	130	59	60 x 30	1524 x 762	47
6SLC-30	120	55	6-SL-SLC-30	140	64	72 x 30	1829 x 762	56
7SLC-30	150	68	7-SL-SLC-30	185	84	84 x 30	2134 x 762	65
8SLC-30	160	73	8-SL-SLC-30	200	91	96 x 30	2438 x 762	74
9SLC-30	175	80	9-SL-SLC-30	220	100	108 x 30	2743 x 762	83
36" Width (914 mm)								
2SLC-36	100	45	2-SL-SLC-36	105	48	24 x 36	610 x 914	24
3SLC-36	115	52	3-SL-SLC-36	120	55	36 x 36	914 x 914	34
4SLC-36	125	57	4-SL-SLC-36	130	59	48 x 36	1219 x 914	45
5SLC-36	130	59	5-SL-SLC-36	145	66	60 x 36	1524 x 914	55
6SLC-36	150	68	6-SL-SLC-36	160	73	72 x 36	1829 x 914	66
7SLC-36	185	84	7-SL-SLC-36	200	91	84 x 36	2134 x 914	77
8SLC-36	200	91	8-SL-SLC-36	220	100	96 x 36	2438 x 914	87
9SLC-36	220	100	9-SL-SLC-36	235	107	108 x 36	2743 x 914	98

Flat Top with
Stainless Steel Legs & Undershef

SLS-Series

- Standard "N" Series: 16 Gauge 300 Series Stainless Steel
- Spec "SL" Line: 14 Gauge 300 Series Stainless Steel



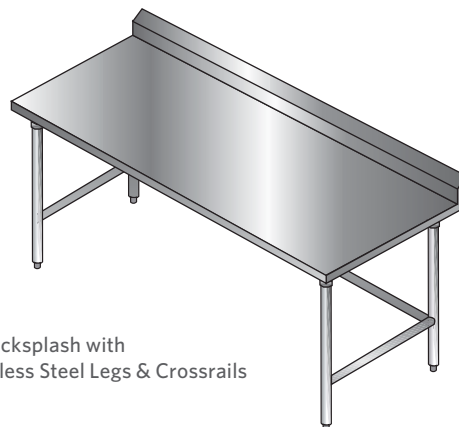
Flat Top with
Stainless Steel Legs & Undershef

Standard "N"			Spec "S L"			L x W		Cubic Ft.
Series Model No.	Approx. Weight (Lbs.)	(Kg.)	Line Model No.	Approx. Weight (Lbs.)	(Kg.)	(In.)	(mm.)	
24" Width (610 mm)								
2SLS-24	80	36	2-SL-SLS-24	85	39	24 x 24	610 x 610	16
3SLS-24	95	43	3-SL-SLS-24	100	45	36 x 24	914 x 610	24
4SLS-24	110	50	4-SL-SLS-24	115	52	48 x 24	1219 x 610	31
5SLS-24	120	55	5-SL-SLS-24	125	57	60 x 24	1524 x 610	38
6SLS-24	135	61	6-SL-SLS-24	140	64	72 x 24	1829 x 610	46
7SLS-24	160	73	7-SL-SLS-24	170	77	84 x 24	2134 x 610	53
8SLS-24	180	82	8-SL-SLS-24	185	84	96 x 24	2438 x 610	60
9SLS-24	190	86	9-SL-SLS-24	195	89	108 x 24	2743 x 610	68
30" Width (762 mm)								
2SLS-30	95	43	2-SL-SLS-30	100	45	24 x 30	610 x 762	20
3SLS-30	110	50	3-SL-SLS-30	115	52	36 x 30	914 x 762	29
4SLS-30	120	55	4-SL-SLS-30	120	55	48 x 30	1219 x 762	38
5SLS-30	130	59	5-SL-SLS-30	130	59	60 x 30	1524 x 762	47
6SLS-30	140	64	6-SL-SLS-30	140	64	72 x 30	1829 x 762	56
7SLS-30	185	84	7-SL-SLS-30	185	84	84 x 30	2134 x 762	65
8SLS-30	200	91	8-SL-SLS-30	200	91	96 x 30	2438 x 762	74
9SLS-30	215	98	9-SL-SLS-30	220	100	108 x 30	2743 x 762	83
36" Width (914 mm)								
2SLS-36	100	45	2-SL-SLS-36	105	48	24 x 36	610 x 914	24
3SLS-36	115	52	3-SL-SLS-36	120	55	36 x 36	914 x 914	34
4SLS-36	125	57	4-SL-SLS-36	130	59	48 x 36	1219 x 914	45
5SLS-36	140	64	5-SL-SLS-36	145	66	60 x 36	1524 x 914	55
6SLS-36	155	70	6-SL-SLS-36	160	73	72 x 36	1829 x 914	66
7SLS-36	195	89	7-SL-SLS-36	200	91	84 x 36	2134 x 914	77
8SLS-36	215	98	8-SL-SLS-36	220	100	96 x 36	2438 x 914	87
9SLS-36	230	105	9-SL-SLS-36	235	107	108 x 36	2743 x 914	98

WORK TABLES

6" Backsplash with Stainless Steel Legs & Crossrails SLCB-Series

- Standard "N" Series: 16 Gauge 300 Series Stainless Steel
- Spec "SL" Line: 14 Gauge 300 Series Stainless Steel



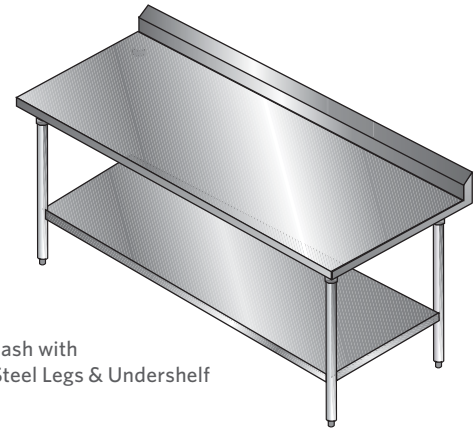
6" Backsplash with
Stainless Steel Legs & Crossrails

Standard "N" Series Model No.	Approx. Weight		Spec "S L" Line Model No.	Approx. Weight		L x W		Cubic
	(Lbs.)	(Kg.)		(Lbs.)	(Kg.)	(In.)	(mm.)	Ft.
24" Width (610 mm)								
2SLCB-24	80	36	2-SL-SLCB-24	95	43	24 x 24	610 x 610	19
3SLCB-24	90	41	3-SL-SLCB-24	105	48	36 x 24	914 x 610	27
4SLCB-24	100	45	4-SL-SLCB-24	115	52	48 x 24	1219 x 610	36
5SLCB-24	110	50	5-SL-SLCB-24	145	66	60 x 24	1524 x 610	44
6SLCB-24	120	55	6-SL-SLCB-24	155	70	72 x 24	1829 x 610	53
7SLCB-24	145	66	7-SL-SLCB-24	170	77	84 x 24	2134 x 610	61
8SLCB-24	160	73	8-SL-SLCB-24	185	84	96 x 24	2438 x 610	70
9SLCB-24	180	82	9-SL-SLCB-24	200	91	108 x 24	2743 x 610	78
30" Width (762 mm)								
2SLCB-30	85	39	2-SL-SLCB-30	105	48	24 x 30	610 x 762	23
3SLCB-30	100	45	3-SL-SLCB-30	120	54	36 x 30	914 x 762	34
4SLCB-30	115	52	4-SL-SLCB-30	135	61	48 x 30	1219 x 762	44
5SLCB-30	145	66	5-SL-SLCB-30	165	75	60 x 30	1524 x 762	54
6SLCB-30	155	70	6-SL-SLCB-30	175	80	72 x 30	1829 x 762	64
7SLCB-30	170	77	7-SL-SLCB-30	190	86	84 x 30	2134 x 762	75
8SLCB-30	185	84	8-SL-SLCB-30	205	93	96 x 30	2438 x 762	85
9SLCB-30	200	91	9-SL-SLCB-30	225	102	108 x 30	2743 x 762	95
36" Width (914 mm)								
2SLCB-36	90	41	2-SL-SLCB-36	110	50	24 x 36	610 x 914	27
3SLCB-36	105	48	3-SL-SLCB-36	125	57	36 x 36	914 x 914	40
4SLCB-36	115	52	4-SL-SLCB-36	140	64	48 x 36	1219 x 914	52
5SLCB-36	145	66	5-SL-SLCB-36	155	70	60 x 36	1524 x 914	64
6SLCB-36	155	70	6-SL-SLCB-36	180	82	72 x 36	1829 x 914	76
7SLCB-36	170	77	7-SL-SLCB-36	220	100	84 x 36	2134 x 914	88
8SLCB-36	185	84	8-SL-SLCB-36	235	107	96 x 36	2438 x 914	101
9SLCB-36	205	93	9-SL-SLCB-36	255	116	108 x 36	2743 x 914	113

6" Backsplash with
Stainless Steel Legs & Undershelf

SLSB-Series

- Standard "N" Series: 16 Gauge 300 Series Stainless Steel
- Spec "SL" Line: 14 Gauge 300 Series Stainless Steel



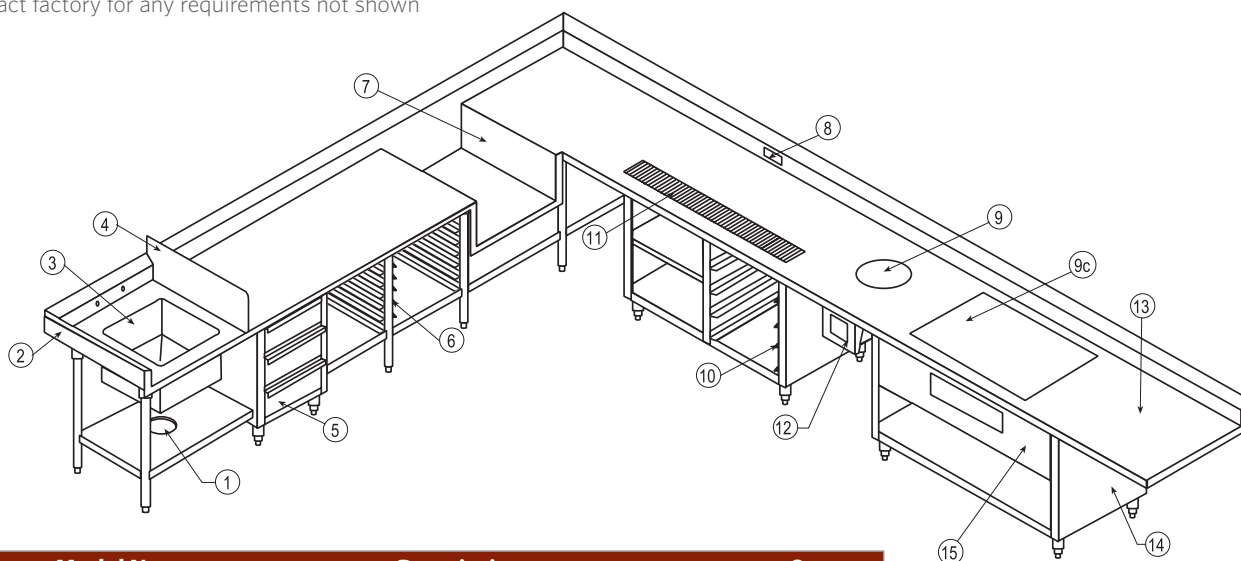
6" Backsplash with
Stainless Steel Legs & Undershelf

Standard Series	Approx. Weight		Spec "S L" Line	Approx. Weight		L x W		Cubic
Model No.	(Lbs.)	(Kg.)	Model No.	(Lbs.)	(Kg.)	(In.)	(mm.)	Ft.
24" Width (610 mm)								
2SLSB-24	85	39	2-SL-SLSB-24	105	48	24 x 24	610 x 610	19
3SLSB-24	100	45	3-SL-SLSB-24	120	54	36 x 24	914 x 610	27
4SLSB-24	115	52	4-SL-SLSB-24	135	61	48 x 24	1219 x 610	36
5SLSB-24	135	61	5-SL-SLSB-24	155	70	60 x 24	1524 x 610	44
6SLSB-24	150	68	6-SL-SLSB-24	170	77	72 x 24	1829 x 610	53
7SLSB-24	175	80	7-SL-SLSB-24	200	91	84 x 24	2134 x 610	61
8SLSB-24	200	91	8-SL-SLSB-24	220	100	96 x 24	2438 x 610	70
9SLSB-24	210	95	9-SL-SLSB-24	230	104	108 x 24	2743 x 610	78
30" Width (762 mm)								
2SLSB-30	100	45	2-SL-SLSB-30	120	54	24 x 30	610 x 762	23
3SLSB-30	110	50	3-SL-SLSB-30	130	59	36 x 30	914 x 762	34
4SLSB-30	130	59	4-SL-SLSB-30	150	68	48 x 30	1219 x 762	44
5SLSB-30	140	64	5-SL-SLSB-30	160	73	60 x 30	1524 x 762	54
6SLSB-30	165	75	6-SL-SLSB-30	185	84	72 x 30	1829 x 762	64
7SLSB-30	195	89	7-SL-SLSB-30	220	100	84 x 30	2134 x 762	75
8SLSB-30	215	98	8-SL-SLSB-30	235	107	96 x 30	2438 x 762	85
9SLSB-30	225	102	9-SL-SLSB-30	250	113	108 x 30	2743 x 762	95
36" Width (914 mm)								
2SLSB-36	105	48	2-SL-SLSB-36	125	56	24 x 36	610 x 914	27
3SLSB-36	120	55	3-SL-SLSB-36	145	66	36 x 36	914 x 914	40
4SLSB-36	135	61	4-SL-SLSB-36	155	70	48 x 36	1219 x 914	52
5SLSB-36	145	66	5-SL-SLSB-36	165	75	60 x 36	1524 x 914	64
6SLSB-36	170	77	6-SL-SLSB-36	190	86	72 x 36	1829 x 914	76
7SLSB-36	205	93	7-SL-SLSB-36	225	102	84 x 36	2134 x 914	88
8SLSB-36	220	100	8-SL-SLSB-36	240	109	96 x 36	2438 x 914	101
9SLSB-36	240	109	9-SL-SLSB-36	260	118	108 x 36	2743 x 914	113

WORK TABLES

Modified Work Table Fabrication

- Quality custom product
- All custom work tables fabricated entirely from either 16 or 14 Gauge 300 Series Stainless Steel
- All custom work tables pricing reflects Universal Stainless® standard method of fabrication and shall comply with NSF Standard No. 2
- Complete shop drawings shall be submitted to you for your approval after receipt of P.O.
- Contact factory for any requirements not shown



Number	Model No.	Description	Qty.
1	TAC-DO-1	Cut-Out in Underself - 6" Diameter	Each
2	TAC-5	End Splash	Each
	TAC-5-24	Cap and Finish for End Splash*	Each
	TAC-5-30	Cap and Finish for End Splash*	Each
3		Custom fabricated sink bowls available in a variety of sizes. Contact factory.	Each
4	TAC-ESI	Integral Splash Guard for Sinks - 10" x Table Width	Each
5	TAC-3T-15-S	3 Tier Set Drawers - Stainless Steel - 15" x 20"	Each
	TAC-3T-20-S	3 Tier Set Drawers - Stainless Steel - 20" x 20"	Each
6	TAC-PS1	Stainless Steel Pan Rack Slides	One Set
7	TAC-7	Elevation Change in Top	Each
8	TAC-10	Receptacle Box in Splash	Each
9	TAC-9A	Cut - Out less than 6"	Each
	TAC-9B	Cut - Out up to 20"	Each
	TAC-9C	Cut - Out Custom Size	Each
10	TAC-6RS	Glass Rack Slides (Only)	One Section
11	TAC-8	Urn Trough	Lin. Ft.
12	TAC-CB-1	Control Bracket	Each
13	TAC-TE-24	Top Extension - 24"	Lin. Ft.
	TAC-TE-30	Top Extension - 30"	Lin. Ft.
	TAC-TE-36	Top Extension - 36"	Lin. Ft.
14	TAC-CBT	Enclosed Base Cabinet Sections	Each
15	TAC-11	Skirted Front	Lin. Ft.

* Does not include End Splash

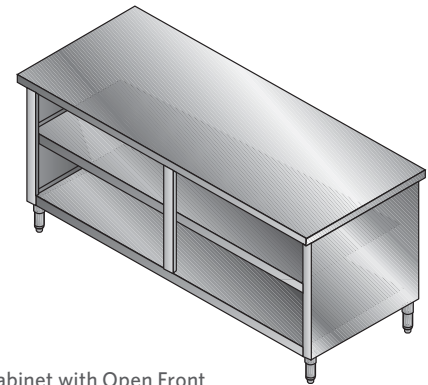
Cabinet Base Tables

- Available with open front and sliding or hinged doors; flat top and 6" backsplash
- Choose from 24" and 30" widths, 4' to 10' lengths
- Height is 36"
- All include one mid-shelf
- Uni-body design includes die formed rear and end panels welded to undershelves to achieve rigid one piece unit
- Top: 16 Gauge 300 Series Stainless Steel
- Body and Shelves: 18 Gauge 300 Series Stainless Steel
- Legs: 6" high Stainless Steel with adjustable bullet feet
- Doors: (if applicable) double pan, die formed and suspended with overhead track and ball bearing rollers with recessed pulls



Open Front with Flat Top

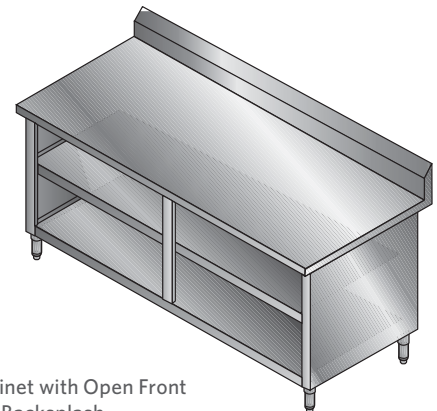
Model No.	Approx. Wt.		L x W		Cubic Ft.
	(Lbs.)	(Kg.)	(In.)	(mm.)	
24" Width (610 mm)					
4CBT-24	100	45	48 x 24	1219 x 610	24
5CBT-24	125	57	60 x 24	1524 x 610	30
6CBT-24	150	68	72 x 24	1829 x 610	36
7CBT-24	175	80	84 x 24	2134 x 610	42
8CBT-24	200	91	96 x 24	2438 x 610	48
10CBT-24	245	111	120 x 24	3048 x 610	60
30" Width (762 mm)					
4CBT-30	125	57	48 x 30	1219 x 762	30
5CBT-30	156	71	60 x 30	1524 x 762	38
6CBT-30	188	85	72 x 30	1829 x 762	45
7CBT-30	219	99	84 x 30	2134 x 762	53
8CBT-30	250	113	96 x 30	2438 x 762	60
10CBT-30	306	139	120 x 30	3048 x 762	75



Cabinet with Open Front and Flat Top

Open Front with 6" Backsplash

Model No.	Approx. Wt.		L x W		Cubic Ft.
	(Lbs.)	(Kg.)	(In.)	(mm.)	
24" Width (610 mm)					
4CBT-24B	105	48	48 x 24	1219 x 610	28
5CBT-24B	130	59	60 x 24	1524 x 610	35
6CBT-24B	155	70	72 x 24	1829 x 610	42
7CBT-24B	180	82	84 x 24	2134 x 610	49
8CBT-24B	205	93	96 x 24	2438 x 610	56
10CBT-24B	250	114	120 x 24	3048 x 610	70
30" Width (762 mm)					
4CBT-30B	131	59	48 x 30	1219 x 762	35
5CBT-30B	163	73	60 x 30	1524 x 762	44
6CBT-30B	194	88	72 x 30	1829 x 762	53
7CBT-30B	225	102	84 x 30	2134 x 762	61
8CBT-30B	256	116	96 x 30	2438 x 762	80
10CBT-30B	313	142	120 x 30	3048 x 762	88



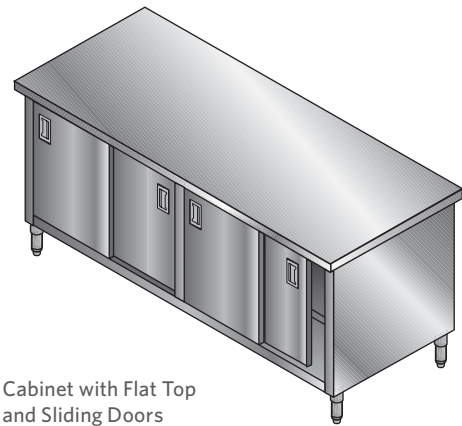
Cabinet with Open Front and Backsplash

CABINETS

Cabinet Base Tables (cont'd)

Flat Top with Sliding Doors

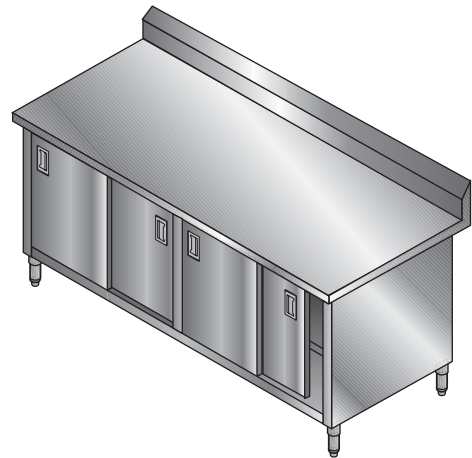
Model No.	Approx. Wt.		L x W		Cubic
	(Lbs.)	(Kg.)	(In.)	(mm.)	Ft.
24" Width (610 mm)					
4CBT-24D	120	55	48 x 24	1219 x 610	24
5CBT-24D	150	68	60 x 24	1524 x 610	30
6CBT-24D	180	82	72 x 24	1829 x 610	36
7CBT-24D	210	95	84 x 24	2134 x 610	42
8CBT-24D	240	109	96 x 24	2438 x 610	48
10CBT-24D	300	136	120 x 24	3048 x 610	60
30" Width (762 mm)					
4CBT-30D	150	68	48 x 30	1219 x 762	30
5CBT-30D	188	85	60 x 30	1524 x 762	38
6CBT-30D	225	102	72 x 30	1829 x 762	45
7CBT-30D	263	119	84 x 30	2134 x 762	53
8CBT-30D	300	136	96 x 30	2438 x 762	60
10CBT-30D	375	170	120 x 30	3048 x 762	75



Cabinet with Flat Top and Sliding Doors

6" Backsplash with Sliding Doors

Model No.	Approx. Wt.		L x W		Cubic
	(Lbs.)	(Kg.)	(In.)	(mm.)	Ft.
24" Width (610 mm)					
4CBT-24BD	125	57	48 x 24	1219 x 610	28
5CBT-24BD	155	70	60 x 24	1524 x 610	35
6CBT-24BD	185	84	72 x 24	1829 x 610	42
7CBT-24BD	215	98	84 x 24	2134 x 610	49
8CBT-24BD	245	111	96 x 24	2438 x 610	56
10CBT-24BD	315	143	120 x 24	3048 x 610	70
30" Width (762 mm)					
4CBT-30BD	156	71	48 x 30	1219 x 762	35
5CBT-30BD	194	88	60 x 30	1524 x 762	44
6CBT-30BD	231	105	72 x 30	1829 x 762	53
7CBT-30BD	169	122	84 x 30	2134 x 762	62
8CBT-30BD	306	138	96 x 30	2438 x 762	72
10CBT-30BD	394	179	120 x 30	3048 x 762	88



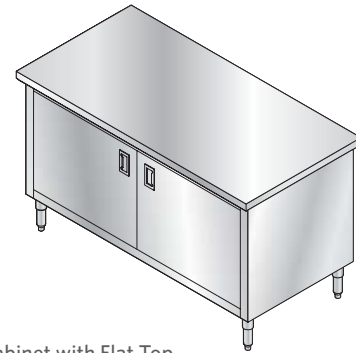
Cabinet with Backsplash and Sliding Doors

Cabinet Base Tables (cont'd)



Flat Top with Hinged Doors

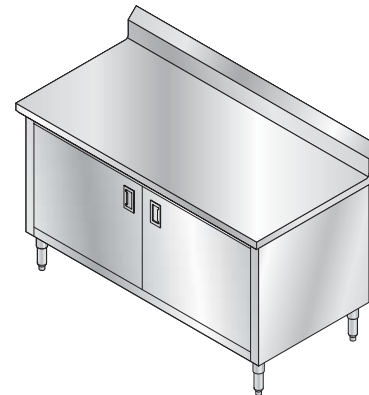
Model No.	Approx. Wt.		L x W		Cubic Ft.
	(Lbs.)	(Kg.)	(In.)	(mm.)	
24" Width (610 mm)					
4CBT-24HD	120	55	48 x 24	1219 x 610	24
5CBT-24HD	150	68	60 x 24	1524 x 610	30
6CBT-24HD	180	82	72 x 24	1829 x 610	36
7CBT-24HD	210	95	84 x 24	2134 x 610	42
8CBT-24HD	240	109	96 x 24	2438 x 610	48
10CBT-24HD	300	136	120 x 24	3048 x 610	60
30" Width (762 mm)					
4CBT-30HD	150	68	48 x 30	1219 x 762	30
5CBT-30HD	188	85	60 x 30	1524 x 762	38
6CBT-30HD	225	102	72 x 30	1829 x 762	45
7CBT-30HD	236	119	84 x 30	2134 x 762	53
8CBT-30HD	300	136	96 x 30	2438 x 762	60
10CBT-30HD	375	170	120 x 30	3048 x 762	75



Cabinet with Flat Top and Hinged Doors

6" Backsplash with Hinged Doors

Model No.	Approx. Wt.		L x W		Cubic Ft.
	(Lbs.)	(Kg.)	(In.)	(mm.)	
24" Width (610 mm)					
4CBT-24BHD	125	57	48 x 24	1219 x 610	28
5CBT-24BHD	155	70	60 x 24	1524 x 610	35
6CBT-24BHD	185	84	72 x 24	1829 x 610	42
7CBT-24BHD	215	98	84 x 24	2134 x 610	49
8CBT-24BHD	245	111	96 x 24	2438 x 610	56
10CBT-24BHD	315	143	120 x 24	3048 x 610	70
30" Width (762 mm)					
4CBT-30BHD	156	71	48 x 30	1219 x 762	35
5CBT-30BHD	194	88	60 x 30	1524 x 762	44
6CBT-30BHD	231	105	72 x 30	1829 x 762	53
7CBT-30BHD	269	122	84 x 30	2134 x 762	62
8CBT-30BHD	306	138	96 x 30	2438 x 762	72
10CBT-30BHD	394	178	120 x 30	3048 x 762	88



Cabinet with Backsplash and Hinged Doors

CABINETS

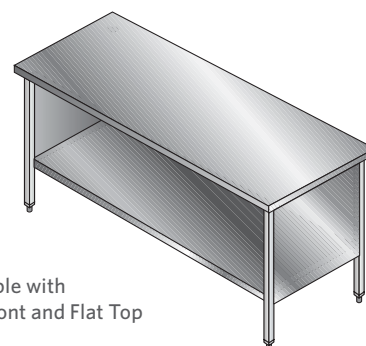
Economy Line Enclosed Base Tables

- Available with open front and sliding doors, flat top and 6" backsplash
- Choose from 24" and 30" widths, 4' to 10' length
- Height is 36"
- Top: 16 Gauge 300 Series Stainless Steel
- Body and Shelves: 18 Gauge 300 Series Stainless Steel, rear and side panels die formed and welded to legs for rigidity. Undershelf die formed and welded to rear and side panels
- Legs: 1½" Stainless Steel square tubing with adjustable bullet feet
- Backsplash: 6" high including 2" return at 45 degree angle with ends closed
- Doors: Single pan construction, suspended with overhead track and ball bearing rollers with recessed pulls



Open Front with Flat Top

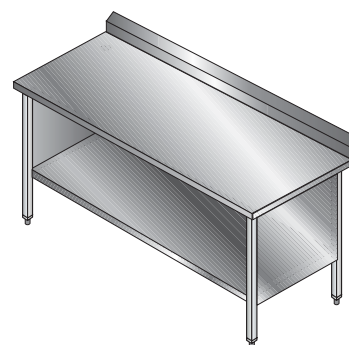
Model No.	L x W		Approx. Wt.		Cubic Ft.
	(In.)	(mm.)	(Lbs.)	(Kg.)	
24" Width (610 mm)					
4EET-24	48 x 24	1219 x 610	100	45	24
5EET-24	60 x 24	1524 x 610	125	57	30
6EET-24	72 x 24	1829 x 610	150	68	36
7EET-24	84 x 24	2134 x 610	175	80	42
8EET-24	96 x 24	2438 x 610	200	91	48
10EET-24	120 x 24	3048 x 610	245	111	60
30" Width (762 mm)					
4EET-30	48 x 30	1219 x 762	125	57	30
5EET-30	60 x 30	1524 x 762	156	71	38
6EET-30	72 x 30	1829 x 762	188	85	45
7EET-30	84 x 30	2134 x 762	219	99	53
8EET-30	96 x 30	2438 x 762	260	127	60
10EET-30	120 x 30	3048 x 762	306	138	75



Base Table with Open Front and Flat Top

Open Front with 6" Backsplash

Model No.	L x W		Approx. Wt.		Cubic Ft.
	(In.)	(mm.)	(Lbs.)	(Kg.)	
24" Width (610 mm)					
4EET-24B	48 x 24	1219 x 610	105	48	28
5EET-24B	60 x 24	1524 x 610	130	59	35
6EET-24B	72 x 24	1829 x 610	155	70	42
7EET-24B	84 x 24	2134 x 610	180	82	49
8EET-24B	96 x 24	2438 x 610	205	93	56
10EET-24B	120 x 24	3048 x 610	255	116	70
30" Width (762 mm)					
4EET-30B	48 x 30	1219 x 762	131	59	35
5EET-30B	60 x 30	1524 x 762	163	74	43
6EET-30B	72 x 30	1829 x 762	194	88	53
7EET-30B	84 x 30	2134 x 762	225	102	61
8EET-30B	96 x 30	2438 x 762	256	116	70
10EET-30B	120 x 30	3048 x 762	319	145	88



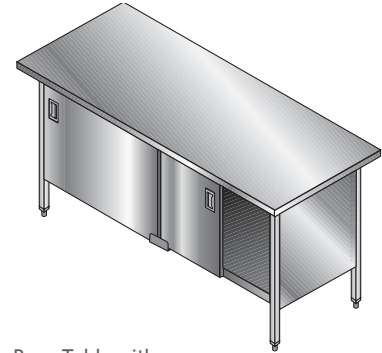
Base Table with Open Front and Backsplash

Economy Line Enclosed Base Tables (cont'd)

Sliding Doors with Flat Top



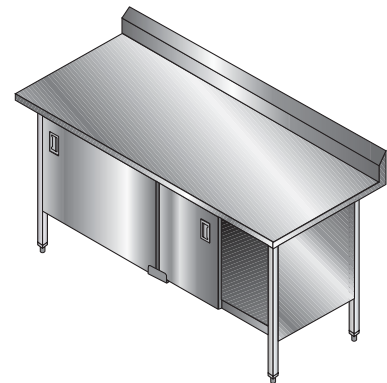
Model No.	L x W		Approx. Wt.		Cubic
	(In.)	(mm.)	(Lbs.)	(Kg.)	Ft.
24" Width (610 mm)					
4EET-24D	48 x 24	1219 x 610	120	55	24
5EET-24D	60 x 24	1524 x 610	150	68	30
6EET-24D	72 x 24	1829 x 610	180	82	36
7EET-24D	84 x 24	2134 x 610	210	95	42
8EET-24D	96 x 24	2438 x 610	240	109	43
10EET-24D	120 x 24	3048 x 610	300	136	60
30" Width (762 mm)					
4EET-30D	48 x 30	1219 x 762	150	72	30
5EET-30D	60 x 30	1524 x 762	188	85	38
6EET-30D	72 x 30	1829 x 762	225	102	45
7EET-30D	84 x 30	2134 x 762	263	119	53
8EET-30D	96 x 30	2438 x 762	300	136	60
10EET-30D	120 x 30	3048 x 762	375	170	75



Base Table with Sliding Door and Flat Top

Sliding Doors with 6" Backsplash

Model No.	L x W		Approx. Wt.		Cubic
	(In.)	(mm.)	(Lbs.)	(Kg.)	Ft.
24" Width (610 mm)					
4EET-24BD	48 x 24	1219 x 610	125	57	28
5EET-24BD	60 x 24	1524 x 610	155	70	35
6EET-24BD	72 x 24	1829 x 610	185	84	42
7EET-24BD	84 x 24	2134 x 610	215	98	49
8EET-24BD	96 x 24	2438 x 610	245	111	56
10EET-24BD	120 x 24	3048 x 610	315	143	70
30" Width (762 mm)					
4EET-30BD	48 x 30	1219 x 762	156	71	35
5EET-30BD	60 x 30	1524 x 762	194	88	43
6EET-30BD	72 x 30	1829 x 762	231	105	53
7EET-30BD	84 x 30	2134 x 762	261	118	61
8EET-30BD	96 x 30	2438 x 762	306	139	70
10EET-30BD	120 x 30	3048 x 762	394	178	88



Base Table with Sliding Doors and Backsplash

CABINETS

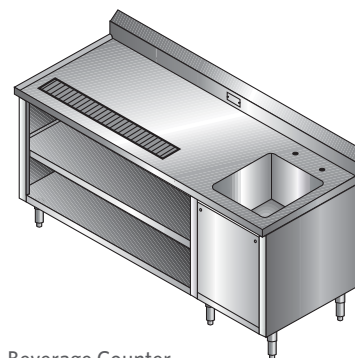
Beverage Counters

- Top: 16 Gauge 300 Series Stainless Steel
- Body and Undershelves: 18 Gauge 300 Series Stainless Steel
- Legs: Stainless Steel with adjustable bullet feet
- One-piece die formed top with integral splash and inverted "V" no-drip edge to contain spillage
- 16" x 18" x 12" sink bowl integral with top
- 1" x 5" urn trough is integral with top and supplied with anti-splash grate
- Trough is furnished with 1" Stainless Steel drain fitting
- 2" x 4" receptacle box is supplied in splash for mounting of electrical components
- Removable panel on cabinet body provides easy access to plumbing components
- Glass rack slides provide convenient storage for dish racks or glasses and cups



Model No.	L x W		Approx. Weight		Cubic Ft.
	(In.)	(mm.)	(Lbs.)	(Kg.)	
BC-48*	48 x 30	1219 x 762	180	82	41
BC-60*	60 x 30	1524 x 762	235	107	52
BC-72*	72 x 30	1829 x 762	265	120	62
BC-84*	84 x 30	2134 x 762	295	134	72
BC-96*	96 x 30	2438 x 762	325	148	93

*Specify R for bowl on right, L for bowl on left.



Beverage Counter

Beverage Counter with Rack Slides

Model No.	L x W		Approx. Weight		Cubic Ft.
	(In.)	(mm.)	(Lbs.)	(Kg.)	
BCRS-48*	48 x 30	1219 x 762	185	84	41
BCRS-60*	60 x 30	1524 x 762	240	109	52
BCRS-72*	72 x 30	1829 x 762	270	123	62
BCRS-84*	84 x 30	2134 x 762	300	136	72
BCRS-96*	96 x 30	2438 x 762	330	150	93

*Specify R for bowl on right, L for bowl on left.



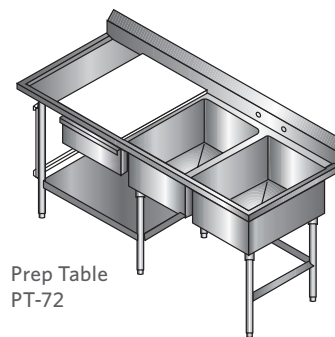
Beverage Counter with Rack Slides

Beverage Counter Options

Model No.	Description	Qty.
TAC-8	Urn Troughs	Lin. Ft.
TAC-6RS	Dish Rack Slides-for Open Section	Section
TAC -10	Receptacle Box in Splash	Each

Prep Tables

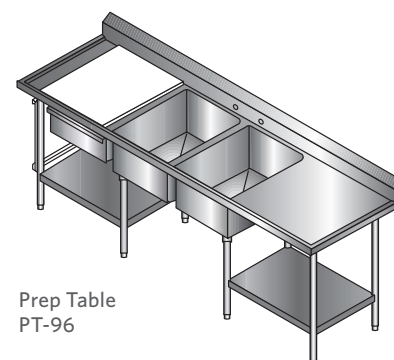
- 16 Gauge 300 Series Stainless Steel top with 6" rear splash
- 18" x 24" x 12" sink bowls for high volume food preparation
- Stainless Steel construction, including legs, crossrails and undershelf
- Includes poly cutting board with storage slides
- No drip marine edges at all free sides
- Self closing drawer for utensil storage



Prep Table PT-72

Model No.	L x W		Approx Weight		Cubic Ft.
	(In.)	(mm.)	(Lbs.)	(Kg.)	
*PT-72	72 x 30	1829 x 762	175	80	61
*PT-84	84 x 30	2134 x 762	200	91	72
PT-96	96 x 30	2438 x 762	225	102	83

*Specify bowl location - Right or Left



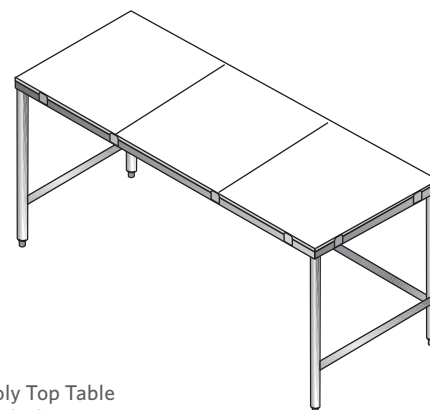
Prep Table PT-96

Poly Top Tables

- Available with and without undershelf, with flat top and 6" backsplash
- Available in 30" width and 4' to 10' lengths
- Table frame fabricated from 1½" square 16 Gauge 300 Series Stainless Steel tubing
- Base fully welded 1⅝" Stainless Steel tubing legs and crossrails with Stainless Steel adjustable bullet feet
- ⅝" thick poly top, NSF and USDA approved high density polyethylene
- Tops are sectional and removable per NSF standard No. 2
- 6" backsplash and deck formed from one-piece Stainless Steel and welded
- Crossrails are 1⅝" O.D. Stainless Steel tubing notched to fit legs and fully welded
- Undershelf is 18 Gauge Stainless Steel with corners notched to fit legs and fully welded
- Ships fully welded and set up

Flat Top with Stainless Steel Legs and Crossrails

Model No.	L x W		Approx. Wt.		Cubic Ft.
	(In.)	(mm.)	(Lbs.)	(Kg.)	
4MCT-30	48 x 30	1219 x 762	95	43	36
5MCT-30	60 x 30	1524 x 762	120	55	45
6MCT-30	72 x 30	1829 x 762	145	66	54
7MCT-30	84 x 30	2134 x 762	170	77	63
8MCT-30	96 x 30	2438 x 762	190	86	72
9MCT-30	108 x 30	2743 x 762	215	98	81
10MCT-30	120 x 30	3048 x 762	240	109	95

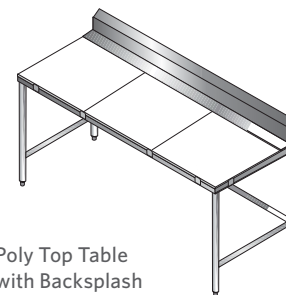


Poly Top Table with Flat Top

SPECIALTY TABLES

Poly Top Tables (cont'd)

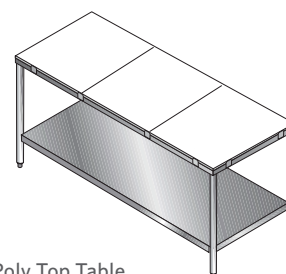
6" Backsplash with Stainless Steel Legs and Crossrails



Poly Top Table with Backsplash

Model No	L x W		Approx. Wt.		Cubic Ft.
	(In.)	(mm.)	(Lbs.)	(Kg.)	
4MCT-B30	48 x 30	1219 x 762	95	43	41
5MCT-B30	60 x 30	1524 x 762	120	55	51
6MCT-B30	72 x 30	1829 x 762	145	66	61
7MCT-B30	84 x 30	2134 x 762	170	77	71
8MCT-B30	96 x 30	2438 x 762	190	86	81
9MCT-B30	108 x 30	2743 x 762	215	98	91
10MCT-B30	120 x 30	3048 x 762	240	109	102

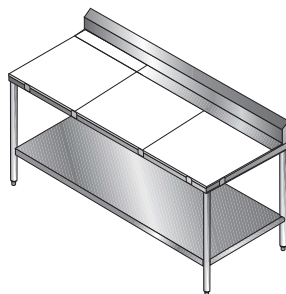
Flat Top with Stainless Steel Legs and Undershelf



Poly Top Table with Undershelf

Model No	L x W		Approx. Wt.		Cubic Ft.
	(In.)	(mm.)	(Lbs.)	(Kg.)	
4MCT-30U	48 x 30	1219 x 762	125	57	36
5MCT-30U	60 x 30	1524 x 762	150	68	45
6MCT-30U	72 x 30	1829 x 762	175	80	54
7MCT-30U	84 x 30	2134 x 762	200	91	63
8MCT-30U	96 x 30	2438 x 762	225	102	72
9MCT-30U	108 x 30	2743 x 762	245	111	81
10MCT-30U	120 x 30	3048 x 762	265	120	95

6" Backsplash with Stainless Steel Legs & Undershelf

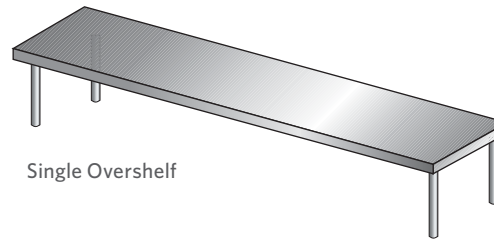


Poly Top Table with Backsplash and Undershelf

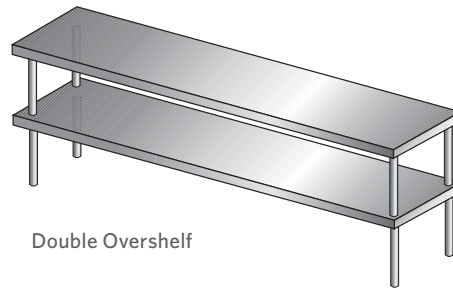
Model No.	L x W		Approx. Weight		Cubic Ft.
	(In.)	(mm.)	(Lbs.)	(Kg.)	
4MCT-B30U	48 x 30	1219 x 762	125	57	41
5MCT-B30U	60 x 30	1524 x 762	150	68	51
6MCT-B30U	72 x 30	1829 x 762	175	80	61
7MCT-B30U	84 x 30	2134 x 762	200	91	71
8MCT-B30U	96 x 30	2438 x 762	225	102	81
9MCT-B30U	108 x 30	2743 x 762	245	111	91
10MCT-B30U	120 x 30	3048 x 762	265	120	102

Table Mount Shelves - Single or Double Overshelf

- Available in single and double overshelf
- Sold by the linear foot
- Manufactured from 16 Gauge 300 Series Stainless Steel with all sides formed down 1½" at 90 degrees and back ½" at 45 degrees
- Legs are made from 1⅝" Stainless Steel tubing
- Standard shelf height for single overshelf is 18". For double overshelf, it is 18" from table to first shelf and 14" from first shelf to second shelf
- Shelves 84" or longer require 6 legs
- Factory mounting includes die raised holes in table top. Unless specified otherwise, overshelf will be centered on table
- Mounting hardware supplied. Overshelves ordered for tables will be shipped separately and are not mounted to tables



Single Overshelf

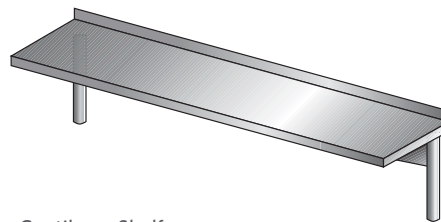


Double Overshelf

Model No.	Shelf Width		Weight Per Linear Foot	
	(In.)	(mm.)	(Lbs.)	(Kg.)
Single Overshelf				
TSS-18-10	10	254	3	1.4
TSS-18-12	12	305	4	1.8
TSS-18-14	14	356	5	2.3
TSS-18-16	16	406	6	2.7
Double Overshelf				
TSD-18-10	10	254	6	2.7
TSD-18-12	12	305	8	3.6
TSD-18-14	14	356	10	4.5
TSD-18-16	16	406	12	5.5

Cantilever Shelves

- Manufactured from 16 Gauge 300 Series Stainless Steel with rear turned up 2"
- Front and ends formed down 1½" at 90 degrees and back ½" at 45 degrees
- Shelves are supported with 1⅝" O.D. Stainless Steel tubing and 16 Gauge brackets
- Shelves 84" or longer require 6 legs
- Cantilever shelves require factory installation



Cantilever Shelf

Model No.	Shelf Width		Weight Per Linear Foot	
	(In.)	(mm.)	(Lbs.)	(Kg.)
COS-18-10	10	254	4	1.8
COS-18-12	12	305	5	2.3
COS-18-14	14	356	6	2.7
COS-18-16	16	406	7	3.2

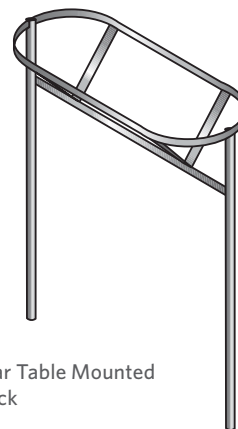
TABLE ACCESSORIES

Circular Table Mounted Pot Racks

- All Stainless Steel construction
- Racks are mounted through table tops and secured to undershelf or crossrails
- Pot rack bars ($\frac{3}{16}$ " x 2" Stainless Steel) are fully welded to $1\frac{7}{8}$ " O.D. tubing which slips over $1\frac{5}{8}$ " upright supports
- Pot rack overall length is 6" shorter than table length
- Stainless Steel pot hooks supplied, three every 12"



Model No.	Length		Approx. Weight		Cubic Ft.
	(In.)	(mm.)	(Lbs.)	(Kg.)	
TPR-48-S	42	1067	35	16	14
TPR-60-S	54	1372	39	18	18
TPR-72-S	66	1676	43	20	21
TPR-84-S	78	1981	50	23	24
TPR-96-S	90	2286	56	25	28
TPR-108-S	102	2591	61	28	31
TPR-120-S	114	2896	66	30	35

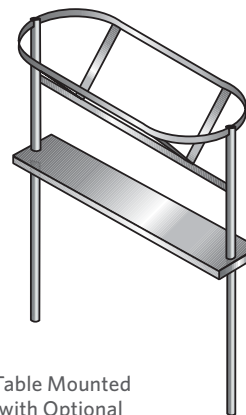


Circular Table Mounted Pot Rack

Optional Shelves for Pot Racks

- Manufactured from 16 Gauge 300 Series Stainless Steel
- Adjustable in height
- Available in 12" width, and 4' to 10' lengths
- Circular Table Mounted Pot Rack sold separately

Model No.	W x L		Approx. Weight		Cubic Ft.
	(In.)	(mm.)	(Lbs.)	(Kg.)	
PRS-1248	12 x 48	305 x 1219	18	8	2
PRS-1260	12 x 60	305 x 1524	23	10	3
PRS-1272	12 x 72	305 x 1829	28	13	3
PRS-1284	12 x 84	305 x 2134	33	15	4
PRS-1296	12 x 96	305 x 2438	38	17	4
PRS-12108	12 x 108	305 x 2743	43	20	5
PRS-12120	12 x 120	305 x 3048	48	22	5

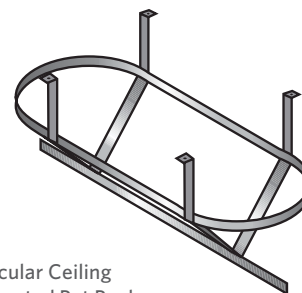


Circular Table Mounted Pot Rack with Optional Shelf

Circular Ceiling Mounted Pot Racks

- All Stainless Steel construction
- Choose from 4' to 8' lengths
- Pot rack bars fabricated from $\frac{3}{16}$ " x 2" flat bar
- Ceiling mount support bars are 24" long
- Stainless Steel pot hooks supplied, three every 12"

Model No.	Length		Approx. Weight		Cubic Ft.
	(In.)	(mm.)	(Lbs.)	(Kg.)	
PR-C-48-S	48	1219	34	15	14
PR-C-60-S	60	1524	39	18	18
PR-C-72-S	72	1829	44	20	21
PR-C-84-S	84	2134	49	22	24
PR-C-96-S	96	2438	54	25	28

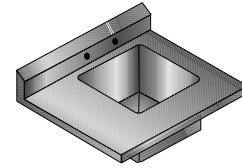


Circular Ceiling Mounted Pot Rack

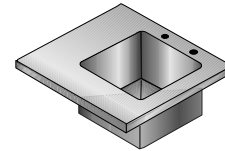
Sink Bowls Integral with Table Tops



Model No.	L x W x H		Approx. Weight	
	(In.)	(mm.)	(Lbs.)	(Kg.)
SB-161812	16 x 18 x 12	406 x 457 x 305	20	9
SB-162012	16 x 20 x 12	406 x 508 x 305	21	10
SB-181812	18 x 18 x 12	457 x 457 x 305	22	10
SB-182412	18 x 24 x 12	457 x 610 x 305	30	14
SB-202012	20 x 20 x 12	508 x 508 x 305	25	11
SB-242412	24 x 24 x 12	610 x 610 x 305	35	16
SB-202812	20 x 28 x 12	508 x 711 x 305	33	15
SB-243012	24 x 30 x 12	610 x 762 x 305	39	18
SB-303012	30 x 30 x 12	762 x 762 x 305	43	20



Sink Bowl Integral with Table Top (shown with Splash Mount Holes)

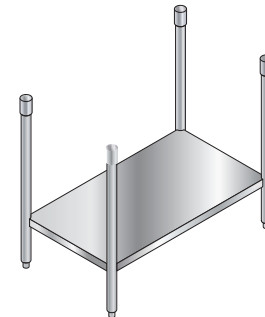


Sink Bowl Integral with Table Top (shown with Deck Mount Holes)

Stainless Steel Undershelf

- 18 Gauge Stainless Steel
- Sold by the linear foot

Model No.	Description	Approx. Weight	
		(Lbs.)	(Kg.)
DTO-US-24	24" Wide Shelf	4	2
DTO-US-30	30" Wide Shelf	5	2

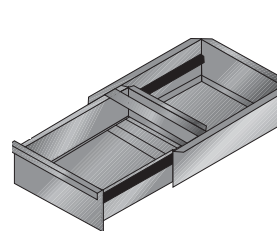


Undershelf
DTO-US-30

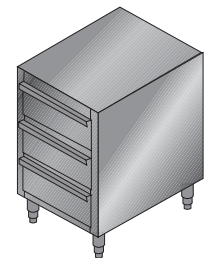
Roller Bearing Drawers

- Lock included
- The Enclosed 3-Tier drawer unit includes a Stainless Steel top if ordered as a stand-alone unit. Unit does not include top when integral with table

Model No.	Description Pan Type	L x W		Approx. Weight	
		(In.)	(mm.)	(Lbs.)	(Kg.)
Single Drawer - Self-Closing Design					
TAC-1520-S	Stainless Steel	15 x 20	381 x 508	20	9
TAC-2020-S	Stainless Steel	20 x 20	508 x 508	25	11
Enclosed 3-Tier Drawer Unit					
TAC-3T-15-S	Stainless Steel	15 x 20	381 x 508	110	50
TAC-3T-20-S	Stainless Steel	20 x 20	508 x 508	125	57



TAC-1520-S

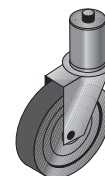


TAC-3T-15-S

Casters

- 2 brakes per set

Model No.	Description	Qty.
TAC-1-4	Set /4 ; 5" Diameter	Each
TAC-2-6	Set /6 ; 5" Diameter	Each

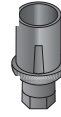


TAC-1-4

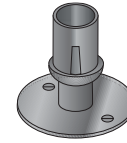
TABLE ACCESSORIES

Bullet Feet

Model No.	Description	Qty.
TAC-3-SS	Stainless Steel Bullet Feet	Each
TAC-4-SS	Flanged Stainless Steel Bullet Feet	Each



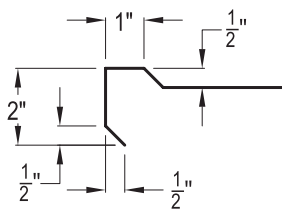
TAC-3-SS



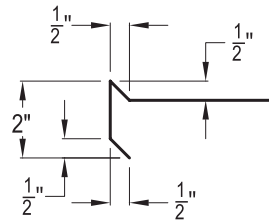
TAC-4-SS

Table Edges - Optional

Model No.	Description	Qty.
TAC-ME	Marine Edge	Linear Ft.
TAC-IVE	Inverted Edge	Linear Ft.
TAC-RE	Rolled Edge	Linear Ft.
TAC-BN	Bull Nose Edge	Linear Ft.



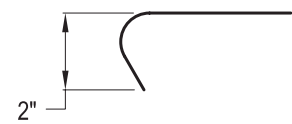
Marine Edge TAC-ME



Inverted V Edge TAC-IVE



Rolled Edge TAC-RE

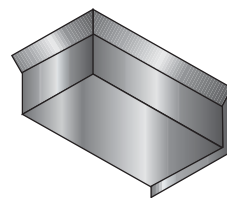


Bull Nose Edge TAC-BN

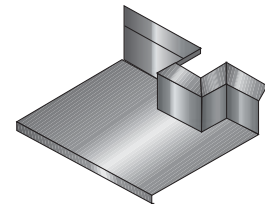
Table Options

Model No.	Description	Qty.
TAC-5	End Splash	Each
TAC-5-24	Cap & Finish for End Splash*	Each
TAC-5-30	Cap & Finish for End Splash*	Each
TAC-6	Splash Cut-Out	Each
TAC-7	Step Down in Top	Each
TAC-8	Urn Trough	Linear Ft.
TAC-9A	Table Cut-Out Less Than 6" Each	Each
TAC-9B	Table-Cut Out up to 20"	Each
TAC-9C	Table-Cut Out over 20" x 20"	Each
TAC-10	Receptacle Box MTD in Splash	Each

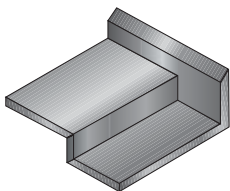
* Does not include End Splash



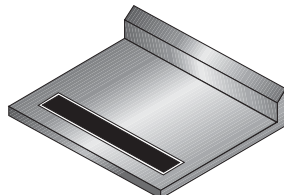
End Splash
TAC-5



Splash Cut-Out
TAC-6



Step Down in Top
TAC-7



Urn Trough
TAC-8

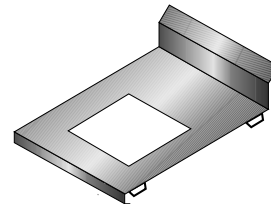
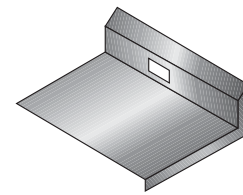


Table Cut-Out
TAC-9B



Receptacle Box
MTD in Splash
TAC-10

Locks

Model No.	Description	Approx. Weight	
		(Lbs.)	(Kg.)
Lock-H	Hinged Doors	1	0.2
Lock-S	Sliding Doors	1	0.2

The Dura-Line collection of professional bar equipment is engineered for years of trouble-free performance. All equipment is 16 gauge 300 Series Stainless Steel with Stainless Steel legs.

Complete line includes:

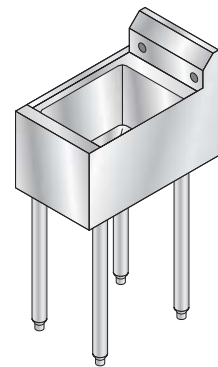
- Hand Sinks - optional splashes and soap & towel dispensers available
- Compartment Sinks - 3 & 4 compartment underbar sinks with 1 or 2 drainboards
- Cocktail Stations - with Standard and High Capacity bowl depths and covers sealed in cold plates
- Pass-Thru Cocktail Stations
- Blender Stations - with or without sinks
- Speed Rails - available in two styles: keyhole and hanging
- Bottle Display Units - 3-tier storage in lengths from 18 to 36 inches
- Drainboards with Dish Rack Storage - available with open base and enclosed base
- Accessories



Hand Sinks

- 29" height
- Faucet and overflow tube included

Model No.	Overall Size L x W		Bowl Size L x W x D		Weight		Cubic Ft.
	(In.)	(mm.)	(In.)	(mm.)	(Lbs.)	(Kg.)	
DLHS-12	12 x 20	305 x 508	10 x 14 x 10	254 x 356 x 254	48	22	2.8
DLHS-12R	12 x 20	305 x 508	10 x 14 x 10	254 x 356 x 254	51	25	2.8
DLHS-12L	12 x 20	305 x 508	10 x 14 x 10	254 x 356 x 254	51	25	2.8
DLHS-12RL	12 x 20	305 x 508	10 x 14 x 10	254 x 356 x 254	55	26	2.8

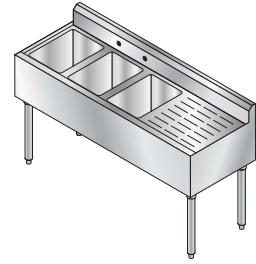


Hand Sink

BAR EQUIPMENT

Underbar Compartment Sinks

- All welded construction for strength
- Front and side marine edges eliminate dripping
- Complete with 4" backsplash and basket-type waste drains
- Faucets and overflow tubes included

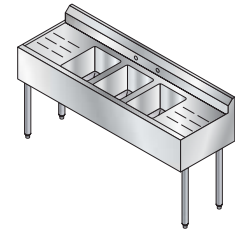


3 Bowl Underbar Sink with 1 Drainboard

3 Bowl Underbar Sink

Model No.	Bowl Size		Length		No. Comp.	Drainboard Size		Weight		Cubic Ft.
	(In.)	L x W x D (mm.)	(In.)	(mm.)		(In.)	(mm.)	(Lbs.)	(Kg.)	
One Drainboard										
DL3-48-*D12	10 x 14 x 10	254 x 356 x 254	48	1219	3	12	305	72	31	11.0
DL3-54-*D18	10 x 14 x 10	254 x 356 x 254	54	1372	3	18	457	79	35	13.0
DL3-60-*D24	10 x 14 x 10	254 x 356 x 254	60	1524	3	24	610	83	37	14.0
DL3-66-*D30	10 x 14 x 10	254 x 356 x 254	66	1676	3	30	762	90	41	17.0
Two Drainboards										
DL3-60-2D12	10 x 14 x 10	254 x 356 x 254	60	1524	3	12	305	85	39	14.0
DL3-72-2D18	10 x 14 x 10	254 x 356 x 254	72	1829	3	18	457	93	42	17.0
DL3-84-2D24	10 x 14 x 10	254 x 356 x 254	84	2134	3	24	610	100	45	20.0
DL3-96-2D30	10 x 14 x 10	254 x 356 x 254	96	2438	3	30	762	110	50	22.0

*Please specify R for Right Drainboard, L for Left Drainboard.

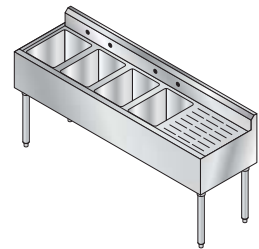


3 Bowl Underbar Sink with 2 Drainboards

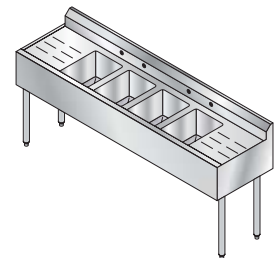
4 Bowl Underbar Sink

Model No.	Bowl Size		Length		No. Comp.	Drainboard Size		Weight		Cubic Ft.
	(In.)	L x W x D (mm.)	(In.)	(mm.)		(In.)	(mm.)	(Lbs.)	(Kg.)	
One Drainboard										
DL4-60-*D12	10 x 14 x 10	254 x 356 x 254	60	1524	4	12	305	92	42	14.0
DL4-66-*D18	10 x 14 x 10	254 x 356 x 254	66	1676	4	18	457	94	43	16.0
DL4-72-*D24	10 x 14 x 10	254 x 356 x 254	72	1829	4	24	610	98	44	17.0
Two Drainboards										
DL4-72-2D12	10 x 14 x 10	254 x 356 x 254	72	1829	4	12	305	105	48	16.0
DL4-84-2D18	10 x 14 x 10	254 x 356 x 254	84	2134	4	18	457	110	50	17.0
DL4-96-2D24	10 x 14 x 10	254 x 356 x 254	96	2438	4	24	610	120	55	19.0

*Please specify R for Right Drainboard, L for Left Drainboard.



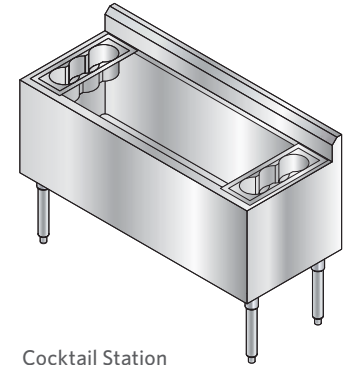
4 Bowl Underbar Sink with 1 Drainboard



4 Bowl Underbar Sink with 2 Drainboards

Cocktail Stations

- Ice bin: 2" insulation on bottom; 1" on sides
- Includes 6 bottle wells for speedy service
- Optional 8 circuit sealed-in cold plate available. Add - 8C to model number

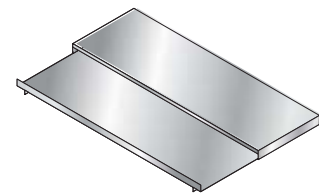


Cocktail Station

Model No.	Bowl Depth		L x W x H		Weight		Cubic Ft.
	(In.)	(mm.)	(In.)	(mm.)	(Lbs.)	(Kg.)	
Standard Capacity- 8" Deep Bin							
DLCS-24	8	203	24 x 20 x 29	610 x 508 x 737	45	20	5.6
DLCS-30	8	203	30 x 20 x 29	762 x 508 x 737	55	25	7
DLCS-36	8	203	36 x 20 x 29	914 x 508 x 737	65	30	8.4
DLCS-48	8	203	48 x 20 x 29	1219 x 508 x 737	80	36	11.2
High Capacity- 14" Deep Bin							
DLCS-24-HC	14	356	24 x 20 x 29	610 x 508 x 737	60	27	6.5
DLCS-30-HC	14	356	30 x 20 x 29	762 x 508 x 737	73	33	8
DLCS-36-HC	14	356	36 x 20 x 29	914 x 508 x 737	86	39	9.6
DLCS-48-HC	14	356	48 x 20 x 29	1219 x 508 x 737	106	48	12.8

Ice Chest Cover

- 300 Series Stainless Steel cover for ice bins



Ice Chest Cover

Model No.	L x W		Weight	
	(In.)	(mm.)	(Lbs.)	(Kg.)
ICC-24	24 x 16	610 x 406	7	3
ICC-30	30 x 16	762 x 406	9	4
ICC-36	36 x 16	914 x 406	11	5
ICC-48	48 x 16	1219 x 406	13	6

Pass-Thru Cocktail Stations

- 300 Series Stainless Steel
- Designed for 2-sided bar operation

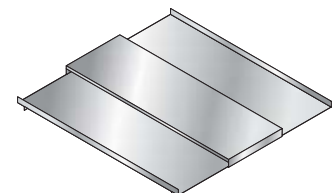


Pass-Thru Cocktail Station

Model No.	L x W x D		Weight		Cubic Ft.
	(In.)	(mm.)	(Lbs.)	(Kg.)	
PTCS-2436	24 x 36 x 29	610 x 914 x 356	84	38	7.0
PTCS-2442	24 x 42 x 29	610 x 1067 x 356	106	48	8.0

Sliding Cover for Pass-Thru Cocktail Stations

- Operational from both sides



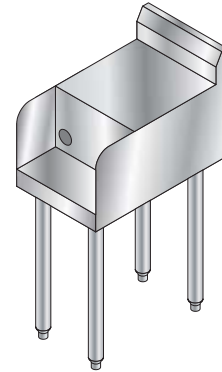
Sliding Cover for Pass-Thru Cocktail Station

Model No.	L x W x D		Weight		Cubic Ft.
	(In.)	(mm.)	(Lbs.)	(Kg.)	
PTCS-2436-C	24 x 36 x 2	610 x 914 x 51	15	7	1.0
PTCS-2442-C	24 x 42 x 2	610 x 1067 x 51	17	8	1.2

BAR EQUIPMENT

Blender Stations

- Open top shelf holds drinks and bar items
- Spacious lower shelf for blender and drink preparation
- Built-in power cord hole for added safety



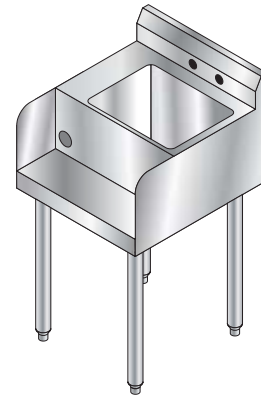
Blender Station

Standard Blender Station

Model No.	L x W		Weight		Cubic Ft.
	(In.)	(mm.)	(Lbs.)	(Kg.)	
DL-BS-12	12 x 20	305 x 508	25	11	2.5
DL-BS-18	18 x 20	457 x 508	37	17	3.75

Blender Station with Sink

Model No.	Bowl Size L x W x D		Overall Size L x W		Weight		Cubic Ft.
	(In.)	(mm.)	(In.)	(mm.)	(Lbs.)	(Kg.)	
DL-BS-14S	12 x 6 x 6	305 x 203 x 152	14 x 20	356 x 508	40	18	2.5
DL-BS-18S	12 x 6 x 6	305 x 203 x 152	18 x 20	457 x 508	45	20	3.7



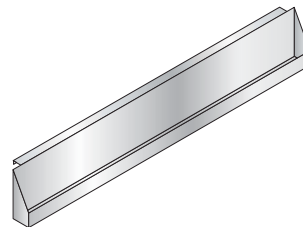
Blender Station with Sink

Speed Rails

- Available in single and double row styles
- Available in keyhole and hanging styles. Insert K or H in model number where asterisk appears.
- Efficient access to bottled items
- 18 gauge Stainless Steel; open bottom for easy cleaning
- Order length desired up to 60"
- Security cover available - please contact factory

Model No. Single Row	Model No. Double Row	Size	
		(In.)	(mm.)
SSR*-18	DSR*-18	18	457
SSR*-24	DSR*-24	24	610
SSR*-30	DSR*-30	30	762
SSR*-36	DSR*-36	36	914
SSR*-42	DSR*-42	42	1067
SSR*-48	DSR*-48	48	1219
SSR*-60	DSR*-60	60	1524

* Specify Keyhole or Hanging Style - K or H



Hanging Speed Rail



Keyhole Speed Rail

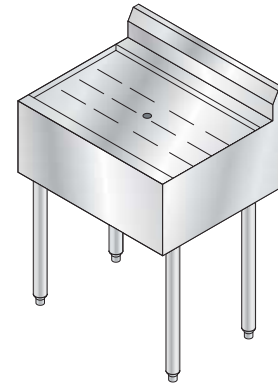
Drainboards

- 4" integrally formed backsplash
- One piece die formed top
- Surface embossed and raised for efficient drainage
- Embossed surface keeps items from slipping
- 1" brass waste drain included



Standard Drainboard

Model No.	L x W		Weight		Cubic Ft.
	(In.)	(mm.)	(Lbs.)	(Kg.)	
DLDB-12	12 x 20	305 x 508	20	9	2.8
DLDB-18	18 x 20	457 x 508	25	11	4.2
DLDB-24	24 x 20	610 x 508	30	14	5.6
DLDB-30	30 x 20	762 x 508	35	16	7.0
DLDB-36	36 x 20	914 x 508	40	18	8.4
DLDB-48	48 x 20	1219 x 508	45	20	11.2

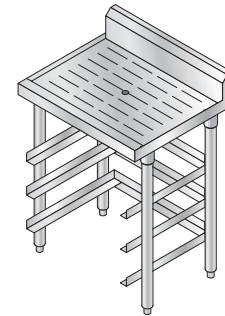


Standard Drainboard

Drainboard with Rack Storage - Open Base

- 3 each 11½" x 11½" Stainless Steel slides; 8" clearance

Model No.	L x W		Weight		Cubic Ft.
	(In.)	(mm.)	(Lbs.)	(Kg.)	
DLDBO-24	24 x 20	610 x 508	70	32	10.9
DLDBO-30	30 x 20	762 x 508	75	34	13.5
DLDBO-36	36 x 20	914 x 508	80	36	16.2
DLDBO-48*	48 x 20	1219 x 508	85	39	19.2
DLDBO-60*	60 x 20	1524 x 508	90	41	24.0

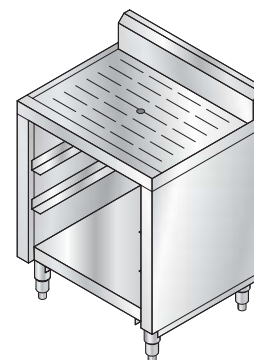


Drainboard with Rack Storage and Open Base

Drainboard with Rack Storage - Enclosed Base

- 4" high integrally formed backsplash
- 8" clearance between slides
- 2-sided enclosed unibody base (optional closed back available)

Model No.	L x W		Weight		Cubic Ft.
	(In.)	(mm.)	(Lbs.)	(Kg.)	
DLDBE-24	24 x 20	610 x 508	90	41	10.9
DLDBE-30	30 x 20	762 x 508	105	48	13.5
DLDBE-36	36 x 20	914 x 508	110	50	16.2
DLDBE-48*	48 x 20	1219 x 508	125	57	19.2



Drainboard with Rack Storage and Enclosed Base

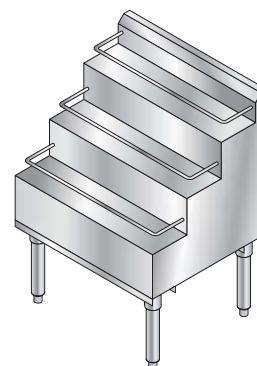
BAR EQUIPMENT

Bottle Display Units

- Plenty of storage in 3 tiers
- Bottle rails 1/2" Stainless Steel round bars
- Solid bottle ledges, easily accessible for cleaning



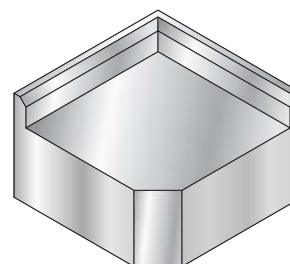
Model No.	L x W		Weight		Cubic Ft.
	(In.)	(mm.)	(Lbs.)	(Kg.)	
DLBD-18	18 x 20	457 x 508	40	18	4.5
DLBD-24	24 x 20	610 x 508	55	25	6
DLBD-36	36 x 20	914 x 508	85	39	9



Bottle Display Unit

Bar Equipment Accessories

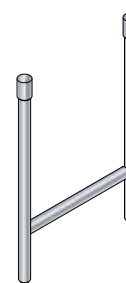
Model No.	Description
DL-45-CF-I	45 degree corner filler units - inside
DL-45-CF-O	45 degree corner filler units - outside
DL-90-CF-I	90 degree corner filler units - inside
DL-90-CF-O	90 degree corner filler units - outside
SO-12	Stainless Steel H - Frame Legs



90 Degree Corner Filler Unit - Inside



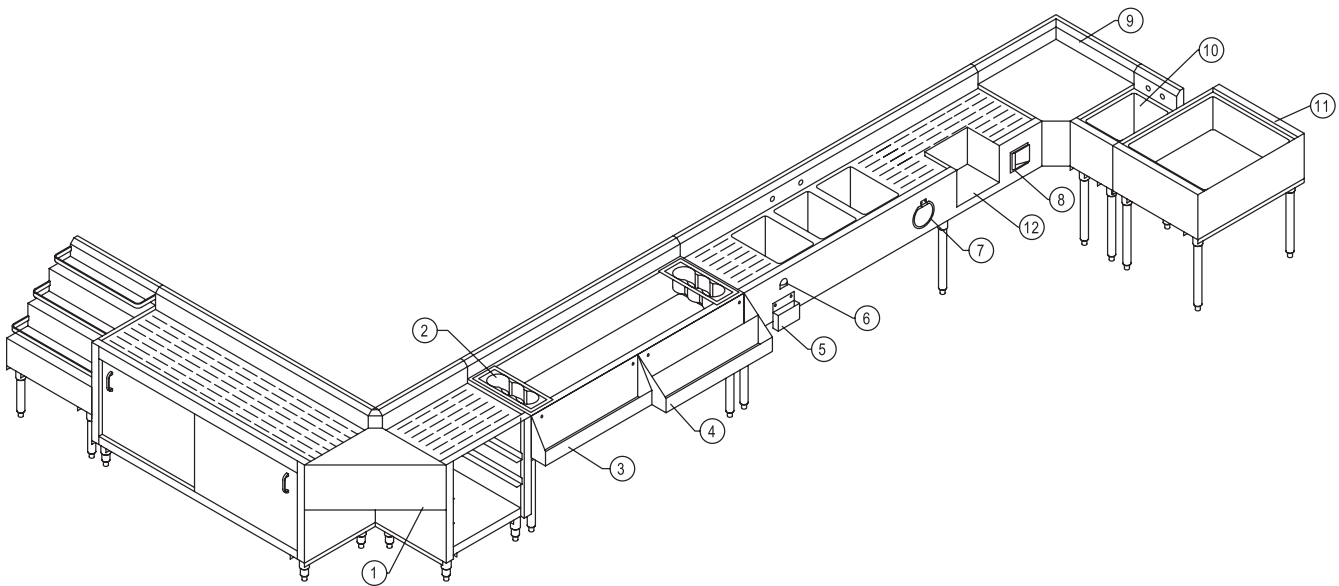
45 Degree Corner Filler Unit - Outside



Stainless Steel H-Frame Legs

Modified Bar Equipment Fabrication

- Quality custom product
- All custom bar equipment fabricated entirely from 16 Gauge 300 Series Stainless Steel
- All custom bar equipment pricing reflects Universal Stainless® standard method of fabrication and complies with NSF Standard No. 2
- Complete shop drawings will be submitted for approval after receipt of P.O.
- Please contact factory for any requirements not shown



Number	Model No.	Description	Qty.
1	DL-90-CF-O	90 degree turn outside corner	Each
2	DLA-11	Removable Plastic Bottle Well	Each
3	DLA-12	Single Row Speed Rail with Key Holes	Lin. Ft.
4	DLA-13	Double Row Speed Rail with Key Holes	Lin. Ft.
5	DLA-14	Bottle Cap Catcher	Each
6	DLA-15	Bottle Opener	Each
7	DLA-16	Towel Ring- Installed	Each
8	DLA-17	Trash Chute	Each
9	DL-90-CF-I	90 degree turn inside corner	Each
10	DLHS-12	Hand Sink	Each
11	PTCS	Pass-thru Ice Bin	Each
12	WIBS	Welded-in Blender Station	Each

TERMS & CONDITIONS

Order Terms and Conditions

- Orders can be submitted via EDI, email or fax and are subject to acceptance by the factory.
- Credit card orders are accepted.
- All prices, specifications and discounts are subject to change without notice.
- Payment terms are net 30, unless otherwise stated for established accounts.
- Accounts will be established once satisfactory credit references are confirmed.
- Any applicable federal, state, or local sales tax will be added to the prices.
- We will not break cartons, where applicable.
- Possession of price list does not constitute an offer to sell.

Minimum Orders

- Minimum order is \$150.00 net.
- A \$35.00 service charge may be added for orders less than minimum.

Quotations and Custom Fabrication

- Quotations are valid for 30 days, unless otherwise stated.
- Drawings for custom items must be signed and will be accepted as correct. Any errors arising from same will be the responsibility of the customer.
- Made to order items are not returnable.

FOB Shipping Points

- FOB locations are by brand:
 - AMCO, ISS, LPI, Freestyle: Covington, GA
 - Kelmax: Stone Mountain, GA, Valencia, CA
 - Universal Stainless: Aurora, CO
- We reserve the right to split orders based on the FOB shipping point.

Freight Terms and Conditions

- Freight, service and handling charges are not subject to discount.
- Freight carriers will be chosen by the factory unless Purchase Order specifies customer carrier and includes Prepaid & Add with third party billing address
- While Seller will use all reasonable commercial efforts to maintain the delivery date acknowledged or quoted by the Seller, all shipping dates are approximates.
- We are not responsible for any delays in delivery which are beyond our control such as fires, strikes, floods, delays in transportation or any contingencies of similar character.
- Freight claims for damages are the responsibility of the customer and all claims must be filed by the customer with the carrier promptly.
- All claims for shortages must be brought to our attention within five (5) days from the date the merchandise is received.
- Kelmax Freight Classes are based on descriptions and generalizations provided by the National Motor Freight Traffic Association, January 2007 catalog. These classes are subject to interpretation by shipper and carrier.

Special Handling Charges

- Customers will be billed for trucking company charges that are due to special requests made by the customer, including:
 - Notifying customer before making a delivery
 - Requiring a Lift Gate Truck
 - Making deliveries during specific hours

Return Policy

- The minimum value of returned merchandise must be \$100 net
- Contact the factory for written approval to return merchandise
- Merchandise authorized to be returned must be shipped prepaid and is subject to a 25% restocking charge
- Returned goods must be received within 30 days of purchase
- Returned merchandise must be returned in the original, unopened and resalable packaging.
- All merchandise must have a Return Goods Authorization number to assure proper credit and must be noted on the shipping label and bill of lading.
- Certain products, such as those made to order, are not returnable. Contact Customer Service for the policy concerning specific products.

Cancellations

- Cancellations are not accepted on orders in transit or on custom equipment in production

Warranty

- Contact factory for Warranty information.

Note: Due to continuous product improvements, specifications and prices are subject to change.

EXPECT MORE



STORAGE PRODUCTS GROUP

SPG International, LLC
11230 Harland Drive NE
Covington, GA 30014
877-503-4SPG (4774)
www.spgusa.com