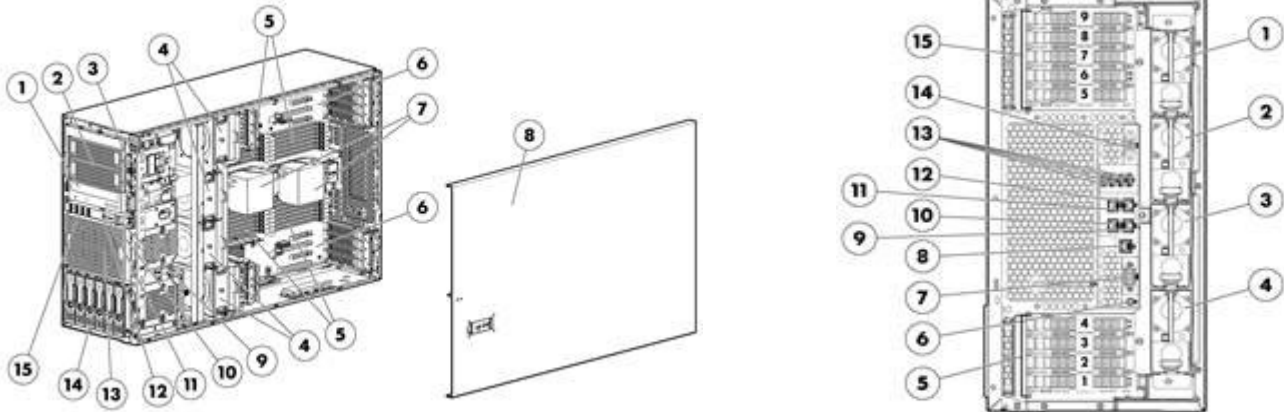


### Overview

The HP ProLiant ML350p Gen8 Server series is the latest generation of the best-selling ProLiant ML servers delivering best-in-class performance, availability and maximum expandability for enterprise data centers, remote branch offices and growing businesses. Incorporating key HP technologies from the HP ProActive Insight architecture, the ML350p Gen8 provides innovations in memory, server management, firmware management and server storage. It combines these innovations with the latest Intel® Xeon® processors for a system with unsurpassed flexibility and performance.



#### Front View:

1. Half height SATA DVD ROM or DVD RW optical drive
2. Two (2) removable media bays
3. Systems Insight Display (rack and CTO models only)
4. Four (4) system fans
5. Twenty-four (24) DIMM slots: DDR3 Load Reduced (LRDIMM), Registered (RDIMM) or Unbuffered (UDIMM)
6. Nine (9) PCIe expansion slots (8 PCIe 3.0 and 1 PCIe 2.0)
7. Two (2) processor heatsinks
8. Quick removal access panel
9. Power On / Standby button and system power LED button
10. NIC Activity LED
11. Health LED
12. UID LED button
13. Optional drive cage
14. Standard drive cage (6 LFF or 8 SFF)
15. Four (4) USB connectors

#### Rear View:

1. Power supply 1 (CTO)
2. Power supply 2 (CTO)
3. Power supply 3 (Default)
4. Power supply 4 (Default)
5. Four (4) PCIe slots (for processor 1)
6. UID LED button
7. Serial connector
8. iLO connector
9. NIC connector 4
10. NIC connector 3
11. NIC connector 2
12. NIC connector 1
13. Four (4) USB connectors
14. Video connector
15. Five (5) PCIe slots (for processor 2)

### What's New

- Support new HBA, HP Intelligent Rack and Tape drive

### Standard Features

**NOTE:** For the Standard Features shipped in the "Factory Integrated Models", please see the "Configuration Information - Factory Integrated Models" section.

#### Processor

One of the following depending on Model

#### Entry Processors

**NOTE:** All support up to 1066MHz memory speeds.

Intel® Xeon® E5-2609 (2.4GHz/4-core/10MB/6.4GT-s QPI/80W)

Intel® Xeon® E5-2603 (1.8GHz/4-core/10MB/6.4GT-s QPI/80W)

#### Base Processors

**NOTE:** All support up to 1333MHz DDR3 memory speeds.

Intel® Xeon® E5-2640 (2.5GHz/6-core/15MB/7.2GT-s QPI/95W, DDR3-1333, HT, Turbo2- 3/3/4/4/5/5)

Intel® Xeon® E5-2630 (2.3GHz/6-core/15MB/7.2GT-s QPI/95W, DDR3-1333, HT, Turbo2- 3/3/4/4/5/5)

Intel® Xeon® E5-2620 (2.0GHz/6-core/15MB/7.2GT-s QPI/95W, DDR3-1333, HT, Turbo2- 3/3/4/4/5/5)

Intel® Xeon® E5-2630L (2.0GHz/6-core/15MB/7.2GT-s QPI/60W, DDR3-1333, HT, Turbo2- 3/3/4/4/5/5)

#### Performance Processors

**NOTE:** All support up to 1600MHz DDR3 memory speeds.

Intel® Xeon® E5-2690 (2.9GHz/8-core/20MB/8.0GT-s QPI/135W, DDR3-1600, HT, Turbo2- 4/4/4/5/5/7/7/9)

Intel® Xeon® E5-2680 (2.7GHz/8-core/20MB/8.0GT-s QPI/130W, DDR3-1600, HT, Turbo2- 4/4/5/5/5/7/8/8)

Intel® Xeon® E5-2670 (2.6GHz/8-core/20MB/8.0GT-s QPI/115W, DDR3-1600, HT, Turbo2- 4/4/5/5/6/6/7/7)

Intel® Xeon® E5-2667 (2.9GHz/6-core/15MB/8.0GT-s QPI/130W, DDR3-1600, HT, Turbo2- 3/3/3/4/5/6)

Intel® Xeon® E5-2665 (2.4GHz/8-core/20MB/8.0GT-s QPI/115W, DDR3-1600, HT, Turbo2- 4/4/5/5/6/6/7/7)

Intel® Xeon® E5-2660 (2.2GHz/8-core/20MB/8.0GT-s QPI/95W, DDR3-1600, HT, Turbo2- 5/5/6/6/7/7/8/8)

Intel® Xeon® E5-2650 (2.0GHz/8-core/20MB/8.0GT-s QPI/95W, DDR3-1600, HT, Turbo2- 4/4/5/5/5/7/8/8)

Intel® Xeon® E5-2650L (1.8GHz/8-core/20MB/8.0GT-s QPI/70W, DDR3-1600, HT, Turbo2- 4/4/5/5/5/7/8/8)

Intel® Xeon® E5-2643 (3.3GHz/4-core/10MB/8.0GT-s QPI/130W, DDR3-1600, HT, Turbo2- 1/1/2/2)

Intel® Xeon® E5-2637 (3.0GHz/2-core/5MB/8.0GT-s QPI/80W, DDR3-1600, HT, Turbo2- 5/5)

**NOTE:** HT indicates that the processor model supports Intel® Hyper-Threading Technology.

**NOTE:** Turbo 2 indicates the maximum potential bin increments when using Intel® Turbo Boost Technology, with 8, 7, 6, 5, 4, 3, 2, and 1 cores active.

**NOTE:** DDR3 speed is the maximum memory speed of the processor. Actual memory speed may depend on the quantity and type of DIMMs installed (options for 1600, 1333, 1066MHz).

**NOTE:** Up to 2 processors supported. Mixing different processor models is not supported.

**NOTE:** For the Intel® C600 Chipset E5-2600 Series, the letter preceding the model number indicates the Product Line (E3, E5, E7); 2600x v#, 2 = number of CPUs in a Node, 6 is socket/segment designation, 00 = Processor SKU, x = L for low power SKUs and v# (not yet designated) = version number.

### Standard Features

**Cache Memory**

One of the following depending on Model

20MB (1 x 20MB) Level 3

**NOTE:** For Eight-core processors.

15MB (1 x 15MB) Level 3

**NOTE:** For Six-core processors.

10MB (1 x 10MB) Level 3

**NOTE:** For Quad-core processors.

5MB (1 x 5MB) Level 3

**NOTE:** For Dual-Core processors.

---

**Chipset**

Intel® C600 Chipset

Intel® E5-2600 Processor Family

**NOTE:** For more information regarding Intel® chipsets, please see the following URL:  
<http://www.intel.com/products/server/chipsets/>.

---

**Upgradeability**

Upgradeable to two processors

**NOTE:** Total 4, 8, 12 or 16 cores

Up to 24 DIMM slots available for higher memory capacity

Up to 24 SFF Hard Drive Bays; Or 18 LFF Hard Drive Bays

8 PCIe 3.0 and 1 PCIe 2.0 I/O slots for additional communications and storage expansion

Redundant Power Supply and Redundant Fans

Optical Drive Bay (up to 3)

---

**On System Management Chipset**

HP iLO (Firmware: HP iLO4)

**NOTE:** For more information, visit: <http://www.hp.com/go/ilo>

---

**Memory Protection**

Advanced ECC

Online Spare

Lock-step mode

---

### Standard Features

#### Memory

One of the following depending on Model

Type	HP SmartMemory DDR3 Load Reduced (LRDIMM), Registered (RDIMM) or Unbuffered (UDIMM)
DIMM Slots Available	24
Standard (Entry Models)	4GB (1x4GB) PC3L-10600R (DDR3-1333) Registered DIMMS
Standard (Base Models)	8GB (2x4GB) PC3L-10600R (DDR3-1333) Registered DIMMS
Standard (Performance Models)	16GB (4x4GB) PC3L-10600R (DDR3-1333) Registered DIMMS
Maximum Capacity (RDIMM)	384GB (24x 16GB RDIMM @1600MHz)
Maximum Capacity (UDIMM)	128GB (16 x 8GB UDIMM @1333MHz)
Maximum Capacity (LRDIMM)	768GB (24 x 32GB LRDIMM @1066MHz)

**NOTE:** HP memory from previous generation servers are not qualified or warranted with this HP ProLiant Server. HP SmartMemory is required to realize the memory performance improvements and enhanced functionality listed in this document for Gen8. For additional information, please see the HP SmartMemory QuickSpecs at: [http://h18000.www1.hp.com/products/quickspecs/14225\\_na/14225\\_na.html](http://h18000.www1.hp.com/products/quickspecs/14225_na/14225_na.html)

**NOTE:** LRDIMM, RDIMM and UDIMMs are all distinct memory technologies and cannot be mixed within a server. The majority of ProLiant Gen8 servers support RDIMM, UDIMM and LRDIMM.

**NOTE:** If only one processor is installed, only 12 DIMM slots are available. When populating with two processors 24 DIMM slots are available. For maximum speed on some memory options on 16 DIMM slots may be populated.

**NOTE:** Depending on the memory configuration and processor model, the memory speed may run at 1600MHz, 1333MHz, or 1066MHz. Please see Memory Population Table or the Online Memory Configuration Tool at: [www.hp.com/go/ddr3memory-configurator](http://www.hp.com/go/ddr3memory-configurator).

#### Network Controller

HP 1Gb Ethernet 4-port 331i Adapter

#### Expansion Slots

Expansion Slot #	Technology	Bus Width	Connector Width	Bus Number	Form Factor	Notes
9	PCIe 3.0	x4	x8	32	Full Length/Full Height	For processor 2
8	PCIe 3.0	x16	x16	32	Full Length/Full Height	For processor 2
7	PCIe 3.0	x4	x8	32	Full Length/Full Height	For processor 2
6	PCIe 3.0	x16	x16	32	Full Length/Full Height	For processor 2

### Standard Features

5	PCIe 2.0	x4	x8	0	Half Length/Full Height	For processor 2
4	PCIe 3.0	x4	x8	0	Full Length/Full Height	For processor 1
3	PCIe 3.0	x16	x16	0	Full Length/Full Height	For processor 1
2	PCIe 3.0	x4	x8	0	Full Length/Full Height	For processor 1
1	PCIe 3.0	x8	x16	0	Full Length/Full Height	For processor 1

**NOTE:** Bus number - Default bus assignment (in decimal). Inserting cards with PCI bridges may alter the actual bus assignment number.

**NOTE:** Nine total expansion slots. Three PCIe 3.0 x16 (x16 speed); One PCIe 3.0 x16 (x8 speed); Four PCIe 3.0 x8 (x4 speed); One PCIe 2.0 x8 (x4 speed).

### HP Server ROM

HP ROM (Read Only Memory) is now digitally signed using HP's Corporate Signing Service. This signature is verified before the flash process starts, reducing accidental programming and preventing malicious efforts to corrupt system ROM.

HP ROM provides for essential initialization and validation of hardware components before control is passed to the customer-installed operating system. The ROM also provides the capability of booting from various fixed media (HDD, CD-ROM) and removable media (USB), to continue operation to the operating system.

HP ROM performs very early configuration of the video controller, to allow monitoring of initialization progress via an attached monitor. If configuration or hardware errors are discovered during this early phase of hardware initialization, suitable messages are now displayed on the connected monitor. Additionally, these configuration or hardware errors are logged to the Integrated Management Log (IML) to assist in diagnosis.

HP's ProLiant ROM is used to configure the following:

- Processor and chipset status registers
- System memory, memory map, and memory initialization
- System hardware configuration (Integrated PCI devices and optional PCIe cards).
- Customer-specific BIOS configuration (using the HP ROM-Based Setup Utility (RBSU).

**NOTE:** For further information, please refer to HP's RBSU (ROM based setup utility) user guide: [www.hp.com/support/rbsu](http://www.hp.com/support/rbsu).

### Standard Features

#### Storage Controller

One of the following depending on model

Entry Models	HP Smart Array P420i/Zero Memory Controller
Base Models	HP Smart Array P420i/512M FBWC Controller <b>NOTE:</b> The SA-P420i/512M FBWC is standard on tower model and SA-P420i/1G FBWC is standard on rack model.
	HP Smart Array P420i/1G FBWC Controller
Performance Models	HP Smart Array P420i/2G FBWC Controller

#### Internal Storage Devices

##### Optical Drives

One of the following depending on model

HP Half-Height SATA DVD-ROM Optical Drive	<b>NOTE:</b> DVD ROM is standard in entry and base tower models.
HP Half Height SATA DVD-RW Optical Drive	<b>NOTE:</b> DVD-RW is standard in performance tower and all rack models.

##### Hard Drives

##### Hard Drive Bays

One of the following depending on model

None ship standard
(6) Hot plug LFF SAS/SATA HDD bays; upgradable to (18)
(8) Hot plug SFF SAS/SATA HDD bays; upgradable to (24)
<b>NOTE:</b> All Pre-configured Models come populated with some hard drive blanks installed. Should the customer need additional hard drive blanks, they can order more using either P/N 666987-B21: HP SFF Gen8 Hard Drive Blank Kit or P/N 666986-B21: HP LFF Gen8 Hard Drive Blank Kit. These part numbers for single HDD blanks below are also provided should the customer require replacement HDD blanks for their server.

#### Maximum Internal Storage

One of the following depending on model

Hot Plug LFF SAS	54TB	18 x 3TB
Hot Plug LFF SATA	54TB	18 x 3TB
Hot Plug SFF SAS	24TB	24 x 1TB
Hot Plug SFF SATA	24TB	24 x 1TB
Hot Plug SFF SATA SSD	9.6TB	24 x 400GB
Hot Plug SFF SAS SSD	19.2TB	24 x 800GB
Hot Plug LFF SATA SSD	7.2TB	18 x 400GB

#### Interfaces

Serial	1
Video	1 (rear)
Network RJ-45 (Ethernet)	5 (1 dedicated for HP Integrated Lights-Out)
HP iLO Remote Management Network Port	1 Gb Dedicated
SD slot	1 (internal) <b>NOTE:</b> The SD slot is not a hot-pluggable device. Customers should not attempt to plug an SD card into the SD slot while the server is powered.
USB	10 (4 front, 4 rear, 2 internal)

### Standard Features

#### Industry Standard Compliance

ACPI 2.0b Compliant  
PCIe 3.0 Compliant  
PXE Support  
WOL Support  
Novell Certified  
IPMI 2.0, SMASH CLP, DCMI 1.0 compliant  
Microsoft® Logo certifications  
USB 2.0 Support  
SMBIOS 2.7.1

#### Server Power Cords

ProLiant ML servers in a rack-mount configuration no longer ship standard with NEMA power cords that allow connection to 110V US wall outlets in a home or office. These servers are primarily connected to PDU's in data center racks so they now ship standard with only a PDU power cord (416151-B21). If a user wishes to power a ProLiant ML rack-mount server using a 110V receptacle (NEMA-15), the NEMA power cord must be ordered separately. The 12' cord (AF556A) or 6' cord (187335-001) can be purchased online at HP.COM. In a tower configuration, the servers ship standard with a 6' country specific NEMA power cord. If customers require a local power cord, they can check the power cord matrix for the appropriate country specific sku. Please see the following power cord matrix: <http://www.hp.com/go/powercordmatrix>.

#### Power Specifications

To review typical system power ratings use the HP Power Advisor which is available via the online tool located at URL: [www.hp.com/go/proliant-energy-efficient](http://www.hp.com/go/proliant-energy-efficient) or [www.hp.com/go/hppoweradvisor](http://www.hp.com/go/hppoweradvisor).

**NOTE:** Power Specification and Technical Content for supported power supplies can be found at: [http://h18000.www1.hp.com/products/quickspecs/14209\\_na/14209\\_na.html](http://h18000.www1.hp.com/products/quickspecs/14209_na/14209_na.html)

#### Common Slot Power Supplies

**NOTE:** Mixing of power supplies in the same server is not supported. All power supplies inside a server must be exactly the same model. Mixing Gold, Platinum, and Platinum Plus certified power supplies is not supported.

HP's Common Slot (CS) power supplies allow for commonality of power supplies across a wide range of ProLiant and Integrity servers, as well as HP Storage solutions, and are designed to provide the highest power supply efficiency without degrading system performance. HP CS power supplies are tested by the Electric Power Research Institute (EPRI) and certified through the ECOS 80 Plus power supply program. HP CS power supply options provide efficiency ratings of up to 94% (80 Plus Platinum) and are available in three power output options – 460W, 750W, and 1200W - allowing the customer to "right-size" a power supply for their specific server configuration. All HP Common Slot power sources are UL, CE Mark Compliant, hot-plug and support redundant configurations.

**NOTE:** Mixing of power supplies in the same server is not supported. All power supplies must be of the same output and efficiency rating. If non-matched power supplies are inserted you will get errors and operation will fail.

HP CS Platinum power supplies are required when enabling HP's Intelligent Power Discovery (IPD) solution. IPD is the first technology to create an automated, energy-aware network between IT systems and facilities. This allows your company to reclaim millions of dollars in wasted power capacity and downtime costs across data centers. For more information on HP's IPD solution, go to [www.hp.com/go/ipd](http://www.hp.com/go/ipd).

### Standard Features

It is highly recommended that you use the HP Power Advisor in defining the "Right-Size" power supply for your needs. HP Power Advisor can be accessed at: [www.hp.com/go/hppoweradvisor](http://www.hp.com/go/hppoweradvisor).

**NOTE:** The 80 PLUS program is a unique forum that unites electric utilities, the computer industry, and consumers in an effort to bring energy efficient technology solutions to the marketplace. 80 Plus independently tests power supply efficiency and publicly posts the results on 80Plus.org.

Redundant Power: Optional (1 + 1 redundant) power supplies can be purchased through power supply option kits (see Power Supplies for part numbers).

**NOTE:** Power Specification and Technical Content for supported power supplies can be found at: [http://h18000.www1.hp.com/products/quickspecs/14209\\_na/14209\\_na.html](http://h18000.www1.hp.com/products/quickspecs/14209_na/14209_na.html)

#### System Fans

One of the following depending on Model

(4) hot plug, redundant fans plus louvers

Fan Redundancy is standard in performance model. Four fans, PCIe baffles plus fan louvers are required for fan redundancy.

(3) hot plug, non-redundant fans

For fan redundancy in entry and base models, the HP Hot Plug Redundant Fan Kit (659486-B21) must be purchased. HP Hot Plug Redundant Fan Kit includes 4th fan, PCIe baffles and fan louvers.

#### Operating Systems and Virtualization Software Support for ProLiant Servers

[Microsoft Windows Server](#)

[Red Hat Enterprise Linux \(RHEL\)](#)

[SUSE Linux Enterprise Server \(SLES\)](#)

[Solaris](#)

[VMware](#)

[Citrix XenServer](#)

**NOTE:** For more information on HP's Certified and Supported ProLiant Servers for OS and Virtualization Software and latest listing of software drivers available for your server, please visit our Support Matrix at: <http://www.hp.com/go/ossupport> and our driver download page <http://www.hp.com/support/ML350pGen8>

#### Graphics

Integrated Matrox G200 video standard

- 1280 x 1024 (32 bpp)
- 1920 x 1200 (16 bpp)

HP iLO 4 On System Management Memory

- 16 MB Flash
- 256 MB DDR 3 with ECC (112 MB after ECC and video)

#### Form Factor

Tower or Rack (5U)



### Standard Features

#### **On System Management** HP iLO Management Engine

HP iLO Management Engine is a comprehensive set of embedded management features supporting the complete lifecycle of the server, from initial deployment, through ongoing management, to service alerting and remote support. HP iLO Management Engine comes standard on all HP ProLiant Gen8 servers. The HP iLO Management Engine portfolio includes:

- **HP iLO:** The HP iLO (Integrated Lights-Out) management processor is the core foundation for the HP iLO Management Engine
- **HP Agentless Management:** Provides built in server health monitoring and alerting capability without OS agents, that starts working the moment a power cord and an Ethernet cable are connected.
- **HP Active Health System:** Always on, continuous monitoring for increased stability and shorter downtimes; 100% configuration history; Health and service alerts and easy export and upload to Service and Support.
- **HP Intelligent Provisioning:** Lets customers provision and configure a single server without any separate media. No more SmartStart CDs or Smart Update Firmware DVD are needed.
  - To start Intelligent Provisioning:
    - Press the F10 key during the ProLiant Gen8 server boot process (also known as power on self test or POST).
    - Please go to the Intelligent Provisioning website at [www.hp.com/go/intelligentprovisioning](http://www.hp.com/go/intelligentprovisioning) for additional information and to view usage videos.
    - Use the Service Pack for ProLiant (SPP) at [www.hp.com/go/spp](http://www.hp.com/go/spp) to get firmware and software updates.
- **HP iLO Mobile App:** Enables the ability to access, deploy, and manage your server anytime from anywhere from select smartphones and mobile devices. For additional information please visit: [www.hp.com/go/ilo/mobileapp](http://www.hp.com/go/ilo/mobileapp)

**NOTE:** For more information, visit: <http://www.hp.com/go/ilo> or HP iLO Management Engine technologies whitepaper

---

### Standard Features

#### **HP Insight Management** HP Service Pack for ProLiant (SPP)

HP Service Pack for ProLiant (SPP) and HP Smart Update Manager (HP SUM) version 5 provide a new, comprehensive approach to firmware and system software maintenance. Together they provide better operating stability and ensure maximum uptime. The SPP will be updated at a predictable cadence, typically coinciding with new HP server hardware launches. By enabling all firmware to be updated online and integrating firmware and system software updates in one operation HP SUM and the SPP offer faster updates of individual servers and dramatically faster updates of entire BladeSystem enclosures. Further improving system uptime and stability is the fact that HP provides 12 months of support on each Service Pack for ProLiant.

The user experience around HP SUM and the SPP has been improved in several ways, starting with the web download. A single web page provides access to a single download containing both the latest version of HP SUM version 5 and the latest SPP. Optional smaller subsets with only specific types of servers or specific operating systems are offered to save on download time. The HP SUM application has been re-written to provide a more straightforward, intuitive user interface that guides the user through the steps of discovery, analyses and update, providing comprehensive information on available updates, criticality and interdependencies. This information is also available in reports. By providing the option of multiple local or shared repositories which can be easily updated from hp.com, HP SUM provides the tools to optimize stability and consistency throughout the company. While HP SUM and the SPP will recommend the combinations of firmware and system software that HP has found to be the best practice, the application gives customers the flexibility to set their own specific baseline.

The Service Pack for ProLiant has been rigorously tested with specific attention for interaction between firmware, drivers and agents both within the server as well as in interaction with the BladeSystem enclosure components (Onboard Administrator and Virtual Connect). This testing ensures the highest quality as well as providing the input for HP SUM to deploy updates taking into account all interdependencies, when determining the correct updates and order of update deployment.

**NOTE:** The Service Pack for ProLiant (which includes HP SUM 5) can be downloaded from [www.hp.com/go/spp/download](http://www.hp.com/go/spp/download). More information can be found: [www.hp.com/go/spp](http://www.hp.com/go/spp) and <http://www.hp.com/go/hpsum>

---

#### **Security**

Power-on password  
Setup password  
Serial interface control  
Power switch security  
Administrator's password

---

### Standard Features

#### Warranty

This product is covered by a global limited warranty and supported by HP Services and a worldwide network of HP Authorized Channel Partners resellers. Hardware diagnostic support and repair is available for three years from date of purchase. Support for software and initial setup is available for 90 days from date of purchase. Enhancements to warranty services are available through HP Care Pack services or customized service agreements. Hard drives have either a one year or three year warranty; refer to the specific hard drive QuickSpecs for details.

**NOTE:** Server Warranty includes 3-Year Parts, 3-Year Labor, 3-Year Onsite support with next business day response. Warranty repairs may be accomplished through the use of Customer Self Repair (CSR) parts. These parts fall into two categories: 1) Mandatory CSR parts are designed for easy replacement. A travel and labor charge will result when customers decline to replace a Mandatory CSR part; 2) Optional CSR parts are also designed for easy replacement but may involve added complexity. Customers may choose to have HP replace Optional CSR parts at no charge. Additional information regarding worldwide limited warranty and technical support is available at:

<http://h18004.www1.hp.com/products/servers/platforms/warranty/index.html>

### Optional Features

<b>HP Insight Management</b>	HP Insight Control	<p>HP Insight Control, a product option, delivers essential infrastructure management that can help save time and money by making it easy to deploy, migrate, monitor, remote control, and optimize your IT infrastructure through a single, simple management console. HP Insight Control also supports Location and Power Discovery Services to automate many configuration, asset tracking, and power management tasks to speed implementation and prevent downtime. For more information, see <a href="http://www.hp.com/go/insightcontrol">http://www.hp.com/go/insightcontrol</a>.</p> <p>HP Insight Control includes one year of 24 x 7 HP Software Technical Support and Update Service ensuring rapid access to HP support staff and proactive delivery of software updates. For more information about this service, see: <a href="http://www.hp.com/services/insight">http://www.hp.com/services/insight</a>.</p>
	HP iLO Advanced	<p>HP Integrated Lights-Out Advanced License a product option, providing smart remote server management without compromise. iLO Advanced unlocks the full set of remote administration functionality for all HP ProLiant servers by activating the full Virtual Keyboard Video and Mouse remote console, multi-user collaboration, console record and replay, GUI-based and scripted virtual media and virtual folders, and enhanced security and power management functionality. For more information, see: <a href="http://www.hp.com/go/iloadvance">http://www.hp.com/go/iloadvance</a></p>
	HP Matrix Operating Environment	<p>The HP Matrix Operating Environment (Matrix OE) for ProLiant and Integrity servers is an integrated command center that helps you instantly adjust to dynamic business demands. This advanced infrastructure management software lets you reduce the cost of common data center tasks by up to 40 percent while keeping pace with your changing business.</p> <p>The HP Matrix OE includes the automated provisioning, optimization, and recovery management capabilities for HP CloudSystem Matrix, the ideal platform for private cloud and Infrastructure as a Service (IaaS).</p>

**NOTE:** For more information, visit: <http://www.hp.com/go/matrixoe>

---

### High Performance Clusters

HP Cluster Platforms	<p>HP Cluster Platforms are specifically engineered, factory-integrated large-scale ProLiant clusters optimized for High Performance Computing, with a choice of servers, networks and software. Operating system options include specially priced offerings for Red Hat Enterprise Linux and SUSE Linux Enterprise Server, as well as Microsoft Windows HPC Server. A Cluster Platform Configurator simplifies ordering. <a href="http://www.hp.com/go/clusters">http://www.hp.com/go/clusters</a>.</p>
HP HPC Interconnects	<p>High Performance Computing (HPC) interconnect technologies are available for this server as part of the HP Cluster Platform portfolio. These high-speed InfiniBand and Gigabit interconnects are fully supported by HP when integrated within an HP cluster. Flexible, validated solutions can be defined with the help of configuration tools. <a href="http://www.hp.com/techservers/clusters/ucp/index.html">http://www.hp.com/techservers/clusters/ucp/index.html</a></p>

### Optional Features

HP Insight Cluster Management Utility	HP Insight Cluster Management Utility (CMU) is an HP-licensed and HP-supported suite of tools that are used for lifecycle management of hyperscale clusters of Linux ProLiant systems. CMU includes software for the centralized provisioning, management and monitoring of nodes. CMU makes the administration of clusters user friendly, efficient, and effective. <a href="http://www.hp.com/go/cmu">http://www.hp.com/go/cmu</a>
HP HPC Linux Value Pack	HP HPC Linux Value Pack (Value Pack) is an HP-licensed and HP-supported option to HP Insight CMU, for the development and deployment of applications on HPC Cluster Platforms. Value Pack includes the Platform LSF workload scheduler and Platform Application Center, as well as the HP-MPI parallelization library. <a href="#">HP HPC Linux Value Pack</a>

### Storage Software

Whether you need to solve a specific data protection, archiving, or storage command and control challenge, or deliver on strategic consolidation, compliance, or continuity initiatives, look no further than HP storage software. Our storage software helps you reduce costs, simplify storage infrastructure, protect vital assets and respond faster to business opportunities.

Storage software that gets the job done:

- **Data Protection and Recovery Software**  
Whether you're a large enterprise or a smaller business, HP data protection and recovery software will cost-effectively protect you against disaster and ensure business continuity.
- **Data Archive and Migration Software**  
HP's storage software enables you to comply with data retention and retrieval requirements, improve application performance, and reduce costs by efficiently migrating infrequently accessed or less valuable data to lower cost storage.
- **Storage Resource Management Software (SRM)**  
HP's storage resource management software reduces operational costs and provides the command and control foundation you need to efficiently manage and visualize your physical and virtual environments.
- **Data Replication Software**  
HP offers array-based and host-based replication software for use in disaster recovery, testing, application development and reporting.
- **Storage Device Management Software**  
Maximize your investment in HP storage and networking with software that enables hardware-specific configuration, performance tuning and connectivity management.
- **HP StoreVirtual VSA**  
With HP StoreVirtual VSA you can use the power of virtualization to turn a set of heterogeneous and disconnected physical disk drives in your servers and storage devices into a single pool of logical storage capacity.

**NOTE:** For more information available Storage Software including QuickSpecs, please see: [www.hp.com/go/storage/software](http://www.hp.com/go/storage/software).

### Optional Features

**HP Insight Online**

HP Insight Online is a new addition to the HP Support Center for one stop, secure access to product and HP support information personalized to your IT environment. Insight Online can automatically display devices remotely monitored by HP Insight Remote Support. With Insight Online's easy navigation you can efficiently track your IT support contracts and device status from anywhere and at anytime.

[www.hp.com/go/insightonline](http://www.hp.com/go/insightonline)

---

**HP Proactive Insight experience**

Prevent problems with innovative, automated monitoring tools and proactive services. The HP Proactive Insight experience consist of using Insight Online, Insight Remote Support, and Proactive Care Support Service as one integrated solution. The Proactive Insight experience provides you with expert advice and personalized, cloud-based automated IT support, helping to prevent unplanned down time and solve problems quickly. For more information, visit: [www.hp.com/go/proactiveinsightexperience](http://www.hp.com/go/proactiveinsightexperience)

---

**Factory Express Portfolio for Servers and Storage**

HP Factory Express offers configuration, customization, integration and deployment services for HP servers and storage products. Customers can choose how their factory solutions are built, tested, integrated, shipped and deployed.

Factory Express offers service packages for simple configuration, racking, installation, complex configuration and design services as well as individual factory services, such as image loading, asset tagging, and custom packaging. HP products supported through Factory Express include a wide array of servers and storage: HP Integrity, HP ProLiant, HP ProLiant Server Blades, HP BladeSystem, HP 9000 servers as well as the MSAxxxx, VA7xxx, EVA, XP, rackable tape libraries and configurable network switches.

For more information on Factory Express services for your specific server model please contact your sales representative or go to: <http://www.hp.com/go/factory-express>

---

**HP Simple Configurator**

SCE is a guided self service tool to help sales and non technical people provide customers with initial configurations in 3 to 5 minutes. You may then send the configuration on for configuration help, or use in your existing ordering processes. If you require "custom" rack configuration or configuration for products not available in SCE, please contact HP's Customer Business Center or an Authorized Partner for assistance. <http://www.hp.com/products/configurator>

### Service and Support

#### Service and Support

##### **HP Technology Services for Industry Standard Servers and BladeSystem**

Capitalizing on HP ProLiant server and HP BladeSystem capabilities requires a service partner who understands your increasingly complex business technology environment. That's why it makes sense to team up with the people who know HP infrastructure hardware and software best — the experienced professionals at HP Services.

##### **What HP ProLiant and BladeSystem Services can do for you**

HP ProLiant and BladeSystem Services can help you design, deploy, test, integrate, support, and manage IT and infrastructure solutions. This way, HP proposes services solutions that include more than just uplift of base warranty. Foundation Care services deliver scalable support-packages for HP industry-standard servers and software. You can choose the type and level of service that is most suitable for their business needs. New to this portfolio is HP Collaborative Support. If you are running business critical environments, HP offers Proactive Care or Critical Advantage. These services help deliver high levels of application availability through proactive service management and advanced technical response

You can get the support you need by choosing from one of a number of service packaged solutions we have designed to address wider set of customer support needs.

HP Technology Services meets business challenges with services offered in three support recommendations – **Optimized Care, Standard Care, and Basic Care** - available for each product group. Such support solutions enable customers to optimize technology operations, minimize risk and drive better business outcomes with easy-to-buy, easy-to-use scalable support recommendations for servers, storage, networking and software designed to meet your specific needs.

All three service recommendations include support services from the broader portfolio of Foundation Care and Proactive Care services.

#### Optimized Care

##### **Optimized Care: Supports maintaining servers at optimum performance availability**

##### **HP ProLiant Server Hardware Installation**

Provides for the basic hardware installation of HP branded servers, storage devices and networking options to assist you in bringing your new hardware into operation in a timely and professional manner  
<http://h20195.www2.hp.com/V2/GetPDF.aspx/5981-9356EN.pdf>

##### **HP Installation and Startup for Insight Control Software / HP SIM**

Provides for the deployment and basic configuration of HP Insight Control or HP SIM (Systems Insight Manager) on HP ProLiant ML and DL series servers or HP BladeSystem servers  
<http://h20195.www2.hp.com/v2/GetPDF.aspx/4AA0-9972ENW.pdf>

##### **3-Year HP 24x7 4 hour Response, Proactive Care**

Helps optimize your systems and delivers high levels of application availability through proactive service management and advanced technical response. A skilled Technical Manager will own your call and end to end until resolved, delivering a single point of contact for you. Helping you to resolve your hardware and software issues and minimizing downtime in your business critical environment.

**Additional Services:** Factory Express, Education Services, Proactive Select - 30 Credit Package

#### Standard Care

##### **Standard Care: Service recommendation that maintains high level of server availability**

##### **HP ProLiant Server Hardware Installation**

Provides for the basic hardware installation of HP branded servers, storage devices and networking options to assist you in bringing your new hardware into operation in a timely and professional manner

### Service and Support

<http://h20195.www2.hp.com/V2/GetPDF.aspx/5981-9356EN.pdf>

#### **HP Installation and Startup for Insight Control Software / HP SIM**

Provides for the deployment and basic configuration of HP Insight Control or HP SIM (Systems Insight Manager) on HP ProLiant ML and DL series servers or HP BladeSystem servers

<http://h20195.www2.hp.com/v2/GetPDF.aspx/4AA0-9972ENW.pdf>

#### **3-Year HP 24x7 4 hour Response, Collaborative Support**

Provides problem resolution support across the stack of HW, firmware, and HP and 3rd party SW. In case the issue is with 3rd party SW, HP does known issue resolution. If HP cannot solve the issue, it will contact the third-party vendor and create a problem incident on your behalf.

<http://h20195.www2.hp.com/V2/GetPDF.aspx/4AA3-8232ENW.pdf>

**Additional Services:** Software support service with 24X7 availability with a 2 hour response, Training courses on Microsoft, Linux (Red Hat and SUSE), VMware, and HP Insight Software, 10 Proactive Select Credit package, Factory Express

<http://www8.hp.com/us/en/business-services/it-services.html?compURI=1078865>

### Basic Care

#### **Basic Care: delivers minimum recommended support service level**

##### **HP ProLiant Server Hardware Installation**

Provides for the basic hardware installation of HP branded servers, storage devices and networking options to assist you in bringing your new hardware into operation in a timely and professional manner

<http://h20195.www2.hp.com/V2/GetPDF.aspx/5981-9356EN.pdf>

##### **3-Year HP 24x7 4 hour Response, Hardware Support Onsite Service**

Provides for the deployment and basic configuration of HP Insight Control on HP ProLiant ML and DL series servers or HP BladeSystem servers

<http://h20195.www2.hp.com/v2/GetPDF.aspx/4AA0-9972ENW.pdf>

**Additional Services** -Software OS (Microsoft, Linux (SUSE/Red Hat) & VMware) Installation & Start Up and Software Support; +30 Proactive Select Credits, Factory Express.

### Insight Remote Support

Provides 24 X 7 remote monitoring, proactive notifications, and problem resolution. Learn more

<http://www.hp.com/go/insightremotesupport>

### HP Support Center

Personalized online support portal with access to information, tools and experts to support HP business products. Submit support cases online, chat with HP experts, access support resources or collaborate with peers. Learn more

<http://www.hp.com/go/hpsc>

HP's Support Center Mobile App\* allows you to resolve issues yourself or quickly connect to an agent for live support. Now, you can get access to personalized IT support anywhere, anytime.

HP Insight Remote Support and HP Support Center are available at no additional cost with a HP warranty, HP Care Pack or HP contractual support agreement.

\*HP Support Center Mobile App is subject to local availability

### Warranty / Service Coverage

For ProLiant servers and storage systems, the services cover HP-branded hardware options qualified for the server, purchased at the same time or afterward, internal to the enclosure, as well as external monitors up to 22" and tower UPS products; these items will be covered at the same service level and for the same coverage period as the server unless the maximum supported lifetime and/or the maximum usage limitation has been exceeded. Coverage of the UPS battery is not included; standard warranty terms and conditions apply.



### Service and Support

The defective media retention service feature option applies only to Disk or eligible SSD/Flash Drives replaced by HP due to malfunction. It does not apply to any exchange of Disk or SSD/Flash Drives that have not failed. SSD/Flash Drives that are specified by HP as consumable parts and/or that have exceeded maximum supported lifetime and/or the maximum usage limit as set forth in the manufacturer's operating manual or the technical data sheet are not eligible for the defective media retention service feature option.

**For more information**

To learn more on HP ProLiant servers and HP BladeSystem servers, please contact your HP sales representative or HP Authorized Channel Partner. Or visit: <http://www.hp.com/services/proliant>

### Pre-configured Models

**NOTE:** For the Standard Features shipped in the "Factory Integrated Models", please see the "Configuration Information - Factory Integrated Models" section.

**NOTE:** Pre-configured models ship with the configurations below. Options can be selected from the Core or Additional options section of this QuickSpecs.

**NOTE:** HP does not allow factory integration of options into pre-configured models. Any additional options purchased will be shipped separately.

**NOTE:** If you desire a custom configuration please see "Configuration Information - Factory Integrated Models" section of this QuickSpecs.

**NOTE:** All Pre-configured Models come populated with some hard drive blanks installed. Should the customer need additional hard drive blanks, they can order more using either P/N 666987-B21: HP SFF Gen8 Hard Drive Blank Kit or P/N 666986-B21: HP LFF Gen8 Hard Drive Blank Kit.

### Entry Models

<b>HP ProLiant ML350p Gen8 E5-2609 1P 4GB-R P420i Hot Plug 6 LFF 460W PS Entry Svr</b> 646675-001	<b>Processor</b>	(1) Intel® Xeon® E5-2609 (2.40GHz/4-core/10MB/6.4GT-s QPI/80W) Processor
	<b>Cache Memory</b>	10MB (1 x 10MB) L3
	<b>Memory</b>	4GB (1x4GB) PC3L-10600R (DDR3-1333) Registered DIMMS <b>NOTE:</b> 11 DIMM slots available (23 if second processor is purchased).
	<b>Network Controller</b>	HP 1Gb Ethernet 4-port 331i Adapter
	<b>Storage Controller</b>	HP Smart Array P420i/Zero Memory Controller
	<b>Hard Drive</b>	None ship standard; includes 5 LFF hard drive blanks
	<b>Internal Storage</b>	(6) Hot plug LFF SAS/SATA HDD bays; upgradable to (18)
	<b>Optical Drive</b>	HP Half-Height SATA DVD-ROM Optical Drive
	<b>Power Supply</b>	(1) HP 460W Common Slot Gold Hot Plug Power Supply
	<b>Fans</b>	3 hot plug, non-redundant fans
	<b>Accessories</b>	USB Keyboard and Mouse ship standard <b>NOTE:</b> EURO (-421) Models excludes the keyboard.
	<b>Management</b>	HP iLO Management Engine (standard) Optional: HP Insight Control
	<b>Form Factor</b>	Tower (5U)
	<b>Warranty</b>	Server Warranty includes 3-Year Parts, 3-Year Labor, 3-Year Onsite support with next business day response

### Pre-configured Models

#### Base Models

<p><b>HP ProLiant ML350p Gen8 E5-2620 1P 8GB-R P420i Hot Plug 8 SFF 460W PS Base Svr 646676-001</b></p>	<p><b>Processor</b> (1) Intel® Xeon® E5-2620 (2.00GHz/6-core/15MB/7.2GT-s QPI/95W, DDR3-1333, HT, Turbo2- 3/3/4/4/5/5) Processor</p> <p><b>Cache Memory</b> 15MB (1 x 15MB) L3</p> <p><b>Memory</b> 8GB (2x4GB) PC3L-10600R (DDR3-1333) Registered DIMMS <b>NOTE: 10 DIMM slots available (22 if second processor is purchased).</b></p> <p><b>Network Controller</b> HP 1Gb Ethernet 4-port 331i Adapter</p> <p><b>Storage Controller</b> HP Smart Array P420i/512M FBWC Controller</p> <p><b>Hard Drive</b> None ship standard; includes 7 SFF hard drive blanks</p> <p><b>Internal Storage</b> (8) Hot plug SFF SAS/SATA HDD bays; upgradable to (24)</p> <p><b>Optical Drive</b> HP Half-Height SATA DVD-ROM Optical Drive</p> <p><b>Power Supply</b> (1) HP 460W Common Slot Gold Hot Plug Power Supply</p> <p><b>Fans</b> 3 hot plug, non-redundant fans</p> <p><b>Accessories</b> USB Keyboard and Mouse ship standard <b>NOTE: EURO (-421) Models excludes the keyboard.</b></p> <p><b>Management</b> HP iLO Management Engine (standard) Optional: HP Insight Control</p> <p><b>Form Factor</b> Tower (5U)</p> <p><b>Warranty</b> Server Warranty includes 3-Year Parts, 3-Year Labor, 3-Year Onsite support with next business day response</p>
---	---

<p><b>HP ProLiant ML350p Gen8 E5-2630 1P 8GB-R P420i Hot Plug 8 SFF 750W PS Base Svr 646677-001</b></p>	<p><b>Processor</b> (1) Intel® Xeon® E5-2630 (2.30GHz/6-core/15MB/7.2GT-s QPI/95W, DDR3-1333, HT, Turbo2- 3/3/4/4/5/5) Processor</p> <p><b>Cache Memory</b> 15MB (1 x 15MB) L3</p> <p><b>Memory</b> 8GB (2x4GB) PC3L-10600R (DDR3-1333) Registered DIMMS <b>NOTE: 10 DIMM slots available (22 if second processor is purchased).</b></p> <p><b>Network Controller</b> HP 1Gb Ethernet 4-port 331i Adapter</p> <p><b>Storage Controller</b> HP Smart Array P420i/1G FBWC Controller</p> <p><b>Hard Drive</b> None ship standard; includes 7 SFF hard drive blanks</p> <p><b>Internal Storage</b> (8) Hot plug SFF SAS/SATA HDD bays; upgradable to (24)</p> <p><b>Optical Drive</b> HP Half-Height SATA DVD-RW Optical Drive</p> <p><b>Power Supply</b> (1) HP 750W Common Slot Platinum Plus Hot Plug Power Supply</p> <p><b>Management</b> HP iLO Management Engine (standard) Optional: HP Insight Control</p> <p><b>Fans</b> 3 hot plug, non-redundant fans</p> <p><b>Form Factor</b> Rack (5U)</p> <p><b>Warranty</b> Server Warranty includes 3-Year Parts, 3-Year Labor, 3-Year Onsite support with next business day response</p>
---	--

### Pre-configured Models

#### Performance Models

**NOTE:** These Models are Energy Star Certified.

<p><b>HP ProLiant ML350p Gen8 Processor E5-2650 2P 16GB-R P420i Hot Plug SFF 750W PS ES Server</b> 678237-001</p>	<p><b>Processor</b> (2) Intel® Xeon® E5-2650 (2.0GHz/8-core/20MB/8GT-s QPI/95W, DDR3-1600, HT, Turbo2- 4/4/5/5/5/7/8/8) Processors</p> <p><b>Cache Memory</b> 20MB (1 x 20MB) L3</p> <p><b>Memory</b> 16GB (4x4GB) PC3L-10600R (DDR3-1333) Registered DIMMS <b>NOTE: 20 DIMM slots available.</b></p> <p><b>Network Controller</b> HP 1Gb Ethernet 4-port 331i Adapter</p> <p><b>Storage Controller</b> HP Smart Array P420i/2G FBWC Controller</p> <p><b>Hard Drive</b> None ship standard; includes 7 SFF hard drive blanks</p> <p><b>Internal Storage</b> (8) Hot plug SFF SAS/SATA HDD bays; upgradable to (24)</p> <p><b>Optical Drive</b> HP Half-Height SATA DVD-RW Optical Drive</p> <p><b>Power Supply</b> (2) HP 750W Common Slot Platinum Plus Hot Plug Power Supply</p> <p><b>Fans</b> 4 hot plug, redundant fans plus louvers</p> <p><b>Accessories</b> USB Keyboard and Mouse ship standard <b>NOTE: EURO (-421) Models excludes the keyboard.</b></p> <p><b>Management</b> HP iLO Management Engine (standard) HP Insight Control Standard</p> <p><b>Energy Star</b> Meets Energy Star requirements</p> <p><b>Form Factor</b> Tower (5U)</p> <p><b>Warranty</b> Server Warranty includes 3-Year Parts, 3-Year Labor, 3-Year Onsite support with next business day response</p>
---	---

<p><b>HP ProLiant ML350p Gen8 Processor E5-2640 2P 16GB-R P420i Hot Plug 8 SFF 750W PS Perf Svr</b> 646678-001</p>	<p><b>Processor</b> (2) Intel® Xeon® E5-2640 (2.50GHz/6-core/15MB/7.2GT-s QPI/95W, DDR3-1333, HT, Turbo2- 3/3/4/4/5/5) Processors</p> <p><b>Cache Memory</b> 15MB (1 x 15MB) L3</p> <p><b>Memory</b> 16GB (4x4GB) PC3L-10600R (DDR3-1333) Registered DIMMS <b>NOTE: 20 DIMM slots available.</b></p> <p><b>Network Controller</b> HP 1Gb Ethernet 4-port 331i Adapter</p> <p><b>Storage Controller</b> HP Smart Array P420i/2G FBWC Controller</p> <p><b>Hard Drive</b> None ship standard; includes 7 SFF hard drive blanks</p> <p><b>Internal Storage</b> (8) Hot plug SFF SAS/SATA HDD bays; upgradable to (24)</p> <p><b>Optical Drive</b> HP Half-Height SATA DVD-RW Optical Drive</p> <p><b>Power Supply</b> (2) HP 750W Common Slot Platinum Plus Hot Plug Power Supplies</p> <p><b>Fans</b> 4 hot plug, redundant fans plus louvers</p> <p><b>Management</b> HP iLO Management Engine (standard) HP Insight Control Standard</p> <p><b>Energy Star</b> Meets Energy Star requirements</p> <p><b>Form Factor</b> Rack (5U)</p> <p><b>Warranty</b> Server Warranty includes 3-Year Parts, 3-Year Labor, 3-Year Onsite support with next business day response</p>
--	---

### Smart Buys

<p><b>HP ProLiant ML350p Gen8 Processor</b>  <b>E5-2620 LFF Svr/S-Buy</b>          686713-S01</p>	<p><b>Cache Memory</b>  <b>Memory</b></p> <p><b>Network Controller</b></p> <p><b>Storage Controller</b></p> <p><b>Hard Drive</b></p> <p><b>Internal Storage</b></p> <p><b>Optical Drive</b></p> <p><b>Power Supply</b></p> <p><b>Fans</b></p> <p><b>Management</b></p> <p><b>Form Factor</b></p> <p><b>Warranty</b></p>	<p>Intel® Xeon® E5-2620 (2.0GHz/6-core/15MB/7.2GT-s QPI/95W, DDR3-1333, HT, Turbo2- 3/3/4/4/5/5)</p> <p>15MB (1 x 15MB) L3 cache</p> <p>8GB (2x4GB) DDR3 RDIMM Low Voltage  <b>NOTE: 10 additional DIMM slots available (22 if second processor is purchased).</b></p> <p>HP 1Gb Ethernet 4-port 331i Adapter</p> <p>HP Smart Array P420i/512MB FBWC Controller</p> <p>None ship standard</p> <p>(6) Hot plug LFF SAS/SATA HDD bays</p> <p>HP Half-Height SATA DVD-RW Optical JB Drive</p> <p>HP 460W Common Slot Gold Hot Plug Power Supply Kit</p> <p>3 hot plug, non-redundant fans; upgradeable to 4 redundant fans with kit</p> <p>iLO Management Engine Standard</p> <p>Tower (5U)</p> <p>Server Warranty includes 3-Year Parts, 3-Year Labor, 3-Year Onsite support with next business day response</p>
---	---	--

<p><b>HP ProLiant ML350p Gen8 Processor</b>  <b>E5-2620 SFF Svr/S-Buy</b>          686714-S01</p>	<p><b>Cache Memory</b>  <b>Memory</b></p> <p><b>Network Controller</b></p> <p><b>Storage Controller</b></p> <p><b>Hard Drive</b></p> <p><b>Internal Storage</b></p> <p><b>Optical Drive</b></p> <p><b>Power Supply</b></p> <p><b>Fans</b></p> <p><b>Management</b></p> <p><b>Form Factor</b></p> <p><b>Warranty</b></p>	<p>Intel® Xeon® E5-2620 (2.0GHz/6-core/15MB/7.2GT-s QPI/95W, DDR3-1333, HT, Turbo2- 3/3/4/4/5/5)</p> <p>15MB (1 x 15MB) L3 cache</p> <p>8GB (2x4GB) DDR3 RDIMM Low Voltage  <b>NOTE: 10 additional DIMM slots available. (22 if second processor is purchased)</b></p> <p>HP 1Gb Ethernet 4-port 331i Adapter</p> <p>HP Smart Array P420i/512MB FBWC Controller</p> <p>None ship standard</p> <p>HP Half-Height SATA DVD-RW Optical JB Drive</p> <p>HP 460W Common Slot Gold Hot Plug Power Supply Kit</p> <p>460 Watt Power Supply</p> <p>3 hot plug, non-redundant fans; upgradeable to 4 redundant fans with kit</p> <p>iLO Management Engine Standard</p> <p>Tower (5U)</p> <p>Server Warranty includes 3-Year Parts, 3-Year Labor, 3-Year Onsite support with next business day response</p>
---	---	---

### Configuration Information - Factory Integrated Models

**NOTE:** This section lists some of the steps required to configure a Factory Integrated Model. To ensure only valid configurations are ordered, HP recommends the use of an HP approved configurator. Contact your local sales representative for information on configurable product offerings and requirements.

**NOTE:** Factory Integrated Models must start with a CTO Server.

**NOTE:** FIO indicates that this option is only available as a factory installable option.

**NOTE:** All Factory Integrated Models will be populated with sufficient hard drive blanks based on the number of initial hard drives ordered with the server.

### Step 1: Base Configuration (choose one of the following configurable models)

#### HP Models

#### ML350p Gen8 Tower Models

HP ProLiant ML350p Gen8 Hot Plug 8 SFF Configure-to-order Tower Server 652065-B21

#### Includes:

HP 1Gb Ethernet 4-port 331i Adapter  
 HP Smart Array P420i Controller  
 Eight (8) Hot-Plug (SFF) SAS/SATA Drive Bays  
 Seven (7) HDD blanks  
 Ten (10) USB ports  
 Eight (8) PCIe 3.0 slots (3x16, 1x8, 4x4), One (1) PCIe 2.0 slot (1x4)  
 USB Keyboard & Mouse (optional)  
 HP iLO Management Engine (standard)  
 Tower (5U) form factor  
 SID Module (optional)

HP ProLiant ML350p Gen8 Hot Plug 6 LFF Configure-to-order Tower Server 652066-B21

#### Includes:

HP 1Gb Ethernet 4-port 331i Adapter  
 HP Smart Array P420i Controller  
 Six (6) Hot-Plug (LFF) SAS/SATA Drive Bays  
 Five (5) HDD blanks  
 Ten (10) USB ports  
 Eight (8) PCIe 3.0 slots (3x16, 1x8, 4x4), One (1) PCIe 2.0 slot (1x4)  
 USB Keyboard & Mouse (optional)  
 HP iLO Management Engine (standard)  
 Tower (5U) form factor  
 SID Module (optional)

#### ML350p Gen8 Rack Models

HP ProLiant ML350p Gen8 Hot Plug 8 SFF Configure-to-order Rack Server 652063-B21

#### Includes:

HP 1Gb Ethernet 4-port 331i Adapter  
 HP Smart Array P420i Controller  
 Eight (8) Hot-Plug (SFF) SAS/SATA Drive Bays  
 Seven (7) HDD blanks  
 Ten (10) USB ports  
 Eight (8) PCIe 3.0 slots (3x16, 1x8, 4x4), One (1) PCIe 2.0 slot (1x4)  
 HP iLO Management Engine (standard)  
 Rack (5U) form factor  
 Sliding Rail Kit  
 SID module (standard)

### Configuration Information - Factory Integrated Models

HP ProLiant ML350p Gen8 Hot Plug 6 LFF Configure-to-order Rack Server 652064-B21

**Includes:**

HP Embedded 1 Gb Ethernet 4-port 331i Adapter  
 Embedded HP Smart Array P420i Controller  
 Six(6) Hot-Plug (LFF) SAS/SATA Drive Bays  
 Five(5) HDD blanks  
 Ten (10) USB ports  
 Eight (8) PCIe 3.0 slots (3x16, 1x8, 4x4), One (1) PCIe 2.0 slot (1x4)  
 HP iLO Management Engine (standard)  
 Rack (5U) form factor  
 Sliding Rail Kit  
 SID module (standard)

### Step 2: Choose Required Options (only one of the following from each list unless otherwise noted)

**HP Processors**

**Entry Processors**

**NOTE:** All support up to 1066MHz memory speeds.

HP ML350p Gen8 Intel® Xeon® E5-2609 (2.40GHz/4-core/10MB/80W) FIO Processor Kit 660597-L21  
 HP ML350p Gen8 Intel® Xeon® E5-2603 (1.8GHz/4-core/10MB/80W) FIO Processor Kit 660595-L21

**Base Processors**

**NOTE:** All support up to 1333MHz DDR3 memory speeds.

HP ML350p Gen8 Intel® Xeon® E5-2640 (2.5GHz/6-core/15MB/95W) FIO Processor Kit 660600-L21  
 HP ML350p Gen8 Intel® Xeon® E5-2630 (2.30GHz/6-core/15MB/95W) FIO Processor Kit 660599-L21  
 HP ML350p Gen8 Intel® Xeon® E5-2620 (2.0GHz/6-core/15MB/95W) FIO Processor Kit 660598-L21  
 HP ML350p Gen8 Intel® Xeon® E5-2630L (2.0GHz/6-core/15MB/60W) FIO Processor Kit 660607-L21

**Performance Processors**

**NOTE:** All support up to 1600MHz DDR3 memory speeds.

HP ML350p Gen8 Intel® Xeon® E5-2690 (2.9GHz/8-core/20MB/135W) FIO Processor Kit 660605-L21  
 HP ML350p Gen8 Intel® Xeon® E5-2680 (2.7GHz/8-core/20MB/130W) FIO Processor Kit 660604-L21  
 HP ML350p Gen8 Intel® Xeon® E5-2670 (2.6GHz/8-core/20MB/115W) FIO Processor Kit 660603-L21  
 HP ML350p Gen8 Intel® Xeon® E5-2667 (2.9GHz/6-core/15MB/130W) FIO Processor Kit 660608-L21  
 HP ML350p Gen8 Intel® Xeon® E5-2665 (2.4GHz/8-core/20MB/115W) FIO Processor Kit 660596-L21  
 HP ML350p Gen8 Intel® Xeon® E5-2660 (2.2GHz/8-core/20MB/95W) FIO Processor Kit 660602-L21  
 HP ML350p Gen8 Intel® Xeon® E5-2650 (2.0GHz/8-core/20MB/95W) FIO Processor Kit 660601-L21  
 HP ML350p Gen8 Intel® Xeon® E5-2650L (1.8GHz/8-core/20MB/70W) FIO Processor Kit 660606-L21  
 HP ML350p Gen8 Intel® Xeon® E5-2643 (3.3GHz/4-core/10MB/130W) FIO Processor Kit 678242-L21  
 HP ML350p Gen8 Intel® Xeon® E5-2637 (3.0GHz/2-core/5MB/80W) FIO Processor Kit 678244-L21

**HP Memory**

**NOTE:** HP memory from previous generation servers are not qualified or warranted with this HP ProLiant Server. HP SmartMemory is required to realize the memory performance improvements and enhanced functionality listed in this document for Gen8. For additional information, please see the HP SmartMemory QuickSpecs at: [http://h18000.www1.hp.com/products/quickspecs/14225\\_na/14225\\_na.html](http://h18000.www1.hp.com/products/quickspecs/14225_na/14225_na.html)

**NOTE:** LRDIMM, RDIMM and UDIMMs are all distinct memory technologies and cannot be

### Configuration Information - Factory Integrated Models

mixed within a server. The majority of ProLiant Gen8 servers support RDIMM, UDIMM and LRDIMM.

#### Registered DIMMs (RDIMMs)

HP 4GB (1x4GB) Single Rank x4 PC3L-10600R (DDR3-1333) Registered CAS-9 Low Voltage Memory Kit	647893-B21
HP 4GB (1x4GB) Single Rank x4 PC3-12800R (DDR3-1600) Registered CAS-11 Memory Kit	647895-B21
HP 8GB (1x8GB) Dual Rank x4 PC3L-10600R (DDR3-1333) Registered CAS-9 Low Voltage Memory Kit	647897-B21
HP 8GB (1x8GB) Single Rank x4 PC3-12800R (DDR3-1600) Registered CAS-11 Memory Kit	647899-B21
HP 8GB (1x8GB) Dual Rank x4 PC3-12800R (DDR3-1600) Registered CAS-11 Memory Kit	690802-B21
HP 16GB (1x16GB) Dual Rank x4 PC3L-10600R (DDR3-1333) Registered CAS-9 Low Voltage Memory Kit	647901-B21
HP 16GB (1x16GB) Dual Rank x4 PC3-12800R (DDR3-1600) Registered CAS-11 Memory Kit	672631-B21

#### Unbuffered with ECC DIMMs (UDIMMs)

HP 2GB (1x2GB) Single Rank x8 PC3-12800E (DDR3-1600) Unbuffered CAS-11 Memory Kit	669320-B21
HP 2GB (1x2GB) Single Rank x8 PC3L-10600E (DDR3-1333) Unbuffered CAS-9 Low Voltage Memory Kit	647905-B21
HP 4GB (1x4GB) Dual Rank x8 PC3-12800E (DDR3-1600) Unbuffered CAS-11 Memory Kit	669322-B21
HP 4GB (1x4GB) Dual Rank x8 PC3L-10600E (DDR3-1333) Unbuffered CAS-9 Low Voltage Memory Kit	647907-B21
HP 8GB (1x8GB) Dual Rank x8 PC3-12800E (DDR3-1600) Unbuffered CAS-11 Memory Kit	669324-B21
HP 8GB (1x8GB) Dual Rank x8 PC3L-10600E (DDR3-1333) Unbuffered CAS-9 Low Voltage Memory Kit	647909-B21

#### Load Reduced DIMMs (LRDIMMs)

HP 32GB (1x32GB) Quad Rank x4 PC3L-10600L (DDR3-1333) Load Reduced CAS-9 Low Voltage Memory Kit	647903-B21
---	------------

**NOTE:** All DDR3 memory option kits consist of one DIMM per kit. For detailed memory configuration rules and guidelines, please use the Online DDR3 Memory Configuration Tool: [www.hp.com/go/ddr3memory-configurator](http://www.hp.com/go/ddr3memory-configurator).

**NOTE:** Depending on the memory configuration and processor model, 1600MHz and 1333MHz memory may operate at a lower speed. Please see the "Memory" section later in this document and the Online Memory Configuration Tool for details at [www.hp.com/go/ddr3memory-configurator](http://www.hp.com/go/ddr3memory-configurator).

#### HP Power Supplies

**NOTE:** Mixing of power supplies in the same server is not supported. All power supplies inside a server must be exactly the same model. Mixing Gold, Platinum, and Platinum Plus certified power supplies is not supported.

**NOTE:** Prior to making a power supply selection it is highly recommended that the HP Power Advisor is run to determine the right size power supply for your server configuration. The HP Power Advisor is located at: [www.hp.com/go/hppoweradvisor](http://www.hp.com/go/hppoweradvisor)



### Configuration Information - Factory Integrated Models

#### HP Common Slot Platinum Plus Power Supply Kits

**NOTE:** The following Power Supplies offer 94% Efficiency with support for Intelligent Power Discovery.

HP 460W Common Slot Platinum Plus Hot Plug Power Supply Kit	656362-B21
HP 750W Common Slot Platinum Plus Hot Plug Power Supply Kit	656363-B21
HP 1200W Common Slot Platinum Plus Hot Plug Power Supply Kit	656364-B21

#### HP Common Slot Gold Power Supplies

**NOTE:** The following Power Supplies offer up to 92% efficiency.

HP 460W Common Slot Gold Hot Plug Power Supply Kit	503296-B21
HP 750W Common Slot Gold Hot Plug Power Supply Kit	512327-B21

#### HP Common Slot -48VDC Power Supplies

HP 750W Common Slot -48VDC Hot Plug Power Supply Kit	636673-B21
--	------------

**NOTE:** The HP 750W Common Slot -48VDC power supply does not ship with a power cable. It has been designed with a terminal block connection allowing for custom design of power cords by the user.

#### Enablement Kit

HP 4X1200W RPS FIO Enablement Kit	659487-B21
-----------------------------------	------------

**NOTE:** This kit Requires the selection of either 2 x 1200W power supply kits or 4 x 1200w power supply kits.

### Step 3: Choose Additional Factory Integratable Options (only one of the following from each list unless otherwise noted)

<b>HP Graphics Options</b>	HP 3rd FIO Graphic Card Power Cable Kit <b>NOTE:</b> This FIO kit only require when 3 graphic card order.	700835-B21
<b>HP SID Module</b>	HP Systems Insight Display FIO Kit <b>NOTE:</b> Provides health status for key components (for CTO Tower Models only, standard in Rack Models)	660583-B21

<b>HP Insight Software</b>	HP Insight Control including 1yr 24x7 Support ProLiant ML/DL/BL-bundle Single Server FIO License	C6N36A
----------------------------	--	--------

### Step 4: Choose Additional Options for Factory Integration

**NOTE:** For additional options, please refer to the "Core Options" and "Additional Options" section below.

### Core Options

**NOTE:** Some options may not be integrated at the factory. Contact your local sales representative for additional information.

<b>HP Unique Options</b>	HP Hot Plug Redundant Fan Kit	659486-B21
	HP Tower to Rack Conversion Tray Kit	659488-B21
	HP Security Bezel Kit	660584-B21
	<b>NOTE:</b> For restricting access to a rack model	
	HP Graphic Card Support Kit	660582-B21
	<b>NOTE:</b> The ML350p Gen8 supports up to 3 graphic cards . HP Graphic Card Support Kit (660582-B21) will be required per Graphic Card HP 3rd Graphic Card Power Cable FIO Kit (700835-B21) will be an additional request for the 3rd graphics card support	
	<b>NOTE:</b> Please see the HP Power Advisor for estimated power consumption of your individual system configuration prior to installing GPUs. The HP Power Advisor is located at: <a href="http://www.hp.com/go/hppoweradvisor">www.hp.com/go/hppoweradvisor</a> .	

### HP Processors

#### Entry Processors

**NOTE:** All support up to 1066MHz memory speeds.

HP ML350p Gen8 Intel® Xeon® E5-2609 (2.40GHz/4-core/10MB/80W) Processor Kit	660597-B21
HP ML350p Gen8 Intel® Xeon® E5-2603 (1.8GHz/4-core/10MB/80W) Processor Kit	660595-B21

#### Base Processors

**NOTE:** All support up to 1333MHz DDR3 memory speeds.

HP ML350p Gen8 Intel® Xeon® E5-2640 (2.5GHz/6-core/15MB/95W) Processor Kit	660600-B21
HP ML350p Gen8 Intel® Xeon® E5-2630 (2.30GHz/6-core/15MB/95W) Processor Kit	660599-B21
HP ML350p Gen8 Intel® Xeon® E5-2620 (2.0GHz/6-core/15MB/95W) Processor Kit	660598-B21
HP ML350p Gen8 Intel® Xeon® E5-2630L (2.0GHz/6-core/15MB/60W) Processor Kit	660607-B21

#### Performance Processors

**NOTE:** All support up to 1600MHz DDR3 memory speeds.

HP ML350p Gen8 Intel® Xeon® E5-2690 (2.9GHz/8-core/20MB/135W) Processor Kit	660605-B21
HP ML350p Gen8 Intel® Xeon® E5-2680 (2.7GHz/8-core/20MB/130W) Processor Kit	660604-B21
HP ML350p Gen8 Intel® Xeon® E5-2670 (2.6GHz/8-core/20MB/115W) Processor Kit	660603-B21
HP ML350p Gen8 Intel® Xeon® E5-2667 (2.9GHz/6-core/15MB/130W) Processor Kit	660608-B21
HP ML350p Gen8 Intel® Xeon® E5-2665 (2.4GHz/8-core/20MB/115W) Processor Kit	660596-B21
HP ML350p Gen8 Intel® Xeon® E5-2660 (2.2GHz/8-core/20MB/95W) Processor Kit	660602-B21
HP ML350p Gen8 Intel® Xeon® E5-2650 (2.0GHz/8-core/20MB/95W) Processor Kit	660601-B21
HP ML350p Gen8 Intel® Xeon® E5-2650L (1.8GHz/8-core/20MB/70W) Processor Kit	660606-B21
HP ML350p Gen8 Intel® Xeon® E5-2643 (3.3GHz/4-core/10MB/130W) Processor Kit	678242-B21
HP ML350p Gen8 Intel® Xeon® E5-2637 (3.0GHz/2-core/5MB/80W) Processor Kit	678244-B21

### HP Memory

**NOTE:** HP memory from previous generation servers are not qualified or warranted with this HP ProLiant Server. HP SmartMemory is required to realize the memory performance improvements and enhanced functionality listed in this document for Gen8. For additional information, please see the HP SmartMemory QuickSpecs at: [http://h18000.www1.hp.com/products/quickspecs/14225\\_na/14225\\_na.html](http://h18000.www1.hp.com/products/quickspecs/14225_na/14225_na.html)

**NOTE:** LRDIMM, RDIMM and UDIMMs are all distinct memory technologies and cannot be

### Core Options

mixed within a server. The majority of ProLiant Gen8 servers support RDIMM, UDIMM and LRDIMM.

#### Registered RDIMMs

HP 4GB (1x4GB) Single Rank x4 PC3L-10600R (DDR3-1333) Registered CAS-9 Low Voltage Memory Kit	647893-B21
HP 4GB (1x4GB) Single Rank x4 PC3-12800R (DDR3-1600) Registered CAS-11 Memory Kit	647895-B21
HP 8GB (1x8GB) Dual Rank x4 PC3L-10600R (DDR3-1333) Registered CAS-9 Low Voltage Memory Kit	647897-B21
HP 8GB (1x8GB) Single Rank x4 PC3-12800R (DDR3-1600) Registered CAS-11 Memory Kit	647899-B21
HP 8GB (1x8GB) Dual Rank x4 PC3-12800R (DDR3-1600) Registered CAS-11 Memory Kit	690802-B21
HP 16GB (1x16GB) Dual Rank x4 PC3L-10600R (DDR3-1333) Registered CAS-9 Low Voltage Memory Kit	647901-B21
HP 16GB (1x16GB) Dual Rank x4 PC3-12800R (DDR3-1600) Registered CAS-11 Memory Kit	672631-B21

#### Unbuffered with ECC DIMMs (UDIMMs)

HP 2GB (1x2GB) Single Rank x8 PC3-12800E (DDR3-1600) Unbuffered CAS-11 Memory Kit	669320-B21
HP 2GB (1x2GB) Single Rank x8 PC3L-10600E (DDR3-1333) Unbuffered CAS-9 Low Voltage Memory Kit	647905-B21
HP 4GB (1x4GB) Dual Rank x8 PC3-12800E (DDR3-1600) Unbuffered CAS-11 Memory Kit	669322-B21
HP 4GB (1x4GB) Dual Rank x8 PC3L-10600E (DDR3-1333) Unbuffered CAS-9 Low Voltage Memory Kit	647907-B21
HP 8GB (1x8GB) Dual Rank x8 PC3-12800E (DDR3-1600) Unbuffered CAS-11 Memory Kit	669324-B21
HP 8GB (1x8GB) Dual Rank x8 PC3L-10600E (DDR3-1333) Unbuffered CAS-9 Low Voltage Memory Kit	647909-B21

#### Load Reduced DIMMs (LRDIMMs)

HP 32GB (1x32GB) Quad Rank x4 PC3L-10600L (DDR3-1333) Load Reduced CAS-9 Low Voltage Memory Kit	647903-B21
---	------------

**NOTE:** All DDR3 memory option kits consist of one DIMM per kit. For detailed memory configuration rules and guidelines, please use the Online DDR3 Memory Configuration Tool: [www.hp.com/go/ddr3memory-configurator](http://www.hp.com/go/ddr3memory-configurator).

**NOTE:** Depending on the memory configuration and processor model, 1600MHz and 1333MHz memory may operate at a lower speed. Please see the "Memory" section later in this document and the Online Memory Configuration Tool for details at [www.hp.com/go/ddr3memory-configurator](http://www.hp.com/go/ddr3memory-configurator).

### Core Options

<b>HP Optical Drives</b>	HP Half-Height SATA DVD ROM JackBlack Optical Drive	624189-B21
	HP Half-Height SATA DVD RW JackBlack Optical Drive	624192-B21

**NOTE:** A total of two optical drives can be added. A second and third optical drive requires the HP 2nd Media Bay Cage Kit (Part Number 661618-B21).

### HP Hard Drives

**NOTE:** The components of a storage subsystem (e.g. the drive, the HBA/controller, firmware, and the server backplane) should operate at the same data transfer rate or the system bandwidth will be negotiated down to an acceptable level for all components.

**NOTE:** Hard drives have either a one year or three year warranty; refer to the specific hard drive QuickSpecs for details.

#### SAS Hot Plug with SmartDrive SFF (2.5-inch) Enterprise Drives

HP 900GB 6G SAS 10K rpm SFF (2.5-inch) SC Enterprise 3yr Warranty Hard Drive	652589-B21
HP 600GB 6G SAS 10K rpm SFF (2.5-inch) SC Enterprise 3yr Warranty Hard Drive	652583-B21
HP 450GB 6G SAS 10K rpm SFF (2.5-inch) SC Enterprise 3yr Warranty Hard Drive	652572-B21
HP 300GB 6G SAS 10K rpm SFF (2.5-inch) SC Enterprise 3yr Warranty Hard Drive	652564-B21
HP 300GB 6G SAS 15K rpm SFF (2.5-inch) SC Enterprise 3yr Warranty Hard Drive	652611-B21
HP 146GB 6G SAS 15K rpm SFF (2.5-inch) SC Enterprise 3yr Warranty Hard Drive	652605-B21

#### SAS Hot Plug SmartDrive SFF (2.5-inch) Midline Drives

HP 1TB 6G SAS 7.2K rpm SFF (2.5-inch) SC Midline 1yr Warranty Hard Drive	652749-B21
HP 500GB 6G SAS 7.2K rpm SFF (2.5-inch) SC Midline 1yr Warranty Hard Drive	652745-B21

#### SAS Hot Plug SmartDrive LFF (3.5-inch) Enterprise Drives

HP 600GB 6G SAS 15K rpm LFF (3.5-inch) SC Enterprise 3yr Warranty Hard Drive	652620-B21
HP 450GB 6G SAS 15K rpm LFF (3.5-inch) SC Enterprise 3yr Warranty Hard Drive	652615-B21

#### SAS Hot Plug SmartDrive LFF (3.5-inch) Midline Drives

HP 3TB 6G SAS 7.2K rpm LFF (3.5-inch) SC Midline 1yr Warranty Hard Drive	652766-B21
HP 2TB 6G SAS 7.2K rpm LFF (3.5-inch) SC Midline 1yr Warranty Hard Drive	652757-B21
HP 1TB 6G SAS 7.2K rpm LFF (3.5-inch) SC Midline 1yr Warranty Hard Drive	652753-B21

**NOTE:** Please see the QuickSpecs for Technical Specifications and additional information:

[http://h18000.www1.hp.com/products/quickspecs/12244\\_na/12244\\_na.html](http://h18000.www1.hp.com/products/quickspecs/12244_na/12244_na.html)  
(Worldwide)

#### 6G SATA Hot Plug with SmartDrive SFF (2.5-inch) Midline (MDL) Drives

HP 1TB 6G SATA 7.2K rpm SFF (2.5-inch) SC Midline 1yr Warranty Hard Drive	655710-B21
HP 500GB 6G SATA 7.2K rpm SFF (2.5-inch) SC Midline 1yr Warranty Hard Drive	655708-B21

#### 6G SATA Hot Plug with SmartDrive LFF (3.5-inch) Midline (MDL) Drives

HP 3TB 6G SATA 7.2K rpm LFF (3.5-inch) SC Midline 1yr Warranty Hard Drive	628061-B21
HP 2TB 6G SATA 7.2K rpm LFF (3.5-inch) SC Midline 1yr Warranty Hard Drive	658079-B21
HP 1TB 6G SATA 7.2K rpm LFF (3.5-inch) SC Midline 1yr Warranty Hard Drive	657750-B21
HP 500GB 6G SATA 7.2K rpm LFF (3.5-inch) SC Midline 1yr Warranty Hard Drive	658071-B21

### Core Options

**NOTE:** SATA hard drives have a 1-year warranty. Please see the QuickSpecs for Technical Specifications and additional information:

[http://h18000.www1.hp.com/products/quickspecs/13021\\_na/13021\\_na.html](http://h18000.www1.hp.com/products/quickspecs/13021_na/13021_na.html)  
(Worldwide)

#### **6G SATA ME Hot Plug SFF (2.5-inch) Enterprise Mainstream Solid State Drives**

HP 800GB 6G SATA Mainstream Endurance SFF 2.5-in SC Enterprise Mainstream 3yr Wty Solid State Drive 691868-B21

HP 400GB 6G SATA Mainstream Endurance SFF 2.5-in SC Enterprise Mainstream 3yr Wty Solid State Drive 691866-B21

HP 200GB 6G SATA Mainstream Endurance SFF 2.5-in SC Enterprise Mainstream 3yr Wty Solid State Drive 691864-B21

HP 100GB 6G SATA Mainstream Endurance SFF 2.5-in SC Enterprise Mainstream 3yr Wty Solid State Drive 691862-B21

#### **6G SATA ME Hot Plug SFF (3.5-inch) Enterprise Mainstream Solid State Drives**

HP 800GB 6G SATA Mainstream Endurance LFF 3.5-in SC Enterprise Mainstream 3yr Wty Solid State Drive 691860-B21

HP 400GB 6G SATA Mainstream Endurance LFF 3.5-in SC Enterprise Mainstream 3yr Wty Solid State Drive 691856-B21

HP 200GB 6G SATA Mainstream Endurance LFF 3.5-in SC Enterprise Mainstream 3yr Wty Solid State Drive 691854-B21

HP 100GB 6G SATA Mainstream Endurance LFF 3.5-in SC Enterprise Mainstream 3yr Wty Solid State Drive 691852-B21

#### **6G SAS ME Hot Plug SFF (2.5-inch) Enterprise Mainstream Solid State Drives**

HP 800GB 6G SAS Mainstream Endurance SFF 2.5-in SC Enterprise Mainstream 3yr Wty Solid State Drive 690829-B21

HP 400GB 6G SAS Mainstream Endurance SFF 2.5-in SC Enterprise Mainstream 3yr Wty Solid State Drive 690827-B21

HP 200GB 6G SAS Mainstream Endurance SFF 2.5-in SC Enterprise Mainstream 3yr Wty Solid State Drive 690825-B21

#### **6G SAS SLC Hot Plug SFF (2.5-inch) Enterprise Performance Solid State Drives**

HP 400GB 6G SAS SLC SFF (2.5-inch) SC Enterprise Performance 3yr Warranty Solid State Drive 653082-B21

HP 200GB 6G SAS SLC SFF (2.5-inch) SC Enterprise Performance 3yr Warranty Solid State Drive 653078-B21

#### **3G SATA MLC Hot Plug SFF (2.5-inch) Enterprise Mainstream Solid State Drives**

HP 400GB 3G SATA MLC SFF (2.5-inch) SC Enterprise Mainstream 3yr Warranty Solid State Drive 653120-B21

HP 200GB 3G SATA MLC SFF (2.5-inch) SC Enterprise Mainstream 3yr Warranty Solid State Drive 653118-B21

HP 100GB 3G SATA MLC SFF (2.5-inch) SC Enterprise Mainstream 3yr Warranty Solid State Drive 653112-B21

#### **3G SATA MLC Hot Plug LFF (3.5-inch) Enterprise Mainstream Solid State Drives**

HP 400GB 3G SATA MLC LFF (3.5-inch) SC Enterprise Mainstream 3yr Warranty Solid State Drive 653126-B21

### Core Options

HP 200GB 3G SATA MLC LFF (3.5-inch) SC Enterprise Mainstream 3yr Warranty Solid State Drive 653124-B21

HP 100GB 3G SATA MLC LFF (3.5-inch) SC Enterprise Mainstream 3yr Warranty Solid State Drive 653122-B21

**NOTE:** Please see the QuickSpecs for Technical Specifications and additional information:

[http://h18000.www1.hp.com/products/quickspecs/14038\\_na/14038\\_na.html](http://h18000.www1.hp.com/products/quickspecs/14038_na/14038_na.html) (Worldwide)

#### Hard Drive Kits

**NOTE:** All Factory Integrated Models will be populated with sufficient hard drive blanks based on the number of initial hard drives ordered with the server.

HP 2nd Media Bay Cage Kit 661618-B21

HP 5U 6 Large Form Factor (LFF) Hot Plug Drive Cage Kit 659485-B21

HP 5U 8 Small Form Factor (SFF) Hot Plug Drive Cage Kit 659484-B21

HP 5U 6 LFF Expander Hard Drive Cage Kit 661717-B21

HP 5U 8 SFF Expander Hard Drive Cage Kit 661714-B21

HP SFF Gen8 Hard Drive Blank Kit 666987-B21

HP LFF Gen8 Hard Drive Blank Kit 666986-B21

**NOTE:** Mixing of SFF and LFF drive cages is not allowed.

**NOTE:** Additional Hot Plug Drive Cages require a separate Smart Array controller for each drive cage.

**NOTE:** Expander HDD Cage Kit allows up to 18 LFF / 24 SFF HDDs managed under one single controller.

### HP Networking

#### Gigabit Ethernet adapters

HP NC112T PCI Express Gigabit Server Adapter 503746-B21

HP NC365T 4-port Ethernet Server Adapter 593722-B21

HP Ethernet 1Gb 4-port 331T Adapter 647594-B21

HP Ethernet 1Gb 2-port 332T Adapter 615732-B21

HP Ethernet 1Gb 2-port 361T Adapter 652497-B21

#### 10 Gigabit Ethernet adapters

HP NC523SFP 10Gb 2-port Server Adapter 593717-B21

HP Ethernet 10Gb 2-port 530SFP Adapter 652503-B21

HP NC552SFP 10Gb 2-port Ethernet Server Adapter 614203-B21

HP Ethernet 10Gb 2-port 560SFP+ Adapter 665249-B21

**NOTE:** Please see the QuickSpecs for Technical Specifications and additional information: [www.hp.com/go/ProLiantNICs](http://www.hp.com/go/ProLiantNICs)

### Core Options

<b>HP InfiniBand</b>	QLogic InfiniBand 4X QDR PCI-E G2 Dual Port HCA	583211-B21
	HP InfiniBand 4X QDR ConnectX-2 PCIe G2 Dual Port HCA	592520-B21

**NOTE:** Please see the QuickSpecs for additional information:

[http://h18000.www1.hp.com/products/quickspecs/13078\\_na/13078\\_na.html](http://h18000.www1.hp.com/products/quickspecs/13078_na/13078_na.html)

### HP Power Supplies

**NOTE:** Mixing of power supplies in the same server is not supported. All power supplies inside a server must be exactly the same model. Mixing Gold, Platinum, and Platinum Plus certified power supplies is not supported.

**NOTE:** Prior to making a power supply selection it is highly recommended that the HP Power Advisor is run to determine the right size power supply for your server configuration. The HP Power Advisor is located at: [www.hp.com/go/hppoweradvisor](http://www.hp.com/go/hppoweradvisor).

#### HP Common Slot Platinum Plus Power Supply Kits

**NOTE:** The following Power Supplies offer 94% Efficiency with support for Intelligent Power Discovery.

HP 460W Common Slot Platinum Plus Hot Plug Power Supply Kit	656362-B21
---	------------

HP 750W Common Slot Platinum Plus Hot Plug Power Supply Kit	656363-B21
---	------------

HP 1200W Common Slot Platinum Plus Hot Plug Power Supply Kit	656364-B21
--	------------

#### HP Common Slot Gold Power Supplies

**NOTE:** The following Power Supplies offer up to 92% efficiency.

HP 460W Common Slot Gold Hot Plug Power Supply Kit	503296-B21
--	------------

HP 750W Common Slot Gold Hot Plug Power Supply Kit	512327-B21
--	------------

#### HP Common Slot -48VDC Power Supplies

HP 750W Common Slot -48VDC Hot Plug Power Supply Kit	636673-B21
--	------------

**NOTE:** The HP 750W Common Slot -48VDC power supply does not ship with a power cable. It has been designed with a terminal block connection allowing for custom design of power cords by the user.

**NOTE:** Option Kits for AC power supplies include the power supply and one PDU IEC cable.

**NOTE:** Power Specification and Technical Content for supported power supplies can be found at:

[http://h18000.www1.hp.com/products/quickspecs/14209\\_na/14209\\_na.html](http://h18000.www1.hp.com/products/quickspecs/14209_na/14209_na.html)

---

<b>HP Cooling Options</b>	HP Hot Plug Redundant Fan Kit	659486-B21
---------------------------	-------------------------------	------------



### Additional Options

**NOTE:** Some options may not be integrated at the factory. To ensure only valid configurations are ordered, HP recommends the use of an HP approved configurator. Contact your local sales representative for additional information.

#### HP Insight Software

#### HP Insight Control

HP Insight Control including 1yr 24x7 Technical Support and Updates Single Server License	C6N27A
HP Insight Control including 1yr 24x7 Technical Support and Updates Electronic License	C6N28AAE
HP Insight Control Server Provisioning Media Kit	BD883A
HP Insight Management Media Kit	C6N31A
HP Insight Control including 1yr 24x7 Support ProLiant ML/DL/BL-bundle Electronic License	C6N36AAE
HP Insight Control Server Deployment including 1yr 24x7 Support Electronic License	T9082AAE
HP Insight Control Server Deployment including 1yr 24x7 Support Single Server License	452151-B21

**NOTE:** Electronic and Flexible-Quantity licenses can be used to purchase multiple licenses with a single activation key.

**NOTE:** Customer will receive a license entitlement certificate. The license entitlement certificate must be redeemed online or via fax in order to obtain the license activation key(s). Includes one year of 24 x 7 HP Software Technical Support and Update Service.

**NOTE:** Licenses ship without media. The HP Insight Control Media Kit can be ordered separately, or can be downloaded at: <http://www.hp.com/go/insightupdates>.

**NOTE:** For additional license options please see the QuickSpecs at:

[http://h18000.www1.hp.com/products/quickspecs/12631\\_na/12631\\_na.html](http://h18000.www1.hp.com/products/quickspecs/12631_na/12631_na.html)

#### HP Integrated Lights-Out (iLO) Advanced for ProLiant

HP iLO Advanced including 1yr 24x7 Technical Support and Updates Electronic License	TA850AAE
HP iLO Advanced Electronic License with 3yr 24x7 Tech Support and Updates	BD506AAE
HP iLO Advanced including 1yr 24x7 Technical Support and Updates Single Server License	512485-B21
HP iLO Advanced 1 Server License with 3yr 24x7 Tech Support and Updates	BD505A

**NOTE:** For additional license options please see the QuickSpecs at:

[http://h18004.www1.hp.com/products/quickspecs/14276\\_na/14276\\_na.html](http://h18004.www1.hp.com/products/quickspecs/14276_na/14276_na.html)

**NOTE:** For more information, visit: <http://www.hp.com/go/ilo>



### Additional Options

#### High Performance Clusters

##### HP Insight Cluster Management Utility

HP Insight Cluster Management Utility 1yr 24x7 Flexible License QL803B

HP Insight Cluster Management Utility 3yr 24x7 Flexible License BD476A

**NOTE:** These part numbers can be used to purchase one certificate for multiple licenses and support with a single activation key. Each license is for one node (server). Customer will receive a printed end user license agreement and license entitlement certificate via physical shipment. The license entitlement certificate must be redeemed online in order to obtain a license key. Customer also will receive a support agreement.

HP Insight Cluster Management Utility Media BD477A

**NOTE:** For additional license kits please see the QuickSpecs at:

[http://h18004.www1.hp.com/products/quickspecs/12612\\_na/12612\\_na.html](http://h18004.www1.hp.com/products/quickspecs/12612_na/12612_na.html)

##### HP HPC Linux Value Pack

HP High Performance Computing Linux Value Pack 1 Processor Flexible License for ProLiant Servers TC293B

**NOTE:** This part number can be used to purchase one certificate for multiple licenses with a single activation key. Each license is for one socket (a.k.a. processor). Customer will receive a printed end user license agreement and license entitlement certificate via physical shipment. The license entitlement certificate must be redeemed online in order to obtain a license key.

HP High Performance Computing Linux Value Pack Media Kit for ProLiant Servers TC294A

**NOTE:** This part number can be used to purchase media including software and documentation, which will be delivered to the customer.

#### HP I/O Accelerator Options

##### Second Generation Accelerators

HP 365GB Multi Level Cell G2 PCIe ioDrive2 for ProLiant Servers 673642-B21

HP 785GB Multi Level Cell G2 PCIe ioDrive2 for ProLiant Servers 673644-B21

HP 1205GB Multi Level Cell G2 PCIe ioDrive2 for ProLiant Servers 673646-B21

HP 2410GB Multi Level Cell G2 PCIe ioDrive2 Duo for ProLiant Servers 673648-B21

HP 3TB G2 FH/HL PCIe ioDrive2 IO Accelerator for ProLiant Servers 721458-B21

##### First Generation Accelerators

HP 160GB Single Level Cell PCIe ioDrive for ProLiant Servers 600278-B21

**NOTE:** A low-profile PCI bracket is included for use in low-profile slots.

HP 320GB Single Level Cell PCIe ioDrive Duo for ProLiant Servers 600281-B21

**NOTE:** Please see the QuickSpecs for Technical Specifications and additional information:

[http://h18000.www1.hp.com/products/quickspecs/13587\\_na/13587\\_na.html](http://h18000.www1.hp.com/products/quickspecs/13587_na/13587_na.html)

### Additional Options

#### HP Graphics Options

**NOTE:** Only the below listed Graphics cards are HP standard supported options in this server.

**NOTE:** The ML350p Gen8 supports up to 3 graphic cards . HP Graphic Card Support Kit (660582-B21) will be required per Graphic Card.

**NOTE:** Please see the HP Power Advisor for estimated power consumption of your individual system configuration prior to installing GPUs. The HP Power Advisor is located at: [www.hp.com/go/hppoweradvisor](http://www.hp.com/go/hppoweradvisor).

HP Graphic Card Support Kit 660582-B21

NVIDIA Quadro 4000 2GB PCI-E Adapter 655933-B21

NVIDIA Quadro 6000 6GB PCI-E Adapter 655935-B21

**NOTE:** Min/Max rule does not apply to this option. However maximum of Three HP Graphic Card Support Kit can be selected. This Graphic Card Support Kit must be selected along with Graphic cards only.

**NOTE:** OS support only with 64-bit Only: Red Hat Enterprise Linux 5.x, Red Hat Enterprise Linux 6.x, SUSE Linux Enterprise Server 11 SPx , 64-bit Only: Windows Server 2008 R2 SPx.

---

#### HP Security

HP Trusted Platform Module Option 488069-B21

**NOTE:** The TPM (Trusted Platform Module) is a microcontroller chip that can securely store artifacts used to authenticate the server platform. These artifacts can include passwords, certificates and encryption keys. Windows® BitLocker™ Drive Encryption (BitLocker) is a data protection feature available in Windows Server® 2008. BitLocker leverages the enhanced security capabilities of a Trusted Platform Module (TPM) version 1.2. The TPM works with BitLocker to help protect user data and to ensure that a server running Windows Server 2008 has not been tampered with while the system was offline. For more information about TPM, including a white paper, go to: [www.hp.com/go/TPM](http://www.hp.com/go/TPM).

**NOTE:** ProLiant OS pre-installed units will come with the partition required for TPM deployment.

**NOTE:** The TPM key is unique to every TPM deployed server and must be retained. Misplacing or losing the key could result in data loss.

HP Security Bezel Kit 660584-B21

**NOTE:** For restricting access to a rack model

---

### Additional Options

#### HP Storage Controllers

#### SAS Controllers

##### HP Smart Array P420 Controller

HP Smart Array P420/2GB FBWC 6Gb 2-ports Int SAS Controller 631671-B21

HP Smart Array P420/1GB FBWC 6Gb 2-ports Int SAS Controller 631670-B21

##### HP Smart Array P421 Controller

HP Smart Array P421/2GB FBWC 6Gb 2-ports Ext SAS Controller 631674-B21

HP Smart Array P421/1GB FBWC 6Gb 2-ports Ext SAS Controller 631673-B21

##### HP Smart Array P822 Controller

HP Smart Array P822/2GB FBWC 2-ports Int/4-ports Ext SAS Controller 615418-B21

#### Optional Upgrades

HP 1GB P-series Smart Array Flash Backed Write Cache 631679-B21

HP 2GB P-series Smart Array Flash Backed Write Cache 631681-B21

HP 512MB P-series Smart Array Flash Backed Write Cache 661069-B21

HP Smart Array Advanced Pack 2.0 No Media 1 Server 1yr 24x7 Support Software BC377A

HP Smart Array Advanced Pack 2.0 No Media Electronic Lic 1yr 24x7 Support Software BC390AAE

**NOTE:** Please see the QuickSpecs for Technical Specifications and additional information:

[http://h18000.www1.hp.com/products/quickspecs/14228\\_na/14228\\_na.html](http://h18000.www1.hp.com/products/quickspecs/14228_na/14228_na.html)  
(Smart Array P420 Controller)

[http://h18000.www1.hp.com/products/quickspecs/14229\\_na/14229\\_na.html](http://h18000.www1.hp.com/products/quickspecs/14229_na/14229_na.html)  
(Smart Array P421 Controller)

[http://h18000.www1.hp.com/products/quickspecs/14341\\_na/14341\\_na.html](http://h18000.www1.hp.com/products/quickspecs/14341_na/14341_na.html)  
(Smart Array P822 Controller)

[http://h18000.www1.hp.com/products/quickspecs/13200\\_na/13200\\_na.html](http://h18000.www1.hp.com/products/quickspecs/13200_na/13200_na.html)  
(Smart Array Advanced Pack)

#### HP Host Bus Adapters

HP H220 Host Bus Adapter 650933-B21

HP H221 Host Bus Adapter 650931-B21

HP H222 Host Bus Adapter 650926-B21

**NOTE:** Please see the QuickSpecs for Technical Specifications and additional information:

[http://h18004.www1.hp.com/products/quickspecs/14336\\_na/14336\\_na.html](http://h18004.www1.hp.com/products/quickspecs/14336_na/14336_na.html)  
(HBA 220)

[http://h18004.www1.hp.com/products/quickspecs/14222\\_na/14222\\_na.html](http://h18004.www1.hp.com/products/quickspecs/14222_na/14222_na.html)  
(HBA 221)

[http://h18004.www1.hp.com/products/quickspecs/14337\\_na/14337\\_na.html](http://h18004.www1.hp.com/products/quickspecs/14337_na/14337_na.html)  
(HBA 222)

#### SCSI HBA

HP SC11Xe Ultra320 Single Channel/ PCIe x4 SCSI Host Bus Adapter 412911-B21

**NOTE:** Supports external drive attach

**NOTE:** Please see the following QuickSpecs for additional information:

[http://h18000.www1.hp.com/products/quickspecs/12566\\_na/12566\\_na.html](http://h18000.www1.hp.com/products/quickspecs/12566_na/12566_na.html)

### Additional Options

#### HP Tape Backup

**NOTE:** For the complete range of tape drives, autoloaders, libraries and media see: <http://www.hp.com/go/tape>. For hardware and software compatibility of HP tape backup products see: <http://www.hp.com/storage/SPOCK> and [www.hp.com/go/ebs](http://www.hp.com/go/ebs).  
**NOTE:** Installation of tape drive requires ordering of 2nd Media Bay Cage, Part Number 661618-B21.

HP StoreEver LTO-4 Ultrium 1760 SAS Internal WW Tape Drive	EH919B
HP StoreEver LTO-4 Ultrium 1840 SAS Internal Tape Drive	EH860B
HP StoreEver LTO-3 Ultrium 920 SAS Internal Tape Drive	EH847B
HP StoreEver LTO-5 Ultrium 3000 SAS Internal Tape Drive	EH957B
HP StoreEver LTO-6 Ultrium 6250 Tape Drive in 1U Rack-mount Kit	COL99A
HP StoreEver LTO-6 Ultrium 6650 Internal Tape Drive	EH963A
HP StoreEver LTO-6 Ultrium 6650 External Tape Drive	EH964A
HP StoreEver LTO-6 Ultrium 6250 Internal Tape Drive	EH969A
HP StoreEver LTO-6 Ultrium 6250 External Tape Drive	EH970A

#### HP Disk Backup

**NOTE:** For the complete range of RDX drives and media see: <http://www.hp.com/go/rdx>. For hardware and software compatibility of HP disk backup products see: <http://www.hp.com/storage/SPOCK>.

##### HP StoreOnce Backup systems

HP StoreOnce 2620 iSCSI Backup	BB852A
HP StoreOnce 4220 Backup	BB855A

#### HP Storage Options

**NOTE:** The following is a list of all Fibre Channel Host Bus Adapters for Windows and Linux. For detailed compatibility information please see: <http://h18006.www1.hp.com/storage/saninfrastructure/hba.html>

##### Brocade Fibre Channel HBAs

**NOTE:** HP ProLiant ML350p Gen8 Server series limited support for Red Hat Enterprise Linux 5.7 (x86and x86\_64) when installing with Brocade HBAs.

HP 81B 8Gb 1-port PCIe Fibre Channel Host Bus Adapter	AP769B
HP 82B 8Gb 2-port PCIe Fibre Channel Host Bus Adapter	AP770B

##### Emulex Fibre Channel HBAs

HP 81E 8Gb 1-port PCIe Fibre Channel Host Bus Adapter	AJ762B
HP 82E 8Gb 2-port PCIe Fibre Channel Host Bus Adapter	AJ763B
HP SN1000E 16Gb 1-port PCIe Fibre Channel Host Bus Adapter	QR558A
HP SN1000E 16Gb 2-port PCIe Fibre Channel Host Bus Adapter	QR559A

##### QLogic Fibre Channel HBAs

HP 81Q 8Gb 1-port PCIe Fibre Channel Host Bus Adapter	AK344A
HP 82Q 8Gb 2-port PCIe Fibre Channel Host Bus Adapter	AJ764A
HP StoreFabric SN1000Q 16GB 1-port PCIe Fibre Channel Host Bus Adapter	QW971A
HP StoreFabric SN1000Q 16GB 2-port PCIe Fibre Channel Host Bus Adapter	QW972A

##### Converged Network Adapter

### Additional Options

HP CN1000Q Dual Port Converged Network Adapter	BS668A
HP CN1100E Dual Port Converged Network Adapter	BK835A

### HP Uninterruptible Power Systems

#### HP Tower UPS

##### HP T750 G2 UPS Models

HP T750J JP Uninterruptible Power System	AF456A
--	--------

##### HP T1000 G3 UPS Models

HP T1000 G3 1000VA NA Tower Uninterruptible Power System	AF448A
--	--------

##### HP T1500 G3 UPS Models

HP T1500 G3 1400VA NA Tower Uninterruptible Power System	AF450A
--	--------

**NOTE:** Please see the QuickSpecs for additional information:

[http://h18000.www1.hp.com/products/quickspecs/13160\\_na/13160\\_na.html](http://h18000.www1.hp.com/products/quickspecs/13160_na/13160_na.html)

#### HP Rack-mountable UPS

##### HP R1500 G3 Uninterruptible Power Supply (UPS)

HP R1.5KVA G3 1U NA Uninterruptible Power System	AF469A
--	--------

**NOTE:** Please see the QuickSpecs for additional information:

[http://h18000.www1.hp.com/products/quickspecs/14059\\_na/14059\\_na.html](http://h18000.www1.hp.com/products/quickspecs/14059_na/14059_na.html)

##### HP R/T3000 G2 Uninterruptible Power System (UPS)

HP R/T3000 G2 2U L530 Low Voltage NA/JP Uninterruptible Power System	AF466A
--	--------

HP R/T3000 G2 2U L620 High Voltage NA/JP Uninterruptible Power System	AF467A
---	--------

**NOTE:** Please see the QuickSpecs for additional information:

[http://h18000.www1.hp.com/products/quickspecs/14058\\_na/14058\\_na.html](http://h18000.www1.hp.com/products/quickspecs/14058_na/14058_na.html)

(Worldwide)

##### R5000 Uninterruptible Power System (UPS)

HP R5KVA 3U L630 High Voltage NA/JP Uninterruptible Power System	AF460A
--	--------

**NOTE:** Please see the QuickSpecs for additional information:

[http://h18000.www1.hp.com/products/quickspecs/14109\\_na/14109\\_na.html](http://h18000.www1.hp.com/products/quickspecs/14109_na/14109_na.html)

##### R7000 Uninterruptible Power System (UPS)

HP R7KVA 4U 50A High Voltage NA/JP Uninterruptible Power System	AF462A
---	--------

**NOTE:** Please see the QuickSpecs for additional information:

[http://h18000.www1.hp.com/products/quickspecs/14110\\_na/14110\\_na.html](http://h18000.www1.hp.com/products/quickspecs/14110_na/14110_na.html)

**NOTE:** For additional information on sizing your HP UPS, please reference:

<http://www.upssizer.com>

**NOTE:** Please see the UPS and PDU cable matrix's on the HP Power Protection and Management page. Under Power Cords, click on the "HP Power Cord Matrix" link. That link will list cable descriptions, requirements, and specifications for UPS and PDU units. Please see the following link: [www.hp.com/products/powercords](http://www.hp.com/products/powercords).

**NOTE:** For additional information on HP Uninterruptible Power Systems please go to: [www.hp.com/servers/rackups](http://www.hp.com/servers/rackups).

### Additional Options

#### HP Power Distribution Units

##### Monitored PDUs

##### HP Monitored Power Distribution Unit: Full Rack Version

HP 8.6kVA 24A Single Input Three Phase NA/JP Monitored Power Distribution Unit AF504A

HP 8.3kVA 40A Single Input Single Phase NA/JP Monitored Power Distribution Unit AF506A

##### HP Monitored Power Distribution Unit: Half Rack Version

HP 4.9kVA 24A Single Input Single Phase NA/JP Monitored Power Distribution Unit AF914A

**NOTE:** Please see the QuickSpecs for Technical Specifications and additional information:

[http://h18000.www1.hp.com/products/quickspecs/12118\\_na/12118\\_na.html](http://h18000.www1.hp.com/products/quickspecs/12118_na/12118_na.html)

##### Modular PDUs 1U/0U

**NOTE:** 1U/0U mounting brackets shipped with the unit (optimized for 10000 G2 and 9000 series racks).

HP 4.9kVA 24A High Voltage NA/JP Modular Power Distribution Unit 252663-D72

HP 2.8kVA 24A Low Voltage NA/JP Modular Power Distribution Unit 252663-D71

**NOTE:** For additional information on HP Power Distribution Units including accessories please go to: [www.hp.com/go/pdu](http://www.hp.com/go/pdu).

**NOTE:** Please see the UPS and PDU cable matrix's on the HP Power Protection and Management page. Under Power Cords, click on the "HP Power Cord Matrix" link. That link will list cable descriptions, requirements, and specifications for UPS and PDU units. Please see the following link: [www.hp.com/products/powercords](http://www.hp.com/products/powercords).

**NOTE:** This PDU has a detachable input power cord and allows for adaptability to country specific power requirements.

**NOTE:** Please see the following QuickSpecs for additional options including shorter jumper cables and country specific power cords:

[http://h18000.www1.hp.com/products/quickspecs/11041\\_na/11041\\_na.html](http://h18000.www1.hp.com/products/quickspecs/11041_na/11041_na.html)

#### HP Intelligent Power Distribution Units (iPDU)

##### iPDU Core Units

HP 4.9kVA 24A Single Phase NA/JP Core Intelligent Modular Power Distribution Unit AF520A

HP 8.6kVA 24A Three Phase NA/JP Core Intelligent Modular Power Distribution Unit AF522A

##### iPDU Extension Bars

HP 5xC13 Intelligent PDU Extension Bar G2 Kit AF547A

HP 5xC13 Outlets Power and UID LEDs Pair Standard Extension Bar AF528A

**NOTE:** Please see the QuickSpecs for Technical Specifications and additional information:

[http://h18000.www1.hp.com/products/quickspecs/13650\\_na/13650\\_na.html](http://h18000.www1.hp.com/products/quickspecs/13650_na/13650_na.html)

### Additional Options

#### HP Rack Series

#### HP Intelligent Series Rack

HP 636 1075mm Pallet Intelligent Series Rack	BW895A
HP 636 1075mm Shock Intelligent Series Rack	BW896A
HP 642 1075mm Pallet Intelligent Series Rack	BW903A
HP 642 1075mm Shock Intelligent Series Rack	BW904A
HP 647 1075mm Pallet Intelligent Series Rack	BW911A
HP 647 1075mm Shock Intelligent Series Rack	BW912A

**NOTE:** Please see the QuickSpecs for Technical Specifications such as height, width, depth, weight, and color:

[http://h18000.www1.hp.com/products/quickspecs/14223\\_na/14223\\_na.html](http://h18000.www1.hp.com/products/quickspecs/14223_na/14223_na.html)

**NOTE:** For additional information regarding Rack Cabinets, please see the following URL: <http://www.hp.com/go/rackandpower>.

#### HP Rack Options

#### HP Location Discovery Services

HP 36U Location Discovery Kit	BW945A
HP 42U Location Discovery Kit	BW946A
HP 47U Location Discovery Kit	BW947A

**NOTE:** Please see the QuickSpecs for Technical Specifications and additional information:

[http://h18000.www1.hp.com/products/quickspecs/14429\\_na/14429\\_na.html](http://h18000.www1.hp.com/products/quickspecs/14429_na/14429_na.html)

#### HP USB Keyboard and Mouse

HP USB BFR with PVC Free US Keyboard/Mouse Kit	631341-B21
--	------------

**NOTE:** Please see the QuickSpecs for Technical Specifications and additional information:

[http://h18000.www1.hp.com/products/quickspecs/13792\\_na/13792\\_na.html](http://h18000.www1.hp.com/products/quickspecs/13792_na/13792_na.html)

#### HP TFT7600 G2 KVM Console Rackmount Keyboard Monitor

HP TFT7600 G2 KVM Console Rackmount Keyboard US Monitor	AZ870A
HP TFT7600 G2 KVM Console Rackmount Keyboard US TAA Monitor	AZ885A

**NOTE:** Please see the QuickSpecs for Technical Specifications and additional information:

[http://h18000.www1.hp.com/products/quickspecs/13731\\_na/13731\\_na.html](http://h18000.www1.hp.com/products/quickspecs/13731_na/13731_na.html)

#### HP Server Console Switches

HP Server Console 0x2x8 Port Analog Switch	AF616A
HP Server Console 0x2x16 Port Analog Switch	AF617A
HP TAA 0x2x16xKVM Server Console G2 Switch	AF626A

**NOTE:** Please see the QuickSpecs for Technical Specifications and additional information:

[http://h18000.www1.hp.com/products/quickspecs/11834\\_na/11834\\_na.html](http://h18000.www1.hp.com/products/quickspecs/11834_na/11834_na.html)

#### HP Server Console Switch G2 with Virtual Media & CAC

HP 0x2x16 KVM Server Console Switch G2 with Virtual Media CAC Software	AF618A
HP 0x2x32 KVM Server Console Switch G2 with Virtual Media CAC Software	AF619A
HP KVM CAT5 1-pack USB Interface Adapter	336047-B21



### Additional Options

**NOTE:** Please see the QuickSpecs for Technical Specifications and additional information:

[http://h18000.www1.hp.com/products/quickspecs/13475\\_na/13475\\_na.html](http://h18000.www1.hp.com/products/quickspecs/13475_na/13475_na.html)

#### HP IP Console Switch G2 with Virtual Media & CAC

HP 1x4 USB/PS2 KVM Console Switch	AF611A
HP 1x1Ex8 KVM IP Console Switch G2 with Virtual Media CAC Software	AF620A
HP 2x1Ex16 KVM IP Console Switch G2 with Virtual Media CAC Software	AF621A
HP 4x1Ex32 KVM IP Console Switch G2 with Virtual Media CAC Software	AF622A

**NOTE:** Please see the QuickSpecs for Technical Specifications and additional information:

[http://h18000.www1.hp.com/products/quickspecs/13474\\_na/13474\\_na.html](http://h18000.www1.hp.com/products/quickspecs/13474_na/13474_na.html)

#### Rack Kits

HP Tower to Rack Conversion Tray Kit	659488-B21
--------------------------------------	------------

### HP USB and SD Options

HP 2GB USB Flash Media Drive Key Kit	608447-B21
--------------------------------------	------------

**NOTE:** HP qualified blank USB key for use with HP ProLiant servers that support the VMware virtualization environment and other HP value-add software. HP recommends this industry standard USB flash device for use with VMware ESXi. USB device must be installed in the internal slot of the ProLiant server for use with VMware ESXi. Refer to [HP VMware Getting Started Guide](#) for installation instructions.

HP 4GB Secure Digital High Capacity Flash Media Kit	580387-B21
---	------------

**NOTE:** Blank SD media device is supported for use with VMware and Citrix. SD media must be installed in the internal slot of the ProLiant server. Learn more at <http://www.hp.com/go/proliantvirtualization>.

### HP Care Pack Services

#### Proactive Care

**NOTE:** Collaborative Support plus Proactive services delivered by the onshore, local language Advanced Solution Center (ASC), end-to-end case ownership from a Technical Solution Specialists and Technical Account Manager who remotely delivers firmware/software revision management, proactive scans and incident trend reports. Recommended for customers running a virtualized infrastructure and/or customers who desire an enhanced call support experience.

HP 3 year 4 hour 24x7 ProLiant ML350(p) Proactive Care Service	U3A78E
HP 3 year 4 hour 24x7 with Defective Media Retention ProLiant ML350(p) Proactive Care Service	U3A81E
HP 3 year 6 hour Call To Repair 24x7 ProLiant ML350(p) Proactive Care Service	U3A84E
HP 3 year 6 hour CallToRepair 24x7 withDefective Media Retention ProLiant ML350(p) Proactive Care SVC	U3A87E
HP 3 year 4 hour 24x7 ProLiant ML350(p) with Insight Control Proactive Care Service	U3N77E
HP 3 year 4hr 24x7 with Defective Media Retention ML350(p) with Insight Control Proactive Care SVC	U3N80E
HP 3 year 6 hour Call To Repair 24x7 ProLiant ML350(p) with Insight Control Proactive Care Service	U3N83E



### Additional Options

HP 3yr 6hrCallToRepair 24x7w/Defective Media Retention ML350(p) w/Insight Control Proactive Care SVC U3N86E

#### **Collaborative Support**

**NOTE:** Hardware break/fix plus 24x7 software diagnosis support with collaborative call management for a broad spectrum of 3rd Party software products including O/S and hypervisors. Recommended for customers procuring 3rd party SW O/S and hypervisors from the software vendors directly and deploying them on HP ProLiant servers.

HP 3 year 4 hour 24x7 ProLiant ML350(p) Collaborative Support U1K58E

HP 3 year 4 hour 24x7 with Defective Media Retention ProLiant ML350(p) Collaborative Support U1K61E

HP 3 year 6 hour Call To Repair 24x7 ProLiant ML350(p) Collaborative Support U1K64E

HP 3 year 6hr Call To Repair 24x7 withDefective Media Retention ProLiant ML350(p) Collaborative Supp U1K67E

#### **Proactive Care Personalized Support Option**

**NOTE:** To add an onsite Account Support Manager (ASM) to Proactive Care. ASM is an assigned resource who delivers support planning and brings technical expertise and best practices advices for the customer's environment.

HP 3yr Provides annual personalized proactive supp for existing Proactive Care ISS centric environmt U6W98E

#### **Installation Services**

**NOTE:** Reduce the time required to get your system up and running and help minimize disruptions to your business.

HP Install ProLiant ML350(p) Service U4522E

HP Startup ProLiant ML350(p) Service U4523E

**NOTE:** For more information, customer/resellers can contact:

<http://www.hp.com/services/carepack>

### Memory

**NOTE:** Memory configurations listed do not apply to "Factory Integrated Models".

#### DDR3 memory population guidelines

For detailed memory configuration rules and guidelines, please use the Online DDR3 Memory Configuration Tool:

[www.hp.com/go/ddr3memory-configurator](http://www.hp.com/go/ddr3memory-configurator)

#### General Guidelines:

- White DIMM slots denote the first slot of a channel. For 1 DPC (DIMM per channel) populate white slots only.
- Install DIMMs only if the corresponding processor is installed.
- If only one processor is installed in a two processor system, only half of the DIMM slots are available.
- To maximize performance, balance the total memory capacity between all installed processors
  - Populate DIMMs from heaviest load (quad-rank) to lightest load (single-rank) within a channel
  - Heaviest load (DIMM with most ranks) within a channel goes furthest from the processor
- Do not mix UDIMMs, RDIMMs or LRDIMMs
- Quad rank LR DIMMs are supported at 3 DIMMs per channel.
- DIMMs of different voltages (1.35V & 1.5V) may be mixed in any order
  - The system will power them at the higher voltage
- DIMMs of different speed grades may be mixed in any order
  - The system will select a common optimal speed
- Memory speed is a function of the processor QPI bus speed.

#### Population Guidelines:

- There are four (4) channels per processor; eight (8) channels per server
- There are three (3) DIMM slots for each memory channel; twenty-four (24) total slots
- Memory channels 1 and 3 consists of the three (3) DIMMs that are furthest from the processor
- Memory channel 2 and 4 consists of the three (3) DIMMs that are closest to the processor

ML350p Gen8 Supported Memory Bandwidth and Capacity															
DIMM Type	Registered DIMMS (RDIMMs)								Load Reduced (LRDIMMs)	Unbuffered with ECC DIMMs (UDIMMs)					
	Single Rank (1R)			Dual Rank (2R)						Quad Rank (4R)	Single Rank (1R)		Dual Rank (2R)		
DIMM Rank	Single Rank (1R)			Dual Rank (2R)					Quad Rank (4R)	Single Rank (1R)		Dual Rank (2R)			
DIMM Capacity	4GB	4GB	8GB	8GB	8GB	16GB	16GB	32GB	2GB	2GB	4GB	4GB	8GB	8GB	
DIMM Native Speed (MHz)	1333	1600	1600	1333	1600	1333	1600	1333	1333	1600	1333	1600	1333	1600	
Voltage	LV	Std	Std	LV	Std	LV	Std	LV	LV	Std	LV	Std	LV	Std	
<b>SLOTS THAT CAN BE POPULATED</b>															
24 slot servers	24	24	24	24	24	24	24	24	16	16	16	16	16	16	
<b>MAXIMUM CAPACITY (GB)*</b>															
24 slot servers	96	96	192	192	192	384	384	768	32	32	64	64	128	128	

### Memory

POPULATED DIMM SPEED (MHz)															
1 DIMM Per Channel	1333	1600	1600	1333	1600	1333	1600	1333***	1333	1600	1333	1600	1333	1600	
2 DIMM Per Channel	1333	1600	1600	1333	1600	1333	1600	1333***	1333****	1600	1333****	1600	1333****	1600	
3 DIMM Per Channel	1066**	1333##	1333##	1066**	1333##	1066**	1333##	1066	n/a	n/a	n/a	n/a	n/a	n/a	

#### NOTES:

Memory speed is a function of the processor QPI bus speed.

To realize the performance memory capabilities listed above HP SmartMemory is required.

\* Maximum capacity will vary based on individual server platform qualification schedule

\*\* For HP SmartMemory RDIMM supports up to 3DPC@1066 at 1.35V. Third party memory may only support up to 3DPC@1066 at 1.5V.

\*\*\* LRDIMM enables 3 DIMMs per channel. HP SmartMemory will supports up to 3DPC@DDR3-1066 at 1.35V. Third party memory may only support 3DPC @DDR3-1066 at 1.5V.

\*\*\*\* For HP SmartMemory, UDIMM is, supported at 2DPC@1333. Third party memory may only support up to 2DPC@1066.

## RBSU setting required

#### Memory Speed by Processor Model

##### Processor Models

E5-2680, E5-2670, E5-2667, E5-2665, E5-2660, E5-2650, E5-2650L, E5-2637  
 E5-2640, E5-2630, E5-2630L, E5-2620  
 E5-2609, E5-2603

##### Supported Memory Speeds

1600/1333/1066MHz  
 1333/1066MHz  
 1066MHz

#### Standard and Maximum Memory Capacity (Pre-configured Models)

Pre Configured Models	Standard Memory	Maximum Memory Plus Optional Memory	Standard Memory Replaced with Optional Memory
Intel Xeon E5-2640	16GB (4x 4GB)	336GB (20x16GB, 4x4GB)	768GB (24 x 32GB)
Intel Xeon E5-2620	8GB (2x 4GB)	360GB (22x16GB, 2x4GB)	768GB (24 x 32GB)
Intel Xeon E5-2603	4GB (1x 4GB)	372GB (23x16GB, 1x4GB)	768GB (24 x 32GB)

#### DIMM slot and configuration diagrams

##### Basic memory slot & population diagram

- Population order; start with "A" first, "B" second, "C" third, etc.

### Memory

24 DIMM SLOTS (12 per CPU node)					
	slot #	population order	slot #	population order	
Chnl 1	1	A	1	A	Chnl 1
	2	I	2	I	
	3	E	3	E	
Chnl 2	4	B	4	B	Chnl 2
	5	F	5	F	
	6	J	6	J	
	Processor 1		Processor 2		
Chnl 4	7	L	7	L	Chnl 4
	8	H	8	H	
	9	D	9	D	
Chnl 3	10	K	10	K	Chnl 3
	11	G	11	G	
	12	C	12	C	

### Standard memory configuration (1 CPU model)

- 16GB, consisting of two (2) 8GB dual-rank PC3L-10600R-9 RDIMMs (Base Model)

	slot #	population order	slot #	population order	
Chnl 1	1	A; 8GB RDIMM	1	A; empty	Chnl 1
	2	E; empty	2	E; empty	
	3	I; empty	3	I; empty	
Chnl 2	4	B; 8GB RDIMM	4	B; empty	Chnl 2
	5	F; empty	5	F; empty	
	6	J; empty	6	J; empty	
	Processor 1		Processor 2		
Chnl 4	7	I; empty	7	L; empty	Chnl 4
	8	H; empty	8	H; empty	
	9	D; empty	9	D; empty	
Chnl 3	10	K; empty	10	K; empty	Chnl 3
	11	G; empty	11	G; empty	
	12	C; empty	12	C; empty	

### Standard memory plus optional memory (1 CPU model)

- 48GB, consisting of two (2) 4GB RDIMMs plus ten (10) 4GB RDIMMs (Base Model)
  - 12x 4GB dual-rank PC3L-10600R-9 RDIMMs

### Memory

	slot #	population order	slot #	population order	
Chnl 1	1	A; 4GB RDIMM	1	A; empty	Chnl 1
	2	E; 4GB RDIMM	2	E; empty	
	3	I; 4GB RDIMM	3	I; empty	
Chnl 2	4	B; 4GB RDIMM	4	B; empty	Chnl 2
	5	B; 4GB RDIMM	5	F; empty	
	6	J; 4GB RDIMM	6	J; empty	
	Processor 1		Processor 2		
Chnl 4	7	L; 4GB RDIMM	7	L; empty	Chnl 4
	8	H; 4GB RDIMM	8	H; empty	
	9	D; 4GB RDIMM	9	D; empty	
Chnl 3	10	K; 4GB RDIMM	10	K; empty	Chnl 3
	11	G; 4GB RDIMM	11	G; empty	
	12	C; 4GB RDIMM	12	C; empty	

#### Standard memory replaced with optional memory (1 CPU model)

##### RDIMM maximum configuration (1 CPU model)

- 192GB, consisting of twelve (12) 16GB dual-rank PC3L-10600R-9 RDIMMs

	slot #	population order	slot #	population order	
Chnl 1	1	A; 16GB RDIMM	1	A; empty	Chnl 1
	2	E; 16GB RDIMM	2	E; empty	
	3	I; 16GB RDIMM	3	I; empty	
Chnl 2	4	B; 16GB RDIMM	4	B; empty	Chnl 2
	5	F; 16GB RDIMM	5	F; empty	
	6	J; 16GB RDIMM	6	J; empty	
	Processor 1		Processor 2		
Chnl 4	7	L; 16GB RDIMM	7	L; empty	Chnl 4
	8	H; 16GB RDIMM	8	H; empty	
	9	D; 16GB RDIMM	9	D; empty	
Chnl 3	10	K; 16GB RDIMM	10	K; empty	Chnl 3
	11	G; 16GB RDIMM	11	G; empty	
	12	C; 16GB RDIMM	12	C; empty	

##### UDIMM maximum configuration (1 CPU model)

- 64GB, consisting of eight (8) 8GB dual-rank PC3L-10600E-9 UDIMMs

### Memory

	slot #	population order	slot #	population order	
Chnl 1	1	A; 8GB UDIMM	1	A; empty	Chnl 1
	2	E; 8GB UDIMM	2	E; empty	
	3	I; empty	3	I; empty	
Chnl 2	4	B; 8GB UDIMM	4	B; empty	Chnl 2
	5	F; 8GB UDIMM	5	F; empty	
	6	J; empty	6	J; empty	
	<b>Processor 1</b>		<b>Processor 2</b>		
Chnl 4	7	L; empty	7	L; empty	Chnl 4
	8	H; 8GB UDIMM	8	H; empty	
	9	D; 8GB UDIMM	9	D; empty	
Chnl 3	10	K; empty	10	K; empty	Chnl 3
	11	G; 8GB UDIMM	11	G; empty	
	12	C; 8GB UDIMM	12	C; empty	

### Standard memory replaced with optional memory (2 CPU model)

#### RDIMM maximum configuration (2 CPU model)

- 768GB, consisting of twenty four (24) 32GB quad-rank PC3L-10600LR-9 RDIMMs

	slot #	population order	slot #	population order	
Chnl 1	1	A; 32GB RDIMM	1	A; 32GB RDIMM	Chnl 1
	2	E; 32GB RDIMM	2	E; 32GB RDIMM	
	3	I; 32GB RDIMM	3	I; 32GB RDIMM	
Chnl 2	4	B; 32GB RDIMM	4	B; 32GB RDIMM	Chnl 2
	5	F; 32GB RDIMM	5	F; 32GB RDIMM	
	6	J; 32GB RDIMM	6	J; 32GB RDIMM	
	<b>Processor 1</b>		<b>Processor 2</b>		
Chnl 4	7	L; 32GB RDIMM	7	L; 32GB RDIMM	Chnl 4
	8	H; 32GB RDIMM	8	H; 32GB RDIMM	
	9	D; 32GB RDIMM	9	D; 32GB RDIMM	
Chnl 3	10	K;32GB DIMM	10	K;32GB DIMM	Chnl 3
	11	G;32GB DIMM	11	G;32GB DIMM	
	12	C;32GB DIMM	12	C;32GB DIMM	

#### UDIMM maximum configuration (2 CPU model)

- 128GB, consisting of sixteen (16) 8GB dual-rank PC3L-10600E-9 UDIMMs

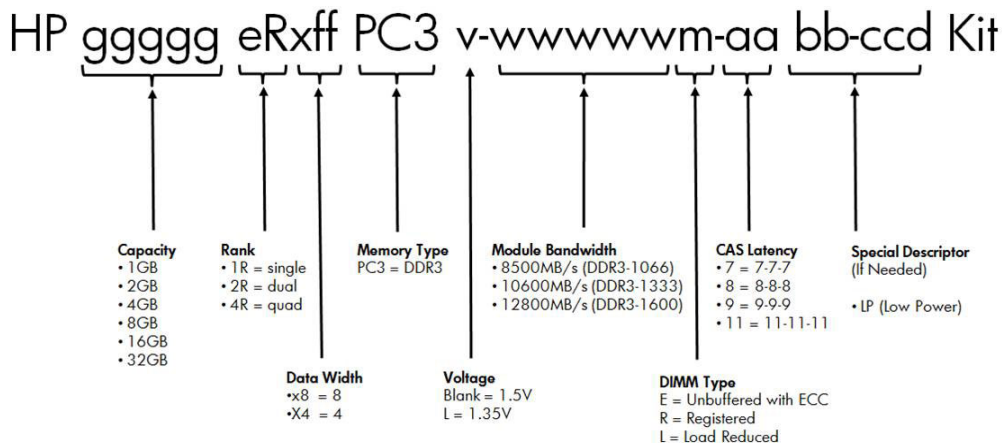
### Memory

	CPU1		CPU2		
	slot #	population order	slot #	population order	
Chnl 1	1	A; 8GB UDIMM	1	A; 8GB UDIMM	Chnl 1
	2	E; 8GB UDIMM	2	E; 8GB UDIMM	
	3	I; empty	3	I; empty	
Chnl 2	4	B; 8GB UDIMM	4	B; 8GB UDIMM	Chnl 2
	5	F; 8GB UDIMM	5	F; 8GB UDIMM	
	6	J; empty	6	J; empty	
	<b>Processor 1</b>		<b>Processor 2</b>		
Chnl 4	7	L; empty	7	L; empty	Chnl 4
	8	H; 8GB UDIMM	8	H; 8GB UDIMM	
	9	D; 8GB UDIMM	9	D; 8GB UDIMM	
Chnl 3	10	K; empty	10	K; empty	Chnl 3
	11	G; 8GB UDIMM	11	G; 8GB UDIMM	
	12	C; 8GB UDIMM	12	C; 8GB UDIMM	

**NOTE:** Capacity references are rounded to the common Gigabyte values.

- 1GB = 1024MB
- 2GB = 2048MB
- 4GB = 4096MB
- 8GB = 8192MB
- 16GB = 16384MB
- 32GB = 32768MB

#### DDR3 memory options part number decoder



Following are memory options available from HP:

#### HP Memory

**NOTE:** HP memory from previous generation servers are not qualified or warranted with this HP ProLiant Server. HP SmartMemory is required to realize the memory performance improvements and enhanced functionality listed in this document for Gen8. For additional information, please see the HP SmartMemory QuickSpecs at:

### Memory

[http://h18000.www1.hp.com/products/quickspecs/14225\\_na/14225\\_na.html](http://h18000.www1.hp.com/products/quickspecs/14225_na/14225_na.html)

**NOTE:** LRDIMM, RDIMM and UDIMMs are all distinct memory technologies and cannot be mixed within a server. The majority of ProLiant Gen8 servers support RDIMM, UDIMM and LRDIMM.

#### Registered DIMMs (RDIMMs)

HP 4GB (1x4GB) Single Rank x4 PC3L-10600R (DDR3-1333) Registered CAS-9 Low Voltage Memory Kit	647893-B21
HP 4GB (1x4GB) Single Rank x4 PC3-12800R (DDR3-1600) Registered CAS-11 Memory Kit	647895-B21
HP 8GB (1x8GB) Dual Rank x4 PC3L-10600R (DDR3-1333) Registered CAS-9 Low Voltage Memory Kit	647897-B21
HP 8GB (1x8GB) Single Rank x4 PC3-12800R (DDR3-1600) Registered CAS-11 Memory Kit	647899-B21
HP 8GB (1x8GB) Dual Rank x4 PC3-12800R (DDR3-1600) Registered CAS-11 Memory Kit	690802-B21
HP 16GB (1x16GB) Dual Rank x4 PC3L-10600R (DDR3-1333) Registered CAS-9 Low Voltage Memory Kit	647901-B21
HP 16GB (1x16GB) Dual Rank x4 PC3-12800R (DDR3-1600) Registered CAS-11 Memory Kit	672631-B21

#### Unbuffered with ECC DIMMs (UDIMMs)

HP 2GB (1x2GB) Single Rank x8 PC3-12800E (DDR3-1600) Unbuffered CAS-11 Memory Kit	669320-B21
HP 2GB (1x2GB) Single Rank x8 PC3L-10600E (DDR3-1333) Unbuffered CAS-9 Low Voltage Memory Kit	647905-B21
HP 4GB (1x4GB) Dual Rank x8 PC3-12800E (DDR3-1600) Unbuffered CAS-11 Memory Kit	669322-B21
HP 4GB (1x4GB) Dual Rank x8 PC3L-10600E (DDR3-1333) Unbuffered CAS-9 Low Voltage Memory Kit	647907-B21
HP 8GB (1x8GB) Dual Rank x8 PC3-12800E (DDR3-1600) Unbuffered CAS-11 Memory Kit	669324-B21
HP 8GB (1x8GB) Dual Rank x8 PC3L-10600E (DDR3-1333) Unbuffered CAS-9 Low Voltage Memory Kit	647909-B21

#### Load Reduced DIMMs (LRDIMMs)

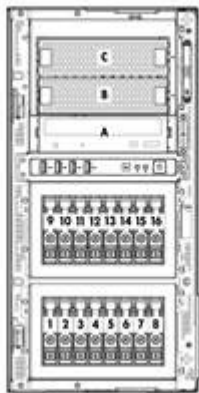
HP 32GB (1x32GB) Quad Rank x4 PC3L-10600L (DDR3-1333) Load Reduced CAS-9 Low Voltage Memory Kit	647903-B21
---	------------

**NOTE:** All DDR3 memory option kits consist of one DIMM per kit. For detailed memory configuration rules and guidelines, please use the Online DDR3 Memory Configuration Tool: [www.hp.com/go/ddr3memory-configurator](http://www.hp.com/go/ddr3memory-configurator).

**NOTE:** Depending on the memory configuration and processor model, 1600MHz and 1333MHz memory may operate at a lower speed. Please see the "Memory" section later in this document and the Online Memory Configuration Tool for details at [www.hp.com/go/ddr3memory-configurator](http://www.hp.com/go/ddr3memory-configurator).



### Storage



- 1 - 12 12 x 3.5" (LFF) Hot-Plug SAS/SATA hard drive bays  
**NOTE:** Optional 2nd hard drive cage shown in configuration.
- A Optical Drive
- B-C Available half height media bays, for up to two half height optical/tape drives or a single full height tape drive, or both can be populated with a third hard drive cage
- 1-16 16 x 2.5" (SFF) Hot-Plug SAS/SATA hard drive bays  
**NOTE:** Optional 2nd hard drive cage shown in configuration
- A Optical Drive
- B-C Available half height media bays, for up to two half height optical/tape drives or a single, full height tape drives, or both can be populated with a third hard drive cage

### Tape and Disk-Based Backup

**NOTE:** For the complete range of tape drives, autoloaders, libraries and media, including the internal fitting models, see: <http://www.hp.com/go/tape>. For the complete range of D2D Backup Systems see: <http://www.hp.com/go/d2d>. For the complete range of RDX drives and media see: <http://www.hp.com/go/rdx>. For hardware and software compatibility of HP disk and tape backup products see: <http://www.hp.com/storage/SPOCK>.

	Position Supported	Controller	Controller/HBA Option Kit Part Number
<b>HP SCSI Tape Drives</b> LTO-2 Ultrium 448 LTO-3 Ultrium 920 LTO4 Ultrium 1760 LTO-4 Ultrium 1840 DAT 72 DAT 160	Internal (B+C) or External	HP SC11Xe Ultra320 Single Channel/ PCIe x4 SCSI Host Bus Adapter <b>NOTE:</b> Please check the full compatibility information at: <a href="http://www.hp.com/storage/SPOCK">http://www.hp.com/storage/SPOCK</a>	412911-B21
<b>HP SCSI Rack Mount Kits</b> 1U Rack-Mount Kit 3U Rack-Mount Kit	External	HP SC11Xe Ultra320 Single Channel/ PCIe x4 SCSI Host Bus Adapter	412911-B21

### Storage

<b>HP USB Tape Drives</b> DAT 72 DAT 160	Internal (B+C) or External	USB 2.0 Port	N/A
<b>HP USB Rack Mount Kits</b> 1U USB Rack-Mount Kit	External	USB 2.0 Port	
<b>HP SAS Tape Drives</b> DAT 160 LTO-2 Ultrium 448 LTO-3 Ultrium 920 LTO-4 Ultrium 1760 LTO-4 Ultrium 1840 LTO-5 Ultrium 3000 LTO-5 Ultrium 3280	Internal (B+C) or External	<b>NOTE:</b> Please check the full compatibility information at: <a href="http://www.hp.com/storage/SPOCK">http://www.hp.com/storage/SPOCK</a>	
<b>HP SAS Rack Mount Kits</b> 1U Rack-Mount Kit 3U Rack-Mount Kit	External	<b>NOTE:</b> Please check the full compatibility information at: <a href="http://www.hp.com/storage/SPOCK">http://www.hp.com/storage/SPOCK</a>	
<b>HP SCSI Tape Autoloaders</b> 1/8 G2 Autoloader	External	HP SC11Xe Ultra320 Single Channel/ PCIe x4 SCSI Host Bus Adapter	412911-B21
<b>HP SCSI Tape Libraries</b> MSL2024 MSL4048 MSL8096	External	HP SC11Xe Ultra320 Single Channel/ PCIe x4 SCSI Host Bus Adapter <b>NOTE:</b> Please check the full compatibility information at: <a href="http://www.hp.com/storage/SPOCK">http://www.hp.com/storage/SPOCK</a>	412911-B21
<b>HP SAS Tape Autoloaders and Libraries</b> 1/8 G2 Autoloader MSL2024 MSL4048 MSL8096	External	<b>NOTE:</b> Please check the full compatibility information at: <a href="http://www.hp.com/storage/SPOCK">http://www.hp.com/storage/SPOCK</a>	
<b>HP Fibre Channel Tape Libraries</b> MSL2024 MSL4048 MSL8096	External	Please consult the EBS connectivity matrix at: <a href="http://www.hp.com/go/ebs">http://www.hp.com/go/ebs</a> for connectivity information and the supported Fibre Channel HBAs shown in this QuickSpecs.	
<b>HP USB RDX Removable Disk Backup System</b> RDX160 RDX320 RDX500	Internal (B+C) or External	USB 2.0 port	N/A

### Storage

RDX1TB

**HP D2D Backup Systems,  
iSCSI**

D2D2500i  
D2D4000i

External

Embedded Network Controller. If the server requires a hardware iSCSI initiator, the QLogic QLA4050 Host Bus Adapter is recommended.

**HP D2D Backup Systems,  
Fibre Channel**

D2D4000fc

External

Direct server attach is not supported, requires connection via SAN fabric. See: <http://www.hp.com/storage/SPOCK>

### Technical Specifications

<b>System Unit</b>	<b>Tower Dimensions</b> (H x W x D) (with feet/bezel)	18.19 x 8.58 x 29.13 in (46.2 x 21.8 x 74.0 cm)	
	<b>Rack Dimensions</b> (H x W x D) (with feet/bezel)	8.58 x 19.0 x 28.83 in. (21.8 x 48.26 x 73.22cm)	
	<b>Tower Weight</b> (approximate)	Maximum (all hard drives, power supplies, and processors installed)	114.84 lb (52.09 kg)
		Minimum (one hard drive, power supply, and processor installed)	70.33 lb (31.9 kg)
	<b>Rack Weight</b> (approximate)	Maximum (all hard drives, power supplies, and processors installed)	110.36 lb (50.06 kg)
		Minimum (one hard drive, power supply, and processor installed)	60.91 lb (27.63 kg)
	<b>Input Requirements</b> (per power supply)	Rated Line Voltage	100 to 240 VAC
		Rated Input Current	7.1 Amps (at 120VAC) to 3.5 Amps (at 240 VAC)
		Rated Input Frequency	50 to 60 Hz
		Rated Input Power	852 W
	<b>BTU Rating</b>	Maximum	460W - 1773 BTU / hr (at 120 VAC), 1715 (at 240 VAC) 750W - 2892 BTU / hr (at 120 VAC), 2797 (at 240 VAC) 1200W - 3530 BTU / hr (at 120 VAC), 4600 (at 240 VAC)
		Rated Steady-State Power	460(750) W (at 100 VAC), 460(750) W (at 200 VAC)
		Maximum Peak Power	460(750) W (at 100 VAC), 460(750) W (at 200 VAC)
	<b>System Inlet Temperature</b>	Operating	10° to 35°C (50° to 95°F) at sea level with an altitude derating of 1.0°C per every 304.8 m (1.8°F per every 1000 ft) above sea level to a maximum of 3048 m (10,000 ft), no direct sustained sunlight. Maximum rate of change is 10°C/hr (18°F/hr). The upper limit may be limited by the type and number of options installed. System performance may be reduced if operating with a fan fault or above 30°C (86°F).

### Technical Specifications

	Non-operating	-30° to 60°C (-22° to 140°F). Maximum rate of change is 20°C/hr (36°F/hr).
<b>Relative Humidity</b> (non-condensing)	Operating	10 to 90% relative humidity (Rh), 28°C (82.4°F) maximum wet bulb temperature, non-condensing.
	Non-operating	5 to 95% relative humidity (Rh), 38.7°C (101.7°F) maximum wet bulb temperature, non-condensing.
<b>Altitude</b>	Operating	3048 m (10,000 ft). This value may be limited by the type and number of options installed. Maximum allowable altitude change rate is 457 m/min (1500 ft/min).
	Non-operating	9144 m (30,000 ft). Maximum allowable altitude change rate is 457 m/min (1500 ft/min).
<b>Acoustic Noise</b>	Listed are the declared A-Weighted sound power levels (LWAd) and declared average bystander position A-Weighted sound pressure levels (LpAm) when the product is operating in a 23°C ambient environment. Noise emissions were measured in accordance with ISO 7779 (ECMA 74) and declared in accordance with ISO 9296 (ECMA 109).	
	Idle	
	<b>L WAd</b>	3.9 Bels (1P Non-Redundant) 4.2 Bels (2P Redundant)
	<b>L pAm</b>	22 dBA (1P Non-Redundant) 24 dBA (2P Redundant)
	Operating	
	<b>L WAd</b>	4.0 Bels (1P Non-Redundant) 4.8 Bels (2P Redundant)
<b>L pAm</b>	22 dBA (1P Non-Redundant) 30 dBA (2P Redundant)	
<b>Emissions Classification (EMC)</b>	<b>FCC Rating</b>	Class B
	<b>Normative Standards</b>	CISPR 22; EN55022; EN55024; FCC CFR 47, Pt 15; ICES-003; CNS13438; GB9254; K22;K24; EN 61000-3-2; EN 61000-3-3; EN 60950-1; IEC 60950-1

**NOTE:** The Listed sound levels apply to standard shipping configurations. Additional options may result in increased sound levels.

**NOTE:** Product conformance to cited product specifications is based on sample (type) testing, evaluation, or assessment. This product or family of products is eligible to bear the appropriate compliance logos and statements.

### Technical Specifications

<b>HP Smart Array P420i Controller</b>	<b>Dimensions</b>	Embedded		
	<b>Disk Drive and Enclosure Interface - Transfer rate</b>	6Gb/s SAS (Serial Attached SCSI) 3Gb/s SATA (Serial ATA)		
	<b>SAS Connectors</b>	2 internal 4X connectors		
	<b>Cache Memory Speed</b>	DDR3-1333MHz with 40 or 72-bit wide bus		
	<b>Server Interface</b>	x8 PCIe 3.0 provides 32.0GB/s maximum bandwidth		
	<b>SAS Speed</b>	8 6Gb/s SAS links provide 4.8GB/s maximum bandwidth		
	<b>Cache Memory</b>	Zero Memory RAID has no cache memory 40-bit 512MB ECC protected Flash Backed Write Cache (FBWC) 72-bit 1GB and 2GB ECC protected FBWC		
	<b>Logical Drives Supported</b>	Zero Memory, Up to 2 logical volumes (8 physical drives) Up to 64 logical drives with cache		
	<b>Host Memory Addressing</b>	64-bit, supporting greater than 4GB server memory space		
	<b>RAID Support</b>	RAID 6, 6+0 (Advanced Data Guarding) <b>NOTE:</b> RAID 6, 6+0 can be enabled with one of the following combinations: <ul style="list-style-type: none"> <li>• 512 MB, 1GB or 2GB FBWC and Smart Array Advanced Pack 2.0 License key option upgrades</li> </ul> RAID 5, 5+0 (Distributed Data Guarding) <b>NOTE:</b> A minimum of 512 MB cache is required to enable RAID 5, 5+0 support RAID 1+0 (Striping & Mirroring) RAID 0 (Striping), RAID 1 (Mirroring)		
	<hr/>			
	<b>HP Ethernet 1Gb 4-port 331i Adapter</b>	<b>Network Interface Compatibility</b>	10Base-T/100Base-TX/1000Base-TX IEEE 802.3 10Base-T IEEE 802.3ab 1000Base-T IEEE 802.3u 100Base-TX	
		<b>Data Transfer Method Controller</b>	PCI Express, two lanes (x2) BCM5719	
<b>Network Transfer Rate</b>		10Base-T (Half-Duplex)	10 Mb/s per port, 40 Mb/s Combined	
		10Base-T (Full-Duplex)	20 Mb/s per port, 80 Mb/s Combined	
		100Base-TX (Half-Duplex)	100 Mb/s per port, 400 Mb/s Combined	
		100Base-TX (Full-Duplex)	200 Mb/s per port, 800 Mb/s Combined	
		1000Base-TX (Half-Duplex)	1000Mb/s per port, 4000 Mb/s Combined	
		1000 Base-TX (Full-Duplex)	2000Mb/s per port, 8000 Mb/s Combined	
<b>Connector</b>		RJ-45		
<b>Cable Support</b>		10Base-T	Categories 3, 4 or 5 UTP; up to 328 ft (100 m)	
	10/100/1000Base-TX	Category 5 or better; up to 328 ft (100 m)		

### Technical Specifications

**Environment-friendly  
Products and Approach****End-of-life Management  
and Recycling**

Hewlett-Packard offers end-of-life HP product return, trade-in, and recycling programs in many geographic areas. For trade-in information, please go to: <http://www.hp.com/go/green>. To recycle your product, please go to: <http://www.hp.com/go/green> or contact your nearest HP sales office. Products returned to HP will be recycled, recovered or disposed of in a responsible manner.

The EU WEEE directive (2002/95/EC) requires manufacturers to provide treatment information for each product type for use by treatment facilities. This information (product disassembly instructions) is posted on the Hewlett Packard web site at: <http://www.hp.com/go/green>. These instructions may be used by recyclers and other WEEE treatment facilities as well as HP OEM customers who integrate and re-sell HP equipment.

---

© Copyright 2013 Hewlett-Packard Development Company, L.P.

The information contained herein is subject to change without notice.

Microsoft and Windows NT are US registered trademarks of Microsoft Corporation. Intel is a US registered trademark of Intel Corporation.

The only warranties for HP products and services are set forth in the express warranty statements accompanying such products and services. Nothing herein should be construed as constituting an additional warranty. HP shall not be liable for technical or editorial errors or omissions contained herein.

For hard drives, 1GB = 1 billion bytes. Actual formatted capacity is less.