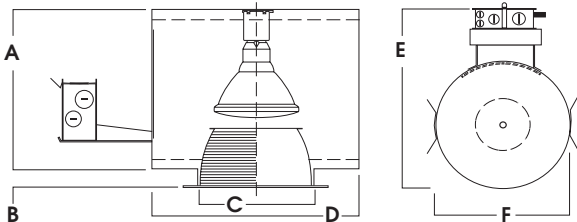
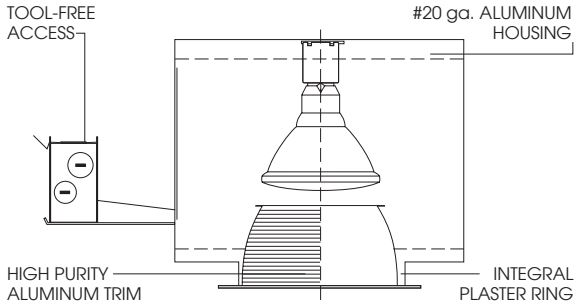




8" ROUND OPEN DOWNLIGHT

R30 - PAR SERIES / 250 WATT MAX INC



A	B	C	D	E	F
8.5	0.6	6.5	11.5	16.0	11.5
215.9 mm	15.8 mm	165.1 mm	292.1 mm	406.4 mm	292.1 mm

SGD8IN

APPLICATION

8" Round PAR30/PAR38 open downlight for Incandescent lamps.

FEATURES

Efficient trim design for PAR lamps. Integral 5/8" (0.625) plaster ring. Maximum wattage label (MWL) for low wattage Incandescent or LED lamps. Tool-less ballast access. Multi-bar adjustable mounting brackets.

FINISH

Variety of powdercoat and anodized finishes available on trim. Eco Black (EB) finish available on frame/housing.

ELECTRONICS

120 Volt is standard. Use option T277 for 277V supply feed.

CONSTRUCTION

Frame constructed of 20 ga. aluminum. Trim spun from .063 high purity aluminum and finished to specification.

LABELS

UL/ETL Listed for Damp location. Manufactured and tested to UL Standard No. 1598.

SERIES	OPTIONS	TRIM / FINISH	TRIM OPTIONS	FIXTURE LAMPING*								
SGD8IN- Spectrum Gold 7" Vertical	BH27 -27" Bar Hangers (Supplied) CB24 -C-Channel Bars CCEA -Chicago Ceiling Plenum CR -Corrosion Resistant T277 -Step Down Transformer 277v to 120v FS -Fuse Holder and Fuse PR -Plaster Ring (Special Depth) MWL -Max Wattage Label (Specify Wattage) EB -Eco Black Housing Finish TBC -T-Bar Clips TR -Top Relamping Option	AR8400-SG -Semi-Diffuse Low-Iridescent (Standard) CL -Clear Bright Alzak GO -Gold Alzak HZ -Matte Low Iridescent PW -Pewter Alzak UM -Umber Alzak WE -Wheat Alzak BK -Black Finish WH -White Finish PF -Polished Flange BB -Black Micro Baffle WB -White Micro Baffle Note: White Flange is Standard.	GL -Clear Glass Lens GS -Gasket PG -Prismatic (T73) Lens SO -Micro Prism Solite™ Lens	<table border="1"> <thead> <tr> <th>LAMP</th> <th>MAX. WATTAGE</th> </tr> </thead> <tbody> <tr> <td>R30</td> <td>100w</td> </tr> <tr> <td>PAR30L</td> <td>75w</td> </tr> <tr> <td>PAR38</td> <td>250w</td> </tr> </tbody> </table> *Medium Base	LAMP	MAX. WATTAGE	R30	100w	PAR30L	75w	PAR38	250w
LAMP	MAX. WATTAGE											
R30	100w											
PAR30L	75w											
PAR38	250w											

*For Available **Decorative Architectural Trims**. Consult Factory.

EXAMPLE: SGD8IN/ CB24 AR8400 WH BB PAR38



PROJECT: _____
 TYPE: _____



Dimensions and values shown are nominal. Spectrum Lighting continually works to improve products and reserves the right to make changes which may alter the performance or appearance of products.