



DCS-6511 HD Day & Night Vandal-Proof Fixed Dome Network Camera



Megapixel Resolution

High-resolution images ensure that you capture all of the details that you need

Motorised Varifocal Autofocus Lens

Focus and zoom can be quickly adjusted using the online user interface or remote management software

Wide Dynamic Range

Wide Dynamic Range technology neutralises imperfect lighting, providing clear images with the right amount of contrast even when a subject is backlit

What this Product Does

The DCS-6511 HD Day & Night Vandal-Proof Fixed Dome Network Camera is a professional IP surveillance solution which connects to your network to provide high quality live video over the Internet. IR LEDs and ICR technology ensure that the images captured are clear and sharp at all times of the day or night.

Key Features

- HD resolution: 1280x1024 1.3 Megapixel
- Built-in IR LED to support 0 lux dark environment
- Built-in heater and fan for outdoor environment
- Motorised varifocal autofocus lens
- Up to 30 Frames Per Second
- IR-Cut Removable (ICR) Filter for Day/ Night
- Support for multiple simultaneous streams
- Built-in Samba Client
- SD Card Slot
- Digital I/O support for Sensors and Alarms
- Built-in 802.3af PoE
- Advanced Security and Network Management
- 3 Configurable Privacy Masks
- Support for Motion Detection
- Flip & Mirror Images

Round-the-Clock Surveillance

The D-Link DCS-6511 is a high-definition fixed dome Day & Night network camera, ideal for small-to-medium business applications and remote monitoring over the Internet. With built-in infrared LEDs, a low lux CMOS progressive scan sensor and ICR technology in a robust weather-proof, vandal-proof housing, this camera delivers clear and sharp megapixel images under any lighting conditions, including complete darkness.

High-quality video feeds

To maximise bandwidth efficiency and improve image quality, the DCS-6511 provides real-time video compression using the H.264, MJPEG, and MPEG-4 codecs. Additionally, the DCS-6511 supports 3 separate profiles for simultaneous video streaming and is capable of recording in H.264, MJPEG, and MPEG-4 compression at 1.3 Megapixel resolution. This kind of versatility enables a wide variety of security applications, such as watching live video through a 3GPP enabled mobile device, or recording to a Network Storage device in high quality while monitoring the same images at lower resolutions.

Flexible installation

The DCS-6511 supports Power over Ethernet (PoE) connectivity for discreet installation in virtually any indoor or outdoor location. This camera's built-in 802.3af compliant PoE module eases the installation process by reducing the need to drill holes or lay additional cabling. In addition, the 10/100BASE-TX Ethernet port seamlessly connects to a local network or to the Internet via a router.

Removable IR Cut Filter and Wide Dynamic Range (WDR) technology

The DCS-6511 comes with an ICR Filter which can be manually applied via the web interface, or set to automatically adjust based on lighting conditions. This feature allows the camera to capture crisp colour images during the daytime, and grayscale images at dark. The WDR (Wide Dynamic Range) allows the camera to produce clear images even in the most adverse backlight conditions.

Centralised Management with D-ViewCam™

The included D-Link D-ViewCam™ (DCS-100) is a sophisticated video management software which enables you to manage up to 32 network cameras, set e-mail alert notifications, create recording schedules and trigger motion detection to record directly to your hard drive or network folder. D-ViewCam™ also allows you to upload a floor plan of your premises and create a realistic layout according to the locations of your cameras, further simplifying the management process.

ePTZ for surveying regions of interest

The ePTZ feature allows users to select a target region for close-up viewing simply by clicking on the video feed displayed within their browser. ePTZ makes use of the camera's megapixel resolution to survey a large area effortlessly. Since ePTZ requires no moving parts, there is no need to worry about the mechanical lifecycle of the camera.



3GPP Mobile Surveillance

Support for 3GPP Mobile Surveillance allows you to view a live video feed from your 3GPP compatible Internet-ready mobile device. This extends your monitoring capability, allowing you to check your camera's video feed while on the go.

D-ViewCam™ Features

- Manage up to 32 cameras at once
- Adjustable image size and quality
- Custom recording schedules
- Event notifications
- Upload a customised floor plan

Event Management

- Motion detection by weekly schedule
- Event notification and upload snapshots/video clips via HTTP, SMTP or FTP
- Multiple HTTP, SMTP, or FTP server configuration
- Multiple event notification
- Multiple recording methods for easy backup

Your Network Setup



Technical Specification

General Specification

- 1/3" Megapixel WDR Progressive Scan CMOS sensor
- WDR SN ratio: 100 dB
- Motorized varifocal autofocus lens 3.3 ~ 12 mm, F1.4 ~ F360C

View Angle

- Vertical 63.6° (W) ~ 17.9° (T)
- Horizontal 89.8° (W) ~ 23.9° (T)
- Diagonal 125.7° (W) ~ 29.9° (T)

IR LED

- 12 LEDs and light sensor
- 20 meter illumination distance

Minimum illumination

- Color: 0.2 lux @ F1.4
- B/W: 0.02 lux @ F1.4
- B/W: 0 lux with IR LED on

3-axis angle:

- Vertical: 120
- Horizontal: 340
- Rotational: 300

System Requirements

- Operating System: Microsoft Windows XP, Vista, Windows 7
- Internet Explorer 6 or above, Firefox 3.5 or above, Safari 4

Networking Protocols

- IPv4, DHCP, ARP, DNS, TCP/IP, DDNS (D-Link), HTTP, HTTPS, UPnP™ Port Forwarding, Samba, SMTP, PPPoE, NTP (D-Link), FTP, RTP, RTSP, UDP, RTCP, ICMP, 3GPP

Network Interface

- 10/100BASE-TX Fast Ethernet (PoE enabled)

Video Codecs

- H.264
- MPEG4
- MJPEG
- JPEG for still images

Resolution (up to 30 FPS)

- 1280x1024
- 1280x720
- 640x480
- 320x240
- 160x120

Video Features

- Adjustable image size, quality and bit rate
- Time stamp and text overlays
- 3 configurable privacy masks
- Flip & mirror

Audio Codecs

- G.726
- G.711

Power Input

- 12 V DC 1.25 A
- 24 V AC
- 802.3af PoE

Physical and Environmental

- IP-66 weather-proof standard
- IK-10 vandal-proof standard
- Built-in heater and fan

Weight

- 1030.5 g

Temperature

- Operation: -40 to 50 °C (-40 to 122 °F)
- Storage: -20 to 70 °C (-4 to 158 °F)

Relative Humidity

- 20% to 80% non-condensing

Certifications

- FCC
- IC
- C-Tick
- CE
- LVD

Included Mounting Accessories

- Surface mount (DCS-34-1)

Optional Mounting Accessories

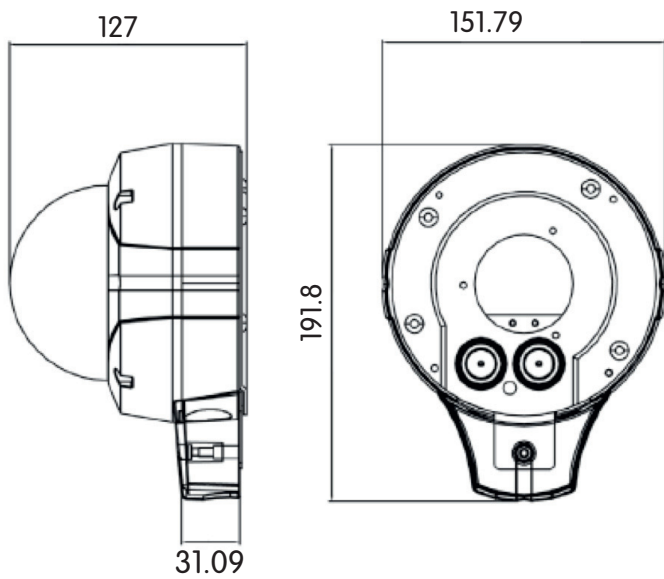
- Pendant mount (DCS-34-2)
- Bent mount (DCS-34-3)



DCS-6511

Camera Dimensions
(with surface mount accessory)

Optional Accessories
(sold separately)



Pendant Mount
DCS-34-2



Surface Mount
DCS-34-1

Bent Mount
DCS-34-3



D-Link Corporation No. 289 xinhu 3rd road, Neihu, taipei 114, taiwan Specifications are subject to change without notice. D-link is a registered trademark of D-link Corporation and its overseas subsidiaries. all other trademarks belong to their respective owners. ©2010 D-link Corporation. all rights reserved. release 01 (october 2010)

D-Link Europe

D-Link European HQ
www.dlink.eu

Albania
www.dlink.eu

Adria
www.dlink.eu

Austria
www.dlink.at

Belgium
www.dlink.be

Bosnia & Herzegovina
www.dlink.eu

Bulgaria
www.dlink.eu

Croatia
www.dlink.eu

Czech Republic
www.dlink.cz

Denmark
www.dlink.dk

Finland
www.dlink.fi

France
www.dlink.fr

Germany
www.dlink.de

Greece
www.dlink.gr

Hungary
www.dlink.hu

Italy
www.dlink.it

Kosovo
www.dlink.eu

Luxembourg
www.dlink.lu

Montenegro
www.dlink.eu

Netherlands
www.dlink.nl

Norway
www.dlink.no

Poland
www.dlink.pl

Portugal
www.dlink.pt

Romania
www.dlink.ro

Serbia
www.dlink.eu

Slovenia
www.dlink.eu

Spain
www.dlink.es

Sweden
www.dlink.se

Switzerland
www.dlink.ch

UK & Ireland
www.dlink.co.uk