

# HOFMANN®



## *monty 3300*

---

Spare Parts

Pieces de rechange

Tabla de repuestos



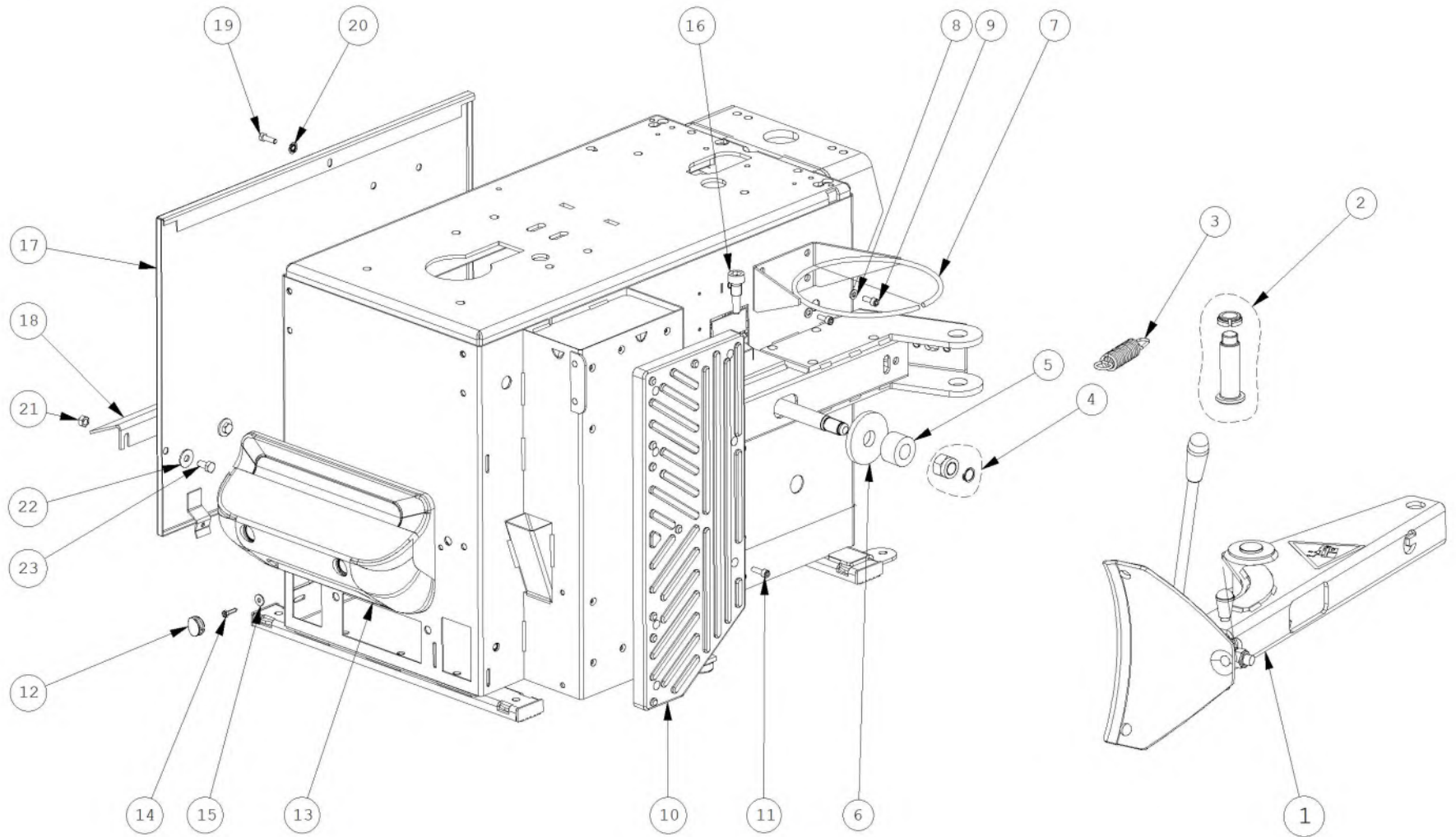
- (**GB**): in a given list, components sharing the same letter (A,B,C...), in the “Note” column are compatible.
- (**FR**): dans une table, les composants qui présentent la même lettre (A,B,C...) dans la colonne “Note”, sont compatibles.
- (**DE**): Die in einer Tabelle aufgeführten Komponenten, die in der Spalte “Anmerkung” mit demselben Buchstaben (A,B, C...) gekennzeichnet sind, sind kompatibel.
- (**RU**): В данном списке компоненты с одинаковыми буквами (A, B, C) в графе “Примечания” совместимы.
- (**IT**): all'interno di una tabella, i componenti che presentano la medesima lettera (A,B,C...) nella colonna “Nota”, sono compatibili.
- (**ES**): dentro de una tabla, los componentes de la columna “Nota” que poseen la misma letra (A, B, C...) son compatibles.
- (**PT**): em uma determinada tabela, os componentes que apresentarem a mesma letra (A,B,C...) na coluna “Nota”, são compatíveis.]

INDEX		Page
EAZ0116G40A_B2	CABINET	4
EAZ0132G84A_A1	TILTING TOWER	7
EAZ0137G15A_A	24" TURNTABLE GT	12
EAZ0122G09A_B1	MOTOR AND GEARBOX ASSY	17
EAZ0070G95A_B1	FOOT PEDAL ASSY ASM 4P 3PH	19
EAZ0033G69A_B1	BEAD BREAKER SYSTEM	23
EAZ0137G07A_A	BEAD BREAKER SYSTEM - HD	26
EAZ0033G72A_B	TUBELESS BEADING DEVICE	28
EAZ0137G01A_A	TOOLBOX BAR/PSI	30
EAZ0132G77A_A	AIR CONTROL SYSTEM	33
TEEWH001T_A1	TOP SIDE BEAD SEATING DIAGRAM	36
TEEWH001T_A2	TOP SIDE BEAD SEATING DIAGRAM	37
EEWH306AWD_E	MONOPHASE- USA MOTORS	38

**UPDATING GUIDE:**

**Nov. 21: EAZ0122G09A\_B > EAZ0122G09A\_B1**

EAZ0116G40A.B



04/2018

Pos	Code	Designation	Désignation	Designación	N.	Note	Nota	A	B	C
1	EAA0338G44A	BEAD BREAKER EXTENSIBLE	DETALLONEUR EXTENSIBLE	DESTALONADORA EXTENSIBLE	1				X	
1	EAA0490G02A	BEAD BREAKER GROUP	GROUPE DETALONNEUR	GRUPO DESTALONADOR	1	HD			X	
2	EAK0306G20A	FULCRUM KIT FOR BEAD BREAKER ARM	KIT PIVOT BRAS DETALONNEUR	KIT PERNO BRAZO DESTALONADOR	1				X	
3	EAM0067G69A	SPRING-RECALL ARM, BEAD BREAKER	RESSORT RAPPEL BRAS DETALONNEUR	MUELLE REGRESO BRAZO DESTAL.	1				X	
4	EAK0306G23A	FIXING KIT FOR BEAD BREAKER ARM	KIT FIXATION BRAS DETALONNEUR	KIT FIJACIÓN BRAZO DESTALONADOR	1				X	
5	EAC0097G51A	WASHER - SHOCK ABSORBER	RONDELLE- AMORTISSEMENT	ARANDELA DE AMORTIGUACIÓN	1				X	
6	EAM0067G33A	WASHER,SUPPORT-BEAD BREAKER	RONDELLE APPUI DETALONNEUR	ARANDELA SOPORTE DESTALONADOR GALV.	1				X	
7	EAA0349G76A	RING- BOX, GREASE	COURONNE BOITE GRAISSE	ANILLO PORTAGRASA GALVANIZADO	1				X	
8	1-9841	WASHER,PLAIN d6 ZINC.	RONDELLE d.6	ARANDELA P.D.6 GALVANIZ.	2				X	
9	1-16309	SCREW HEX SOCKET M 6X16	VIS CHc	TORNILLO TCEI	2				X	
10	EAC0099G22A	PAD- SUPPORT, BEADBREAKER	PALIER APPUI DETALONNEUR	TAMPÓN SOPORTE DESTALONADOR	1				X	X
11	1-16409A	SCREW TCEI 6X20 8G	VIS CHc	TORNILLO TCEI	7				X	
12	EAC0114G12A	CUP FOR FRONTAL PROTECTION	BOUCHON POUR PROTECTION	TAMPA P/ PROT	1				X	
13	EAC0114G09A	FRONT PLASTIC PEDALS PROTECTION	PROTECTION ANTERIEURE PEDALLIER	PROTECCIÓN ANTERIOR PEDAL	2				X	
14	1-24223A	SCREW- SELFTHREAD. 10EX16 TE	VIS AUTOTAR.	TORNILLO AUTOF.	2				X	
15	1-19041A	WASHER 5X16X1	RONDELLE 5X16X1 BRUNIE	ARANDELA 5X16X1	2				X	
16	EAM0067G34A	SCREW,FITTING- CYLINDER B/BREAK	FIS FIXATION VERIN DETALONNEUR	TORNILLO FIJACIÓN CIL.DESTALON.	2				X	

**A** = available - disponible - disponible

**B** = on request - sur demande - a petición

**C** = suggested - suggeré - sugerido

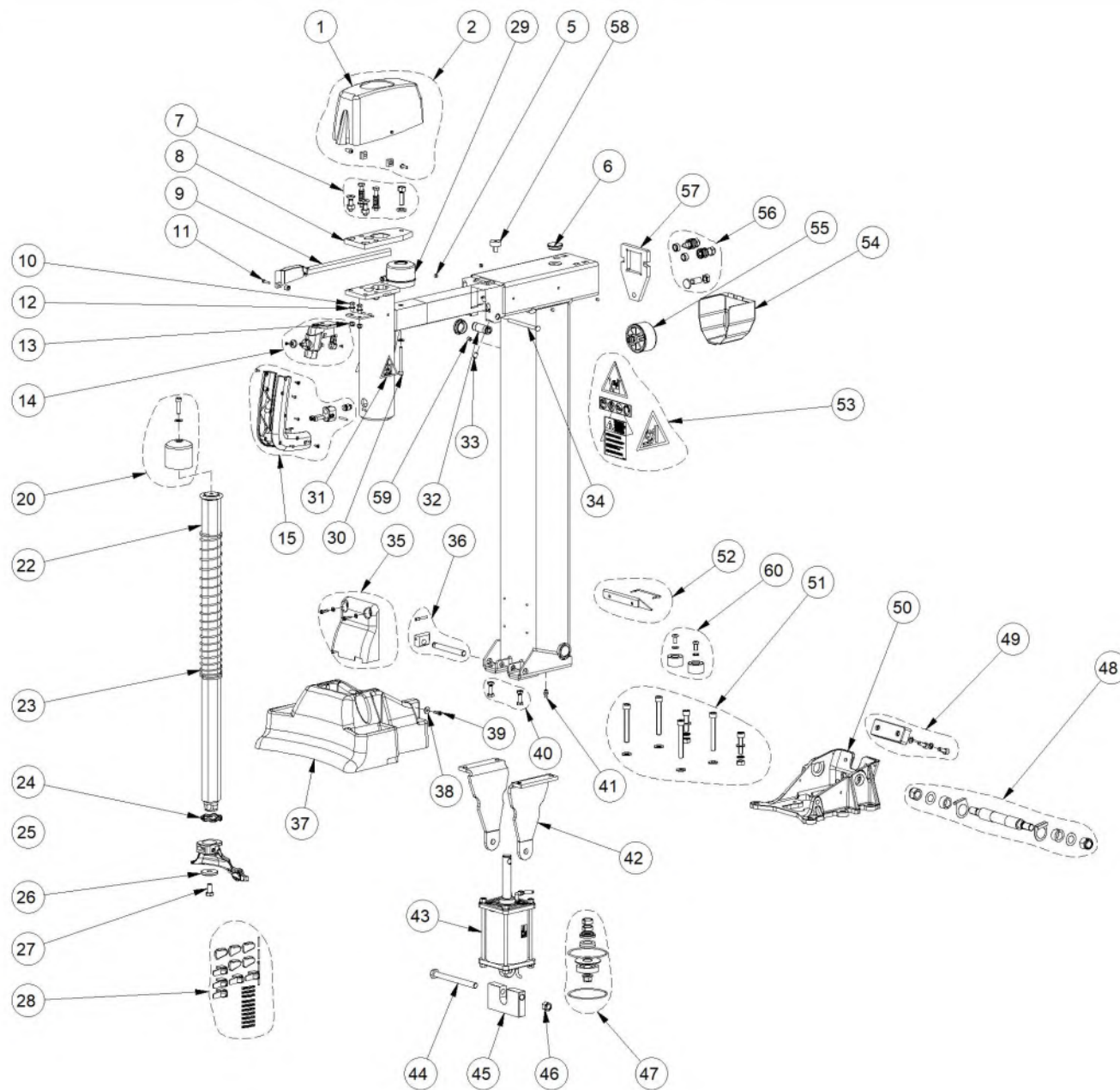
Pos	Code	Designation	Désignation	Designación	N.	Note	Nota	A	B	C
17	EAS2126G60A	BLACK SIDE	CÔTE NOIRE	FLANCO NEGRO	1				X	
17	EAS2238G37A	SIDE PANEL WITH COVER	CÔTE NOIRE	FLANCO NEGRO	1				X	
18	EAS2115G83A	PROTECTOR,PEDAL	PROTECTION PEDALE	PROTECCIÓN PEDAL NEGRO RECUBIERTO	1			X		
19	1-30901A2	SCREW TE 6X20 8G	VIS H	TORNILLO TE	1			X		
20	1-1548	WASHER-LOCK d.6	RONDELLE DE d.6	ARANDELA DE D.6	1			X		
21	1-11733	NUT M8	ECROU M8 6S	TUERCA M8 6S	2			X		
22	1-17841	WASHER - d. 8X24	RONDELLE d.8X24	ARANDELA COMUN D.8X24 GALVANIZ.	2			X		
23	1-32501A	SCREW 8X16 8G	VIS H	TORNILLO TE	2			X		

**A** = available - disponible - disponible

**B** = on request - sur demande - a petición

**C** = suggested - suggeré - sugerido

EAZ0132G84A.A



05/2019

Pos	Code	Designation	Désignation	Designación	N.	Note	Nota	A	B	C
1	EAC0102G54A	PROTECTION-UPPER, TOWER	PROTECTION SUPERIEURE, POTENCE	PROTECCIÓN SUPERIOR, COLUMNA	1			X		
2	EAK0306G40A	UPPER COLUMN CARTER KIT	KIT CARTER SUPERIEUR MAT	KIT CÁRTER SUPERIOR POSTE	1			X		
5	EAC0099G76A	D.5 CAP FOR SIDE PANEL	TOLE LATERAL	CHAPA LATERAL	4	D.5		X		
6	EAC0097G57A	PLUG-SCREW,RETAINING	BOUCHON - VIS ,ARRET	TAPA PARA TORNILLO DE PARE	2	UNI 5739-65		X		
7	EAK0306G39A	SCREWS FOR UPPER LOCKING LEVER	KIT VIS BLOCAGE SUPERIEUR	KIT TORNILLOS ESTRANGULADOR SUPERIOR	1	UNI5931-67		X		
8	EAM0074G94A	LEVER, PLATE-UPPER	LEVIER PLAQUETTE SUPERIERUE	PALANCA PLAQUETA SUPERIOR	1			X		
9	EAC0099G86A	CARTER, HOSES PROTECTION	CARTER PROTECTION TUYAUX	CÁRTER PROTECCIÓN TUBOS	1			X		
10	1-14701A	SCREW HEX HEAD MACHINE 6X16 8G	VIS H	TORNILLO TE	2			X		
11	1-17203A	SCREW TSEI 4X16 10.9	VIS FHc	TORNILLO TSEI	1	"M4X16 10,9"		X		
12	1-13241	WASHER,FLAT, d.6	RONDELLE DIAM 6	ARANDELA PLANA D.6 BR	3			X		
13	1-01637A	NUT-S.LOCK,HIGH - M6 5S	ECROU AUTOB.HAUT M6 5S	TUERCA M6 AUT.ALTO CL6	2			X		
14	EAA0338G09A	VALVE,LIFT CONTROL,YELLOW BUTTON	SOUPAPE CONTROLE ELEVATEUR	VALVULA MANDO ELEVADOR	1			X		X
15	EAK0316G10A	KIT HANDLE TILTING TOWER	KIT POIGNEE POTEAU RABATTABLE	KIT ASA POSTE ABATIBLE	1				X	
20	EAK0306G47A	PROTECTION KIT FOR SPRING	KIT PROTECTION RESSORT TIGE HEXAGONAL	KIT PROTECCIÓN MUELLE VARILLA HEXAGON	1			X		
22	20965	ROD- VERTICAL	TIGE VERTICALE	BARRA VERTICAL	1			X		
23	EAM0055G22A	SPRING,RECALL-TOWER, VERTICAL	RESSORT RETOUR TIGE VERTICALE	MUELLE REGRESO COLUMNA VERTICA	1			X		
24	EAC0094G01A	SHOCK ABSORBER- ROD	AMORTISSEUR- TIGE ST1235	AMORTIGUADOR ASTA	1			X		

**A** = available - disponible - disponible

**B** = on request - sur demande - a petición

**C** = suggested - suggeré - sugerido



Pos	Code	Designation	Désignation	Designación	N.	Note	Nota	A	B	C
25	EAA0329G95A	MOUNTING/DEMOUNTING TOOL	OUTIL P. MONTAGE ET DEMONTAGE	HERRAMIENTA P. MONTAJE Y DESMONTAJE	1			X		X
26	EAM0032G02A	WASHER- TOOL CLAMPING	RONDELLE FIXATION OUTIL	ARANDELA BLOQUEO HERRAMIENTA	1			X		
27	1-34301A	SCREW HEX 10X20 8G	VIS H	TORNILLO TE	1			X		
28	EAA0372G24A	PROTECTIONS FOR MOUNTING TOOLS	PROTECTIONS FOR MOUNTING TOOLS	GRUPO PROTECCIONES UNIFICADAS PARA H	1			X		X
29	EAA0344G32A	CYLINDER- VERTICAL, LOCKING	VERIN- BLOCAGE VERTICAL	CILINDRO BLOQUEO VERTICAL	1			X		X
30	1-17209	SCREW TCEI 6X60 8G	VIS CHc	TORNILLO TCEI	1	6X60 8G		X		
31	EAL0408G42A	STICKER DANGER	PLAQUETTE DANGER	ADHESIVO PELIGRO	2			X		
32	EAM0082G43A	ROLLER, ARM SLIDING	ROULEAU GLISSEMENT BRAS	CILINDRO DESPLAZAMIENTO BRAZO	1				X	
33	1-55101A	SCREW M8X1X12 BURNISHED UNI 5923	VIS FHc	TORNILLO STEI	4			X		
34	EAM0082G44A	KICKOFF	EXPULSOR	EXPULSOR	1				X	
35	EAK0306G83A	FRONT COLUMN PROTECTION KIT	KIT CARTER AVANT POTENCE	KIT CÁRTER ANTERIOR POSTE	1			X		
36	EAK0306G50A	Ø12 FULCRUM KIT	KIT PIVOT Ø12	KIT PERNO Ø12	1			X		
37	EAC0103G39A	BASE COLUMN PLASTIC COVER	HABILLAGE BASE POTENCE BASC.	COBERTURA BASE POSTE ABATIBLE	1			X		
37	EAM0180G26A	MACHINED BASE COVER	HABILLAGE BASE POTENCE BASC.USINÉ	COBERTURA BASE POSTE ABATIBLE TRABALI	1	MACHINED TRABALHADA		X		
38	1-19041A	WASHER 5X16X1	RONDELLE 5X16X1 BRUNIE	ARANDELA 5X16X1	4			X		
39	1-24223A	SCREW- SELFTHREAD. 10EX16 TE	VIS AUTOTAR.	TORNILLO AUTOF.	4			X		
40	EAK0306G49A	COLUMN END STROKE KIT	KIT FIN DE COURSE POTENCE	KIT FINAL DE CARRERA POSTE	1			X		

**A** = available - disponible - disponible

**B** = on request - sur demande - a petición

**C** = suggested - suggeré - sugerido

Pos	Code	Designation	Désignation	Designación	N.	Note	Nota	A	B	C
41	1-18084A	GREASER-NIPPLE M8x1,25	GRAISSEUR A BILLES	ENGRASADOR A ESFERA M8x1,25	1			X		
42	EAS2111G04A	BRACKET FOR TILTING TOWER, WHITE ZINC	OREILLE POUR BASCULANTE	OREJA PARA ABATIBLE	2			X		
43	EAA0356G14A	CYLINDER TILTING TOWER	VERIN POTENCE BASCULANTE	CILINDRO POSTE VOLCABLE	1			X		
44	1-21501	SCREW TE 12X140 8G	VIS H	TORNILLO TE	1	M112X140 8G		X		
45	EAM0069G66A	SPACER FOR CYLINDER	ENTRETOISE OREILLES VERIN ZING.BLANC	DISTANCIADOR OREJAS CILINDRO GALV. BLA	1			X		
46	1-19933A	NUT - LOCK - M12 DIN985	ECROU AUTOBLOQUANT M12	TUERCA M12 AUTOBLOQUEO CL6	1			X		
47	EAA0356G43A	SEALS,KIT FOR TILTING-TOWER CYLINDER D	KIT JOINTS VERIN BASCULEMENT D.90	KIT JUNTAS CILINDRO ABATIBLE D.90	1			X		X
48	EAK0306G02A	TILTING TOWER CONNECTING KIT	KIT RACORDEMENT POTENCE BASCULANTE	KIT CONEXIÓN POSTE PLEGABLE	1			X		
49	EAK0306G35A	CLAMP OVERTURNING KIT	KIT ARRET POTENCE BASCULANTE	KIT TOPE POSTE PLEGABLE	1	UNI 5737-65		X		
50	EAM0080G77A	TOWER SUPPORT MACHINED	SUPPORT POTENCE	SOPORTE POSTE MECANIZADO	1			X		
51	EAK0306G37A	SCREWS+BOLTS FOR COLUMN SUPPORT	KIT VIS SUPPORT POTENCE	KIT TORNILLOS SOPORTE POSTE	1			X		
52	EAK0306G51A	REAR COLUMN PROTECTION KIT	KIT CARTER ARRIERE POTENCE	KIT CÁRTER POSTERIOR POSTE	1	UNI 5933-67		X		
53	EAK0306G38A	LABEL KIT FOR COLUMN	KIT PLAQUETTES POTENCE	KIT PLACAS POSTE	2				X	
54	EAC0102G53A	PROTECTION, CYLINDER	PROTECTION VERIN	PROTECCIÓN CILINDRO	1			X		
55	EAA0344G48A	CYLINDER - ROD,HORIZONTAL-LOCK	VERIN- BLOCAGE HORIZONTAL	CILINDRO BLOQUEAJE ORIZONTAL	1			X		
56	EAK0306G48A	SCREWS FOR REAR LOCKING LEVER	KIT VIS BLOCAGE ARRIERE	KIT TORNILLOS ESTRANGULADOR POSTERIO	1	UNI 6592-69		X		
57	EAM0074G95A	LEVER, LOCKING	LEVIER DE BLOCAGE	PALANCA DE BLOQUEAJE	1			X		

**A** = available - disponible - disponible

**B** = on request - sur demande - a petición

**C** = suggested - suggeré - sugerido

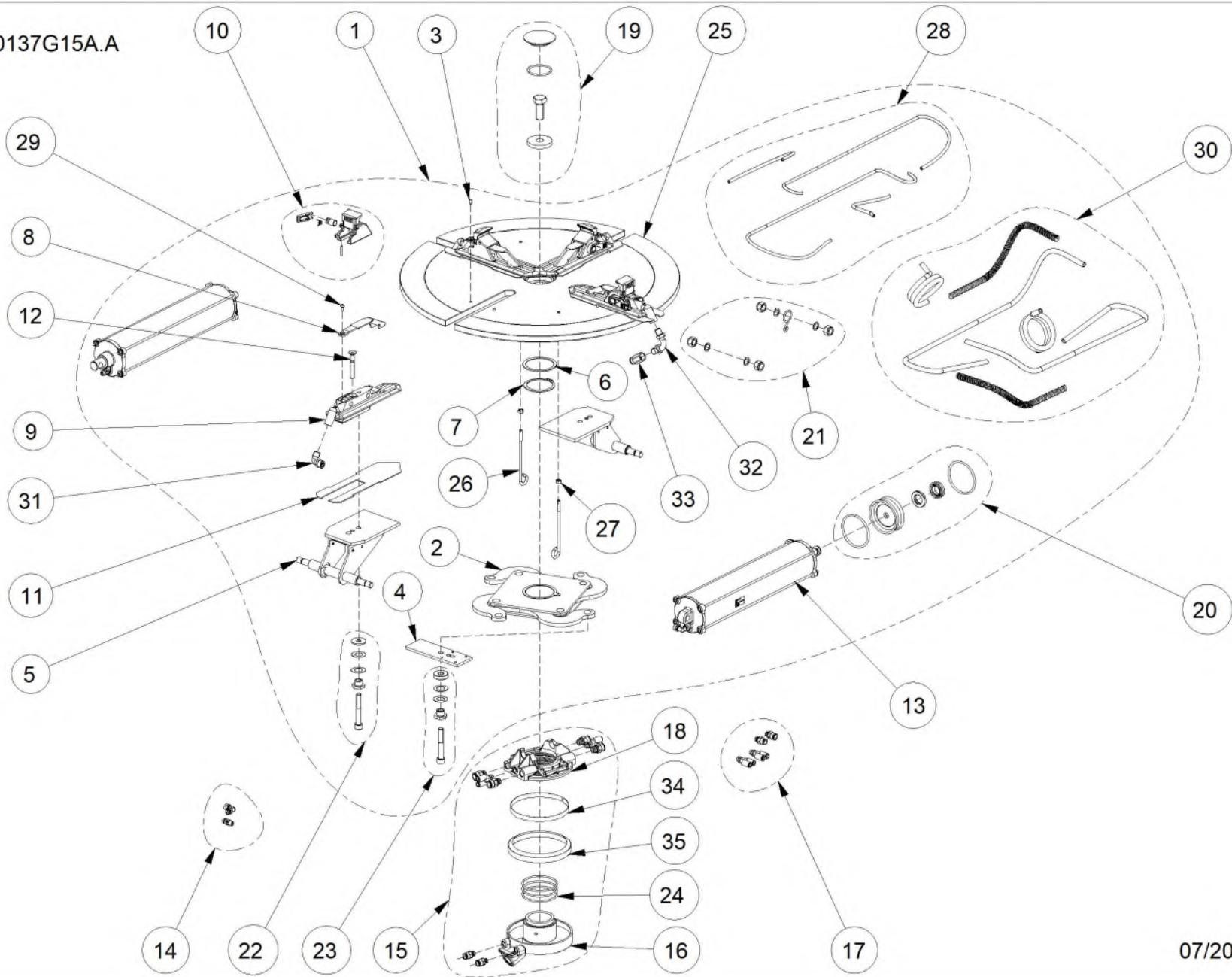
Pos	Code	Designation	Désignation	Designaciòn	N.	Note	Nota	A	B	C
58	EAC0094G00A	SCREW-ARM,RETAINING	VIS ARRET BRAS	TORNILLO DE PARO BRAZO	1			X		
59	1-47810	SCREW	VIS FHc	TORNILLO STEI	2	M8x80		X		
						UNI5923-67				
60	EAK0306G36A	SHOCK ABSORBER KIT FOR COLUMN	KIT TAMPONS AMORTISSEUR POTENCE	KIT TAMPONES AMORTIGUADOR POSTE	1			X		
						DIN 985				

**A** = available - disponible - disponible

**B** = on request - sur demande - a petición

**C** = suggested - suggeré - sugerido

EAZ0137G15A.A



07/2019

Pos	Code	Designation	Désignation	Designación	N.	Note	Nota	A	B	C
1	EAA0489G97A	TURNTABLE 24" CENTER TYPE NO GT	AUTOCENTRANT 24" CONV.CENT. NO GT	AUTOCENTRADO 24" CONV. CENTR. NO GT	1			X		
2	EAA0489G39A	20"/24" CLAMP ACTIONING PLATE	PLAQUETTE REGLAGE ETAUX	PLATO REGLAJE GARRAS	1			X		
3	1-25952A	PIN DOWEL 5x10 UNI EN 28734	GOUPILLE	PASADOR	8			X		
4	EAM0043G49A	PLATE, REGISTER -CLAMP	PLATEAU REGLAGE ETAU	PLATO REGLAJE GARRA	2			X		
5	EAA0377G79A	BRACKET CYLINDERS	SIEGE VERINS	ESTRIBO CILINDROS	2			X		
6	EAM0051G85A	SUPPORT,RING	BAGUE DE SOUTIEN	ARANDELA DE SOPORTE	1			X		
7	1-18677A	RING- STOP D.60	ANNEAU D'ARRET	ANILLO DE PARO PARA ÁRBOL D.60	1			X		
8	EAC0099G90A	PROTECTION JAWS NEW	PROTECTION ETAUX	PROTECCIÓN ABRAZADERA NUEVO ST.	4			X		X
9	EAM0075G00A	CLAMP, SLIDING W/CENTRE 20"-S2-MACHINE ETAU COULISSANT A/CENTRE 20"-S2	ABRAZADERA CORREDERA C/CENTRO 20"-S2	ABRAZADERA CORREDERA C/CENTRO 20"-S2	4			X		
10	EAA0408G23A	ASSEMBLED SLIDING JAW C/TYPE V2	CALE COULISSANTE C/C ASSEMBLEE V2	CUÑA DESLIZANTE C/C MONTADO V2	4			X		
11	EAS2201G51A	24" SLIDING CLAMP GUIDE	GUIDE ETAU COULISSANT 24"	GUÍA MORS. CORRED. 24"	4			X		
12	1-24603A	SCREW TSEI 8X60 12.9	VIS FHc	TORNILLO TSEI	4			X		
13	EAA0410G31A	CYLINDER, TURNTABLE	CYLINDRE AUTOCENTRANT	CILINDRO AUTOCENTRADOR	2			X		
14	EAK0330G35A	TT CYLINDER FITTINGS KIT	KIT RACCORDS CYLINDRE AUTOCENTRANT	KIT RACORES CILINDRO AUTOCENTRADOR	1				X	
15	EAA0304G69A	REVOLVING MANIFOLD, TUBELESS INFLATOF	DISTRIBUTEUR TOURNANT GT	DISTRIBUIDOR GIRATORIO GT	1			X		
16	EAA0338G27A	RING-INSIDE, WITH SUPPORTS	COLLIER INTERIEUR AVEC ROULEMEN	RUEDA CON CONEXIÓNS	1			X		
17	EAK0330G28A	REVOLVING MANIFOLD FITTINGS KIT	KIT RACCORDEMENT DISTRIB.TOURNANT	KIT RACORES DISTRIB. GIRATORIO	1				X	

**A** = available - disponible - disponible

**B** = on request - sur demande - a petición

**C** = suggested - suggeré - sugerido

Pos	Code	Designation	Désignation	Designación	N.	Note	Nota	A	B	C
18	EAA0338G76A	RING, OUTER - MANIFOLD	COLLIER EXTERIEUR COLLECTEUR	ARO EXTERIOR COLECTOR	1			X		
19	EAK0306G25A	TURNTABLE FIXING KIT	KIT RACCORDEMENT AUTOCENTRANT	KIT CONEXIÓN AUTOCENTRADOR	1			X		
20	EAK0317G36A	SEAL FOR ROUND CYLINDER	KIT JOINTS CYLINDRES RONDS	KIT JUNTAS CILINDROS REDONDOS	2			X		X
21	EAK0306G27A	SCREWS AND BOLTS FOR TURNTABLE CYL.	KIT VIS VERINS AUTOCENTRANT	KIT TORNILLOS CILINDROS AUTOCENTRADOR	1			X		
22	EAK0329G89A	SCREWS AND BOLTS FOR CLAMPS	KIT VIS PLATEAU COMMANDE BORNES	KIT TORNILLOS PLACA MANDO BORNES	2			X		
23	EAK0329G88A	SCREWS AND BOLTS WITH ECCENTRIC	KIT VIS AVEC EXCENTR.PLAQUE BORNES	KIT TORNILLOS EXCÉNTR.PLACA BORNES	2			X		
24	8-10814A	SEAL OR D.69.44X3.53	JOINT TORIQUE	JUARNICIÓN OR	3			X		X
25	EAA0481G73A	20"/24" TURNTABLE FLANGE, C/TYPE	PLATEAU AUTOCENTRANT CONV.CENT.	PLATO AUTOCENTRANTE CONV.CENT.	1			X		
26	1-11633A	NUT-HEX. M6 6S	ECROU M6 6S	TUERCA M6 CL.8 BR-MEDIO	2			X		
27	EAM0051G90A	SUPPORT, PIPE GT ( WHITE GALVAN.)	SUPPORT POUR TUYAU (ZINGAG. BLANC) GT	SOPORTE POR TUBO (GALV. BLANC) GT	2			X		
28	EAK0341G62A	TURNTABLES HOSES KIT	KIT TUBES AUTOCENTRANT	KIT TUBOS AUTOCENTRADOR	1				X	
29	1-36109A2	SCREW TBEI 5X10 8G	VIS BHc	TORNILLO TBEI	4			X		
30	EAK0341G63A	TURNTABLE HOSES KIT FOR GT	KIT TUBES AUTOCENTRANT GT	KIT TUBOS GT	1				X	
31	1-14379A	FITTING-90 DEG L 1/4 8X10	RACCORD A L 1/4 8X10	CONEXIÓN EN L 1/4 BX10	2			X		
32	EAM0051G83A	PIPE FOR TERMINAL GT	TUYAU POUR BORNE GT	TUBO POR BORNE GT	2			X		
33	1-14479A	FITTING, SWIFT F.8X10 1/4"	RACCORD RAPIDE F. 8X10 1/4"	CONEXIÓN RÁPIDA F.8X10 1/4"	2			X		
34	EAA0338G77A	SPRING, JOINT SEALING	RESSORT RETENUE JOINT	MUELLE SUJECIÓN JUNTA	1			X		

**A** = available - disponible - disponible

**B** = on request - sur demande - a petición

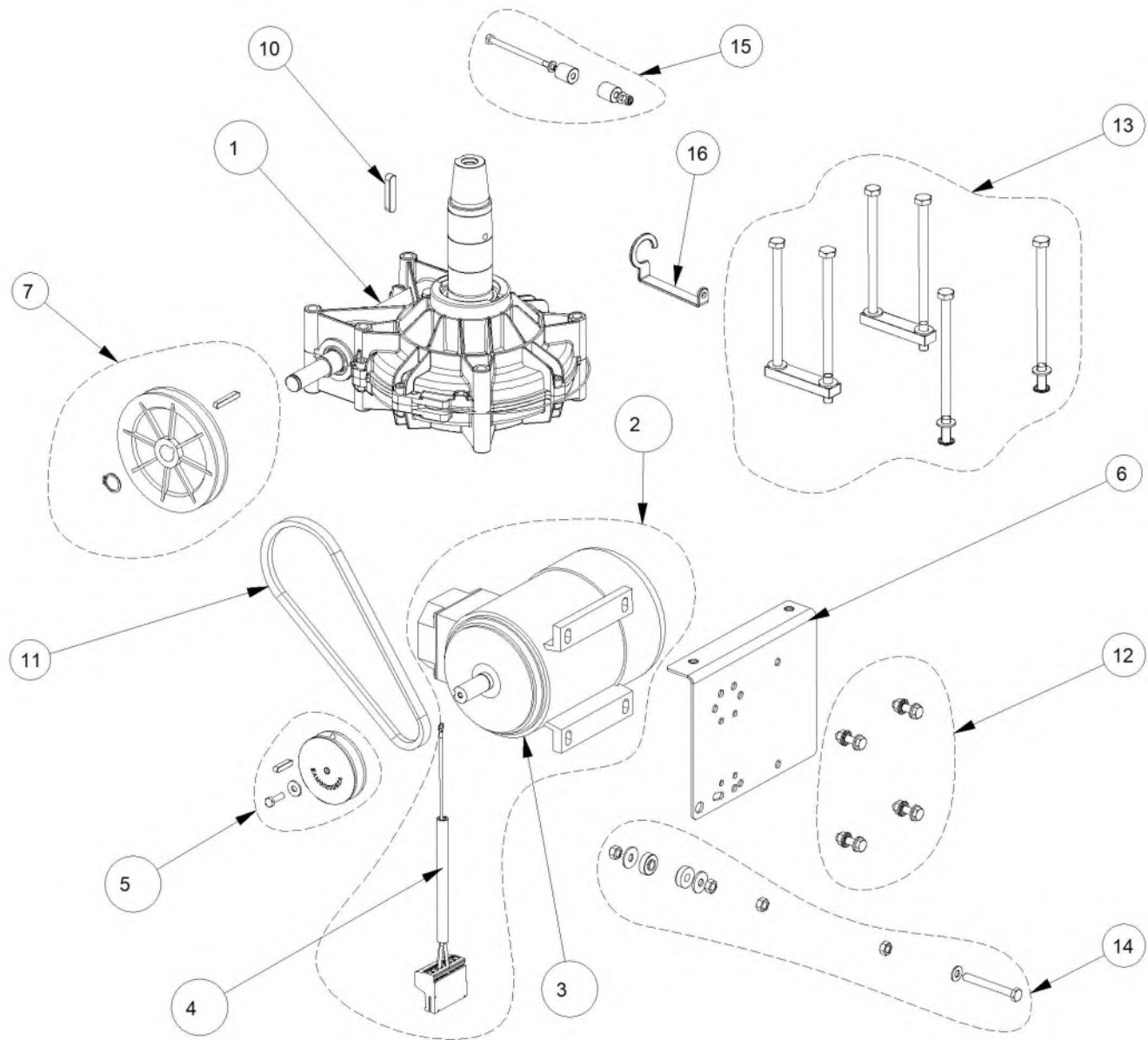
**C** = suggested - suggeré - sugerido

Pos	Code	Designation	Désignation	Designación	N.	Note	Nota	A	B	C
35	EAC0087G50A	SEAL TUBELESS INFLATOR-FRONT	JOINT FRONTAL GONFLEUR	JUARNICIÓN FRONTAL HINCHADOR TUBELES	1			X		X

**A** = available - disponible - disponible

**B** = on request - sur demande - a petición

**C** = suggested - suggeré - sugerido





Pos	Code	Designation	Désignation	Designación	N.	Note	Nota	A	B	C
1	EAA0457G27A	GEARBOX	REDUCTEUR	REDUCTOR	1			X		
2	EAA0371G80A	1PH 230V MOTOR CABLE ASM	GROUPE MOTEUR CABLE 1F 230V	GRUPO MOTOR CABLE 1F 230V	1	C		X		
2	EAA0371G84A	3PH 230V MOTOR CABLE ASM	GROUPE MOTEUR CABLE 3F 230V	GRUPO MOTOR CABLE 3F 230V	1	G		X		
2	EAA0371G85A	3PH 400V MOTOR CABLE ASM	GROUPE MOTEUR CABLE 3F 400V	GRUPO MOTOR CABLE 3F 400V	1	H		X		
2	EAA0534G62A	1 PHASE US MOTOR CABLE ASSEMBLY	GROUPE CABLE MOTEUR 1F US	GRUPO CABLE MOTOR 1F US	1			X		
3	EAA0350G22A	MOTOR SINGLE PHASE 230-50Hz-HP1	MOTEUR MONOPHASE 230-1-50-HP1	MOTOR MONOFASICO 230V 50Hz-HP1	1	C		X		
3	2-60266A	MOTOR 0.8/1.1KW 3PH 2/4P 200V 50HZ	MOTEUR 0.8/1.1KW 3F 2/4P 200V 50HZ	MOTOR 0.8/1.1KW 3F 2/4P 200V 50HZ	1	D		X		
3	2-60366A	MOTOR 0.8/1.1KW 3PH 2/4P 400V 50HZ	MOTEUR 0.8/1.1KW 3F 2/4P 400V 50HZ	MOTOR 0.8/1.1KW 3F 2/4P 400V 50HZ	1	F		X		
3	2-60466A	MOTOR 0.8/1.1KW 3PH 2/4P 230V 50HZ	MOTEUR 0.8/1.1KW 3F 2/4P 230V 50HZ	MOTOR 0.8/1.1KW 3F 2/4P 230V 50HZ	1	E		X		
3	2-99966A	MOTOR 1PHASE 115V 60Hz 1HP	MOTEUR MONOPHASE 115V 60Hz HP1	MOTOR MONOFASICO 115V 60Hz HP1	1			X		
3	2-53066A	MOTOR 3PH 0,75 kW 1PS 220-380V-50Hz	MOTEUR 3ph 220-380V-50Hz-Hp1	MOTOR 3ph 220-380V-50Hz-Hp1	1	G - H		X		
4	EAW0277G10A	1PH 115V MOTOR CABLE	CABLE MOTEUR 1F 115VAC	CABLE MOTOR 1F 115VCA	1				X	
4	EAW0277G12A	1PH 230V MOTOR CABLE	CABLE MOTEUR 1F 230V	CABLE MOTOR 1F 230V	1	C			X	
4	EAW0277G14A	3PH 200V 2SPEED MOTOR CABLE	CABLE MOTEUR 3F 200V 2VIT.	CABLE MOTOR 3F 200V 2VELOC.	1	D			X	
4	EAW0277G16A	3PH 230V 2SPEED MOTOR CABLE	CABLE MOTEUR 3F 230V 2VIT.	CABLE MOTOR 3F 230V 2VELOC.	1	E			X	
4	EAW0277G18A	3PH 400V 2SPEED MOTOR CABLE	CABLE MOTEUR 3F 400V 2VIT.	CABLE MOTOR 3F 400V 2VELOC.	1	F			X	
4	EAW0277G20A	3PH 230V MOTOR CABLE	CABLE MOTEUR 3F 230V	CABLE MOTOR 3F 230V	1	G			X	

**A** = available - disponible - disponible

**B** = on request - sur demande - a petición

**C** = suggested - sugeré - sugerido

Pos	Code	Designation	Désignation	Designación	N.	Note	Nota	A	B	C
4	EAW0277G22A	3PH 400V MOTOR CABLE	CABLE MOTEUR 3F 400V	CABLE MOTOR 3F 400V	1	H			X	
4	EAW0277G38A	115VAC MOTOR CABLE (ORANGE)	CABLE MOTEUR 115VAC (ORANGE)	CABLE MOTOR 115VCA (NARANJA)	1				X	
5	EAK0330G25A	MOTOR D.70 PULLEY KIT	KIT POULIE MOTEUR D.70	KIT POLEA MOTOR D.70	1	C-D-E-F-G-H		X		
6	EAS2109G06A	SUPPORT- MOTOR	SUPPORT MOTEUR	SOPORTE MOTOR	1			X		
6	EAS2131G28A	MOTOR SUPPORT	SUPPORT MOTEUR	SOPORTE MOTOR	1			X		
7	EAK0341G09A	REDUCTION UNIT PULLEY KIT	KIT POULIE REDUCTEUR	KIT POLEA REDUCTOR	1			X		
7	EAK0341G45A	PULLEY KIT	KIT DE POULIE	KIT DE POLEA	1	Dp 160mm		X		
10	1-1572	KEY-10x8x45	LANGUETTE	LENGUETA	1			X		
11	EAC0099G95A	BELT, A27	COURROIE A27	CORREA A27	1			X	X	
11	EAC0078G58A	V BELT, A-26	COURROIE A-26	CORREA A-26	1			X	X	
11	EAC0100G52A	BELT A29	COURROIE A29	CORREA A29	1			X	X	
12	EAK0279G63A	SCREWS KIT FOR 1PHASE MOTOR	KIT VIS MOTEUR MONOPHASE	KIT TORNILLOS MOTOR MONOFÁSICO	1			X		
12	EAK0279G64A	SCREWS KIT FOR MOTOR	KIT VIS MOTEUR	KIT TORNILLOS MOTOR	1	C-D-E-F-G-H		X		
13	EAK0279G65A	SCREWS KIT FOR GEARBOX	KIT VIS REDUCTEUR	KIT TORNILLOS REDUCTOR	1			X		
14	EAK0279G66A	BELT TIGHTENER KIT	KIT TENDEUR-COURROIE	KIT TENSOR DE CORREA	1			X		
15	EAK0279G67A	ANTIROTATION KIT	KIT ANTIROTATION	KIT ANTIRROTACIÓN	1			X		
16	EAS2140G91A	SUPPORT FOR REV. MANIFOLD HOSES	SOUTIEN POUR LES TUYAUX RENOUEVELABLE	APOYO A GIRATORIO MANGUERAS COLECTO	1	Alu.Rev.Dist.			X	

**A** = available - disponible - disponible

**B** = on request - sur demande - a petición

**C** = suggested - sugeré - sugerido



Pos	Code	Designation	Désignation	Designación	N.	Note	Nota	A	B	C
1	EAA0370G78A	FOOT PEDAL ASM 4 PEDALS 3PH 230V	GROUPE JEU DE 4P 3PH 230V	JUEGO DE PEDALES 4P 3F 230V	1			X		
1	EAA0370G79A	FOOT PEDAL ASM 4P 3PH 230V (CE)	GROUPE JEU DE 4P 3PH 230V (CE)	JUEGO DE PEDALES 4P 3F 230V (CE)	1			X		
1	EAA0370G80A	FOOT PEDAL ASM 4P 3PH 230V (AUS)	GROUPE JEU DE 4P 3PH 230V (AUS)	JUEGO DE PEDALES 4P 3F 230V (AUS)	1			X		
1	EAA0370G81A	FOOT PEDAL ASM 4 PEDALS 3PH 400V	GROUPE JEU DE 4P 3PH 400V	JUEGO DE PEDALES 4P 3F 400V	1			X		
1	EAA0370G82A	FOOT PEDAL ASM 4P 3PH 400V (CE)	GROUPE JEU DE 4P 3PH 400V (CE)	JUEGO DE PEDALES 4P 3F 400V (CE)	1			X		
1	EAA0370G83A	FOOT PEDAL ASM 4P 3PH 400V (AUS)	GROUPE JEU DE 4P 3PH 400V (AUS)	JUEGO DE PEDALES 4P 3F 400V (AUS)	1			X		
1	EAA0370G84A	FOOT PEDAL ASM 4P 1PH 115V (US)	GROUPE JEU DE 4P 1PH 115V (US)	JUEGO DE PEDALES 4P 1F 115V (US)	1			X		
1	EAA0370G85A	FOOT PEDAL ASM 4P 1PH 230V	GROUPE JEU DE 4P 1PH 230V	JUEGO DE PEDALES 4P 1F 230V	1			X		
1	EAA0370G86A	FOOT PEDAL ASM 4P 1PH 230V (UK)	GROUPE JEU DE 4P 1PH 230V (UK)	JUEGO DE PEDALES 4P 1F 230V (UK)	1			X		
2	EAM0068G80A	PEDAL ASM SUPPORT - MACHINED	SUPPORT JEU PÉDALES - USINÉ	SOPORTE JUEGO DE PEDALES-MECANIZADO	1				X	
3	EAM0068G10A	SHAFT-HINGE, PEDAL	PIVOT PEDALES	EJE PEDALES	1				X	
4	EAM0070G32A	COMMUTATOR SPRING GUIDE	GUIDE RESSORT INVERSEUR	GUÍ MUELLE INVERTIDOR	1				X	
5	EAM0048G78A	SPRING, PEDAL SWITCH	RESSORT, PEDAL INTERRUPTEUR	MUELLE PEDAL INTERRUPTOR	1			X		X
6	EAA0356G94A	VALVE BEAD-BREAKER	VALVE DÉTALONNEUR	VÁLVULA DESTALONADOR	2			X		X
7	EAM0068G95A	STANDARD PEDAL - MACHINED	PEDAL STD.	PEDAL STD	3					X
8	EAM0147G64A	SPRING RECALL PEDALS	RESSORT RETOUR PEDALES	MUELLE DE RETORNO PEDALES	3			X		
9	EAM0070G46A	SPACER L=11 mm	ENTRETOISE L=11 mm	DISTANCIADOR L=11 mm	2			X		

**A** = available - disponible - disponible

**B** = on request - sur demande - a petición

**C** = suggested - suggeré - sugerido

Pos	Code	Designation	Désignation	Designación	N.	Note	Nota	A	B	C
10	EAM0048G79A	BUSHING, CENTERING- SPRING	COQUILLE SIEGE RESSORT	CASQUILLO CENTRADO MUELLE	1			X		
11	EAC0096G11A	SPACER-PEDAL	ENTRETOISE PÉDALES	DISTANCIADOR PEDALES	1				X	
12	EAA0356G92A	RIGHT SWITCH FOOT PEDAL	PEDALE INTERRUPTEUR DROIT	PEDAL INTERRUPTOR DER.	1				X	
13	EAC0099G29A	CAM FOR PEDAL B	CAME PEDALE	LEVA PEDAL	1			X		
14	EAS2115G09A	PROTECTION SHEET FOR CAM	TOLE PROTECTION CAME	CHAPA PROTECCIÓN EXCÉNTRICO	1			X		
15	EAS2111G73A	ROD POSITIONER PEDAL	BIELLE POSITIONNEMENT PEDALE	BIELA DE POSICIONAMIENTO PEDAL	2			X		X
16	EAA0356G96A	TURNTABLE/ TILTING VALVE	SOUPAPE POUR TUBES D.4X6	VÁLVULA PARA TUBOS D.4X6	1			X		X
17	EAA0394G63A	1S SWITCH SUPPORT ASM	SUPPORT INTERRUPTEUR 1S D	GRUPO SOPORTE INTERRUPTOR 1S DX	1				X	
18	EAA0347G61A	ROD, REGISTER-REVERSING GEAR	BIELLE COMMANDE INVERSEUR	BIELA COMANDO INVERSOR	1			X		
19	EAK0279G40A	NUTS/BOLTS FOR SWITCH	KIT VIS FIXATION INVERSEUR	KIT TORNILLOS CONEXIÓN INTERRUPTOR	1				X	
20	EAA0394G30A	3 PH 230V SWITCH-CABLE ASSY W/O PLUG	GR. CABLE-INVERSEUR 3F 230V SANS BROCH	GR. CABLE-INVERSOR 3F 230V SIN PASADOR	1			X		
20	EAA0394G31A	3 PHASE 230V SWITCH-CABLE ASSY WITH PL	GR. CABLE-INVERSEUR TRIPHASE 230V AVEC	GR. CABLE-INVERSOR TRIFASE 230V CON PA	1			X		
20	EAA0394G32A	3 PH 230V SWITCH-CABLE ASSY PLUG AUS	GR. CABLE-INVERSEUR 3F 230V BROCHE AUS	GR. CABLE-INVERSOR 3F 230V PASADOR AUS	1	AUS		X		
20	EAA0394G33A	ASSY REVERSING SWITCH 3 PH 400V	GROUPE INVERSEUR 3PH 400V	GRUPO INVERSOR 3F. 400V	1			X		
20	EAA0394G34A	ASSY REV. SWITCH 400V 3PH CE PLUG	GROUPE INVERSEUR 3PH 400V (CE)	GRUPO INVERSOR 3F. 400V (CE)	1			X		
20	EAA0394G35A	ASSY REV. SWITCH 3PH 400V AUS PLUG	GROUPE INVERSEUR 3PH 400V (AUS)	GRUPO INVERSOR 3F. 400V (AUS)	1			X		
20	EAA0394G36A	1 PHASE SWITCH-CABLE ASSY. DX US	GR. CABLE INVERSEUR MONOPHASE US DRO	GR. CABLE-INVERSOR MONOFASE US DERE	1			X		

**A** = available - disponible - disponible

**B** = on request - sur demande - a petición

**C** = suggested - suggéré - sugerido

Pos	Code	Designation	Désignation	Designación	N.	Note	Nota	A	B	C
20	EAA0394G38A	1 PHASE SWITCH-CABLE ASSY WITHOUT PLL GR. CABLE-INVERSEUR MONOPHA. SANS BRC	GR. CABLE-INVERSEUR MONOPHA. SANS BRC	GR. CABLE-INVERSOR MONOFASE SIN PASAC	1			X		
20	EAA0394G39A	1 PH 230V SWITCH-CABLE ASSY UK PLUG	GR. CABLE-INVERSEUR MONOPH. BROCHE UI	GR. CABLE-INVERSOR MONOF. PASADOR UK	1	UK		X		
21	EAA0364G09A	HOSES KIT FOOT PEDAL ASM 4P - STD	KIT TUBES PEDALIER 4P - STD	KIT TUBOS PEDAL 4P - STD	1			X		
22	EAK0279G39A	NUTS/SCREWS FOR FOOT PEDAL ASM	KIT VIS JEU PÉDALES	KIT TORNILLOS JUEGO DE PEDALES	1			X		

**A** = available - disponible - disponible

**B** = on request - sur demande - a petición

**C** = suggested - suggeré - sugerido



Pos	Code	Designation	Désignation	Designación	N.	Note	Nota	A	B	C
1	EAA0377G31A	TC 22" BEAD BREAKER CYLINDER	VERIN DETALONNEUR TC 22"	CILINDRO DESTALONADOR TC 22"	1			X		
2	1-11379A	FITTING-ST 6X8 1/8	RACCORD 6x8 1/8	CONEXIÓN 6X8 1/8	1			X		
3	EAM0085G80A	ROD BEAD-BREAKER CYLINDER	TIGE CYLINDRE DETALONNEUR	VARILLA CILINDRO DESTALONADOR	1		DIN 137	X		
4	1-20179A	FITTING "L" 6X8	RACCORD	CONEXION RÁPIDA	1			X		
5	EAK0306G16A	SCREWS AND BOLTS FOR BEAD BREAKER C' KIT VIS FLASQUE VERIN DETAL.		KIT TORNILLOS BRIDA CIL. DESTAL.	1				X	
6	EAK0306G19A	SEALS FOR BEAD BREAKER CYL.	KIT GARNITURES VERIN DETAL.	KIT JUNTAS CIL. DESTAL.	1			X		X
7	EAA0338G44A	BEAD BREAKER EXTENSIBLE	DETTALLONEUR EXTENSIBLE	DESTALONADORA EXTENSIBLE	1				X	
8	EAS2108G27A	ARM SUPPORT, BEAD-BREAKER	SUPPORT BRAS DETALONNEUR	SOPORTE BRAZO DESTALONADORA	1			X		
9	EAA0328G72A	PIN - LOCK	GOUPILLE DE REGLAGE	ESPINA DE REGLAJE	1			X		
10	EAS2087G90A	EXTENSION-ARM,B/BREAKER	RALLONGE BRAS DETALONNEUR	EXTENSION-BRAZO DESTALONADOR	1			X		
11	1-5246	WASHER 14MM	RONDELLE d.14	ARANDELA ELAST.OND.TIPO B D.14	2			X		
12	EAS2087G93A	BLADE, BEADBREAKER	PALETTE DETALONNEUR	PALETA DESTALONADOR	1			X		
13	EAC0078G04A	HANDLE-RUBBER	POIGNEE POUR LEVIER	MANIJA PARA PALANCA	1			X		
14	1-22609	SCREW TCEI M14X110 8.8	VIS CHC M14X110 8.8	TORNILLO TCEI M14X110 8.8	1			X		
15	1-10433	NUT-S.LOCK,LOW- M14	ECROU AUTOBLOCANT M 14	TUERCA M14 AUT.BAS.CL.6	1			X		
16	EAK0306G20A	FULCRUM KIT FOR BEAD BREAKER ARM	KIT PIVOT BRAS DETALONNEUR	KIT PERNO BRAZO DESTALONADOR	1			X		
17	EAK0306G23A	FIXING KIT FOR BEAD BREAKER ARM	KIT FIXATION BRAS DETALONNEUR	KIT FIJACIÓN BRAZO DESTALONADOR	1			X		

**A** = available - disponible - disponible

**B** = on request - sur demande - a petición

**C** = suggested - suggeré - sugerido



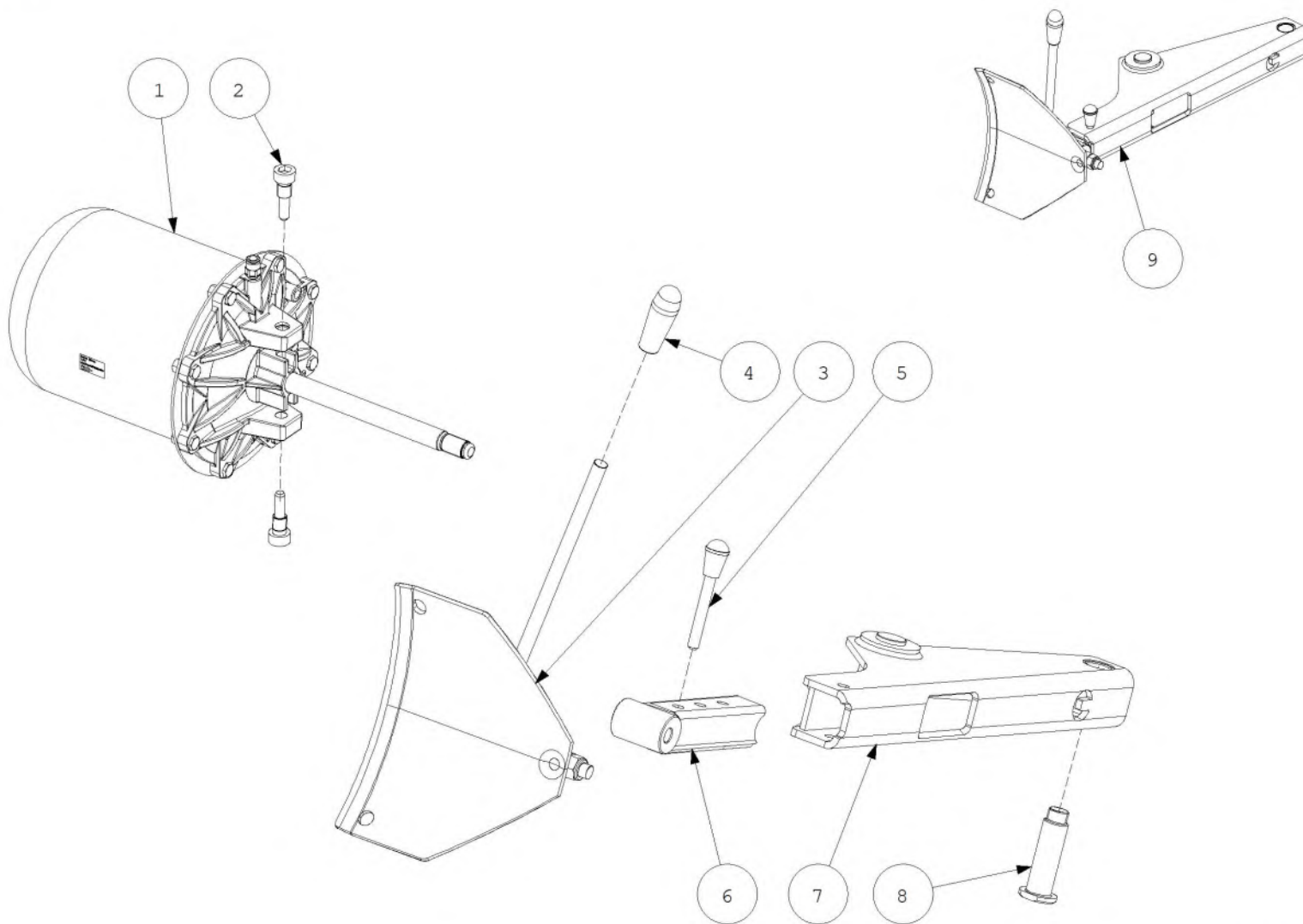
Pos	Code	Designation	Désignation	Designaciòn	N.	Note	Nota	A	B	C
18	EAM0067G69A	SPRING-RECALL ARM, BEAD BREAKER	RESSORT RAPPEL BRAS DETALONNEUR	MUELLE REGRESO BRAZO DESTAL.	1			X		
19	EAM0067G34A	SCREW,FITTING- CYLINDER B/BREAK	FIS FIXATION VERIN DETALONNEUR	TORNILLO FIJACIÓN CIL.DESTALON.	2			X		
20	EAK0306G21A	END STROKE KIT FOR BEAD BREAKER ARM	KIT FIN DE COURSE POUR DETALONNEUR	KIT FINAL DE CARRERA DESTALONADORA	1	L=50mm		X		
20	EAK0341G78A	END STROKE KIT FOR BEAD BREAKER ARM	KIT FIN DE COURSE POUR DETALONNEUR	KIT FINAL DE CARRERA DESTALONADORA	1	L=75mm		X		

**A** = available - disponible - disponible

**B** = on request - sur demande - a petición

**C** = suggested - suggeré - sugerido

EAZ0137G07A.A



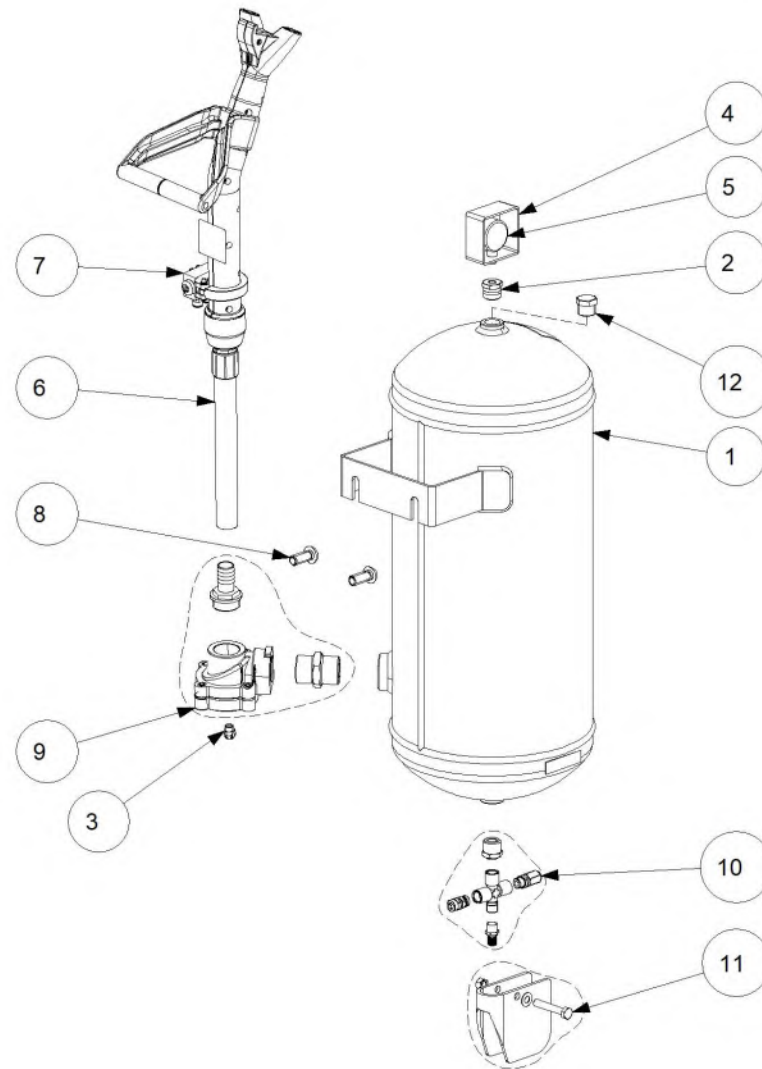
07/2019

Pos	Code	Designation	Désignation	Designación	N.	Note	Nota	A	B	C
1	EAA0490G01A	CYLINDER, BEAD BREAKER	VERIN DETALONNEUR	CILINDRO DESTALONADOR	1			X		X
2	EAM0067G34A	SCREW, FITTING- CYLINDER B/BREAK	FIS FIXATION VERIN DETALONNEUR	TORNILLO FIJACIÓN CIL.DESTALON.	2			X		
3	EAS2153G37A	BB BLADE GROUP	GROUPE LAME	GRUPO CUCHILLA	1			X		
4	EAC0078G04A	HANDLE-RUBBER	POIGNEE POUR LEVIER	MANIJA PARA PALANCA	1			X		X
5	EAA0328G72A	PIN - LOCK	GOUPILLE DE REGLAGE	ESPINA DE REGLAJE	1			X		
6	EAS2169G69A	EXTENSION FOR B/BREAKER ARM	RALLONGE BRAS DETALONNEUR	ALARGADOR BRAZO DESTALONADOR	1			X		
7	EAS2196G59A	ARM SUPPORT BEAD BREAKER	SUPPORT BRAS DETALONNEUR	SOPORTE BRAZO DESTALONADOR R9005	1			X		
8	EAM0086G16A	FULCRUM-PIN BEAD-BREAKER	AXE PIVOT DETALONNEUR	PERNO PIVOTE DESTALONADOR	1			X		
9	EAA0490G02A	BEAD BREAKER GROUP	GROUPE DETALONNEUR	GRUPO DESTALONADOR	1	HD				X

**A** = available - disponible - disponible

**B** = on request - sur demande - a petición

**C** = suggested - suggeré - sugerido



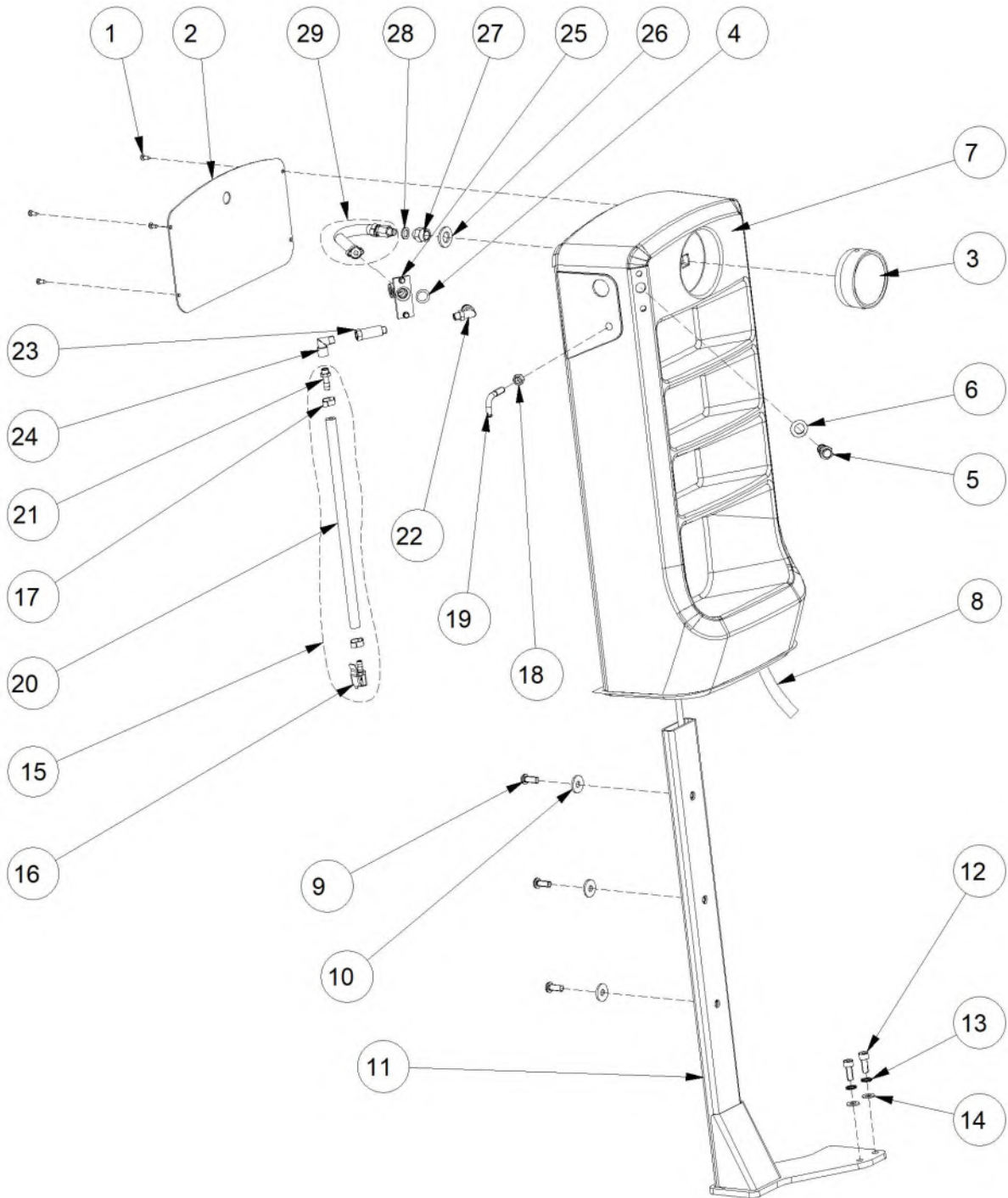
Pos	Code	Designation	Désignation	Designación	N.	Note	Nota	A	B	C
1	EAS2089G67A	TANK - INFLATOR	RESERVOIR POMPE LAQUE NOIR	TANQUE INFLATOR TUBELESS	1			X		
2	1-12579A	STRAIGHT, FITTING MF 1/2"-1/8"	REDUCTION MF 1/2"-1/8" CYLINDRIQUE	REDUCCIÓN MH 1/2"-1/8" CILÍNDRICO	1	"3/8""-1/8"" CIL"		X		
3	1-17179A	ELBOW FITTING "L" 4X6 1/4"	RACCORD A L 4X6 1/4"	CONEXIÓN DE TORNILLO EN "L" 4X6 1/4"	1			X		
4	EAM0074G01A	PROTECTION, MANOMETER	PROTECTION MANOMETRE	PROTECCIÓN MANÓMETRO	1				X	
5	8-06120A	MANOMETER-RADIAL 0-16 D.40	MANOMETRE RADIAL 0-16 D.40	MANÓMETRO RADIAL 0-16BAR D.40	1			X		
6	EAA0363G53A	GT ASSEMBLY	GROUPE GT	GRUPO GT	1			X		
7	EAA0362G84A	BEAD INFLATOR CONTROL VALVE	VALVE ACTIONNEMENT DETALONNEUR	VÁLVULA ACCIONAMIENTO GT COMPLETA	1			X		
8	1-58409A	SCREW	VIS	TORNILLO	1	M12X30 8K ISO 7380		X		
9	EAK0306G44A	ASSY, VALVE FOR GT NOZZLE	KIT SOUPAPE POUR BUSE GT	KIT VÁLVULA PARA BOQUILLA GT	1			X		X
10	EAK0306G46A	FITTINGS FOR GT NOZZLE	KIT RACCORDES BUSE GT	KIT CONEXIONES BOQUILLA GT	2				X	
11	EAK0306G45A	FITTINGS PROTECTION FOR GT	KIT PROTECTION RACCORDES GT	KIT PROTECCIÓN RACORES GT	1				X	
12	1-09276A	1/2" CAP	BOUCHON 1/2"	TAPÓN 1/2"	1				X	

**A** = available - disponible - disponible

**B** = on request - sur demande - a petición

**C** = suggested - suggéré - sugerido

EAZ0137G01A.A



05/2019

Pos	Code	Designation	Désignation	Designación	N.	Note	Nota	A	B	C
1	1-20423	SELF TAPPING SCREW d4,2x13	VIS AUTOTAR. d4,2x13 tcb br	TORNILLO AUTOROS. d4,2x13 tcb br	4			X		
2	EAS2153G75A	COVER, FOR BOX, BLACK PAINTED	COUVERCLE BOITE NOIRE	TAPA POR CAJA NEGRA	1			X		
3	8-06520A	MANOMETER EEC APPROVED 0-10 BAR	MANOMETRE CEE	MANÓMETRO NORMAS CEE	1	EEC 0-10 BAR		X		
3	EAC0078G28A	MANOMETER D80 EEC BAR/PSI	MANOMETRE D80 CEE BAR/PSI	MANÓMETRO D80 CEE BAR/PSI	1			X		
3	EAA0332G41A	PRESSURE GAUGE PSI / Kpa	MANOMETRE PSI/Kpa	MANÓMETRO PSI/Kpa	1			X		
4	8-10414A	SEAL-OR d.14	JOINT OR d. 14	JUNTA OR d.14	1			X		
5	EAA0328G57A	BLEEDER VALVE	VALVE DEGONFLAGE	VALVULA DESENFADOR	1			X		
6	EAM0043G64A	WASHER, BLEEDER VALVE	RONDELLE SOUPE DE DEGONFLAGE	ARANDELA PARA BLOQUE DESHINCHADOR	1			X		
7	EAC0114G08A	TOOL STORAGE BOX	CASSETTE PORTE-OBJECTS	CAJON PUERTA OBJETOS	1				X	
8	24201	HOSE-AIR 6X8, BLACK	TUYAU AIR 6X8, NOIR	TUBO AIRE 6X8, NEGRO	1			X		
9	1-18702A	SCREW FILLISTER HEAD	VIS BHc	TORNILLO TBEI	3	ISO7380			X	
10	1-17841A	WASHER d. 8X24, BLK	RONDELLE D 8X 24	ARANDELA D 8X 24	3			X		
11	EAA0410G29A	SUPPORT FOR STORAGE BOX	SUPPORT CASSETTE PORTE-OBJETS	SOPORTE CAJA PORTAOBJETOS	1				X	
12	1-17709	SCREW TCEI 8X20 8G	VIS CHc	TORNILLO TCEI	2			X		
13	1-3048	WASHER SHAKEPROOF D8 BLK.	RONDELLE DIAM 8	ARANDELA DE D.8	2			X		
14	1-10041	WASHER D.8	RONDELLE DIAM 8	ARANDELA PLANA D.8 GALVANIZ.	2			X		
15	EAA0481G30A	HOSE INFLATION+CHUCK/FITTINGS	TUYAU PISTOLET AVEC RACCORDS	TUBO PISTOLETA INFLAJE+EMPALM	1			X		

**A** = available - disponible - disponible

**B** = on request - sur demande - a petición

**C** = suggested - suggeré - sugerido

Pos	Code	Designation	Désignation	Designación	N.	Note	Nota	A	B	C
16	1-28579A	INFLATING STRAIGHT CLIP CHUCK	PINCE GONFLAGE	ALICATE PARA INFLAJE	1		1/4"	X		
17	1-03482A	HOSE CLAMP	COLLIER SERRE-TUBE	ABRAZADERA APRIETA-TUBO 13-15 MM *CON	2			X		
18	1-11733	NUT M8	ECROU M8 6S	TUERCA M8 6S	1			X		
19	EAA0490G75A	HOOK INFL. GAUGE FOR CHUCK DILL	CROCHET PISTOLET DE GONFLAGE	GANCHO PISTOLA HINCHADO	1			X		
20	EAH0049G13A	TIRE GUN TUBE	TUYAU AIR PISTOLET	TUBO AIRE PISTOLA	1			X		
21	1-12079A	FITTING - AIR 1/8 d.7	RACCORD AIR 1/8 d.7	CONEXIÓN 1/8 d.7	1			X		
22	1-11479A	FITTING - L 6X8 1/8	RACCORD EN L 6X8 1/8	CONEXIÓN EN L 6X8 1/8	1			X		
23	1-11779A	FITTING, STRAIGHT, M/F 1/4" L.36mm	RACCORD DROIT M/F 1/4" L36MM	CONEXIÓN DERECHO M/F 1/4" L.36MM	1			X		
24	1-11979A	FITTING L MF 1/8"	RACCORD	CONEXIÓN	1			X		
25	EAC0078G59A	BODY BLEEDER VALVE	VALVE-DEGONFLEUR	BLOQUE DESHINCHADOR	1			X		
26	1-10341	WASHER - d.14	RONDELLE d.14	ARANDELA PLANA D.14 GALVANIZ.	1			X		
27	1-11879A	COUPLING REDUCT. FF 1/4-1/8"	MANCHON REDUCT. FF 1/4-1/8"	CASQUILLO REDUCT. FF 1/4-1/8"	1			X		
28	1-26741A	WASHER, COPPER 1/8	RONDELLE EN CUIVRE 1/8	ARANDELA EN COBRE 1/8	1			X		
29	EAA0356G06A	PIPE, W. MANOMETER DAMPER	TUYAU AMORTISSEUR MANOMETRE	TUBO C.AMORTIGUADOR MANÓMETRO	1					X

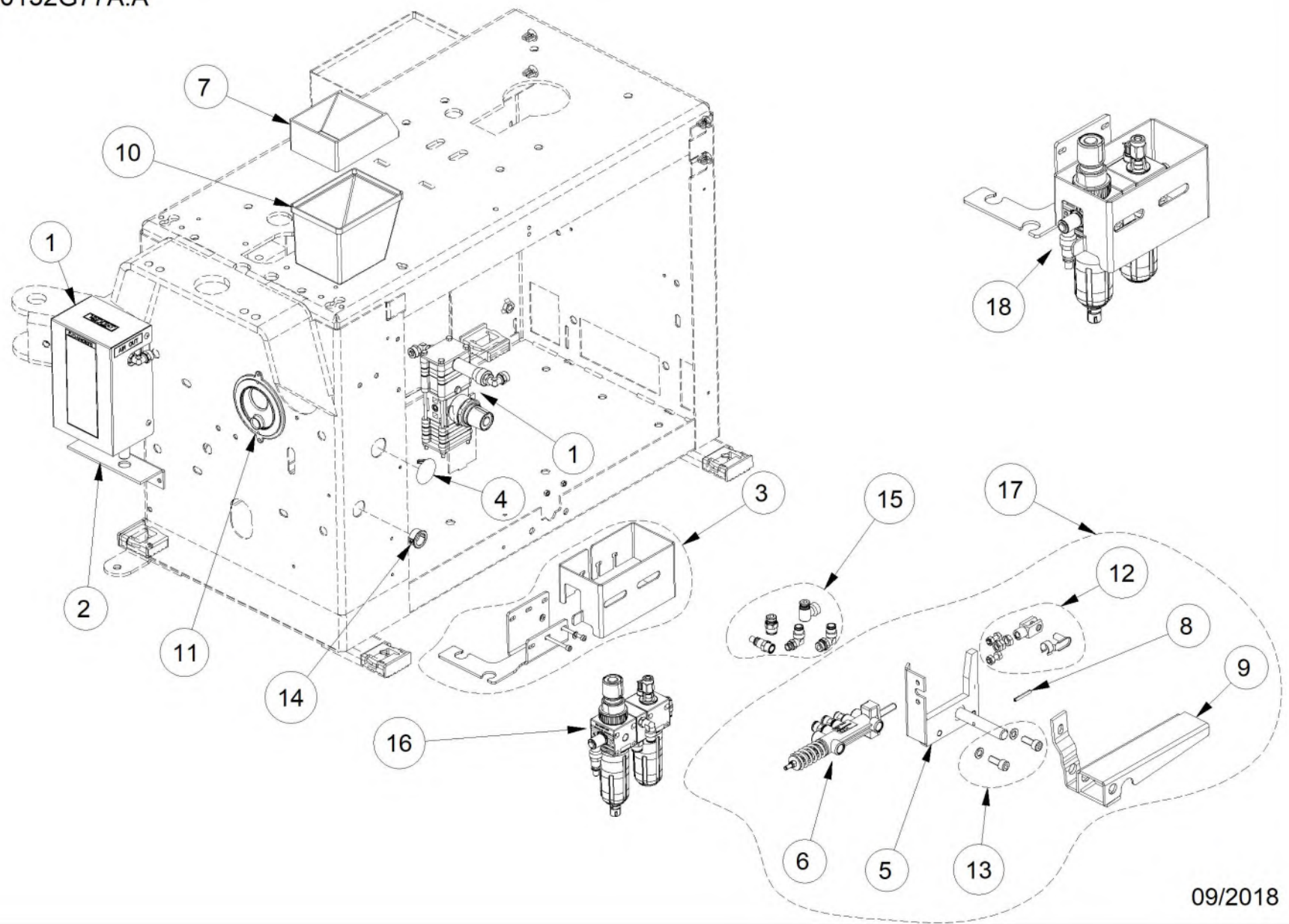
**A** = available - disponible - disponible

**B** = on request - sur demande - a petición

**C** = suggested - suggéré - sugerido



EAZ0132G77A.A



09/2018

Pos	Code	Designation	Désignation	Designación	N.	Note	Nota	A	B	C
1	EAA0350G78A	PRESSURE LIMITER VALVE	VANNE REDUCTEUR DE PRESSION	REGULATOR DE PRESION	1	external version		X		X
1	EAA0384G22A	VALVE, AIR CONTROL	CLAPET REDUCTEUR DE PRESSION	VÁLVULA LIMITADORA PRESIÓN	1			X		X
2	EAS2090G13A	BRACKET-VALVE, INFLATOR	SIEGE VANNE GONFLEUR	ESTRIBO VALVULA INFLADOR	1			X		
3	EAK0330G49A	NA LUB. FILTER FIXING KIT	KIT DE FIXATION FILTRE	KIT FIJACIÓN FILTRO	1				X	
4	1-08676A	CAP, CLOSING	COUVERCLE FERMETURE	TAPÓN DE CIERRE	1				X	
5	EAS2134G52A	GT PEDAL SUPPORT	SUPPORT PEDALE	SOPORTE PEDAL	1			X		
6	EAA0329G75A	VALVE, BEAD INFLATING	SOUPAPE CONTROLE GONFLE PNEU S/CHAM	VALVULA MANDO INFLACION NEUM.S/CAMA	1			X		X
7	1-31581A	PLUG-VALVE, HOUSING	BAC SOUPAPE	TAPA PORTAVÁLVULAS	2			X		
8	1-6652	PIN - STRAIGHT SLOTTED 4X30	BROCHE ELASTIQUE	PASADOR ELÁSTICA	1	4X30 DIN 1481		X		
9	EAS2068G87A	INFLATOR PEDAL CATAPHOR. BLK	PEDALE POMPE LAQUAGE HEPOXY NOIR	PEDAL HINCHADOR TUBEL.NEGRO	1			X		
10	8-03129A	BOX-GREASE	BAC GRAISSE	CONTENEDOR PARA GRASA	2			X		
11	EAC0100G22A	CABLE PROTECTION	PROTECTION CÂBLES	PROTECCIÓN CABLES	1				X	
12	EAK0306G32A	SCREWS AND BOLTS FOR GT VALVE	KIT VIS SOUPAPE GT	KIT TORNILLOS VÁLVULA GT	1			X		
13	EAK0306G33A	SCREWS AND BOLTS FOR GT PEDAL	KIT VIS PEDALE GT	KIT TORNILLOS PEDAL GT	1			X		
14	8-11616A	SNAP BUSHING Øe 22.2mm - Øi 17.5mm	DOUILLE Øe 22.2mm - Øi 17.5mm	CASQUILLO	1			X		
15	EAK0315G99A	FITTINGS KIT FOR FILTER	KIT RACCORDES POUR FILTRE	KIT RACORES PARA FILTRO	1			X		X
16	EAA0439G90A	FILTER-PRESS.RED.-LUBRIC.ASSY+AIR IN L	GROUPE FILTRE RED. + LUBRIF AIR GAUCHE	GRUPO FILTRO RED. + LUBRIC. AIRE IZQ.	1				X	

**A** = available - disponible - disponible

**B** = on request - sur demande - a petición

**C** = suggested - suggeré - sugerido

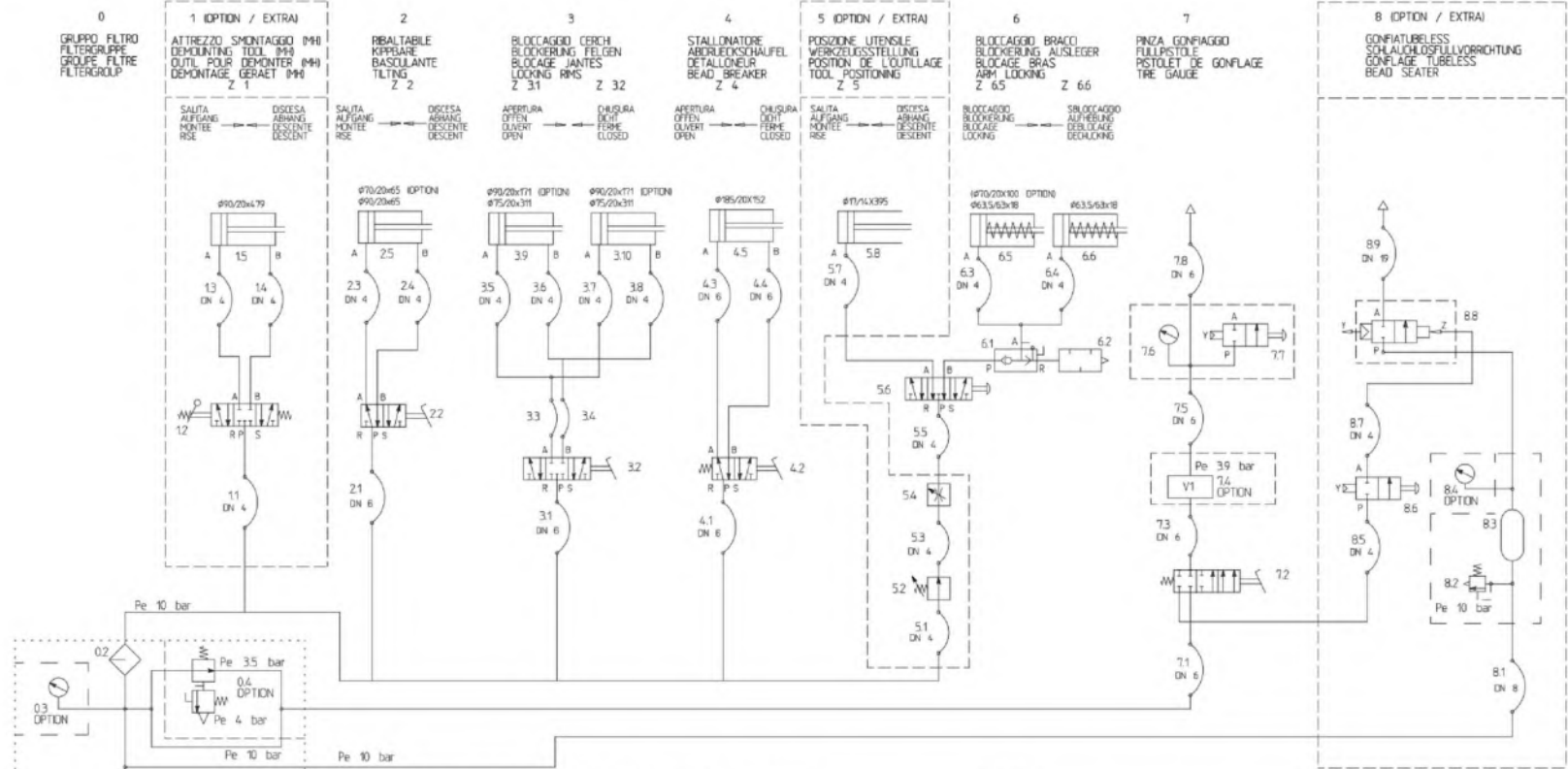
Pos	Code	Designation	Désignation	Designaciòn	N.	Note	Nota	A	B	C
17	EAA0384G14A	GROUP, BEAD INFLATING PEDAL	GROUPE PEDALE POMPE	GRUPO,PEDAL INFLADOR	1			X		X
18	EAA0489G30A	LUBRICATOR FILTER GROUP	GROUPE FILTRE LUBRIFICATEUR	GRUPO FILTRO LUBRIFICADOR NA	1				X	

**A** = available - disponible - disponible

**B** = on request - sur demande - a petición

**C** = suggested - suggeré - sugerido

REV	CHANGES - MODIFICHE	DATE	NAME



V1 VALVOLA LIMITATRICE E DI CONTROLLO DELLA PRESSIONE DI GONFIAGGIO.  
UTILIZZATA IN ASSENZA DELLA VALVOLA 04  
V1 INFLATING PRESSURE LIMITING AND REGISTER VALVE.  
USED ONLY IF VALVE 04 IS NOT INCLUDED

DEDENOMINAZIONE: SCHEMA PNEUMATICO SMONTAGOMME TILTING  
FAMIGLIA: 824  
COD. GS: 0036321

THE DATA, DRAWINGS, AND INFORMATION CONTAINED IN THIS DOCUMENT IS CONFIDENTIAL AND THE SOLE PROPERTY OF SNAP-ON, AND MAY NOT BE REPRODUCED, USED, OR DISCLOSED WITHOUT WRITTEN PERMISSION OF AN OFFICER OF SNAP-ON. COPYRIGHT 2010

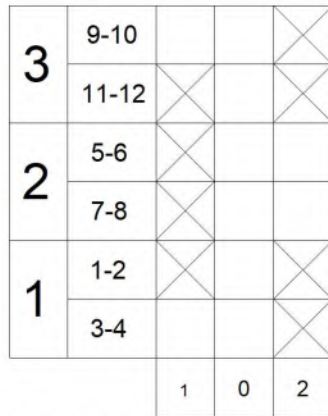
UNLESS OTHERWISE SPECIFIED DIMENSIONS ARE IN MILLIMETERS GENERAL TOLERANCES OVER 05 TO 60 ± 01 OVER 60 TO 30 ± 02 OVER 30 TO 120 ± 03 OVER 120 TO 1P ± 05 ANGULAR ± 1 HOLES ± 01 SHEET METAL ± 05 SURFACE: ISO 1302	MATERIAL	<b>Snap-on</b> CORREGGIO, ITALY PNEUMATIC DIAGRAM FOR TILT TIRE CHANGER RELEASE REV A
	FINISH	
	PROJ. NO.	
	DR	
CK 2010/02/25	M. MARIAN	APP
QUALITY DOC N/A	SUPERCEDES N/A	PROJ. TEEWH001T
		SHEET 1 OF 2

8.9	1	TUBO FLESSIBILE	SCHLAUCH	TUYAU FLEXIBLE	FLEXIBLE HOSE	MANULI
8.8	1	VALVOLA A COMANDO PNEUMATICO	VENTIL MIT PNEUM. STEUERUNG	VANNE A COMMANDE PNEUMATIQUE	VALVE WITH PNEUMATIC DRIVE	KPM / AUTEL
8.7	1	TUBO FLESSIBILE	SCHLAUCH	TUYAU FLEXIBLE	FLEXIBLE HOSE	MAZZER
8.6	1	VALVOLA A 2 VIE	ZWEISEITIGE VENTIL	VANNE A 2 VOIES	TWOWAY VALVE	Snap-on
8.5	1	TUBO FLESSIBILE	SCHLAUCH	TUYAU FLEXIBLE	FLEXIBLE HOSE	MAZZER
8.4	1	MANOMETRO	MANOMETER	MANOMETRE	MANOMETER	AIREX
8.3	1	SERBATOIO	TANK	RESERVOIR	TANK	Snap-on / FABBRI
8.2	1	VALVOLA DI SICUREZZA	SICHERHEITSVENTIL	VANNE DE SECURETE	SAFETY VALVE	STIMA
8.1	1	TUBO FLESSIBILE	SCHLAUCH	TUYAU FLEXIBLE	FLEXIBLE HOSE	MAZZER
7.8	1	TUBO FLESSIBILE	SCHLAUCH	TUYAU FLEXIBLE	FLEXIBLE HOSE	MANULI
7.7	1	VALVOLA A 2 VIE	ZWEISEITIGE VENTIL	VANNE A 2 VOIES	TWOWAY VALVE	Snap-on
7.6	1	MANOMETRO	MANOMETER	MANOMETRE	MANOMETER	WIKA
7.5	1	TUBO FLESSIBILE	SCHLAUCH	TUYAU FLEXIBLE	FLEXIBLE HOSE	MAZZER
7.4	1	AIR CONTROL	AIR CONTROL	AIR CONTROL	AIR CONTROL	Snap-on
7.3	1	TUBO FLESSIBILE	SCHLAUCH	TUYAU FLEXIBLE	FLEXIBLE HOSE	MAZZER
7.2	1	VALVOLA A 4 VIE	VIERSEITIGE VENTIL	VANNE A 4 VOIES	FOURWAY VALVE	Snap-on
7.1	1	TUBO FLESSIBILE	SCHLAUCH	TUYAU FLEXIBLE	FLEXIBLE HOSE	MAZZER
6.6	1	CILINDRO A SEMPLICE EFFETTO	EINFACH WIRKENDE ZYLINDER	VERIN A SIMPLE EFFET	SINGLE EFFECT CYLINDER	Snap-on
6.5	1	CILINDRO A SEMPLICE EFFETTO	EINFACH WIRKENDE ZYLINDER	VERIN A SIMPLE EFFET	SINGLE EFFECT CYLINDER	Snap-on
6.4	1	TUBO FLESSIBILE	SCHLAUCH	TUYAU FLEXIBLE	FLEXIBLE HOSE	MAZZER
6.3	1	TUBO FLESSIBILE	SCHLAUCH	TUYAU FLEXIBLE	FLEXIBLE HOSE	MAZZER
6.2	1	SILENZIATORE	SILENCER	SILENCIEUX	SCHALLDAMPFER	GENERAL CONTROL
6.1	1	VALVOLA DI SCARICO RAPIDO	RAPID EXHAUST VALVE	SOUPAPE D'ECHAPPEMENT RAPIDE	SCHNELLENTLUFTUNGS VENTIL	CAMOZZI
5.8	1	CILINDRO A SEMPLICE EFFETTO	EINFACH WIRKENDE ZYLINDER	VERIN A SIMPLE EFFET	SINGLE EFFECT CYLINDER	Snap-on
5.7	1	TUBO FLESSIBILE	SCHLAUCH	TUYAU FLEXIBLE	FLEXIBLE HOSE	MAZZER
5.6	1	VALVOLA A 5 VIE	FUNFSEITIGE VENTIL	VANNE A 5 VOIES	FIVEWAY VALVE	Snap-on
5.5	1	TUBO FLESSIBILE	SCHLAUCH	TUYAU FLEXIBLE	FLEXIBLE HOSE	MAZZER
5.4	1	VALVOLA REGOLATRICE DI PORTATA	GESCHALTETES STROMREGELVENTIL	REGULATEUR DE DEBIT	FLOW CONTROL VALVE	CAMOZZI
5.3	1	TUBO FLESSIBILE	SCHLAUCH	TUYAU FLEXIBLE	FLEXIBLE HOSE	MAZZER
5.2	1	RIDUTTORE	REDUKTOR	REDUCTEUR	REDUCER	STAMPOTECNICA
5.1	1	TUBO FLESSIBILE	SCHLAUCH	TUYAU FLEXIBLE	FLEXIBLE HOSE	MAZZER
4.5	1	CILINDRO A DOPPIO EFFETTO	DOPPELTWIRKENDER ZYLINDER	VERIN A DOUBLE EFFET	DOUBLE EFFECT CYLINDER	Snap-on
4.4	1	TUBO FLESSIBILE	SCHLAUCH	TUYAU FLEXIBLE	FLEXIBLE HOSE	MAZZER
4.3	1	TUBO FLESSIBILE	SCHLAUCH	TUYAU FLEXIBLE	FLEXIBLE HOSE	MAZZER
4.2	1	VALVOLA A 5 VIE	FUNFSEITIGE VENTIL	VANNE A 5 VOIES	FIVEWAY VALVE	Snap-on
4.1	1	TUBO FLESSIBILE	SCHLAUCH	TUYAU FLEXIBLE	FLEXIBLE HOSE	MAZZER
3.10	1	CILINDRO A DOPPIO EFFETTO	DOPPELTWIRKENDER ZYLINDER	VERIN A DOUBLE EFFET	DOUBLE EFFECT CYLINDER	Snap-on
3.9	1	CILINDRO A DOPPIO EFFETTO	DOPPELTWIRKENDER ZYLINDER	VERIN A DOUBLE EFFET	DOUBLE EFFECT CYLINDER	Snap-on
3.8	1	TUBO FLESSIBILE	SCHLAUCH	TUYAU FLEXIBLE	FLEXIBLE HOSE	MAZZER
3.7	1	TUBO FLESSIBILE	SCHLAUCH	TUYAU FLEXIBLE	FLEXIBLE HOSE	MAZZER
3.6	1	TUBO FLESSIBILE	SCHLAUCH	TUYAU FLEXIBLE	FLEXIBLE HOSE	MAZZER
3.5	1	TUBO FLESSIBILE	SCHLAUCH	TUYAU FLEXIBLE	FLEXIBLE HOSE	MAZZER
3.4	1	TUBO FLESSIBILE	SCHLAUCH	TUYAU FLEXIBLE	FLEXIBLE HOSE	MAZZER
3.3	1	TUBO FLESSIBILE	SCHLAUCH	TUYAU FLEXIBLE	FLEXIBLE HOSE	MAZZER
3.2	1	VALVOLA A 5 VIE	FUNFSEITIGE VENTIL	VANNE A 5 VOIES	FIVEWAY VALVE	Snap-on
3.1	1	TUBO FLESSIBILE	SCHLAUCH	TUYAU FLEXIBLE	FLEXIBLE HOSE	
2.5	1	CILINDRO A DOPPIO EFFETTO	DOPPELTWIRKENDER ZYLINDER	VERIN A DOUBLE EFFET	DOUBLE EFFECT CYLINDER	Snap-on
2.4	1	TUBO FLESSIBILE	SCHLAUCH	TUYAU FLEXIBLE	FLEXIBLE HOSE	MAZZER
2.3	1	TUBO FLESSIBILE	SCHLAUCH	TUYAU FLEXIBLE	FLEXIBLE HOSE	MAZZER
2.2	1	VALVOLA A 5 VIE	FUNFSEITIGE VENTIL	VANNE A 5 VOIES	FIVEWAY VALVE	Snap-on
2.1	1	TUBO FLESSIBILE	SCHLAUCH	TUYAU FLEXIBLE	FLEXIBLE HOSE	MAZZER
1.5	1	CILINDRO A DOPPIO EFFETTO	DOPPELTWIRKENDER ZYLINDER	VERIN A DOUBLE EFFET	DOUBLE EFFECT CYLINDER	Snap-on
1.4	1	TUBO FLESSIBILE	SCHLAUCH	TUYAU FLEXIBLE	FLEXIBLE HOSE	MAZZER
1.3	1	TUBO FLESSIBILE	SCHLAUCH	TUYAU FLEXIBLE	FLEXIBLE HOSE	MAZZER
1.2	1	VALVOLA A 5 VIE	FUNFSEITIGE VENTIL	VANNE A 5 VOIES	FIVEWAY VALVE	STAMPOTECNICA
1.1	1	TUBO FLESSIBILE	SCHLAUCH	TUYAU FLEXIBLE	FLEXIBLE HOSE	MAZZER
0.4	1	RIDUTTORE + VALVOLA DI SICUREZZA	REDUKTOR + SICHERHEITSVENTIL	REDUCTEUR + SOUPAPE DE SECURETE	REDUCER + SAFETY VALVE	STAMPOTECNICA
0.3	1	MANOMETRO	MANOMETER	MANOMETRE	MANOMETER	AIREX
0.2	1	LUBRIFICATORE	SCHMIERVORRICHTUNG	LUBRIFIANT	LUBRIFICATOR	STAMPOTECNICA
0.1	1	FILTRO + RIDUTTORE	FILTER + REDUKTOR	FILTRE + REDUCTEUR	FILTER + REDUCER	STAMPOTECNICA
N.	Q.TA' Stuck Q.TE' Q.TY	DENOMINAZIONE	BENENNUNG	DESCRIPTION	DESCRIPTION	PRODUTTORE HERSTELLER PRODUCTEUR PRODUCER

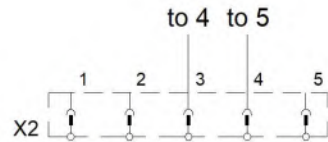
		PROJ NO. -	SCALE NO	<b>Snap-on</b>	Correggio (RE) - ITALY	
		DR MARIANI			Release	REV A
A	10G0060	DATE 2010/03/03		PNEUMATIC DIAGRAM FOR TILT T/CHANGER	TEEWH001	
REV	PCN HISTORY	QUALITY DOC -			SHEET 2 OF 2	
		SUPERCEDES -				



THE DATA, DRAWINGS, AND INFORMATION CONTAINED IN THIS DOCUMENT IS CONFIDENTIAL AND THE SOLE PROPERTY OF SNAP-ON, AND MAY NOT BE REPRODUCED, USED, OR DISCLOSED WITHOUT WRITTEN PERMISSION OF AN OFFICER OF SNAP-ON.		COPYRIGHT 1999	EEWH306AWD SHEET 1 OF 1
REV	CHANGES - MODIFICHE	DATE	NAME
E	Fixed motor wiring connections	2017.10.18	N. Castagnoli
D	Fixed switch connections	2012.03.30	N. Castagnoli
C	Added M.L. connector	2011.06.07	N. Castagnoli
B	Added Leeson diagram	2001-03-12	A. Pratzzoli

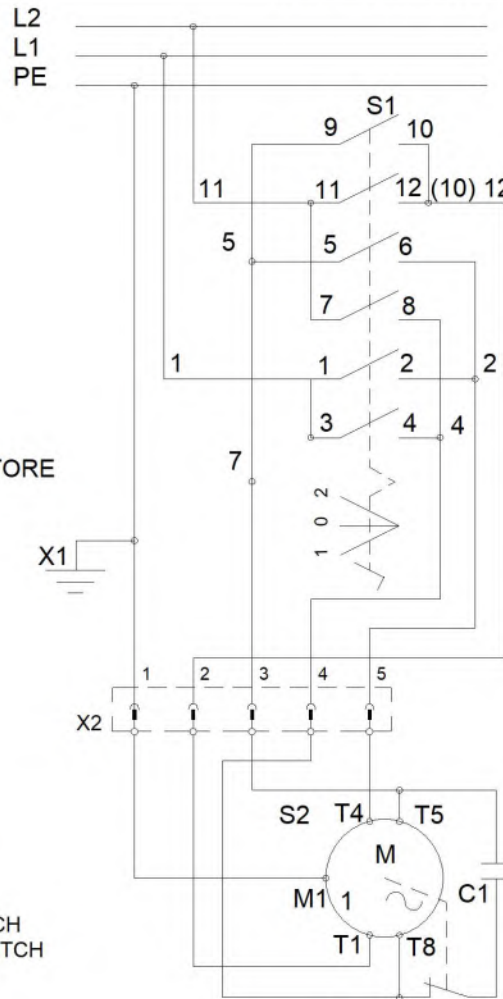


SCHEMA COLLEGAMENTO INVERTITORE  
INVERTER CONNECTION DIAGRAM



SCHEMA PEDALIERA SINISTRA  
LEFT PEDALSWITCH DIAGRAM

- C1 CONDENSATORE CAPACITOR
- S2 INT. CENTRIFUGO SPINNING SWITCH
- S1 INVERTITORE REVERSING SWITCH
- M1 MOTORE MOTOR
- X1 CARCASSA FRAME
- X2 CONNETTORE CONNECTOR



LEESON

DENOMINAZIONE: SCHEMA ELETTRICO MOTORE MONOFASE AMERICANO		FAMIGLIA: 824	COD. GS: 0014449
UNLESS OTHERWISE SPECIFIED DIMENSIONS ARE IN MILLIMETERS GENERAL TOLERANCES OVER 0.5 TO 6.0 ± 0.1 OVER 6.0 TO 30 ± 0.2 OVER 30 TO 120 ± 0.3 OVER 120 TO UP ± 0.5 ANGULAR ± 1° HOLES ± 0.1 SHEET METAL ± 0.5 SURFACE: ISO 1302		MATERIAL	<i>Snap-on</i>
E 17G0415		FINISH	CORREGGIO, ITALY
D 12G0130		PROJ NO 3400	ONE PHASE
C 11G0146		DR FUSARI 1999-05-13	AMERICAN MOTOR
B		CK	ELECTRIC DIAGRAM
A		A4 APP	RELEASE REV E
REV PCN HISTORY		DWG	EEWH306AWD
FIRST ANGLE PROJECTION		SUPERCEDES	SHEET 1 OF 1



**Notice:** The information contained in this document is subject to change without notice. **Snap-on Equipment** makes no warranty with regard to present documentation. **Snap-on Equipment** shall not be liable for errors contained herein or for incidental consequential damages in connection with furnishings, performance, or use of this material.

This document contains proprietary information which is protected by copyright and patents. All rights are reserved. No part of this document may be photocopied, reproduced, or translated without prior written consent of Snapon Equipment.

- Manufacturing Facilities -  
· **Snap-on Equipment SrL · Via Per Carpi 33 - 42015 Correggio RE - Italy ·**  
· **Snap-on Equipment · 309 Exchange Avenue Conway, Arkansas 72032 ·**  
- Technical alterations reserved - Refer to the data plates for effective manufacturing location -