

JohnBean

VPI SYSTEM I

WHEEL BALANCER



Parts Manual

TEEWB504D3

All information contained or disclosed in this document is considered confidential and proprietary by Snap-on Equipment. All manufacturing, use, reproduction, and sales rights are reserved by Snap-on Equipment and the information contained herein shall not be used in whole or in part without the express written consent of Snap-on Equipment.

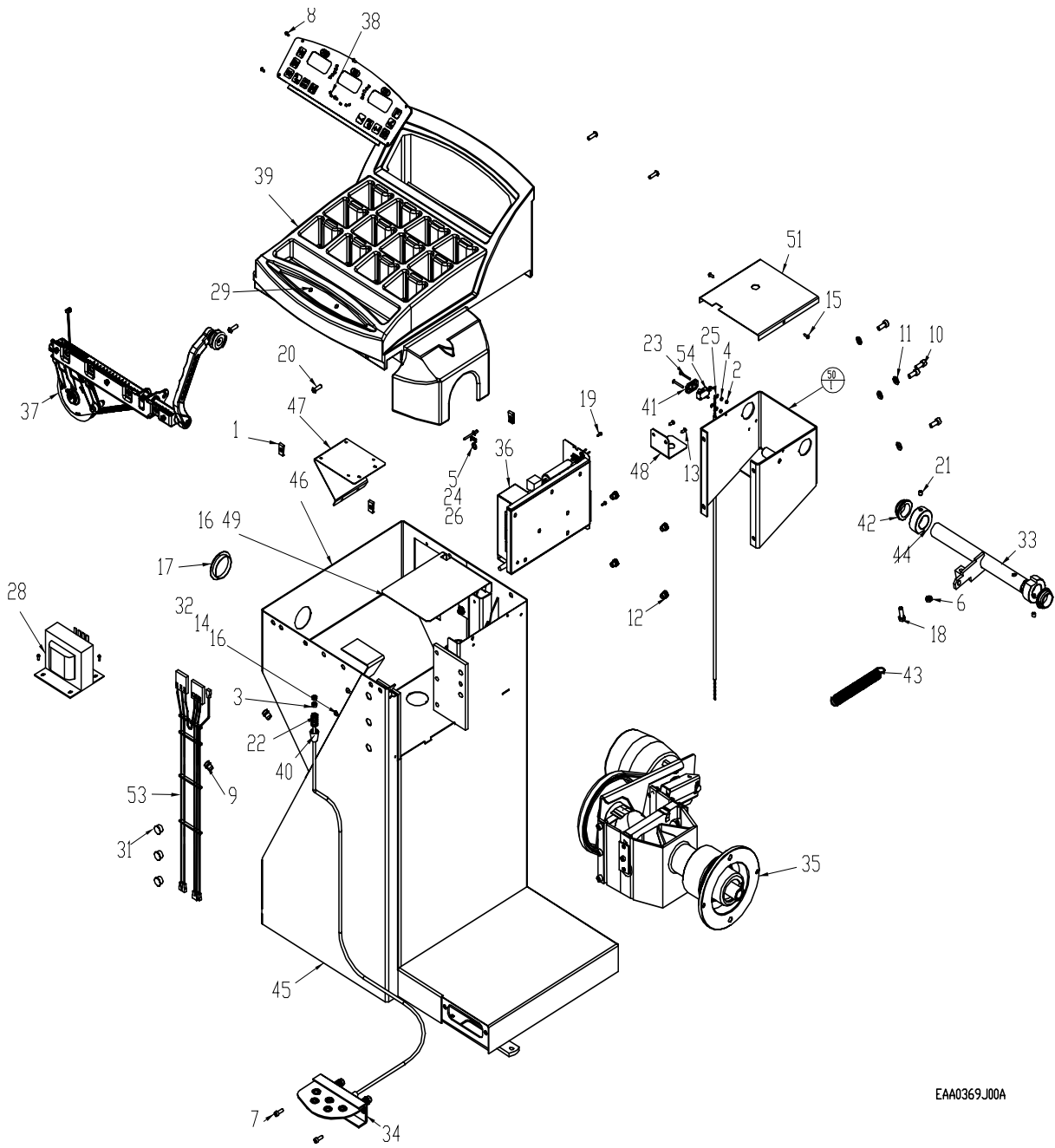
Table of Contents

BOM	3
BALANCER ASSEMBLY	4
UPPER DISPLAY	6
1D SAPE ASSEMBLY	7
VIBRATORY ASSEMBLY	8
CONES AND ACCESSORIES.....	9

BOM

REQD	PART NUMBER	DESCRIPTION
3	1-01215A	SCREW - LAG, 5/16 X 1 ½
2	1-04076A	PLUG - HOLE
1	1-1101	SCREW-HHCS 3/8 - 16 X 2
3	1-2541	WASHER, FLAT 5/16
1	1-8133	NUT-KEPS 3/8-16
4	2-3657	CABLE CLAMP (FLAT CABLE)
1	5403	CERTIFICATE-INSTALL REGISTRAT
1	60677	CHAIN - LAMINATED INSTRUCTION SHEET
1	60911	WASHER, RETAINING, FLAT
1	EAA0247G21A	CALIPER - RIM WIDTH
1	EAA0263G79A	QUICKNUTKIT-W/HANDLES & SHAFT
1	EAA0369J00A	BALANCER ASS'Y, JB VPI SYSTEM I
4	EAC0060G02A	FLANGE - COVER, ACCESSORY HOOK
1	EAL0307L00A	LABEL-UL
1	EAL0341J96A	LABEL – BALANCER WARING, REAR
1	EAL0341J97A	LABEL – BALANCER WARING, SIDE
1	EAL0420J10A	LABEL – JOHN BEAN, BAL
1	EAL0341J24A	HANG SHEET - INSTR SYS I
1	EAL0341J38A	LABEL-MAX, WHEEL DIA.
1	EAL0341J60A	LABEL - PATENT, WHEEL BALANCER
1	EAL0420J11A	DECAL - JB VPI SYSTEM I
1	EAL0343J76A	LABEL - ELEC/SERIAL
1	EAM0005D40A	CALIBRATION WEIGHT
4	EAM0006G01A	HOOK - ACCESSORY STORAGE
1	EAS2021J15A	WELDMENT - WHEELGUARD
1	EAX0039J00A	CORD - POWER, 115V
1	PAK306330	CARTON - SMALL ADP KIT
1	PAK321670	CARTON
1	PAK710800	SKID
1	ZEEWB504D9	LIT PACK, JB SYSTEM II BALANCER
1	EAL0392J89A	LABEL – CUST SERV JBC

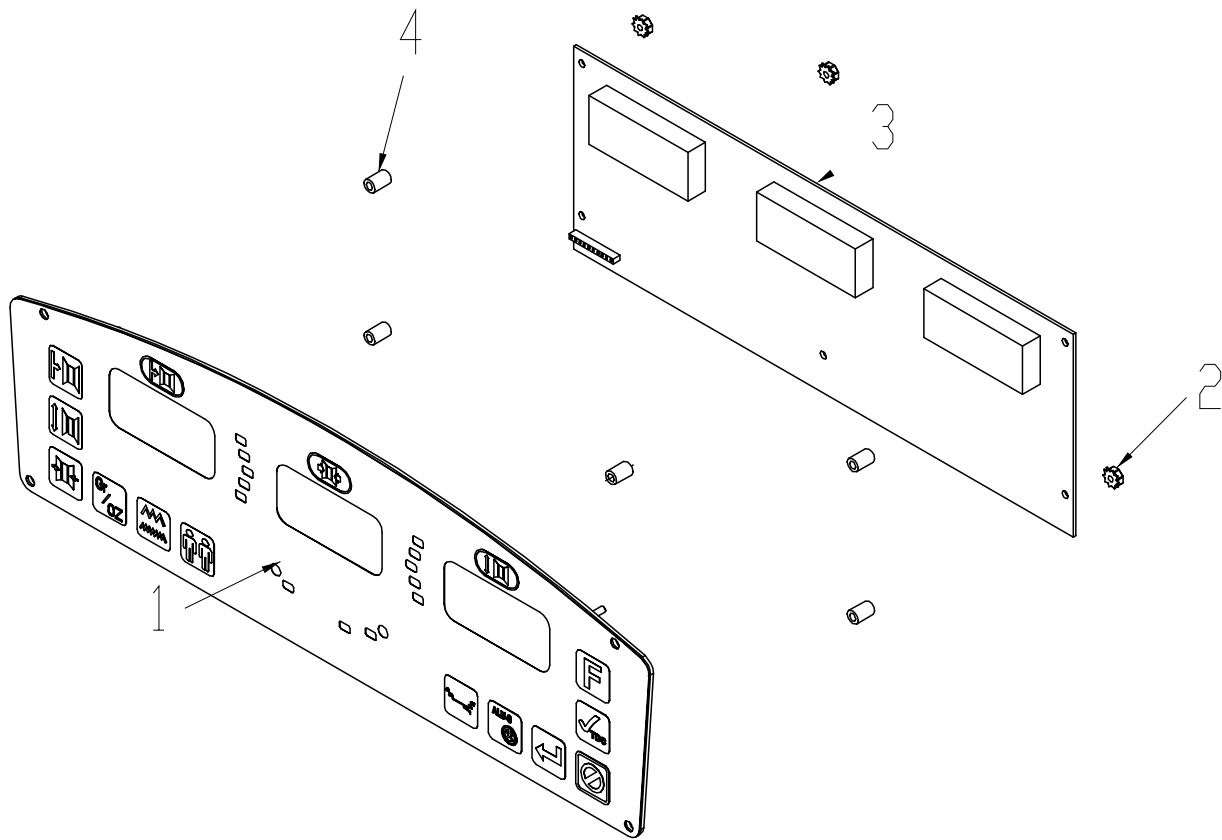
BALANCER ASSEMBLY
EAA0369J00A



EAA0369J00A

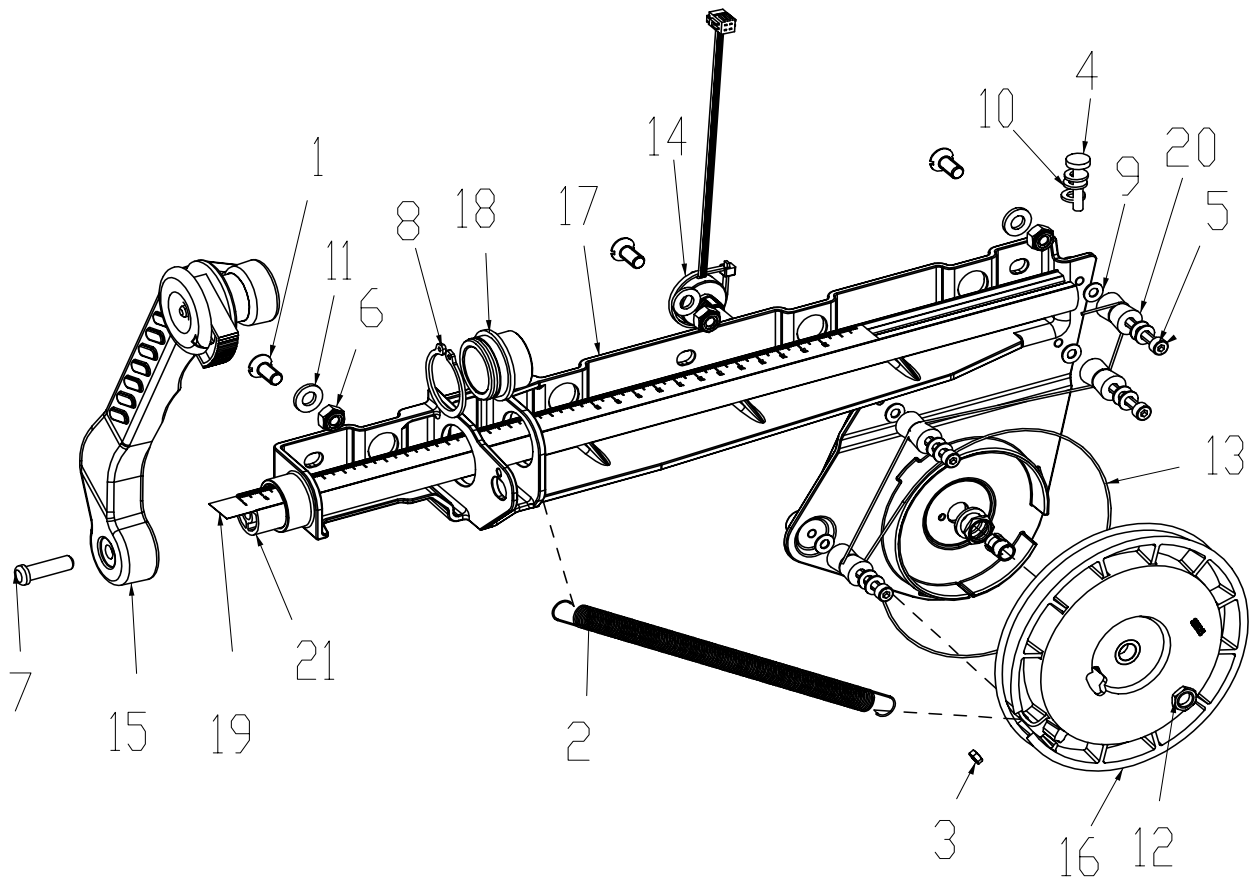
SYM	REQ	D	PART NO	DESCRIPTION
1	6		1-07439A	NUT - SPEED, "U" TYPE,
2	2		1-11233	NUT - HEX, M3 DIN 934
3	2		1-11633	NUT-M6 X 5,2MMTHK, BLK
4	2		1-1248	WASHER SHAKE PROOF, M3
5	1		1-1548	WASHER-EXT,SHAKEPROOF 6MM
6	1		1-15933A	NUT - HEX, M8 X 1.25 DIN 936, UNI5589
7	2		1-16309	SCREW - SHCS, M6 X 16MM,
8	4		1-17223A	SHEETMETAL SCREW PHIL HEAD
9	4		1-17659A	NUTSERT - M10
10	4		1-17709	SCREW - SHCS M8 X 20MM
11	4		1-17741	WASHER, 8MM DIN125A
12	4		1-18359A	NUTSERT, M8
13	2		1-18523A1	SELF TAPPING SCREW D4,8X13MM
14	4		1-20041A	WASHER - FLAT 18MM OD X 6.5MM ID X 1.5MM THK
15	2		1-20423	SCREW, SELF TAPPING M4.2 X 13MM
16	6		1-2509	SCREW-BHCS, 1/4 - 20 X 5/8
17	1		1-2676	PLUG-HOLE, 2"DIA
18	1		1-01515A	SCREW - HHMS 8M -1.25 X 50MM
19	10		1-3724	SCREW-SELF TAP,5 X 10MM
20	4		1-44009A	SCREW-BHCS, 1/4-20 X 7/8
21	2		1-47810	SCREW, SET, FLT PT M8 - 1.25 X 8MM
22	1		1-6668	COMPRESSION SPRING
23	2		1-7104	SCREW - PAN HS, M3 X 30
24	1		1-7558	POP RIVET-3/16"
25	2		1-9541	WASHER-FLAT,M3 DIN 125A
26	1		2-23201	TERMINAL LUG-6.3MM X .8MM POP RIVET
27	2		2-3657	CABLE CLAMP- FLAT CABLE
28	1		7-16201A	TRANSFORMER- 500VA AUTOMATIC
29	2		8-02340A	CLIP KEYHOLE NYLON
30	1		8-09619A	STRAIN RELIEF - FLAT CABLE
31	3		8-7216	PLUG-HOLE, 16MM DIA
32	4		01101609000	NUT-STOP 1/4-20 UNC-2B CAD
33	1		EAA0255J29A	WHEELGUARD TUBE- M CABINET ASSY
34	1		EAA0263G07A	ASSY-BRAKE PEDAL
35	1		EAA0338G36A	VIBR. MOT. UL IF40/28.5
36	1		EAA0338G83B	ASSY - IBP DIGITAL BOX
37	1		EAA0346J28A	ASSY - SAPE JB VPI 1D, S1
38	1		EAA0346J94A	ASSY - DISPLAY JB VPI SYS I
39	1		EAC0053J00A	WEIGHT TRAY- SNAP-ON HANDSPIN
40	1		EAC0053J15A	BRAKE SPACER
41	1		EAC0053J16A	MICROSWITCH PLATE
42	2		EAC0060G03A	BUSHING, WHEELGUARD
43	1		EAM0003J18A	SPRING-EXTENTION WHEELGUARD (REMOVED IN SYSTEMS PRODUCED AFTER 2011)
44	2		EAM0006G02A	WHEELGUARD TUBE RING
45	1		EAS2113J00A	CABINET - S2 US, RED RAL 3000
46	1		EAS2113J11A	COVER - REAR, S2 CABINET
47	1		EAS2118J60A	PLATE-TRANSFORMER, S2 CABINET
48	1		EAS2113J77A	BRACKET - CAL WEIGHT
49	1		EAS2113J78A	SHIELD - FIRE
50	1		EAS2118J74A	SUPPORT - WHEELGUARD, SYSTEM I
51	1		EAS2118J76A	PLATE- WHEELGUARD COVER
52	1		EAW0233J01A	HARNESS - DISPLAY PCB
53	1		EAW0233J07A	HARNESS-WIRING, TRANSFORMER
54	1		EAW0233J08A	CABLE-SWITCH ASSY

UPPER DISPLAY
EAA0346J94A



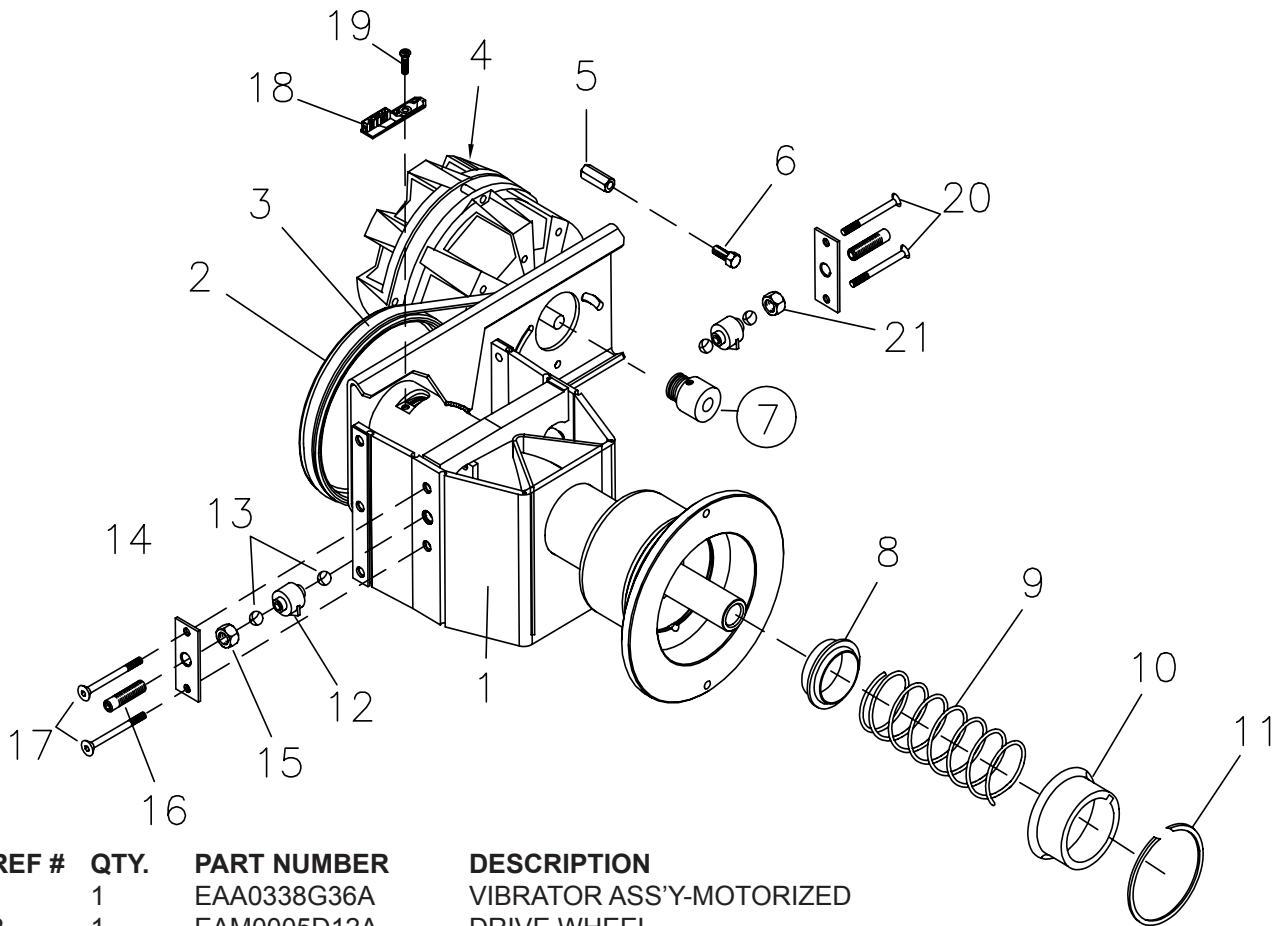
SYM	REQD	PART NO	DESCRIPTION
1	1	EAA0346J96A	DISPLAY- MEMBRANE SYSTEM I
2	5	1-15033	NUT-KEPS, M3 - .5
3	1	EAP0192P80A	PCB ASS'Y-DISPLAY, JB VPI SYS III
4	5	1-11062A	SPACER- 1/4" X 3/8"

1D SAPE ASSEMBLY
EAA0346J28A



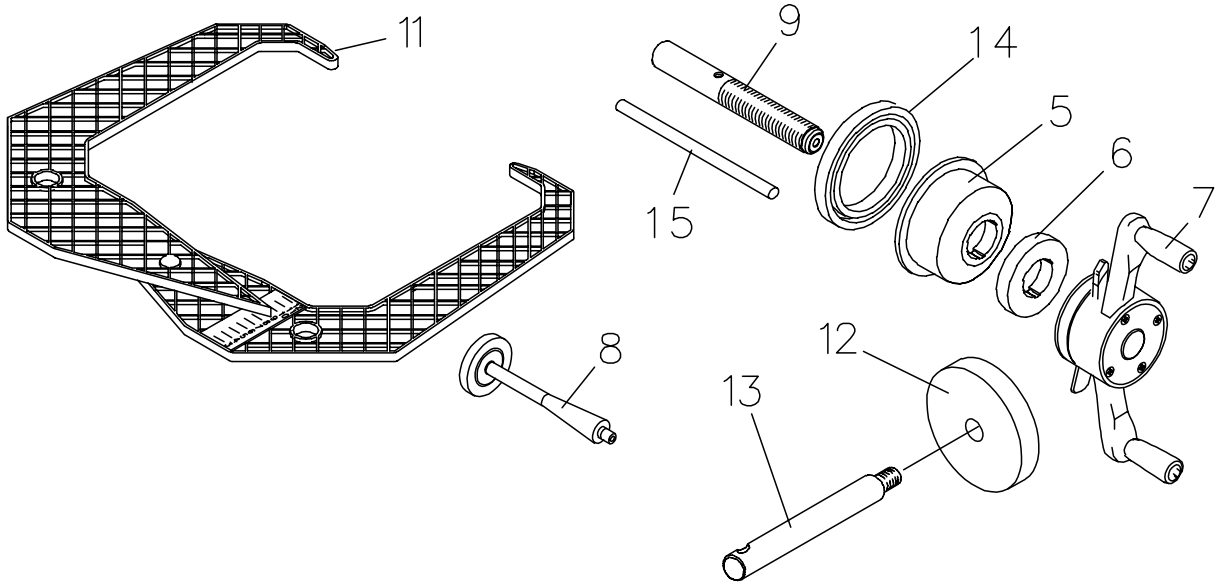
SYM	QTY	PART NO	DESCRIPTION
1	3	1-03405A	MSCR, OVAL HD M 6 X 14MM
2	1	1-06567A	STAND SAPE TENSION SPRING
3	1	1-11233	NUT - HEX, M3 DIN 934
4	1	1-13609	SCREW-HHCS,M4-16 X 8.8
5	4	1-13909	SCR - HEX SKT HD CAP (M4 X 30MM)DIN912
6	3	1-16633A	NUT,SELF LOCK. ALL-METAL M6 A2J
7	1	1-3824	SCREW-SELF TAP,6 X 12MM
8	1	1-4777	RETAINING RING FOR SHAFT UNI7435
9	12	1-9641	PLAIN WASHER D4MM
10	3	1-9741	WASHER-FLAT, M5 X 10.0OD X 1MM THK
11	3	1-9841	WASHER PLAIN, 6MM
12	1	2-07657A	CLAMPING DEVICE W/NUT
13	1	6-00504A	ROPE HEMINGWAY
14	1	EAA0266D20A	ROTATIVE TRANSDUCER 100HM
15	1	EAA0346J26A	ASSY - SAPE ARM W/ EJECTOR
16	1	EAC0058D06A	RIEMENHALTEROLLE MIT EINLEGETEIL
17	1	EAC0087G59A	STAND. S1 SAPE SUPPORT
18	1	EAC0087G70A	STANDARD. S1 SAPE BUSHING
19	1	EAL0349G31A	DISTANCE SCALE
20	4	EAM0005D35A	REEL-GUIDING,SAPE
21	1	EAM0053G16A	STANDARD. ROD SAPE, S1

VIBRATORY ASSEMBLY



REF #	QTY.	PART NUMBER	DESCRIPTION
1	1	EAA0338G36A	VIBRATOR ASS'Y-MOTORIZED
2	1	EAM0005D12A	DRIVE WHEEL
3	1	8-3531	MULTIRIB BELT 5 PJ 711 DIN 7867
4	1	EAA0266D29A	MOTOR, AC 120W 1 PH 220-240V - 50/60 HZ
5	2	EAM0005D09A	MOTOR DISTANCE BOLT
6	1	1-30701	SCREW HEX HD M 6 X 12
7	1	EAM0005D08A	MOTOR PULLEY
8	1	EAC0058D03A	SPRING CENTERING RING
9	1	1-6498	SPRING - COMPRESSION 5 X 63 X 120
10	1	EAS2025D14A	SPRING CASE DEEP DRAW
11	1	1-13077	SNAP RING
12	1	EAA0260D59A	TRANSDUCER
13	4	8-1144	BALL, STEEL
14	2	1-2967	PRETENSION SPRING
15	1	1-11833	NUT-HEX M 10 X 1 DIN 934
16	2	EAM0005D07A	SETSCREW - HEX SOCKET M 10 X 1
17	2	1-19903A	SCREW HEX SOCKET / COUNTERSUNK M 4 X 65
18	1	EAA0344G00A	ENCODER PCB
19	1	1-13004	SCREW PHILLIP PAN HD M 4 X 6
20	2	1-17403	SCREW HEX SOCKET / COUNTERSUNK M 4 X 25
21	1	1-4034	NUT - HEX M 10 X 1 DIN 439
*	1	EAW0239D00A	RIBBON CABLE VIBRATORY
**	1	EAA0260D56A	BRAKE LEVER A CPL.
**	1	EAA0260D57A	BRAKE LEVER B CPL.

CONES AND ACCESSORIES



ITEM	QTY	PART NUMBER	DESCRIPTION
5	1	EAC0058D07A	CUP - PRESSURE
6	1	EAC0058D08A	DISK - PRESSURE
7	1	EAA0263G66A	QUICK NUT
8	1	EAM0005D40A	WEIGHT - CALIBRATION
9	1	EAM0021D90A	40 MM STUB SHAFT
11	1	EAA0247G21A	CALIPER - RIM WIDTH
12	4	EAC0060G02A	FLANGE - COVER, HOOK
13	4	EAM0006G01A	HOOK - STORAGE
14	1	EAC9958D15A	RUBBER PROTECTOR

4 CONE KIT

EAM0003J08A	CONE, 89-132 MM (3.50 - 5.20 INCHES)
EAM0003J07A	CONE, 71 - 99 MM (3.23 - 3.90 INCHES)
EAM0003J06A	CONE, 56 - 84 MM (2.67 - 3.35 INCHES)
EAM0003J05A	CONE, 43 -63 MM (1.66 - 2.50 INCHES)

7 CONE KIT

EAM0003J64A	CONE - #1, MACHINED (1.70 - 2.23)
EAM0003J65A	CONE - #2, MACHINED (2.30 -
EAM0003J66A	CONE - #3, MACHINED (2.37 -
EAM0003J67A	CONE - #4, MACHINED (2.73
EAM0003J68A	CONE - #5, MACHINED (3.07
EAM0003J69A	CONE - #6, MACHINED (3.42
EAM0003J70A	CONE - #7, MACHINED (4.210

JohnBean™

John Bean Equipment
309 Exchange Ave.
Conway, AR 72032
501-450-1500

Notice: The information contained in this document is subject to change without notice. Snacon makes no warranty with regard to this material. Snacon shall not be liable for errors contained herein or for incidental consequential damages in connection with furnishings, performance, or use of this material.

This document contains proprietary information which is protected by copyright and patents. All rights are reserved. No part of this document may be photocopied, reproduced, or translated without prior written consent of Snacon.