

WHEEL ALIGNER



Parts Manual

TEEWA553MB3

All information contained or disclosed in this document is considered confidential and proprietary by Snap-on. All manufacturing, use, reproduction, and sales rights are reserved by Snap-on and the information contained herein shall not be used in whole or in part without the express written consent of Snap-on.

Table of Contents

EEWA553MB1 - MB ALIGNER	2
CABINET-COMplete MB	3
CABINET (MB)	4
POWER BOX	6
KIT USB RADIO	8
CAM/CAM ASSEMBLY	9
CAM/TARGET ASSEMBLY	9
CAMERA PODS (CAM/CAM)	10
CAMERA PODS (CAM/TAR)	12
POD CAR	14
MOTOR / GEAR ASSEMBLY	15
BASE TOWER	16
ELECTRICAL MOUNT PLATE ASSY	17
BASE TOWER ASSY	18
WHEEL CLAMP	20
AC700 WHEEL CLAMP - XD TARGET, FRONT	22
AC700 WHEEL CLAMP - XD TARGET, REAR	23

NOTE:

Items Marked in **RED** are used in Europe

Items marked in **BLUE** are used in North America

All items marked in **BLACK** are common parts

EEWA553MB1 - MB ALIGNER John Bean

EEWA753MB1 - MB ALIGNER Hofmann

REQ	PART NUMBER	DESCRIPTION
1	EAK0268J05A	PRINTER KIT - USB
1	88931	POWER CORD / LABEL ASM
1	EAK0277J82A	LITERATURE PACK GENERIC
1	EAL0343J76A	LABEL - SERIAL
1	96	DEPRESSOR ASSY. PEDAL
1	55502	STEERING WHEEL HOLDER
1	EAK0320J70A	KIT – MONITOR 27” LCD W/ CABLE
1	EAK0320J56A	HANGER BRACKETS-MULTI CLAMP
2	EAC0090J82A	WHEEL CHOCK RUBBER
1	5403	INSTALLATION REGISTRATION CERTIFICATE
1	EAK0289J23A	KIT REMOTE CONTROL
1	EAS2164V11A	SUPPORT BRACKET MONITOR
8	1-16006A	SCREW - M5 X 12 MM PH BLK
4	1103959000	WASHER - FLAT M5
1	EAK0334J17A	KIT, V3400MB DECALS
1	EAK0334J18A	KIT, GEOLINER 790MB DECALS
1	TEEWA553MB0	INSTALLATION INSTRUCTIONS
1	ZEEWA550AMB	OPERATOR'S MANUAL
1	EAK0320J60A	KIT-AC700 FT, XD 6X8, NA
	EAK0320J73A	KIT-AC700, FT XD 6X8, EU
1	EAK0320J61A	KIT-AC700 RR, XD 6X8, NA
	EAK0320J74A	KIT-AC700, RR XD 6X8, EU
1	EAA0429J75A	CABINET-COMPLETE MB
1	EAA0429J75B	CABINET-COMPLETE MB, EU
1	EAA0381J52C	V3400 OEM TOP LEVEL ASM.
	EAA0381J81C	V3400 OEM TOP LEVEL ASM
1	EAK0256J71A	RIDE HEIGHT MEASUREING KIT
1	ZEEWH612A1	INST'R – EQUIPMENT DISPOSAL
5	5-2345	CABLE TIE
5	5-06945A	MOUNT, CABLE TIE
1	88690	CONTROL – REMOTE, JBC ASSY
2	EAK0277J26A	SHIM KIT – 1,0 MM
1	EAK0305J42A	KIT, TURNTABLE, MB
1	AWM6D	HEX WRENCH, 6MM L-SHAPE

TEEWA553MB3 - SPARE PARTS

CABINET-COMPLETE MB

EAA0429J75A - NA

EAA0429J75B - EU

REQ	PART NUMBER	DESCRIPTION
1	EAA0422V01A	CABINET,HE MB GRAY
1	EAA0429J76A	EMBED PC, PRO42, MB - NA
1	EAA0429J76B	EMBED PC, PRO42, MB - EU
1	5-11026A	NYLON STRAP
1	1-21484A	SCREW, 10-32X1/8", SLOTTED GREEN GROUND
1	EAW0235J36A	CABLE, 12" GROUND
1	1-13633A	NUT, BARB, EXT. WASHER, M5
1	EAP0238J54A	PCB ASSY., USB, IR
2	1-04084A	STANDOFF – NYLON
2	1-13533A	NUT – BARB, M4
1	EAL0343J22A	WINDOW-REMOTE
1	8-08116A	BUSHING-SNAP 16/16ID,29/64LG
1	EAK0305J36A	KIT – USB RADIO - CAB
1	2-02639A	BLUETOOTH RADIO – USB
5	2-09033A	CLIP, CABLE, 0.2-0.3" DIA CABLE
1	111243	LABEL-WARNING,EXPLOSION
1	EAL0392J18A	LABEL-PATENT ALIGNMENT
1	2-05039A	POWER DISTRIBUTION UNIT, IEC C14 4 OUTLETS
2	EAW0290J28A	POWER CORD, IEC C14, 20FT
1	88635	ADAPTOR, POWER, C14 1FT
5"	5-10426A1	VELCRO, HOOK SIDE
5"	5-10426A2	VELCRO, LOOP
1	2-09457	CABLE CLAMP
1	1-03382A	CABLE CLAMP, 1/2
1	1-16006A	SCREW, M5X12MM
2	5-03945B	CABLE TIE MOUNT, 1"X1", BLACK
2	4500-0029	CABLE TIE, BLACK

TEEMVA53MB3 - SPARE PARTS

CABINET (MB)

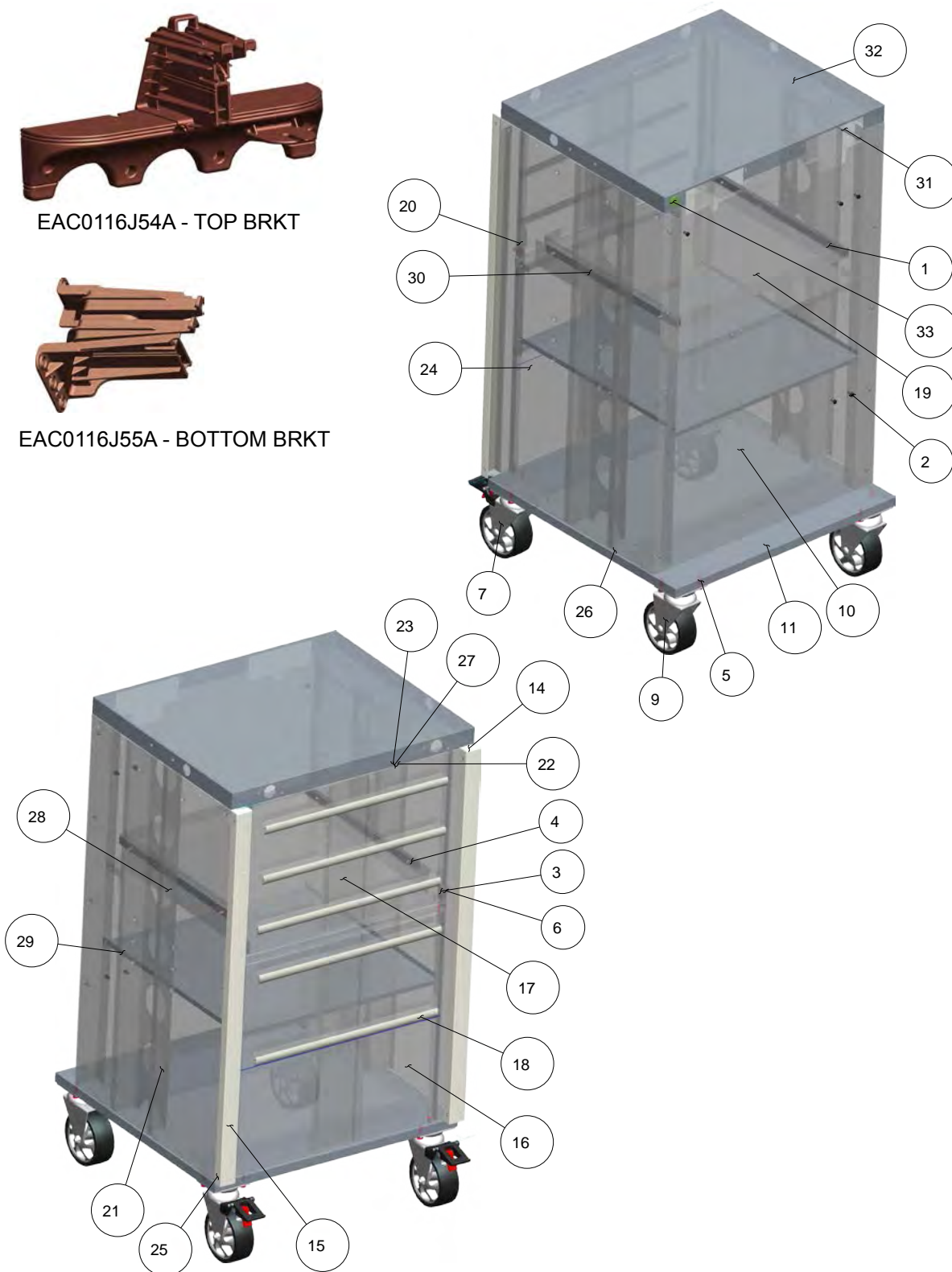
EAA0422V01A - GRAY



EAC0116J54A - TOP BRKT



EAC0116J55A - BOTTOM BRKT



TEEWA553MB3 - SPARE PARTS

SYM	REQ	PART NO	DESCRIPTION
1	4	1-13606A	SCREW,PH,M4X6MM,ZN
2	5	1-16006A	SCREW,PH,M5X12MM,BLK
3	4	1-25306A	SCREW,PHMS,M5X20MM
4	4	1-38909A	SCREW,BHCS,M4X12MM
5	8	1-55501A	SCREW, HEX 5/16"-12X1"
6	4	1-5665	BUSHING - SHOULDER
7	2	8-33939A	CASTER-SWIVEL, 5" WITH BRAKE
9	2	8-33939B	CASTER-SWIVEL, 5" W/O BRAKE
10	1	EAA0416V07B	BACK PLATE ASSY,STD ME-HE
11	1	EAA0416V23B	BASE ASSY,ME-HE,EXTENDED
12	4	5-03945B	CABLE TIE MOUNT,1"X1",BLACK
13	4	4500-0029	CABLE TIE,BLACK
14	2	EAC0116J56A	CAP,CORNER TRIM
15	2	EAC0121V06A	CORNER TRIM,ARC SHAPE
16	1	EAA0422V05A	DOOR ASSY,PC,GRAY RAL7015
17	1	EAA0422V04A	DOOR ASSY,PRINTER,GRAY RAL7015
18	5	EAC0121V05A	DOOR TRIM, FRONT
19	1	EAA0416V14A	DRAWER ASSY,PRINTER
20	2	EAC0121V09A	INSERT,PRINTER DOOR
21	1	EAA0422V02A	LEFT PANEL ASSY,GRAY RAL7015
22	4	8-04842A	MAGNET,NDFEB,NI PLATED
23	4	1-11233	NUT,HEX,M3
24	1	EAA0422V03A	RIGHT PANEL ASSY,GRAY RAL7015
25	8	1-17358	RIVET,AL,4MM,SILVER
26	62	1-15158A	RIVET,STEEL,4.8MM,BLK
27	4	1-11103CN	SCREW,FH,M3X10MM
28	1	EAA0422V06A	SHELF ASSY,PRINTER,GRAY RAL7015
29	1	EAS2164V16A	SHELF,PC,ME-HE-SHE
30	1	8-06488A	SLIDE TRAIL
31	2	EAS2164V07A	SUPPORT BRACKET,PC-IN-BOX
32	1	EAA0416V01A	TOP PANEL ASSY,ME-HE
33	1	8-09816A	GROMMET-BLACK.25 ID X 1.00 OD

EAK0320J56A - HANGER BRACKETS - MULTI CLAMP

REQ	PART NUMBER	DESCRIPTION
2	EAC0116J54A	CLAMP HOLDER, UPPER
2	EAC0116J55A	CLAMP HOLDER, LOWER
24	1-39506A	SCREW – PHMS, M8 X 1.25MM X 16MM
1	TEAK0320J56A	INSTALLATION INSTRUCTIONS

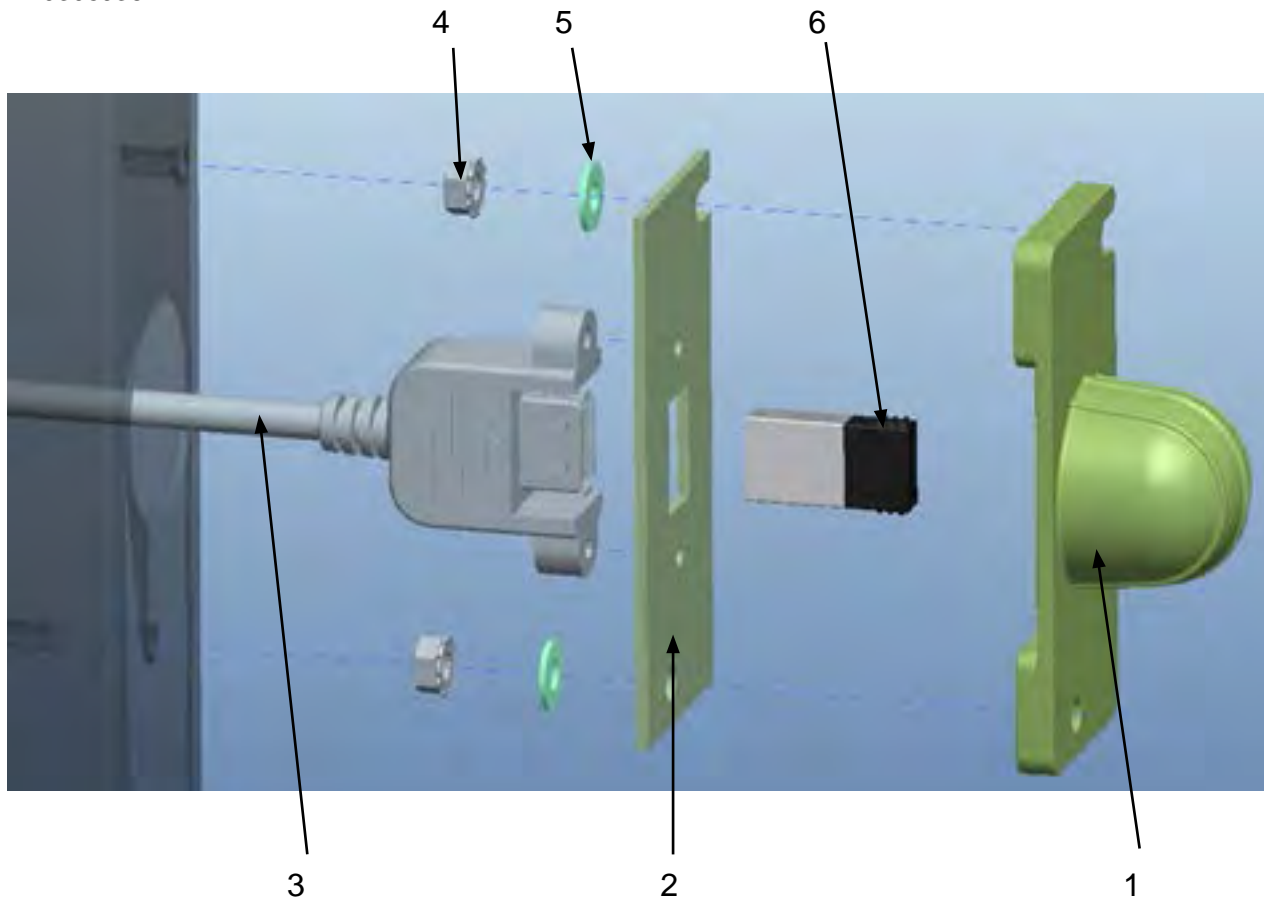
TEEMAS3MB3 - SPARE PARTS

SYM	REQD	PART NO	DESCRIPTION
1	1	86465	LABEL-WARNING,SHOCK HAZARD
2	1	111245	LABEL-CAUTION,ELECTRICAL
3	2	1-2376	HOLE PLUG
4	3	1-3347	LOCKWASHER,INTERNAL TOOTH
5	2	1-18206	SCREW M3X12,PAN HD,BLK
6	2	1-15033	BARB NUT M3
7	4	1-14388A	STAND OFF,M3X10MM
8	2	1-13633A	BARB NUT M5
9	3	1-27406A	SCREW - PHM, M3 X 10MM
10	1	2-14258A	SWITCH, PC IN BOX
11	2	2-31001A	TERMINAL -QUICK CONNECT
12	1	2-64448A	IEC 320-C14 AC RECEPTACLE
13	1	2-73166A	ADAPTOR, 12V
14	1	2-73466A	RESET SWITCH
15	2	8-23762A	LABEL-EARTH SYMBOL
16	1	EAA0261P60B	IEC OUTLET
17	1	8-20263A	SOFTWARE-WES7,E EDITION
18	1	EAL0415J15A	LABEL-ELECTRICAL RATING
19	1	EAL0415J44A	DECAL,ON OFF SWITCH
20	1	EAS2105J96B	COVER - OUTLET
21	1	EAW0235J74A	CORD - POWER,PC IN BOX
22	1	EAW0243P22B	LINK WIRE,BROWN
23	1	EAW0243P23B	LINK WIRE,BLUE
24	1	EAW0243P25B	LINK WIRE,GRN/YEL
25	4	5-2345	CABLE TIE
26	1	EAA0416V05A	MAIN CASE ASSY PC-IN-BOX
27	1	2-81566A	MOTHER BOARD WITH POWER CABLE
28	4	5-06945A	MOUNT,CABLE TIE
29	1	2-81666A	MSATA SSD, 128GB
30	1	2-81466A	RAM,4GB
31	1	1-32606A	SCREW, PAN HEAD, M2X4MM
32	1	6-13122A	USB CONNECTOR 4 PORTS
33	2	5-14526A	VELCRO HOOK,LAPTOP ADAPTOR HOLDER
34	2	5-14426A	VELCRO LOOP,LAPTOP ADAPTOR HOLDER
35	4	1-11004A	SCREW - PHM, M3 X 6MM
36	1	5-11740B	EMI GROUNDING TAPE,LENGTH 75MM
NS	1	2-66466A1	FERRITE, TOROID EU

TEEMVA53MB3 - SPARE PARTS

KIT USB RADIO

EAK0305J36A

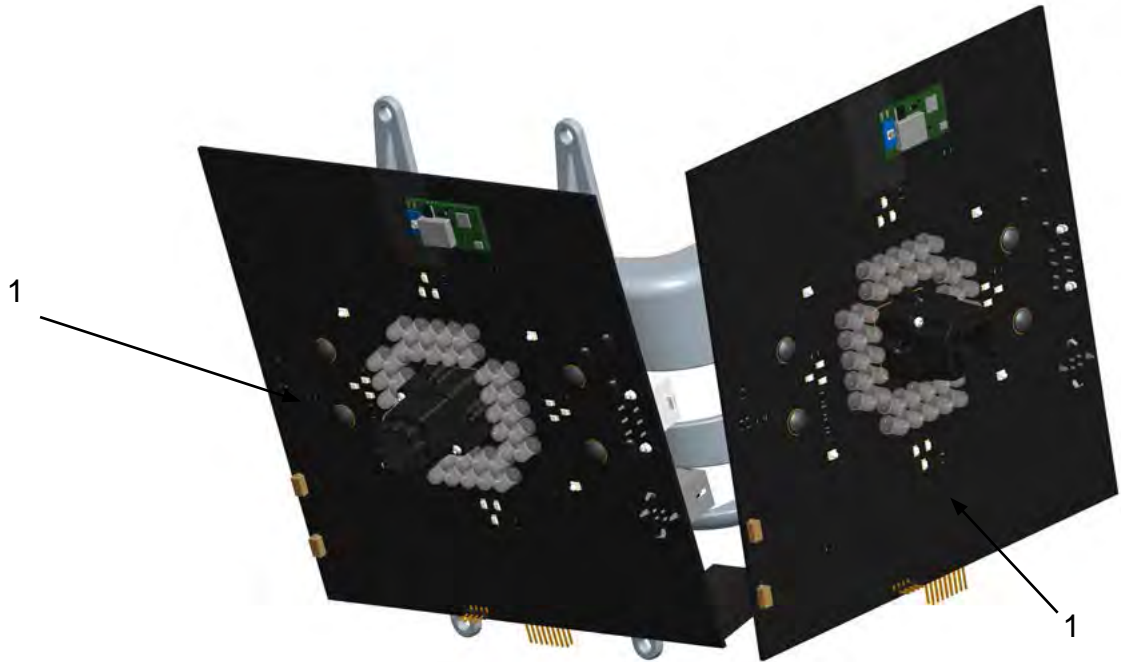


REQ	ITEM	PART NUMBER	DESCRIPTION
1	1	EAC0105J44A	COVER - USB RADIO, PRISM CAB
1	2	EAS2119J47A	BRACKET - USB RADIO, SUPPORT
1	3	EAW0235J91A	CABLE ASM - USB RADIO (39.4" - 1M)
2	4	1-18061A	NUT - ESNA, M4 X 20MM
2	5	1122107	WASHER - FLAT, M4
1	6*	2-02639A	USB RADIO
1	6*	2-03039A	USB RADIO (TELEC APPROVED FOR JAPAN)

* NOT CONTAINED IN KIT

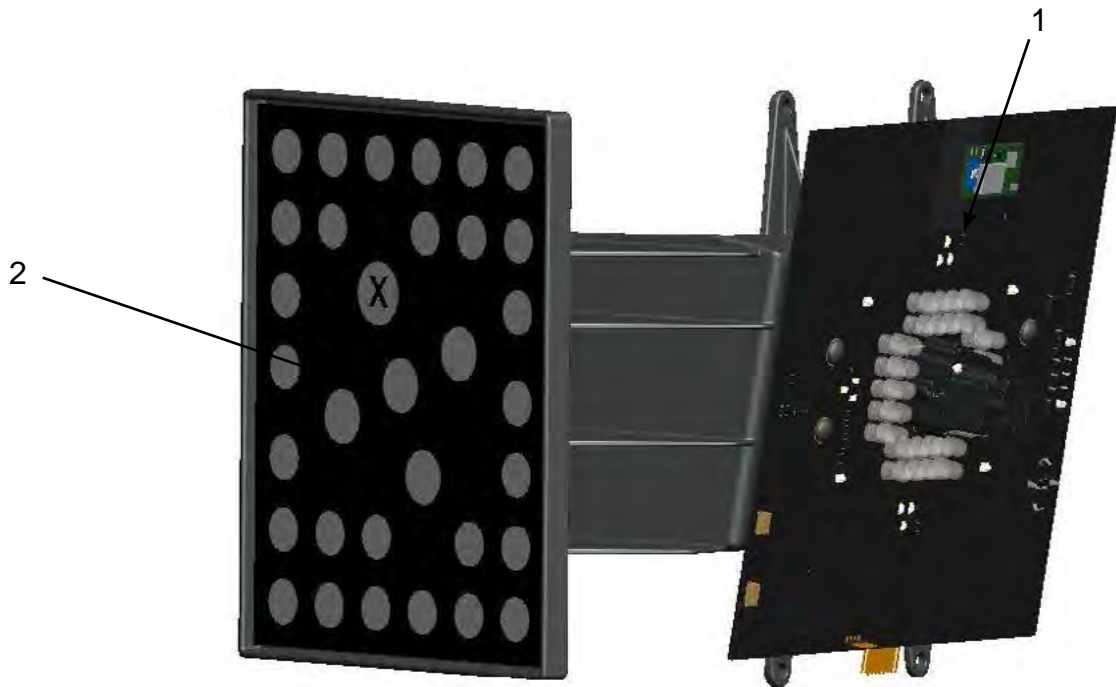
TEEWA553MB3 - SPARE PARTS

CAM/CAM ASSEMBLY



REF	REQ	PART NO	DESCRIPTION
1	1	EAK0320J94E	CAMERA SERVICE KIT.
2	1	EAK0305J79B	TARGET BRACKET ASSY

CAM/TARGET ASSEMBLY

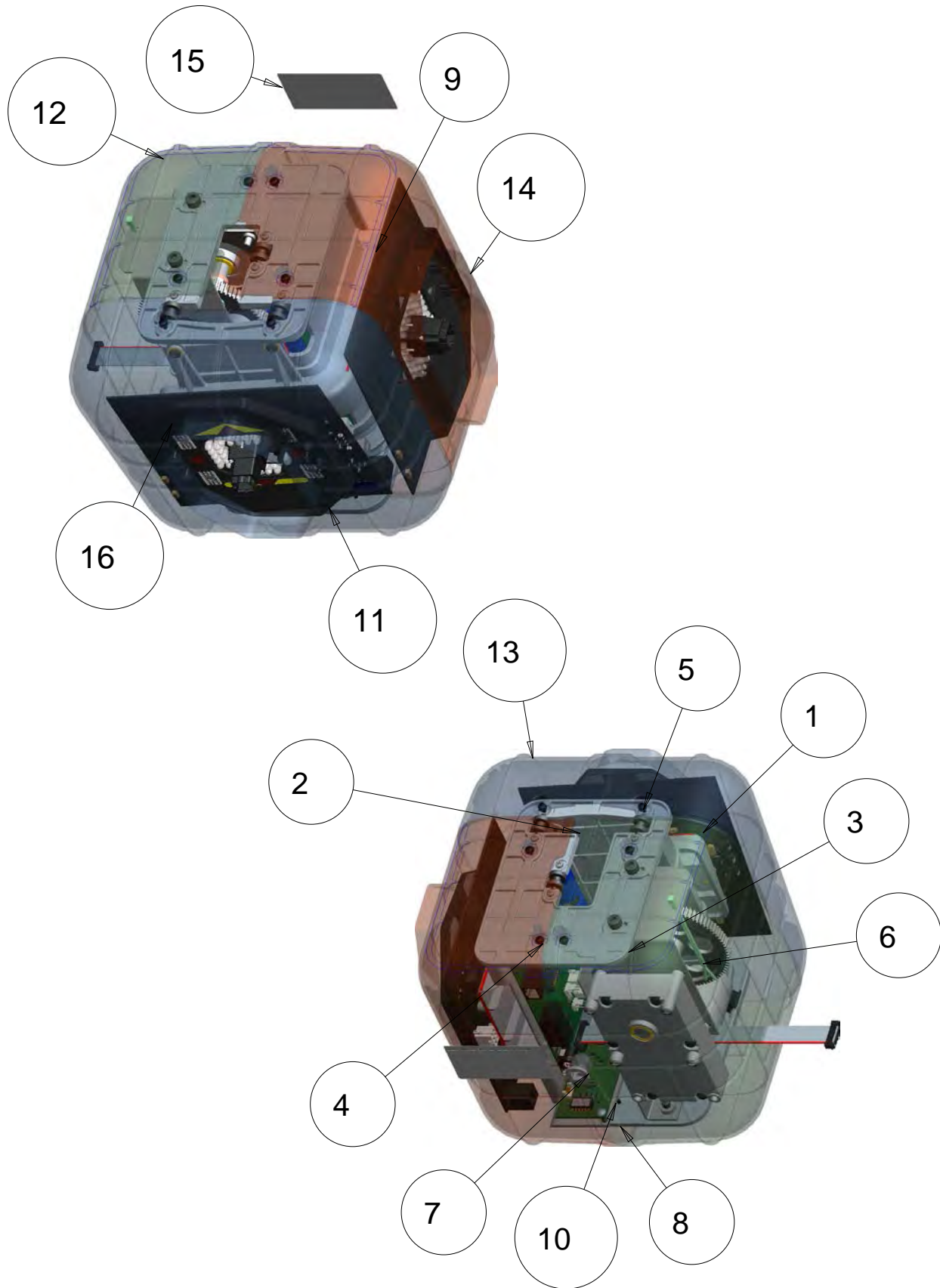


TEEMVA53MB3 - SPARE PARTS

CAMERA PODS (CAM/CAM)

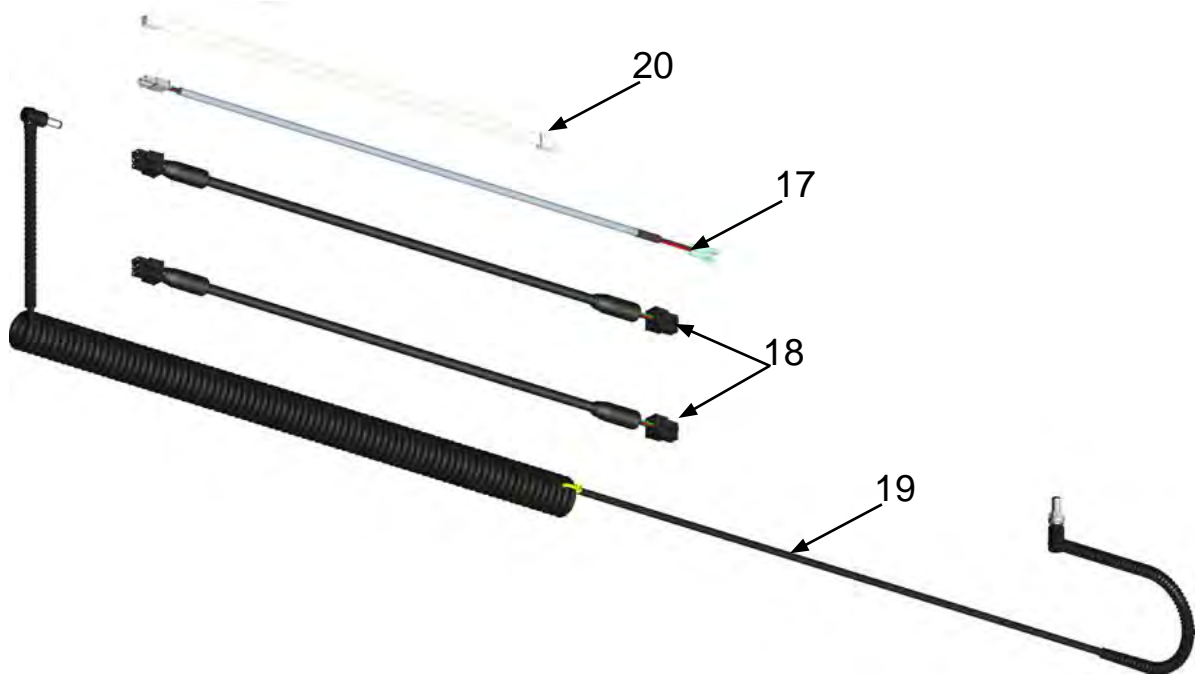
EAA0381J30C - NA

EAA0381J82B1 - EU



TEEWA553MB3 - SPARE PARTS

SYM	REQ	PART NO	DESCRIPTION
1	4	1-12724A	SCREW - #6-19 X 1/4 SELF TAP - TRI
2	4	1-12824A	SCREW - #6-19 X 1/2 SELF TAP - TRI
3	4	1-13204A2	SCREW - PHM, M4 X 10MM X 12MM
4	12	1-18206	SCREW - PHM, M3 X 12M W/ WASHER
5	4	1-5547	WASHER-LOCK, EXT, M4
6	2	5-2345	TIE - CABLE 4" LG X .10" WD
7	1	8-09919A	STRAIN RELIEF
8	1	EAA0381J27A	POD ASSY - V3D3, COMMON
9	1	EAA0381J28B	CAM-CAM ASSY - OEM
10	1	EAA0381J58A	GRAVITY GAUGE V3400
11	1	EAA0381J84A	COVER-WIRELESS UHR,SOLID,
12	1	EAA0381J86A	COVER-WIRELESS UHR,CAL-CAM
13	1	EAA0381J85A	COVER-WIRELESS UHR,FRONT
14	2	EAA0381J79A	VODI PLATE_A- EMI SHIELD
15	1	EAL0343J76A	ELECT/SERIAL LABEL
16	1	EAL0343J81A	GRAPHIC FACE PLATE - V3D2
17	1	EAU0235J48A	CABLE ASS'Y, ULTRA MOTOR CABLE
18	2	EAU0235J51A	CABLE ASSY-CAMERA, ULTRA ARAGO
19	1	EAU0235J82B	CABLE - POWER, COILED V3D3
20	1	EAU0235J87A	CABLE ASM - V3D3, COMM.

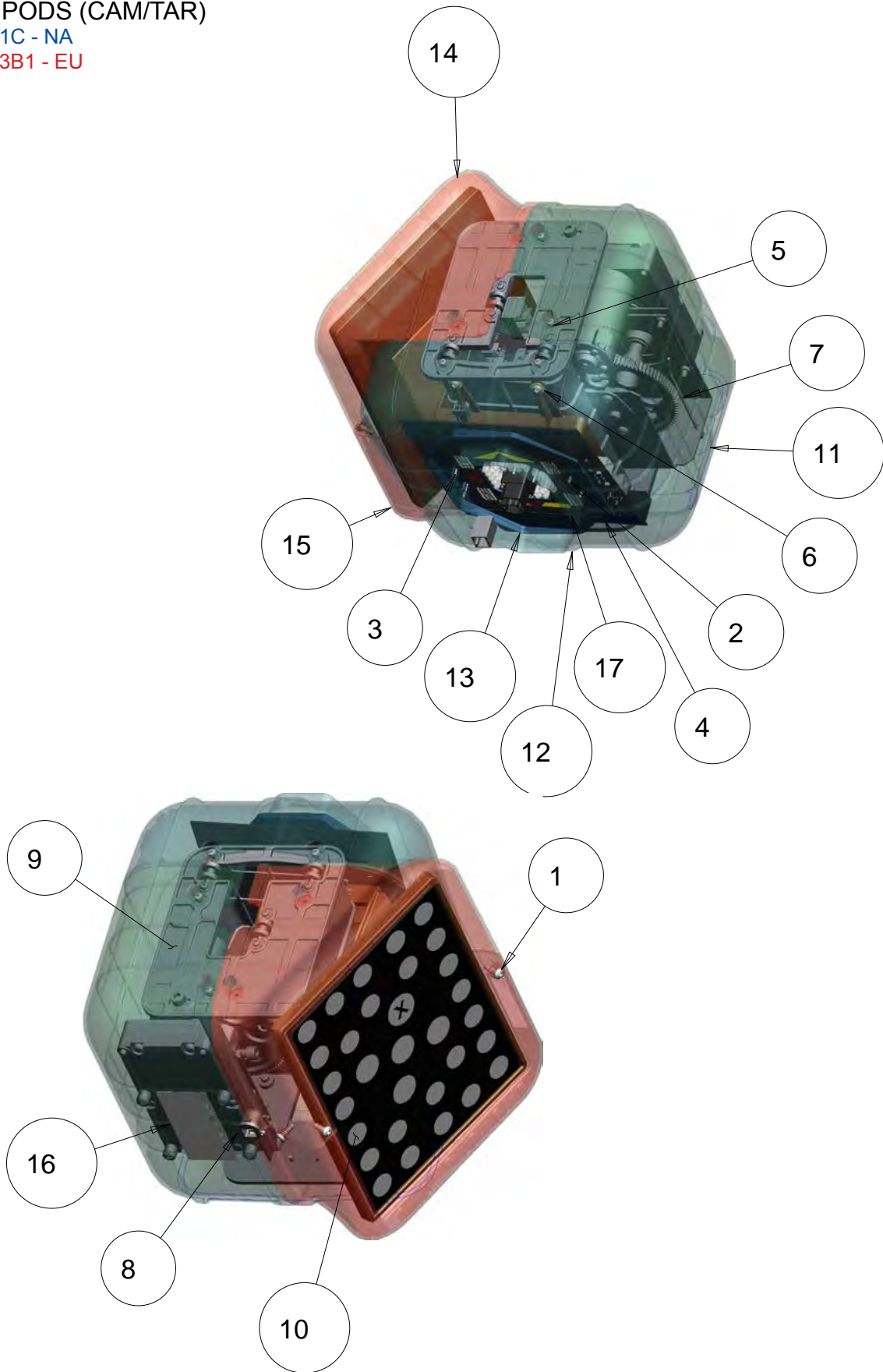


TEEMVA53MB3 - SPARE PARTS

CAMERA PODS (CAM/TAR)

EAA0381J31C - NA

EAA0381J83B1 - EU

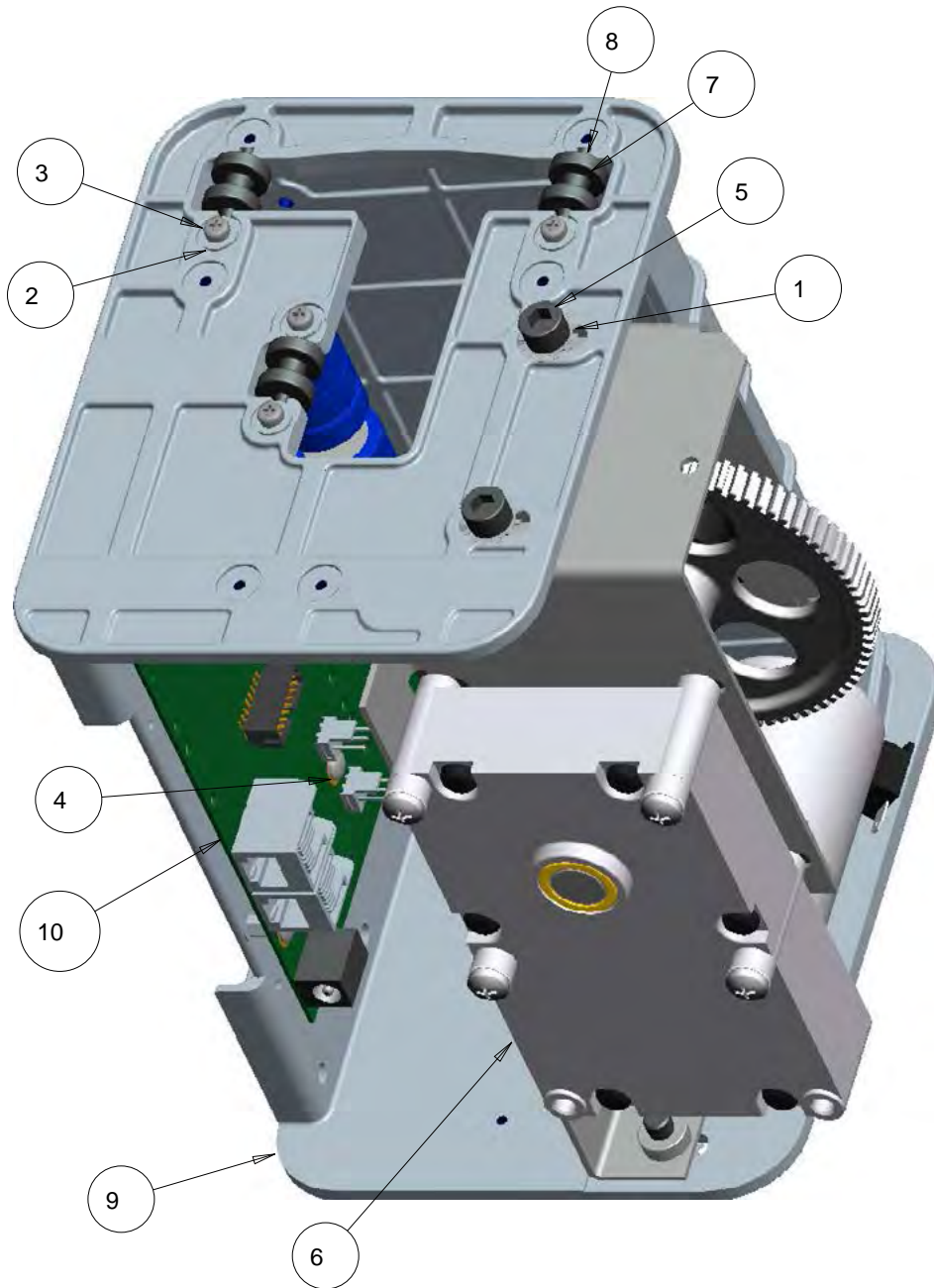


TEEWA553MB3 - SPARE PARTS

SYM	REQ	PART NO	DESCRIPTION
1	3	1-07424A	SCREW - PAN HD, 8-18 X 1/2
2	2	1-12724A	SCREW - #6-19 X 1/4 SELF TAP - TRI
3	2	1-12824A	SCREW - #6-19 X 1/2 SELF TAP - TRI
4	4	1-13204A2	SCREW - PHM, M4 X 10MM X 12MM
5	8	1-18206	SCREW - PHM, M3 X 12M W/ WASHER
6	4	1-5547	WASHER-LOCK, EXT, M4
7	2	5-2345	TIE - CABLE 4" LG X .10" WD
8	1	8-09919A	STRAIN RELIEF
9	1	EAA0381J27A	POD ASSY - V3D3, COMMON
10	1	EAA0381J29B	CAM-TAR ASM - V3400, OEM
11	1	EAC0116J08A	COVER - V3D3, SOLID
12	1	EAC0116J12A	COVER - V3D3, FRONT
13	1	EAC0116J13A	COVER - V3D3, VOD
14	1	EAA0395J75A	COVER - TOP, 6X8
15	1	EAA0395J74A	COVER - BOTTOM, 6X8
16	1	EAL0343J76A	ELECT/SERIAL LABEL
17	1	EAL0343J81A	GRAPHIC FACE PLATE - V3D2
18	1	EAW0235J48A	CABLE ASS'Y, ULTRA MOTOR CABLE
19	1	EAW0235J51A	CABLE ASSY-CAMERA, ULTRA ARAGO
20	1	EAW0235J82A	CABLE - POWER, COILED V3D3
21	1	EAW0235J87A	CABLE ASM - V3D3, COMM.

TEEWAS53MB3 - SPARE PARTS

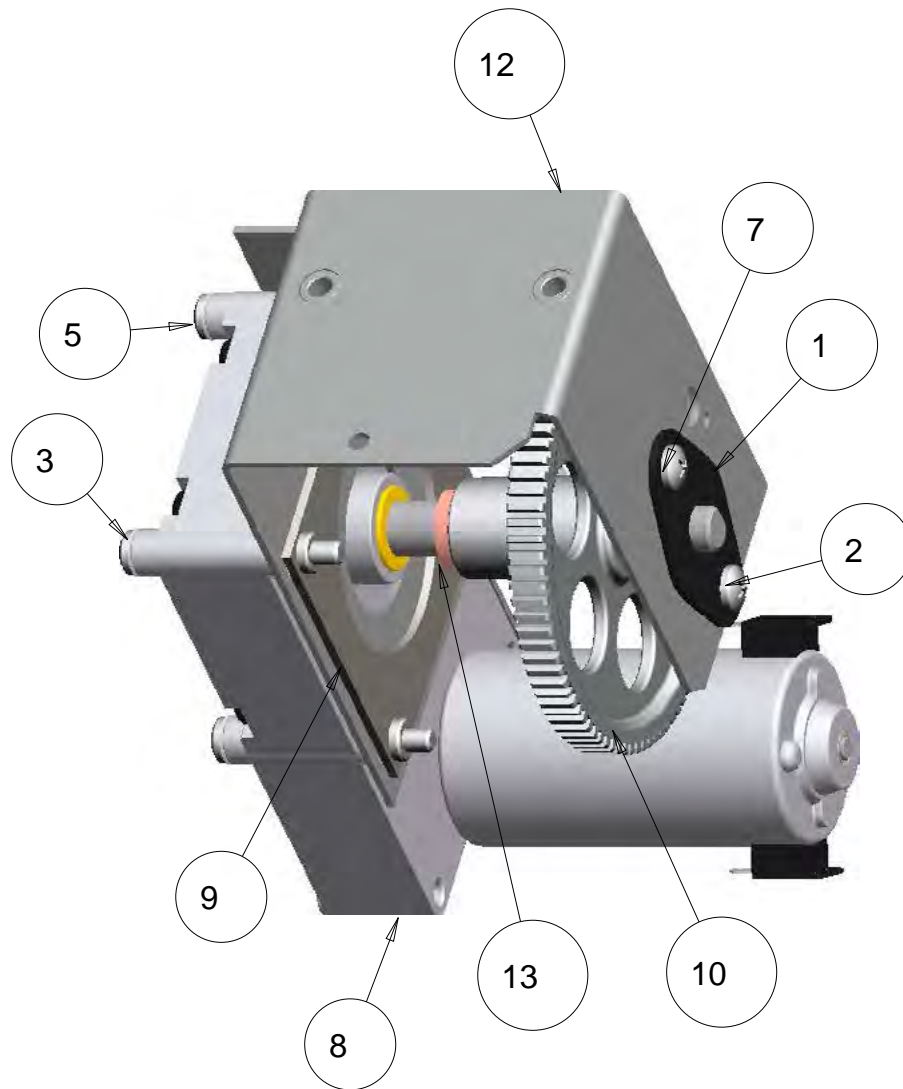
POD CAR
EAA0381J27A



SYM	REQ	PART NO	DESCRIPTION
1	3	1-1548	WASHER-EXT,SHAKEPROOF 6MM
2	8	1-16341A	WASHER - FLAT (3MM), 9MM OD
3	8	1-20504A	SCREW PAN HEAD
4	4	1-38606A	MSCR PHIL PH W/LK M3X6MM
5	3	1-47909A	SCREW-HEX SOCKET H.CAP
6	1	EAA0381J32A	MOTOR/GEAR ASM., V3D3
7	6	EAC0116J05A	ROLLER - V3D3
8	6	EAM0088J16A	PIN - ROLLER, 3MM
9	1	EAM0088J20A	SLIDE CAR - V3D3, MACHINE ASSY
10	1	EAP0280J30A	CONTROL BOARD V3D3

TEEWA553MB3 - SPARE PARTS

MOTOR / GEAR ASSEMBLY
EAA0381J32A REV B

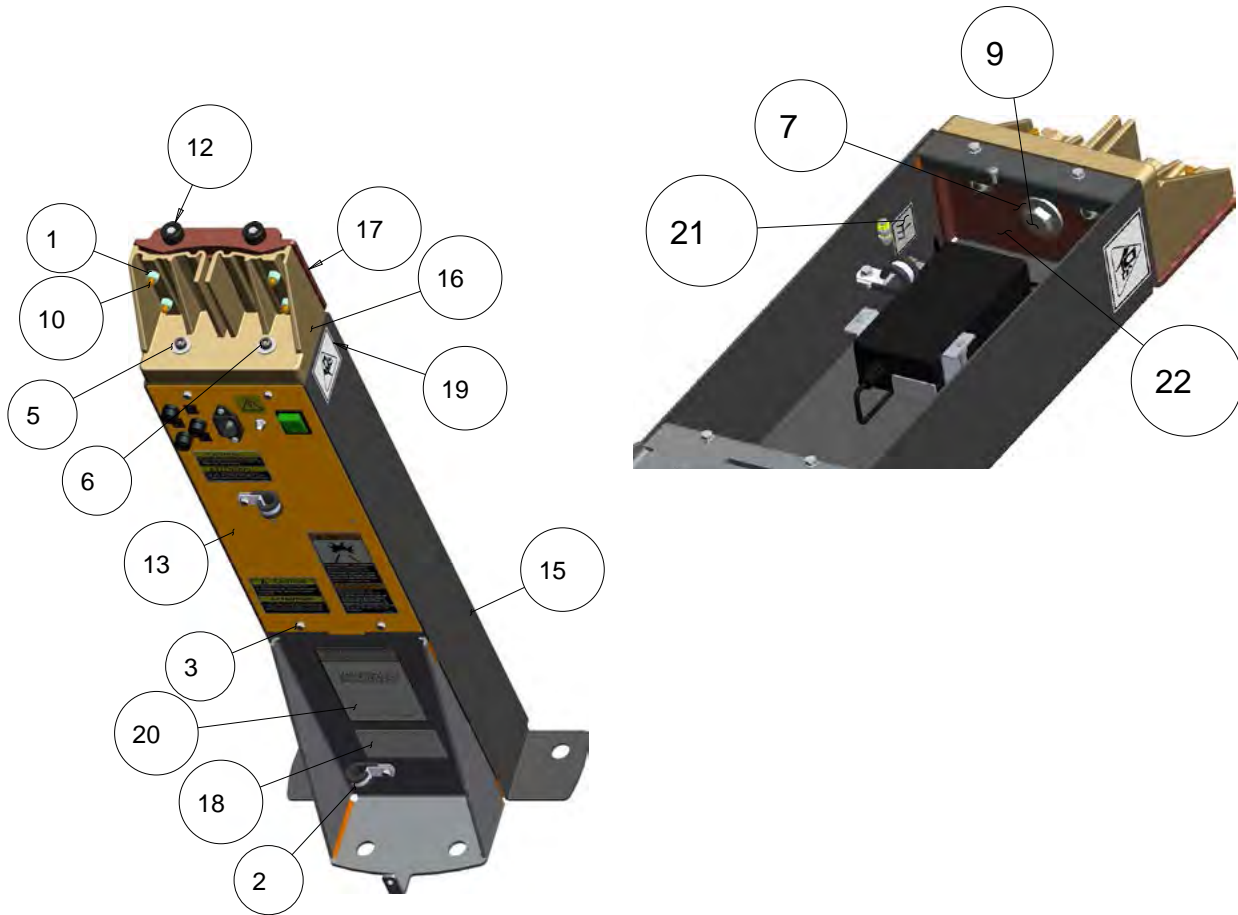


SYM	REQ	PART NO	DESCRIPTION
1	1	1-02863A	BEARING- FLANGE MTD
2	2	1-32806A	SCREW - PHMS #10-24 X 3/8
3	4	1-347	#10 INTERNAL TOOTH LOCKWASHER
4	1	EAM0088J31A	SCREW-SHCS, 1/4-20 X 3/4,
5	4	1-4806	MSCR PNH #10-32 X 1-3/4
6	1	1-7433	NUT & L/WASHER ASSY, 1/4-20
7	2	1-7733	LOCK NUT-10-24 X .375
8	1	2-44066A	GEAR MOTOR, 12V, ULTRA
9	1	EAA0321J63A	PLATE ASM. - MOTOR LOCK, UA
10	1	EAC0079J65A	GEAR - SPUR, DIE CAST
12	1	EAS2119J83A	BRACKET - MOTOR, V3D3
13	2	1-12944A	SPACER - .PULLY .62 OD X .13 LG

TEEWAS53MB3 - SPARE PARTS

BASE TOWER

EAA0381J38C

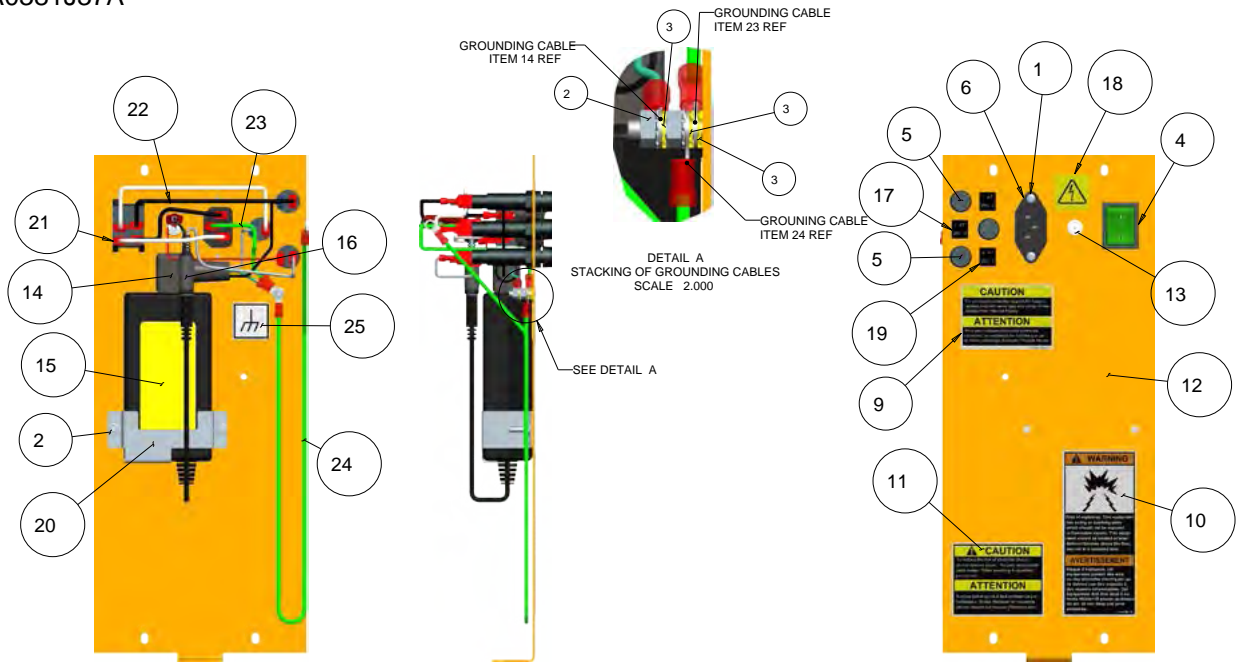


SYM	REQ	PART NO	DESCRIPTION
1	6	1-01637A	NUT-ESNA,M6
2	2	1-04082A	CLAMP - HOSE CUSHIONED
3	8	1-12624A	SCREW - THREAD FORMING, M4X.07,
4	1	1-13533A	NUT - BARB, M4
5	4	1-16641A	WASHER - FLAT (6MM)
6	2	1-16709	SCREW - SHCS, SCREW - SHC, M6 X 35MM
7	1	1-16941A	WASHER, LARGE ISO 7093 (DIN 9021)
8	1	1-32641A	WASHER-LOCK,M4 DIN 6797 TYPE A
9	1	1-34201A	MSCR, HEX HD - M10 X 16MM
10	4	1-56001A	BOLT - HEX HEAD, DIN931
11	1	2-69966A	POWER CABLE - RIGHT ANGLE
12	2	8-08018A	RUBBER FOOT
13	1	EAA0381J37A	ELECTRICAL MOUNT PLATE ASM
14	1	EAA0381J70A	TAG-TORQUE SPEC,V3400
15	1	EAA0395J28A	WELD ASM- V3400 SHORT
16	1	EAC0116J14A	CLAMP - ALIGNER POLE, SIDE A
17	1	EAC0116J15A	CLAMSHHELL-ALIGNER POLE,SIDE B
18	1	EAL0343J76A	ELECT/SERIAL LABEL
19	2	EAL0392J07A	LABEL- WARNING
20	1	EAL0392J18A	LABEL-PATENT ALIGNMENT
21	1	EAL0392J19A	LABEL-GROUND
22	1	EAS2119J92B	PLATE - DOUBLER, 5 DEG ROTATION

TEEWA553MB3 - SPARE PARTS

ELECTRICAL MOUNT PLATE ASSY

EAA0381J37A



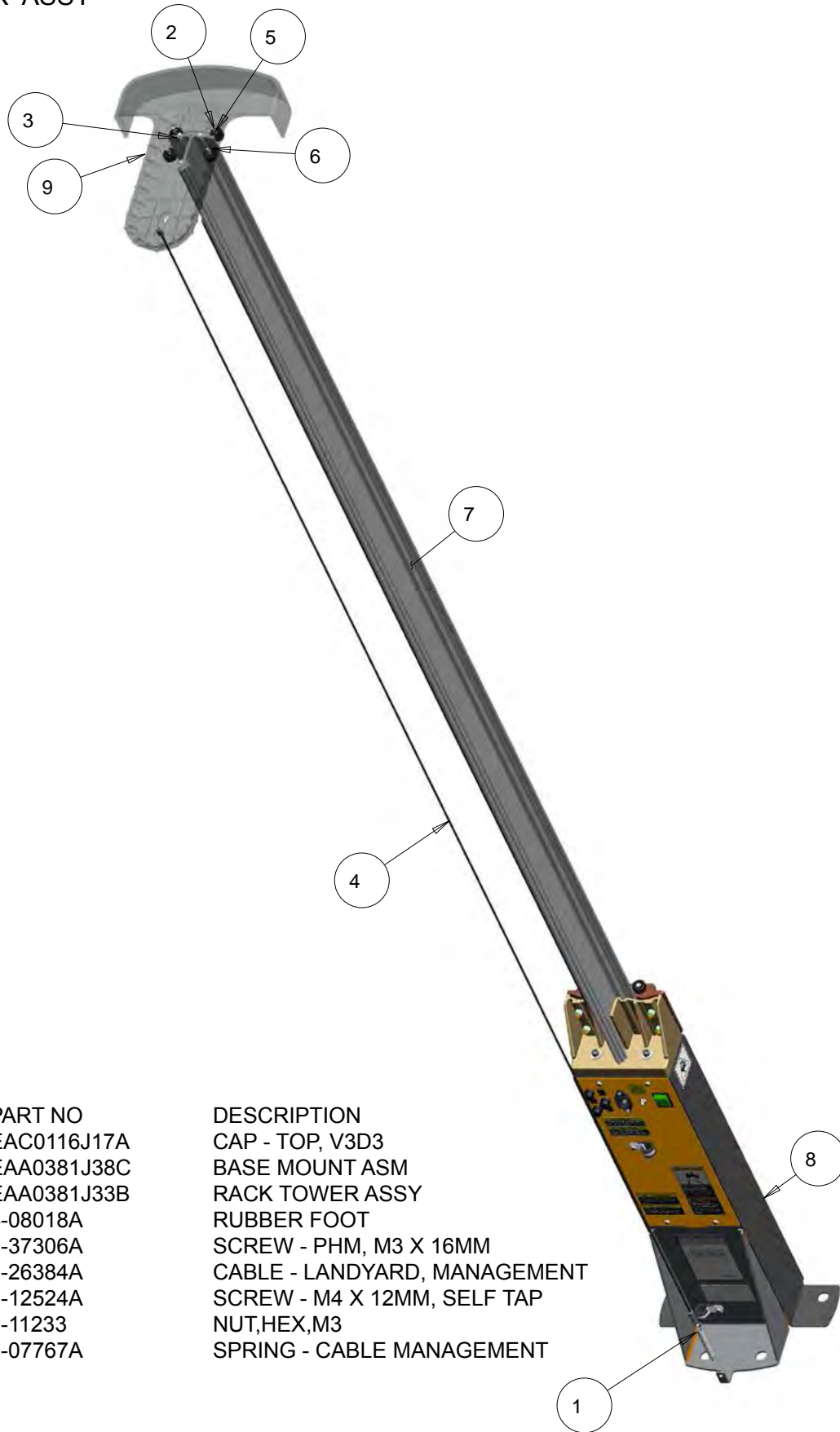
SYM	REQ	PART NO	DESCRIPTION
1	2	1-12224A	SCREW - THREAD FORMING, M3X0.5
2	4	1-13533A	NUT - BARB, M4
3	3	1-32641A	WASHER-LOCK, M4 DIN 6797 TYPE A
4	1	2-14258A	ROCKER SWITCH, ILLUMINATED, GREEN
5	3	2-15651A	FUSE HOLDER
6	1	2-64448A	IEC 320-C14 AC RECEPTACLE
7	2	2-7551	SLO-BLO FUSE (1 AMP, 250V)
8	1	2-7651	SLO-BLO FUSE (2 AMP, 250V)
9	1	86164	LABEL-WARNING, FUSE RATING
10	1	111243	LABEL-WARNING EXPLOSION
11	1	111245	LABEL-CAUTION, ELECTRICAL
12	1	EAA0381J48A	PANEL - ELECT MOUNT, ALIGNER
13	1	EAE0049J81A	CABLE ASM - SWITCHCRAFT
14	1	EAE0049J83A	CABLE ASM - IEC320-C13
15	1	EAE0049J84A	POWER SUPPLY - ALIGNER
16	1	EAE0049J85A	CABLE ASM - DC BARREL (MALE)
17	2	EAL0345P53A	LABEL-FUSE 1A
18	1	EAL0345P54A	ELECTRICAL WARNING LABEL
19	1	EAL0415J61A	LABEL-FUSE, 2A
20	1	EAS2119J91A	BRACKET - POWER SUPPLY, ALIGNER
21	2	EAW0235J83A	CABLE ASM - LT BLUE, 18 AWG
22	2	EAW0235J84A	CABLE ASM - BLACK, 18 AWG
23	1	EAW0235J85A	CABLE ASM - GROUND, 18 AWG
24	1	EAW0235J86A	CABLE ASM - GROUND, 18 AWG
25	1	EAL0392J19A	LABEL GROUND

TEEMAS53MB3 - SPARE PARTS

BASE / TOWER ASSY

EAA0381J51C

EAA0395J35C



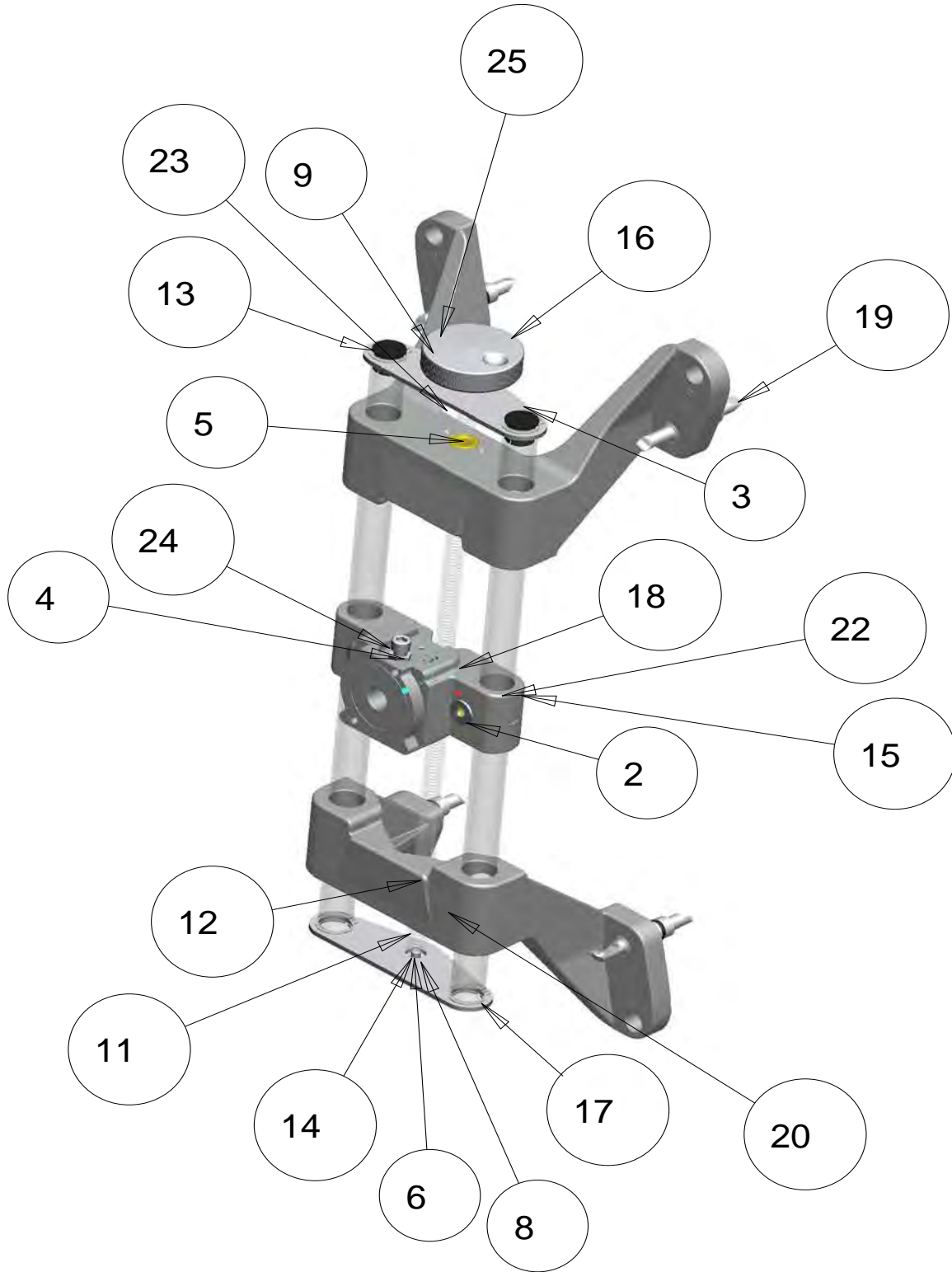
SYM	REQ	PART NO	DESCRIPTION
9	1	EAC0116J17A	CAP - TOP, V3D3
8	1	EAA0381J38C	BASE MOUNT ASM
7	1	EAA0381J33B	RACK TOWER ASSY
6	4	8-08018A	RUBBER FOOT
5	4	1-37306A	SCREW - PHM, M3 X 16MM
4	1	1-26384A	CABLE - LANDYARD, MANAGEMENT
3	3	1-12524A	SCREW - M4 X 12MM, SELF TAP
2	4	1-11233	NUT, HEX, M3
1	1	1-07767A	SPRING - CABLE MANAGEMENT

TEEWA553MB3 - SPARE PARTS

WHEEL CLAMP

EAC0079J70A - WHEEL CLAMP ASSY- NA NO SHAFT

EAC0079J76A - WHEEL CLAMP ASSY- EU NO SHAFT



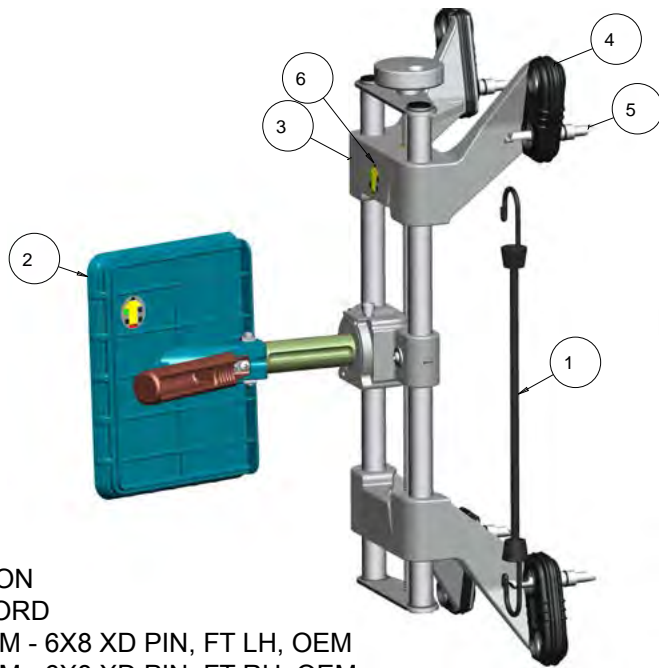
TEEWA553MB3 - SPARE PARTS

SYM	REQ	PART NO	DESCRIPTION
2	3	1-14144A	WASHER-FLAT, M6
3	8	1-17677A	RETAINING RING
4	1	1-20733A	NUT - JAM, M8
5	4	1-28103A	MSCR, PH FLH M4 X 25MM
6	1	1-3447	M6 LOCKWASHER, INTERNAL TOOTH
8	3	1-50309A	SCREW-BHCS M6X10MM
9	1	1-6152	PIN-STRAIGHT SLOTTED M4 X 20MM
11	2	EAC0079J48A	BRACKET-LONG WHEEL CLAMP (FRONT)
12	2	EAC0079J50A	COVER-FEED SCREW LOCK
13	2	EAC0079J51A	PLUG - PLASTIC, 19MM HOLE
14	2	EAC0079J52A	WASHER-THRUST PLASTIC PLASTIC, 19MM HOLE
15	1	EAC0079J53A	CENTER SLIDE BRACKET
16	1	EAM0044J13A	KNOB HAND WHEEL
17	2	EAM0044J14A	TUBE-WHEEL CLAMP LONG (NA)
		EAM0044J64A	TUBE-WHEEL CLAMP SHORT (EU)
18	1	EAM0044J16A	SCREW-DOUBLE LEAD LONG (NA)
	1	EAM0044J65A	SCREW-DOUBLE LEAD SHORT (EU)
19	4	EAM0044J19C	GRABBER ASM, SINGLE END
20	1	EAM0044J20A	BUSHING-THREADED BRASS RH
22	2	EAM0044J22A	PIN-TUBE LOCK
23	1	EAM0044J24A	BUSHING THREADED BRASS LH
		EAM0044J20A	BUSHING THREADED BRASS RH
24	1	EAM0044J47A	SCREW - SHCS M8X30 FULL THD
25	2	EAS2084J29A	PLATE-RETAINER

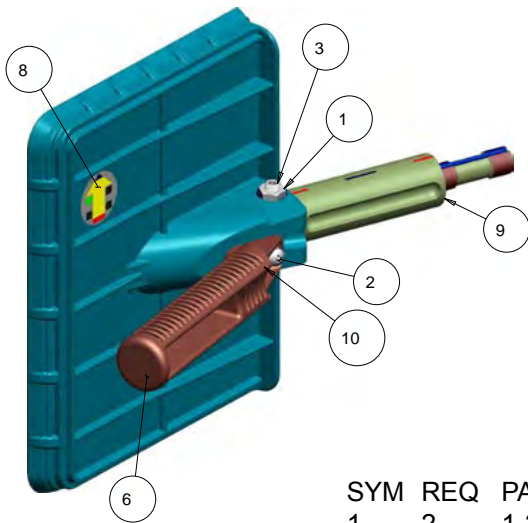
PART NUMBER	DESCRIPTION
1-08584A	CORD – BUNGEE, BLACK 16”
EAK0268J41B	GRABBER KIT – DUAL END
EAC0105J35A	COVER-RUBBER, V3D

TEEWAS3MB3 - SPARE PARTS

AC700 WHEEL CLAMP - XD TARGET, FRONT



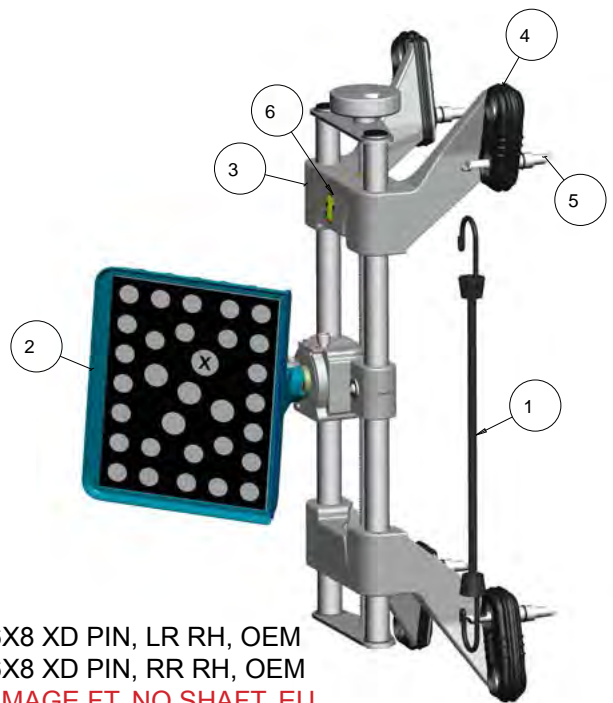
SYM	REQ	PART NO	DESCRIPTION
1	1	1-08584A	BUNGEE CORD
2	1	EAA0420J12A	TARGET ASM - 6X8 XD PIN, FT LH, OEM
	1	EAA0420J13A	TARGET ASM - 6X8 XD PIN, FT RH, OEM
3	1	EAC0079J76A	WHEEL CLAMP IMAGE FT, NO SHAFT, EU
	1	EAC0079J70A	WHEEL CLAMP IMAGE FT, NO SHAFT, NA
4	4	EAC0105J35A	COVER - RUBBER, V3D
5	1	EAK0268J41C	GRABBER KIT - SINGLE END
6	1	EAL0415J09A	DECAL - LEFT FRONT, INDICATOR
	1	EAL0415J12A	DECAL - RIGHT FRONT, INDICATOR



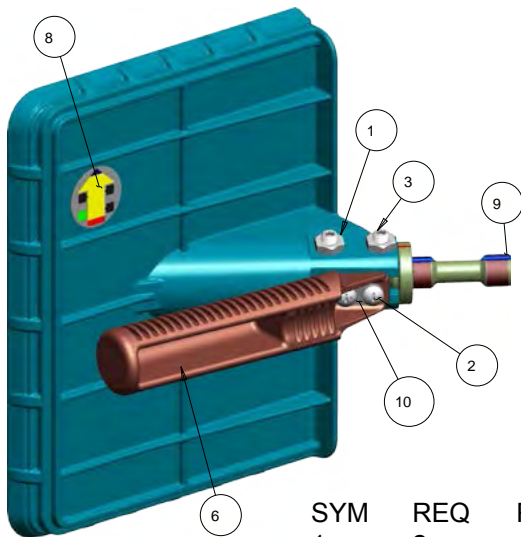
SYM	REQ	PART NO	DESCRIPTION
1	2	1-20733A	NUT - JAM, M8
2	2	1-38806A	SCREW - M5 X 16MM W/ WASHER
3	2	1-54810A	SCREW - SET. M8 X 20MM, CONE PT
4	1	8-10632A	ADHESIVE - DP5106 2 PART EXPOXY
6	1	EAC0116J00A	HANDLE - TARGET, SUPPORT
8	1	EAL0415J09A	DECAL - LEFT FRONT, INDICATOR
	1	EAL0415J12A	DECAL - RIGHT FRONT, INDICATOR
9	1	EAM0088J56A	ADAPTOR 3.5" - XD TARGET - OEM
10	1	EAS2119J98A	PLATE - SUPPORT, HANDLE

TEEWA553MB3 - SPARE PARTS

AC700 WHEEL CLAMP - XD TARGET, REAR



SYM	REQ	PART NO	DESCRIPTION
1	1	1-08584A	BUNGEE CORD
2	1	EAA0420J14A	TARGET ASM - 6X8 XD PIN, LR RH, OEM
	1	EAA0420J15A	TARGET ASM - 6X8 XD PIN, RR RH, OEM
3	1	EAC0079J76A	WHEEL CLAMP IMAGE FT, NO SHAFT, EU
	1	EAC0079J70A	WHEEL CLAMP IMAGE FT, NO SHAFT, NA
4	4	EAC0105J35A	COVER - RUBBER, V3D
5	1	EAK0268J41C	GRABBER KIT - SINGLE END
6	1	EAL0415J11A	DECAL - RIGHT REAR, INDICATOR
	1	EAL0415J10A	DECAL - LEFT REAR, INDICATOR



SYM	REQ	PART NO	DESCRIPTION
1	2	1-20733A	NUT - JAM, M8
2	2	1-38806A	SCREW - M5 X 16MM W/ WASHER
3	2	1-54810A	SCREW - SET. M8 X 20MM, CONE PT
4	1	8-10632A	ADHESIVE - DP5106 2 PART EXPOXY
6	1	EAC0116J00A	HANDLE - TARGET, SUPPORT
8	1	EAL0415J10A	DECAL - LEFT REAR, INDICATOR
	1	EAL0415J11A	DECAL - RIGHT REAR, INDICATOR
9	1	EAM0088J24A	ADAPTOR - XD TARGET - OEM
10	1	EAS2119J98A	PLATE - SUPPORT, HANDLE

TEEMVA53MB3 - SPARE PARTS

Snap-on
309 Exchange Ave.
Conway, AR 72032
501-450-1500

Notice: The information contained in this document is subject to change without notice. Snapon makes no warranty with regard to this material. Snapon shall not be liable for errors contained herein or for incidental consequential damages in connection with furnishings, performance, or use of this material.

This document contains proprietary information which is protected by copyright and patents. All rights are reserved. No part of this document may be photocopied, reproduced, or translated without prior written consent of Snapon.