



## Repair Parts and Maintenance Guide



Scan here for free maintenance, repair, and technical training videos. Earn great Sloan gear while you learn!



# Sloan Plumbing Products Terms

---

This Repair Parts and Maintenance Guide (“Guide”) is provided by Sloan Valve Company, a Delaware corporation whose principal place of business is at 10500 Seymour Avenue, Franklin Park, IL 60131 (“Sloan” or “we”). Your purchase of products, accessories, and related parts including those set out in this Guide (“Products”) from Sloan constitutes your agreement to be bound by the:

- **Product Terms**, and any terms incorporated therein by reference including the Sloan Minimum Advertised Price Policy, which can be found at: [Sloan.com/terms-and-conditions.pdf](https://www.sloan.com/terms-and-conditions.pdf)
- **Limited Warranty** offered by Sloan, and any terms incorporated therein by reference, which can be found at: [Sloan.com/warranty-information](https://www.sloan.com/warranty-information)
- **Return Policy** offered by Sloan, and any terms incorporated therein by reference, which can be found at: [Sloan.com/warranty-information](https://www.sloan.com/warranty-information)

The above, collectively referred to hereafter as the “Terms.”

Please carefully read the Terms. By purchasing any products you are agreeing to be bound by the Terms.

The Terms in effect at the time you place an order for the Products will apply to such order. Sloan reserves the right to make changes to these Terms from time to time, and any such changes will apply to future orders.



# Flushometer Identification

**IN ORDER FOR THE WATER CLOSET OR URINAL TO PERFORM PROPERLY FOR ITS INTENDED USE, YOU MUST FOLLOW THESE INSTRUCTIONS:**  
**A. IDENTIFY YOUR FLUSHOMETER MODEL NO.**  
**B. CHECK FOR THE WATER CONSUMPTION LABEL ATTACHED TO FLUSHOMETER AND FIXTURE, ENSURING THEY MATCH.**  
**C. REFER TO SPECIFIC FLUSHOMETER SECTION IN GUIDE FOR APPROPRIATE REPLACEMENT PART NO.**

## 1. IDENTIFY YOUR SLOAN FLUSHOMETER

Identify our Sloan flushometer from the vacuum breaker, cap, cover, or from identification label at the bottom of the valve body. (Sloan parts only supplied.)

### Exposed



### Concealed

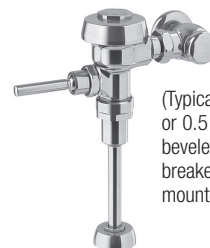


### Water Closet



(Check water inlet at top or back of fixture. Typically 3.5 gpf to 1.6 gpf, larger vacuum breaker)

### Urinal



(Typically 1.0 gpf or 0.5 gpf, smaller, beveled vacuum breaker, wall mounted)

## Manual Diaphragm Flushometers (Pages 15-25)

Royal®



Royal II®



Continental®



UPPERCUT®



Sloan®



Regal®



Known as Regal® XL (Since mid-2010)

## Hydraulic & Concealed Diaphragm Flushometers (Pages 26-34)

Series 900® Exposed



Series 900® Concealed



Concealed



## Manual Piston Flushometers (Pages 35-49)

Crown®



Crown II®



DISCONTINUED

Gem-2®



## Manual Piston Flushometers (Pages 35-49)

Naval®



TruFlush



Sloan CX



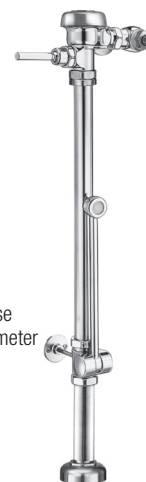
Dolphin®



## Manual Self-closing Flushometers (Pages 50-52)

## Slimline® Bedpan Washer (Pages 53-55)

For electronic components use Sensor Flushometer Section.



# Flushometer Identification

## Sensor Activated Hardwire Flushometers (Pages 56-83)

Optima® Hardwired



Optima® ES-S-WB



Optima® ES-S TMO



SMOOTH® Hardwired



Sloan ECOS® Hardwired



Royal® ESS SWB Hardwired



Optima® Royal® ES-S TMO Concealed



Optima® Royal® ES-S TMO Concealed with SWB



TruFlush Hardwired/Battery



Sloan CX Hardwired/Battery



Optima® Hardwired 120/24V



Optima® Crown® Hardwired 120/24V



## Battery/Solar-powered Sensor Activated Flushometers (Pages 84-117)

G2 Optima Plus®



SLOAN® Optima Plus®



DFSM/SFSM



SMOOTH®



SMO



Sloan ECOS®



Sloan SOLIS®



SOLIS® CONCEALED



## Accessories/Tools (Pages 13-14)



## 2. CHOOSE REPLACEMENT PARTS FROM THESE PAGES:

Tools/Accessories.....	13-14	Flushometer Body Sub-Assemblies.....	128
Manual Diaphragm Flushometers .....	15-25	Trap Primer .....	129-132
Hydraulic & Concealed Diaphragm Flushometer .....	26-34	Small Vacuum Breaker Repair Kits.....	133
Manual Piston Flushometers.....	35-49	Push Buttons.....	134-137
Manual Self-Closing Flushometer.....	50-52	Flush Connections & Flanges.....	138-143
Manual Diaphragm Bedpan Washer Flushometer.....	53-55	Offset Outlet Tubes .....	144
Sensor Activated Hardwired Flushometers.....	56-83	Bumpers, Pipe & Tube Supports.....	145
Sensor Activated Battery/Solar-Powered Flushometers.....	84-117	Floor Valve.....	146
Control Stops.....	118-125	Sweat Solder Kits.....	147
Tail Pieces.....	126-127	Flushometer Parts Quick Reference Guide.....	148

The information contained in this document is subject to change without notice.

## Faucet Identification

IDENTIFY YOUR SLOAN FAUCET AND CHOOSE REPLACEMENT PARTS FROM THE PAGES LISTED:

### BASYS® Faucets (Pages 149-171)



EFX-1 (IR) SERIES



EFX-2 (IR) SERIES



EFX-3 (IR) SERIES



EFX-6 (IR) SERIES



EFX-8 (IR) SERIES



EFX-3 (CAP) SERIES



EFX-6 (CAP) SERIES

### NEW Bluetooth EBF/ETF Optima® Battery, Hardwire & Turbine Faucets (Pages 172-207)



EBF-85/ETF-80



EBF-187/ETF-880



EBF-650/ETF-600



EBF-615/ETF-610



EBF-750/ETF-700  
EBF-750-2/ETF-700-S



EBF-550/ETF-500  
EBF-550-2/ETF-500-S



EBF-665/ETF-660



EBF-755/ETF-770



EBF-850/ETF-800



EBF-425/ETF-420



EBF-415/ETF-410



EBF-825/ETF-820



EBF-815/ETF-810

### OLD EBF/ETF Optima® Battery, Hardwire Faucets (Pages 208-230)



EBF-85/EBF-187  
ETF-80/ETF-880



EBF-650/ETF-600



EBF-615/ETF-610



EBF-625/EBF-655



EBF-750/ETF-700  
EBF-750-S/ETF-700-S



EBF-550/ETF-500  
EBF-550-S/ETF-500-S



EBF-660/EBF-665



ETF-770



ETF-800

## Faucet Identification

IDENTIFY YOUR SLOAN FAUCET AND CHOOSE REPLACEMENT PARTS FROM THE PAGES LISTED:

### EAF Solar, Battery & Hardwire Faucets (Pages 231-255)



EAF-150/EAF-100



EAF-250/EAF-200



EAF-275



EAF-350



EAF-750/EAF-700



EAF-900

### SF Battery & Hardwire Faucets (Pages 256-265)



SF-2100/SF-2150



SF-2200/SF-2250



SF-2300/SF-2350



SF-2400/SF-2450



SF-2800/SF-2850



SF-2900/SF-2950

### Discontinued Faucets (Pages 266-269)



ERF-885



ELF-10



ESF-20/30

### Accessories (Pages 270-272)



Trim Plates



Aerators

## Vitreous China Fixture Identification

IDENTIFY YOUR SLOAN MODEL AND CHOOSE REPLACEMENT PARTS FROM THE PAGES LISTED:

### Water Closets (Pages 273-274)



ST-2459



ST-2469



ST-2009



ST-2029



ST-2229



ST-2309



ST-2449

### Pressure Assist and Gravity Water Closets (Pages 277-279)



WETS-8009 Series  
STD



WETS-8029 Series  
ADA



WETS-4009 Series  
STD



WETS-4029 Series  
ADA

### Washdown, Retrofit, and Small Urinals (Page 280)



SU-1009



SU-1019



SU-1209



SU-1219



SU-7009



SU-7019



SU-7409



SU-7419

### Hybrid and Waterfree Urinals (Pages 281)



HYB-1000



HYB-1000-RET



HYB-4000



HYB-7000



WES-1000



WES-4000



WES-7000

### Lavatories (Page 287)



SS-3001



SS-3002



SS-3003



SS-3004



SS-3006



SS-3065



SS-3021



SS-3026



SS-3036



SS-3145



SS-3017



SS-3055

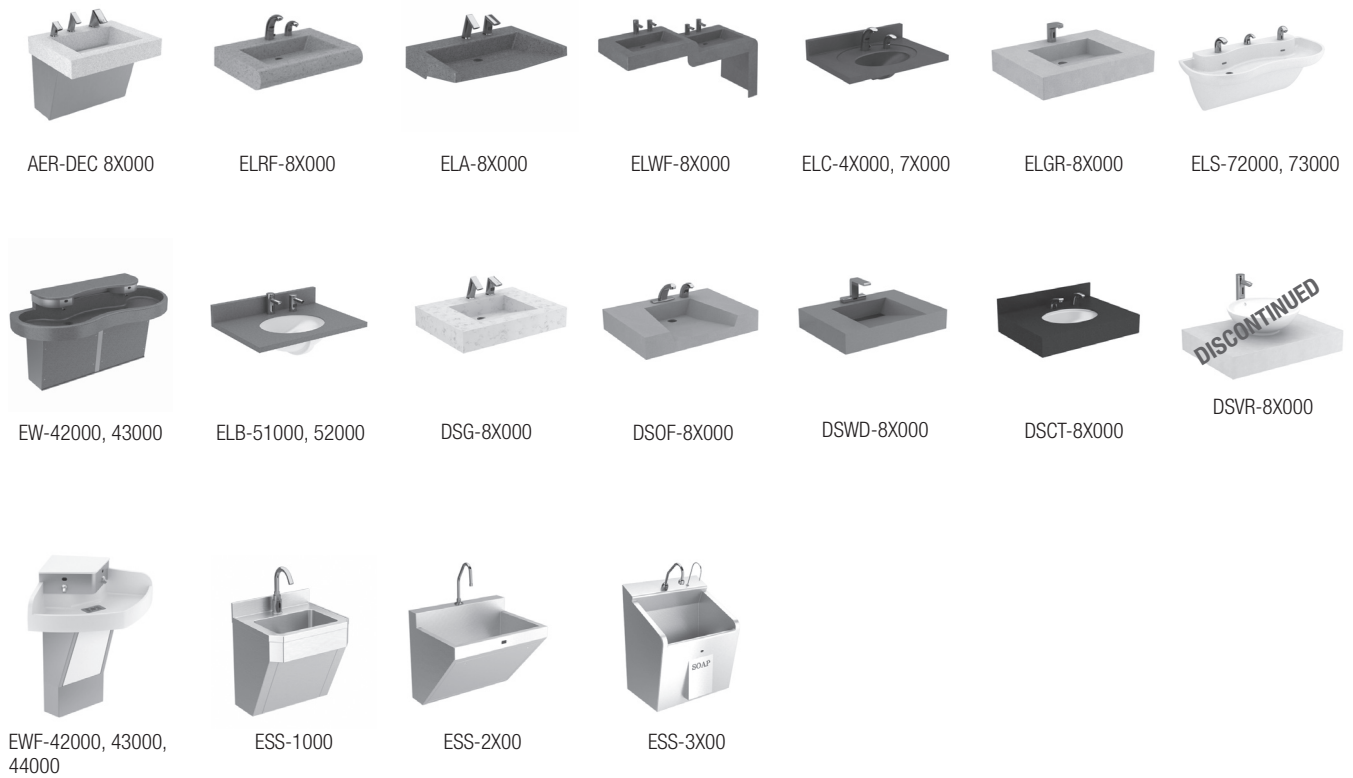


SS-3200

# Sink System, Soap Dispenser, Hand Dryer, and Showerhead Identification

IDENTIFY YOUR SLOAN MODEL AND CHOOSE REPLACEMENT PARTS FROM THE PAGES LISTED:

## Sink Systems (Pages 288-340)



## Soap Dispenser (Pages 341-346)



## Sink System, Soap Dispenser, Hand Dryer, and Showerhead Identification

---

IDENTIFY YOUR SLOAN MODEL AND CHOOSE REPLACEMENT PARTS FROM THE PAGES LISTED:

### Hand Dryer (Page 347)

---



EHD-502 Series

### Showerheads (Pages 348-349)

---



AC-11 Series



AC-51 Series



AC-450 Series



AC-460 Series

# FAUCET PRODUCT VARIATION SUFFIXES

ABBREVIATION	DEFINITION	ABBREVIATION	DEFINITION
0.35	0.35 gpm	IR	Infrared Sensor
0.5	0.5 gpm	ISM	Integrated Side Mixer, Integrated Side Mount Mixer
1	1.0 gpm	KIT	Kit
1.5	1.5 gpm	L. CONTL MOD	Less Control Module
2.2	2.2 gpm	L/BATT	Less Batteries
4	4 inch trim plate	L/LOGO	Less Logo
8	8 inch trim plate	LAM	Laminar
10S	10 second timeout	12S	12 second timeout LCM
LB	Less Battery	LCM	Less Control Module
4 in center	4 inch centerset	ADM	Above Deck Mechanical Mixing Valve, Above Deck Mixer
LESS TRIM	less Trim Plate	LF	Line Flush
AER	Aerated LINE	LINE FLSH NYP	Line Flush
ASM	Assembly	LINE FLUSH	Line Flush
B	Box Mount Transformer	LL	Less Logo
B BACKUP	Battery Back-Up	LP	Line Purge
BA	Buy America Act	LR	Long Range Sensor
BAA	Buy America Act	LT	Less Transformer
BAT B	Battery Back-Up	MB	Matte Black
MLM	Multi-Laminar Spray	BDM	Below Deck Mechanical Mixing Valve
NON	None - No Sprayhead	BDT	Below Deck Thermostatic Mixing Valve
P	Plug-In	BN	Brushed Nickel
PB	Polished Brass	PED	Pedestal Body Style
BOX	Box Adaptor or Transformer	CAP	Capacitance PLG Adapter Plug
Chek	Chek Tee	PRX	Proximity
CP	Polished Chrome, Finish Chrome Plated	PVDBN	PVD Brushed Nickel Finish
CT	Chek Tee	PVDMB	PVD Matte Black
DPU	Drain Pop Up	PVDPB	PVD Polished Brass Finish
EAF	Electronic Above-Deck Faucet	PVDSB	PVD Satin Brass Finish
EBF	Electronic Battery Faucet	PVDSF	PVD Brushed Stainless Finish
EFP	Electronic Faucet Part	S	Surgical (Hospital) Bend Spout
EFX	Electronic Faucet Generation X (BASYS)	SF	Sloan Faucet Product Family
EL 3500	EL 3500 Sensor	SF	Brushed Stainless
ETF	Electronic Transformer Faucet	EXT	Extension SOL Solar
SHR	Shower Shower Head Attached	F	Flow Restrictor TEE Back Check Tee
FCT	Faucet TUR Turbine	G'NECK	Gooseneck WS Wash Station
GOOSENECK	Gooseneck	H	Showerhead Type Spray Unit
HLP	Hardwired Less Plug	HLT	Hardwired Less Transformer
HW	Hardwired	IC	IC Click Feature
INT	Integrated Base	INTL	International Spec
IQ	IQ Click Feature		



## SLOANSTONE SINK PRODUCT VARIATION SUFFIXES

**SINKS VARIATIONS (40000/50000 Series)**

<b>AB</b>	Angle Bracket
<b>ADM</b>	Above Deck Mechanical Mixing Valve
<b>BDT</b>	Below Deck Thermostatic Mixing Valve
<b>DS</b>	Drain Shroud
<b>ESD</b>	Electronic Soap Dispenser
<b>FA</b>	Integrated Front Apron
<b>FL</b>	Floor Mounted
<b>FM</b>	Floor Mount Kit
<b>JVC</b>	Juvenile Height Cabinet
<b>LS</b>	Left Side Splash
<b>MSD</b>	Manual Soap Dispenser
<b>RS</b>	Right Side Splash

**VARIATIONS (Designer Series)**

<b>AB</b>	Angle Bracket
<b>ESD</b>	Electronic Soap Dispenser
<b>ENC</b>	Enclosure

**SINK COLORS (4000 Series)**

<b>AH</b>	Ash
<b>AM</b>	Amber
<b>IN</b>	Indigo
<b>JD</b>	Jade
<b>JT</b>	Jet
<b>PL</b>	Pearl
<b>SL</b>	Slate
<b>SS</b>	Sand
<b>TP</b>	Taupe

**SINK COLORS (60000/70000/80000 Series)**

<b>WH</b>	White
<b>CO</b>	Cameo
<b>BO</b>	Bone
<b>PH</b>	Peach
<b>AL</b>	Almond
<b>SH</b>	Shell
<b>PE</b>	Pea
<b>BI</b>	Biscuit
<b>MWH</b>	Matrix White
<b>MSI</b>	Matrix Silver
<b>MPI</b>	Matrix Pink
<b>MJA</b>	Matrix Jade
<b>MLG</b>	Matrix Light Gray
<b>MDG</b>	Matrix Dark Gray
<b>MGR</b>	Matrix Green
<b>MBR</b>	Matrix Brown
<b>MBO</b>	Matrix Bone
<b>MFR</b>	Matrix Frost
<b>MLB</b>	Matrix Light Blue
<b>MSA</b>	Matrix Sand
<b>MDB</b>	Matrix Dark Blue
<b>MDU</b>	Matrix Dusk
<b>MKH</b>	Matrix Khaki
<b>MSU</b>	Matrix Summit
<b>WNT</b>	Walnut/Riverstone

**SINK COLORS (Bio-Deck Series)**

<b>CC</b>	Corn Cob
<b>RM</b>	Rustic Maple
<b>G</b>	Grey
<b>JG</b>	Jade Green

**MIXING VALVES**

<b>ADM</b>	Above Deck Mixing Valve
<b>BDM</b>	Below Deck Mechanical Mixing Valve
<b>BDT</b>	Below Deck Thermostatic Mixing Valve
<b>Check/CT</b>	Check T
<b>ISM</b>	Integrated Side Mixing Valve

**FINISHES**

<b>CP</b>	Chrome Plated
<b>PVDBN</b>	Brushed Nickel Finish
<b>PVDPB</b>	Polished Brass Finish
<b>PVDSF</b>	Brushed Stainless Finish

**FAUCET FAMILY**

<b>EAF</b>	Electronic Above Deck Faucet
<b>EBF</b>	Electronic Battery Faucet
<b>ETF</b>	Electronic Transformer Faucet
<b>EFX</b>	Electronic Faucet Generation X (BASYS)
<b>SF</b>	Sloan Faucet

**MISCELLANEOUS**

<b>BAA/BA</b>	Buy American
<b>ASM</b>	Assembly
<b>DPU</b>	Drain Pop up
<b>Ext.</b>	Extension
<b>IC</b>	IC Click Feature
<b>INTL</b>	International Specification
<b>IQ</b>	IQ Click Feature
<b>KIT</b>	Kit
<b>L CONT MOD.</b>	Less Control Module
<b>L/LOGO, LL</b>	Less Logo
<b>LR</b>	Long Range Sensor
<b>WS</b>	Wash Station

## SloanStone® Identification

### IDENTIFY YOUR SLOANSTONE LAVATORY SINK:

Careful consideration was given to the naming convention for SloanStone® solid-surface lavatories. This page helps explain the logic behind the model names and will help you to be able to identify the product easily and consistently via the model numbers. Please take the time to look through the specification sheets and Sink System brochure to help you better understand the naming convention.

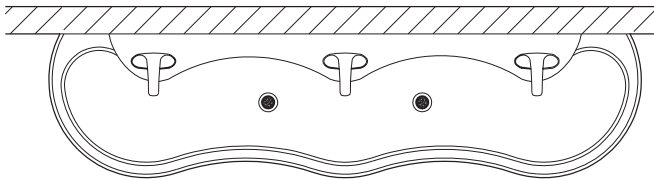
### THE PREFIX

Prefixes are used to identify the group/category of Bio-Deck and SloanStone solid-surface lavatory systems. Here are some ways to help you remember the group:

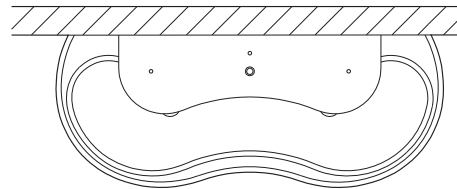
<b>ELS</b>	<b>Electronic Lavatory System</b>	These have a curved basin and Sloan faucets
<b>EW</b>	<b>Electronic Washstation</b>	These have a curved basin and an integrated EL-1500 sensor
<b>ELC</b>	<b>Electronic Lavatory Countertop</b>	These are flat lavatory decks with Sloan faucets
<b>EFW</b>	<b>Electronic Wash Fountain</b>	These have a square type basin and an integrated EL-1500 sensor
<b>ELB</b>	<b>Electronic Lavatory Bio-Deck</b>	These are flat lavatory decks made of biobased material with Sloan pedestal faucets

The sample images below show the various groups/categories of SloanStone lavatory systems

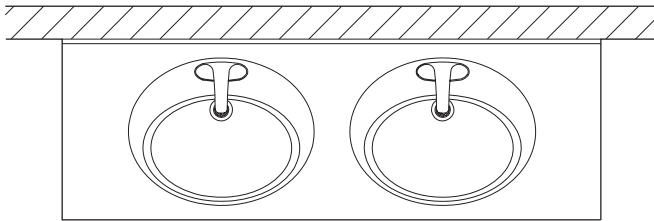
**ELS-43XXX/ELS-63XXX/ELS-73XXX**



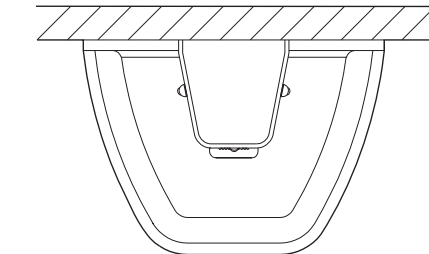
**EW-42000\***



**ELC-42XXX/ELC-72XXX/ELB-52XXX**



**EFW-43000\***



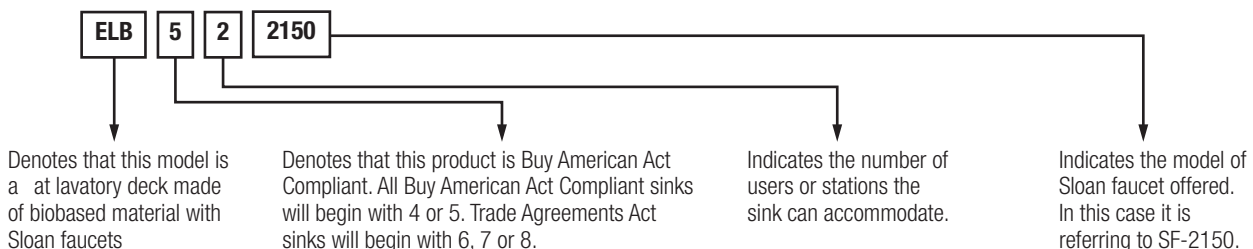
### THE NUMBERS

Numbers are used to identify the style of Bio-Deck and SloanStone solid-surface lavatory systems. Let's review the ELS-42650. This is a SloanStone, 2 station lavatory system with a curved basin and two Optima Plus® EBF-650 faucets. The first number is 4. The number 4 denotes the origin as United States. All SloanStone sinks with a 4 or 5 will be Buy American Act Compliant, while 6, 7 and 8 will comply with the Trade Agreements Act. The next number is 2. This number indicates the number of users the sink can service or the amount of stations, which vary from model to model. The next 3-4 digits are used to identify the Sloan faucet that is installed on the unit, or in some cases, to denote that there are not Sloan faucets on the lavatory system, in which case 000 will be the last three digits. **\*Both EW and EWF models will always end in 000.**

Let's break down the components of the **ELS-42650**.



Let's break down the components of the **ELB-522150**.



## Tools/Accessories

### Description

Sloan's A-50 Super-Wrench™ Smooth-jawed spud wrench for various Sloan components is the ideal tool to use when installing or servicing a Sloan Flushometer. Its smooth edges, solid construction and tight grip prevent damage to the valve's finely machined surfaces and plated finishes.

The 7-3/4" A-50 Super-Wrench combines the versatility of several tools into a single wrench. It is the ideal tool for anyone who regularly installs and services Flushometer valves.

### Specifications

Unique Super-Wrench is an ergonomic tool that offers good leverage and fast adjustments to Flushometers.

Superior tool for gripping, holding and bending  
Multiple wrenches in one Super-Wrench sized to fit the following Sloan parts:

- F-20
- B-40/H-582
- F-20/A-72/A-6
- H-579
- H-577
- H-573
- V-553



### Description

Sloan's A-109 Plier Wrench is the ideal tool to use when installing or servicing a Sloan Flushometer. It's smooth jaws and tight grip prevent damage to the valve's finely machined surfaces and plated finishes.

The 12" (305 mm) A-109 Plier Wrench combines the versatility of several pliers with the convenience of a wrench. It is the ideal tool for anyone who regularly installs and services Flushometers.

### Specifications

Unique Plier and Wrench in one ergonomic tool offers enormous leverage, fast adjustment, and the following features:

- Cam-action ratcheting mechanism
- 13 preset push button positions
- Maximum jaw capacity across flats: 2-3/8" (60 mm)
- Smooth parallel jaws prevent damage to chrome-plated and special finishes and soft fittings
- Memory button retains jaw opening size for repetitive work
- Self-locking mechanism
- Smooth box joint construction for greater strength
- Superior tool for gripping, holding and bending



### Description

Sloan's A-124 Strap Wrench is the ideal tool to use when installing or servicing Sloan's Optima® Plus Battery Operated Flushometers.

The A-124 Strap Wrench is completely adjustable for diameters 1-1/2" to 5" (38 mm to 127 mm). It is easy to use even in tight areas.

### Specifications

Urethane-covered belting attached to lightweight, i-beam handle offers industrial strength and the following features:

- Cam-action design permits uniform, high-torque application
- Belting will not scratch, damage or deform polished pipe and fittings under normal conditions
- Ideal for use on all Sloan Flushometers
- Works in the tightest quarters
- Can be ratcheted with one hand
- Prevents damage to chrome-plated and special finishes



### Description

Our new H-1018A Offset Adapter for G2, SOLIS®, and ECOS® Flushometers helps keep your facilities accessible. This unassuming adapter creates enough space for an ADA-compliant grab bar by lowering the total height of the flushometer by 1 1/2 inches without having to relocate the water supply inlet pipe. It's a simple update that saves your facility from the costs and complexities of opening walls or workarounds like split grab bars.

### Specifications

Solid chrome plated semi-red brass adapter offers the following features:

- Updates flushometers to enable ADA grab bar installation
- Avoids costly wall modifications
- Includes mud guard and flange for easy installation
- Extensively tested for optimal performance and pressure
- Durable, patent-pending design that's easy to maintain
- Available in finishes to match your existing flushometers, including Polished Chrome, Polished Brass, Brushed Nickel, Brushed Stainless, and Graphite
- Industry standard 1" NPT connection to the control stop

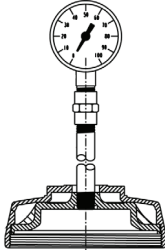


## Flushometer Pressure Gauges

Sloan Flushometer pressure gauges, for measuring static & approximate dynamic water pressure (flowing water pressure).

- **Sloan Diaphragm Flushometer Gauge A-115-A (0301141) for manual, 24/120 VAC solenoid operated & Hydraulic Diaphragm Flushometers**

Rough brass, diaphragm top outside cover, inside cover with attached RB tube w/pressure gauge. For reading static pressure and approximate dynamic (flow) pressure at the valve.



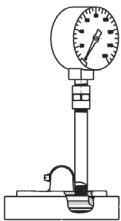
**Diaphragm Flushometer Pressure Gauge A-115-A**



**Optima® 8100 Series Flushometer Pressure Gauge EBV-375-A**

- **Sloan Optima® 8100 Series Flushometer Gauge, EBV-375-A (0325378) Works for all SLOAN diaphragm type flushometers since 1906.**

Chrome plated locking ring, nickel plated brass cover, attached RB tube w/pressure gauge. For reading static pressure and approximate dynamic (flow) pressure at the valve. For existing as well as new Sloan diaphragm Flushometers with top mounted sensor.



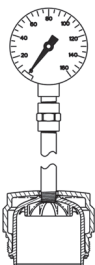
**Crown Piston Flushometer Pressure Gauge CR-150-A**



**GEM 2 Piston Flushometer Pressure Gauge G-150-A**

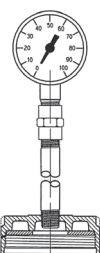
- **Sloan Crown Piston Flushometer Gauge CR-150-A (0332070) for CROWN and CROWN II flushometers since 2002.**

Rough brass cover, inside cover with attached RB tube w/pressure gauge. For reading static pressure and approximate dynamic (flow) pressure at the valve.



- **Sloan GEM2 Piston Flushometer Gauge G-150-A (0307214) for all GEM and GEM 2 flushometers made since 1929.**

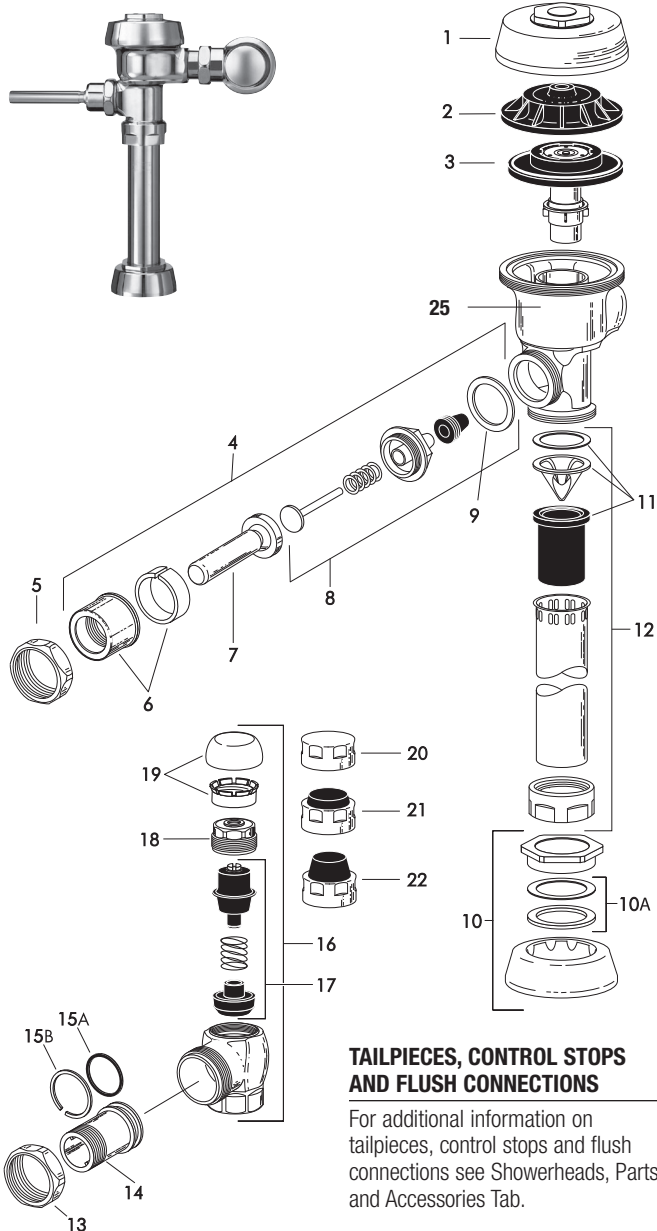
Chrome Plated brass cover and gasket, with attached RB tube w/pressure gauge. For reading static pressure and approximate dynamic (flow) pressure at the valve.



**Note: Flushometer Gauge NOT to remain on Flushometer**

\*\* Sloan uses a 160 PSI gauge fitted to pressure cap gauge assemblies. Plumbing system pressure shall not exceed 80 PSI; a 160 PSI gauge allows measuring plumbing systems that happen to be above the acceptable range without damaging the gauge; max pressure 160 PSI. Many building codes and the ASME A112.19.2 fixture standard list maximum static water pressure as 80 PSI (552 kPa).

# Royal® Flushometer



**TAILPIECES, CONTROL STOPS AND FLUSH CONNECTIONS**

For additional information on tailpieces, control stops and flush connections see Showerheads, Parts and Accessories Tab.

**ITEM 10A. SLIP JOINT GASKETS AND RINGS**

Size	Code No.	Part No.	Description
1-1/2"	<b>5306058</b>	F-3	Red Friction Ring
	<b>5322001</b>	VBF-5	Black Slip Joint Gasket
	<b>0319086/5319086</b>	S-30	Flexible Seat
	<b>0319079</b>	S-21	Rigid Seat (rubber over brass)
1-1/2" x 1-1/4"	<b>0396062</b>	F-105	Slip Joint Gasket – Rigid
1-1/4"	<b>5306057</b>	F-3	Red Friction Ring
	<b>5322176</b>	VBF-5	Black Slip Joint Gasket
	<b>0307052/5307052</b>	G-21	Rigid Seat (rubber over brass)
1"	<b>5306056</b>	F-3	Red Friction Ring
	<b>5306115</b>	F-5	Black Slip Joint Gasket
3/4"	<b>5306055</b>	F-3	Red Friction Ring
	<b>5306113</b>	F-5	Black Slip Joint Gasket

**PARTS LIST**

Item No.	Code No.	Part No.	Description
1.	<b>0301172PK</b>	A-72	CP Cover
	<b>0301435PK</b>	A-72-HE	CP High Efficiency Cover
2.	<b>0301168</b>	A-71	Inside Cover
	<b>0301336</b>	A-71-1	Inside Cover (Purple)
3.	—		Dual-Filtered Bypass Diaphragm Assembly (refer to table and diagram on following page)
4.	<b>0302390</b>	B-73-A	CP ADA-Compliant Triple Seal Handle Assembly
	<b>0302267</b>	B-73-A-PH	CP ADA-Compliant Triple Seal Handle Assembly
5.	<b>0301082</b>	A-6	CP Handle Coupling
6.	<b>0302109</b>	B-7-A	CP Socket Assembly
7.	<b>0302389</b>	B-74-A	CP ADA-Compliant Handle
	<b>0302264</b>	B-74-A-PH	CP ADA-Compliant Handle (Purple Handle)
8.	<b>3302306</b>	B-51-A	Triple Seal Handle Repair Kit
9.	<b>5301139</b>	A-31	Handle Gasket – 48 per package
10.	<b>0306125</b>	F-5-AW	3/4" (19 mm) CP Spud Coupling Assembly
	<b>0306140</b>	F-5-AU	1-1/4" (32 mm) CP Spud Coupling Assembly
	<b>0306146</b>	F-5-AT	1-1/2" (38 mm) CP Spud Coupling Assembly
10A.	<b>SEE SLIP JOINT GASKETS AND RINGS TABLE BELOW LEFT</b>		
11.	<b>3323182</b>	V-651-A	High Back Pressure Vacuum Breaker Repair Kit
12.	<b>3393004</b>	V-600-AA	3/4" (19 mm) x 9" (228 mm) CP Vacuum Breaker
	<b>3393006</b>	V-600-AA	1-1/4" (32 mm) x 9" (228 mm) CP Vacuum Breaker
	<b>3393007</b>	V-600-AA	1-1/2" (38 mm) x 9" (228 mm) CP Vacuum Breaker
13.	<b>0308676</b>	H-550	CP Stop Coupling
14.	<b>0308801</b>	H-551-A	CP Adjustable Tailpiece 2-1/16" (52 mm long) Standard Length*
15A.	<b>5308696</b>	H-553	O-ring – 24 per package
15B.	<b>5308381</b>	H-552	Locking Ring – 12 per package
16.	<b>3308386</b>	H-700-A	1" (25 mm) CP Bak-Chek® Screwdriver Stop
	<b>0388141</b>	H-700-A-RW	1" (25 mm) CP Bak-Chek® Screwdriver Stop
	<b>3308384</b>	H-700-A	3/4" (19 mm) CP Bak-Chek® Screwdriver Stop
	<b>0388142</b>	H-700-A-RW	3/4" (19 mm) CP Bak-Chek® Screwdriver Stop
17.	<b>3308853</b>	H-541-ASD	Control Stop Repair Kit †
	<b>3308856</b>	H-543-ASD	Control Stop Repair Kit †
18.	<b>0308612</b>	H-622	CP Bonnet †
	<b>0308892</b>	H-608-RW	CP Bonnet †
	<b>0308843</b>	H-577	CP Bonnet † – <b>DISCONTINUED</b>
19.	<b>3308772</b>	H-1010-A	Vandal Resistant Control Stop Cap Assembly †
	<b>3308790</b>	H-1009-A	Vandal Resistant Control Stop Cap Assembly † H-600 3/4" Stop only
20.	<b>0308738</b>	H-573	Control Stop Cap CP †
	<b>0308848</b>	H-582	Control Stop Cap CP †
21.	<b>3308866</b>	H-574	Control Stop Cap with Bumper † (-YO Variation)
22.	<b>3308867</b>	H-576	Control Stop Cap with Extended Bumper † (-YG Variation)
23.	<b>3388015</b>	H-1015	Flow Control Kit (not Shown) (HEU Only)
24.	<b>3308735</b>	H-634-AA-RW	1" (25 mm) Sweat Solder Kit w/ Cast Set Screw (Purple Flange not shown)
	<b>3308736</b>	H-636-AA-RW	3/4" (19 mm) Sweat Solder Kit w/ Cast Set Screw (Flange not shown)
25.	<b>3308785</b>	H-636-AA	1" (25 mm) Sweat Solder Kit w/ Cast Set Screw (Purple Flange not shown)
	<b>3308788</b>	H-636-AA	3/4" (19 mm) Sweat Solder Kit w/ Cast Set Screw (Flange not shown)
25.	<b>0301043PK</b>	A-3	CP Body no tail assembly (H-551-A)

\* See pages 102-103 for additional lengths

† For use with 1" and 3/4" H-700-A and 1" H-600-A Bak-Chek® screwdriver control stop

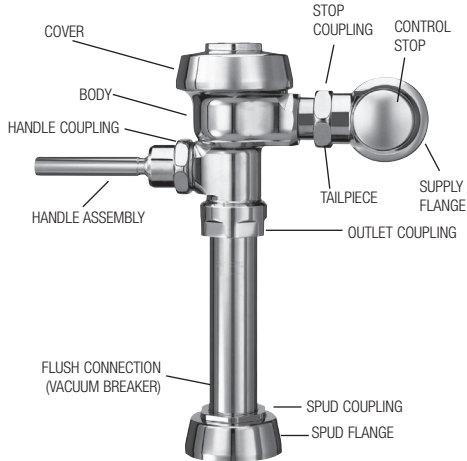
‡ For use with 3/4" H-600-A Bak-Chek® screwdriver control stop

RW for use with Reclaimed Water Flushometers

Sloan products are also available in satin, brushed nickel, chrome, gold and polished brass finishes – contact factory for part numbers.



## Royal® Flushometer



### DUAL-FILTERED DIAPHRAGM ASSEMBLY

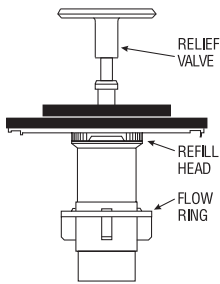
Available in diaphragm only and Royal® Performance™ Kits.

Royal® Performance™ Kit includes dual-filtered diaphragm assembly (item 3), handle repair kit with triple seal packing (item 8), high back pressure vacuum breaker repair kit (item 11), and one tailpiece O-ring (item 15A). DIAPHRAGM ONLY KIT contains "drop-in" dual-filtered diaphragm assembly (item 3) ONLY.

The dual-filtered diaphragm can be used in Royal®, Regal®, and similar diaphragm-style valve bodies. For use in Sloan valve bodies with a bell-shaped cover (manufactured before 1964), replace the bottom filter ring in these kits with a blue A-108 filter ring (not shown Sloan Code No. **5301283**).

NOTE: In January 1998, the Royal® diaphragm design was upgraded to a preassembled unit with two (2) plastic filtering rings attached to the rubber diaphragm (one on top and one on bottom). If the flushometer you are servicing has our older, segmented diaphragm with brass by-pass hole, refer to our Regal section for additional troubleshooting information.

### ROYAL® PERFORMANCE KIT



THE COLORS OF THE RELIEF VALVE AND THE REFILL HEAD PLUS THE SHAPE OF FLOW RING IDENTIFY THE FLUSH VOLUME OF A DUAL-FILTERED DIAPHRAGM ASSEMBLY.

Code No.	Relief Refill Part No.	Flow Description	Valve†	Head*	Ring
<b>3301070</b>	A-1101-A	Low Consumption Water Closets-1.6 gpf (6.0 Lpf)**	Green	Gray	Smooth
<b>3301071</b>	A-1102-A	Water Saver Water Closets-3.5 gpf (13.2 Lpf)**	White	Gray	Smooth
<b>3301072</b>	A-1103-A	9 Liter European Water Closets-2.4 gpf (9.0 Lpf)	Blue	Gray	Smooth
<b>3301073</b>	A-1106-A	Wash Down Urinals-0.5 gpf (1.9 Lpf)	Green	Black	Smooth
<b>3301074</b>	A-1107-A	Low Consumption Urinals-1.0 gpf (3.8 Lpf)**	Green	Black	Slotted
<b>3301075</b>	A-1108-A	Water Saver Urinals-1.5 gpf (5.7 Lpf)**	Black	Black	Smooth

\*CLOSET REFILL HEADS (GRAY) HAVE LARGER SLOTS THAN URINAL REFILL HEADS (BLACK).

### DIAPHRAGM ONLY KIT

Code No.	Part No.	Description	Relief Valve†	Refill Head*	Flow Ring
<b>3301502</b>	A-1041-A	Low Consumption Water Closets-1.6 gpf (6.0 Lpf)**	Green	Gray	Smooth
<b>3301501</b>	A-1038-A	Water Saver Water Closets-3.5 gpf (13.2 Lpf)**	White	Gray	Smooth
<b>3301505</b>	A-1044-A	9 Liter European Water Closets-2.4 gpf (9.0 Lpf)	Blue	Gray	Smooth
<b>3301504</b>	A-1043-A	Wash Down Urinals-0.5 gpf (1.9 Lpf)	Green	Black	Smooth
<b>3301503</b>	A-1042-A	Low Consumption Urinals-1.0 gpf (3.8 Lpf)**	Green	Black	Slotted
<b>3301500</b>	A-1037-A	Water Saver Urinals-1.5 gpf (5.7 Lpf)**	Black	Black	Smooth
<b>3301506</b>	A-1045-A	High-Efficiency Water Closets-1.28 gpf (4.8 Lpf)	Blue	Gray	Smooth
<b>3301142</b>	A-1047-A	High-Efficiency Urinals-0.25 gpf (1.0 Lpf) with White Inserts	White	HEU Black	Smooth
<b>3301143</b>	A-1050-A	High-Efficiency Urinals-0.125 gpf (0.5 Lpf) with White Inserts	Blue	HEU Black	Smooth
<b>3301594</b>	A-1075-A-BX	High-Efficiency Water Closets-1.28 gpf (4.8 Lpf) RW	Blue	Black	Smooth
<b>3301592</b>	A-1073-A-BX	High-Efficiency Urinals-0.5 gpf (1.9 Lpf) RW	Green	Black	Smooth + Slotted
<b>3301591</b>	A-1077-A-BX	High-Efficiency Urinals-0.25 gpf (1.0 Lpf) RW	White	HEU Black	Smooth
<b>3301590</b>	A-1070-A-BX	High-Efficiency Urinals-0.125 gpf (0.5 Lpf) RW	Blue	HEU Black	Smooth

† Consult factory for availability of replacement plastic relief valves (green, black, blue, and white) and brass relief valves.

NOTE: For older water closets that require 4.5 gpf (17.0 Lpf), choose kits A-1102-A or A-1038-A, but remove the flow ring before use. For blowout-style urinals that require 3.5 gpf (13.2 Lpf), choose kits A-1102-A or A-1038-A. For service sinks that require 6.5 gpf (24.6 Lpf), order A-36-A diaphragm repair kit (not shown Sloan Code No. **3301036**) and remove the flow ring before use. Regulations for low consumption fixtures prohibit the use of higher flush volumes.

\*CLOSET REFILL HEADS (GRAY) HAVE LARGER SLOTS THAN URINAL REFILL HEADS (BLACK).

\*\* WATER SAVER (3.5 GPF CLOSET AND 1.5 GPF URINAL) AND LOW CONSUMPTION (1.6 GPF CLOSET AND 1.0 GPF URINAL) FIXTURES MUST USE MATCHING GPF (LPF) DIAPHRAGM KITS; USING A SMALLER GPF (LPF) KIT IN FIXTURES NOT INTENDED FOR LESS VOLUME WILL RESULT IN INADEQUATE DILUTION IN URINALS AND IMPROPER EVACUATION IN CLOSETS.

RW for use with Reclaimed Water Flushometers.

### ROYAL® TUNE UP KIT

Code No.	Part No.	Description
<b>3301184</b>	A1121-A	Tune-up Kit (1.6 gpf/6.0 Lpf) Closet
<b>3301185</b>	A1122-A	Tune-up Kit (3.5 gpf/13.2 Lpf) Closet
<b>3301187</b>	A1125-A	Tune-up Kit (1.28 gpf/4.8 Lpf) Closet
<b>3301188</b>	A1126-A	Tune-up Kit (0.125 gpf/0.5 Lpf) Urinal
<b>3301189</b>	A1127-A	Tune-up Kit (1.0 gpf/3.8 Lpf) Urinal
<b>3301190</b>	A1128-A	Tune-up Kit (1.5 gpf/5.7 Lpf) Urinal
<b>3301191</b>	A1129-A	Tune-up Kit (0.25 gpf/1.0 Lpf) Urinal

Includes Dual-Filtered Diaphragm Assembly, B-51-A Handle Repair Kit, H-553 O'ring, V-651-A High Back Pressure Vacuum Breaker Repair Kit, A-71 Inside Plastic Cover.

## Royal® Flushometer

### TROUBLESHOOTING GUIDE

**ATTENTION INSTALLERS:** With the exception of the control stop inlet, **DO NOT USE** pipe sealant or plumbing grease on any valve component or coupling! To protect the chrome or special finish of Sloan flushometers, **DO NOT USE** toothed tools to install or service these valves. Use our A-50 Super-Wrench or other smooth-jawed wrench to secure couplings. Regulations for low consumption fixtures (1.6 gpf/6.0 Lpf closets and 1.0 gpf/3.8 Lpf urinals) prohibit use of higher flush volumes.

#### 1. Flushometer does not function (no flush).

- Control stop or main supply valve is closed. Open control stop or main supply valve.
- Handle assembly is damaged. Replace B-73-A handle or repair with B-51-A handle repair kit.
- Relief valve is damaged. Replace relief valve.

#### 2. Handle leaks.

- Handle seal or handle assembly is damaged. Replace B-73-A handle or repair with B-51-A handle repair kit.

#### 3. Water splashes from fixture.

- Control stop is open wider than necessary. Adjust control stop for desired delivery of water volume.
- Water saver/conventional diaphragm assembly is installed on low consumption fixture or closet diaphragm assembly is installed on urinal fixture. Determine the required flush volume (see label on valve or markings on fixture). Replace diaphragm assembly or relief valve for appropriate flush volume of fixture.

#### 4. Volume of water is insufficient to adequately siphon fixture.

- Control stop is not open wide enough. Adjust control stop for desired delivery of water volume.
- Diaphragm assembly is damaged. Replace diaphragm assembly.
- Low consumption diaphragm assembly is installed on water saver/conventional fixture or urinal diaphragm assembly is installed on closet fixture. Determine the required flush volume (see label on valve or markings on fixture). Replace diaphragm assembly or relief valve for appropriate flush volume of fixture.
- Inadequate water volume or pressure is available from supply. Increase flow rate or pressure to the valve. If gauges are not available to measure supply pressure/volume, remove relief valve from diaphragm assembly and open the control stop.

If the fixture siphons: Additional water volume is required. Install higher flushing volume relief valve or diaphragm assembly or cut flow ring from guide. **IMPORTANT: LAWS AND REGULATIONS PROHIBIT THE USE OF HIGHER FLUSHING VOLUMES THAN LISTED ON FIXTURE OR FLUSHOMETER.**

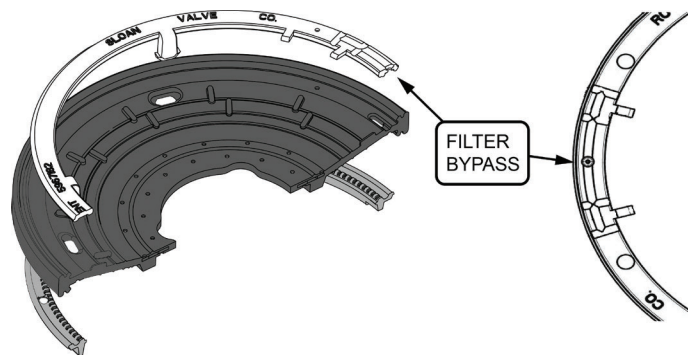
If the fixture **DOES NOT** siphon (or a low consumption flush is required): Additional steps must be taken to increase the water pressure and/or volume at the water supply. Contact fixture manufacturer for minimum supply requirements of fixture.

#### 5. Flushometer valve closes immediately (short flush).

- Worn or damaged diaphragm assembly. Replace diaphragm assembly.
- Handle assembly is damaged. Replace B-73-A handle or repair with B-51-A handle repair kit.
- Low consumption diaphragm assembly is installed on water saver/conventional fixture or urinal diaphragm assembly is installed on closet fixture. Determine the required flush volume (see label on valve or markings on fixture). Replace relief valve or diaphragm assembly for appropriate flush volume of fixture.

#### 6. Length of flush is too long (long flush) or fails to shut off.

- Bypass hole (upper filter ring) of diaphragm assembly is dirty. Remove the diaphragm assembly. Disassemble the filter rings from the diaphragm, wash under running water, and reassemble. Replace as necessary.



- Relief valve or diaphragm assembly is damaged. Replace relief valve or diaphragm assembly.
- Water saver/conventional diaphragm assembly is installed on low consumption fixture or closet diaphragm assembly is installed on urinal fixture. Determine the required flush volume (see label on valve or markings on fixture). Replace diaphragm assembly or relief valve for appropriate flush volume of fixture.
- Inside cover is damaged. Install new A-71 part.
- Line water pressure dropped and is insufficient to close valve. Close the control stop until pressure is restored.
- Relief valve is not seated properly. Disassemble diaphragm components (relief valve, filter rings, and diaphragm unit), wash under running water, and reassemble. Replace as necessary.

#### 7. Chattering noise is heard during flush.

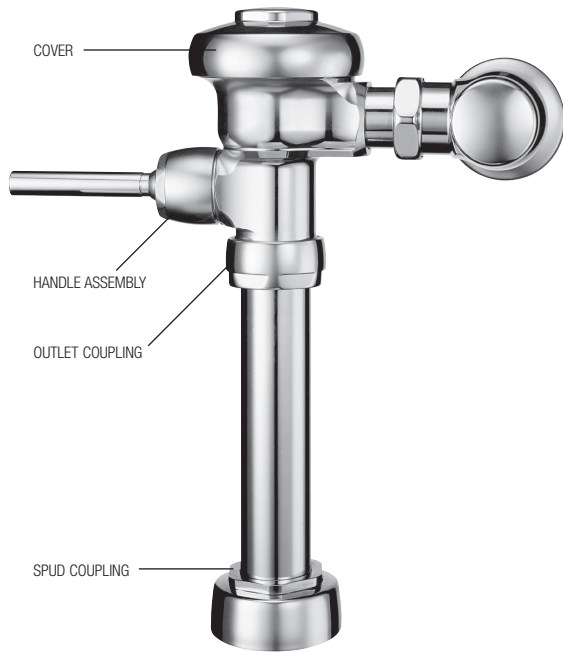
- Inside cover is damaged. Install new A-71 part.
- Relief valve or diaphragm assembly is damaged. Replace relief valve or diaphragm assembly.

### CARE AND CLEANING INSTRUCTIONS

**DO NOT USE** abrasive or chemical cleaners to clean flushometers that may dull the luster and attack the chrome or decorative finish. Use **ONLY** mild soap and water, then wipe dry with a clean towel or cloth. When cleaning the bathroom tile, protect the flushometer from any splattering of cleaner. Acids and cleaning fluids can discolor or remove chrome plating.

**When assistance is required, please contact  
Sloan Technical Support at: 1-888-SLOAN-14 (1-888-756-2614).**

## Royal II® Flushometer



The Royal II® flushometer offers everything the Royal® has – and more. **PLEASE REFER TO THE ROYAL® SECTION** for all maintenance issues on the Royal II, with the exceptions noted in the chart below.

Royal II®'s new handle is a one-piece design for smoother lines. Its aesthetic cover accentuates the Royal II®'s new design, and the new vacuum breaker couplings and flange add the finishing touches.

### PARTS LIST

Code No.	Part No.	Description
0301298	A-206	Royal II® Cover
0302375	B-95-A	Royal II® Handle Assembly
0306145	F-56-A	Royal II® Spud Coupling Assembly 1-1/2" CP
0306128	F-57-A	Royal II® Spud Coupling Assembly 3/4" CP
0306127	F-58-A	Royal II® Spud Coupling Assembly 1-1/4" CP
0323369	V-572	Royal II® Coupling CP

**AVAILABLE AS A COMPLETE ASSEMBLY.  
REPAIR PARTS REMAIN AVAILABLE  
FOR A LIMITED TIME.**

## Continental® Flushometer



The Continental® flushometer is part of the Sloan flushometer designer series, and offers proven Royal® performance – and more. **PLEASE REFER TO THE ROYAL® SECTION** for all maintenance issues on the Continental®, with the exceptions noted in the chart below.

Continental®'s sleek styling make it ideal for many applications.

### PARTS LIST

Code No.	Part No.	Description
0301077	A-4	Continental® Cover
0301221	A-71	Continental® Inside Cover

### SLIP JOINT GASKETS AND RINGS

For additional information on Slip Joint Gaskets and Rings see Item 10A table at bottom of page 15.

**AVAILABLE AS A COMPLETE ASSEMBLY.  
REPAIR PARTS REMAIN AVAILABLE  
FOR A LIMITED TIME.**

\* Limited complete assemblies still available.



## UPPERCUT® Dual-flush Flushometer



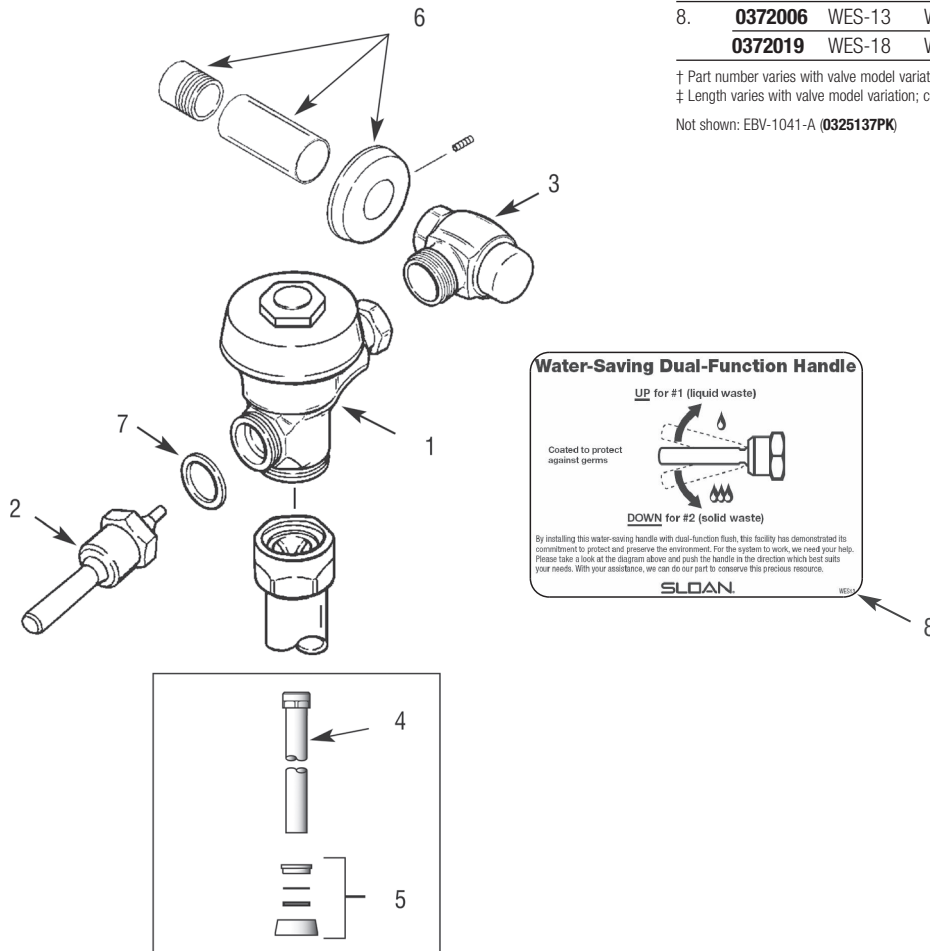
### PARTS LIST

Item No.	Code No.	Part No.	Description
1.	—	†	Valve Assembly
2.	<b>3372003</b>	WES-212	ADA Compliant Dual-Flush Handle
	<b>3372010</b>	WES-212	ADA Compliant Dual-Flush Handle (Spanish)
3.	<b>3308386</b>	H-700-A	Bak-Chek® Control Stop
4.	<b>3393007</b>	V-600-AA	1-1/2" (38 mm) x 9" (229 mm) Vacuum Breaker Assembly ‡
5.	<b>0306146</b>	F-5-AT	1-1/2" (38 mm) Spud Coupling Assembly
6.	<b>3308782</b>	H-633-AA	1" (25 mm) CP Sweat Solder Kit with Cast Set Screw Flange
7.	<b>5301139</b>	A-31	Handle Gasket – 48 per package
8.	<b>0372006</b>	WES-13	Wall Plate (English)
	<b>0372019</b>	WES-18	Wall Plate (Spanish)

† Part number varies with valve model variation; consult factory.

‡ Length varies with valve model variation; consult factory.

Not shown: EBV-1041-A (**0325137PK**)



**Water-Saving Dual-Function Handle**

UP for #1 (liquid waste)

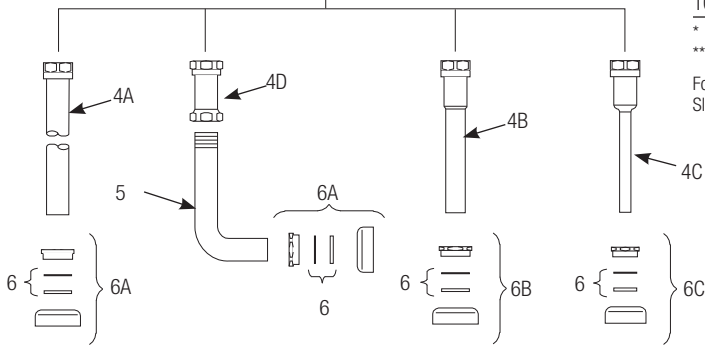
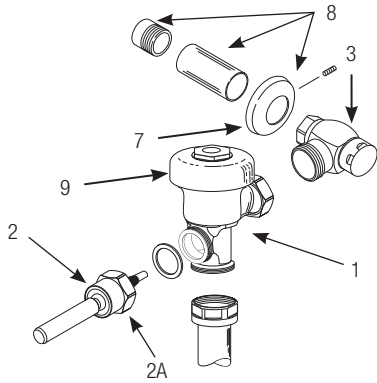
Coated to protect against germs

DOWN for #2 (solid waste)

By installing this water-saving handle with dual-function flush, this facility has demonstrated its commitment to protect and preserve the environment. For the system to work, we need your help. Please take a look at the diagram above and push the handle in the direction which best suits your needs. With your assistance, we can do our part to conserve this precious resource.

**SLOAN.**

## Sloan® Flushometer



### PARTS LIST

Item No.	Code No.	Part No.	Description
1.	—	A-3-A	Valve Assembly – contact Tech Support for proper assembly
2.	<b>0302390</b>	B-73-A	ADA Compliant Handle Assembly
2A.	<b>0301082</b>	A-6	CP Handle Coupling
3.	—	H-710-A	Bak-Chek® Control Stop – 3/4" or 1"
4A.	<b>5323007</b>	V-500-AA	1-1/2" (38 mm) x 9" (229 mm) Vacuum Breaker Assembly ** – 6 per package
4B.	<b>5323006</b>	V-500-AA	1-1/4" (32 mm) x 9" (229 mm) Vacuum Breaker Assembly – 6 per package
4C.	<b>5323005</b>	V-500-AA	3/4" (19 mm) x 9" (229 mm) Vacuum Breaker Assembly – 6 per package
4D.	—	V-500-A	Vacuum Breaker Assembly
5.	<b>0396293</b>	F-109	1-1/2" (38 mm) Elbow Flush Connection
6.	<b>SEE SLIP JOINT GASKETS AND RINGS TABLE BELOW</b>		
6A.	<b>0306145</b>	F-56-A	1-1/2" (38 mm) Spud Coupling Assembly
6B.	<b>0306142</b>	F-55-A	1-1/4" (32 mm) Spud Coupling Assembly
6C.	<b>0306102</b>	F-54-A	3/4" (19 mm) Spud Coupling Assembly
7.	—	F-7	Supply Flange (Supplied when Valve is not Ordered with Sweat Solder Kit)
8.	<b>3308782</b>	H-633-AA	1" (25 mm) Sweat Solder Kit with Cast Set Screw Flange
	<b>3308788</b>	H-636-AA	3/4" (19 mm) Sweat Solder Kit with Cast Set Screw Flange
9.	<b>0378000PK</b>	SV-10	CP Sloan Cover
	<b>0378003PK</b>	SV-10-HE	CP High Efficiency Sloan Cover
10.	<b>3388015</b>	H-1015	Flow Control Kit (not Shown)(HEU Only)

\* Part number varies with valve model variation; consult factory.

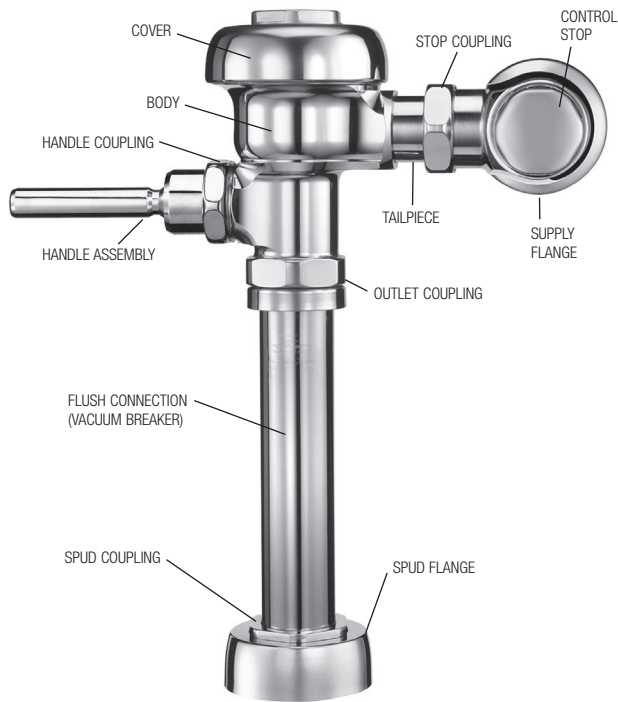
\*\* Length varies with valve model variation; consult factory.

For optimum water conservation and flushometer performance, use only Genuine Sloan Parts.

### ITEM 6. SLIP JOINT GASKETS AND RINGS

Size	Code No.	Part No.	Description
1-1/2"	<b>5306058</b>	F-3	Red Friction Ring
	<b>5322001</b>	VBF-5	Black Slip Joint Gasket
	<b>0319086/5319086</b>	S-30	Flexible Seat
	<b>0319079</b>	S-21	Rigid Seat (rubber over brass)
1-1/2" x 1-1/4"	<b>0396062</b>	F-105	Slip Joint Gasket – Rigid
1-1/4"	<b>5306057</b>	F-3	Red Friction Ring
	<b>5322176</b>	VBF-5	Black Slip Joint Gasket
	<b>0307052/5307052</b>	G-21	Rigid Seat (rubber over brass)
1"	<b>5306056</b>	F-3	Red Friction Ring
	<b>5306115</b>	F-5	Black Slip Joint Gasket
3/4"	<b>5306055</b>	F-3	Red Friction Ring
	<b>5306113</b>	F-5	Black Slip Joint Gasket

## Sloan® Flushometer



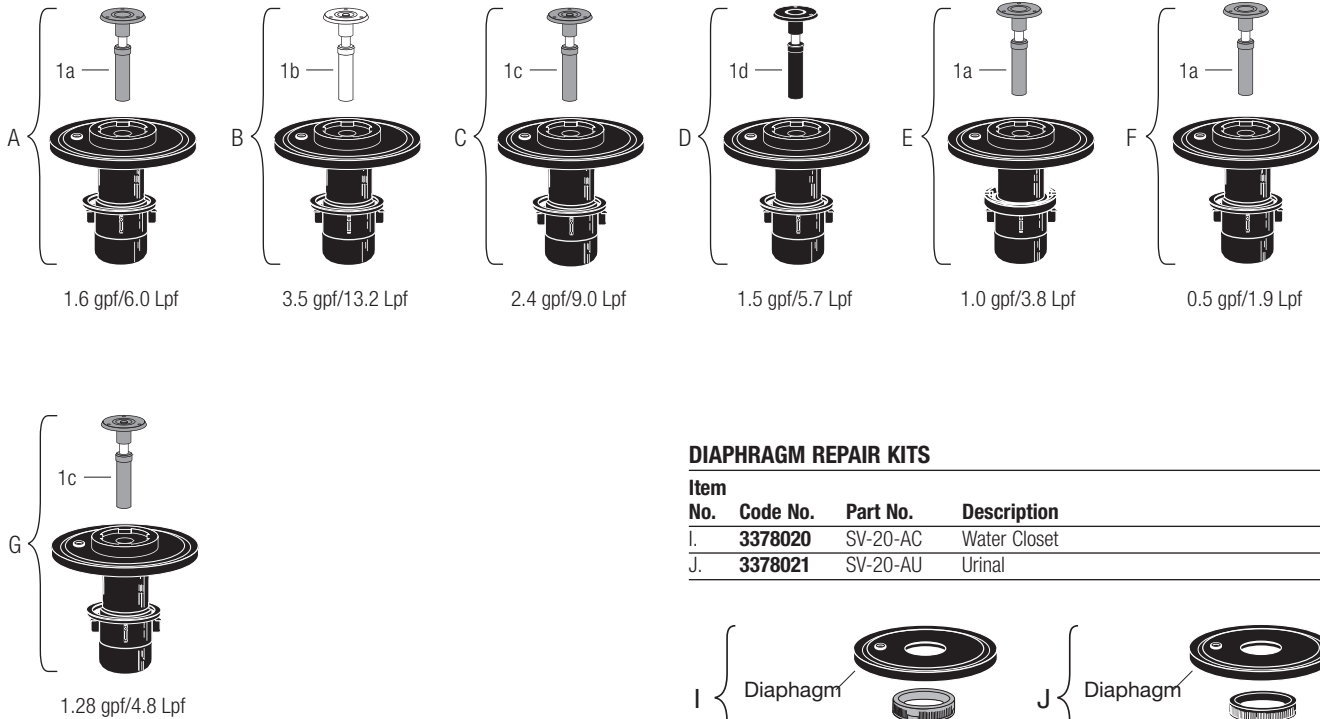
### DIAPHRAGM INSIDE PARTS KITS (SEE ILLUSTRATION BELOW)

Refer to Parts List. Includes Relief Valve and Diaphragm Assembly

Item No.	Code No.	Part No.	Application
A.	<b>3378041</b>	SV-41-A	1.6 gpf/6.0 Lpf - Closet
B.	<b>3378038</b>	SV-38-A	3.5 gpf/13.2 Lpf - Closet
C.	<b>3378044</b>	SV-44-A	2.4 gpf/9.0 Lpf - Closet
D.	<b>3378037</b>	SV-37-A	1.5 gpf/5.7 Lpf - Urinal
E.	<b>3378042</b>	SV-42-A	1.0 gpf/3.8 Lpf - Urinal
F.	<b>3378043</b>	SV-43-A	0.5 gpf/1.9 Lpf - Urinal
G.	<b>3378047</b>	SV-47-A	1.28 gpf/4.8 Lpf - Closet

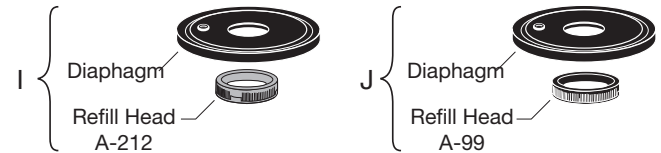
### INSIDE COMPONENTS

Item No.	Code No.	Part No.	Description
1a.	<b>5301211</b>	A-19-ALC	Relief Valve, Green (Closet/Urinal-LC) – 12 per package
1b.	<b>5301058</b>	A-19-AC	Relief Valve, White (Closet) – 12 per package
1c.	<b>0301143</b>	A-19-AL	Relief Valve, Blue (9 Liter Closet)
1d.	<b>5301059</b>	A-19-AU	Relief Valve, Black (Urinal) – 12 per package



### DIAPHRAGM REPAIR KITS

Item No.	Code No.	Part No.	Description
I.	<b>3378020</b>	SV-20-AC	Water Closet
J.	<b>3378021</b>	SV-20-AU	Urinal



## Sloan® Flushometer

### TROUBLESHOOTING GUIDE

**ATTENTION INSTALLERS:** With the exception of the control stop inlet, **DO NOT USE** pipe sealant or plumbing grease on any valve component or coupling! To protect the chrome or special finish of Sloan flushometers, **DO NOT USE** toothed tools to install or service these valves. Use our A-50 Super-Wrench or other smooth-jawed wrench to secure couplings. Regulations for low consumption fixtures (1.6 gpf/6.0 Lpf closets and 1.0 gpf/3.8 Lpf urinals) prohibit use of higher flush volumes.

#### 1. Flushometer DOES NOT function (no flush).

- A. Control stop or main valve is closed. Open control stop or main valve.
- B. Handle assembly is worn. Install handle repair kit or replace handle assembly.
- C. Relief valve is worn. Replace inside parts kit.

#### 2. Insufficient volume of water to adequately siphon fixture.

- A. Control stop not open enough. Adjust control stop for desired delivery of water volume.
- B. Urinal flushometer Parts inside a Closet flushometer. Replace inside urinal parts with proper closet flushometer parts.
- C. Low consumption flushometer installed on a non-low consumption fixture. Replace inside parts kit with water saver kit.
- D. Water saver kit installed in old, non-water saver bowl. Position refill head so that SIDE 1 is in the UP position.
- E. Water supply volume or pressure is inadequate. If no gauges are available to properly measure supply pressure or volume of water at the flushometer, then remove the relief valve from the inside parts kit, reassemble the flushometer and completely open the control stop.
  - If the fixture siphons, more water volume is required. If a 3.5 gpf inside parts kit is installed in the flushometer, then first flip the refill head (under the diaphragm) to obtain a 4.5 gpf volume. If this volume is still inadequate, remove the flow ring from the guide to obtain a 6.5 gpf kit. If additional flow is still required, try a low pressure guide kit. **IMPORTANT: LAWS AND REGULATIONS PROHIBIT THE USE OF HIGHER FLUSHING VOLUMES THAN LISTED ON FIXTURE OR FLUSHOMETER.**
  - If fixture does not siphon or if a Low Consumption fixture is installed, or if the above steps do not prove satisfactory, steps must be taken to increase the water supply pressure and/or volume. Contact the fixture manufacturer for minimum water supply requirements of the fixture.

#### 3. Flushometer closes off immediately.

- A. Ruptured or damaged diaphragm. Replace inside parts kit.
- B. Enlarged bypass orifice from corrosion or damage. Replace inside parts kit.

#### 4. Length of flush is too short (short flushing).

- A. Diaphragm assembly and guide assembly are not hand-tight. Screw the two assemblies hand-tight.
- B. Enlarged bypass orifice from corrosion or damage. Replace inside parts kit.
- C. Urinal flushometer parts inside a closet flushometer. Replace inside urinal parts with proper closet flushometer parts.
- D. Low consumption flushometer installed on a higher consumption fixture. Replace inside parts kit with water saver kit.
- E. Handle assembly is damaged. Replace handle.

#### 5. Length of flush is too long (long flushing) or continuous.

- A. Relief valve is not seating properly or bypass orifice is clogged because of foreign material, or bypass orifice is closed by an invisible gelatinous film from "over-treated" water. Disassemble the working parts and wash thoroughly.

NOTE: SIZE OF ORIFICE IN THE BY-PASS IS EXTREMELY IMPORTANT FOR PROPER METERING OF WATER INTO THE UPPER CHAMBER OF THE FLUSHOMETER. DO NOT ENLARGE OR DAMAGE THIS ORIFICE. REPLACE INSIDE KIT IF CLEANING DOES NOT CORRECT PROBLEM.

- B. Supply line water pressure has dropped and is not sufficient to close the valve. Close control stop until pressure has been restored.
- C. Closet flushometer parts inside an urinal flushometer. Replace Inside closet parts with proper urinal flushometer parts.
- D. Inside cover is damaged. Replace inside cover.

#### 6. Chattering noise is heard during flush.

- A. The segment diaphragm is installed upside-down. Replace the segment diaphragm to the proper position as instructed by markings on the diaphragm.
- B. Inside cover is damaged. Replace inside cover.

#### 7. Handle Leaks.

- A. Handle gasket, seal or assembly is damaged. Replace as required.

### CARE AND CLEANING INSTRUCTIONS

**DO NOT USE** abrasive or chemical cleaners (including chlorine bleach) to clean flushometers that may dull the luster and attack the chrome or special decorative finishes. Use **ONLY** mild soap and water, then wipe dry with a clean towel or cloth.

While cleaning the bathroom tile, protect the flushometer from any splattering of cleaner. Acids and cleaning fluids will discolor or remove chrome plating.

**When assistance is required, please contact**

**Sloan Technical Support at: 1-888-SLOAN-14 (1-888-756-2614).**

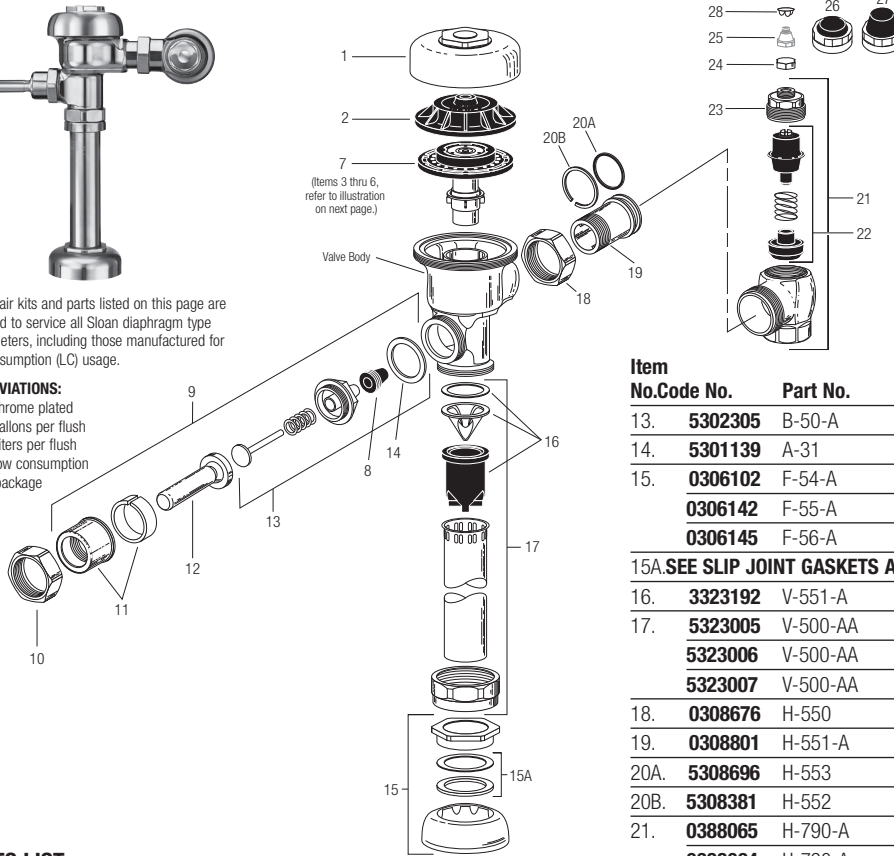
# Regal® Flushometer

NOTE: Also for use with Regal® XL  
(Since mid-2010)



The repair kits and parts listed on this page are designed to service all Sloan diaphragm type flushometers, including those manufactured for low consumption (LC) usage.

**ABBREVIATIONS:**  
CP = Chrome plated  
gpf = gallons per flush  
Lpf = Liters per flush  
LC = Low consumption  
pkg = package



## TAILPIECES, CONTROL STOPS AND FLUSH CONNECTIONS

For additional information on tailpieces, control stops and flush connections see Showerheads, Parts and Accessories Tab.

### PARTS LIST

Item No.	Code No.	Part No.	Description
1.	0317004	R-10	CP Cover
	—	R-10-HE	CP High Efficiency Cover
2.	0301168	A-71	Inside Cover
<b>SEE ITEMS 3A THROUGH 6E IN CHART ON NEXT PAGE</b>			
3A.	5301058	A-19-AC	Relief Valve, White (Closet) – 12 per package
3B.	5301059	A-19-AU	Relief Valve, Black (Urinal) – 12 per package
3C.	5301211	A-19-ALC	Relief Valve, Green (Closet/Urinal-LC) – 12 per package
3D.	0301143	A-19-AL	Relief Valve, Blue (9 Liter Closet)
4.	5301111	A-15-A	Disc – for all Inside Parts Kits – 12 per package
5.	5301188	A-156-A	Diaphragm – for all Inside Parts Kits – 12 per package
6A.	5301236	A-163-A	Guide Assembly 4.5 gpf/17.0 Lpf Closet & 1.5 gpf/5.7 Lpf Urinal – 12 per package
6B.	5301032	A-152-A	Guide Assembly 3.5 gpf/13.2 Lpf Closet – 12 per package
6C.	5301031	A-151-A	Guide Assembly 1.6 gpf/6.0 Lpf LC Closet – 12 per package
6D.	5301155	A-155-A	Guide Assembly 1.0 gpf/3.8 Lpf LC Urinal – 12 per package
6E.	5301157	A-157-A	Guide Assembly 0.5 gpf/1.9 Lpf Urinal – 12 per package
7.	<b>SEE INSIDE PARTS KITS CHART ON NEXT PAGE</b>		
8.	5302297	B-39	Seal – 12 per package
9.	5302279	B-32-A	CP Handle Assembly – 6 per package
	0302390	B-73-A	CP Handicap Handle Assembly (ADA Compliant)
10.	0301082	A-6	CP Handle Coupling
11.	0302109	B-7-A	CP Socket Assembly
12.	5302274	B-32	CP Handle Grip – 12 per package
	0302389	B-74-A	CP Handicap Handle Grip (ADA Compliant)

### Item

No.	Code No.	Part No.	Description
13.	5302305	B-50-A	Handle Repair Kit – 6 per package
14.	5301139	A-31	Handle Gasket – 48 per package
15.	0306102	F-54-A	3/4" CP Spud Coupling Assembly
	0306142	F-55-A	1-1/4" CP Spud Coupling Assembly
	0306145	F-56-A	1-1/2" CP Spud Coupling Assembly
<b>15A. SEE SLIP JOINT GASKETS AND RINGS TABLE BELOW</b>			
16.	3323192	V-551-A	Vacuum Breaker Repair Kit
17.	5323005	V-500-AA	3/4" x 9" CP Vacuum Breaker – 6 per package
	5323006	V-500-AA	1-1/4" x 9" CP Vacuum Breaker – 6 per package
	5323007	V-500-AA	1-1/2" x 9" CP Vacuum Breaker – 6 per package
18.	0308676	H-550	CP Stop Coupling †
19.	0308801	H-551-A	CP Adjustable Tailpiece 2-1/16" long †
20A.	5308696	H-553	O-ring – 24 per package
20B.	5308381	H-552	Locking ring – 12 per package
21.	0388065	H-790-A	1" Screwdriver Bak-Chek® Stop CP – complete
	0388064	H-790-A	3/4" Screwdriver Bak-Chek® Stop CP – complete
	0388029	H-740-A	1" Screwdriver Bak-Chek® Stop CP – <b>DISCONTINUED</b>
	0388031	H-740-A	3/4" Screwdriver Bak-Chek® Stop CP – <b>DISCONTINUED</b>
22.	3308853	H-541-ASD	1" Control Stop Repair Kit *
	3308856	H-543-ASD	3/4" Control Stop Repair Kit **
23.	0308612	H-622	CP Bonnet (Current Regal)
	0308991	H-639	CP Bonnet – Pre 2010 Regal Stops*
	0308601	H-538	CP Bonnet ** – <b>DISCONTINUED</b>
24.	5388001	H-1012-A	CP Cap – 6 per package VP
25.	5310034	J-2/J-7	Bumper Assembly – 6 per package – <b>DISCONTINUED</b>
26.	3308866	H-574	Stop Cap, chrome plated with Seat Bumper (-YO)
27.	3308867	H-576	Stop Cap, chrome plated with Extended Seat Bumper (-YG)
28.	5388002	H-528	Hole Plug
29.	3388015	H-1015	Flow Control Kit (HEU Only) (not Shown)

† See pages 100-101 for additional lengths

\*For use with 1" and 3/4" H-740-A CP (less cap) and 1" – H-540-A CP (with H-37 cap) Bak-Chek® screwdriver control stops

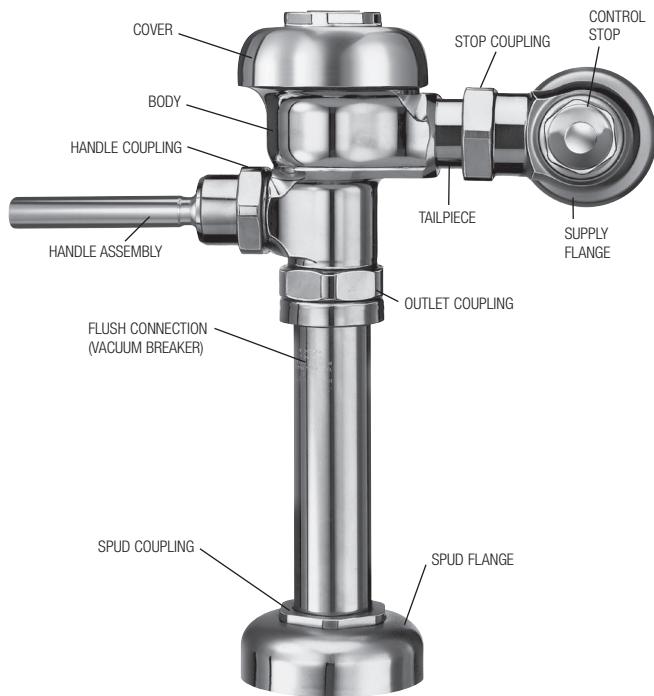
\*\*For use with 3/4" H-740-A CP Bak-Chek® screwdriver control stops

### ITEM 15A. SLIP JOINT GASKETS AND RINGS

Size	Code No.	Part No.	Description
1-1/2"	5306058	F-3	Red Friction Ring
	5322001	VBF-5	Black Slip Joint Gasket
	0319086/5319086	S-30	Flexible Seat
	0319079	S-21	Rigid Seat (rubber over brass)
1-1/2" x 1-1/4"	0396062	F-105	Slip Joint Gasket – Rigid
	5306057	F-3	Red Friction Ring
1-1/4"	5322176	VBF-5	Black Slip Joint Gasket
	0307052/5307052	G-21	Rigid Seat (rubber over brass)
	5306056	F-3	Red Friction Ring
1"	5306115	F-5	Black Slip Joint Gasket
	5306055	F-3	Red Friction Ring
3/4"	5306113	F-5	Black Slip Joint Gasket

# Regal® Flushometer

NOTE: Also for use with Regal® XL  
(Since mid-2010)



### REGAL TUNE UP KIT

Code No.	Part No.	Description
3317027	R1121-A	Tune-up Kit (1.6 gpf/6.0 Lpf) Closet
3317026	R1122-A	Tune-up Kit (3.5 gpf/13.2 Lpf) Closet
3317028	R1124-A	Tune-up Kit (1.28 gpf/4.8 Lpf) Closet
3317031	R1126-A	Tune-up Kit (0.5 gpf/1.9 Lpf) Urinal
3317030	R1127-A	Tune-up Kit (1.0 gpf/3.8 Lpf) Urinal
3317029	R1128-A	Tune-up Kit (1.5 gpf/5.7 Lpf) Urinal

Includes Diaphragm Assembly, B-50-A Handle Repair Kit, H-553 O'ring, V-551-A Vacuum Breaker Repair Kit, A-71 Inside Plastic Cover.

### MASTER FLUSHOMETER REBUILDING KITS (SEE PARTS LIST – ON PREVIOUS PAGE)

Refer to Parts List. Includes Items 7, 13, 16 & 20

Code No.	Part No.	Description
3317001	R-1001-A	Rebuild Kit (4.5 gpf/17.0 Lpf) Closet/Service Sink
3317002	R-1002-A	Rebuild Kit (1.5 gpf/5.7 Lpf) Urinal
3317003	R-1003-A	Rebuild Kit (3.5 gpf/13.2 Lpf) Closet
3317004	R-1004-A	Rebuild Kit (1.6 gpf/6.0 Lpf) Closet
3317005	R-1005-A	Rebuild Kit (1.0 gpf/3.8 Lpf) LC Urinal
3317011	R-1011-A	Rebuild Kit (0.5 gpf/1.9 Lpf) Urinal
3317012	R-1012-A	Rebuild Kit (2.4 gpf/9.0 Lpf) Closet
3301143	A-1050-A	DPB Rebuild Kit (0.125 gpf/0.5 Lpf) Urinal

### REPAIR KIT WASHER SET (SEE PARTS LIST – ON PREVIOUS PAGE)

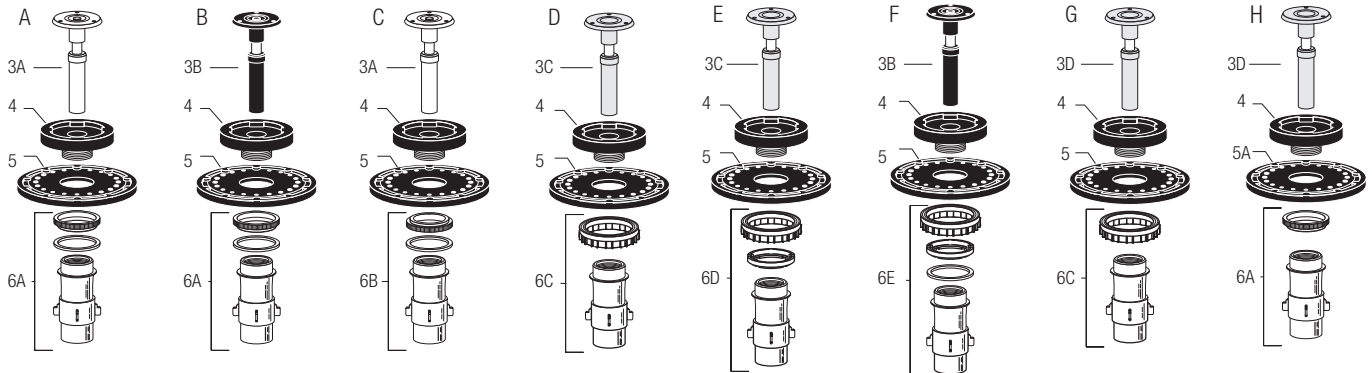
5301189	A-156-AA	Repair Kit Washer Set – Includes: 4, 5, 8 & 14
---------	----------	------------------------------------------------

### ITEM 7. INSIDE PARTS KITS (SEE ILLUSTRATIONS BELOW)

Item No.	Code No.	Part No.	Application
A.	3301036	A-36-A	4.5 gpf/17.0 Lpf - Closet
B.	3301037	A-37-A	1.5 gpf/5.7 Lpf - Urinal
C.	3301038	A-38-A	3.5 gpf/13.2 Lpf - Closet
D.	3301041	A-41-A	1.6 gpf/6.0 Lpf - Closet
E.	3301044	A-42-A	1.0 gpf/3.8 Lpf - Urinal
F.	3301081	A-43-A	0.5 gpf/1.9 Lpf - Urinal
G.	3301024	A-44-A	2.4 gpf/9.0 Lpf - Closet
H.	3301045	A-140-A	1.28 gpf/4.8 Lpf - Closet

### ITEM 7. INSIDE PARTS COMPONENTS (SEE ILLUSTRATIONS BELOW)

Item No.	Code No.	Part No.	Description
3A.	5301058	A-19-AC	Relief Valve, White (Closet) – 12 per pkg.
3B.	5301059	A-19-AU	Relief Valve, Black (Urinal) – 12 per pkg.
3C.	5301211	A-19-ALC	Relief Valve, Green (Closet/Urinal-LC) – 12 per pkg.
3D.	0301143	A-19-AL	Relief Valve, Blue (9 Liter Closet)
4.	5301111	A-15-A	Disc – for all Inside Parts Kits – 12 per pkg.
5.	5301188	A-156-A	Diaphragm – for all Inside Parts Kits –12 per pkg.
5A.	5301176	A-56-A	Diaphragm – for all Inside Parts Kits – 6 per pkg.
6A.	5301236	A-163-A	Guide Assembly 4.5 gpf/17.0 Lpf Closet & 1.5 gpf/5.7 Lpf Urinal –12 per package
6B.	5301032	A-152-A	Guide Assembly 3.5 gpf/13.2 Lpf Closet – 12 per package
6C.	5301031	A-151-A	Guide Assembly 1.6 gpf/6.0 Lpf LC Closet – 12 per package
6D.	5301155	A-155-A	Guide Assembly 1.0 gpf/3.8 Lpf LC Urinal – 12 per package
6E.	5301157	A-157-A	Guide Assembly 0.5 gpf/1.9 Lpf Urinal – 12 per package





## Regal® Flushometer

NOTE: Also for use with Regal® XL  
(Since mid-2010)

## TROUBLESHOOTING GUIDE

**ATTENTION INSTALLERS:** With the exception of the control stop inlet, DO NOT USE pipe sealant or plumbing grease on any valve component or coupling! To protect the chrome or special finish of Sloan flushometers, DO NOT USE toothed tools to install or service these valves. Use our A-50 Super-Wrench™ or other smooth-jawed wrench to secure couplings. Regulations for low consumption fixtures (1.6 gpf/6.0 Lpf closets and 1.0 gpf/3.8 Lpf urinals) prohibit use of higher flush volumes.

### 1. Flushometer DOES NOT function (no flush).

- A. Control stop or main valve is closed. Open control stop or main valve.
- B. Handle assembly is worn. Install handle repair kit B-50-A or replace handle.
- C. Relief valve is worn. Replace inside parts kit.

### 2. Insufficient volume of water to adequately siphon fixture.

- A. Control stop not open enough. Adjust control stop for desired delivery of water.
- B. Urinal flushometer parts inside a closet flushometer. Replace inside urinal parts with proper closet flushometer parts.
- C. Low consumption flushometer installed on a non-low consumption fixture. Replace A-41-A inside parts kit with A-38-A water saver kit.
- D. Water saver kit installed in old, non-water saver bowl. Position refill head A-170-1 so that SIDE 1 is in the UP position.
- E. Inadequate volume or pressure at supply. If no gauges are available to properly measure supply pressure or volume of water at the flushometer, then remove the relief valve from the inside parts kit, reassemble the flushometer and open the control stop.
  - If the fixture siphons, more water volume is required. If a 3.5 gpf inside parts kit is installed in the flushometer, then first flip the refill head (under the diaphragm) to obtain a 4.5 gpf volume. If this volume is still inadequate, remove the flow ring from the guide to obtain a 6.5 gpf kit. If additional flow is still required, try a low pressure guide kit A-175-A. **IMPORTANT: LAWS AND REGULATIONS PROHIBIT THE USE OF HIGHER FLUSHING VOLUMES THAN LISTED ON FIXTURE OR FLUSHOMETER.**
  - If fixture does not siphon or if a low consumption fixture is installed, or if the above steps do not prove satisfactory, steps must be taken to increase the pressure and/or supply.

### 3. Flushometer closes off immediately.

- A. Ruptured or damaged diaphragm. Install inside parts kit to correct above problems and update flushometer.
- B. Enlarged by-pass orifice from corrosion or damage. Install inside parts kit to correct above problem and update flushometer.

### 4. Length of flush is too short (short flushing).

- A. Diaphragm assembly and guide assembly are not hand-tight. Screw the two assemblies hand-tight.
- B. Enlarged by-pass orifice from corrosion or damage. Install NEW inside parts kit to correct problem and update flushometer.
- C. A-19-AU (black) urinal relief valve in closet flushometer. Replace relief valve with A-19-AC (white) closet relief valve.
- D. B-41-A low consumption kit installed in non-low consumption fixture. Replace with proper inside parts kit.
- E. Handle assembly is worn. Install handle repair kit B-50-A or replace the handle.

### 5. Length of flush is too long (long flushing) or fails to close off.

- A. Relief valve is not seating properly or by-pass orifice is clogged because of foreign material, or by-pass orifice is closed by an invisible gelatinous film from "over-treated" water. Disassemble the working parts and wash thoroughly.  
NOTE: SIZE OF ORIFICE IN THE BY-PASS IS EXTREMELY IMPORTANT FOR PROPER METERING OF WATER INTO THE UPPER CHAMBER OF THE FLUSHOMETER. DO NOT ENLARGE OR DAMAGE THIS ORIFICE. REPLACE INSIDE KIT IF CLEANING DOES NOT CORRECT PROBLEM.
- B. Line pressure has dropped and is not sufficient to force relief valve to seat. Shut off all control stops until pressure has been restored, then open them again.
- C. A-19-AC (white) closet relief valve has been used in a 1 or 1-1/2 gpf urinal. Replace with A-19-AU (black) relief valve.
- D. Inside cover is cracked or damaged. Replace the inside cover A-71.

### 6. Chattering noise in flushometer.

- A. The A-156-A segment diaphragm has been installed upside-down. Replace the segment diaphragm to the proper position as instructed by markings on the diaphragm.
- B. The inside cover has been distorted from wear, freezing or abuse. replace inside cover.

### 7. Leaking at handle assembly.

- A. The B-39 seal is worn or deteriorated. Install new B-39 seal.  
NOTE: The B-39 seal will easily slide right onto the B-40 bushing if it is wet.
- B. Handle gasket has been omitted. Install A-31 handle gasket or handle repair kit B-50-A.
- C. Valve handle bushing is worn. Install handle repair kit B-50-A.

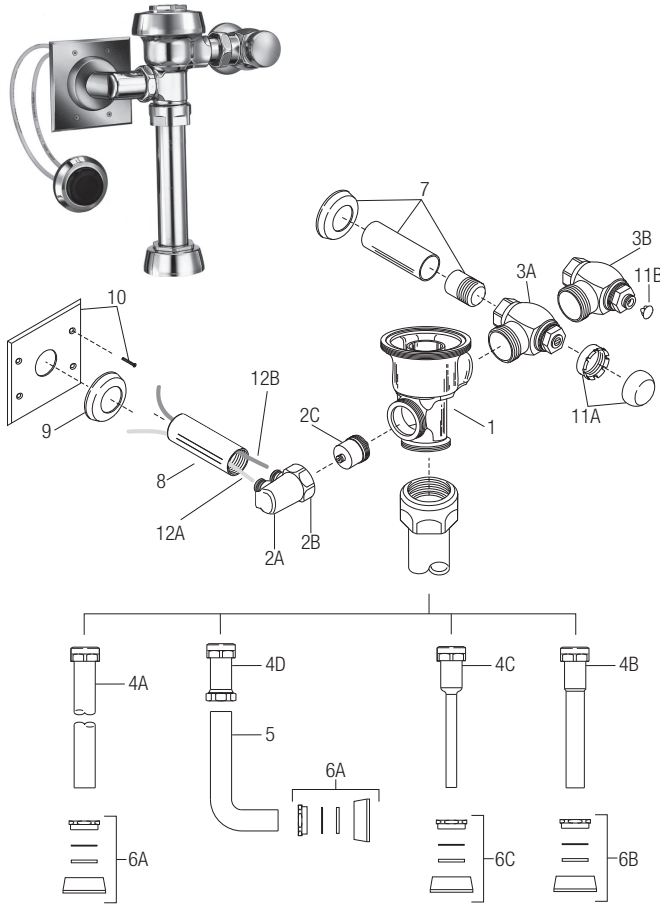
### CARE AND CLEANING INSTRUCTIONS

**DO NOT USE** abrasive or chemical cleaners (including chlorine bleach) to clean flushometers that may dull the luster and attack the chrome or special decorative finishes. Use **ONLY** mild soap and water, then wipe dry with a clean towel or cloth.

While cleaning the bathroom tile, protect the flushometer from any splattering of cleaner. Acids and cleaning fluids will discolor or remove chrome plating.

**When assistance is required, please contact Sloan Technical Support at: 1-888-SLOAN-14 (1-888-756-2614).**

## Series 900® Flushometer



### PARTS LIST FOR SERIES 900® EXPOSED FLUSHOMETER

Item No.	Code No.	Part No.	Description
1.	<b>0301048</b>	A-143-A	Valve Body
2A.	<b>0318065PK</b>	HY-65	Valve Actuator Housing (fittings not included)
2B.	<b>0301082PK</b>	A-6	Housing Nut
2C.	<b>3318001PK</b>	HY-83-A	Actuator Cartridge Assembly
3A.	<b>3308386</b>	H-700-A	Bak-Chek® Control Stop (Royal Valves) for 1" 3308384 for ¾"
3B.	<b>0388065</b>	H-790-A	Bak-Chek® Control Stop (Regal XL Valves) for 1" 0388064 for ¾"
4A.	<b>3893004</b>	V-600-AA	1½" (38 mm) Vacuum Breaker Assembly
4B.	<b>3393006</b>	V-600-AA	1¼" (32 mm) Vacuum Breaker Assembly
4C.	<b>3393004</b>	V-600-AA	¾" (19 mm) Vacuum Breaker Assembly
4D.	<b>0393003</b>	V-600-A	Vacuum Breaker
5.	<b>0396293</b>	F-109	1½" (38 mm) Elbow Flush Connection
6A.	<b>0306146</b>	F-5-AT	1-1/2" (38 mm) Spud Coupling Assembly (Royal Valves)
	<b>0306145</b>	F-56-A	1½" (38 mm) Spud Coupling Assembly (Regal XL Valves)
6B.	<b>0306140</b>	F-5-AU	1¼" (32 mm) Spud Coupling Assembly (Royal Valves)
	<b>0306142</b>	F-55-A	1¼" (32 mm) Spud Coupling Assembly (Regal XL Valves)
6C.	<b>0306125</b>	F-5-AW	¾" (19 mm) Spud Coupling Assembly (Royal Valves)
	<b>0306102</b>	F-54-A	¾" (19 mm) Spud Coupling Assembly (Regal XL Valves)
7.	<b>3308782</b>	H-633-AA	1" (25 mm) Sweat Solder Kit & Cast Wall Flange w/ Set Screw
	<b>3308788</b>	H-636-AA	¾" (19 mm) Sweat Solder Kit & Cast Wall Flange w/ Set Screw
8.	<b>0318064PK</b>	HY-64	6" Chrome Sleeve
9.	‡	F-7	Supply Flange
10.	<b>3318002</b>	HY-112-A	Plate with Screws
11A.	<b>3308772</b>	H-1010-A	Free Spinning Vandal Resistant Stop Cap (Royal Valves)
11B.	<b>5388002</b>	H-528	Vandal Resistant Hole Plug (Regal Valves)
12A.	<b>0318221</b>	HY-146	1/4" (6mm) x 48" (1219 mm) Yellow connecting tube
12B.	<b>0318217</b>	HY-145	1/4" (6mm) x 48" (1219 mm) Blue connecting tube

† Part number varies with valve model variation; consult factory.

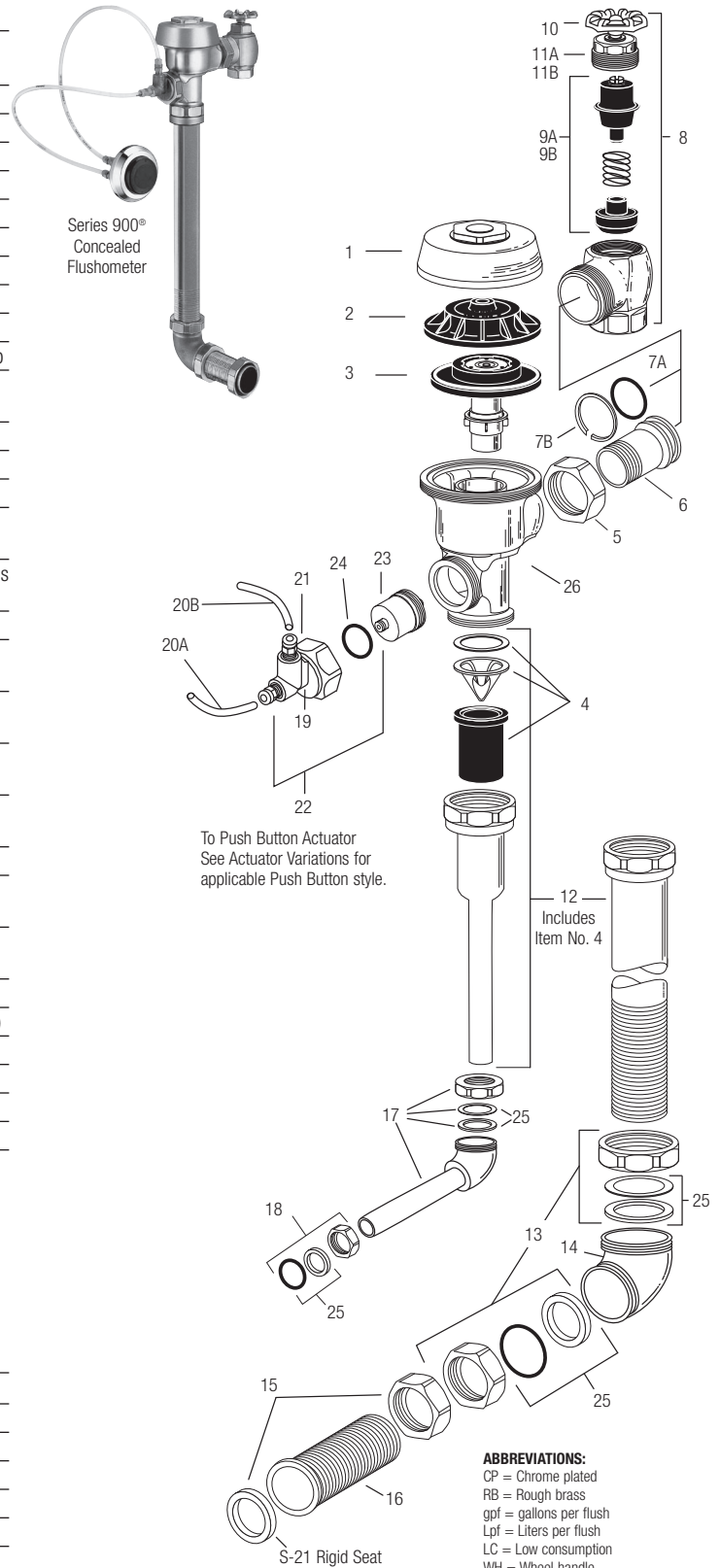
‡ Length varies with valve variation; consult factory.



## Series 900® Flushometer

### PARTS LIST FOR SERIES 900® CONCEALED FLUSHOMETER

Item No.	Code No.	Part No.	Description
1.	0301173	A-72	RB Royal® Cover
2.	0301168	A-71	Inside Cover
3.	<b>SEE THE INSIDE PARTS KIT CHART ON NEXT PAGE</b>		
4.	3323182	V-651-A	Vacuum Breaker Repair Kit
5.	0308690	H-550	RB Tailpiece Coupling
6.	0308802	H-551-A	RB Adjustable Tailpiece, 2-1/16" (52 mm)
7A.	5308696	H-553	O-ring – 24 per package
7B.	5308381	H-552	Locking ring – 12 per package
8.	0388010	H-730-A	RB Wheel Handle Bak-Chek® Control Stop
9A.	3308855	H-541-A	1" Wheel Handle Repair Kit for H-730-A Control Stop
9B.	3308858	H-543-A	3/4" Wheel Handle Repair Kit for H-730-A Control Stop
10.	0308919	H-558-A	Wheel Handle
11A.	0208083	H-623	1" RB Bonnet
11B.	0208083	H-623	3/4" RB Bonnet
12.	See page 148	V-500-AA	Royal Vacuum Breaker Flush Connection (specify length and size)
13.	0306619	F-2-AA	1-1/2" (38 mm) RB Couplings (2 each), Friction Rings (2 each), and Rubber Gaskets (2 each)
14.	0206146	F-21	RB Elbow
15.	0306091	F-2-A	1-1/2" (38 mm) RB Coupling and S-21 Flat Rigid Gasket
16.	See pages 148	F-100	RB Flared End Flush Connection (specify length)
17.	See pages 148	F-15-A	3/4" (19 mm) RB Elbow Flush Connection with Coupling and Rubber Gasket (specify length)
18.	0306054	F-2-A	3/4" (19 mm) RB Coupling, Friction Ring, and Rubber Gasket
19.	0318024	HY-25-1	RB Valve Actuator Housing
20A.	0318221	HY-146	1/4" (6 mm) x 48" (1219 mm) Yellow Connecting Tubes (2 required)
20B.	0318217	HY-145	1/4" (6 mm) x 48" (1219 mm) Blue Connecting Tubes (2 required)
21.	0301082	A-6	RB Handle Coupling Nut
22.	3318005	HY-109-A	Actuator Housing Assembly (includes items 21 & 24)
23.	3318001	HY-83-A	Actuator Cartridge Assembly
24.	0337086	DO-22	O-ring for HY-109-A Adapter
25.	<b>SEE SLIP JOINT GASKETS AND RINGS TABLE BELOW</b>		
26.	0301050	A143-A	RB Valve Body



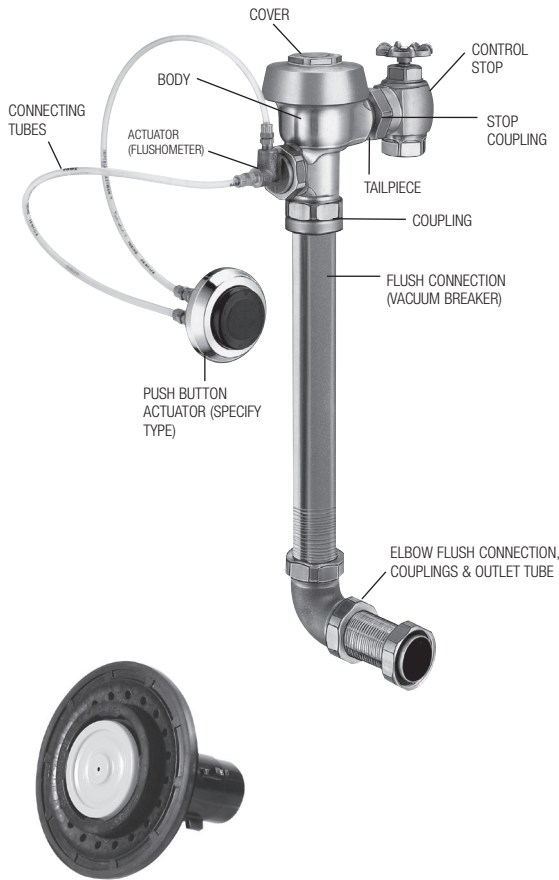
### ITEM 27. SLIP JOINT GASKETS AND RINGS

Size	Code No.	Part No.	Description
1-1/2"	5306058	F-3	Red Friction Ring
	5322001	VBF-5	Black Slip Joint Gasket
	0319086/5319086	S-30	Flexible Seat
	0319079	S-21	Rigid Seat (rubber over brass)
1-1/2" x 1-1/4"	0396062	F-105	Slip Joint Gasket – Rigid
1-1/4"	5306057	F-3	Red Friction Ring
	5322176	VBF-5	Black Slip Joint Gasket
	0307052/5307052	G-21	Rigid Seat (rubber over brass)
	5306056	F-3	Red Friction Ring
1"	5306115	F-5	Black Slip Joint Gasket
	5306055	F-3	Red Friction Ring
3/4"	5306113	F-5	Black Slip Joint Gasket

### TAILPIECES, CONTROL STOPS, PUSH BUTTONS AND FLUSH CONNECTIONS

For additional information on tailpieces, control stops, push buttons and flush connections see Showerheads, Parts and Accessories Tab.

## Series 900® Flushometer



### Royal Flushometer

#### ITEM 3 INSIDE PARTS KITS (SEE ILLUSTRATION ON PREVIOUS PAGE)

Code No.	Part No.	Application
3301502	A-1041-A	Low Consumption Water Closets- 1.6 gpf (6.0 Lpf)*
3301501	A-1038-A	Water Saver Water Closets-3.5 gpf (13.2 Lpf)*
3301505	A-1044-A	9 Liter European Water Closets-2.4 gpf (9.0 Lpf)
3301504	A-1043-A	Wash Down Urinals-0.5 gpf (1.9 Lpf)
3301503	A-1042-A	Low Consumption Urinals-1.0 gpf (3.8 Lpf)*
3301500	A-1037-A	Water Saver Urinals-1.5 gpf (5.7 Lpf)*
3301506	A-1045-A	High-Efficiency Water Closets-1.28 gpf (4.8 Lpf)

\* WATER SAVER (3.5 GPF CLOSET AND 1.5 GPF URINAL) AND LOW CONSUMPTION (1.6 GPF CLOSET AND 1.0 GPF URINAL) FIXTURES MUST USE MATCHING GPF (LPF) DIAPHRAGM KITS; USING A SMALLER GPF (LPF) KIT IN FIXTURES NOT INTENDED FOR LESS VOLUME WILL RESULT IN INADEQUATE DILUTION IN URINALS AND IMPROPER EVACUATION IN CLOSETS.

#### HYDRAULIC INSIDE PARTS REPAIR KITS

Code No.	Part No.	Description
3318011	HY-1101-A	Hydraulic Royal 1.6C
3318012	HY-1102-A	Hydraulic Royal 3.5C
3318013	HY-1103-A	Hydraulic Royal 2.4C
3318014	HY-1106-A	Hydraulic Royal 0.5U
3318015	HY-1107-A	Hydraulic Royal 1.0U
3318016	HY-1108-A	Hydraulic Royal 1.5U

Comes with: Diaphragm, Actuator Cartridge Assembly, Tailpiece O-ring and Vacuum Breaker Assembly



### Regal Flushometer

#### DIAPHRAGM INSIDE PARTS KITS

Code No.	Part No.	Application
3301036	A-36-A	4.5 gpf/17.0 Lpf - Closet
3301037	A-37-A	1.5 gpf/5.7 Lpf - Urinal
3301038	A-38-A	3.5 gpf/13.2 Lpf - Closet
3301041	A-41-A	1.6 gpf/6.0 Lpf - Closet
3301044	A-42-A	1.0 gpf/3.8 Lpf - Urinal
3301081	A-43-A	0.5 gpf/1.9 Lpf - Urinal
3301024	A-44-A	2.4 gpf/9.0 Lpf - Closet
3301045	A-140-A	1.28 gpf/4.8 Lpf - Closet

#### INSIDE PARTS COMPONENTS

Code No.	Part No.	Description
5301058	A-19-AC	Relief Valve, White (Closet) – 12 per pkg.
5301059	A-19-AU	Relief Valve, Black (Urinal) – 12 per pkg.
5301211	A-19-ALC	Relief Valve, Green (Closet/Urinal-LC) – 12 per pkg.
0301143	A-19-AL	Relief Valve, Blue (9 Liter Closet)
5301111	A-15-A	Disc – for all Inside Parts Kits – 12 per pkg.
5301188	A-156-A	Diaphragm – for all Inside Parts Kits – 12 per pkg.
5301236	A-163-A	Guide Assembly 4.5 gpf/17.0 Lpf Closet & 1.5 gpf/5.7 Lpf Urinal – 12 per package
5301032	A-152-A	Guide Assembly 3.5 gpf/13.2 Lpf Closet – 12 per package
5301031	A-151-A	Guide Assembly 1.6 gpf/6.0 Lpf LC Closet – 12 per package
5301155	A-155-A	Guide Assembly 1.0 gpf/3.8 Lpf LC Urinal – 12 per package
5301157	A-157-A	Guide Assembly 0.5 gpf/1.9 Lpf Urinal – 12 per package



### Sloan Flushometer

#### DIAPHRAGM INSIDE PARTS KITS

Includes Relief Valve and Diaphragm Assembly

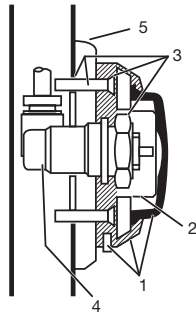
Code No.	Part No.	Application
3378041	SV-41-A	1.6 gpf/6.0 Lpf - Closet
3378038	SV-38-A	3.5 gpf/13.2 Lpf - Closet
3378044	SV-44-A	2.4 gpf/9.0 Lpf - Closet
3378037	SV-37-A	1.5 gpf/5.7 Lpf - Urinal
3378042	SV-42-A	1.0 gpf/3.8 Lpf - Urinal
3378043	SV-43-A	0.5 gpf/1.9 Lpf - Urinal
3378047	SV-47-A	1.28 gpf/4.8 Lpf - Closet

#### INSIDE COMPONENTS

Code No.	Part No.	Description
5301211	A-19-ALC	Relief Valve, Green (Closet/Urinal-LC) – 12 per package
5301058	A-19-AC	Relief Valve, White (Closet) – 12 per package
0301143	A-19-AL	Relief Valve, Blue (9 Liter Closet)
5301059	A-19-AU	Relief Valve, Black (Urinal) – 12 per package

## Series 900® Flushometer

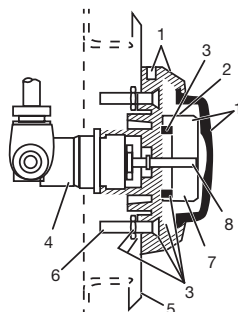
### HY-49-A (0318049) METAL PARTITION PUSH BUTTON



Item No.	Code No.	Part No.	Description
1.	0318002	HY-1-A	Push Button Kit – includes Push Button, Flange, Spring & Set Screws
2.	0318004	HY-3	Spring
3.	0318003	HY-2-A	Mounting Flange Kit – includes Mounting Flange, Mounting Nut, Screws (2) & Tinnerman Nuts (2)
4.	0318123	HY-71-A	Actuator Assembly
5.	0318123	HY-46-A	Wall Flange

NOTE: Includes HY-32-A cartridge (shown at right)  
NOTE: Maximum distance from button to valve is 20' (longer tubing required)

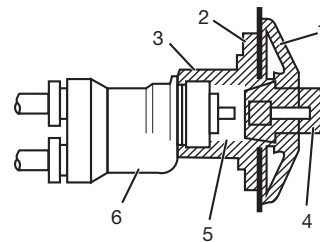
### HY-72-A (0318072) SIDE WALL PUSH BUTTON



Item No.	Code No.	Part No.	Description
1.	3318007	HY-1000-A	Push Button Kit – includes Push Button, Flange, Spring & Set Screw
2.	0318004	HY-3	Spring
3.	3318008	HY-1001-A	Mounting Flange Kit – includes Mounting Flange, Mounting Nut, Screws (2), Nuts (2) & Washers (2)
4.	0318123	HY-71-A	Actuator Assembly
5.	0318041	HY-40	Plate
6.	0305173	EL-173	Screws (4)
7.	0318073	HY-73	Extension Adapter
8.	0318074	HY-74	Extension Stem

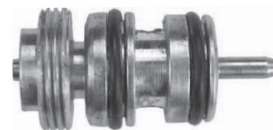
NOTE: Includes HY-32-A cartridge (shown at right)  
NOTE: Maximum distance from button to valve is 20' (longer tubing required)  
NOTE: HY-30 84" longer tubing (0318094)

### HY-108-A (0318119) PENAL WARE METAL PUSH BUTTON

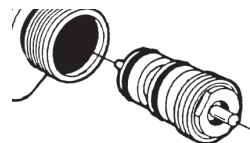


Item No.	Code No.	Part No.	Description
1.	0318116	HY-91	Flange
2.	0318111	HY-94	Mounting Washer
3.	0318112	HY-93	Mounting Nut
4.	0318115	HY-86-A	Push Button Assembly
5.	0305134	EL-109	Spring
6.	0318078	HY-50-A	Actuator Assembly

NOTE: Includes HY-32-A cartridge (shown below)  
NOTE: Maximum distance from button to valve is 20' (longer tubing required)  
NOTE: HY-30 84" longer tubing (0318094)



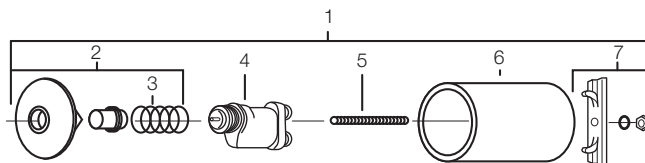
### HY-32-A ACTUATOR CARTRIDGE ASSEMBLY



For use with HY-50-A and HY-71-A actuator assemblies

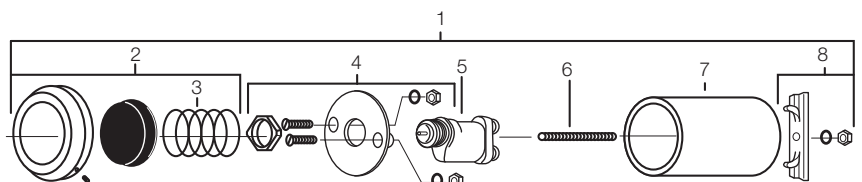
### HY-100-A (0318117) FIXTURE WALL METAL PUSH BUTTON

Item No.	Code No.	Part No.	Description
1.	0318117	HY-100-A	Fixture Wall Metal Button Assembly
2.	3318006	HY-111-A	Metal Button Kit
3.	0305134	EL-109	Spring
4.	0318078	HY-50-A	Actuator Assembly
5.	0318028	HY-29	Threaded Rod
6.	0318109	HY-105	Spacer
7.	3318009	HY-1002-A	Mounting Strap Kit



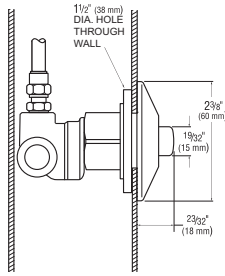
### HY-33-A (0318001) FIXTURE WALL PUSH BUTTON

1.	0318001	HY-33-A	Fixture Wall Push Button Assembly
2.	3318007	HY-1000-A	Push Button Kit
3.	0318004	HY-3	Spring
4.	3318008	HY-1001-A	Mounting Flange Kit
5.	0318078	HY-50-A	Actuator Assembly
6.	0318028	HY-29	Threaded Rod
7.	0318109	HY-105	Spacer
8.	3318009	HY-1002-A	Mounting Strap Kit

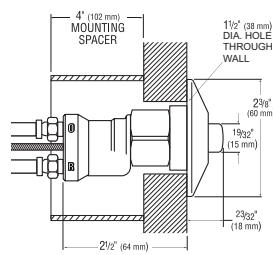


## Series 900® Flushometer

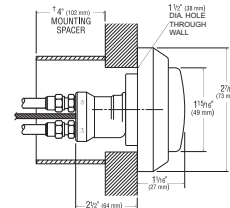
### HY-113-A (0318120) METAL PUSH BUTTON PANEL MOUNT (MBPM VARIATION)



### HY-100-A (0318117) METAL PUSH BUTTON FIXTURE WALL (MBFW VARIATION)



### HY-125-A (0318183) METAL PUSH BUTTON FIXTURE WALL (FW VARIATION)

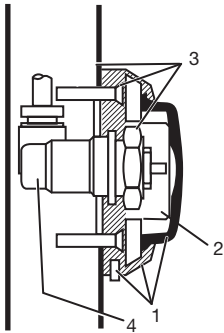


<sup>†</sup> Use Mounting Spacer only if wall thickness is less than 2" (50 mm).

Item No.	Code No.	Part No.	Description
1.	<b>0318115</b>	HY-86-A	Push Button Kit – includes Push Button, Flange, Spring & Set Screw
2.	<b>0305134</b>	EL-109	Spring
3.	<b>0318111</b>	HY-94-A	Mounting Flange Kit – includes Mounting Nut, Screws (2) & Tinnerman Nuts (2)
4.	<b>0318123</b>	HY-71-A	Flange
5.	<b>0318116PK</b>	HY-91	Hydraulic Actuator

NOTE: Includes HY-32-A cartridge (0318031)  
NOTE: Maximum distance from button to valve is 20' (longer tubing required)  
NOTE: HY-30 84" longer tubing (0318094)

### HY-79-A (0318081) METAL PARTITION PUSH BUTTON



Item No.	Code No.	Part No.	Description
1.	<b>3318007</b>	HY-1000-A	Push Button Kit – includes Push Button, Flange, Spring & Set Screw
2.	<b>0318004</b>	HY-3	Spring
3.	<b>3318010</b>	HY-1003-A	Mounting Flange Kit – includes Mounting Flange, Mounting Nut, Screws (2) & Tinnerman Nuts (2)
4.	<b>0318123</b>	HY-71-A	Actuator Assembly

NOTE: Includes HY-32-A cartridge (shown at right)  
NOTE: Maximum distance from button to valve is 20' (longer tubing required)  
NOTE: HY-30 84" longer tubing (0318094)

Item No.	Code No.	Part No.	Description
1.	<b>0318115</b>	HY-86-A	Push Button Kit – includes Push Button, Flange, Spring & Set Screw
2.	<b>0318109</b>	HY-105	Spacer Mounting Tube
3.	<b>0318125</b>	HY-95-A	Mounting Flange Kit – includes Mounting Flange, Mounting Nut, Screws (2), Nuts (2) & Washers (2)
4.	<b>0318078</b>	HY-50-A	RB Actuator Assembly
5.	<b>0318019</b>	HY-20-A	Inner Bushing

NOTE: Includes HY-32-A cartridge (0318031)  
NOTE: Maximum distance from button to valve is 20' (longer tubing required)  
NOTE: HY-30 84" longer tubing (0318094)

Item No.	Code No.	Part No.	Description
1.	<b>0318002</b>	HY-1	CP Button Flange
2.	<b>0318111</b>	HY-105	Spacer Mounting Tube
3.	<b>0318003</b>	HY-2	RB Mounting Nut
4.	<b>0318067</b>	HY-123-A	Push Button Assembly
5.	<b>0318078</b>	HY-50-A	Actuator Assembly

NOTE: Includes HY-32-A cartridge (shown below)  
NOTE: Maximum distance from button to valve is 20' (longer tubing required)  
NOTE: HY-30 84" longer tubing (0318094)



## Series 900® Flushometer

### TROUBLESHOOTING GUIDE

#### 1. Push button leaks.

The actuator cartridge has an accumulation of lime or its seals are damaged or worn. Replace with a new HY-32-A cartridge.

#### 2. The flushometer DOES NOT flush and a small amount of leakage is visible below the valve.

- A. Foreign material lodged in the cartridge. Remove the cartridge and inspect for foreign material. Clean under running water.
- B. The actuator cartridge has an accumulation of lime or its seals are damaged or worn. Replace with a new HY-32-A cartridge.
- C. Plastic tubing is installed incorrectly. Install plastic tubing correctly.

#### ACTUATOR CARTRIDGE REMOVAL

##### Plastic Push Button Actuator Removal:

- (1) Loosen the setscrew in the button flange and remove the button, flange, and spring from the actuator body.
- (2) Unscrew the cartridge from the actuator body.

##### Metal Push Button Actuator Removal:

- (1) Remove the button or actuator assembly from the wall or fixture.
- (2) Disassemble the flange or button assembly from the actuator body.
- (3) Unscrew the cartridge from the actuator body.

**NOTE: The metal push button is designed to be vandal-proof and must be removed from the wall or fixture for service.**

#### 3. The flushometer DOES NOT flush or flushes only once and will not flush a second time when the button is pushed.

- A. The plunger is lodged in the actuator cartridge or the plunger bypass hole is clogged. Remove actuator housing and cartridge from the flushometer. Clean under running water. If cartridge parts are worn, deteriorated or limed up and problem persists after cleaning, replace with a new HY-83-A cartridge.
- B. Plastic tubing is installed incorrectly. Install plastic tubing correctly (Blue tube/Blue fitting, Yellow tube/Yellow fitting).

#### REMOVAL OF THE ACTUATOR FROM THE FLUSHOMETER:

Turn off water at the control stop. Unscrew the actuator housing coupling nut from the flushometer. Remove the actuator housing from the flushometer. The tubing connections can be left intact. Carefully remove the actuator cartridge from the flushometer body to prevent the actuator from abrupt separation due to expansion of an internal spring. If the actuator cartridge is lodged in the flushometer body cavity, gently grip the exposed portion of the cartridge with a channel-lock pliers and rotate back and forth to loosen the o-ring seal. Carefully separate the actuator housing to reveal the spring and plunger.

#### 4. Flushometer DOES NOT function (no flush).

- A. Control stop or main valve is closed. Open control stop or main valve.
- B. Relief valve is worn. Replace performance kit (Royal) or inside parts kit (Regal XL).

#### 5. Volume of water is not sufficient to siphon fixture.

- A. Control stop is not open wide enough. Adjust control stop for desired delivery of water volume.
- B. Urinal flushometer parts installed in a closet flushometer. Replace inside urinal flushometer parts with proper closet flushometer parts.
- C. Incorrect dual-filtered diaphragm assembly (Royal) or inside parts kit (Regal XL) is installed in flushometer; for instance, urinal assembly inside a closet flushometer, or low consumption assembly inside a higher consumption fixture. Determine the flush volume required by the fixture and replace Royal performance kit or inside parts kit. Use valve label and markings on fixture for reference.
- D. Water supply volume or pressure is inadequate. If no gauges are available to properly measure supply pressure or volume of water at the flushometer, then remove the relief valve from the dual-filtered diaphragm assembly (Royal) or inside parts kit (Regal XL), reassemble the flushometer and completely open the control stop. If the fixture siphons, more water volume is required.

**For Royal** — Install a higher flushing volume Royal Performance Kit.

**For Regal XL** — If a 3.5 gpf Inside Parts Kit is installed in the flushometer, then first flip the refill head (under the diaphragm) to obtain a 4.5 gpf volume. If this volume is still inadequate, remove the flow ring from the guide to obtain a 6.5 gpf Kit. If additional flow is still required, try a low pressure guide kit A-175-A (0301104).

#### IMPORTANT — LAWS AND REGULATIONS REQUIRING PROHIBIT THE USE OF HIGHER FLUSHING VOLUMES THAN LISTED ON FIXTURE OR FLUSHOMETER.

If the fixture does not siphon or if a low consumption flush is required, steps must be taken to increase the water supply pressure and/or volume. Contact the fixture manufacturer for minimum water supply requirements of the fixture.

#### 6. Flushometer closes off immediately.

- A. Ruptured or damaged diaphragm. Replace Royal performance kit (Royal) or inside parts kit (Regal XL).
- B. **For Regal XL** — An enlarged bypass orifice from corrosion or damage. Replace inside parts kit.

#### 7. Length of flush is too short (short flush)

- A. **For Regal XL** — The diaphragm assembly and guide assembly are not hand tight. Screw the two assemblies hand tight.
- B. **For Regal XL** — An enlarged bypass orifice from corrosion or damage. Replace inside parts kit.
- C. Dual-filtered diaphragm assembly (Royal) or inside parts kit (Regal XL) is damaged. Replace Royal performance kit or inside parts kit.
- D. Incorrect dual-filtered diaphragm assembly (Royal) or inside parts kit (Regal XL) is installed in flushometer; for instance, urinal assembly inside a closet flushometer, or low consumption assembly inside a higher consumption fixture. Determine the flush volume required by the fixture and replace Royal performance kit or inside parts kit. Use valve label and markings on fixture for reference.



---

**Series 900® Flushometer**

---

**TROUBLESHOOTING GUIDE (CONTINUED)**

---

**8. Length of flush is too long (long flush) or continuous.**

- A. **For Royal** — Metering bypass hole in diaphragm is clogged. Remove the dual-filtered diaphragm assembly. Remove the primary and secondary filter rings from the diaphragm and wash under running water. Replace Royal performance kit if cleaning does not correct the problem.
- B. **For Regal XL** — Relief valve (A-19-A) is not seating properly or bypass orifice is clogged. Disassemble the working parts and wash thoroughly.

**NOTE: SIZE OF THE ORIFICE IN THE BYPASS IS OF UTMOST IMPORTANCE FOR THE PROPER METERING OF WATER INTO THE UPPER CHAMBER OF THE FLUSHOMETER. DO NOT ENLARGE OR DAMAGE THIS ORIFICE. REPLACE INSIDE PARTS KIT IF CLEANING DOES NOT CORRECT PROBLEM.**

- C. Supply line water pressure has dropped and is not sufficient to close the valve. Close control stop until pressure is restored.
- D. Dual-filtered diaphragm assembly (Royal) or inside parts kit (Regal XL) is damaged. Replace Royal performance kit or inside parts kit.
- E. Incorrect dual-filtered diaphragm assembly (Royal) or inside parts kit (Regal XL) is installed in flushometer; for instance, urinal assembly inside a closet flushometer, or low consumption assembly inside a higher consumption fixture. Determine the flush volume required by the fixture and replace Royal performance kit or inside parts kit. Use valve label and markings on fixture for reference.
- F. White closet relief valve has been used in a urinal flushometer. Replace closet relief valve (A-19-AC) with black urinal relief valve (A-19-AU).
- G. Inside cover is cracked or damaged. Replace the inside cover (A-71).
- H. Conditions in the piping system may contribute to the noise. A degree of high pressure in the piping may be relieved by adjustments to control stop. Other noises created by loose pipes, lack of air chambers, inadequate pipe sizes, etc., are problems that must be discussed with the building engineer.

**9. Chattering noise is heard during flush.**

- A. Inside cover is damaged. Replace inside cover (A-71).
- B. **For Regal XL** — A-156-A segment diaphragm has been installed upside-down. Reposition the segment diaphragm properly (see markings on the diaphragm).

**CARE AND CLEANING INSTRUCTIONS**

---

**DO NOT USE** abrasive or chemical cleaners (including chlorine bleach) to clean flushometers that may dull the luster and attack the chrome or special decorative finishes. Use **ONLY** mild soap and water, then wipe dry with a clean towel or cloth.

While cleaning the bathroom tile, protect the flushometer from any splattering of cleaner. Acids and cleaning fluids will discolor or remove chrome plating.

**When assistance is required, please contact Sloan Technical Support at: 1-888-SLOAN-14 (1-888-756-2614).**

## Concealed Flushometer (Royal®)

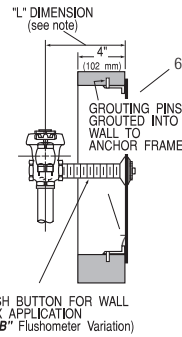
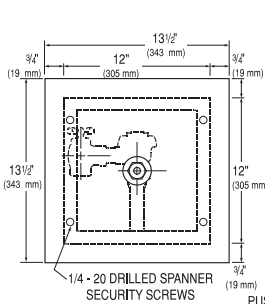
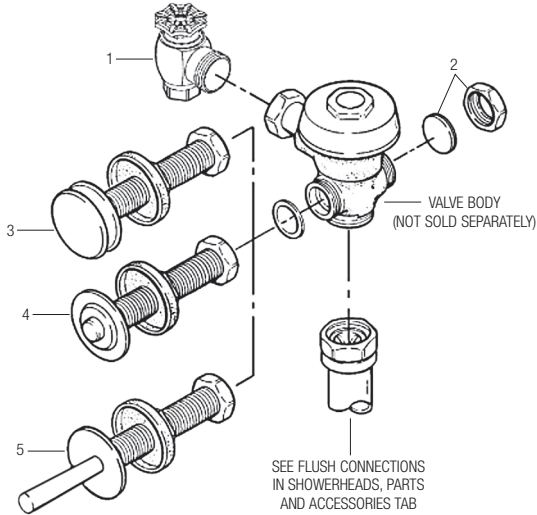


### TAILPIECES, CONTROL STOPS, FLUSH CONNECTIONS AND HANDLE ASSEMBLIES

For additional information on tailpieces, control stops, flush connections, and handle assemblies see Showerheads, Parts and Accessories Tab.

#### PARTS LIST

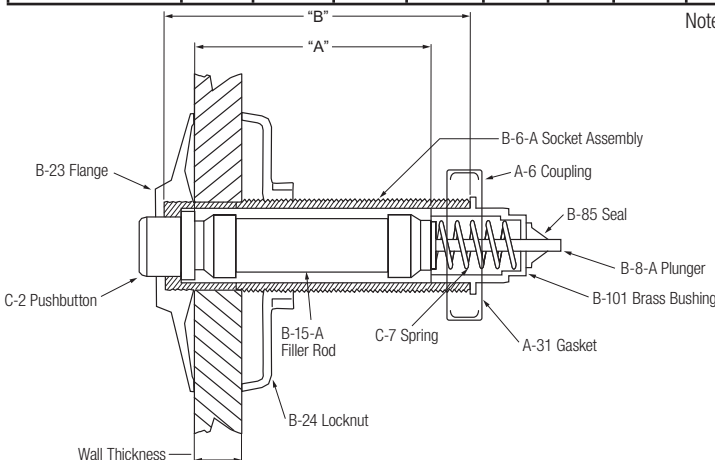
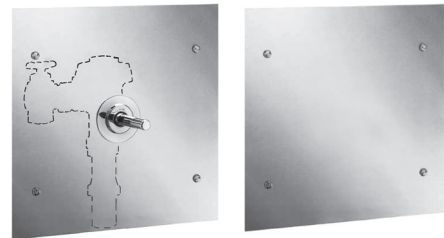
Item No.	Code No.	Part No.	Description
1.	<b>0388010</b>	H-730-A	1" RB Wheel Handle Bak-Chek® Control Stop
	<b>0388011</b>	H-730-A	3/4" RB Wheel Handle Bak-Chek® Control Stop
2.	<b>3301093</b>	A-1013-A	Concealed Valve Handle Cap Kit
<b>FOR SPECIFYING PROPER LENGTHS FOR ITEMS 3, 4 AND 5, SEE CHART BELOW</b>			
3.	—	C-43-A	3" (76 mm) Push Button Actuator Assembly
4.	—	C-9-A	Blind Nut Push Button Actuator Assembly
5.	—	B-12-A	Lever Actuator Assembly
6.	—	C-43-AWB	Wall Box Push Button Assembly
7.	—	C-9-A WB	Wall Button Push Button Actuator Assembly
8.	—	B-12-AWB	Wall Box Lever Actuator Assembly (Not Shown)



Specify the "L" dimension for the proper length of the push button assembly

"L" dimension PUSH BUTTON ID CHART (all dimensions in inches)

Wall Thickness	1	2	3	4	5	6	7	8	9	10	11	12	13	14	15
"L" Dimension	3 3/4	4 3/4	5 3/4	6 3/4	7 3/4	8 3/4	9 3/4	10 3/4	11 3/4	12 3/4	13 3/4	14 3/4	15 3/4	16 3/4	17 3/4
"A" (B-15-A) Filler Rod	1 5/8	2 5/8	3 5/8	4 5/8	5 5/8	6 5/8	7 5/8	8 5/8	9 5/8	10 5/8	11 5/8	12 5/8	13v5/8	14 5/8	15 5/8
"B" (B-6-A) Socket Assembly	2 1/2	3 1/2	4 1/2	5 1/2	6 1/2	7 1/2	8 1/2	9 1/2	10 1/2	11 1/2	12 1/2	13 1/2	14 1/2	15 1/2	16 1/2



Notes: 1. "L" Dimension = Wall thickness (to nearest whole inch) + 2 3/4"  
2. 1 1/2" Diameter Hole Opening Required Through Wall

## Concealed Flushometer (Royal®)

### TROUBLESHOOTING GUIDE

**ATTENTION INSTALLERS:** With the exception of the control stop inlet, **DO NOT USE** pipe sealant or plumbing grease on any valve component or coupling! To protect the chrome or special finish of Sloan flushometers, **DO NOT USE** toothed tools to install or service these valves. Use our A-50 Super Wrench or other smooth-jawed wrench to secure couplings. Regulations for low consumption fixtures (1.6 gpf/6.0 Lpf closets and 1.0 gpf/3.8 Lpf urinals) prohibit use of higher flush volumes.

#### 1. Flushometer DOES NOT function.

- Control stop or main valve is closed. Open control stop or main valve.
- Handle or push button assembly is worn. Install Sloan handle repair kit (C-70-A) or replace handle or push button.
- Relief valve is worn. Replace inside parts kit.

#### 2. Insufficient volume of water to adequately siphon fixture.

- Control stop not open enough. Adjust control stop for desired delivery of water.
- Urinal flushometer parts inside a closet flushometer. Replace inside urinal parts with proper closet flushometer Parts.
- Low consumption flushometer installed on a non-low consumption fixture. Replace A-41-A inside parts kit with A-38-A water saver kit.
- Water saver kit installed in old, non-water saver bowl. Position refill head A-170 so that SIDE 1 is in the UP position.
- Inadequate volume or pressure at supply.
  - If no gauges are available to properly measure supply pressure or volume of water at the flushometer, then remove the relief valve from the inside parts kit, reassemble the flushometer and open the control stop. If the fixture siphons, more water volume is required. If a 3.5 gpf inside parts kit is installed in the flushometer, then first flip the refill head (under the diaphragm) to obtain a 4.5 gpf volume. If this volume is still inadequate, remove the flow ring from the guide to obtain a 6.5 gpf kit. If additional flow is still required, try a low pressure guide kit A-175-A (#0301104).
 

**IMPORTANT: Laws and regulation prohibit the use of higher flushing volumes than listed on fixture or flushometer.**

    - If fixture **DOES NOT** siphon or if a low consumption fixture is installed, or if the above steps do not prove satisfactory, steps must be taken to increase the pressure and/or supply.

#### 3. Flushometer closes off immediately.

- Ruptured or damaged diaphragm. Install inside parts kit to correct problem and update flushometer.
- Enlarged bypass orifice from corrosion or damage. Install inside parts kit to correct problem and update flushometer.

#### 4. Length of flush is too short (short flushing).

- Diaphragm assembly and guide assembly are not hand-tight. Screw the two assemblies hand-tight.
- Enlarged bypass orifice from corrosion or damage. Install NEW inside parts kit to correct problem and update flushometer.
- A-19-AU (Black) urinal relief valve in closet flushometer. Replace relief valve with A-19-AC (White) closet relief valve.
- A-41-A low consumption kit installed in non-low consumption fixture. Replace with proper Inside Parts Kit.
- Handle assembly is worn. Install handle repair kit (C-70-A) or replace the handle.

#### 5. Length of flush is too long (Long Flushing) or fails to close off.

- Relief valve is not seating properly or bypass orifice is clogged because of foreign material, or bypass orifice is closed by an invisible gelatinous film from "over-treated" water. Disassemble the working parts and wash thoroughly. NOTE: SIZE OF ORIFICE IN THE BYPASS IS EXTREMELY IMPORTANT FOR PROPER METERING OF WATER INTO THE UPPER CHAMBER OF THE FLUSHOMETER. DO NOT ENLARGE OR DAMAGE THIS ORIFICE. REPLACE INSIDE KIT IF CLEANING DOES NOT CORRECT PROBLEM.
- Line pressure has dropped and is not sufficient to force relief valve to seat. Shut off all control stops until pressure has been restored, then open them again.
- A-19-AC (White) closet relief valve has been used in a 1.0 or 1.5 gpf urinal. Replace with A-19-AU (Black) relief valve.
- Inside cover is cracked or damaged. Replace the inside cover (A-71).

#### 6. Chattering noise in flushometer.

- The A-156-A segment diaphragm has been installed upside-down. Replace the segment diaphragm to the proper position as instructed by markings on the diaphragm.
- The inside cover has become distorted from wear, freezing or abuse. Replace inside cover.

#### 7. Leaking at handle or push button assembly.

- The B-39 Seal is worn or deteriorated. Install new B-39 seal. NOTE: The B-39 Seal will easily slide onto the B-40 Bushing if it is wet.
- Handle gasket has been omitted. Install A-31 handle gasket or Sloan handle repair kit (C-70-A).
- Valve handle bushing is worn. Install Sloan handle repair kit (C-70-A).

### CARE AND CLEANING INSTRUCTIONS

**DO NOT USE** abrasive or chemical cleaners (including chlorine bleach) to clean flushometers that may dull the luster and attack the chrome or special decorative finishes. Use **ONLY** mild soap and water, then wipe dry with a clean towel or cloth.

While cleaning the bathroom tile, protect the flushometer from any splattering of cleaner. Acids and cleaning fluids will discolor or remove chrome plating.

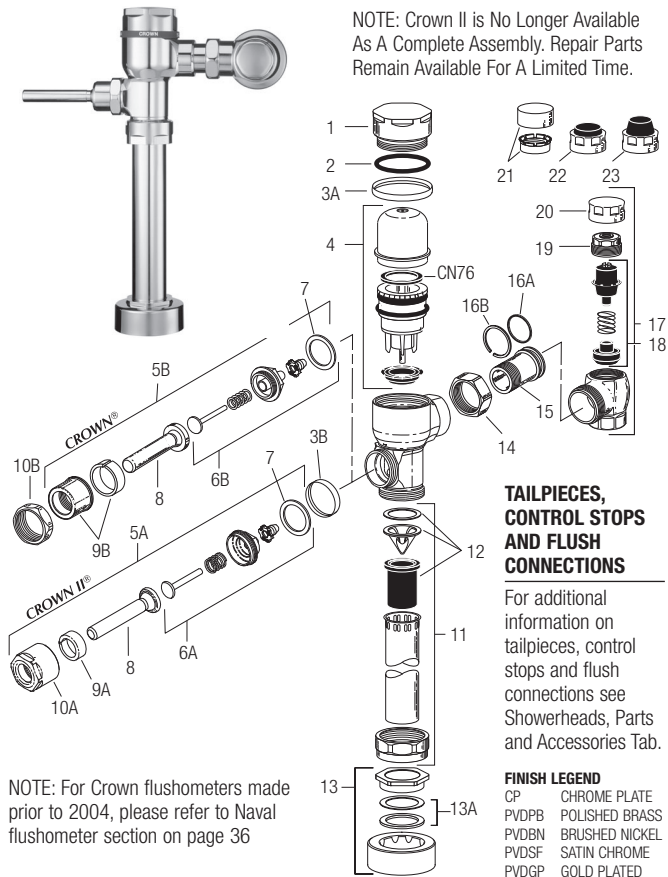
**When assistance is required, please contact**

**Sloan Technical Support at: 1-888-SLOAN-14 (1-888-756-2614).**



# Crown® Flushometer

## Crown® II (DISCONTINUED)



**TAILPIECES, CONTROL STOPS AND FLUSH CONNECTIONS**

For additional information on tailpieces, control stops and flush connections see Showerheads, Parts and Accessories Tab.

**FINISH LEGEND**

CP	CHROME PLATE
PVDPB	POLISHED BRASS
PVDBN	BRUSHED NICKEL
PVDSF	SATIN CHROME
PVDGP	GOLD PLATED

NOTE: For Crown flushometers made prior to 2004, please refer to Naval flushometer section on page 36

**PARTS LIST**

Item No.	Code No.	Part No.	Description
1.	0332006	CR-116	CP Cover
2.	0332030	CR-133	Cover O-ring
3.	0332045	CR-132-A	CP Handle and Cover Trim Ring Kit (Includes items 3A & 3B) (CROWN® II ONLY)
	0332046	CR-132-A	PVDPB Handle and Cover Trim Ring Kit (Includes items 3A & 3B) (CROWN® II ONLY)
	0332048	CR-132-A	PVDBN Handle and Cover Trim Ring Kit (Includes items 3A & 3B) (CROWN® II ONLY)
	0332049	CR-132-A	PVDSF Handle and Cover Trim Ring Kit (Includes items 3A & 3B) (CROWN® II ONLY)
3A.	0332035	CR-134	Cover Trim Ring (CROWN® ONLY)
	0332009	CR-120	PVDPB Cover Trim Ring (CROWN® II ONLY) Discontinued
	0332032	CR-120	PVDGP Cover Trim Ring (CROWN® II ONLY) Discontinued
	0332033	CR-120	PVDBN Cover Trim Ring (CROWN® II ONLY) Discontinued
	0332034	CR-120	PVDSF Cover Trim Ring (CROWN® II ONLY) Discontinued
3B.	0332005	CR-113	PVDPB Handle Trim Ring (CROWN® II ONLY) Discontinued
	0332028	CR-113	PVDBN Handle Trim Ring (CROWN® II ONLY) Discontinued
	0332029	CR-113	PVDSF Handle Trim Ring (CROWN® II ONLY) Discontinued
4.	3332003	CR-1004-A	Piston Kit – 1.6 gpf (6.0 Lpf) Water Closet
	3332013	CR-1011-A	Piston Kit – 1.28 gpf (4.8 Lpf) Water Closet
	3332004	CR-1005-A	Piston Kit – 1.0 gpf (3.8 Lpf) Urinal
	3332005	CR-1006-A	Piston Kit – 0.5 gpf (1.9 Lpf) Urinal
	3332017	CR-1015-A	Piston Kit – 0.25 gpf (1.0 Lpf) Urinal
	3332016	CR-1014-A	Piston Kit – 0.125 gpf (0.5 Lpf) Urinal

ALL PISTON KITS INCLUDE MAIN SEAT (see item 4 table to right) AND CR-124-A INSIDE COVER ASSEMBLY AS SHOWN IN ITEM 4. PISTON KIT COMPONENTS TABLE TO THE RIGHT.

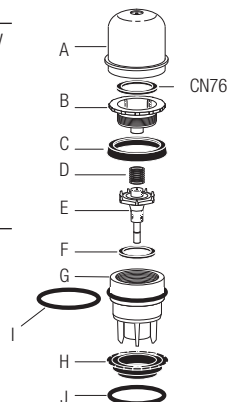
**Item**

No.	Code No.	Part No.	Description
5A.	0302353	B-30-A	ADA-Compliant Handle Assembly CP
5B.	0302390	B-73-A	ADA-Compliant Handle Assembly CP
6A.	3332006	CR-1007	Handle Repair Kit
6B.	3302306	B-51-A	Handle Repair Kit
7.	5301139	A-31	Handle Gasket – 48/pkg
8.	0302389	B-74-A	Handle Grip Sub-Assembly ADA
9A.	0302309	B-56	Sleeve
9B.	0302109	B-7-A	CP Socket Assembly
10A.	0302354	B-53	Handle Socket
10B.	0301082	A-6	CP Handle Coupling
11.	3393004	V-600-AA	3/4" x 9" (19 x 229 mm) Vacuum Breaker - 6/pkg
	3393006	V-600-AA	1-1/4" x 9" (32 x 229 mm) Vacuum Breaker - 6/pkg
	3393007	V-600-AA	1-1/2" x 9" (38 x 229 mm) Vacuum Breaker - 6/pkg
12.	3323182	V-651-A	High Back Pressure Vacuum Breaker Repair Kit
13.	3332000	CR-1008-A	3/4" (19 mm) Spud Coupling Assembly
	3332001	CR-1009-A	1-1/4" (32 mm) Spud Coupling Assembly
	3332002	CR-1010-A	1-1/2" (38 mm) Spud Coupling Assembly
13A.	<b>SEE SLIP JOINT GASKETS AND RINGS TABLE ON BOTTOM, PAGE 25</b>		
14.	0308676	H-550	Stop Coupling
15.	0308801	H-551-A	Adjustable Tailpiece (2-1/16" (52 mm) long)
16A.	5308696	H-553	O-ring – 24/pkg
16B.	5308381	H-552	Locking Ring – 12/pkg
17.	0388000	H-700-A	1" Screwdriver Bak-Chek® Stop CP
	0388001	H-700-A	3/4" Screwdriver Bak-Chek® Stop CP
18.	3308853	H-541-ASD	Control Stop Repair Kit†
	3308856	H-543-ASD	Control Stop Repair Kit† for 3/4" Stops H-600, H-640
19.	0308612	H-622	CP Bonnet †
	0308843	H-577	CP Bonnet † – DISCONTINUED
20.	3308840	H-573-A	Locking Vandal Resistant Control Stop Cap includes H-573 Stop Cap CP and H-648 Friction Ring †
	0308848	H-582	Locking Vandal Resistant Control Stop Cap CP †
21.	3308651	H-651	Vandal Resistant Control Stop Cap Assembly †
22.	3308866	H-574	Control Stop Cap w/Bumper (-YO Variation) †
23.	3308867	H-576	Control Stop Cap w/Extended Bumper (-YG Variation)†
24.	3388017	H-1017	Flow Control (HEU Only) (Not Shown)
25.	5314243	CN-76	Cover Gasket (Pack of 12)
—	0305190	EL-190-A	Handle Adapter (manual only) for Optima® version

† For use w/H-700-A 1" & 3/4" and H-600-A 1" Screwdriver Bak-Chek® Control Stops.  
‡ For use w/H-600-A 3/4" Screwdriver Bak-Chek® Control Stops.

**ITEM 4. PISTON KIT COMPONENTS**

Item	Code No.	Part No.	Description
A.	***	CR-124-A	Inside Cover Sub-Assembly
B.	***	***	Piston Cover
C.	5332095	CR-68-A	Molded Cup – 12/pkg
D.	5328019	SH-406	Spring – 12/pkg
E.	***	***	Relief Valve
F.	0307116	G-95	Relief Valve Seat
G.	***	***	Piston Body
H.	***	CR-125-A	Main Seat – 6/pkg (1.0 gpf)
	***	CR-170-A	Main Seat – 6/pkg (0.125 gpf, 0.25 gpf and 0.5 gpf)
I.	0307210	G-85	Filter O-ring
J.	0332124	CR-169	O-ring (for use with CR-125-A main seat ONLY)†
	5308958	H-589	O-ring* 6/pkg



\* Components are NOT interchangeable  
\*\*\* Indicates component is NOT available separately

# Crown® Flushometer

## Crown® II (DISCONTINUED)

### TROUBLESHOOTING GUIDE

**IMPORTANT:** The CROWN® flushometer is engineered for quiet operation. Excessive water flow creates noise, while too little water flow may not satisfy the needs of the fixture. Proper adjustment is made when plumbing fixture is cleansed after each flush without splashing water out from the lip AND a quiet flushing cycle is achieved.

Never open control stop to where the flow from the valve exceeds the flow capability of the fixture. In the event of a valve failure, the fixture must be able to accommodate a continuous flow from the valve.

**ATTENTION INSTALLERS:** With the exception of the control stop inlet, **DO NOT USE** pipe sealant or plumbing grease on any valve component or coupling! To protect the chrome or special finish of Sloan flushometers, **DO NOT USE** toothed tools to install or service these valves. Use our A-50 Super Wrench or other smooth-jawed wrench to secure couplings. Regulations for low consumption fixtures (1.6 gpf/6.0 Lpf closets and 1.0 gpf/3.8 Lpf urinals) prohibit use of higher flush volumes.

**1. Valve DOES NOT function.**

- A. Control stop or main valve is closed. Open control stop or main valve.
- B. Handle assembly is worn. Install Sloan handle repair kit, or replace handle.
- C. Relief valve is worn and sticking in UP position. Replace piston.

**2. Insufficient volume of water to adequately siphon fixture.**

- A. Control stop not open enough. Adjust control stop for desired delivery of water.
- B. Urinal piston parts inside a closet valve. Replace piston parts with proper closet piston.
- C. Low consumption valve installed on a non-low consumption fixture. Replace with proper flushometer. Crown® flushometers are not available with flush volume higher than 1.6 gpf/6.0 Lpf.
- D. Inadequate volume or pressure at supply. Increase water pressure or supply (flow) to valve. Consult factory for assistance.

**3. Length of flush too short (short flushing) or valve closes off immediately.**

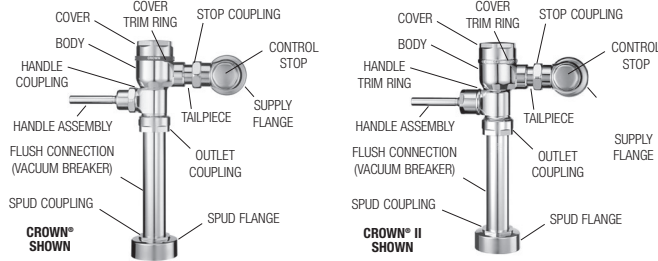
- A. Piston assembly is not hand-tight. Screw the assembly hand-tight.
- B. Enlarged bypass orifice from corrosion or damage. Install NEW inside parts kit to correct problem and update flushometer.
- C. Urinal piston in closet flushometer. Replace piston with proper closet piston.
- D. Low consumption piston installed in non-low consumption fixture. Replace with proper flushometer. Crown® flushometers are not available with flush volume higher than 1.6 gpf (6.0 Lpf).
- E. Handle assembly worn. Install Sloan handle repair kit.

**4. Length of flush too long (long flushing) or fails to close off.**

- A. Piston is not seating properly or bypass orifice is clogged because of foreign material, or bypass orifice is clogged by an invisible gelatinous film from "over-treated" water. Disassemble the working parts and wash thoroughly. NOTE: Size of the orifice in the bypass is of utmost importance for the proper metering of water into the upper chamber of the valve. DO NOT enlarge or damage this orifice. Replace piston if cleaning does not correct problem.
- B. Line pressure has dropped and is not sufficient to force relief valve to seat. Shut off all control stops until pressure has been restored, then open them again.
- C. Main seat is fouled with debris or is worn. Clean or replace main seat.

**5. Leaking at handle assembly.**

- A. The B-85 seal may have deteriorated. Install new B-85 seal. NOTE: The B-85 seal will easily slide onto the bushing if it is wet.
- B. Handle gasket has been omitted. Install A-31 handle gasket or Sloan handle repair kit.
- C. Valve handle bushing is worn. Install Sloan handle repair kit.



**DISCONTINUED**

**CARE AND CLEANING**

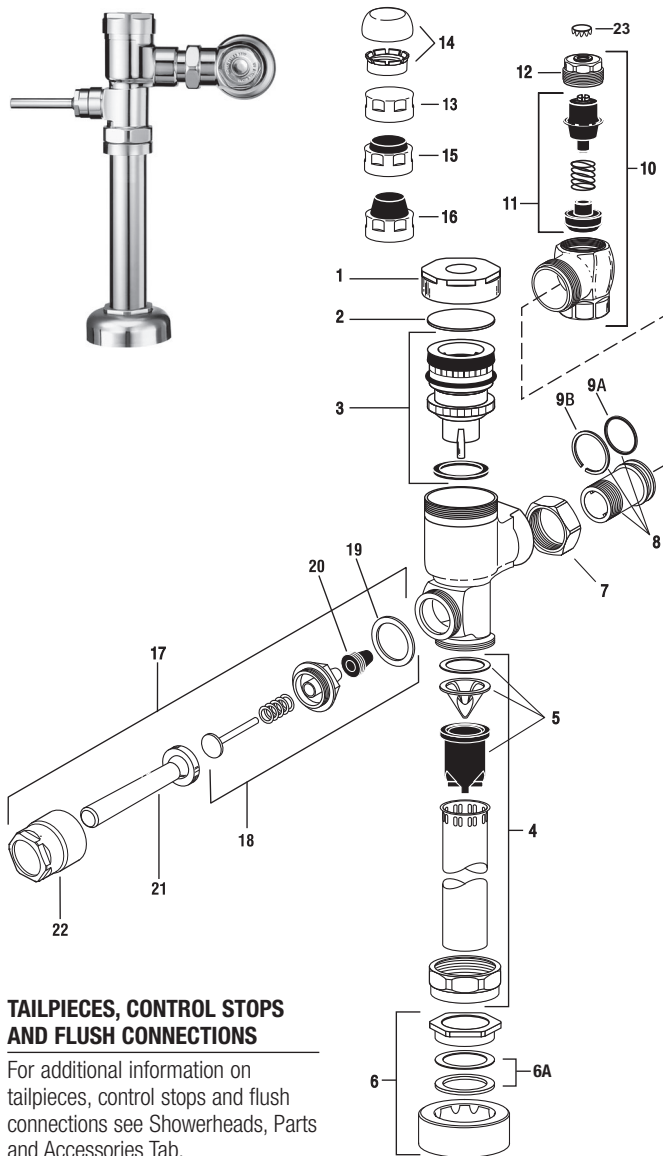
**DO NOT USE** abrasive or chemical cleaners (including chlorine bleach) to clean flushometers that may dull the luster and attack the chrome or special decorative finishes. Use **ONLY** mild soap and water, then wipe dry with clean cloth or towel.

While cleaning the bathroom tile, the flushometer should be protected from any splattering of cleaner. Acids and cleaning fluids will discolor or remove chrome plating.

Piston Identification Chart	Water Closet		Urinal			
	CR-1004-A	CR-1011-A	CR-1005-A	CR-1006-A	CR-1015-A	CR-1014-A
Piston Color	3332003	3332013	3332004	3332004	3332017	3332016
Cap Color	1.6 gpf (6.0 Lpf)	1.28 gpf (4.8 Lpf)	1.0 gpf (3.8 Lpf)	0.5 gpf (1.9 Lpf)	0.25 gpf (1.0 Lpf)	0.125 gpf (0.5 Lpf)
Stem Grooves						
Barrel (Large Ribs or Small Ribs)						
Cap Color	Green	Deep Purple	Yellow	Red	Burgundy	Pink
Piston Color	Green	Green	Clear	Burgundy	Burgundy	Burgundy
Barrel	Large Ribs	Large Ribs	Small Ribs	—	—	—
Seat Color	Green	Green	Black	Burgundy	Burgundy	Burgundy
Grooves	2	0	1	2	1	3

**When assistance is required, please contact Sloan Technical Support at: 1-888-SLOAN-14 (1-888-756-2614).**

## Gem-2® Flushometer



### TAILPIECES, CONTROL STOPS AND FLUSH CONNECTIONS

For additional information on tailpieces, control stops and flush connections see Showerheads, Parts and Accessories Tab.

### ITEM 6A. SLIP JOINT GASKETS AND RINGS

Size	Code No.	Part No.	Description
1-1/2"	<b>5306058</b>	F-3	Red Friction Ring
	<b>5322001</b>	VBF-5	Black Slip Joint Gasket
	<b>0319086/5319086</b>	S-30	Flexible Seat
	<b>0319079</b>	S-21	Rigid Seat (rubber over brass)
1-1/2" x 1-1/4"	<b>0396062</b>	F-105	Slip Joint Gasket – Rigid
1-1/4"	<b>5306057</b>	F-3	Red Friction Ring
	<b>5322176</b>	VBF-5	Black Slip Joint Gasket
	<b>0307052/5307052</b>	G-21	Rigid Seat (rubber over brass)
1"	<b>5306056</b>	F-3	Red Friction Ring
	<b>5306115</b>	F-5	Black Slip Joint Gasket
	3/4"	<b>5306055</b>	F-3
<b>5306113</b>		F-5	Black Slip Joint Gasket

### PARTS LIST

Item No.	Code No.	Part No.	Description
1.	<b>0307142</b>	G-105	CP Cover
2.	<b>0307139</b>	G-106	Slip Disc
3.	<b>3307135</b>	G-1022-A	Piston Kit – 1.28 gpf/4.8 Lpf Water Closet
	<b>0307193</b>	G-1007-A	Piston Kit – 3.5 gpf/13.2 Lpf Water Closet
	<b>0307195</b>	G-1016-A	Piston Kit – 1.6 gpf/6 Lpf Water Closet
	<b>0307192</b>	G-1009-A	Piston Kit – 1.5 gpf/5.7 Lpf Urinal
	<b>0307185</b>	G-1017-A	Piston Kit – 1.0 gpf/3.8 Lpf Urinal
	<b>3307133</b>	G-1018-A	Piston Kit – 0.5 gpf/1.9 Lpf Urinal
	<b>3307134</b>	G-1019-A	Piston Kit – 2.4 gpf/9.0 Lpf Water Closet
	<b>3307136</b>	G-1023-A	Piston Kit – 0.125 gpf/0.5 Lpf Urinal
	<b>3307137</b>	G-1024-A	Piston Kit – 0.25 gpf/1.0 Lpf Urinal

### PISTON KITS FOR OLD STYLE ADJUSTABLE GEM FLUSHOMETERS

<b>0307043</b>	G-1003-A	Piston Kit – Water Closet
<b>0307044</b>	G-1002-A	Piston Kit – Urinal

### ALL PISTON KITS INCLUDE G-21 MAIN SEAT (See next page)

4.	<b>5323005</b>	V-500-AA	3/4" x 9" Vacuum Breaker – 6 per package
	<b>5323006</b>	V-500-AA	1-1/4" x 9" Vacuum Breaker – 6 per package
	<b>5323007</b>	V-500-AA	1-1/2" x 9" Vacuum Breaker – 6 per package
5.	<b>3323192</b>	V-551-A	Vacuum Breaker Repair Kit
6.	<b>3332002</b>	CR-1010-A	1-1/2" (38 mm) Spud Coupling
	<b>3332001</b>	CR-1009-A	1-1/4" (32 mm) Spud Coupling
	<b>3332000</b>	CR-1008-A	3/4" (19 mm) Spud Coupling
6A.	<b>SEE SLIP JOINT GASKETS AND RINGS TABLE BELOW LEFT</b>		
7.	<b>0308676</b>	H-550	Stop Coupling
8.	<b>0308801</b>	H-551-A	Adjustable Tailpiece 2-1/16" (Standard Length)
9A.	<b>5308696</b>	H-553	O-ring – 24 per package
9B.	<b>5308381</b>	H-552	Locking ring – 12 per package
10.	<b>3308876</b>	H-790-A	1" Screwdriver Bak-Chek® Stop CP – complete
	<b>3308875</b>	H-790-A	3/4" Screwdriver Bak-Chek® Stop CP – complete
11.	<b>3308853</b>	H-541-A	Control Stop Repair Kit*
	<b>3308856</b>	H-543-A	Control Stop Repair Kit**
12.	<b>0308612</b>	H-622	CP Bonnet*
	<b>0308843</b>	H-577	CP Bonnet** – DISCONTINUED
13.	<b>3308840</b>	H-573-A	Control Stop Cap**
14.	<b>3388017</b>	H-1017	Flow Control (HEU Only) (Not Shown)
15.	<b>3308866</b>	H-574	Control Stop w/Bumper (-YO Variation)*
16.	<b>3308867</b>	H-576	Control Stop w/Extended Bumper (-YG Variation)*

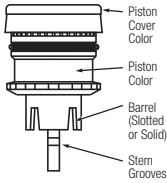
### HANDLE REPAIR KIT

17.	<b>0307100</b>	G-143	Handle Assembly
18.	<b>5307074</b>	G-50-A	Handle Repair Kit – 6 per package
19.	<b>5307065</b>	G-35	Handle Gasket – 48 per package
20.	<b>5302297</b>	B-39	Handle Seal – 12 per package
21.	<b>0307024</b>	G-145	Handle Grip
22.	<b>0307020</b>	G-144	Handle Socket
23.	<b>3308840</b>	H-528	Control Stop Plug CP* Standard on XL

\*For use with 1" and 3/4" H-700-A and 1" H-600-A Bak-Chek® screwdriver control stop

\*\*For use with 3/4" H-600-A Bak-Chek® screwdriver control stop

## Gem-2® Flushometer

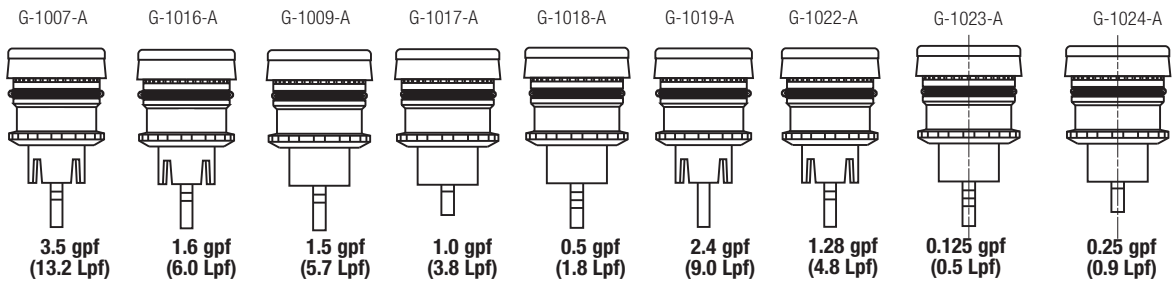


Gem-2 Pistons can be identified by the color, shape and marking of the above components.

### ITEM 3. PISTON KITS

Code No.	Part No.	Description	Cover Color	Piston Color	Barrel	Grooves
<b>0307193</b>	G-1007-A	3.5 gpf (13.2 Lpf) – Water Closet	White	Gray	Slotted	2
<b>0307195</b>	G-1016-A	1.6 gpf (6.0 Lpf) – Water Closet	Green	Green*	Slotted	2
<b>0307192</b>	G-1009-A	1.5 gpf (5.7 Lpf) – Urinal	Black	Black	Solid	2
<b>0307185</b>	G-1017-A	1.0 gpf (3.8 Lpf) – Urinal	Yellow	Black	Solid	1
<b>3307133</b>	G-1018-A	0.5 gpf (1.8 Lpf) – Urinal	Red	Black	Solid	3
<b>3307134</b>	G-1019-A	2.4 gpf (9.0 Lpf) – Water Closet	Blue	Gray	Slotted	0
<b>3307135</b>	G-1022-A	1.28 gpf (4.8 Lpf) – Water Closet	Deep Purple	Tan*	Slotted	2
<b>3307136</b>	G-1023-A	0.125 gpf (0.5 Lpf) – Urinal	Pink	Burgundy	Solid	3
<b>3307137</b>	G-1024-A	0.25 gpf (0.9 Lpf) – Urinal	Burgundy	Burgundy	Solid	1

\*Prior to February 2020 piston body color was black



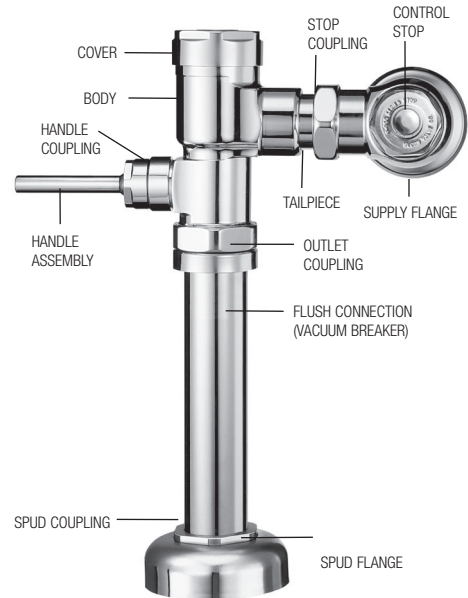
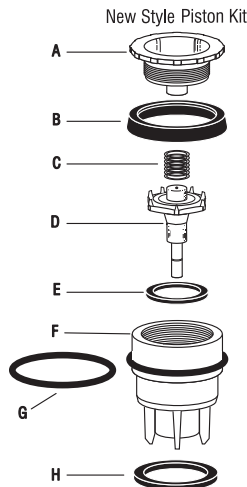
### ITEM 3. PISTON COMPONENTS

Item	Code No.	Part No.	Description
A.	***	***	Piston Cover
B.	<b>5307106</b>	G-78	Molded Cup – 12 per package
C.	<b>0307130</b>	G-102	Spring
D.	***	***	Relief Valve
E.	<b>0307116</b>	G-95	Relief Valve Seat
F.	***	***	Piston Body
G.	<b>0307210</b>	G-85	Filter O-ring
H.	<b>5307052</b>	G-21	Main Seat – 6 per package

### REPAIR KIT

Code No.	Part No.	Description
<b>3307128</b>	G-1011-A	Repair Kit includes Items: 2, B, C, E, G & H

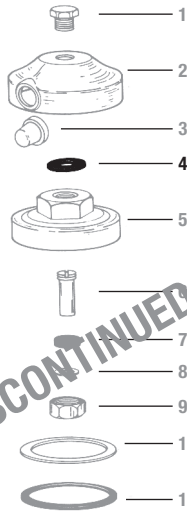
For old style adjustable GEM flushometers use kit: G-1005-A  
 \*\*\* Indicates component is NOT available separately



## Gem-2® Flushometer

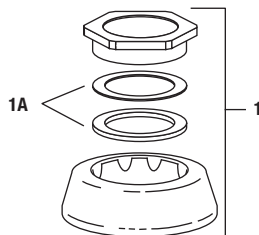
### REPAIR PARTS FOR OLD STYLE GEM FLUSHOMETERS (PRE-1985) Adjustable Cover

Item No.	Code No.	Part No.	Description
1.	—	G-24	CP Cover Screw – <b>DISCONTINUED</b>
2.	—	G-23	CP Cover – <b>DISCONTINUED</b>
	—	G-26	CP Cover for Bumper – <b>DISCONTINUED</b>
3.	—	G-27	Bumper (12 per package) – <b>DISCONTINUED</b>
4.	<b>0307058</b>	G-25	Cover Gasket (12 per package)
5.	—	G-4	RB Inside Cover – <b>DISCONTINUED</b>
6.	—	G-6	RB Regular Screw – <b>DISCONTINUED</b>
7.	—	S-26	Packing <b>DISCONTINUED</b>
8.	—	S-24	Packing Disc <b>DISCONTINUED</b>
9.	—	G-10	RB Packing Nut – <b>DISCONTINUED</b>
10.	—	G-65	Gasket – <b>DISCONTINUED</b>
11.	—	G-5	Gasket <b>DISCONTINUED</b>



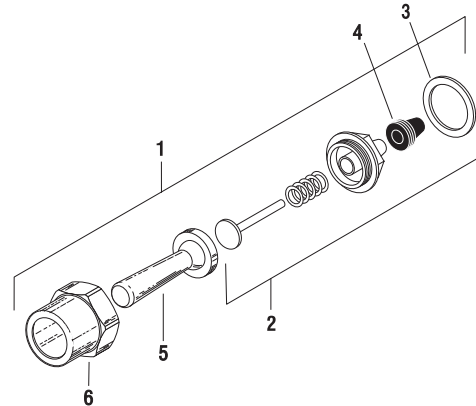
### SPUD COUPLING FOR OLD STYLE GEM FLUSHOMETERS (PRE-MAY, 2003)

Item No.	Code No.	Part No.	Description
1.	<b>0306125</b>	F-5-A	3/4" Spud Coupling
	<b>0305140</b>	F-5-A	1-1/4" Spud Coupling
	<b>0306146</b>	F-5-A	1-1/2" Spud Coupling
1A.	<b>SEE SLIP JOINT GASKETS AND RINGS TABLE ON BOTTOM, PAGE 37</b>		



### HANDLE ASSEMBLY FOR OLD STYLE GEM FLUSHOMETERS (PRE-MAY, 2003)

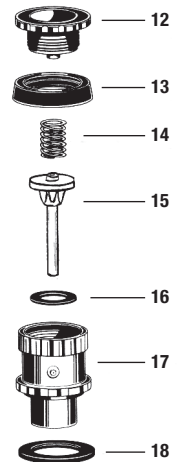
Item No.	Code No.	Part No.	Description
1.	<b>0307100</b>	G-143-A	Handle Assembly – 6 per package
2.	<b>5307074</b>	G-50-A	Handle Repair Kit – 6 per package
3.	<b>5307065</b>	G-35	Handle Gasket – 48 per package
4.	<b>5302297</b>	B-39	Handle Seal – (12 per package)
5.	G-36		Handle Grip
6.	G-28		Handle Socket



### REPAIR PARTS FOR OLD STYLE PISTON

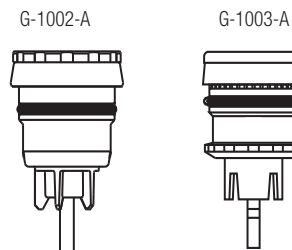
Item No.	Code No.	Part No.	Description
12.	<b>0307105</b>	G-77	Piston Cover
13.	<b>0307106</b>	G-78	Molded Cup*
14.	<b>0307113</b>	G-84	Spring
15.	<b>0307110</b>	B-81-A	Relief Valve
16.	<b>0307112</b>	G-83	Relief Valve Seat
17.	—	G-75	Closet Piston Body
	—	G-76	Urinal Piston Body
18.	<b>0307052</b>	G-21	Main Seat

\* In addition must replace w/ G105 & G-106



### PISTON KITS FOR OLD STYLE ADJUSTABLE GEM VALVES

Code No.	Part No.	Description	Piston Color	Barrel	Grooves
<b>0307044</b>	G-1002-A	Urinal	Black	Solid	0
<b>0307043</b>	G-1003-A	Water Closet	Black	Slotted	0





## Gem-2® Flushometer

### TROUBLESHOOTING GUIDE

**IMPORTANT:** The GEM flushometer is engineered for quiet operation. Excessive water flow creates noise, while too little water flow may not satisfy the needs of the fixture. Proper adjustment is made when plumbing fixture is cleansed after each flush without splashing water out from the lip AND a quiet flushing cycle is achieved.

Never open Control Stop to where the flow from the valve exceeds the flow capability of the fixture. In the event of a valve failure, the fixture must be able to accommodate a continuous flow from the valve.

**ATTENTION INSTALLERS:** With the exception of the control stop inlet, **DO NOT USE** pipe sealant or plumbing grease on any valve component or coupling! To protect the chrome or special finish of Sloan flushometers, **DO NOT USE** toothed tools to install or service these valves. Use our A-50 Super Wrench or other smooth-jawed wrench to secure couplings. Regulations for low consumption fixtures (1.6 gpf/6.0 Lpf closets and 1.0 gpf/3.8 Lpf urinals) prohibit use of higher flush volumes.

#### 1. Valve DOES NOT function.

- A. Control stop or main valve is closed. Open control stop or main valve.
- B. Handle assembly is worn. Install handle repair kit G-50-A or replace handle.
- C. Relief valve is worn and sticking in UP position. Replace piston.

#### 2. Insufficient volume of water to adequately siphon fixture.

- A. Control stop not open enough. Adjust control stop for desired delivery of water.
- B. Urinal piston parts inside a closet valve. Replace piston parts with proper closet piston.
- C. Low consumption valve installed on a non-low consumption fixture. Replace with proper piston kit.
- D. Inadequate volume or pressure at supply. Increase water pressure or supply (flow) to valve. Consult factory for assistance.

#### 3. Length of flush too short (short flushing) or valve closes off immediately.

- A. Piston assembly is not hand-tight. Screw the assembly hand-tight.
- B. Enlarged bypass orifice from corrosion or damage. Install NEW inside parts kit to correct problem and update flushometer.
- C. Urinal piston in closet flushometer. Replace piston with proper closet piston.
- D. Low consumption piston installed in non-low consumption fixture. Replace with proper piston kit.
- E. Handle assembly worn. Install handle repair kit G-50-A.

#### 4. Length of flush too long (long flushing) or fails to close off.

- A. Piston is not seating properly or bypass orifice is clogged because of foreign material, or bypass orifice is clogged by an invisible gelatinous film from "over-treated" water. Disassemble the working parts and wash thoroughly. **NOTE:** Size of the orifice in the bypass is of utmost importance for the proper metering of water into the upper chamber of the valve. **DO NOT** enlarge or damage this orifice. Replace piston if cleaning does not correct problem.
- B. Line pressure has dropped and is not sufficient to force relief valve to seat. Shut off all control stops until pressure has been restored, then open them again.
- C. 3.5 gpf closet piston has been used in a 1.0 or 1.5 gpf urinal or on a 1.6 gpf toilet. Replace with proper piston.
- D. G-21 main seat is fouled with debris or is worn. Clean or replace main seat.

#### 5. Leaking at handle assembly.

- A. The B-39 seal may have deteriorated. Install new B-39 seal. **NOTE:** The seal will easily slide right onto the bushing if it is wet.
- B. Handle gasket is missing. Install G-35 handle gasket or Sloan handle repair kit G-50-A.
- C. Valve handle bushing is worn. Install Sloan handle repair kit G-50-A.

### CARE AND CLEANING

**DO NOT USE** abrasive or chemical cleaners to clean flushometers as they may dull the luster and attack the chrome or special decorative finishes. Use **ONLY** mild soap and water, then wipe dry with clean cloth or towel.

While cleaning the bathroom tile, the flushometer should be protected from any splattering of cleaner. Acids and cleaning fluids can discolor or remove chrome plating.

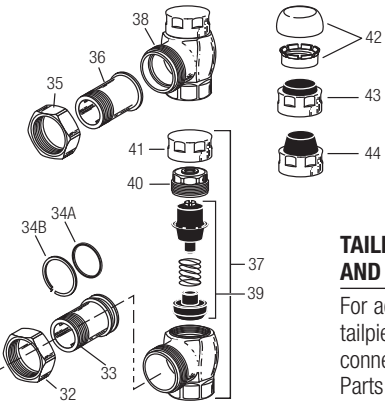
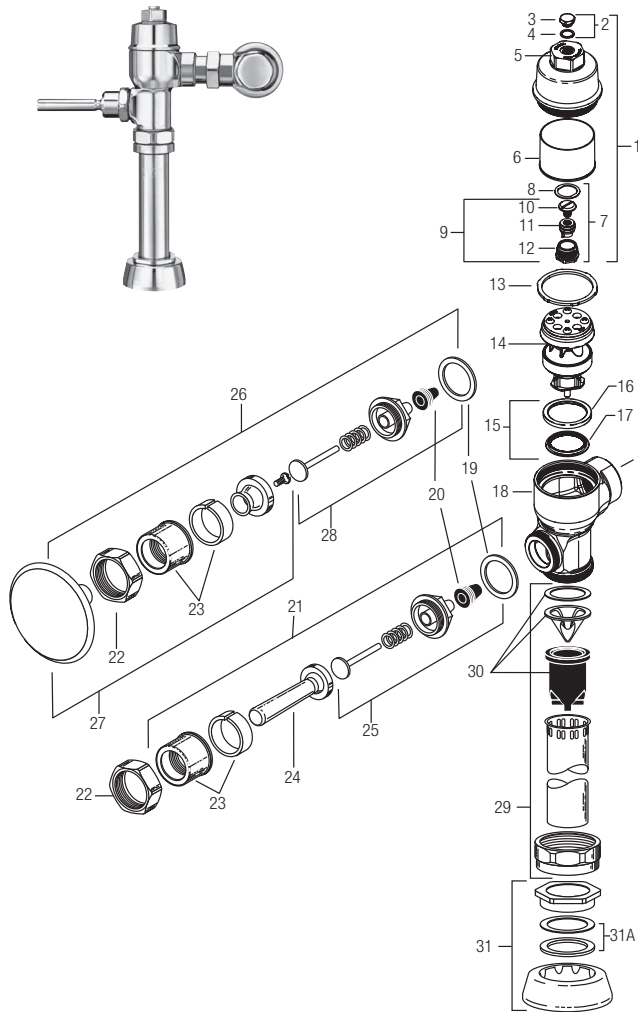
**When assistance is required, please contact**

**Sloan Technical Support at: 1-888-SLOAN-14 (1-888-756-2614).**



# Naval® Flushometer

Also for use with Crown® (Old style),  
Star and Marine



### TAILPIECES, CONTROL STOPS, AND FLUSH CONNECTION'S

For additional information on tailpieces, control stops and flush connections see Showerhead's, Parts and Accessories Tab.

### PARTS LIST

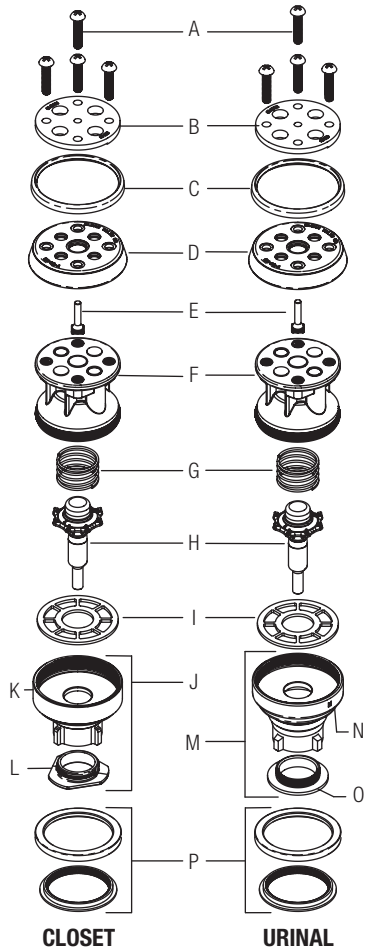
Item No.	Code No.	Part No.	Description
1.	0314229	CN-86-A	Cover Assembly CP
	0314310	CN-89-A	Cover Assembly CP One Pint* 1.6 gpf/6.0 Lpf, 1.0 gpf/3.8 Lpf
2.	5314010	CN-1007-A	Cap Screw Repair Kit – 6 per package
3.	0314208	CN-36	Cover Screw CP
4.	0314209	CN-30	Cover Screw Gasket
5.	0314304	CN-84	Cover
6.	0214019	CN-55	Cover Liner
7.	3314015	CN-1008-A	Regulating Screw Repair Kit**
8.	0314303	CN-81	Volume Adjustment Gasket
9.	0314315	CN-88-A	Low Consumption Volume Adjustment Sleeve Sub-Assembly 1.6 gpf/6.0 Lpf, 1.0 gpf/3.8 Lpf
10.	0314302	CN-80	Volume Adjustment Screw
11.	0314300	CN-78	Volume Adjustment Sleeve
	0314307	CN-87	Volume Adjustment Sleeve One Pint***
12.	0314301	CN-79	Volume Adjustment Housing
13.	5314243	CN-76	Cover Gasket – 12 per package
	0314016	CN-1002-A	Piston – Closet
	0314017	CN-1003-A	Piston – Urinal
15.	0314234	CN-21-A	Main Seat Assembly
16.	0314224	CN-111-A	Main Seat
	0314220	CN-113	Main Seat Ring
18.	0314020	CN-3	Body CP (Not sold separately)
19.	5301139	A-31	Handle Gasket – 48 per package

Item No.	Code No.	Part No.	Description
20.	5302297	B-39	Handle Seal – 12 per package
21.	0302390	B-73-A	Triple Seal Handicap Handle Assembly (ADA Compliant)
22.	0301082	A-6	Handle Coupling CP
23.	0302109	B-7-A	Socket Assembly CP
24.	0302389	B-74-A	Handicap Handle Grip CP (ADA Compliant)
25.	3302306	B-51-A	Triple Seal Handle Repair Kit – 1 per package
26.	0303351	C-42-A	3" Push Button Assembly CP
27.	3303347	C-1000-A	3" Push Button Replacement Kit
28.	3303396	C-64-A	3" Push Button Repair Kit
29.	5323005	V-500-AA	3/4" x 9" Vacuum Breaker
	5323006	V-500-AA	1-1/4" x 9" Vacuum Breaker
	5323007	V-500-AA	1-1/2" x 9" Vacuum Breaker
30.	3323192	V-551-A	Vacuum Breaker Repair Kit
31.	0306125	F-5-AW	3/4" Spud Coupling CP
	0306140	F-5-AU	1-1/4" Spud Coupling CP
	0306146	F-5-AT	1-1/2" Spud Coupling CP
31A.	<b>SEE SLIP JOINT GASKETS AND RINGS TABLE ON BOTTOM, PAGE 42</b>		
32.	0308676	H-550	Stop Coupling CP
33.	0314289	NH-551-A	Adjustable Tailpiece 2-1/16" CP
34A.	5308696	H-553	O-ring – 24 per package
34B.	5308381	H-552	Locking ring – 12 per package
35.	0308063	H-6	Ground Joint Stop Coupling CP
36.	0314028	NH-5	Ground Joint Tailpiece 1-5/8"
37.	0388022	H-710-A	1" Adjustable Tailpiece SD Bak-Chek® Control Stop CP
	0388025	H-710-A	3/4" Adjustable Tailpiece SD Bak-Chek® Control Stop CP
38.	0388024	H-710-AG	1" Ground Joint Screwdriver Bak-Chek® Control Stop CP
	0388026	H-710-AG	3/4" Ground Joint Screwdriver Bak-Chek® Control Stop CP
39.	3308853	H-541-A	Control Stop Repair Kit †
	3308856	H-543-A	Control Stop Repair Kit †
40.	0308612	H-622	Bonnet CP †
	0308843	H-577	Bonnet CP † – <b>DISCONTINUED</b>
41.	0308840	H-573	Control Stop Cap CP †
	0308848	H-582	Control Stop Cap CP †
42.	3308772	H-1010-A	Vandal Resistant Stop Cap Assembly †
	3308790	H-1009-A	Vandal Resistant Stop Cap Assembly †
43.	3308866	H-574	Control Stop Cap with Bumper †
44.	3308867	H-576	Control Stop Cap with Extended Bumper†

\* Use CN-89-A Cover Assembly One-Pint for reduced flush volumes 1.6 gpf/6.0 Lpf, 1.0 gpf/3.8 Lpf  
 \*\* CN-1008-A Regulating Screw Repair Kit contains the parts shown plus the parts for old style adjusting screw as currently shown on the repair guide (CN-24, CN-25, CN-26, CN-61)  
 \*\*\*Use CN-87 Volume Adjustment Sleeve One-Pint for reduced flush volumes  
 † For use with 1" and 3/4" H-740-A-CP (less cap) and 1" H-540-A-CP (w/H-37 cap) Bak-Chek® screwdriver control stops  
 ‡ For use with 3/4" H-740-A-CP Bak-Chek® screwdriver control stops

# Naval® Flushometer

Also for use with Crown® (Old style),  
Star and Marine



### NAVAL PISTON COMPONENTS (Items 14 thru 17 on previous page)

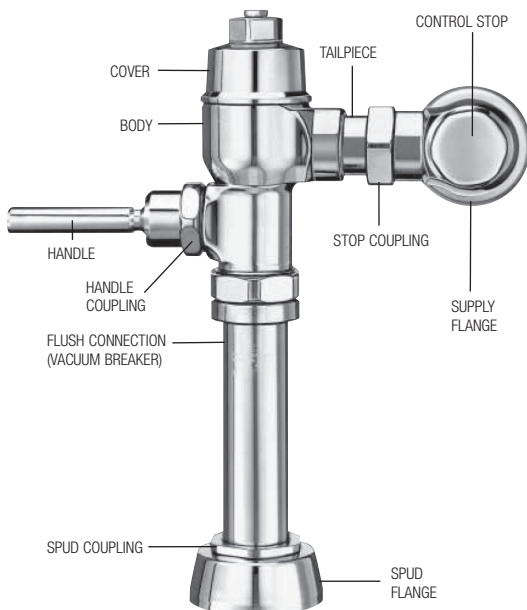
Item	Code No.	Part No.	Description
A.	<b>0314200</b>	CN-17	Top Plate Screws – 24 per package
B.	<b>0314082</b>	CN-15	Top Plate
	<b>0314179</b>	CN-15-A	Top Plate – Shower Valve only
C.	<b>0314314</b>	CN-92	Support Cup Lip Seal
D.	<b>5314188</b>	CN-68-A	Single Lip Cup – 12 per package
E.	<b>0314204</b>	CN-57	Xpelor
F.	<b>0314228</b>	CN-160	Piston Body
G.	<b>5328019</b>	SH-406	Spring – 12 per package (Replaces S/CN-58 Safety Bar)
H.	<b>0314078</b>	CN-18-A	Relief Valve
I.	<b>5314226</b>	CN-120	Relief Valve Seat – 12 per package
J.	<b>0314240</b>	CN-123-AC	Guide Assembly – Closet
K.	<b>0314231</b>	CN-23	Guide – Closet
L.	<b>0314237</b>	CN-144	Restriction Ring – Closet
M.	<b>0314242</b>	CN-123-AU	Guide Assembly – Urinal
N.	<b>0314189</b>	CN-43	RC Guide – Urinal
O.	—	CN-45	NK Restriction Ring – Urinal
P.	<b>0314234</b>	CN-21-A	Main Seat
	<b>0314223</b>	CN-121-A	Main Seat – Shower Valve only

NOTE: Naval® pistons can be used to replace pistons in older Crown® and Star flushometers.

### REPAIR KITS

Code No.	Part No.	Description
<b>0314016</b>	CN-1002-A	Piston with Main Seat – Closet
<b>0314017</b>	CN-1003-A	Piston with Main Seat – Urinal
<b>5314094</b>	CN-1004-A	Piston Rebuild Kit – Closet & Urinal – 6 per package includes: 13, A, B, C, D, E, I, K, Cap Screw Gasket & Regulating Screw Packing
<b>5314184</b>	CN-1006-A	Piston Rebuild Kit – Shower – 6 per package includes: 13, A, B, C, D, E, I, K, Cap Screw Gasket & Regulating Screw Packing
<b>5314184</b>	CN-1008-A	Regulating Screw Repair Kit – includes: 2, 8, 9, CN-24 Packing Disc, CN-25 Packing Gland, CN-26 Packing Regulating Screw, CN-61 Screw Regulating Stable Piston
<b>0314191</b>	CN-1009-A	Piston with Main Seat – Shower
<b>5314050</b>	CN-1010-A	Crown®/Naval® Valve Washer Set – 6 per package includes: 13, 19, 20, C, D, I, K, Cap Screw Gasket & Regulating Screw Packing
<b>5319049</b>	S-14-AA	Double Cup Repair Kit (Old style Crown, Star and Marine)
<b>5319046</b>	S-14-A	Double Cup Lip Seal only (Old style Crown, Star and Marine)

NOTE: Older Crown® pistons need S-14-A W/CN-1002, 1003 & 1009 if replacing piston.



### ITEM 31A. SLIP JOINT GASKETS AND RINGS

Size	Code No.	Part No.	Description
1-1/2"	<b>5306058</b>	F-3	Red Friction Ring
	<b>5322001</b>	VBF-5	Black Slip Joint Gasket
	<b>0319086/5319086</b>	S-30	Flexible Seat
	<b>0319079</b>	S-21	Rigid Seat (rubber over brass)
1-1/2" x 1-1/4"	<b>0396062</b>	F-105	Slip Joint Gasket – Rigid
1-1/4"	<b>5306057</b>	F-3	Red Friction Ring
	<b>5322176</b>	VBF-5	Black Slip Joint Gasket
	<b>0307052/5307052</b>	G-21	Rigid Seat (rubber over brass)
1"	<b>5306056</b>	F-3	Red Friction Ring
	<b>5306115</b>	F-5	Black Slip Joint Gasket
3/4"	<b>5306055</b>	F-3	Red Friction Ring
	<b>5306113</b>	F-5	Black Slip Joint Gasket

## Naval® Flushometer

Also for use with Crown® (Old style),  
Star and Marine

### TROUBLESHOOTING GUIDE

**IMPORTANT:** The NAVAL® flushometer is engineered for quiet operation. Excessive water flow creates noise, while too little water flow may not satisfy the needs of the fixture. Proper adjustment is made when plumbing fixture is cleansed after each flush without splashing water out from the lip AND a quiet flushing cycle is achieved.

Never open Control Stop to where the flow from the valve exceeds the flow capability of the fixture. In the event of a valve failure, the fixture must be able to accommodate a continuous flow from the valve.

**ATTENTION INSTALLERS:** With the exception of the control stop inlet, DO NOT USE pipe sealant or plumbing grease on any valve component or coupling! To protect the chrome or special finish of Sloan flushometers, DO NOT USE toothed tools to install or service these valves. Use our A-50 Super-Wrench™ or other smooth-jawed wrench to secure couplings. Regulations for low consumption fixtures (1.6 gpf/6.0 Lpf closets and 1.0 gpf/3.8 Lpf urinals) prohibit use of higher flush volumes.

**NOTE:** In all piston variations the SH-406 spring has replaced the "U" bar. In all piston variations the CN-68-A single lip cup has replaced the S-14-A double lip cup. When rebuilding a piston, install the CN-68-A single lip cup with the cup facing down.

#### 1. Valve DOES NOT function.

- A. Control stop or main valve closed. Open control stop or main valve.
- B. Handle assembly is worn. Install handle repair kit B-51-A or replace handle.

#### 2. Insufficient volume of water to adequately siphon fixture.

- A. Control stop not open enough. Adjust control stop for desired delivery of water.
- B. Urinal or shower piston installed in a closet valve or older blow out urinal. Replace piston with proper closet piston (see item 4).
- C. Regulating screw (on top of valve) not at proper setting. Turn regulating screw counterclockwise to increase flush. Adjustment range: urinal – 0.5 to 3 gpf (1.9 to 11.4 Lpf); closet – 1.5 to 7 gpf (5.7 to 26.5 Lpf).
- D. Piston worn out. Repair or replace piston.
- E. Inadequate volume or pressure at supply. If no gauges are available to properly measure supply pressure or volume of water at the valve, then completely remove the entire piston from the valve, reassemble cover and open control stop to allow water to pass through empty valve. If the supply is adequate to siphon the fixture, remove the flow ring from the bottom of the piston to provide additional flow. If the supply is not adequate to siphon the fixture, steps should be taken to increase the pressure and/or supply.

#### 3. Length of flush too short (short flushing) or valve closes off immediately.

- A. Regulating screw not at a proper setting. Turn regulating screw counterclockwise to lengthen flush.
- B. Water passing by damaged or worn piston cup. Repair or replace piston.
- C. Loose piston assembly or loose top plate screw. Tighten top plate screws. Screw piston body and guide together (hand tighten ONLY – rubber relief valve seat will distort if screwed too tight).
- D. Damaged or worn piston top plate or expelor. Repair or replace piston.
- E. Urinal or shower piston installed in a closet valve or older blow out urinal. Replace piston with closet piston CN-1002-A.

#### 4. Length of flush too long (long flushing) or fails to close off.

- A. Regulating screw not at proper setting. Turn regulating screw clockwise to shorten flush.
- B. Relief valve in piston is not seating properly due to wear or debris. Disassemble piston assembly and wash under running water. Repair or replace piston if necessary.
- C. Bypass holes in piston or top plate clogged or fouled with debris. Disassemble piston assembly and wash under running water. Repair or replace piston if necessary.
- D. Closet piston installed in urinal valve. Replace piston with urinal piston CN-1003-A.
- E. Line water pressure has dropped and is not sufficient to force relief valve to seat. Shut off control stop until pressure has been restored, then reopen stop.

#### 5. Water splashes from fixture.

- A. Supply volume is more than necessary. Adjust control stop to meet flow rate required for proper cleansing of fixture.
- B. Lime or mineral accumulation on fixture vortex or spreader holes. Remove lime or mineral build-up in fixture.

#### 6. Flush is not considered "quiet" or makes noise at close off.

- A. Control stop not properly adjusted. Adjust control stop to meet flow rate required for proper cleansing of the fixture.
- B. Worn, damaged or loose main seat. Replace main seat.
- C. Worn piston. Repair or replace piston.

#### 7. Leaking at handle assembly.

- A. The B-39 handle seal may be deteriorated. Install new B-39 handle seal. NOTE: The B-39 seal will easily slide right onto the bushing if it is wet.
- B. Handle gasket has been omitted. Install A-31 handle gasket or handle repair kit B-51-A.
- C. Valve handle bushing is worn. Install handle repair kit B-51-A.

### CARE AND CLEANING INSTRUCTIONS

**DO NOT USE** abrasive or chemical cleaners to clean flushometers that may dull the luster and attack the chrome or special decorative finishes. Use **ONLY** mild soap and water, then wipe dry with clean cloth or towel.

While cleaning the bathroom tile, protect the flushometer from any splattering of cleaner. Acids and cleaning fluids can discolor or remove chrome plating.

**When assistance is required, please contact**

**Sloan Technical Support at: 1-888-SLOAN-14 (1-888-756-2614).**

**TruFlush Flushometer**

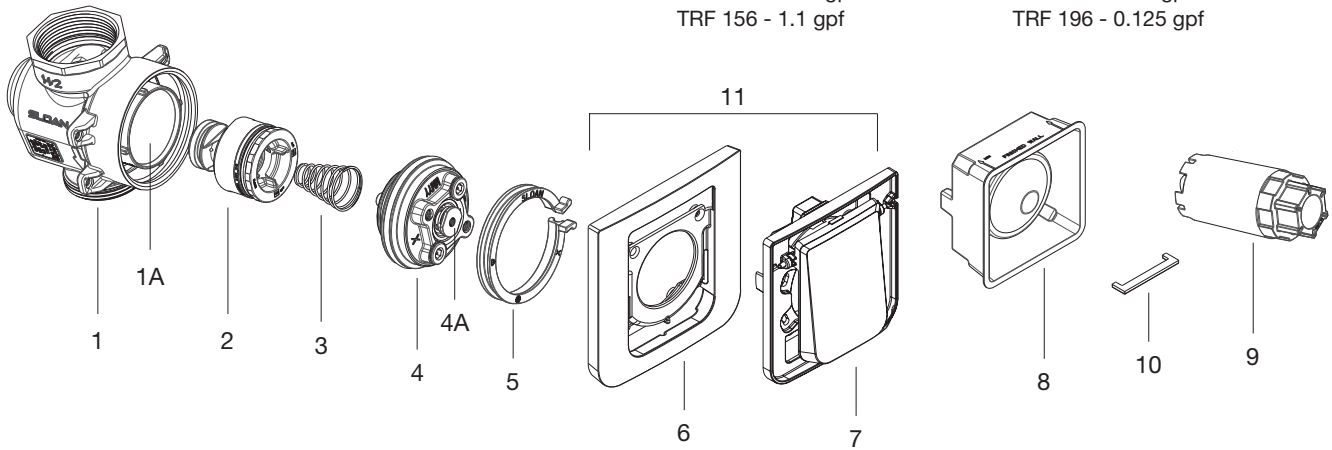
**Not available in USA or Canada**

**Manual Closet Flushometers**

- TRF 156 - 1.6 gpf
- TRF 156 - 1.28 gpf
- TRF 156 - 1.1 gpf

**Manual Urinal Flushometers**

- TRF 196 - 0.5 gpf
- TRF 196 - 0.25 gpf
- TRF 196 - 0.125 gpf

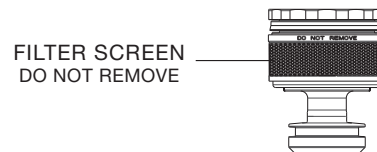


PARTS LIST			
Item No.	Code No.	Part No.	Description
1.	—	—	Valve Assembly
1A.	<b>0340085</b>	GBL-66-A	Shut Off Sleeve (with O-Ring)
2.	<b>See table to the right</b>		Piston Assembly with Spring
3.	—	—	Conical Spring*
4.	<b>See table on next page</b>		Activation Assembly
4A.	<b>3340018</b>	GBL-1018-A	Plunger Assembly
5.	<b>3340011</b>	GBL-1011-A	Safety Collar
6.	—	—	TRF Manual Finished Wall Plate, CP
7.	—	—	TRF Manual Wall Bracket with Button Assembly
8.	<b>33400034</b>	GBL-1061-A	Replacement Kit, Mud Guard Manual (4 Pack)
9.	<b>3340012</b>	GBL-1012-A	Activation Assembly Tool
10.	<b>0340094</b>	GBL-75	Depth Guide Tool
11.	—	GBL-200-A	TRF Manual Wall Bracket and Button Assembly Includes items 6 & 7.

\* Included with Piston Assembly. † Consult factory for finish options.

ITEM NO. 2 - MANUAL PISTON ASSEMBLY SELECTION GUIDE			
Code No.	Part No.	Description	Piston Color*
<b>3340024</b>	GBL-1024-A	1.6 gpf/6.0 Lpf Closet Piston Assembly (Washdown)	Orange
<b>3340005</b>	GBL-1005-A	1.6 gpf/6.0 Lpf Closet Piston Assembly	Green
<b>3340006</b>	GBL-1006-A	1.28 gpf/4.8 Lpf Closet Piston Assembly	Purple/Black
<b>33400064</b>	GBL-1089-A	1.1 gpf/4.2 Lpf Closet Piston Assembly	Grey/Black
<b>3340007</b>	GBL-1007-A	0.5 gpf/1.9 Lpf Urinal Piston Assembly	Red
<b>3340008</b>	GBL-1008-A	0.25 gpf/1.0 Lpf Urinal Piston Assembly	Burgundy
<b>3340009</b>	GBL-1009-A	0.125 gpf/0.48 Lpf Urinal Piston Assembly	Pink

\* Colors may differ. Consult factory to confirm you have the correct Piston Assembly.



**TRUFLUSH MANUAL PISTON**  
SEE CHART BELOW FOR MORE

**ITEM NO. 2 - MANUAL PISTON IDENTIFICATION CHART**

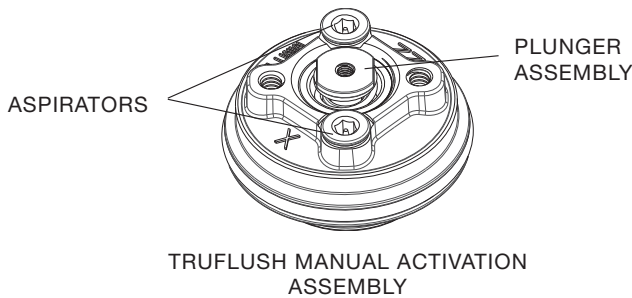
<b>Flush Volume</b>	1.6 gpf WD (India) Water Closet	1.6 gpf Water Closet	1.28 gpf Water Closet	1.1 gpf Water Closet	0.5 gpf Urinal	0.25 gpf Urinal	0.125 gpf Urinal
<b>Piston Body</b>	Orange with Screen	Green with Screen	Purple with Screen	Grey with Screen	Red with Screen	Burgundy with Screen	Pink with Screen
<b>Flow Control</b>	Orange	Green	Black Cage	Black Cage	Red	Burgundy	Pink
<b>Part Number</b>	GBL-1024-A	GBL-1005-A	GBL-1006-A	GBL-1089-A	GBL-1007-A	GBL-1008-A	GBL-1009-A
<b>Code Number</b>	<b>3340024</b>	<b>3340005</b>	<b>3340006</b>	<b>33400064</b>	<b>3340007</b>	<b>3340008</b>	<b>3340009</b>

<b>ITEM NO. 4 - MANUAL ACTIVATION ASSEMBLY SELECTION GUIDE</b>			
<b>Code No.</b>	<b>Part No.</b>	<b>Description</b>	<b>Aspirator Retainer Color*</b>
3340026	GBL-1026-A	1.6 gpf/6.0 Lpf Closet Activation Assembly (Washdown)	Orange
3340000	GBL-1000-A	1.6 gpf/6.0 Lpf Closet Activation Assembly	Green
3340001	GBL-1001-A	1.28 gpf/4.8 Lpf Closet Activation Assembly	Purple
3340063	GBL-1093-A	1.1 gpf/4.2 Lpf Closet Activation Assembly	Grey/Black
3340002	GBL-1002-A	0.5 gpf/1.9 Lpf Urinal Activation Assembly	Red
3340003	GBL-1003-A	0.25 gpf/1.0 Lpf Urinal Activation Assembly	Burgundy
3340004	GBL-1004-A	0.125 gpf/0.48 Lpf Urinal Activation Assembly	Pink

<b>ASPIRATOR SELECTION GUIDE</b>			
<b>Code No.</b>	<b>Part No.</b>	<b>Description</b>	<b>Aspirator Retainer Color*</b>
3340032	GBL-1032-A	1.6 gpf/6.0 Lpf Closet Aspirator Assembly (Washdown)	Orange
3340028	GBL-1028-A	1.6 gpf/6.0 Lpf Closet Aspirator Assembly	Green
3340030	GBL-1030-A	1.28 gpf/4.8 Lpf Closet Aspirator Assembly	Purple
3340058	GBL-1095-A	1.1 gpf/4.2 Lpf Closet Aspirator Assembly	Grey
3340031	GBL-1031-A	0.5 gpf/1.9 Lpf Urinal Aspirator Assembly	Red
3340029	GBL-1029-A	0.25 gpf/1.0 Lpf Urinal Aspirator Assembly	Burgundy
3340042	GBL-1033-A	0.125 gpf/0.48 Lpf Urinal Aspirator Assembly	Pink

\* Colors may differ. Consult factory to confirm you have the correct Aspirator.



**IMPORTANT NOTE FOR 1.1 GPF  
FLUSHOMETERS & REPLACEMENT KITS**

Sloan 1.1 gpf/4.2 Lpf ultra-high efficiency flushometers meets all applicable standards and requirements. However, with low flush volumes it is imperative that they only be used in conjunction with toilet fixtures and drain line systems designed to operate with adequate flow rates and volumes in order to effectively eliminate waste and move it out of the building. It is the responsibility of the user to ensure both of these conditions are met. Not doing so may void your warranty.

Sloan 1.1 gpf diaphragm and piston kits are designed as a replacement part for Sloan 1.1 gpf/4.2 Lpf flushometers only. They are not intended to be used as a means to reduce water consumption in flushometers with higher flush volumes such as 1.28 gpf/4.8 Lpf or 1.6 gpf/6.0 Lpf or higher. Using this kit in any manner other than with a Sloan 1.1 gpf flushometer may void your warranty.



## TROUBLESHOOTING GUIDE

### 1. Flushometer Does Not Function (No Water/Flush).

- A. Ensure water supply to Valve is turned on.
- B. Shut Off Sleeve is in closed position. Turn counter-clockwise to open water flow. **Note:** there is approximately 1/8-turn (45°) of free spinning as the Activation Assembly engages the Shut Off Sleeve between opening and closing the Valve.
- C. Plunger screw is not adjusted properly. Adjust screw using depth guide tool.

### 2. Volume Of Water Is Not Sufficient To Evacuate The Bowl.

- A. Plunger screw is not adjusted properly (short button engagement of plunger). Adjust screw using depth guide tool.
- B. Insufficient flow pressure. Readjust Activation Assembly by turning counter-clockwise to increase flow pressure.
- C. Water supply pressure is inadequate (low). Increase the water supply pressure. Contact the fixture manufacturer for minimum water supply requirements of the fixture.
- D. Wrong model installed; i.e., 0.5 gpf/1.9 Lpf urinal installed on a 1.6 gpf/6.0 Lpf closet fixture. Replace with proper model.
- E. Check lip seal for wear. Replace Piston if lip seal is worn or twisted.

### 3. Too Much Water To Fixture.

- A. Excessive flow pressure. Readjust Activation Assembly by turning clockwise to decrease flow pressure.
- B. Long Flush. Worn Piston; replace with new proper gpf/Lpf Piston.
- C. Wrong model installed; i.e., 1.6 gpf/6.0 Lpf model installed on 0.5 gpf/1.9 Lpf or 0.25 gpf/1.0 Lpf urinal fixture. Replace with proper model per guide.

### 4. Valve Does Not Shut Off.

- A. Plunger screw is not adjusted properly (constant contact on plunger). Adjust screw using depth guide tool.
- B. Supply line water pressure has dropped and is not sufficient to close the Valve. Close Activation Assembly until pressure is restored.
- C. Piston Filter Screen is clogged, Piston is damaged, or large debris stuck behind Piston. Turn off water at Shut Off Sleeve, release pressure, remove Safety Collar and Activation Assembly. Remove Piston and check inside Valve for large debris. **Do not attempt to remove Piston filter screen.** Replace Piston if damaged or cleaning does not correct the problem.

### 5. Leaking at Plunger.

- A. Seal worn. Replace Activation Assembly.

### 6. Chirping Noise Is Heard At Start Or End Of Flush.

- A. Caused by air purging from the system inside the Valve Assembly. Noise will subside with several flushes or within a day.

### 7. Valve Leaks Through Aspirator When Activated.

- A. Debris between the umbrella Valve and the Retainer. Blow air on the Aspirator. If this does not correct the problem, remove Retainer with 5 mm Allen Key (not included) and wash it under clean running water. Replace Aspirator if cleaning does not correct the problem.
- B. Loose Retainer. Hand tighten Retainer with 5 mm Allen key (not included). Do not overtighten. Replace Aspirator if this does not correct the problem.

## CARE AND CLEANING

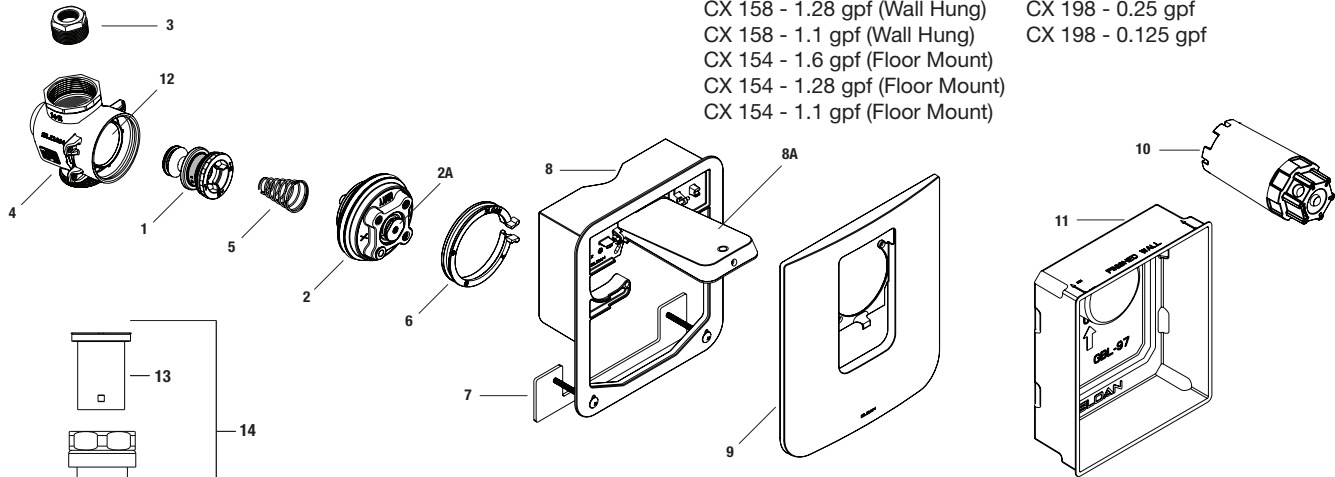
**DO NOT USE** abrasive or chemical cleaners (including chlorine bleach) to clean Flushometers that may dull the luster and attack the chrome or special decorative finishes. Use **ONLY** mild soap and water, then wipe dry with a clean cloth or towel. If using a cleaner in a spray bottle, **DO NOT** spray directly onto the Flushometer, instead spray cleaner into a clean cloth and then wipe down the Flushometer.

While cleaning bathroom tile, protect the Flushometer from any splattering of cleaner. Acids and abrasive cleaning fluids will discolor or remove chrome plating.

**When assistance is required, please contact Sloan Technical Support at 1.888.SLOAN.14 (1.888.756.2614).**



# Sloan CX Manual Flushometer



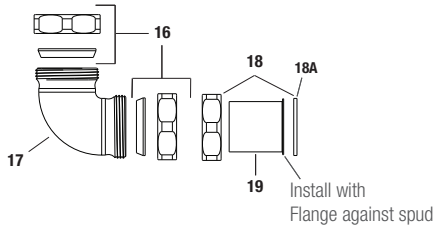
**Manual Closet Flushometers**

- CX 158 - 1.6 gpf (Wall Hung)
- CX 158 - 1.28 gpf (Wall Hung)
- CX 158 - 1.1 gpf (Wall Hung)
- CX 154 - 1.6 gpf (Floor Mount)
- CX 154 - 1.28 gpf (Floor Mount)
- CX 154 - 1.1 gpf (Floor Mount)

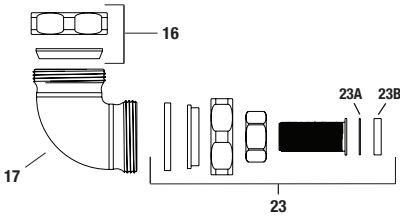
**Manual Urinal Flushometers**

- CX 198 - 0.5 gpf
- CX 198 - 0.25 gpf
- CX 198 - 0.125 gpf

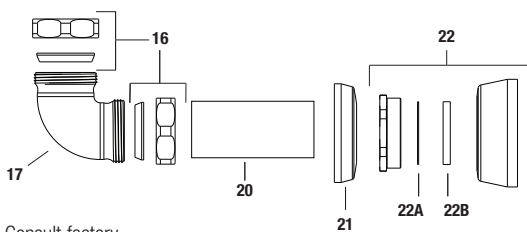
**For Model 158, Wall Hung**



**For Model 198, Urinals**



**For Model 154, Floor Mount Exposed Rear Inlet**



\* Consult factory

\*\* Consult factory for alternate finish options

The information contained in this document is subject to change without notice.

PARTS LIST			
Item No.	Code No.	Part No.	Description
1.	See table on next page		Piston Assembly
2.	See table on next page		Activation Assembly
2A.	3340018	GBL-1018-A	Manual Plunger Assembly Repair Kit
3.	0340062	GBL-56	Inlet Adapter 1-1/2" NPT x 1" NPT Closet
	0340063	GBL-171	Inlet Adapter 1-1/2" NPT x 3/4" NPT Urinal
4.	—	—	Valve Body*
5.	—	—	Conical Spring**
6.	3340011	GBL-1011-A	Safety Collar (Collar for Bonnet)
7.	33400011	GBL-214-A	C-Bracket Kit with Screws
8.	—	—	Manual CX Wall Bracket*
8A.	See table on next page		Manual CX Button Only
9.	See table on next page		Manual CX Finished Wall Plate
10.	03340012	GBL-1012-A	Activation Assembly Tool
11.	33400033	GBL-1060-A	Manual CX Mud Guard (4 pack)
12.	0340085	GBL-66-A	Shut Off Sleeve (with O-Ring)
* Not sold separately. ** Included with Piston			
FLUSH CONNECTION PARTS			
Item No.	Code No.	Part No.	Description
13.	3323182	V-651	Vacuum Breaker Kit
14.	0323011	V-500-A	RB Vacuum Breaker Assembly
15.	33060011	F-227-A	Adjustable Tube 6.5" Replacement Kit, 158, 198
	33060012	F-228-A	Adjustable Tube 10.5" Replacement Kit, 154
16.	0306395	F-211-A	CX Poly Washer and Coupling (set of 2)
17.	0306392PK	F-305	CX Elbow for CX Poly Washer
18.	0306091	F-2-A	1-1/2" Coupling with S-21 Gasket
18A.	0319079	S-21	Rigid Gasket
19.	0306031PK	F-1	1-1/2" x 6" Tube
20.	0396119PK	F-101	CP Tube Outlet 1-1/2" x 10-1/2"
21.	0306237PK	F-7	Tube Flange 1-1/2" x 2-3/4" with Prongs

## Sloan CX Manual Flushometer

### FLUSH CONNECTION PARTS CONTINUED

Item No.	Code No.	Part No.	Description
22	<b>0306146PK</b>	F-5-A	1-1/2" Spud Coupling Assembly CP*
22A	<b>5306058</b>	F-3	Friction Ring 1-1/2"
22B	<b>5322001</b>	VBF-5	Slip Joint Gasket 1-1/2"
23	<b>0306396</b>	—	CX Urinal Flush Connection Kit
23A	<b>5306055</b>	F-3	Red Friction Ring 3/4"
23B	<b>5306113</b>	F-5	Gasket 3/4"

### ITEM NO. 1 - MANUAL PISTON ASSEMBLY SELECTION GUIDE

Code No.	Part No.	Description	Piston Color*
<b>3340053</b>	GBL-1037-A	1.6 gpf/6.0 Lpf Closet Piston Assembly	Green
<b>3340054</b>	GBL-1038-A	1.28 gpf/4.8 Lpf Closet Piston Assembly	Purple/Black
<b>33400059</b>	GBL-1087-A	1.1 gpf/4.2 Lpf Closet Piston Assembly	Grey/Black
<b>3340055</b>	GBL-1039-A	0.5 gpf/1.9 Lpf Urinal Piston Assembly	Red
<b>3340056</b>	GBL-1040-A	0.25 gpf/1.0 Lpf Urinal Piston Assembly	Burgundy
<b>33400004</b>	—	0.125 gpf/0.48 Lpf Urinal Piston Assembly†	Pink

\* Colors may differ. Consult factory to confirm you have the correct assembly. † 0.125 gpf/0.48 Lpf Valve Components (Piston, Main Seat, and Activation Assembly) are NOT interchangeable with any other flush volume Valves.

### IMPORTANT NOTE FOR 1.1 GPF FLUSHOMETERS & REPLACEMENT KITS

Sloan 1.1 gpf/4.2 Lpf ultra-high efficiency flushometers meets all applicable standards and requirements. However, with low flush volumes it is imperative that they only be used in conjunction with toilet fixtures and drain line systems designed to operate with adequate flow rates and volumes in order to effectively eliminate waste and move it out of the building. It is the responsibility of the user to ensure both of these conditions are met. Not doing so may void your warranty.

Sloan 1.1 gpf diaphragm and piston kits are designed as a replacement part for Sloan 1.1 gpf/4.2 Lpf flushometers only. They are not intended to be used as a means to reduce water consumption in flushometers with higher flush volumes such as 1.28 gpf/4.8 Lpf or 1.6 gpf/6.0 Lpf or higher. Using this kit in any manner other than with a Sloan 1.1 gpf flushometer may void your warranty.

### ITEM NO. 1 - MANUAL PISTON IDENTIFICATION CHART

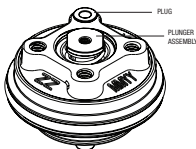
<b>Flush Volume</b>	1.6 gpf Water Closet	1.28 gpf Water Closet	1.1 gpf Water Closet	0.5 gpf Urinal	0.25 gpf Urinal	0.125 gpf Urinal
<b>Piston Body</b>	Green	Purple	Grey	Red	Burgundy	Pink
<b>Flow Control</b>	Green	Black Cage	Black Cage	Red	Burgundy	Pink
<b>Part Number</b>	GBL-1037-A	GBL-1038-A	GBL-1087-A	GBL-1039-A	GBL-1040-A	—
<b>Code Number</b>	<b>3340053</b>	<b>3340054</b>	<b>33400059</b>	<b>3340055</b>	<b>3340056</b>	<b>33400004</b>

### ITEM NO. 2 - ACTIVATION ASSEMBLY SELECTION GUIDE

Code No.	Part No.	Description	Plug Color*
<b>3340048</b>	GBL-1033-A	1.6 gpf/6.0 Lpf Closet Activation Assembly	Green
<b>3340049</b>	GBL-1034-A	1.28 gpf/4.8 Lpf Closet Activation Assembly	Purple
<b>33400057</b>	GBL-1091-A	1.1 gpf/4.2 Lpf Closet Activation Assembly	Grey
<b>3340051</b>	GBL-1035-A	0.5 gpf/1.9 Lpf Urinal Activation Assembly	Red
<b>3340052</b>	GBL-1036-A	0.25 gpf/1.0 Lpf Urinal Activation Assembly	Burgundy
<b>33400005</b>	—	0.125 gpf/0.48 Lpf Urinal Activation Assembly	N/A; Nickel plated brass

\* Colors may differ. Consult factory to confirm you have the correct Activation Assembly.

† 0.125 gpf/0.48 Lpf Valve Components (Piston, Main Seat, and Activation Assembly) are NOT interchangeable with any other flush volume Valves.



### ADDITIONAL PARTS

Code No.	Part No.	Description
—	F-304	Poly Washer 1-1/2" (Only available in F-211-A, Item 16)
<b>33400008</b>	GBL-212-A	Plunger Screw Kit (screws, wrench, nut, and gauge)
<b>33400012</b>	GBL-215-A	Manual Wall Bracket Mounting Screws (Wall Bracket to Valve, Finished Plate to Wall Bracket)
<b>33400014</b>	GBL-1045-A	Manual CX Finished Wall Plate and Button Assembly, SF†
<b>33400015</b>	GBL-1046-A	Manual CX Finished Wall Plate and Button Assembly, CP†
<b>33400016</b>	GBL-1047-A	Manual CX Finished Wall Plate and Button Assembly, BN†
<b>33400017</b>	GBL-1048-A	Manual CX Finished Wall Plate and Button Assembly, PB†
<b>33400018</b>	GBL-1049-A	Manual CX Finished Wall Plate and Button Assembly, GR†
<b>33400039</b>	GBL-1064-A	Manual CX Button Only Replacement Kit, SF
<b>33400041</b>	GBL-1065-A	Manual CX Button Only Replacement Kit, CP
<b>33400042</b>	GBL-1066-A	Manual CX Button Only Replacement Kit, BN
<b>33400043</b>	GBL-1067-A	Manual CX Button Only Replacement Kit, PB
<b>33400044</b>	GBL-1068-A	Manual CX Button Only Replacement Kit, GR

† Includes mounting screws and wrench.

## Sloan CX Manual Flushometer

### TROUBLESHOOTING GUIDE

#### 1. Flushometer Does Not Function (No Water/Flush).

- A. Ensure water supply to Valve is turned on.
- B. Shut Off Sleeve is in closed position. Turn counter-clockwise to open water flow. **Note:** there is approximately 1/8-turn (45°) of free spinning as the Activation Assembly engages the Shut Off Sleeve between opening and closing the Valve.
- C. Plunger screw is not adjusted properly. Adjust screw using depth guide.

#### 2. Volume Of Water Is Not Sufficient To Evacuate The Bowl.

- A. Plunger screw is not adjusted properly (short button engagement of plunger). Adjust screw using depth guide tool.
- B. Insufficient flow pressure. Readjust Activation Assembly by turning counter-clockwise to increase flow pressure.
- C. Water supply pressure is inadequate (low). Increase the water supply pressure. Contact the fixture manufacturer for minimum water supply requirements of the fixture.
- D. Wrong model installed; i.e., 0.5 gpf/1.9 Lpf urinal installed on a 1.6 gpf/6.0 Lpf closet fixture. Replace with proper model.
- E. Check lip seal for wear. Replace Piston if lip seal is worn or twisted.

#### 3. Too Much Water To Fixture.

- A. Excessive flow pressure. Readjust Activation Assembly by turning clockwise to decrease flow pressure.
- B. Long Flush. Worn Piston; replace with new proper gpf/Lpf Piston.
- C. Wrong model installed; i.e., 1.6 gpf/6.0 Lpf model installed on 0.5 gpf/1.9 Lpf or 0.25 gpf/1.0 Lpf urinal fixture. Replace with proper model per guide.

#### 4. Valve Does Not Shut Off.

- A. Plunger screw is not adjusted properly (constant contact on plunger). Adjust screw using depth guide tool.
- B. Supply line water pressure has dropped and is not sufficient to close the valve. Close Activation Assembly until pressure is restored.
- C. Piston Bypass is clogged, Piston is damaged, or large debris stuck behind Piston. Turn off water at Shut Off Sleeve, release pressure, remove Safety Collar and Activation Assembly. Remove Piston and check inside Valve for large debris. Replace Piston if damaged or cleaning does not correct the problem.

#### 5. Leaking at Plunger.

- A. Seal worn. Replace Activation Assembly.

#### 6. Chirping Noise Is Heard At Start Or End Of Flush.

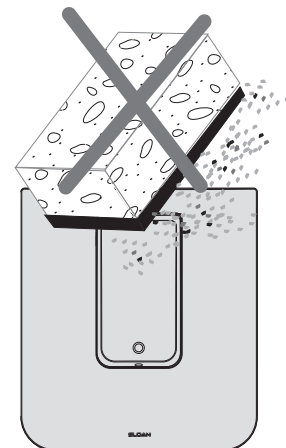
- A. Caused by air purging from the system inside the Valve Assembly. Noise will subside with several flushes or within a day.

### CARE AND CLEANING

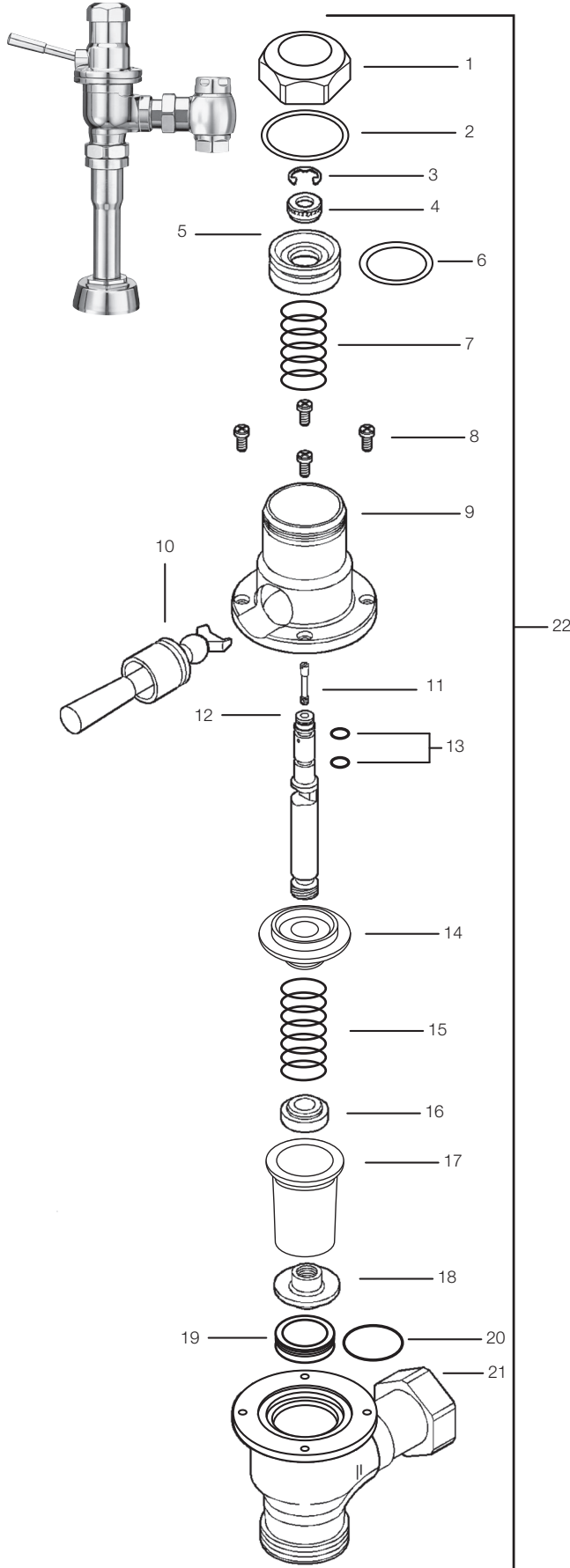
**DO NOT USE** abrasive or chemical cleaners (including chlorine bleach) to clean Flushometers that may dull the luster and attack the chrome or special decorative finishes. Use mild soap and water, then wipe dry with a clean soft cloth or towel. If using a cleaner in a spray bottle, **DO NOT** spray directly onto the Flushometer, instead spray cleaner into a clean cloth and then wipe down the Flushometer.

While cleaning surrounding bathroom tile, protect the Flushometer from any splattering of cleaner. Acids and abrasive cleaning fluids will discolor or remove chrome plating.

**When assistance is required, please contact Sloan Technical Support at 1.888.SLOAN.14 (1.888.756-2614).**



## Dolphin® Flushometer



### PARTS LIST—DOLPHIN® FLUSHOMETER

Item No.	Code No.	Part No.	Description
1.	<b>0337007</b>	DO-1	Cover Nut CP
2.	<b>5337125</b>	DO-2	O-ring-Seat – 1 required – 6 per package (Cover Gasket)
3.	<b>5337129</b>	DO-28	Retaining Ring – 1 required – 24 per package
4.	<b>5337006</b>	DO-4	Stem Nut RB – 1 required – 6 per package
5.	<b>0337004</b>	DO-5	Piston
6.	<b>5337075</b>	DO-6	O-ring-Piston – 1 required – 6 per package
7.	<b>5337039</b>	DO-7	Piston Spring – 1 required – 6 per package
8.	<b>5337011</b>	DO-11	Cover Screw CP – 4 required – 24 per package
9.	<b>0337003</b>	DO-10	Upper Body CP
10.	<b>0337042</b>	DO-20	Handle and Socket Assembly CP
	<b>0337012</b>	DO-26	Socket
11.	<b>5337126</b>	DO-3	Regulating Screw RB – 1 required – 6 per package
12.	<b>0337087</b>	DO-9	Stem RB
13.	<b>0328336</b>	SH-75	O-ring-Throttle Seal (2 required)
14.	<b>0337005</b>	DO-14	Bushing RB
15.	<b>0337009</b>	DO-16	Compression Spring (Main Spring)
16.	<b>5337034</b>	DO-17	Insert RB – 1 required – 6 per package
17.	<b>0337018</b>	DO-15	“Flex-Sac”
18.	<b>0337084</b>	DO-18	Seating Nut. Part of DO-32 “Flex-Sac” Assembly (See below)
19.	<b>0337016</b>	DO-19	Seat Assembly w/O-ring
20.	<b>0337086</b>	DO-22	O-ring
21.	<b>0337031</b>	DO-13-NC	Lower Body CP-Closet
	<b>0337032</b>	DO-13-NU	Lower Body CP-Urinal
22.	—	DO-90-AA	Complete Body Assembly
	—	DO-90-AAG	Complete Body Assembly
	—	DO-90-AAU	Complete Body Assembly

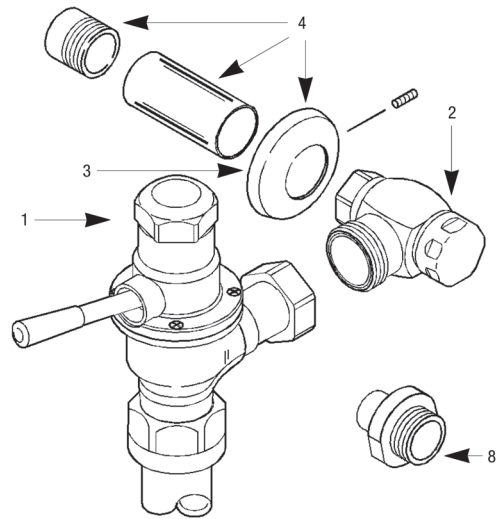
### REPLACEMENT AND REPAIR KITS

A.	<b>0337044</b>	DO-1000-A	Piston w/ o-ring. Component parts: Items 5 and 6
B.	<b>3337035</b>	DO-1001-A	Repair Kit-Dolphin Handle Component parts: Items 10, 11, 12, and 13
C.	<b>0337134</b>	DO-32	Flex-Sac Assembly Component parts: Items 17 and 18
D.	<b>0337136</b>	DO-32-AA	Repair Kit-“Flex-Sac” Assembly. Component parts: Items 2, 6, 13, 17, and 18
E.	<b>0337137</b>	DO-32-AAN	Repair Kit-“Flex-Sac” and Stem. Component parts: Items 2, 6, 7, 13, 15, 17, 18, 19, and 20
F.	<b>0337036</b>	DO-19-A	Seat Assembly w/ o-ring Component parts: Items 19 and 20
G.	<b>0337030</b>	DO-12-A	Upper Body Assembly. Component parts: Items 1 through 7 and 9 through 18
H.	<b>0337055</b>	DO-13-A-NC	Lower Body Assembly for Closet. Component parts: Item 21 Lower Body, Coupling (CP), and Ground Joint Tail (CP)

# Dolphin® Flushometer

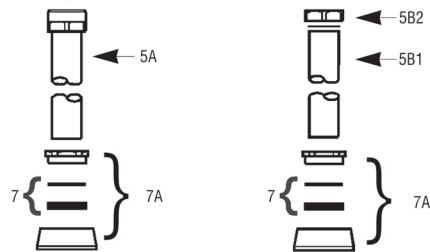
## PARTS LIST—DOLPHIN® FLUSHOMETER MODELS AND VARIATIONS

Item No.	Code No.	Part No.	Description
1.	<b>0337023</b>	DO-90-AAGNC	Closest Valve Body and Handle Assembly — Dolphin Type I
	<b>0337025</b>	DO-90-AAGNU	Urinal Valve Body and Handle Assembly — Dolphin Type II
2A.	<b>0388025</b>	H-710-A	Bak-Chek® Control Stop CP with ¾" NPTF Inlet for Adjustable Tail
	<b>0388022</b>	H-710-A	Bak-Chek® Control Stop CP with 1" NPTF Inlet for Adjustable Tail
2B.	<b>0388048</b>	NH-710-AG	Bak-Chek® Control Stop w/ ¾" NPTF Inlet for Ground Joint Tail (Naval Brass; use w/ Shipboard flushometer Models Type II Class A and B; requires A-35 Reducer Bushing)
	<b>0388058</b>	NH-710-AG	Bak-Chek® Control Stop w/ 1" NPTF Inlet for Ground Joint Tail (Naval Brass)
	<b>0388044</b>	NH-710-AGS	Bak-Chek® Control Stop w/ 1" NPSM Inlet for Ground Joint Tail (Naval Brass; use w/ Shipboard flushometer Models Type I and II when Sil-Brace Adapter is used)
3.	<b>0306196</b>	F-7	1" (25 mm) Supply Flange CP (Supplied When Valve is NOT Ordered w/ Sweat Solder Kit)
	<b>0306191</b>	F-7	¾" (19 mm) Supply Flange CP (Supplied When Valve is NOT Ordered w/ Sweat Solder Kit)
4.	<b>3308782</b>	H-633-AA	1" (25 mm) Sweat Solder Kit with Cast Set Screw Flange CP ("–YBYC" Variation)
	<b>3308788</b>	H-636-AA	¾" (19 mm) Sweat Solder Kit with Cast Set Screw Flange CP ("–YBYC" Variation)
5A.	<b>0323013</b>	V-500-AA	1-½" (38 mm) x 10-½" (267 mm) Vacuum Breaker Assembly CP (Model 110/111)
	<b>0323019</b>	V-500-AA	1-½" (38 mm) x 23" (534 mm) Vacuum Breaker Assembly CP (Model 115)
5B1.	<b>0396119</b>	F-101	1-½" (38 mm) x 10-1/2" (267 mm) Outlet Tube CP Type I Class B
5B2.	<b>0306093</b>	F-2-AT	Coupling CP w/ S-30 gasket
5C1.†	<b>0314004</b>	NF-1	1-½" (38 mm) Scored Outlet CP (Shipboard Model, Type I, Class A)
5C2.‡	<b>2104180</b>	F-2-AT	Coupling CP w/ S-30 gasket
5D1.	<b>0323010</b>	V-500-A	1-½" (38 mm) Vacuum Breaker Assembly CP (Model 120 does not include F-2-A Coupling, see Item 5D2 below)
5D2.	<b>0306092</b>	F-2-A	Coupling CP w/ S-30 gasket
5E.†	<b>0306850</b>	NF-29-A	Outlet Tube Assembly ¾" (19 mm) x 6-½" (165 mm) Scored Outlet w/ ½" Offset (Shipboard Model, Type II, Class A)
5F.	<b>0306849</b>	NF-29-A	¾" (19 mm) x 6-½" (165 mm) Flush Connection with ½" Offset and ¾" x ½" Reducer for ½" Spud (Shipboard Model, Type II, Class B)
5G.‡	<b>0323004</b>	V-500-AA	¾" (19 mm) x 10-½" (267 mm) Vacuum Breaker Assembly CP (Model 186)
5H.†	<b>0306780</b>	F-29-A	¾" (19 mm) x 10-½" (267 mm) Flush Connection CP (Model 186–XYW)
6.†	<b>0396302</b>	F-109	1-½" (38 mm) Flush Connection CP
7.	<b>SEE SLIP JOINT GASKETS AND RINGS TABLE ON BOTTOM, PAGE 15</b>		
7A.	<b>0306146</b>	F-5-AT	1-½" (38 mm) Spud Coupling Assembly (Models 110/111, 115, 120)
7B.	<b>0306125</b>	F-5-AW	¾" (19 mm) Spud Coupling Assembly (Model 186)
8.	<b>0306982</b>	F-40	½" (13 mm) Sil-Brace Adapter



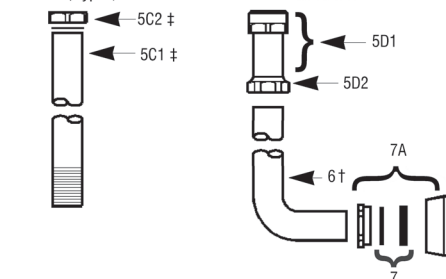
Models 110/111, 115 Shipboard Model

Models 110-XYV, 111-XYV, and Type I, Class B



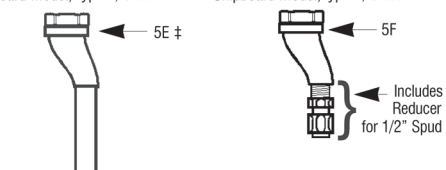
Shipboard Model, Type I, Class A

Model 120



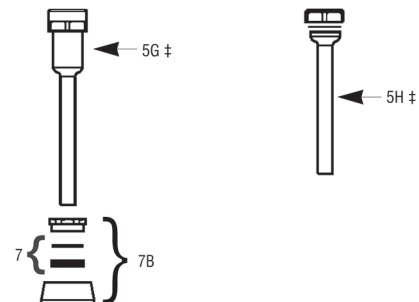
Shipboard Model, Type II, Class A

Shipboard Model, Type II, Class B



Model 186

Model 186-XYW



‡ Cut to proper length at installation. Allow a minimum of 5" (127 mm) between tube ends when using rubber hose for shock mounted equipment.

† This Outlet Tube is available in various lengths. Consult factory for assistance.

**IMPORTANT NOTES**

With the exception of the control stop inlet, DO NOT USE pipe sealant or plumbing grease on any valve component or coupling!

Protect the chrome or special finish of Sloan flushometers — DO NOT USE toothed tools to install or service these valves.

Use a A-50 Super-Wrench™ or smooth jawed spud wrench to secure all couplings. The information contained in this document is subject to change without notice.

## Dolphin® Flushometer

### PARTS LIST—DOLPHIN® FLUSHOMETER MODELS AND VARIATIONS

Size	Code No.	Part No.	Description
<b>ITEM 7. Slip Joint Gaskets and Rings</b>			
1-1/2"	<b>5306058</b>	F-3	Red Friction Ring
	<b>5322001</b>	VBF-5	Black Slip Joint Gasket
	<b>0319086/5319086</b>	S-30	Flexible Seat
	<b>0319079</b>	S-21	Rigid Seat (rubber over brass)
1-1/2" x 1-1/4"	<b>0396062</b>	F-105	Slip Joint Gasket – Rigid
1-1/4"	<b>5306057</b>	F-3	Red Friction Ring
	<b>5322176</b>	VBF-5	Black Slip Joint Gasket
	<b>0307052/5307052</b>	G-21	Rigid Seat (rubber over brass)
1"	<b>5306056</b>	F-3	Red Friction Ring
	<b>5306115</b>	F-5	Black Slip Joint Gasket
3/4"	<b>5306055</b>	F-3	Red Friction Ring
	<b>5306113</b>	F-5	Black Slip Joint Gasket

### TROUBLESHOOTING GUIDE

#### 1. Flushometer DOES NOT function.

- A. Control stop or main valve is closed. Open control stop or main valve.
- B. Handle socket assembly is damaged. Replace DO-20 handle socket assembly.

#### 2. Volume of water is inadequate to siphon fixture.

- A. Control stop is not open enough. Adjust control stop for desired delivery of water volume.
- B. Timing of flushometer closure is set too fast. Remove DO-1 cover nut. Use a small blade screwdriver to turn DO-3 regulating screw clockwise.
- C. Water supply volume or pressure is inadequate. If no gauges are available to properly measure supply pressure or volume, completely open control stop and hold down flushometer handle without allowing it to close. If fixture siphons, increase timing of closure (see previous solution). If fixture does not siphon, steps must be taken to increase the supply pressure and/or volume. Contact fixture manufacturer for minimum water supply requirements of fixture.

#### 3. Flushometer closes immediately.

- A. Oil chamber of upper body is empty. Remove DO-1 cover nut. Fill oil chamber with SAE 10 Oil.
- B. Piston seal is worn or damaged. Replace DO-6 piston O-ring seal.

#### 4. Length of flush is too short (short flushing).

- A. Volume of oil in oil chamber of upper body is low. Remove DO-1 cover nut. Fill oil chamber with SAE 10 oil.
- B. Timing of flushometer closure is not adequately adjusted. Remove DO-1 cover nut. Using small blade screwdriver, turn DO-3 regulating screw clockwise until a satisfactory flush is achieved.

#### 5. Length of flush is too long (long flushing).

- A. Timing of flushometer closure not adequately adjusted. Remove DO-1 cover nut. Using small blade screwdriver, turn DO-3 regulating screw counterclockwise until a satisfactory flush is achieved.

#### 6. Oil is leaking from handle.

- A. Stem seals are worn or damaged. Replace two (2) SH-75 throttle seal O-rings.

#### 7. Valve DOES NOT close completely (water trickle).

- A. Compression spring is worn or damaged. Replace DO-16 compression spring.
- B. Flex-sac assembly is worn. Replace DO-15 flex-sac.

### CARE AND CLEANING INSTRUCTIONS

**DO NOT USE** abrasive or chemical cleaners to clean flushometers, they may dull the luster and attack the chrome finish. Use **ONLY** mild soap and water, and then wipe dry with a clean towel or cloth.

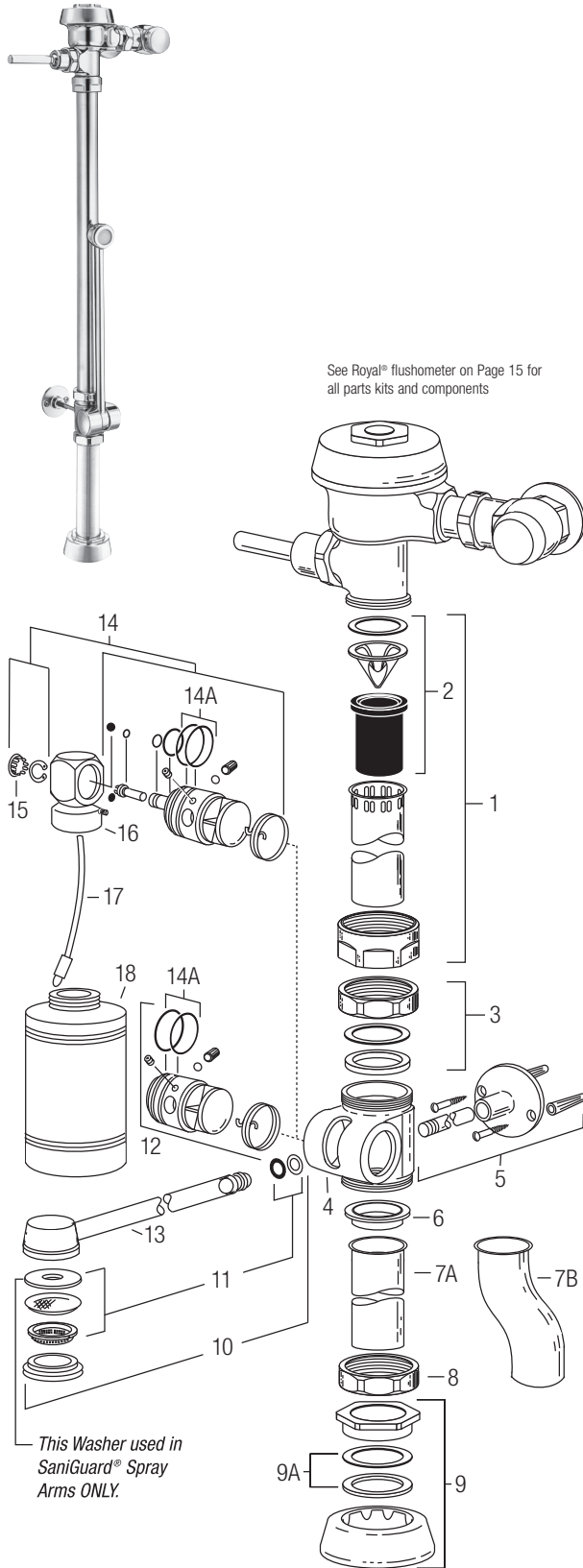
When cleaning, protect the exposed flushometer from any splattering of cleaner. Acids and cleaning fluids can discolor or remove chrome plating.

**When assistance is required, please contact**

**Sloan Technical Support at: 1-888-SLOAN-14 (1-888-756-2614).**



## Slimline® Bedpan Washer Flushometer



### PARTS LIST

Item No.	Code No.	Part No.	Description
1.	<b>0393009</b>	V-600-AA	1-1/2" x 21-1/2" CP Vacuum Breaker
	<b>0393008</b>	V-600-AA	1-1/2" x 13-1/2" CP Vacuum Breaker (ADA height)
	<b>0393029</b>	V-600-AA	1-1/2" x 21-1/2" CP Vacuum Breaker w/2" Offset
2.	<b>3323182</b>	V-651-A	Vacuum Breaker Repair Kit
3.	<b>0306093</b>	F-2-A	1-1/2" Slip Joint Coupling
4.	<b>0309001PK</b>	DV-1	Diverter Valve Body (non-Deoseptic bottle)
	<b>0309052</b>	DV-17	Diverter Valve Body (Deoseptic bottle)
5.	<b>3309035</b>	DV-1001-A	Wall Support Kit
6.	<b>0309027</b>	F-1003	Outlet Tube Gasket – for Flanged Tubes only
7A.	<b>0309029</b>	F-1005	Outlet Tube
7B.	<b>0396525</b>	F-182	Outlet Tube w/1-1/2" Offset
8.	<b>0306045</b>	F-2	1-1/2" Coupling Nut
9.	<b>0306146</b>	F-5-A	1-1/2" Spud Coupling Assembly
9A.	<b>SEE SLIP JOINT GASKETS AND RINGS TABLE ON BOTTOM, PAGE 15</b>		
10.	<b>3309044</b>	DV-32-AA	12" Spray Arm Replacement Kit
	<b>3309077</b>	DV-1014-A	Short Spray Arm Replacement Kit (for use with F-182 Offset Outlet Tube)
11.	<b>3309032</b>	DV-1007-A	Spray Arm Repair Kit
12.	<b>3309037</b>	DV-1003-A	Pivot Replacement Kit
—	<b>0309021</b>	DV-55-A	Diverter Valve Assembly and 12" Spray Arm Assembly includes: 3, 4, 8, 10, 12
—	<b>0309022</b>	DV-69-A	Diverter Valve Assembly and 10" Spray Arm Assembly includes: 3, 4, 8, 10, 12
13.	<b>3309015</b>	DV-1017-A	Repair Kit 15" Sanigard® Spray Arm (.625-18 UNF-2A Thread)

### DEOSEPTIC UNIT PARTS

Item No.	Code No.	Part No.	Description
14.	<b>3309036</b>	DV-1002-A	Deoseptic Pivot Replacement Kit
14A.	<b>5337075</b>	DO-6	O-ring-Piston – 2 required – 6 per package
14B.	<b>0309004</b>	DV-4	Set Screw
14C.	<b>0309016</b>	DV-16	Diverter Valve Seal Washer
14D.	<b>0309014</b>	DV-14	Diverter Valve Seal
15.	<b>0309024</b>	DV-21	Plug Button
16.	<b>0309033</b>	DV-33-A	Swivel & ball check Assembly
17.	<b>0309036</b>	DV-36-A	Aspirator Tube Assembly
18.	<b>0309018</b>	DV-29	Deoseptic Solution Bottle

### BEDPAN WASHER REBUILD KITS

Code No.	Part No.	Description
<b>5309031</b>	DV-50-A	Diverter Rebuild Kit Includes Outlet Tube Gasket (Item 6), Spray Arm Repair Kit (Item 11), and all Items in Pivot Replacement Kit (Item 12) except Pivot.
<b>3309040</b>	DV-1004-A	Deoseptic Diverter Rebuild Kit Includes Outlet Tube Gasket (Item 6), Spray Arm Repair Kit (Item 11), and all Items in Pivot Replacement Kit (Item 13) except Pivot.

To convert a standard diverter assembly to a deoseptic diverter assembly use:

<b>3309048</b>	DV-1005-A	Deoseptic Conversion Kit
----------------	-----------	--------------------------

### SANIGUARD® HANDLE ASSEMBLY

Code No.	Part No.	Description
<b>0302230</b>	B-73-A-SG	Handle Assembly CP (ADA complaint) with Sani-Guard

## Slimline® Bedpan Washer Flushometer

### ITEM 9A. SLIP JOINT GASKETS AND RINGS

Size	Code No.	Part No.	Description
1-1/2"	<b>5306058</b>	F-3	Red Friction Ring
	<b>5322001</b>	VBF-5	Black Slip Joint Gasket
	<b>0319086/5319086</b>	S-30	Flexible Seat
	<b>0319079</b>	S-21	Rigid Seat (rubber over brass)
1-1/2" x 1-1/4"	<b>0396062</b>	F-105	Slip Joint Gasket – Rigid
1-1/4"	<b>5306057</b>	F-3	Red Friction Ring
	<b>5322176</b>	VBF-5	Black Slip Joint Gasket
	<b>0307052/5307052</b>	G-21	Rigid Seat (rubber over brass)
1"	<b>5306056</b>	F-3	Red Friction Ring
	<b>5306115</b>	F-5	Black Slip Joint Gasket
3/4"	<b>5306055</b>	F-3	Red Friction Ring
	<b>5306113</b>	F-5	Black Slip Joint Gasket

### SLIMLINE® BEDPAN WASHER RETROFIT DIVERTERS

Code No.	Part No.	Description
<b>3309022</b>	DV-100	CP Diverter Valve Assembly
<b>3309047</b>	DV-105	CP Deoseptic Diverter Assembly
<b>3309052</b>	DV-135	CP Deoseptic Diverter Assembly 2" Offset
<b>3309061</b>	DV-115	CP Deoseptic Diverter Assembly ADA
<b>3309062</b>	DV-115-R	CP Deoseptic Diverter Assembly ADA
<b>3309065</b>	DV-120	CP Diverter Assembly ADA 1-1/2" Offset
<b>3309066</b>	DV-120-R	CP Diverter Assembly ADA 1-1/2" Offset
<b>3309069</b>	DV-125	CP Deoseptic Diverter Assembly ADA Offset
<b>3309070</b>	DV-125-R	CP Deoseptic Diverter Assembly ADA Offset
<b>3309051</b>	DV-130	CP Diverter Assembly 2 Offset

### SLIMLINE® BEDPAN REPAIR KITS

<b>3309035</b>	DV-1001	Kit Bedpan Washer Wall Support
<b>3309036</b>	DV-1002	Repair Kit Deoseptic Pivot
<b>3309037</b>	DV-1003	Repair Kit Bedpan Washer Pivot
<b>3309040</b>	DV-1004	Repair Kit Deoseptic Diverter
<b>3309048</b>	DV-1005	Conversion Kit Deoseptic Diverter Assembly
<b>3309032</b>	DV-1007	Repair Kit Spray Arm
<b>3309077</b>	DV-1014	Repair Kit 10" Spray Arm
<b>3309044</b>	DV-32-AA	Repair Kit 12" Spray Arm
<b>3309015</b>	DV-1017-A	Repair Kit 15" Spray Arm

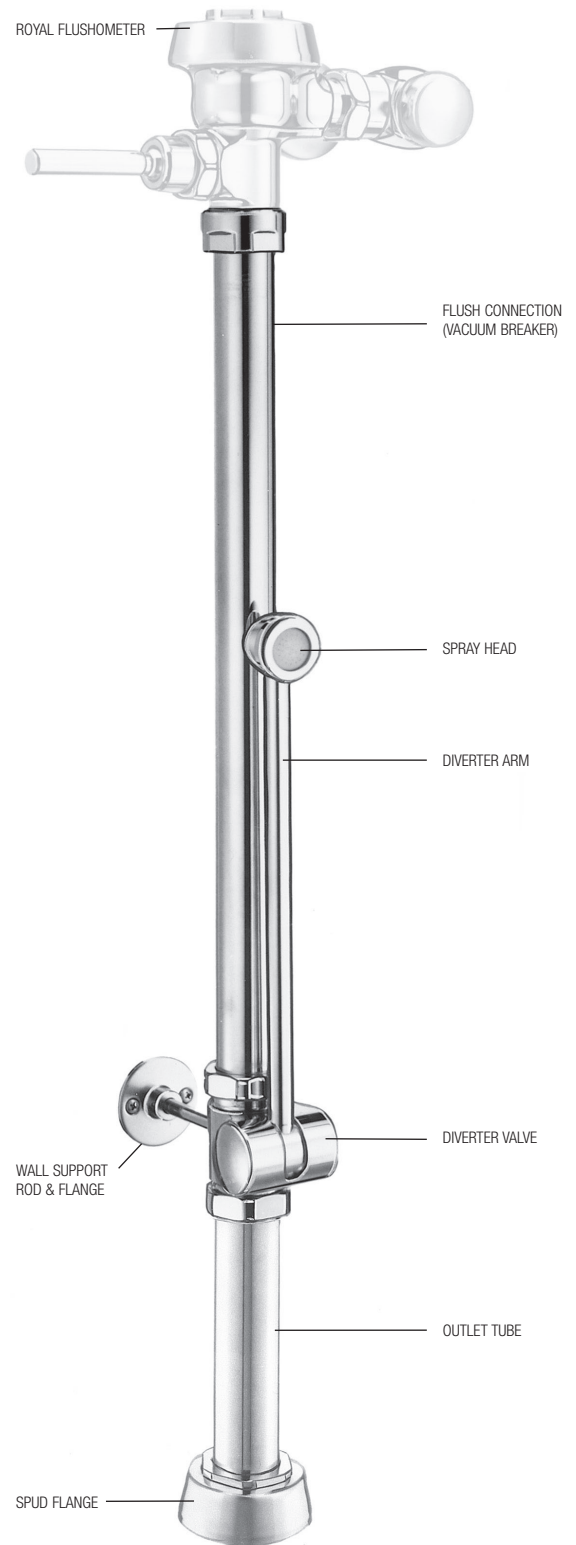
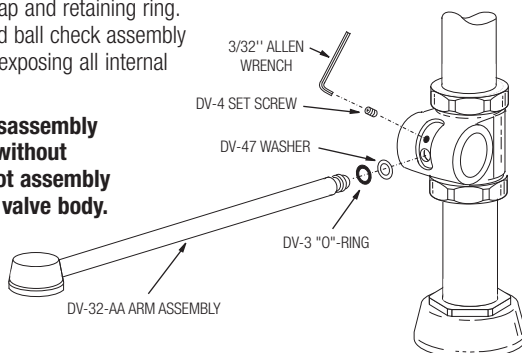
### REBUILDING THE SLOAN SLIMLINE DIVERTER ASSEMBLY:

**To disassemble diverter valve:** Loosen set screw and remove spray arm from pivot. Slide pivot out of diverter valve body.

#### To further disassemble deoseptic diverters:

Remove plug cap and retaining ring. Slide swivel and ball check assembly off pivot shaft, exposing all internal components.

**NOTE: This disassembly can be done without removing pivot assembly from diverter valve body.**



## Slimline® Bedpan Washer Flushometer

### TROUBLESHOOTING GUIDE

See Royal® flushometer troubleshooting section for all problems regarding the flushometer and the flushing discharge.

#### 1. Diverter leaking at spray arm.

- A. Diverter spray arm (old style) is damaged. Replace diverter arm with new spray arm replacement kit. **NOTE: On old style diverter spray arm, the spray arm O-ring was placed on groove at the end of the spray arm. When installing new spray arm kit, place washer into bottom of hole of nozzle pivot. Then place the O-ring on top of washer. Insert new spray arm into the pivot, pressing in slightly. While holding spray arm in place, tighten set screw.**
- B. Spray arm O-ring is damaged or installed improperly. Re-install O-ring as described above in step (A.). If leakage persists replace using spray arm kit DV-1007-A.

#### 2. Diverter leaking at nozzle pivot.

- A. One or both pivot O-rings are worn. Replace nozzle pivot assembly. Use pivot replacement kit.
- B. Diverter seal washer worn or missing. Replace pivot seals. Use diverter rebuild kit.
- C. Nozzle pivot damaged. Replace nozzle pivot assembly. Use pivot replacement kit.

#### 3. Erratic spray pattern from spray arm nozzle.

- A. Debris clogging nozzle screen. Wash nozzle screen under running water.
- B. Damaged or missing nozzle screen or spray disc. Replace using DV-1007-A spray arm replacement kit.

#### 4. Deoseptic solution not siphoning from bottle during flush cycle (deoseptic models only).

- A. Adjusting screw not open. Open adjusting screw until adequate amount of solution is siphoned from bottle during flush cycle.
- B. Aspirator tube screen clogged. Remove solution bottle. Remove aspirator tube from swivel & ball check assembly and wash screen under running water.
- C. Aspirator tube not installed completely onto swivel & ball check assembly. Remove solution bottle. Make sure aspirator tube is pushed completely onto nipple of swivel & ball check assembly.
- D. Aspirator tube cracked. Replace aspirator tube assembly.
- E. Rubber ball check stuck inside swivel & ball check assembly. Remove solution bottle and aspirator tube from swivel & ball check assembly. Gently insert small implement (paper clip, small dia. hex key, etc.) into nipple of swivel & ball check assembly to dislodge rubber ball check. Stop pushing once water starts to trickle from nipple.  
**NOTE: If ball is pushed too hard or too far it may fall out of seat. Should this occur, the swivel & ball check assembly must be removed and ball replaced. To do this, remove retaining ring using retaining clip pliers. Pull swivel & ball check assembly off of adjusting screw being careful not to drop rubber ball check. Place rubber ball back into seat of swivel & ball check assembly and reassemble. If ball and seals appear worn rebuild.**

#### 5. Water leaking back into solution bottle.

- A. Rubber ball damaged or missing. Replace rubber ball using DV-1004-A deoseptic diverter rebuild kit.
- B. Rubber ball not sitting in seat of swivel & ball check assembly. Remove swivel & ball check assembly taking care not to lose rubber ball. Insert rubber ball back into seat of swivel & ball check assembly and reassemble. **NOTE: Follow steps in solution (E.) of problem 4.**

### CARE AND CLEANING INSTRUCTIONS

**DO NOT USE** abrasive or chemical cleaners to clean flushometers as they may dull the luster and attack the chrome or special decorative finishes. Use **ONLY** mild soap and water, then wipe dry with clean cloth or towel.

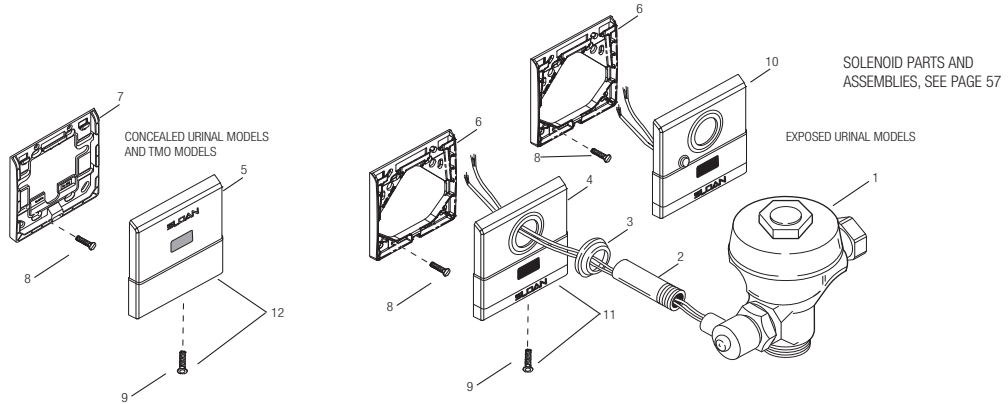
While cleaning the bathroom tile, the flushometer should be protected from any splattering of cleaner. Acids and cleaning fluids can discolor or remove chrome plating.

**When assistance is required, please contact**

**Sloan Technical Support at: 1-888-SLOAN-14 (1-888-756-2614).**

## Optima® Flushometer

Current style Royal® (after 09/26/10)

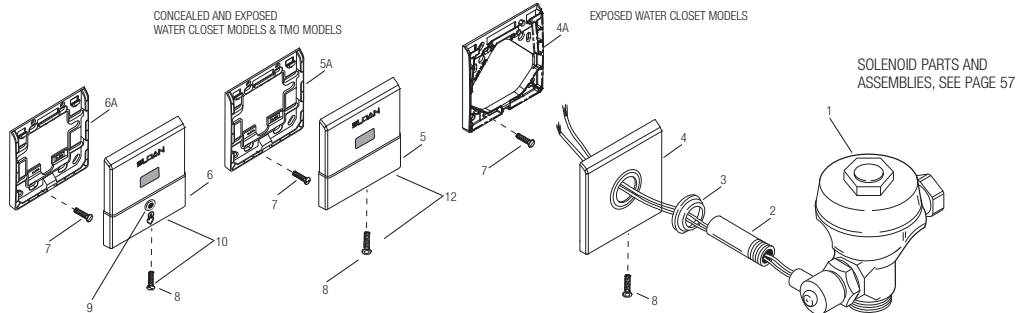


### CURRENT COVER AND MOUNTING PLATE PARTS FOR ROYAL® URINAL FLUSHOMETER

Item No.	Code No.	Part No.	Description
1.	‡		Solenoid Activated Valve Assembly
2.	<b>0306249PK</b>	F-15	Tail Assembly 3/4" x 6"
3.	<b>0345150</b>	EL-431-A	Flange Assembly
4.	<b>3305100</b>	EL-640-A	CP Cover Plate with Sensor and Mounting Hardware Assembled (Exposed Models) (includes EL-549 mounting plate)
5.	<b>3305101</b>	EL-645-A	CP Cover Plate with Sensor Assembled (Concealed Models) (includes EL-592 Moutning Plate)
6.	<b>0305251PK</b>	EL-549-A	Exposed Urinal Mounting Plate Kit

Item No.	Code No.	Part No.	Description
7.	<b>0305292PK</b>	EL-592-A	Concealed Urinal Mounting Plate Kit
8.	—		Screws (Flat Head Slotted #6/32)
9.	<b>5305100</b>	EL-674	Wall Plate Screw Kit ( #6-32 x 15.87mm)
10.	<b>03455361</b>	EL-680-A	CP Cover Plate with Sensor, OR Button and Mounting Hardware Assembled (Exposed Models) (includes EL-549 mounting plate)
†	<b>3305620</b>	EL-1500	Urinal Sensor Replacement (Exposed and Concealed Models, not shown)

† NOTE: For exposed & concealed solenoids manufactured before 2003 or not shown here, consult factory for individual part assembly. ‡ Part number varies with valve model variation; consult factory. For Solenoid Breakdown, See Pg 55.



### CURRENT COVER AND MOUNTING PLATE PARTS FOR ROYAL® CLOSET FLUSHOMETER

Item No.	Code No.	Part No.	Description
1.	‡		Solenoid Activated Valve Assembly
2.	<b>0306249PK</b>	F-15	Tail Assembly†
3.	<b>0345150</b>	EL-431-A	Flange Assembly
4.	<b>3305105</b>	EL-625-A	CP Cover Plate with Mounting Hardware (Closet only) (includes EL-549 mounting plate)
4A.	<b>0305251PK</b>	EL-549	Exposed Closet Mounting Plate
5.	<b>3305107</b>	EL-635-A	Concealed CP TMO Cover Plate with Sensor (includes Mounting Kit)
5A.	<b>0305292PK</b>	EL-592	Concealed Closet TMO Mounting Plate

Item No.	Code No.	Part No.	Description
6.	<b>3305104</b>	EL-595-A	CP Cover Plate with Sensor and Override Switch Assembled (Closet only) Exposed ES-S
6A.	<b>0305292PK</b>	EL-592	Exposed & Concealed Closet Mounting Plate
7.	—		Screws (Flat Head Slotted #6/32)
†	<b>3305621</b>	EL-1500-L	Closet Sensor Replacement Kit (Closet only, not shown)
	<b>3345095</b>	EL-1034-AB	Button Assembly Repair Kit
8.	<b>5305100</b>	EL-674	Wall Plate Screw Kit ( #6-32 x 15.87mm) (6 per kit)
9.	<b>3345095</b>	EL-1034-A	ESS Override Repair Kit for EL-595-A

#### PLATES ONLY

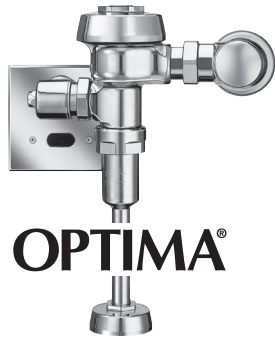
Item No.	Code No.	Part No.	Description
10.	<b>3345090</b>	EL-1030-A	Plate Assembly Only w/ Set Screw*
11.	<b>3345091</b>	EL-1031-A	Plate Assembly Only w/ Set Screw*
12.	<b>3345092</b>	EL-1032-A	Plate Assembly Only w/ Set Screw*

† NOTE: For exposed & concealed solenoids manufactured before 2003 or not shown here, consult factory for individual part assembly. ‡ Part number varies with valve model variation; consult factory.

\* Mounting plates do not include sensor. For Solenoid Breakdown, See Pg 57.

# Optima® Flushometer

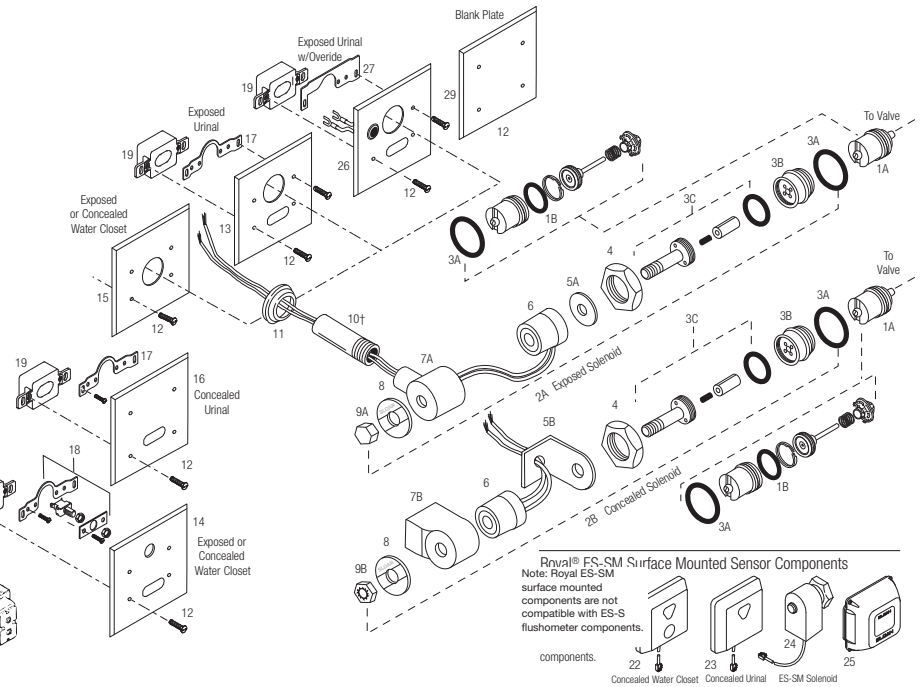
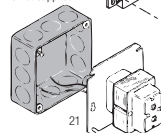
Old Royal® until 05/09, current Sloan/Regal®



**OPTIMA®**

ABBREVIATIONS:  
 CP - Chrome Plated  
 RB - Rough Brass  
 gpf - gallons per flush  
 Lpf - Liters per flush

NOTE: Gang box is not supplied.



Regal® ES-SM Surface Mounted Sensor Components

Note: Royal ES-SM surface mounted components are not compatible with ES-S flushometer components.

components: 22 Concealed Water Closet, 23 Concealed Urinal, 24 ES-SM Solenoid, 25

## SOLENOID/SENSOR PARTS AND ASSEMBLIES LIST

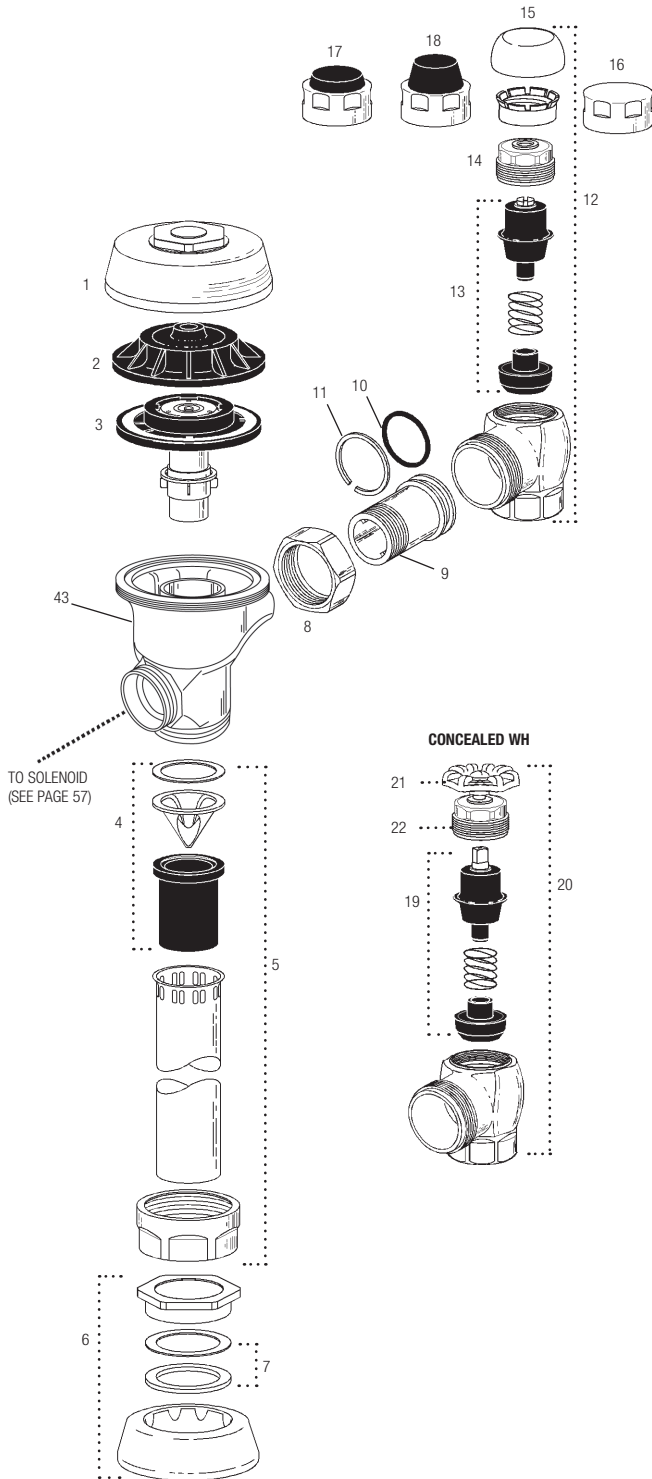
Item No.	Code No.	Part No.	Description
1A.	<b>3305043</b>	EL-128-A	Actuator Cartridge Assembly Repair Kit Includes Spring, Plunger Guide, Solenoid Valve Seat, Valve Piston Assembly, and O-Ring (also available for ES-SM flushometers)
1B.	<b>0305135</b>	EL-110	O-Ring
2A.	<b>0305328</b>	EL-124-1	120V only (no sensor)
	<b>3305044</b>	EL-1029-A	CP Cartridge/Solenoid Kit EL-124-1 (120V) and EL128-A
	<b>0305329</b>	EL-124-2	24 VAC Solenoid Assembly (exposed installation) Includes Handle Coupling, 24 VAC Coil, Face Plate for 24 VAC Solenoid, Solenoid Adapter, Solenoid Shaft Assembly, Nut for Solenoid, Solenoid Housing, Solenoid Flux Plate, and O-Ring
	<b>3305045</b>	EL-1028-A	CP Cartridge/Solenoid Kit EL-124-2 (24V) and EL128-A
2B.	<b>0305330</b>	EL-138-1	120V only (no sensor)
	<b>0305331</b>	EL-138-2	24 VAC Solenoid Assembly (concealed installation) Includes Handle Coupling, 24 VAC Coil, Face Plate for 24 VAC Solenoid, Solenoid Adapter, Solenoid Shaft Assembly, Nut for Solenoid, Solenoid Base Plate and Solenoid Cover Assembly
3A.	<b>0337086</b>	DO-22	O-Ring
3B.	<b>0305132</b>	EL-104	RB Adapter for Solenoid
3C.	<b>0305165</b>	EL-163-A	Solenoid Shaft Assembly Includes Gasket, Plunger, Plunger Spring, and Solenoid Shaft
4.	<b>0301082</b>	A-6	CP Handle Coupling (exposed installation)
5A.	<b>0305166</b>	EL-164	Solenoid Flux Plate (exposed installation) fine thread
5B.	—	EL-542	N/A Separately
6.	<b>0305119</b>	EL-165-1	120 V Coil
	<b>0305118</b>	EL-165-2	24 VAC Coil
7A.	<b>0345120</b>	EL-162-2	CP Solenoid Housing (exposed installation) fine thread
	<b>0305164</b>	EL-162-1	CP Solenoid Housing (120V) course thread also used on pre-2001 24 V
7B.	<b>0305336</b>	EL-541-A	Solenoid Cover Assembly (Includes Flux Plate)
8.	<b>0305127</b>	EL-102-2	Face Plate for 24 VAC Solenoid (exposed installation)

Item No.	Code No.	Part No.	Description
9A.	<b>0305125</b>	EL-101	CP Nut for Solenoid (exposed installation)
9B.	<b>0305167</b>	EL-166	Housing Nut for Solenoid (concealed installation)
10.	<b>0306249</b>	F-15	Tail †
	<b>0305145</b>	EL-123-A	Old Style ESS 24V course thread (120V also)
	<b>0305337PK</b>	EL-226	1-1/4" Extension for EL-123-A course thread
11.	<b>0345150</b>	EL-431-A	CP Flange Assembly (exposed installation)
	<b>0305139</b>	EL-176-A	Old Style ESS 24V course thread (120V also)
12.	<b>0305152</b>	EL-152	CP Screws (requires four screws per cover plate) Size# 6-32
13.	<b>0305151</b>	EL-151	CP Cover Plate for Sensor and Solenoid Operator (Urinal only) (L/L Variation-0305150)
14.	<b>0305219</b>	EL-201	CP Cover Plate for Sensor and Override Button (Closet only)
15.	<b>0318066</b>	HY-66	CP Cover Plate for Solenoid Operator (Closet only)
16.	<b>0305161</b>	EL-161	CP Cover Plate for Sensor
17.	<b>0305323</b>	EL-168-A	Yoke Assembly (Urinal only)
18.	<b>0305324</b>	EL-141-A	Override Switch and Yoke Assembly (Closet only)
19.	<b>3305620</b>	EL-1500	Urinal Sensor Replacement Kit (Urinal only)
20.	<b>3305621</b>	EL-1500-L	Closet Sensor Replacement Kit (Closet only)
21.	<b>0345154</b>	EL-154	Transformer (120 VAC) (also available for ES-SM flushometers) 50 VA plate mount
	<b>0345999</b>	EL-342	Transformer (240 VAC) (also available for ES-SM flushometers) 50 VA plate mount
22.	<b>3345047</b>	EL-461	Surface Mounted Sensor and Override Button Assembly (closet only)
23.	<b>3345048</b>	EL-497	Surface Mounted Sensor Assembly (urinal only)
24.	<b>0305802</b>	EL-297	Solenoid Assembly
25.	<b>3365003</b>	ETF-492-A	Control Module
26.	<b>0345266</b>	EL-566-A	Exposed Plate with Override Button (Urinal only)
27.	<b>0345267</b>	EL-567-A	Yoke Assembly for EL-566-A
28.	<b>3345080</b>	EL-1026-A	ESS to TMO Retrofit Kit (Exposed)*
—	<b>0305148</b>	EL-227	Repair Tool Kit for EL-163-A Repair Kit
—	<b>0345016</b>	EL-387-A	Override Button Replacement for EL-566-A
—	<b>3345021</b>	EL-1010-A	O-ring Repair Kit*
29.	<b>0305186PK</b>	EL-139	Blank Plate

† NOTE: For exposed & concealed solenoids manufactured before 2001 or not shown here, consult factory for individual part assembly. \* Not Shown



## Optima® Royal® Flushometer



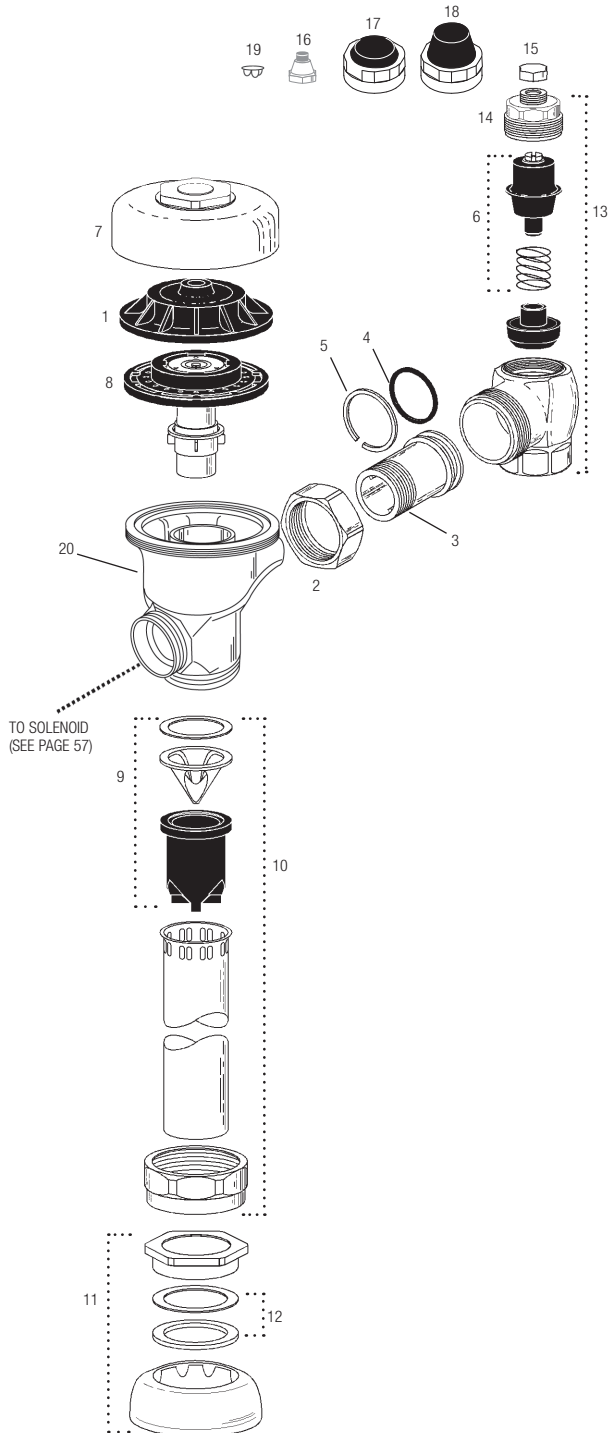
**ABBREVIATIONS:**  
 CP Chrome Plated  
 RB Rough Brass  
 SD Screwdriver  
 WH Wheel Handle  
 gpf gallons per flush  
 Lpf Liters per flush

Item No.	Code No.	Part No.	Description
1.	<b>0301172</b>	A-72	CP Cover
2.	<b>0301168</b>	A-71	Inside Cover
3.	<b>SEE DIAPHRAGM ASSEMBLY CHART ON PAGE 24</b>		
4.	<b>3323182</b>	V-651-A	Vacuum Breaker Repair Kit
5.	<b>3393004</b>	V-600-AA	3/4" (19 mm) x 9" (229 mm) CP Vacuum Breaker
	<b>3393006</b>	V-600-AA	1-1/4" (32 mm) x 9" (229 mm) CP Vacuum Breaker
	<b>3393007</b>	V-600-AA	1-1/2" (38 mm) x 9" (229 mm) CP Vacuum Breaker
6.	<b>0306125</b>	F-5-AW	3/4" (19 mm) CP Spud Coupling Assembly
	<b>0306140</b>	F-5-AU	1-1/4" (32 mm) CP Spud Coupling Assembly
	<b>0306146</b>	F-5-AT	1-1/2" (38 mm) CP Spud Coupling Assembly
7.	<b>SEE SLIP JOINT GASKETS AND RINGS TABLE ON PAGE 15</b>		
8.	<b>0308676</b>	H-550	CP Stop Coupling
9.	<b>0308801</b>	H-551-A	CP Adjustable Tail 2-1/16" (52 mm) long
10.	<b>5308696</b>	H-553	O-Ring – 24 per package
11.	<b>5308381</b>	H-552	Locking ring – 12 per package
12.	<b>3308386</b>	H-700-A	1" (25 mm) Screwdriver Bak-Chek® Angle Stop CP – complete
	<b>3308384</b>	H-700-A	3/4" (19 mm) Screwdriver Bak-Chek® Angle Stop CP – complete
13.	<b>3308853</b>	H-541-A-SD	Control Stop Repair Kit for use with 1" (25 mm) H-700-A & 3/4" (19 mm) H-700-A, 1" (25 mm) H-600-A, 1" (25 mm) & 3/4" (19 mm) H-700-A and 1" (25 mm) H-540-A SD Stops
	<b>3308856</b>	H-543-A-SD	Control Stop Repair Kit for use with 3/4" (19 mm) H-600-A and H-540-A SD Stops
14.	<b>0308612</b>	H-622 CP	Bonnet for use with 1" (25 mm) & 3/4" (19 mm) H-700-A and 1" (25 mm) H-600-A SD Stops
	<b>0308843</b>	H-577	CP Bonnet for use with 3/4" (19 mm) H-600-A SD Stops – <b>DISCONTINUED</b>
15.	<b>3308772</b>	H-1010-A	1" (25 mm) Vandal Resistant Control Stop Cap Assembly for use with 1" (25 mm) & 3/4" (19 mm) H-700-A and 1" (25 mm) H-600-A SD Stops
	<b>3308790</b>	H-1009-A	3/4" (19 mm) Vandal Resistant Control Stop Cap Assembly for use with 3/4" (19 mm) H-600-A SD
16.	<b>3308840</b>	H-573	1" (25 mm) Control Stop Cap CP for use with 1" (25 mm) & 3/4" (19 mm) H-700-A and 1" (25 mm) H-600-A SD Stops
	<b>0308848</b>	H-582	3/4" (19 mm) Control Stop Cap CP for use with 3/4" (19 mm) H-600-A SD Stops
17.	<b>3308866</b>	H-574	1" (25 mm) Control Stop Cap with Bumper for use with 1" (25 mm) & 3/4" (19 mm) H-700-A and 1" (25 mm) H-600-A SD Stops
18.	<b>3308867</b>	H-576	1" (25 mm) Control Stop Cap with Extended Bumper for use with 1" (25 mm) & 3/4" (19 mm) H-700-A and 1" (25 mm) H-600-A SD Stops
19.	<b>3308860</b>	H-1006-A	Repair Kit for 1" (25 mm) Stops with Concealed WH for use with 1" (25 mm) H-700-A, H-600-A, and H-543-AWH WH Series Stops
	<b>3308859</b>	H-1007-A	Repair Kit 3/4" (19 mm) Stops with Concealed WH for use with 3/4" (19 mm) H-700-A WH Series Stops
20.	<b>0388010</b>	H-730-A	1" (25 mm) Concealed WH Bak-Chek® Angle Stop RB
	<b>0388011</b>	H-730-A	3/4" (19 mm) Concealed WH Bak-Chek® Angle Stop RB
21.	<b>3308872</b>	H-1011-A	Repair Kit (for Concealed WH only; does not include bonnet)
42.	<b>0208083</b>	H-623	Bonnet
	<b>0308705</b>	H-561	Bonnet – <b>DISCONTINUED</b>
43.	<b>0301048</b>	A-143-A	CP Valve Body includes (H-550) coupling, (H-551) tailpiece, (H552) Locking Ring & (H553) O-ring
	<b>0301050</b>	A-143-A	RB Valve Body includes (H-550) coupling, (H-551) tailpiece, (H552) Locking Ring & (H553) O-ring
	<b>0301065PK</b>	A3SPL-1	CP Valve Body ONLY
	<b>3388015</b>	H-1015-A	Flow Control Kit (HEU Only) (not Shown)



# Optima® Regal® Flushometer

NOTE: Also for use with Regal® XL (Since mid-2010)



## OPTIMA® REGAL® FLUSHOMETER PARTS LIST

Item No.	Code No.	Part No.	Description
1.	<b>0301168</b>	A-71	Inside Cover
2.	<b>0308676</b>	H-550	CP Stop Coupling
3.	<b>0308801</b>	H-551-A	CP Adjustable Tail 2-1/16" (52 mm) long
4.	<b>5308696</b>	H-553	O-Ring – 24 per package
5.	<b>5308381</b>	H-552	Locking ring – 12 per package
6.	<b>3308853</b>	H-541-A-SD	Control Stop Repair Kit for use with 1" (25 mm) H-700-A & 3/4" (19 mm) H-700-A, 1" (25 mm) H-600-A, 1" (25 mm) & 3/4" (19 mm) H-700-A and 1" (25 mm) H-540-A SD Stops
	<b>3308856</b>	H-543-A-SD	Control Stop Repair Kit for use with 3/4" (19 mm) H-600-A
7.	<b>0317004</b>	R-10	CP Cover
8.	<b>SEE INSIDE PARTS ASSEMBLY CHART ON PAGE 42</b>		
9.	<b>3323192</b>	V-551-A	Vacuum Breaker Repair Kit
10.	<b>5323005</b>	V-500-AA	3/4" (19 mm) x 9" (229 mm) CP Vacuum Breaker
	<b>5323006</b>	V-500-AA	1-1/4" (32 mm) x 9" (229 mm) CP Vacuum Breaker
	<b>5323007</b>	V-500-AA	1-1/2" (38 mm) x 9" (229 mm) CP Vacuum Breaker
11.	<b>0306102</b>	F-54-A	3/4" (19 mm) CP Spud Coupling Assembly
	<b>0306142</b>	F-55-A	1-1/4" (32 mm) CP Spud Coupling Assembly
	<b>0306145</b>	F-56-A	1-1/2" (38 mm) CP Spud Coupling Assembly
12.	<b>SEE SLIP JOINT GASKETS AND RINGS TABLE BELOW</b>		
13.	<b>0388065</b>	H-790-A	1" Screwdriver Stop Adjustable
	<b>0388064</b>	H-790-A	3/4" Screwdriver Stop Adjustable
	<b>0388029</b>	H-740-A	1" (25 mm) SD Bak-Chek® Stop CP – complete <b>DISCONTINUED</b>
	<b>0388031</b>	H-740-A	3/4" (19 mm) SD Bak-Chek® Stop CP – complete <b>DISCONTINUED</b>
14.	<b>0308612</b>	H-622	CP Bonnet (Current Regal®)
	<b>0308991</b>	H-639	CP Bonnet for use with 1" (25 mm) & 3/4" (19 mm) H-700-A and 1" (25 mm) H-540-A SD Stops – Pre 2010 Regal® Stops
	<b>0308601</b>	H-538	CP Bonnet for use with H-700-A 3/4" (19 mm) SD Stop – <b>DISCONTINUED</b>
15.	<b>5388001</b>	H-1012-A	CP Cap – 6 per package VP
16.	<b>5310034</b>	J-2/J-7	Bumper Assembly – 6 per package <b>DISCONTINUED</b>
17.	<b>3308866</b>	H-574	Stop Cap, chrome plated with Seat Bumper (-Y0)
18.	<b>3308867</b>	H-576	Stop Cap, chrome plated with Extended Seat Bumper (-YG)
19.	<b>5388002</b>	H-528	Hole Plug
20.	<b>0301048</b>	A-143-A	CP Valve Body
	<b>0301050</b>	A-143-A	RB Valve Body
	<b>0301065PK</b>	A3SPL-1	CP Valve Body ONLY
	<b>3388015</b>	H-1015-A	Flow Control Kit (HEU Only) (not Shown)

NOTE: Also refer to the Royal®, Regal®, control stop and flush connection sections.

## ITEM 31A. SLIP JOINT GASKETS AND RINGS

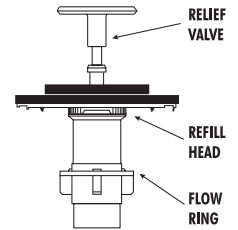
Size	Code No.	Part No.	Description
1-1/2"	<b>5306058</b>	F-3	Red Friction Ring
	<b>5322001</b>	VBF-5	Black Slip Joint Gasket
	<b>0319086/5319086</b>	S-30	Flexible Seat
	<b>0319079</b>	S-21	Rigid Seat (rubber over brass)
1-1/2" x 1-1/4"	<b>0396062</b>	F-105	Slip Joint Gasket – Rigid
1-1/4"	<b>5306057</b>	F-3	Red Friction Ring
	<b>5322176</b>	VBF-5	Black Slip Joint Gasket
	<b>0307052/5307052</b>	G-21	Rigid Seat (rubber over brass)
1"	<b>5306056</b>	F-3	Red Friction Ring
	<b>5306115</b>	F-5	Black Slip Joint Gasket
3/4"	<b>5306055</b>	F-3	Red Friction Ring
	<b>5306113</b>	F-5	Black Slip Joint Gasket

# Optima® Flushometer

## ROYAL® ESS (ITEM 24) REPAIR KIT

Code No.	Part No.	Description	Relief Valve	Refill Head*	Flow Ring
3345014	EL-1102-A	Water Saver Water Closets-3.5 gpf (13.2 Lpf)	White	Gray	Smooth
3345015	EL-1103-A	9 Liter European Water Closets-2.4 gpf (9.0 Lpf)	Blue	Gray	Smooth
3345013	EL-1101-A	Low Consumption Water Closets-1.6 gpf (6.0 Lpf)	Green	Gray	Smooth
3345083	EL-1109-A	High Efficiency Urinals-1.28 gpf (4.8 Lpf)	Blue	Gray	Smooth
3345018	EL-1108-A	Water Saver Urinals-1.5 gpf (5.7 Lpf)	Black	Black	Smooth
3345017	EL-1107-A	Low Consumption Urinals-1.0 gpf (3.8 Lpf)	Green	Black	Slotted
3345016	EL-1106-A	Wash Down Urinals-0.5 gpf (1.9 Lpf)	Green	Black	Smooth
3345093	EL-1105-A	High Efficiency Urinals-0.125 gpf (0.5 Lpf)	Blue	HEU Black	Smooth

To identify the Flush Volume of a DUAL FILTERED DIAPHRAGM ASSEMBLY, look at the color of the relief valve, the refill head and the shape of flow ring.



\*NOTE: Water closet refill heads (gray) have larger slots than urinal refill heads (black).

## DIAPHRAGM ONLY KIT

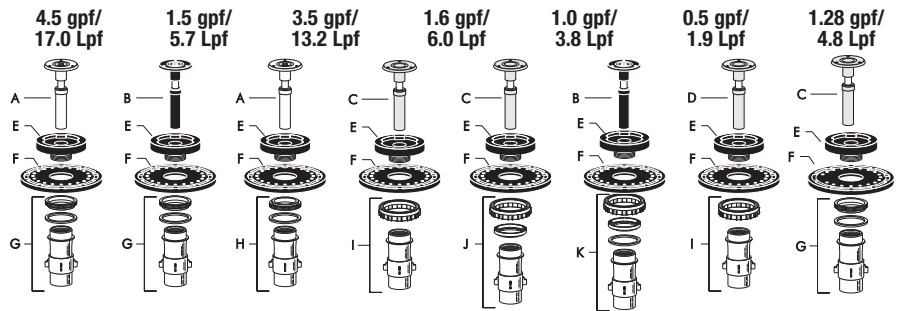
Code No.	Part No.	Description	Relief Valve	Refill Head*	Flow Ring
3301502	A-1041-A	Low Consumption Water Closets-1.6 gpf (6.0 Lpf)	Green	Gray	Smooth
3301501	A-1038-A	Water Saver Water Closets-3.5 gpf (13.2 Lpf)	White	Gray	Smooth
3301506	A-1045-A	High Efficiency Water Closets-1.28 gpf (4.8 Lpf)	Blue	Gray	Smooth
3301505	A-1044-A	9 Liter European Water Closets-2.4 gpf (9.0 Lpf)	Blue	Gray	Smooth
3301504	A-1043-A	Wash Down Urinals-0.5 gpf (1.9 Lpf)	Green	Black	Smooth
3321503	A-1042-A	Low Consumption Urinals-1.0 gpf (3.8 Lpf)	Green	Black	Slotted
3301500	A-1037-A	Water Saver Urinals-1.5 gpf (5.7 Lpf)	Black	Black	Smooth
3301142	A-1047-A	High Efficiency Urinals-0.25 gpf (1.0 Lpf) with White Inserts	White	HEU Black	Smooth
3301143	A-1050-A	High Efficiency Urinals-0.125 gpf (0.5 Lpf) with White Inserts	Blue	HEU Black	Smooth

\*NOTE: Water closet refill heads (gray) have larger slots than urinal refill heads (black).

## REGAL® ESS (ITEM 28) INSIDE PARTS KITS ASSEMBLY

NOTE: Also for use with Regal® XL (Since mid-2010)

Code No.	Part No.	Description
3301036	A-36-A	4.5 gpf/17.0 Lpf-Closet
3301037	A-37-A	1.5 gpf/5.7 Lpf-Urinal
3301038	A-38-A	3.5 gpf/13.2 Lpf-Closet
3301041	A-41-A	1.6 gpf/6.0 Lpf-Closet
3301044	A-42-A	1.0 gpf/3.8 Lpf-Urinal
3301081	A-43-A	0.5 gpf/1.9 Lpf-Urinal
3301024	A-44-A	2.4 gpf/9.0 Lpf-Closet
3301045	A-140-A	1.28 gpf/4.8 Lpf- Closet



A-36-A Closet    A-37-A Urinal    A-38-A Closet    A-41-A Closet    A-42-A Urinal    A-43-A Urinal    A-44-A Closet    A-140-A Closet

## REGAL® INSIDE PARTS LIST\*\* NOTE: Also for use with Regal® XL (Since mid-2010)

Item No.	Code No.	Part No.	Description
A.	5301058	A-19-AC	Relief Valve, White (Closet)
B.	5301059	A-19-AU	Relief Valve, Black (Urinal)
C.	5301211	A-19-ALC	Relief Valve, Green (Closet/Urinal-Low Consumption)
D.	0301143	A-19-AL	Relief Valve, Blue (9 Liter Closet)
E.	5301111	A-15-A	Disc
F.	5301188	A-156-A	Diaphragm
G.	5301236	A-163-A	Guide Assembly 4.5 gpf/17.0 Lpf Closet and 1.5 gpf/5.7 Lpf Urinal
H.	5301032	A-152-A	Guide Assembly 3.5 gpf/13.2 Lpf Closet
I.	5301031	A-151-A	Guide Assembly 1.6 gpf/6.0 Lpf Closet
J.	5301155	A-155-A	Guide Assembly 1.0 gpf/3.8 Lpf Urinal
K.	5301157	A-157-A	Guide Assembly 0.5 gpf/1.9 Lpf Urinal

\*\*NOTE: All Regal® inside part items are supplied in 12 per package.

## Optima® Flushometer

### SOLENOID/SENSOR KITS LIST

Code No.	Part No.	Description
3305045	EL-124-2	CP 24 VAC Solenoid Assembly for exposed applications. Includes 24 VAC solenoid assembly and actuator cartridge assembly repair kit.
3305154	EL-1001-A	Closet flushometer Electronic Accessories Kit with Override. Includes screws, hex wrench, plate for 2-gang electrical box, mounting plate, override switch, yoke assembly, closet sensor replacement kit, an Optima® sticker and sensor Installation Instructions.
3305170	EL-1005-A	Exposed Urinal flushometer Electronic Accessories Kit. Includes plate for 2-gang electrical box, four screws, yoke, hex wrench, washer, urinal sensor replacement kit, an Optima® sticker and sensor Installation Instructions.
3305172	EL-1007-A	Concealed Urinal flushometer Accessories Kit. Includes screws, yoke, plate for 2-gang electrical box, hex wrench, washer, urinal sensor replacement kit, an Optima® sticker and sensor Installation Instructions.

### WALL BOX KITS CLOSET MODELS

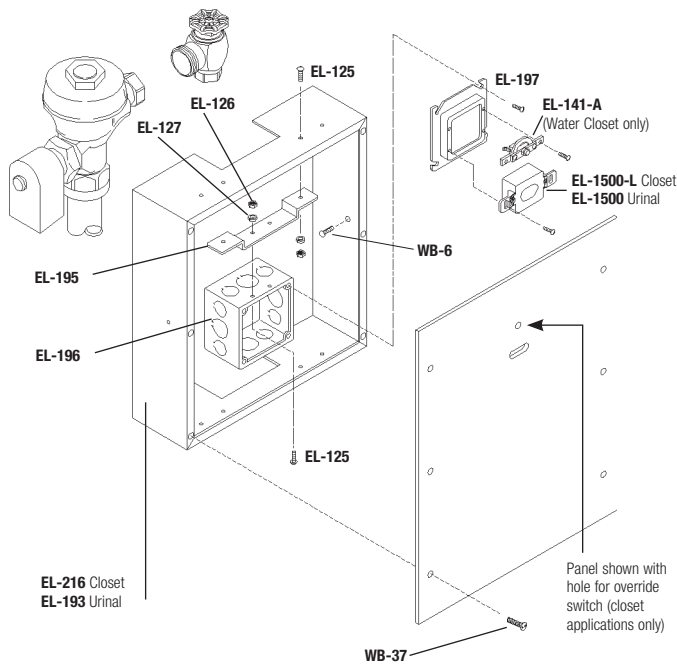
Code No.	Part No.	Description
3305180	EL-192-A	Closet Wall Box Kit – Stainless Steel. Includes four Mounting Screws, four Hex Nuts, four Lock Washers, Mounting Bracket, Electrical Box, Electrical Box Cover, Override Switch Subassembly, Wall Box 13" x 17" (330 mm x 432 mm) with 14.5" x 18.5" (368 mm x 470 mm) Stainless Steel Wall Box Cover with hole for override switch, Spanner Bit and Closet Sensor Replacement Kit.
3305160	EL-192-ALS	Same as EL-192-A. Sensor NOT included.

### WALL BOX KITS URINAL MODELS

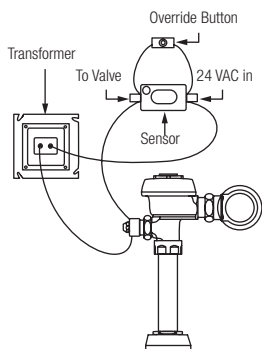
3305178	EL-191-A	Urinal Wall Box Kit – Stainless Steel. Includes Mounting Screws, Hex Nuts, Lock Washers, Wall Box 13" x 17" (330 mm x 432 mm) with 14.5" x 18.5" (368 mm x 470 mm) Stainless Steel Wall Box Cover, Mounting Bracket, Electrical Box, Electrical Box Cover, Spanner Bit, Urinal Sensor Replacement Kit.
3305158	EL-191-ALS	Same as EL-191-A. Sensor NOT included.

### WALL BOX PARTS

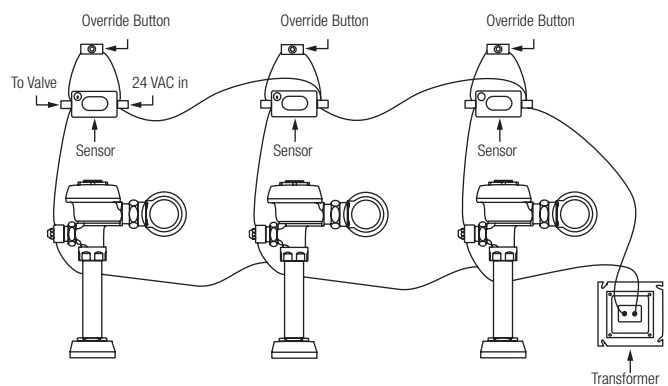
0305845	EL-318	#8 Spanner Bit for WB-37 Spanner Screws (#8)
0334021	WB-37	Spanner Head Screws for ESS WB
5334000	WB-1000-A	6 Pack of WB-37 Screws
—	EL-216	Wall Box Frame and Stainless Steel Wall Box Cover for Water Closet. Mounting Hardware and Sensor NOT Included.
—	EL-193	Wall Box Frame and Stainless Steel Wall Box Cover for Urinal. Mounting Hardware and Sensor NOT Included.



### TYPICAL WIRING DIAGRAM FOR ONE FLUSH VALVE



### TYPICAL WIRING DIAGRAM FOR ONE OR MORE FLUSH VALVE(S)



# Optima® Flushometer

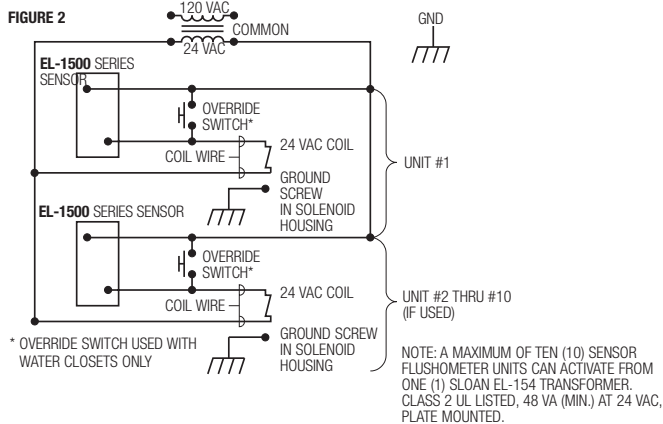
## SENSOR REPLACEMENT

NOTE: The EL-1500 series Optima sensor (a two-wire unit) replaces the older EL-150 series sensors (either three-wire or four-wire units). Refer to the wiring history shown below.

### IMPORTANT

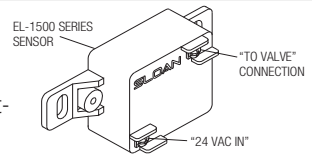
- Be certain to disconnect the 24 VAC power supply either at the transformer or the fuse box. Failure to disable the power supply can result in damage to the EL-1500 series sensor.
  - The solenoid activated must be removed from the valve on exposed urinal installations. Do not damage the O-ring seal on the operator assembly.
1. Remove the cover plate (for wall box installation, remove cover panel) and old sensor from the wall installation. Use a 5/64" hex wrench to remove the cover plate screws (or #8 drilled spanner head screwdriver EL-318 to remove the vandal-resistant screws from the wall box cover panel.)
- FIGURE 1A
- 
- FIGURE 1B
- 
2. Connect one 24 VAC lead to the sensor terminal labeled "24 VAC IN" (see Figure 1B).
    - On an old three-wire series EL-150 sensor, this wire was connected to the BLACK sensor lead.
    - On an old four-wire series EL-150 sensor, this wire was connected to the BROWN sensor lead.
  3. Connect one solenoid lead to the sensor terminal labeled "TO VALVE" (see Figure 1B).
    - On an old three-wire or four-wire EL-150 series sensor, this wire was connected to the RED sensor lead.
  4. Connect the remaining 24 VAC lead to the remaining solenoid lead.
    - On an old three-wire series EL-150 sensor, these wires were connected to the WHITE sensor leads.
    - On an old four-wire EL-150 series sensor, these wires were connected to the YELLOW and BLUE (or in very early models, the inner BROWN) sensor leads.
  5. On Water Closet installations only, connect the override button (shown as the override switch in wiring diagram) parallel to the EL-1500-L sensor.
  6. Reinstall the sensor with the orientation arrow on the lens side of the sensor pointing UP (see Figure 1A). Replace the cover plate (or wall box panel) and tighten the cover plate (or wall box panel) screws.
  7. Reconnect the 24 VAC power supply at the transformer or the fuse box.

## WIRING DIAGRAM



## START-UP MODE

The self-adaptive sensor automatically adapts to the surrounding environment when 24 volt supply is activated. No manual adjustments are required. Start-up mode will take approximately one (1) minute to complete its cycle and is important that no non-permanent target is present at this time. A continuous red light visible in sensor window indicates sensor is in the start-up mode. If the red light is flashing, this indicates that the sensor is picking up a target. Unless this target is a permanent fixture in the sensor's environment (i.e., wall or stall door), it must be removed from the view of the sensor. Then, either disconnect the 24 volt supply for twenty (20) seconds, or push the manual override button for twenty (20) seconds in closet set-up. Reconnect the 24 VAC power supply at the transformer or the fuse box. When the start-up cycle is complete, there will be no light visible in the sensor window.



**NOTE: If the 24 volt power supply is ever interrupted for longer than twenty (20) seconds, the start-up mode automatically begins when power is restored.**

Incorrect wiring or a short in the 24 volt power supply is indicated by a continuous warning signal seen in the sensor window. The visible red light flashes an "SOS" signal: three (3) slow, three (3) fast, three (3) slow flashes.

## SENSOR RANGE

### Water Closets – EL-1500-L

Nominal: 15"-50" (381-1270 mm); Self-Adaptive Window: ± 17" (432 mm)

### Urinals – EL-1500

Nominal: 12"-32" (305-813 mm); Self-Adaptive Window: ± 10" (254 mm)

## START-UP MODE (FOR PREVIOUS SENSOR)

NOTE: It is important that only permanent targets are present at this time.

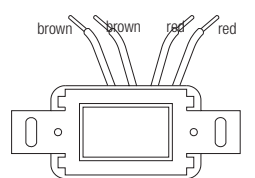
The self-adaptive sensor automatically adjusts to the surrounding environment when the 24 volt supply is activated. No manual adjustment is required. The start-up cycle completes in approximately five (5) minutes. A continuous red light visible in the sensor window indicates the start-up mode. If the red light flashes, the sensor detects a target. Unless this target is a permanent fixture in the sensor's environment (i.e., a wall or stall door), it must be removed from the view of the sensor. If a target is permanent, the sensor will adapt itself around this target. In this case, the start-up mode may take up to ten (10) minutes. When the start-up cycle is complete, there will be no light visible in the sensor window.

**NOTE: If the 24 volt power supply is ever interrupted for longer than fifteen (15) seconds, the start-up mode begins automatically when power is restored.**

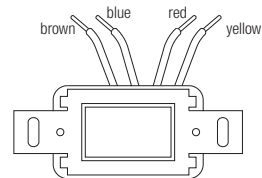
**Incorrect wiring or a short in the 24 volt power supply will initiate a warning signal in the sensor window. The visible light flashes a continuous "S-O-S" signal: three (3) fast, three (3) slow, and three (3) fast flashes.**

## EL-150 Wiring History for 4-wire and 3-wire sensors

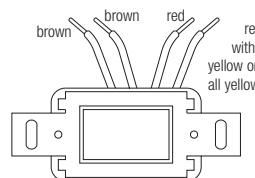
Release date 03/09/78



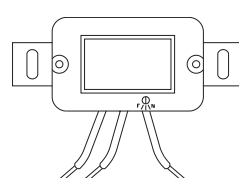
Release date 02/02/87



Release date 08/11/83



Release date 12/12/90



## Optima® Flushometer

### TROUBLESHOOTING GUIDE

**ATTENTION INSTALLERS:** With the exception of the control stop inlet, DO NOT USE pipe sealant or plumbing grease on any valve component or coupling! To protect the chrome or special finish of Sloan flushometers, DO NOT USE toothed tools to install or service these valves. Use our A-50 Super-Wrench™ or other smooth-jawed wrench to secure couplings. Regulations for low consumption fixtures (1.6 gpf/6.0 Lpf closets and 1.0 gpf/3.8 Lpf urinals) prohibit use of higher flush volumes.

#### Urinals (EL-1500 Sensor)

When the sensor detects a user, a slow flashing red light appears in the sensor window. After eight (8) to ten (10) seconds, the light flashes rapidly to indicate that the sensor is armed. When the sensor no longer detects a user, the sensor immediately activates the solenoid valve after a 0.5 second delay.

#### Water Closets (EL-1500-L Sensor)

When the sensor detects a user, a slow flashing red light appears in the sensor window. After approximately sixteen (16) seconds, the light will flash rapidly indicating sensor is armed. When the sensor no longer detects a user, the sensor immediately activates the solenoid after a 3 second delay.

#### 1. Valve does not function (red light does not flash when user steps in front of sensor).

- No power is being supplied to sensor. Ensure that the main power is turned "ON". Check transformer, leads and connections. Repair or replace as necessary.
- EL-1500/EL-1500-L sensor is not operating. Replace sensor.

#### 2. Valve does not function (red light flashes when user steps in front of sensor).

**INDICATOR: The red light stops flashing when user steps away and the valve makes a "clicking" sound but does not flush.**

- No water is being supplied to the valve. Make certain that water supply is turned "ON" and the control stop is open.
- EL-128-A cartridge is fouled or jammed. Turn electronic power to valve "OFF" (failure to do so could result in damage to the solenoid coil). Remove the solenoid operator from the valve and remove the EL-128-A cartridge. Clean and/or repair as necessary.

**INDICATOR: The red light stops flashing when user steps away but the valve does NOT make a "clicking" sound and does NOT flush.**

- EL-163-A solenoid shaft assembly is fouled or jammed. Turn electronic power to valve "OFF" (failure to do so could result in damage to the solenoid coil). Remove EL-101 or EL-166 nut from the solenoid operator. Remove the coil from the solenoid operator. Use a spanner wrench or pliers to remove the EL-163-A solenoid shaft assembly from valve. Clean and/or replace as necessary. Be sure to replace plunger spring when reassembling solenoid shaft assembly.

**INDICATOR: The red light flashes three (3) fast flashes, three (3) slow flashes then three (3) fast flashes ("S-O-S") and continues to repeat this cycle even when user steps out of the sensor's detection range.**

- EL-1500/EL-1500-L sensor wiring connections are incorrect. Rewire sensor to valve. One solenoid lead connects to the "TO VALVE" connection on sensor. One transformer lead connects to the "24 VAC IN" connection on sensor. Second solenoid lead and second transformer lead connect together.
- Wiring to sensor is ground shorted. Find short in wiring circuit and correct.
- EL-165-2 solenoid coil is burnt out or coil is not connected to solenoid plunger shaft. Reinstall or replace coil as necessary.

#### 3. Range too short.

- Power down unit for 30 seconds. Power up. Wait six (6) minutes for calibration.
- If reset does not work, replace.

#### 4. Volume of water is insufficient to adequately siphon fixture.

- Control stop is not open wide enough. Adjust control stop for desired water delivery.
- Low consumption unit is installed on water saver or conventional fixture. Replace diaphragm component parts of valve with kit that corresponds to appropriate flush volume of fixture.
- Inadequate water volume or pressure available from supply. Increase pressure or supply (flow rate) to the valve.

#### 5. Length of flush is too long (long flushing) or valve fails to shut off.

- Water saver valve is installed on low consumption fixture. Replace diaphragm component parts of valve with kit that corresponds to appropriate flush volume of fixture.
- Relief valve in diaphragm is not seated properly or the by-pass hole in diaphragm is clogged. Disassemble inside diaphragm component parts and wash parts thoroughly. Replace worn parts if necessary.

#### 6. Water splashes from fixture.

- Supply flow rate is more than necessary. Adjust control stop to meet flow rate required for proper cleansing of the fixture.
- Closet valve is installed on urinal fixture. Replace closet diaphragm component parts with proper urinal kit (inside diaphragm assembly or inside parts kit).

### CARE AND CLEANING INSTRUCTIONS

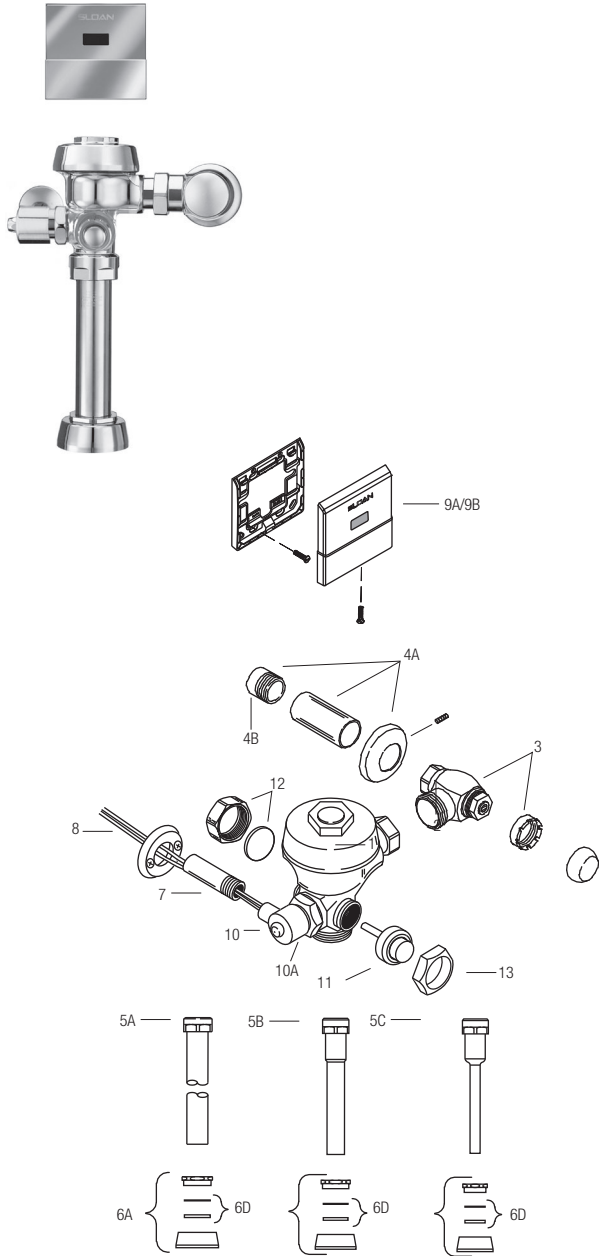
**DO NOT USE** abrasive or chemical cleaners to clean flushometers or sensor that may dull the luster and attack the chrome or special decorative finishes. Use **ONLY** mild soap and water, then wipe dry with a clean towel or cloth.

When cleaning the bathroom tile, protect the flushometer from any splattering of cleaner. Acids and cleaning fluids can discolor or remove chrome plating.

**When assistance is required, please contact  
Sloan Technical Support at: 1-888-SLOAN-14 (1-888-756-2614).**



# Optima® Royal® ES-S TMO Exposed Flushometer



## ROYAL® OPTIMA® ES-S TMO EXPOSED FLUSHOMETER PARTS LIST

Item No.	Code No.	Part No.	Description
1.	‡		Solenoid Activated Valve Assembly
2.	‡	H-700-A	Bak-Chek® Control Stop
3.	<b>3308772</b>	H-1010-A	Vandal Resistant Stop Cap
4A.	<b>3308782</b>	H-633-AA	1" (25 mm) Sweat Solder Kit
4B.	<b>3308603</b>	H-532	Adapter, 1" NPT to 1" Tube
	<b>3308607</b>	H-535	Adapter, 3/4" NPT to 3/4" Tube
5A.	—	V-600-AA	1-1/2" (38 mm) Vacuum Breaker Assembly CP (Models 110/111, 115, and 116)
5B.	—	V-600-AA	1-1/4" (32 mm) x 9" (229 mm) Vacuum Breaker Assembly CP (Model 180 ES-S)
5C.	—	V-600-AA	3/4" (19 mm) x 9" (229 mm) Vacuum Breaker Assembly CP (Model 186 ES-S)
6A.	<b>0306146</b>	F-5-AT	1-1/2" (38 mm) Spud Coupling Assembly CP (Models 110/111, 115, and 116)
6B.	<b>0306140</b>	F-5-AU	1-1/4" (32 mm) Spud Coupling Assembly CP (Model 180)
6C.	<b>0306125</b>	F-5-AW	3/4" (19 mm) Spud Coupling Assembly CP (Model 186)
6D.	<b>SEE SLIP JOINT GASKETS AND RINGS ON TABLE BELOW</b>		
7.‡	F-15		Tail Assembly
8.	<b>0302323PK</b>	B-110-A	Flange Assembly
9A.	<b>3305107</b>	EL-635-A	CP Cover Plate with Sensor (Mounting Plate and Screws included) (Models 110/111, 115, and 116)
9B.	<b>3305101</b>	EL-645-A	CP Cover Plate with Sensor (Mounting Plate and Screws included) (Models 180 and 186)
10.	<b>0305329</b>	EL-124-2	CP 24V Solenoid Assembly Only
10A	<b>3305043</b>	EL-128-A	Actuator Cartridge Assembly (not shown detailed)
	<b>3305045</b>	EL-1028-A	Solenoid Assembly w/ Cartridge Assembly
11.	<b>0303009</b>	C-2-A	True Mechanical Override Button
12.	<b>3325814</b>	EBV-1017-A	CP Valve Handle Cap
13.	<b>0301082PK</b>	A-6	CP Nut
—	<b>3345080</b>	EL-1026-A	ES-S to ES-S-TMO Conversion Kit Exposed includes Body/Tail assembly (no inside parts or covers) #11, #12, #13, DO-22 and EL-110 o-rings
—	<b>3305043</b>	EL-128-A	Actuator Cartridge
14.	<b>3302306</b>	B-51-A	Triple Seal Handle Repair Kit
15.	<b>3345080</b>	EL-126-A	ESS to TMO Retrofit Conversion Kit (Exposed*)
	<b>3388015</b>	H-1015-A	Flow Control Kit (HEU Only) (not Shown)
16.			

‡ Part number varies with valve model variation; consult factory.

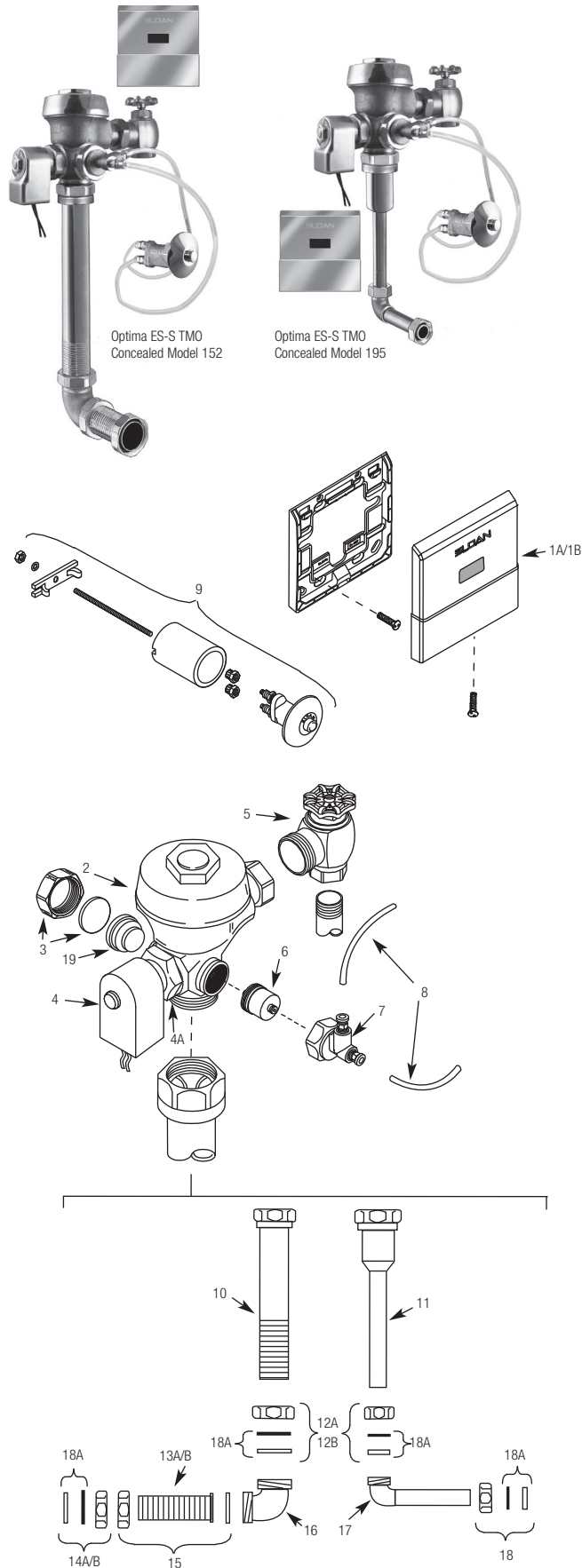
\* Not shown

## ITEM 6D. SLIP JOINT GASKETS AND RINGS

Size	Code No.	Part No.	Description
1-1/2"	<b>5306058</b>	F-3	Red Friction Ring
	<b>5322001</b>	VBF-5	Black Slip Joint Gasket
	<b>0319086/5319086</b>	S-30	Flexible Seat
	<b>0319079</b>	S-21	Rigid Seat (rubber over brass)
1-1/2" x 1-1/4"	<b>0396062</b>	F-105	Slip Joint Gasket – Rigid
1-1/4"	<b>5306057</b>	F-3	Red Friction Ring
	<b>5322176</b>	VBF-5	Black Slip Joint Gasket
	<b>0307052/5307052</b>	G-21	Rigid Seat (rubber over brass)
1"	<b>5306056</b>	F-3	Red Friction Ring
	<b>5306115</b>	F-5	Black Slip Joint Gasket
3/4"	<b>5306055</b>	F-3	Red Friction Ring
	<b>5306113</b>	F-5	Black Slip Joint Gasket



# Optima® Royal® ES-S TMO Concealed Flushometer



## ROYAL® OPTIMA® ES-S TMO CONCEALED FLUSHOMETER PARTS LIST

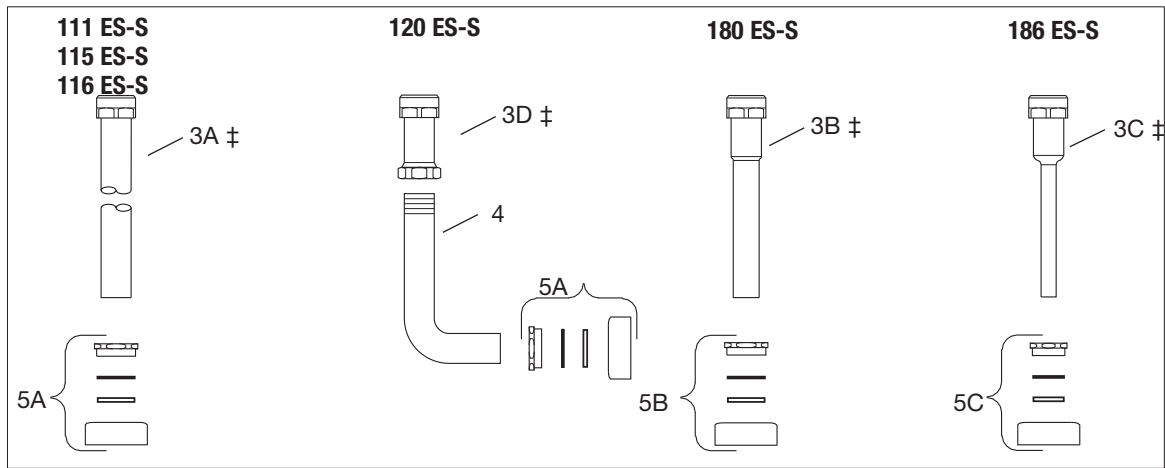
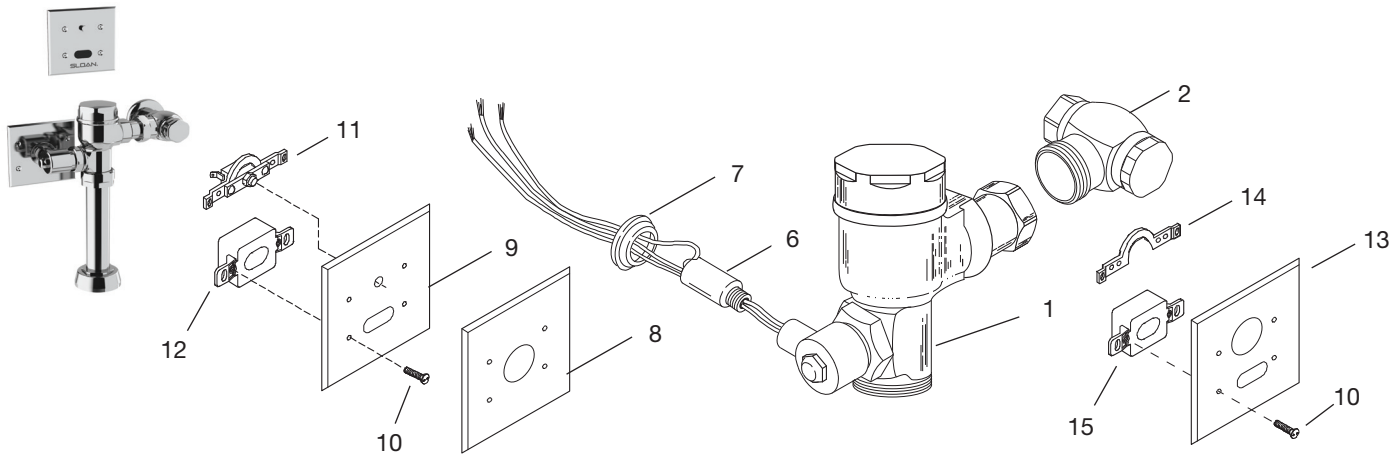
Item No.	Code No.	Part No.	Description
1A.	<b>3305107</b>	EL-635-A	CP Cover Plate with Sensor (Mounting Screws included) (Model 152)
1B.	<b>3305101</b>	EL-645-A	CP Cover Plate with Sensor (Mounting Screws included) (Model 195)
2.	‡	—	Valve Assembly
3.	<b>3301093</b>	A-1013-A	Concealed Valve Handle Cap RB
4.	<b>0305331</b>	EL-138-2	RB Concealed 24V Solenoid Assembly
4A.	<b>3305043</b>	EL-128-A	Actuator Cartridge Assembly Only
5.	‡	H-730-A	RB Bak-Chek® Control Stop
6.	<b>3318001</b>	HY-83-A	Actuator Cartridge
7.	<b>3318005</b>	HY-109-A-1	Valve Actuator Assembly
8.	<b>0318093</b>	HY-30	1/4" (6 mm) x 48" (1219 mm) Connecting Tubes
9.	<b>0318117</b>	HY-100-A-1	Metal Push Button Assembly
10.	‡	V-500-AA	1-1/2" (38 mm) Vacuum Breaker Assembly RB (Model 152)
11.	‡	V-500-AA	3/4" (19 mm) Vacuum Breaker Assembly RB (Model 192)
12A.	<b>0306088</b>	F-2-AT	1-1/2" (38 mm) Slip Joint Coupling Assembly RB (Model 152)
12B.	<b>0306054</b>	F-2-AW	3/4" (19 mm) Slip Joint Coupling Assembly RB (Model 192)
13A.	‡	F-110	1-1/4" (32 mm) Outlet Tube with Flange and Scoring (Model 152)
13B.	‡	F-100	1-1/2" (38 mm) Outlet Tube with Flange and Scoring (Model 152)
14A.	<b>0306059</b>	F-2-AU	1-1/4" (32 mm) Slip Joint Coupling Assembly RB (Model 152)
14B.	<b>0306088</b>	F-2-AT	1-1/2" (38 mm) Slip Joint Coupling Assembly RB (Model 152)
15.	<b>0306091</b>	F-2-A	1-1/2" (38 mm) Coupling with S-21 Gasket (Model 152)
16.	<b>0206146PK</b>	F-21	1-1/2" (38 mm) Double Male Slip Joint Elbow
17.	‡	F-15-A	ELL with 3/4" (19 mm) Tail
18.	<b>0306054</b>	F-2-AW	3/4" (19 mm) Slip Joint Coupling
18A.	<b>SEE SLIP JOINT GASKETS AND RINGS TABLE BELOW</b>		
19.	<b>0305190</b>	EL-190-A	Handle Adapter Assembly
20.	<b>3345020</b>	EL-1033-A	ESS to TMO Retrofit Kit (Concealed)*
	<b>3388015</b>	H-1015-A	Flow Control Kit (HEU Only) (not Shown)

‡ Part number varies with valve model variation; consult factory.  
\* Not Shown

### ITEM 18A. SLIP JOINT GASKETS AND RINGS

Size	Code No.	Part No.	Description
1-1/2"	<b>5306058</b>	F-3	Red Friction Ring
	<b>5322001</b>	VBF-5	Black Slip Joint Gasket
	<b>0319086/5319086</b>	S-30	Flexible Seat
	<b>0319079</b>	S-21	Rigid Seat (rubber over brass)
1-1/2" x 1-1/4"	<b>0396062</b>	F-105	Slip Joint Gasket – Rigid
1-1/4"	<b>5306057</b>	F-3	Red Friction Ring
	<b>5322176</b>	VBF-5	Black Slip Joint Gasket
	<b>0307052/5307052</b>	G-21	Rigid Seat (rubber over brass)
1"	<b>5306056</b>	F-3	Red Friction Ring
	<b>5306115</b>	F-5	Black Slip Joint Gasket
3/4"	<b>5306055</b>	F-3	Red Friction Ring
	<b>5306113</b>	F-5	Black Slip Joint Gasket

# Optima® CROWN® ES-S Exposed Flushometer



Item No.	Part No.	Description
1.	†	Solenoid Operated Valve Assembly
2.	H-700-A	Bak-Chek® Control Stop
3A.V-600-AA		1-1/2" (38 mm) x 9" (229 mm) Vacuum Breaker Assembly CP (Model 111)‡
V-600-AA		1-1/2" (38 mm) x 21" (533 mm) Vacuum Breaker
V-600-AA		Assembly CP (Model 115)‡
V-600-AA		1-1/2" (38 mm) x 24" (610 mm) Vacuum Breaker
3B.V-600-AA		Assembly CP (Model 116)‡
3C.V-600-AA		1-1/4" (32 mm) x 9" (229 mm) Vacuum Breaker Assembly (Model 180)‡
3C.V-600-AA		3/4" (19 mm) x 9" (229 mm) Vacuum Breaker Assembly CP (Model 186)‡
3D.	V-600-A	1-1/2" (38 mm) Vacuum Breaker Assembly (Model 120)‡
4.	F-109	1-1/2" (38 mm) Elbow Flush Connection (Model 120)
5A.CR-1010-A		1-1/2" (38 mm) Spud Coupling Kit (Models 111, 115, 116 and 120)
5B.CR-1009-A		1-1/4" (32 mm) Spud Coupling Assembly (Model 180 ES-S)
5C.CR-1008-A		3/4" (19 mm) Spud Coupling Assembly (Model 186)
6.	EL-163-A	Nipple Assembly
7.	EL-431-A	Flange Assembly
8.	HY-66	Cover Plate (Closet)
9.	EL-201	Cover Plate (Closet)

Item No.	Part No.	Description
10.	EL-152	Screw (4 Required per Plate)
11.	EL-141-A	Yoke and Override Button Assembly (Closet)
12.	EL-1500-L	Sensor (Closet)
13.	EL-151	Cover Plate (Urinal)
14.	EL-168-A	Yoke Assembly (Urinal)
15.	EL-1500	Sensor (Urinal)

† Part number varies with valve model variation; consult factory.  
‡ If valve was specified less vacuum breaker (XYV Variation), a straight flush tube is supplied in place of the vacuum breaker assembly. Consult factory for part number.

**Piston Repair Kits**  
Part number varies with valve model variation; consult factory  
**Installation Templates:**  
For Model 111 ES-S: Code #0816157  
For Models 180/186 ES-S: Code # 0816156

## Optima® CROWN® ES-S Exposed Flushometer

### TROUBLESHOOTING GUIDE

1. **PROBLEM:** Valve does not function — red light DOES NOT flash when user steps in front of sensor.
    - CAUSE:**
      - a. No power to sensor.
      - b. EL-1500 or EL-1500-L sensor not operating.
    - SOLUTION:**
      - a. Make certain that power is on. Check transformer, leads & connections. Repair or replace as necessary.
      - b. Replace EL-1500 or EL-1500-L sensor.
  
  2. **PROBLEM:** Valve does not function — red light flashes when user steps in front of sensor.
 

Under normal operation, the red light should flash slowly for the first (8) eight seconds of user detection. Light should then flash rapidly which indicates that the sensor is armed & ready to flush the fixture when user leaves the field of view.

**If red light stops flashing when user steps away & valve makes a “clicking” sound but DOES NOT flush:**

    - CAUSE:**
      - a. Control stop or main valve is closed.
      - b. Relief valve is worn and sticking in UP position.
      - c. EL-128-A cartridge is fouled or jammed.
    - SOLUTION:**
      - a. Open control stop or main valve.
      - b. Replace piston.
      - c. Turn off power to valve. Remove solenoid operator from valve & remove EL-128-A cartridge. Clean and/or replace as necessary.

**If red light stops flashing when user steps away & valve does not make a “clicking” sound & DOES NOT flush:**

    - CAUSE:** EL-163-A solenoid shaft assembly is fouled or jammed.
    - SOLUTION:** Turn off power to valve. Remove coil from solenoid operator.

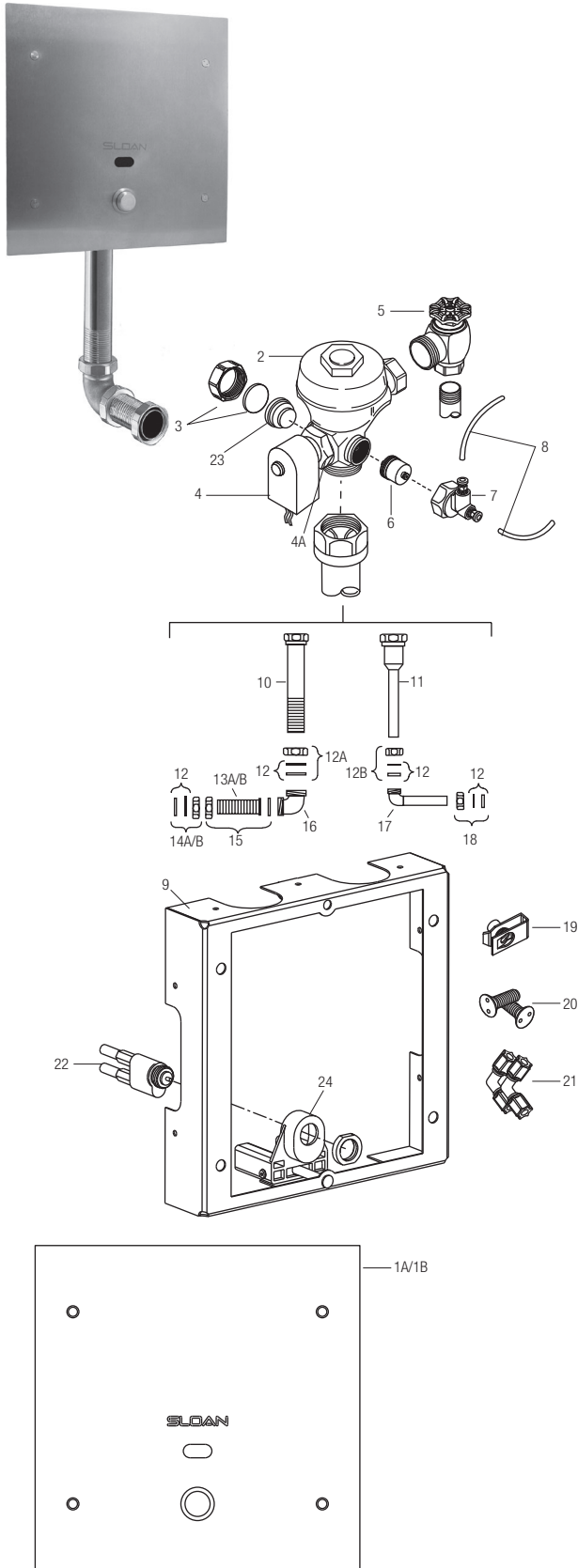
Using a spanner wrench or pliers, remove EL-163-A solenoid shaft assembly from valve. Clean and/or replace as necessary.

**If red light is flashing (3) short flashes, (3) long flashes then (3) short flashes (S-0-S) and continues to repeat this cycle even when the user steps away from the valve:**

    - CAUSE:**
      - a. EL-1500 or EL-1500-L sensor is wired incorrectly.
      - b. Wiring to sensor is ground shorted.
      - c. EL-165-2 solenoid coil burned out or coil is off solenoid plunger shaft.
    - SOLUTION:**
      - a. Rewire sensor and valve properly.
      - b. Find short in wiring and correct.
      - c. Reinstall or replace coil as necessary.
  
  3. **PROBLEM:** Insufficient volume of water to adequately siphon fixture.
    - CAUSE:**
      - a. Control stop not open enough.
      - b. Urinal piston parts inside a closet valve.
      - c. Low consumption valve installed on a non-low consumption fixture.
      - d. Inadequate volume or pressure at supply.
    - SOLUTION:**
      - a. Adjust control stop for desired delivery of water.
      - b. Replace piston parts with proper closet piston.
      - c. Replace with proper flushometer. Crown & Crown II flushometers are not available with flush volume higher than 1.6 gpf/6.0 Lpf.
      - d. Increase water pressure or supply (flow) to valve.
- IMPORTANT - LAWS AND REGULATIONS PROHIBIT THE USE OF HIGHER FLUSHING VOLUMES THAN LISTED ON FIXTURE OR FLUSHOMETER.**
4. **PROBLEM:** Length of flush too short (short flushing) or valve closes off immediately.
    - CAUSE:**
      - a. Piston assembly is not hand-tight.
      - b. Enlarged bypass orifice from corrosion or damage.
      - c. Urinal piston in closet flushometer.
      - d. Low consumption valve installed on a non-low consumption fixture.
    - SOLUTION:**
      - a. Screw the assembly hand-tight.
      - b. Install NEW piston assembly to correct problem & update flushometer.
      - c. Replace piston with proper closet piston.
      - d. Replace with proper flushometer. Crown & Crown II flushometers are not available with flush volume higher than 1.6 gpf/6.0 Lpf.
  
  5. **PROBLEM:** Length of flush too long (long flushing) or fails to close off.
    - CAUSE:**
      - a. Piston is not seating properly or bypass orifice is clogged because of foreign material, or bypass orifice is clogged by an invisible gelatinous film from “over-treated” water.
      - b. Line pressure has dropped & is not sufficient to force relief valve to seat.
      - c. Main seat is fouled with debris or is worn.
    - SOLUTION:**
      - a. Disassemble the working parts and wash thoroughly. **NOTE:** Size of the orifice in the bypass is of utmost importance for the proper metering of water into the upper chamber of the valve. **DO NOT** enlarge or damage this orifice. Replace piston if cleaning does not correct problem.
      - b. Shut off all control stops until pressure has been restored, then open them again.
      - c. Clean or replace Main Seat.
  
  6. **PROBLEM:** Water splashes from fixture.
    - CAUSE:** Supply volume is open more than necessary.
    - SOLUTION:** Adjust control stop to meet flow rate required for proper cleansing of the fixture.

**If further assistance is required, please contact Sloan Technical Support at 1-888-SLOAN-14 (1-888-756-2614).**

# Optima® Royal® ES-S TMO (SWB) Flushometer



## ROYAL® OPTIMA® ES-S TMO WITH SWB PARTS LIST

Item No.	Code No.	Part No.	Description
1A.	—	WB-55-A	Wall Box Cover Plate Assembly (Model 152)
1B.	—	WB-60-A	Wall Box Cover Plate Assembly (Model 195)
2.	‡	—	Valve Assembly
3.	<b>3301093</b>	A-1013-A	Concealed Valve Handle Cap RB
4.	<b>0305331</b>	EL-138-2	RB Concealed 24V Solenoid Assembly
4A.	<b>3305043</b>	EL-128-A	Actuator Cartridge Assembly Only
5.	‡	H-730-A	RB Bak-Chek® Control Stop
6.	<b>3318001</b>	HY-83-A	Actuator Cartridge
7.	<b>3318005</b>	HY-109-A-1	Valve Actuator Assembly
8.	<b>0318117</b>	HY-30	1/4" (6 mm) x 48" (1219 mm) Connecting Tubes
9.	<b>3325215</b>	—	Wall Box Assembly
10.	‡	V-500-AA	1-1/2" (38 mm) Vacuum Breaker Assembly RB (Model 152)
11.	‡	V-500-AA	3/4" (19 mm) Vacuum Breaker Assembly RB (Model 192)
12.	<b>SEE SLIP JOINT GASKETS AND RINGS TABLE BELOW</b>		
12A.	<b>0306088</b>	F-2-AT	1-1/2" (38 mm) Slip Joint Coupling Assembly RB (Model 152)
12B.	<b>0306054</b>	F-2-AW	3/4" (19 mm) Slip Joint Coupling Assembly RB (Model 192)
13A.	‡	F-110	1-1/4" (32 mm) Outlet Tube Flanged and Scored (Model 152)
13B.	‡	F-100	1-1/2" (38 mm) Outlet Tube Flanged and Scored (Model 152)
14A.	<b>0306059</b>	F-2-AU	1-1/4" (32 mm) Slip Joint Coupling Assembly RB (Model 152)
14B.	<b>0306088</b>	F-2-AT	1-1/2" (38 mm) Slip Joint Coupling Assembly RB (Model 152)
15.	<b>0306091</b>	F-2-A	1-1/2" (38 mm) Coupling with S-21 Gasket (Model 152)†
16.	<b>0206146PK</b>	F-21	1-1/2" (38 mm) Double Male Slip Joint Elbow
17.	<b>0306366</b>	F-15-A	ELL with 3/4" (19 mm) Tail (Model 195)†
18.	<b>0306054</b>	F-2-AW	3/4" (19 mm) Slip Joint Coupling
19.	<b>0334017</b>	WB-18	U-Type Nuts (4) 1/4-20
20.	—	WB-49	Tamper Resistant Screws (4) 1/4-20 x 1-1/2
21.	—	HY-126	Elbow Fitting (2)
22.	<b>0318123</b>	HY-71-A	Hydraulic Actuator Assembly
23.	<b>0305190</b>	EL-190-A	Handle Adapter Assembly
	<b>3388015</b>	H-1015-A	Flow Control Kit (HEU Only) (not Shown)
	<b>3334001</b>	WB-1001-A	Override Button Repair Kit (not shown)
	<b>0334033</b>	WB-54-A	Small Wall Box Mntg Hardware Kit
24.	<b>33753009</b>	WB-1002-A	Override Holder Repair Kit

† "L" Dimension available between the lengths of 2" and 10¾"  
‡ Part number varies with valve model variation; consult factory.

## ITEM 12. SLIP JOINT GASKETS AND RINGS

Size	Code No.	Part No.	Description
1-1/2"	<b>5306058</b>	F-3	Red Friction Ring
	<b>5322001</b>	VBF-5	Black Slip Joint Gasket
	<b>0319086/5319086</b>	S-30	Flexible Seat
	<b>0319079</b>	S-21	Rigid Seat (rubber over brass)
1-1/2" x 1-1/4"	<b>0396062</b>	F-105	Slip Joint Gasket – Rigid
1-1/4"	<b>5306057</b>	F-3	Red Friction Ring
	<b>5322176</b>	VBF-5	Black Slip Joint Gasket
	<b>0307052/5307052</b>	G-21	Rigid Seat (rubber over brass)
1"	<b>5306056</b>	F-3	Red Friction Ring
	<b>5306115</b>	F-5	Black Slip Joint Gasket
3/4"	<b>5306055</b>	F-3	Red Friction Ring
	<b>5306113</b>	F-5	Black Slip Joint Gasket

## Optima® Royal® ES-S TMO (SWB) Flushometer

### TROUBLESHOOTING GUIDE

#### Urinals (EL-1500 Sensor)

When the sensor detects a user, a slow flashing red light appears in the sensor window. After eight (8) to ten (10) seconds, the light flashes rapidly to indicate that the sensor is armed. When the sensor no longer detects a user, the sensor immediately activates the solenoid valve after a 0.5 second delay.

#### Water Closets (EL-1500-L Sensor)

Detection and activation are the same as for the urinal EL-1500 sensor (ABOVE) except when the sensor no longer detects an user, the sensor activates the solenoid valve after a three (3) second delay.

The EL-1500 urinal and EL-1500-L closet self-adaptive sensors are equipped with a "Sentinel Flush" feature. These units automatically activate the solenoid every twenty-four (24) hours after the last user.

#### 1. Valve does not function (red light does not flash when user steps in front of sensor).

- No power is being supplied to sensor. Ensure that the main power is turned "ON." Check transformer, leads and connections. Repair or replace as necessary.
- EL-1500-L Sensor is not operating. Replace the EL-1500-L Sensor.

#### 2. Valve does not function (red light flashes when user steps in front of sensor).

**INDICATOR: Red light stops flashing when user steps away and valve makes a "clicking" sound but does not flush.**

- No water is being supplied to the valve. Make certain that the water supply is turned "ON" and the Control Stop is open. No power is being supplied to sensor. Ensure that the main power is turned "ON." Check transformer, leads and connections. Repair or replace as necessary.
- EL-128-A cartridge is fouled or jammed. Turn electronic power to valve "OFF" (failure to do so could result in damage to the solenoid coil. Remove the solenoid operator from the valve and remove the EL-128-A cartridge. Clean and/or repair as necessary.

**INDICATOR: The red light stops flashing when user steps away but the valve does NOT make a "clicking" sound and does NOT flush.**

- EL-163-A solenoid shaft assembly is fouled or jammed. Turn electronic power to valve "OFF" (failure to do so could result in damage to the solenoid coil). Remove EL-101 or EL-166 nut from the solenoid operator. Remove the coil from the solenoid operator. Use a spanner wrench or pliers to remove the EL-163-A solenoid shaft assembly from valve. Clean and/or replace as necessary. Be sure to replace plunger spring when reassembling Solenoid Shaft Assembly.

**INDICATOR: The red light flashes three (3) short flashes, three (3) long flashes then three (3) short flashes ("S-O-S") and continues to repeat this cycle even when user steps out of the sensor's detection range.**

- EL-1500-L Sensor wiring connections are incorrect. Rewire Sensor to valve. One solenoid lead connects to the "TO VALVE" connection on Sensor. One transformer lead connects to the "24 VAC IN" connection on Sensor. Second solenoid lead and second transformer lead connect together.
- Wiring to Sensor is ground shorted. Find short in wiring circuit and correct.
- EL-165-2 solenoid coil is burnt out or coil is not connected to solenoid plunger shaft. Reinstall or replace coil as necessary.

#### 3. Volume of water is insufficient to adequately siphon fixture.

- Control Stop is not open wide enough. Adjust control stop for desired water delivery.
- Low Consumption unit is installed on Water Saver or Conventional fixture. Replace Diaphragm component parts of valve with kit that corresponds to appropriate flush volume of fixture.
- Inadequate water volume or pressure available from supply. Increase pressure or supply (flow rate) to the valve. Consult factory for assistance.

#### 4. Length of flush is too long (long flushing) or valve fails to shut off.

- Water Saver valve is installed on Low Consumption fixture. Replace Diaphragm component parts of valve with kit that corresponds to appropriate flush volume of fixture.
- Relief valve in diaphragm is not seated properly or bypass hole in diaphragm is clogged. Disassemble inside Diaphragm component parts and wash parts thoroughly. Replace worn parts if necessary.

#### 5. Water splashes from fixture.

- Supply flow rate is more than necessary. Adjust Control Stop to meet flow rate required for proper cleansing of the fixture.

#### 6. Leakage occurring at the Push Button (Concealed models only).

- Damaged or worn seals or lime build up in the actuator cartridge. Replace with new HY-32-A cartridge.

#### 7. The flushometer does not flush or flushes only once and will not flush a second time when the button is pushed (Concealed models only).

- The plunger is lodged in the actuator cartridge or the plunger by-pass hole is clogged. Remove the actuator housing and cartridge from the flushometer. Clean under running water. If cartridge parts are worn, deteriorated or limed up and problem persists after cleaning, replace with new HY-83-A cartridge.
  - Turn off water at the control stop.
  - Unscrew the housing coupling nut from the flushometer.
  - Remove the actuator housing from the flushometer. The tubing connections can be left intact.
  - Remove the actuator cartridge from the flushometer body. Care should be taken so that upon removal the actuator does not abruptly separate due to spring compression within. If the actuator cartridge is lodged in the body cavity, grip the exposed portion gently with a pair of channel lock pliers and rotate back and forth to loosen the "O" ring seal.
  - Separate the actuator housing to reveal the spring and plunger.
- Plastic Tubing Installed Incorrectly. Install Plastic Tubing Correctly.

#### 8. The flushometer does not flush and a small amount of leakage is visible below the valve (Concealed models only).

- Foreign material lodged in the cartridge. Remove the cartridge and inspect for foreign material. Clean under running water.
- Damaged or worn seals or lime build up in the actuator cartridge. Replace with new HY-32-A cartridge.
  - Remove the button or actuator assembly from the wall or fixture.
  - Disassemble the flange or button assembly from the actuator body.
  - Unscrew the cartridge from the actuator body. Note: The metal push button was designed to be vandal-proof and thus requires removal from the wall for servicing.
- Plastic Tubing installed incorrectly. Install Plastic Tubing Correctly.

### CARE AND CLEANING INSTRUCTIONS

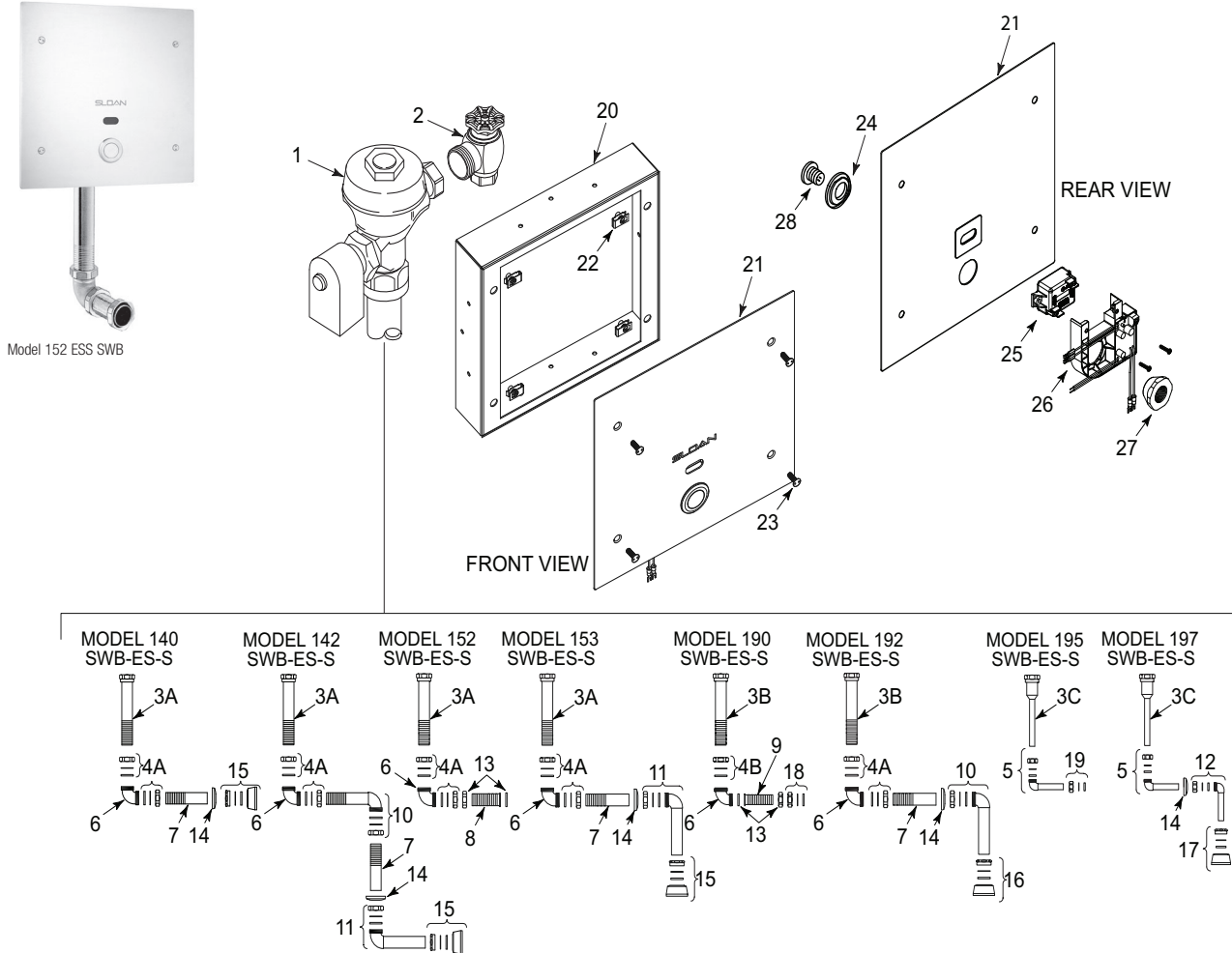
**DO NOT USE** abrasive or chemical cleaners to clean flushometers or sensor that may dull the luster and attack the chrome or special decorative finishes. Use **ONLY** mild soap and water, then wipe dry with a clean towel or cloth.

When cleaning the bathroom tile, protect the flushometer from any splattering of cleaner. Acids and cleaning fluids can discolor or remove chrome plating.

**When assistance is required, please contact  
Sloan Technical Support at: 1-888-SLOAN-14 (1-888-756-2614).**



# Optima® Royal® ES-S SWB Flushometer



Item No.	Part No.	Description	Item No.	Part No.	Description
1.	‡	Valve Body – Solenoid Operated	19.	F-2-AW	3/4" (19 mm) Slip Joint Coupling RB
2.	H-730-A	Bak-Chek® Control Stop	20.	WB-3	Wall Box Frame
3A.	V-500-AA	1-1/2" (38 mm) x 11-1/2" (292 mm) Vacuum Breaker Assembly RB (Models 140 ES-S & 152 ES-S)	21.	WB-47	Access Panel
	V-500-AA	1-1/2" (38 mm) x 6" (152 mm) Vacuum Breaker Assembly RB (Model 142 ES-S)	22.	WB-18	U-Type Nuts (4)
	V-500-AA	1-1/2" (38 mm) x 7-1/2" (191 mm) Vacuum Breaker Assembly RB (Model 153 ES-S)	23.	WB-49	Tamper Resistant Screws (4)
3B.	V-500-AA	1-1/2" (32 mm) x 11-1/2" (292 mm) Vacuum Breaker Assembly RB (Models 190 ES-S & 192 ES-S)	24.	WB-52	Bezel
3C.	V-500-AA	3/4" (19 mm) x 10-1/2" (267 mm) Vacuum Breaker Assembly RB (Models 195 ES-S & 197 ES-S)	25.	EL-1500-L	Sensor (Water Closet)
4A.	F-2-AA	1-1/2" (38 mm) Slip Joint Coupling RB (Set of Two)		EL-1500	Sensor (Urinal)
4B.	F-2-A	1-1/2" (38 mm) Slip Joint Coupling RB	26.	EL-630-A	Sensor Retainer and Circuit Board Assembly
5.	F-15-A	ELL with 3/4" (19 mm) Tail RB (Models 195 ES-S & 197 ES-S)	27.	WB-53	Back Nut
6.	F-21	1-1/2" (38 mm) Double Slip Elbow	28.	EL-438	Override Button
7.	F-102	1-1/2" (38 mm) Outlet Tube CP†			
8.	F-100	1-1/2" (38 mm) Outlet Tube RB†			
9.	F-110	1-1/4" (32 mm) Outlet Tube RB†			
10.	F-25-A	1-1/4" (32 mm) Elbow Assembly†			
11.	F-25-A	1-1/2" (38 mm) Elbow Assembly CP (Model 153 ES-S)			
12.	F-15-A	ELL with 3/4" (19 mm) Tail CP (Model 197 ES-S)			
13.	F-2-A	1-1/2" (38 mm) Coupling with S-21 Gasket			
14.	F-7	Flange			
15.	F-5-A	1-1/2" (38 mm) Spud Coupling Assembly CP			
16.	F-5-A	1-1/4" (32 mm) Spud Coupling Assembly CP			
17.	F-5-A	3/4" (19 mm) Spud Coupling Assembly CP			
18.	F-2-A-U	1-1/4" (32 mm) Slip Joint Coupling RB			

† "L Dimension" only available between 2" & 10 3/4"  
‡ Part number varies with valve model variation; consult factory.

NOTE: The information contained in this document is subject to change without notice.



## Optima® Royal® ES-S SWB Flushometer

NOTE: Upon detection of the user, the red indicator light flashes slowly for a period of eight seconds. When the user leaves the detection range, the indicator light flashes rapidly and the Sensor initiates the flush sequence. Then the indicator light stops flashing and the valve flushes. The valve will flush after a three-second delay.

**1. PROBLEM: Valve does not function (red light does not flash when user steps in front of sensor).**

CAUSE: No power is being supplied to sensor.

SOLUTION: Ensure that the main power is turned "ON."

Check transformer, leads and connections.  
Repair or replace as necessary.

CAUSE: EL-1500 (Urinal installations) or EL-1500-L (Closet installations) Sensor is not operating.

SOLUTION: Replace EL-1500 or EL-1500-L Sensor.

**2. PROBLEM: Valve does not function (red light flashes when user steps in front of Sensor).**

INDICATOR: Red light stops flashing when user steps away and valve makes a "clicking" sound but does not flush.

CAUSE: No water is being supplied to the valve.

SOLUTION: Make certain that water supply is turned "ON" and the Control Stop is open.

CAUSE: EL-128-A cartridge is fouled or jammed.

SOLUTION: Turn electronic power to valve "OFF" (failure to do so could result in damage to the solenoid coil). Remove the solenoid operator from the valve and remove the EL-128-A cartridge. Clean and/or repair as necessary.

INDICATOR: The red light stops flashing when user steps away but the valve does NOT make a "clicking" sound and does NOT flush.

CAUSE: EL-163-A solenoid shaft assembly is fouled or jammed.

SOLUTION: Turn electronic power to valve "OFF" (failure to do so could result in damage to the solenoid coil). Remove EL-101 or EL-166 nut from the solenoid operator. Remove the coil from the solenoid operator. Use a spanner wrench or pliers to remove the EL-163-A solenoid shaft assembly from valve. Clean and/or replace as necessary. Be sure to replace plunger spring when reassembling Solenoid Shaft Assembly.

INDICATOR: The red light flashes three (3) short flashes, three (3) long flashes then three (3) short flashes ("S-O-S") and continues to repeat this cycle even when user steps out of the sensor's detection range.

CAUSE: Sensor wiring connections are incorrect.

SOLUTION: Refer to Step 10 of this Installation Instructions for proper wiring.

CAUSE: Wiring to Sensor is ground shorted.

SOLUTION: Find short in wiring circuit and correct.

CAUSE: EL-165-2 solenoid coil is burnt out or coil is not connected to solenoid plunger shaft.

SOLUTION: Reinstall or replace coil as necessary.

**3. PROBLEM: Volume of water is insufficient to adequately siphon fixture.**

CAUSE: Control Stop is not open wide enough.

SOLUTION: Adjust control stop for desired water delivery.

CAUSE: Low Consumption unit is installed on Water Saver or Conventional fixture.

SOLUTION: Replace Diaphragm component parts of valve with kit that corresponds to appropriate flush volume of fixture.

CAUSE: Inadequate water volume or pressure available from supply.

SOLUTION: Increase pressure or supply (flow rate) to the valve. Consult factory for assistance.

**4. PROBLEM: Length of flush is too long (long flushing) or valve fails to shut off.**

CAUSE: Water Saver valve is installed on Low Consumption fixture.

SOLUTION: Replace Diaphragm component parts of valve with kit that corresponds to appropriate flush volume of fixture.

CAUSE: Relief valve in diaphragm is not seated properly or bypass hole in diaphragm is clogged.

SOLUTION: Disassemble inside Diaphragm component parts and wash parts thoroughly. Replace worn parts if necessary.

**5. PROBLEM: Water splashes from fixture.**

CAUSE: Supply flow rate is more than necessary.

SOLUTION: Adjust Control Stop to meet flow rate required for proper cleansing of the fixture.

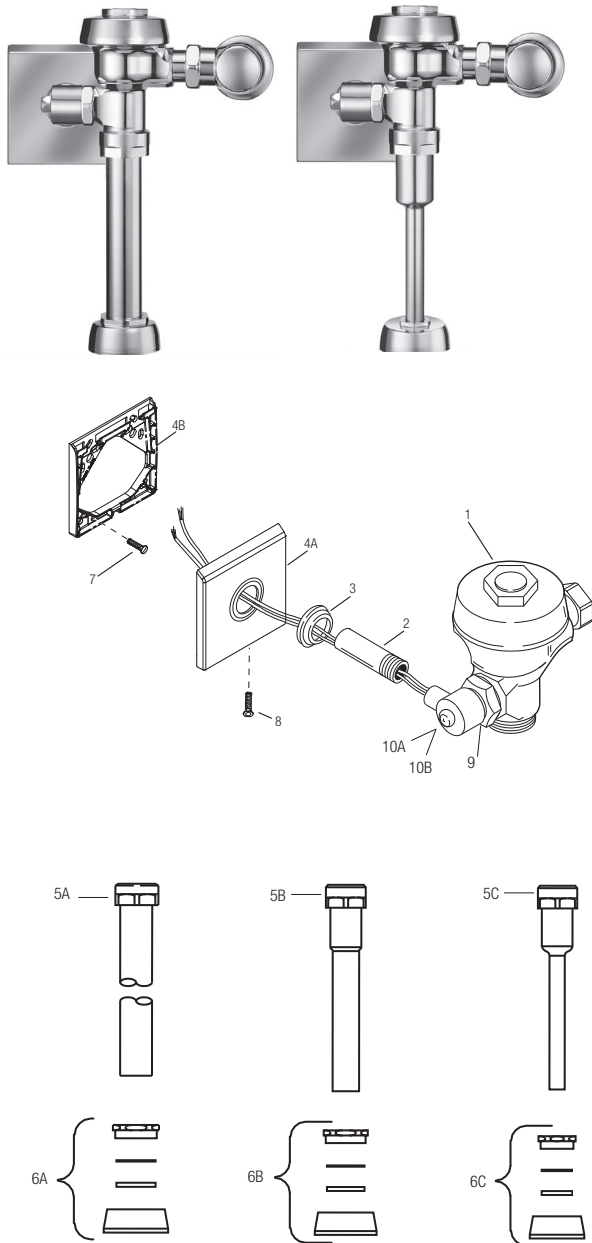
If further assistance is required, please contact Sloan Installation Engineering Department at:

1-888-SLOAN-14 (1-888-756-2614).

**!!! IMPORTANT — Control Stop Setting !!!**

Never open Control Stop to where the flow from the valve exceeds the flow capability of the fixture. In the event of a valve failure, the fixture must be able to accommodate a continuous flow from the valve.

# Optima® Royal® ES 24V/120V Exposed Flushometer



## ROYAL® OPTIMA® ES 24/120V EXPOSED FLUSHOMETER PARTS LIST

Item No.	Code No.	Part No.	Description
1.	‡		Solenoid Activated Valve Assembly
2.	<b>0306249PK</b>	F-15	Tail Assembly
3.	<b>0345150</b>	EL-431-A	Flange Assembly
4A.	<b>3305105</b>	EL-625-A	Cover Plate w/Mounting Hardwar (Closet only) (Includes EL-549 Mounting Plastic plate)
4B.	<b>0305251PK</b>	EL-549	Exposed Closet Mounting Plate
5A.	—	V-600-AA	1-1/2" (38 mm) Vacuum Breaker Assembly CP (Models 110/111, 115, and 116)
5B.	—	V-600-AA	1-1/4" (32 mm) x 9" (229 mm) Vacuum Breaker Assembly CP (Model 180 ES-S)
5C.	—	V-600-AA	3/4" (19 mm) x 9" (229 mm) Vacuum Breaker Assembly CP (Model 186 ES-S)
6A.	<b>0306146</b>	F-5-AT	1-1/2" (38 mm) Spud Coupling Assembly CP (Models 110/111, 115, and 116)
6B.	<b>0306140</b>	F-5-AU	1-1/4" (32 mm) Spud Coupling Assembly CP (Model 180)
6C.	<b>0306125</b>	F-5-AW	3/4" (19 mm) Spud Coupling Assembly CP (Model 186)
6D.	<b>SEE SLIP JOINT GASKETS AND RINGS ON TABLE BELOW</b>		
7.	‡		Screws (Flat Head Slotted #6/32)
8.	<b>5305100</b>	EL-674	Wall Plate Screw Kit (#6/32 x 15.87 mm) (6 per kit)
9.	<b>3305043</b>	EL-128-A	Actuator Cartridge
10A.	<b>0305329</b>	EL-124-2	CP 24V Solenoid Assembly Only
10B.	<b>0305328</b>	EL-124-1	CP 120V Solenoid Assembly Only
	<b>3305045</b>	EL-1028-A	Solenoid Assembly (24V) w/ Cartridge Assembly
	<b>3305044</b>	EL-1029-A	Solenoid Assembly (120V) w/ Cartridge Assembly
12.	<b>3325814</b>	EBV-1017-A	CP Valve Handle Cap
14.	<b>3302306</b>	B-51-A	Triple Seal Handle Repair Kit
15.	<b>3345080</b>	EL-126-A	ESS to TMO Retrofit Conversion Kit (Exposed*)
*	<b>3388015</b>	H-1015-A	Flow Control Kit (HEU Only) (not Shown)
*	<b>0305163</b>	EL-172-A	Electric Push Button Assembly (Optional)

‡ Part number varies with valve model variation; consult factory.

\* Not shown

### ITEM 6D. SLIP JOINT GASKETS AND RINGS

Size	Code No.	Part No.	Description
1-1/2"	<b>5306058</b>	F-3	Red Friction Ring
	<b>5322001</b>	VBF-5	Black Slip Joint Gasket
	<b>0319086/5319086</b>	S-30	Flexible Seat
	<b>0319079</b>	S-21	Rigid Seat (rubber over brass)
1-1/2" x 1-1/4"	<b>0396062</b>	F-105	Slip Joint Gasket – Rigid
1-1/4"	<b>5306057</b>	F-3	Red Friction Ring
	<b>5322176</b>	VBF-5	Black Slip Joint Gasket
	<b>0307052/5307052</b>	G-21	Rigid Seat (rubber over brass)
1"	<b>5306056</b>	F-3	Red Friction Ring
	<b>5306115</b>	F-5	Black Slip Joint Gasket
3/4"	<b>5306055</b>	F-3	Red Friction Ring
	<b>5306113</b>	F-5	Black Slip Joint Gasket

Solenoid Activated Royal® Model Flushometer for floor mounted or wall hung fixtures. Model "ES" Flushometers are activated remotely by an electric push button (not included). Royal "ES" Flushometers offer solutions for installations that require automatic, remote or other Flushometer control requirements.

## SMOOTH® Hardwired Flushometer Side-Mount-Operator-Over-The-Handle

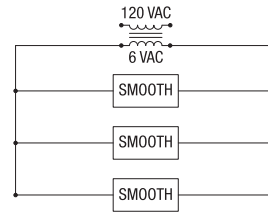
AC powered, sensor activated retrofit unit for exposed closet and urinal flushometers.

### PARTS LIST

Item No.	Code No.	Part No.	Description
1.	3305201	EL-600-A	Side Mount Operator for Water Closets (Toilets) and Urinals
2.	3345085	EL-612-A	Wall Flange Hardware Mounting Kit

### ACCESSORY TRANSFORMERS

—	0345095	EL-386	120 VAC/6 VAC, 50/60 Hz (3 VA) Plug-in (will operate 1 unit)
—	0345125	EL-451	120 VAC/6 VAC, 50/60 Hz (25 VA) Box Mount (will operate up to 8 units)



One EL-386 Transformer serves one (1) OPTIMA® Closet/Urinal flushometer.  
One EL-451 Transformer serves up to eight (8) OPTIMA® Closet/Urinal flushometers.

### ADJUSTMENT PROCEDURES

#### Mode A

The SMOOTH unit may be reset to normal range by fully pressing and holding in the Override Handle until the Red LED light in the Sensor Window illuminates. Then immediately release the Override Handle.

#### Mode B

The SMOOTH unit may be set to reduced range for closet applications by pressing and holding in the Override Handle until the Red LED light in the Sensor Window flashes a slow long blinking light. Then immediately release the Override Handle.

#### Mode C (Urinal Only)

The SMOOTH unit may be set to reduced range by pressing and holding in the Override Handle until the Red LED light in the Sensor Window displays a rapid on and off blinking light. Then immediately release the Override Handle.

### CARE AND CLEANING OF CHROME AND SPECIAL FINISHES

**DO NOT USE** abrasive or chemical cleaners to clean flushometers as they may dull the luster and attack the chrome or special decorative finishes. Use **ONLY** mild soap and water, then wipe dry with clean cloth or towel.

While cleaning the bathroom tile, the flushometer should be protected from any splattering of cleaner. Acids and cleaning fluids can discolor or remove chrome plating.

**When assistance is required, please contact  
Sloan Technical Support at: 1-888-SLOAN-14 (1-888-756-2614).**

## EL-750/EL-700 Hardwired Flushometers

**EL-750/Hardwired**  
Dual-flush Side Mount

**EL-700/Hardwired**  
Single-flush Side Mount



Hardwired, sensor-activated, retrofit unit for exposed, dual-flush and single-flush closet and single-flush urinal.

**VAC Power Requirement:** Transformer 6 VAC 0.5 mA per unit

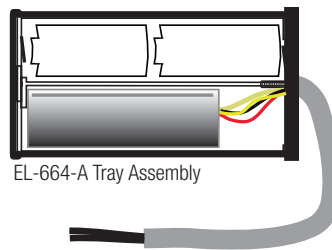
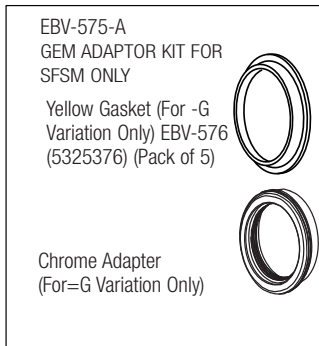
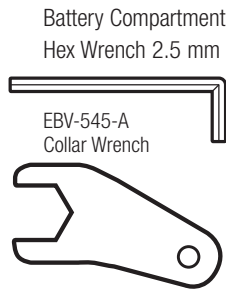
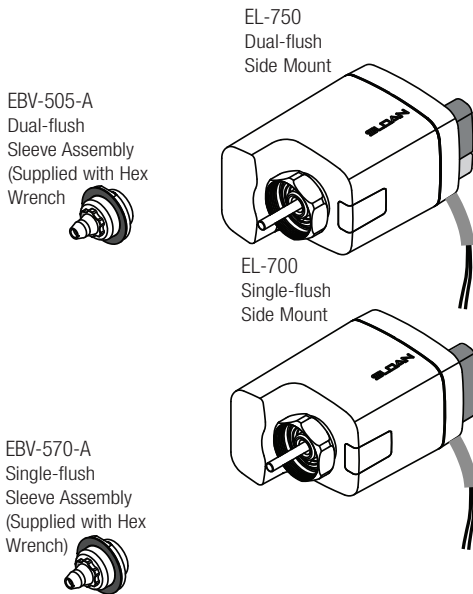
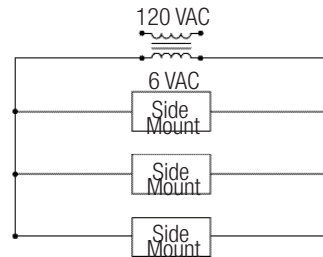
Sloan Transformers:

EL-386 – 120 VAC/ 6 VAC Plug-in Transformers

EL-451 – 120 VAC/6 VAC 25 VA Box Style Transformers

**NOTE:** One (1) Hardwire Flushometer per each EL-386 Transformer and six (6) Hardwire Flushometers per each EL-451 Transformer

### Wiring Diagram



## EL-750/EL-700 Hardwired Flushometers

### TROUBLESHOOTING GUIDE

#### 1. RED LED continuously flashes when target is present.

The battery is low. Refer to battery replacement instructions.

#### 2. RED LED flashes 4 times after a target has been present for 8 seconds. RED LED flashes once when a target is NOT present.

The battery is low. Refer to battery replacement instructions.

#### 3. RED LED flashes continuously after calibration.

The unit has failed to calibrate. The optics window is obscured. Remove power, clean window and remove any objects (barrels, toolboxes, etc.) within close proximity of unit. Repeat power-up sequence (See BATTERY REPLACEMENT for power-up sequence). If unit fails, consult Sloan Technical Support.

### CARE AND CLEANING OF CHROME AND SPECIAL FINISHES

**DO NOT USE** abrasive or chemical cleaners (including chlorine bleach) to clean side mount unit or flushometer that may dull the luster and attack the finish. Use **ONLY** mild soap and water, then wipe dry with clean cloth or towel.

While cleaning the bathroom tile, protect the side mount unit from any splattering of cleaner. Acids and cleaning fluids can discolor or remove chrome plating.

**DO NOT USE** abrasive or chemical cleaners (including chlorine bleach) to clean sensor window that may distort or ruin the sensor.

**When assistance is required, please contact Sloan Technical Support at: 1-888-SLOAN-14 (1-888-756-2614).**

### TRANSFORMER START-UP ACTIVATION

Turn on transformer power and wait for 10 seconds. Remove sticker from sensor window. The Side Mount unit will “wake up” when sticker is removed from sensor window. Please ensure this is the last step in the installation process and unless the target is a permanent fixture in the sensor’s environment (i.e. a wall or stall door) it must be removed from the view of the sensor. There is a three minute delay to calibration to allow the installer to clear from the view of the sensor. The Side Mount unit calibrates to the surrounding environment once sticker is removed (with three minute delay to allow installer to clear from the view of the sensor). Remove all non-permanent articles and step away from the sensor view until the one (1) flush activation verifies calibration is complete. The unit will exhibit an LED flash pattern as follows:

- GREEN and RED LED flash once, GREEN LED flashes 5 times
- 150 seconds of slow GREEN double flashes
- 10 seconds of fast GREEN double flashes
- 12-15 seconds of fast GREEN flashes (calibration)
- 3 slow GREEN LED flashes indicates calibration is done
- Normal Operation with one flush activation

After power off, re-power up will need three (3) minute delay to allow installer to clear from the view of the sensor.

# SLOAN ECOS® Hardwired Flushometer

## PARTS LIST

Item No.	Code No.	Part No.	Description
----------	----------	----------	-------------

### Items Included with the RESS Retrofit and Complete Sloan ECOS® Hardwire Valves Only

1A.	<b>0325304</b>	WES-56A	Sloan ECOS® Electronic Hardwire Dual Flush Assembly CP
	<b>0325332</b>	EBV-332A	Sloan ECOS® Electronic Hardwire 1.28 gpf (4.8 Lpf) Single Flush Assembly
1B.	<b>0325344</b>	EBV-344A	Sloan ECOS® Electronic Single-Flush Assembly Urinal
1C.	<b>0325402</b>	EBV-393-A	Sloan ECOS® Electronic Single-Flush Assembly Urinal 0.125 gpf
2A.	<b>3325001</b>	EBV-1020-A	1.6 gpf/6.0 Lpf Closet Flex Tube Diaphragm Kit
2B.			See Chart Below
3.	<b>5325122</b>	EBV-95	Flush Volume Regulator (Green)
4.	—	EL-612-A	Solenoid Wall Flange
5.	<b>0325159</b>	EBV-137	7/64" Hex Wrench
6.	<b>0305823</b>	EBV-22	Strap Wrench
7.	<b>0325194</b>	EBV-91	Range Adjustment Tool
8.	<b>0372031</b>	WES-19	English Operation Instruction Plate
	<b>0372040</b>	WES-22	Spanish Operation Instruction Plate
9.	<b>3325814</b>	EBV-1017-A	Handle Cap (RESS-C Retrofit Models only)

### Items Included with the Complete Sloan ECOS® Hardwire Valves Only

10.	<b>3308386</b>	H-700-A	1" (25 mm) Bak-Chek® Control Stop
11.	<b>3308797</b>	H-1010-A	Vandal Resistant Stop Cap
12.	<b>0305381PK</b>	EBV-36-A	Valve Body
13.	<b>3308782</b>	H-633-AA	1" (25 mm) Sweat Solder Kit
14.	<b>3308782</b>	V-600-AA	1½" (38 mm) x 10 ½" (254 mm) Vacuum Breaker (Model 110) (10" Outlet Tube)
	—	V-600-AA	1½" (38 mm) x 23" (584 mm) Vacuum Breaker (Model 115)
	<b>0393049</b>	V-600-AA	1½" (38 mm) x 26" (660 mm) Vacuum Breaker (Model 116)
15.	<b>0306146</b>	F-5-AT	1½" Spud Coupling Assembly (Models 111, 115, and 116)

### 15A. SEE SLIP JOINT GASKETS AND RINGS TABLE BELOW

‡ Part number varies with valve model variation; consult factory. 18" Steel Cable included w/HW units. The EBV-1020-A Kit is supplied with multiple Flush Volume Regulators. The installer must use the correct Regulator when installing the kit.

VAC Power Requirement: Transformer 6 VAC 0.5 mA per unit

Sloan Transformers:

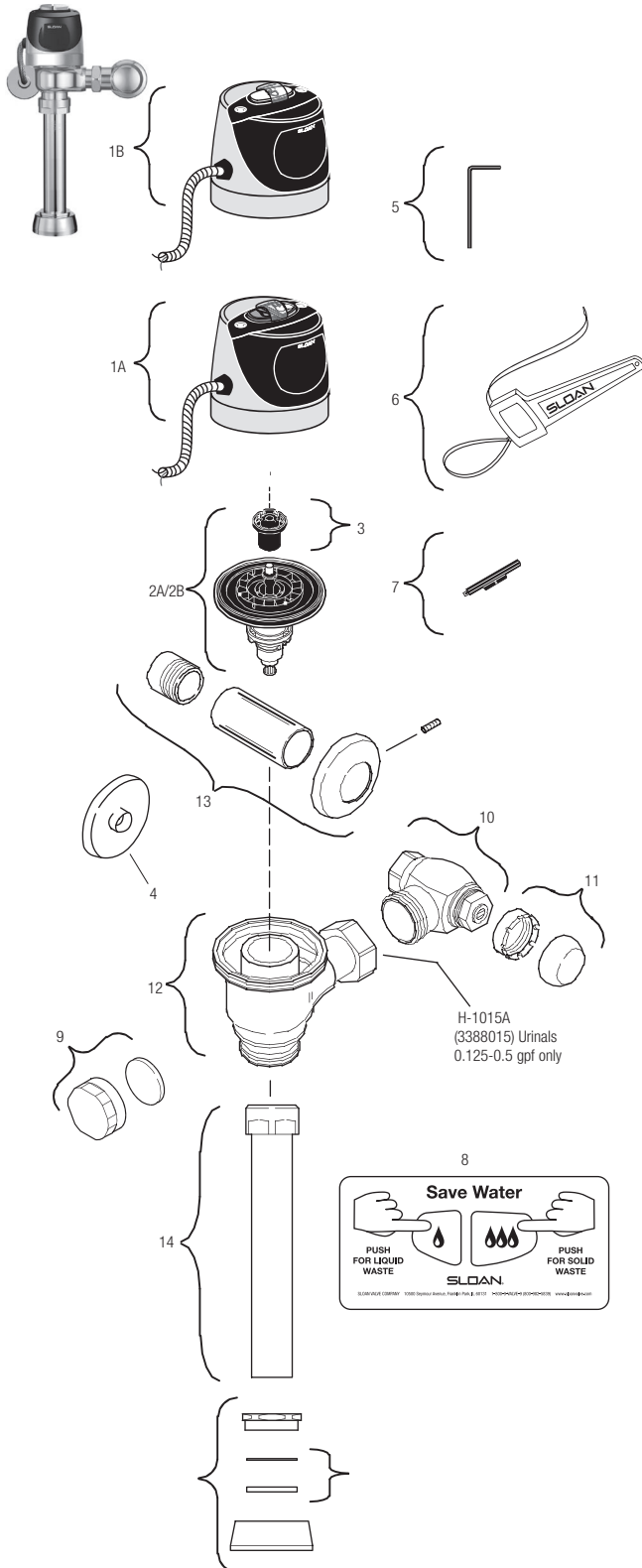
EL-386 – 120 VAC/ 6 VAC Plug-in Transformers (not shown)

EL-451 – 120 VAC/6 VAC 25 VA Box Style Transformers (not shown)

Note: One (1) Sloan ECOS® Hardwire per each EL-386 Transformer and six (6) Sloan ECOS® Hardwire per each EL-451 Transformer. 18 gauge wire required.

### ITEM 15A. SLIP JOINT GASKETS AND RINGS

Size	Code No.	Part No.	Description
1-1/2"	<b>5306058</b>	F-3	Red Friction Ring
	<b>5322001</b>	VBF-5	Black Slip Joint Gasket
	<b>0319086/5319086</b>	S-30	Flexible Seat
	<b>0319079</b>	S-21	Rigid Seat (rubber over brass)
1-1/2" x 1-1/4"	<b>0396062</b>	F-105	Slip Joint Gasket – Rigid
1-1/4"	<b>5306057</b>	F-3	Red Friction Ring
	<b>5322176</b>	VBF-5	Black Slip Joint Gasket
	<b>0307052/5307052</b>	G-21	Rigid Seat (rubber over brass)
1"	<b>5306056</b>	F-3	Red Friction Ring
	<b>5306115</b>	F-5	Black Slip Joint Gasket
3/4"	<b>5306055</b>	F-3	Red Friction Ring
	<b>5306113</b>	F-5	Black Slip Joint Gasket



### URINAL FLEX TUBE DIAPHRAGM ASSEMBLY



<b>3325090</b>	EBV-1024-A	0.125/0.25 gpf
<b>3325003</b>	EBV-1023-A	0.5 gpf

Sloan ECOS® Electronic Valve Models Feature Sloan's Exclusive Flex Tube Diaphragm for the ultimate in valve performance, reliability and chloramine resistance.



## SLOAN ECOS® Hardwired Flushometer

### RANGE ADJUSTMENT (ADJUST ONLY IF NECESSARY)

The Sloan ECOS® Hardwire flushometer has a factory set sensing range:

**Water Closet Models** – 22" (559 mm) to 42" (1067 mm)

**Urinals Models** – 15" (381 mm) to 30" (762 mm)

**The factory setting should be satisfactory for most installations.**

If the range is too short (i.e., not picking up the user) or too long (i.e., picking up opposite wall or stall door) the range can be adjusted.

**NOTE: Water does not have to be turned off to adjust range.**

Loosen the two screws on top of the unit. Remove the override button assembly. Remove the rubber plug from top of electronic sensor module to uncover the potentiometer to adjust.

#### Range Adjustment Procedure

For the first ten (10) minutes of operation, a visible light flashes in the sensing window of the Sloan ECOS® Hardwire flushometer when a user is detected. The visible light feature can be reactivated after ten (10) minutes by turning the power off and on. Check the range by stepping toward the unit until the light flashes, indicating the sensor's maximum detection limit. Adjust the range potentiometer screw located on top of the sensor module a few degrees **CLOCKWISE** to increase the range or a few degrees **COUNTER-CLOCKWISE** to decrease the range. Repeat this adjustment until the desired range is achieved.

**Always determine the sensing range with metal cover and lens window installed on top of the unit.**

**IMPORTANT: Adjust in small increments only! Range potentiometer adjustment screw rotates only 3/4 of a turn; DO NOT over-rotate.**

When range adjustment is satisfactory, replace the rubber plug. Reinstall override button and tighten the two screws on top of the unit.

### TROUBLESHOOTING GUIDE

#### 1. Sensor flashes continuously only when user steps within range.

A. Unit in start-up mode; no problem. This feature is active for the first ten (10) minutes of operation.

#### 2. Valve DOES NOT flush; sensor does not picking up the user.

A. Range too short; increase the range.

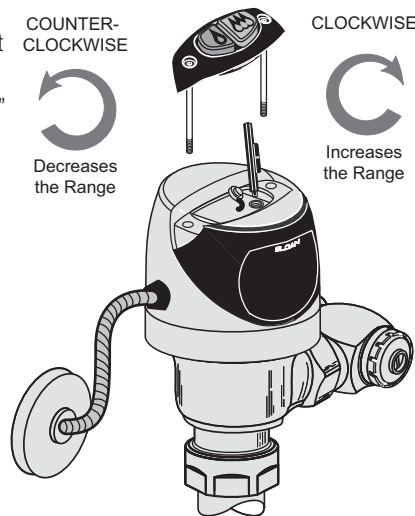
#### 3. Valve DOES NOT flush; sensor picking up opposite wall or surface, or only flushes when someone walks by. Light flashes continuously for first 10 minutes even with no one in front of the sensor.

A. Range too long; shorten the range.

#### 4. Valve DOES NOT flush even after adjustment.

A. Range adjustment potentiometer set at full "max" or full "min" setting. Readjust potentiometer away from full "max" or "min" setting.

B. Electronic sensor module issue; replace the electronic sensor module.



### TROUBLESHOOTING GUIDE (CONTINUED)

#### 5. Valve DOES NOT Shut Off.

A. Bypass orifice in diaphragm is clogged with dirt or debris, or bypass is clogged by an invisible gelatinous film due to "over-treated" water. Remove Flex Tube diaphragm and wash under running water.

**NOTE:** Size of orifice in the bypass is of utmost importance for the proper metering of water by the valve. **DO NOT ENLARGE OR DAMAGE THIS ORIFICE.** Replace Flex Tube diaphragm if cleaning does not correct the problem.

B. Dirt or debris fouling stem or Flex Tube diaphragm. Remove Flex Tube diaphragm and wash under running water.

C. O-ring on stem of Flex Tube diaphragm is damaged or worn. Replace O-ring if necessary.

D. Electronic sensor module issue; replace sensor module.

#### 6. Not enough water to the fixture to flush properly.

A. The wrong flush volume regulator was installed in flex tube diaphragm kit. Install the correct regulator.

B. Wrong Sloan ECOS Hardwire model installed; i.e., 1.6 gpf model installed on 3.5 gallon closet fixture.

C. Enlarged bypass in diaphragm. Replace the Flex Tube diaphragm.

D. Control stop not adjusted properly. Readjust control stop.

E. Inadequate volume or pressure at supply. Increase water pressure or supply (flow) to valve. Consult factory for assistance.

#### 7. Too much water to fixture.

A. The wrong flush volume regulator was installed in Flex Tube diaphragm kit. Install the correct regulator.

B. Control stop not adjusted properly. Readjust the control stop.

C. Wrong Sloan ECOS Hardwire model installed; i.e., 3.5 gpf. model installed on 1.6 gallon fixture. Replace with proper Sloan ECOS Hardwire model.

D. Dirt in diaphragm bypass. Clean under running water or replace Flex Tube diaphragm.

### CARE AND CLEANING INSTRUCTIONS

**DO NOT USE** abrasive or chemical cleaners to clean flushometers that may dull the luster and attack the chrome or special decorative finishes. Use **ONLY** mild soap and water, then wipe dry with a clean towel or cloth.

When cleaning the bathroom tile, protect the flushometer from any splattering of cleaner. Acids and cleaning fluids can discolor or remove chrome plating.

**When assistance is required, please contact**

**Sloan Technical Support at: 1-888-SLOAN-14 (1-888-756-2614).**

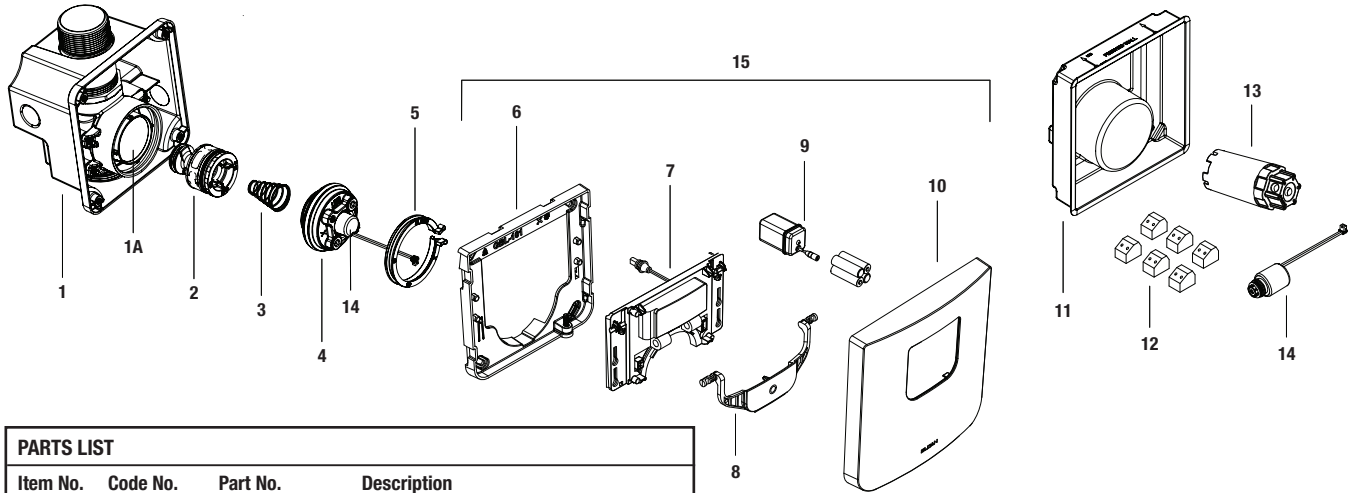
# TruFlush Hardwired/Battery Flushometer

### Sensor Closet Flushometers

- TRF 8156 - 1.6 gpf
- TRF 8156 - 1.28 gpf
- TRF 8156 - 1.1 gpf

### Sensor Urinal Flushometers

- TRF 8196 - 0.5 gpf
- TRF 8196 - 0.25 gpf
- TRF 8196 - 0.125 gpf

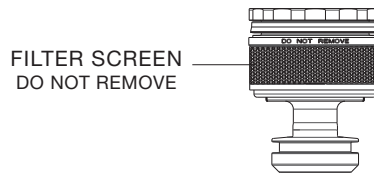


PARTS LIST			
Item No.	Code No.	Part No.	Description
1.	—	—	Valve Assembly with Box
1A.	<b>0340085</b>	GBL-66-A	Shut Off Sleeve (with O-Ring)
2.	<b>See table to the right</b>	—	Piston Assembly
3.	—	—	Conical Spring*
4.	<b>See table on next page</b>	—	Activation Assembly**
5.	<b>3340011</b>	GBL-1011-A	Safety Collar
6.	<b>0340101</b>	GBL-101	TRF Sensor Closet Wall Bracket
7.	—	—	TRF Sensor Assembly Repair Kit
8.	<b>See table on next page</b>	—	Override Button Only
9.	<b>9103681PK</b>	ELG-79	Battery Pack
10.	<b>0340142</b>	GBL-128	TRF Sensor Finished Wall Plate, CP †
11.	<b>33400036</b>	GBL-1036-A	Replacement Kit, Mud Guard Sensor (4 pack)
12.	<b>3340033</b>	GBL-88-A	Terminal Block Repair Kit (6)
13.	<b>3340012</b>	GBL-1012-A	Activation Assembly Tool
14.	<b>See table on next page</b>	—	Solenoid Repair Kit
15.	—	GBL-205-A	Finished Wall Plate and Sensor Assembly† (Includes items 6-10)

\* Included with Piston Assembly. † Consult factory for alternate finishes.  
 \*\* Includes Solenoid Repair Kit #14.

ITEM NO. 2 - SENSOR PISTON ASSEMBLY SELECTION GUIDE			
Code No.	Part No.	Description	Piston Color*
<b>3340024</b>	GBL-1024-A	1.6 gpf/6.0 Lpf Closet Piston Assembly (Washdown)	Orange
<b>3340005</b>	GBL-1005-A	1.6 gpf/6.0 Lpf Closet Piston Assembly	Green
<b>33400082</b>	GBL-1097-A	1.28 gpf/4.8 Lpf Closet Piston Assembly	Blue/Black
<b>33400065</b>	GBL-1090-A	1.1 gpf/4.2 Lpf Closet Piston Assembly	Burgundy/Black
<b>3340007</b>	GBL-1007-A	0.5 gpf/1.9 Lpf Urinal Piston Assembly	Red
<b>3340008</b>	GBL-1008-A	0.25 gpf/1.0 Lpf Urinal Piston Assembly	Burgundy
<b>33400001</b>	—	0.125 gpf/0.48 Lpf Urinal Piston Assembly	Red/Pink

\* Colors may differ. Consult factory to confirm you have the correct Piston Assembly.



TRUFLUSH SENSOR PISTON  
SEE CHART BELOW FOR MORE

### ITEM NO. 2 - SENSOR PISTON IDENTIFICATION CHART

<b>Flush Volume</b>	1.6 gpf WD (India) Water Closet	1.6 gpf Water Closet	1.28 gpf Water Closet	1.1 gpf Water Closet	0.5 gpf Urinal	0.25 gpf Urinal	0.125 gpf Urinal
<b>Piston Body</b>	Orange with Screen	Green with Screen	Light Blue with Screen	Burgundy with Screen	Red with Screen	Burgundy with Screen	Red with Screen
<b>Flow Control</b>	Orange	Green	Black Cage	Black Cage	Red	Burgundy	Pink
<b>Part Number</b>	GBL-1024-A	GBL-1005-A	GBL-1097-A	GBL-1090-A	GBL-1007-A	GBL-1008-A	—
<b>Code Number</b>	<b>3340024</b>	<b>3340005</b>	<b>33400082</b>	<b>33400065</b>	<b>3340007</b>	<b>3340008</b>	<b>33400001</b>

## TruFlush Hardwired/Battery Flushometer

ITEM NO. 4 - SENSOR ACTIVATION ASSEMBLY SELECTION GUIDE			
Code No.	Part No.	Description	Aspirator Retainer Color*
<b>LEGACY STYLE CONNECTION - PRIOR TO DECEMBER 2021</b>			
3340026	GBL-1026-A	1.6 gpf/6.0 Lpf Closet Activation Assembly (Washdown)	Orange
3340000	GBL-1000-A	1.6 gpf/6.0 Lpf Closet Activation Assembly	Green
3340001	GBL-1001-A	1.28 gpf/4.8 Lpf Closet Activation Assembly	Purple
3340002	GBL-1002-A	0.5 gpf/1.9 Lpf Urinal Activation Assembly	Red
3340003	GBL-1003-A	0.25 gpf/1.0 Lpf Urinal Activation Assembly	Burgundy
33400002	—	0.125 gpf/0.48 Lpf Urinal Activation Assembly†	Pink
<b>PIGTAIL STYLE CONNECTION - AFTER DECEMBER 2021</b>			
33400049	GBL-1071-A	1.6 gpf/6.0 Lpf Closet Activation Assembly (Washdown)	Orange
33400048	GBL-1072-A	1.6 gpf/6.0 Lpf Closet Activation Assembly	Green
33400047	GBL-1073-A	1.28 gpf/4.8 Lpf Closet Activation Assembly	Purple
33400066	GBL-1094-A	1.1 gpf/4.2 Lpf Closet Activation Assembly	Grey
33400046	GBL-1074-A	0.5 gpf/1.9 Lpf Urinal Activation Assembly	Red
33400045	GBL-1075-A	0.25 gpf/1.0 Lpf Urinal Activation Assembly	Burgundy
33400055	GBL-1076-A	0.125 gpf/0.48 Lpf Urinal Activation Assembly	Pink

\* Colors may differ. Consult factory to confirm you have the correct Activation Assembly.

† 0.125 gpf/0.48 Lpf Valve Components (Piston, Main Seat, and Activation Assembly) are NOT interchangeable with any other flush volume Valves.

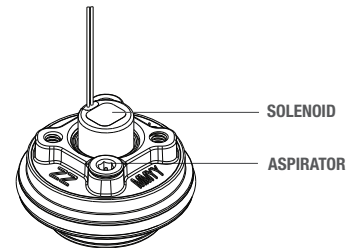
ADDITIONAL PARTS		
Code No.	Part No.	Description
3340022	GBL-1022-A	Sensor TRF Finished Wall Plate and Button Assembly, CP (Items 8 & 10 on previous page).
<p><b>IMPORTANT NOTE FOR 1.1 GPF FLUSHOMETERS &amp; REPLACEMENT KITS</b></p> <p>Sloan 1.1 gpf/4.2 Lpf ultra-high efficiency flushometers meets all applicable standards and requirements. However, with low flush volumes it is imperative that they only be used in conjunction with toilet fixtures and drain line systems designed to operate with adequate flow rates and volumes in order to effectively eliminate waste and move it out of the building. It is the responsibility of the user to ensure both of these conditions are met. Not doing so may void your warranty.</p> <p>Sloan 1.1 gpf diaphragm and piston kits are designed as a replacement part for Sloan 1.1 gpf/4.2 Lpf flushometers only. They are not intended to be used as a means to reduce water consumption in flushometers with higher flush volumes such as 1.28 gpf/4.8 Lpf or 1.6 gpf/6.0 Lpf or higher. Using this kit in any manner other than with a Sloan 1.1 gpf flushometer may void your warranty.</p>		

**NOTE:** After December 2021, the Activation, Sensor, and Solenoid Assembly connections were changed to a pigtail style connector.

**CONNECTION TYPES**



PIGTAIL



SOLENOID

ASPIRATOR

ITEM NO. 7 - SENSOR ASSEMBLY SELECTION GUIDE		
Code No.	Part No.	Description
<b>LEGACY STYLE CONNECTION - PRIOR TO DECEMBER 2021</b>		
0340130	GBL-123-AC	Closet Sensor Assembly Repair Kit, Legacy connection
0340136	GBL-123-AU	Urinal Sensor Assembly Repair Kit, Legacy connection
<b>PIGTAIL STYLE CONNECTION - AFTER DECEMBER 2021</b>		
33400067	GBL-217-A	Closet Sensor Assembly Repair Kit, Pigtail connection
33400068	GBL-218-A	Urinal Sensor Assembly Repair Kit, Pigtail connection
<b>ITEM NO. 14 - SENSOR SOLENOID REPAIR KIT SELECTION GUIDE</b>		
Code No.	Part No.	Description
<b>LEGACY STYLE CONNECTION - PRIOR TO DECEMBER 2021</b>		
3340025	GBL-1025-A	Solenoid Repair Kit, Legacy connection
<b>PIGTAIL STYLE CONNECTION - AFTER DECEMBER 2021</b>		
33400078	GBL-1096-A	Solenoid Repair Kit, Pigtail connection

## TruFlush Hardwired/Battery Flushometer

### TROUBLESHOOTING GUIDE

#### 1. Sensor LED Flashes Continuously Only When User Steps Within Range.

- A. Unit is in start-up mode; no problem. This feature is active for the first ten (10) minutes of operation.

#### 2. Red Light Blinks Four (4) Times When User Steps Within Range.

- A. "AA" Batteries depleted; replace batteries, lithium or alkaline. Ensure batteries are installed with proper polarity (+) and (-). **Do not mix** old and new batteries or different types.
- B. (Hardwired) Battery Box not connected; connect Battery Box to Sensor Assembly.

#### 3. Valve Does Not Flush; Sensor Not Picking Up User.

- A. Verify a urinal Sensor is not used on a closet Valve. Model is marked on rear of Sensor.
- B. Range is too short; recalibrate range. Restart the Sensor by holding the Override Button in for 25 seconds, then release the Override Button and step away for one (1) minute; with power connected, this is considered a **Soft Reset**.
- C. For **Hard Reset** of Sensor, remove all power connections (battery and hardwire) for one (1) minute. Reconnect power and step away from front of Sensor for 3½ minutes. Then test Sensor activation by standing in front of Sensor for ten (10) seconds, then step away and wait for flush. Test push button.

#### 4. Valve Does Not Flush; Sensor Picking Up Opposite Wall or Surface, or Only Flushes When Someone Walks By.

##### Red Light Flashes Continuously for First 10 Minutes Even with No One in Front of the Sensor.

- A. Verify a closet Sensor is not used on a urinal Valve. Model is marked on rear of Sensor.
- B. Range is too long; recalibrate range. Restart the Sensor by holding the Override Button in for 25 seconds, then release the Override Button and step away for one (1) minute; with power connected, this is considered a **Soft Reset**.
- C. If range needs to be manually shortened, reset the Sensor (follow Step 3B) and stand in front of the Sensor at desired range distance for one (1) minute.
- D. For **Hard Reset** of Sensor, remove all power connections (battery and hardwire) for one (1) minute. Reconnect power and step away from front of Sensor for 3½ minutes. Then test Sensor activation by standing in front of Sensor for ten (10) seconds, then step away and wait for flush. Test push button.

#### 5. Valve Does Not Flush Even After Sensor Recalibration.

- A. Ensure water supply to Valve is turned on.
- B. Activation Assembly sleeve is in closed position. Turn counter-clockwise to open water flow. **Note:** there is approximately 1/8-turn (45°) of free spinning as the Activation Assembly engages the Shut Off Sleeve between opening and closing the Valve.
- C. Solenoid wire disconnected from Sensor. Ensure Solenoid wires are intact and Solenoid plug is connected properly.
- D. "AA" Batteries depleted; replace batteries, lithium or alkaline. Ensure batteries are installed with proper polarity (+) and (-). **Do not mix** old and new batteries or different types.
- E. Sensor Assembly malfunctioned. Disconnect power for one (1) minute, reconnect power, and check for start-up operation (flashing red LED). See Step 4D.
- F. Check Solenoid for activation (clicking noise when pressing Sensor Override Button). If no clicks are heard, then contact Technical Support.

#### 6. Valve Does Not Shut Off.

- A. Ensure Solenoid is connected to Sensor.
- B. Supply line water pressure has dropped and is not sufficient to close the Valve. Close Activation Assembly until pressure is restored.
- C. Piston Filter Screen is clogged, Piston is damaged, or large debris stuck behind Piston. Turn off water at Shut Off Sleeve, release pressure, remove Safety Collar and Activation Assembly. Remove Piston and check inside Valve for large debris. **Do not attempt to remove Piston filter screen.** Replace Piston if damaged or cleaning does not correct the problem.

#### 7. Too Much Water To Fixture.

- A. Excessive flow pressure. Readjust Activation Assembly by turning clockwise to decrease flow pressure.
- B. Long Flush. Worn Piston; replace with new proper gpf/Lpf Piston.
- C. Wrong model installed; i.e., 1.6 gpf/6.0 Lpf model installed on 0.5 gpf/1.9 Lpf or 0.25 gpf/1.0 Lpf urinal fixture. Replace with proper model per guide.

#### 8. Not Enough Water To Fixture.

- A. Insufficient flow pressure. Readjust Activation Assembly by turning counter-clockwise to increase flow pressure.
- B. Water supply pressure is inadequate (low). Increase the water supply pressure. Contact the fixture manufacturer for minimum water supply requirements of the fixture.
- C. Wrong model installed; i.e., 0.5 gpf/1.9 Lpf urinal installed on a 1.6 gpf/6.0 Lpf closet fixture. Replace with proper model.
- D. Check lip seal for wear. Replace Piston if lip seal is worn or twisted.

#### 9. Chirping Noise Is Heard At Start Or End Of Flush.

- A. Caused by air purging from the system inside the Valve Assembly. Noise will subside with several flushes or within a day.

#### 10. Valve Leaks Through Aspirator When Activated.

- A. Debris between the umbrella Valve and the Retainer. Blow air on the Aspirator. If this does not correct the problem, remove Retainer with 5 mm Allen Key (not included) and wash it under clean running water. Replace Aspirator if cleaning does not correct the problem.
- B. Loose Retainer. Hand tight Retainer with 5 mm Allen Key (not included). Do not overtighten. Replace Aspirator if this does not correct the problem.

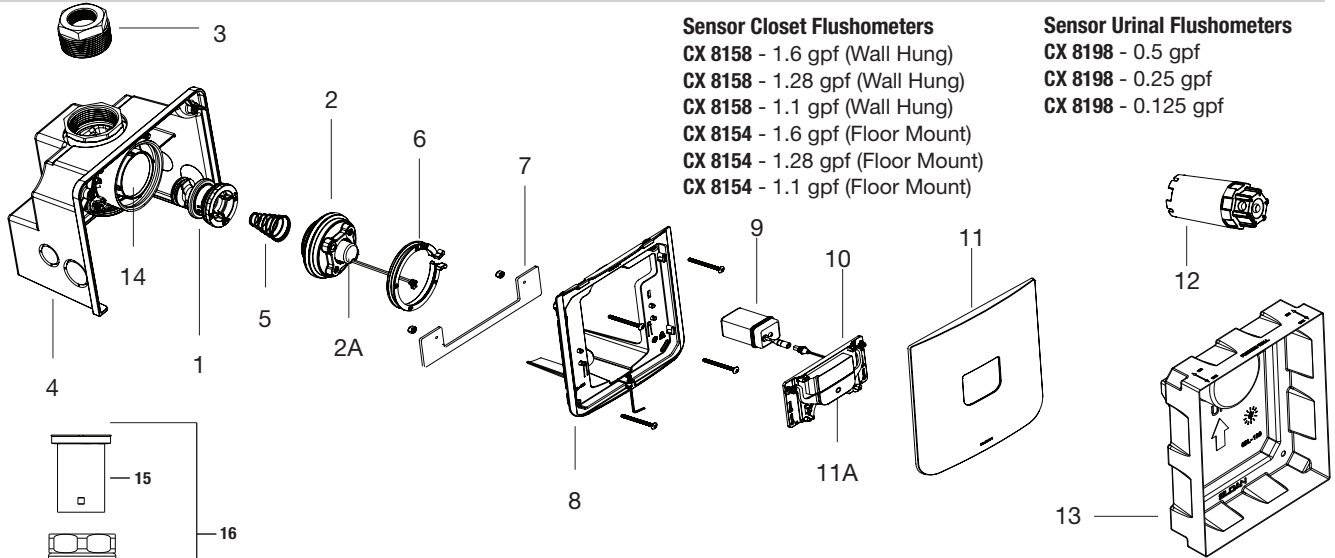
### CARE AND CLEANING

DO NOT USE abrasive or chemical cleaners (including chlorine bleach) to clean Flushometers that may dull the luster and attack the chrome or special decorative finishes. Use ONLY mild soap and water, then wipe dry with a clean cloth or towel. If using a cleaner in a spray bottle, DO NOT spray directly onto the Flushometer, instead spray cleaner into a clean cloth and then wipe down the Flushometer.

While cleaning bathroom tile, protect the Flushometer from any splattering of cleaner. Acids and abrasive cleaning fluids will discolor or remove chrome plating.

**When assistance is required, please contact Sloan Technical Support at 1.888.SLOAN.14 (1.888.756.2614).**

# CX Sensor Flushometer



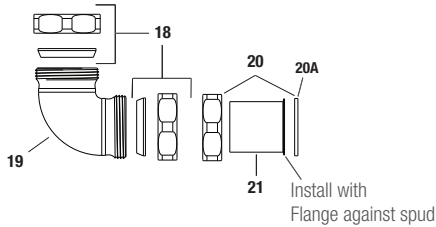
### Sensor Closet Flushometers

- CX 8158 - 1.6 gpf (Wall Hung)
- CX 8158 - 1.28 gpf (Wall Hung)
- CX 8158 - 1.1 gpf (Wall Hung)
- CX 8154 - 1.6 gpf (Floor Mount)
- CX 8154 - 1.28 gpf (Floor Mount)
- CX 8154 - 1.1 gpf (Floor Mount)

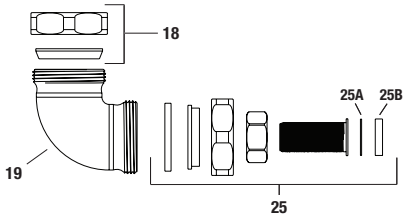
### Sensor Urinal Flushometers

- CX 8198 - 0.5 gpf
- CX 8198 - 0.25 gpf
- CX 8198 - 0.125 gpf

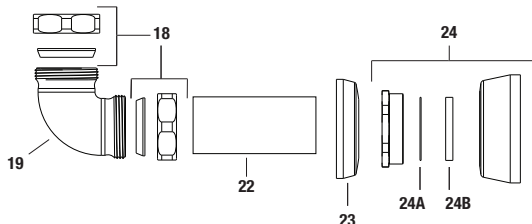
### For Model 8158, Wall Hung



### For Model 8198, Urinals



### For Model 8154, Floor Mount Exposed Rear Inlet



PARTS LIST			
Item No.	Code No.	Part No.	Description
1.	See table on next page		Piston Assembly
2.	See table on next page		Activation Assembly (Includes Item 2A)
2A.	See table on next page		Solenoid Assembly
3.	0340062	GBL-56	Inlet Adapter 1-1/2" NPT x 1" NPT Closet
	0340063	GBL-171	Inlet Adapter 1-1/2" NPT x 3/4" NPT Urinal
4.	—	—	Sensor CX Valve Body and Box Assembly*
5.	—	—	Conical Spring**
6.	3340011	GBL-1011-A	Safety Collar (Collar for Bonnet)
7.	33400011	GBL-214-A	C-Bracket with (2) Lock Nuts and Screws
8.	—	—	Sensor CX Wall Bracket*
9.	9103681PK	ELG-79	Battery Pack
10.	See table on next page		Sensor Assembly Closet
	See table on next page		Sensor Assembly Urinal
11.	See table on next page		Finished Wall Plate
11A.	See table on next page		Override Button Only
12.	3340012	GBL-1012-A	Activation Assembly Tool
13.	33400035	GBL-1062-A	Replacement Mud Guard, Sensor (4 pack)
14.	0340085	GBL-66-A	Shut Off Sleeve (with O-Ring)
* Not sold separately. ** Included with Piston.			
FLUSH CONNECTION PARTS			
Item No.	Code No.	Part No.	Description
15.	3323183	V-651	Vacuum Breaker Repair Kit
16.	0323011	V-500-A	RB Vacuum Breaker Assembly
17.	33060011	F-227-A	Adjustable Tube 6.5" Replacement Kit, 8158, 8198
	33060012	F-228-A	Adjustable Tube 10.5" Replacement Kit, 8154
18.	0306395	F-211-A	CX Poly Washer and Coupling (set of 2)
19.	0306392PK	F-305	CX Elbow for CX Poly Washer
20.	0306091	F-2-A	1-1/2" Coupling Set with S-21 Gasket
20A.	0319079	S-21	1-1/2" Rigid Gasket



## CX Sensor Flushometer

FLUSH CONNECTION PARTS CONTINUED			
Item No.	Code No.	Part No.	Description
21.	0306031PK	F-1	1-1/2" x 6" Tube
22.	0396119PK	F-101	CP Tube Outlet 1-1/2" x 10-1/2"
23.	0306237PK	F-7	Tube Flange 1-1/2" x 2-3/4" with Prongs
24.	0306146	F-5-AT	1-1/2" Spud Coupling Assembly CP *
24A.	5306058	F-3	Friction Ring 1-1/2"
24B.	5322001	VBF-5	Slip Joint Gasket 1-1/2"
25.	0306396	—	Urinal Flush Connection Repair Kit
25A.	5306055	F-3	Red Friction Ring 3/4"
25B.	5306113	F-5	Gasket 3/4"

ADDITIONAL PARTS		
Code No.	Part No.	Description
—	F-304	Poly Washer 1-1/2" (Only available in F-211-A, Item 18)
33400019	GBL-1050-A	Sensor CX Finished Wall Plate and Button Assembly, SF†
33400021	GBL-1051-A	Sensor CX Finished Wall Plate and Button Assembly, CP†
33400022	GBL-1052-A	Sensor CX Finished Wall Plate and Button Assembly, BN†
33400023	GBL-1053-A	Sensor CX Finished Wall Plate and Button Assembly, PB†
33400024	GBL-1054-A	Sensor CX Finished Wall Plate and Button Assembly, GR†
33400025	GBL-1055-A	Sensor CX Button Only Replacement Kit, SF
33400026	GBL-1056-A	Sensor CX Button Only Replacement Kit, CP
33400027	GBL-1057-A	Sensor CX Button Only Replacement Kit, BN
33400028	GBL-1058-A	Sensor CX Button Only Replacement Kit, PB
33400029	GBL-1059-A	Sensor CX Button Only Replacement Kit, GR

† Includes mounting screws and wrench.

ITEM NO. 1 - SENSOR PISTON ASSEMBLY SELECTION GUIDE				
Code No.	Part No.	Description	Piston Color*	
3340053	GBL-1037-A	1.6 gpf/6.0 Lpf Closet Piston Assembly	Green	
33400079	GBL-1098-A	1.28 gpf/4.8 Lpf Closet Piston Assembly	Blue/Black	
33400061	GBL-1088-A	1.1 gpf/4.2 Lpf Closet Piston Assembly	Burgundy/Black	
3340055	GBL-1039-A	0.5 gpf/1.9 Lpf Urinal Piston Assembly	Red	
3340056	GBL-1040-A	0.25 gpf/1.0 Lpf Urinal Piston Assembly	Burgundy	
33400003	—	0.125 gpf/0.48 Lpf Urinal Piston Assembly†	Red/Pink	

NOTE: Item No. 1 includes Item No. 5 (Conical Spring). \* Colors may differ. Consult factory to confirm you have the correct Piston Assembly. † 0.125 gpf/0.48 Lpf Valve Components (Piston, Main Seat, and Activation Assembly) are NOT interchangeable with any other flush volume Valves.

### ITEM NO. 1 - SENSOR PISTON IDENTIFICATION CHART

Flush Volume	1.6 gpf Water Closet	1.28 gpf Water Closet	1.1 gpf Water Closet	0.5 gpf Urinal	0.25 gpf Urinal	0.125 gpf Urinal
Piston Body	Green	Light Blue	Burgundy	Red	Burgundy	Red
Flow Control	Green	Black Cage	Black Cage	Red	Burgundy	Pink
Part Number	GBL-1037-A	GBL-1098-A	GBL-1088-A	GBL-1039-A	GBL-1040-A	—
Code Number	3340053	33400079	33400061	3340055	3340056	33400003

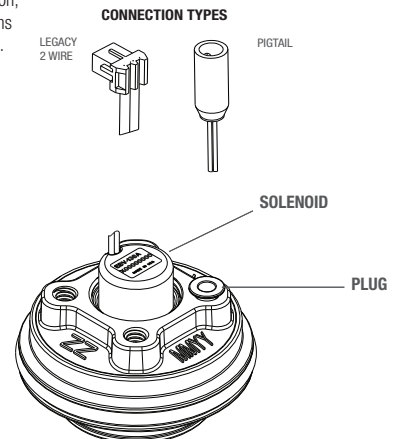
ITEM NO. 2 - ACTIVATION ASSEMBLY SELECTION GUIDE			
LEGACY CONNECTION** - PRIOR TO DECEMBER 2021			
Code No.	Part No.	Description	Plug Color*
3340057	GBL-1041-A	1.6 gpf/6.0 Lpf Closet Activation Assembly, Legacy connection	Green
3340058	GBL-1042-A	1.28 gpf/4.8 Lpf Closet Activation Assembly, Legacy connection	Purple
3340059	GBL-1043-A	0.5 gpf/1.9 Lpf Urinal Activation Assembly, Legacy connection	Red
3340060	GBL-1044-A	0.25 gpf/1.0 Lpf Urinal Activation Assembly, Legacy connection	Burgundy
33400006	GBL-1070-A	0.125 gpf/0.48 Lpf Urinal Activation Assembly, Legacy connection	N/A; Nickel plated brass
PIGTAIL CONNECTION** - AFTER DECEMBER 2021			
Code No.	Part No.	Description	Plug Color*
33400051	GBL-1077-A	1.6 gpf/6.0 Lpf Closet Activation Assembly, Pigtail connection	Green
33400052	GBL-1078-A	1.28 gpf/4.8 Lpf Closet Activation Assembly, Pigtail connection	Purple
33400062	GBL-1092-A	1.1 gpf/4.2 Lpf Closet Activation Assembly	Grey
33400053	GBL-1079-A	0.5 gpf/1.9 Lpf Urinal Activation Assembly, Pigtail connection	Red
33400054	GBL-1080-A	0.25 gpf/1.0 Lpf Urinal Activation Assembly, Pigtail connection	Burgundy
33400056	GBL-1081-A	0.125 gpf/0.48 Lpf Urinal Activation Assembly, Pigtail connection	N/A; Nickel plated brass

\* Colors may differ. Consult factory to confirm you have the correct assembly.

\*\* Includes Solenoid Repair Kit #2A.

ITEM NO. 2A - SOLENOID ASSEMBLY SELECTION GUIDE		
Code No.	Part No.	Description
33250013	EBV-415-A	Solenoid Assembly with Legacy connection
33400078	GBL-1096-A	Solenoid Assembly with Pigtail connection
ITEM NO. 10 - SENSOR ASSEMBLY SELECTION GUIDE		
Code No.	Part No.	Description
0340271	GBL-209-AC	CX Sensor Assembly for Closet with Legacy connection
0340272	GBL-210-AU	CX Sensor Assembly for Urinal with Legacy connection
33400069	GBL-219-A	CX Sensor Assembly for Closet with Pigtail connection
33400071	GBL-220-A	CX Sensor Assembly for Urinal with Pigtail connection

NOTE: After December 2021, the Activation, Solenoid, and Sensor Assembly connections were changed to a pigtail style connection.





## CX Sensor Flushometer

### TROUBLESHOOTING GUIDE

#### 1. Sensor LED Flashes Continuously Only When User Steps Within Range.

A. Unit is in start-up mode; no problem. This feature is active for the first ten (10) minutes of operation.

#### 2. Red Light Blinks Four (4) Times When User Steps Within Range.

A. "AA" Batteries depleted; replace batteries, lithium or alkaline. Ensure batteries are installed with proper polarity (+) and (-). **Do not mix** old and new batteries or different types.

B. (Hardwired) Battery Box not connected; connect Battery Box to Sensor Assembly.

#### 3. Valve Does Not Flush; Sensor Not Picking Up User.

A. Verify a urinal Sensor is not used on a closet Valve. Model is marked on rear of Sensor.

B. Range is too short; recalibrate range. Restart the Sensor by holding the Override Button in for 25 seconds, then release the Override Button and step away for one (1) minute; with power connected, this is considered a **Soft Reset**.

C. For **Hard Reset** of Sensor, remove all power connections (battery and hardwire) for one (1) minute. Reconnect power and step away from front of Sensor for 3½ minutes. Then test Sensor activation by standing in front of Sensor for ten (10) seconds, then step away and wait for flush. Test push button.

#### 4. Valve Does Not Flush; Sensor Picking Up Opposite Wall or Surface, or Only Flushes When Someone Walks By.

**Red Light Flashes Continuously for First 10 Minutes Even with No One in Front of the Sensor.**

A. Verify a closet Sensor is not used on a urinal Valve. Model is marked on rear of Sensor.

B. Range is too long; recalibrate range. Restart the Sensor by holding the Override Button in for 25 seconds, then release the Override Button and step away for one (1) minute; with power connected, this is considered a **Soft Reset**.

C. If range needs to be manually shortened, reset the Sensor (follow Step 3B) and stand in front of the Sensor at desired range distance for one (1) minute.

D. For **Hard Reset** of Sensor, remove all power connections (battery and hardwire) for one (1) minute. Reconnect power and step away from front of Sensor for 3½ minutes. Then test Sensor activation by standing in front of Sensor for ten (10) seconds, then step away and wait for flush. Test push button.

#### 5. Valve Does Not Flush Even After Sensor Recalibration.

A. Ensure water supply to Valve is turned on.

B. Activation Assembly sleeve is in closed position. Turn counter-clockwise to open water flow. **Note:** there is approximately 1/8-turn (45°) of free spinning as the Activation Assembly engages the Shut Off Sleeve between opening and closing the Valve.

C. Solenoid wire disconnected from Sensor. Ensure Solenoid wires are intact and Solenoid plug is connected properly.

D. "AA" Batteries depleted; replace batteries, lithium or alkaline. Ensure batteries are installed with proper polarity (+) and (-). **Do not mix** old and new batteries or different types.

E. Sensor Assembly malfunctioned. Disconnect power for one (1) minute, reconnect power, and check for start-up operation (flashing red LED). See Step 4D.

F. Check Solenoid for activation (clicking noise when pressing Sensor Override Button). If no clicks are heard, then contact Technical Support.

#### 6. Valve Does Not Shut Off.

A. Ensure Solenoid is connected to Sensor.

B. Supply line water pressure has dropped and is not sufficient to close the Valve. Close Activation Assembly until pressure is restored.

C. Piston Bypass is clogged, Piston is damaged, or large debris stuck behind Piston. Turn off water at Shut Off Sleeve, release pressure, remove Safety Collar and Activation Assembly. Remove Piston and check inside Valve for large debris. Replace Piston if damaged or cleaning does not correct the problem.

#### 7. Too Much Water to Fixture.

A. Excessive flow pressure. Readjust Activation Assembly by turning clockwise to decrease flow pressure.

B. Long Flush. Worn Piston; replace with new proper gpf/Lpf Piston.

C. Wrong model installed; i.e., 1.6 gpf model installed on 0.5 gpf/1.9 Lpf or 0.25 gpf/1.0 Lpf urinal fixture. Replace with proper model per guide.

#### 8. Not Enough Water to Fixture.

A. Insufficient flow pressure. Readjust Activation Assembly by turning counter-clockwise to increase flow pressure.

B. Water supply pressure is inadequate (low). Increase the water supply pressure. Contact the fixture manufacturer for minimum water supply requirements of the fixture.

C. Wrong model installed; i.e., 0.5 gpf/1.9 Lpf urinal installed on a 1.6 gpf/6.0 Lpf closet fixture. Replace with proper model.

D. Check lip seal for wear. Replace Piston if lip seal is worn or twisted.

#### 9. Chirping Noise is Heard at the Start or End of Flush.

A. Caused by air purging from the system inside the Valve Assembly. Noise will subside with several flushes or within a day.

### CARE AND CLEANING

**DO NOT USE** abrasive or chemical cleaners (including chlorine bleach) to clean Flushometers that may dull the luster and attack the chrome or special decorative finishes. Use mild soap and water, then wipe dry with a clean soft cloth or towel. If using a cleaner in a spray bottle, **DO NOT spray directly onto the Flushometer**, instead spray cleaner into a clean cloth and then wipe down the Flushometer.

While cleaning surrounding bathroom tile, protect the Flushometer from any splattering of cleaner. Acids and abrasive cleaning fluids will discolor or remove chrome plating.

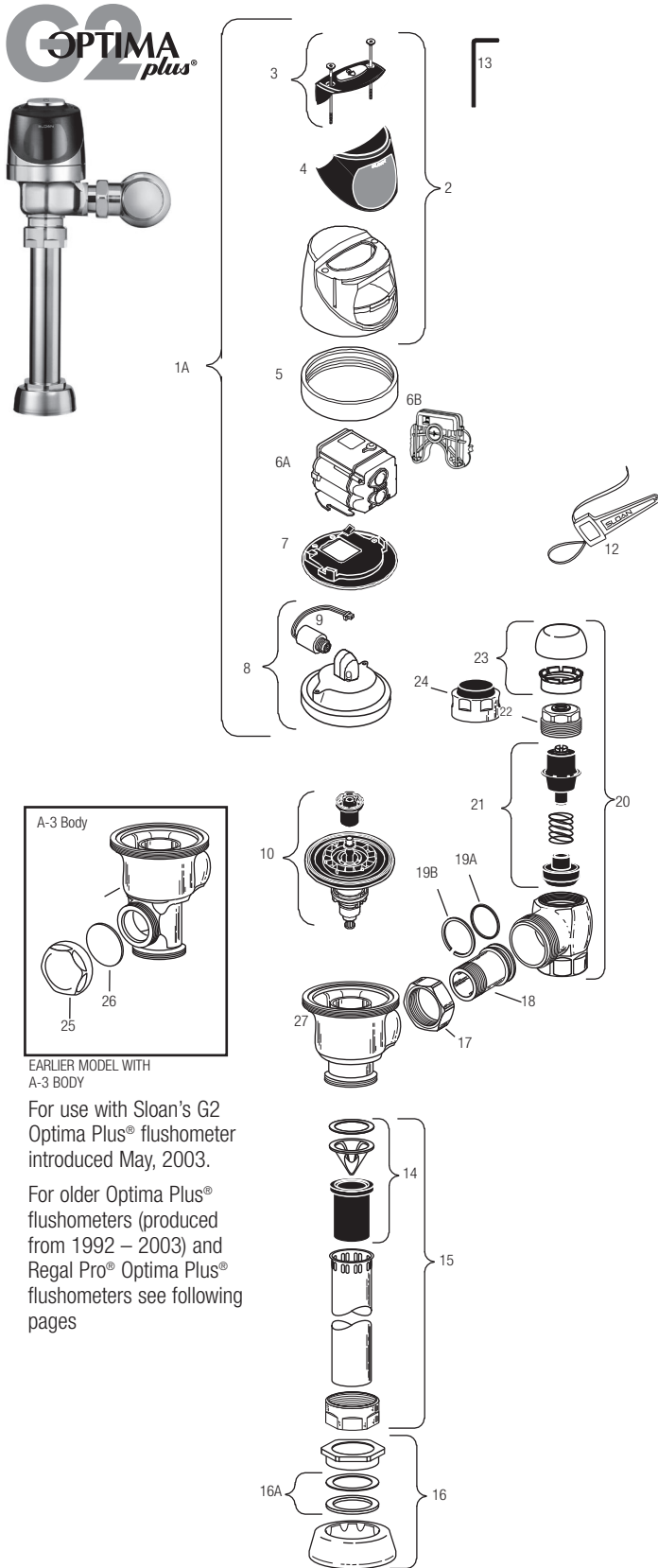
#### IMPORTANT NOTE FOR 1.1 GPF FLUSHOMETERS & REPLACEMENT KITS

Sloan 1.1 gpf/4.2 Lpf ultra-high efficiency flushometers meets all applicable standards and requirements. However, with low flush volumes it is imperative that they only be used in conjunction with toilet fixtures and drain line systems designed to operate with adequate flow rates and volumes in order to effectively eliminate waste and move it out of the building. It is the responsibility of the user to ensure both of these conditions are met. Not doing so may void your warranty.

Sloan 1.1 gpf diaphragm and piston kits are designed as a replacement part for Sloan 1.1 gpf/4.2 Lpf flushometers only. They are not intended to be used as a means to reduce water consumption in flushometers with higher flush volumes such as 1.28 gpf/4.8 Lpf or 1.6 gpf/6.0 Lpf or higher. Using this kit in any manner other than with a Sloan 1.1 gpf flushometer may void your warranty.

**When assistance is required, please contact Sloan Technical Support at 1.888.SLOAN.14 (1.888.756.2614).**

## G2 Flushometer



EARLIER MODEL WITH A-3 BODY

For use with Sloan's G2 Optima Plus® flushometer introduced May, 2003.

For older Optima Plus® flushometers (produced from 1992 – 2003) and Regal Pro® Optima Plus® flushometers see following pages

† For use with 1" and 3/4" H-700-A and 1" H-600-A Bak-Chek® screwdriver control stop  
 ‡ For use with H-600-A 3/4" screwdriver Bak-Chek® control stops

\* Refer to Page 58 for instructions regarding solenoid replacement.

‡ BlueTooth Enabled.

†The brands and/or products names referenced herein may be subject to trademark rights of their respective owners. Use of the brands and names is for identification purposes only and does not imply affiliation with or endorsement by Sloan.

### SENSOR MODULE COMPONENT PARTS

Item No.	Code No.	Part No.	Description
1A.	<b>0325160</b>	EBV-138-A	G2 Cover/Ring/Sensor Assembly – Water Closet
	<b>0325161</b>	EBV-139-A	G2 Cover/Ring/Sensor Assembly – Urinal
	<b>0325166</b>	EBV-149-A	G2 Cover/Ring/Sensor Assembly Water Closet - fits Zurn† valve bodies
	<b>0325167</b>	EBV-150-A	G2 Cover/Ring/Sensor Assembly Urinal fits Zurn† bodies
2.	<b>0325168</b>	EBV-142-A	Cover Assembly
3.	<b>0325172</b>	EBV-130-A	Override Button Assembly includes screws & wrench
	<b>0325170</b>	EBV-132-A	Screws (2) and Allen Wrench Only
4.	<b>0325169</b>	EBV-131	Lens Window Cover
5.	<b>0325804</b>	EBV-14	Locking Ring CP
	<b>0325210</b>	EBV-168	Locking Ring CP <b>DISCONTINUED</b>
	<b>3325524</b>	EBV-31-A	Locking Ring – fits Zurn† valve bodies
6A.	<b>3325450</b>	EBV-129-A-C	G2 Electronic Module – Water Closet
	<b>3325451</b>	EBV-129-A-U	G2 Electronic Module – Urinal
	<b>33250047</b>	EBV387A-BT‡	G2 Electronic Module Urinal 0.5 gpf
	<b>33250048</b>	EBV-129A-BT‡	G2 Electronic Module Urinal 1.0 gpf
	<b>33250051</b>	EBV-129AC-BT‡	G2 Electronic Module Water Closet 1.6 gpf
	<b>33250052</b>	EBV-129AC-BT‡	G2 Electronic Module Water Closet 1.28 gpf
6B.	<b>33250012</b>	—	Battery Door Replacement
7.	<b>0325171</b>	EBV-134	Cover Rest Plate
8.	<b>3325456</b>	EBV-145-A	Inside Cover Assembly (includes EBV-136-A)
	<b>3325089</b>	EBV-1010-A	Inside Cover Assembly (includes EBV-145-A & EBV-14)
9.	<b>3325453</b>	EBV-136-A	Solenoid (For G2 Modules only)*
10.	<b>SEE CHART NEXT PAGE</b>		Flex Tube Diaphragm Kit
<b>ACCESSORIES</b>			
†1.	<b>0325107</b>	EBV-91	Trimpot Adjustment Screwdriver <b>DISCONTINUED</b> not shown
12.	<b>0305823</b>	EBV-22	Strap Wrench
13.	<b>0325170</b>	EBV-132-A	Allen Wrench 7/64"
<b>VALVE COMPONENT PARTS</b>			
14.	<b>3323182</b>	V-651-A	Vacuum Breaker Repair Kit
15.	<b>0393046</b>	V-600-AA	3/4" x 10 1/2" CP Vacuum Breaker (10" Outlet Tube)
	<b>0393020</b>	V-600-AA	1-1/4" x 10 1/2" CP Vacuum Breaker (10" Outlet Tube)
	<b>0393021</b>	V-600-AA	1-1/2" x 10 1/2" CP Vacuum Breaker (10" Outlet Tube)
16.	<b>0306125</b>	F-5-AW	3/4" CP Spud Coupling
	<b>0306140</b>	F-5-AU	1-1/4" CP Spud Coupling
	<b>0306146</b>	F-5-AT	1-1/2" CP Spud Coupling
<b>16A.SEE SLIP JOINT GASKETS AND RINGS TABLE ON NEXT PAGE</b>			
17.	<b>0308676</b>	H-550	CP Stop Coupling
18.	<b>0308801</b>	H-551-A	CP Adjustable Tailpiece 2-1/16" long
19A.	<b>5308696</b>	H-553	O-ring – 24 per package
19B.	<b>5308381</b>	H-552	Locking ring – 12 per package
20.	<b>3308386</b>	H-700-A	1" Screwdriver Bak-Chek® Stop CP – complete
	<b>3308384</b>	H-700-A	3/4" Screwdriver Bak-Chek® Stop CP – complete
21.	<b>3308853</b>	H-541-A	Control Stop Repair Kit †
	<b>3308856</b>	H-543-A	Control Stop Repair Kit † 3/4" H-540/H-600 only
22.	<b>0308612</b>	H-622	CP Bonnet †
	<b>0308843</b>	H-577	CP Bonnet † – <b>DISCONTINUED</b>
23.	<b>3308772</b>	H-1010-A	Vandal Resistant Control Stop Cap Assembly †
	<b>3308790</b>	H-1009-A	Vandal Resistant Control Stop Cap Assembly †
24.	<b>3325816</b>	EBV-1019-A	3/4" Decorative Stop Cap
	<b>3308866</b>	H-574	1" Decorative Stop Cap
25.	<b>3325814</b>	EBV-1017-A	Handle Cap — Metal
26.	<b>0311042</b>	K-46	Blind Nut Gasket
27.	<b>0305381</b>	EBV-36-A	Squatty Valve Body
28.	<b>3388015</b>	H-1015	Flow Control Kit (HEU Only) (not Shown)

## G2 Flushometer

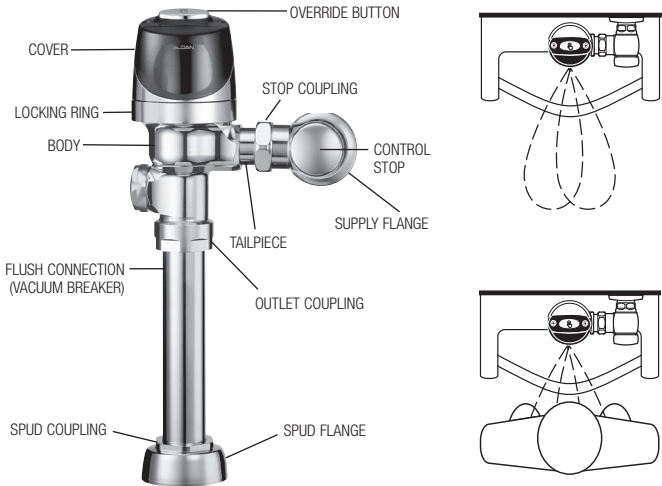
Sloan introduced its Optima Plus® battery powered sensor flushometer in 1992, revolutionizing the flushing of water closets and urinals. In both new construction and retrofit applications, the use of the Optima Plus has become the standard method for many facilities to improve restroom hygiene and ensure handicap accessibility compliance.

In May, 2003 Sloan introduced the G2 Optima Plus®.

The G2 Optima Plus® builds on the success of the original product and offers many technological advancements to further improve on performance and reliability expected of sensor activated plumbing. In addition to a new aesthetic design, the G2 Optima Plus® features a new state-of-the-art electronic and optical package and a solenoid operator. The G2 Optima Plus replaces the original Optima Plus® product, which was phased out of production in mid-2003.

The Sloan G2 Optima Plus® automatic battery powered flushometer relies on an infrared sensor to detect a user and activate a flushing cycle. No physical contact with the flushometer surface is necessary, assuring sanitary protection. G2 Optima Plus® flushometers are ADA compliant devices.

The flushometer is triggered by means of an active infrared sensor. The Optima Plus® sensor emits a continuous invisible light beam. When a user enters the beam's effective range, the beam is reflected into the Optima Plus scanner window. The user is now detected. After the user moves out of the effective range of the sensor, a signal is sent to the flushometer solenoid and, after appropriate arming and/or flush delays, the flush cycle is initiated.



### ITEM 10. FLEX TUBE DIAPHRAGM KIT

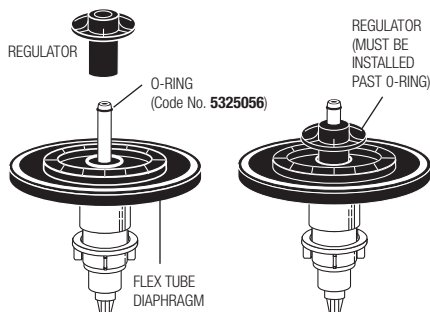
Code No.	Part No.	Description	Regulator Color *
3325090	EBV-1025-A	Urinal-0.125 gpf/0.25 gpf	GREEN
3325003	EBV-1023-A	Urinal-0.5 gpf/1.9 Lpf†	GREEN
3325000	EBV-1022-A	Urinal-1.0 gpf/3.8 Lpf	GREEN
3325000	EBV-1022-A	Urinal-1.5 gpf/5.7 Lpf †	BLACK
3325001	EBV-1020-A	Urinal-3.5 gpf/13.2 Lpf †	WHITE
3325031	EBV-1024-A	Closet-1.28 gpf/4.8 Lpf	GREEN
3325001	EBV-1020-A	Closet-1.6 gpf/6.0 Lpf †	GREEN
3325014	EBV-1021-A	Closet-2.4 gpf/9.0 Lpf	BLUE
3325001	EBV-1020-A	Closet-3.5 gpf/13.2 Lpf	WHITE
3325001	EBV-1020-A	Closet-4.5 gpf/17.0 Lpf §	WHITE

† EBV-1020-A and EBV-1022-A are supplied with multiple regulators.  
 ‡ A 0.5 gpf (1.9 Lpf) urinal kit can be converted to a 1.0 gpf (3.8 Lpf) by cutting and removing the smooth A-164 flow ring from the guide.  
 § For a 4.5 gpf (17 Lpf) water closet flush use EBV-1020-A with the white regulator, and cut and remove the A-164 flow ring from the guide.  
 \* Color of regulator to be used with flex tube diaphragm to obtain the listed flush volume.

EBV-1025-A includes H-1015A Flow Control

### O-RING

Code No.	Part No.	Description
5325056	EBV-83	O-ring – 6 per package



### REGULATORS

The flush volume of the flex tube diaphragm kit is controlled by the regulator. Regulators are identified by color. Some flex tube diaphragm kits are supplied with multiple regulators. The installer must make sure the proper regulator is used when installing the flex tube diaphragm kit.

### REGULATOR (SOLD 6 PER PACKAGE)

Code No.	Part No.	Description	Regulator Color
5325122	EBV-95	Urinal-0.25 gpf/1.0 Lpf	GREEN
5325122	EBV-95	Urinal-0.5 gpf/1.9 Lpf	GREEN
5325122	EBV-95	Urinal-1.0 gpf/3.8 Lpf	GREEN
5325129	EBV-102-2	Urinal-1.5 gpf/5.7 Lpf	BLACK
5325130	EBV-102-1	Urinal-3.5 gpf/13.2 Lpf	WHITE
5325122	EBV-95	Closet-1.28 gpf/4.8 Lpf	GREEN
5325122	EBV-95	Closet-1.6 gpf/6.0 Lpf	GREEN
5325130	EBV-102-1	Closet-3.5 gpf/13.2 Lpf	WHITE
5325128	EBV-101	Closet-2.4 gpf/9.0 Lpf	BLUE

EBV-1020-A and EBV-1022-A are supplied with multiple flush volume regulators. The installer must use the correct regulator when installing the kit.

### ITEM 16A. SLIP JOINT GASKETS AND RINGS

Size	Code No.	Part No.	Description
1-1/2"	5306058	F-3	Red Friction Ring
	5322001	VBF-5	Black Slip Joint Gasket
	0319086/5319086	S-30	Flexible Seat
	0319079	S-21	Rigid Seat (rubber over brass)
1-1/2" x 1-1/4"	0396062	F-105	Slip Joint Gasket – Rigid
	5306057	F-3	Red Friction Ring
1-1/4"	5322176	VBF-5	Black Slip Joint Gasket
	0307052/5307052	G-21	Rigid Seat (rubber over brass)
	5306056	F-3	Red Friction Ring
1"	5306115	F-5	Black Slip Joint Gasket
	5306055	F-3	Red Friction Ring
3/4"	5306113	F-5	Black Slip Joint Gasket

## G2 Flushometer

### SOLENOID REPLACEMENT



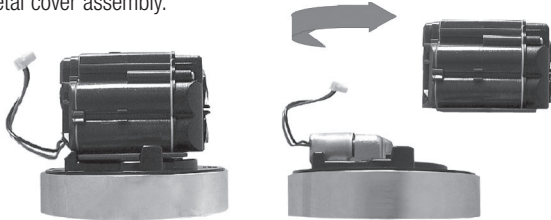
Code No.	Part No.	Description
3325453	EBV-136-A	Solenoid operator

For G2 Optima Plus® modules (identified by a blue module).

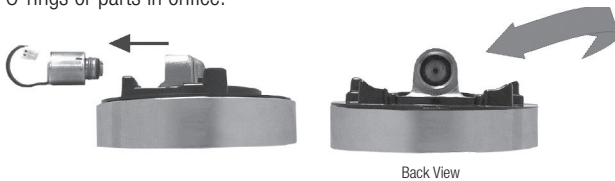
1. Turn off water and relieve pressure by loosening Tailpiece coupling and re-tighten. Loosen and remove top screws along with the outer cover assembly.



2. Disconnect wire clip from battery door and remove module from inner metal cover assembly.



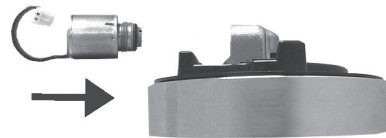
3. Remove Solenoid by turning counter clockwise. Remove any remaining O-rings or parts in orifice.



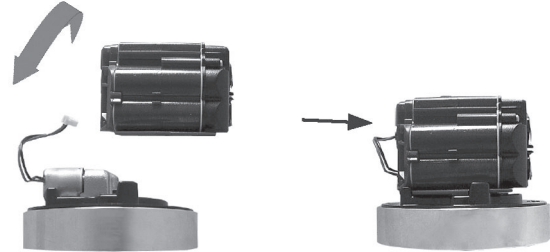
4. Remove black plastic Housing from the threaded end of new Solenoid Operator by unscrewing (counterclockwise). It is normal to find fluid inside this housing.



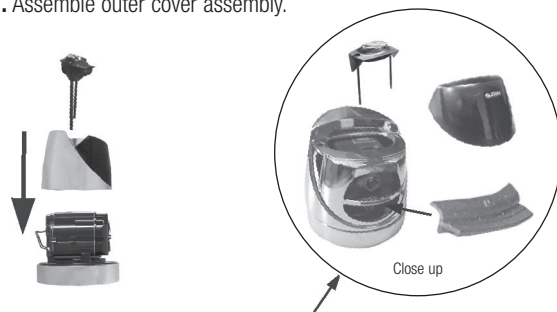
5. Make sure all O-rings (2) are installed on the grey End cap of the new Solenoid Operator. Install Solenoid Operator by threading it (clockwise) into the Housing. Tighten with fingers beyond just snug.



6. Mount module on inner cover assembly. Reconnect the plastic clip on the battery door.



7. Assemble outer cover assembly.



8. Turn on water at control stop. Installation complete.



## G2 Flushometer

### BATTERY REPLACEMENT

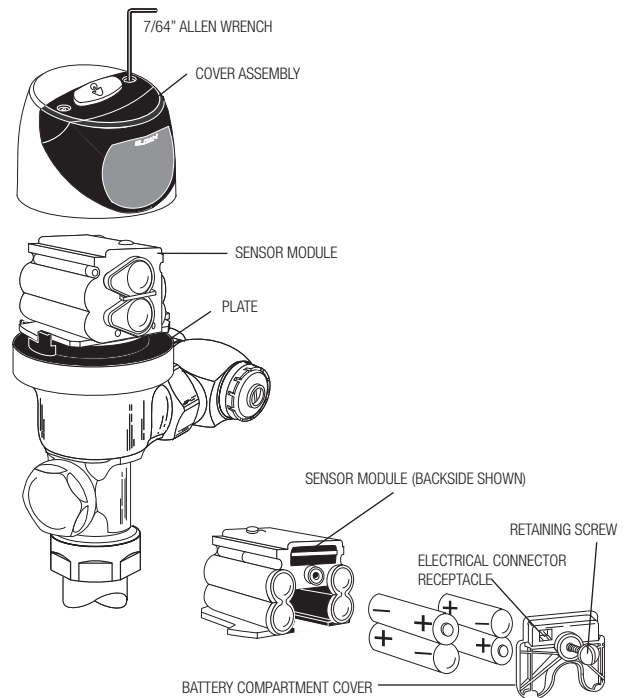
When G2 Optima Plus® has approximately 4,000 flushes left, the same red light that appears at start-up will flash four (4) times quickly whenever an object is detected. When this occurs, we recommend changing the batteries as follows:

When required, replace batteries with four (4) type AA batteries.

**Note: Water does not have to be turned off to replace batteries.**

Loosen the two (2) screws on top of unit. Remove the complete cover assembly. Lift the sensor module from its plate. Unplug the electrical connector from battery compartment cover. Loosen the retaining screw on battery compartment cover and remove battery compartment cover. Install four (4) alkaline type AA batteries exactly as illustrated at right.

Install battery compartment cover and secure with retaining screw. Make certain that battery compartment cover is fully compressed against gasket to provide a seal; Do not overtighten. Plug the electrical connector into the battery compartment cover. Reinstall the sensor module onto the plate. Reinstall the complete cover assembly onto the plate. Tighten the two (2) screws on top of the unit.



### RANGE ADJUSTMENT (ADJUST ONLY IF NECESSARY)

The Optima Plus has a factory set sensing range:

Water Closet Models - 22" to 42" (559 mm to 1067 mm)

Urinal Models - 15" to 30" (381 mm to 762 mm)

**The Factory setting should be satisfactory for most installations.**

If the range is too short (i.e., not picking up users) or too long (i.e., picking up opposite wall or stall door) the range can be adjusted.

**Note: Water does not have to be turned off to adjust range.**

Make sure to remove all the non-permanent targets in sensor view area. Push manual override button for 25 seconds. the Red LED in the G2 sensor starts slow blinking. Release the button during the LED blinking. The G2 will enter into distance setting mode. The setting mode will run for one (1) minute.

**!!! IMPORTANT !!!**  
**WHEN ADJUSTING RANGE FOR URINAL SENSOR, MAKE SURE TO SETUP A PROPER TARGET IN FRONT OF URINAL SENSOR.**



## G2 Flushometer

### TROUBLESHOOTING AND MAINTAINING THE SLOAN G2 OPTIMA PLUS® FLUSHOMETER

**IMPORTANT:** This product contains mechanical and/or electrical components that are subject to normal wear. These components should be checked on a regular basis and replaced as needed to maintain the valve's performance.

Never open Control Stop to where the flow from the valve exceeds the flow capability of the fixture. In the event of a valve failure, the fixture must be able to accommodate a continuous flow from the valve.

**ATTENTION INSTALLERS:** With the exception of the control stop inlet, DO NOT USE pipe sealant or plumbing grease on any valve component or coupling! To protect the chrome or special finish of Sloan flushometers, DO NOT USE toothed tools to install or service these valves. Use our A-50 Super-Wrench™ or other smooth-jawed wrench to secure couplings. Regulations for low consumption fixtures (1.6 gpf/6.0 Lpf closets and 1.0 gpf/3.8 Lpf urinals) prohibit use of higher flush volumes.

#### 1. Sensor flashes continuously only when user steps within range.

- A. Unit in start-up mode; no problem. This feature is active for the first ten (10) minutes of operation.

#### 2. Valve does not flush; sensor not picking up user.

- A. Range too short; increase the range.

#### 3. Valve does not flush; sensor picking up opposite wall or surface, or only flushes when someone walks by. Red light flashes continuously for first ten 10 minutes even with no one in front of the sensor.

- A. Range too long; shorten range.

#### 4. Valve does not flush even after adjustment.

- A. Range adjustment potentiometer set at full "max" or full "min" setting. Readjust potentiometer away from full "max" or "min" setting.
- B. Batteries completely used up; replace batteries.
- C. Problem with electronic sensor module; replace electronic sensor module.

#### 5. Unit flashes 4 quick times when user steps within range.

- A. Batteries low; replace batteries.

#### 6. Valve does not shut off.

- A. By-pass orifice in diaphragm is clogged with dirt or debris, or by-pass is clogged by an invisible gelatinous film due to "over-treated" water. Remove flex tube diaphragm and wash under running water.

**Note:** Size of orifice in the by-pass is of utmost importance for the proper metering of water by the valve. **DO NOT ENLARGE OR DAMAGE THIS ORIFICE.** Replace flex tube diaphragm if cleaning does not correct the problem.

- B. Dirt or debris fouling stem or flex tube diaphragm. Remove flex tube diaphragm and wash under running water.
- C. O-ring on stem of flex tube diaphragm is damaged or worn. Replace O-ring if necessary.
- D. Problem with solenoid. If cleaning does not correct problem, replace with new solenoid operator.

#### 7. Not enough water to fixture.

- A. Wrong flush volume regulator installed in flex tube diaphragm kit. Install the correct regulator.
- B. Wrong Optima Plus® model installed; i.e., 1.0 gpf urinal installed on 3.5 gpf closet fixture. Replace with proper Optima Plus model.
- C. Enlarged by-pass in diaphragm. Replace flex tube diaphragm.
- D. Control stop not adjusted properly. Readjust control stop.
- E. Inadequate volume or pressure at supply. Increase water pressure or supply (flow) to valve. Consult factory for assistance.

#### 8. Too much water to fixture.

- A. Wrong flush volume regulator installed in flex tube diaphragm kit. Install the correct regulator.
- B. Control stop not adjusted properly. Readjust control stop.
- C. Wrong Optima Plus model installed; i.e., 3 gpf model installed on 1.0 or 1.5 gpf urinal fixture.
- D. Dirt in diaphragm by-pass. Clean under running water or replace flex tube diaphragm.

Note: The EBV-46-A beam deflector is no longer required or available for the G2 Optima Plus.

### CARE AND CLEANING INSTRUCTIONS

**DO NOT USE** abrasive or chemical cleaners to clean the flushometer, they may dull the luster and attack the plastic cover and the chrome finish of the flushometer. Use **ONLY** mild soap and water, then wipe dry with clean cloth or towel.

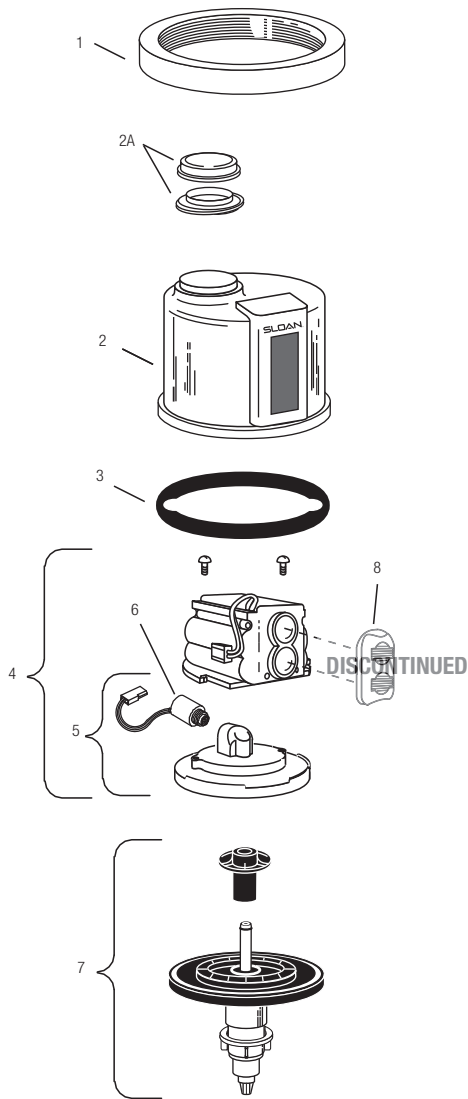
While cleaning the bathroom tile, the Optima Plus should be protected from any splattering of cleaner. Acids and cleaning fluids can discolor or remove chrome plating.

**When assistance is required, please contact Sloan Technical Support at: 1-888-SLOAN-14 (1-888-756-2614).**

# Optima® Flushometer



## OPTIMA



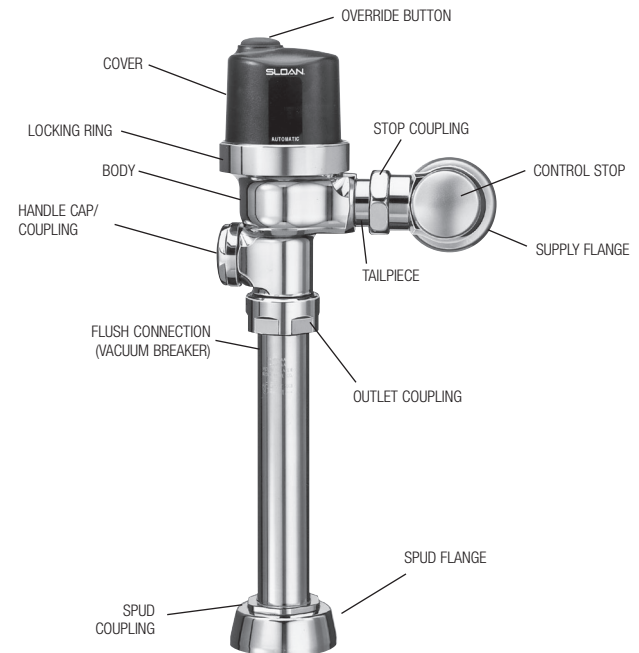
For all Optima Plus® produced from 1992 – 2003 and Regal Pro® Optima Plus® produced after May, 2003.  
**See the G2 Optima Plus® flushometer section for current parts.**

### SENSOR MODULE COMPONENT PARTS

Item No.	Code No.	Part No.	Description
1.	<b>0325804</b>	EBV-14	Locking Ring
	<b>3325524</b>	EBV-31-A	Locking Ring fits Zurn† valve bodies
2.	<b>3325013</b>	EBV-60-A	Metal Cover Assembly with Override Button (Water Closet)
	<b>3325016</b>	EBV-1033-A	Metal Cover Assembly w/Override Button fits Zurn† valve bodies
2A.	<b>3325055</b>	EBV-1042-A	Replacement Override Button Kit for plastic covers (Old Style)
3.	<b>5325011</b>	EBV-67	Cover Gasket — 12 per package
4.	<b>SEE CHART PAGE 63 — ELECTRONIC MODULE</b>		
5.	<b>0325814</b>	EBV-21-A	Inside Cover Assembly (Includes Solenoid)
6.	<b>3325462</b>	EBV-144-A	Solenoid Operator †
7.	<b>SEE CHART PAGE 64 — Flex Tube Diaphragm Kit</b>		
8.	<b>3325537</b>	EBV-46-A	Beam Deflector ‡ — <b>DISCONTINUED</b>

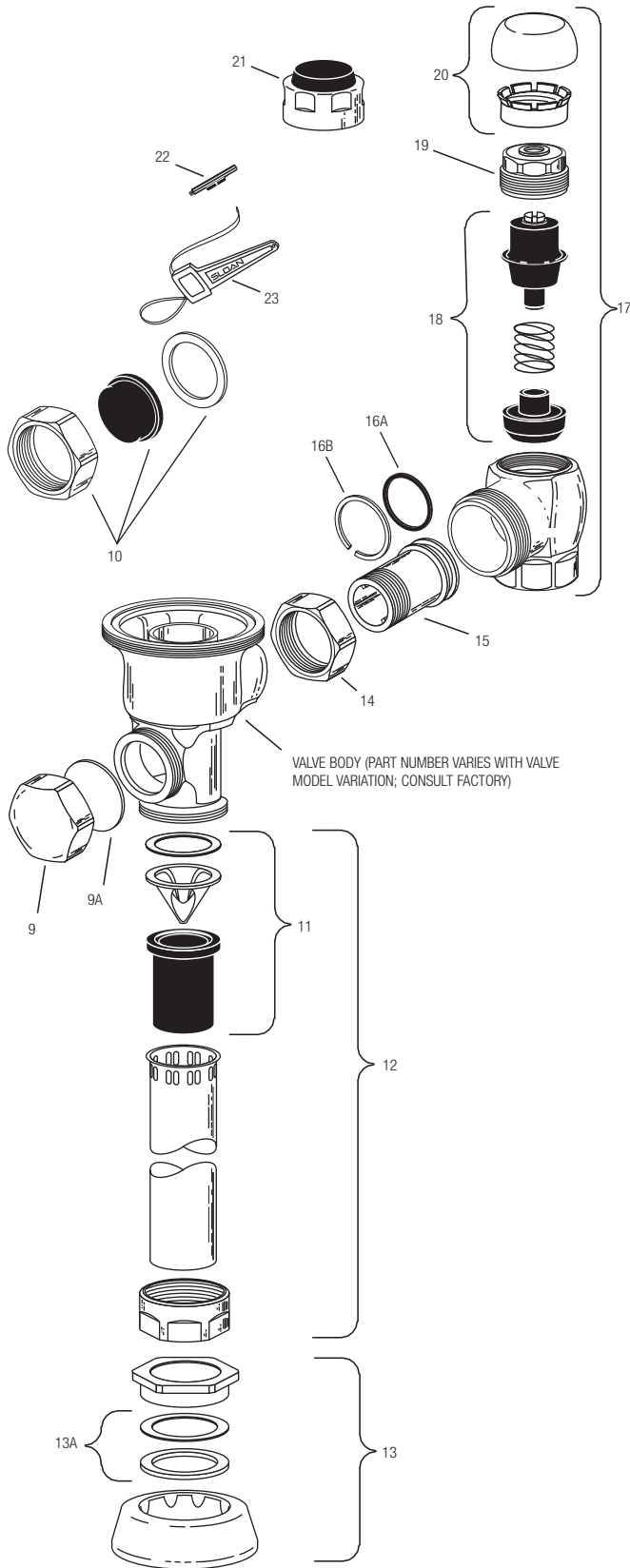
† The new EBV-144-A solenoid replaces the solenoid used with the old style black EBV-26-A modules only. For blue EBV-146-A-U or EBV-146-A-C G2 modules, use the EBV-136-A solenoid operator. Refer to module assembly chart for instructions regarding solenoid replacement.

‡ Beam deflectors are for use on black, old style modules. They are not required (and will not work) on Blue G2 modules.



†The brands and/or products names referenced herein may be subject to trademark rights of their respective owners. Use of the brands and names is for identification purposes only and does not imply affiliation with or endorsement by Sloan.

# Optima® Flushometer



## OTHER VALVE COMPONENT PARTS

Item No.	Code No.	Part No.	Description
9.	<b>3325814</b>	EBV-1017-A	Handle Cap — Metal
9A.	<b>0311042</b>	K-46	Blind Nut Gasket
10.	<b>3325815</b>	EBV-1018-A	Handle Cap — Metal Coupling/Plastic Hole Cap — <b>DISCONTINUED</b>
11.	<b>3323182</b>	V-651-A	Vacuum Breaker Repair Kit
12.	<b>3393004</b>	V-600-AA	3/4" (19 mm) x 10 1/2" (254 mm) CP Vacuum Breaker (10" Outlet Tube)
	<b>3393006</b>	V-600-AA	1-1/4" (32 mm) x 10 1/2" (254 mm) CP Vacuum Breaker (10" Outlet Tube)
	<b>3393007</b>	V-600-AA	1-1/2" (38 mm) x 10 1/2" (254 mm) CP Vacuum Breaker (10" Outlet Tube)
13.	<b>0306125</b>	F-5-AW	3/4" (19 mm) CP Spud Coupling
	<b>0306140</b>	F-5-AU	1-1/4" (32 mm) CP Spud Coupling
	<b>0306146</b>	F-5-AT	1-1/2" (38 mm) CP Spud Coupling
13A.	<b>SEE SLIP JOINT GASKETS AND RINGS TABLE BELOW</b>		
14.	<b>0308676</b>	H-550	CP Stop Coupling
15.	<b>0308801</b>	H-551-A	CP Adjustable Tailpiece 2-1/16" (52 mm) long
16A.	<b>5308696</b>	H-553	O-ring — 24 per package
16B.	<b>5308381</b>	H-552	Locking ring — 12 per package
17.	<b>3308386</b>	H-700-A	1" (25 mm) Screwdriver Bak-Chek® Stop CP — complete
	<b>3308384</b>	H-700-A	3/4" (19 mm) Screwdriver Bak-Chek® Stop CP — complete
18.	<b>3308853</b>	H-541-A	Control Stop Repair Kit † 3/4" H-600/H-540 only
	<b>3308856</b>	H-543-A	Control Stop Repair Kit †
19.	<b>0308612</b>	H-622	CP Bonnet †
	<b>0308843</b>	H-577	CP Bonnet 3/4" H-600/H-540 only — <b>DISCONTINUED</b> †
20.	<b>3308772</b>	H-1010-A	Vandal Resistant Control Stop Cap Assembly†
	<b>3308790</b>	H-1009-A	Vandal Resistant Control Stop Cap Assembly†
21.	<b>3325816</b>	EBV-1019-A	3/4" (19 mm) Decorative Stop Cap
	<b>3308866</b>	H-574	1" (25 mm) Decorative Stop Cap

## ACCESSORIES

22.	<b>0325107</b>	EBV-91	Trimpot Adjustment Screwdriver
23.	<b>0305823</b>	EBV-22	Disposable Strap Wrench

† For use w/H-700-A 1" & 3/4" and H-600-A 1" screwdriver Bak-Chek® control stops, also marked with Quiet Stop II

‡ For use w/H-600-A 3/4" urinal screwdriver Bak-Chek® control stops, also marked with Quiet Stop II.

## ITEM 13A. SLIP JOINT GASKETS AND RINGS

Size	Code No.	Part No.	Description
1-1/2"	<b>5306058</b>	F-3	Red Friction Ring
	<b>5322001</b>	VBF-5	Black Slip Joint Gasket
	<b>0319086/5319086</b>	S-30	Flexible Seat
	<b>0319079</b>	S-21	Rigid Seat (rubber over brass)
1-1/2" x 1-1/4"	<b>0396062</b>	F-105	Slip Joint Gasket — Rigid
1-1/4"	<b>5306057</b>	F-3	Red Friction Ring
	<b>5322176</b>	VBF-5	Black Slip Joint Gasket
	<b>0307052/5307052</b>	G-21	Rigid Seat (rubber over brass)
1"	<b>5306056</b>	F-3	Red Friction Ring
	<b>5306115</b>	F-5	Black Slip Joint Gasket
3/4"	<b>5306055</b>	F-3	Red Friction Ring
	<b>5306113</b>	F-5	Black Slip Joint Gasket

## Optima® Flushometer

### ELECTRONIC MODULE ASSEMBLY CHART

The electronic and optical improvements of the G2 Optima Plus® have been incorporated into the electronic modules for use with older Optima Plus products.

Optima Plus® modules can be identified by color.

Old style modules are black and have a wire that runs along the side of the unit.

G2 modules are blue and have a wire only on the back of the unit.

There are now only two electronic module assembly variations for use with older Optima Plus valves:

EBV-146-A-U      Urinal  
EBV-146-A-C      Water closet

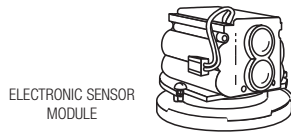
This chart cross references the part numbers and code numbers of our new electronic modules over from our old module numbers.

The modules include the solenoid, inner cover and electronic module.

These modules are for use with older Optima Plus and Regal Pro® Optima Plus® valves only.

Code No.	Use Part No.	Description	To Replace Old Part No.
0325177	EBV-146-A-U	Electronic — 0.5 gpf/1.9 Lpf Urinal Module	EBV-26-A-U-0.5
0325177	EBV-146-A-U	Electronic — 1.0 gpf/3.8 Lpf Urinal Module	EBV-26-A-U-1.0
0325177	EBV-146-A-U	Electronic — 1.5 gpf/5.7 Lpf Urinal Module	EBV-26-A-U-1.5
0325177	EBV-146-A-U	Electronic — 3.5 gpf/13.2 Lpf Urinal Module	EBV-26-A-U-3.5
0325176	EBV-146-A-C	Electronic — 1.6 gpf/6.0 Lpf Closet Module	EBV-26-A-C-1.6
0325176	EBV-146-A-C	Electronic — 2.4 gpf/9.0 Lpf Closet Module	EBV-26-A-C-2.4
0325176	EBV-146-A-C	Electronic — 3.5 gpf/13.2 Lpf Closet Module	EBV-26-A-C-3.5
0325176	EBV-146-A-C	Electronic — 4.5 gpf/17.0 Lpf Closet Module	EBV-26-A-C-4.5

Note: EBV-26-A modules are no longer available. Use the EBV-146-A-U or EBV-146-A-C module shown.

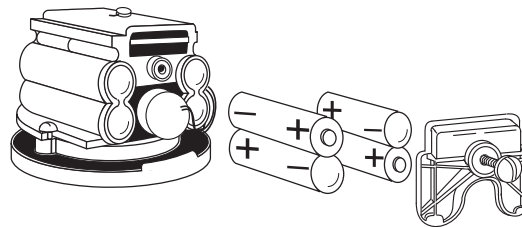


### BATTERY REPLACEMENT

When Optima Plus has approximately 4,000 flushes left, the same red light that appears at start-up will flash four (4) times quickly whenever an object is detected. When this occurs, we recommend changing the batteries. On Optima Plus, shut off water and relieve pressure.

Separate locking ring, cover and diaphragm from electronic sensor module.

Loosen retaining screw on battery compartment door and remove battery compartment door. Install four (4) AA batteries exactly as illustrated. Install battery compartment door and secure with retaining screw. Make certain that battery compartment door is fully compressed against gasket to provide a seal; do not overtighten.



### FLEX TUBE DIAPHRAGM ASSEMBLY

In early 2003 Sloan introduced the flex tube diaphragm kit into the Optima Plus. This design completely replaced the old Optima Plus diaphragm kit that featured the metal shaft with the quad Ring. This change further improved the reliability of the Optima Plus as it replaced a wearable dynamic seal (the Quad Ring) with a non-moving static O-ring seal.

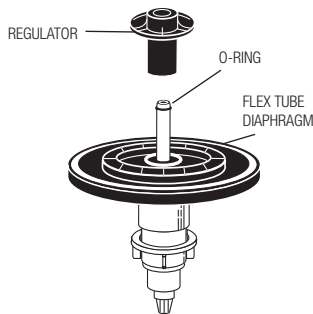
The flex tube diaphragm kit also features Sloan's exclusive dual-filter diaphragm. The dual-filter diaphragm helps to protect the valve from water-borne sediment that can cause the valve to stick open and run on. The dual-filter diaphragm is also made from Sloan's Permex® synthetic rubber material for resistance against chloramines and other water treatment chemicals.

**The flex tube diaphragm can be used to replace all generations of Sloan Optima Plus® diaphragm kits. The same flex tube diaphragm kits are used in the G2 Optima Plus® valve.**



# Optima® Flushometer

## FLEX TUBE DIAPHRAGM KITS

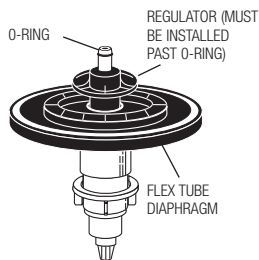


Code No.	Description
5325056	O-ring – 6 per package

Code No.	Use Part No.	Description	Color*	To Replace Old Part No.
3325090	EBV-1025-A	URINAL	GREEN	— 0.125 gpf/0.25 Lpf
3325003	EBV-1023-A	URINAL	GREEN	EBV-32-A-U-0.5 (0.5 gpf/1.9 Lpf <sup>†</sup> )
3325000	EBV-1022-A	URINAL	GREEN	EBV-32-A-U-1.0 (1.0 gpf/3.8 Lpf <sup>†</sup> )
3325000	EBV-1022-A	URINAL	BLACK	EBV-32-A-U-1.5 (1.5 gpf/5.7 Lpf <sup>†</sup> )
3325001	EBV-1020-A	URINAL	WHITE	EBV-20-A-U-3.5 (3.5 gpf/13.2 Lpf <sup>†</sup> )
3325031	EBV-1024-A	CLOSET	GREEN	— 1.28 gpf/4.8 Lpf
3325001	EBV-1020-A	CLOSET	GREEN	EBV-10-A-C-1.6 (1.6 gpf/6.0 Lpf <sup>†</sup> )
3325014	EBV-1021-A	CLOSET	BLUE	EBV-10-A-C-2.4 (2.4 gpf/9.0 Lpf)
3325001	EBV-1020-A	CLOSET	WHITE	EBV-10-A-C-3.5 (3.5 gpf/13.2 Lpf <sup>†</sup> )
3325001	EBV-1020-A	CLOSET	WHITE	EBV-10-A-C-4.5 (4.5 gpf/17.0 Lpf <sup>‡</sup> )

† The EBV-1020-A and EBV-1022-A kits are supplied with multiple regulators.  
 ‡ A 0.5 gpf (1.9 Lpf) urinal kit can be converted to a 1.0 gpf (3.8 Lpf) by cutting and removing the smooth A-164 flow ring from the guide.  
 § For a 4.5 gpf (17.0 Lpf) water closet flush, use the EBV-1020-A kit with the white regulator, and cut and remove the A-164 flow ring from the guide.  
 \* Color of regulator to be used with flex tube diaphragm to obtain the listed flush volume.

## REGULATORS



The flush volume of the flex tube diaphragm kit is controlled by the regulator. Regulators are identified by color. Some flex tube diaphragm kits are supplied with multiple regulators. The installer must make sure the proper regulator is used when installing the flex tube diaphragm kit.

### REGULATOR (Sold 6 per package)

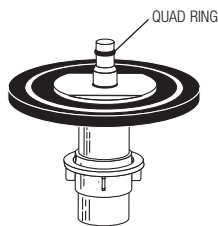
Code No.	Part No.	Description	Regulator Color
5325122	EBV-95	Urinal-0.5 gpf/1.9 Lpf	GREEN
5325122	EBV-95	Urinal-1.0 gpf/3.8 Lpf	GREEN
5325129	EBV-102-2	Urinal-1.5 gpf/5.7 Lpf	BLACK
5325130	EBV-102-1	Urinal-3.5 gpf/13.2 Lpf	WHITE
5325122	EBV-95	Closet-1.28 gpf/4.8 Lpf	GREEN
5325122	EBV-95	Closet-1.6 gpf/6.0 Lpf	GREEN
5325130	EBV-102-1	Closet-3.5 gpf/13.2 Lpf	WHITE
5325128	EBV-101	Closet-2.4 gpf/9.0 Lpf	BLUE

The EBV-1020-A and EBV-1022-A kits are supplied with multiple flush volume regulators. The installer must use the correct regulator when installing the kit.

## OLD STYLE DIAPHRAGM INSIDE PARTS



The 5325813 Quad Ring is still available.



Code No.	Part No.	Description
5325813	EBV-18	Quad Ring – 12 per package

**OLD STYLE KITS ABOVE ARE OBSOLETE. SEE CHART FOR REPLACEMENT.**



**Optima® Flushometer**

(All Optima products manufactured prior to May, 2003)

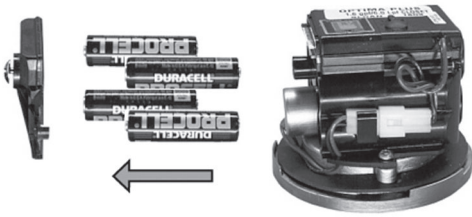
**SOLENOID REPLACEMENT**



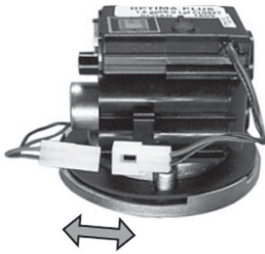
Code No.	Part No.	Description
3325462	EBV-144-A	Solenoid operator

For use with black Optima Plus® EBV-26-A modules only (produced 1992-2003).  
For G2 Optima Plus® modules (identified by a blue module) use the EBV-136-A solenoid.

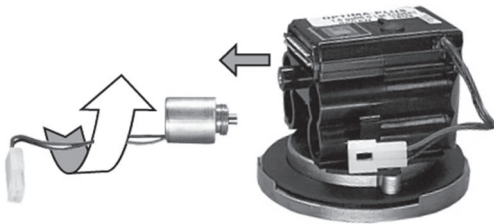
1. Remove battery cover and batteries from existing sensor module.



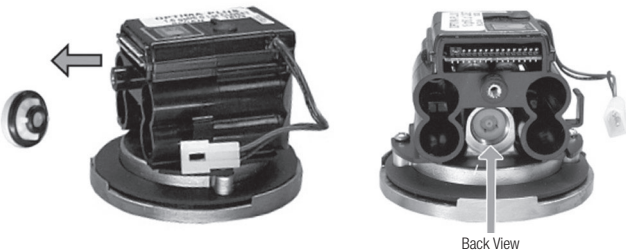
2. Disconnect the white plastic connector that connects the black and red wires on the side of the module.



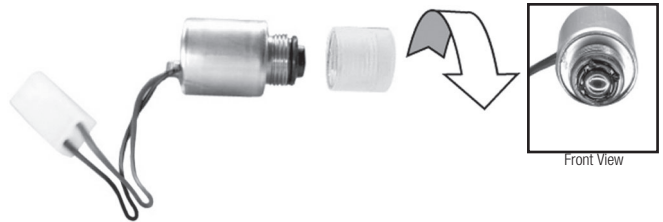
3. Unscrew (counterclockwise) the existing solenoid valve from the base plate.



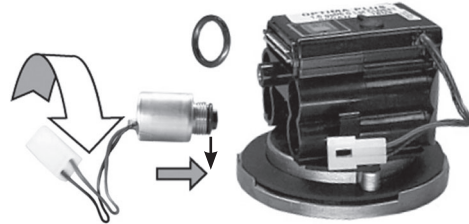
4. Remove white plastic seat and O-rings that are located inside the housing.



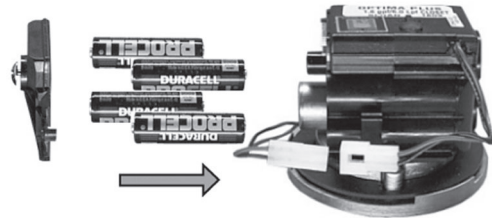
5. Remove clear plastic housing from the threaded end of new operator by unscrewing (counterclockwise). It is normal to find water inside this housing.



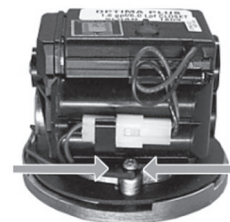
6. Make sure O-ring is installed on the gray housing of the new operator. Install solenoid operator by threading it (clockwise) into the housing. Tighten with fingers beyond just snug.



7. Reinstall batteries in the correct position and reattach battery door.



8. Reconnect the white plastic connectors on the side of the module. Slide the white connector into the clip to secure. Tuck wiring in close to module. If valve runs, tighten solenoid further.



## Optima® Flushometer

### TROUBLESHOOTING GUIDE

**IMPORTANT:** The OPTIMA PLUS® flushometer is engineered for quiet operation. Excessive water flow creates noise, while too little water flow may not satisfy the needs of the fixture. Proper adjustment is made when plumbing fixture is cleansed after each flush without splashing water out from the lip AND a quiet flushing cycle is achieved.

Never open Control Stop to where the flow from the valve exceeds the flow capability of the fixture. In the event of a valve failure, the fixture must be able to accommodate a continuous flow from the valve.

**ATTENTION INSTALLERS:** With the exception of the control stop inlet, DO NOT USE pipe sealant or plumbing grease on any valve component or coupling! To protect the chrome or special finish of Sloan flushometers, DO NOT USE toothed tools to install or service these valves. Use our A-50 Super-Wrench™ or other smooth-jawed wrench to secure couplings. Regulations for low consumption fixtures (1.6 gpf/6.0 Lpf closets and 1.0 gpf/3.8 Lpf urinals) prohibit use of higher flush volumes.

#### 1. Sensor flashes continuously only when user steps within range.

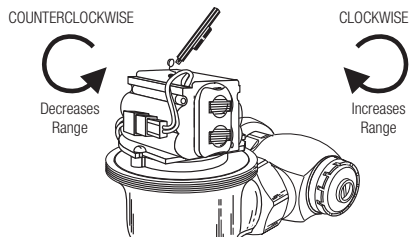
- A. Unit in start-up mode; no problem. This feature is active for the first ten (10) minutes of operation.

#### 2. Valve does not flush; sensor not picking up user.

- A. Range too short; increase the range.  
B. Optima Plus installed on a high rough-in fixture (beam is shooting over the user's head). Install the EBV-46-A beam deflector (black modules only).

#### 3. Valve does not flush; sensor picking up opposite wall or surface, or only flushes when someone walks by. Red light flashes continuously for first ten 10 minutes even with no one in front of the sensor.

- A. Range too long; shorten range.



- B. Sensor is picking up mirror or highly reflective wall or surface in front of fixture. Install Optima Plus® slightly "off-center" (2 to 5 degrees) to eliminate direct reflection off of mirror or opposite wall or surface.

#### 4. Valve does not flush even after adjustment.

- A. Range adjustment potentiometer set at full "max" or full "min" setting. Readjust potentiometer away from full "max" or "min" setting.  
B. Batteries completely used up; replace batteries.  
C. Problem with electronic sensor module; replace electronic sensor module.

#### 5. Unit flashes 4 quick times when user steps within range.

- A. Batteries low; replace batteries.

#### 6. Valve does not shut off.

- A. By-pass orifice in diaphragm is clogged with dirt or debris, or by-pass is clogged by an invisible gelatinous film due to "over-treated" water. Remove diaphragm and wash under running water. Replace with new diaphragm if cleaning does not correct the problem.  
B. Dirt or debris fouling stem or flex tube diaphragm. Remove flex tube diaphragm and wash under running water.  
C. Solenoid problem. If cleaning does not correct the problem, replace with new solenoid operator.

#### 7. Not enough water to fixture.

- A. Wrong Optima Plus flex tube diaphragm installed; i.e., 1.0 gpf urinal installed on 3.5 gpf closet fixture. Replace with proper diaphragm assembly.  
B. Enlarged by-pass in diaphragm. Replace with flex tube diaphragm kit.  
C. Control stop not adjusted properly. Readjust control stop.  
D. Inadequate volume or pressure at supply. Increase water pressure or supply (flow) to valve. Consult factory for assistance.

#### 8. Too much water to fixture.

- A. Control stop not adjusted properly. Readjust control stop.  
B. Wrong Optima Plus flex tube diaphragm installed; i.e., 3.0 gpf model installed on 1.0 or 1.5 gpf urinal fixture. Replace with proper Optima Plus diaphragm assembly.  
C. Dirt in diaphragm by-pass. Clean under running water or replace with new flex tube diaphragm.

#### 9. Men's room closet bowls unflushed.

- A. Closet being used as urinal. Angle sensor slightly off fixture centerline to detect standing person in front of fixture.

### BATTERIES

When required, replace batteries with four (4) alkaline type AA batteries.

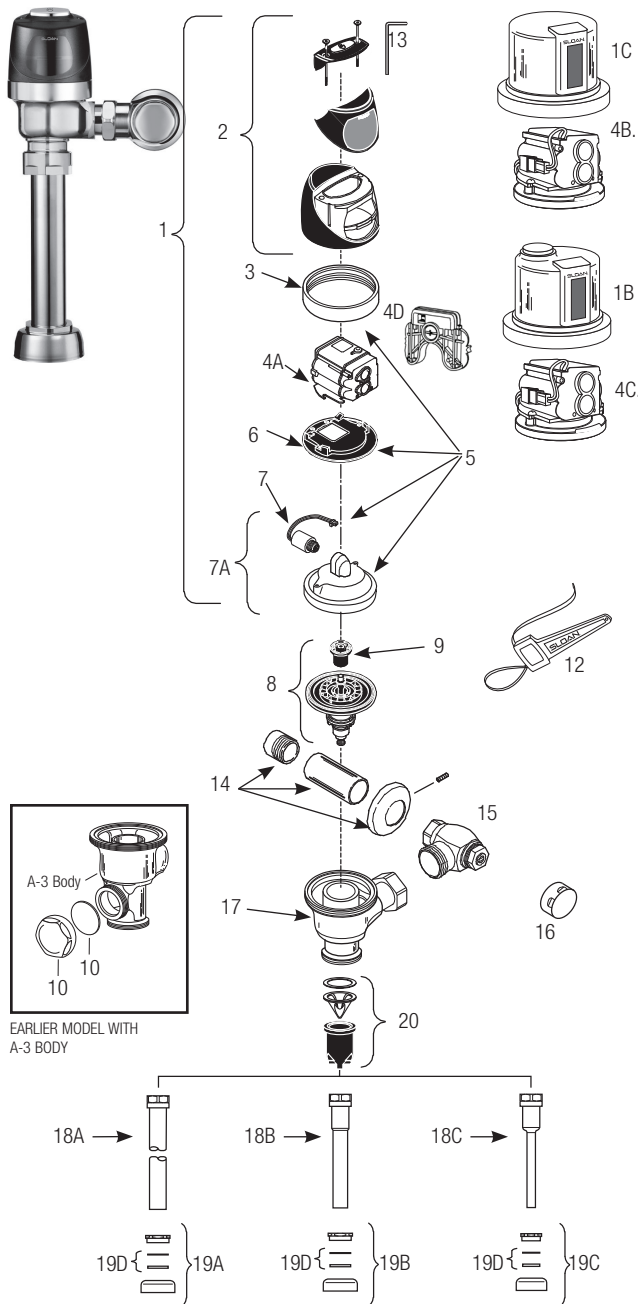
### CARE AND CLEANING OF CHROME AND SPECIAL FINISHES

**DO NOT USE** abrasive or chemical cleaners to clean flushometers as they may dull the luster and attack the chrome or special decorative finishes. Use **ONLY** mild soap and water, then wipe dry with clean cloth or towel.

While cleaning the bathroom tile, the flushometer should be protected from any splattering of cleaner. Acids and cleaning fluids can discolor or remove chrome plating.

**When assistance is required, please contact Sloan Technical Support at: 1-888-SLOAN-14 (1-888-756-2614).**

## Optima® Flushometer



EARLIER MODEL WITH A-3 BODY

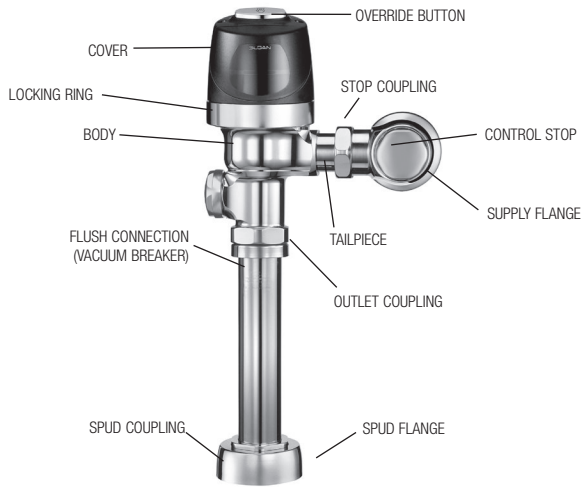
### PARTS LIST

Item No.	Code No.	Part No.	Description
1.	<b>0325298</b>	EBV-189-A	Cover/Ring/Sensor Assembly - Water Closet
	<b>0325299</b>	EBV-190-A	Cover/Ring/Sensor Assembly - Urinal
	<b>0325239</b>	EBV-198-A	Cover/Ring/Sensor Assembly - Water Closet fits Zurn† valve bodies
	<b>0325240</b>	EBV-199-A	Cover/Ring/Sensor Assembly - Urinal fits Zurn† valve bodies
1B.	<b>3325013</b>	EBV-60-A	Kit Metal Cover w/Override – Water Closet
1C.	<b>3325012</b>	EBV-55A	Kit Metal Cover Less Override- Urinal
2.	<b>0325241</b>	EBV-192-A	Cover Assembly
3.	<b>0325804PK</b>	EBV-14	Locking Ring
	<b>3325524</b>	EBV-31	Locking Ring - fits Zurn† valve bodies
4A.	<b>3325450</b>	EBV-129-A-C	Electronic Module - Water Closet
	<b>3325451</b>	EBV-129-A-U	Electronic Module - Urinal
4B.	<b>0325176</b>	EBV-146A-C	G2 Sensor Assembly-Closet
4C.	<b>0325177</b>	EBV-146A-U	G2 Sensor Assembly-Urinal
4D.	<b>33250012</b>	—	Battery Door Cover
5.	<b>3325089</b>	EBV-1010-A	Metal Inner Cover Repair Kit Includes Items Nos. 3, 5, 6 and 7
6.	<b>0325171</b>	EBV-134	Cover Rest Plate
7.	<b>3325453</b>	EBV-136-A	Solenoid
7A.	<b>3325456</b>	EBV-145-A	Inside Cover Assembly (includes solenoid EBV-136-A) Does not replace Plastic Inner Cover. Use Item No. 5
8.	<b>SEE CHART NEXT PAGE</b>		Flex Tube Diaphragm Assembly
9.	<b>SEE CHART NEXT PAGE</b>		Flush Volume Regulator
10.	<b>3325814</b>	EBV-1017	Handle Cap Kit
11.	<b>0325107</b>	EBV-91	Trimpot Adjustment Screwdriver <b>DISCONTINUED</b>
12.	<b>0305823</b>	EBV-22	Strap Wrench
13.	<b>0325159</b>	EBV-137	7/64" Hex Wrench
14.	<b>3308785</b>	H-634-AA	1" (25 mm) Sweat Solder Kit
	<b>3308788</b>	H-636-AA	3/4" (19 mm) Sweat Solder Kit
15.	<b>3308386</b>	H-700-A	1" (25 mm) Bak-Chek® Control Stop
	<b>3308384</b>	H-700-A	3/4" (19 mm) Bak-Chek® Control Stop
16.	<b>3308840</b>	H-573-A	Stop Cap
17.	<b>0305381PK</b>	EBV-36-A	Valve Body *
18A.	<b>5323007</b>	V-500-AA	1-1/2" (38 mm) x 10 1/2" (254 mm) Vacuum Breaker (Model 8110/8111) (6 pack)(10" Outlet Tube)
	<b>0323014</b>	V-500-AA	1-1/2" (38 mm) x 13 1/2" (343 mm) Vacuum Breaker (Model 8113)
	<b>0323019</b>	V-500-AA	1-1/2" (38 mm) x 23" (584 mm) Vacuum Breaker (Model 8115)
	<b>0323021</b>	V-500-AA	1-1/2" (38 mm) x 26" (660 mm) Vacuum Breaker (Model 8116)
18B.	<b>5323006</b>	V-500-AA	1-1/4" (32 mm) x 10 1/2" (254 mm) Vacuum Breaker (Model 8180) (10" Outlet Tube)
18C.	<b>5323005</b>	V-500-AA	3/4" (19 mm) x 10 1/2" (254 mm) Vacuum Breaker (Model 8186) (10" Outlet Tube)
19A.	<b>0306145</b>	F-56-A	1-1/2" Spud Coupling Assembly (Models 8110, 8115 & 8116)
19B.	<b>0306142</b>	F-55-A	1-1/4" Spud Coupling Assembly (Model 8180)
19C.	<b>0306102</b>	F-54-A	3/4" Spud Coupling Assembly (Model 8186)
19D.	<b>SEE SLIP JOINT GASKETS AND RINGS TABLE ON NEXT PAGE</b>		
20.	<b>3323192</b>	V-551-A	Vacuum Breaker Repair Kit

\* Part number varies with valve model variation; consult factory.

†The brands and/or products names referenced herein may be subject to trademark rights of their respective owners. Use of the brands and names is for identification purposes only and does not imply affiliation with or endorsement by Sloan.

## Optima® Flushometer

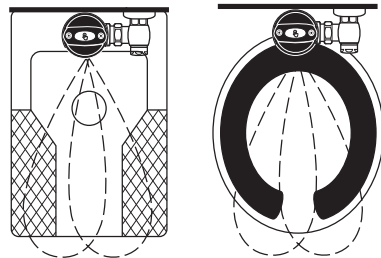
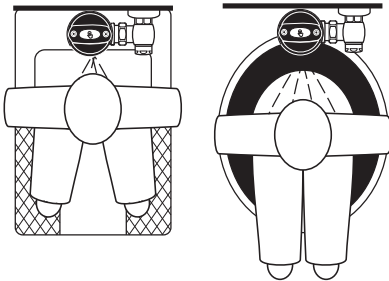


### OPERATION

A continuous, invisible light beam is emitted from the Optima Plus® Sensor.

As the user enters the beam's effective range, 22 to 42 inches (559 mm to 1067 mm) for closet installations and 15 to 30 inches (381 mm to 762 mm) for urinal installations, the beam is reflected into the Scanner Window to activate the Output Circuit. Once activated, the Output Circuit continues in a "hold" mode for as long as the user remains within the effective range of the sensor.

When the user steps away, the loss of reflected light initiates an electrical "one-time" signal that activates the flushing cycle to flush the fixture. The Circuit automatically resets and is ready for the next user.



### ITEM 8. FLEX TUBE DIAPHRAGM KIT

Code No.	Part No.	Description	Regulator Color *
3325090	EBV-1025-A	Urinal-0.125 gpf/0.25 Lpf	GREEN
3325150	EBV-1050-A	Urinal-0.5 gpf/1.9 Lpf	GREEN
3325151	EBV-1051-A	Urinal-1.0 gpf/3.8 Lpf †	GREEN
3325031	EBV-1024-A	Closet-1.28 gpf/4.8 Lpf	GREEN
3325153	EBV-1053-A	Closet-1.6 gpf/6.0 Lpf †	GREEN
3325152	EBV-1052-A	Closet-2.4 gpf/9.0 Lpf	BLUE

† The EBV-1051-A and EBV-1053-A Kits are supplied with multiple Regulators.

\* Color of regulator to be used with flex tube diaphragm to obtain the listed flush volume.

A 1.0 gpf (3.8 Lpf) Urinal kit can be converted to a 1.5 gpf (5.7 Lpf) Urinal by replacing the Green Regulator with the supplied Black Regulator.

A 1.6 gpf (6.0 Lpf) Closet kit can be converted to a 3.5 gpf (13.2 Lpf) Closet by replacing the Green Regulator with the supplied White Regulator.

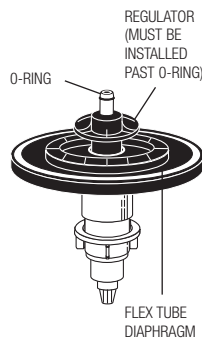
### ITEM 9. REGULATORS

The flush volume of the flex tube diaphragm kit is controlled by the regulator. Regulators are identified by color. Some flex tube diaphragm kits are supplied with multiple regulators. The installer must make sure the proper regulator is used when installing the flex tube diaphragm kit.

#### REGULATOR (SOLD 6 PER PACKAGE)

Code No.	Part No.	Description	Regulator Color
5325122	EBV-95	Urinal-0.5 gpf/1.9 Lpf	GREEN
5325122	EBV-95	Urinal-1.0 gpf/3.8 Lpf	GREEN
5325122	EBV-95	Closet-1.6 gpf/6.0 Lpf	GREEN
5325128	EBV-101	Closet-2.4 gpf/9.0 Lpf	BLUE

### FLEX TUBE DIAPHRAGM ASSEMBLY



Optima Plus Valve Models Feature Sloan's Exclusive Flex Tube Diaphragm™ for the ultimate in valve performance, reliability and Chloramine resistance.

### ITEM 19D. SLIP JOINT GASKETS AND RINGS

Size	Code No.	Part No.	Description
1-1/2"	5306058	F-3	Red Friction Ring
	5322001	VBF-5	Black Slip Joint Gasket
	0319086/5319086	S-30	Flexible Seat
	0319079	S-21	Rigid Seat (rubber over brass)
1-1/2" x 1-1/4"	0396062	F-105	Slip Joint Gasket – Rigid
1-1/4"	5306057	F-3	Red Friction Ring
	5322176	VBF-5	Black Slip Joint Gasket
	0307052/5307052	G-21	Rigid Seat (rubber over brass)
1"	5306056	F-3	Red Friction Ring
	5306115	F-5	Black Slip Joint Gasket
3/4"	5306055	F-3	Red Friction Ring
	5306113	F-5	Black Slip Joint Gasket

## Optima® Flushometer

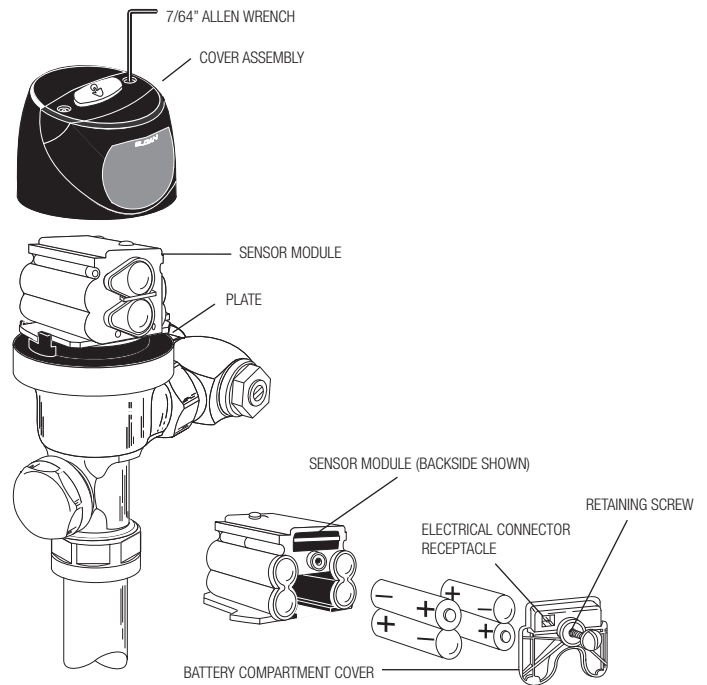
### BATTERY REPLACEMENT

When required, replace batteries with four (4) AA-Size Batteries.

**Note: Water does not have to be turned off to replace batteries.**

Loosen the two (2) Screws on top of unit. Remove the complete Cover Assembly. Lift the Sensor Module from its Plate. Unplug the Electrical Connector from Battery Compartment Cover. Loosen the Retaining Screw on Battery Compartment Cover and remove Battery Compartment Cover. Install four (4) Alkaline AA-Size Batteries **exactly** as illustrated.

Install Battery Compartment Cover and secure with Retaining Screw. Make certain that Battery Compartment Cover is fully compressed against Gasket to provide a seal; **Do Not** overtighten. Plug the Electrical Connector into the Battery Compartment Cover. Reinstall the Sensor Module onto the Plate. Tighten the two (2) Screws on top of the unit.



### RANGE ADJUSTMENT (ADJUST ONLY IF NECESSARY)

The Optima Plus has a factory set sensing range:

Water Closet Models - 22" to 42" (559 mm to 1067 mm)

Urinal Models - 15" to 30" (381 mm to 762 mm)

**The Factory setting should be satisfactory for most installations.**

If the range is too short (i.e., not picking up users) or too long (i.e., picking up opposite wall or stall door) the range can be adjusted.

**Note: Water does not have to be turned off to adjust range.**

Make sure to remove all the non-permanent targets in sensor view area. Push manual override button for 25 seconds. the Red LED in the G2 sensor starts slow blinking. Release the button during the LED blinking. The G2 will enter into distance setting mode. The setting mode will run for one (1) minute.

**!!! IMPORTANT !!!**  
**WHEN ADJUSTING RANGE FOR URINAL SENSOR, MAKE SURE TO SET-UP A PROPER TARGET IN FRONT OF URINAL SENSOR.**



## Optima® Flushometer

### TROUBLESHOOTING AND MAINTAINING THE SLOAN OPTIMA PLUS® FLUSHOMETER

**IMPORTANT:** This product contains mechanical and/or electrical components that are subject to normal wear. These components should be checked on a regular basis and replaced as needed to maintain the valve's performance.

Never open Control Stop to where the flow from the valve exceeds the flow capability of the fixture. In the event of a valve failure, the fixture must be able to accommodate a continuous flow from the valve.

**ATTENTION INSTALLERS:** With the exception of the control stop inlet, DO NOT USE pipe sealant or plumbing grease on any valve component or coupling! To protect the chrome or special finish of Sloan flushometers, DO NOT USE toothed tools to install or service these valves. Use our A-50 Super-Wrench™ or other smooth-jawed wrench to secure couplings. Regulations for low consumption fixtures (1.6 gpf/6.0 Lpf closets and 1.0 gpf/3.8 Lpf urinals) prohibit use of higher flush volumes.

#### 1. Sensor flashes continuously only when user steps within range.

- A. Unit in Start-Up mode; no problem. This feature is active for the first ten (10) minutes of operation.

#### 2. Valve does not flush; sensor not picking up user.

- A. Range too short; increase the range.

#### 3. Valve does not flush; sensor picking up opposite wall or surface, or only flushes when someone walks by. Red light flashes continuously for first 10 minutes even with no one in front of the sensor.

- A. Range too long; shorten range.

#### 4. Valve does not flush even after adjustment.

- A. Range Adjustment Potentiometer set at full "max" or full "min" setting. Readjust Potentiometer away from full "max" or "min" setting.
- B. Batteries completely used up; replace batteries.
- C. Problem with Electronic Sensor Module; replace Electronic Sensor Module.

#### 5. Unit flashes four (4) quick times when user steps within range.

- A. Batteries low; replace batteries.

#### 6. Valve does not shut off.

- A. Bypass Orifice in Diaphragm is clogged with dirt or debris, or Bypass is clogged by an invisible gelatinous film due to "over-treated" water. Remove Flex Tube Diaphragm and wash under running water.

**Note:** Size of orifice in the by-pass is of utmost importance for the proper metering of water by the valve. **DO NOT ENLARGE OR DAMAGE THIS ORIFICE.** Replace flex tube diaphragm if cleaning does not correct the problem.

- B. Dirt or debris fouling Stem or Flex Tube Diaphragm. Remove Flex Tube Diaphragm and wash under running water.
- C. O-ring on Stem of Flex Tube Diaphragm is damaged or worn. Replace O-ring if necessary.
- D. Problem with Electronic Sensor Module; replace Sensor Module.

#### 7. Not enough water to fixture.

- A. Wrong Flush Volume Regulator installed in Flex Tube Diaphragm Kit. Install the correct Regulator (see Step 6 of these instructions).
- B. Wrong Optima Plus® Diaphragm kit installed; i.e., 1 gpf. urinal installed on 3.5 gal. closet fixture. Replace with proper Optima Plus diaphragm kit.
- C. Enlarged Bypass in Diaphragm. Replace Flex Tube Diaphragm.
- D. Control Stop not adjusted properly. Readjust Control Stop.
- E. Inadequate volume or pressure at supply. Increase water pressure or supply (flow) to valve. Consult factory for assistance.

#### 8. Too much water to fixture.

- A. Wrong Flush Volume Regulator installed in Flex Tube Diaphragm Kit. Install the correct Regulator (see Step 6 of these instructions).
- B. Control Stop not adjusted properly. Readjust Control Stop.
- C. Wrong Optima Plus Diaphragm kit installed; i.e., 3.5 gpf. closet installed on 0.5 gal. urinal fixture. Replace with proper Optima Plus Diaphragm kit.
- D. Dirt in Diaphragm Bypass. Clean under running water or replace Flex Tube Diaphragm.

### CARE AND CLEANING OF CHROME AND SPECIAL FINISHES

**DO NOT USE** abrasive or chemical cleaners to clean flushometers as they may dull the luster and attack the chrome or special decorative finishes. Use **ONLY** soap and water, then wipe dry with clean cloth or towel.

While cleaning the bathroom tile, the flushometer should be protected from any splattering of cleaner. Acids and cleaning fluids can discolor or remove chrome plating.

**When assistance is required, please contact Sloan Technical Support at: 1-888-SLOAN-14 (1-888-756-2614).**

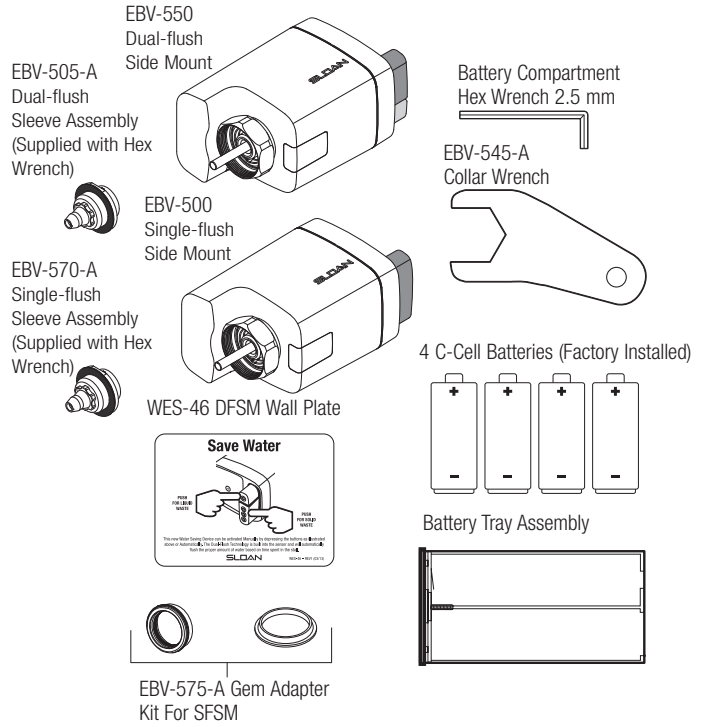
## Optima® Side Mount Flushometers Dual Flush & Single Flush

**EBV-550/Battery Powered**  
Dual-flush Side Mount

**EBV-500/Battery Powered**  
Single-flush Side Mount



Battery-powered, sensor-activated, retrofit unit for exposed, dual-flush and single-flush closet and single-flush urinal.



## Optima® Side Mount Flushometers Dual Flush & Single Flush

### BATTERY REPLACEMENT

Using the supplied battery compartment hex wrench, remove battery compartment from Side Mount unit.

Remove batteries from compartment tray.

Install 4 new C-cell batteries into compartment tray (note the position of batteries in tray), and reinstall compartment tray into the Side Mount unit.

The Side Mount unit comes preset from the factory. If special circumstances require adjustment of the activation distance, please contact Sloan.

The Side Mount unit calibrates upon power up, GREEN and RED LEDs flash once. The unit will actuate a flush followed by 5 flashes of GREEN LED. The unit will then perform calibration, a 20 second sequence, where the GREEN LED flashes quickly. Finally the unit will start normal operation.

Manual flush button on Side Mount unit allows manual activation, when desired.

### MODE CHANGE (SINGLE-FLUSH UNITS ONLY)

Units are preset at factory in water closet mode.

To change unit from water closet to urinal mode, complete the following:

Press and hold the True Mechanical Override (TMO) button for 20-30 seconds.

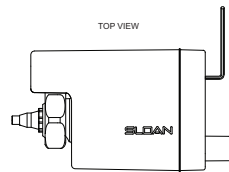
The unit will exhibit an LED flash pattern as follows:

- For approximately the first 10 seconds there will be no LED flashing
- For approximately 10-20 seconds, both the RED and GREEN LEDs will produce short simultaneous flashes
- For approximately 20-30 seconds, the GREEN LED will flash

Release the TMO button during the 20-30 seconds when both the RED and GREEN LEDs produce SHORT simultaneous flashes and remove non-permanent items from view of the sensor. The Side Mount unit will now be in urinal mode\* and begin calibration.

To change back to closet mode, press and hold the TMO button for 30-40 seconds. Release when RED and GREEN LEDs produce short simultaneous flashes. The Side Mount unit will now be in close mode and begin calibration.

\* Urinal mode provides a shorter sensor range and 1-2 second flush delay.



### TROUBLESHOOTING GUIDE

#### 1. RED LED continuously flashes when target is present.

The battery is low. Refer to battery replacement instructions.

#### 2. RED LED flashes 4 times after a target has been present for 8 seconds. RED LED flashes once when a target is NOT present.

The battery is low. Refer to battery replacement instructions.

#### 3. RED LED flashes continuously after calibration.

The unit has failed to calibrate. The optics window is obscured. Remove power, clean window and remove any objects (barrels, toolboxes, etc.) within close proximity of unit. Repeat power-up sequence (See BATTERY REPLACEMENT for power-up sequence). If unit fails, consult Sloan Technical Support.

### CARE AND CLEANING OF CHROME AND SPECIAL FINISHES

**DO NOT USE** abrasive or chemical cleaners (including chlorine bleach) to clean side mount unit or flushometer that may dull the luster and attack the finish. Use **ONLY** mild soap and water, then wipe dry with clean cloth or towel.

While cleaning the bathroom tile, protect the side mount unit from any splattering of cleaner. Acids and cleaning fluids can discolor or remove chrome plating.

**DO NOT USE** abrasive or chemical cleaners (including chlorine bleach) to clean sensor window that may distort or ruin the sensor.

**When assistance is required, please contact**

**Sloan Technical Support at: 1-888-SLOAN-14 (1-888-756-2614).**

---

## SMOOTH® Side-mount Flushometer

### Single-flush

---

Battery powered, sensor activated retrofit unit for exposed closet and urinal flushometers.



1

---

#### PARTS LIST

Item			
No.	Code No.	Part No.	Description
1.	3325201	EBV-200-A	Side Mount Operator for Water Closets (Toilets) and Urinals

---

## SMOOTH® Side-mount Flushometer

### Single-flush

#### ADJUSTMENT PROCEDURES

**Note:** To make the adjustments indicated below, power to unit(s) must be turned off for ten (10) seconds. Mode selection is available within one (1) hour after every power up condition (reinstalling batteries).

##### Mode A

The SMOOTH unit may be reset to normal range by fully pressing and holding in the Override Handle until the Red LED light in the Sensor Window illuminates. Then immediately release the Override Handle.

##### Mode B

The SMOOTH unit may be set to reduced range for closet applications by pressing and holding in the Override Handle until the Red LED light in the Sensor Window flashes a slow long blinking light. Then immediately release the Override Handle.

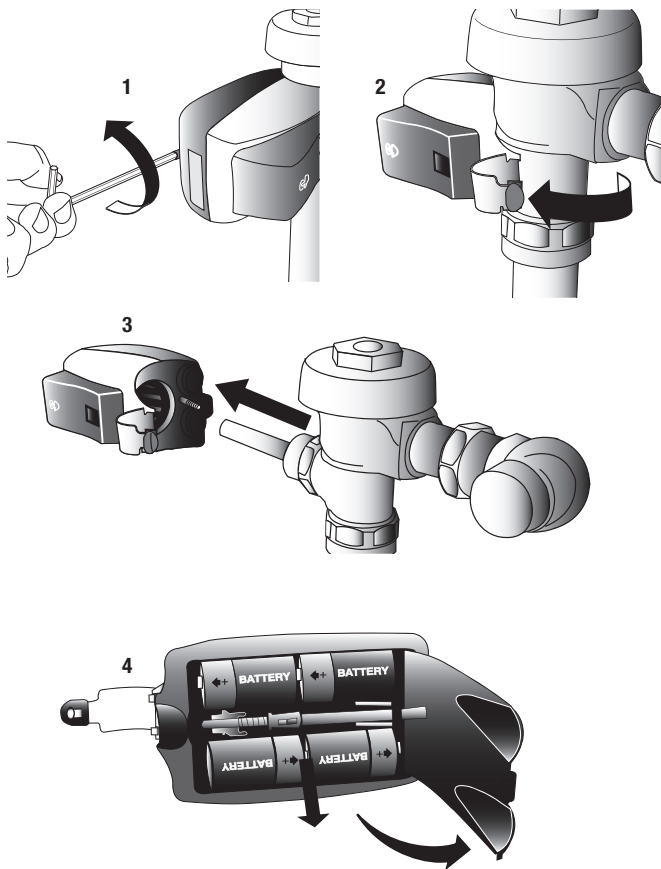
##### Mode C

The SMOOTH unit may be set to reduced range by pressing and holding in the Override Handle until the Red LED light in the Sensor Window displays a rapid on and off blinking light. Then immediately release the Override Handle.

#### BATTERIES

When required, replace batteries with four (4) type C batteries.

1. Release Mounting Clamp by turning the Mounting Screw counterclockwise with a 1/8" hex wrench.
2. Swing the Mounting Clamp into the open position.
3. Slide the unit from the flushometer body.
4. Open Battery Compartment Door and remove old batteries from unit. Replace batteries with 4 (four) new C-size batteries. Close Battery Compartment Door. Reinstall unit.



#### TROUBLESHOOTING GUIDE

##### 1. Red LED light in the sensor window flashes twice as fast as normal.

- A. When a user enters the sensor's effective range and the Red LED light in the sensor window flashes twice as fast as normal, the batteries need replacement. Refer to the Battery Replacement Instructions.

#### CARE AND CLEANING OF CHROME AND SPECIAL FINISHES

**DO NOT USE** abrasive or chemical cleaners to clean flushometers as they may dull the luster and attack the chrome or special decorative finishes. Use **ONLY** mild soap and water, then wipe dry with clean cloth or towel.

While cleaning the bathroom tile, the flushometer should be protected from any splattering of cleaner. Acids and cleaning fluids can discolor or remove chrome plating.

**When assistance is required, please contact Sloan Technical Support at: 1-888-SLOAN-14 (1-888-756-2614).**



## SMO Side Mount Flushometer Single-flush

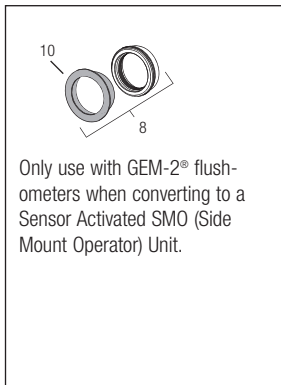
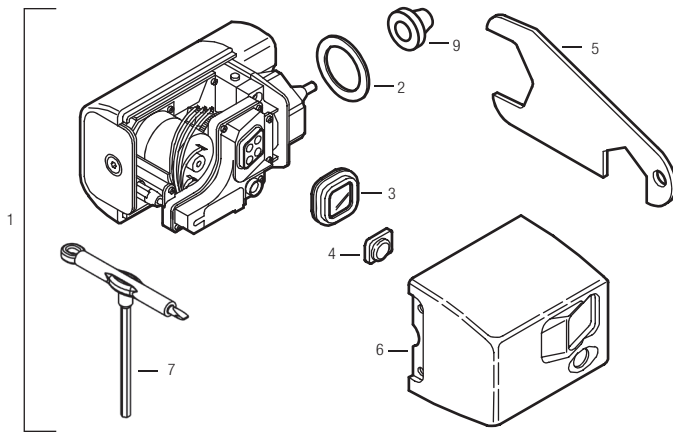
Battery powered, sensor activated retrofit unit for exposed closet and urinal flushometers.



### PARTS LIST

Item No.	Code No.	Part No.	Description
1.	<b>0325105</b>	EBV-89-A	Side Mount Operator for Water Closets (Toilets) and Urinals
2.	<b>0301139</b>	A-31	Gasket
3.	<b>0325148</b>	EBV-118	Lens
4.	<b>0325153</b>	EBV-123	Button repair kit
5.	<b>0325150</b>	EBV-120	Wrench
6.	<b>0325157</b>	EBV-127	Metal Cover Closet w/OR
7.	<b>0325149</b>	EBV-119	Allen Wrench 3mm security hex
8.	<b>0325192</b>	EBV-157-A	Handle Adapter Kit (Includes Green "L" Gasket) for GEM-2®
9.	<b>5302297</b>	B-39	Handle Seal (pack of 12)
10.	<b>5325428</b>	EBV-584	Gasket (Green) GEM SMO (pack of 5)

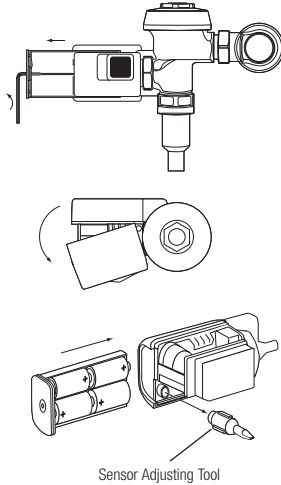
Note: Battery door screw is not an available part. Use M4-0.7 x 12 mm screw as suitable replacement.



# SMO Side Mount Flushometer Single-flush

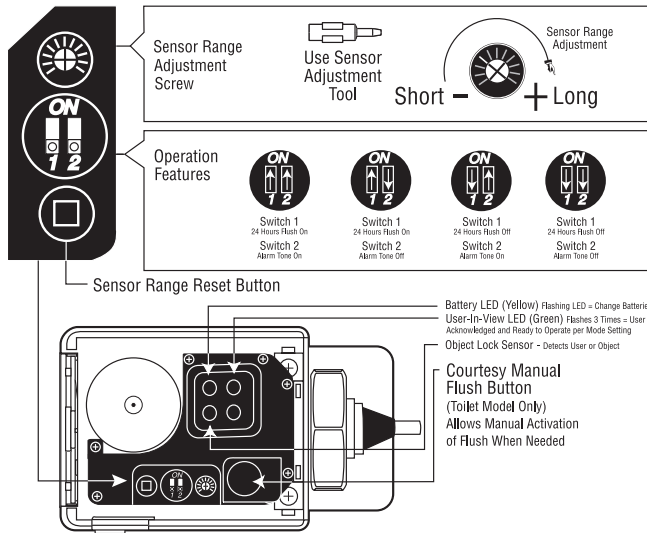
## TO CHANGE ACTIVATION DISTANCE FOR THE OBJECT LOCK SENSOR

1. Remove battery compartment tray as shown at left.
2. Remove cover as shown at left.
3. Remove sensor adjuster tool as shown at left. Replace battery compartment in Side Mount Operator to activate unit.
4. Press sensor range reset button as shown below (the green L.E.D. will flash continuously when it has an object in view for the seven minute reset period).
5. Stand at desired activation distance.
6. Use sensor adjuster tool (see below) and turn Distance Adjustment Screw all the way down and then turn slowly up until green L.E.D. begins to flash.
7. Ensure Object Lock Sensor is not detecting stall door or wall by closing door, stepping out of sensor path and making sure green L.E.D. is not flashing. If sensor locks onto door or wall, unit will not flush properly. Shorten activation distance.
8. Remove battery compartment, replace sensor adjuster tool and cover. Replace battery compartment tray to reactivate Side Mount Operator unit.
9. After 7 minute start-up sequence, the green L.E.D. will flash only 3 times when a user is in view (after a 5 second delay).



## TROUBLESHOOTING GUIDE

- 1. Green L.E.D. (light) flashes 3 times when there are no users**
  - A. Front of Object Lock Sensor is covered or Object Lock Sensor is set too far out, registering the opposite wall or door as a user. Remove item covering sensor or adjust Object Lock Sensor activation distance. (See section – Adjusting Your Side Mount Operator)
- 2. Green L.E.D. (light) flashes continuously when Object Lock Sensor is activated by a user**
  - A. Side Mount Operator unit is in 7 minute start up mode (when first activated) or Sensor Range Reset Button has been depressed. Green L.E.D. (light) will flash only 3 times acknowledging a user is in view after the 7 minute start up mode
- 3. Orange L.E.D. (light) flashes**
  - A. Batteries need replacing. Replace batteries.
- 4. Not enough water to fixture or too much water to fixture**
  - A. Diaphragm damaged or valve control stop improperly adjusted. Replace diaphragm and/or adjust valve control stop
- 5. Valve will not operate**
  - A. Object Lock Sensor range set too close to Side Mount Operator, batteries are dead, or water supply is turned off. Adjust Object Lock Sensor – Replace batteries – Turn water on.
- 6. Valve does not shut off**
  - A. Dirt or debris preventing diaphragm from functioning properly. Remove dirt or debris, consult valve manufacturer's directions.
- 7. Valve does not flush even after Object Lock Sensor has been adjusted**
  - A. Dead batteries. Replace batteries.



## CARE AND CLEANING OF CHROME AND SPECIAL FINISHES

**DO NOT USE** abrasive or chemical cleaners to clean flushometers as they may dull the luster and attack the chrome or special decorative finishes. Use **ONLY** mild soap and water, then wipe dry with clean cloth or towel.

While cleaning the bathroom tile, the flushometer should be protected from any splattering of cleaner. Acids and cleaning fluids can discolor or remove chrome plating.

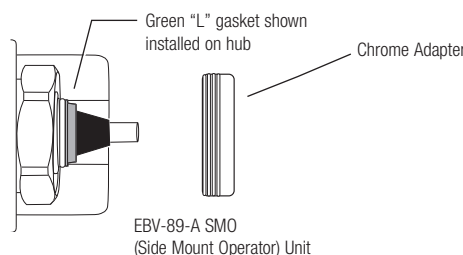
**When assistance is required, please contact Sloan Technical Support at: 1-888-SLOAN-14 (1-888-756-2614).**

## Installation Instructions for GEM•2®

### EBV-157-A Handle Adapter Kit

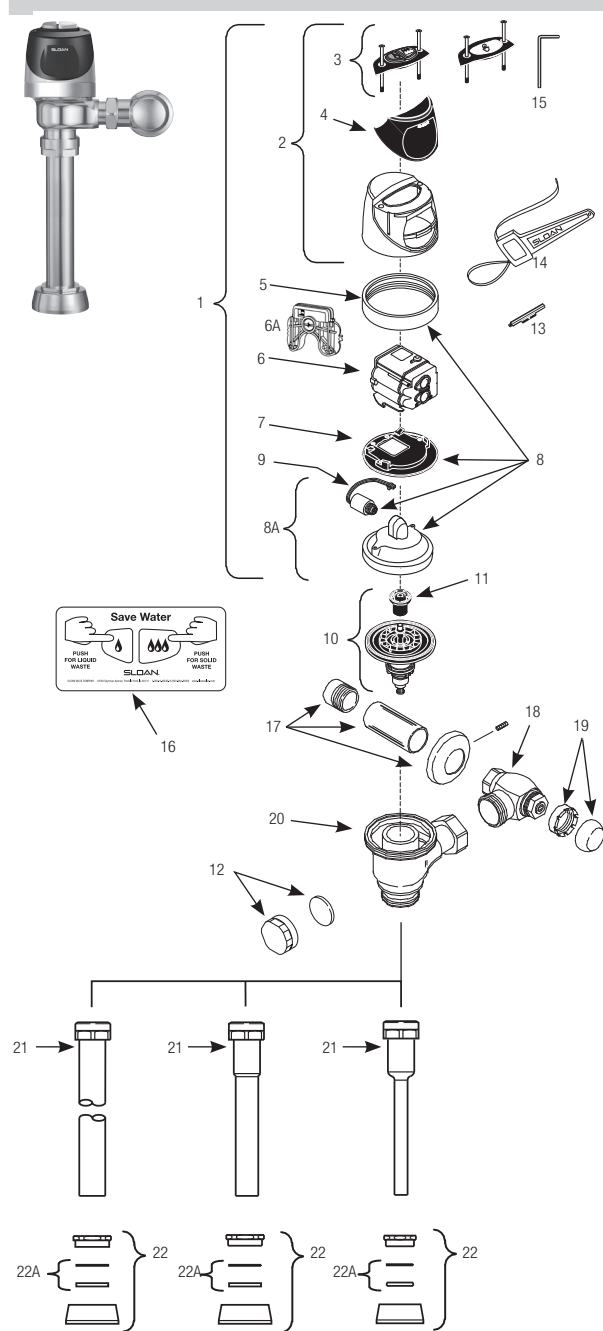
When converting a GEM•2® manual flushometer to a Sensor Activated flushometer with an SMO (Side Mount Operator), an EBV-157-A Handle Adapter kit must be used.

1. Remove handle assembly from flushometer.
2. Place Green "L" gasket over the hub in the SMO connection area.



# ECOS® Flushometers

## Single-flush and Dual-flush



### FLEX TUBE DIAPHRAGM ASSEMBLY



Sloan ECOS® Electronic Valve Models Feature Sloan's Exclusive flex tube diaphragm™ for the ultimate in valve performance, reliability and chloramine resistance.

#### Items Included with Complete Sloan ECOS Valves Only

21A.	<b>3393002</b>	V-600-AA	1½" (38 mm) x 10 ½" (254 mm)
			Vacuum Breaker (Model 8110) (10" Outlet Tube)
	<b>0323044</b>	V-600-AA	1½" (38 mm) x 23" (584 mm)
			Vacuum Breaker (Model 8115)
	<b>0393049</b>	V-600-AA	1½" (38 mm) x 26" (660 mm)
			Vacuum Breaker (Model 8116)
21B.	<b>0323117</b>	V-600-AA	¾" (20 mm) x 10 ½" (254 mm)
			Vac Breaker (Model 8186) (10" Outlet Tube)
	<b>0393039</b>	V-600-AA	1¼" (31 mm) x 13½" (342 mm)
			Vac Breaker
22A.	<b>0306146</b>	F-5-AT	1½" Spud Coupling Assembly (Water Closet Models)
22B.	<b>0306125PK</b>	F-5-AW	¾" Spud Coupling Assembly (Urinal Models)

Item.	Code.	Part #	Description
-------	-------	--------	-------------

#### Items Included with RESS Retrofit and Complete Sloan ECOS Flush Valves

1.	<b>0372055</b>	WES-55-A	Cover/Ring/Sensor Assembly - Dual Flush WC
	<b>0325160</b>	EBV-138-A	Cover/Ring/Sensor Assembly - 1.6 & 1.28 gpf Single Flush WC
	—	EBV-378-A	Cover/Ring/Sensor Assembly - 1.1 gpf Single Flush WC
	<b>0325161</b>	EBV-139-A	Cover/Ring/Sensor Assembly - 1.0 gpf Single Flush Urinal
	<b>0325341</b>	EBV-341-A	Cover/Ring/Sensor Assembly - 0.5 gpf Single Flush
	<b>0325329</b>	EBV-329-A	Cover/Ring/Sensor Assembly - 0.25 gpf Single Flush
	<b>0325273</b>	EBV-324-A	Cover/Ring/Sensor Assembly - 0.125 gpf Single Flush
	<b>0372060</b>	WES-60-A	Cover/Ring/Sensor Assembly Dual Flush WC-fits Zurn* valve bodies
	<b>0325166</b>	EBV-149-A	Cover/Ring/Sensor Assembly 1.6 & 1.28 gpf Single Flush Water Closet-fits Zurn* valve bodies
	<b>0325167</b>	EBV-150-A	Cover/Ring/Sensor Assembly Single Flush Urinal fits Zurn* valve bodies
	<b>33720003</b>	EBV196A-BT‡	Cover/Ring/Sensor Assembly - 1.6/1.1 gpf Dual Flush WC
	<b>33720002</b>	EBV1054A-BT‡	Cover/Ring/Sensor Assembly - 1.1/1.28 gpf Dual Flush WC
2.	<b>0325246</b>	EBV-191-A	Cover Assembly - Dual Flush
	<b>0325168</b>	EBV-142-A	Cover Assembly - Single Flush
3A.	<b>0372033</b>	WES-23-A	Button Cover Assembly with Screws - Dual Flush
	<b>0325172</b>	EBV-130-A	Button Cover Assembly with Screws - Single Flush
	<b>0325242</b>	EBV-182-A	Button Cover Assembly L/OR w/ Screws
3B.	<b>0325170</b>	EBV-132-A	Screws (2) and Hex Wrench Only
4.	<b>0325169</b>	EBV-131	Lens Window Cover
5.	<b>0325210PK</b>	EBV-168	Locking Ring
	<b>3325524</b>	EBV-31-A	Locking Ring - fits Zurn* valve bodies
6.	<b>0325247</b>	EBV-196-A	Module - ECOS Electronic 1.6/1.1 gpf Dual Flush
	—	EBV-383-A	Module - ECOS Electronic 1.1 gpf Single Flush
	<b>3325450</b>	EBV-129-AC	Module - ECOS Electronic 1.6 & 1.28 gpf Single Flush
	<b>0325395</b>	EBV-386 AU	Single Flush 0.125 gpf/0.5 Lpf
	<b>0325396</b>	EBV-387 AU	Single Flush 0.25 gpf/1.0 Lpf
	<b>3325451</b>	EBV-129-AU	Module - ECOS Electronic 0.5 & 1.0 gpf Single Flush
	<b>33250045</b>	EBV-386A-BT‡	Module -ECOS Electronic Urinal 0.125 gpf
	<b>33250046</b>	EBV-387A-BT‡	Module -ECOS Electronic Urinal 0.25 gpf
	<b>33250049</b>	EBV-383A-BT‡	Module -ECOS Electronic Water Closet 1.1 gpf
6A.	<b>33250011</b>	—	Battery Door Replacement
7	<b>0325171</b>	EBV-134	Cover Rest Plate
8.	<b>3325089</b>	EBV-1010-A	Inner Cover Repair Kit (Metal)
8A.	<b>3325456</b>	EBV-145-A	Inside Cover Assembly (includes solenoid)
9.	<b>3325453</b>	EBV-136-A	Solenoid
10	†		Flex Tube Diaphragm Assembly
11.	†		Flush Volume Regulator
12.	<b>3325814</b>	EBV-1017-A	Handle Cap (RESS Retrofit Models only)
13.	<b>0325194</b>	EBV-91	Range Adjustment Tool
14.	<b>0305823</b>	EBV-22	Strap Wrench
15.	<b>0325159</b>	EBV-137	7/64" Hex Wrench
16.	<b>0372031</b>	WES-19	English Operation Instruction Plate
	—	WES-22	Spanish Operation Instruction Plate
17.	<b>3388015</b>	H-1015	Flow Control Kit (HEU Only) (Not Shown)

#### Items Included with Complete Sloan ECOS Valves Only

17A.	<b>3308782</b>	H-633-AA	1" (25 mm) Sweat Solder Kit
17B.	<b>3308788</b>	H-636-AA	¾" (20 mm) Sweat Solder Kit
18A.	<b>0388000</b>	H-700-A	1" (25 mm) Bak-Chek® Control Stop
18B.	<b>0388001</b>	H-700-A	¾" (20 mm) Bak-Chek® Control Stop
19	<b>3308797</b>	H-1010-A	Vandal Resistant Stop Cap
20.	<b>0305381PK</b>	EBV-36-A	Valve Body

The EBV-1020-A Kit is supplied with multiple Flush Volume Regulators. The installer must use the correct Regulator when installing the kit. †The brands and/or products names referenced herein may be subject to trademark rights of their respective owners. Use of the brands and names is for identification purposes only and does not imply affiliation with or endorsement by Sloan.

‡ Part No. varies with valve model variation; consult factory.

## ECOS® Flushometers

### Single-flush and Dual-flush

#### ITEM 10. FLEX TUBE DIAPHRAGM KIT SELECTION GUIDE

Code No.	Part No.	Description	Regulator Color
3325003	EBV-1023-A	0.5 gpf/1.9 Lpf Urinal	GREEN
3325031	EBV-1024-A	1.28 gpf/4.8 Lpf Closet	GREEN
3325090	EBV-1025-A	0.125 gpf/0.5 Lpf or 0.25 gpf/ 1.0 Lpf Urinal	GREEN
3325121	EBV-1028-A	1.1 gpf/4.2 Lpf Closet	GRAY

EBV-1025-A includes H-1015A Flow Control

EBV-1020-A Kit is supplied with multiple Flush Volume Regulators. The installer must use the correct Regulator when installing the kit.

EBV-1020-A 1.6 gpf also for use for DF

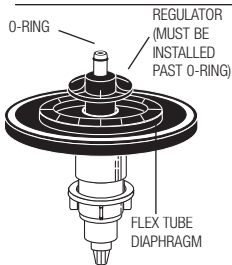
#### ITEM 11. REGULATORS

The flush volume of the flex tube diaphragm kit is controlled by the regulator. Regulators are identified by color. Some flex tube diaphragm kits are supplied with multiple regulators. The installer must make sure the proper regulator is used when installing the flex tube diaphragm kit.

#### REGULATOR (SOLD 6 PER PACKAGE)

Code No.	Part No.	Description	Regulator Color
5325122	EBV-95	Urinal-0.5 gpf/1.9 Lpf	GREEN
5325122	EBV-95	Closet-1.28 gpf/4.8 Lpf	GREEN

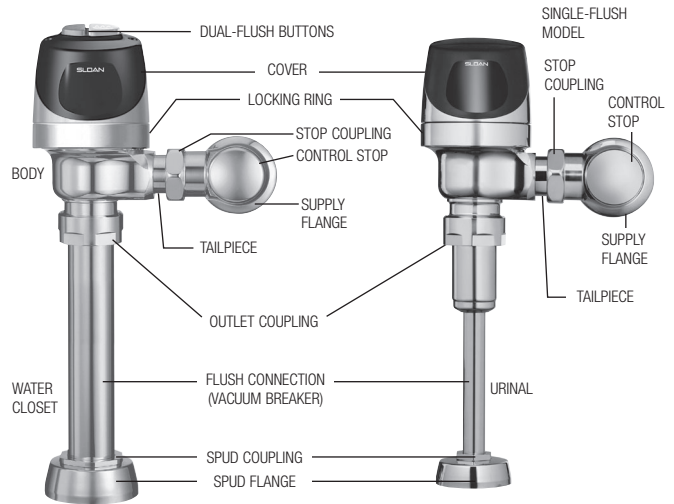
#### FLEX TUBE DIAPHRAGM ASSEMBLY



Sloan ECOS® models feature Sloan's exclusive flex tube diaphragm for the ultimate in valve performance, reliability and chloramine resistance.

#### ITEM 22A. SLIP JOINT GASKETS AND RINGS

Size	Code No.	Part No.	Description
1-1/2"	5306058	F-3	Red Friction Ring
	5322001	VBF-5	Black Slip Joint Gasket
	0319086/5319086	S-30	Flexible Seat
1-1/2" x 1-1/4"	0319079	S-21	Rigid Seat (rubber over brass)
	0396062	F-105	Slip Joint Gasket – Rigid
1-1/4"	5306057	F-3	Red Friction Ring
	5322176	VBF-5	Black Slip Joint Gasket
	0307052/5307052	G-21	Rigid Seat (rubber over brass)
1"	5306056	F-3	Red Friction Ring
	5306115	F-5	Black Slip Joint Gasket
3/4"	5306055	F-3	Red Friction Ring
	5306113	F-5	Black Slip Joint Gasket



#### OPERATION

##### Manual Operation

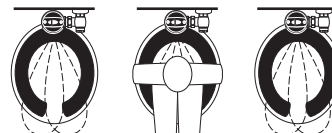
Sloan ECOS® electronic dual-flush flushometers incorporate intuitive split-button design for easy manual activation. The small button controls the reduced flush cycle (1.1 gpf/4.2 Lpf), the large button controls the full flush cycle (1.6 gpf/6.0 Lpf). Straightforward graphics alert user to proper activation. Reduced flush for liquid waste, full flush for solid waste. To further educate the user, two (2) instructional wall plates are included with each Sloan ECOS dual-flush flushometer. For single-flush operation a single button is available for user's discretion.

##### Automatic Operation

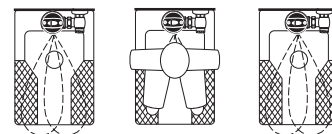
Sloan ECOS electronic flushometers can also be activated via multi-lobular infrared sensor. By detecting user presence and duration, the Sloan ECOS Smart Sense Technology™ will determine the proper flush volume for unequalled water efficiency.

1. A continuous, INVISIBLE light beam is emitted from the Sloan ECOS sensor.
2. As the user enters the beam's effective range, 22 to 42 inches (559 mm to 1067 mm) for closet installations and 15 to 30 inches (381 mm to 762 mm) for urinal installations, the beam is reflected into the scanner window to activate the output circuit. Once activated, the output circuit continues in a "hold" mode for as long as the user remains within the effective range of the sensor. For dual-flush models, if the user stays longer than 65 seconds, a full flush will automatically initiate when the user leaves. For single-flush models, once the user steps away, a full flush will automatically initiate.
3. For a dual-flush model, once a user is detected, if the user leaves in 65 seconds or less, a reduced flush will automatically initiate. The circuit automatically resets and is ready for the next user. For a single-flush model, when the user steps away, this initiates a full flush. The circuit automatically resets and is ready for the next user.

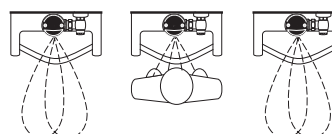
#### CLOSET



#### SQUAT TOILET



#### URINAL



## ECOS® Flushometers

### Single-flush and Dual-flush

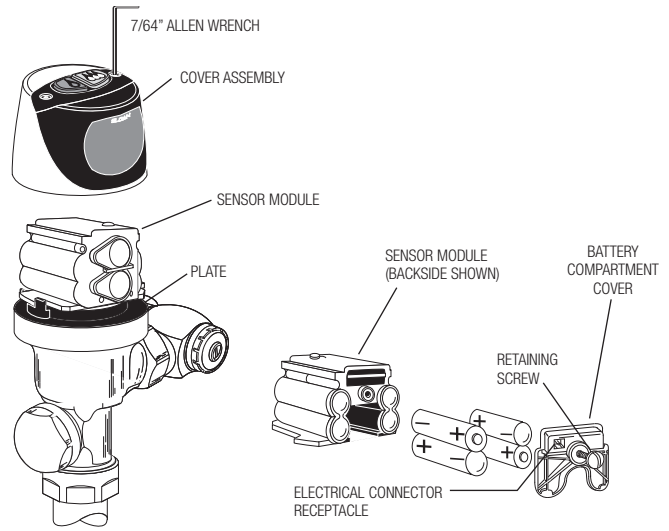
#### BATTERY REPLACEMENT

When required, replace batteries with four (4) AA-Size Batteries.

**Note: Water DOES NOT have to be turned off to replace batteries.**

Loosen the two (2) screws on top of unit. Remove the complete cover assembly. Lift the sensor module from its plate. Unplug the electrical connector from battery compartment cover. Loosen the retaining screw on battery compartment cover and remove battery compartment cover. Install four (4) alkaline type AA batteries **exactly** as illustrated at right.

Install battery compartment cover and secure with retaining screw. Make certain that battery compartment cover is fully compressed against gasket to provide a seal; **DO NOT** overtighten. Plug the electrical connector into the battery compartment cover. Reinstall the sensor module onto the plate. Reinstall the complete cover assembly onto the plate. Tighten the two (2) screws on top of the unit.



#### RANGE ADJUSTMENT (ADJUST ONLY IF NECESSARY)

The Sloan ECOS® electronic flushometer has a factory set sensing range:

Water closet models – 22" to 42" (559 mm to 1067 mm)

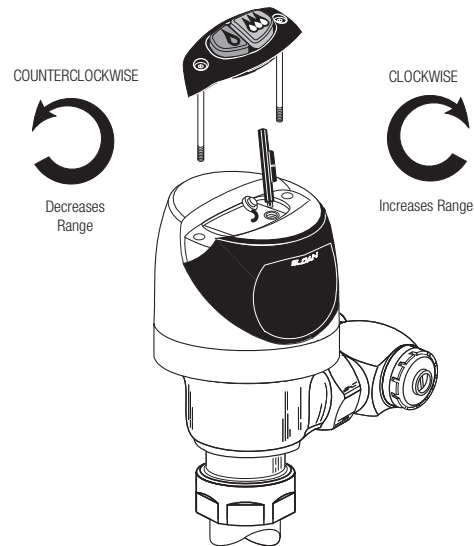
Urinal models – 15" to 30" (381 mm to 762 mm)

**The Factory setting should be satisfactory for most installations.**

If the range is too short (i.e., not picking up users) or too long (i.e., picking up opposite wall or stall door) the range can be adjusted.

**Note: Water DOES NOT have to be turned off to adjust range.**

Loosen the two screws on top of the unit. Remove the override button. Remove the rubber plug from top of electronic sensor module to uncover the potentiometer.



#### RANGE ADJUSTMENT PROCEDURE

For the first ten (10) minutes of operation, a visible light flashes in the sensing window of the Sloan ECOS electronic flushometer when a user is detected. This visible light feature can be reactivated after ten (10) minutes by opening and closing the battery compartment door.

Check the range by stepping toward the unit until the light flashes, indicating the sensor's maximum detection limit. Adjust the range potentiometer screw located on top of the sensor module a few degrees **CLOCKWISE** to increase the range or a few degrees **COUNTERCLOCKWISE** to decrease the range. Repeat this adjustment until the desired range is achieved.

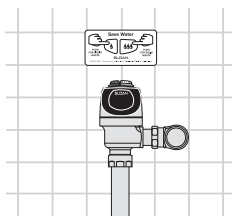
**Always determine the sensing range with metal cover and lens window on top of the unit.**

**IMPORTANT: Adjust in small increments only! Range potentiometer adjustment screw rotates only 3/4 of a turn; DO NOT over-tighten.**

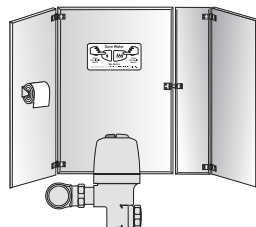
When range adjustment is satisfactory, replace the rubber plug. Reinstall override button and tighten the two screws on top of the unit.

#### RECOMMENDED WALL PLATE LOCATIONS – FOR DUAL-FLUSH FLUSHOMETERS

Centered over flushometer



On stall door





## ECOS® Flushometers

### Single-flush and Dual-flush

#### TROUBLESHOOTING AND MAINTAINING THE SLOAN ECOS® FLUSHOMETER

##### 1. Sensor flashes continuously only when user steps within range.

- A. Unit in start-up mode; no problem. This feature is active for the first ten (10) minutes of operation.

##### 2. Valve DOES NOT flush; sensor not picking up user.

- A. Range too short; increase the range.

##### 3. Valve DOES NOT flush; sensor picking up opposite wall or surface, or only flushes when someone walks by. Light flashes continuously for first 10 minutes even with no one in front of the sensor.

- A. Range too long; shorten range.

##### 4. Valve DOES NOT flush even after adjustment.

- A. Range adjustment potentiometer set at full "max" or full "min" setting. Readjust potentiometer away from full "max" or "min" setting.
- B. Batteries completely used up; replace batteries.
- C. Problem with electronic sensor module; replace electronic sensor module.

##### 5. Unit flashes 4 Quick Times When User Steps within range.

- A. Batteries low; replace batteries.

##### 6. Valve DOES NOT shut off.

- A. Bypass orifice in diaphragm is clogged with dirt or debris, or bypass is clogged by an invisible gelatinous film due to "over-treated" water. Remove flex tube diaphragm and wash under running water.  
Note: Size of orifice in the bypass is of utmost importance for the proper metering of water by the valve. **DO NOT ENLARGE OR DAMAGE THIS ORIFICE.** Replace flex tube diaphragm if cleaning does not correct the problem.
- B. Dirt or debris fouling stem or flex tube diaphragm. Remove flex tube diaphragm and wash under running water.
- C. O-ring on stem of flex tube diaphragm is damaged or worn. Replace O-ring if necessary.
- D. Problem with electronic sensor module; replace sensor module.

##### 7. Not enough water to fixture.

- A. Wrong flush volume regulator installed in flex tube diaphragm kit. Install the correct regulator.
- B. Wrong Sloan ECOS electronic model installed; i.e., 1.6 gpf/1.1 gpf model installed on 3.5 gal. closet fixture.
- C. Enlarged bypass in diaphragm. Replace flex tube diaphragm.
- D. Control stop not adjusted properly. Readjust control stop.
- E. Inadequate volume or pressure at supply. Increase water pressure or supply (flow) to valve. Consult factory for assistance.

##### 8. Too much water to fixture.

- A. Wrong flush volume regulator installed in flex tube diaphragm kit. Install the correct regulator (see Step 7 of these instructions).
- B. Control stop not adjusted properly. Readjust control stop.
- C. Wrong Sloan ECOS model installed; i.e., 0.5 gpf model installed on 0.125 gal. fixture. Replace with proper Sloan ECOS electronic model.
- D. Dirt in diaphragm bypass. Clean under running water or replace flex tube diaphragm.

**Note: The EBV-46-A Beam Deflector is no longer required or available for the Sloan ECOS.**

#### CARE AND CLEANING INSTRUCTIONS

**DO NOT USE** abrasive or chemical cleaners to clean the flushometer as they may dull the luster and attack the plastic cover and the chrome finish of the flushometer. Use **ONLY** mild soap and water, then wipe dry with clean cloth or towel.

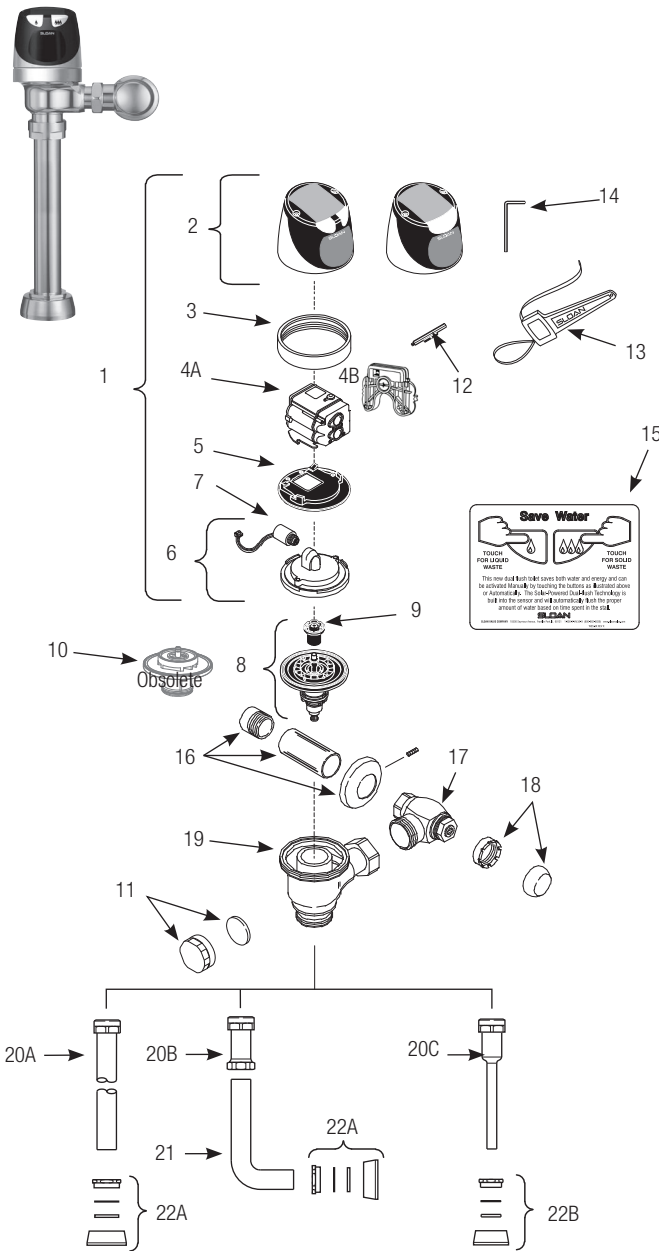
While cleaning the bathroom tile, the flushometer should be protected from any splattering of cleaner. Acids and cleaning fluids can discolor or remove chrome plating.

**When assistance is required, please contact Sloan Technical Support at: 1-888-SLOAN-14 (1-888-756-2614).**



## SOLIS® Flushometers

### Single-flush and Dual-flush



Item	Code	Part	Description
<b>Items Included with RESS Retrofit and Complete Sloan SOLIS® Valves</b>			
1.	<b>0325300</b>	EBV-304-A	Cover/Sensor/Assembly - Closet SOLIS 1.6 & 1.28 gpf Electronic Single Button Flush
		EBV-379-A	Cover/Sensor/Assembly - Closet SOLIS 1.1 gpf Electronic Single Button Flush
	<b>0372024</b>	WES-24-A	Cover/Sensor/Assembly Closet SOLIS Electronic Dual Flush
	<b>0325301</b>	EBV-306-A	Cover/Sensor/Assembly - Urinal 0.5 & 1.0 gpf SOLIS Electronic Single Button
	<b>0325328</b>	EBV-328-A	Cover/Sensor/Assembly - Urinal 0.25 gpf SOLIS Electronic Single Button
	<b>0325394</b>	EBV-385-A	Cover/Sensor/Assembly - Urinal 0.125 gpf SOLIS Electronic Single Button
	<b>0325320</b>	EBV-320-A	Cover/Sensor/Assembly - Closet 1.6 & 1.28 gpf SOLIS Electronic Single Button Flush fits Zurn® valve bodies
	<b>0372028</b>	WES-28-A	Cover/Sensor/Assembly- Closet SOLIS Electronic Dual Flush - fits Zurn® valve bodies
	<b>0325321</b>	EBV-321-A	Cover/Sensor/Assembly Urinal 0.25 gpf SOLIS Electronic Single Button - fits Zurn® valve bodies
2.	<b>0325311</b>	EBV-311-A	Cover Assembly - SOLIS Electronic Dual Flush Flush
	<b>0325309</b>	EBV-309-A	Cover Assembly - SOLIS Electronic Single Button Flush
3.	<b>0325804</b>	EBV-14	Locking Ring
	<b>0305843</b>	EBV-30	Locking Ring- fits Zurn® valve bodies
4A.	<b>0325312</b>	EBV-312-A-C	Module - SOLIS - Water Closet
	<b>0325313</b>	EBV-312-A-U	Module - SOLIS - Urinal
	<b>0325397</b>	EBV-388-A	Module - SOLIS - Urinal 0.125 gpf
	—	EBV-382-A	Module - SOLIS - 1.1 gpf Single Button Flush
	<b>0372038</b>	WES-33-A	Module - SOLIS - Water Closet (Dual Flush)
4B.	<b>33250011</b>	EBV Repair Kit	Battery Cover Door
5.	<b>0325171</b>	EBV-134	Cover Rest Plate
6.	<b>3325456</b>	EBV-145-A	Inside Cover Assembly (includes solenoid)
7.	<b>3325453</b>	EBV-136-A	Solenoid
8.	†		Flex Tube Diaphragm Assembly
9.	†		Flush Volume Regulator
10.	†		Cartridge Assembly DISCONTINUED
11.	<b>3325814</b>	EBV-1017-A	Handle Cap (RESS Retrofit Models Only)
12.	<b>0325107</b>	EBV-91	Range Adjustment Tool
13.	<b>0305823</b>	EBV-22	Strap Wrench
14.	<b>0325159</b>	EBV-137	7/64" Hex Wrench
15.	<b>0372029</b>	WES-27	English Plate (Dual Flush only)
	<b>0372025</b>	WES-29	Spanish Plate (Dual Flush only)
<b>Items Included with Complete Sloan SOLIS® Valves Only</b>			
16.	<b>3308782</b>	H-633-AA	1" (25 mm) Sweat Solder Kit
	<b>3308788</b>	H-636-AA	¾" (19 mm) Sweat Solder Kit
17.	<b>3308386</b>	H-700-A	1" (25 mm) Bak-Chek® Control Stop
	<b>3308384</b>	H-700-A	¾" (19 mm) Bak-Chek® Control Stop
18.	<b>3308772</b>	H-1010-A	Vandal Resistant Stop Cap
19.	<b>0305381</b>	EBV-36-A	Valve Body
20A.	—	V-600-AA	1½" (38 mm) x 10 ½" (229 mm) Vacuum Breaker (Model 8111) (10" Outlet Tube)
	—	V-600-AA	1½" (38 mm) x 15" (584 mm) Vacuum Breaker (Model 8113)
	—	V-600-AA	1½" (38 mm) x 23" (584 mm) Vacuum Breaker (Model 8115)
	—	V-600-AA	1½" (38 mm) x 26" (660 mm) Vacuum Breaker (Model 8116)
20B.	—	V-600-A	3" (76 mm) Vacuum Breaker Assembly
20C.	—	V-600-AA	¾" (19 mm) x 10 ½" (229 mm) Vacuum Breaker (Model 8186) (10" Outlet Tube)
21.	—	F-109	1½" (38 mm) Elbow Flush Connection
22A.	<b>0306146</b>	F-5-AT	1½" Spud Coupling Assembly (Models 8110, 8110 8115 & 8116)
22B.	<b>0306125</b>	F-5-AW	¾" Spud Coupling Assembly (Model 8186)
† Part No. varies depending on flushometer model.			
Manufactured in the U.S.A. by Sloan Valve Company under one or more of the following patents: U.S. Patents: D598,975; D599,436; 7,124,997. Other Patents Pending. BAK-CHEK®, PARA-FLO®, PERMEX®, TURBO-FLO®.			

†The brands and/or products names referenced herein may be subject to trademark rights of their respective owners. Use of the brands and names is for identification purposes only and does not imply affiliation with or endorsement by Sloan.

# SOLIS® Flushometers

## Single-flush and Dual-flush

### ITEM 8. FLEX TUBE DIAPHRAGM KIT SELECTION GUIDE

Code No.	Part No.	Description	Regulator Color
3325001	EBV-1020-A	1.6 gpf/6.0 Lpf Closet	GREEN
3325031	EBV-1024-A	1.28 gpf/4.8 Lpf Closet	GREEN
—	EBV-1028-A	1.1 gpf/4.2 Lpf Closet	GRAY
3325003	EBV-1023-A	0.5 gpf/1.9 Lpf Urinal	GREEN
3325090	EBV-1025-A	0.25 gpf/1.0 Lpf Urinal	GREEN

The EBV-1020-A Kit is supplied with multiple Flush Volume Regulators. The installer must use the correct Regulator when installing the kit.

EBV-1025-A includes H-1015A Flow Control

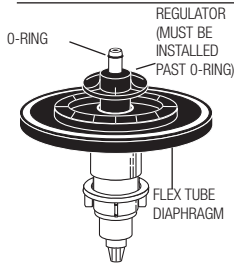
### ITEM 9. REGULATORS

The flush volume of the flex tube diaphragm kit is controlled by the regulator. Regulators are identified by color. Some flex tube diaphragm kits are supplied with multiple regulators. The installer must make sure the proper regulator is used when installing the flex tube diaphragm kit.

#### REGULATOR (SOLD 6 PER PACKAGE)

Code No.	Part No.	Description	Regulator Color
5325122	EBV-95	Urinal-0.5 gpf/1.9 Lpf	GREEN
5325122	EBV-95	Closet-1.6 gpf/6.0 Lpf	GREEN

### FLEX TUBE DIAPHRAGM ASSEMBLY



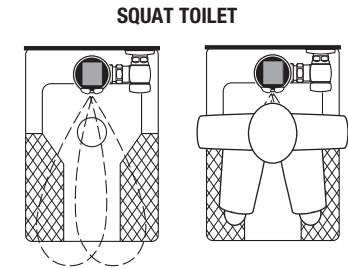
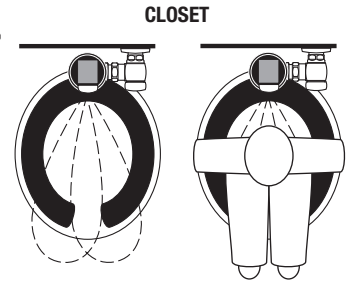
SOLIS models feature Sloan's exclusive flex tube diaphragm for the ultimate in valve performance, reliability and chloramine resistance.

### ITEM 19D. SLIP JOINT GASKETS AND RINGS

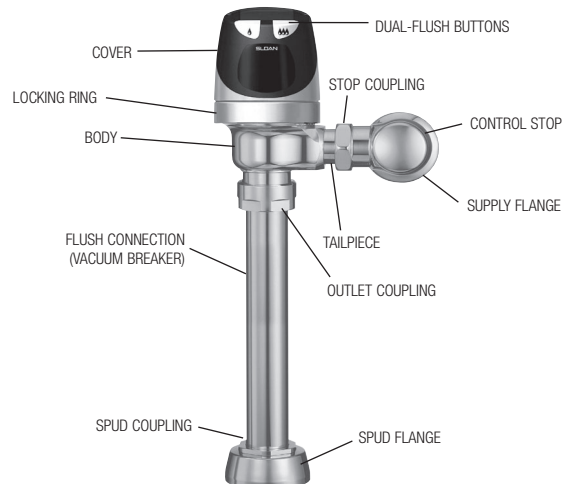
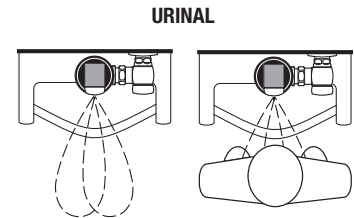
Size	Code No.	Part No.	Description
1-1/2"	5306058	F-3	Red Friction Ring
	5322001	VBF-5	Black Slip Joint Gasket
	0319086/5319086	S-30	Flexible Seat
	0319079	S-21	Rigid Seat (rubber over brass)
1-1/2" x 1-1/4"	0396062	F-105	Slip Joint Gasket – Rigid
1-1/4"	5306057	F-3	Red Friction Ring
	5322176	VBF-5	Black Slip Joint Gasket
	0307052/5307052	G-21	Rigid Seat (rubber over brass)
1"	5306056	F-3	Red Friction Ring
	5306115	F-5	Black Slip Joint Gasket
3/4"	5306055	F-3	Red Friction Ring
	5306113	F-5	Black Slip Joint Gasket

### OPERATION

1. A continuous, invisible light beam is emitted from the SOLIS® sensor.
2. As the user enters the beam's effective range, 22 to 42 inches (559 mm to 1067 mm) for closet installations and 15 to 30 inches (381 mm to 762 mm) for urinal installations, the beam is reflected into the scanner window to activate the output circuit. Once activated, the output circuit continues in a "hold" mode for as long as the user remains within the effective range of the sensor. For dual-flush models, if the user stays longer than 65 seconds, a full flush will automatically initiate when the user leaves. For single-flush models, once the user steps away, a full flush will automatically initiate.



3. For dual-flush models, once a user is detected, if the user leaves in 65 seconds or less, a reduced flush will automatically initiate. The circuit automatically resets and is ready for the next user. For single-flush models, when the user steps away, this initiates a full flush. The circuit automatically resets and is ready for the next user.



## SOLIS® Flushometers

### Single-flush and Dual-flush

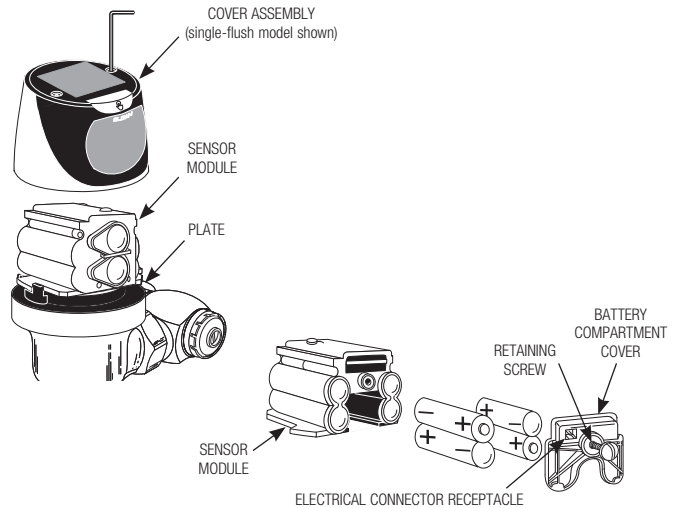
#### BATTERY REPLACEMENT

When required, replace batteries with four (4) AA-size batteries.

**Note: Water DOES NOT have to be turned off to replace batteries.**

Loosen the two (2) screws on top of unit. Remove the complete cover assembly. Lift the sensor module from its plate. Unplug the electrical connector from battery compartment cover. Loosen the retaining screw on battery compartment cover and remove battery compartment cover. Install four (4) AA-size batteries **exactly** as illustrated.

Install battery compartment cover and secure with retaining screw. Make certain that battery compartment cover is fully compressed against gasket to provide a seal; **DO NOT** overtighten. Plug the electrical connector into the battery compartment cover. Reinstall the sensor module onto the plate. Reinstall the complete Cover Assembly onto the plate. Tighten the two (2) screws on top of the unit.



#### RANGE ADJUSTMENT (ADJUST ONLY IF NECESSARY)

The SOLIS® has a factory set sensing range:

Water Closet Models - 22" to 42" (559 mm to 1067 mm)

Urinal Models - 15" to 30" (381 mm to 762 mm)

**The Factory setting should be satisfactory for most installations.**

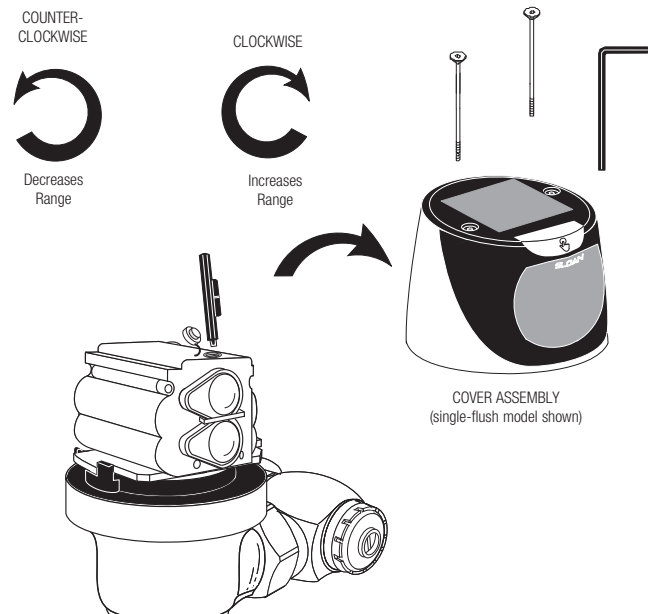
If the range is too short (i.e., not picking up users) or too long (i.e., picking up opposite wall or stall door) the range can be adjusted.

**Note: Water DOES NOT have to be turned off to adjust range.**

Loosen the two screws on top of the unit and remove cover. Remove the rubber plug from top of electronic sensor module to uncover the potentiometer.

**IMPORTANT: Adjust in small increments only! Range potentiometer adjustment screw rotates only 3/4 of a turn; DO NOT over-rotate.**

When range adjustment is satisfactory, replace the rubber plug. Reinstall cover and tighten the two screws on top of the unit.



#### RANGE ADJUSTMENT PROCEDURE

For the first ten (10) minutes of operation, a visible light flashes in the sensing window of the SOLIS® flushometer when a user is detected. This visible light feature can be reactivated after ten (10) minutes by opening and closing the battery compartment door.

Check the range by stepping toward the unit until the light flashes, indicating the sensor's maximum detection limit. Adjust the range potentiometer screw located on top of the sensor module a few degrees **CLOCKWISE** to increase the range or a few degrees **COUNTERCLOCKWISE** to decrease the range. Repeat this adjustment until the desired range is achieved.

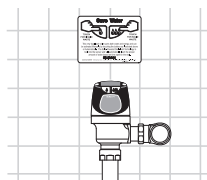
**Always determine the sensing range with metal cover and lens window on top of the unit.**

**IMPORTANT: Adjust in small increments only! Range potentiometer adjustment screw rotates only 3/4 of a turn; DO NOT over-tighten.**

When range adjustment is satisfactory, replace the Rubber Plug. Reinstall Cover and tighten the two Screws on top of the unit.

#### RECOMMENDED WALL PLATE LOCATIONS

Centered over flushometer

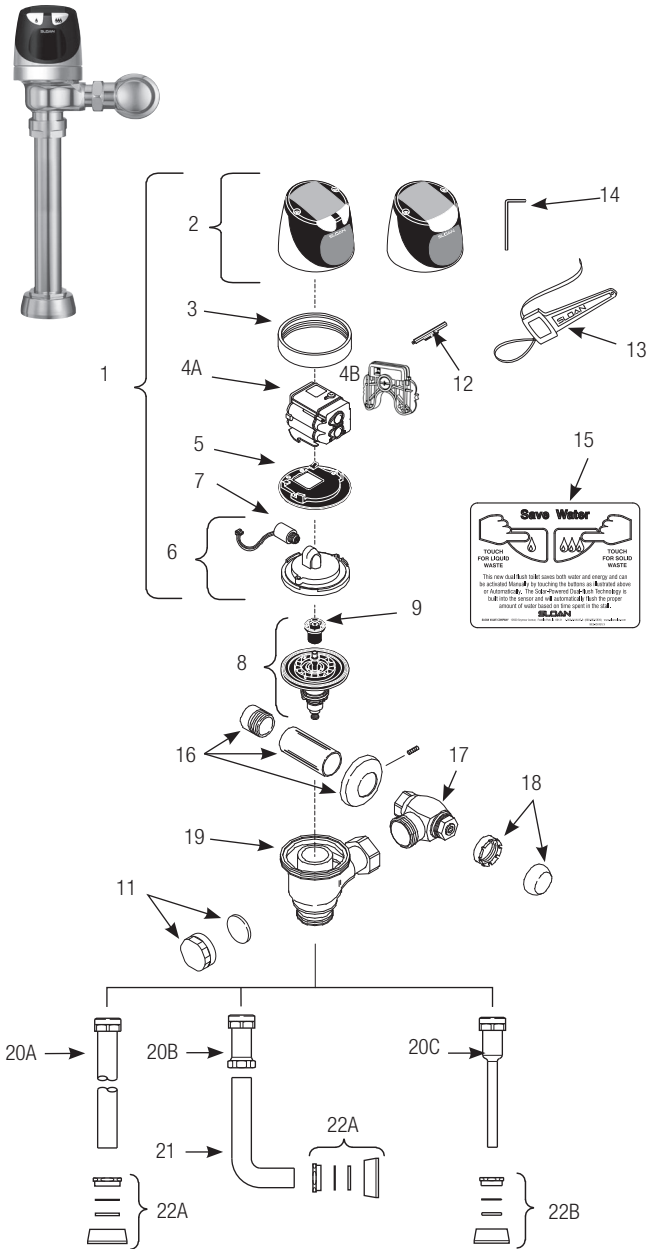


On stall door



# SOLIS® Bluetooth (BT) Flushometers

## Single-flush and Dual-flush



### Items Included with RESS Retrofit and Complete Sloan SOLIS® Valves

1.	<b>03250002</b>	EBV-304A-BT	Cover/Sensor/Assembly - Closet SOLIS 1.28 gpf Electronic Single Button Flush
	<b>03250001</b>	EBV-304A-BT	Cover/Sensor/Assembly - Closet SOLIS Electronic Single Button Flush 1.6 gpf
	<b>03250005</b>	EBV-306A-BT	Cover/Sensor/Assembly - Urinal 0.25 gpf SOLIS Electronic Single Button
	<b>03250006</b>	EBV-306A-BT	Cover/Sensor/Assembly - Urinal 0.5 gpf SOLIS Electronic Single Button
	<b>03250007</b>	EBV-306A-BT	Cover/Sensor/Assembly - Urinal 0.1 gpf SOLIS Electronic Single Button
	<b>03250003</b>	EBV-379A-BT	Cover/Sensor/Assembly - Closet SOLIS Electronic Single Button Flush 1.1 gpf
	<b>03250004</b>	EBV-385A-BT	Cover/Sensor/Assembly - Closet SOLIS Electronic Single Button Flush 0.125 gpf
2.	<b>0325311</b>	EBV-311-A	Cover Assembly - SOLIS Electronic Dual Flush Flush
	<b>0325309</b>	EBV-309-A	Cover Assembly - SOLIS Electronic Single Button Flush
3.	<b>0325804</b>	EBV-14	Locking Ring
	<b>0305843</b>	EBV-30	Locking Ring- fits Zurn® valve bodies
4A.	<b>33250006</b>	EBV-312A-BT	Module - SOLIS - Urinal 0.5 gpf
	<b>33250007</b>	EBV-312A-BT	Module - SOLIS - Urinal 1.0 gpf
	<b>33250002</b>	EBV-312A-BT	Module - SOLIS - Water Closet 1.28 gpf gpf
	<b>33250001</b>	EBV-312A-BT	Module - SOLIS - Water Closet 1.6 gpf gpf
	<b>33250003</b>	EBV-382A-BT	Module - SOLIS - Water Closet 1.1 gpf gpf
	<b>33250004</b>	EBV-388A-BT	Module - SOLIS - Urinal 0.125 gpf
	<b>33250005</b>	EBV-389A-BT	Module - SOLIS - Urinal 0.25 gpf gpf
4B.	<b>33250011</b>	EBV Repair Kit	Battery Cover Door
5.	<b>0325171</b>	EBV-134	Cover Rest Plate
6.	<b>3325456</b>	EBV-145-A	Inside Cover Assembly (includes solenoid)
7.	<b>3325453</b>	EBV-136-A	Solenoid
8.	†		Flex Tube Diaphragm Assembly
9.	†		Flush Volume Regulator
11.	<b>3325814</b>	EBV-1017-A	Handle Cap (RESS Retrofit Models Only)
12.	<b>0325107</b>	EBV-91	Range Adjustment Tool
13.	<b>0305823</b>	EBV-22	Strap Wrench
14.	<b>0325159</b>	EBV-137	7/64" Hex Wrench
15.	<b>0372029</b>	WES-27	English Plate (Dual Flush only)
	<b>0372025</b>	WES-29	Spanish Plate (Dual Flush only)

### Items Included with Complete Sloan SOLIS® Valves Only

16.	<b>3308782</b>	H-633-AA	1" (25 mm) Sweat Solder Kit
	<b>3308788</b>	H-636-AA	¾" (19 mm) Sweat Solder Kit
17.	<b>3308386</b>	H-700-A	1" (25 mm) Bak-Chek® Control Stop
	<b>3308384</b>	H-700-A	¾" (19 mm) Bak-Chek® Control Stop
18.	<b>3308772</b>	H-1010-A	Vandal Resistant Stop Cap
19.	<b>0305381</b>	EBV-36-A	Valve Body
20A.	—	V-600-AA	1½" (38 mm) x 10½" (229 mm) Vacuum Breaker (Model 8111)
	—	V-600-AA	1½" (38 mm) x 15" (584 mm) Vacuum Breaker (Model 8113)
	—	V-600-AA	1½" (38 mm) x 23" (584 mm) Vacuum Breaker (Model 8115)
	—	V-600-AA	1½" (38 mm) x 26" (660 mm) Vacuum Breaker (Model 8116)
20B.	—	V-600-A	3" (76 mm) Vacuum Breaker Assembly
20C.	—	V-600-AA	¾" (19 mm) x 10½" (229 mm) Vacuum Breaker (Model 8186)
21.	—	F-109	1½" (38 mm) Elbow Flush Connection
22A.	<b>0306146</b>	F-5-AT	1½" Spud Coupling Assembly (Models 8110, 8110 8115 & 8116)
22B.	<b>0306125</b>	F-5-AW	¾" Spud Coupling Assembly (Model 8186)

† Part No. varies depending on flushometer model.

Manufactured in the U.S.A. by Sloan Valve Company under one or more of the following patents: U.S. Patents: D598,975; D599,436; 7,124,997. Other Patents Pending. BAK-CHEK®, PARA-FLO®, PERMEX®, TURBO-FLO®.

\*Zurn® is a registered trademark of Zurnco, Inc. Use of "Zurn" is for identification purposes only and does not imply affiliation, endorsement, or association between Sloan and Zurnco, Inc.

## SOLIS® Bluetooth (BT) Flushometers

### Single-flush and Dual-flush

#### ITEM 8. FLEX TUBE DIAPHRAGM KIT SELECTION GUIDE

Code No.	Part No.	Description	Regulator Color
3325001	EBV-1020-A	1.6 gpf/6.0 Lpf Closet	GREEN
3325031	EBV-1024-A	1.28 gpf/4.8 Lpf Closet	GREEN
—	EBV-1028-A	1.1 gpf/4.2 Lpf Closet	GRAY
3325003	EBV-1023-A	0.5 gpf/1.9 Lpf Urinal	GREEN
3325090	EBV-1025-A	0.25 gpf/10 Lpf Urinal	GREEN

The EBV-1020-A Kit is supplied with multiple Flush Volume Regulators. The installer must use the correct Regulator when installing the kit.

EBV-1025-A includes H-1015A Flow Control

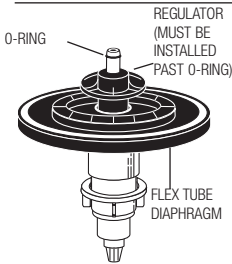
#### ITEM 9. REGULATORS

The flush volume of the flex tube diaphragm kit is controlled by the regulator. Regulators are identified by color. Some flex tube diaphragm kits are supplied with multiple regulators. The installer must make sure the proper regulator is used when installing the flex tube diaphragm kit.

#### REGULATOR (SOLD 6 PER PACKAGE)

Code No.	Part No.	Description	Regulator Color
5325122	EBV-95	Urinal-0.5 gpf/1.9 Lpf	GREEN
5325122	EBV-95	Closet-1.6 gpf/6.0 Lpf	GREEN

#### FLEX TUBE DIAPHRAGM ASSEMBLY



SOLIS models feature Sloan's exclusive flex tube diaphragm for the ultimate in valve performance, reliability and chloramine resistance.

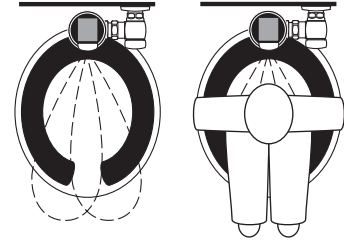
#### ITEM 19D. SLIP JOINT GASKETS AND RINGS

Size	Code No.	Part No.	Description
1-1/2"	5306058	F-3	Red Friction Ring
	5322001	VBF-5	Black Slip Joint Gasket
	0319086/5319086	S-30	Flexible Seat
	0319079	S-21	Rigid Seat (rubber over brass)
1-1/2" x 1-1/4"	0396062	F-105	Slip Joint Gasket – Rigid
1-1/4"	5306057	F-3	Red Friction Ring
	5322176	VBF-5	Black Slip Joint Gasket
	0307052/5307052	G-21	Rigid Seat (rubber over brass)
1"	5306056	F-3	Red Friction Ring
	5306115	F-5	Black Slip Joint Gasket
3/4"	5306055	F-3	Red Friction Ring
	5306113	F-5	Black Slip Joint Gasket

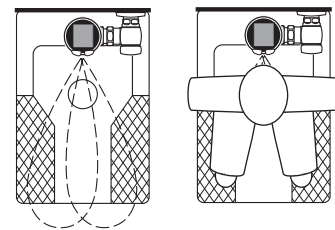
#### OPERATION

1. A continuous, INVISIBLE light beam is emitted from the SOLIS® sensor.
2. As the user enters the beam's effective range, 22 to 42 inches (559 mm to 1067 mm) for closet installations and 15 to 30 inches (381 mm to 762 mm) for urinal installations, the beam is reflected into the scanner window to activate the output circuit. Once activated, the output circuit continues in a "hold" mode for as long as the user remains within the effective range of the sensor. For dual-flush models, if the user stays longer than 65 seconds, a full flush will automatically initiate when the user leaves. For single-flush models, once the user steps away, a full flush will automatically initiate.
3. For dual-flush models, once a user is detected, if the user leaves in 65 seconds or less, a reduced flush will automatically initiate. The circuit automatically resets and is ready for the next user. For single-flush models, when the user steps away, this initiates a full flush. The circuit automatically resets and is ready for the next user.

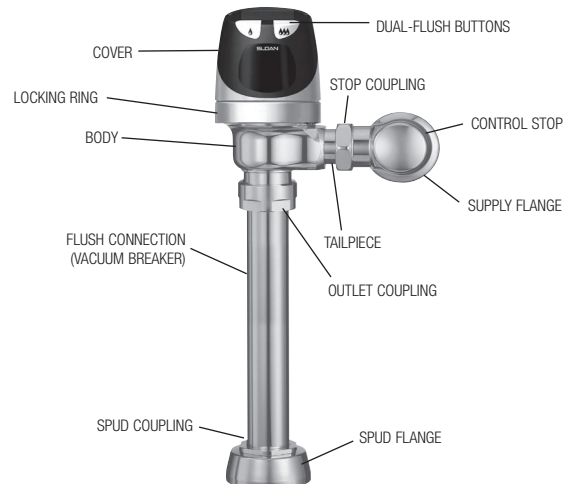
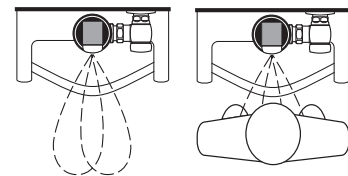
#### CLOSET



#### SQUAT TOILET



#### URINAL





## SOLIS® Flushometers

### Single-flush and Dual-flush

#### TROUBLESHOOTING GUIDE

##### 1. Sensor flashes continuously only when user steps within range.

- A. Unit in start-up mode; no problem. This feature is active for the first ten (10) minutes of operation.

##### 2. Valve DOES NOT flush; sensor not picking up user.

- A. Range too short; increase the range.

##### 3. Valve DOES NOT flush; sensor picking up opposite wall or surface, or only flushes when someone walks by. Light flashes continuously for first 10 minutes even with no one in front of the sensor.

- A. Range too long; shorten range.

##### 4. Valve DOES NOT flush even after adjustment.

- A. Range adjustment potentiometer set at full "max" or full "min" setting. Readjust potentiometer away from full "max" or "min" setting.
- B. Batteries completely used up; replace batteries.
- C. Problem with electronic sensor module; replace electronic sensor module.

##### 5. Unit flashes 4 quick times when user steps within range.

- A. Batteries low; replace batteries.

##### 6. Valve DOES NOT shut off.

- A. Bypass orifice in diaphragm is clogged with dirt or debris, or bypass is clogged by an invisible gelatinous film due to "over-treated" water. Remove flex tube diaphragm and wash under running water.

Note: Size of orifice in the bypass is of utmost importance for the proper metering of water by the valve. DO NOT ENLARGE OR DAMAGE THIS ORIFICE. Replace flex tube diaphragm if cleaning does not correct the problem.

- B. Dirt or debris fouling stem or flex tube diaphragm. Remove flex tube diaphragm and wash under running water.
- C. O-ring on stem of flex tube diaphragm is damaged or worn. Replace O-ring if necessary.
- D. Problem with electronic sensor module; replace sensor module.

##### 7. Not enough water to fixture.

- A. Wrong flush volume regulator installed in flex tube diaphragm kit. Install the correct regulator.
- B. Wrong SOLIS® model installed; i.e., 1 gpf. Urinal installed on 3.5 gal. closet fixture. Replace with proper SOLIS® model.
- C. Enlarged bypass in diaphragm. Replace flex tube diaphragm.
- D. Control stop not adjusted properly. Readjust control stop.
- E. Inadequate volume or pressure at supply. Increase water pressure or supply (flow) to valve. Consult factory for assistance.

##### 8. Too much water to fixture.

- A. Wrong flush volume regulator installed in flex tube diaphragm kit. Install the correct regulator.
- B. Control stop not adjusted properly. Readjust control stop.
- C. Wrong SOLIS model installed; i.e., 3 gpf. model installed on 1.0 or 1.5 gal. Urinal fixture. Replace with proper SOLIS mode.
- D. Dirt in diaphragm bypass. Clean under running water or replace flex tube diaphragm.

**Note: The EBV-46-A beam deflector is not required or available for the SOLIS®.**

#### CARE AND CLEANING INSTRUCTIONS

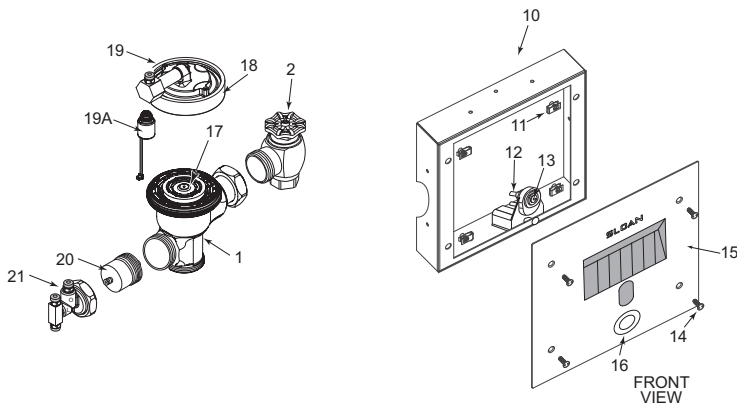
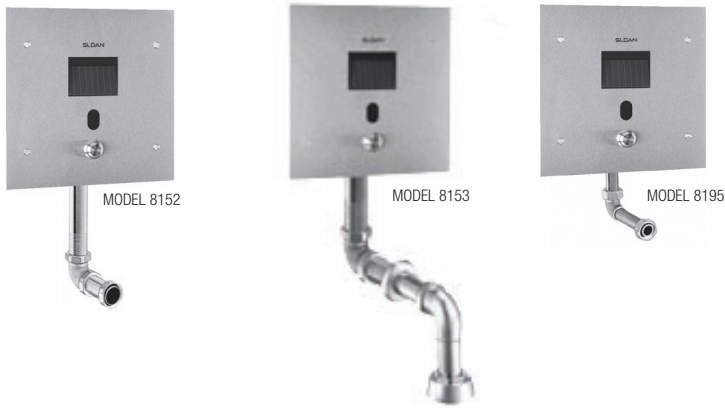
**DO NOT USE** abrasive or chemical cleaners to clean flushometers as they may dull the luster and attack the chrome or special decorative finishes. Use **ONLY** soap and water, then wipe dry with clean cloth or towel.

While cleaning the bathroom tile, the flushometer should be protected from any splattering of cleaner. Acids and cleaning fluids can discolor or remove chrome plating.

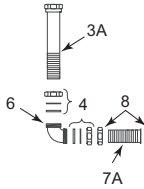
**When assistance is required, please contact Sloan Technical Support at: 1-888-SLOAN-14 (1-888-756-2614).**



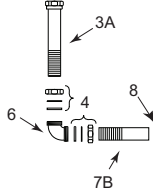
## Concealed SOLIS® Flushometer



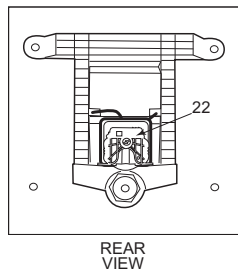
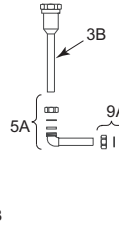
SOLIS 8152 SWB



SOLIS 8153 SWB



SOLIS 8195 SWB



REAR VIEW

### PARTS LIST

Item No.	Code No.	Part No.	Description
1.	<b>0301050</b>	A-143-A	RB Hydraulic Valve Body
2.	<b>0388010</b>	H-730-A	RB Bak-Chek® 1" Control Stop
	<b>0388011</b>	H-730-A	RB Bak-Chek® 3/4" Control Stop
3A.	‡	V-500-AA	1-1/2" (38 mm) Vacuum Breaker Assembly RB (Model 8152)
3B.	‡	V-500-AA	3/4" (19 mm) Vacuum Breaker Assembly RB (Model 8195)
4.	<b>0306619</b>	F-2-AA	1-1/2" (38 mm) Slip Joint Coupling RB (Set of Two)
5A.	‡	F-15-A	ELL with 3/4" (19 mm) Tail RB (Model 8195)
5B.		F-15-A	ELL with 1 1/2" (19 mm) Tail RB (Model 8153)
6.	<b>0206146PK</b>	F-21	1-1/2" (38 mm) Double Male Slip Elbow
7A.	‡	F-100	1-1/2" (38 mm) Outlet Tube RB
7B.	‡	F-102	1-1/2" (38 mm) Outlet Tube CP
8.	<b>0306091</b>	F-2-A	1-1/2" (38 mm) Coupling with S-21 Gasket
9A.	<b>0306054</b>	F-2-AW	3/4" (19 mm) Slip Joint Coupling RB
9B.	‡	F-5-A	1-1/2" (38 mm) Spud Coupling Assembly CP
10.	<b>3325215</b>	‡	Wall Box Frame Assembly (includes 11, 12 & 13)
11.	<b>0334017PK</b>	WB-18	U-Type Nuts (4)
12.	<b>33753009</b>	WB-1002A	Override Holder Repair Kit
13.	<b>0318123</b>	HY-71A	RB Hydraulic Override Button Assembly
14.	<b>0334024PK</b>	WB-49	¼-20 x 1½ Tamper Resistant Screws (1 each)
15.	‡	‡	Wall Plate Assembly
16.	<b>3334001</b>	WB-1001-A	SS Override Button Assembly
17.	‡	‡	Diaphragm† (refer to table & diaphragm on following page)
18.	<b>0325355</b>	EBV-355-A	Cover Assembly (includes item 19)
19.	<b>0325804PK</b>	EBV-14	Coupling
19A.	<b>0325356</b>	EBV-356-A	Solenoid
20.	<b>3318026</b>	HY-1005-A	Actuator Cartridge
21.	<b>0318195</b>	HY-128-A1	Actuator Assembly
	—	HY-30-84	¼" (6 mm) x 84" (2134 mm) Connecting Tubes (not shown)
	—	HY-30-24	¼" (6 mm) x 24" (610 mm) Connecting Tubes (not shown)
22.	<b>3325166</b>	EBV-366AU	0.5 gpf Sensor Assembly
	<b>3325167</b>	EBV-367AU	1.0 gpf Sensor Assembly
	<b>3325168</b>	EBV-368AC	1.28 gpf Sensor Assembly
	<b>3325169</b>	EBV-369 AC	1.6 gpf Sensor Assembly

† Flow volume varies with valve model and desired flush volume. Refer to table and diaphragm on following page.  
‡ Code and/or Part number varies with valve model variation; consult factory.

### ITEM 4A. SLIP JOINT GASKETS AND RINGS

Size	Code No.	Part No.	Description
1-1/2"	<b>5306058</b>	F-3	Red Friction Ring
	<b>5322001</b>	VBF-5	Black Slip Joint Gasket
	<b>0319086/5319086</b>	S-30	Flexible Seat
	<b>0319079</b>	S-21	Rigid Seat (rubber over brass)
1-1/2" x 1-1/4"	<b>0396062</b>	F-105	Slip Joint Gasket – Rigid
1-1/4"	<b>5306057</b>	F-3	Red Friction Ring
	<b>5322176</b>	VBF-5	Black Slip Joint Gasket
	<b>0307052/5307052</b>	G-21	Rigid Seat (rubber over brass)
1"	<b>5306056</b>	F-3	Red Friction Ring
	<b>5306115</b>	F-5	Black Slip Joint Gasket
3/4"	<b>5306055</b>	F-3	Red Friction Ring
	<b>5306113</b>	F-5	Black Slip Joint Gasket

## Concealed SOLIS® Flushometer



### DUAL-FILTERED DIAPHRAGM ASSEMBLY

Available in diaphragm only and Royal® Performance™ Kits.

Royal® Performance™ Kit includes dual-filtered diaphragm assembly (item 3), handle repair kit with triple seal packing (item 8), high back pressure vacuum breaker repair kit (item 11), and one tailpiece O-ring (item 15A). DIAPHRAGM ONLY KIT contains “drop-in” dual-filtered diaphragm assembly (item 3) ONLY.

The dual-filtered diaphragm can be used in Royal®, Regal®, and similar diaphragm-style valve bodies. For use in Sloan valve bodies with a bell-shaped cover (manufactured before 1964), replace the bottom filter ring in these kits with a blue A-108 filter ring (not shown Sloan Code No. **5301283**).

NOTE: In January 1998, the Royal® diaphragm design was upgraded to a preassembled unit with two (2) plastic filtering rings attached to the rubber diaphragm (one on top and one on bottom). If the flushometer you are servicing has our older, segmented diaphragm with brass by-pass hole, refer to our Regal section for additional troubleshooting information.

### ROYAL® HYDRAULIC PERFORMANCE KIT (Includes Dual-Filtered Diaphragm Assembly, HY83A Hydraulic Actuator Cartridge, H553 Tailpiece O-ring, and V651A High Back Pressure Vacuum Breaker Kit)

Code No.	Part No.	Description	Relief Valve†	Refill Head*	Flow Ring
<b>3318011</b>	HY-1101-A	Hydraulic Performance Kit Closet-1.6 gpf (6.0 Lpf)**	Green	Gray	Smooth
<b>3318012</b>	HY-1102-A	Hydraulic Performance Kit Closet-3.5 gpf (13.2 Lpf)**	White	Gray	Smooth
<b>3318013</b>	HY-1103-A	Hydraulic Performance Kit Closet-2.4 gpf (9.0 Lpf)	Blue	Gray	Smooth
<b>3318014</b>	HY-1106-A	Hydraulic Performance Kit Urinal-0.5 gpf (1.9 Lpf)	Green	Black	Slotted
<b>3318015</b>	HY-1107-A	Hydraulic Performance Kit Urinal -1.0 gpf (3.8 Lpf)**	Green	Black	Slotted
<b>3318016</b>	HY-1108-A	Hydraulic Performance Kit Urinal-1.5 gpf (5.7 Lpf)**	Black	Black	Smooth

\*CLOSET REFILL HEADS (GRAY) HAVE LARGER SLOTS THAN URINAL REFILL HEADS (BLACK).

### DIAPHRAGM ONLY KIT

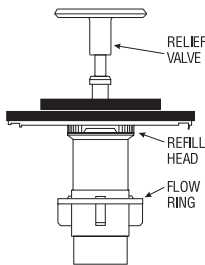
Code No.	Part No.	Description	Relief Valve†	Refill Head*	Flow Ring
<b>3301502</b>	A-1041-A	Low Consumption Water Closets-1.6 gpf (6.0 Lpf)**	Green	Gray	Smooth
<b>3301501</b>	A-1038-A	Water Saver Water Closets-3.5 gpf (13.2 Lpf)**	White	Gray	Smooth
<b>3301505</b>	A-1044-A	9 Liter European Water Closets-2.4 gpf (9.0 Lpf)	Blue	Gray	Smooth
<b>3301504</b>	A-1043-A	Wash Down Urinals-0.5 gpf (1.9 Lpf)	Green	Black	Slotted
<b>3301503</b>	A-1042-A	Low Consumption Urinals-1.0 gpf (3.8 Lpf)**	Green	Black	Slotted
<b>3301500</b>	A-1037-A	Water Saver Urinals-1.5 gpf (5.7 Lpf)**	Black	Black	Smooth
<b>3301506</b>	A-1045-A	High-Efficiency Water Closets-1.28 gpf (4.8 Lpf)	Blue	Gray	Smooth
<b>3301142</b>	A-1047-A	High-Efficiency Urinals-0.25 gpf (1.0 Lpf) with White Inserts	White	HEU Black	Smooth
<b>3301143</b>	A-1050-A	High-Efficiency Urinals-0.125 gpf (0.5 Lpf) with White Inserts	Blue	HEU Black	Smooth
<b>3301594</b>	A-1075-A-BX	High-Efficiency Water Closets-1.28 gpf (4.8 Lpf) RW	Blue	Black	Smooth
<b>3301592</b>	A-1073-A-BX	High-Efficiency Urinals-0.5 gpf (1.9 Lpf) RW + Slotted	Green	Black	Smooth
<b>3301591</b>	A-1077-A-BX	High-Efficiency Urinals-0.25 gpf (1.0 Lpf) RW	White	HEU Black	Smooth
<b>3301590</b>	A-1070-A-BX	High-Efficiency Urinals-0.125 gpf (0.5 Lpf) RW	Blue	HEU Black	Smooth

† Consult factory for availability of replacement plastic relief valves (green, black, blue, and white) and brass relief valves.

NOTE: For older water closets that require 4.5 gpf (17.0 Lpf), choose kits A-1102-A or A-1038-A, but remove the flow ring before use. For blowout-style urinals that require 3.5 gpf (13.2 Lpf), choose kits A-1102-A or A-1038-A. For service sinks that require 6.5 gpf (24.6 Lpf), order A-36-A diaphragm repair kit (not shown Sloan Code No. **3301036**) and remove the flow ring before use. Regulations for low consumption fixtures prohibit the use of higher flush volumes.

\*CLOSET REFILL HEADS (GRAY) HAVE LARGER SLOTS THAN URINAL REFILL HEADS (BLACK).

\*\* WATER SAVER (3.5 GPF CLOSET AND 1.5 GPF URINAL) AND LOW CONSUMPTION (1.6 GPF CLOSET AND 1.0 GPF URINAL) FIXTURES MUST USE MATCHING GPF (LPF) DIAPHRAGM KITS; USING A SMALLER GPF (LPF) KIT IN FIXTURES NOT INTENDED FOR LESS VOLUME WILL RESULT IN INADEQUATE DILUTION IN URINALS AND IMPROPER EVACUATION IN CLOSETS. RW for use with Reclaimed Water Flushometers.



THE COLORS OF THE RELIEF VALVE AND THE REFILL HEAD PLUS THE SHAPE OF FLOW RING IDENTIFY THE FLUSH VOLUME OF A DUAL-FILTERED DIAPHRAGM ASSEMBLY.

## Concealed SOLIS® Flushometer

### TROUBLESHOOTING GUIDE

**NOTE:** Upon detection of the user, the red indicator light flashes slowly, during start-up (first 10 minutes). After a period of eight seconds unit is ready to flush. When the user leaves the detection range, the sensor initiates the flush sequence. Then the indicator light stops flashing and the valve flushes. The valve will flush after a three-second (water closets) or one-second (urinals) delay.

#### 1. Sensor flashes continuously only when user steps within range.

- A. Unit in start-up mode; no problem. This feature is active for the first ten (10) minutes of operation.

#### 2. Valve DOES NOT flush; sensor does not picking up user.

- A. Range too short; increase the range. Consult factory.

#### 3. Valve DOES NOT flush; sensor picking up opposite wall or surface, or only flushes when someone walks by. Light flashes continuously for first 10 minutes even with no one in front of the sensor.

- A. Range too long; shorten range. Consult factory.

#### 4. Valve DOES NOT flush even after adjustment.

- A. Batteries completely used up; replace batteries.
- B. Problem with electronic sensor module; replace electronic sensor module.
- C. Problem with solenoid; replace solenoid.

#### 5. Unit flashes a sequence of 4 quick times when user steps within range.

- A. Batteries low; replace batteries.

#### 6. Valve DOES NOT shut off.

- A. Bypass orifice in diaphragm is clogged with dirt or debris, or bypass is clogged by an invisible gelatinous film due to "over-treated" water. Remove diaphragm and wash under running water. **NOTE:** Size of orifice in the bypass is of utmost importance for the proper metering of water by the valve. **DO NOT ENLARGE OR DAMAGE THIS ORIFICE.** Replace diaphragm if cleaning does not correct the problem.
- B. Dirt or debris fouling relief valve or diaphragm. Remove diaphragm and wash under running water.
- C. Problem with electronic sensor module; replace sensor module.

#### 7. Not enough water to fixture.

- A. Wrong relief valve installed in diaphragm kit. Install the correct relief valve.
- B. Wrong SOLIS® model installed; i.e., 1.0 gpf urinal installed on 3.5 gpf closet fixture. Replace with proper SOLIS model.
- C. Enlarged bypass in diaphragm. Replace diaphragm.
- D. Control stop not adjusted properly. Readjust control stop.
- E. Inadequate volume or pressure at supply. Increase water pressure or supply (flow) to valve. Consult factory for assistance.

#### 8. Too much water to fixture.

- A. Wrong relief valve installed in diaphragm kit. Install the correct relief valve.
- B. Control stop not adjusted properly. Readjust control stop.
- C. Wrong SOLIS model installed; i.e., 1.6 gpf model installed on 1.0 or 1.5 gpf urinal fixture. Replace with proper SOLIS model.
- D. Dirt in diaphragm bypass. Clean under running water or replace diaphragm.

### PUSH BUTTON ACTUATOR

#### 9. Leakage occurring at the push button.

- A. Damage or worn seals or lime build-up in the actuator cartridge. Replace with new cartridge.

#### 10. The flushometer DOES NOT flush and a small amount of leakage is visible below the valve.

- A. Foreign material lodged in the cartridge. Remove the cartridge and inspect for foreign material. Clean under running water.
- B. Damaged or worn seals or lime build-up in the actuator cartridge. Replace with new cartridge.
- C. Plastic tubing installed incorrectly. Match tubing ends from valve body actuator to button actuator, so that "L" to "L" and "O" to "O".

### FLUSHOMETER ACTUATOR ASSEMBLY

#### 11. The flushometer DOES NOT flush or flushes only once and will not flush a second time when the button is pushed.

- A. The plunger is lodged in the actuator cartridge or the plunger bypass hole is clogged. Remove the actuator housing & cartridge from the flushometer. Clean under running water. If cartridge parts are worn, deteriorated or limed up & problem persists after cleaning, replace with new cartridge.
- B. Plastic tubing installed incorrectly. Match tubing ends from valve body actuator to button actuator, so that "L" to "L" and "O" to "O".

### TO REMOVE THE ACTUATOR FROM THE FLUSHOMETER

- A. Turn off water from control stop.
- B. Unscrew the housing coupling nut from the flushometer.
- C. Remove the actuator housing from the flushometer. The tubing connections can be left intact.
- D. Remove the actuator cartridge from the flushometer body. Care should be taken so that upon removal the actuator and the o-ring do not separate due to spring compression within. If the actuator cartridge is lodged in the body cavity, grip the exposed portion gently with a pair of channel-lock pliers and rotate back and forth to loosen the o-ring seal.
- E. Separate the actuator housing to reveal the spring and plunger.

### !!! IMPORTANT — CONTROL STOP SETTING !!!

**NEVER OPEN CONTROL STOP TO WHERE THE FLOW FROM THE VALVE EXCEEDS THE FLOW CAPABILITY OF THE FIXTURE. IN THE EVENT OF A VALVE FAILURE, THE FIXTURE MUST BE ABLE TO ACCOMMODATE A CONTINUOUS FLOW FROM THE VALVE.**

**THIS PRODUCT CONTAINS MECHANICAL AND/OR ELECTRICAL COMPONENTS THAT ARE SUBJECT TO NORMAL WEAR. THESE COMPONENTS SHOULD BE CHECKED ON A REGULAR BASIS AND REPLACED AS NEEDED TO MAINTAIN THE VALVE'S PERFORMANCE.**

**LAWS AND REGULATIONS PROHIBIT THE USE OF HIGHER FLUSHING VOLUMES THAN LISTED ON FIXTURE OR FLUSHOMETER.**

**DO NOT USE TOOTHED TOOLS TO INSTALL OR SERVICE THESE VALVES. USE A SLOAN A-50 SUPER WRENCH, SLOAN A-109 PLIER WRENCH OR SMOOTH JAWED WRENCH TO SECURE ALL COUPLINGS.**

### CARE AND CLEANING INSTRUCTIONS

**DO NOT USE** abrasive or chemical cleaners to clean flushometers that may dull the luster and attack the finish. Use **ONLY** mild soap and water, then wipe dry with a clean towel or cloth. When cleaning the bathroom tile, protect the flushometer from any splattering of cleaner. Acids and cleaning fluids can discolor or remove finish.

**When assistance is required, please contact  
Sloan Technical Support at: 1-888-SLOAN-14 (1-888-756-2614).**

## Control Stop

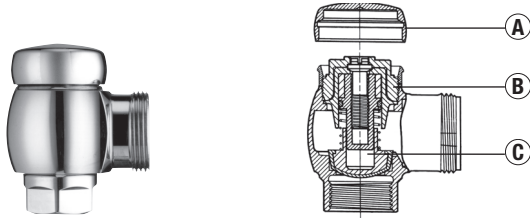


**CONTROL STOP AND REPLACEMENT PARTS**

H-700 Series Bak-Chek® control stops and replacement parts (available for 3/4" and 1" water supply inlet pipes)  
Replaces H-600 and H-540 Series control stops

**Code No. Part No. Description**

### H-700 Stop, chrome plated: Screwdriver Angle Stop with H-1010-A Vandal Resistant Cap



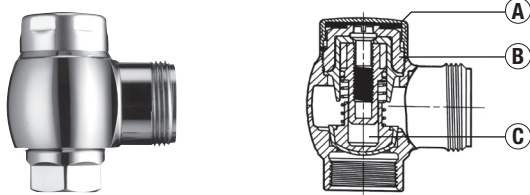
**Complete Stops**

<b>3308384</b>	H-700-A	3/4" NPTF inlet for adjustable tail
<b>3308386</b>	H-700-A	1" NPTF inlet for adjustable tail
<b>3308385</b>	H-700-AG	3/4" NPTF inlet for ground joint tail
<b>3308387</b>	H-700-AG	1" NPTF inlet for ground joint tail
<b>3308388</b>	H-700-AW	1" Whitworth inlet for adjustable tail

**Repair Parts**

<b>3308772</b>	H-1010-A	<b>A</b> Vandal Resistant Cap*, chrome plated
<b>0308612</b>	H-622	<b>B</b> Bonnet, chrome plated
<b>3308853</b>	H-541-ASD	<b>C</b> Control Stop Repair Kit*

### H-710 Stop, chrome plated: Screwdriver Angle Stop with H-573-A Locking Vandal Resistant Cap



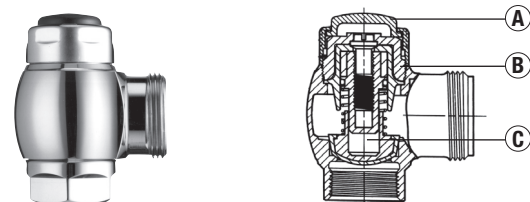
**Complete Stops**

<b>0388025</b>	H-710-A	3/4" NPTF inlet for adjustable tail
<b>0388022</b>	H-710-A	1" NPTF inlet for adjustable tail
<b>0388026</b>	H-710-AG	3/4" NPTF inlet for ground joint tail
<b>0388024</b>	H-710-AG	1" NPTF inlet for ground joint tail
<b>0388037</b>	H-710-AW	1" Whitworth inlet for adjustable tail
<b>0388062</b>	H-710-AAR	1" BSP British Standard Pipe inlet for adjustable tail
<b>0388043</b>	NH-710-A	1" NPTF inlet for adjustable tail (Naval brass)
<b>0388048</b>	NH-710-AG	3/4" NPTF inlet for ground joint tail (Naval brass)
<b>0388058</b>	NH-710-AG	1" NPTF inlet for ground joint tail (Naval brass)
<b>0388042</b>	NH-710-AW	1" Whitworth inlet for adjustable tail (Naval brass)
<b>0388045</b>	NH-710-AGW	1" Whitworth inlet for ground joint tail (Naval brass)
<b>0388044</b>	NH-710-AGS	1" NPSM inlet for ground joint tail (Naval brass)

**Repair Parts**

<b>3308840</b>	H-573-A	<b>A</b> Locking Vandal Resistant Cap*, chrome plated
<b>0308612</b>	H-622	<b>B</b> Bonnet, chrome plated
<b>3308853</b>	H-541-ASD	<b>C</b> Control Stop Repair Kit*

### H-720 Stop, chrome plated: Screwdriver Angle Stop with H-574 Short bumper Cap (-YO Variation)



**Complete Stops**

<b>0388034</b>	H-720-A	1" NPTF inlet for adjustable tail
<b>0388033</b>	H-720-AG	1" NPTF inlet for ground joint tail
<b>0388038</b>	H-720-AW	1" Whitworth inlet for adjustable tail

**Repair Parts**

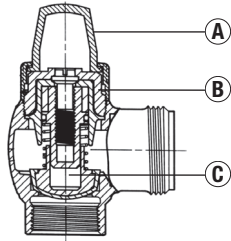
<b>3308866</b>	H-574	<b>A</b> Stop Cap with Seat Bumper*, chrome plated
<b>0308612</b>	H-622	<b>B</b> Bonnet, chrome plated
<b>3308853</b>	H-541-ASD	<b>C</b> Control Stop Repair Kit*

\*Refer to page 98 for diagrams of our Stop Caps and page 99 for the components supplied in our Control Stop Repair Kits.

## Control Stop

### CONTROL STOP AND REPLACEMENT PARTS

#### H-725 Stop, chrome plated: Screwdriver Angle Stop with H-576 Extended Bumper Cap (-YG Variation)



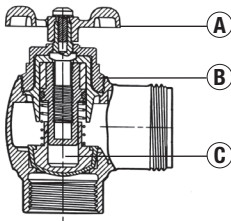
##### Complete Stops

<b>0388035</b>	H-725-A	1" NPTF inlet for adjustable tail
<b>0388057</b>	H-725-AG	1" NPTF inlet for ground joint tail
<b>0388039</b>	H-725-AW	1" Whitworth inlet for adjustable tail
<b>0388047</b>	NH-725-AGW	1" Whitworth inlet for ground joint tail (Naval brass)

##### Repair Parts

<b>3308867</b>	H-576	<b>A</b> Stop Cap with Extended Seat Bumper chrome plated
<b>0308612</b>	H-622	<b>B</b> Bonnet, chrome plated
<b>3308853</b>	H-541-ASD	<b>C</b> Control Stop Repair Kit*

#### H-730 Stop, rough brass: Concealed Wheel Handle Angle Stop



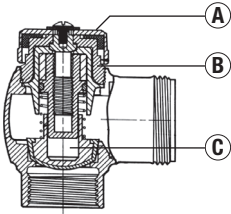
##### Complete Stops

<b>0388011</b>	H-730-A	3/4" NPTF inlet for adjustable tail
<b>0388010</b>	H-730-A	1" NPTF inlet for adjustable tail
<b>0388014</b>	H-730-AG	3/4" NPTF inlet for ground joint tail
<b>0388013</b>	H-730-AG	1" NPTF inlet for ground joint tail
<b>0388012</b>	H-730-AW	1" Whitworth inlet for adjustable tail
<b>0388056</b>	NH-730-AG	3/4" NPTF inlet for ground joint tail (Naval brass)
<b>0388017</b>	NH-730-AG	1" NPTF inlet for ground joint tail (Naval brass)
<b>0388041</b>	NH-730-AW	1" Whitworth inlet for adjustable tail (Naval brass)
<b>0388046</b>	NH-730-AGW	1" Whitworth inlet for ground joint tail (Naval brass)

##### Repair Parts

<b>3308872</b>	H-1011-A	<b>A</b> Concealed Wheel Handle Repair Kit*
<b>0208083</b>	H-623	<b>B</b> Bonnet, rough brass
<b>3308860</b>	H-1006-A	<b>C</b> Control Stop Repair Kit*

#### H-735 Stop, chrome plated: Exposed Wheel Handle Angle Stop



##### Complete Stops

<b>0388007</b>	H-735-A	3/4" NPTF inlet for adjustable tail
<b>0388006</b>	H-735-A	1" NPTF inlet for adjustable tail
<b>0388009</b>	H-735-AG	3/4" NPTF inlet for ground joint tail
<b>0388008</b>	H-735-AG	1" NPTF inlet for ground joint tail

##### Repair Parts

<b>3308060</b>	H-1002-A	<b>A</b> Exposed Wheel Handle Repair Kit*
<b>0308615</b>	H-623	<b>B</b> Bonnet, chrome plated
<b>3308855</b>	H-541-AWH	<b>C</b> Control Stop Repair Kit*

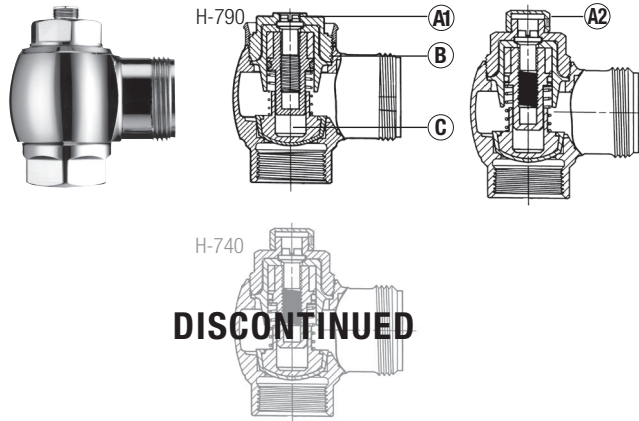
\*Refer to page 109 for diagrams of Stop Caps and page 110 for the components supplied in our Control Stop Repair Kits.



# Control Stop

## CONTROL STOP AND REPLACEMENT PARTS

**H-740 Stop, chrome plated: Screwdriver Angle Stop with H-37 Cap (Regal® Valve Stop) – DISCONTINUED**  
**H-790 Stop, chrome plated: Screwdriver Angle Stop with Vandal Resistant Cap (for Regal or Regal XL Valve Stop)**



Code No.	Part No.	Description
----------	----------	-------------

**Complete Stops For Regal® flushometers**

0388031	H-740-A	3/4" NPTF inlet for adjustable tail – <b>DISCONTINUED</b>
0388029	H-740-A	1" NPTF inlet for adjustable tail – <b>DISCONTINUED</b>
0388040	H-740-AG	3/4" NPTF inlet for ground joint tail – <b>DISCONTINUED</b>
0388028	H-740-AG	1" NPTF inlet for ground joint tail – <b>DISCONTINUED</b>

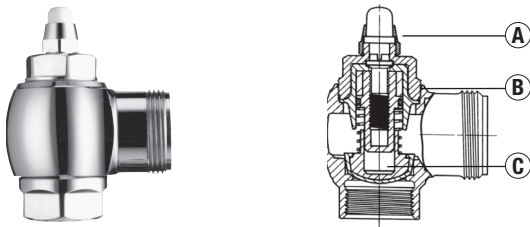
**Complete Stops For Regal® "XL" flushometers**

0388064	H-790-A	3/4" NPTF inlet for adjustable tail
0388065	H-790-A	1" NPTF inlet for adjustable tail
0388068	H-790-AG	3/4" NPTF inlet for ground joint tail
0388067	H-790-AG	1" NPTF inlet for ground joint tail

**Repair Parts**

5388002	H-528	Ⓐ Hole Plug
5388001	H-1012-A	Ⓐ Vandal Resistant Socket Cap*, chrome plated with set screw, for Regal "XL" flushometer – 6 per package
0308612	H-622	Ⓑ Bonnet, chrome plated
3308853	H-541-ASD	Ⓒ Control Stop Repair Kit*

**H-745 Stop, chrome plated: Screwdriver Angle Stop with J-2/J-7 Bumper (for Regal® Valve Stop) (-Y0/-YG Variations) – DISCONTINUED**



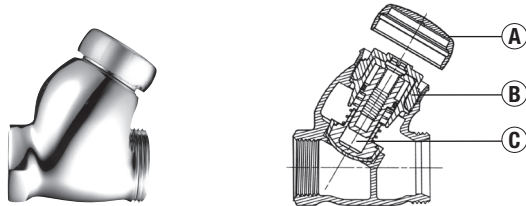
**Complete Stops**

0388035	H-725-A	1" NPTF inlet for adjustable tail
---------	---------	-----------------------------------

**Repair Parts**

5310034	J-2/J-7	Ⓐ Cap*, chrome plated – 6 per package <b>DISCONTINUED</b>
0308991	H-639	Ⓑ Bonnet, chrome plated – <b>DISCONTINUED</b>
3308853	H-541-ASD	Ⓒ Control Stop Repair Kit* – <b>DISCONTINUED</b>

**H-750 Stop, chrome plated: Screwdriver Straight Stop with H-1010-A Vandal Resistant Cap**



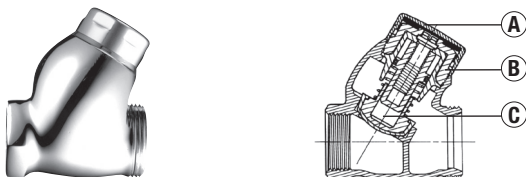
**Complete Stops**

3308389	H-750-AG	1" NPTF inlet for ground joint tail
---------	----------	-------------------------------------

**Repair Parts**

3308772	H-1010-A	Ⓐ Vandal Resistant Cap*, chrome plated
0308612	H-622	Ⓑ Bonnet, chrome plated
3308853	H-541-ASD	Ⓒ Control Stop Repair Kit*

**H-760 Stop, chrome plated: Screwdriver Straight Stop with H-573-A Locking Vandal Resistant Cap**



**Complete Stops**

0388023	H-760-AG	1" NPTF inlet for ground joint tail
---------	----------	-------------------------------------

**Repair Parts**

0308738	H-573-A	Ⓐ Locking Vandal Resistant Cap*, chrome plated
0308612	H-622	Ⓑ Bonnet, chrome plated
3308853	H-541-ASD	Ⓒ Control Stop Repair Kit*

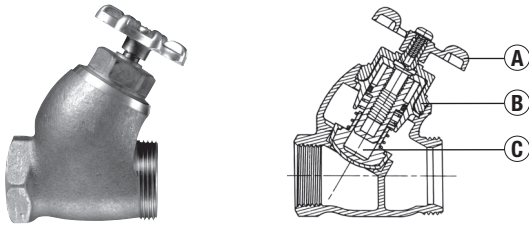
\*Refer to page 109 for diagrams of our Stop Caps and page 110 for the components supplied in our Control Stop Repair Kits.



## Control Stop

### CONTROL STOP AND REPLACEMENT PARTS

#### H-770 Stop, rough brass: Concealed Wheel Handle Straight Stop



#### Complete Stops

**0388030** H-770-AG 1" NPTF inlet for ground joint tail

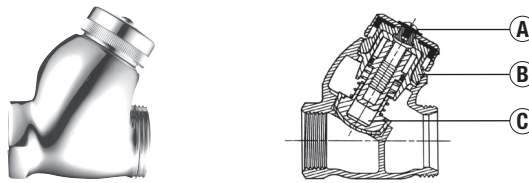
#### Repair Parts

**3308872** H-1011-A **A** Concealed Wheel Handle Repair Kit\*

**0208083** H-623 **B** Bonnet, rough brass

**3308860** H-1006-A **C** Control Stop Repair Kit\*

#### H-775 Stop, chrome plated: Exposed Wheel Handle Straight Stop



#### Complete Stops

**0388036** H-775-AG 1" NPTF inlet for ground joint tail

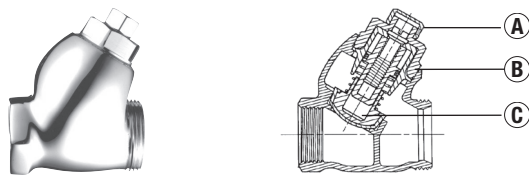
#### Repair Parts

**3308060** H-1002-A **A** Exposed Wheel Handle Repair Kit\*

**0308615** H-623 **B** Bonnet, chrome plated

**3308855** H-541-AWH **C** Control Stop Repair Kit\*

#### H-780 Stop, chrome plated: Screwdriver Straight Stop with H-37 Cap (Regal® Valve Stop) and H-795 Stop, chrome plated: Screwdriver Straight Stop with Vandal Resistant Cap (for Regal or Regal XL Valve Stop)



#### Complete Stops For Regal® flushometers

**0388027** H-780-AG 1" NPTF inlet for ground joint tail – **DISCONTINUED**

#### Complete Stops For Regal® "XL" flushometers

**0388079** H-795-AG 1" NPTF inlet for ground joint tail

#### Repair Parts

**5388001** H-1012-A **A** Vandal Resistant Socket Cap\*, chrome plated with set screw, for Regal "XL" flushometer – 6 per package

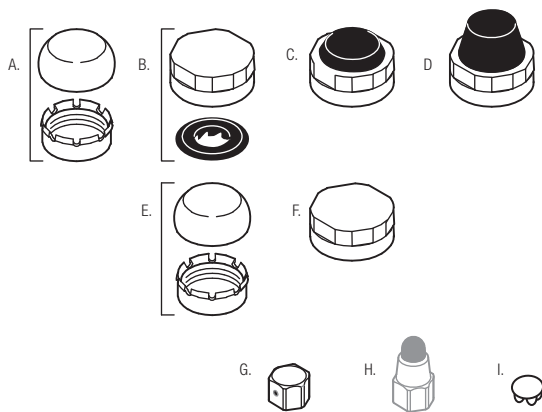
**0308991** H-639 **B** Bonnet, chrome plated

**3308853** H-541-ASD **C** Control Stop Repair Kit\*

For H-790 Stop, refer to information shown for H-740 and H-790 Stops  
For H-795 Stop, refer to information shown for H-780 and H-795 Stops

### CONTROL STOP AND REPLACEMENT PARTS FOR H-540, H-600 AND H-700 SERIES CONTROL STOPS

#### Replacement Stop Caps for Screwdriver Control Stops for H-540, H-600, and H-700 Series Control Stops



#### For 1" H-600 and H-700 Series Stops and 3/4" H-700 Series Stops

Item No.	Code No.	Part No.	Description
A.	<b>3308772</b>	H-1010-A	Vandal Resistant Stop Cap, chrome plated, with Sleeve
	<b>5308954</b>	H-628	Plastic Sleeve only – 6 per package
B.	<b>3308840</b>	H-573-A	Locking Vandal Resistant Stop Cap, chrome plated
C.	<b>3308866</b>	H-574	Stop Cap, chrome plated with Seat Bumper (-YO)
D.	<b>3308867</b>	H-576	Stop Cap, chrome plated with Extended Seat Bumper (-YG)

#### For 3/4" H-600 Series Stops

E.	<b>3308790</b>	H-1009-A	Vandal Resistant Stop Cap, chrome plated, with Sleeve and 3/4" Bonnet
	<b>5308952</b>	H-614	Plastic Sleeve only – 6 per package
F.	<b>0308848</b>	H-582	Stop Cap, chrome plated

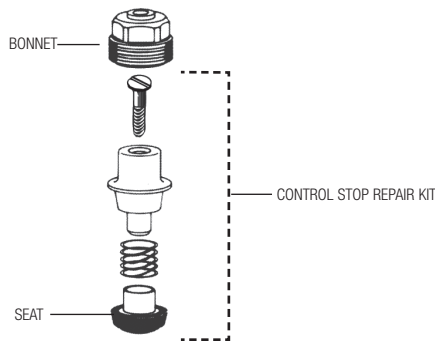
#### For all H-40, H-440, H-540 and H-740 Series Stops

G.	<b>5388001</b>	H-1012-A	Vandal Resistant Stop Cap with set screw, chrome plated – 6 per package
H.	<b>5310034</b>	J-2/J-7	Stop Cap, chrome plated with Seat Bumper – 6 per package – <b>DISCONTINUED</b>
I.	<b>5388002</b>	H-528	Hole Plug

## Control Stop

### CONTROL STOP AND REPLACEMENT PARTS FOR H-540, H-600 AND H-700 SERIES CONTROL STOPS

#### Screwdriver Control Stop Repair Kits



Code No.	Part No.	Description
----------	----------	-------------

#### Complete Repair Kits

<b>3308853</b>	H-541-ASD	For 1" H-540, H-600 and H-700 Series Stops and 3/4" H-700 Series Stops
<b>3308856</b>	H-543-ASD	For 3/4" H-540 and H-600 Series Stops

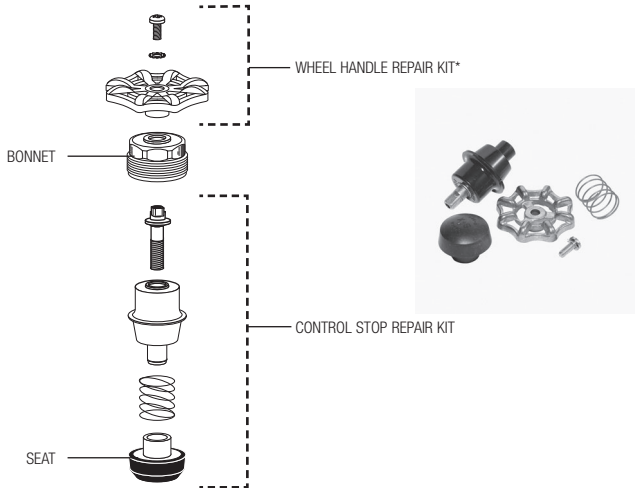
#### Bonnets

<b>0308612</b>	H-622	For 1" H-600 and H-700 Series Stops and 3/4" H-700 Series Stops
<b>0308991</b>	H-639	For 1" H-540 and H-740 Series Stops and 3/4" H-740 Series Stops
<b>0308843</b>	H-577	For 3/4" H-600 Series Stops – <b>DISCONTINUED</b>
<b>0308601</b>	H-538	For 3/4" H-540 Series Stops – <b>DISCONTINUED</b>

#### Seat only – 6 per package

<b>5308850</b>	H-584	For 1" H-540, H-600 and H-700 Series Stops and 3/4" H-700 Series Stops
<b>5308836</b>	H-569	For 3/4" H-540 and H-600 Series Stops

#### Concealed Wheel Handle Control Stop Repair Kits – Note: Repair Kit includes H-1011-A Wheel Handle Repair Kit



#### Complete Repair Kits

<b>3308860</b>	H-1006-A	For 1" H-540, H-600 and H-700 WH Series Stops and 3/4" H-700 WH Series Stops
<b>3308859</b>	H-1007-A	For 3/4" H-540 and H-600 Series Stops

#### Wheel Handle Repair Kit — Note: Repair Kit includes handle, screw and lockwasher

<b>3308872</b>	H-1011-A	For all Concealed Wheel Handle Stops
----------------	----------	--------------------------------------

#### Bonnets

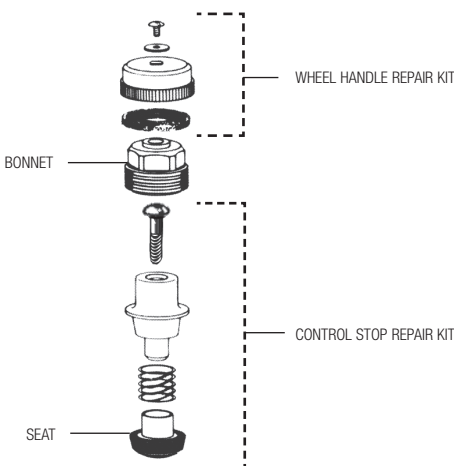
<b>0208083</b>	H-623	For 1" H-540, H-600 and H-700 WH Series Stops and 3/4" H-700 Series Stops
<b>0308705</b>	H-561	For 3/4" H-540, H-600 Series Stops – <b>DISCONTINUED</b>

#### Seat only – 6 per package

<b>5308850</b>	H-584	For 1" H-540, H-600 and H-700 WH Series Stops and 3/4" H-700 WH Series Stops
<b>5308836</b>	H-569	For 3/4" H-540 and H-600 Series Stops

NOTE: H-540 and H-600 Series concealed wheel handle stops made prior to 1993 featured a design identical to the exposed wheel handle design. These stops can be repaired using an exposed wheel handle repair kit or converted to the current design by using a concealed wheel handle repair kit.

#### Exposed Wheel Handle Control Stop Repair Kits



#### Complete Repair Kits

<b>3308855</b>	H-541-AWH	For 1" H-540, H-600 and H-700 WH Series Stops and 3/4" H-700 Series Stops
<b>3308858</b>	H-543-AWH	For 3/4" H-540 and H-600 Series Stops

#### Wheel Handle Repair Kit — Note: Repair Kit includes handle, washer, screw and lockwasher

<b>3308060</b>	H-1002-A	For all Exposed Wheel Handle Stops
<b>5308059</b>	H-1003-A	Screw and Lockwasher only – 12 per package

#### Bonnets

<b>0308615</b>	H-623	For 1" H-540, H-600 and H-700 WH Series Stops and 3/4" H-700 Series Stops
<b>0308705</b>	H-561	For 3/4" H-540 and H-600 Series Stops <b>DISCONTINUED</b>


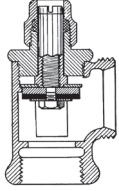

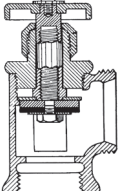

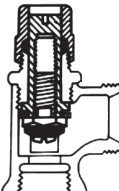

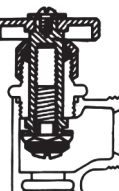

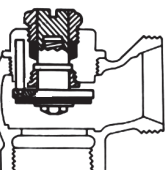

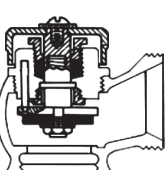
#### Seat only – 6 per package

<b>5308850</b>	H-584	For 1" H-540, H-600 and H-700 WH Series Stops and 3/4" H-700 WH Series Stops
<b>5308836</b>	H-569	For 3/4" H-540 and H-600 Series Stops

NOTE: 1" and 3/4" H-700 Series stops use "common stop" repair kits. 1" and 3/4" H-540 and H-600 Series stops use stop repair kits unique to each size. See the "common stop" on page 102 for more details.

## Control Stop

### CONTROL STOP AND REPLACEMENT PARTS FOR OLDER CONTROL STOPS

	Code No.	Part No.	Description
<b>H-10-A 1" Screwdriver Angle Stop, (also fits H-15-A 1" Screwdriver Straight Stop) — used from 1920's through 1940's</b>			
 	5308077	H-12	Packing only – 12 per package
	—	—	Bonnet no longer available
<b>H-10-A 1" Wheel Handle Angle Stop (also fits H-15-A 1" Wheel Handle Straight Stop) — Used from 1920's through 1940's</b>			
 	5308077	H-12	Packing only – 12 per package
	—	—	Bonnet no longer available
<b>H-20-A 1/2" and 3/4" Screwdriver Angle Stop (also fits H-30-A Screwdriver Straight Stop) — Used from 1920's through 1950's</b>			
 	5308077	H-12	Packing only – 12 per package
	—	—	Bonnet no longer available
<b>H-20-A 1/2" and 3/4" Wheel Handle Angle Stop (also fits H-30-A Wheel Handle Straight Stop) — Used from 1920's through 1950's</b>			
 	5308077	H-12	Packing only – 12 per package
	—	—	Bonnet no longer available
<b>H-40-A 3/4" and 1" Screwdriver Angle Stop (also fits H-45-A Screwdriver Straight Stop) — Used from 1930's through 1960's</b>			
 	3308277	H-47-A-SD	Repair kit includes packing ring, key socket, lock shield, retaining ring, screw assembly, and packing
	0308176	H-39-A-SD	Bonnet assembly repair kit includes a bonnet assembled with packing ring, key socket, retaining ring, screw assembly, and packing plus our H-37 Vandal Resistant Stop Cap that replaces the lock shield
	5308077	H-12	Packing only – 12 per package
	0308167	H-39	Bonnet Only
<b>H-40-A 3/4" and 1" Wheel Handle Angle Stop (also fits H-45-A Wheel Handle Straight Stop) — Used from 1930's through 1960's</b>			
 	3308278	H-47-A-WH	Repair kit includes packing ring, screw, wheel handle, key stem, gland for wheel handle, retaining gland, screw assembly, washer and packing
	0308175	H-39-A-WH	Bonnet assembly repair kit includes a bonnet assembled with packing ring, screw, wheel handle, key stem, gland for wheel handle, retaining gland, screw assembly, washer and packing
	5308077	H-12	Packing only – 12 per package
	0308170	H-39	Bonnet Only

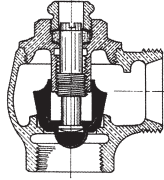
**NOTE: STOPS PRIOR TO 1964 WERE GROUND JOINT**

## Control Stop

### CONTROL STOP AND REPLACEMENT PARTS

Code No.	Part No.	Description
----------	----------	-------------

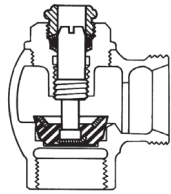
#### H-340-A 3/4" and 1" Screwdriver and Wheel Handle Angle Stops — Used from 1940's through 1950's



The only replacement part available for this stop is the rubber plug.

<b>0308433</b>	H-382-A	Rubber Plug
----------------	---------	-------------

#### H-440-A 3/4" Screwdriver Angle Stop — Used from 1950's through 1960's



<b>3308442</b>	H-484-A-SD	Repair kit includes lock shield, packing, key stem, rubber plug, and packing ring
----------------	------------	-----------------------------------------------------------------------------------

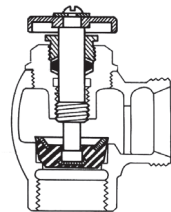
<b>0308432</b>	H-439-AU	Bonnet assembly repair kit includes a bonnet assembled with packing, key stem, rubber plug, and packing ring plus our H-37 Vandal Resistant Stop Cap that replaces the lock shield
----------------	----------	------------------------------------------------------------------------------------------------------------------------------------------------------------------------------------

<b>0308434</b>	H-439	Bonnet
----------------	-------	--------

<b>0308490</b>	H-484-A	Rubber Plug
----------------	---------	-------------

<b>5308077</b>	H-12	Packing only – 12 per package
----------------	------	-------------------------------

#### H-440-A 3/4" Wheel Handle Angle Stop — Used from 1950's through 1960's

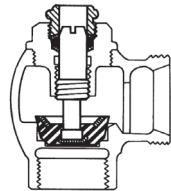


<b>0308435</b>	H-439	Bonnet
----------------	-------	--------

<b>0308490</b>	H-484-A	Rubber Plug
----------------	---------	-------------

<b>5308077</b>	H-12	Packing only – 12 per package
----------------	------	-------------------------------

#### H-440-A 1" Screwdriver Angle Stop (also fits H-445-A Screwdriver Straight Stop) — Used from 1950's through 1960's



<b>3308453</b>	H-482-A-SD	Repair kit includes lock shield, packing, key stem, rubber plug, and packing ring
----------------	------------	-----------------------------------------------------------------------------------

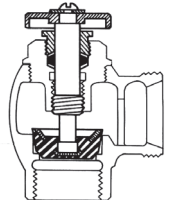
<b>0308428</b>	H-439-A	Bonnet assembly repair kit includes a bonnet assembled with packing ring, key socket, retaining ring, screw assembly, and packing plus our H-37 Vandal Resistant Stop Cap that replaces the lock shield
----------------	---------	---------------------------------------------------------------------------------------------------------------------------------------------------------------------------------------------------------

<b>0308434</b>	H-439	Bonnet
----------------	-------	--------

<b>0308489</b>	H-482-A	Rubber Plug
----------------	---------	-------------

<b>5308077</b>	H-12	Packing only – 12 per package
----------------	------	-------------------------------

#### H-440-A 1" Wheel Handle Angle Stop (also fits H-445-A Wheel Handle Straight Stop) — Used from 1950's through 1960's



<b>0308435</b>	H-439	Bonnet
----------------	-------	--------

<b>0308489</b>	H-482-A	Rubber Plug
----------------	---------	-------------

<b>5308077</b>	H-12	Packing only – 12 per package
----------------	------	-------------------------------

NOTE: H-440 Series control stops were used with Sloan's "Quiet Flush" flushometer models.

NOTE: All obsolete control stops are for ground joint tailpiece connections.

NOTE: Sloan has made other stops up to 1964. If you have an older stop that is not listed on these two pages, the repair parts are obsolete. Prior to 1964, all stops were ground joint connections; the H-700-AG series stops, 3/4" and 1" angle stops, and 1" straight stops, are the current replacement.

## Control Stop

### THE "COMMON STOP"

In 1996, Sloan began using the H-700 series of control stops with all flushometers. This "common stop" offers 3/4" and 1" supply inlet size options, yet uses a single repair kit for both urinal and water closet stops. This change primarily affects the H-700 series 3/4" stops, which now use the same repair kit as 1" stops. Repair kits for the smaller H-540 and H-600 3/4" stops remain available and are included in this section.

The "common stop" body offers precise control over flow rates delivered through the valve. This feature is important, especially for 1-gallon urinal designs. This finite flow adjustment makes the difference between a proper flush and an ineffective flush that splashes and spills.

The "common stop" internal components are interchangeable with their counterparts in older H-600 and H-540 stops. The distinctively contoured seat plug in the "common stop" allows a finer flow rate adjustment similar to that of a needle valve. Unlike natural rubber components that can be destroyed by water treatment products, our synthetic Permex™ rubber seat plugs resist the effects of chloramines. Our stop spring, formerly brass, is now constructed of stainless steel. This helps prevent corrosion from the increasingly aggressive water supplies we see today.

All complete "common stops" now have bonnets stamped with an H-700 series number. Both exposed and concealed wheel handle stops are stamped H-700-WH series. The H-740 and H-780 stops that replace the H-540 series stops used with Regal valves are stamped H-740 series.

### CONTROL STOP DESIGNS

#### Supply Inlets

Sloan supplies control stops in two basic inlet sizes:

1. 3/4" NPTF — For most urinal flushometers
2. 1" NPTF — For all water closet flushometers and blow-out urinal flushometers

Control stops are also available in some models with the following inlets for specialized and export applications:

1. 1" Whitworth thread
2. 1" BSP British Standard Pipe inlet
3. 1" NSPM Straight thread — for use with shipboard Sil-Braz fittings

#### Tailpiece Connections

The majority of flushometers supplied by Sloan since 1964 feature an adjustable tailpiece. Connection of the valve tailpiece to the control stop is made with a sliding O-ring seal.

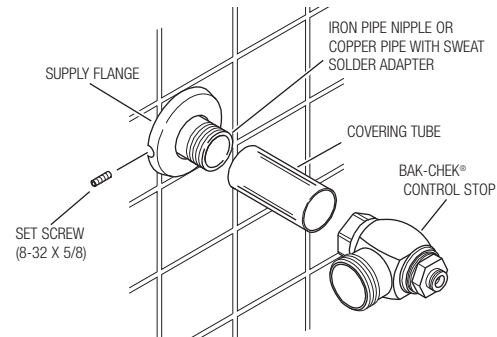
Older valves (produced before 1964), and valves furnished for salt-water installations, and all straight stops utilized a metal-to-metal ground joint (G.J) connection.

When replacing an older stop, it is important to note which type of stop connection is required.

Stops for use with salt water must be made from Naval brass.

### GENERAL INSTALLATION INSTRUCTIONS

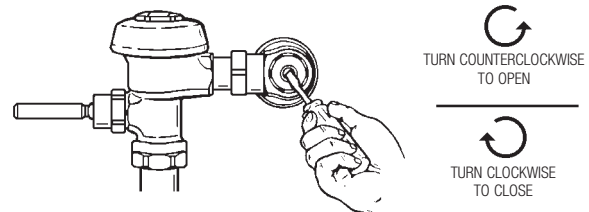
Install the Sloan Bak-Chek® control stop to water supply line with outlet positioned as required. Tighten the control stop coupling with a wrench.



### CONTROL STOP ADJUSTMENT

After installation or service, readjust the control stop to meet the flow rate required for the proper cleansing of the fixture. Open the control stop COUNTERCLOCKWISE one full turn from the closed position. Activate flushometer.

Adjust control stop after each flush until the rate of flow delivered properly cleanses the fixture. Turn the control stop adjustment screw (or wheel handle) COUNTERCLOCKWISE to increase the flow rate or CLOCKWISE to decrease the flow rate.



**Important: A Sloan flushometer is engineered for quiet operation. Excessive water flow creates noise, while too little water flow may not satisfy the needs of the fixture. Proper adjustment is made when the plumbing fixture is cleansed after each flush without splashing water out from the lip AND a quiet flushing cycle is achieved.**

The control stop should never be opened to the point where the flow from the valve exceeds the flow capability of the fixture. In the event of a valve failure, the fixture must be able to accommodate a continuous flow from the valve.

### MAINTENANCE AND CLEANING

Control stops have moving parts that may wear over time. Deterioration of rubber parts may result in an incomplete seal. If you can not shut off the stop completely, or if leakage is visible at the adjustment screw, order one of our control stop repair kits and rebuild the control stop.

**DO NOT USE** abrasive or chemical cleaners to clean flushometers. These cleaners may dull the luster and attack the chrome or special decorative finishes. Use **ONLY** mild soap and water, and then wipe dry with a clean cloth or towel. While cleaning the bathroom tile, protect the flushometer from any splattering of cleaner. Acids and cleaning fluids can discolor or remove chrome plating.



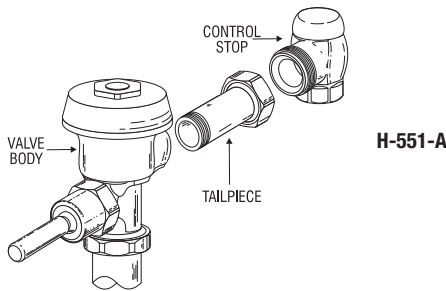
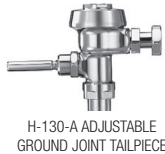
## Tailpiece

### TAILPIECES

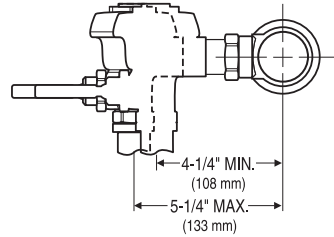


The tailpiece is the connection between the valve body and the control stop. Sloan adjustable and ground joint tailpieces are threaded into the valve body at the factory. Sloan tailpieces are available in a variety of lengths to accommodate installation rough-in errors and unique installation requirements.

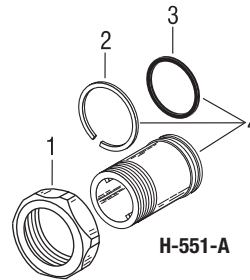
Sloan flushometer brands feature three types of tailpiece connections:



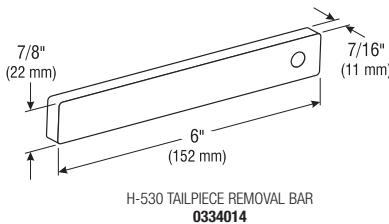
### H-551-A ADJUSTABLE TAILPIECE CONNECTION



The majority of flushometers supplied by Sloan since 1964 feature the H-551-A adjustable tailpiece. The valve tailpiece connects to the control stop with a sliding O-ring seal. The H-551-A adjustable tailpiece standard length is 2-1/16" (54 mm). This is designed for a standard flushometer installation in which the distance between the centerline of the valve and the centerline of the water supply inlet is 4-3/4" (121 mm). The adjustable tailpiece allows for a variance of ±1/2" (13 mm) from this nominal dimension.



### TAILPIECE REPLACEMENT



Sloan adjustable and ground joint tailpieces are assembled into the valve body using a pipe thread. Significant force is used to drive the tailpiece into the valve body. As such, removal of the old tailpiece may be difficult.

For replacement, we recommend using the **H-530 tailpiece removal bar** (Code No. **0334014**). Remove the flushometer cover and interior parts. Secure the tailpiece removal bar vertically in a vice. Place the flushometer tailpiece over the bar. The cast lugs inside the tailpiece will catch on the bar. Insert a length of 3/4" pipe into the barrel of the valve body. Unscrew tailpiece from valve body.

Assemble the new tailpiece into the valve body in the reverse manner. Use teflon tape (or pipe sealant) on tailpiece pipe threads. Ensure that both the coupling and the locking ring (adjustable tailpiece only) are on the tailpiece before tightening the assembly. Do NOT use sealant on the first few threads of the tailpiece.

#### Item

Item No.	Code No.	Part No.	Description
1.	<b>0308676</b>	H-550	Coupling CP
	<b>0308690</b>	H-550	Coupling RB
2.	<b>5308381</b>	H-552	Locking Ring – 12 per package
3.	<b>5308696</b>	H-553	O-Ring – 24 per package
4.	<b>0308801</b>	H-551-A	2-1/16" (53 mm) Tailpiece Assembly† CP
	<b>0308802</b>	H-551-A	2-1/16" (53 mm) Tailpiece Assembly† RB
	<b>0308803</b>	H-551-A	3-1/16" (78 mm) Tailpiece Assembly† CP
	<b>0308805</b>	H-551-A	4-1/16" (103 mm) Tailpiece Assembly† CP
	<b>0308807</b>	H-551-A	5-1/16" (129 mm) Tailpiece Assembly† CP
	<b>0308809</b>	H-551-A	6-1/16" (154 mm) Tailpiece Assembly† CP

† Each tailpiece assembly includes an H-553 O-Ring and an H-552 locking ring.

Abbreviations: CP: chrome plated; RB: rough brass

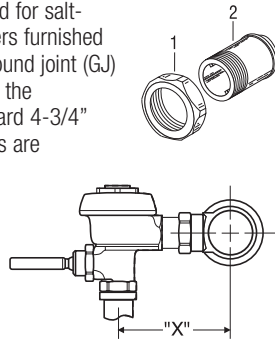
Sloan Valve Company can also provide products not shown in our current catalog. For our special finishes, consult factory for part numbers.

## Tailpiece

### NH-5 GROUND JOINT TAILPIECE CONNECTION

Older valves (prior to 1964), valves furnished for salt-water installations, and all Sloan flushometers furnished with straight stops use a metal-to-metal ground joint (GJ) tailpiece connection. The standard length of the H-5 tailpiece is 1-3/4" (44 mm) for a standard 4-3/4" (121 mm) rough-in dimension; other lengths are available in 1/4" (6 mm) increments.

The ground joint tailpiece connection cannot be adjusted in the field, so rough-in must be exact. Replacement NH-5 tailpieces can compensate for rough-in errors.



### CHROME PLATED COMPONENTS

Item No.	Code No.	Description
1.	<b>0308063</b>	H-6 Coupling
2.	<b>See below</b>	NH-5 Ground Joint Tailpiece
		<b>"X"</b> <b>Tailpiece Length</b>
	<b>0308019</b>	4-1/4" (108 mm)    1-1/4" (32 mm)
	<b>0308023</b>	4-1/2" (114 mm)    1-1/2" (38 mm)
	<b>0308026</b>	4-3/4" (121 mm)    1-3/4" (44 mm)
	<b>0308030</b>	5" (127 mm)        2" (51 mm)
	<b>0308031</b>	5-1/4" (133 mm)    2-1/4" (57 mm)
	<b>0308033</b>	5-1/2" (140 mm)    2-1/2" (64 mm)
	<b>0308034</b>	5-3/4" (146 mm)    2-3/4" (70 mm)
	<b>0308035</b>	6" (152 mm)        3" (76 mm)
	<b>0308037</b>	6-1/4" (159 mm)    3-1/4" (83 mm)
	<b>0308038</b>	6-1/2" (165 mm)    3-1/2" (89 mm)
	<b>0308040</b>	6-3/4" (171 mm)    3-3/4" (95 mm)
	<b>0308041</b>	7" (178 mm)        4" (102 mm)
	<b>0308042</b>	7-1/4" (184 mm)    4-1/4" (108 mm)
	<b>0308043</b>	7-1/2" (191 mm)    4-1/2" (114 mm)
	<b>0308044</b>	7-3/4" (197 mm)    4-3/4" (121 mm)
	<b>0308045</b>	8" (203 mm)        5" (127 mm)
	<b>0308047</b>	8-1/2" (216 mm)    5-1/2" (140 mm)
	<b>0308050</b>	9" (229 mm)        6" (152 mm)

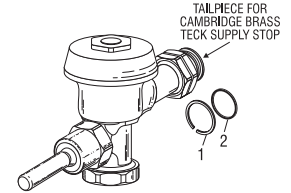
### ROUGH BRASS COMPONENTS

1.	<b>0308063</b>	H-6 Coupling
2.	<b>See below</b>	NH-5 Ground Joint Tailpiece
		<b>"X"</b> <b>Tailpiece Length</b>
	<b>0308028</b>	4-3/4" (121 mm)    1-3/4" (44 mm)

NOTE: "X" indicates the distance between the centerline of valve and the centerline of the water supply. Ground joint couplings are notched for identification.

### "XDT" FLUSHOMETER FOR CANADIAN TECK VALVES

Sloan can provide a flushometer with a tailpiece that can connect to a Cambridge Brass Teck (Wal-teck) supply stop. This special valve assembly is specified as our "-XDT" variation. This tailpiece cannot be replaced in the field.

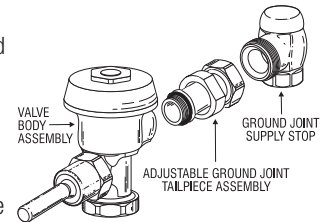


#### Item

No.	Code No.	Part No.	Description
1.	<b>5308934</b>	H-501	Locking Ring – 6 per package
2.	<b>5308958</b>	H-589	O-Ring – 6 per package

### H-130-A ADJUSTABLE GROUND JOINT TAILPIECE CONNECTION

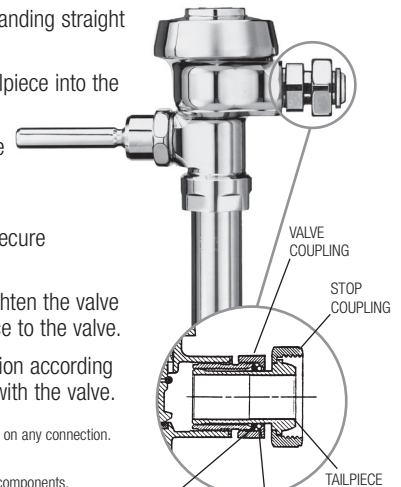
To accommodate adjustability in a ground joint connection, Sloan developed the H-130-A adjustable ground joint tailpiece connection. This is commonly supplied on valves used in retrofit applications where an existing ground joint supply stop (made by either Sloan or another manufacturer) is utilized. The H-130-A tailpiece is supplied as our "-XD" variation and requires a special valve body. It **cannot** be used to replace an H-551-A or an H-5 tailpiece.



### TO INSTALL THE ADJUSTABLE GROUND JOINT TAILPIECE:

NOTE: flushometer should be standing straight and not leaning to either side.

- Screw threaded end of the tailpiece into the flushometer body.
- Continue turning until tailpiece matches up to the end of the existing supply stop.
- Tighten the stop coupling to secure the valve to the supply stop.
- Using a flat-jawed wrench, tighten the valve coupling to secure the tailpiece to the valve.
- Continue flushometer installation according to the instructions packaged with the valve.



NOTE: DO NOT use pipe dope or thread sealant on any connection. Lubricate O-ring ONLY with water!

O-ring and stop ring are available as individual components. All other items are sold only in H-130-A tailpiece Retrofit Kit (see table below).

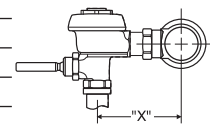
**H-127 O-RING – 6 PER PACKAGE 5308973**

**H-128 STOP RING – 6 PER PACKAGE 5308974**

### TAILPIECE RETROFIT KIT

#### (WHEN USED WITH GROUND JOINT SUPPLY STOP)

Code No.	"X" †	Part No.
<b>0308976</b>	4-3/4" (121 mm)	H-130-A-1 †
<b>0308983</b>	5-3/4" (146 mm)	H-130-A-2
<b>0308984</b>	6-3/4" (171 mm)	H-130-A-3
<b>0308979</b>	7-3/4" (197 mm)	H-130-A-4



† When used with a Sloan ground joint supply stop, the tailpiece can be adjusted to a shorter or longer length (± 1/2" or 12 mm from the "X" dimension shown). When used with Delany ground joint supply stop, the tailpiece can be adjusted up to 1" (25 mm) longer from the "X" dimension shown.

‡ Unless otherwise specified, the H-130-A-1 tailpiece is furnished as standard with all "-XD" variation flushometer valves.

## Flushometer Body Sub-assemblies

The tailpiece is the connection between the valve body and the control stop. Sloan adjustable tailpieces are threaded into the valve body at the factory. Sloan tailpieces are available in a variety of lengths to accommodate installation rough-in errors and unique installation requirements.

### **A3A CP FLUSHOMETER BODY ASSEMBLIES**

**A3A CP BODY SUB-ASM 2-1/16 ADJ TAIL**  
0301346PK

**A3A CP BODY SUB-ASM 3-1/16 ADJ TAIL**  
0301629PK

**A3A CP BODY SUB-ASM 4-1/16 ADJ TAIL**  
0301347PK

**A3A CP BODY SUB-ASM 5-1/16 ADJ TAIL**  
0301348PK

**A3A CP BODY SUB-ASM 6-1/16 ADJ TAIL**  
0301349PK

### **EBV36A CP FLUSHOMETER BODY ASSEMBLIES**

**EBV36A CP BODY SUB ASM 2-1/16 ADJ TAIL**  
0305381PK

**EBV36A CP BODY SUB ASM 3-1/16 ADJ TAIL**  
0325075PK

**EBV36A CP BODY SUB ASM 4-1/16 ADJ TAIL**  
0325179PK

The majority of flushometers supplied by Sloan since 1964 feature the H-551-A adjustable tailpiece. The valve tailpiece connects to the control stop with a sliding O-ring seal. The H-551-A adjustable tailpiece standard length is 2-1/16" (54 mm). This is designed for a standard flushometer installation in which the distance between the centerline of the valve and the centerline of the water supply inlet is 4-3/4" (121 mm). The adjustable tailpiece allows for a variance of ±1/2" (13 mm) from this nominal dimension.

### **A3A CP FLUSHOMETER**

#### **BODY ASSEMBLIES**



A-3-A  
2 1/16" Adjustable Tail (0301346PK)



A-3-A CP Body W 3-1/16"  
Adjustable Tail (0301629PK)  
For 5 1/4" - 6 1/4" Rough-in



A-3-A CP Body W 4-1/16" Adjustable Tail  
(0301347PK)  
For 6 1/4" - 7 1/4" Rough-in



A-3-A CP Body W 5-1/16" Adjustable Tail  
(0301348PK)  
For 7 1/4" - 8 1/4" Rough-in



A-3-A CP Body W 6-1/16" Adjustable Tail  
(0301349PK)  
For 8 1/4" - 9 1/4" Rough-in

### **EBV36A CP FLUSHOMETER**

#### **BODY ASSEMBLIES**



EBV-36-A  
2 1/16" Adjustable Tail (0305381PK)



EBV-36-A CP Body W 3-1/16"  
Adjustable Tail (0325075PK)  
For 5 1/4" - 6 1/4" Rough-in



EBV-36-A CP Body W 4-1/16"  
Adjustable Tail (0325179PK)  
For 6 1/4" - 7 1/4" Rough-in

# Vacuum Breaker Trap Primer



### ROYAL® FLUSHOMETER MODELS

- (Features high back pressure vacuum breaker)
- **VBF-72-A1**
- **VBF-73-A2** with 2" (50 mm) offset

### REGAL® FLUSHOMETER MODELS

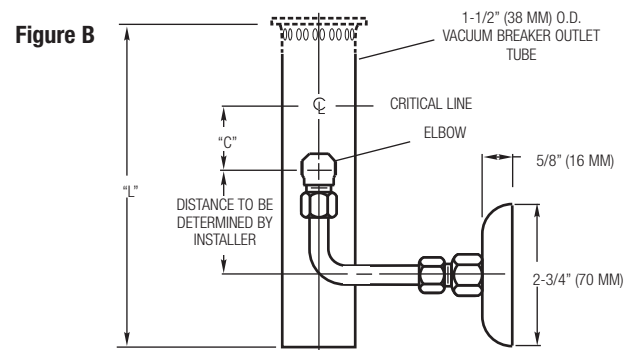
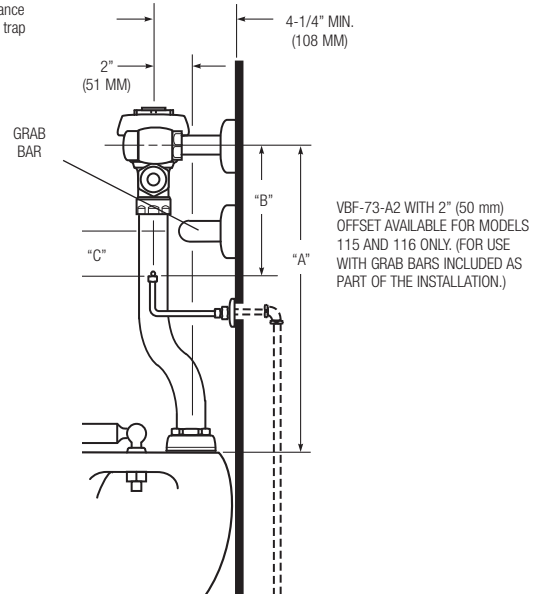
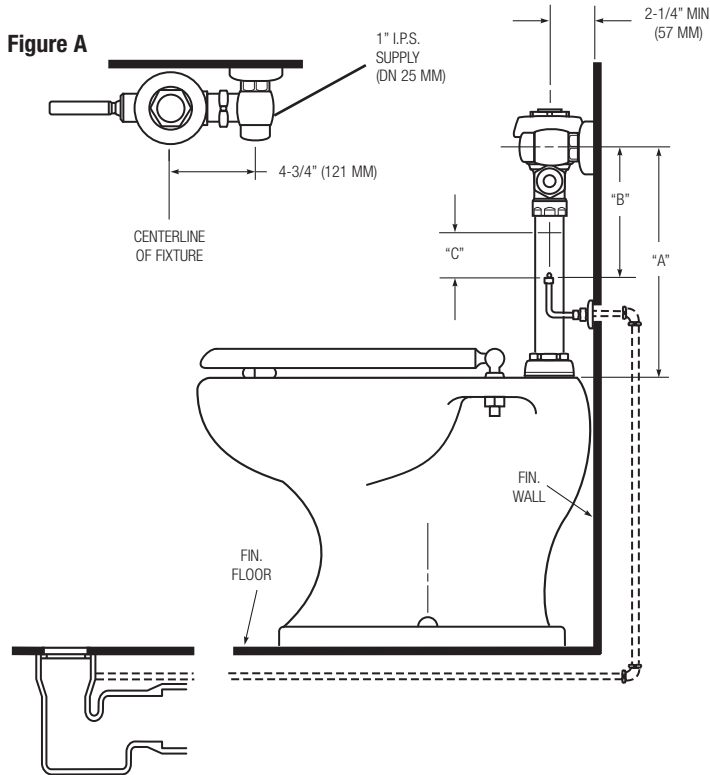
- **VBF-72-A2**
- **VBF-73-A2** with 2" (50 mm) offset

The Sloan vacuum breaker trap primer provides a constant water seal in a floor drain. Each time the flushometer is activated, a small amount of water is diverted to the floor drain to maintain the water seal. This seal prevents objectionable sewer gases from escaping into the air.

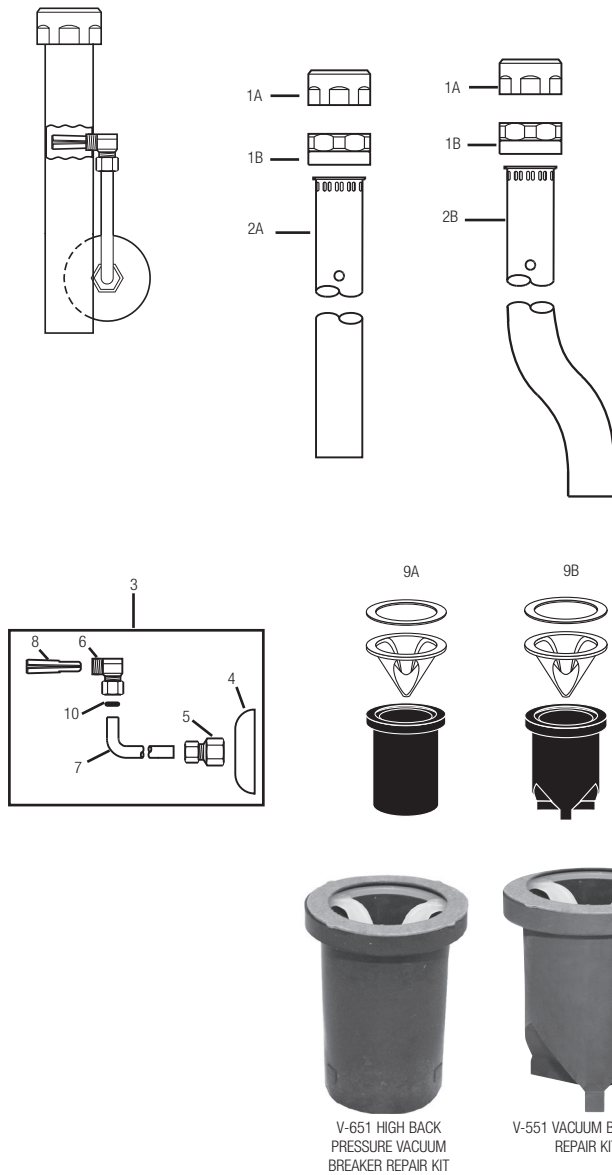
TABLE 1 †

Code No.	For Royal® or Regal® flushometer Model	"L" Length of Vacuum Breaker Flush Connection	"A" Centerline of Supply to Top of Bowl	"B" Centerline of Supply to Trap Primer Outlet	"C" Critical Line to Trap Primer Outlet
<b>VBF-72-A1</b>					
<b>3396075</b>	110/111 †	8-1/2" (216 mm)	11-1/2" (292 mm)	7" (178 mm)	2-1/4" (57 mm)
<b>3396076</b>	113/113-1.6	13" (330 mm)	16" (406 mm)	11" (280 mm)	6-1/4" (159 mm)
<b>3396077</b>	115/115-1.6	21" (533 mm)	24" (610 mm)	11" (280 mm)	6-1/4" (159 mm)
<b>3396078</b>	116/116-1.6	24" (610 mm)	27" (696 mm)	11" (280 mm)	6-1/4" (159 mm)
<b>VBF-73-A2 With 2" (50 mm) Offset</b>					
<b>3396059</b>	115/115-1.6	22-1/2" (572 mm)	25" (635 mm)	11" (280 mm)	6-1/4" (159 mm)

NOTE: For concealed style VB-75-A Trap Primer consult factory.  
 † Refer to Figure A for dimensions "A," "B" and "C." Refer to Figure B for dimensions "L" and "C."  
 ‡ Consult local codes for approval of the use of the VBF-72-A1 trap primer with flushometer models 110 and 111. Some codes require a minimum distance of 6" (153 mm) between the critical line of the vacuum breaker and the trap primer outlet. In these cases, specify models 113, 115 or 116.



## Vacuum Breaker Trap Primer



### PARTS LIST

Item No.	Code No.	Part No.	Description
1A.	<b>0323304</b>	V-579	Vacuum Breaker Coupling for Royal flushometers
1B.	<b>0323120</b>	V-553-A	Vacuum Breaker Coupling Assembly for Regal flushometers
2A.	—	VBF-2	1-1/2" (38 mm) x "L" Vacuum Breaker Outlet Tube (see Table 1 on page 102 for length)
2B.	—	VBF-4	1-1/2" (38 mm) x "L" Vacuum Breaker Outlet Tube with 2" (50 mm) Offset (see Table 1 on page 102 for length)
3.	<b>0396067</b>	F-75-AA	Assembly Kit for Trap Primer
4.	<b>0306164</b>	F-7	Wall Flange
5.	<b>0396083</b>	F-73-A	Tubing Fitting
6.	<b>0396084</b>	F-75-A	Elbow Compression Fitting
7.	<b>0396085</b>	F-76	3/8" (9 mm) x 12" (305 mm) Flexible Tubing
8.	<b>0396089</b>	F-88	Water Deflector
9A.	<b>3323182</b>	V- 651-A	High Back Pressure Vacuum Breaker Repair Kit (standard with Royal flushometers)
9B.	<b>3323192</b>	V- 551-A	Vacuum Breaker Repair Kit (standard with Sloan, Regal, GEM2, Dolphin & Naval flushometers)
10.	—	VBF-9	Restriction Washer

NOTE: For concealed style VB-75-A Trap Primer consult factory.



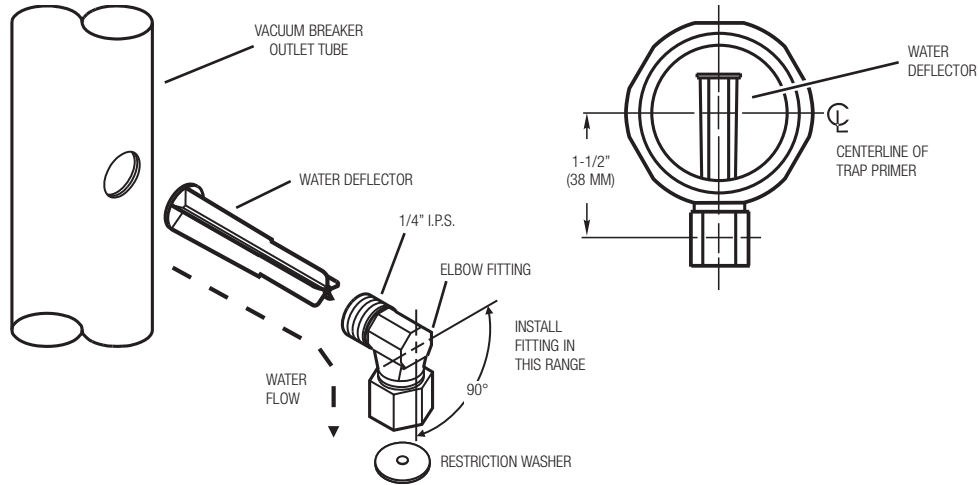
## Vacuum Breaker Trap Primer

### STEP 1 — INSTALL WATER DEFLECTOR AND ELBOW (FIGURE 1)

Insert the smaller end of the black plastic water deflector into the threaded end of the elbow fitting. The flat end of the elbow fitting will face outward from the vacuum breaker.

Place several drops of thread sealant on the threads of the elbow fitting. Insert the elbow fitting and water deflector into the threaded hole of the vacuum breaker tube. Screw the fitting into place. **DO NOT** overtighten this connection. The final position of the elbow should allow water flow from the vacuum breaker in a downward direction.

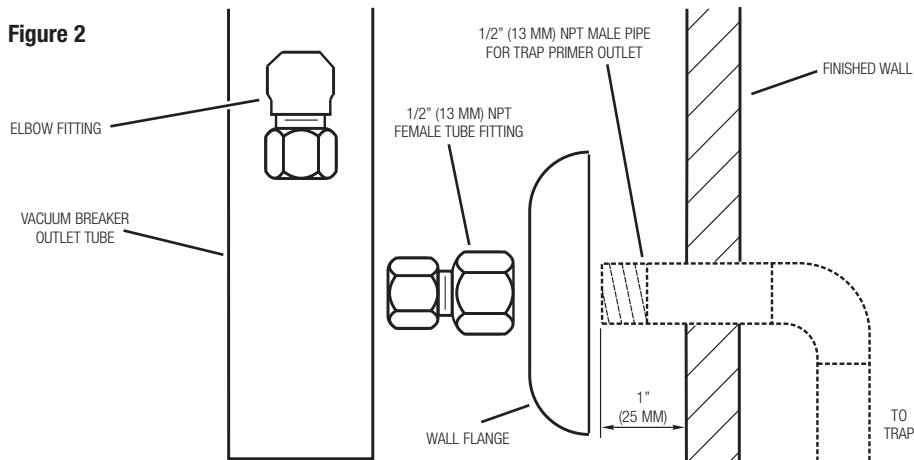
Figure 1



### STEP 2 — INSTALL WALL FLANGE (FIGURE 2)

Place wall flange over the 1/2" (13 mm) NPT male pipe used as the trap primer outlet. Push wall flange until it is flush against the wall. Connect the 1/2" (13 mm) NPT female tube fitting to the pipe. The fitting will help keep the wall flange in position.

Figure 2

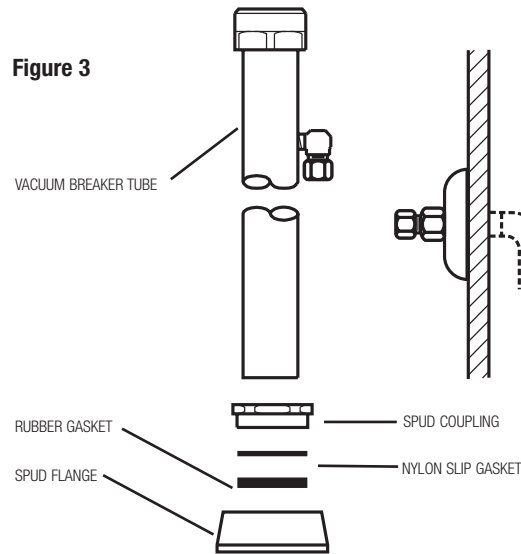


## Vacuum Breaker Trap Primer

### STEP 3 — INSTALL VACUUM BREAKER FLUSH CONNECTION (FIGURE 3)

Slide the spud coupling, nylon slip gasket, rubber gasket and spud flange (all supplied with a standard flushometer vacuum breaker) over the vacuum breaker tube and insert the tube into the fixture spud. Tighten the spud coupling onto the fixture spud by hand.

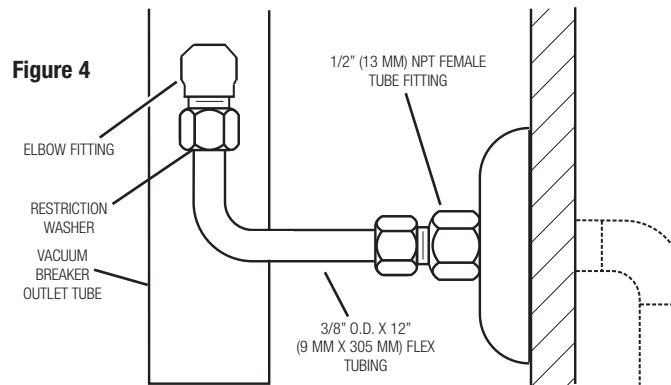
Figure 3



### STEP 4 — INSTALL FLEXIBLE TUBING (FIGURE 4)

Use the 3/8" (9 mm) diameter flex tubing to connect the bottom of the elbow fitting with the restriction washer and the tube fitting at the wall flange. Sloan provides a 12" (305 mm) length of flex tubing. Cut tubing to appropriate length. Tighten compression fittings at both ends of the flex tubing. Complete the valve installation according to the installation instructions included with your Sloan flushometer valve.

Figure 4

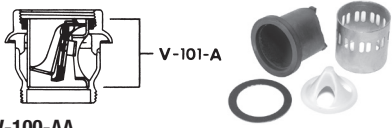


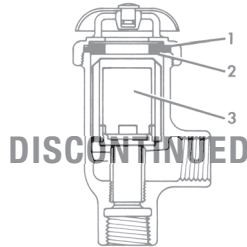
### CARE AND CLEANING INSTRUCTIONS

**DO NOT USE** abrasive or chemical cleaners to clean flushometers, they may dull the luster and attack the chrome finish. Use **ONLY** mild soap and water, and then wipe dry with a clean towel or cloth. When cleaning, protect the exposed flushometer from any splattering of cleaner. Acids and cleaning fluids can discolor or remove chrome plating.

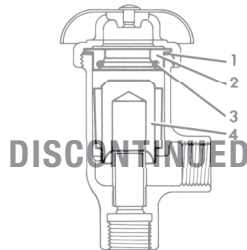
## Small Vacuum Breaker Repair Kits

### SMALL VACUUM BREAKER REPAIR KITS

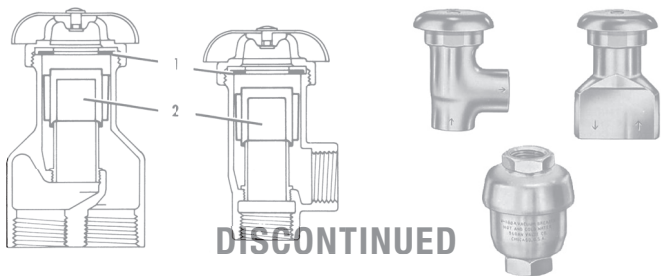
Code No.	Part No.	Description
		
<b>For V-100-A &amp; V-100-AA</b>		
<b>3322079</b>	V-101-A	Repair Kit for V-101-A Vacuum Breaker with 1-1/2" Female IP Inlet and 1-1/2" Male IP Outlet



<b>For V-300-A</b>		
<b>0322151</b>	V-319-A	Repair Kit for V-300-A Vacuum Breaker includes Item Nos. 1-3

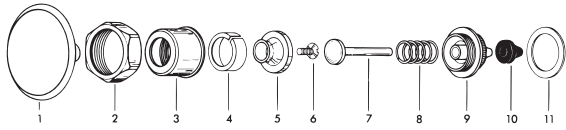


<b>For V-350-A</b>		
<b>3322157</b>	V-1000-A	Repair Kit for V-350-A Vacuum Breaker includes Item Nos. 1-4

Code No.	Part No.	Description
		
<b>DISCONTINUED</b>		
<b>For V-360-A &amp; V-370-A</b>		
<b>3322284</b>	V-382-A	Repair Kit for V-360-A & V-370-A 1/4" includes Item Nos. 1 & 2
<b>3322277</b>	V-362-A	Repair Kit for V-360-A & V-370-A 3/8" includes Item Nos. 1 & 2
<b>3322294</b>	V-388-A	Repair Kit for V-360-A & V-370-A 1/2" includes Item Nos. 1 & 2
<b>3322302</b>	V-392-A	Repair Kit for V-360-A & V-370-A 3/4" includes Item Nos. 1 & 2

NOTE: For suitable replacements, contact factory.

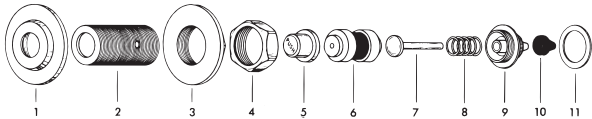
## Push, Pull, Pedal Push and Pedal Handle Push Button



Item

No.	Code No.	Part No.	Description
<b>Repair Kits</b>			
	<b>3303396</b>	C-64-A	Push Button Repair Kit contains item nos. 7-11
	<b>3303347</b>	C-1000-A	Replacement Kit contains item nos. 1,5 & 6
<b>Repair Parts</b>			
1-11.	<b>0303351</b>	C-42-A	Push Button Assembly
1.	*	C-42	3" Push Button CP
2.	<b>0301082</b>	A-6	CP Coupling
3-4.	<b>0302109</b>	B-7-A	Socket
5.	*	C-41	Shank Head
6.	*	C-43	Screw RB
7.	*	B-8-A	Plunger
8.	<b>0303019</b>	C-7	Spring
9.	*	B-49	Bushing
10.	<b>5302297</b>	B-39	Seal
11.	<b>5301139</b>	A-31	Gasket

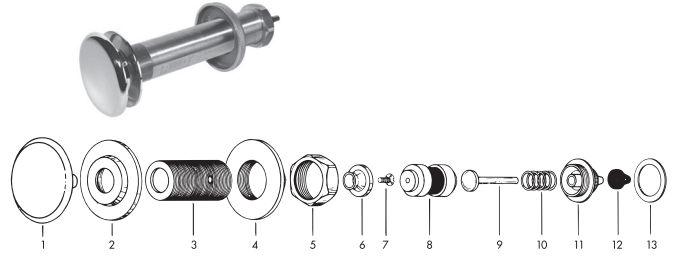
\*Available in kit only.



### Push Button For Concealed Royal® & Crown®

No.	Code No.	Part No.	Description
<b>Item</b>			
<b>Repair Kits</b>			
	—	C-9-A	Complete Push Button Assembly. Items 1-11. Consult factory.
	<b>3303399</b>	C-77-A	Push Button Repair Kit contains item nos. 7-11
<b>Repair Parts</b>			
1.	<b>0302248</b>	B-23	CP Wall Flange 2-3/4" O.D.
	<b>0302252</b>	B-23	CP Wall Flange 2-3/4" O.D. w/Set Screw for Wall Box Installation †
2.	—	B-6/B-6-A	In-Wall Sleeve. If required, consult factory.
3.	<b>0302260</b>	B-24	RB Locknut
4.	<b>0301082PO</b>	A-6	RB Coupling
5.	<b>0303002</b>	C-2	Index Push Button
6.	—	B-15-A	N/A. Multiple lengths available. Consult factory.
7.	*	B-8-A	Plunger
8.	*	C-7	Spring
9.	*	B-41	Bushing
10.	—	B-85	Permex® Seal
11.	<b>5301139</b>	A-31	Gasket

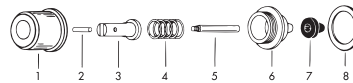
\*Available in kit only. †Wall Box Assembly for C-43-AWB/C-9-AWB/B-12-AWB



### 3" Push Button For Concealed Royal® & Crown®

No.	Code No.	Part No.	Description
<b>Item</b>			
<b>Repair Kits</b>			
	—	C-43-A	3" Push Button Assembly. Items 1-13. Consult factory.
	<b>3303398</b>	C-70-A	Push Button Repair Kit contains item nos. 9-13*
	<b>3303399</b>	C-77-A	Push Button Repair Kit contains item nos. 9-13 – Triple Seal Cone Seal*
	<b>3303347</b>	C-1000-A	Replacement Kit contains item nos. 1,6 & 7
<b>Repair Parts</b>			
1.	*	C-42	3" Push Button CP
2.	<b>0302248</b>	B-23	CP Wall Flange 2-3/4" O.D.
	<b>0302252</b>	B-23	CP Wall Flange 2-3/4" O.D. w/Set Screw for Wall Box Installation †
3.	—	B-6/B-6-A	In-Wall Sleeve. If required, consult factory.
4.	<b>0302260</b>	B-24	RB Locknut
5.	<b>0301083</b>	A-6	RB Coupling
6.	*	C-41	Shank Head
7.	*	C-43	RB Screw
8.	—	B-15-A	N/A. Multiple lengths available. Consult factory.
9.	*	B-8-A	Plunger
10.	<b>0303019</b>	C-7	Spring
11.	*	B-41	Bushing
12.	<b>5302297</b>	B-39	Seal
13.	<b>5301139</b>	A-31	Gasket

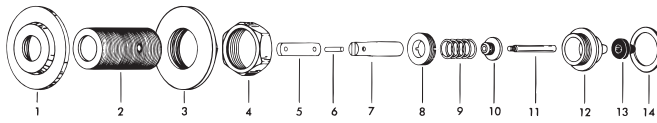
\*Available in kit only.



No.	Code No.	Part No.	Description
<b>Item</b>			
<b>Repair Kit</b>			
	<b>3303393</b>	C-61-A	Repair Kit contains item nos. 4-9
<b>Repair Parts</b>			
1.	<b>0303174</b>	C-25	Socket
2.	<b>5303213</b>	C-29	RB Pin
3.	<b>0303155</b>	C-23	CP Plunger Sleeve
4.	*	C-28	Spring
5.	*	C-24	Plunger Stem
6.	*	C-61	Bushing
7.	<b>5302297</b>	B-39	Seal
8.	<b>5301139</b>	A-31	Gasket

\*Available in kit only.

## Push, Pull, Pedal Push and Pedal Handle Push Button



### Pull Button For Concealed Royal® & Crown® (Seat Action)

**Item**

No.	Code No.	Part No.	Description
-----	----------	----------	-------------

**Repair Kit**

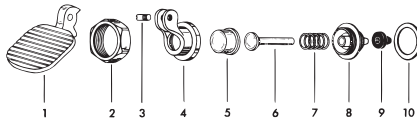
	<b>3303394</b>	C-62-A	Repair Kit contains item nos. 9-14
--	----------------	--------	------------------------------------

**Repair Parts**

1.	<b>0302248</b>	B-23	CP Wall Flange 2-3/4" O.D.
2.	—	C-30	In-Wall Sleeve. If required, consult factory.
3.	<b>0302260</b>	B-24	RB Locknut
4.	<b>0301083</b>	A-6	RB Coupling
5.	—	C-27	Link Available in Multiple Lengths. Consult factory.
6.	<b>5303213</b>	C-29	RB Pin
7.	—	C-31	Sleeve Available in Multiple Lengths. Consult factory.
8.	<b>0203013</b>	C-48	RB Sleeve Guide
9.	*	C-28	Spring
10.	*	C-32	Plunger Head
11.	*	C-24	Plunger Stem
12.	*	C-61	Special Bushing
13.	<b>5302297</b>	B-39	Seal
14.	<b>5301139</b>	A-31	Gasket

\*Available in kit only.

### Pedal Push Button For Exposed Royal® & Crown®



**Item No.  
Code No.  
Part No.**

**Description**

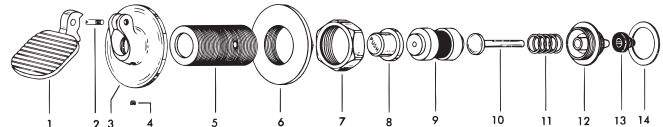
**Repair Kit**

	<b>3302304</b>	B-40-A	Repair Kit contains item nos. 4-10
--	----------------	--------	------------------------------------

**Repair Parts**

1-10.	<b>0303289</b>	C-33-A	Pedal RB Assembly
1.	<b>0303293</b>	C-34	CP Pedal
2.	<b>0301082</b>	A-6	Coupling
3.	<b>5303298</b>	C-35	CP Screw
4.	*	C-33	CP Socket
5.	*	C-37	CP Push Button
6.	*	B-8-A	Plunger (Special)
7.	<b>0303019</b>	C-7	Spring
8.	*	B-49	Bushing
9.	<b>5302297</b>	B-39	Seal
10.	<b>5301140</b>	A-31-P	Gasket

\*Available in kit only.



### Pedal Push Button For Concealed Royal® & Crown®

**Item**

No.	Code No.	Part No.	Description
-----	----------	----------	-------------

**Repair Kit**

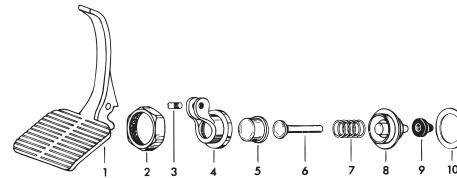
	—	C-40-A	Complete Pedal Push Button Assembly item nos. 1-14 LDIM required
	<b>3303398</b>	C-70-A	Push Button Repair Kit contains item nos. 10-14
	<b>3303399</b>	C-77-A	Push Button Repair Kit contains item nos. 10-14 – Triple Seal Cone Seal

**Repair Parts**

1.	<b>0303293</b>	C-34	CP Pedal
2.	<b>5303298</b>	C-35	CP Screw
3-4.	<b>0303303</b>	C-40	CP Flange w/Set Screw
5.	—	B-6	In-Wall Sleeve. If required, consult factory.
6.	<b>0302260</b>	B-24	RB Locknut
7.	<b>0301082PO</b>	A-6	RB Coupling
8.	<b>0303002</b>	C-2	Index Push Button
9.	—	B-15-A	N/A. Multiple lengths available. Consult factory.
10.	*	B-8-A	Plunger
11.	<b>0303019</b>	C-7	Spring
12.	*	B-41	Bushing
13.	<b>5302297</b>	B-39	Seal
14.	<b>5301139</b>	A-31	Gasket

\*Available in kit only.

### Pedal Handle Push Button For Exposed Royal® & Crown®



**Item**

No.	Code No.	Part No.	Description
-----	----------	----------	-------------

**Repair Kit**

	<b>3302304</b>	B-40-A	Repair Kit contains item nos. 4-10
--	----------------	--------	------------------------------------

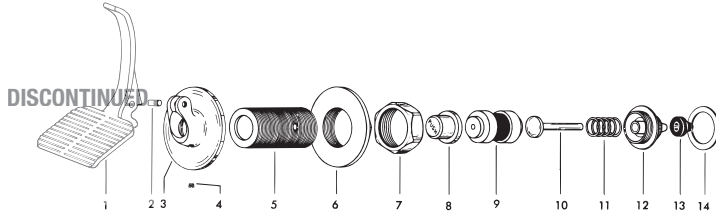
**Repair Parts**

1-10.	<b>0303290</b>	C-33-A	Pedal Handle PB Assembly – <b>DISCONTINUED</b>
1.	<b>0303295</b>	C-34	CP Pedal Handle – <b>DISCONTINUED</b>
2.	<b>0301082</b>	A-6	Coupling
3.	<b>5303298</b>	C-35	CP Screw
4.	*	C-33	CP Socket
5.	*	C-37	CP Push Button
6.	*	B-8-A	Plunger (Special)
7.	<b>0303019</b>	C-7	Spring
8.	*	B-49	Bushing
9.	<b>5302297</b>	B-39	Seal
10.	<b>5301140</b>	A-31-P	Gasket

\*Available in kit only.



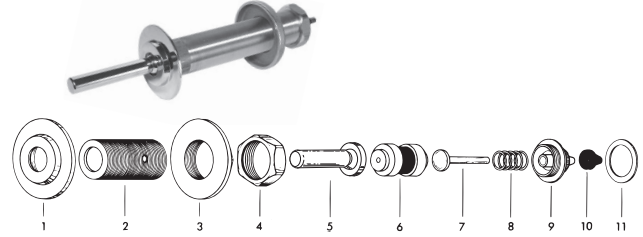
## Push, Pull, Pedal Push and Pedal Handle Push Button



**Pedal Handle Push Button For Concealed Royal® & Crown®**

Item No.	Code No.	Part No.	Description
<b>Repair Kit</b>			
—	C-40-A	Complete Pedal Handle Push Button Assembly. Items 1-14. Consult factory – <b>DISCONTINUED</b>	
<b>Repair Parts</b>			
1.	<b>0303295</b>	C-34	CP Pedal Handle – <b>DISCONTINUED</b>
2.	<b>5303298</b>	C-35	CP Screw
3-4.	<b>0303303</b>	C-40	CP Flange w/Set Screw
5.	—	B-6/B-6-A	In-Wall Sleeve. If required, consult factory.
6.	<b>0302260</b>	B-24	RB Locknut
7.	<b>0301082PO</b>	A-6	RB Coupling
8.	<b>0303002</b>	C-2	Index Push Button
9.	—	B-15	N/A. Multiple lengths available. Consult factory.
10.	*	B-8-A	Plunger
11.	<b>0303019</b>	C-7	Spring
12.	*	B-41	Bushing
13.	<b>5302297</b>	B-39	Seal
14.	<b>5301139</b>	A-31	Gasket

\*Available in kit only.



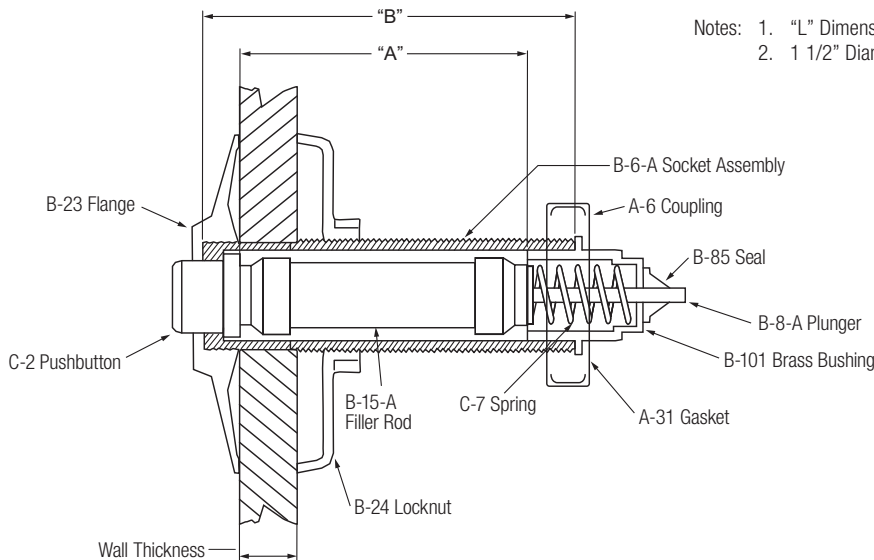
**Handle For Concealed Royal® & Crown®**

Item No.	Code No.	Part No.	Description
<b>Repair Kit</b>			
<b>3303398</b>	C-70-A	CP ADA-Compliant Triple Seal Handle Assembly	
<b>Repair Parts</b>			
1	<b>0302248</b>	B-23	CP Wall Flange 2-3/4" O.D.
	<b>0302252</b>	B-23	CP Wall Flange 2-3/4" O.D. w/Set Screw for Wall Box Installation †
2.	—	B-6/B-6-A	In-Wall Sleeve. If required, consult factory.
3.	<b>0302260</b>	B-24	RB Locknut
4.	<b>0301082PO</b>	A-6	RB Coupling
5.	<b>0302389</b>	B-74-A	CP ADA-Compliant Handle
6.	—	B-15-A	N/A. Multiple lengths available. Consult factory.
7.	*	B-8-A	Plunger
8.	*	C-7	Spring
9.	*	B-41	Bushing
10.	<b>5302297</b>	B-39	Seal
11.	<b>5301139</b>	A-31	Gasket

\*Available in kit only. †Wall Box Assembly for C-43-AWB/C-9-AWB/B-12-AWB

**"L" Dimension PUSH BUTTON ID CHART** (All dimensions in inches)

Wall Thickness	1	2	3	4	5	6	7	8	9	10	11	12	13	14	15
"L" Dimension	3 3/4	4 3/4	5 3/4	6 3/4	7 3/4	8 3/4	9 3/4	10 3/4	11 3/4	12 3/4	13 3/4	14 3/4	15 3/4	16 3/4	17 3/4
"A" (B-15-A) Filler Rod	1 5/8	2 5/8	3 5/8	4 5/8	5 5/8	6 5/8	7 5/8	8 5/8	9 5/8	10 5/8	11 5/8	12 5/8	13 5/8	14 5/8	15 5/8
"B" (B-6-A) Socket Assembly	2 1/2	3 1/2	4 1/2	5 1/2	6 1/2	7 1/2	8 1/2	9 1/2	10 1/2	11 1/2	12 1/2	13 1/2	14 1/2	15 1/2	16 1/2



- Notes: 1. "L" Dimension = Wall thickness (to nearest whole inch) + 2 3/4"  
 2. 1 1/2" Diameter Hole Opening Required Through Wall



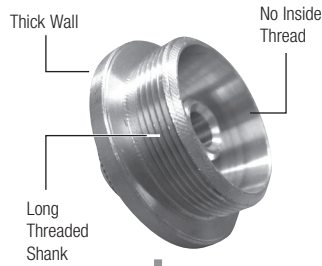
## Push, Pull, Pedal Push and Pedal Handle Push Button

### REPAIR KIT AND BUSHING ID CHART

**B-101 RB Bushing**

Used in C-70-A repair kit & C-77-A repair kit. For concealed valve Actuators: B-12-A, C-9-A, C-43-A, B-17-A

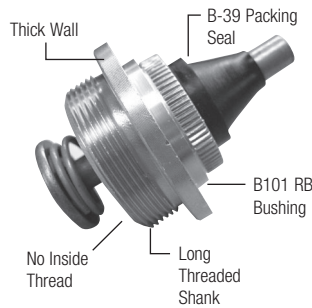
Note: Can NOT be used on Institutional/Prison Lav valves where an inside thread is required.



**C-70-A Repair Kit**

The C-70-A repair kit is for concealed valves using the B-12-A, C-9-A, C-43-A, C-40-A or B-17-A actuator assembly.

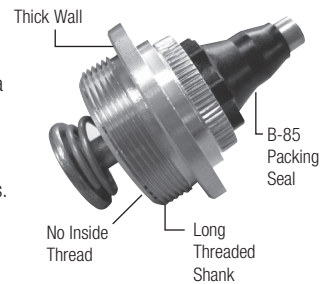
Note: Can NOT be used on Institutional/Prison Lav valves where an inside thread is required.



**C-77-A Repair Kit (Royal)**

The C-77-A repair Kit is the same as the C-70-A repair kit only it uses the B-85 Packing Seal (upgrade), not the B-39. It is a repair kit for concealed valves using B-12-A, C-9-A, C-43-A or B-17-A actuator assembly. It is also in the Concealed Royal Performance repair kit, A-1201-08-A series.

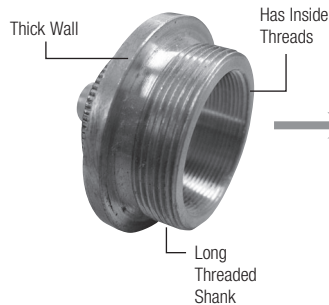
Note: Can NOT be used on Institutional/Prison Lav valves where an inside thread is required.



**B-41 RB Bushing**

Used on the C-69-A Assembly for Institutional/Prison Lav valves. Used in the C-63-A repair kit.

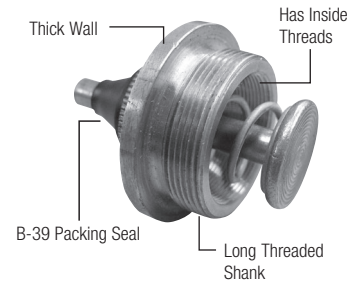
Note: MAIN USE IS THE INSIDE THREAD.



**C-63-A Repair Kit**

Used on the C-69-A Assembly for Institutional/Prison Lav valves. Used in the C-63-A repair kit.

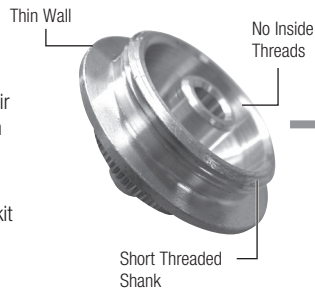
Note: MAIN USE IS THE INSIDE THREAD.



**B-49 RB Bushing**

Used only on exposed valves using C-42-A (3" push button) or C-33-A (pedal) actuators. Used in C-64-A repair kit for 3" push button only. C-64-A can NOT be used to repair C-33-A pedal valves, use B-40-A.

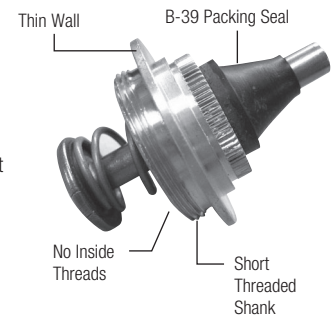
Note: CAN be used in a handle repair kit for heavy duty use.



**C-64-A Repair Kit**

Used only on exposed valves using C-42-A (3" push button). Can NOT be used to repair C-33-A pedal valves, use B-40-A.

Note: CAN be used as a handle repair kit for heavy duty use, exposed valves.



**B-40-A Exposed Pedal Valve**

Actuator repair kit.



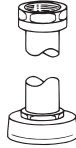
## Flush Connections and Flanges

### Complete Flush Connection Assemblies Chrome Plate Finish for Exposed Installations

**Code No. Part No. Description**

**For Models 110/111**

<b>0393007</b>	V-600-AA	CP Vacuum Breaker 1-1/2" x 9"
<b>0306146</b>	F-5-AT	CP Spud Coupling 1-1/2" x 3"



**For Model 113**

<b>0393008</b>	V-600-AA	CP Vacuum Breaker 1-1/2" x 13-1/2"
<b>0306146</b>	F-5-AT	CP Spud Coupling 1-1/2" x 3"

**For Model 114**

<b>0393011</b>	V-600-AA	CP Vacuum Breaker 1-1/2" x 32-1/2"
<b>0306146</b>	F-5-AT	CP Spud Coupling 1-1/2" x 3"

**For Model 115**

<b>0393009</b>	V-600-AA	CP Vacuum Breaker 1-1/2" x 21-1/2"
<b>0306146</b>	F-5-AT	CP Spud Coupling 1-1/2" x 3"

**For Model 116**

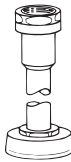
<b>0393010</b>	V-600-AA	CP Vacuum Breaker 1-1/2" x 24-1/2"
<b>0306146</b>	F-5-AT	CP Spud Coupling 1-1/2" x 3"

**For Model 117**

<b>0393009</b>	V-600-AA	CP Vacuum Breaker 1-1/2" x 21-1/2"
<b>0306146</b>	F-5-AT	CP Spud Coupling 1-1/2" x 3"

**For Model 180**

<b>0393006</b>	V-600-AA	CP Vacuum Breaker 1-1/4" x 9"
<b>0306140</b>	F-5-AU	CP Spud Coupling 1-1/4" x 3"

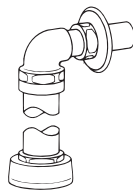


**For Model 186**

<b>0393004</b>	V-600-AA	CP Vacuum Breaker 3/4" x 9"
<b>0306125</b>	F-5-AW	CP Spud Coupling 3/4" x 2-1/2"

**For Model 300/310**

<b>0306060</b>	F-2-AU	CP Coupling 1-1/4"
<b>0306146</b>	F-5-AT	CP Spud Coupling 1-1/2" x 3"
<b>0306196</b>	F-7	CP Flange w//Prongs 1" x 2-3/4"
<b>0306209</b>	F-7	CP Flange Flat 1-1/4" x 3-1/8"
<b>0306555</b>	F-21-AA	Elbow 1-1/2" x 1-1/4" x 4"
<b>0393007</b>	V-600-AA	CP Vacuum Breaker 1-1/2" x 9"
<b>0396009</b>	F-43-A	CP Outlet & Street El 1"
<b>0396093</b>	F-101	CP Outlet



**For Model 320**

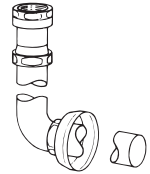
<b>0301149</b>	A-35	Reducer Bushing 1" NPT x 3/4 NPT
<b>0306052</b>	F-2-AW	CP Coupling Assembly 3/4"
<b>0306125</b>	F-5-AW	CP Spud Coupling 3/4" x 2-1/2"
<b>0306188</b>	F-7	CP Flange Flat 3/4" x 2-23/32"
<b>0306343</b>	F-15-A	CP Elbow Tail Assembly 3/4" x 4"
<b>0393004</b>	V-600-AA	Vacuum Breaker 3/4" x 9"
<b>0396009</b>	F-43-A	CP Outlet & Street El 1"
<b>0396093</b>	F-101	CP Outlet 1-1/2" x 4-1/2"

### Complete Flush Connection Assemblies Chrome Plate Finish for Exposed Installations (continued)

**Code No. Part No. Description**

**For Model 120**

<b>0306093</b>	F-2-AT	CP Coupling 1-1/2"
<b>0393003</b>	V-600-A	CP Vacuum Breaker
<b>0396293</b>	F-109	CP Tube 1-1/2" x 8" x 5" Bend
<b>0306146</b>	F-5-AT	CP Spud Coupling 1-1/2" x 3"



**For Model 121**

<b>0306093</b>	F-2-AT	CP Coupling 1-1/2"
<b>0393003</b>	V-600-A	CP Vacuum Breaker
<b>0396316</b>	F-109	CP Tube 1-1/2" x 13" x 5" Bend
<b>0306146</b>	F-5-AT	CP Spud Coupling 1-1/2" x 3"

**For Model 122**

<b>0306093</b>	F-2-AT	CP Coupling 1-1/2"
<b>0393003</b>	V-600-A	CP Vacuum Breaker
<b>0396322</b>	F-109	CP Tube 1-1/2" x 21" x 5" Bend
<b>0306146</b>	F-5-AT	CP Spud Coupling 1-1/2" x 3"

**For Model 136**

<b>0393038</b>	V-600-AA	CP Vacuum Breaker 1-1/2" x 36"
<b>0306146</b>	F-5-AT	CP Spud Coupling 1-1/2" x 3"

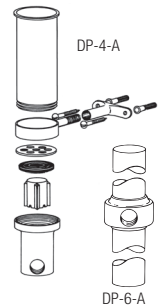
**For Model 137**

<b>0306093</b>	F-2-AT	CP Coupling 1-1/2"
<b>0393003</b>	V-600-A	CP Vacuum Breaker
<b>0396339</b>	F-109	CP Tube 1-1/2" x 36" x 5"
<b>0306146</b>	F-5-AT	CP Spud Coupling 1-1/2" x 3"

### Drip Pocket Flush Connection Assemblies and Parts

**DP-4-A Includes:**

<b>0330015</b>	DP-4-A	Drip Pocket
<b>0330026</b>	DP-1002-A	Float & Seat Repair Kit For DP-4-A
<b>0330002</b>	DP-2-A	Drip Pocket Wall Support (Available upon request)



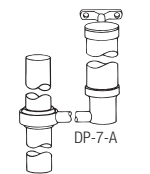
**DP-6-A Includes:**

<b>0330021</b>	DP-6-A	1-1/2" x 18-1/2" CP Outlet
----------------	--------	----------------------------

**DP-7-A Includes:**

<b>0330002</b>	DP-2-A	D.P. Wall Support
<b>0330015</b>	DP-4-A	Drip Pocket Assembly
<b>0330021</b>	DP-6-A	Drip Pocket Flush Connection
<b>0330004</b>	F-33	Extension Nipple

Use on the following flush valve: 118



**Special F-33 Includes:**

<b>0330004</b>	F-33	Extension for DP-4-A
----------------	------	----------------------



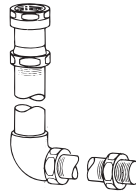
## Flush Connections and Flanges

### Complete Flush Connection Assemblies Rough Brass Finish for Concealed Installations

Code No.	Part No.	Description
<b>For Model 150</b>		
0323011	V-500-A	RB Vacuum Breaker
0306087	F-2-A	RB 1-1/2" Coupling w/S30
0306569	F-22	RB Outlet 1" NPT Female

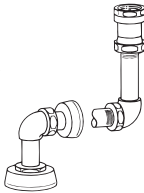
#### For Model 152

0323177	V-500-AA	RB Vacuum Breaker 1-1/2" x 22" w/ 3" Score
0206146	F-21	RB 1-1/2" El Double Male Slip
0306091	F-2-A	RB 1-1/2" Coupling w/S21
0306619	F-2-AA	RB Two Sets F-2-A 1-1/2" Coupling
—	F-100	RB Outlet - Specify Size



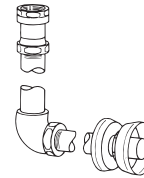
#### For Model 153/155

0206146	F-21	RB 1-1/2" El Double Male Slip
0306146	F-5-AT	CP Spud Coupling 1-1/2" x 3"
0306237	F-7	CP Flange w/Prongs 1-1/2" x 2-3/4"
0306400	F-15-A	CP Elbow 1-1/2" x 4"
0306619	F-2-AA	RB Two Sets F-2-A 1-1/2" SJ Coupling
0323176	V-500-AA	1-1/2" x 17-1/2" w/ 3" Score
—	F-102	CP Outlet - Specify Size



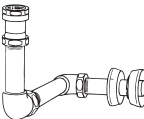
#### For Model 154

0206146	F-21	RB 1-1/2" El Double Male Slip
0306091	F-2-A	RB 1-1/2" Coupling w/S21
0306146	F-5-AT	CP Spud Coupling 1-1/2" x 3"
0306237	F-7	CP Flange 1-1/2" x 2-3/4" w/Prongs
0306619	F-2-AA	RB Two Sets F-2-A 1-1/2" SJ Coupling
0323177	V-500-AA	RB Vacuum Breaker 1-1/2" x 22" w/ 3" Score
—	F-102	CP Outlet - Specify Size



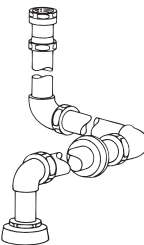
#### For Model 140

0206146	F-21	RB 1-1/2" El Double Male Slip
0306146	F-5-AT	CP Spud Coupling 1-1/2" x 3"
0306237	F-7	CP Flange w/Prongs 1-1/2" x 2-3/4"
0306619	F-2-AA	RB Two Sets F-2-A 1-1/2" SJ Coupling
0306688	F-25-A	RB Elbow/Tail 1-1/2" x 10" C/E w/ 3" Score
0323188	V-500-AA	RB Vacuum Breaker 1-1/2" x 11-1/2" w/ 3" Score
—	F-102	CP Outlet - Specify Size



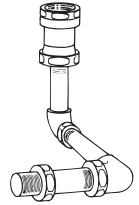
#### For Model 142

0206146	F-21	RB 1-1/2" El Double Male Slip
0306146	F-5-AT	CP Spud Coupling 1-1/2" x 3"
0306237	F-7	CP Flange w/Prongs 1-1/2" x 2-3/4"
0306400	F-15-A	CP Elbow 1-1/2" x 4"
0306619	F-2-AA	RB Two Sets F-2-A 1-1/2" SJ Coupling
0306688	F-25-A	RB Elbow/Tail 1-1/2" x 10 C/E w/ 3" Score
0323207	V-500-AA	RB Vacuum Breaker 1-1/2" x 6" w/ 3" Score
—	F-102	CP Outlet - Specify Size



### Complete Flush Connection Assemblies Rough Brass Finish for Concealed Installations (continued)

Code No.	Part No.	Description
<b>For Model 143</b>		
0206146	F-21	RB 1-1/2" El Double Male Slip
0306091	F-2-A	RB 1-1/2" Coupling w/S21
0306619	F-2-AA	RB Two Sets F-2-A 1-1/2" SJ Coupling
0306688	F-25-A	RB Elbow/Tail 1-1/2" x 10" C/E w/ 3" Score
0323188	V-500-AA	RB Vacuum Breaker 1-1/2" x 11-1/2" w/ 3" Score
—	F-100	RB Outlet - Specify Size

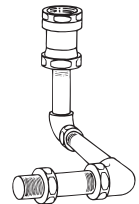


#### For Model 144

0206146	F-21	RB 1-1/2" El Double Male Slip
0306091	F-2-A	RB 1-1/2" Coupling w/S21
0306619	F-2-AA	RB Two Sets F-2-A 1-1/2" SJ Coupling
0306688	F-25-A	RB Elbow/Tail 1-1/2" x 10" C/E w/ 3" Score
0323208	V-500-AA	RB Vacuum Breaker 1-1/2" x 7-1/2" w/ 3" Score
—	F-100	RB Outlet - Specify Size

#### For Model 192

0206146	F-21	RB 1-1/2" El Double Male Slip
0306140	F-5-AU	CP Spud Coupling
0306237	F-7	CP Flange w/Prongs 1-1/2" x 2-3/4"
0306472	F-15-A	CP Elbow/Tail 1-1/2" x 1-1/4" x 4"
0306619	F-2-AA	RB Two Sets F-2-A 1-1/2" SJ Coupling
0323188	V-500-AA	RB Vacuum Breaker 1-1/2" x 11-1/2" w/ 3" Score
—	F-102	CP Outlet - Specify Size



#### For Model 195

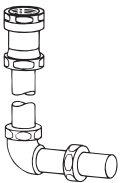
0306054	F-2-AW	RB Coupling 3/4"
—	F-15-A	Specify Size
0323003	V-500-AA	RB Vacuum Breaker 3/4" x 10-1/2"

#### For Model 197

0306125	F-5-AW	CP Spud Coupling 3/4" x 2-1/2"
0306186	F-7	CP Flange 3/4" x 2-3/4"
0306375	F-15-A	CP Elbow/Tail 3/4" x 5"
0306376	F-15-A	CP Elbow/Tail 3/4" x 14"
0323003	V-500-AA	RB Vacuum Breaker 3/4" x 10-1/2"

#### For Model 190

0206146	F-21	RB 1-1/2" El Double Male Slip
0306059	F-2-AU	RB Coupling 1-1/4"
0306088	F-2-AT	RB Coupling 1-1/2"
0306091	F-2-A	RB 1-1/2" Coupling w/S21
0323188	V-500-AA	RB Vacuum Breaker 1-1/2" x 11-1/2" w/3" Score
—	F-110	Specify Size



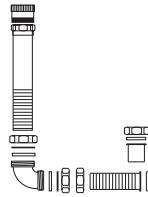
## Flush Connections and Flanges

### Complete Flush Connection Assemblies Rough Brass Finish for Concealed Installations (continued)

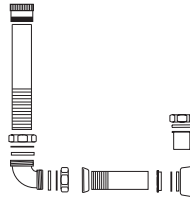
Code No.	Part No.	Description
<b>For Model 312</b>		
0306060	F-2-AU	CP Coupling 1-1/4"
0306087	F-2-A	RB 1-1/2" Coupling w/S30
0306146	F-5-AT	CP Spud Coupling 1-1/2" x 3"
0306209	F-7	CP Flange Flat 1-1/4" x 3-1/8"
0306555	F-21-AA	CP Elbow 1-1/2" x 1-1/4" x 4"
0306569	F-22	RB Outlet 1" NPT Female x 1-1/2"
0393007	V-600-AA	CP Vacuum Breaker 1-1/2" x 9"



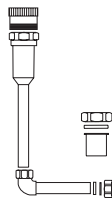
<b>For Model 313</b>		
0206146	F-21	RB 1-1/2" EI Double Male Slip
0306087	F-2-A	RB 1-1/2" Coupling w/S30
0306091	F-2-A	RB 1-1/2" Coupling w/S21
0306569	F-22	RB Outlet 1" NPT Female x 1-1/2"
0306619	F-2-AA	RB Two Sets F-2-A 1-1/2" SJ Coupling
0322026	V-79	RB 1" Adapter
0323188	V-500-AA	RB Vacuum Breaker 1-1/2" x 11-1/2" w/3" Score
—	F-100	RB Outlet



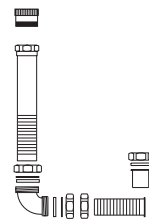
<b>For Model 318</b>		
0206146	F-21	RB 1-1/2" EI Double Male Slip
0306087	F-2-A	RB 1-1/2" Coupling w/S30
0306146	F-5-AT	CP Spud Coupling 1-1/2" x 3"
0306237	F-7	CP Flange w/Prongs 1-1/2" x 2-3/4"
0306569	F-22	RB Outlet 1" NPT Female x 1-1/2"
0306619	F-2-AA	RB Two Sets F-2-A 1-1/2" SJ Coupling
0322026	V-79	RB 1" Adapter
	F-102	CP Outlet - Specify Size
0323188	V-500-AA	RB Vacuum Breaker 1-1/2" x 11-1/2" w/3" Score



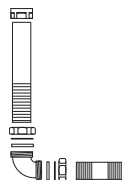
<b>For Model 323</b>		
0206160	F-22	RB 3/4" Outlet Female
0306054	F-2-AW	RB 3/4"
0306087	F-2-A	RB 1-1/2" Coupling w/S30
0306366	F-15-A	RB Elbow Tail Assembly 3/4" x 11"
0322021	V-79	RB 3/4" Adapter Inlet
0323003	V-500-AA	RB Vacuum Breaker 3/4" x 10-1/2"



<b>For Model 343</b>		
0206146	F-21	RB 1-1/2" EI Double Male Slip
0306059	F-2-AU	RB Coupling 1-1/4"
0306087	F-2-A	RB 1-1/2" Coupling w/S30
0306091	F-2-A	RB 1-1/2" Coupling w/S21
0306569	F-22	RB Outlet 1" NPT Female x 1-1/2"
0322026	V-79	RB 1" Adapter
0323188	V-500-AA	RB Vacuum Breaker 1-1/2" x 11-1/2" w/ 3" Score
—	F-110	RB 1-1/2" Flange x 1-1/4" Tube w/Score



<b>For Model 139</b>		
0206146	F-21	RB 1-1/2" EI Double Male Slip
0306619	F-2-AA	RB Two Sets F-2-A 1-1/2" Coupling
0323312	V-500-AA	RB Vacuum Breaker 1-1/2" x 33-1/2" w/3" Score
0396210	F-102	RB Tube 1-1/2" x 10" w/Score

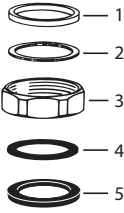




## Flush Connections and Flanges

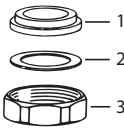
### Couplings and Gaskets

Item No.	Code No.	Part No.	Description
<b>F-2-A</b>			
1-3.	<b>0306052</b>	F-2-A	3/4" CP Coupling Assembly
	<b>0306054</b>	F-2-A	3/4" RB Coupling Assembly
	<b>0306077</b>	F-2-A	1" CP Coupling Assembly
	<b>0306060</b>	F-2-A	1-1/4" CP Coupling Assembly
	<b>0306059</b>	F-2-A	1-1/4" RB Coupling Assembly
	<b>0306093</b>	F-2-A	1-1/2" CP Coupling Assembly
	<b>0306088</b>	F-2-A	1-1/2" RB Coupling Assembly
3-4	<b>0306092</b>	F-2-A	1-1/2" CP Coupling Assembly
	<b>0306087</b>	F-2-A	1-1/2" RB Coupling Assembly
1.	<b>5306113</b>	F-5	3/4" SJ Gasket
	<b>5306115</b>	F-5	1" SJ Gasket
	<b>5322176</b>	VPF-5	1-1/4" SJ Gasket
	<b>5322001</b>	VPF-5	1-1/2" SJ Gasket
2.	<b>5306055</b>	F-3	3/4" Friction Ring
	<b>5306056</b>	F-3	1" Friction Ring
	<b>5306057</b>	F-3	1-1/4" Friction Ring
	<b>5306058</b>	F-3	1-1/2" Friction Ring
3.	*	F-2	3/4" CP Coupling
	*	F-2	3/4" RB Coupling
	*	F-2	1" CP Coupling
	*	F-2	1-1/4" CP Coupling
	*	F-2	1-1/4" RB Coupling
	<b>0306045PK</b>	F-2	1-1/2" CP Coupling
	*	F-2	1-1/2" RB Coupling
4.	<b>5319086</b>	S-30	1-1/2" Gasket
5.	<b>0319079</b>	S-21	1-1/2" Rigid Seat
3-5.	<b>0306091</b>	F-2-A	1-1/2" with S-21 Seat



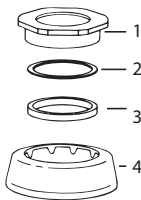
### NF-2-A

1.	<b>0396264</b>	F-105	1-1/2" x 1-1/4" SJ Gasket
1-3.	<b>0314011</b>	NF-2-A	1-1/2" x 1-1/4" SJ Reducing Coupling Assembly



### Spud Coupling Assemblies

Item No.	Code No.	Part No.	Description
<b>F-5-A</b>			
1-4.	<b>0306125</b>	F-5-A	3/4" CP Spud Coupling Assembly
	<b>0306132</b>	F-5-A	1" CP Spud Coupling Assembly
	<b>0306140</b>	F-5-A	1-1/4" CP Spud Coupling Assembly
	<b>0306146</b>	F-5-A	1-1/2" CP Spud Coupling Assembly
1-3.	<b>0306516</b>	F-20-AW	3/4" Spud Coupling
	<b>0306524</b>	F-20-AU	1-1/4" Spud Coupling
	<b>0306526</b>	F-20-AT	1-1/2" Spud Coupling
2.	<b>5306055</b>	F-3	3/4" Friction Ring
	<b>5306056</b>	F-3	1" Friction Ring
	<b>5306057</b>	F-3	1-1/4" Friction Ring
	<b>5306058</b>	F-3	1-1/2" Friction Ring
3.	<b>5306113</b>	F-5	3/4" SJ Gasket
	<b>5306115</b>	F-5	1" SJ Gasket
	<b>5322176</b>	VPF-5	1-1/4" Gasket
	<b>5322001</b>	VPF-5	1-1/2" Gasket
4.	<b>0306189</b>	F-7	3/4" Spud Flange
	<b>0306197</b>	F-7	1" Spud Flange
	<b>0306214</b>	F-7	1-1/4" Spud Flange
	<b>0306238</b>	F-7	1-1/2" Spud Flange



### Wall Flange For Tubing

Code No.	Part No.	Description
<b>F-7 (2-3/4" O.D. X 5/8" Deep)</b>		
<b>0306204</b>	F-7	1-1/4" Tube Flange
<b>0306237</b>	F-7	1-1/2" Tube Flange



### Supply Flange For Iron Pipe

Code No.	Part No.	Description
<b>F-7 (2-3/4" O.D.)</b>		
<b>0306191</b>	F-7	3/4" IPS CP Supply Flange
<b>0306196</b>	F-7	1" IPS CP Supply Flange
<b>0306205</b>	F-7	1-1/4" IPS CP Supply Flange



### F-7 (2-3/4" O.D. Flat)

<b>0306167</b>	F-7	1/2" IPS CP Supply Flange
<b>0306188</b>	F-7	3/4" IPS CP Supply Flange
<b>0306201</b>	F-7	1" IPS CP Supply Flange
<b>0306209</b>	F-7	1-1/4" IPS CP Supply Flange



### F-45-A

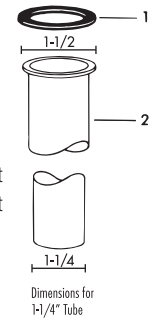
<b>0396019</b>	F-45-A	3/4" Heavy Supply Flange with Set Screw for IPS
<b>0396020</b>	F-45-A	1" Heavy Supply Flange with Set Screw for IPS



For additional flanges, see 4.9.1

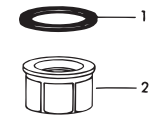
### Outlets

Item No.	Code No.	Part No.	Description
<b>F-1 (Flanged)</b>			
1.	<b>5319086</b>	S-30	Gasket
2.	<b>0306007</b>	F-1	1-1/2" x 1-1/4" x 6" CP Flanged Outlet
	<b>0306009</b>	F-1	1-1/2" x 1-1/4" x 8" CP Flanged Outlet
	<b>0306012</b>	F-1	1-1/2" x 1-1/4" x 10" CP Flanged Outlet
	<b>0306013</b>	F-1	1-1/2" x 1-1/4" x 12" CP Flanged Outlet
	<b>0306031</b>	F-1	1-1/2" x 6" CP Flanged Outlet
	<b>0306034</b>	F-1	1-1/2" x 8" CP Flanged Outlet
	<b>0306039</b>	F-1	1-1/2" x 10" CP Flanged Outlet
	<b>0306044</b>	F-1	1-1/2" x 12" CP Flanged Outlet



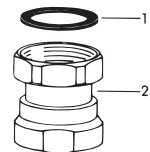
### F-22

1.	<b>5319086</b>	S-30	Gasket
2.	<b>0206159</b>	F-22	1/2" IPS RB Female Outlet
	<b>0206160</b>	F-22	3/4" IPS RB Female Outlet
	<b>0306569</b>	F-22	1" IPS RB Female Outlet



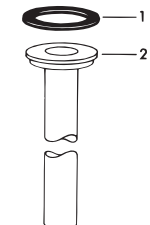
### F-22-A

1-2.	<b>0306574</b>	F-22-A1-1/4"	IPS RB Union Outlet Assembly
	<b>0306575</b>	F-22-A1-1/4"	IPS CP Union Outlet Assembly
1.	<b>5319086</b>	S-30	Gasket



### F-29-A

1.	<b>5319086</b>	S-30	Gasket
2.	<b>0306767</b>	F-29-A3/4" x 6"	CP Outlet
	<b>0306769</b>	F-29-A3/4" x 7-1/2"	RB Outlet
	<b>0306773</b>	F-29-A3/4" x 8-1/2"	CP Outlet
	<b>0306791</b>	F-29-A3/4" x 10-1/2"	RB Outlet



Note: 3-1/2" spud flange available in old style only.

The information contained in this document is subject to change without notice.



## Flush Connections and Flanges

### Outlets (continued)

Code No.	Part No.	Description
<b>F-101</b>		
0396060	F-101	3/4" x 4-1/2" CP Outlet
0396100	F-101	1-1/2" x 6" CP Outlet
0396113	F-101	1-1/2" x 9" CP Outlet
0396119	F-101	1-1/2" x 10-1/2" CP Outlet
0396127	F-101	1-1/2" x 13-1/2" CP Outlet
0396134	F-101	1-1/2" x 18-1/2" CP Outlet
0396142	F-101	1-1/2" x 21-1/2" CP Outlet
0396147	F-101	1-1/2" x 24-1/2" CP Outlet



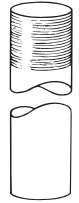
### F-102 (Scored - Both Ends)

0396175	F-102	1-1/4" x 5" RB Outlet, 3-3/4" "L" Dimension
0396176	F-102	1-1/4" x 6" RB Outlet, 4-3/4" "L" Dimension
0396177	F-102	1-1/4" x 7" RB Outlet, 5-3/4" "L" Dimension
0396178	F-102	1-1/4" x 8" RB Outlet, 6-3/4" "L" Dimension
0396179	F-102	1-1/4" x 9" RB Outlet, 7-3/4" "L" Dimension
0396180	F-102	1-1/4" x 10" RB Outlet, 8-3/4" "L" Dimension
0396181	F-102	1-1/4" x 11" RB Outlet, 9-3/4" "L" Dimension
0396182	F-102	1-1/4" x 12" RB Outlet, 10-3/4" "L" Dimension
0396183	F-102	1-1/4" x 13" RB Outlet, 11-3/4" "L" Dimension
0396184	F-102	1-1/4" x 14" RB Outlet, 12-3/4" "L" Dimension
0396185	F-102	1-1/4" x 15" RB Outlet, 13-3/4" "L" Dimension
0396186	F-102	1-1/4" x 16" RB Outlet, 14-3/4" "L" Dimension
0396678	F-102	1-1/2" x 5" RB Outlet, 3-3/4" "L" Dimension
0396674	F-102	1-1/2" x 6" RB Outlet, 4-3/4" "L" Dimension
0396194	F-102	1-1/2" x 7" RB Outlet, 5-3/4" "L" Dimension
0396201	F-102	1-1/2" x 8" RB Outlet, 6-3/4" "L" Dimension
0396206	F-102	1-1/2" x 9" RB Outlet, 7-3/4" "L" Dimension
0396210	F-102	1-1/2" x 10" RB Outlet, 8-3/4" "L" Dimension
0396214	F-102	1-1/2" x 11" RB Outlet, 9-3/4" "L" Dimension
0396217	F-102	1-1/2" x 12" RB Outlet, 10-3/4" "L" Dimension
0396220	F-102	1-1/2" x 13" RB Outlet, 11-3/4" "L" Dimension
0396221	F-102	1-1/2" x 14" RB Outlet, 12-3/4" "L" Dimension
0396224	F-102	1-1/2" x 15" RB Outlet, 13-3/4" "L" Dimension
0396715	F-102	1-1/2" x 16" RB Outlet, 14-3/4" "L" Dimension



### Outlets (continued)

Code No.	Part No.	Description
<b>Special F-102 (Scored - One End)</b>		
0396163	F-102	1-1/4" x 8" CP Outlet, 3-3/4" "L" Dimension
0396164	F-102	1-1/4" x 9" CP Outlet, 4-3/4" "L" Dimension
0396171	F-102	1-1/4" x 15" CP Outlet, 10-3/4" "L" Dimension
0396669	F-102	1-1/2" x 8" CP Outlet, 3-3/4" "L" Dimension
0396670	F-102	1-1/2" x 9" CP Outlet, 4-3/4" "L" Dimension
0396671	F-102	1-1/2" x 10" CP Outlet, 5-3/4" "L" Dimension
0396679	F-102	1-1/2" x 11" CP Outlet, 6-3/4" "L" Dimension
0396672	F-102	1-1/2" x 12" CP Outlet, 7-3/4" "L" Dimension
0396673	F-102	1-1/2" x 13" CP Outlet, 8-3/4" "L" Dimension
0396713	F-102	1-1/2" x 14" CP Outlet, 9-3/4" "L" Dimension
0396714	F-102	1-1/2" x 15" CP Outlet, 10-3/4" "L" Dimension
0396716	F-102	1-1/2" x 16" CP Outlet, 11-3/4" "L" Dimension



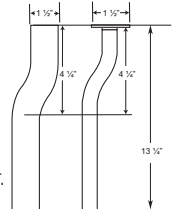
### F-201

0396455	F-201	1-1/2" x 1-1/4" x 9" CP Outlet
0396456PK	F-201	1-1/2" x 1-1/4" x 11" CP Outlet
0396461	F-201	1-1/2" x 1-1/4" x 11" CP Outlet
0396464	F-201	1-1/2" x 1-1/4" x 21-1/2" CP Outlet
0396468PK	F-201	1-1/2" x 1-1/4" x 10" CP Outlet



### Offset Outlet Tubes

0396202	F-66-A	3/4" x 1" Offset x 13-1/4"
0396203	F-67-A	3/4" x 1-1/2" Offset x 13-1/4"
0396204	F-68-A	3/4" x 2" Offset x 13-1/4"
0396530	F-188	1-1/2" x 1" Offset x 13-1/4"
0396532PK	F-189	1-1/2" x 1-1/2" Offset x 13-1/4"
0396534	F-190	1-1/2" x 2" Offset x 13-1/4"



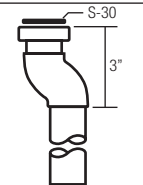
Designed for use with V-600-A or V-500-A "short" Vacuum Breaker. Each tube is 13-1/4" in length.

For 3/4" tubes, and "short" Vacuum Breaker, use F-2-A Coupling S-30 Gasket (Code No. **0306092**).

For 1-1/2" tubes, and "short" Vacuum Breaker, use F-2-A Coupling with Slip Gasket (Code No. **0306093**)

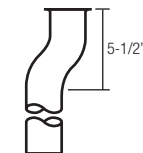
### F-31-AA (For High Clearance Offset and Rigid Application)

0306919	F-31-AA	1-1/2" x 8-1/4" CP Flanged and Coupling Outlet ASM W/1" Offset
0306921	F-31-AA	1-1/2" x 8-1/4" CP Flanged and Coupling Outlet ASM W/2" Offset
0306922	F-31-AA	1-1/2" x 9-3/4" CP Flanged and Coupling Outlet ASM W/2" Offset



### F-182 Flanged Outlet Tube w/Offset

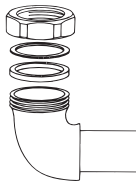
0396525	F-182	1-1/2" x 8" x 1-1/2" Offset
---------	-------	-----------------------------



## Flush Connections and Flanges

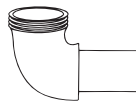
### Elbows

Code No.	Part No.	Description
<b>F-15-A</b>		
0306341	F-15-A	3/4" CP SJ Wll with Tail 4-5/8" C to E
0306472	F-15-A	1-1/4" CP SJ Wll with Tail 4-5/8" C to E
0306340	F-15-A	3/4" RB SJ Ell & Tail F/ 3-3/4" L Dimension
0306344	F-15-A	3/4" RB SJ Ell & Tail F/ 5-3/4" L Dimension
0306350	F-15-A	3/4" RB SJ Ell & Tail F/ 6-3/4" L Dimension
0306355	F-15-A	3/4" RB SJ Ell & Tail F/ 7-3/4" L Dimension
0306358	F-15-A	3/4" RB SJ Ell & Tail F/ 8-3/4" L Dimension
0306362	F-15-A	3/4" RB SJ Ell & Tail F/ 9-3/4" L Dimension
0306366	F-15-A	3/4" RB SJ Ell & Tail F/ 10-3/4" L Dimension



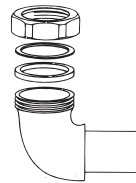
### F-21-AA

0306555	F-21-AA	1-1/2" x 1-1/4" CP Ell with Tail 5 C to E
0306558	F-21-AA	1-1/2" x 1-1/4" CP Ell with Tail 8 C to E



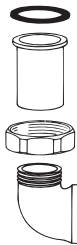
### F-25-A

0306671	F-25-A	1-1/2" RB SJ Ell with Tail 4-3/4" C to E W/2" Score
0306678	F-25-A	1-1/2" RB SJ Ell with Tail 5-1/2" C to E
0306682	F-25-A	1-1/2" RB SJ Ell with Tail 8" C to E W/2" Score
0306683	F-25-A	1-1/2" RB SJ Ell with Tail 8" C to E W/4" Score
0306687	F-25-A	1-1/2" RB SJ Ell with Tail 9" C to E
0306688	F-25-A	1-1/2" RB SJ Ell with Tail 10" C to E W/3 Score
0306712	F-25-A	1-1/2" RB SJ Ell with Tail 14" C to E W/3 Score
0306737	F-25-A	1-1/2" RB SJ Ell with Tail 19" C to E W/3 Score
0306719	F-25-A	1-1/2" RB SJ Ell with Tail 21" C to E W/3 Score



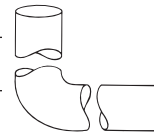
### F-43-A

0396009	F-43-A	1" CP Outlet A7 Street Ell (Royal®)
0396010	F-43-A	1" CP Outlet A7 Street Ell (Crown®)



### Tube Ends

Code No.	Part No.	Description
<b>F-109</b>		
0396265	F-109	1-1/4" x 5" x 8-1/2" CP Tube Bend
0396283	F-109	1-1/4" x 5" x 11-1/2" CP Tube Bend
0396288	F-109	1-1/4" x 5" x 13-1/2" CP Tube Bend
0396289	F-109	1-1/4" x 5" x 16" CP Tube Bend
0396290	F-109	1-1/4" x 5" x 21" CP Tube Bend
0396291	F-109	1-1/4" x 5" x 24" CP Tube Bend
0396293	F-109	1-1/2" x 5" x 8-1/2" CP Tube Bend
0396310	F-109	1-1/2" x 5" x 11-1/2" CP Tube Bend
0396316	F-109	1-1/2" x 5" x 13-1/2" CP Tube Bend
0396320	F-109	1-1/2" x 5" x 16" CP Tube Bend
0396322	F-109	1-1/2" x 5" x 21" CP Tube Bend
0396326	F-109	1-1/2" x 5" x 24" CP Tube Bend



### Miscellaneous

#### V-75

0322013	V-75	Inlet Adaptor for old style Royal®
0322015	V-75	Inlet Adaptor for old style Crown®

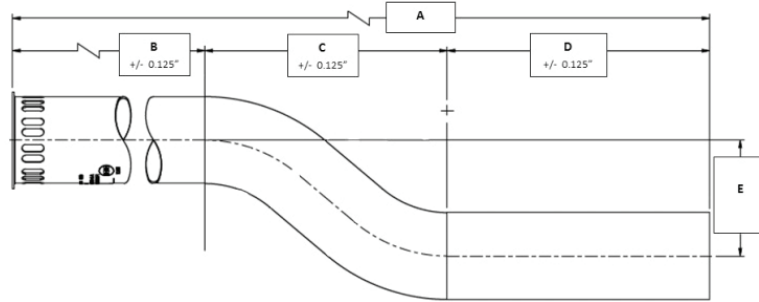


#### Special V-79

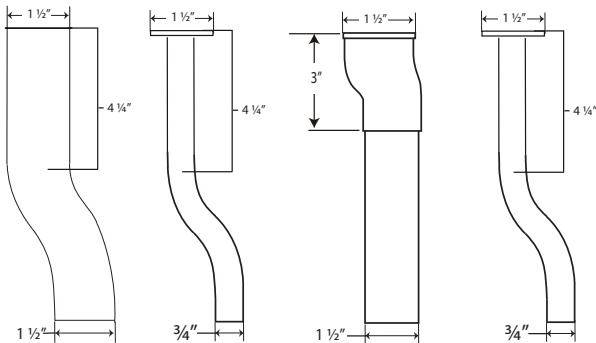
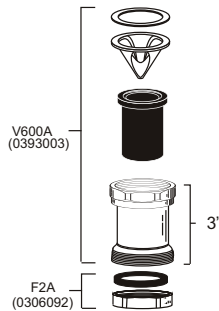
0322021	Spl V-79	3/4" RB Inlet Adaptor
0322026	Spl V-79	1" RB Inlet Adaptor



## Offset Outlet Tubes



Part no.	Code no	Description	Vacuum Breaker Length A	Offset E	Length Above Offset B	Length of Offset C	Length After Offset D
V-600AA V500AA	0393029 0323229	1½" x 22½" x 2" Offset	1½" x 22½"	2"	13 ¼"	4 ¼"	4 ½"
V-600AA V500AA	0393025 0323225	1½" x 22 13/16" x 2" Offset	1½" x 22 13/16"	1"	13 ¼"	3 ¼"	6"
V-600AA V500AA	0393027 0323227	1½" x 22 5/8" x 1½" Offset	1½" x 22 5/8"	1½"	13 ¼"	3 5/8"	5 ¼"
V-600AA V500AA	0393030 0323230	1½" x 25½" x 2" Offset	1½" x 25½"	2"	16 ¼"	4 ¼"	4 ½"
V-600AA V500AA	0393026 0323226	1½" x 25 13/16" x 1" Offset	1½" x 25 13/16"	1"	16 ¼"	3 ¼"	6"
V-600AA V500AA	0393028 0323228	1½" x 25 5/8" x 1½" Offset	1½" x 25 5/8"	1½"	16 ¼"	3 5/8"	5 ¼"



F188  
F-189  
F-190

F66A  
F67A  
F68A

F31AA

F29A

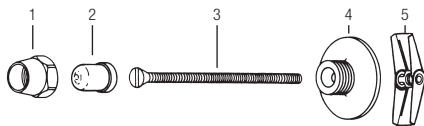
Part no.	Dimensions	Code no
F188	1½" x 13¼" x 1" Offset	0396530PK
F189	1½" x 13¼" x 1½" Offset	0396532PK
F190	1½" x 13¼" x 2" Offset	0396534PK
Part no.	Dimensions	Code no
F66A	1½" x 13¼" x 1" Offset	0396530
F67A	1½" x 13¼" x 1½" Offset	0396203
F68A	1½" x 13¼" x 2" Offset	0396204
Part no.	Dimensions	Code no
F31AA	1½" x 8 ¼" x 1" Offset	0306919
F31AA	1½" x 8 ¼" x 2" Offset	0306921
F31AA	1½" x 9 ¾" x 1½" Offset	0306922
Part no.	Dimensions	Code no
F29A	¾" x 7" x ½" Offset	0306787
F29A	¾" x 6" x 1" Offset	0306851
F29A	¾" x 13¼" x ½" Offset	0306762

## Bumpers, Pipe and Tube Supports

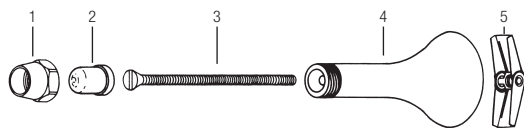


### BUMPERS

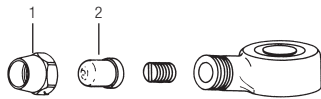
Item No.	Code No.	Part No.	Description
----------	----------	----------	-------------



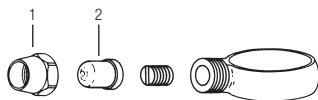
1-5	<b>0310001</b>	J-1-A	Flat Wall Bumper CP - Complete
1-2	<b>5310034</b>	J-2/J-7	Ferrule with White Plastic Bumper



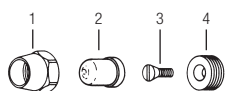
1-5	<b>0310004</b>	J-5-A	Wall Bumper Extension CP - Complete
1-2	<b>5310034</b>	J-2/J-7	Ferrule with White Plastic Bumper



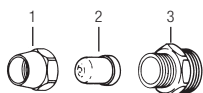
	<b>0310018</b>	J-9-A	Cover Bumper for Old Style Royal – <b>OBSOLETE</b>
1-2	<b>5310034</b>	J-2/J-7	Ferrule with White Plastic Bumper



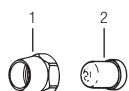
	<b>0310038</b>	J-12-A	1-1/2" Pipe Strap Bumper CP – <b>OBSOLETE</b>
1-2	<b>5310034</b>	J-2/J-7	Ferrule with White Plastic Bumper



1-4	<b>0310045</b>	J-13-A	Wheel Handle Angle Stop Bumper CP - Complete
1-2	<b>5310034</b>	J-2/J-7	Ferrule with White Plastic Bumper



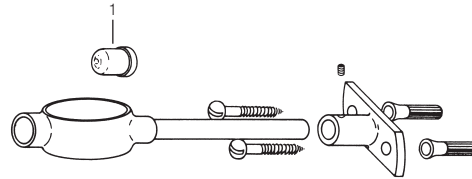
1-3	<b>0310054</b>	J-18-A	Old Style Screw Driver Stop Bumper CP - Complete
1-2	<b>5310034</b>	J-2/J-7	Ferrule with White Plastic Bumper
3	<b>0310052</b>	J-18	CP Lock Shield



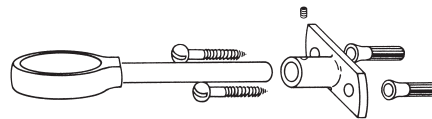
1-2	<b>5310034</b>	J-2/J-7	Ferrule with White Plastic Bumper
1	<b>0310016PK</b>	J-7	CP Ferrule for Plastic Bumper
2	<b>5310003</b>	J-2	White Plastic Bumper

### PIPE AND TUBE SUPPORTS

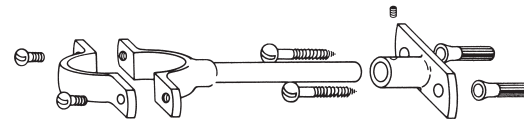
Item No.	Code No.	Part No.	Description
----------	----------	----------	-------------



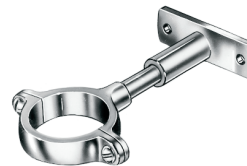
	<b>0310081</b>	J-112-A	1-1/2" Tube Support with Bumper 5 C/E - Complete
1	<b>0310003</b>	J-2	White Plastic Bumper



	<b>0310083</b>	J-212-A	1-1/2" Solid Ring Tube Support CP 5 C/E – Complete
	<b>0310087</b>	J-212-A	1-1/2" Solid Ring Tube Support CP 6 C/E – Complete
	<b>0310097</b>	J-212-A	CP Pipe Support 1" IPS 5 C/E – For Iron Supply Pipe



	<b>0310090</b>	J-312-A	1-1/2" Split Ring Tube Support CP 5 C/E – Complete
	<b>0310092</b>	J-312-A	1-1/2" Split Ring Tube Pipe Support CP 6 C/E – Complete
	<b>0310095</b>	J-312-AV	1" Split Ring Pipe Support CP 5 C/E – Complete – For Iron Supply Pipe



Split Ring Pipe Support J-312-A



Solid Ring Pipe Support J-212-A



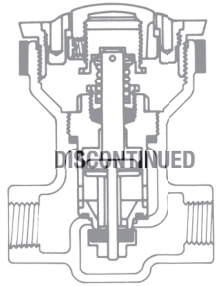
Solid Ring Pipe Support with Seat Bumper J-112-A

## Floor Valves

### 1/2" FLOOR VALVE

**Item**

No.	Code No.	Part No.	Description
	3316042	P-1000-A	1/2" Floor Valve Repair Kit (Includes Packing, Cotter Pin, Gasket, Leather Cup and Seats – <b>DISCONTINUED</b> )



1/2 inch Floor Valve



**Sweat Solder Kits**

**SWEAT SOLDER KITS**

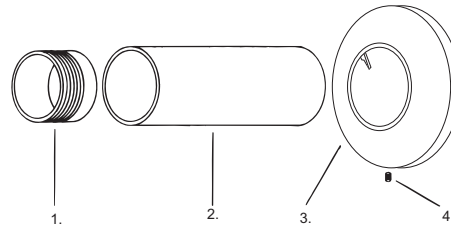
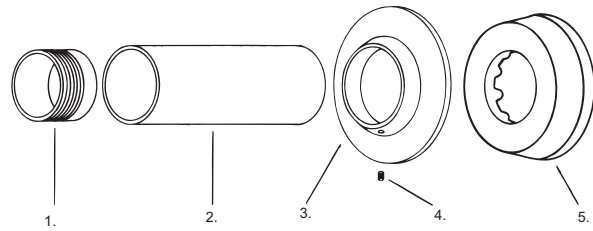
Item			
No.	Code No.	Part No.	Description
<b>H-533-A</b>			
1	<b>3308603</b>	H-532	1" Adapter*
1, 2, 5	<b>3308780</b>	H-533-AS	Sweat Solder Kit W/Stamped Wall Flange for 1" Supply-Closet & Urinal
1-4	<b>3308794</b>	H-533-AC	Sweat Solder Kit W/Cast Wall Flange for 1" Supply-Closet & Urinal
2.		H-534	1 3/8" Casing Tube for 1" Copper
	<b>0308605PK</b>	H-534	1 3/8" x 3" Casing Tube for 1" Copper
	<b>0308606PK</b>	H-534	1 3/8" x 6" Casing Tube for 1" Copper
	<b>0308593PK</b>	H-534	1 3/8" x 22-1/4" Casing Tube for 1" Copper
	<b>0308587PK</b>	H-534	1 3/8" x 36" Casing Tube for 1" Copper
<b>H-534-A</b>			
1	<b>3308603</b>	H-532	1" Adapter*
1, 2, 5	<b>3308783</b>	H-534-AS	Sweat Solder Kit W/Stamped Wall Flange for 1" Supply-Closet & Urinal 3" Tube
1-4	<b>3308796</b>	H-534-AC	Sweat Solder Kit W/Cast Wall Flange for 1" Supply-Closet & Urinal
2	—	H-534	Casing Tube for 1" Copper
<b>H-536-A</b>			
1	<b>3308607</b>	H-535-A	3/4" Adapter*
1, 2, 5	<b>3308786</b>	H-536-AS	Sweat Solder Kit W/Stamped Wall Flange for 3/4" Supply-Closet & Urinal
1-4	<b>3308798</b>	H-536-AC	Sweat Solder Kit W/Cast Wall Flange for 3/4" Supply-Closet & Urinal
2	—	H-537	1 1/8" Casing Tube for 3/4" Copper

Note: H-532-AS, H-533-AS, H-534-AS, H-535-AS and H-536-AS are also identified as suffix YB when furnished with flush valve.

All Tube lengths- 2"

\*Furnished separate for concealed installations.

Item			
No.	Code No.	Part No.	Description
<b>H-633-AA</b>			
1	<b>3308603</b>	H-532	1" Adapter
1-4	<b>3308782</b>	H-633-AA	Sweat Solder Kit for 1" Supply – Urinal 3" Tube
2	—	H-534	Casing Tube for 1" Copper
<b>H-634-AA</b>			
1	<b>3308603</b>	H-532	1" Adapter
1-4	<b>3308785</b>	H-634-AA	Sweat Solder Kit for 1" Supply – Closet 6" Tube
2	—	H-534	Casing Tube for 1" Copper
<b>H-636-AA</b>			
1	<b>0308607</b>	H-535	3/4" Adapter
1-4	<b>3308788</b>	H-636-AA	Sweat Solder Kit for 3/4" Supply – Urinal
2	—	H-537	Casing Tube for 3/4" Copper





## Flushometer Parts Quick Reference Guide

### V-500-AA VACUUM BREAKER FLUSH CONNECTION

Code No.	Part No.	Description
5323006	V-500-AA	CP Vacuum Breaker 1-1/4" x 9"
5323005	V-500-AA	CP Vacuum Breaker 3/4" x 9"
5323007	V-500-AA	CP Vacuum Breaker 1-1/2" x 9"
0323229	V-500-AA	CP Vacuum Breaker 1-1/2" x 22-1/2" w/2" Offset
0323225	V-500-AA	CP Vacuum Breaker 1-1/2" x 22-13/16" w/1" Offset
0323227	V-500-AA	CP Vacuum Breaker 1-1/2" x 22-5/8" w/1-1/2" Offset
0323230	V-500-AA	CP Vacuum Breaker 1-1/2" x 25-1/2" w/2" Offset
0323226	V-500-AA	CP Vacuum Breaker 1-1/2" x 25-13/16" w/1" Offset
0323228	V-500-AA	CP Vacuum Breaker 1-1/2" x 25-5/8" w/1-1/2" Offset
0323013	V-500-AA	CP Vacuum Breaker 1-1/2" x 10-1/2"
0323014	V-500-AA	CP Vacuum Breaker 1-1/2" x 13-1/2"
0323017	V-500-AA	CP Vacuum Breaker 1-1/2" x 15"
0323015	V-500-AA	CP Vacuum Breaker 1-1/2" x 21-1/2"
0323016	V-500-AA	CP Vacuum Breaker 1-1/2" x 24-1/2"
0323021	V-500-AA	CP Vacuum Breaker 1-1/2" x 26"
0323057	V-500-AA	CP Vacuum Breaker 1-1/2" x 32"
0323002	V-500-AA	CP Vacuum Breaker 1-1/4" x 10-1/2"
0323018	V-500-AA	CP Vacuum Breaker 1-1/4" x 13-1/2"
0323026	V-500-AA	CP Vacuum Breaker 1-1/4" x 15"
0323020	V-500-AA	CP Vacuum Breaker 1-1/4" x 21-1/2"
0323012	V-500-AA	CP Vacuum Breaker 1" x 9"
0323004	V-500-AA	CP Vacuum Breaker 3/4" x 10-1/2"
0323210	V-500-AA	CP Vacuum Breaker 3/4" x 15"
0323188	V-500-AA	RB Vacuum Breaker 1-1/2" x 11-1/2" w/3" Score
0323142	V-500-AA	RB Vacuum Breaker 1-1/2" x 13-1/2" w/3" Score
0323176	V-500-AA	RB Vacuum Breaker 1-1/2" x 17-1/2" w/3" Score
0323177	V-500-AA	RB Vacuum Breaker 1-1/2" x 22" w/3" Score
0323209	V-500-AA	RB Vacuum Breaker 1-1/2" x 30-1/2" w/3" Score
0323207	V-500-AA	RB Vacuum Breaker 1-1/2" x 6" w/3" Score
0323208	V-500-AA	RB Vacuum Breaker 1-1/2" x 7-1/2" w/3" Score

### V-600-AA VACUUM BREAKER FLUSH CONNECTION

Code No.	Part No.	Description
0393029	V-600-AA	CP Vacuum Breaker 1-1/2" x 22-1/2" w/2" Offset
0393025	V-600-AA	CP Vacuum Breaker 1-1/2" x 22-13/16" w/1" Offset
0393027	V-600-AA	CP Vacuum Breaker 1-1/2" x 22-5/8" w/1-1/2" Offset
0393030	V-600-AA	CP Vacuum Breaker 1-1/2" x 25-1/2" w/2" Offset
0393026	V-600-AA	CP Vacuum Breaker 1-1/2" x 25-13/16" w/1" Offset
0393028	V-600-AA	CP Vacuum Breaker 1-1/2" x 25-5/8" w/1-1/2" Offset
0393008	V-600-AA	CP Vacuum Breaker 1-1/2" x 13-1/2"
0393031	V-600-AA	CP Vacuum Breaker 1-1/2" x 15"
0393009	V-600-AA	CP Vacuum Breaker 1-1/2" x 21-1/2"
0393010	V-600-AA	CP Vacuum Breaker 1-1/2" x 24-1/2"
0393038	V-600-AA	CP Vacuum Breaker 1-1/2" x 36"
3393007	V-600-AA	CP Vacuum Breaker 1-1/2" x 9" package
0393039	V-600-AA	CP Vacuum Breaker 1-1/4" x 13-1/2"
0393045	V-600-AA	CP Vacuum Breaker 1-1/4" x 21-1/2"
3393006	V-600-AA	CP Vacuum Breaker 1-1/4" x 9" package
0393046	V-600-AA	CP Vacuum Breaker 3/4" x 10-1/2"
0393047	V-600-AA	CP Vacuum Breaker 3/4" x 15"
3393004	V-600-AA	CP Vacuum Breaker 3/4" x 9" package

### F-7 SUPPLY FLANGE

0306167	F-7	CP Flange Flat 1/2" IPS x 2-23/32"
0306188	F-7	CP Flange Flat 3/4" x 2-23/32"
0306238	F-7	CP Flange Spud 1-1/2" x 3" w/Prongs
0306214	F-7	CP Flange Spud 1-1/4" x 3" w/Prongs
0306197	F-7	CP Flange Spud 1" x 2-1/2" w/Prongs
0306189	F-7	CP Flange Spud 3/4" x 2-1/2" w/Prongs
0306205	F-7	CP Flange Supply 1-1/4" x 3"
0306196	F-7	CP Flange Supply 1" x 2-3/4" w/Prongs
0306191	F-7	CP Flange Supply 3/4" x 2-3/4" w/Prongs
0306209	F-7	CP Flange Supply Flat 1-1/4" x 3-1/8"
0306201	F-7	CP Flange Supply Flat 1" x 3-1/8"
0306204	F-7	CP Flange Tube 1-1/4" x 2-3/4" w/Prongs
0306237	F-7	CP Flange Tube 1-1/2" x 2-3/4" w/Prongs

### F-15-A ELBOW FLUSH CONNECTION

0306341	F-15-A	CP Elbow Tail Assembly SJ 3/4" x 4"
0306362	F-15-A	RB Elbow Tail Assembly SJ 3/4" x 10"
0306366	F-15-A	RB Elbow Tail Assembly SJ 3/4" x 11"
0306340	F-15-A	RB Elbow Tail Assembly SJ 3/4" x 4"
0306344	F-15-A	RB Elbow Tail Assembly SJ 3/4" x 6"
0306350	F-15-A	RB Elbow Tail Assembly SJ 3/4" x 7"
0306355	F-15-A	RB Elbow Tail Assembly SJ 3/4" x 8"
0306358	F-15-A	RB Elbow Tail Assembly SJ 3/4" x 9"

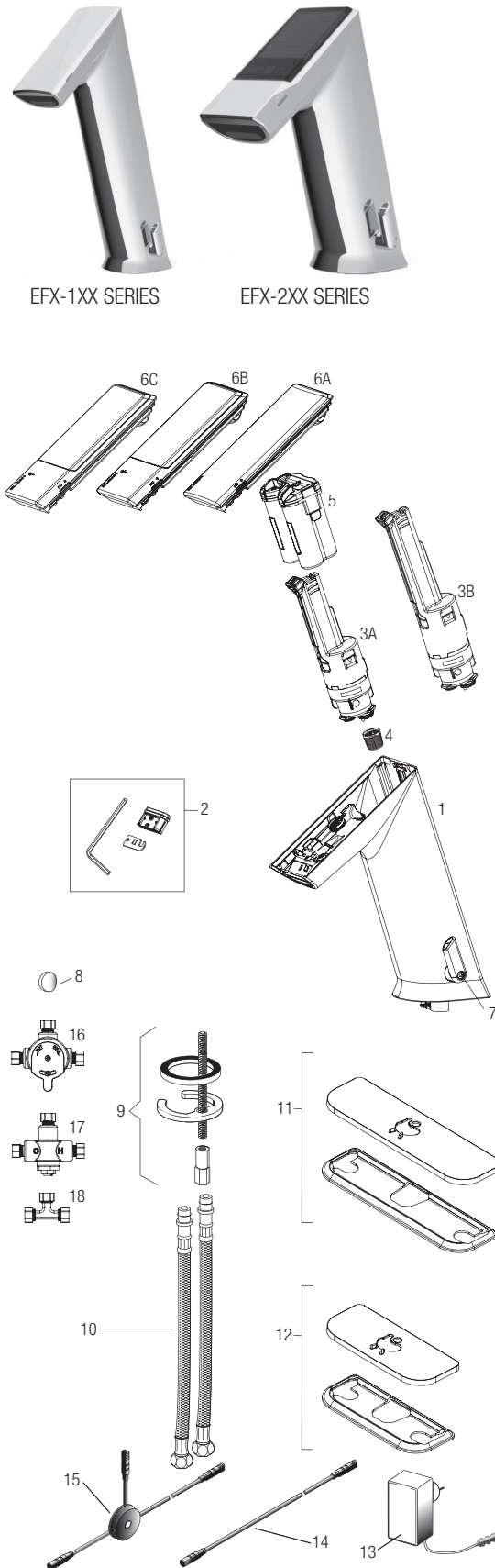
### F-109 TUBE BEND

Code No.	Part No.	Description
0396310	F-109	CP Tube Outlet 1-1/2" x 11-1/2" x 5" Bends
0396283	F-109	CP Tube Outlet 1-1/4" x 11-1/2" x 5" Bends
0396288	F-109	CP Tube Outlet 1-1/4" x 13-1/2" x 5" Bends
0396293	F-109	CP Tube Outlet 1-1/2" x 8-1/2" x 5" Bends
0396265	F-109	CP Tube Outlet 1-1/4" x 8-1/2" x 5" Bends
0396316	F-109	CP Tube Outlet 1-1/2" x 13" x 5" Bends
0396320	F-109	CP Tube Outlet 1-1/2" x 16" x 5" Bends
0396322	F-109	CP Tube Outlet 1-1/2" x 21" x 5" Bends
0396326	F-109	CP Tube Outlet 1-1/2" x 24" x 5" Bends
0396289	F-109	CP Tube Outlet 1-1/4" x 16" x 5" Bends
0396290	F-109	CP Tube Outlet 1-1/4" x 21" x 5" Bends
0396291	F-109	CP Tube Outlet 1-1/4" x 24" x 5" Bends

### F-100 FLARED END FLUSH CONNECTION

Code No.	Part No.	Description
0396160	F-100	RB Outlet 1-1/2" x 11-1/2" w/3" Score
0396167	F-100	RB Outlet 1-1/2" x 13-1/2" w/3" Score
0396168	F-100	RB Outlet 1-1/2" x 19-1/2" w/3" Score
0396169	F-100	RB Outlet 1-1/2" x 23-1/2" w/3" Score
0396156	F-100	RB Outlet 1-1/2" x 3-1/4" w/3" Score
0396157	F-100	RB Outlet 1-1/2" x 5-1/2" w/3" Score
0396158	F-100	RB Outlet 1-1/2" x 7-1/2" w/3" Score
0396159	F-100	RB Outlet 1-1/2" x 9-1/2" w/3" Score
0396161	F-100	RB Outlet 1-1/2" x 9-1/2" w/9" Score

# BASYS® Faucet Infrared Sensor Activated

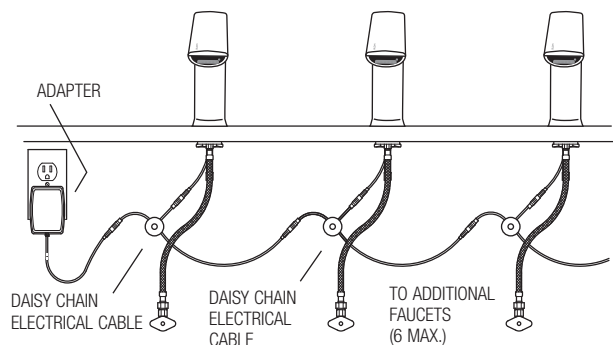


## PARTS LIST—BASYS FAUCETS

Item No.	Code No.	Part No.	Description
1.	—	—	Mid Mount Faucet Assembly
	—	—	Mid Mount Faucet Assembly with Mixer
	—	—	High Mount Faucet Assembly
	—	—	High Mount Faucet Assembly with Mixer
2.	<b>3324104</b>	EFX-1002-A	0.5 gpm/1.9 Lpm Multi-Lam Insert (includes insert, o-ring, 2.5 mm allen key and removal tool)
	<b>3324103</b>	EFX-1001-A	1.5 gpm/5.7 Lpm Aerated Stream Insert (includes insert, o-ring, 2.5 mm allen key and removal tool)
	<b>3324102</b>	EFX-1000-A	1.5 gpm/5.7 Lpm Laminar Stream Insert (includes insert, o-ring, 2.5 mm allen key and removal tool)
3A.	<b>3324122</b>	EFX-15-A	0.5 gpm/1.9 Lpm Solenoid Valve Caddy Assembly – Mid Mount (Green)
	<b>3324123</b>	EFX-16-A	1.5 gpm/5.7 Lpm Solenoid Valve Caddy Assembly – Mid Mount (Blue)
3B.	<b>3324124</b>	EFX-17-A	0.5 gpm/1.9 Lpm Solenoid Valve Caddy Assembly – High Mount (Green)
	<b>3324125</b>	EFX-18-A	1.5 gpm/5.7 Lpm Solenoid Valve Caddy Assembly – High Mount (Blue)
4.	<b>0324019</b>	EFX-19	Strainer (Filter)
5.	<b>3324128</b>	EFX-7-A	Battery Pack Assembly
6A.	<b>3324118</b>	EFX-1-A	Crown Assembly
6B.	<b>3324119</b>	EFX-3-A	Solar Crown Assembly
6C.	<b>3324120</b>	EFX-4-A	Solar Crown with LCD Assembly
7.	<b>3324133</b>	EFX-24-A	Mixer Handle Assembly
8.	<b>3324134</b>	EFX-25A	Handle Cap Kit (bag of 5)
9.	<b>0335000</b>	EAJ-1	Faucet Mounting Kit (Pedestal)
10.	<b>3335023</b>	EAJ-1008	13" (330 mm) Flexible Supply Hose (1)
11.	<b>3324101</b>	EFX-26-A	Trim Plate for 8" Centerset Sink
12.	<b>3324100</b>	EFX-20-A	Trim Plate for 4" Centerset Sink
13.	<b>0335009</b>	EAJ-11	Plug-in Voltage Adapter (US)
	<b>0335041</b>	EAJ-41	Plug-in Voltage Adapter (EU)
	<b>0335039</b>	EAJ-39	Plug-in Voltage Adapter (UK)
	<b>0335037</b>	EAJ-37	Box Type Voltage Adapter
14.	<b>0335024</b>	EAJ-24-A	11-13/16" (300 mm) Extension Cable
	<b>0335025</b>	EAJ-25-A	47-1/4" (1200 mm) Extension Cable
	<b>0335015</b>	EAJ-17-A	126" (3200 mm) Extension Cable
15.	<b>0335023</b>	EAJ-23-A	Splitter
16.	<b>3326009</b>	MIX-60-A	Mechanical, Below Deck Mixing Valve
17.	<b>0326045</b>	MIX-135-A	Thermostatic, Below Deck Mixing Valve
18.	<b>3365461</b>	ETF-617-A	Bak-Chek Tee

NOTE: If changing flow rate caddy and spray insert must be changed in conjunction.  
 — in Item No. column = Not shown in illustration  
 — in Code No. and Part No. column = Not sold separately

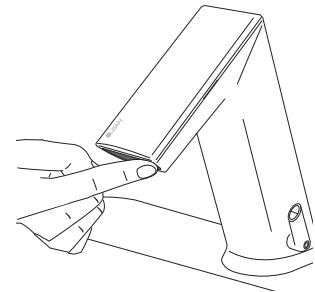
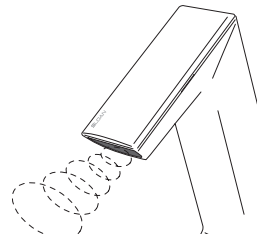
## Electrical Connection for up to Six (6) Faucets Using One (1) Adapter



# BASYS® Faucet Infrared Sensor Activated

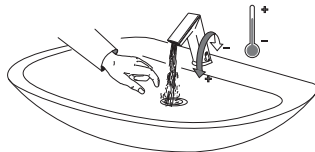
## OPERATION

As the user's hands enter the beam's effective range, the beam is reflected back into the sensor receiver and activates the solenoid valve allowing water to flow from the faucet. Water will flow until the hands are removed or until the faucet reaches its automatic time out limit setting.

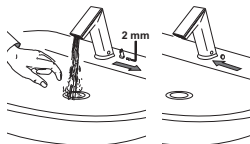


## SET AND FIX TEMPERATURE AND ADJUST HOT LIMIT STOP

Adjust lever to set temperature.



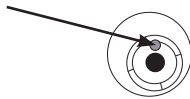
Optional — To fix temperature, set lever to the desired position, then remove lever and plug hole with Cap.



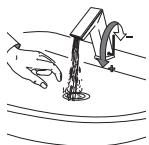
Optional Hot Limit Stop Adjustment — To adjust the hot/cold mix (factory set at 50/50) remove the lever.



Check to make sure dot is in center position before beginning adjustment.



Faucet may be adjusted in 10° increments.



Function	Steps to Activate Function	Default Setting	IR Clic
<b>IR Activation</b>	Cover IR clic approximately for 2 sec. until LED will flash GREEN 1x - then remove finger from IR clic (Active for 5 sec.)	—	—
<b>Cleaning Mode</b>	IR activation; Cover IR clic 2x - confirmation of the function is active by a couple flashes by the LED; to return to normal operation cover IR clic 1x or the faucet will automatically return to normal function after 2 min.	2 min.	—
<b>12/24 Line Purge Feature</b>	See below.	Off	Off 12HR 24HR
<b>Sensor Range Adjustment</b>	See page 123.	6	1-8
<b>Reset Electronics</b>	IR activation; Cover IR clic 2x; LED will flash 5x Cover IR clic 1x for 5 sec. until LED flashes 4x, then remove finger from IR clic Wait for 20 sec. (After 10 sec. water will flow for 6 sec. and automatically adjust to environment)	Manually	—
<b>Security Off</b>	After 90 seconds (max) of hand and/or object within sensor appears permanent, waterflow will stop and will remeasure environment	On	—

Please contact factory for more extensive programming options.

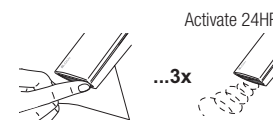
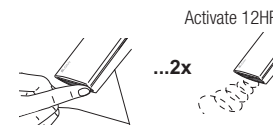
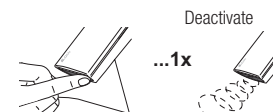
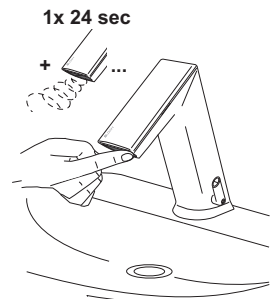
## 12/24 LINE PURGE FEATURE

This feature will operate the faucet every 12 or 24 hours since last use, if not used to prevent stagnant water conditions.

Default purge duration is two minutes.

Consult factory regarding other timing options.

IR activation (see above). Cover IR clic approximately 24 sec. (ignore LED indications during this period). Release when requested program is reached. (See diagram to right). Programming mode will time out after 2 minutes if no changes are made.

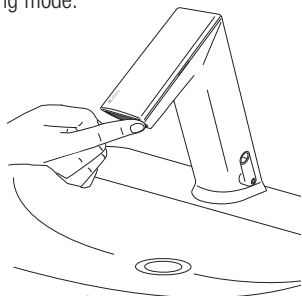


## BASYS® Faucet Infrared Sensor Activated

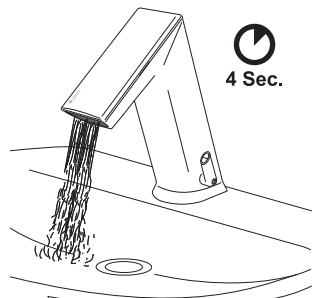
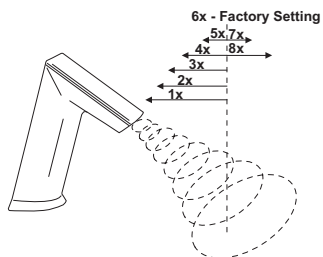
### SENSOR RANGE ADJUSTMENT

**Factory setting is appropriate for the majority of applications and should not require resetting unless under extreme situations.**

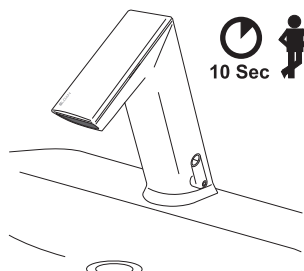
IR Activation (see previous page). To enter programming mode place finger on IR clic 2 times then remove. Light on side of crown should blink to indicate programming mode.



Cover IR clic until LED flashes 4x - hold until LED flashes 1x to 8x, from minimum to maximum. See diagram below. Release when requested range is reached.



Wait, until LED flashes GREEN.



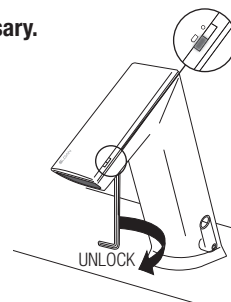
### BATTERY REPLACEMENT

**NOTE: Replace Battery when LED1 indicator flashes red each time faucet is in use or when faucet stops functioning. LED1 is identified by the battery symbol.**

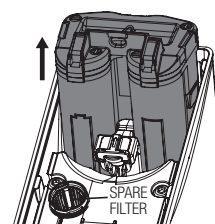
**NOTE: Turning off water is not necessary.**

Remove crown by loosening hex screw located on underside of spout and slide crown down and lift off.

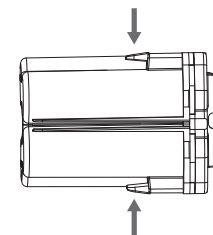
**NOTE: Screw is captive within faucet body and will not fall out.**



Remove battery pack assembly by lifting out of spout.



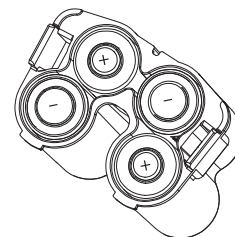
Open battery pack assembly by pushing in tabs on side of assembly.



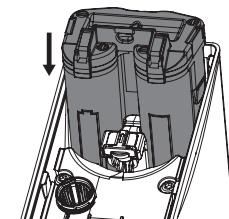
Remove (4) AA-cell batteries from battery pack.

Insert four (4) NEW AA-cell batteries into battery pack assembly cartridge.

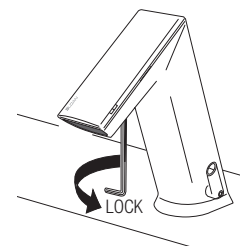
**NOTE: Insure batteries are installed with proper polarity. The cover of the case indicates polarity of batteries. Improper polarity will not harm the faucet. Improper polarity will cause the faucet not to operate.**



Replace cover of the battery pack assembly and reinsert assembly into faucet.



Slide on crown and secure.



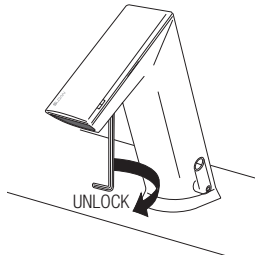
## BASYS® Faucet Infrared Sensor Activated

### REPLACE SPRAY INSERT

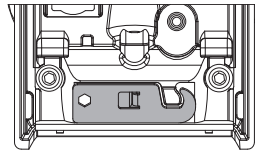
NOTE: Turning off water is not necessary, due to integrated automatic stop valve.

Remove crown by loosening hex screw located on underside of spout and slide crown down and lift off.

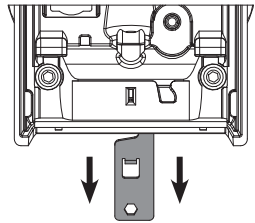
**NOTE: Screw is captive within faucet body and will NOT fall out.**



Retrieve spray removal tool located near the spray insert.

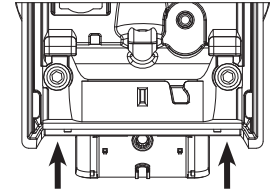


Insert spray removal tool into spray slot by sliding hook end of key between faucet spout and insert. Pull insert out of faucet once hooked.



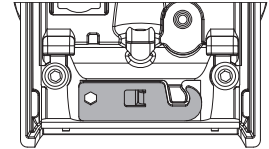
Install new insert.

**NOTE: If changing to a different flow rate solenoid caddy must be changed in conjunction.**



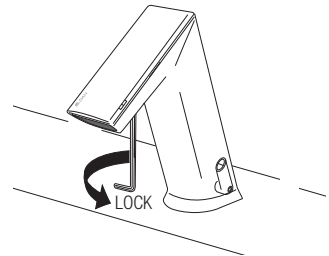
Return spray removal tool to storage location.

**NOTE: This can only be done once spray head is installed. This will lock the spray head in place.**



**NOTE: If spray head is inserted incorrectly – key will not lock in properly. Turn faucet on to push insert out and re-install.**

Slide on crown and secure.



## BASYS® Faucet Infrared Sensor Activated

### TROUBLESHOOTING GUIDE

#### 1. Red LED in spout does not blink 2 sec after battery installation.

- Battery placement incorrect or batteries have been discharged.
- Ensure batteries are installed properly. Check the orientation of each battery matches the positive (+) and negative (-) symbols shown on the battery compartment.

#### 2. Faucet DOES NOT function.

- Adhesive packaging label affixed over sensor eye.
- Remove adhesive label from sensor eye.

#### 3. Faucet delivers water in an uncontrolled manner.

- Clean sensor window. If continually not working contact Sloan Tech Support.

#### 4. Faucet DOES NOT deliver any water when sensor is activated.

- INDICATOR: Solenoid valve produces an audible "CLICK".
- Water supply stop(s) closed.  
Open water supply stop(s).
  - Strainer is clogged.  
Remove, clean, and reinstall strainer. Replace strainer, if needed (refer to page 151).
- INDICATOR: Solenoid valve DOES NOT produce an audible "CLICK".
- Batteries low (battery-powered models).  
Replace batteries (refer to battery replacement on page 151).
  - Power failure (hardwire models).  
Check power supply.

#### 5. Faucet delivers only a slow flow or dribble when sensor is activated.

- Water supply stop(s) are partially closed.  
Completely open water supply stop(s).

#### 6. Faucet DOES NOT stop delivering water or continues to drip after user is no longer detected.

- Clean sensor window. If continually now working contact Sloan's Technical Support (see below).

#### 7. LED indicator blinks RED when faucet is in use.

- Batteries low (battery-powered models).
- Replace batteries (refer to battery replacement on page 151).

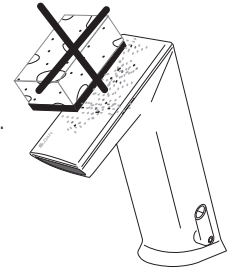
#### 8. The water temperature is too hot or too cold on a faucet connected to hot and cold water supply lines.

- Supply stops are not adjusted properly.  
Adjust supply stops.
- For models with integral side mixing valve—mixing valve is set improperly for the water temperature desired.  
Rotate mixing valve handle clockwise to decrease water temperature or counterclockwise to increase water temperature.
- Inadequate hot water supply.  
Adjust supply stops.

### CARE AND CLEANING

**DO NOT USE** abrasive or chemical cleaners (including chlorine bleach) to clean Faucets that may dull the luster and attack the chrome or special decorative finishes. Use **ONLY** mild soap and water, then wipe dry with clean cloth or towel.

While cleaning the bathroom tile, protect the Faucet from any splattering of cleaner. Acids and cleaning fluids will discolor or remove chrome plating.



**When assistance is required, please contact  
Sloan Technical Support at: 1-888-SLOAN-14 (1-888-756-2614).**

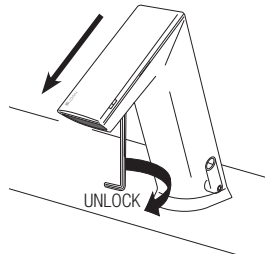


# BASYS® Faucet Infrared Sensor Activated

## UPGRADE FAUCET FUNCTIONALITY

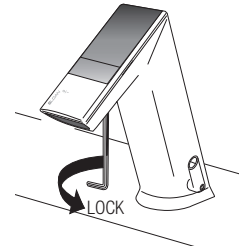
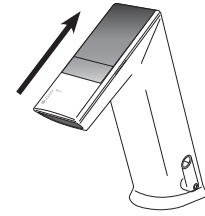
Remove crown by loosening hex screw located on underside of spout and slide crown down and lift off.

**NOTE: Screw is captive within faucet body and will NOT fall out.**

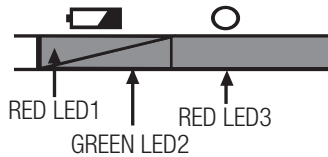


Place new crown on faucet by sliding onto spout and tightening hex screw on underside of spout.

**NOTE: All electronics are fully encapsulated in the crown and thus protected from the environment and easy to replace or upgrade.**



## LED DISPLAY DIAGNOSTIC CODES



Function	LED1	LED2	LED3	Description 1	Description 2
Start Up Boot	RED	GREEN		LED1 and LED2 alternate blinking	Fast Toggle
Battery Check after Start Up	RED			LED1 on for 2 sec, if battery greater than 3.5V	
Line Power Check after Start Up			RED	LED3 on for 2 sec, if line power greater than 3.5V	
IR Adjust Process	RED			LED1 blinking while IR adjusts	Few seconds
IR Adjust IR		GREEN		LED2 on for 2 sec, if adjustment OK	
Battery Low	RED			LED1 blinks 3x, if battery is less than warning level	Only while in detection mode
Battery Empty	RED			LED1 double flashes 3x, if battery is less than empty level	Only while in detection mode
Valve Error			RED	LED3 double flashes 3x, if valve current error; flash after the 3rd error, off after the 3rd good operation	Flashes after the 3rd error, off after the 3rd good operation
IR Activation		GREEN		LED2 on for 2 sec, if IR-clic has been activated	After 5 sec. automatically back to operating mode
Cleaning Mode	RED			LED1 4-in-1 flash, if cleaning mode is activated	During "Cleaning Mode" is activated Permanent 4-in-1 flashes

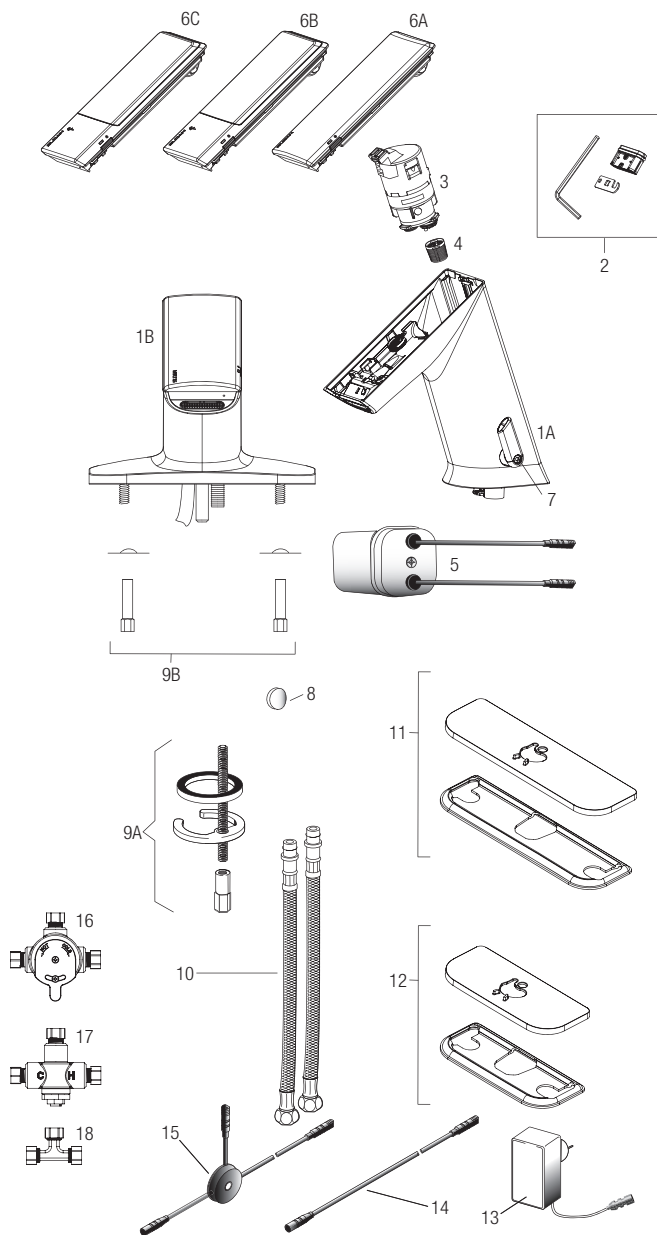


# BASYS® Faucet Infrared Sensor Activated



EFX-3XX SERIES

EFX-6XX SERIES



### PARTS LIST—BASYS FAUCETS

Item No.	Code No.	Part No.	Description
1A.	—	—	Low Pedestal Faucet Assembly*
	—	—	Low Pedestal Faucet Assembly with Mixer*
1B.	—	—	Low Integrated Base Faucet Assembly†
2.	<b>3324104</b>	EFX-1002-A	0.5 gpm/1.9 Lpm Multi-Lam Spray Head (includes insert, o-ring, 2.5 mm allen key, and removal tool)
	<b>3324103</b>	EFX-1001-A	1.5 gpm/5.7 Lpm Aerated Stream Insert (includes insert, o-ring, 2.5 mm allen key, and removal tool)
	<b>3324102</b>	EFX-1000-A	1.5 gpm/5.7 Lpm Laminar Stream Insert (includes insert, o-ring, 2.5 mm allen key, and removal tool)
3.	—	EFX-37	0.5 gpm/1.9 Lpm Solenoid Valve Caddy Assembly — Low (Green)
	—	EFX-38	1.5 gpm/5.7 Lpm Solenoid Valve Caddy Assembly — Low (Blue)
4.	<b>0324019</b>	EFX-19	Strainer (Filter)
5.	<b>3324117</b>	EFX-23-A	Battery Pack Assembly
6A.	<b>3324118</b>	EFX-1-A	Crown Assembly
6B.	<b>3324119</b>	EFX-3-A	Solar Crown Assembly
6C.	<b>3324120</b>	EFX-4-A	Solar Crown with LCD Assembly
7.	—	—	Mixer Handle Assembly (for EFX-3 IR models only)
8.	—	EFX-25	Handle Cap (for EFX-3 IR models only)
9A.	<b>0335000</b>	EAF-1	Faucet Mounting Kit (for pedestal model only)
9B.	—	EFX-21-A	Faucet Mounting Kit (for integrated base model only)
10.	<b>3335023</b>	EAF-1008	13" (330 mm) Flexible Supply Hose (1)
11.	<b>3324101</b>	EFX-26-A	Trim Plate for 8" Centerset Sink
12.	<b>3324100</b>	EFX-20-A	Trim Plate for 4" Centerset Sink
13.	<b>0335009</b>	EAF-11	Plug-in Voltage Adapter (US)
	<b>0335041</b>	EAF-41	Plug-in Voltage Adapter (EU)
	<b>0335039</b>	EAF-39	Plug-in Voltage Adapter (UK)
	<b>0335037</b>	EAF-37	Box Type Voltage Adapter
14.	<b>0335024</b>	EAF-24-A	11-13/16" (300 mm) Extension Cable
	<b>0335025</b>	EAF-25-A	47-1/4" (1200 mm) Extension Cable
	<b>0335015</b>	EAF-17-A	126" (3200 mm) Extension Cable
15.	<b>0335023</b>	EAF-23-A	Splitter
16.	<b>3326009</b>	MIX-60-A	Mechanical, Below Deck Mixing Valve
17.	<b>0326045</b>	MIX-135-A	Thermostatic, Below Deck Mixing Valve
18.	<b>3365461</b>	ETF-617-A	Bak-Chek Tee

NOTE: If changing flow rate caddy and spray insert must be changed in conjunction.

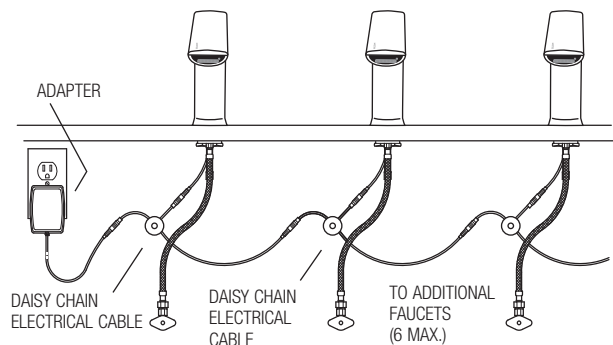
† Single Supply faucets include Bak-Chek®

\*Integral Base model not available with integral to faucet side mixer; single supply faucets include Bak-Chek®

— in Item No. column = Not shown in illustration

— in Code No. and Part No. column = Not sold separately

### Electrical Connection for up to Six (6) Faucets Using One (1) Adapter



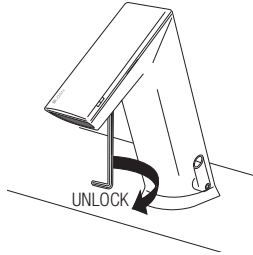
## BASYS® Faucet Infrared Sensor Activated

### REPLACING THE SOLENOID STRAINER (FILTER)

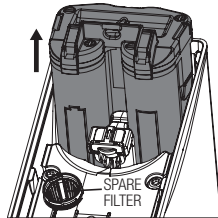
NOTE: Turning off water is not necessary, due to integrated automatic stop valve.

Remove crown by loosening hex screw located on underside of spout and slide crown down and lift off.

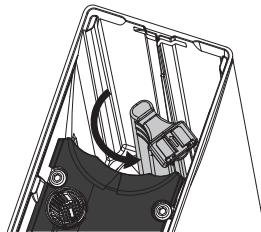
**NOTE: Screw is captive within faucet body and will not fall out.**



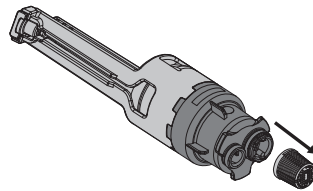
Remove battery pack assembly by lifting out of spout.



Rotate solenoid assembly counter-clockwise through a 45° angle.

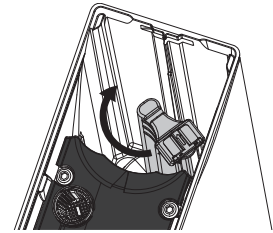


Pull solenoid caddy from faucet.  
**NOTE: STRAINER (FILTER) CAN BE REMOVED, CLEANED AND REPLACED AT THIS TIME.**

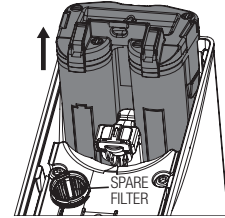


Insert new solenoid caddy at a 45° angle.

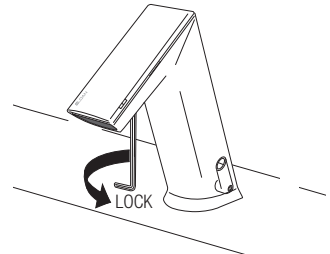
Rotate solenoid caddy clockwise to align with arrow, locking the unit and opening water path.



Reinsert battery pack assembly.



Slide on crown and secure.



## BASYS® Faucet Infrared Sensor Activated

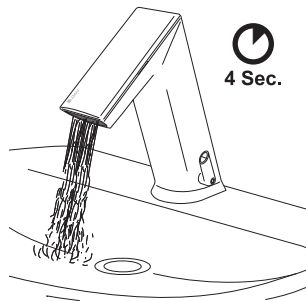
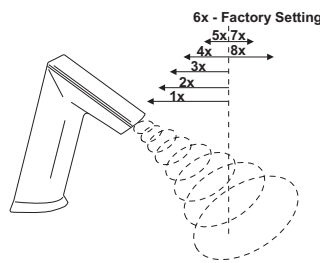
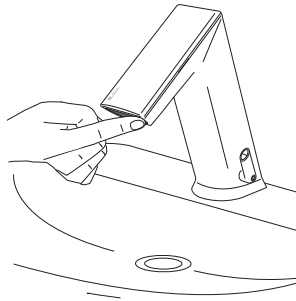
### SENSOR RANGE ADJUSTMENT

Factory setting is appropriate for the majority of applications and should not require resetting unless under extreme situations.

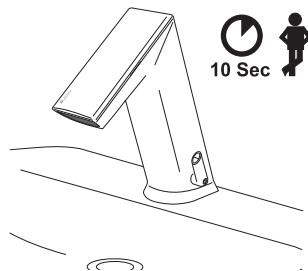
#### IR Activation

To enter programming mode place finger on IR clic 2 times then remove. Light on side of crown should blink red to indicate programming mode.

Cover IR clic until LED flashes 4x - hold on until LED flashes 1x to 8x, from minimum to maximum range. See diagram below. Release when requested range is reached.



Wait until LED flashes GREEN.



### BATTERY REPLACEMENT

NOTE: Replace Battery when LED1 indicator flashes red each time faucet is in use or when faucet stops functioning. LED1 is identified by the battery symbol.

NOTE: Turning off water is not necessary.

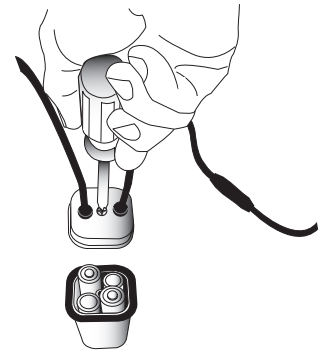
Loosen cover screw and remove cover from battery pack.

Install four (4) AA-size batteries (supplied) as indicated by the (+) and (-) symbols inside the battery compartment.

Replace battery pack lid and tighten with screwdriver.

NOTE: Make sure batteries are installed with proper polarity. The cover of the case indicates polarity of batteries. Improper polarity will not harm the faucet. Improper polarity will cause the faucet not to operate.

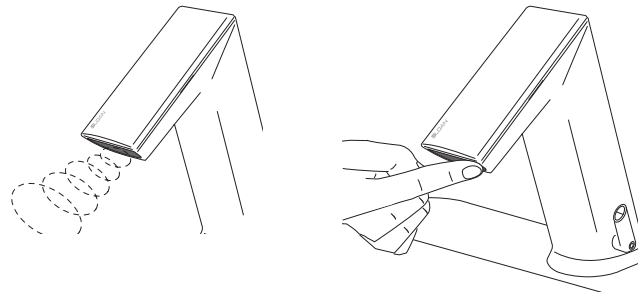
\*Replace all at once.



# BASYS® Faucet Infrared Sensor Activated

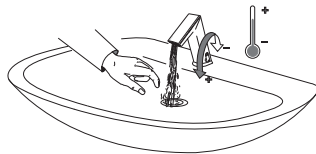
## OPERATION

As the user's hands enter the beam's effective range, the beam is reflected back into the sensor receiver and activates the solenoid valve allowing water to flow from the faucet. Water will flow until the hands are removed or until the faucet reaches its automatic time out limit setting.

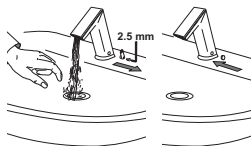


## SET AND FIX TEMPERATURE AND ADJUST HOT LIMIT STOP

Adjust lever to set temperature.

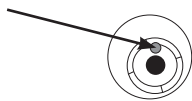
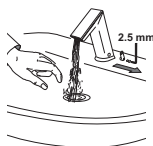


OPTIONAL – To fix temperature, set lever to the desired position, then remove lever and plug hole with cap.

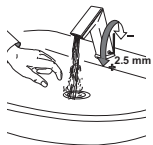


Optional Hot Limit Stop Adjustment – To adjust the hot/cold mix (factory set at 50/50) remove the lever.

Check to make sure dot is in center position before beginning adjustment.



Faucet may be adjusted in 10° increments.



Function	Steps to Activate Function	Default Setting	IR Clic
<b>IR Activation</b>	Cover IR clic approximately for 2 sec. until LED will flash GREEN 1x - then remove finger from IR clic (Active for 5 sec.)	—	—
<b>Cleaning Mode</b>	IR activation; Cover IR clic 2x - confirmation of the function is active by a couple flashes by the LED; to return to normal operation cover IR clic 1x or the faucet will automatically return to normal function after 2 min.	2 min.	—
<b>12/24 Line Purge Feature</b>	See below.	Off	Off 12HR 24HR
<b>Sensor Range Adjustment</b>	See page 130.	6	1-8
<b>Reset Electronics</b>	IR activation; Cover IR clic 2x; LED will flash 5x Cover IR clic 1x for 5 sec. until LED flashes 4x, then remove finger from IR clic Wait for 20 sec. (After 10 sec. water will flow for 6 sec. and automatically adjust to environment)	Manually	—
<b>Security Off</b>	After 90 seconds (max) of hand and/or object within sensor appears permanent, waterflow will stop and will remeasure environment	On	—

Please contact factory for more extensive programming options.

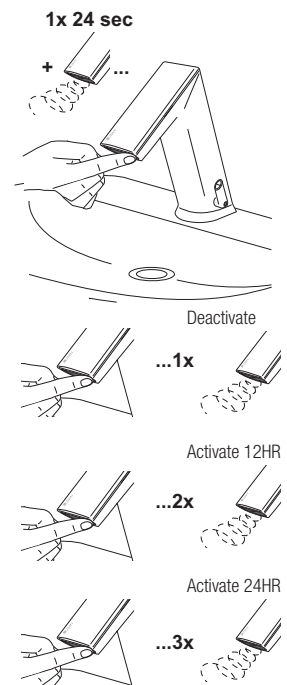
## 12/24 LINE PURGE FEATURE

This feature will operate the faucet every 12 or 24 hours since last use, if not used to prevent stagnant water conditions.

Default purge duration is two minutes.

Consult factory regarding other timing options.

IR activation (see above). Cover IR clic approximately 24 sec. (ignore LED indications during this period). Release when requested program is reached. (See diagram to right). Programming mode will time out after 2 minutes if no changes are made.

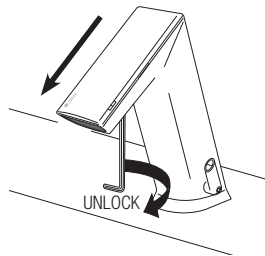


# BASYS® Faucet Infrared Sensor Activated

## UPGRADE FAUCET FUNCTIONALITY

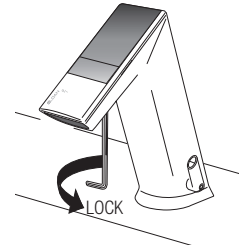
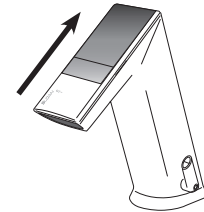
Remove crown by loosening hex screw located on underside of spout and slide crown down and lift off.

**NOTE: Screw is captive within faucet body and will not fall out.**

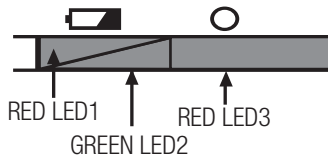


Place new crown on faucet by sliding onto spout and tightening hex screw on underside of spout.

**NOTE: All electronics are fully encapsulated in the crown and thus protected from the environment and easy to replace or upgrade.**



## LED DISPLAY DIAGNOSTIC CODES



**RED** **GREEN** COLOR LEDs BLINKING

**RED** **GREEN** COLOR LEDs ON

Function	LED1	LED2	LED3	Description 1	Description 2
Start Up Boot	<b>RED</b>	<b>GREEN</b>		LED1 and LED2 alternate blinking	Fast Toggle
Battery Check after Start Up	<b>RED</b>			LED1 on for 2 sec, if battery greater than 3.5V	
Line Power Check after Start Up			<b>RED</b>	LED3 on for 2 sec, if line power greater than 3.5V	
IR Adjust Process	<b>RED</b>			LED1 blinking while IR adjusts	Few seconds
IR Adjust IR		<b>GREEN</b>		LED2 on for 2 sec, if adjustment OK	
Battery Low	<b>RED</b>			LED1 blinks 3x, if battery is less than warning level	Only while in detection mode
Battery Empty	<b>RED</b>			LED1 double flashes 3x, if battery is less than empty level	Only while in detection mode
Valve Error			<b>RED</b>	LED3 double flashes 3x, if valve current error; flash after the 3rd error, off after the 3rd good operation	Flashes after the 3rd error, off after the 3rd good operation
IR Activation		<b>GREEN</b>		LED2 on for 2 sec, if IR-clic has been activated	After 5 sec. automatically back to operating mode
Cleaning Mode	<b>RED</b>			LED1 4-in-1 flash, if cleaning mode is activated	During "Cleaning Mode" is activated Permanent 4-in-1 flashes





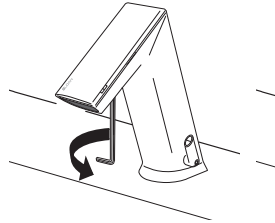
## BASYS® Faucet Infrared Sensor Activated

### REPLACING THE SOLENOID STRAINER (FILTER)

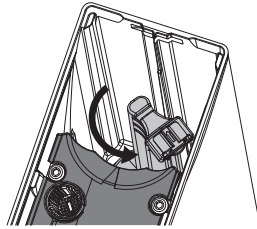
NOTE: Turning off water is not necessary, due to integrated automatic stop valve.

Remove crown by loosening hex screw located on underside of spout and slide crown down and lift off.

**NOTE: Screw is captive within faucet body and will not fall out.**

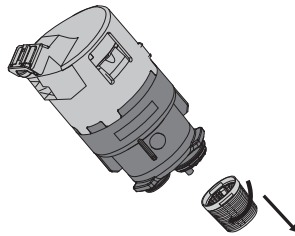


Rotate solenoid assembly counter-clockwise through a 45° angle.



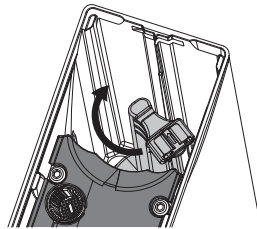
Pull solenoid caddy from faucet.

**NOTE: Strainer can be removed, cleaned and replaced at this time.**

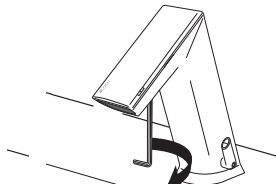


Insert new solenoid caddy at a 45° angle.

Rotate solenoid caddy clockwise to align with arrow, locking the unit and opening water path.



Slide on crown and secure.

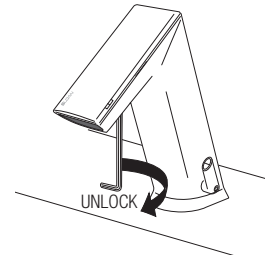


### REPLACE SPRAY INSERT

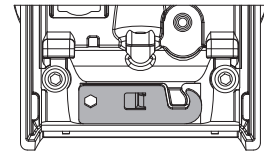
NOTE: Turning off water is not necessary, due to integrated automatic stop valve.

Remove crown by loosening hex screw located on underside of spout and slide crown down and lift off.

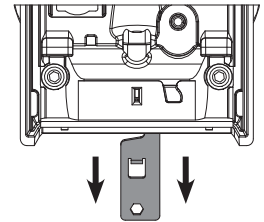
**NOTE: Screw is captive within faucet body and will not fall out.**



Retrieve spray removal tool located near the spray insert.

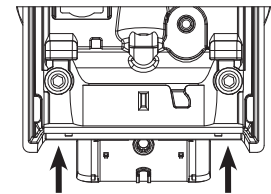


Insert spray removal tool into spray slot by sliding hook end of key between faucet spout and insert. Pull insert out of faucet once hooked.



Install new insert.

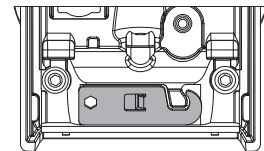
**NOTE: If changing to a different flow rate solenoid caddy must be changed in conjunction.**



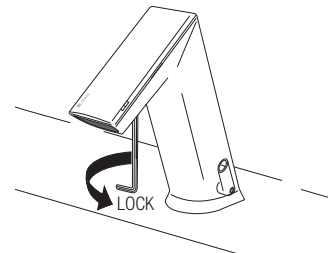
Return spray removal tool to storage location.

**NOTE: This can only be done once spray head is installed. This will lock the spray head in place.**

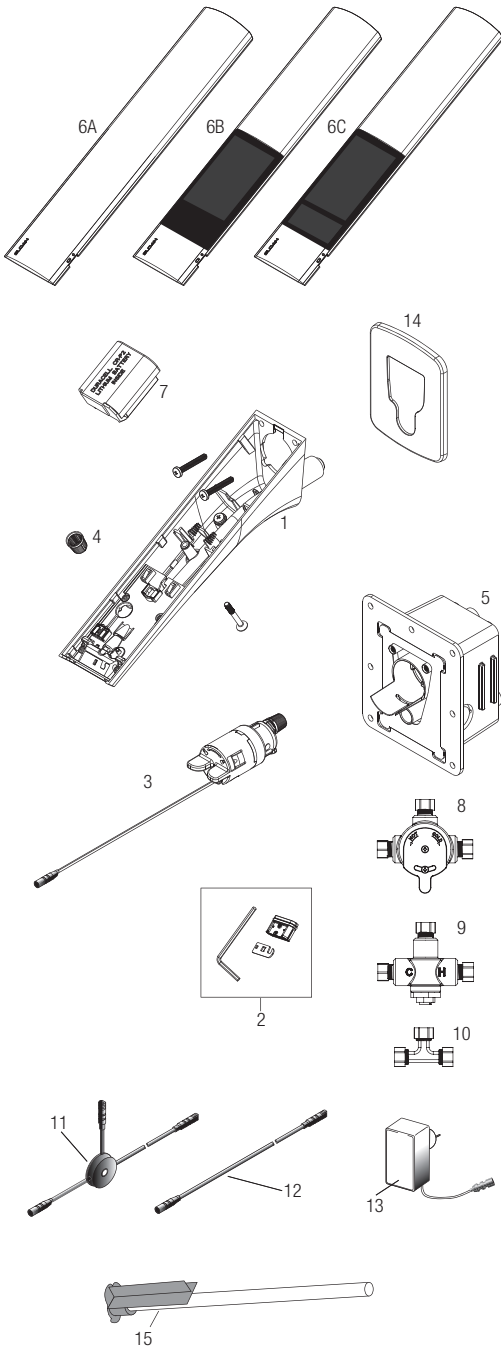
**NOTE: If spray head is inserted incorrectly – key will not lock in properly. Turn faucet on to push insert out and re-install.**



Slide on crown and secure.



# BASYS® Faucet Infrared Sensor Activated



### PARTS LIST—BASYS FAUCETS

Item No.	Code No.	Part No.	Description
1.	—	—	Wall Mount Faucet Assembly
2.	<b>3324104</b>	EFX-1002-A	0.5 gpm/1.9 Lpm Multi-Lam Spray Head (includes insert, o-ring, 2.5 mm allen key, and removal tool)
	<b>3324103</b>	EFX-1001-A	1.5 gpm/5.7 Lpm Aerated Stream Insert (includes insert, o-ring, 2.5 mm allen key, and removal tool)
	<b>3324102</b>	EFX-1000-A	1.5 gpm/5.7 Lpm Laminar Stream Insert (includes insert, o-ring, 2.5 mm allen key, and removal tool)
3.	<b>3324162</b>	EFX-1011-A	0.5 gpm/1.9 Lpm Solenoid Valve Caddy Assembly – Wall (Green) ‡
	<b>3324163</b>	EFX-1012-A	1.5 gpm/5.7 Lpm Solenoid Valve Caddy Assembly – Wall (Blue) ‡
4.	<b>0324019</b>	EFX-19	Strainer (Filter)
5.	—	EFX-1013-A	Mounting Assembly
6A.	<b>3324160</b>	EFX-1009-A	Bowed Crown Assembly
6B.	<b>3324138</b>	EFX-1010-A	Solar Crown Assembly
6C.	<b>3324139</b>	EFX-1018-A	Solar Crown with LCD Assembly
7.	—	—	CR-P2 Lithium Battery
8.	<b>3326009</b>	MIX-60-A	Mechanical, Below Deck Mixing Valve
9.	<b>0326045</b>	MIX-135-A	Thermostatic, Below Deck Mixing Valve
10.	<b>3365461</b>	ETF-617-A	Bak-Chek Tee Assembly
11.	<b>0335023</b>	EAF-23-A	Splitter
12.	<b>0335024</b>	EAF-24-A	11-13/16" (300 mm) Extension Cable
	<b>0335025</b>	EAF-25-A	47-1/4" (1200 mm) Extension Cable
	<b>0335015</b>	EAF-17-A	126" (3200 mm) Extension Cable
13.	<b>0335009</b>	EAF-11	Plug-in Voltage Adapter (US)
	<b>0335041</b>	EAF-41	Plug-in Voltage Adapter (EU)
	<b>0335039</b>	EAF-39	Plug-in Voltage Adapter (UK)
	<b>0335037</b>	EAF-37	Box Type Voltage Adapter
14.	<b>3324165</b>	EFX-1014-A	Wall Flange
15.	—	—	Purge Tool

NOTE: If changing flow rate caddy and spray insert must be changed in conjunction.

† Single Supply faucets include Bak-Chek®

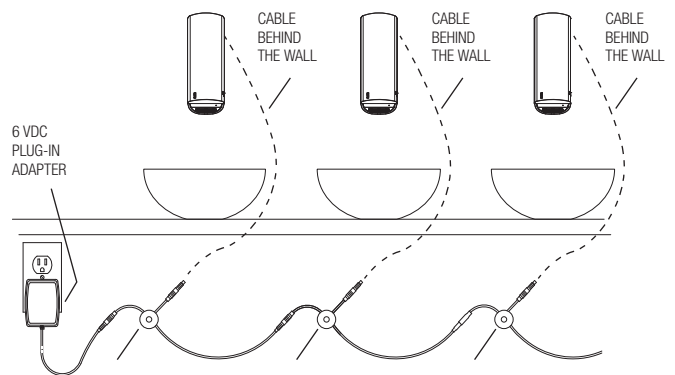
— in Item No. column = Not shown in illustration

— in Code No. and Part No. column = Not sold separately

‡ Old style / T-shaped contact.

New style / Plug contact

### Electrical Connection for up to Six (6) Faucets Using One (1) Adapter



## BASYS® Faucet Infrared Sensor Activated

### TROUBLESHOOTING GUIDE

#### 1. Red LED in spout does not blink 2 seconds after battery installation.

- A. Battery placement incorrect or batteries have been discharged.
- B. Ensure batteries are installed properly. Check the orientation of each battery matches the positive (+) and negative (-) symbols shown on the battery compartment.

#### 2. Faucet DOES NOT function.

- A. Adhesive packaging label affixed over sensor eye.
- B. Remove adhesive label from sensor eye.

#### 3. Faucet delivers water in an uncontrolled manner.

- A. Clean sensor window; if problem persists contact Sloan Tech Support.

#### 4. Faucet DOES NOT deliver any water when sensor is activated.

INDICATOR: Solenoid valve produces an audible "CLICK".

- A. Water supply stop(s) closed.  
Open water supply stop(s).
- B. Strainer is clogged.  
Remove, clean, and reinstall strainer. Replace strainer, if needed (refer to page 153).

#### 5. Solenoid valve DOES NOT produce an audible "CLICK".

- A. Batteries low (battery powered models).  
Replace batteries.
- B. Power failure (hardwire models). Check power supply.

#### 6. Faucet delivers only a slow flow or dribble when sensor is activated.

- A. Water supply stop(s) are partially closed. Completely open water supply stop(s).

#### 7. Faucet DOES NOT stop delivering water or continues to drip after user is no longer detected.

- A. Faucet is not working properly.
- B. Clean sensor window; if problem persists contact Sloan Tech Support (see below).

#### 8. LED indicator blinks RED when faucet is in use.

- A. Batteries low (battery powered models).
- B. Replace batteries (refer to battery replacement on page 163).

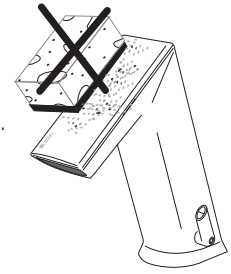
#### 9. The water temperature is too hot or too cold on a faucet connected to hot and cold water supply lines.

- A. Supply stops are not adjusted properly. Adjust supply stops.
- B. For models with integral side mixing valve—Mixing valve is set improperly for the water temperature desired. Rotate mixing valve handle clockwise to decrease water temperature or counterclockwise to increase water temperature.
- C. Inadequate hot water supply. Adjust supply stops.

### CARE AND CLEANING

**DO NOT USE** abrasive or chemical cleaners (including chlorine bleach) to clean faucets that may dull the luster and attack the chrome or special decorative finishes. Use **ONLY** mild soap and water, then wipe dry with clean cloth or towel.

While cleaning the bathroom sink, protect the faucet from any splattering of cleaner. Acids and cleaning fluids will discolor or remove chrome plating.



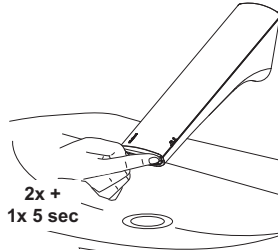
**When assistance is required, please contact Sloan Technical Support at: 1-888-SLOAN-14 (1-888-756-2614).**

## BASYS® Faucet Infrared Sensor Activated

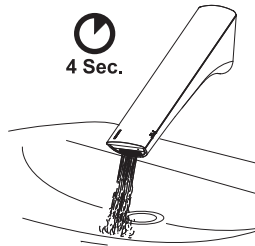
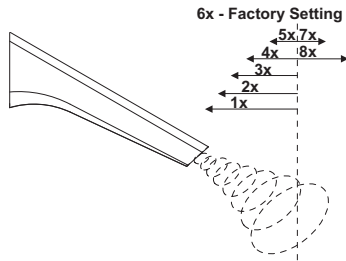
### SENSOR RANGE ADJUSTMENT

**Factory setting is appropriate for the majority of applications and should not require resetting unless under extreme situations: high reflection or low light.**

IR Activation (see previous page). To enter programming mode place finger on IR clic 2 times then remove. Light on side of crown should blink to indicate programming mode.



Cover IR clic until LED flashes RED 4 times - hold IR clic on until LED flashes 1 time to 8 times from minimum to maximum range. See diagram below. Release when requested range is reached.



Wait, until LED flashes GREEN.



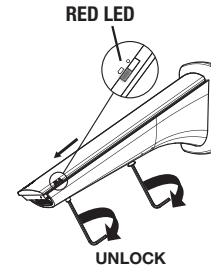
### BATTERY REPLACEMENT

**NOTE: Replace battery when LED1 indicator flashes RED each time faucet is in use or when faucet stops functioning. LED1 is identified by the battery symbol.**

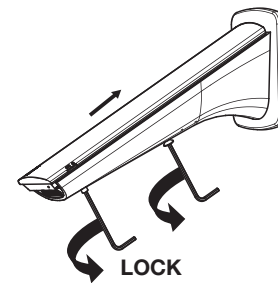
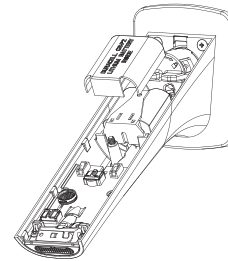
**NOTE: Turning off water is not necessary.**

Remove crown by loosening 2 hex screws located on underside of spout and slide crown down and lift off.

**NOTE: Screw is captive within faucet body and will NOT fall out.**



Remove red cover over the battery. Remove battery holder from the faucet body. Replace battery in the holder. Holder drops into the faucet body. Place the red cover over the battery.

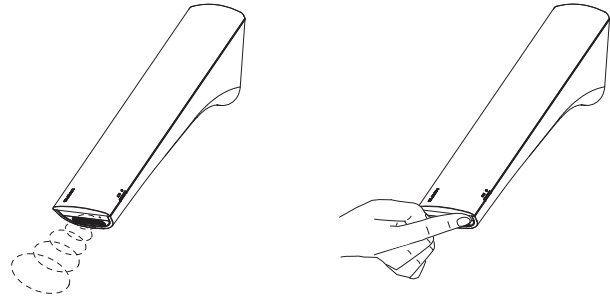
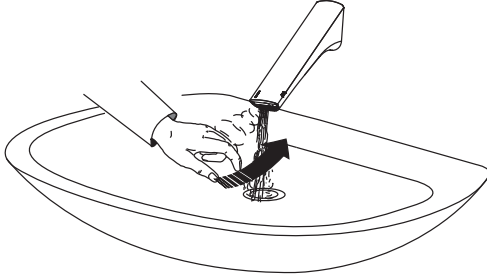


Slide on crown and secure in 2 places.

# BASYS® Faucet Infrared Sensor Activated

## OPERATION

As the user's hands enter the beam's effective range, the beam is reflected back into the sensor receiver and activates the solenoid valve allowing water to flow from the faucet. Water will flow until the hands are removed or until the faucet reaches its automatic time out limit setting.



Function	Steps to Activate Function	Default Setting	IR Clic
<b>IR Activation</b>	Cover IR clic approximately for 2 sec. until LED will flash GREEN 1x - then remove finger from IR clic (Active for 5 sec.)	—	—
<b>Cleaning Mode</b>	IR activation; Cover IR clic 2x - confirmation of the function is active by a couple flashes by the LED; to return to normal operation cover IR clic 1x or the faucet will automatically return to normal function after 2 min.	2 min.	—
<b>12/24 Line Purge Feature</b>	See below.	Off	Off 12HR 24HR
<b>Sensor Range Adjustment</b>	See next page.	6	1-8
<b>Reset Electronics</b>	IR activation; Cover IR clic 2x; LED will flash 5x Cover IR clic 1x for 5 sec. until LED flashes 4x, then remove finger from IR clic Wait for 20 sec. (After 10 sec. water will flow for 6 sec. and automatically adjust to environment)	Manually	—
<b>Security Off</b>	After 90 seconds (max) of hand and/or object within sensor appears permanent, waterflow will stop and will remeasure environment	On	—

Please contact factory for more extensive programming options.

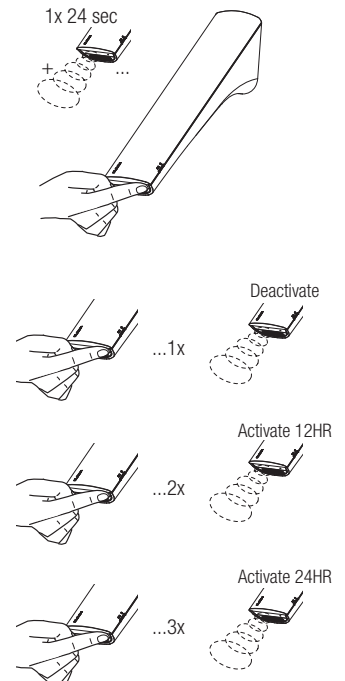
## 12/24 LINE PURGE FEATURE

This feature will operate the faucet every 12 or 24 hours since last use, if not used to prevent stagnant water conditions.

Default purge duration is two minutes.

Consult factory regarding other timing options.

IR activation (see above). Cover IR clic approximately 24 sec. (ignore LED indications during this period). Release when requested program is reached. (See diagram to right). Programming mode will time out after 2 minutes if no changes are made.



## BASYS® Faucet Infrared Sensor Activated

### UPGRADE FAUCET FUNCTIONALITY

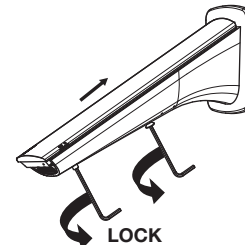
Remove crown by loosening hex screw located on underside of spout and slide crown down and lift off.

**NOTE: Screw is captive within faucet body and will NOT fall out.**

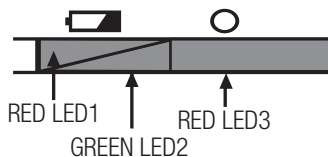


Place new crown on faucet by sliding onto spout and tightening hex screw on underside of spout.

**NOTE: All electronics are fully encapsulated in the crown and thus protected from the environment and easy to replace or upgrade.**



### LED DISPLAY DIAGNOSTIC CODES



**RED** **GREEN** COLOR LEDs BLINKING

**RED** **GREEN** COLOR LEDs ON

Function	LED1	LED2	LED3	Description 1	Description 2
Start Up Boot	<b>RED</b> <b>GREEN</b>			LED1 and LED2 alternate blinking	Fast Toggle
Battery Check after Start Up	<b>RED</b>			LED1 on for 2 sec, if battery greater than 3.5V	
Line Power Check after Start Up			<b>RED</b>	LED3 on for 2 sec, if line power greater than 3.5V	
IR Adjust Process	<b>RED</b>			LED1 blinking while IR adjusts	Few seconds
IR Adjust IR		<b>GREEN</b>		LED2 on for 2 sec, if adjustment OK	
Battery Low	<b>RED</b>			LED1 blinks 3x, if battery is less than warning level	Only while in detection mode
Battery Empty	<b>RED</b>			LED1 double flashes 3x, if battery is less than empty level	Only while in detection mode
Valve Error			<b>RED</b>	LED3 double flashes 3x, if valve current error; flash after the 3rd error, off after the 3rd good operation	Flashes after the 3rd error, off after the 3rd good operation
IR Activation		<b>GREEN</b>		LED2 on for 2 sec, if IR-clic has been activated	After 5 sec. automatically back to operating mode
Cleaning Mode	<b>RED</b>			LED1 4-in-1 flash, if cleaning mode is activated	During "Cleaning Mode" is activated Permanent 4-in-1 flashes





## BASYS® Faucet Infrared Sensor Activated

### REPLACING THE SOLENOID STRAINER (FILTER)

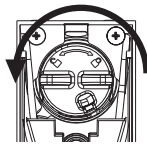
NOTE: Turning off water is not necessary, due to integrated automatic stop valve.

Remove crown by loosening hex screw located on underside of spout and slide crown down and lift off.

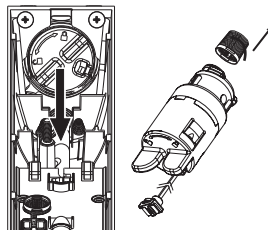
**NOTE: Screw is captive within faucet body and will NOT fall out.**



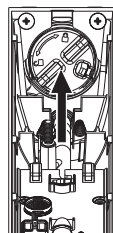
Rotate solenoid assembly counter-clockwise through a 45° angle.



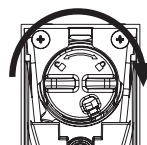
Pull solenoid caddy from faucet.  
NOTE: Strainer can be removed, cleaned, and replaced at this time.



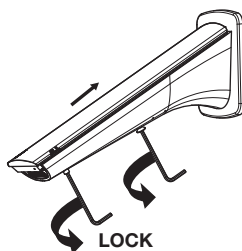
Insert new solenoid caddy at a 45° angle.



Rotate solenoid caddy clockwise to align with arrow, locking the unit and opening water path.



Slide on crown and secure in 2 places.



### REPLACE SPRAY INSERT

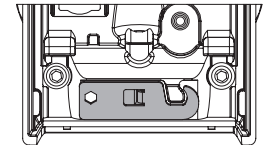
NOTE: Turning off water is not necessary, due to integrated automatic stop valve.

Remove crown by loosening hex screw located on underside of spout and slide crown down and lift off.

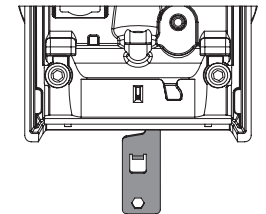
**NOTE: Screw is captive within faucet body and will NOT fall out.**



Retrieve spray removal tool located near the spray insert.

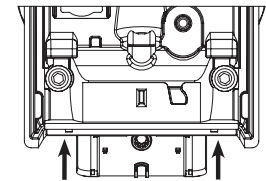


Insert spray removal tool into spray slot by sliding hook end of key between faucet spout and insert. Pull insert out of faucet once hooked.



Install new insert.

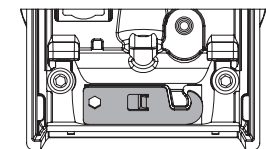
NOTE: If changing to a different flow rate, solenoid caddy must be changed in conjunction.



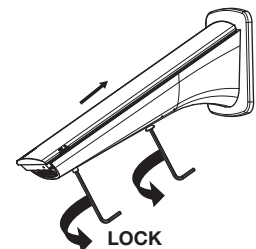
Return spray removal tool to storage location.

NOTE: This can only be done once spray head is installed. This will lock the spray head in place.

NOTE: If spray head is inserted incorrectly, key will not lock in properly. Turn faucet on to push insert out and re-install.

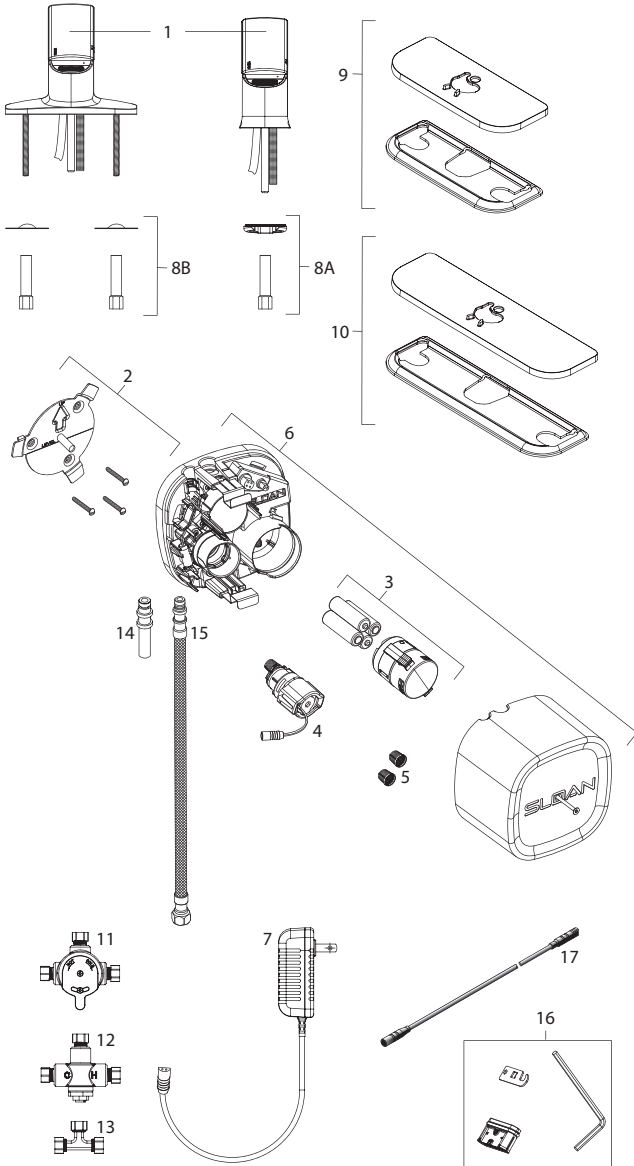


Slide on crown and secure.



# BASYS® Faucet

## Capacitance Sensing Activated



**PARTS LIST—BASYS FAUCETS**

Item No.	Code No.	Part No.	Description
1.	<b>3324112</b>	EFX-2-A	Standard Crown (Capacitance)
2.	<b>0324036</b>	EFX-36	Control Module Mounting Kit
3.	<b>3324113</b>	EFX-8	Battery Pack
4.	<b>3324114</b>	EFX-13-A	Solenoid Valve Caddy 0.5 gpm (1.9 Lpm)
	<b>3324115</b>	EFX-14-A	Solenoid Valve Caddy 1.5 gpm (5.7 Lpm)
5.	<b>0324019</b>	EFX-19	Filter / Strainers
6.	<b>3324105</b>	EFX-1003-A	Control Module Assembly – 0.5 gpm (1.9 Lpm)
	<b>3324106</b>	EFX-1004-A	Control Module Assembly with Turbine – 0.5 gpm (1.9 Lpm)
	<b>3324107</b>	EFX-1005-A	Control Module Assembly – 1.5 gpm (5.7 Lpm)
	<b>3324108</b>	EFX-1006-A	Control Module Assembly with Turbine – 1.5 gpm (5.7 Lpm)
7.	<b>0324031</b>	EFX-31	120 VAC/6.75 VDC Plug-in Voltage Adapter
8A.	<b>0335000</b>	EAF-1	Faucet Spout Mounting Kit (Pedestal)
8B.	<b>0324021</b>	EFX-21-A	Faucet Spout Mounting Kit (Integrated Base)
9.	<b>3324100</b>	EFX-20-A	4-inch (102 mm) Centerset Base Plate Kit
10.	<b>3324101</b>	EFX-26-A	8-inch (203 mm) Centerset Base Plate Kit
11.	<b>3326009</b>	MIX-60-A	Below Deck Mechanical Mixing Valve
12.	<b>0326045</b>	MIX-135-A	Below Deck Thermostatic Mixing Valve
13.	<b>0324033</b>	ETF-617-A	Bak-Chek® Tee
14.	<b>0324034</b>	EFX-33	Inlet Hose Fitting
15.	<b>3324102</b>	EFX-34	Flexible Supply Hose 18" (45 mm)
16.	<b>3324104</b>	EFX-1002-A	0.5 gpm (1.9 Lpm) Multi-Lam Spray Insert, includes: insert, o-ring, insert removal tool, and hex key
	<b>3324103</b>	EFX-1001-A	1.5 gpm (5.7 Lpm) Aerated Stream Insert includes: insert, o-ring, insert removal tool, and hex key
	<b>3324102</b>	EFX-1000-A	1.5 gpm (5.7 Lpm) Laminar Stream Insert includes: insert, o-ring, insert removal tool, and hex key
17.	<b>0335024</b>	EAF-24-A	11-13/16" (300 mm) Extension Cable
	<b>0335025</b>	EFX-25-A	47-1/4" (1200 mm) Extension Cable
	<b>0335015</b>	EFX-17-A	126" (3200 mm) Extension Cable

NOTE: If changing flow rate, caddy and spray insert must be changed in conjunction.  
 Manufactured by Sloan Valve Company under one or more of the following U.S. Patents: 7,690,623; 7,069,941; 6,619,320.  
 — in Item No. column = Not shown in illustration  
 — in Code No. and Part No. column = Not sold separately

**IMPORTANT**  
 Not for installation on a metal sink or deck (i.e. stainless steel or cast metal).

## BASYS® Faucet

### Capacitance Sensing Activated

#### TROUBLESHOOTING GUIDE

##### 1. RED LED in spout DOES NOT blink 2 seconds after battery installation.

- A. Battery placement incorrect or batteries have been discharged. Ensure batteries are installed properly. Check the orientation of each battery matches the positive (+) and negative (–) symbols shown on the battery compartment.

##### 2. Faucet DOES NOT function.

- A. Adhesive packaging label affixed over sensor eye. Remove adhesive label from sensor eye.

##### 3. Faucet delivers water in an uncontrolled manner.

- A. Clean sensor window; if problem persists, contact Sloan Technical Support).

##### 4. Faucet DOES NOT deliver any water when sensor is activated.

INDICATOR: Solenoid valve produces an audible “CLICK”.

- A. Water supply stop(s) closed.  
Open water supply stop(s).
- B. Strainer is clogged.  
Remove, clean, and reinstall strainer. Replace strainer (filter), if needed (refer to page 166).

INDICATOR: Solenoid valve DOES NOT produce an audible “CLICK”.

- A. Batteries low (battery-powered models).  
Replace batteries (refer to battery replacement on page 163).
- B. Power failure (hardwire models).  
Check power supply.

##### 5. Faucet delivers only a slow flow or dribble when sensor is activated.

- A. Water supply stop(s) are partially closed.  
Completely open water supply stop(s).

##### 6. Faucet DOES NOT stop delivering water or continues to drip after user is no longer detected.

- A. Clean sensor window; if problem persists, contact Sloan Technical Support.

##### 7. LED indicator blinks RED when faucet is in use.

- A. Batteries low (battery-powered models).  
Replace batteries (refer to battery replacement on page 166).

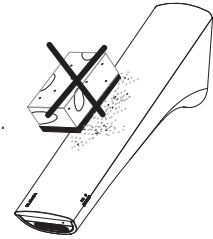
##### 8. The water temperature is too hot or too cold on a faucet connected to hot and cold water supply lines.

- A. Supply stops are not adjusted properly.  
Adjust supply stops.
- B. For models with integral side mixing valve—mixing valve is set improperly for the water temperature desired.  
Rotate mixing valve handle clockwise to decrease water temperature or counterclockwise to increase water temperature.
- C. Inadequate hot water supply.  
Adjust supply stops.

#### CARE AND CLEANING

**DO NOT USE** abrasive or chemical cleaners (including chlorine bleach) to clean faucets that may dull the luster and attack the chrome or special decorative finishes. Use **ONLY** mild soap and water, then wipe dry with clean cloth or towel.

While cleaning the bathroom sink, protect the faucet from any splattering of cleaner. Acids and cleaning fluids will discolor or remove chrome plating.

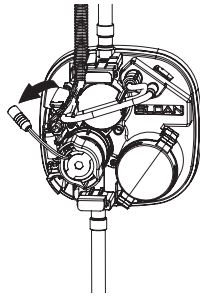


**When assistance is required, please contact Sloan Technical Support at: 1-888-SLOAN-14 (1-888-756-2614).**

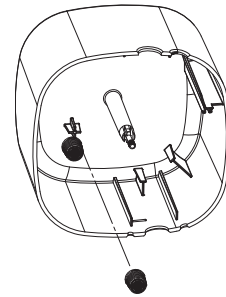
## BASYS® Faucet Capacitance Sensing Activated

### REPLACE FILTER

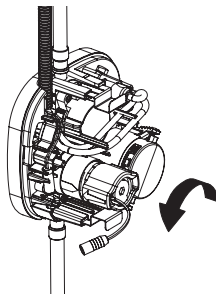
Disconnect solenoid wire from control module.



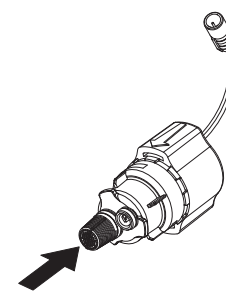
Remove new filter from control module cover.



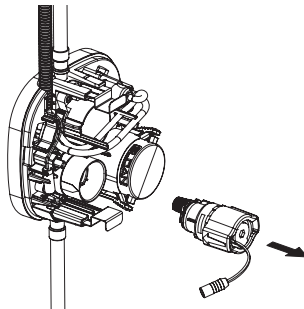
Turn solenoid caddy counterclockwise, lining up arrows on control module and solenoid caddy assembly.



Snap new filter onto solenoid caddy assembly.

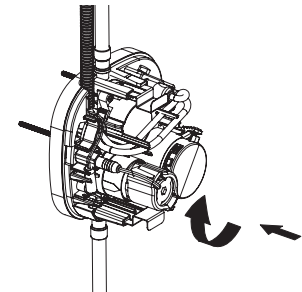


Remove solenoid caddy assembly from control module by pulling straight out.

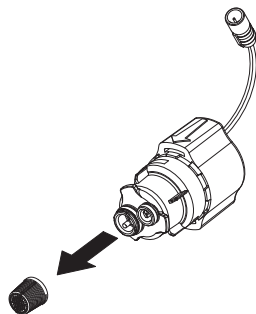


Insert solenoid caddy assembly into control module lining up arrows. Turn solenoid caddy assembly clockwise 45°.

Reconnect solenoid caddy wire to control module.



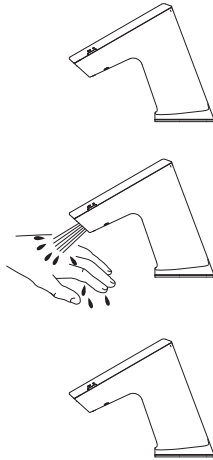
Remove filter from solenoid caddy assembly.



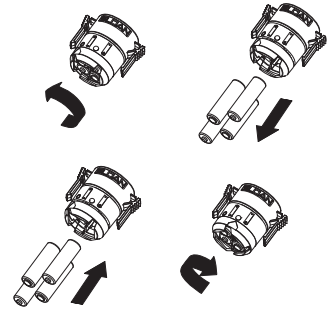
## BASYS® Faucet Capacitance Sensing Activated

### OPERATION OF FAUCET

A continuous ambient field is emitted and monitored by the faucet system. As the user's hands enter the effective range, the sensor activates the solenoid valve allowing tempered water to flow from the faucet. Water will flow until the hands are removed or until the faucet reaches its automatic time out setting. When hands are moved away from the faucet, the capacitance sensor deactivates the solenoid valve, shutting off the water flow. The system automatically resets and is ready for the next user.



Twist top of battery pack counter-clockwise to open. Remove batteries and replace batteries with four (4) new "AA" batteries. Twist top of battery pack clockwise to close.



Replace cover.

### BATTERY REPLACEMENT

**NOTE: REPLACE BATTERY WHEN RED BATTERY INDICATOR LED FLASHES 4 TIMES EACH TIME FAUCET IS IN USE OR WHEN FAUCET STOPS FUNCTIONING.**

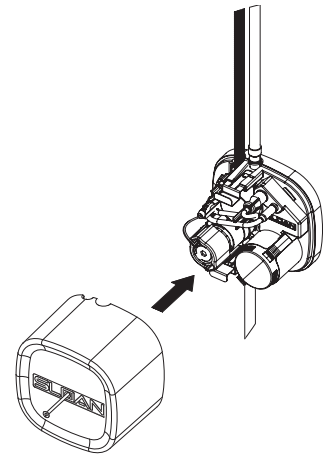
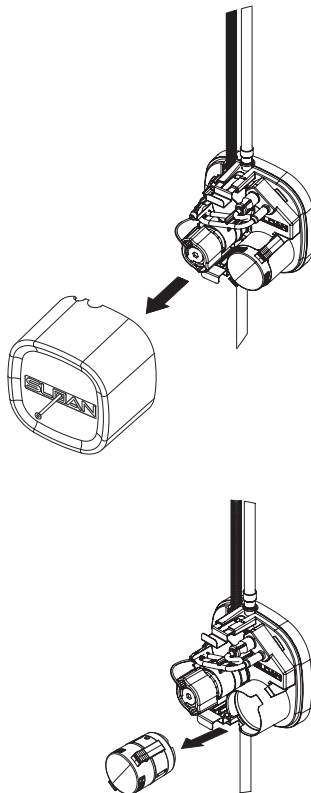
No need to turn off water.

Loosen screw with hex wrench and remove cover.

**NOTE: IT IS POSSIBLE FOR THE FAUCET TO ACTIVATE WHEN THE CAP WIRE OR SOLENOID IS TOUCHED OR WHEN THE CONTROL MODULE COVER IS BEING SCREWED ONTO THE MANIFOLD.**

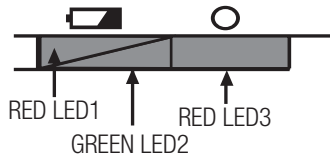
Slide cover forward and lift off.

Remove battery case.



## BASYS® Faucet Capacitance Sensing Activated

### LED DISPLAY DIAGNOSTIC CODES



**NOTE: LED1 and LED2 are for battery and programming related items. LED3 is for solenoid service.**

Function	LED1	LED2	LED3	Notes
<b>Power Up Success (Battery Only Models)</b>		Blinks 5x		Blinks 1 every second (5 seconds); for battery power
<b>Power Up Success (Adapter Models)</b>	Blinks 3-5x	Blinks 3-5x		Blinks 1 every second (5 seconds); for adapter power
<b>Low Battery</b>	Blinks 4x			Battery power is low; During hand detection
<b>Clean Mode</b>		Blinks		Once every 2 seconds; Touch faucet body more than 8 seconds, water hold for 2 minutes
<b>Water Hold</b>		Blinks		Once every 1 second; If water turns on/off 5 times in 20 seconds, faucet turns off for 1 minute
<b>Solenoid Latch Failure</b>			Blinks	Two LED blinks; After hand removed from detection zone
<b>Cap Sensor Fails to Calibrate</b>		Blinks		4 times per second; Before first water burst detection for cable is not installed correctly
<b>Ambient Electrical Noise Too High</b>		Blinks		4 times per seconds; After first water burst

### TROUBLESHOOTING GUIDE

#### 1. Faucet DOES NOT function.

- A. Batteries not installed.  
Install batteries.
- B. Capacitance cable not connected.  
Connect cable.

#### 2. Faucet delivers water in an uncontrolled manner.

- A. Contact Sloan Technical Support.

#### 3. Faucet DOES NOT deliver any water when sensor is activated. Solenoid valve produces an audible “CLICK.”

- A. Water supply stop(s) closed.  
Open water supply stop(s).
- B. Water supply stop strainer(s) clogged.  
Remove, clean, and reinstall water supply stop strainer(s). Replace strainer(s), if required.

#### Solenoid valve DOES NOT produce an audible “CLICK.”

- A. Battery low (battery powered models).  
Replace battery (refer to Battery Replacement section of guide).
- B. Power failure.  
Check power supply.

#### 4. Faucet DOES NOT stop delivering water or continues to drip after user is no longer detected.

- A. Contact Sloan Technical Support.

#### 5. Faucet delivers only a slow flow or dribble when sensor is activated.

- A. Water supply stop(s) are partially closed.  
Completely open water supply stop(s).
- B. Water supply stop strainer(s) clogged.  
Remove, clean, and reinstall water supply stop strainer(s). Replace strainer(s), if required.
- C. Spray head is clogged.  
Remove, clean, and reinstall spray head. Replace spray head, if required.
- D. Contact Sloan Technical Support.

#### 6. LED indicator blinks when faucet is in use.

- A. Battery low (battery powered models).  
Replace battery (refer to Battery Replacement section of guide).

#### 7. The water temperature is too hot or too cold on a faucet connected to hot and cold supply lines.

- A. Supply stops are not adjusted properly.  
Adjust supply stops.

### CARE AND CLEANING

**DO NOT USE** abrasive or chemical cleaners (including chlorine bleach) to clean faucets that may dull the luster and attack the chrome or special decorative finishes. Use **ONLY** mild soap and water, then wipe dry with clean cloth or towel. While cleaning the bathroom sink, protect the faucet from any splattering of cleaner. Acids and cleaning fluids will discolor or remove chrome plating.

**When assistance is required, please contact Sloan Technical Support at: 1-888-SLOAN-14 (1-888-756-2614).**



## Optima® EBF-85/EBF-187/ETF-80/ETF-880 Faucets Parts & Accessories



**EBF-85** Deck mount, battery



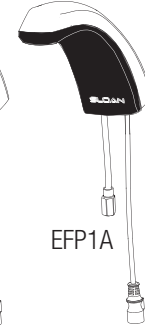
**EBF-187** Deck mount, battery

**ETF-80** Deck mount, hardwired **ETF-880** Deck mount, hardwired

EFP61A (BLACK)  
EFP62A (METAL)

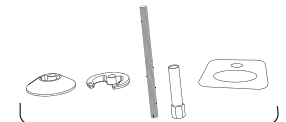


EFP4A



EFP1A

ETF1038A  
ETF1021A  
ETF1041A  
ETF1028A  
ETF1022A



EFP37A

### SPOUT ASSEMBLY

Description	Code No.	Part No.
Spout Assembly EBF-85/ETF-80	0367001	EFP1A
Spout Assembly EBF187/ETF-880	0367004	EFP4A
Sensor & Cable Assembly-EBF-85/ETF-80	0367061	EFP61A
Sensor & Cable Assembly-EBF-187/ETF-880	0367062	EFP62A
Sensor Mounting Kit	0367037	EFP37A

### SPRAYHEAD OPTIONS

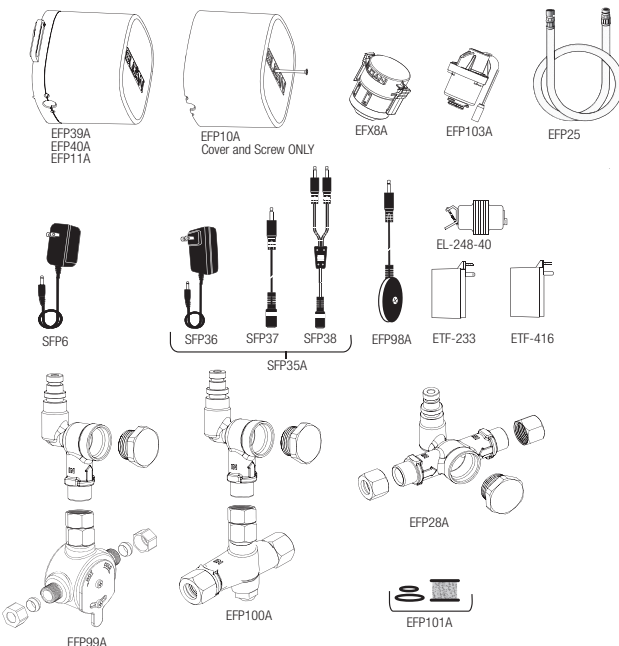
Description	Type	Code No.	Part No.
0.35 GPM/1.3 Lpm	MLM	3365755	ETF1038A
0.5 GPM/1.9 Lpm	MLM	3365091	ETF1021A
1.0 GPM/3.8 Lpm	MLM	3365557	ETF1041A
1.5 GPM/5.7 Lpm	LAM	3365161	ETF1028A
2.2 GPM/8.3 Lpm	LAM	3365160	ETF1027A
2.2 GPM/8.3 Lpm	AER	3365090	ETF1022A

### TRIMPLATE OPTIONS

Description	Code No.	Part No.
4"	3365468	ETF312A
8"	3365024	ETF510A
4" Centerset (ETF-80/EBF-85)	3365466	ETF662A
4" Centerset (EBF-187/ETF-880)	3365603	ETF433A

### BELOW DECK ASSEMBLIES

Description	Code No.	Part No.
Control Box No Turbine	0367039	EFP39A
Control Box Turbine 0.5 gpm	0367040	EFP40A
Control Box Turbine 1.5 gpm	0367011	EFP11A
Quick Connect Spout Hose 24"	0367025	EFP25
Control Box Cover w/Screw	0367010	EFP10A
Solenoid Assembly	0367103	EFP103A
Battery Pack	3324113	EFX8A
Double Inlet Tee Filter Assembly	0367028	EFP28A
BDM & Single Inlet Tee Filter Assembly Kit	0367099	EFP99A
BDT & Single Inlet Tee Filter Assembly Kit	0367100	EFP100A
Replacement Filter Pack-(5) Filter (5) Large O-rings (5) Small O-rings	0367101	EFP101A
24 VAC Power Harness Assembly	0367098	EFP98A
110V/6 VDC Power Supply	0362006	SFP6
100-240 VAC/6 VDC Power Supply	0362016	SFP36
120/24 VAC Power Supply	0365534PK	ETF-233
120/24 VAC Power Supply (Canada) Plug-in	0365879	ETF-416
120/24 VAC Power Supply (Box Mount)	0345370PK	EL-248-40
Extension Cable	0362017	SFP37
Splitter Cable	0362018	SFP38
Gang Adapter Kit	0362035	SFP35A
Faucet to Module Ext. Cable*	0367113	EFP-113-A



NOTE: Some parts and accessories must be ordered separately  
\* Not shown

## Optima® EBF-85/EBF-187/ETF-80/ETF-880 Faucets Parts & Accessories

### TROUBLESHOOTING INSTRUCTIONS FOR OPTIMA SENSOR ACTIVATED LAVATORY FAUCETS WITH THE NEW OPTIMA CONTROL BOXES AND THE SLOAN CONNECT SMARTPHONE APP.

**NOTE:** To automatically check battery strength, troubleshoot, diagnose and report faucet issues with a wireless device, use the Sloan SmartPhone APP. The APP is available free-of-charge at the Apple iPhone APP store for iOS devices or the Google Play APP store for Android devices. For more information about the APP and its capabilities please visit [www.Sloan.com](http://www.Sloan.com).

#### FAUCET TROUBLESHOOTING GUIDE

##### LED indicator light in the IR (infrared) sensor is red.

- A. Battery power is low.  
Install four (4) new AA sized alkaline batteries. Check that the orientation of each battery matches the positive (+) and negative (-) symbols shown in the bottom of the battery compartment.  
Re-attach battery compartment to control module. Green LED will illuminate. If the Green LED does not illuminate, remove battery compartment for 10 seconds and return into place.

##### Faucet DOES NOT function.

- A. Batteries not installed or are exhausted.  
Install four (4) AA sized alkaline batteries. Check that the orientation of each battery matches the positive (+) and negative (-) symbols shown in the bottom of the battery compartment. Reattach battery compartment to control module. Green LED will illuminate. If the Green LED does not illuminate, remove battery compartment for 10 seconds and return into place.
- B. Power Cable not installed (Hardwire models).  
Install power cable and check connection.
- C. Sensor Cable not installed.  
Install sensor cable and check connection. Confirm connection guide markings are aligned.
- D. Sensor range is set too short and is not detecting the target.  
Increase sensor detection range.

##### Sensor is activated but faucet DOES NOT deliver water.

- A. Faucet has initiated its adaptive sensing calibration program.  
Wait 60 seconds before activating faucet.
- B. Solenoid Cable not connected.  
Check solenoid cable connection. Confirm connection guide markings are aligned.

##### Sensor Range Requires Manual Adjustment.

Sensor Range is measured in units from 1 to 5, with 1 being closest to the faucet and 5 being farthest from the faucet. The factory default Sensor Range is 3.

- A. To determine what the current Sensor Range setting is, press the red "Sensor" button on the upper right hand corner of the Optima Control Box for 1 second. Five seconds after pressing the button, the green LED beside it will blink to indicate the Sensor Range setting. For example, if it is set at 2, the green LED will blink 2 times.
- B. To adjust the Sensor Range, press and hold the red "Sensor" button for three seconds and release once the green LED comes on to indicate that you are in Sensor Range adjustment mode. Then press the "Sensor" button one second at a time for however many times you wish to increase the range. For example, if the Sensor Range is set at 2 and you wish to increase it to 4, press the "Sensor" button two times for one second each time..
- C. If you wish to decrease the Sensor Range, follow the same procedure to enter into Sensor Range adjustment mode, and then press the "Sensor" button one second at a time. The button is designed to go up to 5 units and then back down to 1 unit. For example, if the Sensor Range is set at 4 and you wish to decrease it to 2, press the "Sensor" button three times for one second each time.
- D. To conform your changes, wait 5 seconds and then press the red "Sensor" button on the upper right hand corner of the Optima Control Box for 1 second. Five seconds after pressing the button, the green LED beside it will blink to indicate the Sensor Range setting. For example, if it is now set at 2, the green LED will blink 2 times.

##### Solenoid produces an audible "CLICK" when an object is placed in the detection zone of the sensor but NO water flows.

- A. Water supply to faucet is not open.  
Open supply stop(s).
- B. Inlet fitting filter is clogged.  
Remove, clean, and reinsert. Replace with EBF1004 solenoid filter kit if necessary.
- C. Aerator or spray head is clogged.  
Remove, clean, and reinsert.

## Optima® EBF-85/EBF-187/ETF-80/ETF-880 Faucets Parts & Accessories

**Solenoid valve DOES NOT produce an audible “CLICK” and NO water flows. Green LED illuminates when batteries installed.**

- A. Replace EFP103A solenoid valve module.

**Faucet delivers only a slow flow or dribble when sensor is activated.**

- A. Water supply valve is partially closed.  
Open the supply stop(s) completely.
- B. Inlet fitting filter is clogged.  
Remove, clean, and reinsert. Replace with EFP101A replacement filter kit if necessary.
- C. Aerator or spray head is clogged.  
Remove, clean, and reinsert.

**Faucet DOES NOT stop delivering water or continues to drip after user is no longer detected (automatic shut-off fails even when batteries are removed).**

- A. Solenoid valve seat is dirty.  
Remove, clean, and reinsert solenoid filter. Activate faucet several times to flush out dirt.
- B. Sensor range is set too long and is detecting the sink or some other object.  
Reduce sensor detection range.
- C. Solenoid valve module is not working properly.  
Replace EFP103A solenoid valve module.

**The water temperature is too hot or too cold on a faucet connected to hot and cold supply lines with inlet filter fitting.**

- A. Supply stops are not adjusted properly.  
Adjust supply stops.

NOTE: For some systems, a thermostatic mixing valve may be required

### SLOAN CONNECT APP FAQs

**How do I connect my faucet to the Sloan mobile app?**

**To connect your faucet to the Sloan mobile App, you must complete the following steps:**

1. Turn on your smartphone's Bluetooth.
2. Open the Sloan mobile app.
3. Complete all Sign In fields and agree to the End User License Agreement and Terms of Use.
4. Activate your faucets Bluetooth transmitter by slowly waving your hand underneath the faucet three (3) times within ten (10) seconds. Note: water will run during this process.
5. When your faucet's Bluetooth transmitter is activated, the Sloan mobile app will display your faucet.
6. Select your faucet to confirm and connect to the Sloan mobile app.



**Can I still use my app and faucet if there is no internet connection?**

Yes. The Sloan Connect App and faucet are designed to work in offline mode. All connectivity occurs via Bluetooth, which does not require an internet connection. If your phone is running Android 7, there is a built-in feature to prevent abusive BLE scanning. This change prevents an app from stopping and starting BLE scans more than 5 times in a window of 30 seconds. If this app does not detect any faucet and your phone is running Android 7, just exit the app and restart the app 30 seconds later.

**My faucet is not showing in advertised devices.**

Please be sure your Sloan Optima Control Box has power. To do this, remove the cover with the single screw in the center. Check there are no loose or disconnected wires and ensure the batteries are properly installed. Then repeat the connection process. If you are still experiencing issues, contact Sloan.

**How do I save and load settings?**

Each time you update settings on a faucet, they are stored in the app. If you would like to load the settings from a previous faucet to a new faucet, connect to that faucet and select the “Load Previous Settings”. This will display a dialogue box showing the previous settings. Click “Confirm” to load those settings into the app, then select “Apply Settings To Faucet” button at the bottom of your dashboard.

**Why is the dashboard photo of my faucet not correct?**

Each Sloan faucet type has several images associated with it. Use the left and right arrows to view the different faucet images.

**How can I use the Sloan Connect App to save information about a specific faucet, like its location?**

Select the “Notes” option from the main App screen and use this feature to include up to 120 characters worth of information.

When assistance is required, please contact Sloan Technical Support at:

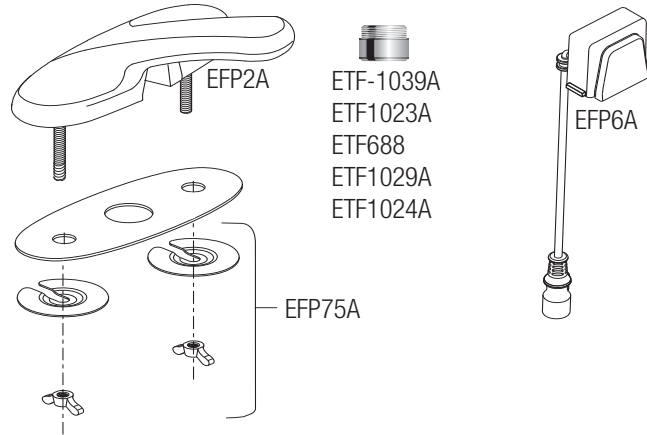
1-888-SLOAN-14 (1-888-756-2614) (USA only) or +1-847-671-4300 (all other locations),  
or visit sloan.com

# Optima® EBF-650/ETF-600 Faucets

## Parts & Accessories



**ETF-600** Low-height, hardwired  
**EBF-650** Low-height, battery



### SPOUT ASSEMBLY

Description	Code No.	Part No.
Spout Assembly	0367002	EFP2A
Sensor & Cable Assembly	0367006	EFP6A
Sensor & Cable Assembly	0367075	EFP75A

### SPRAYHEAD OPTIONS

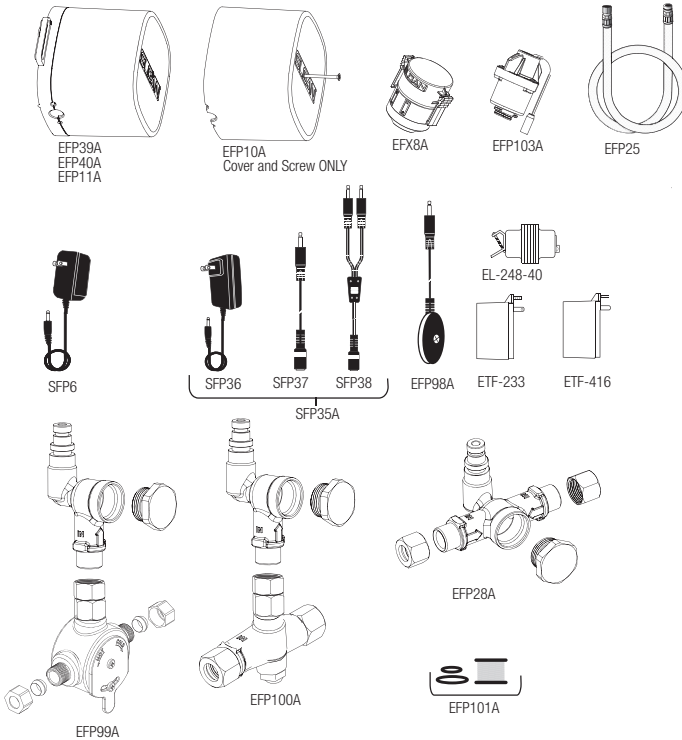
Description	Type	Code No.	Part No.
0.35 GPM/1.3 Lpm	MLM	3365756	ETF1039A
0.5 GPM/1.9 Lpm	MLM	3365092	ETF1023A
1.5 GPM/5.7 Lpm	LAM	0365395	ETF688
2.2 GPM/8.3 Lpm	LAM	3365162	ETF1029A
2.2 GPM/8.3 Lpm	AER	3365093	ETF1024A

### TRIMPLATE OPTIONS

Description	Code No.	Part No.
8"	3365114	ETF578A

### BELOW DECK ASSEMBLIES

Description	Code No.	Part No.
Control Box No Turbine	0367039	EFP39A
Control Box Turbine 0.5 gpm	0367040	EFP40A
Control Box Turbine 1.5 gpm	0367011	EFP11A
Quick Connect Spout Hose 24"	0367025	EFP25
Control Box Cover w/Screw	0367010	EFP10A
Solenoid Assembly	0367103	EFP103A
Battery Pack	3324113	EFX8A
Double Inlet Tee Filter Assembly	0367028	EFP28A
BDM & Single Inlet Tee Filter Assembly Kit	0367099	EFP99A
BDT & Single Inlet Tee Filter Assembly Kit	0367100	EFP100A
Replacement Filter Pack-(5) Filter (5) Large O-rings (5) Small O-rings	0367101	EFP101A
24 VAC Power Harness Assembly	0367098	EFP98A
110V/6 VDC Power Supply	0362006	SFP6
100/240VAC/6 VDC Power Supply	0362016	SFP36
120/24 VAC Power Supply	0365534PK	ETF-233
120/24 VAC Power Supply (Canada) Plug-in	0365879	ETF-416
120/24 VAC Power Supply (Box Mount)	0345370PK	EL-248-40
Extension Cable	0362017	SFP37
Splitter Cable	0362018	SFP38
Gang Adapter Kit	0362035	SFP35A
Faucet to Module Ext. Cable*	0367113	EFP-113-A



NOTE: Some parts and accessories must be ordered separately  
 \* Not shown

## Optima® EBF-650/ETF-600 Faucets

### Parts & Accessories

#### TROUBLESHOOTING INSTRUCTIONS FOR OPTIMA SENSOR ACTIVATED LAVATORY FAUCETS WITH THE NEW OPTIMA CONTROL BOXES AND THE SLOAN CONNECT SMARTPHONE APP.

**NOTE:** To automatically check battery strength, troubleshoot, diagnose and report faucet issues with a wireless device, use the Sloan SmartPhone APP. The APP is available free-of-charge at the Apple iPhone APP store for iOS devices or the Google Play APP store for Android devices. For more information about the APP and its capabilities please visit [www.Sloan.com](http://www.Sloan.com).

#### FAUCET TROUBLESHOOTING GUIDE

##### LED indicator light in the IR (infrared) sensor is red.

- A. Battery power is low.  
Install four (4) new AA sized alkaline batteries. Check that the orientation of each battery matches the positive (+) and negative (-) symbols shown in the bottom of the battery compartment.  
Re-attach battery compartment to control module. Green LED will illuminate. If the Green LED does not illuminate, remove battery compartment for 10 seconds and return into place.

##### Faucet DOES NOT function.

- A. Batteries not installed or are exhausted.  
Install four (4) AA sized alkaline batteries. Check that the orientation of each battery matches the positive (+) and negative (-) symbols shown in the bottom of the battery compartment. Reattach battery compartment to control module. Green LED will illuminate. If the Green LED does not illuminate, remove battery compartment for 10 seconds and return into place.
- B. Power Cable not installed (Hardwire models).  
Install power cable and check connection.
- C. Sensor Cable not installed.  
Install sensor cable and check connection. Confirm connection guide markings are aligned.
- D. Sensor range is set too short and is not detecting the target.  
Increase sensor detection range.

##### Sensor is activated but faucet DOES NOT deliver water.

- A. Faucet has initiated its adaptive sensing calibration program.  
Wait 60 seconds before activating faucet.
- B. Solenoid Cable not connected.  
Check solenoid cable connection. Confirm connection guide markings are aligned.

##### Sensor Range Requires Manual Adjustment.

Sensor Range is measured in units from 1 to 5, with 1 being closest to the faucet and 5 being farthest from the faucet. The factory default Sensor Range is 3.

- A. To determine what the current Sensor Range setting is, press the red "Sensor" button on the upper right hand corner of the Optima Control Box for 1 second. Five seconds after pressing the button, the green LED beside it will blink to indicate the Sensor Range setting. For example, if it is set at 2, the green LED will blink 2 times.
- B. To adjust the Sensor Range, press and hold the red "Sensor" button for three seconds and release once the green LED comes on to indicate that you are in Sensor Range adjustment mode. Then press the "Sensor" button one second at a time for however many times you wish to increase the range. For example, if the Sensor Range is set at 2 and you wish to increase it to 4, press the "Sensor" button two times for one second each time..
- C. If you wish to decrease the Sensor Range, follow the same procedure to enter into Sensor Range adjustment mode, and then press the "Sensor" button one second at a time. The button is designed to go up to 5 units and then back down to 1 unit. For example, if the Sensor Range is set at 4 and you wish to decrease it to 2, press the "Sensor" button three times for one second each time.
- D. To conform your changes, wait 5 seconds and then press the red "Sensor" button on the upper right hand corner of the Optima Control Box for 1 second. Five seconds after pressing the button, the green LED beside it will blink to indicate the Sensor Range setting. For example, if it is now set at 2, the green LED will blink 2 times.

##### Solenoid produces an audible "CLICK" when an object is placed in the detection zone of the sensor but NO water flows.

- A. Water supply to faucet is not open.  
Open supply stop(s).
- B. Inlet fitting filter is clogged.  
Remove, clean, and reinsert. Replace with EBF1004 solenoid filter kit if necessary.
- C. Aerator or spray head is clogged.  
Remove, clean, and reinsert.

## Optima® EBF-650/ETF-600 Faucets

### Parts & Accessories

**Solenoid valve DOES NOT produce an audible “CLICK” and NO water flows. Green LED illuminates when batteries installed.**

- A. Replace EFP103A solenoid valve module.

**Faucet delivers only a slow flow or dribble when sensor is activated.**

- A. Water supply valve is partially closed.  
Open the supply stop(s) completely.
- B. Inlet fitting filter is clogged.  
Remove, clean, and reinsert. Replace with EFP101A replacement filter kit if necessary.
- C. Aerator or spray head is clogged.  
Remove, clean, and reinsert.

**Faucet DOES NOT stop delivering water or continues to drip after user is no longer detected (automatic shut-off fails even when batteries are removed).**

- A. Solenoid valve seat is dirty.  
Remove, clean, and reinsert solenoid filter. Activate faucet several times to flush out dirt.
- B. Sensor range is set too long and is detecting the sink or some other object.  
Reduce sensor detection range.
- C. Solenoid valve module is not working properly.  
Replace EFP103A solenoid valve module.

**The water temperature is too hot or too cold on a faucet connected to hot and cold supply lines with inlet filter fitting.**

- A. Supply stops are not adjusted properly.  
Adjust supply stops.

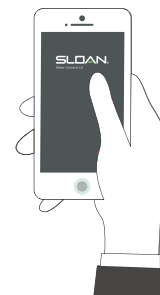
NOTE: For some systems, a thermostatic mixing valve may be required

## SLOAN CONNECT APP FAQs

**How do I connect my faucet to the Sloan mobile app?**

**To connect your faucet to the Sloan mobile App, you must complete the following steps:**

1. Turn on your smartphone's Bluetooth.
2. Open the Sloan mobile app.
3. Complete all Sign In fields and agree to the End User License Agreement and Terms of Use.
4. Activate your faucets Bluetooth transmitter by slowly waving your hand underneath the faucet three (3) times within ten (10) seconds. Note: water will run during this process.
5. When your faucet's Bluetooth transmitter is activated, the Sloan mobile app will display your faucet.
6. Select your faucet to confirm and connect to the Sloan mobile app.



**Can I still use my app and faucet if there is no internet connection?**

Yes. The Sloan Connect App and faucet are designed to work in offline mode. All connectivity occurs via Bluetooth, which does not require an internet connection. If your phone is running Android 7, there is a built-in feature to prevent abusive BLE scanning. This change prevents an app from stopping and starting BLE scans more than 5 times in a window of 30 seconds. If this app does not detect any faucet and your phone is running Android 7, just exit the app and restart the app 30 seconds later.

**My faucet is not showing in advertised devices.**

Please be sure your Sloan Optima Control Box has power. To do this, remove the cover with the single screw in the center. Check there are no loose or disconnected wires and ensure the batteries are properly installed. Then repeat the connection process. If you are still experiencing issues, contact Sloan.

**How do I save and load settings?**

Each time you update settings on a faucet, they are stored in the app. If you would like to load the settings from a previous faucet to a new faucet, connect to that faucet and select the “Load Previous Settings”. This will display a dialogue box showing the previous settings. Click “Confirm” to load those settings into the app, then select “Apply Settings To Faucet” button at the bottom of your dashboard.

**Why is the dashboard photo of my faucet not correct?**

Each Sloan faucet type has several images associated with it. Use the left and right arrows to view the different faucet images.

**How can I use the Sloan Connect App to save information about a specific faucet, like its location?**

Select the “Notes” option from the main App screen and use this feature to include up to 120 characters worth of information.

When assistance is required, please contact Sloan Technical Support at:  
1-888-SLOAN-14 (1-888-756-2614) (USA only) or +1-847-671-4300 (all other locations),  
or visit [sloan.com](http://sloan.com)



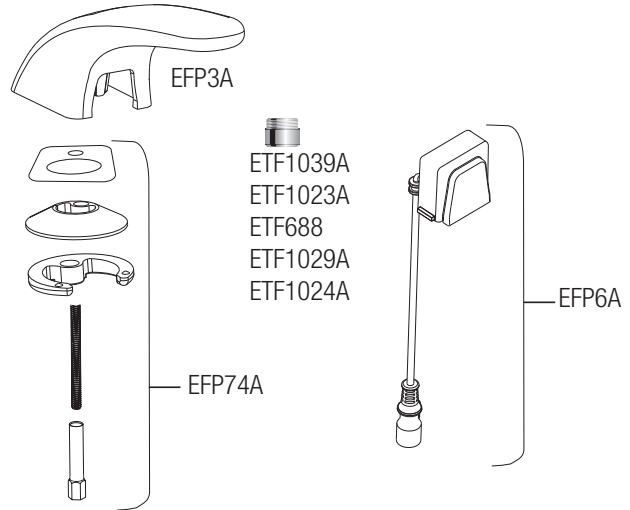
# Optima® EBF-615/ETF-610 Faucets

## Parts & Accessories

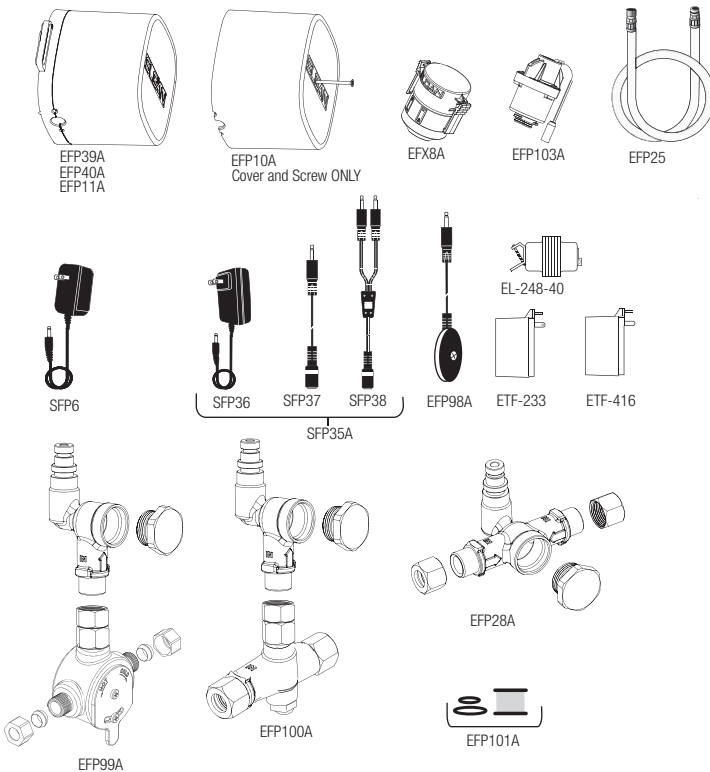


**ETF-610** Low-height, hardwired  
**EBF-615** Low-height, battery

SPOUT ASSEMBLY			
Description	Code No.	Part No.	
Spout Assembly ETF-610/EBF-615	0367003	EFP3A	
Sensor & Cable Assembly	0367006	EFP6A	
Spout Mounting Kit	0367074	EFP74A	
SPRAYHEAD OPTIONS			
Description	Type	Code No.	Part No.
0.35 GPM/1.3 Lpm	MLM	3365756	ETF1039A
0.5 GPM/1.9 Lpm	MLM	3365092	ETF1023A
1.5 GPM/5.7 Lpm	LAM	0365395	ETF688
2.2 GPM/8.3 Lpm	LAM	3365162	ETF1029A
2.2 GPM/8.3 Lpm	AER	3365162	ETF1024A
TRIMPLATE OPTIONS			
Description	Code No.	Part No.	
4"	3365302	ETF607A	
8"	3365303	ETF608A	



BELOW DECK ASSEMBLIES		
Description	Code No.	Part No.
Control Box No Turbine	0367039	EFP39A
Control Box Turbine 0.5 gpm	0367040	EFP40A
Control Box Turbine 1.5 gpm	0367011	EFP11A
Quick Connect Spout Hose 24"	0367025	EFP25A
Control Box Cover w/Screw	0367010	EFP10A
Solenoid Assembly	0367103	EFP103A
Battery Pack	3324113	EFX8A
Double Inlet Tee Filter Assembly	0367028	EFP28A
BDM & Single Inlet Tee Filter Assembly Kit	0367099	EFP99A
BDT & Single Inlet Tee Filter Assembly Kit	0367100	EFP100A
Replacement Filter Pack-(5) Filter (5) Large O-rings (5) Small O-rings	0367101	EFP101A
24 VAC Power Harness Assembly	0367098	EFP98A
110V/6 VDC Power Supply	0362006	SFP6
100-240 VAC/6VDC Power Supply	0362016	SFP36
120/24 VAC Power Supply	0365534PK	ETF-233
120/24 VAC Power Supply (Canada) Plug-in	0365879	ETF-416
120/24 VAC Power Supply (Box Mount)	0345370PK	EL-248-40
Extension Cable	0362017	SFP37
Splitter Cable	0362018	SFP38
Gang Adapter Kit	0362035	SFP35A
Faucet to Module Ext. Cable*	0367113	EFP-113-A



NOTE: Some parts and accessories must be ordered separately  
 \* Not shown

## Optima® EBF-615/ETF-610 Faucets

### Parts & Accessories

#### TROUBLESHOOTING INSTRUCTIONS FOR OPTIMA SENSOR ACTIVATED LAVATORY FAUCETS WITH THE NEW OPTIMA CONTROL BOXES AND THE SLOAN CONNECT SMARTPHONE APP.

**NOTE:** To automatically check battery strength, troubleshoot, diagnose and report faucet issues with a wireless device, use the Sloan SmartPhone APP. The APP is available free-of-charge at the Apple iPhone APP store for iOS devices or the Google Play APP store for Android devices. For more information about the APP and its capabilities please visit [www.Sloan.com](http://www.Sloan.com).

#### FAUCET TROUBLESHOOTING GUIDE

##### LED indicator light in the IR (infrared) sensor is red.

- A. Battery power is low.  
Install four (4) new AA sized alkaline batteries. Check that the orientation of each battery matches the positive (+) and negative (-) symbols shown in the bottom of the battery compartment.  
Re-attach battery compartment to control module. Green LED will illuminate. If the Green LED does not illuminate, remove battery compartment for 10 seconds and return into place.

##### Faucet DOES NOT function.

- A. Batteries not installed or are exhausted.  
Install four (4) AA sized alkaline batteries. Check that the orientation of each battery matches the positive (+) and negative (-) symbols shown in the bottom of the battery compartment. Reattach battery compartment to control module. Green LED will illuminate. If the Green LED does not illuminate, remove battery compartment for 10 seconds and return into place.
- B. Power Cable not installed (Hardwire models).  
Install power cable and check connection.
- C. Sensor Cable not installed.  
Install sensor cable and check connection. Confirm connection guide markings are aligned.
- D. Sensor range is set too short and is not detecting the target.  
Increase sensor detection range.

##### Sensor is activated but faucet DOES NOT deliver water.

- A. Faucet has initiated its adaptive sensing calibration program.  
Wait 60 seconds before activating faucet.
- B. Solenoid Cable not connected.  
Check solenoid cable connection. Confirm connection guide markings are aligned.

##### Sensor Range Requires Manual Adjustment.

Sensor Range is measured in units from 1 to 5, with 1 being closest to the faucet and 5 being farthest from the faucet. The factory default Sensor Range is 3.

- A. To determine what the current Sensor Range setting is, press the red "Sensor" button on the upper right hand corner of the Optima Control Box for 1 second. Five seconds after pressing the button, the green LED beside it will blink to indicate the Sensor Range setting. For example, if it is set at 2, the green LED will blink 2 times.
- B. To adjust the Sensor Range, press and hold the red "Sensor" button for three seconds and release once the green LED comes on to indicate that you are in Sensor Range adjustment mode. Then press the "Sensor" button one second at a time for however many times you wish to increase the range. For example, if the Sensor Range is set at 2 and you wish to increase it to 4, press the "Sensor" button two times for one second each time..
- C. If you wish to decrease the Sensor Range, follow the same procedure to enter into Sensor Range adjustment mode, and then press the "Sensor" button one second at a time. The button is designed to go up to 5 units and then back down to 1 unit. For example, if the Sensor Range is set at 4 and you wish to decrease it to 2, press the "Sensor" button three times for one second each time.
- D. To conform your changes, wait 5 seconds and then press the red "Sensor" button on the upper right hand corner of the Optima Control Box for 1 second. Five seconds after pressing the button, the green LED beside it will blink to indicate the Sensor Range setting. For example, if it is now set at 2, the green LED will blink 2 times.

##### Solenoid produces an audible "CLICK" when an object is placed in the detection zone of the sensor but NO water flows.

- A. Water supply to faucet is not open.  
Open supply stop(s).
- B. Inlet fitting filter is clogged.  
Remove, clean, and reinsert. Replace with EBF1004 solenoid filter kit if necessary.
- C. Aerator or spray head is clogged.  
Remove, clean, and reinsert.

## Optima® EBF-615/ETF-610 Faucets

### Parts & Accessories

#### Solenoid valve DOES NOT produce an audible “CLICK” and NO water flows. Green LED illuminates when batteries installed.

- A. Solenoid valve module is not working properly.  
Replace EFP103A solenoid valve module.

#### Faucet delivers only a slow flow or dribble when sensor is activated.

- A. Water supply valve is partially closed.  
Open the supply stop(s) completely.
- B. Inlet fitting filter is clogged.  
Remove, clean, and reinsert. Replace with EFP101A replacement filter kit if necessary.
- C. Aerator or spray head is clogged.  
Remove, clean, and reinsert.

#### Faucet DOES NOT stop delivering water or continues to drip after user is no longer detected (automatic shut-off fails even when batteries are removed).

- A. Solenoid valve seat is dirty.  
Remove, clean, and reinsert solenoid filter. Activate faucet several times to flush out dirt.
- B. Sensor range is set too long and is detecting the sink or some other object.  
Reduce sensor detection range.
- C. Solenoid valve module is not working properly.  
Replace EFP103A solenoid valve module.

#### The water temperature is too hot or too cold on a faucet connected to hot and cold supply lines with inlet filter fitting.

- A. Supply stops are not adjusted properly.  
Adjust supply stops.

NOTE: For some systems, a thermostatic mixing valve may be required

## SLOAN CONNECT APP FAQs

### How do I connect my faucet to the Sloan mobile app?

#### To connect your faucet to the Sloan mobile App, you must complete the following steps:

1. Turn on your smartphone's Bluetooth.
2. Open the Sloan mobile app.
3. Complete all Sign In fields and agree to the End User License Agreement and Terms of Use.
4. Activate your faucets Bluetooth transmitter by slowly waving your hand underneath the faucet three (3) times within ten (10) seconds. Note: water will run during this process.
5. When your faucets Bluetooth transmitter is activated, the Sloan mobile app will display your faucet.
6. Select your faucet to confirm and connect to the Sloan mobile app.



### Can I still use my app and faucet if there is no internet connection?

Yes. The Sloan Connect App and faucet are designed to work in offline mode. All connectivity occurs via Bluetooth, which does not require an internet connection. If your phone is running Android 7, there is a built-in feature to prevent abusive BLE scanning. This change prevents an app from stopping and starting BLE scans more than 5 times in a window of 30 seconds. If this app does not detect any faucet and your phone is running Android 7, just exit the app and restart the app 30 seconds later.

### My faucet is not showing in advertised devices.

Please be sure your Sloan Optima Control Box has power. To do this, remove the cover with the single screw in the center. Check there are no loose or disconnected wires and ensure the batteries are properly installed. Then repeat the connection process. If you are still experiencing issues, contact Sloan.

### How do I save and load settings?

Each time you update settings on a faucet, they are stored in the app. If you would like to load the settings from a previous faucet to a new faucet, connect to that faucet and select the “Load Previous Settings”. This will display a dialogue box showing the previous settings. Click “Confirm” to load those settings into the app, then select “Apply Settings To Faucet” button at the bottom of your dashboard.

### Why is the dashboard photo of my faucet not correct?

Each Sloan faucet type has several images associated with it. Use the left and right arrows to view the different faucet images.

### How can I use the Sloan Connect App to save information about a specific faucet, like its location?

Select the “Notes” option from the main App screen and use this feature to include up to 120 characters worth of information.

When assistance is required, please contact Sloan Technical Support at:

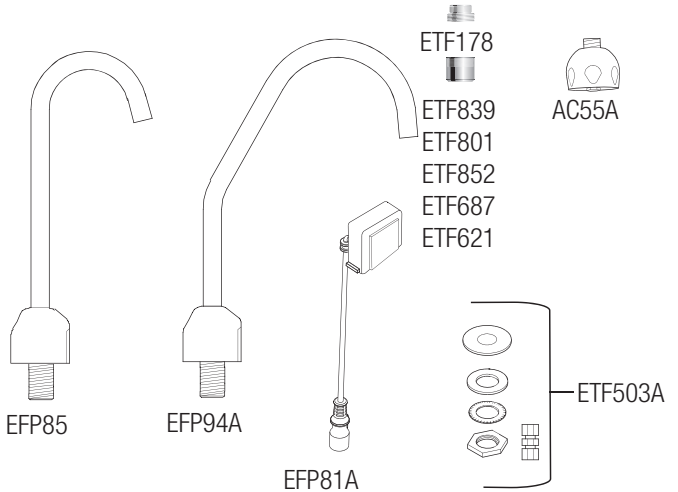
1-888-SLOAN-14 (1-888-756-2614) (USA only) or +1-847-671-4300 (all other locations),  
or visit [sloan.com](http://sloan.com)

**Optima® EBF-750/EBF-750-S/ETF-700**

**ETF-700-S Faucets Parts & Accessories**



**ETF-700** Deck mount, hardwired  
**ETF-700-S** Deck mount, hardwired  
**EBF-750** Deck mount, battery  
**EBF-750-S** Deck mount, battery



**SPOUT ASSEMBLY**

Description	Code No.	Part No.
Spout Assembly ETF-700/EBF-750	0367085	EFP85A
Spout Assembly ETF-700-S/EBF-750-S	0367094	EFP94A
Sensor & Cable Assembly	0367081	EFP81A
Spout Mounting Assembly	0365110	ETF503A

**SPRAYHEAD OPTIONS**

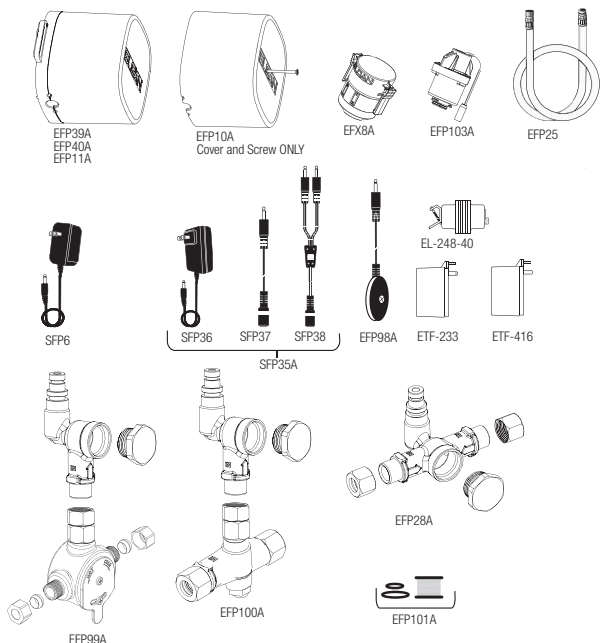
Description	Type	Code	Part No.
0.35 GPM/1.3 Lpm	MLM	0365793	ETF839
0.5 GPM/1.9 Lpm	MLM	0365420	ETF801
1.0 GPM/3.8 Lpm	MLM	0365454	ETF852
1.5 GPM/5.7 Lpm	LAM	0365387	ETF687
1.5 GPM/5.7 Lpm	Shower	0328134	AC55-A
2.2 GPM/8.3 Lpm	LAM	0365147	ETF621
Aerator Adapter (not required for shower spray head)		0305784	ETF178

**TRIMPLATE OPTIONS**

Description	Code No.	Part No.
4"	3365302	ETF607A
8"	3365303	ETF608A

**BELOW DECK ASSEMBLIES**

Description	Code No.	Part No.
Control Box No Turbine	0367039	EFP39A
Control Box Turbine 0.5 gpm	0367040	EFP40A
Control Box Turbine 1.5 gpm	0367011	EFP11A
Quick Connect Spout Hose 18"	0324034	EFX34
Control Box Cover w/Screw	0367010	EFP10A
Solenoid Assembly	0367103	EFP103A
Battery Pack	3324113	EFX8A
Double Inlet Tee Filter Assembly	0367028	EFP28A
BDM & Single Inlet Tee Filter Assembly Kit	0367099	EFP99A
BDT & Single Inlet Tee Filter Assembly Kit	0367100	EFP100A
Replacement Filter Pack-(5) Filter (5) Large O-rings (5) Small O-rings	0367101	EFP101A
24 VAC Power Harness Assembly	0367098	EFP98A
110V/6VDC Power Supply	0362006	SFP6
100/240VAC/6 VDC Power Supply	0362016	SFP36
120/24 VAC Power Supply	0365534PK	ETF-233
120/24 VAC Power Supply (Canada) Plug-in	0365879	ETF-416
120/24 VAC Power Supply (Box Mount)	0345370PK	EL-248-40
Extension Cable	0362017	SFP37
Splitter Cable	0362018	SFP38
Gang Adapter Kit	0362035	SFP35A
Faucet to Module Ext. Cable*	0367113	EFP-113-A



NOTE: Some parts and accessories must be ordered separately  
 \* Not shown

**Optima® EBF-750/EBF-750-S/ETF-700****ETF 700-S Faucets Parts & Accessories****TROUBLESHOOTING INSTRUCTIONS FOR OPTIMA SENSOR ACTIVATED LAVATORY FAUCETS  
WITH THE NEW OPTIMA CONTROL BOXES AND THE SLOAN CONNECT SMARTPHONE APP.**

**NOTE:** To automatically check battery strength, troubleshoot, diagnose and report faucet issues with a wireless device, use the Sloan SmartPhone APP. The APP is available free-of-charge at the Apple iPhone APP store for iOS devices or the Google Play APP store for Android devices. For more information about the APP and its capabilities please visit [www.Sloan.com](http://www.Sloan.com).

**FAUCET TROUBLESHOOTING GUIDE****LED indicator light in the IR (infrared) sensor is red.**

- A. Battery power is low.  
Install four (4) new AA sized alkaline batteries. Check that the orientation of each battery matches the positive (+) and negative (-) symbols shown in the bottom of the battery compartment.  
Re-attach battery compartment to control module. Green LED will illuminate. If the Green LED does not illuminate, remove battery compartment for 10 seconds and return into place.

**Faucet DOES NOT function.**

- A. Batteries not installed or are exhausted.  
Install four (4) AA sized alkaline batteries. Check that the orientation of each battery matches the positive (+) and negative (-) symbols shown in the bottom of the battery compartment. Reattach battery compartment to control module. Green LED will illuminate. If the Green LED does not illuminate, remove battery compartment for 10 seconds and return into place.
- B. Power Cable not installed (Hardwire models).  
Install power cable and check connection.
- C. Sensor Cable not installed.  
Install sensor cable and check connection. Confirm connection guide markings are aligned.
- D. Sensor range is set too short and is not detecting the target.  
Increase sensor detection range.

**Sensor is activated but faucet DOES NOT deliver water.**

- A. Faucet has initiated its adaptive sensing calibration program.  
Wait 60 seconds before activating faucet.
- B. Solenoid Cable not connected.  
Check solenoid cable connection. Confirm connection guide markings are aligned.

**Sensor Range Requires Manual Adjustment.**

Sensor Range is measured in units from 1 to 5, with 1 being closest to the faucet and 5 being farthest from the faucet. The factory default Sensor Range is 3.

- A. To determine what the current Sensor Range setting is, press the red "Sensor" button on the upper right hand corner of the Optima Control Box for 1 second. Five seconds after pressing the button, the green LED beside it will blink to indicate the Sensor Range setting. For example, if it is set at 2, the green LED will blink 2 times.
- B. To adjust the Sensor Range, press and hold the red "Sensor" button for three seconds and release once the green LED comes on to indicate that you are in Sensor Range adjustment mode. Then press the "Sensor" button one second at a time for however many times you wish to increase the range. For example, if the Sensor Range is set at 2 and you wish to increase it to 4, press the "Sensor" button two times for one second each time..
- C. If you wish to decrease the Sensor Range, follow the same procedure to enter into Sensor Range adjustment mode, and then press the "Sensor" button one second at a time. The button is designed to go up to 5 units and then back down to 1 unit. For example, if the Sensor Range is set at 4 and you wish to decrease it to 2, press the "Sensor" button three times for one second each time.
- D. To conform your changes, wait 5 seconds and then press the red "Sensor" button on the upper right hand corner of the Optima Control Box for 1 second. Five seconds after pressing the button, the green LED beside it will blink to indicate the Sensor Range setting. For example, if it is now set at 2, the green LED will blink 2 times.

**Solenoid produces an audible "CLICK" when an object is placed in the detection zone of the sensor but  
NO water flows.**

- A. Water supply to faucet is not open.  
Open supply stop(s).
- B. Inlet fitting filter is clogged.  
Remove, clean, and reinsert. Replace with EBF1004 solenoid filter kit if necessary.
- C. Aerator or spray head is clogged.  
Remove, clean, and reinsert.

**Optima® EBF-750/EBF-750-S/ETF-700****ETF 700-S Faucets Parts & Accessories**

**Solenoid valve DOES NOT produce an audible “CLICK” and NO water flows. Green LED illuminates when batteries installed.**

- A. Solenoid valve module is not working properly.  
Replace EFP103A solenoid valve module.

**Faucet delivers only a slow flow or dribble when sensor is activated.**

- A. Water supply valve is partially closed.  
Open the supply stop(s) completely.
- B. Inlet fitting filter is clogged.  
Remove, clean, and reinsert. Replace with EFP101A replacement filter kit if necessary.
- C. Aerator or spray head is clogged.  
Remove, clean, and reinsert.

**Faucet DOES NOT stop delivering water or continues to drip after user is no longer detected (automatic shut-off fails even when batteries are removed).**

- A. Solenoid valve seat is dirty.  
Remove, clean, and reinsert solenoid filter. Activate faucet several times to flush out dirt.
- B. Sensor range is set too long and is detecting the sink or some other object.  
Reduce sensor detection range.
- C. Solenoid valve module is not working properly.  
Replace EFP103A solenoid valve module.

**The water temperature is too hot or too cold on a faucet connected to hot and cold supply lines with inlet filter fitting.**

- A. Supply stops are not adjusted properly.  
Adjust supply stops.

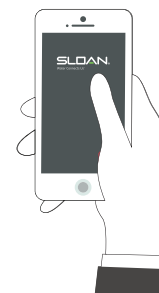
NOTE: For some systems, a thermostatic mixing valve may be required

**SLOAN CONNECT APP FAQs**

**How do I connect my faucet to the Sloan mobile app?**

**To connect your faucet to the Sloan mobile App, you must complete the following steps:**

1. Turn on your smartphone's Bluetooth.
2. Open the Sloan mobile app.
3. Complete all Sign In fields and agree to the End User License Agreement and Terms of Use.
4. Activate your faucets Bluetooth transmitter by slowly waving your hand underneath the faucet three (3) times within ten (10) seconds. Note: water will run during this process.
5. When your faucets Bluetooth transmitter is activated, the Sloan mobile app will display your faucet.
6. Select your faucet to confirm and connect to the Sloan mobile app.



**Can I still use my app and faucet if there is no internet connection?**

Yes. The Sloan Connect App and faucet are designed to work in offline mode. All connectivity occurs via Bluetooth, which does not require an internet connection. If your phone is running Android 7, there is a built-in feature to prevent abusive BLE scanning. This change prevents an app from stopping and starting BLE scans more than 5 times in a window of 30 seconds. If this app does not detect any faucet and your phone is running Android 7, just exit the app and restart the app 30 seconds later.

**My faucet is not showing in advertised devices.**

Please be sure your Sloan Optima Control Box has power. To do this, remove the cover with the single screw in the center. Check there are no loose or disconnected wires and ensure the batteries are properly installed. Then repeat the connection process. If you are still experiencing issues, contact Sloan.

**How do I save and load settings?**

Each time you update settings on a faucet, they are stored in the app. If you would like to load the settings from a previous faucet to a new faucet, connect to that faucet and select the “Load Previous Settings”. This will display a dialogue box showing the previous settings. Click “Confirm” to load those settings into the app, then select “Apply Settings To Faucet” button at the bottom of your dashboard.

**Why is the dashboard photo of my faucet not correct?**

Each Sloan faucet type has several images associated with it. Use the left and right arrows to view the different faucet images.

**How can I use the Sloan Connect App to save information about a specific faucet, like its location?**

Select the “Notes” option from the main App screen and use this feature to include up to 120 characters worth of information.

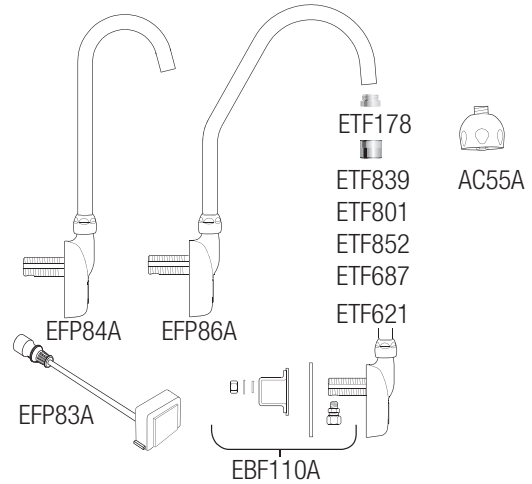
When assistance is required, please contact Sloan Technical Support at:

1-888-SLOAN-14 (1-888-756-2614) (USA only) or +1-847-671-4300 (all other locations), or visit [sloan.com](http://sloan.com)



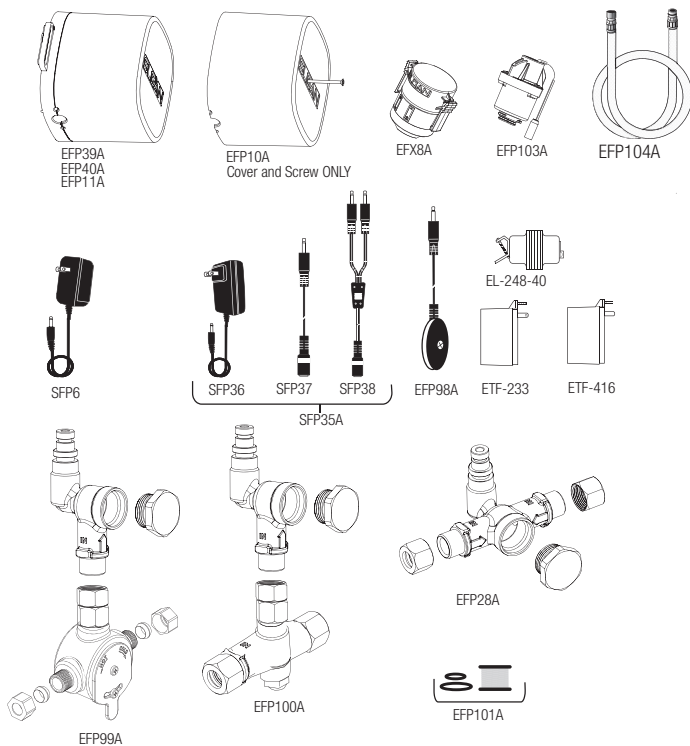
**Optima® EBF-550/EBF-550-S/ETF-500**

**ETF-500-S Faucets Parts & Accessories**



<b>SPOUT ASSEMBLY</b>			
Description	Code No.	Part No.	
Spout Assembly ETF-500/EBF-550	0367084	EFP84A	
Spout Assembly ETF-500-S/EBF-550-S	0367086	EFP86A	
Sensor & Cable Assembly	0367083	EFP83A	
Spout Mounting Assembly	0315060	EBF110A	
<b>SPRAYHEAD OPTIONS</b>			
Description	Type	Code No.	Part No.
0.35 GPM/1.3 Lpm	MLM	0365793	ETF839
0.5 GPM/1.9 Lpm	MLM	0365420	ETF801
1.0 GPM/3.8 Lpm	MLM	0365454	ETF852
1.5 GPM/5.7 Lpm	LAM	0365387	ETF687
1.5 GPM/5.7 Lpm	Shower	0328134	AC55-A
2.2 GPM/8.3 Lpm	LAM	0365147	ETF621
Aerator Adapter (not required for shower spray head)		0305784	ETF178

<b>BELOW DECK ASSEMBLIES</b>		
Description	Code No.	Part No.
Control Box No Turbine	0367039	EFP39A
Control Box Turbine 0.5 gpm	0367040	EFP40A
Control Box Turbine 1.5 gpm	0367011	EFP11A
Quick Connect Spout Hose 36"	0367104	EFP104A
Control Box Cover w/Screw	0367010	EFP10A
Solenoid Assembly	0367103	EFP103A
Battery Pack	3324113	EFX8A
Double Inlet Tee Filter Assembly	0367028	EFP28A
BDM & Single Inlet Tee Filter Assembly Kit	0367099	EFP99A
BDT & Single Inlet Tee Filter Assembly Kit	0367100	EFP100A
Replacement Filter Pack-(5) Filter (5) Large O-rings (5) Small O-rings	0367101	EFP101A
24 VAC Power Harness Assembly	0367098	EFP98A
110V/6 VDC Power Supply	0362006	SFP6
100-240 VAC/6 VDC Power Supply	0362016	SFP36
120/24 VAC Power Supply	0365534PK	ETF-233
120/24 VAC Power Supply (Canada) Plug-in	0365879	ETF-416
120/24 VAC Power Supply (Box Mount)	0345370PK	EL-248-40
Extension Cable	0362017	SFP37
Splitter Cable	0362018	SFP38
Gang Adapter Kit	0362035	SFP35A
Faucet to Module Ext. Cable*	0367113	EFP-113-A



NOTE: Some parts and accessories must be ordered separately  
 \*Not Shown

**Optima® EBF-550/EBF-550-S/ETF-500****ETF-500-S Faucets Parts & Accessories****TROUBLESHOOTING INSTRUCTIONS FOR OPTIMA SENSOR ACTIVATED LAVATORY FAUCETS  
WITH THE NEW OPTIMA CONTROL BOXES AND THE SLOAN CONNECT SMARTPHONE APP.**

**NOTE:** To automatically check battery strength, troubleshoot, diagnose and report faucet issues with a wireless device, use the Sloan SmartPhone APP. The APP is available free-of-charge at the Apple iPhone APP store for iOS devices or the Google Play APP store for Android devices. For more information about the APP and its capabilities please visit Sloan.com.

**FAUCET TROUBLESHOOTING GUIDE****LED indicator light in the IR (infrared) sensor is red.**

- A. Battery power is low.  
Install four (4) new AA sized alkaline batteries. Check that the orientation of each battery matches the positive (+) and negative (-) symbols shown in the bottom of the battery compartment.  
Re-attach battery compartment to control module. Green LED will illuminate. If the Green LED does not illuminate, remove battery compartment for 10 seconds and return into place.

**Faucet DOES NOT function.**

- A. Batteries not installed or are exhausted.  
Install four (4) AA sized alkaline batteries. Check that the orientation of each battery matches the positive (+) and negative (-) symbols shown in the bottom of the battery compartment. Reattach battery compartment to control module. Green LED will illuminate. If the Green LED does not illuminate, remove battery compartment for 10 seconds and return into place.
- B. Power Cable not installed (Hardwire models).  
Install power cable and check connection.
- C. Sensor Cable not installed.  
Install sensor cable and check connection. Confirm connection guide markings are aligned.
- D. Sensor range is set too short and is not detecting the target.  
Increase sensor detection range.

**Sensor is activated but faucet DOES NOT deliver water.**

- A. Faucet has initiated its adaptive sensing calibration program.  
Wait 60 seconds before activating faucet.
- B. Solenoid Cable not connected.  
Check solenoid cable connection. Confirm connection guide markings are aligned.

**Sensor Range Requires Manual Adjustment.**

Sensor Range is measured in units from 1 to 5, with 1 being closest to the faucet and 5 being farthest from the faucet. The factory default Sensor Range is 3.

- A. To determine what the current Sensor Range setting is, press the red "Sensor" button on the upper right hand corner of the Optima Control Box for 1 second. Five seconds after pressing the button, the green LED beside it will blink to indicate the Sensor Range setting. For example, if it is set at 2, the green LED will blink 2 times.
- B. To adjust the Sensor Range, press and hold the red "Sensor" button for three seconds and release once the green LED comes on to indicate that you are in Sensor Range adjustment mode. Then press the "Sensor" button one second at a time for however many times you wish to increase the range. For example, if the Sensor Range is set at 2 and you wish to increase it to 4, press the "Sensor" button two times for one second each time..
- C. If you wish to decrease the Sensor Range, follow the same procedure to enter into Sensor Range adjustment mode, and then press the "Sensor" button one second at a time. The button is designed to go up to 5 units and then back down to 1 unit. For example, if the Sensor Range is set at 4 and you wish to decrease it to 2, press the "Sensor" button three times for one second each time.
- D. To conform your changes, wait 5 seconds and then press the red "Sensor" button on the upper right hand corner of the Optima Control Box for 1 second. Five seconds after pressing the button, the green LED beside it will blink to indicate the Sensor Range setting. For example, if it is now set at 2, the green LED will blink 2 times.

**Solenoid produces an audible "CLICK" when an object is placed in the detection zone of the sensor but NO water flows.**

- A. Water supply to faucet is not open.  
Open supply stop(s).
- B. Inlet fitting filter is clogged.  
Remove, clean, and reinsert. Replace with EBF1004 solenoid filter kit if necessary.
- C. Aerator or spray head is clogged.  
Remove, clean, and reinsert.

**Optima® EBF-550/EBF-550-S/ETF-500****ETF-500-S Faucets Parts & Accessories**

**Solenoid valve DOES NOT produce an audible “CLICK” and NO water flows. Green LED illuminates when batteries installed.**

- A. Solenoid valve module is not working properly.  
Replace EFP103A solenoid valve module.

**Faucet delivers only a slow flow or dribble when sensor is activated.**

- A. Water supply valve is partially closed.  
Open the supply stop(s) completely.
- B. Inlet fitting filter is clogged.  
Remove, clean, and reinsert. Replace with EFP101A replacement filter kit if necessary.
- C. Aerator or spray head is clogged.  
Remove, clean, and reinsert.

**Faucet DOES NOT stop delivering water or continues to drip after user is no longer detected (automatic shut-off fails even when batteries are removed).**

- A. Solenoid valve seat is dirty.  
Remove, clean, and reinsert solenoid filter. Activate faucet several times to flush out dirt.
- B. Sensor range is set too long and is detecting the sink or some other object.  
Reduce sensor detection range.
- C. Solenoid valve module is not working properly.  
Replace EFP103A solenoid valve module.

**The water temperature is too hot or too cold on a faucet connected to hot and cold supply lines with inlet filter fitting.**

- A. Supply stops are not adjusted properly.  
Adjust supply stops.

NOTE: For some systems, a thermostatic mixing valve may be required

**SLOAN CONNECT APP FAQs**

**How do I connect my faucet to the Sloan mobile app?**

**To connect your faucet to the Sloan mobile App, you must complete the following steps:**

1. Turn on your smartphone's Bluetooth.
2. Open the Sloan mobile app.
3. Complete all Sign In fields and agree to the End User License Agreement and Terms of Use.
4. Activate your faucets Bluetooth transmitter by slowly waving your hand underneath the faucet three (3) times within ten (10) seconds. Note: water will run during this process.
5. When your faucets Bluetooth transmitter is activated, the Sloan mobile app will display your faucet.
6. Select your faucet to confirm and connect to the Sloan mobile app.



**Can I still use my app and faucet if there is no internet connection?**

Yes. The Sloan Connect App and faucet are designed to work in offline mode. All connectivity occurs via Bluetooth, which does not require an internet connection. If your phone is running Android 7, there is a built-in feature to prevent abusive BLE scanning. This change prevents an app from stopping and starting BLE scans more than 5 times in a window of 30 seconds. If this app does not detect any faucet and your phone is running Android 7, just exit the app and restart the app 30 seconds later.

**My faucet is not showing in advertised devices.**

Please be sure your Sloan Optima Control Box has power. To do this, remove the cover with the single screw in the center. Check there are no loose or disconnected wires and ensure the batteries are properly installed. Then repeat the connection process. If you are still experiencing issues, contact Sloan.

**How do I save and load settings?**

Each time you update settings on a faucet, they are stored in the app. If you would like to load the settings from a previous faucet to a new faucet, connect to that faucet and select the “Load Previous Settings”. This will display a dialogue box showing the previous settings. Click “Confirm” to load those settings into the app, then select “Apply Settings To Faucet” button at the bottom of your dashboard.

**Why is the dashboard photo of my faucet not correct?**

Each Sloan faucet type has several images associated with it. Use the left and right arrows to view the different faucet images.

**How can I use the Sloan Connect App to save information about a specific faucet, like its location?**

Select the “Notes” option from the main App screen and use this feature to include up to 120 characters worth of information.

When assistance is required, please contact Sloan Technical Support at:

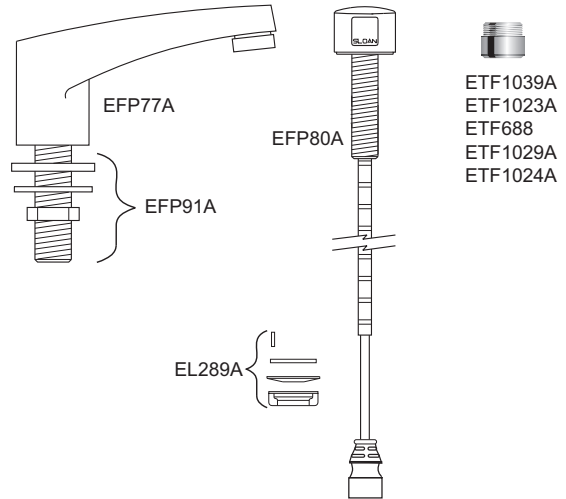
1-888-SLOAN-14 (1-888-756-2614) (USA only) or +1-847-671-4300 (all other locations),  
or visit sloan.com

# Optima® EBF-665/ETF-660 Faucets

## Parts & Accessories



**EBF-665** Deck mount, battery  
**ETF-660** Deck mount, hardwired



- ETF1039A
- ETF1023A
- ETF688
- ETF1029A
- ETF1024A

### SPOUT ASSEMBLY

Description	Code No.	Part No.
Spout Assembly ETF-660/EBF-665	0367077	EFP77A
Spout Mounting Kit	0367091	EFP91A
Sensor & Cable Assembly	0367080	EFP80A
Sensor Mounting Kit	0305528	EL289A

### SPRAYHEAD OPTIONS

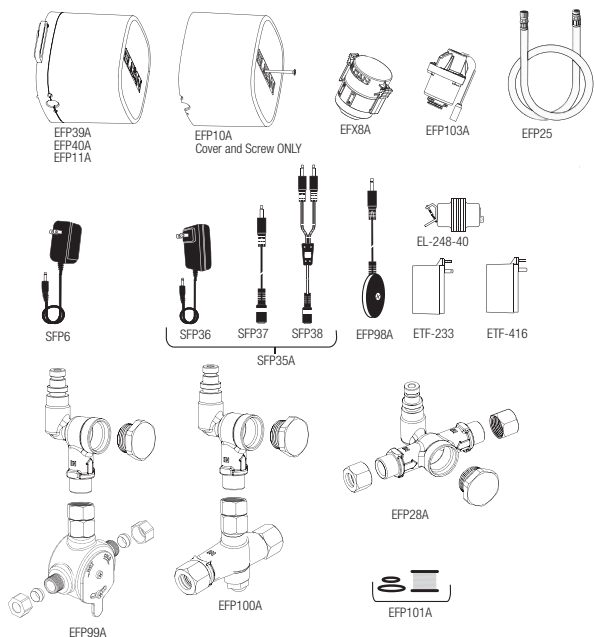
Description	Type	Code No.	Part No.
0.35 GPM/1.3 Lpm	MLM	3365756	ETF1039A
0.5 GPM/1.9 Lpm	MLM	3365092	ETF1023A
1.5 GPM/5.7 Lpm	LAM	0365395	ETF688
2.2 GPM/8.3 Lpm	LAM	3365162	ETF1029A
2.2 GPM/8.3 Lpm	AER	3365093	ETF1024A

### TRIMPLATE OPTIONS

Description	Code No.	Part No.
4"	3365469	ETF313A
8"	3365602	ETF432A
4" ADM	3365470	ETF314A
8" ADM	3365603	ETF433A

### BELOW DECK ASSEMBLIES

Description	Code No.	Part No.
Control Box No Turbine	0367039	EFP39A
Control Box Turbine 0.5 gpm	0367040	EFP40A
Control Box Turbine 1.5 gpm	0367011	EFP11A
Quick Connect Spout Hose 24"	0367025	EFP25
Control Box Cover w/Screw	0367010	EFP10A
Solenoid Assembly	0367103	EFP103A
Battery Pack	3324113	EFX8A
Double Inlet Tee Filter Assembly	0367028	EFP28A
BDM & Single Inlet Tee Filter Assembly Kit	0367099	EFP99A
BDT & Single Inlet Tee Filter Assembly Kit	0367100	EFP100A
Replacement Filter Pack-(5) Filter (5) Large O-rings (5) Small O-rings	0367101	EFP101A
24 VAC Power Harness Assembly	0367098	EFP98A
110V/6VDC Power Supply	0362006	SFP6
100-240 VAC/6 VDC Power Supply	0362016	SFP36
120/24 VAC Power Supply	0365534PK	ETF-233
120/24 VAC Power Supply (Canada) Plug-in	0365879	ETF-416
120/24 VAC Power Supply (Box Mount)	0345370PK	EL-248-40
Extension Cable	0362017	SFP37
Splitter Cable	0362018	SFP38
Gang Adapter Kit	0362035	SFP35A
Faucet to Module Ext. Cable*	0367113	EFP-113-A



NOTE: Some parts and accessories must be ordered separately  
 \* Not shown

## Optima® EBF-665/ETF-660 Faucets

### Parts & Accessories

#### TROUBLESHOOTING INSTRUCTIONS FOR OPTIMA SENSOR ACTIVATED LAVATORY FAUCETS WITH THE NEW OPTIMA CONTROL BOXES AND THE SLOAN CONNECT SMARTPHONE APP.

**NOTE:** To automatically check battery strength, troubleshoot, diagnose and report faucet issues with a wireless device, use the Sloan SmartPhone APP. The APP is available free-of-charge at the Apple iPhone APP store for iOS devices or the Google Play APP store for Android devices. For more information about the APP and its capabilities please visit sloan.com.

#### FAUCET TROUBLESHOOTING GUIDE

##### LED indicator light in the IR (infrared) sensor is red.

- A. Battery power is low.  
Install four (4) new AA sized alkaline batteries. Check that the orientation of each battery matches the positive (+) and negative (-) symbols shown in the bottom of the battery compartment.  
Re-attach battery compartment to control module. Green LED will illuminate. If the Green LED does not illuminate, remove battery compartment for 10 seconds and return into place.

##### Faucet DOES NOT function.

- A. Batteries not installed or are exhausted.  
Install four (4) AA sized alkaline batteries. Check that the orientation of each battery matches the positive (+) and negative (-) symbols shown in the bottom of the battery compartment. Reattach battery compartment to control module. Green LED will illuminate. If the Green LED does not illuminate, remove battery compartment for 10 seconds and return into place.
- B. Power Cable not installed (Hardwire models).  
Install power cable and check connection.
- C. Sensor Cable not installed.  
Install sensor cable and check connection. Confirm connection guide markings are aligned.
- D. Sensor range is set too short and is not detecting the target.  
Increase sensor detection range.

##### Sensor is activated but faucet DOES NOT deliver water.

- A. Faucet has initiated its adaptive sensing calibration program.  
Wait 60 seconds before activating faucet.
- B. Solenoid Cable not connected.  
Check solenoid cable connection. Confirm connection guide markings are aligned.

##### Sensor Range Requires Manual Adjustment.

Sensor Range is measured in units from 1 to 5, with 1 being closest to the faucet and 5 being farthest from the faucet. The factory default Sensor Range is 3.

- A. To determine what the current Sensor Range setting is, press the red "Sensor" button on the upper right hand corner of the Optima Control Box for 1 second. Five seconds after pressing the button, the green LED beside it will blink to indicate the Sensor Range setting. For example, if it is set at 2, the green LED will blink 2 times.
- B. To adjust the Sensor Range, press and hold the red "Sensor" button for three seconds and release once the green LED comes on to indicate that you are in Sensor Range adjustment mode. Then press the "Sensor" button one second at a time for however many times you wish to increase the range. For example, if the Sensor Range is set at 2 and you wish to increase it to 4, press the "Sensor" button two times for one second each time..
- C. If you wish to decrease the Sensor Range, follow the same procedure to enter into Sensor Range adjustment mode, and then press the "Sensor" button one second at a time. The button is designed to go up to 5 units and then back down to 1 unit. For example, if the Sensor Range is set at 4 and you wish to decrease it to 2, press the "Sensor" button three times for one second each time.
- D. To conform your changes, wait 5 seconds and then press the red "Sensor" button on the upper right hand corner of the Optima Control Box for 1 second. Five seconds after pressing the button, the green LED beside it will blink to indicate the Sensor Range setting. For example, if it is now set at 2, the green LED will blink 2 times.

##### Solenoid produces an audible "CLICK" when an object is placed in the detection zone of the sensor but NO water flows.

- A. Water supply to faucet is not open.  
Open supply stop(s).
- B. Inlet fitting filter is clogged.  
Remove, clean, and reinsert. Replace with EBF1004 solenoid filter kit if necessary.
- C. Aerator or spray head is clogged.  
Remove, clean, and reinsert.

## Optima® EBF-655/ETF-660 Faucets

### Parts & Accessories

**Solenoid valve DOES NOT produce an audible “CLICK” and NO water flows. Green LED illuminates when batteries installed.**

- A. Solenoid valve module is not working properly.  
Replace EFP103A solenoid valve module.

**Faucet delivers only a slow flow or dribble when sensor is activated.**

- A. Water supply valve is partially closed.  
Open the supply stop(s) completely.
- B. Inlet fitting filter is clogged.  
Remove, clean, and reinsert. Replace with EFP101A replacement filter kit if necessary.
- C. Aerator or spray head is clogged.  
Remove, clean, and reinsert.

**Faucet DOES NOT stop delivering water or continues to drip after user is no longer detected (automatic shut-off fails even when batteries are removed).**

- A. Solenoid valve seat is dirty.  
Remove, clean, and reinsert solenoid filter. Activate faucet several times to flush out dirt.
- B. Sensor range is set too long and is detecting the sink or some other object.  
Reduce sensor detection range.
- C. Solenoid valve module is not working properly.  
Replace EFP103A solenoid valve module.

**The water temperature is too hot or too cold on a faucet connected to hot and cold supply lines with inlet filter fitting.**

- A. Supply stops are not adjusted properly.  
Adjust supply stops.

NOTE: For some systems, a thermostatic mixing valve may be required

## SLOAN CONNECT APP FAQs

**How do I connect my faucet to the Sloan mobile app?**

**To connect your faucet to the Sloan mobile App, you must complete the following steps:**

1. Turn on your smartphone's Bluetooth.
2. Open the Sloan mobile app.
3. Complete all Sign In fields and agree to the End User License Agreement and Terms of Use.
4. Activate your faucets Bluetooth transmitter by slowly waving your hand underneath the faucet three (3) times within ten (10) seconds. Note: water will run during this process.
5. When your faucets Bluetooth transmitter is activated, the Sloan mobile app will display your faucet.
6. Select your faucet to confirm and connect to the Sloan mobile app.



**Can I still use my app and faucet if there is no internet connection?**

Yes. The Sloan Connect App and faucet are designed to work in offline mode. All connectivity occurs via Bluetooth, which does not require an internet connection. If your phone is running Android 7, there is a built-in feature to prevent abusive BLE scanning. This change prevents an app from stopping and starting BLE scans more than 5 times in a window of 30 seconds. If this app does not detect any faucet and your phone is running Android 7, just exit the app and restart the app 30 seconds later.

**My faucet is not showing in advertised devices.**

Please be sure your Sloan Optima Control Box has power. To do this, remove the cover with the single screw in the center. Check there are no loose or disconnected wires and ensure the batteries are properly installed. Then repeat the connection process. If you are still experiencing issues, contact Sloan.

**How do I save and load settings?**

Each time you update settings on a faucet, they are stored in the app. If you would like to load the settings from a previous faucet to a new faucet, connect to that faucet and select the “Load Previous Settings”. This will display a dialogue box showing the previous settings. Click “Confirm” to load those settings into the app, then select “Apply Settings To Faucet” button at the bottom of your dashboard.

**Why is the dashboard photo of my faucet not correct?**

Each Sloan faucet type has several images associated with it. Use the left and right arrows to view the different faucet images.

**How can I use the Sloan Connect App to save information about a specific faucet, like its location?**

Select the “Notes” option from the main App screen and use this feature to include up to 120 characters worth of information.

When assistance is required, please contact Sloan Technical Support at:

1-888-SLOAN-14 (1-888-756-2614) (USA only) or +1-847-671-4300 (all other locations), or visit [sloan.com](http://sloan.com)



# Optima® EBF-775/ETF-770 Faucets

## Parts & Accessories

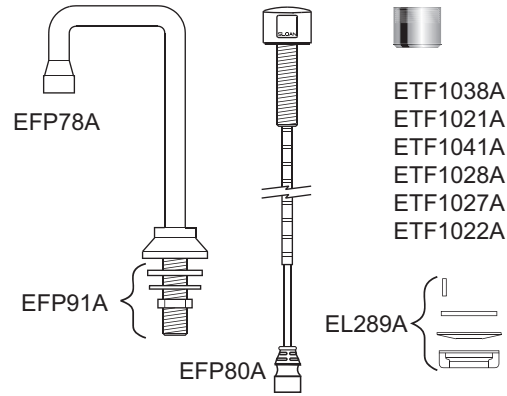


**EBF-775** Deck mount, battery  
**ETF-770** Deck mount, hardwired

SPOUT ASSEMBLY		
Description	Code No.	Part No.
Spout Assembly ETF-770/EBF-775	0367078	EFP78A
Spout Mounting Kit	0367091	EFP91A
Sensor & Cable Assembly	0367080	EFP80A
Sensor Mounting Kit	0305528	EL289A

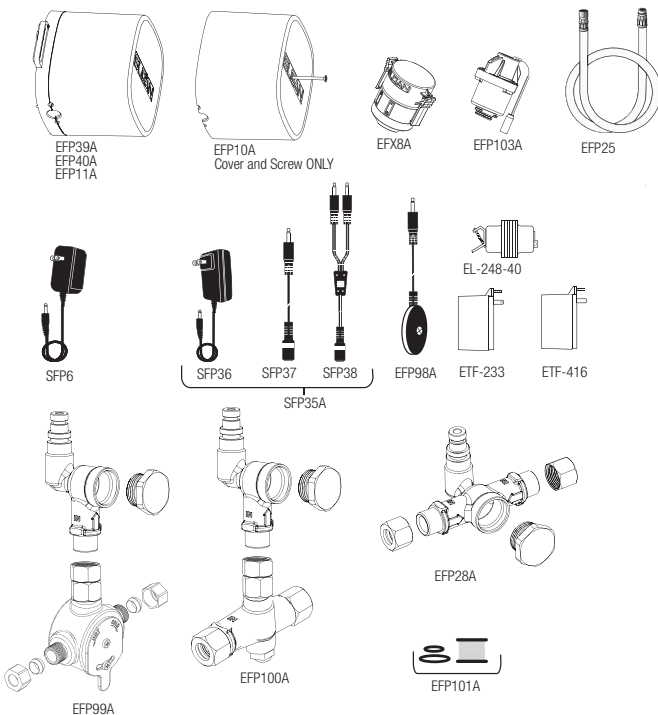
SPRAYHEAD OPTIONS			
Description	Type	Code No.	Part No.
0.35 GPM/1.3 Lpm	MLM	3365755	ETF1038A
0.5 GPM/1.9 Lpm	MLM	3365091	ETF1021A
1.0 GPM/3.8 Lpm	MLM	3365557	ETF1041A
1.5 GPM/5.7 Lpm	LAM	3365161	ETF1028A
2.2 GPM/8.3 Lpm	LAM	3365160	ETF1027A

TRIMPLATE OPTIONS			
Description	Code No.	Part No.	
4"	3365469	ETF313A	
8"	3365602	ETF432A	
4" ADM	3365470	ETF314A	
8" ADM	3365603	ETF433A	



- ETF1038A
- ETF1021A
- ETF1041A
- ETF1028A
- ETF1027A
- ETF1022A

BELOW DECK ASSEMBLIES		
Description	Code No.	Part No.
Control Box No Turbine	0367039	EFP39A
Control Box Turbine 0.5 gpm	0367040	EFP40A
Control Box Turbine 1.5 gpm	0367011	EFP11A
Quick Connect Spout Hose 24"	0367025	EFP25
Control Box Cover w/Screw	0367010	EFP10A
Solenoid Assembly	0367103	EFP103A
Battery Pack	3324113	EFX8A
Double Inlet Tee Filter Assembly	0367028	EFP28A
BDM & Single Inlet Tee Filter Assembly Kit	0367099	EFP99A
BDT & Single Inlet Tee Filter Assembly Kit	0367100	EFP100A
Replacement Filter Pack (5) Filter (5) Large O-rings (5) Small O-rings	0367101	EFP101A
24 VAC Power Harness Assembly	0367098	EFP98A
110V/6VDC Power Supply	0362006	SFP6
100-240 VAC/6 VDC Power Supply	0362016	SFP36
120/24 VAC Power Supply	0365534PK	ETF-233
120/24 VAC Power Supply (Canada) Plug-in	0365879	ETF-416
120/24 VAC Power Supply (Box Mount)	0345370PK	EL-248-40
Extension Cable	0362017	SFP37
Splitter Cable	0362018	SFP38
Gang Adapter Kit	0362035	SFP35A
Faucet to Module Ext. Cable*	0367113	EFP-113-A



NOTE: Some parts and accessories must be ordered separately  
 \* Not Shown

## Optima® EBF-775/ETF-770 Faucets

### Parts & Accessories

#### TROUBLESHOOTING INSTRUCTIONS FOR OPTIMA SENSOR ACTIVATED LAVATORY FAUCETS WITH THE NEW OPTIMA CONTROL BOXES AND THE SLOAN CONNECT SMARTPHONE APP.

**NOTE:** To automatically check battery strength, troubleshoot, diagnose and report faucet issues with a wireless device, use the Sloan SmartPhone APP. The APP is available free-of-charge at the Apple iPhone APP store for iOS devices or the Google Play APP store for Android devices. For more information about the APP and its capabilities please visit Sloan.com.

#### FAUCET TROUBLESHOOTING GUIDE

##### LED indicator light in the IR (infrared) sensor is red.

- A. Battery power is low.  
Install four (4) new AA sized alkaline batteries. Check that the orientation of each battery matches the positive (+) and negative (-) symbols shown in the bottom of the battery compartment.  
Re-attach battery compartment to control module. Green LED will illuminate. If the Green LED does not illuminate, remove battery compartment for 10 seconds and return into place.

##### Faucet DOES NOT function.

- A. Batteries not installed or are exhausted.  
Install four (4) AA sized alkaline batteries. Check that the orientation of each battery matches the positive (+) and negative (-) symbols shown in the bottom of the battery compartment. Reattach battery compartment to control module. Green LED will illuminate. If the Green LED does not illuminate, remove battery compartment for 10 seconds and return into place.
- B. Power Cable not installed (Hardwire models).  
Install power cable and check connection.
- C. Sensor Cable not installed.  
Install sensor cable and check connection. Confirm connection guide markings are aligned.
- D. Sensor range is set too short and is not detecting the target.  
Increase sensor detection range.

##### Sensor is activated but faucet DOES NOT deliver water.

- A. Faucet has initiated its adaptive sensing calibration program.  
Wait 60 seconds before activating faucet.
- B. Solenoid Cable not connected.  
Check solenoid cable connection. Confirm connection guide markings are aligned.

##### Sensor Range Requires Manual Adjustment.

Sensor Range is measured in units from 1 to 5, with 1 being closest to the faucet and 5 being farthest from the faucet. The factory default Sensor Range is 3.

- A. To determine what the current Sensor Range setting is, press the red "Sensor" button on the upper right hand corner of the Optima Control Box for 1 second. Five seconds after pressing the button, the green LED beside it will blink to indicate the Sensor Range setting. For example, if it is set at 2, the green LED will blink 2 times.
- B. To adjust the Sensor Range, press and hold the red "Sensor" button for three seconds and release once the green LED comes on to indicate that you are in Sensor Range adjustment mode. Then press the "Sensor" button one second at a time for however many times you wish to increase the range. For example, if the Sensor Range is set at 2 and you wish to increase it to 4, press the "Sensor" button two times for one second each time..
- C. If you wish to decrease the Sensor Range, follow the same procedure to enter into Sensor Range adjustment mode, and then press the "Sensor" button one second at a time. The button is designed to go up to 5 units and then back down to 1 unit. For example, if the Sensor Range is set at 4 and you wish to decrease it to 2, press the "Sensor" button three times for one second each time.
- D. To conform your changes, wait 5 seconds and then press the red "Sensor" button on the upper right hand corner of the Optima Control Box for 1 second. Five seconds after pressing the button, the green LED beside it will blink to indicate the Sensor Range setting. For example, if it is now set at 2, the green LED will blink 2 times.

##### Solenoid produces an audible "CLICK" when an object is placed in the detection zone of the sensor but NO water flows.

- A. Water supply to faucet is not open.  
Open supply stop(s).
- B. Inlet fitting filter is clogged.  
Remove, clean, and reinsert. Replace with EBF1004 solenoid filter kit if necessary.
- C. Aerator or spray head is clogged.  
Remove, clean, and reinsert.

## Optima® EBF-775/ETF-770 Faucets Parts & Accessories

**Solenoid valve DOES NOT produce an audible “CLICK” and NO water flows. Green LED illuminates when batteries installed.**

- A. Solenoid valve module is not working properly.  
Replace EFP103A solenoid valve module.

**Faucet delivers only a slow flow or dribble when sensor is activated.**

- A. Water supply valve is partially closed.  
Open the supply stop(s) completely.
- B. Inlet fitting filter is clogged.  
Remove, clean, and reinsert. Replace with EFP101A replacement filter kit if necessary.
- C. Aerator or spray head is clogged.  
Remove, clean, and reinsert.

**Faucet DOES NOT stop delivering water or continues to drip after user is no longer detected (automatic shut-off fails even when batteries are removed).**

- A. Solenoid valve seat is dirty.  
Remove, clean, and reinsert solenoid filter. Activate faucet several times to flush out dirt.
- B. Sensor range is set too long and is detecting the sink or some other object.  
Reduce sensor detection range.
- C. Solenoid valve module is not working properly.  
Replace EFP103A solenoid valve module.

**The water temperature is too hot or too cold on a faucet connected to hot and cold supply lines with inlet filter fitting.**

- A. Supply stops are not adjusted properly.  
Adjust supply stops.

NOTE: For some systems, a thermostatic mixing valve may be required

### SLOAN CONNECT APP FAQs

**How do I connect my faucet to the Sloan mobile app?**

**To connect your faucet to the Sloan mobile App, you must complete the following steps:**

1. Turn on your smartphone's Bluetooth.
2. Open the Sloan mobile app.
3. Complete all Sign In fields and agree to the End User License Agreement and Terms of Use.
4. Activate your faucets Bluetooth transmitter by slowly waving your hand underneath the faucet three (3) times within ten (10) seconds. Note: water will run during this process.
5. When your faucets Bluetooth transmitter is activated, the Sloan mobile app will display your faucet.
6. Select your faucet to confirm and connect to the Sloan mobile app.



**Can I still use my app and faucet if there is no internet connection?**

Yes. The Sloan Connect App and faucet are designed to work in offline mode. All connectivity occurs via Bluetooth, which does not require an internet connection. If your phone is running Android 7, there is a built-in feature to prevent abusive BLE scanning. This change prevents an app from stopping and starting BLE scans more than 5 times in a window of 30 seconds. If this app does not detect any faucet and your phone is running Android 7, just exit the app and restart the app 30 seconds later.

**My faucet is not showing in advertised devices.**

Please be sure your Sloan Optima Control Box has power. To do this, remove the cover with the single screw in the center. Check there are no loose or disconnected wires and ensure the batteries are properly installed. Then repeat the connection process. If you are still experiencing issues, contact Sloan.

**How do I save and load settings?**

Each time you update settings on a faucet, they are stored in the app. If you would like to load the settings from a previous faucet to a new faucet, connect to that faucet and select the “Load Previous Settings”. This will display a dialogue box showing the previous settings. Click “Confirm” to load those settings into the app, then select “Apply Settings To Faucet” button at the bottom of your dashboard.

**Why is the dashboard photo of my faucet not correct?**

Each Sloan faucet type has several images associated with it. Use the left and right arrows to view the different faucet images.

**How can I use the Sloan Connect App to save information about a specific faucet, like its location?**

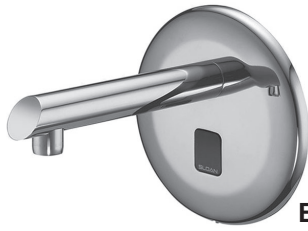
Select the “Notes” option from the main App screen and use this feature to include up to 120 characters worth of information.

When assistance is required, please contact Sloan Technical Support at:

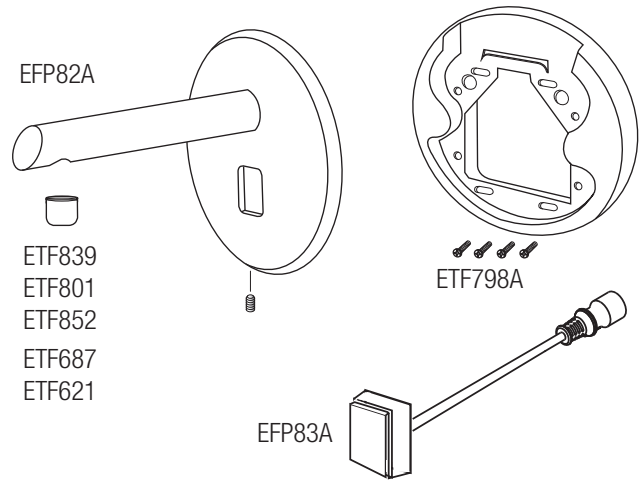
1-888-SLOAN-14 (1-888-756-2614) (USA only) or +1-847-671-4300 (all other locations), or visit [sloan.com](http://sloan.com)

# Optima® EBF-850/ETF-800 Faucets

## Parts & Accessories



**EBF-850** Wall mount, battery  
**ETF-800** Wall mount, hardwired



EFP82A

EFP839

ETF801

ETF852

ETF687

ETF621

ETF798A

EFP83A

### SPOUT ASSEMBLY

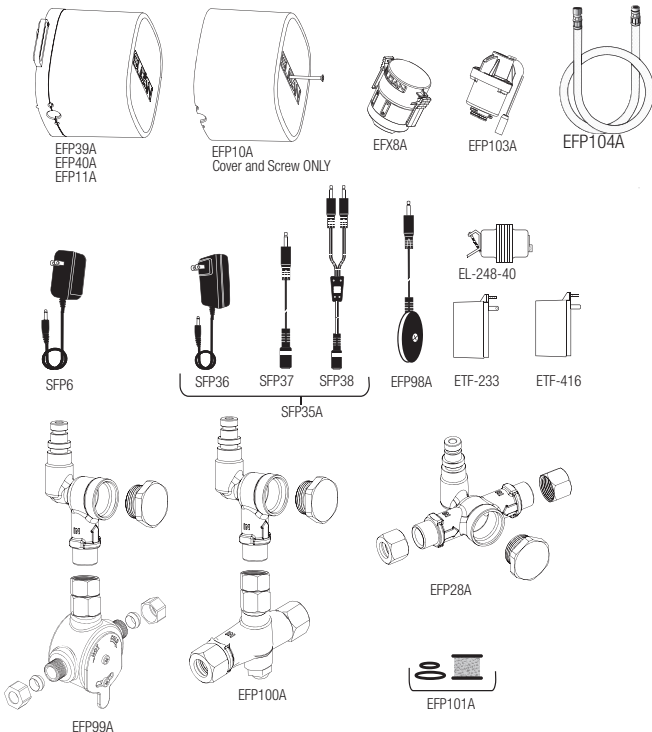
Description	Code No.	Part No.
Spout Assembly ETF-800/EBF-850	0367082	EFP82A
Sensor & Cable Assembly	0367083	EFP83A
Spout Mounting Assembly	0365498PK	ETF798A

### SPRAYHEAD OPTIONS

Description	Type	Code No.	Part No.
0.35 GPM/1.3 Lpm	MLM	0365793	ETF839
0.5 GPM/1.9 Lpm	MLM	0365420	ETF801
1.0 GPM/3.8 Lpm	MLM	0365454	ETF852
1.5 GPM/5.7 Lpm	LAM	0365387	ETF687
2.2 GPM/8.3 Lpm	LAM	0365147	ETF621

### BELOW DECK ASSEMBLIES

Description	Code No.	Part No.
Control Box No Turbine	0367039	EFP39A
Control Box Turbine 0.5 gpm	0367040	EFP40A
Control Box Turbine 1.5 gpm	0367011	EFP11A
Quick Connect Spout Hose 36"	0367104	EFP104A
Control Box Cover w/Screw	0367010	EFP10A
Solenoid Assembly	0367103	EFP103A
Battery Pack	3324113	EFX8A
Double Inlet Tee Filter Assembly	0367028	EFP28A
BDM & Single Inlet Tee Filter Assembly Kit	0367099	EFP99A
BDT & Single Inlet Tee Filter Assembly Kit	0367100	EFP100A
Replacement Filter Pack-(5) Filter (5) Large O-rings (5) Small O-rings	0367101	EFP101A
24 VAC Power Harness Assembly	0367098	EFP98A
110V/6 VDC Power Supply	0362006	SFP6
100-240 VAC/6 VDC Power Supply	0362016	SFP36
120/24 VAC Power Supply	0365534PK	ETF-233
120/24 VAC Power Supply (Canada) Plug-in	0365879	ETF-416
120/24 VAC Power Supply (Box Mount)	0345370PK	EL-248-40
Extension Cable	0362017	SFP37
Splitter Cable	0362018	SFP38
Gang Adapter Kit	0362035	SFP35A
Faucet to Module Ext. Cable*	0367113	EFP-113-A



EFP39A  
EFP40A  
EFP11A

EFP10A  
Cover and Screw ONLY

EFX8A

EFP103A

EFP104A

SFP6

SFP36

SFP37

SFP38

SFP35A

EL-248-40

EFP98A

ETF-233

ETF-416

EFP28A

EFP101A

EFP99A

EFP100A

NOTE: Some parts and accessories must be ordered separately  
 \*Not Shown

## Optima® EBF-850/ETF-800 Faucets

### Parts & Accessories

#### TROUBLESHOOTING INSTRUCTIONS FOR OPTIMA SENSOR ACTIVATED LAVATORY FAUCETS WITH THE NEW OPTIMA CONTROL BOXES AND THE SLOAN CONNECT SMARTPHONE APP.

**NOTE:** To automatically check battery strength, troubleshoot, diagnose and report faucet issues with a wireless device, use the Sloan SmartPhone APP. The APP is available free-of-charge at the Apple iPhone APP store for iOS devices or the Google Play APP store for Android devices. For more information about the APP and its capabilities please visit [sloan.com](http://sloan.com).

#### FAUCET TROUBLESHOOTING GUIDE

##### LED indicator light in the IR (infrared) sensor is red.

- A. Battery power is low.  
Install four (4) new AA sized alkaline batteries. Check that the orientation of each battery matches the positive (+) and negative (-) symbols shown in the bottom of the battery compartment.  
Re-attach battery compartment to control module. Green LED will illuminate. If the Green LED does not illuminate, remove battery compartment for 10 seconds and return into place.

##### Faucet DOES NOT function.

- A. Batteries not installed or are exhausted.  
Install four (4) AA sized alkaline batteries. Check that the orientation of each battery matches the positive (+) and negative (-) symbols shown in the bottom of the battery compartment. Reattach battery compartment to control module. Green LED will illuminate. If the Green LED does not illuminate, remove battery compartment for 10 seconds and return into place.
- B. Power Cable not installed (Hardwire models).  
Install power cable and check connection.
- C. Sensor Cable not installed.  
Install sensor cable and check connection. Confirm connection guide markings are aligned.
- D. Sensor range is set too short and is not detecting the target.  
Increase sensor detection range.

##### Sensor is activated but faucet DOES NOT deliver water.

- A. Faucet has initiated its adaptive sensing calibration program.  
Wait 60 seconds before activating faucet.
- B. Solenoid Cable not connected.  
Check solenoid cable connection. Confirm connection guide markings are aligned.

##### Sensor Range Requires Manual Adjustment.

Sensor Range is measured in units from 1 to 5, with 1 being closest to the faucet and 5 being farthest from the faucet. The factory default Sensor Range is 3.

- A. To determine what the current Sensor Range setting is, press the red "Sensor" button on the upper right hand corner of the Optima Control Box for 1 second. Five seconds after pressing the button, the green LED beside it will blink to indicate the Sensor Range setting. For example, if it is set at 2, the green LED will blink 2 times.
- B. To adjust the Sensor Range, press and hold the red "Sensor" button for three seconds and release once the green LED comes on to indicate that you are in Sensor Range adjustment mode. Then press the "Sensor" button one second at a time for however many times you wish to increase the range. For example, if the Sensor Range is set at 2 and you wish to increase it to 4, press the "Sensor" button two times for one second each time..
- C. If you wish to decrease the Sensor Range, follow the same procedure to enter into Sensor Range adjustment mode, and then press the "Sensor" button one second at a time. The button is designed to go up to 5 units and then back down to 1 unit. For example, if the Sensor Range is set at 4 and you wish to decrease it to 2, press the "Sensor" button three times for one second each time.
- D. To conform your changes, wait 5 seconds and then press the red "Sensor" button on the upper right hand corner of the Optima Control Box for 1 second. Five seconds after pressing the button, the green LED beside it will blink to indicate the Sensor Range setting. For example, if it is now set at 2, the green LED will blink 2 times.

##### Solenoid produces an audible "CLICK" when an object is placed in the detection zone of the sensor but NO water flows.

- A. Water supply to faucet is not open.  
Open supply stop(s).
- B. Inlet fitting filter is clogged.  
Remove, clean, and reinsert. Replace with EBF1004 solenoid filter kit if necessary.
- C. Aerator or spray head is clogged.  
Remove, clean, and reinsert.

## Optima® EBF-850/ETF-800 Faucets

### Parts & Accessories

**Solenoid valve DOES NOT produce an audible “CLICK” and NO water flows. Green LED illuminates when batteries installed.**

- A. Solenoid valve module is not working properly.  
Replace EFP103A solenoid valve module.

**Faucet delivers only a slow flow or dribble when sensor is activated.**

- A. Water supply valve is partially closed.  
Open the supply stop(s) completely.
- B. Inlet fitting filter is clogged.  
Remove, clean, and reinsert. Replace with EFP101A replacement filter kit if necessary.
- C. Aerator or spray head is clogged.  
Remove, clean, and reinsert.

**Faucet DOES NOT stop delivering water or continues to drip after user is no longer detected (automatic shut-off fails even when batteries are removed).**

- A. Solenoid valve seat is dirty.  
Remove, clean, and reinsert solenoid filter. Activate faucet several times to flush out dirt.
- B. Sensor range is set too long and is detecting the sink or some other object.  
Reduce sensor detection range.
- C. Solenoid valve module is not working properly.  
Replace EFP103A solenoid valve module.

**The water temperature is too hot or too cold on a faucet connected to hot and cold supply lines with inlet filter fitting.**

- A. Supply stops are not adjusted properly.  
Adjust supply stops.

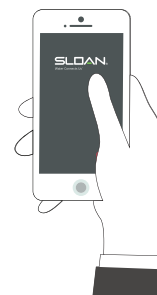
NOTE: For some systems, a thermostatic mixing valve may be required

## SLOAN CONNECT APP FAQs

**How do I connect my faucet to the Sloan mobile app?**

**To connect your faucet to the Sloan mobile App, you must complete the following steps:**

1. Turn on your smartphone's Bluetooth.
2. Open the Sloan mobile app.
3. Complete all Sign In fields and agree to the End User License Agreement and Terms of Use.
4. Activate your faucets Bluetooth transmitter by slowly waving your hand underneath the faucet three (3) times within ten (10) seconds. Note: water will run during this process.
5. When your faucets Bluetooth transmitter is activated, the Sloan mobile app will display your faucet.
6. Select your faucet to confirm and connect to the Sloan mobile app.



**Can I still use my app and faucet if there is no internet connection?**

Yes. The Sloan Connect App and faucet are designed to work in offline mode. All connectivity occurs via Bluetooth, which does not require an internet connection. If your phone is running Android 7, there is a built-in feature to prevent abusive BLE scanning. This change prevents an app from stopping and starting BLE scans more than 5 times in a window of 30 seconds. If this app does not detect any faucet and your phone is running Android 7, just exit the app and restart the app 30 seconds later.

**My faucet is not showing in advertised devices.**

Please be sure your Sloan Optima Control Box has power. To do this, remove the cover with the single screw in the center. Check there are no loose or disconnected wires and ensure the batteries are properly installed. Then repeat the connection process. If you are still experiencing issues, contact Sloan.

**How do I save and load settings?**

Each time you update settings on a faucet, they are stored in the app. If you would like to load the settings from a previous faucet to a new faucet, connect to that faucet and select the “Load Previous Settings”. This will display a dialogue box showing the previous settings. Click “Confirm” to load those settings into the app, then select “Apply Settings To Faucet” button at the bottom of your dashboard.

**Why is the dashboard photo of my faucet not correct?**

Each Sloan faucet type has several images associated with it. Use the left and right arrows to view the different faucet images.

**How can I use the Sloan Connect App to save information about a specific faucet, like its location?**

Select the “Notes” option from the main App screen and use this feature to include up to 120 characters worth of information.

When assistance is required, please contact Sloan Technical Support at:

1-888-SLOAN-14 (1-888-756-2614) (USA only) or +1-847-671-4300 (all other locations), or visit [sloan.com](http://sloan.com)



# Optima® EBF-425/ETF-420 Faucets

## Parts & Accessories

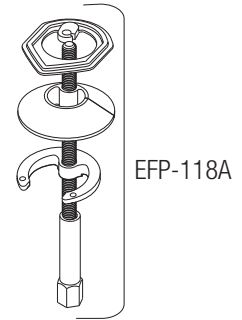
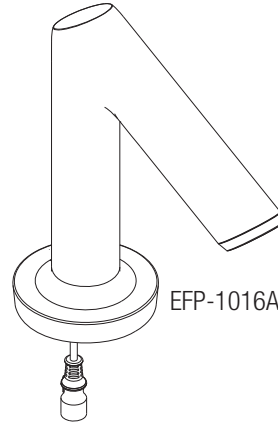


**EBF-425** Deck mount, battery  
**ETF-420** Deck mount, hardwired

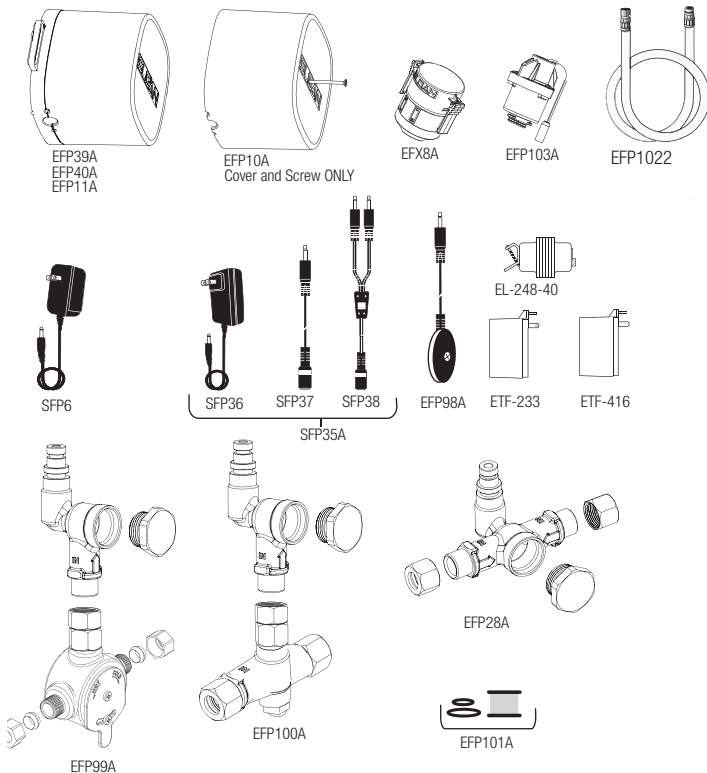
SPOUT ASSEMBLY		
Description	Code No.	Part No.
Spout Assembly EBF-425 /ETF-420	0315301	EFP1016A
Sensor & Cable Assembly	3315382	EFP116A
Sprayhead Carrier Assembly	0315265	EFP-1032A
Spout Mounting Kit	0315273	EFP-118A

TRIMPLATE OPTIONS		
Description	Code No.	Part No.
4"	3365468	ETF312A
8"	3365024	ETF510A

SPRAYHEAD OPTIONS			
Description	Type	Code No.	Part No.
0.35 GPM/1.3 Lpm	MLM	3362005	EFP119
0.5 GPM/1.9 Lpm	MLM	3362001	EFP120



BELOW DECK ASSEMBLIES		
Description	Code No	Part No.
Control Box No Turbine	0367039	EFP39A
Control Box Turbine 0.5 gpm	0367040	EFP40A
Control Box Turbine 1.5 gpm	0367011	EFP11A
Quick Connect Spout Hose 24"	0315251	EFP1022
Control Box Cover w/Screw	0367010	EFP10A
Solenoid Assembly	0367103	EFP103A
Battery Pack	3324113	EFX8A
Double Inlet Tee Filter Assembly	0367028	EFP28A
BDM & Single Inlet Tee Filter Assembly Kit	0367099	EFP99A
BDT & Single Inlet Tee Filter Assembly Kit	0367100	EFP100A
Replacement Filter Pack-(5) Filter (5) Large O-rings (5) Small O-rings	0367101	EFP101A
24 VAC Power Harness Assembly	0367098	EFP98A
110V/6 VDC Power Supply	0362006	SFP6
100-240 VAC/6 VDC Power Supply	0362016	SFP36
120/24 VAC Power Supply	0365534PK	ETF-233
120/24 VAC Power Supply (Canada) Plug-in	0365879	ETF-416
120/24 VAC Power Supply (Box Mount)	0345370PK	EL-248-40
Extension Cable	0362017	SFP37
Splitter Cable	0362018	SFP38
Gang Adapter Kit	0362035	SFP35A
Faucet to Module Ext. Cable*	0367113	EFP-113-A



NOTE: Some parts and accessories must be ordered separately \* not shown

## Optima® EBF-425/ETF-420 Faucets

### Parts & Accessories

#### TROUBLESHOOTING INSTRUCTIONS FOR OPTIMA SENSOR ACTIVATED LAVATORY FAUCETS WITH THE NEW OPTIMA CONTROL BOXES AND THE SLOAN CONNECT SMARTPHONE APP.

**NOTE:** To automatically check battery strength, troubleshoot, diagnose and report faucet issues with a wireless device, use the Sloan SmartPhone APP. The APP is available free-of-charge at the Apple iPhone APP store for iOS devices or the Google Play APP store for Android devices. For more information about the APP and its capabilities please visit Sloan.com.

#### FAUCET TROUBLESHOOTING GUIDE

##### LED indicator light in the IR (infrared) sensor is red.

- A. Battery power is low.  
Install four (4) new AA sized alkaline batteries. Check that the orientation of each battery matches the positive (+) and negative (-) symbols shown in the bottom of the battery compartment.  
Re-attach battery compartment to control module. Green LED will illuminate. If the Green LED does not illuminate, remove battery compartment for 10 seconds and return into place.

##### Faucet DOES NOT function.

- A. Batteries not installed or are exhausted.  
Install four (4) AA sized alkaline batteries. Check that the orientation of each battery matches the positive (+) and negative (-) symbols shown in the bottom of the battery compartment. Reattach battery compartment to control module. Green LED will illuminate. If the Green LED does not illuminate, remove battery compartment for 10 seconds and return into place.
- B. Power Cable not installed (Hardwire models).  
Install power cable and check connection.
- C. Sensor Cable not installed.  
Install sensor cable and check connection. Confirm connection guide markings are aligned.
- D. Sensor range is set too short and is not detecting the target.  
Increase sensor detection range.

##### Sensor is activated but faucet DOES NOT deliver water.

- A. Faucet has initiated its adaptive sensing calibration program.  
Wait 60 seconds before activating faucet.
- B. Solenoid Cable not connected.  
Check solenoid cable connection. Confirm connection guide markings are aligned.

##### Sensor Range Requires Manual Adjustment.

Sensor Range is measured in units from 1 to 5, with 1 being closest to the faucet and 5 being farthest from the faucet. The factory default Sensor Range is 3.

- A. To determine what the current Sensor Range setting is, press the red "Sensor" button on the upper right hand corner of the Optima Control Box for 1 second. Five seconds after pressing the button, the green LED beside it will blink to indicate the Sensor Range setting. For example, if it is set at 2, the green LED will blink 2 times.
- B. To adjust the Sensor Range, press and hold the red "Sensor" button for three seconds and release once the green LED comes on to indicate that you are in Sensor Range adjustment mode. Then press the "Sensor" button one second at a time for however many times you wish to increase the range. For example, if the Sensor Range is set at 2 and you wish to increase it to 4, press the "Sensor" button two times for one second each time..
- C. If you wish to decrease the Sensor Range, follow the same procedure to enter into Sensor Range adjustment mode, and then press the "Sensor" button one second at a time. The button is designed to go up to 5 units and then back down to 1 unit. For example, if the Sensor Range is set at 4 and you wish to decrease it to 2, press the "Sensor" button three times for one second each time.
- D. To conform your changes, wait 5 seconds and then press the red "Sensor" button on the upper right hand corner of the Optima Control Box for 1 second. Five seconds after pressing the button, the green LED beside it will blink to indicate the Sensor Range setting. For example, if it is now set at 2, the green LED will blink 2 times.

##### Solenoid produces an audible "CLICK" when an object is placed in the detection zone of the sensor but NO water flows.

- A. Water supply to faucet is not open.  
Open supply stop(s).
- B. Inlet fitting filter is clogged.  
Remove, clean, and reinsert. Replace with EBF1004 solenoid filter kit if necessary.
- C. Aerator or spray head is clogged.  
Remove, clean, and reinsert.

## Optima® EBF-425/ETF-420 Faucets

### Parts & Accessories

**Solenoid valve DOES NOT produce an audible “CLICK” and NO water flows. Green LED illuminates when batteries installed.**

- A. Solenoid valve module is not working properly.  
Replace EFP103A solenoid valve module.

**Faucet delivers only a slow flow or dribble when sensor is activated.**

- A. Water supply valve is partially closed.  
Open the supply stop(s) completely.
- B. Inlet fitting filter is clogged.  
Remove, clean, and reinsert. Replace with EFP101A replacement filter kit if necessary.
- C. Aerator or spray head is clogged.  
Remove, clean, and reinsert.

**Faucet DOES NOT stop delivering water or continues to drip after user is no longer detected (automatic shut-off fails even when batteries are removed).**

- A. Solenoid valve seat is dirty.  
Remove, clean, and reinsert solenoid filter. Activate faucet several times to flush out dirt.
- B. Sensor range is set too long and is detecting the sink or some other object.  
Reduce sensor detection range.
- C. Solenoid valve module is not working properly.  
Replace EFP103A solenoid valve module.

**The water temperature is too hot or too cold on a faucet connected to hot and cold supply lines with inlet filter fitting.**

- A. Supply stops are not adjusted properly.  
Adjust supply stops.

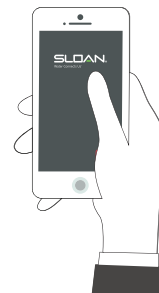
NOTE: For some systems, a thermostatic mixing valve may be required

## SLOAN CONNECT APP FAQs

**How do I connect my faucet to the Sloan mobile app?**

**To connect your faucet to the Sloan mobile App, you must complete the following steps:**

1. Turn on your smartphone's Bluetooth.
2. Open the Sloan mobile app.
3. Complete all Sign In fields and agree to the End User License Agreement and Terms of Use.
4. Activate your faucets Bluetooth transmitter by slowly waving your hand underneath the faucet three (3) times within ten (10) seconds. Note: water will run during this process.
5. When your faucets Bluetooth transmitter is activated, the Sloan mobile app will display your faucet.
6. Select your faucet to confirm and connect to the Sloan mobile app.



**Can I still use my app and faucet if there is no internet connection?**

Yes. The Sloan Connect App and faucet are designed to work in offline mode. All connectivity occurs via Bluetooth, which does not require an internet connection. If your phone is running Android 7, there is a built-in feature to prevent abusive BLE scanning. This change prevents an app from stopping and starting BLE scans more than 5 times in a window of 30 seconds. If this app does not detect any faucet and your phone is running Android 7, just exit the app and restart the app 30 seconds later.

**My faucet is not showing in advertised devices.**

Please be sure your Sloan Optima Control Box has power. To do this, remove the cover with the single screw in the center. Check there are no loose or disconnected wires and ensure the batteries are properly installed. Then repeat the connection process. If you are still experiencing issues, contact Sloan.

**How do I save and load settings?**

Each time you update settings on a faucet, they are stored in the app. If you would like to load the settings from a previous faucet to a new faucet, connect to that faucet and select the “Load Previous Settings”. This will display a dialogue box showing the previous settings. Click “Confirm” to load those settings into the app, then select “Apply Settings To Faucet” button at the bottom of your dashboard.

**Why is the dashboard photo of my faucet not correct?**

Each Sloan faucet type has several images associated with it. Use the left and right arrows to view the different faucet images.

**How can I use the Sloan Connect App to save information about a specific faucet, like its location?**

Select the “Notes” option from the main App screen and use this feature to include up to 120 characters worth of information.

When assistance is required, please contact Sloan Technical Support at:

1-888-SLOAN-14 (1-888-756-2614) (USA only) or +1-847-671-4300 (all other locations), or visit [sloan.com](http://sloan.com)

# Optima® EBF-415/ETF-410 Faucets

## Parts & Accessories



**EBF-415** Deck mount, battery  
**ETF-410** Deck mount, hardwired

### SPOUT ASSEMBLY

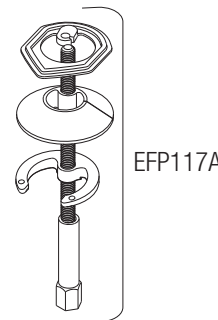
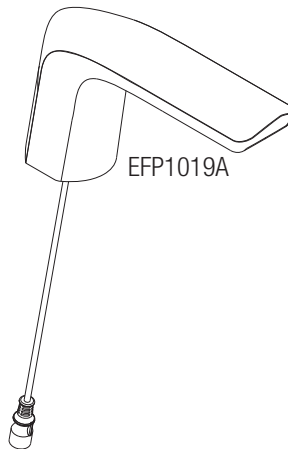
Description	Code No.	Part No.
Spout Assembly EBF-415/ETF-410	0315250	EFP1019A
Sensor & Cable Assembly	3315431	EFP114A
Spout Mounting Kit	0315311	EFP117A

### TRIMPLATE OPTIONS

Description	Code No.	Part No.
4"	3365468	ETF312A
8"	3365024	ETF510A

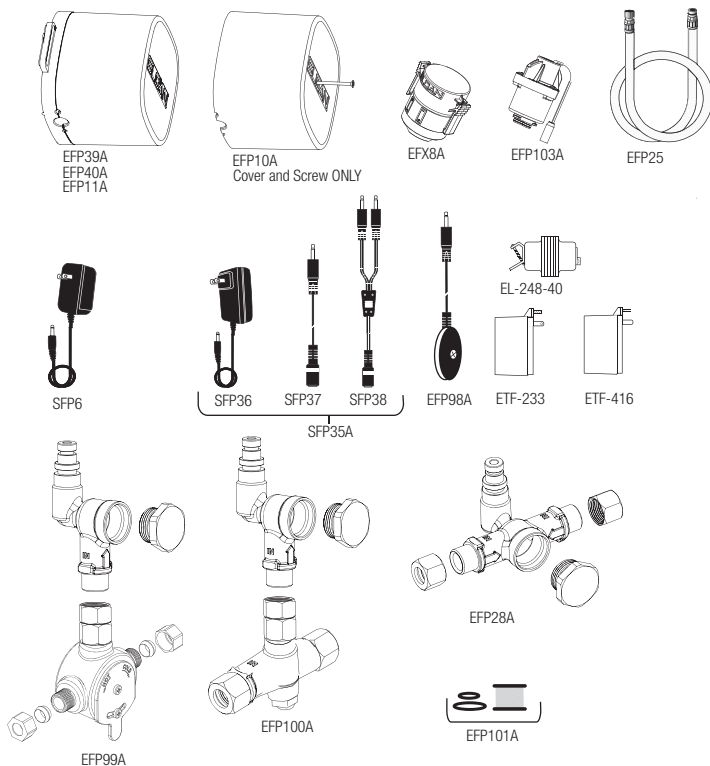
### SPRAYHEAD OPTIONS

Description	Type	Code No.	Part No.
0.35 GPM/1.3 Lpm	MLM	3362005	EFP119
0.5 GPM/1.9 Lpm	MLM	3362001	EFP120



### BELOW DECK ASSEMBLIES

Description	Code No.	Part No.
Control Box No Turbine	0367039	EFP39A
Control Box Turbine 0.5 gpm	0367040	EFP40A
Control Box Turbine 1.5 gpm	0367011	EFP11A
Quick Connect Spout Hose 24"	0367025	EFP25
Control Box Cover w/Screw	0367010	EFP10A
Solenoid Assembly	0367103	EFP103A
Battery Pack	3324113	EFX8A
Double Inlet Tee Filter Assembly	0367028	EFP28A
BDM & Single Inlet Tee Filter Assembly Kit	0367099	EFP99A
BDT & Single Inlet Tee Filter Assembly Kit	0367100	EFP100A
Replacement Filter Pack-(5) Filter (5) Large O-rings (5) Small O-rings	0367101	EFP101A
24 VAC Power Harness Assembly	0367098	EFP98A
110V/6 VDC Power Supply	0362006	SFP6
100-240 VAC/6 VDC Power Supply	0362016	SFP36
120/24 VAC Power Supply	0365534PK	ETF-233
120/24 VAC Power Supply (Canada) Plug-in	0365879	ETF-416
120/24 VAC Power Supply (Box Mount)	0345370PK	EL-248-40
Extension Cable	0362017	SFP37
Splitter Cable	0362018	SFP38
Gang Adapter Kit	0362035	SFP35A
Faucet to Module Ext. Cable*	0367113	EFP-113-A



NOTE: Some parts and accessories must be ordered separately  
 \* not shown

## Optima® EBF-415/ETF-410 Faucets

### Parts & Accessories

#### TROUBLESHOOTING INSTRUCTIONS FOR OPTIMA SENSOR ACTIVATED LAVATORY FAUCETS WITH THE NEW OPTIMA CONTROL BOXES AND THE SLOAN CONNECT SMARTPHONE APP.

**NOTE:** To automatically check battery strength, troubleshoot, diagnose and report faucet issues with a wireless device, use the Sloan SmartPhone APP. The APP is available free-of-charge at the Apple iPhone APP store for iOS devices or the Google Play APP store for Android devices. For more information about the APP and its capabilities please visit Sloan.com.

#### FAUCET TROUBLESHOOTING GUIDE

##### LED indicator light in the IR (infrared) sensor is red.

- A. Battery power is low.  
Install four (4) new AA sized alkaline batteries. Check that the orientation of each battery matches the positive (+) and negative (-) symbols shown in the bottom of the battery compartment.  
Re-attach battery compartment to control module. Green LED will illuminate. If the Green LED does not illuminate, remove battery compartment for 10 seconds and return into place.

##### Faucet DOES NOT function.

- A. Batteries not installed or are exhausted.  
Install four (4) AA sized alkaline batteries. Check that the orientation of each battery matches the positive (+) and negative (-) symbols shown in the bottom of the battery compartment. Reattach battery compartment to control module. Green LED will illuminate. If the Green LED does not illuminate, remove battery compartment for 10 seconds and return into place.
- B. Power Cable not installed (Hardwire models).  
Install power cable and check connection.
- C. Sensor Cable not installed.  
Install sensor cable and check connection. Confirm connection guide markings are aligned.
- D. Sensor range is set too short and is not detecting the target.  
Increase sensor detection range.

##### Sensor is activated but faucet DOES NOT deliver water.

- A. Faucet has initiated its adaptive sensing calibration program.  
Wait 60 seconds before activating faucet.
- B. Solenoid Cable not connected.  
Check solenoid cable connection. Confirm connection guide markings are aligned.

##### Sensor Range Requires Manual Adjustment.

Sensor Range is measured in units from 1 to 5, with 1 being closest to the faucet and 5 being farthest from the faucet. The factory default Sensor Range is 3.

- A. To determine what the current Sensor Range setting is, press the red "Sensor" button on the upper right hand corner of the Optima Control Box for 1 second. Five seconds after pressing the button, the green LED beside it will blink to indicate the Sensor Range setting. For example, if it is set at 2, the green LED will blink 2 times.
- B. To adjust the Sensor Range, press and hold the red "Sensor" button for three seconds and release once the green LED comes on to indicate that you are in Sensor Range adjustment mode. Then press the "Sensor" button one second at a time for however many times you wish to increase the range. For example, if the Sensor Range is set at 2 and you wish to increase it to 4, press the "Sensor" button two times for one second each time..
- C. If you wish to decrease the Sensor Range, follow the same procedure to enter into Sensor Range adjustment mode, and then press the "Sensor" button one second at a time. The button is designed to go up to 5 units and then back down to 1 unit. For example, if the Sensor Range is set at 4 and you wish to decrease it to 2, press the "Sensor" button three times for one second each time.
- D. To conform your changes, wait 5 seconds and then press the red "Sensor" button on the upper right hand corner of the Optima Control Box for 1 second. Five seconds after pressing the button, the green LED beside it will blink to indicate the Sensor Range setting. For example, if it is now set at 2, the green LED will blink 2 times.

##### Solenoid produces an audible "CLICK" when an object is placed in the detection zone of the sensor but NO water flows.

- A. Water supply to faucet is not open.  
Open supply stop(s).
- B. Inlet fitting filter is clogged.  
Remove, clean, and reinsert. Replace with EBF1004 solenoid filter kit if necessary.
- C. Aerator or spray head is clogged.  
Remove, clean, and reinsert.

## Optima® EBF-415/ETF-410 Faucets Parts & Accessories

### Solenoid valve DOES NOT produce an audible “CLICK” and NO water flows. Green LED illuminates when batteries installed.

- A. Solenoid valve module is not working properly.  
Replace EFP103A solenoid valve module.

### Faucet delivers only a slow flow or dribble when sensor is activated.

- A. Water supply valve is partially closed.  
Open the supply stop(s) completely.
- B. Inlet fitting filter is clogged.  
Remove, clean, and reinsert. Replace with EFP101A replacement filter kit if necessary.
- C. Aerator or spray head is clogged.  
Remove, clean, and reinsert.

### Faucet DOES NOT stop delivering water or continues to drip after user is no longer detected (automatic shut-off fails even when batteries are removed).

- A. Solenoid valve seat is dirty.  
Remove, clean, and reinsert solenoid filter. Activate faucet several times to flush out dirt.
- B. Sensor range is set too long and is detecting the sink or some other object.  
Reduce sensor detection range.
- C. Solenoid valve module is not working properly.  
Replace EFP103A solenoid valve module.

### The water temperature is too hot or too cold on a faucet connected to hot and cold supply lines with inlet filter fitting.

- A. Supply stops are not adjusted properly.  
Adjust supply stops.

NOTE: For some systems, a thermostatic mixing valve may be required

## SLOAN CONNECT APP FAQs

### How do I connect my faucet to the Sloan mobile app?

#### To connect your faucet to the Sloan mobile App, you must complete the following steps:

1. Turn on your smartphone's Bluetooth.
2. Open the Sloan mobile app.
3. Complete all Sign In fields and agree to the End User License Agreement and Terms of Use.
4. Activate your faucets Bluetooth transmitter by slowly waving your hand underneath the faucet three (3) times within ten (10) seconds. Note: water will run during this process.
5. When your faucets Bluetooth transmitter is activated, the Sloan mobile app will display your faucet.
6. Select your faucet to confirm and connect to the Sloan mobile app.



### Can I still use my app and faucet if there is no internet connection?

Yes. The Sloan Connect App and faucet are designed to work in offline mode. All connectivity occurs via Bluetooth, which does not require an internet connection. If your phone is running Android 7, there is a built-in feature to prevent abusive BLE scanning. This change prevents an app from stopping and starting BLE scans more than 5 times in a window of 30 seconds. If this app does not detect any faucet and your phone is running Android 7, just exit the app and restart the app 30 seconds later.

### My faucet is not showing in advertised devices.

Please be sure your Sloan Optima Control Box has power. To do this, remove the cover with the single screw in the center. Check there are no loose or disconnected wires and ensure the batteries are properly installed. Then repeat the connection process. If you are still experiencing issues, contact Sloan.

### How do I save and load settings?

Each time you update settings on a faucet, they are stored in the app. If you would like to load the settings from a previous faucet to a new faucet, connect to that faucet and select the “Load Previous Settings”. This will display a dialogue box showing the previous settings. Click “Confirm” to load those settings into the app, then select “Apply Settings To Faucet” button at the bottom of your dashboard.

### Why is the dashboard photo of my faucet not correct?

Each Sloan faucet type has several images associated with it. Use the left and right arrows to view the different faucet images.

### How can I use the Sloan Connect App to save information about a specific faucet, like its location?

Select the “Notes” option from the main App screen and use this feature to include up to 120 characters worth of information.

When assistance is required, please contact Sloan Technical Support at:

1-888-SLOAN-14 (1-888-756-2614) (USA only) or +1-847-671-4300 (all other locations), or visit [sloan.com](http://sloan.com)



# Optima® EBF-815/ETF-810 Faucets

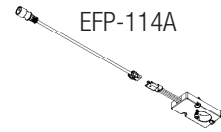
## Parts & Accessories



**EBF-815** Wall mount, battery  
**ETF-810** Wall mount, hardwired



Spout Assembly  
 EFP-122A

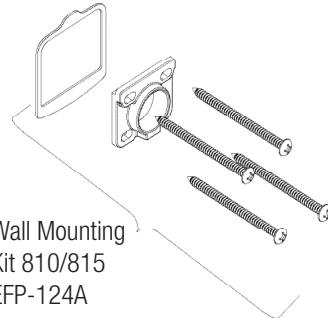


EFP-114A

SPOUT ASSEMBLY			
Description	Code No.	Part No.	
Spout Assembly EBF-815 /ETF-810	03150019	EFP-122A	
Wall Mounting Kit 815/810	33620004	EFP-124A	
Sensor and Cable Assembly	3315431	EFP-114A	

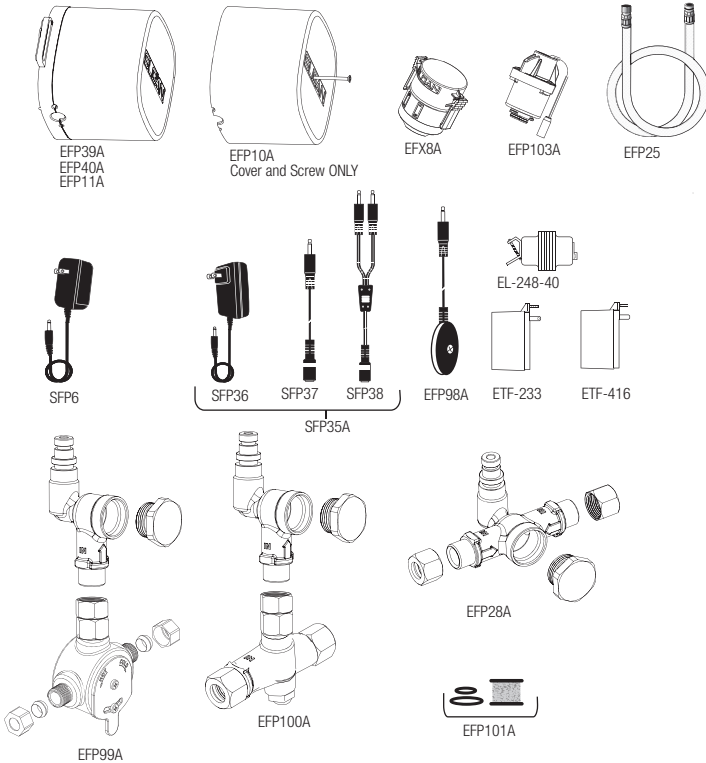
  

SPRAYHEAD OPTIONS			
Description	Type	Code No.	Part No.
0.35 GPM/1.3 Lpm	MLM	3362005	EFP119
0.5 GPM/1.9 Lpm	MLM	3362001	EFP120



Wall Mounting  
 Kit 810/815  
 EFP-124A

Description	Code No.	Part No.
Control Box No Turbine	0367039	EFP39A
Control Box Turbine 0.5 gpm	0367040	EFP40A
Control Box Turbine 1.5 gpm	0367011	EFP11A
Quick Connect Spout Hose 36"	0315251	EFP1022
Control Box Cover w/Screw	0367010	EFP10A
Solenoid Assembly	0367103	EFP103A
Battery Pack	3324113	EFX8A
Double Inlet Tee Filter Assembly	0367028	EFP28A
BDM & Single Inlet Tee Filter Assembly Kit	0367099	EFP99A
BDT & Single Inlet Tee Filter Assembly Kit	0367100	EFP100A
Replacement Filter Pack-(5) Filter (5) Large O-rings (5) Small O-rings	0367101	EFP101A
24 VAC Power Harness Assembly	0367098	EFP98A
110V/6 VDC Power Supply	0362006	SFP6
100-240 VAC/6 VDC Power Supply	0362016	SFP36
120/24 VAC Power Supply	0365534PK	ETF-233
120/24 VAC Power Supply (Canada) Plug-in	0365879	ETF-416
120/24 VAC Power Supply (Box Mount)	0345370PK	EL-248-40
Extension Cable	0362017	SFP37
Splitter Cable	0362018	SFP38
Gang Adapter Kit	0362035	SFP35A
Faucet to Module Ext. Cable*	0367113	EFP-113-A



EFP39A  
 EFP40A  
 EFP11A

EFP10A  
 Cover and Screw ONLY

EFX8A

EFP103A

EFP25

SFP6

SFP36

SFP37

SFP38

SFP35A

EFP98A

EL-248-40

ETF-233

ETF-416

EFP28A

EFP100A

EFP101A

EFP99A

NOTE: Some parts and accessories must be ordered separately  
 \* not shown

## Optima® EBF-815/ETF-810 Faucets

### Parts & Accessories

#### TROUBLESHOOTING INSTRUCTIONS FOR OPTIMA SENSOR ACTIVATED LAVATORY FAUCETS WITH THE NEW OPTIMA CONTROL BOXES AND THE SLOAN CONNECT SMARTPHONE APP.

**NOTE:** To automatically check battery strength, troubleshoot, diagnose and report faucet issues with a wireless device, use the Sloan SmartPhone APP. The APP is available free-of-charge at the Apple iPhone APP store for iOS devices or the Google Play APP store for Android devices. For more information about the APP and its capabilities please visit Sloan.com.

#### FAUCET TROUBLESHOOTING GUIDE

##### LED indicator light in the IR (infrared) sensor is red.

- A. Battery power is low.  
Install four (4) new AA sized alkaline batteries. Check that the orientation of each battery matches the positive (+) and negative (-) symbols shown in the bottom of the battery compartment.  
Re-attach battery compartment to control module. Green LED will illuminate. If the Green LED does not illuminate, remove battery compartment for 10 seconds and return into place.

##### Faucet DOES NOT function.

- A. Batteries not installed or are exhausted.  
Install four (4) AA sized alkaline batteries. Check that the orientation of each battery matches the positive (+) and negative (-) symbols shown in the bottom of the battery compartment. Reattach battery compartment to control module. Green LED will illuminate. If the Green LED does not illuminate, remove battery compartment for 10 seconds and return into place.
- B. Power Cable not installed (Hardwire models).  
Install power cable and check connection.
- C. Sensor Cable not installed.  
Install sensor cable and check connection. Confirm connection guide markings are aligned.
- D. Sensor range is set too short and is not detecting the target.  
Increase sensor detection range.

##### Sensor is activated but faucet DOES NOT deliver water.

- A. Faucet has initiated its adaptive sensing calibration program.  
Wait 60 seconds before activating faucet.
- B. Solenoid Cable not connected.  
Check solenoid cable connection. Confirm connection guide markings are aligned.

##### Sensor Range Requires Manual Adjustment.

Sensor Range is measured in units from 1 to 5, with 1 being closest to the faucet and 5 being farthest from the faucet. The factory default Sensor Range is 3.

- A. To determine what the current Sensor Range setting is, press the red "Sensor" button on the upper right hand corner of the Optima Control Box for 1 second. Five seconds after pressing the button, the green LED beside it will blink to indicate the Sensor Range setting. For example, if it is set at 2, the green LED will blink 2 times.
- B. To adjust the Sensor Range, press and hold the red "Sensor" button for three seconds and release once the green LED comes on to indicate that you are in Sensor Range adjustment mode. Then press the "Sensor" button one second at a time for however many times you wish to increase the range. For example, if the Sensor Range is set at 2 and you wish to increase it to 4, press the "Sensor" button two times for one second each time..
- C. If you wish to decrease the Sensor Range, follow the same procedure to enter into Sensor Range adjustment mode, and then press the "Sensor" button one second at a time. The button is designed to go up to 5 units and then back down to 1 unit. For example, if the Sensor Range is set at 4 and you wish to decrease it to 2, press the "Sensor" button three times for one second each time.
- D. To conform your changes, wait 5 seconds and then press the red "Sensor" button on the upper right hand corner of the Optima Control Box for 1 second. Five seconds after pressing the button, the green LED beside it will blink to indicate the Sensor Range setting. For example, if it is now set at 2, the green LED will blink 2 times.

##### Solenoid produces an audible "CLICK" when an object is placed in the detection zone of the sensor but NO water flows.

- A. Water supply to faucet is not open.  
Open supply stop(s).
- B. Inlet fitting filter is clogged.  
Remove, clean, and reinsert. Replace with EBF1004 solenoid filter kit if necessary.
- C. Aerator or spray head is clogged.  
Remove, clean, and reinsert.

## Optima® EBF-815/ETF-810 Faucets

### Parts & Accessories

**Solenoid valve DOES NOT produce an audible “CLICK” and NO water flows. Green LED illuminates when batteries installed.**

- A. Solenoid valve module is not working properly.  
Replace EFP103A solenoid valve module.

**Faucet delivers only a slow flow or dribble when sensor is activated.**

- A. Water supply valve is partially closed.  
Open the supply stop(s) completely.
- B. Inlet fitting filter is clogged.  
Remove, clean, and reinsert. Replace with EFP101A replacement filter kit if necessary.
- C. Aerator or spray head is clogged.  
Remove, clean, and reinsert.

**Faucet DOES NOT stop delivering water or continues to drip after user is no longer detected (automatic shut-off fails even when batteries are removed).**

- A. Solenoid valve seat is dirty.  
Remove, clean, and reinsert solenoid filter. Activate faucet several times to flush out dirt.
- B. Sensor range is set too long and is detecting the sink or some other object.  
Reduce sensor detection range.
- C. Solenoid valve module is not working properly.  
Replace EFP103A solenoid valve module.

**The water temperature is too hot or too cold on a faucet connected to hot and cold supply lines with inlet filter fitting.**

- A. Supply stops are not adjusted properly.  
Adjust supply stops.

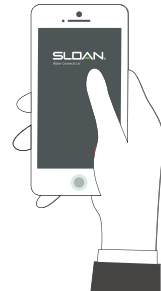
NOTE: For some systems, a thermostatic mixing valve may be required

## SLOAN CONNECT APP FAQs

**How do I connect my faucet to the Sloan mobile app?**

**To connect your faucet to the Sloan mobile App, you must complete the following steps:**

1. Turn on your smartphone's Bluetooth.
2. Open the Sloan mobile app.
3. Complete all Sign In fields and agree to the End User License Agreement and Terms of Use.
4. Activate your faucets Bluetooth transmitter by slowly waving your hand underneath the faucet three (3) times within ten (10) seconds. Note: water will run during this process.
5. When your faucets Bluetooth transmitter is activated, the Sloan mobile app will display your faucet.
6. Select your faucet to confirm and connect to the Sloan mobile app.



**Can I still use my app and faucet if there is no internet connection?**

Yes. The Sloan Connect App and faucet are designed to work in offline mode. All connectivity occurs via Bluetooth, which does not require an internet connection. If your phone is running Android 7, there is a built-in feature to prevent abusive BLE scanning. This change prevents an app from stopping and starting BLE scans more than 5 times in a window of 30 seconds. If this app does not detect any faucet and your phone is running Android 7, just exit the app and restart the app 30 seconds later.

**My faucet is not showing in advertised devices.**

Please be sure your Sloan Optima Control Box has power. To do this, remove the cover with the single screw in the center. Check there are no loose or disconnected wires and ensure the batteries are properly installed. Then repeat the connection process. If you are still experiencing issues, contact Sloan.

**How do I save and load settings?**

Each time you update settings on a faucet, they are stored in the app. If you would like to load the settings from a previous faucet to a new faucet, connect to that faucet and select the “Load Previous Settings”. This will display a dialogue box showing the previous settings. Click “Confirm” to load those settings into the app, then select “Apply Settings To Faucet” button at the bottom of your dashboard.

**Why is the dashboard photo of my faucet not correct?**

Each Sloan faucet type has several images associated with it. Use the left and right arrows to view the different faucet images.

**How can I use the Sloan Connect App to save information about a specific faucet, like its location?**

Select the “Notes” option from the main App screen and use this feature to include up to 120 characters worth of information.

When assistance is required, please contact Sloan Technical Support at:

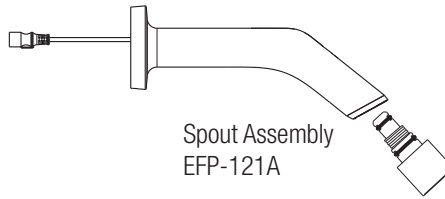
1-888-SLOAN-14 (1-888-756-2614) (USA only) or +1-847-671-4300 (all other locations), or visit [sloan.com](http://sloan.com)

# Optima® EBF-825/ETF-820 Faucets

## Parts & Accessories



**EBF-825** Wall mount, battery  
**ETF-820** Wall mount, hardwired

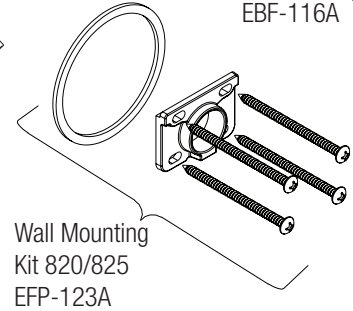


Spout Assembly  
EFP-121A

Spray Head  
Carrier  
EFP-1032A



EBF-116A



Wall Mounting  
Kit 820/825  
EFP-123A

### SPOUT ASSEMBLY

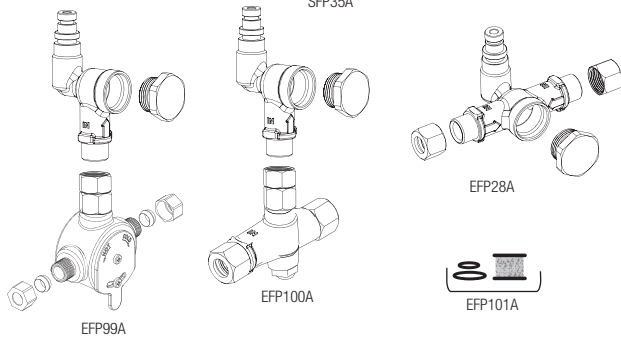
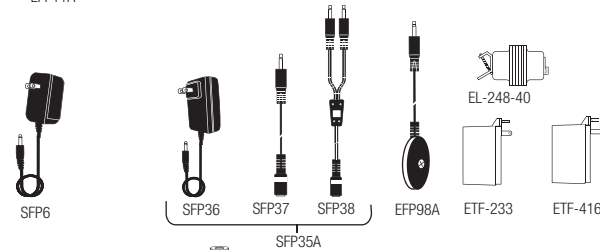
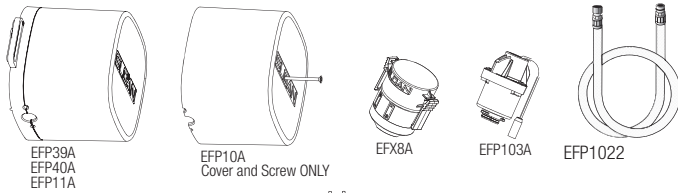
Description	Code No.	Part No.
Spout Assembly EBF-825 /ETF-820	03150015	EFP-121A
Sprayhead Carrier Assembly CP	0315265	EFP-1032A
Wall Mounting Kit 825/820	33620005	EFP-123A
Sensor and Cable Assembly	3315382	EBF-116A

### SPRAYHEAD OPTIONS

Description	Type	Code No.	Part No.
0.35 GPM/1.3 Lpm	MLM	3362005	EFP119
0.5 GPM/1.9 Lpm	MLM	3362001	EFP120

### BELOW DECK ASSEMBLIES

Description	Code No.	Part No.
Control Box No Turbine	0367039	EFP39A
Control Box Turbine 0.5 gpm	0367040	EFP40A
Control Box Turbine 1.5 gpm	0367011	EFP11A
Quick Connect Spout Hose 36"	0315251	EFP1022
Control Box Cover w/Screw	0367010	EFP10A
Solenoid Assembly	0367103	EFP103A
Battery Pack	3324113	EFX8A
Double Inlet Tee Filter Assembly	0367028	EFP28A
BDM & Single Inlet Tee Filter Assembly Kit	0367099	EFP99A
BDT & Single Inlet Tee Filter Assembly Kit	0367100	EFP100A
Replacement Filter Pack-(5) Filter (5) Large O-rings (5) Small O-rings	0367101	EFP101A
24 VAC Power Harness Assembly	0367098	EFP98A
110V/6 VDC Power Supply	0362006	SFP6
100-240 VAC/6 VDC Power Supply	0362016	SFP36
120/24 VAC Power Supply	0365534PK	ETF-233
120/24 VAC Power Supply (Canada) Plug-in	0365879	ETF-416
120/24 VAC Power Supply (Box Mount)	0345370PK	EL-248-40
Extension Cable	0362017	SFP37
Splitter Cable	0362018	SFP38
Gang Adapter Kit	0362035	SFP35A
Faucet to Module Ext. Cable*	0367113	EFP-113-A



## Optima® EBF-825/ETF-820 Faucets

### Parts & Accessories

#### TROUBLESHOOTING INSTRUCTIONS FOR OPTIMA SENSOR ACTIVATED LAVATORY FAUCETS WITH THE NEW OPTIMA CONTROL BOXES AND THE SLOAN CONNECT SMARTPHONE APP.

**NOTE:** To automatically check battery strength, troubleshoot, diagnose and report faucet issues with a wireless device, use the Sloan SmartPhone APP. The APP is available free-of-charge at the Apple iPhone APP store for iOS devices or the Google Play APP store for Android devices. For more information about the APP and its capabilities please visit Sloan.com.

#### FAUCET TROUBLESHOOTING GUIDE

##### LED indicator light in the IR (infrared) sensor is red.

- A. Battery power is low.  
Install four (4) new AA sized alkaline batteries. Check that the orientation of each battery matches the positive (+) and negative (-) symbols shown in the bottom of the battery compartment. Re-attach battery compartment to control module. Green LED will illuminate. If the Green LED does not illuminate, remove battery compartment for 10 seconds and return into place.

##### Faucet DOES NOT function.

- A. Batteries not installed or are exhausted.  
Install four (4) AA sized alkaline batteries. Check that the orientation of each battery matches the positive (+) and negative (-) symbols shown in the bottom of the battery compartment. Reattach battery compartment to control module. Green LED will illuminate. If the Green LED does not illuminate, remove battery compartment for 10 seconds and return into place.
- B. Power Cable not installed (Hardwire models).  
Install power cable and check connection.
- C. Sensor Cable not installed.  
Install sensor cable and check connection. Confirm connection guide markings are aligned.
- D. Sensor range is set too short and is not detecting the target.  
Increase sensor detection range.

##### Sensor is activated but faucet DOES NOT deliver water.

- A. Faucet has initiated its adaptive sensing calibration program.  
Wait 60 seconds before activating faucet.
- B. Solenoid Cable not connected.  
Check solenoid cable connection. Confirm connection guide markings are aligned.

##### Sensor Range Requires Manual Adjustment.

Sensor Range is measured in units from 1 to 5, with 1 being closest to the faucet and 5 being farthest from the faucet. The factory default Sensor Range is 3.

- A. To determine what the current Sensor Range setting is, press the red "Sensor" button on the upper right hand corner of the Optima Control Box for 1 second. Five seconds after pressing the button, the green LED beside it will blink to indicate the Sensor Range setting. For example, if it is set at 2, the green LED will blink 2 times.
- B. To adjust the Sensor Range, press and hold the red "Sensor" button for three seconds and release once the green LED comes on to indicate that you are in Sensor Range adjustment mode. Then press the "Sensor" button one second at a time for however many times you wish to increase the range. For example, if the Sensor Range is set at 2 and you wish to increase it to 4, press the "Sensor" button two times for one second each time..
- C. If you wish to decrease the Sensor Range, follow the same procedure to enter into Sensor Range adjustment mode, and then press the "Sensor" button one second at a time. The button is designed to go up to 5 units and then back down to 1 unit. For example, if the Sensor Range is set at 4 and you wish to decrease it to 2, press the "Sensor" button three times for one second each time.
- D. To conform your changes, wait 5 seconds and then press the red "Sensor" button on the upper right hand corner of the Optima Control Box for 1 second. Five seconds after pressing the button, the green LED beside it will blink to indicate the Sensor Range setting. For example, if it is now set at 2, the green LED will blink 2 times.

##### Solenoid produces an audible "CLICK" when an object is placed in the detection zone of the sensor but NO water flows.

- A. Water supply to faucet is not open.  
Open supply stop(s).
- B. Inlet fitting filter is clogged.  
Remove, clean, and reinsert. Replace with EBF1004 solenoid filter kit if necessary.
- C. Aerator or spray head is clogged.  
Remove, clean, and reinsert.

## Optima® EBF-825/ETF-820 Faucets

### Parts & Accessories

**Solenoid valve DOES NOT produce an audible “CLICK” and NO water flows. Green LED illuminates when batteries installed.**

- A. Solenoid valve module is not working properly.  
Replace EFP103A solenoid valve module.

**Faucet delivers only a slow flow or dribble when sensor is activated.**

- A. Water supply valve is partially closed.  
Open the supply stop(s) completely.
- B. Inlet fitting filter is clogged.  
Remove, clean, and reinsert. Replace with EFP101A replacement filter kit if necessary.
- C. Aerator or spray head is clogged.  
Remove, clean, and reinsert.

**Faucet DOES NOT stop delivering water or continues to drip after user is no longer detected (automatic shut-off fails even when batteries are removed).**

- A. Solenoid valve seat is dirty.  
Remove, clean, and reinsert solenoid filter. Activate faucet several times to flush out dirt.
- B. Sensor range is set too long and is detecting the sink or some other object.  
Reduce sensor detection range.
- C. Solenoid valve module is not working properly.  
Replace EFP103A solenoid valve module.

**The water temperature is too hot or too cold on a faucet connected to hot and cold supply lines with inlet filter fitting.**

- A. Supply stops are not adjusted properly.  
Adjust supply stops.

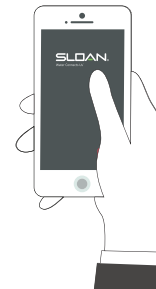
NOTE: For some systems, a thermostatic mixing valve may be required

## SLOAN CONNECT APP FAQs

**How do I connect my faucet to the Sloan mobile app?**

**To connect your faucet to the Sloan mobile App, you must complete the following steps:**

1. Turn on your smartphone's Bluetooth.
2. Open the Sloan mobile app.
3. Complete all Sign In fields and agree to the End User License Agreement and Terms of Use.
4. Activate your faucets Bluetooth transmitter by slowly waving your hand underneath the faucet three (3) times within ten (10) seconds. Note: water will run during this process.
5. When your faucets Bluetooth transmitter is activated, the Sloan mobile app will display your faucet.
6. Select your faucet to confirm and connect to the Sloan mobile app.



**Can I still use my app and faucet if there is no internet connection?**

Yes. The Sloan Connect App and faucet are designed to work in offline mode. All connectivity occurs via Bluetooth, which does not require an internet connection. If your phone is running Android 7, there is a built-in feature to prevent abusive BLE scanning. This change prevents an app from stopping and starting BLE scans more than 5 times in a window of 30 seconds. If this app does not detect any faucet and your phone is running Android 7, just exit the app and restart the app 30 seconds later.

**My faucet is not showing in advertised devices.**

Please be sure your Sloan Optima Control Box has power. To do this, remove the cover with the single screw in the center. Check there are no loose or disconnected wires and ensure the batteries are properly installed. Then repeat the connection process. If you are still experiencing issues, contact Sloan.

**How do I save and load settings?**

Each time you update settings on a faucet, they are stored in the app. If you would like to load the settings from a previous faucet to a new faucet, connect to that faucet and select the “Load Previous Settings”. This will display a dialogue box showing the previous settings. Click “Confirm” to load those settings into the app, then select “Apply Settings To Faucet” button at the bottom of your dashboard.

**Why is the dashboard photo of my faucet not correct?**

Each Sloan faucet type has several images associated with it. Use the left and right arrows to view the different faucet images.

**How can I use the Sloan Connect App to save information about a specific faucet, like its location?**

Select the “Notes” option from the main App screen and use this feature to include up to 120 characters worth of information.

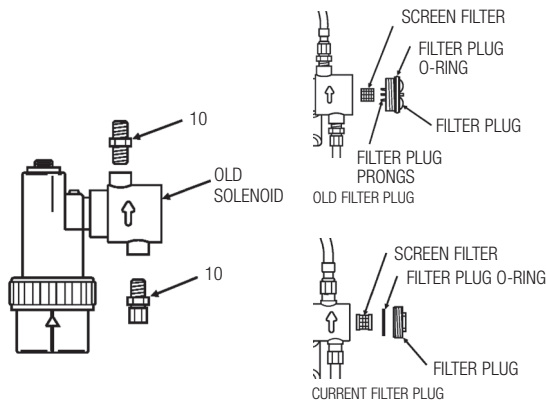
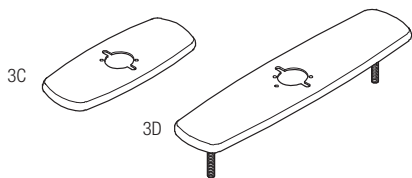
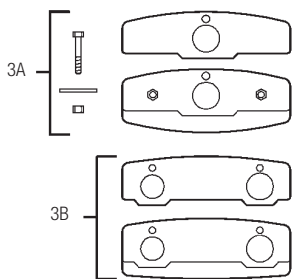
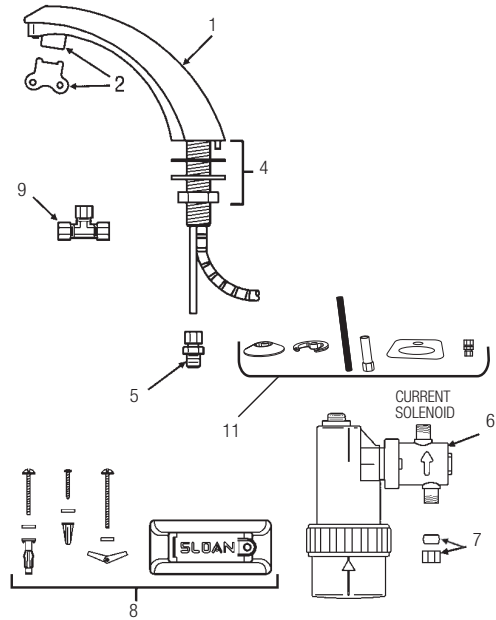
When assistance is required, please contact Sloan Technical Support at:

1-888-SLOAN-14 (1-888-756-2614) (USA only) or +1-847-671-4300 (all other locations), or visit [sloan.com](http://sloan.com)



# OLD Optima® EBF-85/EBF-187 Faucets

(Prior to 8-1-2018)



**PARTS LIST—EBF-85/EBF-187 FAUCET**

Item No.	Code No.	Part No.	Description
1.	3315016	EBF-10-A	Faucet and Sensor Assembly (EBF-85)
	0315112PK	EBF-170-A	Faucet and Sensor Assembly (EBF-187 with CP Metal Throat Plate)
	3315122	EBF-1009-A	Fiber Optic Sensor Cable Assembly Only (replaces EBF-12-A and EBF-179-A includes lens holder)
2.	3365091	ETF-1021-A	0.5 gpm (1.9 Lpm) Spray Head with Key (female thread)
	3365090	ETF-1022-A	2.2 gpm (8.3 Lpm) Aerator Spray Head with Key (female thread)
	3365161	ETF-1028-A	1.5 gpm (5.7 Lpm) Laminar Flow Spray Head with Key (female thread)
	3365755	ETF-1038-A	0.35 gpm (1.3 Lpm) Multi-Lam Spray Head VR
	0305927	ETF-435	Replacement Key ONLY
3A.	3365466	ETF-295-A	4" (102 mm) Centerset Trim Plate Kit for Faucet (Faucet Only) includes two (2) Nuts, two (2) Hex Screws, two (2) Flat Washers, Single Hole Cover Plate, and CP Base Plate
3B.	3365467	ETF-299-A	4" (102 mm) Centerset Trim Plate Kit for Faucet with Optional Mixing Valve includes two (2) Nuts, two (2) Hex Screws, two (2) Flat Washers, Dual Hole Cover Plate, and CP Base Plate
3C.	3365468	ETF-312-A	4" (102 mm) Centerset Trim Plate Kit for EBF-187 Faucet includes Back-up Spacer, Self-tapping Screw and CP Single Hole Trim Plate Assembly
3D.	3365024	ETF-510-A	8" (203 mm) Centerset Trim Plate Kit for EBF-85 or EBF-187 Faucet; includes two (2) Finger Nuts, two (2) Washer Gaskets, two (2) Fender Washers, Base Gasket, Back-up Spacer and CP Single Hole Trim Plate Assembly
4.	0305626	ETF-290-A	Faucet Mounting Kit includes Rubber Gasket, Mounting Washer, Mounting Nut, and Compression Fitting Connector
5.	0305736	ETF-297	1/4" to 3/8" Compression Fitting Connector
6.	3315111	EBF-11-A	Solenoid Valve Module Assembly includes Solenoid Enclosure, Solenoid Body, and Filter Cap - 4 "C" batteries (not included)
	3315009	EBF-1001-A	Solenoid Filter Replacement Kit for old solenoid includes Filter Screen Assembly and O-ring
	3315028	EBF-1004-A	Solenoid Filter Replacement Kit for current solenoid includes Filter Screen Assembly and O-ring
	3315051	EBF-1005-A	Filter Cap Assembly for old solenoid includes metal Filter Cover and O-ring - DISCONTINUED
7.	3315029	EBF-113	Single Supply Solenoid Kit
	3315001	EBF-16-A	Single Supply Solenoid Kit with Ferrule Compression Nut DISCONTINUED
8.	3315014	EBF-25-A	Mounting Bracket Kit includes Base Plate, Wall Bracket Base, Wall Bracket, Mounting Screw, Self-tapping Screw, two (2) Wood Screws plus Washers and Plastic Anchors, two (2) Screws plus Washers and Toggle Nuts, two (2) Screws plus Washers and Hollow Wall Anchors
9.	3365461	ETF-617-A	Bak-Chek® "T" Assembly
10.	0315004	EBF-17	3/8" to 1/4" Compression Fitting Connector - DISCONTINUED
11.	0365457	ETF-806A	Mounting HW Kit — = Not shown in illustration

## OLD Optima® EBF-85/EBF-187 Faucets (Prior to 8-1-2018)

### TROUBLESHOOTING GUIDE

#### 1. Module emits audible “BEEPS” when activated.

- A. Battery power is nearly exhausted. To ensure proper operation, insert four (4) new C-size batteries. Check that the orientation of each battery matches the positive (+) and negative (–) symbols shown in the bottom of the battery compartment. Reattach battery compartment to control module.

#### 2. Sensor is activated but faucet DOES NOT deliver water.

##### INDICATOR: Module DOES NOT produce audible “BEEPS”.

- A. Battery power is fully exhausted. To ensure proper operation, insert four (4) new C-size batteries. Check that the orientation of each battery matches the positive (+) and negative (–) symbols shown in the bottom of the battery compartment. Reattach battery compartment to control module.
- B. Batteries are not installed properly. Check that the orientation of the batteries match the positive (+) and negative (–) symbols shown in the bottom of the battery compartment. Reattach the battery compartment to the control module.
- C. Solenoid valve module is not working properly. Replace EBF-11-A solenoid valve module.

##### INDICATOR: Module produces audible “BEEPS” when batteries are installed and after 30-second calibration procedure, but NOT when a target is placed in the detection zone of the Sensor.

- D. Fiber optic cable is not connected correctly to solenoid valve module or was not connected when batteries were installed. Reconnect fiber optic cable to solenoid valve module. Open battery compartment to reset electrical system. Check that the orientation of each battery matches the positive (+) and negative (–) symbols shown in the bottom of the battery compartment. Reattach the battery compartment to the control module.
- E. Fiber optic cable is not working properly. Replace EBF-1009-A sensor cable, or EBF-10-A faucet/sensor assembly.
- F. Solenoid valve module is not working properly. Replace EBF-11-A solenoid valve module.

##### INDICATOR: Module produces audible “BEEPS” when a target is placed in the detection zone of the sensor and solenoid valve produces an audible “CLICK”, but NO water flows.

- G. Water supply to faucet is not open. Open supply stop(s).
- H. Bak-Chek® is installed backwards. Reinstall Bak-Chek(s).
- I. Solenoid filter is clogged. Remove, clean, and reinsert. Replace with EBF-1001-A or EBF-1004-A solenoid filter kit if necessary.
- J. Aerator or spray head is clogged. Remove, clean, and reinsert.

##### INDICATOR: Module produces audible “BEEPS” when a target is placed in the detection zone of the sensor, but solenoid valve DOES NOT produce an audible “CLICK” and NO water flows.

- K. Solenoid valve module is not working properly. Replace EBF-11-A solenoid valve module.

#### 3. Faucet delivers only a slow flow or dribble when sensor is activated.

- A. Water supply valve is partially closed. Open the supply stop(s) completely.
- B. Solenoid filter is clogged. Remove, clean, and reinsert. Replace with EBF-1001-A or EBF-1004-A solenoid filter if necessary.
- C. Aerator or spray head is clogged. Remove, clean, and reinsert.

#### 4. Faucet DOES NOT stop delivering water or continues to drip after user is no longer detected (automatic shut-off fails even when batteries are removed).

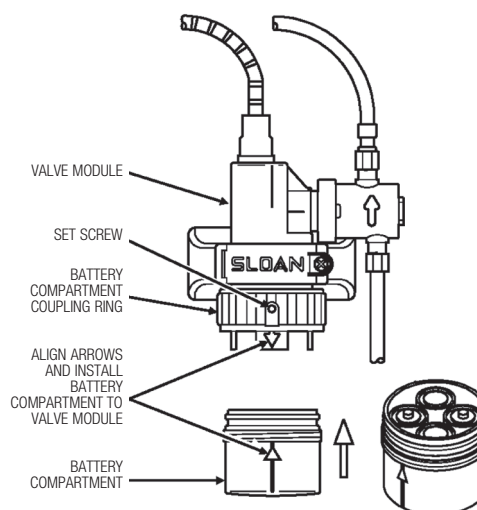
- A. Solenoid valve has been connected backwards. Disassemble solenoid valve compression fittings at the inlet and outlet positions. Water should flow from inlet through the solenoid valve to outlet according to the direction shown by the arrow on the side of the solenoid valve. Reconnect the fittings in the correct orientation.
- B. Solenoid valve seat is dirty. Remove, clean, and reinsert solenoid filter. Activate faucet several times to flush out dirt.
- C. Solenoid valve is dirty. Backflush by reversing water flow (opposite to the direction shown by the arrow on the side of the solenoid valve) through the solenoid valve. Reconnect the compression fittings in the correct orientation. Activate faucet.
- D. Solenoid valve module is not working properly. Replace EBF-11-A solenoid valve module.

#### 5. The water temperature is too hot or too cold on a faucet connected to hot and cold supply lines with two Bak-Chek's.

- A. Supply stops are not adjusted properly. Adjust supply stops.
- B. One Bak-Chek is installed backwards. Reinstall Bak-Chek.

**NOTE:** For some systems, a thermostatic mixing valve may be required.

### BATTERY REPLACEMENT

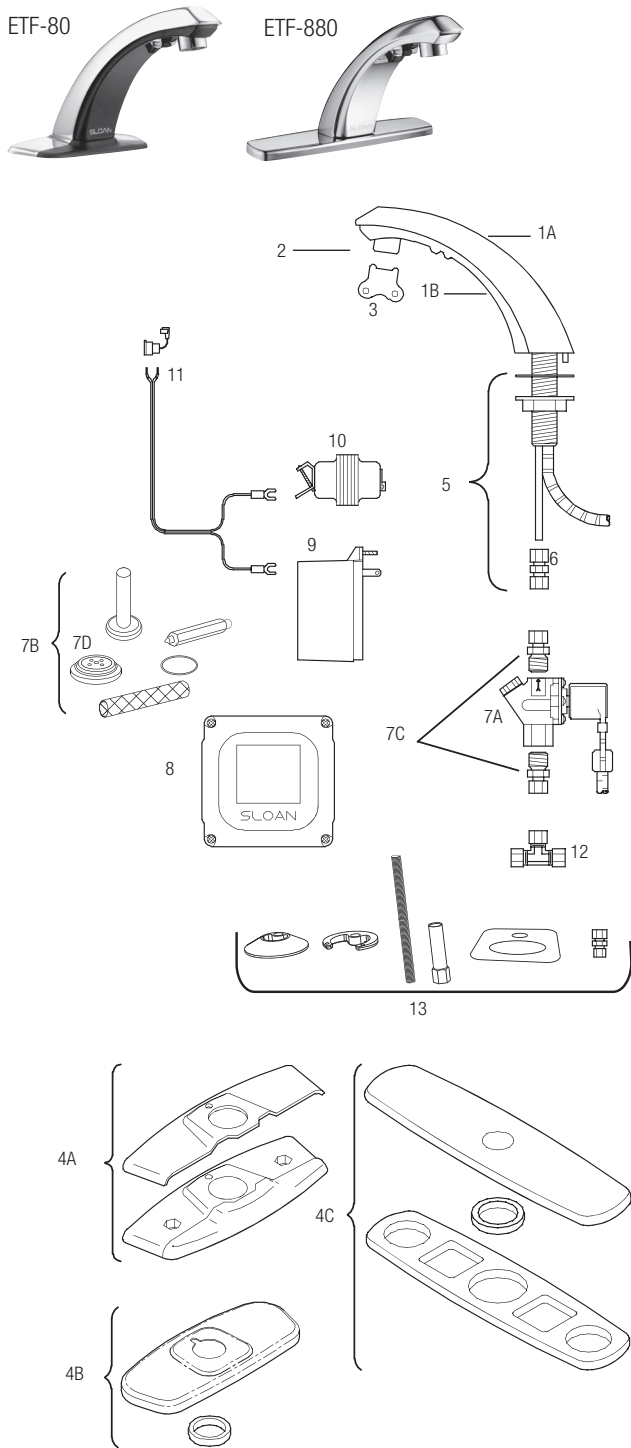


### SOLENOID VALVE CHANGES

The current solenoid (in production since May 1998; has MALE inlet and outlet connections. The current style filter plug has a metal filter cap that can be removed with a 5/8" wrench. The older solenoid valve (shown on the left) can be identified by FEMALE inlet and outlet connections. These require EBF-17 compression fittings (part 10 shown on the left). This older style solenoid has either a plastic or a replacement brass filter cap. Remove the older brass filter cap with a 7/16" or 1/2" hex wrench. Replace the old style filter cap.

**OLD Optima® ETF-80/ETF-880 Faucets**

(Prior to 8-1-2018)



**PARTS LIST—ETF-80 AND ETF-880 FAUCETS**

Item No.	Code No.	Part No.	Description
1A.	<b>0305613</b>	ETF-250-A	Faucet/Sensor Assembly (ETF-80)
	<b>0365054</b>	ETF-625-A	Faucet/Sensor Assembly (ETF-880)
1B.	<b>3365523</b>	ETF-631-A	Sensor Assembly Only (for Faucets manufactured after 10/2003, identified by an all white Sloan name on throat plate) (ETF-80). For ETF-80 faucets prior to 10/2003 (identified by a white and red Sloan name on throat plate) sensor assembly discontinued. Use ETF-250 faucet/sensor assembly.
<b>DISCONTINUED/ETF-1031</b> Repair Kit Throat Plate and Sensor (ETF-880)			
2.	<b>3365091</b>	ETF-1021-A	0.5 gpm (1.9 Lpm) Spray Head with Key (female thread)
	<b>3365090</b>	ETF-1022-A	2.2 gpm (8.3 Lpm) Aerator Spray Head with Key (female thread)
	<b>3365161</b>	ETF-1028-A	1.5 gpm (5.7 Lpm) Laminar Flow Spray Head with Key (female thread)
	<b>3365755</b>	ETF-1038-A	0.35 gpm (1.3 Lpm) Multi-Lam Spray Head VR
3.	<b>0305927</b>	ETF-435	Replacement Key ONLY
4A.	<b>3365466</b>	ETF-295-A	4" (102 mm) Centerset Trim Plate Kit for Faucet (Faucet Only) includes two (2) Nuts, two (2) Hex Screws, two (2) Flat Washers, Single Hole Cover Plate, and CP Base Plate (ETF-80)
—	<b>3365467</b>	ETF-299-A	4" (102 mm) Centerset Trim Plate Kit for Faucet with Optional Mixing Valve includes two (2) Nuts, two (2) Hex Screws, two (2) Flat Washers, Dual Hole Cover Plate, and CP Base Plate (ETF-80)
4B.	<b>3365473</b>	ETF-662-A	4" (102 mm) Centerset Trim Plate Kit (CP) (ETF-880)
4C.	<b>3365024</b>	ETF-510-A	8" (203 mm) Centerset Trim Plate Kit includes two (2) Finger Nuts, two (2) Washer Gaskets, two (2) Fender Washers, Base Gasket, Back-up Spacer and CP Single Hole Trim Plate Assembly (CP) (ETF-880)
5.	<b>0305626</b>	ETF-290-A	Faucet Mounting Kit includes Rubber Gasket, Mounting Washer, Mounting Nut, and <b>4439071</b> Compression Fitting Connector
6.	<b>0305736</b>	ETF-297	1/4" to 3/8" Compression Fitting Connector
7A.	<b>0305849</b>	ETF-370-A	24 VAC Solenoid Valve Assembly includes 18" (457 mm) armored Cable and two (2) Terminal Housings
7B.	<b>3305577</b>	ETF-1009-A	Solenoid Valve Repair Kit includes Replacement Filter, Guide, Armature Spring, Diaphragm and Washer
7C.	<b>3365676</b>	ETF-437-A	Single Solenoid Supply Kit includes, two (2) Compression Fittings (Supplied only with complete faucet)
7D.	<b>3375003</b>	MCR-1003-A	Diaphragm only
8.	<b>3365000</b>	ETF-450-A	Control Module Assembly includes splashproof Junction Box and Junction Box Mounting Kit
9.	<b>0365534</b>	ETF-233	120V/35VA Plug-In Transformer
10.	<b>0345370</b>	EL-248-40	24V/40 VA Box Mount Transformer
11.	<b>0365001</b>	ETF-458-A	Input Power Cable (Transformer to Control Module) includes Strain Relief and two (2) Terminal Crimp Connectors
12.	<b>3365461</b>	ETF-617-A	Bak-Chek® Tee Assembly
13.	<b>0365457</b>	ETF-806A	Mounting HW Kit
—	<b>3305560</b>	ETF-1006-A	Repair Kit for old-style <b>ETF-80</b> Faucets (manufactured before 1992) includes Hex Screw, 5/64" Hex Wrench, Cable Assembly, Hose Clamp, 5-connector Housing, Key for Spray Heads, Access Plate/Sensor Assembly, and Control Module Assembly – <b>DISCONTINUED</b>

**OLD-STYLE FAUCETS**

ETF-80 faucets manufactured before 1992 had all their electronic circuitry located within the body of the spout.

Replacement parts (including sensor components) are available in repair kits ETF-1006-A. – **DISCONTINUED**

## OLD Optima® ETF-80/ETF-880 Faucets (Prior to 8-1-2018)

### TROUBLESHOOTING GUIDE

#### 1. No water is delivered when faucet is activated.

INDICATOR: If no LED lights illuminate:

- A. No electricity is being supplied to faucet. Ensure that the main power is turned "ON". Check all transformer, sensor, solenoid, and cable connections. Make sure that transformer is supplying 24 VAC (Volts AC). If no voltage is detected, replace transformer.
- B. There is an electrical system malfunction. Reset electrical system. Unplug Sensor connection. Disconnect power to circuit for ten (10) seconds. Reconnect.

INDICATOR: If the GREEN LED illuminates when power is reconnected:

- C. There is a short in the sensor. Replace sensor. Refer to individual faucet parts diagram for appropriate sensor assembly. **NOTE:** GREEN LED may illuminate immediately after sensor disconnection.
- D. There is a short in the solenoid or solenoid cable. Replace ETF-370-A solenoid.

INDICATOR: If the GREEN LED does NOT illuminate when power is reconnected:

- E. There is an electrical system malfunction. Reset electrical system. Unplug sensor connection. Disconnect power to circuit for ten (10) seconds. Reconnect.
- F. The control module circuit is not working properly. Replace ETF-450-A control module.

INDICATOR: If GREEN LED illuminates AND changes to RED when hands are in the sensor's detection zone AND the RED solenoid LED illuminates:

- G. Water supply stop(s) may be partially closed. Open stop(s) if closed.
- H. Debris is clogging solenoid filter. Shut off water supply. Remove, clean and reinstall solenoid filter.

INDICATOR: If GREEN LED illuminates AND changes to RED when hands are placed in the sensor's detection zone AND the RED solenoid LED flickers with a vibrating/clicking noise heard inside the module: Note: Applies only to REVISION 2 MODULES.

- I. There is a direct short in the solenoid or solenoid cable. Replace with ETF-370-A solenoid.

INDICATOR: If GREEN/RED LED illuminates AND changes to RED when hands are NOT located in the sensor's detection zone BUT the RED solenoid LED (in upper left corner of circuit) does NOT illuminate:

- J. Sensor range is set too long and is detecting the sink. Reduce sensor detection range.
- K. Sensor is not working properly. Replace sensor. Refer to individual faucet parts diagram for appropriate sensor assembly.

INDICATOR: If GREEN LED illuminates BUT does NOT change to red when hands are placed in the sensor's detection zone:

- L. Sensor range is set too short. Increase sensor detection range.
- M. Sensor is not working properly. Replace sensor. Refer to individual faucet parts diagram for appropriate sensor assembly.

#### 2. Sensing range is too short.

- A. Extended range sensitivity is required. Dip switch number 4 should be in the "DOWN" (extended range sensitivity) position. Increase range

by adjusting range potentiometer clockwise (yellow phillips screw in blue base).

- B. Faucet has surgical bend gooseneck spout. For long range use (recommended for surgical bend gooseneck spout faucet models), remove range jumper from upper right hand corner of circuit board. Adjust range potentiometer. **NOTE:** Applies only to REVISION 2 MODULES.

#### 3. Faucet activates by itself (false triggers).

- A. Sensor range is set too long. Decrease range by adjusting range potentiometer counterclockwise. If necessary, flip dip switch number 4 into the "UP" (reduced range sensitivity) position. Check surroundings for factors that contribute to sensor range detection problems (bright lights, highly reflective surfaces, sunlight, etc.).

#### 4. Faucet delivers very low flow or just a dribble.

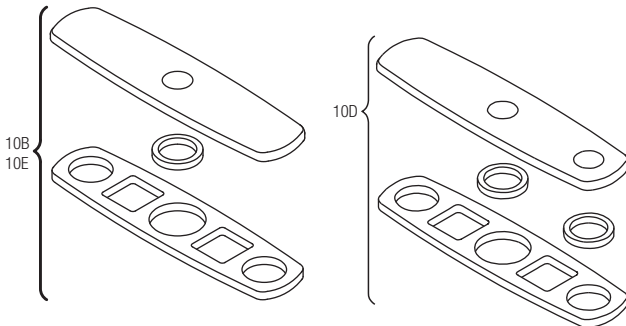
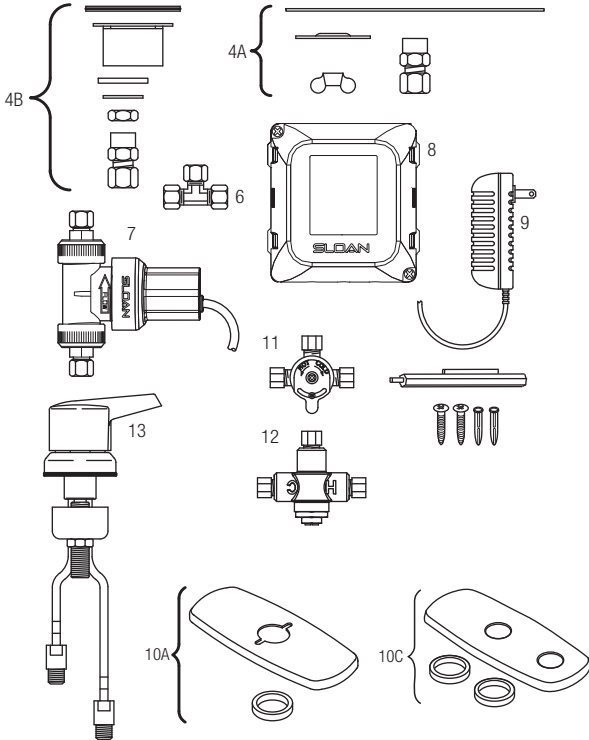
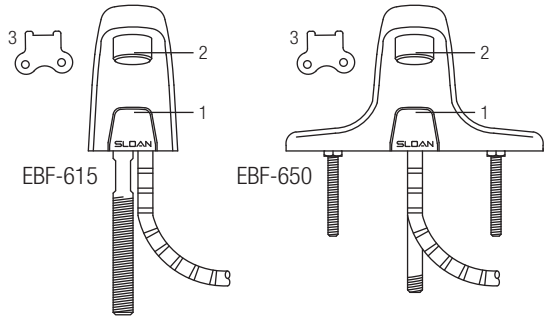
- A. Water supply stop(s) may be partially closed. Open stop(s).
- B. Debris is clogging solenoid filter. Shut off water. Remove, clean, and reinstall solenoid filter.
- C. Solenoid is worn or not working properly. Rebuild with ETF-1009-A solenoid repair kit or replace ETF-370-A solenoid.
- D. Debris is clogging faucet aerator or spray head. Shut off water. Use key if required to remove. Then clean and reinstall aerator or spray head.

#### 5. Faucet DOES NOT stop delivering water or continues to drip after user is no longer detected (even after power to the module has been disconnected).

- A. Solenoid valve is installed backward. Disconnect solenoid. Reconnect solenoid with water flow towards the faucet (see arrow on solenoid).
- B. Debris is clogging solenoid. Remove and clean solenoid operator. If necessary, rebuild with ETF-1009-A repair kit.
- C. Seat in solenoid valve body is damaged or pitted. Replace with ETF-370-A solenoid.

**When assistance is required, please contact  
Sloan Technical Support at: 1-888-SLOAN-14 (1-888-756-2614).**

**OLD Optima® EBF-615/EBF-650 Faucets**  
(Prior to 8-1-2018)



**PARTS LIST—EBF-615 AND EBF-650 FAUCETS**

Item No.	Code No.	Part No.	Description
1.	<b>0365400</b>	ETF-749-A	Sensor Only
2.	<b>3365092</b>	ETF-1023-A	0.5 gpm (1.9 Lpm) Spray Head with Key (male thread)
	<b>3365093</b>	ETF-1024-A	2.2 gpm (8.3 Lpm) Aerator Spray Head with Key (male thread)
	<b>3365162</b>	ETF-1029-A	2.2 gpm (8.3 Lpm) Laminar Flow (male thread)
	<b>3365756</b>	ETF-1039-A	0.35 gpm (1.3 Lpm) Multi-Lam Spray Head VR
3.	<b>0305927</b>	ETF-435	Replacement Key Only for ETF-1023-A 0.5 gpm (1.9 Lpm) Spray Head and ETF-1024-A 2.2 gpm (8.3 Lpm) Aerator Spray Head
4A.	<b>3365088</b>	ETF-546-A	Faucet Mounting Kit for EBF-650 includes Base Gasket, two (2) Slotted Mounting Washers, two (2) Wing Nuts and ETF-547 Compression Fitting Connector
4B.	<b>0315085</b>	EBF-123-A	Faucet Mounting Kit for EBF-615 includes Base Gasket, Spacer, Washer, 9/16" Lockwasher, 1/4" NPSM Hex Nut and ETF-547 Compression Fitting Connector
5.	<b>0365058</b>	ETF-547	1/8" NPT Pipe to 3/8" Tube Compression Fitting Connector (female)
6.	<b>3365461</b>	ETF-617-A	3/8" Bak-Chek® Tee Compression Fitting
7.	<b>0365758</b>	ETF-740-A	6 VDC Solenoid Valve Assembly
7A.	<b>0365774</b>	ETF-742-A	Solenoid with armored cable and wire only (no valve assembly)
8.	<b>0365752</b>	ETF-735-A	Control Module - 4 "AA" Batteries (not included)
9.	<b>0362006</b>	SFP-6	110 VAC/6 VDC Plug-In Adapter
—	<b>0365838</b>	ETF-1003	36" Extension Cable (Optional)
<b>OPTIONAL TRIM PLATES</b>			
10A.	<b>3365302</b>	ETF-607-A	4" (102 mm) Centerset Trim plate for EBF-625
10B.	<b>3365303</b>	ETF-608-A	8" (204 mm) Centerset Trim Plate for EBF-625
10C.	<b>3326012</b>	MIX-101-A	4" (102 mm) Centerset Trim plate for EBF-625 with optional mixing Valve
10D.	<b>3326017</b>	MIX-106-A	8" (204 mm) Centerset Trim plate for EBF-625
10E.	<b>3365119</b>	ETF-578-A	8" (204 mm) Centerset Trim plate for EBF-655
<b>OPTIONAL MIXING VALVES</b>			
11.	<b>3326009</b>	MIX-60-A	Below Deck Mechanical Water Mixing Valve (BDM Variation)
12.	<b>0326045</b>	MIX-135-A	Below Deck Thermostatic Water Mixing Valve (BDT Variation)
13.	<b>3326018</b>	MIX-110-AA	Optimix® Deck Mounted Water Mixing Valve (only available for EBF-615 faucets)

— Not shown in illustration

For parts prior to September 2008 (Old Style) (EBF-625 & EBF-655).



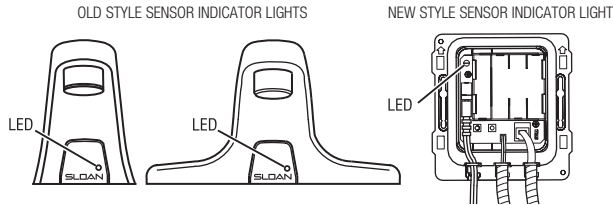
# OLD Optima® EBF-615/EBF-650 Faucets

## (Prior to 8-1-2018)

### TROUBLESHOOTING GUIDE

#### 1. Sensor LED DOES NOT function (sensor indicator light does not flash during initial 10 minute set-up mode).

A. There is no visible indicator light. Normal operation. This is a normal operating feature of the faucet.



#### 2. Faucet DOES NOT deliver any water when Sensor is activated.

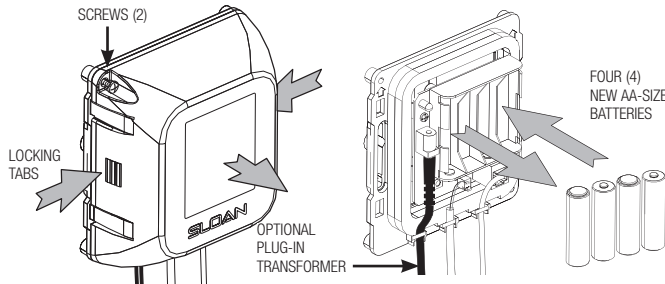
**INDICATOR: Solenoid valve produces audible “CLICK.”**

A. Water supply stop(s) closed. Open supply stop(s) completely.

**INDICATOR: Solenoid valve DOES NOT produce an audible “CLICK.”**

B. Solenoid lead is not properly connected to the control module. Disconnect and reconnect solenoid lead to the control module.

C. No battery or adapter (optional) power is being supplied to sensor. Ensure that the batteries are installed properly. Check that the orientation of each battery matches the positive (+) and negative (–) symbols shown on the bottom of the battery compartment. Reinsert the batteries into the control module. Adapter (optional) is unplugged or wall receptacle has no power.



D. Sensor cable is not properly connected to the control module. Disconnect and reconnect sensor cable to the control module.

E. Sensor range is set at minimum distance. Increase sensor range. Refer to Step 9, Range adjustment in your installation instructions.

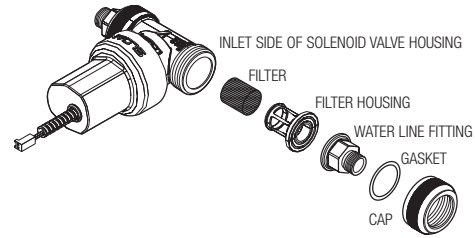
F. Control module assembly is not working properly. Replace control module assembly.

#### 3. Faucet delivers only a slow flow or dribble when sensor is activated.

A. Water supply stop(s) partially closed. Open supply stop(s) completely.

B. Solenoid filter is clogged. Remove, clean and reinstall filter. Turn off water supply at supply stop(s). Activate faucet to relieve system pressure. Remove water supply line from inlet side of solenoid valve. Remove cap, water line fitting, gasket, filter housing and filter from solenoid valve housing. Slide filter off filter housing. Clean filter using fresh tap water only. If necessary, use a small brush to clean. Use caution while cleaning to prevent damage to filter. If any filter components are damaged, replace as necessary. Examine the gasket for wear or damage; replace if necessary. Reinstall filter on filter housing. Install filter housing, gasket, water line fitting and cap onto solenoid valve housing. Tighten cap securely. Reinstall water supply line to inlet side of solenoid valve.

C. Aerator is clogged. Remove, clean and reinstall aerator.



#### 4. Faucet DOES NOT stop delivering water or continues to drip after user is no longer detected (automatic shut-off fails even when batteries are removed).

A. Solenoid valve has been connected backwards. Disconnect solenoid valve compression fittings at both the inlet and outlet positions. The water should flow from inlet through the solenoid valve to the outlet according to the direction of the arrow shown on the side of the solenoid valve. Reconnect the compression fittings in the correct orientation.

B. Solenoid valve is dirty. Backflush by reversing water flow (opposite to the direction shown by the arrow on the side of the solenoid valve) through the solenoid valve. Reconnect the compression fittings in the correct orientation. Activate faucet.

C. Solenoid valve module is not working properly. Replace solenoid valve module.

#### 5. The water temperature is too hot or too cold on a faucet connected to hot and cold supply lines with Bak-Chek Tee.

A. Supply stops are not adjusted properly. Adjust supply stops.

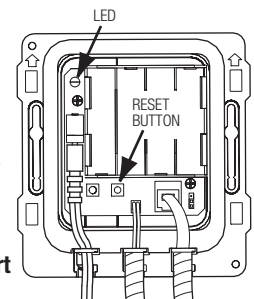
**NOTE: For some systems, a thermostatic mixing valve may be required.**

#### 6. The RED LED turns on in the control module (below deck).

A. One (or more) of the batteries is “dead”. To ensure proper operation, insert four (4) new AA-size batteries. Check that the orientation of each battery matches the positive (+) and negative (–) symbols shown on the bottom of the battery compartment. Reinsert batteries into the control module.

B. Upon start-up mode the control module circuitry also tests the batteries and the RED LED turns on if the battery voltage is low, no RED LED light indicates normal battery voltage.

C. If reset (initiates start up mode) button is pressed, the battery voltage is checked. If voltage is too low, product is stopped from operating and RED LED will turn on. No RED LED light indicates normal battery voltage.



#### 7. The GREEN LED initially turns on in the control module (below deck) during start up mode, then will not appear again.

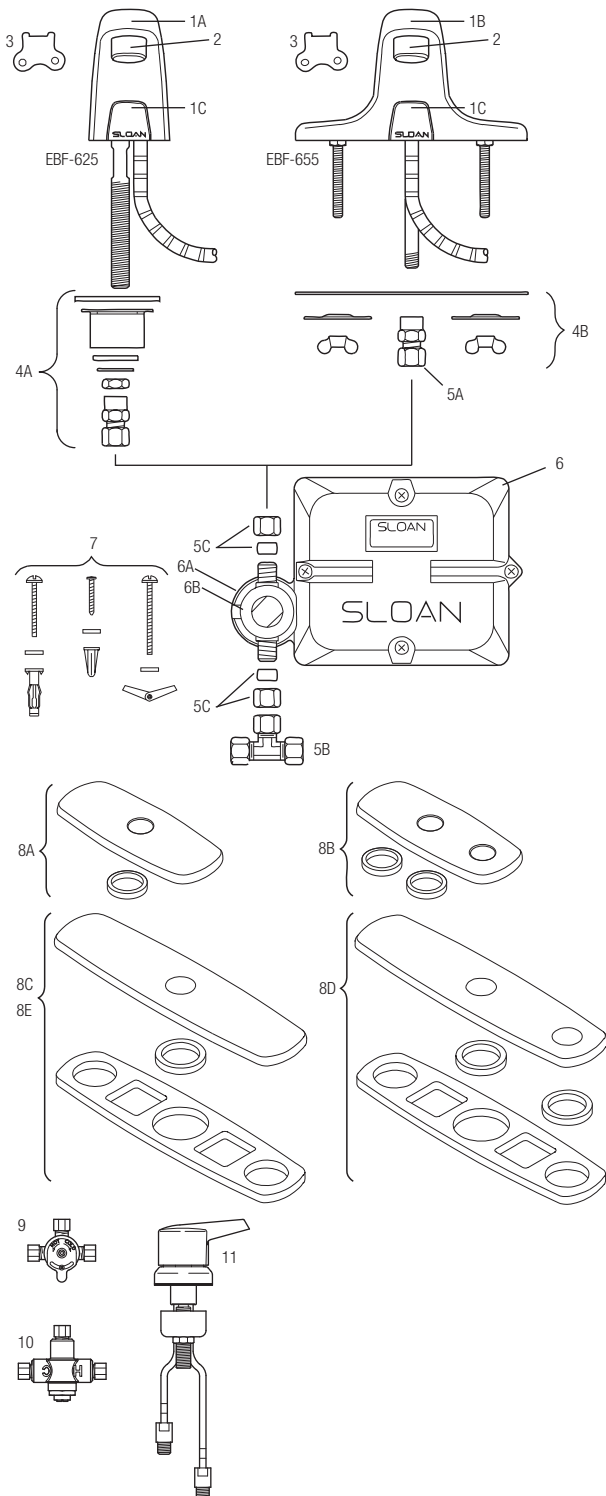
**INDICATOR: For the 1st ten minutes of operation (batteries inserted or reset button pressed) the GREEN LED will turn on when there is a target present (hands in front of sensor). After ten minutes, the GREEN LED will no longer turn on.**

A. This is a normal operating feature of the faucet.



**OLD Optima® EBF-625/EBF-655 Faucets**

(Prior to 8-1-2018)



**PARTS LIST—EBF-625 AND EBF-655 FAUCETS**

(Known as EBF-615-/EBF-650 Prior to September 2008)

Item No.	Code No.	Part No.	Description
1A.	<b>0315083</b>	EBF-120-A	Pedestal Faucet Spout and Sensor assembly (EBF-625)
1B.	<b>0315054PK</b>	EBF-81-A	Faucet Spout and Sensor assembly (EBF-655)
1C.	<b>0315040PK</b>	EBF-80-A	Sensor Assembly
2.	<b>3365092</b>	ETF-1023-A	0.5 gpm (1.9 lpm) Spray head with Key
	<b>3365093</b>	ETF-1024-A	2.2 gpm (8.3 lpm) aerator Spray head with Key
	<b>3365756</b>	ETF-1039-A	0.35 gpm (1.3 Lpm) Multi-Lam Spray Head VR
	—	F-175-L	2.2 gpm (8.3 lpm) Laminar Flow Spray head
3.	<b>0305927</b>	ETF-435	Replacement Key only for ETF-1023-A and ETF-1024-A
4A.	<b>0315085</b>	EBF-123-A	Faucet mounting Kit for EBF-625
4B.	<b>3365088</b>	ETF-546-A	Faucet mounting Kit for EBF-655
5A.	<b>0365058</b>	ETF-547	1/8" NPT pipe to 3/8" Tube Compression Fitting Connection
5B.	<b>3365461</b>	ETF-617	3/8" Bak-Chek Tee Compression Fitting
5C.	<b>3315029</b>	EBF-113-A	Single Solenoid Supply Kit
6.	<b>0315104</b>	EBF-60-A	Control module assembly - 4 "C" batteries (not included)
6A.	<b>3315254</b>	EBF-1011-A	Solenoid replacement Kit
6B.	<b>3315028</b>	EBF-1004-A	Solenoid Filter replacement Kit (includes filter Screen and o-ring)
7.	<b>3315018</b>	EBF-79-A	Mounting hardware Kit for Control module assembly
8A.	<b>3365302</b>	ETF-607-A	4" (102 mm) Centerset Trim plate for EBF-625
8B.	<b>3326012</b>	MIX-101-A	4" (102 mm) Centerset Trim plate for EBF-625 with optional mixing Valve
8C.	<b>3365303</b>	ETF-608-A	8" (204 mm) Centerset Trim plate for EBF-625
8D.	<b>3326017</b>	MIX-106-A	8" (204 mm) Centerset Trim plate for EBF-625
8E.	<b>3365119</b>	ETF-578-A	8" (204 mm) Centerset Trim plate for EBF-655
<b>OPTIONAL MIXING VALVES</b>			
9.	<b>3326009</b>	MIX-60-A	Below Deck Mechanical Water Mixing Valve (BDM Variation)
10.	<b>0326045</b>	MIX-135-A	Below Deck Thermostatic Water Mixing Valve (BDT Variation)
11.	<b>3326018</b>	MIX-110-AA	Optimix® Deck Mounted Water Mixing Valve (only available for EBF-625 faucets)

— in Item No. column = Not shown in illustration  
 — in Code No. and Part No. column = Not sold separately

# OLD Optima® EBF-625/EBF-655 Faucets

(Prior to 8-1-2018)

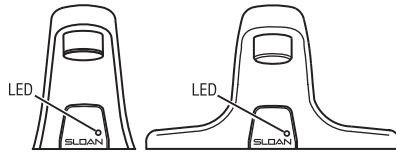
## TROUBLESHOOTING GUIDE

### 1. Faucet DOES NOT stop delivering water or continues to drip after user is no longer detected (automatic shut-off fails even when batteries are removed).

- Solenoid valve has been connected backwards. Disassemble solenoid valve compression fittings at both the inlet and outlet positions. The water should flow from inlet through the solenoid valve to the outlet according to the direction of the arrow shown on the side of the solenoid valve. Reconnect the compression fittings in the correct orientation.
- Solenoid valve is dirty. Back-flush by reversing water flow (opposite to the direction shown by the arrow on the side of the solenoid valve) through the solenoid valve. Reconnect the compression fittings in the correct orientation. Activate faucet.
- Solenoid valve module is not working properly. Replace EBF-1011-A Solenoid valve module.

### 2. Sensor troubleshooting LED DOES NOT function (red indicator light DOES NOT flash during set-up procedure).

- No battery power is being supplied to sensor. Ensure that the batteries are installed properly. Check that the orientation of each battery matches the positive (+) and negative (-) symbols shown on the bottom of the battery compartment. Reinsert the battery compartment into the control module.
- Insufficient battery power is being supplied to sensor. One (or more) of the batteries is "dead". To ensure proper operation, insert four (4) new "C" cell batteries. Check that the orientation of each battery matches the positive (+) and negative (-) symbols shown on the bottom of the battery compartment. Reinsert the battery compartment into the control module.
- Sensor cable is not properly inserted. Disconnect and reconnect sensor cable to the control module.
- Sensor range is set at minimum distance. Increase sensor range. Use a small philips screwdriver to turn the potentiometer screw (white screw in blue base) clockwise.
- Control module assembly is not working properly. Replace EBF-60-A control module assembly.



### 3. The water temperature is too hot or too cold on faucet connected to hot and cold water supply lines with two Bak-Chek.

- Supply stops are not adjusted properly. Adjust supply stops.
- NOTE:** A thermostatic mixing valve may be required on some systems.

### 4. Faucet DOES NOT deliver any water when sensor is activated.

**INDICATOR: Solenoid valve produces audible "CLICK." Water supply valve is closed.**

- Open the water supply.

**INDICATOR: Solenoid valve DOES NOT produce an audible "CLICK."**

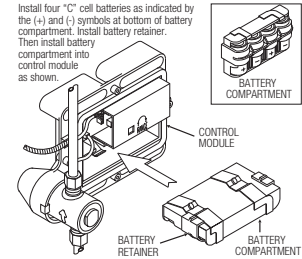
- Disconnect and reconnect solenoid lead to the control module, if solenoid lead is not properly connected to the control module. Batteries are not installed properly. Check that the orientation of each battery matches the positive (+) and negative (-) symbols shown on the bottom of the battery compartment. Reinsert the battery compartment into the control module. The troubleshooting LED should flash RED when a user is detected.

### 5. Faucet delivers only a slow flow or dribble when sensor is activated.

- Water supply valve is partially closed. Completely open the supply stop(s).
- Solenoid filter is clogged. Remove, clean, and reinsert. Replace EBF-1004-A solenoid filter kit, if necessary.
- Aerator or spray head is clogged. Remove, clean, and reinsert.

### BATTERY REPLACEMENT

The Sloan Optima Plus EBF-625 and EBF-655 battery powered, sensor activated lavatory faucets are furnished with four (4) "C" cell batteries that provide up to two (2) years of operation (8000 cycles per month). A flashing LED signal indicates that battery power will be depleted within one (1) month. Replace batteries with four (4) new "C" cell batteries.



Remove the cover of the control module by unscrewing the four (4) cover screws located at the center of each side.

Remove the battery compartment from the control module by gently pulling straight out with a firm grip. Spread the ends of the battery retainer and remove it from the battery compartment. Remove the old batteries and insert four (4) fresh "C" cell batteries into the battery compartment until locked into place.

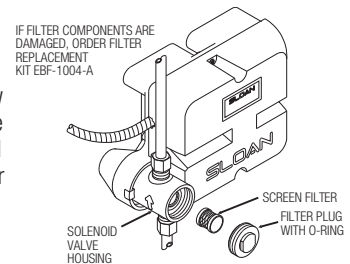
**NOTE:** Battery retainer MUST be installed as shown. If installed upside-down, it will not install into the control module. Reinsert the battery compartment into the control module as shown.

Place cover over the control module and use the four (4) screws provided to attach it. Cover can be installed in only orientation.

**IMPORTANT: Install ALL four (4) cover screws for proper installation.**

### CLEAN SCREEN FILTER

Before cleaning the screen filter, turn off water supply at the supply stop(s). Activate the faucet to relieve any pressure in the system. Unscrew the filter plug and remove it from the solenoid valve housing. Carefully pull the screen filter with attached rubber seals out from the solenoid valve housing.



Clean the screen filter using fresh tap water only. If necessary, use a small brush to clean. Use caution while cleaning to prevent damage to the solenoid screen filter. If any filter components are damaged, order Filter Replacement Kit (EBF-1004-A).

Carefully replace the screen filter into the groove of the solenoid valve housing. Examine the filter plug o-ring for wear or damage; replace if necessary. If necessary, lubricate the filter plug o-ring with water to keep it in place in the groove of the filter plug. Screw the filter plug into the solenoid valve housing.

Turn on the water supply at the supply stop(s). Activate the faucet to purge any air from the system lines. Check for leaks and repair, as necessary.

**When assistance is required, please contact Sloan Technical Support at: 1-888-SLOAN-14 (1-888-756-2614).**

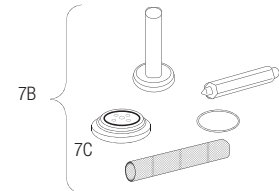
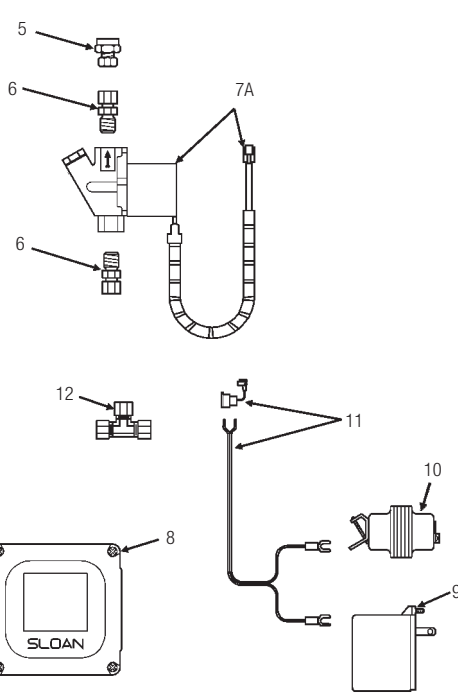
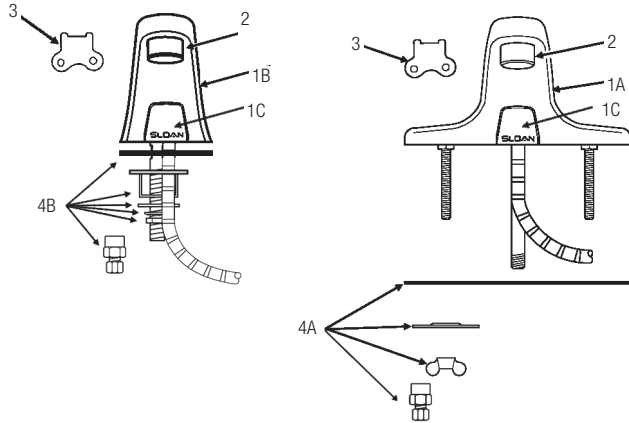
**OLD** Optima® ETF-600/ETF-610 Faucets  
(Prior to 8-1-2018)



ETF-610



ETF-600



**PARTS LIST—ETF-600 AND ETF-610 FAUCETS**

Item No.	Code No.	Part No.	Description
1A.	<b>0365086</b>	ETF-543-A	Faucet and Sensor Assembly (ETF-600)
1B.	<b>0365117</b>	ETF-570-A	Pedestal Faucet and Sensor Assembly (ETF-610)
1C.	<b>0365070</b>	ETF-542-A	Sensor Module <b>Only</b> (for ETF-600 and ETF-610 faucets) includes 18" (153 mm) armored Cable, Shroud, and Housing for Sensor Window
2.	<b>3365092</b>	ETF-1023-A	0.5 gpm (1.9 Lpm) Spray Head with Key (male thread)
	<b>3365093</b>	ETF-1024-A	2.2 gpm (8.3 Lpm) Aerator Spray Head with Key (male thread)
	<b>3365162</b>	ETF-1029-A	2.2 gpm (8.3 Lpm) Laminar Flow Spray Head with Key (male thread)
	<b>3365756</b>	ETF-1039-A	0.35 gpm (1.3 Lpm) Multi-Lam Spray Head VR
3.	<b>0305927</b>	ETF-435	Replacement Key Only
4A.	<b>3365088</b>	ETF-546-A	Faucet Mounting Kit for ETF-600 includes Base Gasket, two (2) Slotted Mounting Washers, two (2) Wing Nuts, and Compression Fitting Connector
4B.	<b>0315085</b>	EBF-123-A	Faucet Mounting Kit for ETF-610 includes Spacer, Base Gasket, 1/4" NPSM Hex Nut, Washer, 9/16" Lock Washer and Compression Fitting Connector
5.	<b>0365058</b>	ETF-547	1/8" NPT Pipe to 3/8" Tube Compression Fitting Connector (female)
6.	<b>3365676</b>	ETF-437-A	Single Solenoid Supply Kit includes, two (2) Compression Fittings, Compression Nut, and Ferrule
7A.	<b>0305849</b>	ETF-370-A	24 VAC Solenoid Valve Assembly includes 18" (457 mm) armored Cable and two (2) Terminal Housings
7B.	<b>3305577</b>	ETF-1009-A	Solenoid Valve Repair Kit includes Replacement Filter, Guide, Armature Spring, Diaphragm and Washer
7C.	<b>3375003</b>	MCR-1003-A	Diaphragm only
8.	<b>3365000</b>	ETF-450-A	Control Module Assembly includes splashproof Junction Box and Junction Box Mounting Kit
9.	<b>0365534</b>	ETF-233	120V/35VA Plug-In Transformer
10.	<b>0345370</b>	EL-248-40	24V/40VA Box Mount Transformer
11.	<b>0365001</b>	ETF-458-A	Input Power Cable (Transformer to Control Module) includes Strain Relief and two (2) Terminal Crimp Connectors
12.	<b>3365461</b>	ETF-617-A	Bak-Chek® "T" Assembly

# OLD Optima® ETF-600/ETF-610 Faucets (Prior to 8-1-2018)

## TROUBLESHOOTING GUIDE

### 1. No water is delivered when faucet is activated.

INDICATOR: If no LED lights illuminate:

- A. No electricity is being supplied to faucet. Ensure that the main power is turned "ON". Check all transformer, sensor, solenoid and cable connections. Make sure that transformer is supplying 24 VAC (Volts AC). If no voltage is detected, replace transformer.
- B. There is an electrical system malfunction. Reset electrical system. Unplug sensor connection. Disconnect power to circuit for ten (10) seconds. Reconnect.

INDICATOR: If the GREEN LED illuminates when power is reconnected:

- C. There is a short in the sensor. Replace sensor. Refer to individual faucet parts diagram for appropriate sensor assembly. **NOTE:** GREEN LED may illuminate immediately after sensor disconnection.
- D. There is a short in the solenoid or solenoid cable. Replace ETF-370-A solenoid.

INDICATOR: If the GREEN LED does NOT illuminate when power is reconnected:

- E. There is an electrical system malfunction. Reset electrical system. Unplug sensor connection. Disconnect power to circuit for ten (10) seconds. Reconnect.
- F. The control module circuit is not working properly. Replace ETF-450-A control module.

INDICATOR: If GREEN LED illuminates AND changes to RED when hands are in the sensor's detection zone AND the RED solenoid LED illuminates:

- G. Water supply stop(s) may be partially closed. Open stop(s) if closed.
- H. Debris is clogging solenoid filter. Shut off water supply. Remove, clean and reinstall solenoid filter.

INDICATOR: If GREEN LED illuminates AND changes to RED when hands are placed in the sensor's detection zone AND the RED solenoid LED flickers with a vibrating/clicking noise heard inside the module: Note: Applies only to REVISION 2 MODULES.

- I. There is a direct short in the solenoid or solenoid cable. Replace with ETF-370-A solenoid.

INDICATOR: If GREEN/RED LED illuminates AND changes to RED when hands are NOT located in the sensor's detection zone BUT the RED solenoid LED (in upper left corner of circuit) does NOT illuminate:

- J. Sensor range is set too long and is detecting the sink. Reduce sensor detection range.
- K. Sensor is not working properly. Replace sensor. Refer to individual faucet parts diagram for appropriate sensor assembly.

INDICATOR: If GREEN LED illuminates BUT does NOT change to red when hands are placed in the sensor's detection zone:

- L. Sensor range is set too short. Increase sensor detection range.
- M. Sensor is not working properly. Replace sensor. Refer to individual faucet parts diagram for appropriate sensor assembly.

### 2. Sensing range is too short.

- A. Extended range sensitivity is required. Dip switch number 4 should be in the "DOWN" (Extended range sensitivity) position. Increase range

by adjusting range potentiometer clockwise (yellow phillips screw in blue base).

- B. Faucet has surgical bend gooseneck spout. For long range use (recommended for surgical bend gooseneck spout faucet models), remove range jumper from upper right hand corner of circuit board. Adjust range potentiometer. Note: Applies only to REVISION 2 MODULES.

### 3. Faucet activates by itself (false triggers).

- A. Sensor range is set too long. Decrease range by adjusting range potentiometer counterclockwise. If necessary, flip dip switch number 4 into the "UP" (reduced range sensitivity) position. Check surroundings for factors that contribute to sensor range detection problems (bright lights, highly reflective surfaces, sunlight, etc.).

### 4. Faucet delivers very low flow or just a dribble.

- A. Water supply stop(s) may be partially closed. Open stop(s).
- B. Debris is clogging solenoid filter. Shut off water. Remove, clean, and reinstall solenoid filter.
- C. Solenoid is worn or not working properly. Rebuild with ETF-1009-A solenoid repair kit or replace ETF-370-A solenoid.
- D. Debris is clogging faucet aerator or spray head. Shut off water. Use key if required to remove. Then clean and reinstall aerator or spray head.

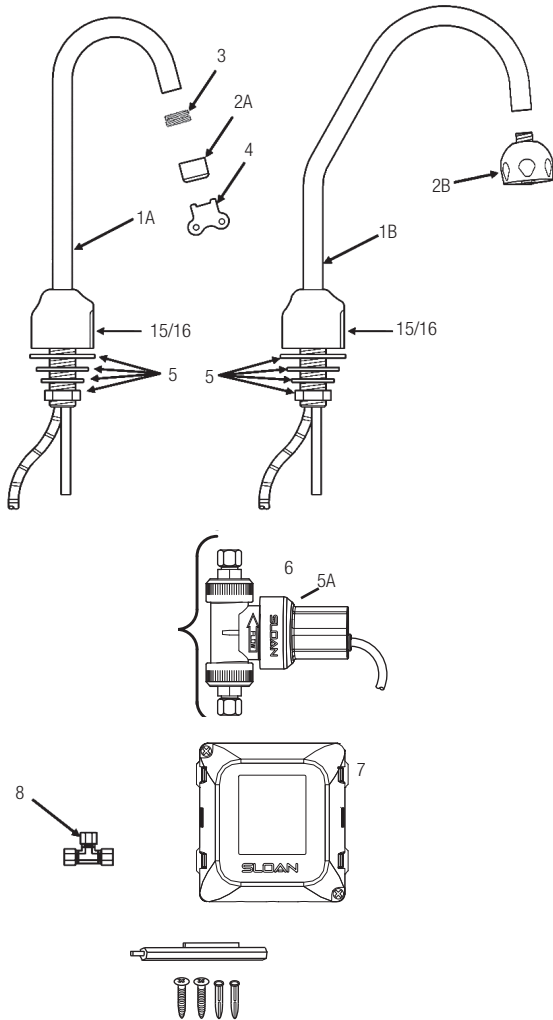
### 5. Faucet DOES NOT stop delivering water or continues to drip after user is no longer detected (even after power to the module has been disconnected).

- A. Solenoid valve is installed backward. Disconnect solenoid. Reconnect solenoid with water flow towards the faucet (see arrow on solenoid).
- B. Debris is clogging solenoid. Remove and clean solenoid operator. If necessary, rebuild with ETF-1009-A repair kit.
- C. Seat in solenoid valve body is damaged or pitted. Replace with ETF-370-A solenoid.

### When assistance is required, please contact

**Sloan Technical Support at: 1-888-SLOAN-14 (1-888-756-2614).**

# OLD Optima® EBF-750/EBF-750-S Faucets (Prior to 8-1-2018)



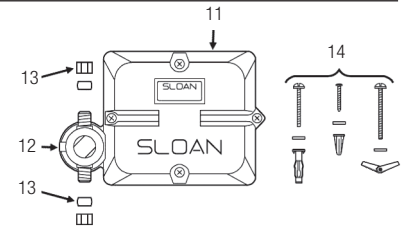
### PARTS LIST—EBF-750 FAUCET

Item No.	Code No.	Part No.	Description
1A.	<b>0315100PK</b>	EBF-140-A	Faucet/Sensor Assembly with Standard Gooseneck Spout (EBF-750) w/ ETF-178.
1B.	<b>0315101PK</b>	EBF-141-A	Faucet/Sensor Assembly with Surgical Bend Gooseneck Spout (EBF-750-S) w/ ETF-178.
2A.	<b>3365147</b>	ETF-621-A	2.2 gpm (8.3 Lpm) Aerator Spray Head with Key (female thread)
	<b>0365793</b>	ETF-839	0.35 gpm (1.3 Lpm) Multi-Lam Spray Head
2B.	<b>0328134</b>	AC-55-A	Shower Spray Head Assembly, 2.2 gpm (8.3 Lpm)
3.	<b>0305784</b>	ETF-178	Adapter for Spray Heads (not required for AC-55-A Shower Spray Head)
4.	<b>0305927</b>	ETF-435	Replacement Key Only
5.	<b>0365110</b>	ETF-503-A	Spout Mounting Kit includes Rubber Gasket, Flat Washer, Lockwasher, Mounting Nut, and Union Compression Fitting
6.	<b>0365758</b>	ETF-740-A	6 VDC Solenoid Assembly
7.	<b>0365752</b>	ETF-735-A	Control Module - 4 "AA" Batteries (not included)
8.	<b>3365461</b>	ETF-617-A	Bak-Chek® Tee Assembly
9.	<b>3365302</b>	ETF-607-A	Optional 4" (102 mm) Centerset Trim Plate Kit includes Trim Plate Spacer and Single Hole Trim Plate Assembly
—.	<b>0365838</b>	ETF-1003	36" Extension Cable (Optional) for Sensor

For additional information about Sloan Mixing Valves or Trim Plates, consult our Installation Instructions and Maintenance Guides.

The current parts breakdown shown on the left has been in production since September 2009. For earlier EBF-650/615 faucet models, please refer to the parts breakdown below and right or consult your nearest Sloan representative.

Note: earlier faucet models are not compatible with the current models.

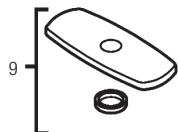


### PARTS PRIOR TO SEPTEMBER 2009

11.	<b>0315104</b>	EBF-60-A	Control Module assembly - 4 "C" batteries (not included)
12.	<b>0315254</b>	EBF-1011-A	Solenoid replacement kit
13.	<b>3315029</b>	EBF-113-A	Single solenoid supply compression nut kit
14.	<b>3315018</b>	EBF-79-A	Mounting hardware kit
15.	<b>9103292</b>	EBF-236-A	Sensor (New Style) Replacement Kit ONLY includes Sensor Housing and Cable Assembly (Phone Jack)
16.	<b>0315057</b>	EBF-138-A	Sensor (Old Style) (Prior to September 2009) Replacement Kit ONLY includes Sensor Housing and Cable Assembly (Flat Wire Black Plug)

— = Not shown in illustration

### Optional Trim Plate Kits





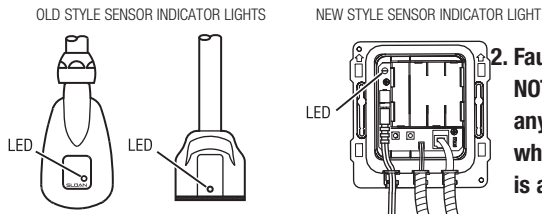
# OLD Optima® EBF-750/EBF-750-S Faucets

(Prior to 8-1-2018)

## TROUBLESHOOTING GUIDE

### 1. Sensor LED DOES NOT function (sensor indicator light does not flash during initial 10 minute set-up mode).

- A. There is no visible indicator light. Normal operation. This is a normal operating feature of the faucet.



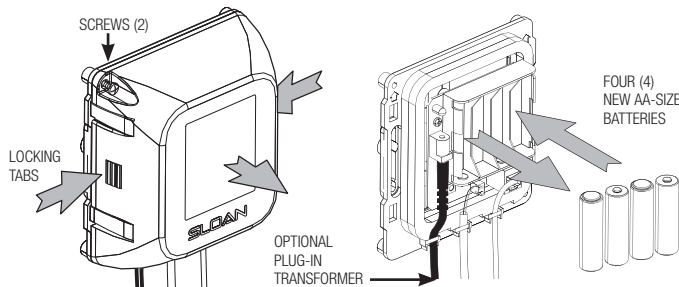
### 2. Faucet DOES NOT deliver any water when sensor is activated.

#### INDICATOR: Solenoid valve produces audible “CLICK.”

- A. Water supply stop(s) closed. Open supply stop(s) completely.

#### INDICATOR: Solenoid valve DOES NOT produce an audible “CLICK.”

- B. Solenoid Lead is not properly connected to the control module. Disconnect and reconnect solenoid lead to the control module.
- C. No battery or transformer (optional) power is being supplied to sensor. Ensure that the batteries are installed properly. Check that the orientation of each battery matches the positive (+) and negative (—) symbols shown on the bottom of the battery compartment. Reinsert the batteries into the control module. Transformer (optional) is unplugged or wall receptacle has no power.

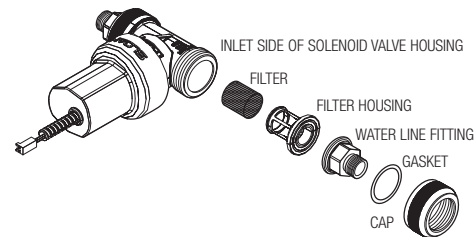


- D. Sensor cable is not properly connected to the control module. Disconnect and reconnect sensor cable to the control module.
- E. Sensor range is set at minimum distance. Increase sensor range. Refer to range adjustment in your installation instructions.
- F. Control module assembly is not working properly. Replace control module assembly.

### 3. Faucet delivers only a slow flow or dribble when sensor is activated.

- A. Water supply stop(s) partially closed. Open supply stop(s) completely.
- B. Solenoid filter is clogged. Remove, clean and reinstall filter. Turn off water supply at supply stop(s). Activate faucet to relieve system pressure. Remove water supply line from inlet side of solenoid valve. Remove cap, water line fitting, gasket, filter housing and filter from solenoid valve housing. Slide filter off filter housing. Clean filter using fresh tap water only. If necessary, use a small brush to clean. Use caution while cleaning to prevent damage to filter. If any filter components are damaged, replace as necessary. Examine the gasket for wear or damage; replace if necessary. Reinstall filter on filter housing. Install filter housing, gasket, water line fitting and cap onto solenoid valve housing. Tighten cap securely. Reinstall water supply line to inlet side of solenoid valve.

- C. Aerator is clogged. Remove, clean and reinstall aerator.



### 4. Faucet DOES NOT stop delivering water or continues to drip after user is no longer detected (automatic shut-off fails even when batteries are removed).

- A. Solenoid valve has been connected backwards. Disconnect solenoid valve compression fittings at both the inlet and outlet positions. The water should flow from inlet through the solenoid valve to the outlet according to the direction of the arrow shown on the side of the solenoid valve. Reconnect the compression fittings in the correct orientation.
- B. Solenoid valve is dirty. Backflush by reversing water flow (opposite to the direction shown by the arrow on the side of the solenoid valve) through the solenoid valve. Reconnect the compression fittings in the correct orientation. Activate faucet.
- C. Solenoid valve module is not working properly. Replace solenoid valve module.

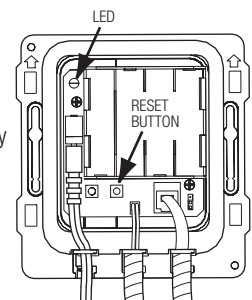
### 5. The water temperature is too hot or too cold on a faucet connected to hot and cold supply lines with Bak-Chek® Tee.

- A. Supply stops are not adjusted properly. Adjust supply stops.

**NOTE: For some systems, a thermostatic mixing valve may be required.**

### 6. The RED LED turns on in the control module (below deck).

- A. One (or more) of the batteries is “dead”. To ensure proper operation, insert four (4) new AA-size batteries. Check that the orientation of each battery matches the positive (+) and negative (—) symbols shown on the bottom of the battery compartment. Reinsert batteries into the control module.
- B. Upon start-up mode the control module circuitry also tests the batteries and the RED LED turns on if the battery voltage is low, no RED LED light indicates normal battery voltage.
- C. If reset (initiates start up mode) button is pressed, the battery voltage is checked. If voltage is too low, product is stopped from operating and RED LED will turn on. No RED LED light indicates normal battery voltage.



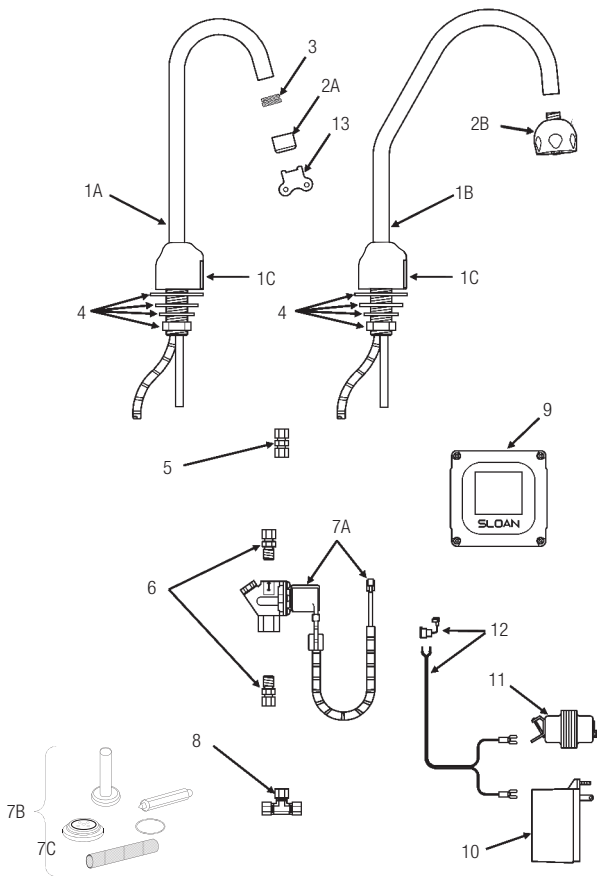
### 7. The GREEN LED initially turns on in the control module (below deck) during start up mode, then will not appear again.

**INDICATOR: For the 1st ten minutes of operation (batteries inserted or reset button pressed) the Green LED will turn on when there is a target present (hands in front of sensor). After ten minutes, the Green LED will no longer turn on.**

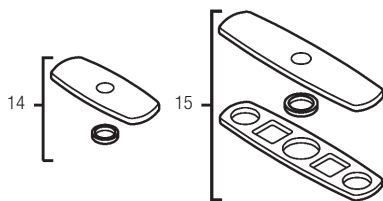
- A. This is a normal operating feature of the faucet.



**OLD Optima® ETF-700/ETF-700-S Faucets**  
(Prior to 8-1-2018)



**Optional Trim Plates**



**PARTS LIST—ETF-700 FAUCET**

Item No.	Code No.	Part No.	Description
1A.	<b>0365108</b>	ETF-472-A	Faucet and Sensor Assembly with Standard Gooseneck Spout (ETF-700)
1B.	<b>0365109</b>	ETF-473-A	Faucet and Sensor Assembly with Surgical Bend Gooseneck Spout (ETF-700-S)
1C.	<b>0365456PK</b>	ETF-830-A	<b>(NEW STYLE) Sensor Module Only</b> includes 18" (153 mm) armored Cable, Shroud, and Housing for Sensor Window (ETF-700 and ETF-700-S Faucets)
1C.	<b>0365028</b>	ETF-476-A	<b>(OLD STYLE)</b> (Prior to 1-2009) Sensor Module Only includes 18" (153 mm) armored Cable, Shroud, and Housing for Sensor Window (ETF-700 and ETF-700-S Faucets)
2A.	<b>0365147</b>	ETF-621-A	2.2 gpm (8.3 Lpm) Aerator Spray Head with Key (female thread)
	<b>0365793</b>	ETF-839	0.35 gpm (1.3 Lpm) Multi-Lam Spray Head
2B.	<b>0328134</b>	AC-55-A	Shower Spray Head Assembly, 2.2 gpm (8.3 Lpm)
3.	<b>0305784</b>	ETF-178	Adapter for Spray Heads (not required for AC-55-A Shower Spray Head)
4.	<b>0365110</b>	ETF-503-A	Spout Mounting Kit Includes Rubber Washer, Flat Washer, Lockwasher, Mounting Nut, and Union Compression Fitting
5.	<b>0365057</b>	ETF-530	3/8" x 3/8" Union Compression Fitting (female)
6.	<b>3365676</b>	ETF-437-A	Single Solenoid Supply Kit includes, two (2) Compression Fittings, Compression Nut, and Ferrule
7A.	<b>0305849</b>	ETF-370-A	24 VAC Solenoid Valve Assembly includes 18" (457 mm) Armored Cable and two (2) Terminal Housings
7B.	<b>3305577</b>	ETF-1009-A	Solenoid Valve Repair Kit includes Replacement Filter, Guide, Armature Spring, Diaphragm and Washer
7C.	<b>3375003</b>	MCR-1003-A	Diaphragm only
8.	<b>3365461</b>	ET617-A	Bak-Chek® "T" Assembly
9.	<b>3365000</b>	ETF-450-A	Control Module Assembly includes splashproof Junction Box and Junction Box Mounting Kit
10.	<b>0365534</b>	ETF-233	120V/35VA Plug-In Transformer
11.	<b>0345370</b>	EL-248-40	24V/40VA Box Mount Transformer
12.	<b>0365001</b>	ETF-458-A	Input Power Cable (Transformer to Control Module) includes Strain Relief and two (2) Terminal Crimp Connectors
13.	<b>0305927</b>	ETF-435	Replacement Key Only
14.	<b>3365302</b>	ETF-607-A	Trim Plate for 4" Center-set Sink
15.	<b>3365303</b>	ETF-608-A	Trim Plate for 8" Center-set Sink

— = Not shown in illustration

**FAUCET CABLE EXTENSION CORDS**

**ETF-80, ETF-500, ETF-600/ETF-610, ETF-660/ETF-770, ETF-700**

<b>0365042</b>	ETF-1005-26	Faucet to Control Module Extension Cord; 26 inch (0.7 meter) Length – <b>DISCONTINUED</b>
<b>0305861</b>	ETF-1005-36	Faucet to Control Module Extension Cord; 36 inch (0.9 meter) Length
<b>0305862</b>	ETF-1005-72	Faucet to Control Module Extension Cord; 72 inch (1.8 meter) Length – <b>DISCONTINUED</b>
<b>0305863</b>	ETF-1005-108	Faucet to Control Module Extension Cord; 108 inch (2.7 meter) Length
<b>0365838</b>	ETF-1003-36	Solenoid to Control Module Extension Cord; 36 inch (0.9 meter) Length
<b>0365053</b>	ETF-1003-48	Solenoid to Control Module Extension Cord; 48 inch (1.2 meter) Length – <b>DISCONTINUED</b>
<b>0365839</b>	ETF-1003-72	Solenoid to Control Module Extension Cord; 72 inch (1.8 meter) Length – <b>DISCONTINUED</b>
<b>0365840</b>	ETF-1003-108	Solenoid to Control Module Extension Cord; 108 inch (2.7 meter) Length

## OLD Optima® ETF-700/ETF-700-S Faucets (Prior to 8-1-2018)

### TROUBLESHOOTING GUIDE

#### 1. No water is delivered when faucet is activated.

INDICATOR: If no LED lights illuminate:

- A. No electricity is being supplied to faucet. Ensure that the main power is turned "ON". Check all transformer, sensor, solenoid and cable connections. Make sure that transformer is supplying 24 VAC (Volts AC). If no voltage is detected, replace transformer.
- B. There is an electrical system malfunction. Reset electrical system. Unplug sensor connection. Disconnect power to circuit for ten (10) seconds. Reconnect.

INDICATOR: If the GREEN LED illuminates when power is reconnected:

- C. There is a short in the sensor. Replace sensor. Refer to individual faucet parts diagram for appropriate sensor assembly. **NOTE:** GREEN LED may illuminate immediately after sensor disconnection.
- D. There is a short in the solenoid or solenoid cable. Replace ETF-370-A solenoid.

INDICATOR: If the GREEN LED does NOT illuminate when power is reconnected:

- E. There is an electrical system malfunction. Reset electrical system. Unplug sensor connection. Disconnect power to circuit for ten (10) seconds. Reconnect.
- F. The control module circuit is not working properly. Replace ETF-450-A control module.

INDICATOR: If GREEN LED illuminates AND changes to RED when hands are in the sensor's detection zone AND the RED solenoid LED illuminates:

- G. Water supply stop(s) may be partially closed. Open stop(s) if closed.
- H. Debris is clogging solenoid filter. Shut off water supply. Remove, clean and reinstall solenoid filter.

INDICATOR: If GREEN LED illuminates AND changes to RED when hands are placed in the sensor's detection zone AND the RED solenoid LED flickers with a vibrating/clicking noise heard inside the module: Note: Applies only to REVISION 2 MODULES.

- I. There is a direct short in the solenoid or solenoid cable. Replace with ETF-370-A solenoid.

INDICATOR: If GREEN/RED LED illuminates AND changes to RED when hands are NOT located in the sensor's detection zone BUT the RED solenoid LED (in upper left corner of circuit) does NOT illuminate:

- J. Sensor range is set too long and is detecting the sink. Reduce sensor detection range.
- K. Sensor is not working properly. Replace sensor. Refer to individual faucet parts diagram for appropriate sensor assembly.

INDICATOR: If GREEN LED illuminates BUT does NOT change to red when hands are placed in the sensor's detection zone:

- L. Sensor range is set too short. Increase sensor detection range.
- M. Sensor is not working properly. Replace sensor. Refer to individual faucet parts diagram for appropriate sensor assembly.

#### 2. Sensing range is too short.

- A. Extended range sensitivity is required. Dip switch number 4 should be in the "DOWN" (Extended range sensitivity) position. Increase range by adjusting range potentiometer clockwise (yellow phillips screw in blue base).
- B. Faucet has surgical bend gooseneck spout. For long range use (recommended for surgical bend gooseneck spout faucet models), remove range jumper from upper right hand corner of circuit board. Adjust range potentiometer. Note: Applies only to REVISION 2 MODULES.

#### 3. Faucet activates by itself (false triggers).

- A. Sensor range is set too long. Decrease range by adjusting range potentiometer counterclockwise. If necessary, flip dip switch number 4 into the "UP" (reduced range sensitivity) position. Check surroundings for factors that contribute to sensor range detection problems (bright lights, highly reflective surfaces, sunlight, etc.).

#### 4. Faucet delivers very low flow or just a dribble.

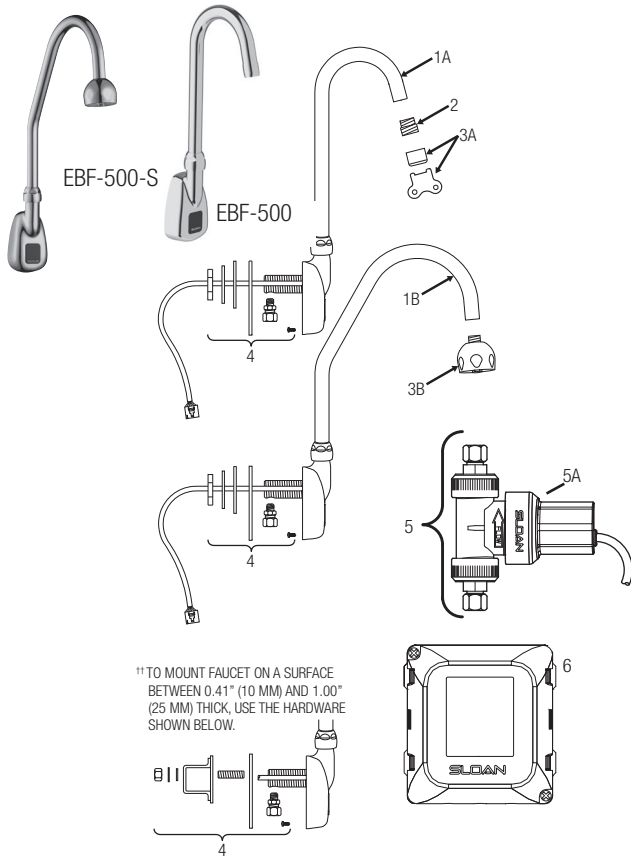
- A. Water supply stop(s) may be partially closed. Open stop(s).
- B. Debris is clogging solenoid filter. Shut off water. Remove, clean, and reinstall solenoid filter.
- C. Solenoid is worn or not working properly. Rebuild with ETF-1009-A solenoid repair kit or replace ETF-370-A solenoid.
- D. Debris is clogging faucet aerator or spray head. Shut off water. Use key if required to remove. Then clean and reinstall aerator or spray head.

#### 5. Faucet DOES NOT stop delivering water or continues to drip after user is no longer detected (even after power to the module has been disconnected).

- A. Solenoid valve is installed backward. Disconnect solenoid. Reconnect solenoid with water flow towards the faucet (see arrow on solenoid).
- B. Debris is clogging solenoid. Remove and clean solenoid operator. If necessary, rebuild with ETF-1009-A repair kit.
- C. Seat in solenoid valve body is damaged or pitted. Replace with ETF-370-A solenoid.

**When assistance is required, please contact  
Sloan Technical Support at: 1-888-SLOAN-14 (1-888-756-2614).**

# OLD Optima® EBF-550/EBF-550-S Faucets (Prior to 8-1-2018)



### New Base Gasket

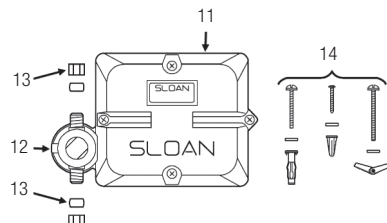
The new base gasket (in production since October 1999) is shown below. An older base gasket design did not have the u-shaped drainage hole.



The new mounting kit (in production since June 1999; Item 4 shown at left) includes parts for installation on both thin and thick surfaces, an ETF-591 male compression fitting, and an anti-rotation screw for installation on sheet metal surfaces less than 0.41" (10 mm) thick. For surfaces between 0.41" (10 mm) and 1.00" (25 mm) thick, use the mounting spacer and mounting stud hardware. The faucet sensor cable is threaded through a groove on the side of the shank.

The older mounting kits (Items 9 and 10) can be identified by a copper supply tube attached to the faucet shank, requires an ETF-547 compression fitting, and threads the faucet sensor cable through the interior of the shank.

The current parts breakdown shown on the left has been in production since September 2008. For earlier EBF-650/615 faucet models, please refer to the parts breakdown below and right or consult your nearest Sloan representative.



### PARTS LIST—EBF-550 FAUCET

Item No.	Code No.	Part No.	Description
1A.	<b>0315234</b>	EBF-222-A-ST	Faucet and Sensor Assembly with Standard Gooseneck Spout (EBF-550) w/ ETF-178 (new sensor w/ phone jack)
1B.	<b>0315227PK*</b>	EBF-222-A-SU	Faucet and Sensor Assembly with Surgical Bend Gooseneck Spout (EBF-550-S) w/ ETF-178 (new sensor w/ phone jack)
2.	<b>0305784</b>	ETF-178	Adapter for Spray Heads (not required for AC-55-A Shower Spray Head)
3A.	<b>0365147</b>	ETF-621	2.2 gpm (8.3 Lpm) Laminar Flow Spray Head with Key (female thread)
	<b>0365793</b>	ETF-839	0.35 gpm (1.3 Lpm) Multi-Lam Spray Head
	<b>0305927</b>	ETF-435	Replacement Key ONLY
3B.	<b>0328134</b>	AC-55-A	Shower Spray Head Assembly, 2.2 gpm (8.3 Lpm)
4.	<b>0315060</b>	EBF-110-A	Faucet Mounting Kit includes Base Gasket, large Flat Washer, large Lockwasher, large Nut, Mounting Spacer, Mounting Stud, small Flat Washer, small Lockwasher, small Nut, Anti-Rotation Screw, and Compression Fitting Connector (male)
	<b>0365152</b>	ETF-591	1/8" NPT Pipe to 3/8" Tube Male Compression Fitting Connector
5.	<b>0365758</b>	ETF-740-A	6 VDC Solenoid Valve Assembly
5A.	<b>0365774</b>	ETF-742-A	6 VDC Solenoid Valve Only
6.	<b>0365752</b>	ETF-735-A	Control Module
7.	<b>3365461</b>	ETF-617-A	Bak-Chek® "T" Assembly
—	<b>0365838</b>	ETF-1003	36" Extension Cable (Optional)

— Not shown in illustration

\* Obsolete/No Substitution Available

For additional information about Sloan Mixing Valves or Trim Plates, consult our Installation Instructions and Maintenance Guides.

### OLD MOUNTING KIT AND FAUCET SHANK

8.	<b>N/A</b> <sup>††</sup>	EBF-110-A	Old Faucet Mounting Kit included 3/8" Water Supply Tube, Base Gasket, large Flat Washer, large Lock Washer, large Nut, and Compression Fitting Connector (order Items 4 and 10 as replacement parts)
9.	<b>0365058</b> <sup>††</sup>	ETF-547	1/8" NPT Pipe to 3/8" Tube Female Compression Fitting Connector

**Note: earlier faucet models are not compatible with the current models.**

### PARTS PRIOR TO SEPTEMBER 2009

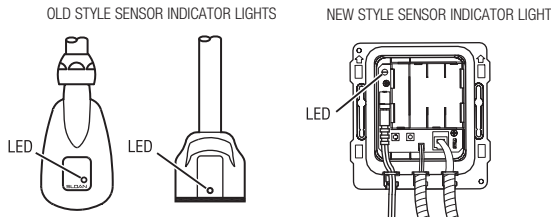
11.	<b>0315104</b>	EBF-60-A	Control Module Assembly
12.	<b>0315254</b>	EBF-1011-A	Solenoid Replacement Kit
13.	<b>3315029</b>	EBF-113-A	Single Solenoid Supply Compression Nut Kit
14.	<b>3315018</b>	EBF-79-A	Mounting Hardware Kit
15.	<b>3315222PK</b>	EBF-222A-ST	Standard Gooseneck Spout & Old Style Sensor Assembly (Flat 7 wire Black Modular Plug)
16.	<b>0315153</b>	EBF-206-A	Sensor Window w/ Cable Assembly

# OLD Optima® EBF-550/EBF-550-S Faucets (Prior to 8-1-2018)

## TROUBLESHOOTING GUIDE

### 1. Sensor LED does not function (sensor indicator light DOES NOT flash during initial 10 minute set-up mode).

A. There is no visible indicator light. Normal operation. This is a normal operating feature of the faucet.



### 2. Faucet DOES NOT deliver any water when Sensor is activated.

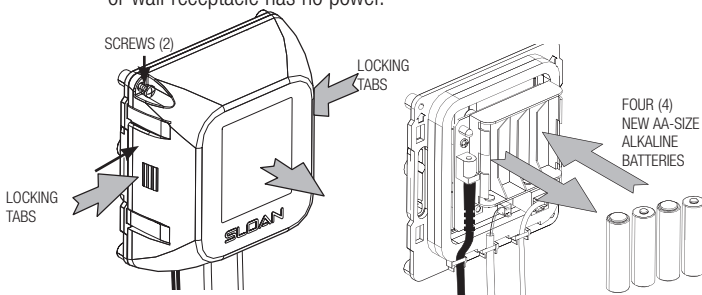
**INDICATOR: Solenoid valve produces audible “CLICK.”**

A. Water supply stop(s) closed. Open supply stop(s) completely.

**INDICATOR: Solenoid valve DOES NOT produce an audible “CLICK.”**

B. Solenoid lead is not properly connected to the control module. Disconnect and reconnect solenoid lead to the control module.

C. No battery or transformer (optional) power is being supplied to sensor. Ensure that the batteries are installed properly. Check that the orientation of each battery matches the positive (+) and negative (–) symbols shown on the bottom of the battery compartment. Reinsert the batteries into the control module. Transformer (optional) is unplugged or wall receptacle has no power.



D. Sensor cable is not properly connected to the control module. Disconnect and reconnect sensor cable to the control module.

E. Sensor range is set at minimum distance. Increase sensor range. Refer to range adjustment in your installation instructions.

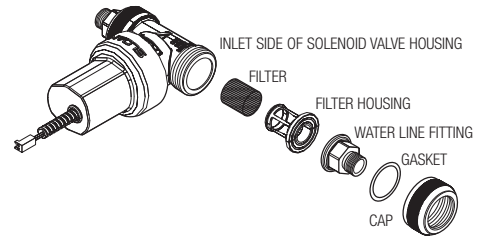
F. Control module assembly is not working properly. Replace control module assembly.

### 3. Faucet delivers only a slow flow or dribble when sensor is activated.

A. Water supply stop(s) partially closed. Open supply stop(s) completely.

B. Solenoid filter is clogged. Remove, clean and reinstall filter. Turn off water supply at supply stop(s). Activate faucet to relieve system pressure. Remove water supply line from inlet side of solenoid valve. Remove cap, water line fitting, gasket, filter housing and filter from solenoid valve housing. Slide filter off filter housing. Clean filter using fresh tap water only. If necessary, use a small brush to clean. Use caution while cleaning to prevent damage to filter. If any filter components are damaged, replace as necessary. Examine the gasket for wear or damage; replace if necessary. Reinstall filter on filter housing. Install filter housing, gasket, water line fitting and cap onto solenoid valve housing. Tighten cap securely. Reinstall water supply line to inlet side of solenoid valve.

C. Aerator is clogged. Remove, clean and reinstall aerator.



### 4. Faucet DOES NOT stop delivering water or continues to drip after user is no longer detected (automatic shut-off fails even when batteries are removed).

A. Solenoid valve has been connected backwards. Disconnect solenoid valve compression fittings at both the inlet and outlet positions. The water should flow from inlet through the solenoid valve to the outlet according to the direction of the arrow shown on the side of the solenoid valve. Reconnect the compression fittings in the correct orientation.

B. Solenoid valve is dirty. Backflush by reversing water flow (opposite to the direction shown by the arrow on the side of the solenoid valve) through the solenoid valve. Reconnect the compression fittings in the correct orientation. Activate faucet.

C. Solenoid valve module is not working properly. Replace solenoid valve module.

### 5. The water temperature is too hot or too cold on a faucet connected to hot and cold supply lines with Bak-Chek® Tee.

A. Supply stops are not adjusted properly. Adjust supply stops.

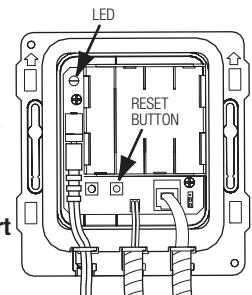
**NOTE: For some systems, a thermostatic mixing valve may be required.**

### 6. The RED LED turns on in the control module (below deck).

A. One (or more) of the batteries is “dead”. To ensure proper operation, insert four (4) new AA-size Alkaline batteries. Check that the orientation of each battery matches the positive (+) and negative (–) symbols shown on the bottom of the battery compartment. Reinsert batteries into the control module.

B: Upon start-up mode the control module circuitry also tests the batteries and the RED LED turns on if the battery voltage is low, no RED LED light indicates normal battery voltage.

C. If reset (initiates start up mode) button is pressed, the battery voltage is checked. If voltage is too low, product is stopped from operating and RED LED will turn on. No RED LED light indicates normal battery voltage.

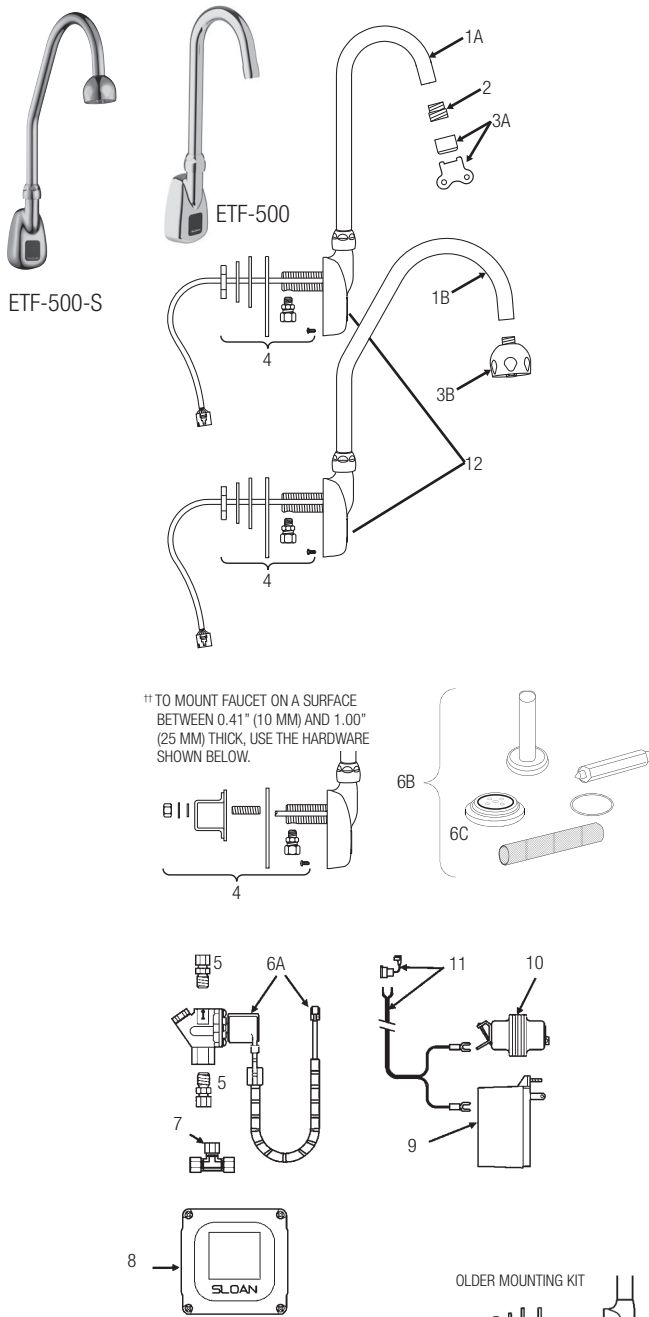


### 7. The GREEN LED initially turns on in the control module (below deck) during start up mode, then will not appear again.

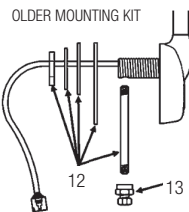
**INDICATOR: For the 1st ten minutes of operation (batteries inserted or reset button pressed) the GREEN LED will turn on when there is a target present (hands in front of sensor). After ten minutes, the GREEN LED will no longer turn on.**

A. This is a normal operating feature of the faucet.

# OLD Optima® ETF-500/ETF-500-S Faucets (Prior to 8-1-2018)



**New Base Gasket**  
The new base gasket (in production since October 1999) is shown at right. An older base gasket design did not have the u-shaped drainage hole.



**PARTS LIST—ETF-500 FAUCET**

Item No.	Code No.	Part No.	Description
1A.	<b>0365778</b>	ETF-772-A-ST	Faucet/Sensor Assembly with Standard Gooseneck Spout
1B.	<b>0365783</b>	ETF-772-A-SU	Faucet/Sensor Assembly with Surgical Bend Gooseneck Spout
2.	<b>0305784</b>	ETF-178	Aerator Adapter for Spray Heads (not required for AC-55-A Shower Spray Head)
3A.	<b>0365147</b>	ETF-621-A	2.2 gpm (8.3 Lpm) Aerator Spray Head with Key (female thread)
	<b>0365793</b>	ETF-839	0.35 gpm (1.3 Lpm) Multi-Lam Spray Head
	<b>0305927</b>	ETF-435	Replacement Key ONLY
3B.	<b>0328134</b>	AC-55-A	Shower Spray Head Assembly, 2.2 gpm (8.3 Lpm)
4.	<b>0315060</b>	EBF-110-A	Faucet Mounting Kit includes Base Gasket, large Flat Washer, large Lock Washer, large Nut, Mounting Spacer, Mounting Stud, small Flat Washer, small Lock Washer, small Nut, Anti-Rotation Screw, and Compression Fitting Connector (male)
—	<b>0365152</b>	ETF-591	1/8" NPT Pipe to 3/8" Tube Male Compression Fitting Connector
5.	<b>3365676</b>	ETF-437-A	Single Solenoid Supply Kit includes, two (2) Compression Fittings, Compression Nut, and Ferrule
6A.	<b>0305849</b>	ETF-370-A	24 VAC Solenoid Valve Assembly includes 18" (457 mm) armored Cable and two (2) Terminal Housings
6B.	<b>3305577</b>	ETF-1009-A	Solenoid Valve Repair Kit includes Replacement Filter, Guide, Armature Spring, Diaphragm and Washer
6C.	<b>3375003</b>	MCR-1003-A	Diaphragm only
7.	<b>3365461</b>	ETF-617-A	Bak-Chek® "T" Assembly
8.	<b>3365000</b>	ETF-450-A	Control Module Assembly includes splashproof Junction Box and Junction Box Mounting Kit
9.	<b>0365534</b>	ETF-233	120V/35VA Plug-In Transformer
10.	<b>0345370</b>	EL-248-40	24V/40VA Box Mount Transformer
11.	<b>0365001</b>	ETF-458-A	Input Power Cable (Transformer to Control Module) includes Strain Relief and two (2) Terminal Crimp Connectors
12.	<b>0365097</b>	ETF-568-A	Sensor Only

See page 220 for faucet cable extension cords.

— = Not shown in illustration

**OLD MOUNTING KIT AND FAUCET SHANK**

12.	<b>N/A</b> <sup>††</sup>	EBF-110-A	Old Faucet Mounting Kit included 3/8" Water Supply Tube, Base Gasket, large Flat Washer, large Lock Washer, large Nut, and Compression Fitting Connector (order Items 4 and 13 as replacement parts)
13.	<b>0365058</b> <sup>††</sup>	ETF-547	1/8" NPT Pipe to 3/8" Tube Female Compression Fitting Connector

The new mounting kit (in production since June 1999; Item 4 shown at left) includes parts for installation on both thin and thick surfaces, an ETF-591 male compression fitting, and an anti-rotation screw for installation on sheet metal surfaces less than 0.41" (10 mm) thick. For surfaces between 0.41" (10 mm) and 1.00" (25 mm) thick, use the mounting spacer and mounting stud hardware. The faucet sensor cable is threaded through a groove on the side of the shank.

The older mounting kits (Items 12 and 13) can be identified by a copper supply tube attached to the faucet shank, requires an ETF-547 compression fitting, and threads the faucet sensor cable through the interior of the shank.



## OLD Optima® ETF-500/ETF-500-S Faucets (Prior to 8-1-2018)

### TROUBLESHOOTING GUIDE

#### 1. No water is delivered when faucet is activated.

INDICATOR: If no LED lights illuminate:

- A. No electricity is being supplied to faucet. Ensure that the main power is turned "ON". Check all transformer, sensor, solenoid and cable connections. Make sure that transformer is supplying 24 VAC (Volts AC). If no voltage is detected, replace transformer.
- B. There is an electrical system malfunction. Reset electrical system. Unplug sensor connection. Disconnect power to circuit for ten (10) seconds. Reconnect.

INDICATOR: If the GREEN LED illuminates when power is reconnected:

- C. There is a short in the Sensor. Replace sensor. Refer to individual faucet parts diagram for appropriate sensor assembly. **NOTE:** GREEN LED may illuminate immediately after sensor disconnection.
- D. There is a short in the solenoid or solenoid cable. Replace ETF-370-A solenoid.

INDICATOR: If the GREEN LED does NOT illuminate when power is reconnected:

- E. There is an electrical system malfunction. Reset electrical system. Unplug sensor connection. Disconnect power to circuit for ten (10) seconds. Reconnect.
- F. The control module circuit is not working properly. Replace ETF-450-A control module.

INDICATOR: If GREEN LED illuminates AND changes to RED when hands are in the sensor's detection zone AND the RED solenoid LED illuminates:

- G. Water supply stop(s) may be partially closed. Open stop(s) if closed.
- H. Debris is clogging solenoid filter. Shut off water supply. Remove, clean and reinstall solenoid filter.

INDICATOR: If GREEN LED illuminates AND changes to RED when hands are placed in the sensor's detection zone AND the RED solenoid LED flickers with a vibrating/clicking noise heard inside the module: **NOTE:** Applies only to REVISION 2 MODULES.

- I. There is a direct short in the solenoid or solenoid cable. Replace with ETF-370-A solenoid.

INDICATOR: If GREEN/RED LED illuminates AND changes to RED when hands are NOT located in the sensor's detection zone BUT the RED solenoid LED (in upper left corner of circuit) does NOT illuminate:

- J. Sensor range is set too long and is detecting the sink. Reduce sensor detection range.
- K. Sensor is not working properly. Replace sensor. Refer to individual faucet parts diagram for appropriate sensor assembly.

INDICATOR: If GREEN LED illuminates BUT does NOT change to red when hands are placed in the sensor's detection zone:

- L. Sensor range is set too short. Increase sensor detection range.
- M. Sensor is not working properly. Replace sensor. Refer to individual faucet parts diagram for appropriate sensor assembly.

#### 2. Sensing range is too short.

- A. Extended range sensitivity is required. Dip switch number 4 should be in the "DOWN" (Extended range sensitivity) position. Increase range by

adjusting range potentiometer clockwise (yellow phillips screw in blue base).

- B. Faucet has surgical bend gooseneck spout. For long range use (recommended for surgical bend gooseneck spout faucet models), remove range jumper from upper right hand corner of circuit board. Adjust range potentiometer. **NOTE:** Applies only to REVISION 2 MODULES.

#### 3. Faucet activates by itself (false triggers).

- A. Sensor range is set too long. Decrease range by adjusting range potentiometer counterclockwise. If necessary, flip dip switch number 4 into the "UP" (reduced range sensitivity) position. Check surroundings for factors that contribute to sensor range detection problems (bright lights, highly reflective surfaces, sunlight, etc.).

#### 4. Faucet delivers very low flow or just a dribble.

- A. Water supply stop(s) may be partially closed. Open stop(s).
- B. Debris is clogging solenoid filter. Shut off water. Remove, clean, and reinstall solenoid filter.
- C. Solenoid is worn or not working properly. Rebuild with ETF-1009-A solenoid repair kit or replace ETF-370-A solenoid.
- D. Debris is clogging faucet aerator or spray head. Shut off water. Use key if required to remove. Then clean and reinstall aerator or spray head.

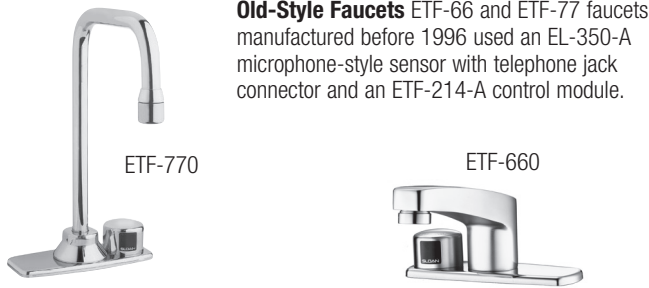
#### 5. Faucet DOES NOT stop delivering water or continues to drip after user is no longer detected (even after power to the module has been disconnected).

- A. Solenoid valve is installed backward. Disconnect solenoid. Reconnect solenoid with water flow towards the faucet (see arrow on solenoid).
- B. Debris is clogging solenoid. Remove and clean solenoid operator. If necessary, rebuild with ETF-1009-A repair kit.
- C. Seat in solenoid valve body is damaged or pitted. Replace with ETF-370-A solenoid.

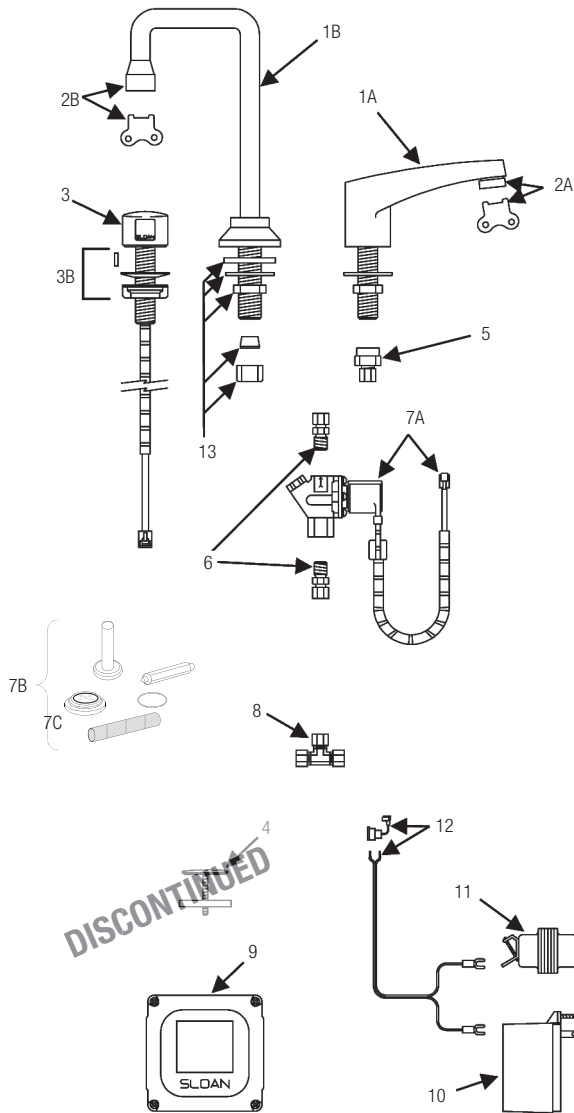
**When assistance is required, please contact  
Sloan Technical Support at: 1-888-SLOAN-14 (1-888-756-2614).**



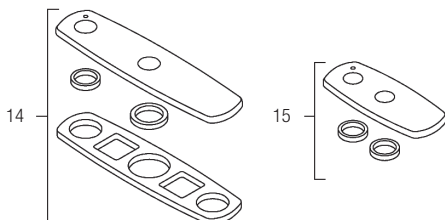
**OLD Optima® ETF-660/ETF-770 Faucets**  
(Prior to 8-1-2018)



**Old-Style Faucets** ETF-66 and ETF-77 faucets manufactured before 1996 used an EL-350-A microphone-style sensor with telephone jack connector and an ETF-214-A control module.



**Optional Trim Plates**



**PARTS LIST—ETF-660 AND ETF-770 FAUCETS**

Item No.	Code No.	Part No.	Description
1A.	<b>0365162</b>	ETF-595-A	Lavatory Faucet Assembly (ETF-660)
1B.	<b>0305536</b>	ETF-261-A	Deck-Mounted Gooseneck Faucet Assembly (ETF-770)
2A.	<b>3365092</b>	ETF-1023-A	0.5 gpm (1.9 Lpm) Spray Head with Key (male thread)
	<b>3365093</b>	ETF-1024-A	2.2 gpm (8.3 Lpm) Aerator Spray Head with Key (male thread)
	<b>3365162</b>	ETF-1029-A	2.2 gpm (8.3 Lpm) Laminar Flow Spray Head with Key (male thread)
	<b>0335927</b>	ETF-435	Replacement Key Only for ETF-1023-A Spray Head and ETF-1024-A Aerator Spray Head (NOT required for F-175-L Laminar Flow Spray Head)
	<b>3365756</b>	ETF-1039-A	0.35 gpm (1.3 Lpm) Multi-Lam Spray Head VR
2B.	<b>3365091</b>	ETF-1021-A	0.5 gpm (1.9 Lpm) Spray Head with Key (female thread)
	<b>3365090</b>	ETF-1022-A	2.2 gpm (8.3 Lpm) Aerator Spray Head with Key (female thread)
	<b>3365160</b>	ETF-1027-A	2.2 gpm (8.3 Lpm) Laminar Flow Spray Head with Key (female thread)
	<b>0305927</b>	ETF-435	Replacement Key Only
	<b>3365755</b>	ETF-1038-A	0.35 gpm (1.3 Lpm) Multi-Lam Spray Head VR
3.	<b>0305946</b>	EL-3500-A	Microphone-style "On-Q" Sensor Assembly includes O-ring, 18" armored Cable, Microphone Sensor Cap, Locking Pin, Microphone Sensor Body, and Emitter/Detector Shroud
3B.	<b>0305528</b>	EL-289	Microphone Mounting Kit
4.	<b>0365524</b>	ETF-199	Cock Hole Cover — <b>DISCONTINUED</b>
5.	<b>0305513</b>	ETF-271	3/8" Tube Fitting Connector (female)
6.	<b>3365676</b>	ETF-437-A	Single Solenoid Supply Kit includes, two (2) Compression Fittings, Compression Nut, and Ferrule
7A.	<b>0305849</b>	ETF-370-A	24 VAC Solenoid Valve Assembly includes 18" (457 mm) armored Cable and two (2) Terminal Housings
7B.	<b>3305577</b>	ETF-1009-A	Solenoid Valve Repair Kit includes Replacement Filter, Guide, Armature Spring, Diaphragm and Washer
7C.	<b>3375003</b>	MCR-1003-A	Diaphragm only
8.	<b>3365461</b>	ETF-617-A	Bak-Chek® "T" Assembly
9.	<b>3365000</b>	ETF-450-A	Control Module Assembly includes splashproof Junction Box and Junction Box Mounting Kit
10.	<b>0365534</b>	ETF-233	120V/35 VA Plug-In Transformer
11.	<b>0345370</b>	EL-248-40	24V/40 VA Box Mount Transformer
12.	<b>0365001</b>	ETF-458-A	Input Power Cable (Transformer to Control Module) includes Strain Relief and two (2) Terminal Crimp Connectors
13.	<b>0305768</b>	EL-310-A	Spout Mounting Kit (ETF-770 Only) Includes Rubber Washer, Steel Washer, Lock Nut, Rubber Cone Washer, and Coupling Nut
14.	<b>3365602</b>	ETF-432-A	Optional 8" (203 mm) Centerset Trim Plate Kit, includes Seal, Washer Fender, Gasket, Finger Nut, Trim Plate Spacer and Dual Hole Trim Plate Assembly
15.	<b>3365469</b>	ETF-313-A	Optional 4" (102 mm) Centerset Trim Plate Kit includes Trim Plate Spacer and Dual Hole Trim Plate Assembly

**See page 220 for faucet cable extension cords.**

— = Not shown in illustration

NOTE: For older style ETF-66/77 faucets the replacement EL-350 is discontinued. Replacement is ETF-1019-A includes EL-3500-A and ETF-450-A.

NOTE: For the replacement control module when the older style 3 phone jack module is used, use ETF-492-A.

## OLD Optima® ETF-660/ETF-770 Faucets (Prior to 8-1-2018)

### TROUBLESHOOTING GUIDE

#### 1. No water is delivered when faucet is activated.

INDICATOR: If no LED lights illuminate:

- A. No electricity is being supplied to faucet. Ensure that the main power is turned "ON". Check all transformer, sensor, solenoid and cable connections. Make sure that transformer is supplying 24 VAC (Volts AC). If no voltage is detected, replace transformer.
- B. There is an electrical system malfunction. Reset electrical system. Unplug sensor connection. Disconnect power to circuit for ten (10) seconds. Reconnect.

INDICATOR: If the GREEN LED illuminates when power is reconnected:

- C. There is a short in the sensor. Replace sensor. Refer to individual faucet parts diagram for appropriate sensor assembly. **NOTE:** GREEN LED may illuminate immediately after sensor disconnection.
- D. There is a short in the solenoid or solenoid cable. Replace ETF-370-A solenoid.

INDICATOR: If the GREEN LED does NOT illuminate when power is reconnected:

- E. There is an electrical system malfunction. Reset electrical system. Unplug sensor connection. Disconnect power to circuit for ten (10) seconds. Reconnect.
- F. The control module circuit is not working properly. Replace ETF-450-A control module.

INDICATOR: If GREEN LED illuminates AND changes to RED when hands are in the sensor's detection zone AND the RED solenoid LED illuminates:

- G. Water supply stop(s) may be partially closed. Open stop(s) if closed.
- H. Debris is clogging solenoid filter. Shut off water supply. Remove, clean and reinstall solenoid filter.

INDICATOR: If GREEN LED illuminates AND changes to RED when hands are placed in the sensor's detection zone AND the RED solenoid LED flickers with a vibrating/clicking noise heard inside the module: Note: Applies only to REVISION 2 MODULES.

- I. There is a direct short in the solenoid or solenoid cable. Replace with ETF-370-A solenoid.

INDICATOR: If GREEN/RED LED illuminates AND changes to RED when hands are NOT located in the sensor's detection zone BUT the RED solenoid LED (in upper left corner of circuit) DOES NOT illuminate:

- J. Sensor range is set too long and is detecting the sink. Reduce sensor detection range.
- K. Sensor is not working properly. Replace sensor. Refer to individual faucet parts diagram for appropriate sensor assembly.

INDICATOR: If GREEN LED illuminates BUT DOES NOT change to red when hands are placed in the sensor's detection zone:

- L. Sensor range is set too short. Increase sensor detection range.
- M. Sensor is not working properly. Replace sensor. Refer to individual faucet parts diagram for appropriate sensor assembly.

#### 2. Sensing range is too short.

- A. Extended range sensitivity is required. Dip switch number 4 should be in the "DOWN" (Extended range sensitivity) position. Increase range by adjusting range potentiometer clockwise (yellow phillips screw in blue base).
- B. Faucet has surgical bend gooseneck spout. For long range use (recommended for surgical bend gooseneck spout faucet models), remove range jumper from upper right hand corner of circuit board. Adjust range potentiometer. Note: Applies only to REVISION 2 MODULES.

#### 3. Faucet activates by itself (false triggers).

- A. Sensor range is set too long. Decrease range by adjusting range potentiometer counterclockwise. If necessary, flip dip switch number 4 into the "UP" (reduced range sensitivity) position. Check surroundings for factors that contribute to sensor range detection problems (bright lights, highly reflective surfaces, sunlight, etc.).

#### 4. Faucet delivers very low flow or just a dribble.

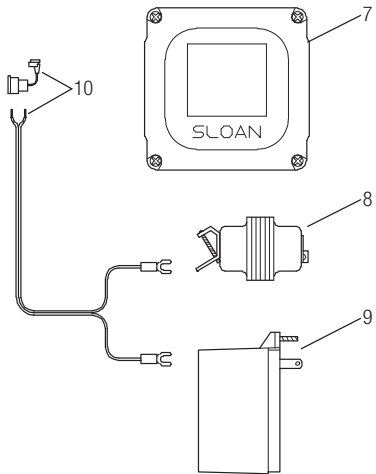
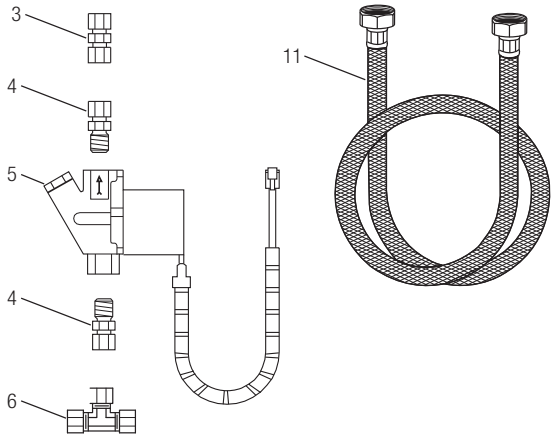
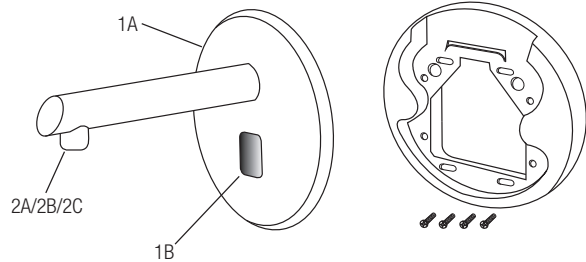
- A. Water supply stop(s) may be partially closed. Open stop(s).
- B. Debris is clogging solenoid filter. Shut off water. Remove, clean, and reinstall solenoid filter.
- C. Solenoid is worn or not working properly. Rebuild with ETF-1009-A solenoid repair kit or replace ETF-370-A solenoid.
- D. Debris is clogging faucet aerator or spray head. Shut off water. Use key if required to remove. Then clean and reinstall aerator or spray head.

#### 5. Faucet DOES NOT stop delivering water or continues to drip after user is no longer detected (even after power to the module has been disconnected).

- A. Solenoid valve is installed backward. Disconnect solenoid. Reconnect solenoid with water flow towards the faucet (see arrow on solenoid).
- B. Debris is clogging solenoid. Remove and clean solenoid operator. If necessary, rebuild with ETF-1009-A repair kit.
- C. Seat in solenoid valve body is damaged or pitted. Replace with ETF-370-A solenoid.

**When assistance is required, please contact  
Sloan Technical Support at: 1-888-SLOAN-14 (1-888-756-2614).**

# OLD Optima® ETF-800 Faucet (Prior to 8-1-2018)



## PARTS LIST—ETF-800 FAUCET

Item No.	Code No.	Part No.	Description
1A.	<b>0365797</b>	ETF-797-A	Faucet Spout and Sensor Assembly
1B.	<b>0365097</b>	ETF-568-A	Sensor Assembly only
2A.	<b>0365378</b>	ETF-687	1.5 gpm/5.7 Lpm Laminar Flow Spray Head
2B.	<b>3365757</b>	ETF-1040-A	0.35 gpm/1.3 Lpm Multi-Lam Spray Head
2C.	<b>0365147</b>	ETF-621	2.2 laminar Flow Spray Head
3.†	<b>0365057</b>	ETF-530	Compression Fitting
4.†	<b>0305459</b>	ETF-61	Compression Fittings (2)
5.	<b>0305849PK</b>	ETF-370-A	24 VAC Solenoid Valve Assembly; Includes Wire Harness
—	<b>3305577</b>	ETF-1009-A	Solenoid Valve Repair Kit, Includes Replacement Filter
6.	<b>3365461</b>	ETF-617-A	3/8" Bak-Chek® Tee Compression Fitting
7.	<b>3365000</b>	ETF-450-A	Control Module Assembly
8.	<b>0345370</b>	EL-248-40	Box Mount Transformer
9.	<b>0365534</b>	ETF-233	Plug-In Transformer
10.	<b>0365001</b>	ETF-458-A	Power Cable with Strain Relief and Crimp Connectors (Transformer to Control Module)
11.	<b>3326091</b>	MIX-19	Flex Hose

† ETF-798-A Compression Fitting Kit, includes (1) ETF-530, (2) ETF-61 Compression Fittings and (4) Mounting Plate Screws

If further assistance is required, please contact the Sloan Valve Company Installation Engineering Department at 1-888-SLOAN-14 (1-888-756-2614).

NOTICE: The information contained in this document is subject to change without notice.

## OLD Optima® ETF-800 Faucet (Prior to 8-1-2018)

### RANGE ADJUSTMENT

The Optima ETF-800 faucet is factory set to activate when hands are placed 4 to 5 inches (102 to 127 mm) from sensor. This range should be satisfactory for most installations.

If range adjustment is required, refer to the following range adjustment procedures.

### TO MAKE A RANGE ADJUSTMENT

The range potentiometer and dip Switches are located in control module.

**IMPORTANT:** Range Potentiometer adjustment screw rotates only 3/4 of a turn; **DO NOT** over-rotate.

Make certain that dip switch number 4 is in the DOWN position. Using the small screwdriver provided, adjust range potentiometer clockwise until green (power ON) indicator LED turns red (Faucet is now picking up sink). Adjust range potentiometer back counterclockwise until red LED returns to green. Range is now at maximum.

In the event the LED remains red with the adjustment at minimum (counterclockwise) setting, the sensitivity can be further reduced by switching Dip Switch number 4 to the ON (UP) position.

Cycle faucet several times to assure that range as adjusted will not inadvertently pick up IR reflection in lavatory. If IR reflection occurs (green LED will flicker red), adjust range potentiometer counterclockwise very slightly and again cycle faucet.

Repeat range adjustment counterclockwise until length of range is at bowl rim of lavatory (plus or minus 1 inch (25 mm)).

### TIME OUT ADJUSTMENT

The Faucet Time Out Setting determines the maximum time the faucet will run upon continuous activation. This timing can be changed to meet individual application requirements.

Refer to Table 1 or label on cover of control module along with the following instructions to set the desired time out. The dip switches used to set the time out are located in the control module.

Set the Time Out by configuring the number 1, 2 and 3 Dip Switches as shown in Table 1.

**Table 1 — Time Out Settings**

Time Out	Dip Switch Setting		
	Switch #1	Switch #2	Switch #3
3 SECONDS	UP	UP	DOWN
6 SECONDS	DOWN	DOWN	UP
12 SECONDS	UP	DOWN	UP
30 SECONDS	UP	DOWN	DOWN
45 SECONDS	UP	UP	UP
1 MINUTES	DOWN	UP	UP
3 MINUTES	DOWN	DOWN	DOWN
20 MINUTES	DOWN	UP	DOWN

Unless otherwise specified, all ETF-800 faucets leave the factory set with a 30 second Time Out.

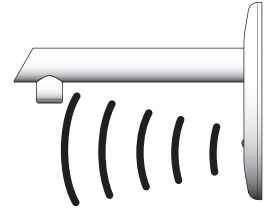
**NOTE:** The position of Dip Switch #4 (range enhancer setting) does not affect Faucet Time Outs.

Push Cables into slots at the bottom of the control module.

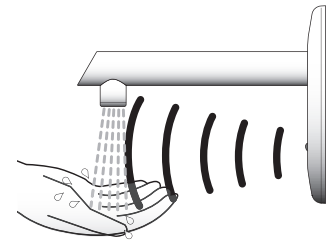
Install control module cover using screws provided.

### TEST FAUCET OPERATION

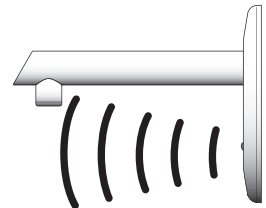
1. A continuous invisible beam of light is emitted from the Optima sensor located below the faucet spout.



2. As the user's hands enter the beam's effective range, the beam is reflected back into the sensor receiver and activates the solenoid valve allowing tempered water to flow from the faucet. Water will flow until the hands are removed or until the faucet reaches its automatic time out limit setting.



3. When hands are moved away from the Optima sensor, the loss of reflected light initiates an electrical signal that deactivates the solenoid valve shutting off the water flow. The circuit then automatically resets and is ready for the next user.



## OLD Optima® ETF-800 Faucet (Prior to 8-1-2018)

### TROUBLESHOOTING GUIDE

**NOTE: Remove cover from control module to check diagnostic lights.**

#### 1. No water is delivered when faucet is activated.

INDICATOR: If no LED lights illuminate:

- A. No electricity is being supplied to faucet. Ensure that the main power is turned "ON." Check all transformer, sensor, solenoid and cable connections. Make sure that transformer is supplying 24 VAC (Volts AC). If no voltage is detected, replace transformer.
- B. There is an electrical system malfunction. Reset electrical system. Unplug sensor connection. Disconnect power to circuit for ten (10) seconds. Reconnect.

INDICATOR: If the GREEN LED illuminates when power is reconnected:

- C. There is a short in the sensor. Replace sensor.

Note: GREEN LED may illuminate immediately after sensor disconnection.

- D. There is a short in the solenoid or solenoid cable. Replace ETF-370-A solenoid.

INDICATOR: If the GREEN LED does NOT illuminate when power is reconnected:

- E. There is an electrical system malfunction. Reset electrical system. Unplug sensor connection. Disconnect power to circuit for ten (10) seconds. Reconnect.
- F. The control module circuit is not working properly. Replace ETF-450-A control module.

INDICATOR: If GREEN LED illuminates AND changes to RED when hands are in the sensor's detection zone AND the RED solenoid LED illuminates:

- G. Water supply stop(s) may be partially closed. Open supply stop(s) completely.
- H. Debris is clogging solenoid filter. Shut off water supply. Remove, clean and reinstall solenoid filter.

INDICATOR: If GREEN LED illuminates AND changes to RED when hands are placed in the sensor's detection zone AND the RED solenoid LED flickers with a vibrating/clicking noise heard inside the module:

- I. There is a direct short in the solenoid or solenoid cable. Replace with ETF-370-A solenoid.

INDICATOR: If GREEN/RED LED illuminates AND changes to RED when hands are NOT located in the sensor's detection zone BUT the RED solenoid LED (in upper left corner of circuit) does NOT illuminate:

- J. Sensor range is set too long and is detecting the sink. Reduce sensor detection range.
- K. Sensor is not working properly. Replace sensor.

INDICATOR: If GREEN LED illuminates BUT DOES NOT change to RED when hands are placed in the sensor's detection zone:

- L. Sensor range is set too short. Increase sensor detection range.
- M. Sensor is not working properly. Replace sensor.

#### 2. Sensing range is too short.

- A. Extended Range Sensitivity is required. Dip Switch number 4 should be in the "DOWN" (Extended Range Sensitivity) position. Increase range by adjusting Range Potentiometer clockwise (yellow phillips screw in blue base).

#### 3. Faucet activates by itself (false triggers).

- A. Sensor range is set too long. Decrease range by adjusting range potentiometer counterclockwise. If necessary, flip dip switch number 4 to the "UP" (reduced range sensitivity) position. Check surroundings for factors that contribute to Sensor range detection problems (bright lights, highly reflective surfaces, sunlight, etc.).

#### 4. Faucet delivers very low flow or just a dribble.

- A. Water supply stop(s) may be partially closed. Open supply stop(s) completely.
- B. Debris is clogging solenoid filter. Shut off water. Remove, clean, and reinstall solenoid filter or replace solenoid filter ETF-1009-A.
- C. Solenoid is worn or not working properly. Rebuild with ETF-1009-A solenoid repair kit or replace ETF-370-A solenoid.
- D. Debris is clogging faucet aerator or spray head. Shut off water. Remove aerator or spray head (use Key if required). Clean and reinstall aerator or spray head.

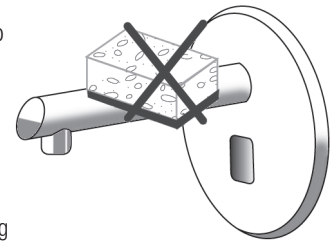
#### 5. Faucet DOES NOT stop delivering water or continues to drip after user is no longer detected (even after power to the module has been disconnected).

- A. Solenoid valve is installed backward. Disconnect solenoid. Reconnect solenoid with water flow toward the faucet (see arrow on solenoid).
- B. Debris is clogging solenoid. Remove and clean solenoid operator. If necessary, rebuild with ETF-1009-A repair kit.
- C. Seat in solenoid valve body is damaged or pitted. Replace with ETF-370-A solenoid.

### CARE AND CLEANING

**DO NOT USE** abrasive or chemical cleaners (including chlorine bleach) to clean faucets that may dull the luster and attack the chrome or special decorative finishes. Use **ONLY** mild soap and water, then wipe dry with clean cloth or towel.

While cleaning the bathroom tile, protect the faucet from any splattering of cleaner. Acids and cleaning fluids will discolor or remove chrome plating.



**When assistance is required, please contact  
Sloan Technical Support at: 1-888-SLOAN-14 (1-888-756-2614).**

## Optima® EAF-275 Faucet

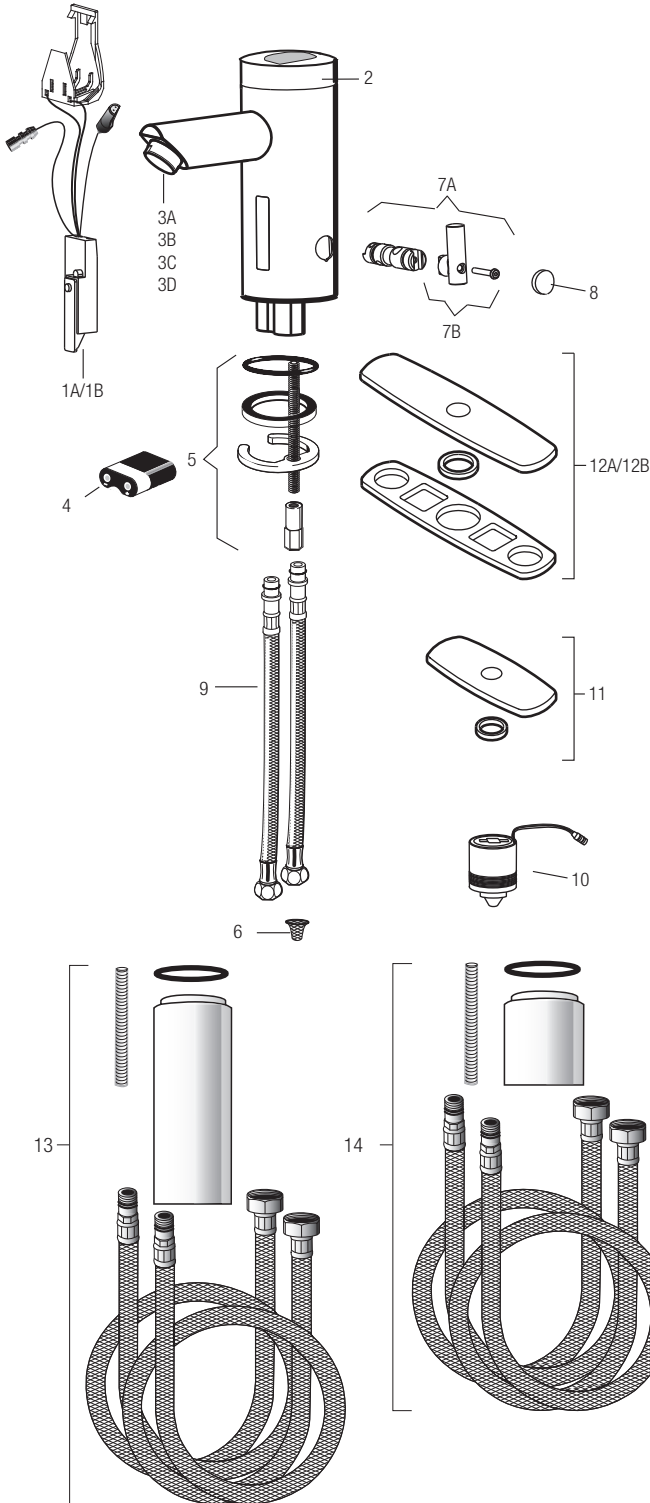


EAF-275

EAF-275 Series Faucet date code 1101 and newer. Product revised to make spray head vandal resistant without need for special spray. EAF-15 only works on product date code 1052 and older.

### PARTS LIST—EAF-275 FAUCET

Item No.	Code No.	Part No.	Description
1A.	<b>0335013</b>	EAF-14-A	Faucet Sensor Assembly without i.q.-cliq
1B.	<b>0335014</b>	EAF-16-A	Faucet Sensor Assembly with i.q.-cliq
2.	<b>3335021</b>	EAF-1006	Cap and Solar Cell Assembly
3A.	<b>0335012</b>	EAF-15	0.5 gpm (1.9 Lpm) VR Aerator Spray Head – Pre 03/2011
3B.	<b>0335008</b>	EAF-10	2.2 gpm (8.3 Lpm) Aerator Spray Head
3C.	<b>0335011</b>	EAF-13	2.2 gpm (8.3 Lpm) Laminar Flow Spray Head
3D.	<b>0335029</b>	EAF-51	0.35 gpm (1.3 Lpm) Multi-Laminar Spray Head
4.	<b>3335018</b>	EAF-1003-A	Battery Replacement Kit (CR-P2)
5.	<b>0335000</b>	EAF-1	Faucet Mounting Kit
6.	<b>0335007</b>	EAF-9	Strainer (Filter)
7A.	<b>3335019</b>	EAF-1004	Mixer Handle Assembly and Cartridge
7B.	<b>3335020</b>	EAF-1005	Handle Repair Kit
8.	<b>3335022</b>	EAF-1007	Handle Cap
9.	<b>3335023</b>	EAF-1008	13" (330 mm) Flexible Supply Hose (1)
10.	<b>0335001</b>	EAF-2	Solenoid Solenoid (6 mm hex recess)
11.	<b>3365468</b>	ETF-312-A	Trim Plate for 4" Center-set Sink
12A.	<b>3365024</b>	ETF-510-A	Trim Plate for 8" Center-set Sink
12B.	<b>3362022</b>	SFP-22-A	Use when needing 8" for EAF-35-A extension
13.	<b>3335035</b>	EAF-35-A	Faucet Extension Kit (6 3/4" Length)
14.	<b>3335046</b>	EAF-40-A	2-1/4" Faucet Extension Kit. Raises faucet such that outlet height complies with California Office of Statewide Health Planning and Development





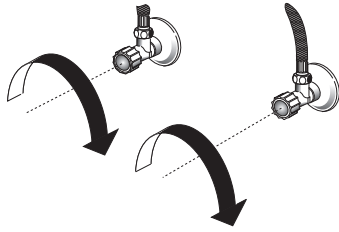
## Optima® EAF-275 Faucet

### BACK-UP BATTERY REPLACEMENT

Replace battery when red LED indicator flashes each time faucet is in use or when faucet stops functioning.

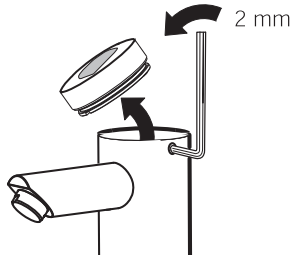
#### Step 1

Close supply stop(s).



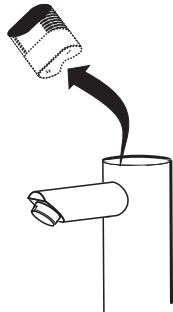
#### Step 2

Loosen screw with hex wrench.  
Remove cap.



#### Step 3

Move battery retainer tab away from battery.  
Remove old battery.  
Dispose of properly.



#### Step 4

Wait three (3) minutes inserting new battery.

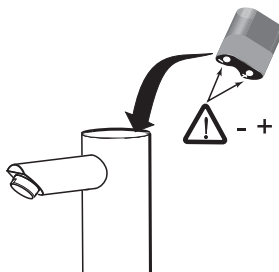


#### Step 5

Insert a new 6 Volt Type CR-P2 lithium battery. The red LED will flash for one (1) minute.

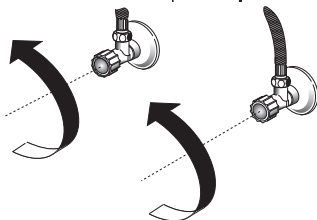
Reinstall battery cover.

If LED doesn't flash or if it just lights up, remove the Battery. Wait three (3) minutes, then reinsert the Battery.



#### Step 6

Open supply stops.



If water flows continuously after inserting the new battery and opening the supply stops, remove the battery. Wait three (3) minutes, then reinsert the battery.

**When assistance is required, please contact Sloan Technical Support at: 1-888-SLOAN-14 (1-888-756-2614).**

### TROUBLESHOOTING GUIDE

#### 1. Faucet DOES NOT function.

- A. Adhesive packaging label affixed over sensor eye. Remove adhesive label from sensor eye.
- B. "Permanent Off" activated. Press button on faucet throat one time.

#### 2. Faucet delivers water in an uncontrolled manner.

- A. Faucet is not working properly. Contact Sloan Technical Support.

#### 3. Faucet DOES NOT deliver any water when sensor is activated.

**INDICATOR: Solenoid valve produces an audible "CLICK."**

- A. Water supply stop(s) closed. Open water supply stop(s).
- B. Water supply stop strainer(s) clogged. Clean water supply stop strainer(s).

**INDICATOR: Solenoid valve DOES NOT produce an audible "CLICK."**

- A. Battery low. Replace battery (refer to battery replacement).

#### 4. Faucet delivers only a slow flow or dribble when sensor is activated.

- A. Water supply stop(s) are partially closed. Completely open water supply stop(s).
- B. Water supply stop strainer(s) clogged. Remove, clean, and reinstall water supply stop strainer(s). Replace strainer(s) if required.
- C. Aerator is clogged. Remove, clean, and reinstall aerator. Replace aerator if required.
- D. Faucet is not working properly. Contact Sloan Technical Support.

#### 5. Faucet DOES NOT stop delivering water or continues to drip after user is no longer detected.

- A. Solenoid Valve is not working properly. Contact Sloan Technical Support.

#### 6. LED indicator blinks when faucet is in use.

- A. Battery low. Replace battery (refer to battery replacement).

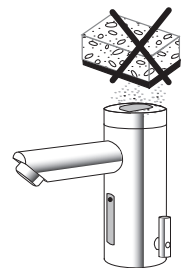
#### 7. The water temperature is too hot or too cold on a faucet connected to hot and cold supply lines.

- A. Supply stops are not adjusted properly. Adjust supply stops.
- B. For models with integral mixing valve – mixing valve is set improperly for the water temperature desired. Rotate mixing valve handle clockwise to decrease water temperature or counterclockwise to increase water temperature.

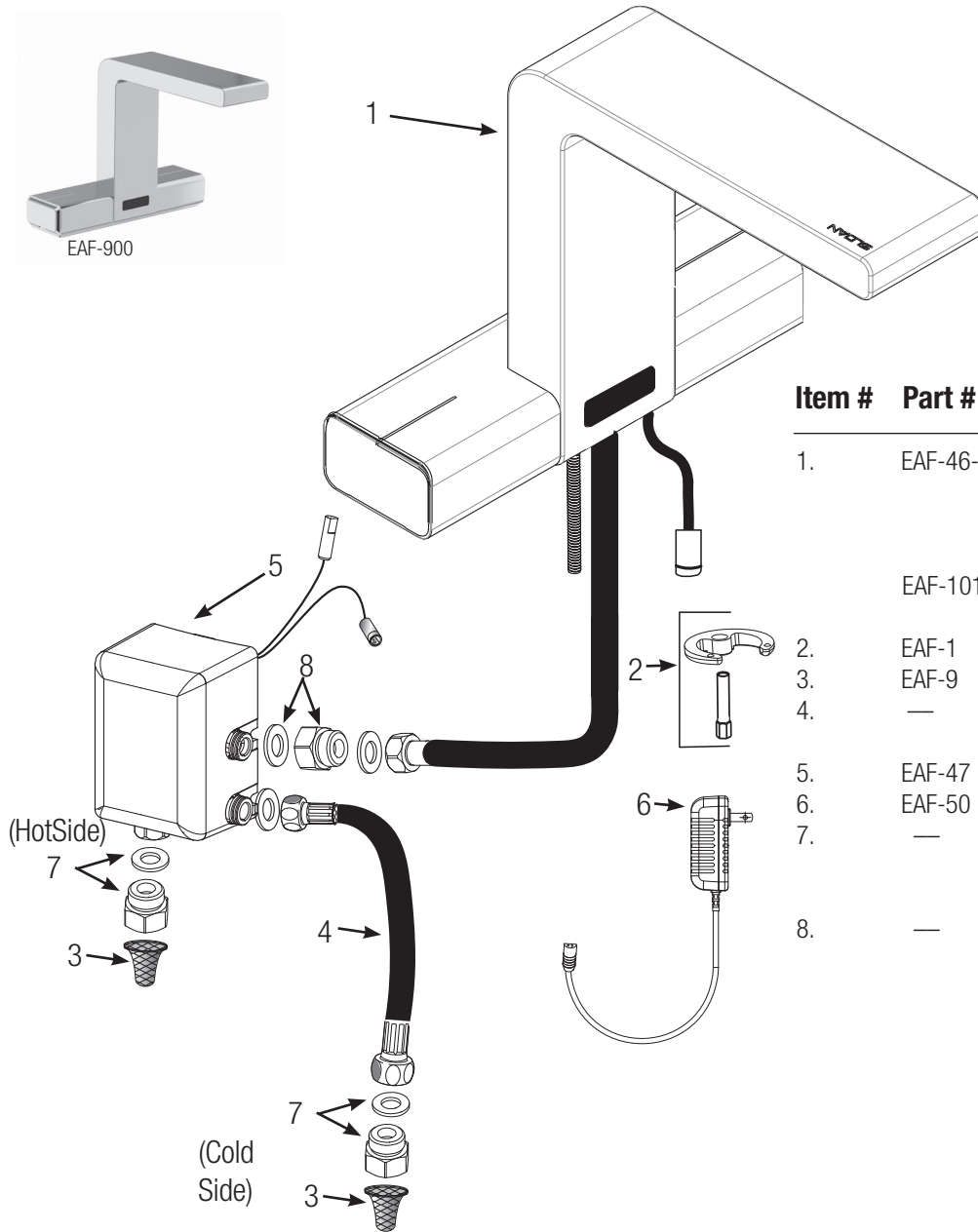
### CARE AND CLEANING

**DO NOT USE** abrasive or chemical cleaners (including chlorine bleach) to clean faucets that may dull the luster and attack the chrome or special decorative finishes. Use **ONLY** mild soap and water, then wipe dry with clean cloth or towel.

While cleaning the bathroom tile, protect the faucet from any splattering of cleaner. Acids and cleaning fluids will discolor or remove chrome plating.



# Optima® EAF-900 Faucet



Item #	Part #	Description
1.	EAF-46-A	Spout assembly (includes 0.5 gpm Spray Head, Sensor assembly, Warm and Cold Temperature Adjustments, Hose, Strainer)
	EAF-1010	0.5gpm (1.9 Lpm) Spray Head (not shown)
2.	EAF-1	Faucet Mounting Kit
3.	EAF-9	Strainer (Filter)
4.	—	13" (330 mm) Flexible Supply Hose 3/8 NPSM X 3/8 NPSM (G3/8XG3/8)
5.	EAF-47	Control Module
6.	EAF-50	Transformer 100-240 VAC/12 VDC-1A
7.	—	Supply Fittings and Gaskets (3/8 compression female x 3/8 NPSM-G3/8)
8.	—	0.5 gpm Flow Restrictor Fitting & Gasket

---

**Optima® EAF-900 Faucet**

---

**1. Faucet does not function properly.**

- A. pause mode is activated.  
End pause mode.
- B. Water Supply stop(s) closed.  
open water supply stop(s).
- C. Filter is clogged.  
Clean the filter.

**2. Faucet does not stop delivering water or continues to run after user is no longer detected.**

- A. Reflection.  
Set the sensor range or activate automatic sensor adjustment.

**3. The water temperature is too hot or too cold on a faucet connected to hot and cold water supply lines.**

- A. Supply stops are not adjusted properly.  
Adjust supply stops.

**4. Faucet delivers water continuously.**

Contact Sloan Valve Company Tech Support  
(see below).

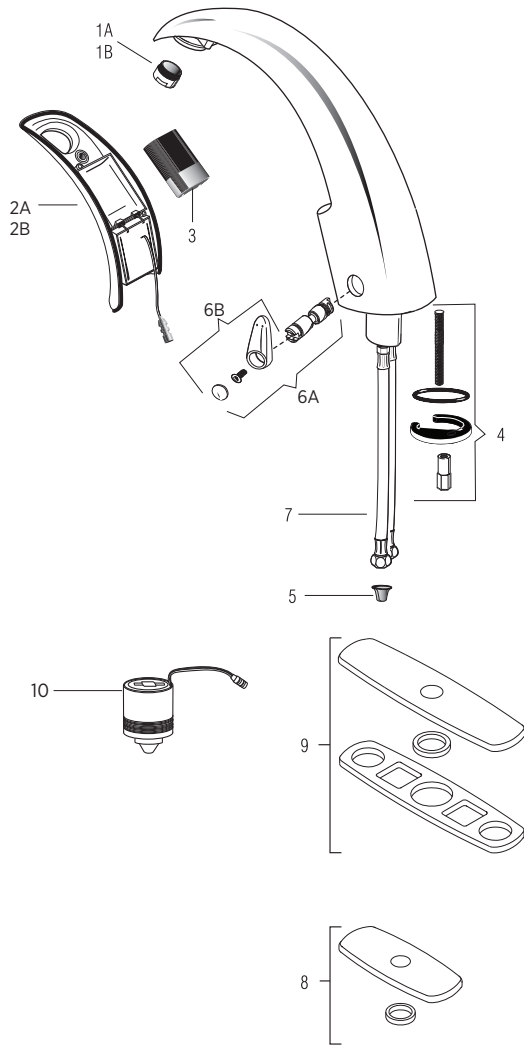
**5. leak at fittings.**

- A. Ensure gaskets are installed between fittings for 3/8" compression to g3/8".
- B. Tighten fittings.

When assistance is required, please contact Sloan Valve Company Technical Support Department at:

**1-888-SLOAN-14 (1-888-756-2614)**

## Optima® EAF-150 Faucet



### PARTS LIST—EAF-150 FAUCETS

Item			
No.	Code No.	Part No.	Description
1A.	<b>0335008</b>	EAF-10	2.2 gpm (8.3 Lpm) Aerator Spray Head
1B.	<b>0335010</b>	EAF-12	0.5 gpm (1.9 Lpm) Spray Head (Multi-Lam)
1C.	<b>0335029</b>	EAF-51	0.35 gpm (1.3 Lpm) Spray Head (Multi-Lam)
1D.	<b>0335021</b>	EAF-22	1.5 gpm (5.6 Lpm) Aerator Spray Head
2A.	<b>0335002</b>	EAF-3-A	Throat Plate Assembly (Battery Models) (from Nov 2018)
2B.	<b>0335003</b>	EAF-4-A	Sensor standard throat plate assembly with i.q. click (IC variation)
3.	<b>3335009</b>	EAF-1000	Battery Replacement Kit (6V 2CR5 with 2.5 mm allen Wrench)
4.	<b>0335000</b>	EAF-1	Faucet Mounting Kit
5.	<b>0335007</b>	EAF-9	Strainer (Filter) 2 required for ISM Models (one per package)
6A.	<b>3335118</b>	EAF-1022	Mixer Handle Assembly and Cartridge (post 2004)
6B.	<b>3335011</b>	EAF-1002	Handle Repair Kit
7.	<b>3335023</b>	EAF-1008	15" (330 mm) Flexible Supply Hose (1) with inlet filter
8.	<b>0362011</b>	SFP-11	Trim Plate for 4" Center-set Sink
9A.	<b>3365303</b>	ETF-608-A	Trim Plate for 8" Center-set Sink
9B.	<b>3362022</b>	SFP22A	Trim Plate for 8" Centerset sink
10.	<b>0335001</b>	EAF-2	Solenoid (6 mm hex recess)

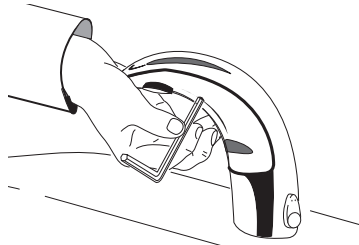
EAF-1001 Mixer Handle Assembly & Cartridge Discontinued (Faucets manufactured prior 2004).  
Use Mixer Handle Assembly Cartridge kit EAF-1022-A (Faucets manufactured post 2004).

## Optima® EAF-150 Faucet

### AUTO SENSOR CALIBRATION OR RANGE ADJUSTMENT

For sensor recalibration, press and release iq button 2 quick times, wait for rapid “temporary off” red LED flashes, then press and hold iq button for several seconds and after four (4) slow red LED flashes, release button and step away for fifteen (15) seconds to allow faucet sensor to recalibrate.

After water turns on then off and red LED flashes are followed by a single green flash (calibration complete), test faucet.



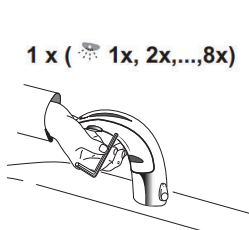
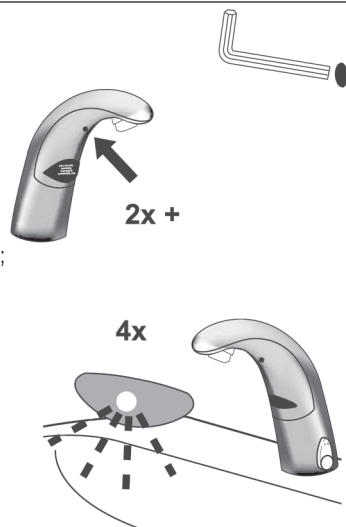
STANDARD MODELS

### MANUAL RANGE ADJUSTMENT

To manually change range, press and release iq button 2 quick times, wait for rapid “temporary off” red LED flashes, then press and hold iq button, there will be four (4) red LED flashes, a pause, then more red LED flashes (up to eight (8) red LED flashes); 1-red LED flash for the shortest range setting, eight (8) flashes for the longest range setting;

Release iq button after desired red LED flash for range setting (#6 is factory setting).

After releasing button, faucet will cycle through auto calibration (approximately 15-seconds). Then test faucet.



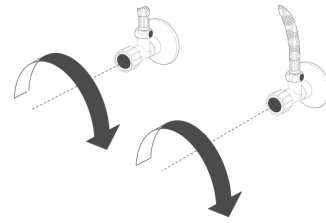
**NOTE:** Updated electronics have visible RED and GREEN LED. Original electronics have only RED LED and range setting is reversed (1 = longest, 8 = shortest)

### BATTERY REPLACEMENT

Replace battery when RED LED indicator flashes each time faucet is in use or when faucet stops functioning.

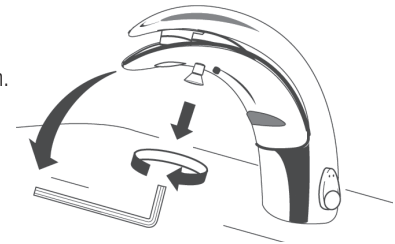
#### Step 1

Close supply stop(s).



#### Step 2

Loosen screw with hex wrench. Remove throat plate. Disconnect electrical lead at connector if required.



#### Step 3

Remove battery cover using a No. 1 Phillips head screwdriver. Remove old battery. Dispose of properly.



#### Step 4

Wait three (3) minutes before inserting new battery.



#### Step 5

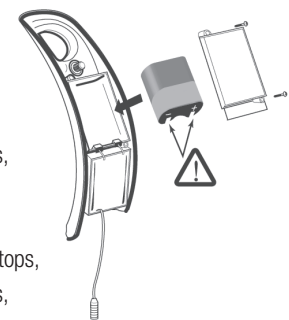
Insert a new 6 volt type 2CR5 lithium battery. The RED LED will flash for one (1) minute.

Reinstall battery cover.

Reconnect electrical lead at connector if previously disconnected. Reinstall throat plate.

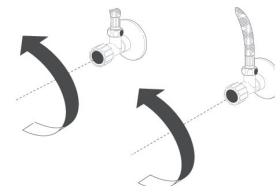
If LED doesn't flash or if it just lights up, remove the battery. Wait three (3) minutes, then reinsert the battery.

If water flows continuously after inserting the new battery and opening the supply stops, remove the battery. Wait three (3) minutes, then reinsert the battery.



#### Step 6

Open supply stops.



# Optima® EAF-150 Faucet

## SERVICE OPERATION

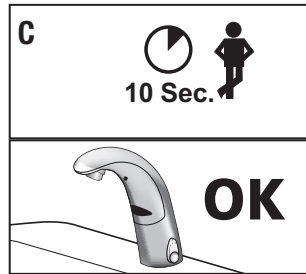
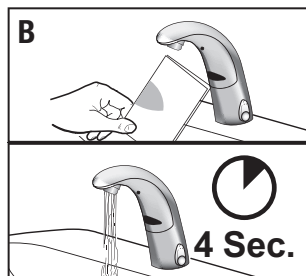
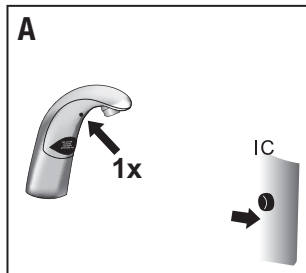
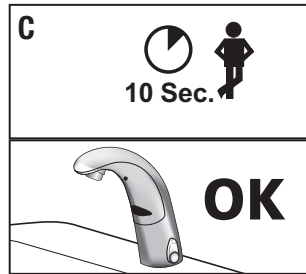
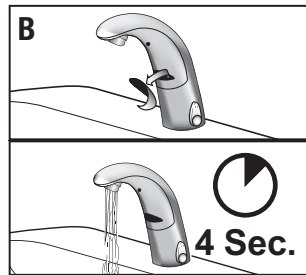
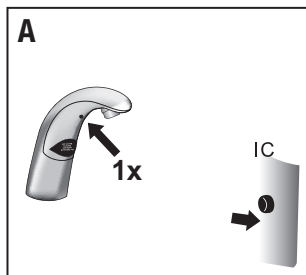
### Prepare for operation

(A) When activating a new faucet (or new sensor replacement) for the first time, after removing protective label from sensor window, press sensor button one (1) time, then place hand or installation instructions within 1 to 2 inches in front of sensor until faucet activates water flow, remove hand or instructions,

water flow stops, red LED flashing ends followed with one (1) Green LED flash (approximately 12 seconds) Test faucet.

**If waterflow DOES NOT start after removing the sticker and the RED LED within the sensor flashes continue with the following procedure!!**

place installation instructions within 1 to 2 inches in front of sensor until faucet activates water flow, then remove instructions, water flow stops, red LED flashing ends followed with one (1) Green LED flash (approximately 12 seconds). Test faucet.



## TROUBLESHOOTING GUIDE

### 1. Problem: Faucet not activating after installation.

**Cause: Not properly started up. See step 5**

Solution: Remove adhesive label from sensor eye.

Solution: Press button on faucet throat one time.

### 2. Problem: Faucet delivers water in an uncontrolled manner.

**Cause: Faucet is not working properly.**

Solution: Contact the Sloan Valve Company Installation Engineering Department (see below).

### 3. Problem: Faucet does not deliver any water when Sensor is activated.

Indicator: Solenoid valve produces an audible "CLICK."

**Cause: Water supply stop(s) closed.**

Solution: Open water supply stop(s).

**Cause: Water supply stop strainer(s) clogged.**

Solution: Clean water supply stop strainer(s).

Indicator: Solenoid valve DOES NOT produce an audible "CLICK."

**Cause: Battery low (EAF-150 Models).**

Solution: Replace battery (refer to Battery Replacement on Previous page).

**Cause: Power failure (EAF-100 Models).**

Solution: Check power supply.

### 4. Problem: Faucet delivers only a slow flow or dribble when Sensor is activated.

**Cause: Water supply stop(s) are partially closed.**

Solution: Completely open water supply stop(s).

**Cause: Water supply stop strainer(s) clogged.**

Solution: Remove, clean, and reinstall water supply stop strainer(s).

Replace strainer(s) if required.

**Cause: Aerator is clogged.**

Solution: Remove, clean, and reinstall Aerator. Replace Aerator if required.

**Cause: Faucet is not working properly.**

Solution: Contact the Sloan Valve Company Installation Engineering Department (see below).

### 5. Problem: Faucet drips between uses or runs on. Solenoid is heard activating

**Cause: Debris caught in solenoid**

Solution: Clean Solenoid Valve - Turn off water, remove and unplug sensor/throat plate assembly with 2.5-mm hex wrench, remove solenoid using 6-mm hex wrench, clean solenoid diaphragm of plumbing debris, clean solenoid base in faucet with a dry towel, install solenoid (do not over-tighten), connect sensor/throat plate and install, dry fire solenoid (listen for clicking), then turn on water and test faucet. Also flush lines at stops as well to remove any plumbing debris in the line, check supply hose filters at that time as well.

### 6. Problem: LED indicator blinks when Faucet is in use.

**Cause: Battery low (EAF-150 Models).**

Solution: Replace battery (refer to Battery Replacement on Previous Page)

### 7. Problem: i.q. - doesn't function (-IC models only)

**Cause: Button is not working properly.**

Solution: Replace sensor throat plate; see parts breakdown on next page for correct sensor throat plate replacement (item #2B).

### 8. Problem: The water temperature is too hot or too cold on a Faucet connected to hot and cold supply lines.

**CAUSE: Supply Stops are not adjusted properly.**

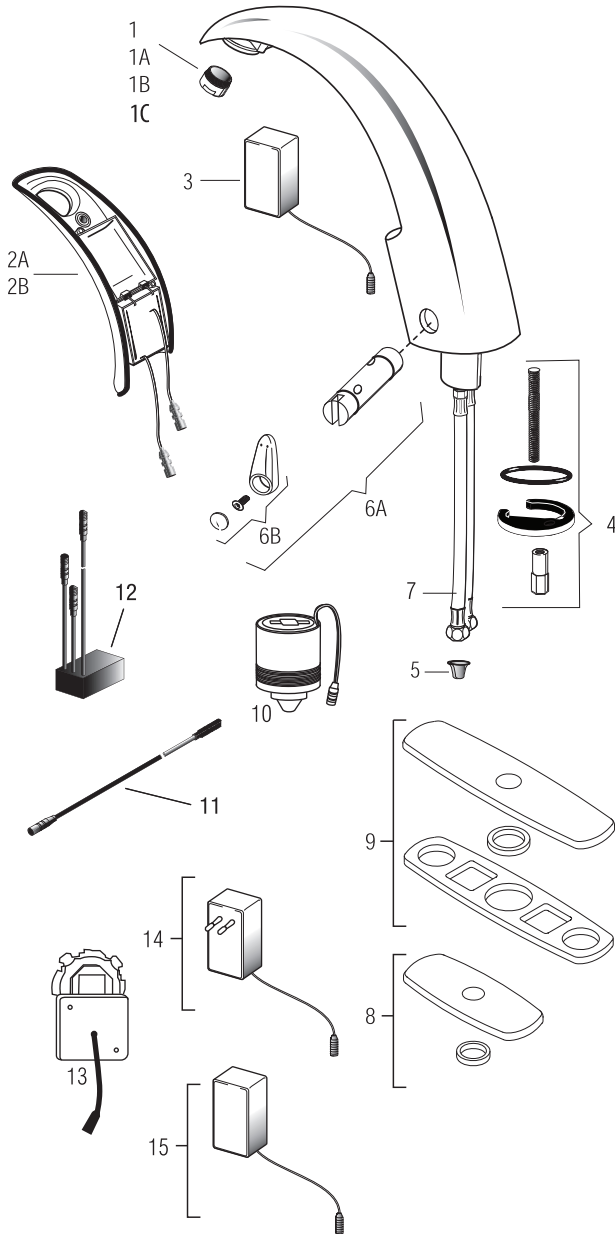
**SOLUTION: Adjust Supply Stops.**

**CAUSE: For models with integral mixing valve - Mixing valve is set improperly for the water temperature desired.**

**SOLUTION: Rotate mixing valve handle clockwise to decrease water temperature or counterclockwise to increase water temperature.**



## Optima® EAF-100 Faucet



### PARTS LIST—EAF-100 FAUCETS

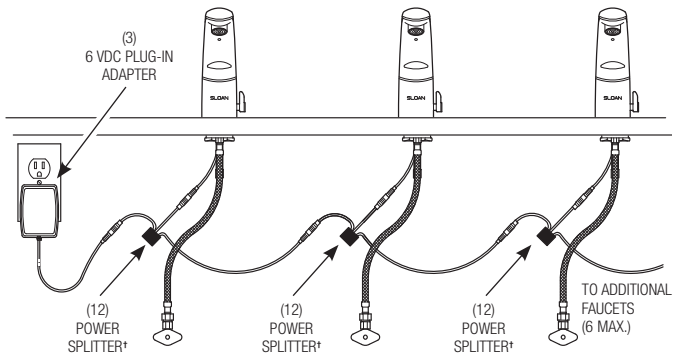
Item No.	Code No.	Part No.	Description
1A	<b>0335021</b>	EAF-22	1.5 gpm (5.7 Lpm) Aerator Spray Head
1B	<b>0335008</b>	EAF-10	2.2 gpm (8.3 Lpm) Aerator Spray Head
1C	<b>0335010</b>	EAF-12	0.5 gpm (1.9 Lpm) Multi-Laminar Spray Head
1D	<b>0335029</b>	EAF-51	0.35 gpm (1.3 Lpm) Spray Head (Multi-Lam)
2A	<b>0335004</b>	EAF-6-A	Sensor Standard Throat Plate Assembly (Plug-in Adapter Models)
2B	<b>0335005</b>	EAF-7-A	Sensor standard throat plate assembly with i.q. click (Plug-in adapter models, IC variation)
3	<b>0335009</b>	EAF-11	90-264 VAC/6.75 VDC Plug-In Adapter (US)
4	<b>0335000</b>	EAF-1	Faucet Mounting Kit
5	<b>0335007</b>	EAF-9	Strainer (Filter) (One per package) - Note: 2 required for ISM Models
6A	<b>3335118</b>	EAF-1022-A	Side Mixer Cartridge & Handle
6B	<b>3335011</b>	EAF-1002	Handle Repair Kit
7	<b>3335023</b>	EAF-1008	15" (330 mm) Flexible Supply Hose (1)
8	<b>0362011</b>	SFP-11	Trim Plate for 4" Center-set Sink
9	<b>3362022</b>	SFP-22	Trim Plate for 8" Center-set Sink
10	<b>0335001</b>	EAF-2	Solenoid (Solenoid (6 mm hex recess))
11	<b>0335024</b>	EAF-24-A	11-13/16" (300 mm) Extension Cable
	<b>0335025</b>	EAF-25-A	47-1/4" (1200 mm) Extension Cable
	<b>0335015</b>	EAF-17-A	126" (3200 mm) Extension Cable
12.†	<b>0335044</b>	EAF-44-A	Power Splitter†
13	<b>0335037</b>	EAF-37	6 VDC Box Mount Adapter
14	<b>0335038</b>	EAF-38	90-264 VAC/6.75 VDC Plug-In Adapter (EURO)
15	<b>0335039</b>	EAF-39	90-264 VAC/6.75 VDC Plug-In Adapter (UK)

† EAF-44 replaces the separate EAF-23-A Splitter Cable and (Discontinued) EAF-28 Capacitor, which is sold separately.

EAF-1001 Mixer Handle Assembly and Cartridge (prior to 2004) Discontinued

EAF100 faucets require EAF44 POWER SPLITTER in ganging (or daisy chain) application.

### Electrical Connection for up to Six (6) Faucets Using One (1) Adapter

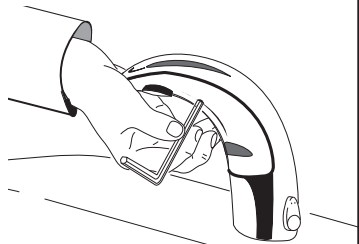


\* EAF-100 faucets require use of EAF-44-A (12) Power Splitter in Ganging (Daisy Chain) Applications.

## Optima® EAF-100 Faucet

### AUTO SENSOR CALIBRATION OR RANGE ADJUSTMENT

For sensor recalibration, press and release iq button 2 quick times, wait for rapid "temporary off" red LED flashes, then press and hold iq button for several seconds and after four (4) slow red LED flashes, release button and step away for fifteen (15) seconds to allow faucet sensor to recalibrate.

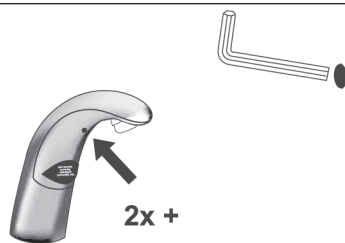


STANDARD MODELS

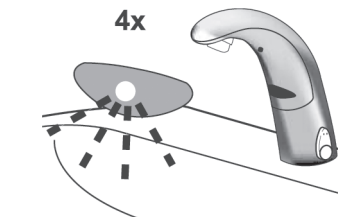
After water turns on then off and red LED flashes are followed by a single green flash (calibration complete), test faucet.

### MANUAL RANGE ADJUSTMENT

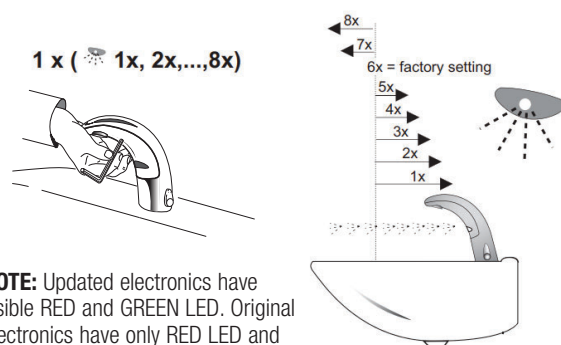
To manually change range, press and release iq button 2 quick times, wait for rapid "temporary off" red LED flashes, then press and hold iq button, there will be four (4) red LED flashes, a pause, then more red LED flashes (up to eight (8) red LED flashes); 1-red LED flash for the shortest range setting, eight (8) flashes for the longest range setting;



Release iq button after desired red LED flash for range setting (#6 is factory setting).



After releasing button, faucet will cycle through auto calibration (approximately 15-seconds). Then test faucet.

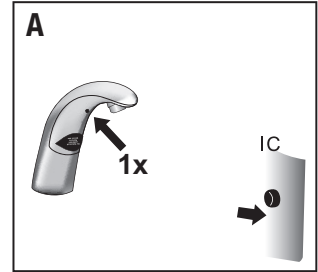


**NOTE:** Updated electronics have visible RED and GREEN LED. Original electronics have only RED LED and range setting is reversed (1 = longest, 8 = shortest)

### SERVICE OPERATION

Prepare for operation

A. Press the button once.



B. Remove sticker.



C. Water will flow 4 seconds

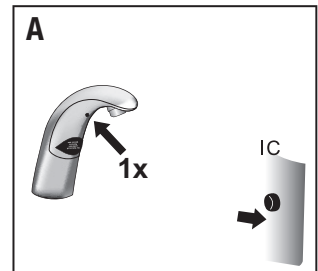


D. Wait 10 seconds, then the faucet is ready for use.

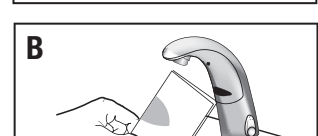


If waterflow doesn't start after removing the sticker and the red led within the sensor flashes continue with the following procedure!!

A. Press the button once.



B. Hold a white sheet of paper 1.5" (40 mm) in front of sensor until water flows for 4 seconds



C. Remove paper.



D. Wait 10 seconds, then the faucet is ready for use.



## Optima® EAF-100 Faucet

### TROUBLESHOOTING GUIDE

#### 1. Faucet DOES NOT function.

- A. Adhesive packaging label affixed over sensor eye. Remove adhesive label from sensor eye.
- B. "Permanent Off" activated. Press button on faucet throat one time.

#### 2. Faucet delivers water in an uncontrolled manner.

- A. Faucet is not working properly. Contact Sloan Technical Support.

#### 3. Faucet does not deliver any water when sensor is activated.

INDICATOR: Solenoid valve produces an audible "CLICK."

- A. Water supply stop(s) closed. Open water supply stop(s).
- B. Water supply stop strainer(s) clogged. Clean water supply stop strainer(s).

INDICATOR: Solenoid valve DOES NOT produce an audible "CLICK."

- A. Power failure (EAF-100 Models). Check power supply.

#### 4. Faucet delivers only a slow flow or dribble when sensor is activated.

- A. Water supply stop(s) are partially closed. Completely open water supply stop(s).
- B. Water supply stop strainer(s) clogged. Remove, clean, and reinstall water supply stop strainer(s). Replace strainer(s) if required.
- C. Aerator is clogged. Remove, clean, and reinstall aerator. Replace aerator if required.
- D. Faucet is not working properly. Contact Sloan Technical Support.

#### 5. Faucet DOES NOT stop delivering water or continues to drip after user is no longer detected.

- A. Clean Solenoid Valve - Turn off water, remove and unplug sensor/throat plate assembly with 2.5-mm hex wrench, remove solenoid using 6-mm hex wrench, clean solenoid diaphragm of plumbing debris, clean solenoid base in faucet with a dry towel, install solenoid (do not over-tighten), connect sensor/throat plate and install, dry fire solenoid (listen for clicking), then turn on water and test faucet. Also flush lines at stops as well to remove any plumbing debris in the line, check supply hose filters at that time as well.

#### 6. i.q.-cliq DOES NOT function (-IC models only)

- A. Button is not working properly. Contact Sloan Technical Support.

#### 7. The water temperature is too hot or too cold on a faucet connected to hot and cold supply lines.

- A. Supply stops are not adjusted properly. Adjust supply stops.
- B. For models with integral mixing valve — mixing valve is set improperly for the water temperature desired. Rotate mixing valve handle clockwise to decrease water temperature or counterclockwise to increase water temperature.

### CARE AND CLEANING

clean faucets that may dull the luster and attack the chrome or special decorative finishes. Use **ONLY** mild soap and water, then wipe dry with clean cloth or towel.

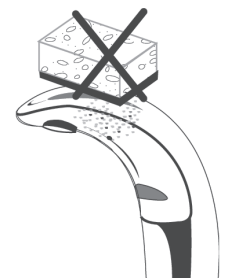
While cleaning the bathroom tile, protect the faucet from any splattering of cleaner. Acids and cleaning fluids will discolor or remove chrome plating.

**When assistance is required, please contact Sloan Technical Support at: 1-888-SLOAN-14 (1-888-756-2614).**

**DO NOT USE** abrasive or chemical cleaners (including chlorine bleach) to clean faucets that may dull the luster and attack the chrome or special decorative finishes. Use **ONLY** mild soap and water, then wipe dry with clean cloth or towel.

While cleaning the bathroom tile, protect the faucet from any splattering of cleaner. Acids and cleaning fluids will discolor or remove chrome plating.

When assistance is required, please contact Sloan Technical Support at: 1-888-SLOAN-14 (1-888-756-2614).

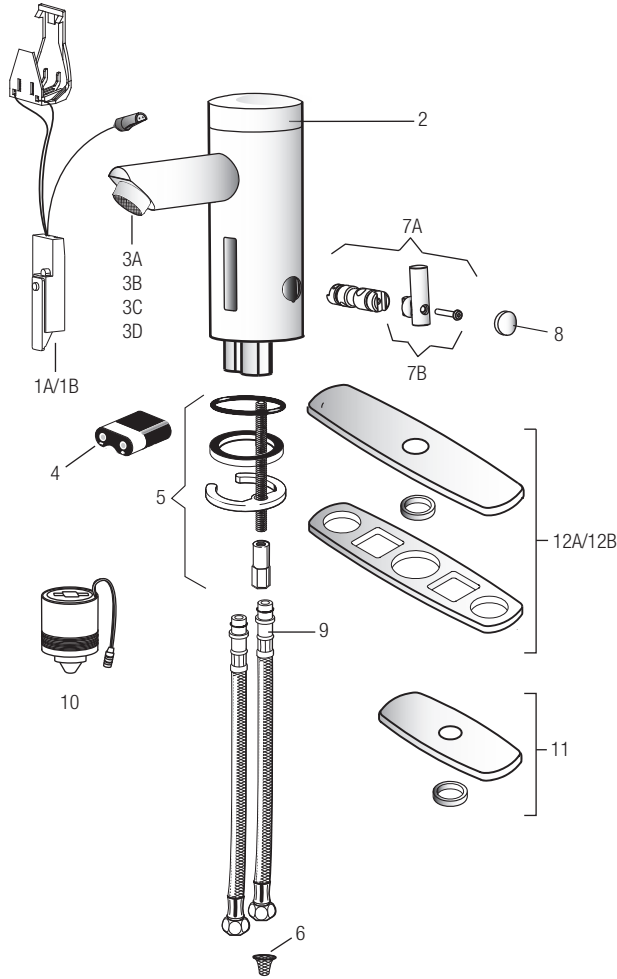


## Optima® EAF-250 Faucet



EAF-250

EAF-250 Series Faucet date code 1101 and newer. Product revised to make spray head vandal resistant without need for special spray. EAF-15 only works on product date code 1052 and older.



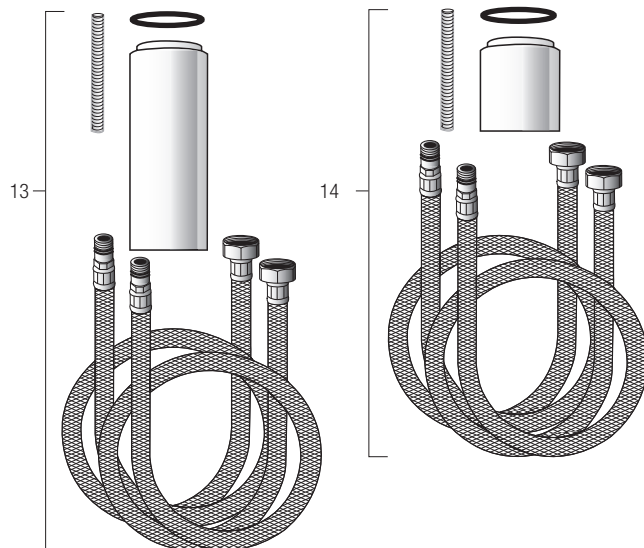
### PARTS LIST—EAF-250 FAUCETS

Item No.	Code No.	Part No.	Description
1A.	<b>0335019</b>	EAF-21-A	Faucet Sensor Assembly without i.q.-cliq™
1B.	<b>0335018</b>	EAF-20-A	Faucet Sensor Assembly with i.q.-cliq™
2.	<b>0335027</b>	EAF-27	Cap
3A.	<b>0335012</b>	EAF-15	0.5 gpm (1.9 Lpm) VR Aerator Spray Head – Pre 03/2011
3B.	<b>0335008</b>	EAF-10	2.2 gpm (8.3 Lpm) Aerator Spray Head
3C.	<b>0335011</b>	EAF-13	2.2 gpm (8.3 Lpm) Laminar Flow Spray Head
3D.	<b>0335029</b>	EAF-51	0.35 gpm (1.3 Lpm) Multi-Laminar Spray Head
4.	<b>3335018</b>	EAF-1003	Battery Replacement Kit (CR-P2)
5.	<b>0335000</b>	EAF-1	Faucet Mounting Kit
6.	<b>0335007</b>	EAF-9	Strainer (Filter)
7A.	<b>0335019</b>	EAF-1004	Mixer Handle Assembly and Cartridge
7B.	<b>3335020</b>	EAF-1005	Handle Repair Kit
8.	<b>3335022</b>	EAF-1007	Handle Cap
9.	<b>3335023</b>	EAF-1008	13" (330 mm) Flexible Supply Hose (1)
10.	<b>0335001</b>	EAF-2	Solenoid (Solenoid (6 mm hex recess))
11.	<b>3365468</b>	ETF-312-A	Trim Plate for 4" Centerset Sink
	<b>0362011</b>	SFP-11-A	Use when needing 4" for EAF-35-A extension
12A.	<b>3365024</b>	ETF-510-A	Trim Plate for 8" Centerset Sink
12B.	<b>3362022</b>	SFP-22-A	Use when needing 8" for EAF-35-A extension
13.	<b>3335035</b>	EAF-35-A	Faucet Extension Kit (6 3/4" length)
14.	<b>3335046</b>	EAF-40-A	2-1/4" Faucet Extension Kit. Raises faucet such that outlet height complies with California Office of Statewide Health Planning and Development

— = Not shown in illustration

### i.q.-cliq™ SETTINGS

Function	Press Button	LED Signal
Continuous Run – 2 minute default setting (adjustable from 1 – 20 minutes)	1 time for 2 seconds	5 short flashes
reset:	1 time or will reset automatically after 2 minutes	
Temporary Off	2 times (double click) periodic flashing	5 short flashes followed by
reset:	1 time or will reset automatically after 2 minutes	
Auto Set Range Adjustment	2 times (double click) and then 1 time for 5 seconds	5 short flashes followed by 4 short flashes



## Optima® EAF-250 Faucet

### TROUBLESHOOTING GUIDE

#### 1. Faucet DOES NOT function.

- A. "Permanent Off" activated. Press button on faucet throat one time.

#### 2. Faucet delivers water in an uncontrolled manner.

- A. Faucet is not working properly. Contact Sloan Technical Support.

#### 3. Faucet DOES NOT deliver any water when Sensor is activated.

**INDICATOR: Solenoid valve produces an audible "CLICK."**

- A. Water supply stop(s) closed. Open water supply stop(s).  
 B. Water supply stop strainer(s) clogged. Remove, clean, and reinstall water supply stop strainer(s). Replace strainer(s) if required.

**INDICATOR: Solenoid valve DOES NOT produce an audible "CLICK."**

- A. Battery low (battery powered models). Replace battery (refer to Battery Replacement on page 250).

#### 4. Faucet delivers only a slow flow or dribble when sensor is activated.

- A. Water supply stop(s) are partially closed. Completely open water supply stop(s).  
 B. Water supply stop strainer(s) clogged. Remove, clean, and reinstall water supply stop strainer(s). Replace strainer(s) if required.  
 C. Aerator is clogged. Remove, clean, and reinstall Aerator. Replace Aerator if required.  
 D. Faucet is not working properly. Contact Sloan Technical Support.

#### 5. Faucet DOES NOT stop delivering water or continues to drip after user is no longer detected.

- A. Faucet is not working properly. Contact Sloan Technical Support.

#### 6. LED indicator blinks when faucet is in use.

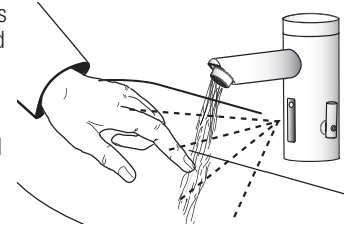
- A. Battery low (battery powered models). Replace battery (refer to Battery Replacement on page 250).

#### 7. The water temperature is too hot or too cold on a faucet connected to hot and cold supply lines.

- A. Supply stops are not adjusted properly. Adjust supply stops.  
 B. For models with integral mixing valve – Mixing valve is set improperly for the water temperature desired. Rotate mixing valve handle clockwise to decrease water temperature or counterclockwise to increase water temperature.

### OPERATION

As the user's hands enter the beam's effective range, the beam is reflected back into the sensor receiver and activates the solenoid valve allowing water to flow from the faucet. Water will flow until the hands are removed or until the faucet reaches its automatic time out limit setting.

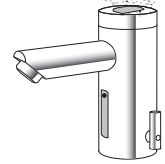


### CARE AND CLEANING

**DO NOT use** abrasive or chemical cleaners (including chlorine bleach) to clean faucet that may dull the luster and attack the chrome or special decorative finishes. Use **ONLY** mild soap and water, then wipe dry with clean cloth or towel.



While cleaning the bathroom tile, protect the faucet from any splattering of cleaner. Acids and cleaning fluids will discolor or remove chrome plating.



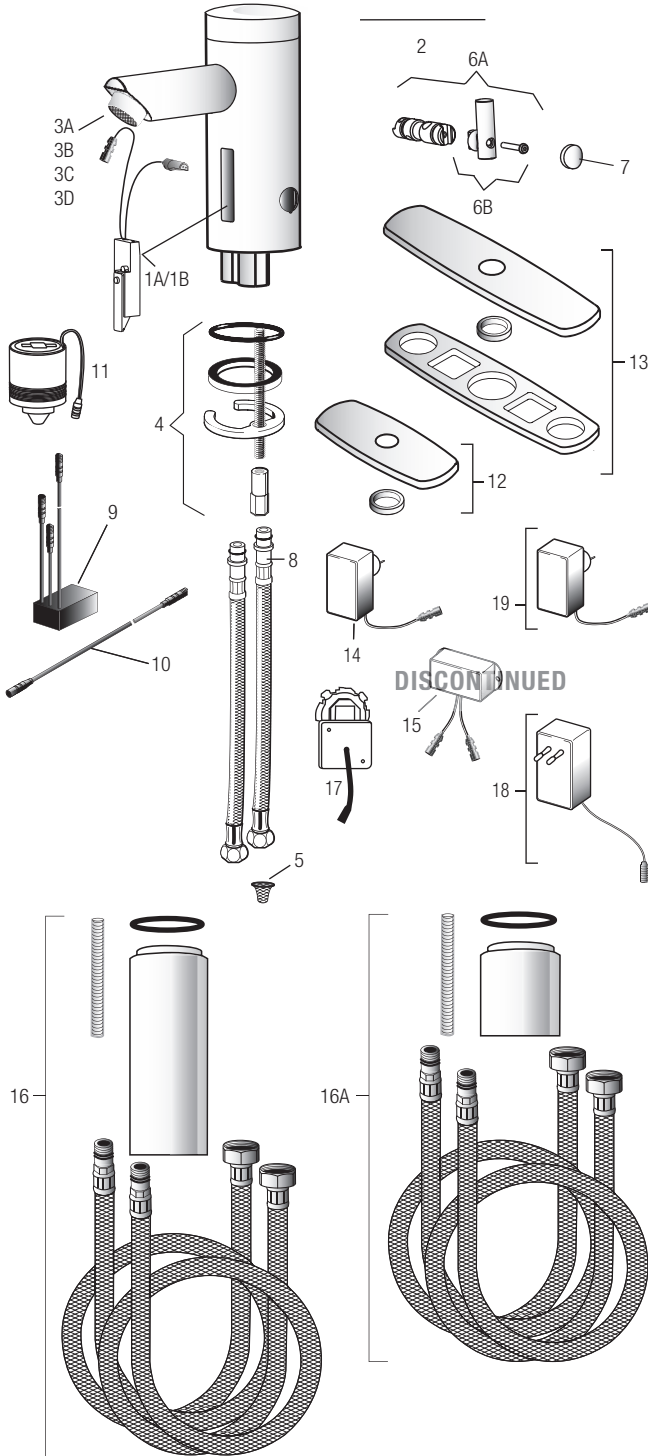
**When assistance is required, please contact Sloan Technical Support at: 1-888-SLOAN-14 (1-888-756-2614).**

## Optima® EAF-200 Faucet



EAF-200

EAF-200 Series Faucet date code 1101 and newer. Product revised to make spray head vandal resistant without need for special spray. EAF-15 only works on product date code 1052 and older.



### PARTS LIST—EAF-200 FAUCETS

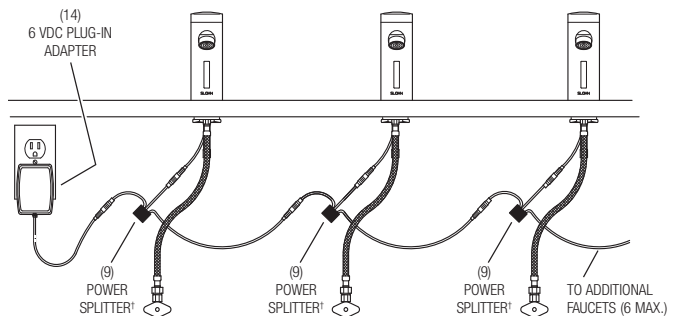
Item No.	Code No.	Part No.	Description
1A.	0335016	EAF-18-A	Faucet Sensor Assembly with i.q.-cliq
1B.	0335017	EAF-19-A	Faucet Sensor Assembly without i.q.-cliq
2.	0335027	EAF-27	Cap
3A.	0335012	EAF-15	0.5 gpm (1.9 Lpm) VR Aerator Spray Head – Pre-03/2011
3B.	0335008	EAF-10	2.2 gpm (8.3 Lpm) Aerator Spray Head
3C.	0335011	EAF-13	2.2 gpm (8.3 Lpm) Laminar Flow Spray Head
3D.	0335029	EAF-51	0.35 gpm (1.3 Lpm) Multi-Laminar Spray Head
4.	0335000	EAF-1	Faucet Mounting Kit
5.	0335007	EAF-9	Strainer (Filter)
6A.	0335019	EAF-1004	Mixer Handle Assembly and Cartridge
6B.	3335020	EAF-1005	Handle Repair Kit
7.	3335022	EAF-1007	Handle Cap
8.	3335023	EAF-1008	13" (330 mm) Flexible Supply Hose (1)
9.	0335044	EAF-44	Power Splitter†
10.	0335024	EAF-24-A	11-13/16" (300 mm) Ext. Cable (Model EAF-200)
	0335025	EAF-25-A	47-1/4" (1200 mm) Ext. Cable (Model EAF-200)
	0335015	EAF-17-A	126" (3200 mm) Ext. Cable (Model EAF-200)
11.	0335001	EAF-2	Solenoid
12.	3365468	ETF-312-A	Trim Plate for 4" Centerset Sink
13.	3365024	ETF-510-A	Trim Plate for 8" Centerset Sink
14.	0335009	EAF-11	(Model EAF-200) 90-264 VAC/6.75 VDC Plug-In Adapter (US)
15.	0335028	EAF-28	Capacitor Box (Model EAF-200) – <b>DISCONTINUED</b>
16.	3335035	EAF-35-A	Faucet Extension Kit
16A.	3335046	EAF-40-A	2-1/4" Faucet Extension Kit. Raises faucet such that outlet height complies with California Office of Statewide Health Planning and Development
17.	0335037	EAF-37	6 VDC Box Mount Voltage Adapter
18.	0335038	EAF-38	90-264 VAC/6.75 VDC Plug-In Adapter (EURO)
19.	0335039	EAF-39	90-264 VAC/6.75 VDC Plug-In Adapter (UK)

†EAF-44 replaces the separate EAF-23-A Splitter Cable and EAF-28 Capacitor, which is sold separately.

### i.q.-cliq SETTINGS

Function	Press Button	LED Signal
Continuous Run – 2 minute default setting (adjustable from 1 – 20 minutes)	1 time for 2 seconds	5 short flashes
reset:	1 time or will reset automatically after 2 minutes	
Temporary Off	2 times (double click) by periodic flashing	5 short flashes followed by periodic flashing
reset:	1 time or will reset automatically after 2 minutes	
Auto Set Range Adjustment	2 times (double click) and then 1 time for 5 seconds	5 short flashes followed by 4 short flashes

### Electrical Connection for up to Six (6) Faucets Using One (1) Adapter





## Optima® EAF-200 Faucet

### TROUBLESHOOTING GUIDE

#### 1. Faucet DOES NOT function.

- A. "Permanent Off" activated. Press button on faucet throat one time.

#### 2. Faucet delivers water in an uncontrolled manner.

- A. Faucet is not working properly. Contact Sloan Technical Support.

#### 3. Faucet DOES NOT deliver any water when Sensor is activated.

INDICATOR: Solenoid valve produces an audible "CLICK."

- A. Water supply stop(s) closed. Open water supply stop(s).  
 B. Water supply stop strainer(s) clogged. Remove, clean, and reinstall water supply stop strainer(s). Replace strainer(s) if required.

INDICATOR: Solenoid valve DOES NOT produce an audible "CLICK."

- A. Power failure (EAF-200 Models). Check power supply.

#### 4. Faucet delivers only a slow flow or dribble when sensor is activated.

- A. Water supply stop(s) are partially closed. Completely open water supply stop(s).  
 B. Water supply stop strainer(s) clogged. Remove, clean, and reinstall water supply stop strainer(s). Replace strainer(s) if required.  
 C. Aerator is clogged. Remove, clean, and reinstall Aerator. Replace Aerator if required.  
 D. Faucet is not working properly. Contact Sloan Technical Support.

#### 5. Faucet DOES NOT stop delivering water or continues to drip after user is no longer detected.

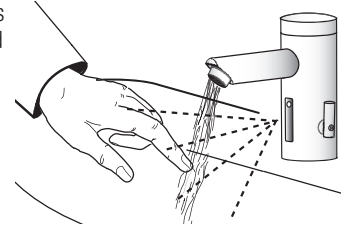
- A. Faucet is not working properly. Contact Sloan Technical Support.

#### 6. The water temperature is too hot or too cold on a faucet connected to hot and cold supply lines.

- A. Supply Stops are not adjusted properly. Adjust Supply Stops.  
 B. For models with integral mixing valve – Mixing valve is set improperly for the water temperature desired. Rotate mixing valve handle clockwise to decrease water temperature or counterclockwise to increase water temperature.

### OPERATION

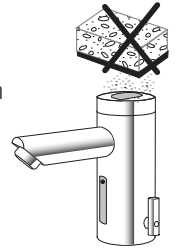
As the user's hands enter the beam's effective range, the beam is reflected back into the sensor receiver and activates the solenoid valve allowing water to flow from the faucet. Water will flow until the hands are removed or until the faucet reaches its automatic time out limit setting.



### CARE AND CLEANING INSTRUCTIONS

**DO NOT USE** abrasive or chemical cleaners including chlorine bleach) to clean faucet that may dull the luster and attack the chrome or special decorative finishes. Use **ONLY** mild soap and water, then wipe dry with clean cloth or towel.

While cleaning the bathroom tile, protect the faucet from any splattering of cleaner. Acids and cleaning fluids will discolor or remove chrome plating.



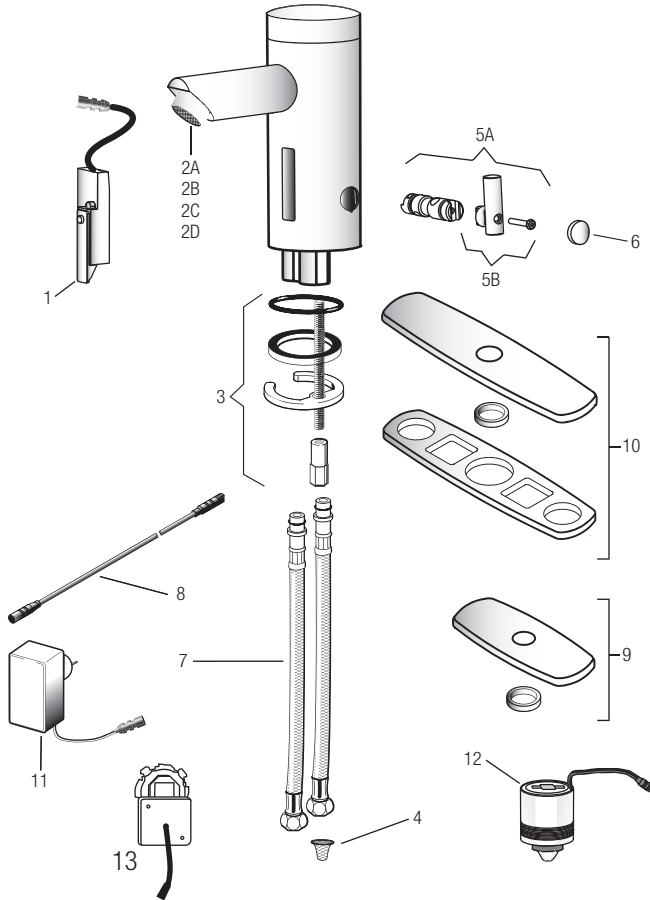
**When assistance is required, please contact Sloan Technical Support at: 1-888-SLOAN-14 (1-888-756-2614).**

## Optima® EAF-225 Faucet



EAF-225

EAF-225 Series Faucet date code 1101 and newer. Product revised to make spray head vandal resistant without need for special spray. EAF-15 only works on product date code 1052 and older.



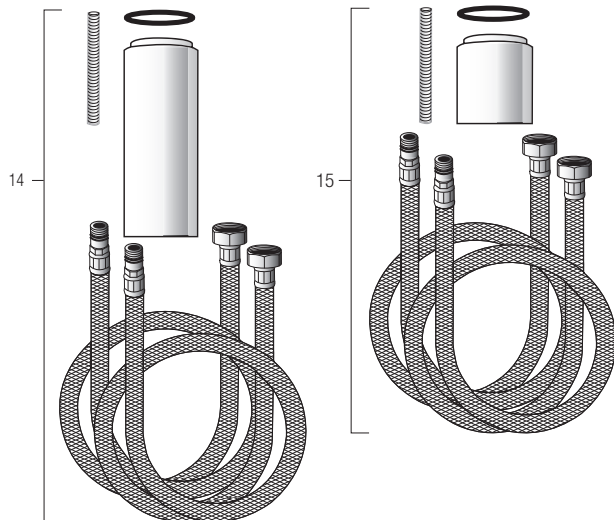
### PARTS LIST—EAF-225 FAUCET

Item No.	Code No.	Part No.	Description
1.	<b>0335016</b>	EAF-18-A	Faucet Sensor Assembly with i.q.-Click
2A.	<b>0335012</b>	EAF-15	0.5 gpm (1.9 Lpm) VR Pressure Compensating Spray Head – Pre 03/2011
2B.	<b>0335021</b>	EAF-22	1.5 gpm (5.6 Lpm) Pressure Compensating Aerated Stream
2C.	<b>0335008</b>	EAF-10	2.2 gpm (8.3 Lpm) Aerator Spray Head
2D.	<b>0335011</b>	EAF-13	2.2 gpm (8.3 Lpm) Laminar Flow Spray Head
3.	<b>0335000</b>	EAF-1	Faucet Mounting Kit
4.	<b>0335007</b>	EAF-9	Strainer (Filter)
5A.	<b>3335019</b>	EAF-1004	Mixer Handle Assembly and Cartridge
5B.	<b>3335020</b>	EAF-1005	Handle Repair Kit
6.	<b>3335022</b>	EAF-1007	Handle Cap
7.	<b>3335023</b>	EAF-1008	13" (330 mm) Flexible Supply Hose (1)
8.	<b>0335024</b>	EAF-24-A	11-13/16" (300 mm) Extension Cable
	<b>0335025</b>	EAF-25-A	47-1/4" (1200 mm) Extension Cable
	<b>0335015</b>	EAF-17-A	126" (3200 mm) Extension Cable
9.	<b>3365468</b>	ETF-312-A	Trim Plate for 4" Centerset Sink
10.	<b>3365024</b>	ETF-510-A	Trim Plate for 8" Centerset Sink
11.	<b>0335009</b>	EAF-11	Plug-in Adapter
12.	<b>0335001</b>	EAF-2	Solenoid
13.	<b>0335037</b>	EAF-37	6 VDC Box Mount Voltage Adapter

Note: Multiple Lumino faucets CANNOT be installed with one voltage adapter due to power requirements of light ring. (1) faucet per (1) EAF-37

### i.q.-cliq SETTINGS

Function	Press Button	LED Signal
Continuous Run – 2 minute default setting (adjustable from 1 – 20 minutes)	1 time for 2 seconds	5 short flashes
reset:	1 time or will reset automatically after 2 minutes	
Temporary Off	2 times (double click) periodic flashing	5 short flashes followed by
reset:	1 time or will reset automatically after 2 minutes	
Auto Set Range Adjustment	2 times (double click) and then 1 time for 5 seconds	5 short flashes followed by 4 short flashes



## Optima® EAF-225 Faucet

### TROUBLESHOOTING GUIDE

#### 1. Faucet DOES NOT function.

- A. Adhesive packaging label affixed over sensor eye. Remove adhesive label from sensor eye.
- B. "Permanent Off" activated. Press button on faucet throat one time.

#### 2. Faucet delivers water in an uncontrolled manner.

- A. Faucet is not working properly. Contact Sloan Technical Support.

#### 3. Faucet DOES NOT deliver any water when Sensor is activated.

INDICATOR: Solenoid valve produces an audible "CLICK."

- A. Water supply stop(s) closed. Open water supply stop(s).
- B. Water supply stop strainer(s) clogged. Remove, clean, and reinstall water supply stop strainer(s). Replace strainer(s) if required.

INDICATOR: Solenoid valve DOES NOT produce an audible "CLICK."

- A. Battery low (battery powered models). Replace battery.
- B. Power failure (EAF-200 Models). Check power supply.

#### 4. Faucet delivers only a slow flow or dribble when sensor is activated.

- A. Water supply stop(s) are partially closed. Completely open water supply stop(s).
- B. Water supply stop strainer(s) clogged. Remove, clean, and reinstall water supply stop strainer(s). Replace strainer(s) if required.

#### 5. Faucet delivers only a slow flow or dribble when sensor is activated.

- A. Aerator is clogged. Remove, clean, and reinstall Aerator. Replace Aerator if required.
- B. Faucet is not working properly. Contact Sloan Technical Support.

#### 6. Faucet DOES NOT stop delivering water or continues to drip after user is no longer detected.

- A. Faucet is not working properly. Contact Sloan Technical Support.

#### 7. LED indicator blinks when faucet is in use.

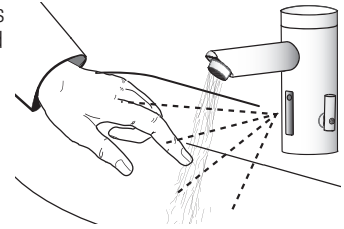
- A. Battery low (battery powered models). Replace battery.

#### 8. The water temperature is too hot or too cold on a faucet connected to hot and cold supply lines.

- A. Supply Stops are not adjusted properly. Adjust supply stops.
- B. For models with integral mixing valve — Mixing valve is set improperly for the water temperature desired. Rotate mixing valve handle clockwise to decrease water temperature or counterclockwise to increase water temperature.

### OPERATION

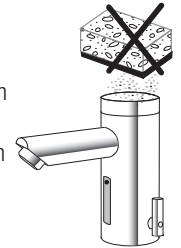
As the user's hands enter the beam's effective range, the beam is reflected back into the sensor receiver and activates the solenoid valve allowing water to flow from the faucet. Water will flow until the hands are removed or until the faucet reaches its automatic time out limit setting.



### CARE AND CLEANING INSTRUCTIONS

**DO NOT USE** abrasive or chemical cleaners (including chlorine bleach) to clean faucet that may dull the luster and attack the chrome or special decorative finishes. Use **ONLY** mild soap and water, then wipe dry with clean cloth or towel.

While cleaning the bathroom tile, protect the faucet from any splattering of cleaner. Acids and cleaning fluids will discolor or remove chrome plating.



**When assistance is required, please contact Sloan Technical Support at: 1-888-SLOAN-14 (1-888-756-2614).**

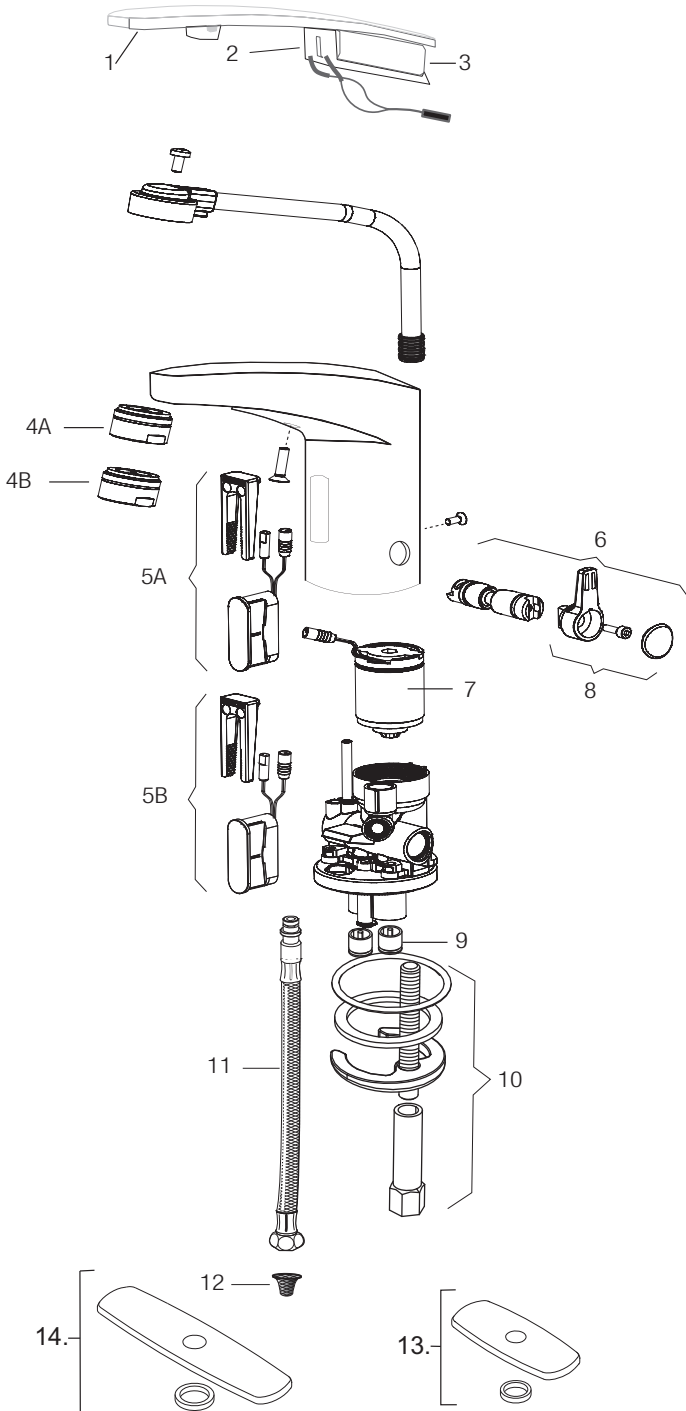
## Optima® EAF-350 Faucets



EAF-350-ISM



EAF-350



### PARTS LIST—EAF-350 FAUCETS

Item No.	Code No.	Part No.	Description
1.	<b>0335040</b>	EAF-60	Cover
2.	<b>0335043</b>	EAF-61	Cover Clip – Battery Support
3.	<b>3335018</b>	EFX-1003A	Battery Replacement Kit (with 2.5 mm hex key)
4A.	<b>0335021</b>	EAF-22	1.5 gpm (5.6 Lpm) AER Spray Head
4B.	<b>0335036</b>	EAF-63	0.5 gpm (1.9 Lpm) AER Spray Head
5A.	<b>3335116</b>	EAF-1021-A	Electronic Sensor (15 Second Shut-off) with Fixing Clip Kit (0.5 gpm only)
5B.	<b>3335113</b>	EAF-1018-A	Electronic Sensor (7 Second Shut-off) with Fixing Clip Kit (1.5 gpm only)
6.	<b>3335114</b>	EAF-1019-A	Mixer Handle Assembly and Cartridge Kit
7.	<b>0335001</b>	EAF-2	Solenoid Valve Cartridge (IQ Faucet) (6 mm hex recess)
8.	<b>0335115</b>	EAF-1020-A	Handle Repair Kit
9.	<b>0335006</b>	EAF-8	Back Check (2 required for ISM models)
10.	<b>0335000</b>	EAF-1	Faucet Mounting Kit
11.	<b>3335023</b>	EAF-1008	13" (330 mm) Flexible Supply Hose (1) (2 required for ISM models)
12.	<b>0335007</b>	EAF-9	Filter (2 required for ISM models)
13.	<b>0362011</b>	SFP11	4" Trimplate
14.	<b>3362022</b>	SFP-22	8" Trimplate

### IR-Click Settings

Function	Press Button	LED Signal
Temporary OFF (2 min)	1. 1 time for 2 seconds 2. 2 times (double push)	1. LED Green (1) 2. LED Red pulsating flashes
reset:	1 time or will reset automatically after 2 mins	
Continuous Run 2 minute default setup (adjustable from 1-20 mins)	1. 1 time for 2 seconds 2. 1 time for 3-5 seconds	1. LED Green (1) 2. Water flows after releasing
reset:	1 time or will reset automatically after 2 mins	
Sensor Range Adjustment	1. 1 time for 2 seconds 2. 2 times (double push) 3. 1 time for 5 seconds then hold till requested range is reached 4. Release	1. LED Green (1) 2. LED Red blinks 3. LED Red (1-8) 4. LED Green (1)

## Optima® EAF-350 Faucet

### TROUBLESHOOTING GUIDE

#### 1. Faucet DOES NOT function.

- A. "Permanent Off" activated. Press button on faucet throat one time.

#### 2. Faucet delivers water in an uncontrolled manner.

- A. Faucet is not working properly. Contact Sloan Technical Support.

#### 3. Faucet DOES NOT deliver any water when Sensor is activated.

**INDICATOR: Solenoid valve produces an audible "CLICK."**

- A. Water supply stop(s) closed. Open water supply stop(s).  
 B. Water supply stop strainer(s) clogged. Remove, clean, and reinstall water supply stop strainer(s). Replace strainer(s) if required.

**INDICATOR: Solenoid valve DOES NOT produce an audible "CLICK."**

- A. Battery low (battery powered models). Replace battery (refer to Battery Replacement on page 184).

#### 4. After removing label water does not flow.

Use this installation guide as a target by placing it in front of the sensor (approx. 1-1/2" away) until water begins flowing, then remove installation instruction from sensor. Water will stop flowing, wait 10 seconds before using faucet.

#### 5. Faucet delivers only a slow flow or dribble when sensor is activated.

- A. Water supply stop(s) are partially closed. Completely open water supply stop(s).  
 B. Water supply stop strainer(s) clogged. Remove, clean, and reinstall water supply stop strainer(s). Replace strainer(s) if required.  
 C. Aerator is clogged. Remove, clean, and reinstall Aerator. Replace Aerator if required.  
 D. Faucet is not working properly. Contact Sloan Technical Support.

#### 6. Faucet DOES NOT stop delivering water or continues to drip after user is no longer detected.

- A. Faucet is not working properly. Contact Sloan Technical Support.

#### 7. LED indicator blinks when faucet is in use.

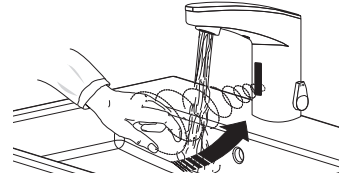
- A. Battery low (battery powered models). Replace battery.

#### 8. The water temperature is too hot or too cold on a faucet connected to hot and cold supply lines.

- A. Supply stops are not adjusted properly. Adjust supply stops.  
 B. For models with integral mixing valve – Mixing valve is set improperly for the water temperature desired. Rotate mixing valve handle clockwise to decrease water temperature or counterclockwise to increase water temperature.

### OPERATION

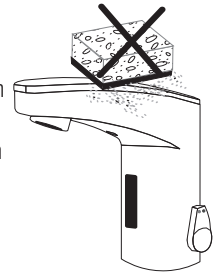
As the user's hands enter the beam's effective range, the beam is reflected back into the sensor receiver and activates the solenoid valve allowing water to flow from the faucet. Water will flow until the hands are removed or until the faucet reaches its automatic time out limit setting.



### CARE AND CLEANING

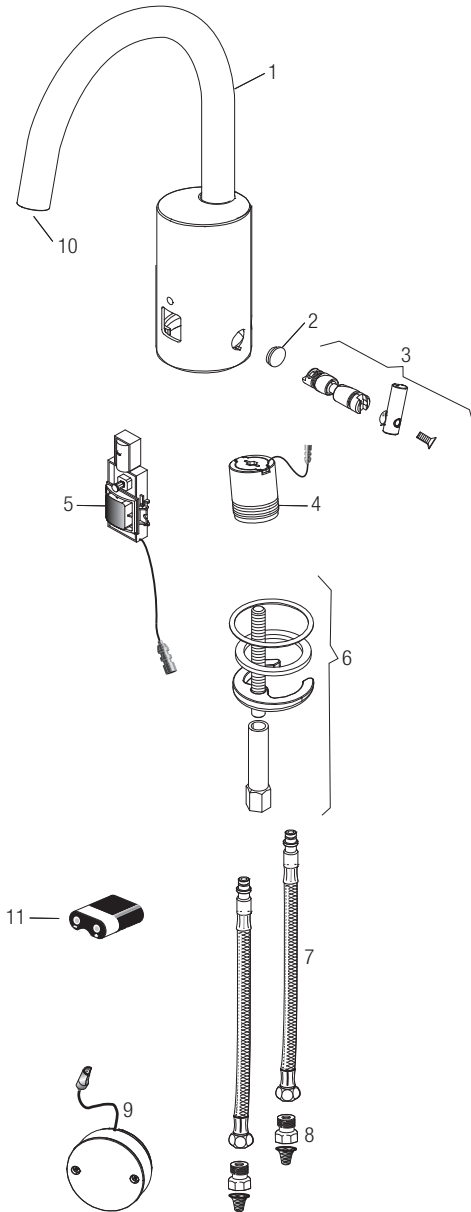
**DO NOT use** abrasive or chemical cleaners (including chlorine bleach) to clean faucet that may dull the luster and attack the chrome or special decorative finishes. Use **ONLY** mild soap and water, then wipe dry with clean cloth or towel.

While cleaning the bathroom tile, protect the faucet from any splattering of cleaner. Acids and cleaning fluids will discolor or remove chrome plating.



**When assistance is required, please contact Sloan Technical Support at: 1-888-SLOAN-14 (1-888-756-2614).**

## Optima® EAF-750 Faucet



### PARTS LIST—EAF-750 FAUCETS

Item			
No.	Code No.	Part No.	Description
1.	—	—	Spout Assembly
2.	<b>3335022</b>	EAF-1007	Integral Side Mixer Handle Cap
3.	<b>3335019</b>	EAF-1004	Integral Side Mixer Kit
4.	<b>0335001</b>	EAF-2	Solenoid
5.	<b>3335099</b>	EAF-1017-A	Sensor Assembly
6.	<b>0335000</b>	EAF-1	Mounting Hardware
7.	<b>3335023</b>	EAF-1008	13" (330 mm) Flexible Supply Hose (1)
8.	<b>0335007</b>	EAF-9	Filter/Strainer
9.	<b>0335048</b>	EAF-48	Battery Box
10.	<b>3335086</b>	EAF-1014-A	Multi-Lam Spray Head Kit 0.5 gpm (1.9 Lpm) Male Cache TJ
	<b>3335087</b>	EAF-1015-A	Spray Head Kit 1.5 gpm (5.7 Lpm) Aerated Male Cache TJ
	<b>3335088</b>	EAF-1016-A	Spray Head Kit 1.5 gpm (5.7 Lpm) Laminar Male Cache TJ
11.	<b>3335018</b>	EAF-1003	Battery Replacment Kit (CR-P2)



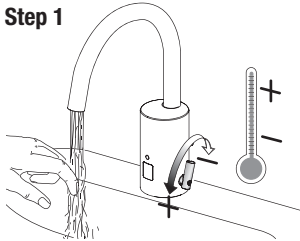
# Optima® EAF-750 Faucet

## OPERATION

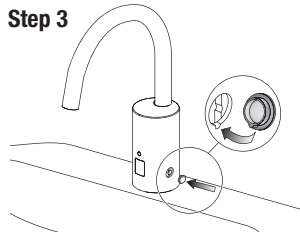
As the user's hands enter the beam's effective range, the beam is reflected back into the sensor receiver and activates the solenoid valve allowing water to flow from the faucet. Water will flow until the hands of the user are removed or until the faucet reaches its automatic time out limit setting.

## SET AND FIX TEMPERATURE (OPTIONAL)

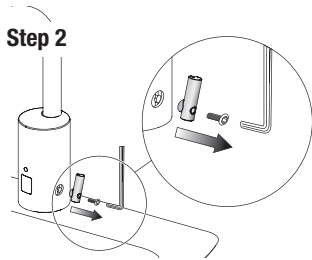
Step 1



Step 3



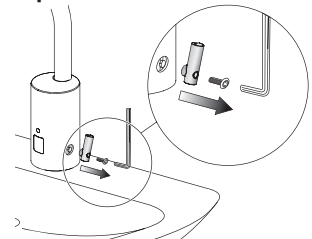
Step 2



## HOT LIMIT STOP ADJUSTMENT

Limit the maximum water temperature. Note: this does not take the place of an ASSE 1070 certified mixing device. But is an added measure to limit delivery of hot water.

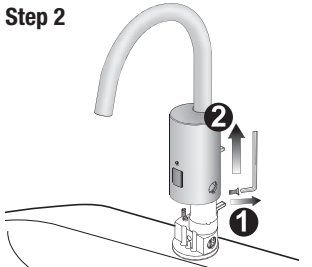
Step 1



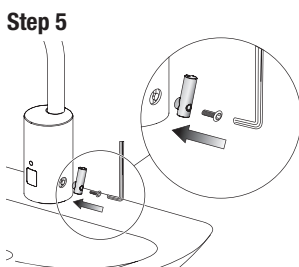
Step 4



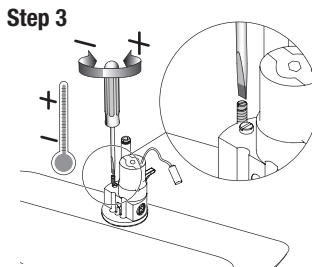
Step 2



Step 5

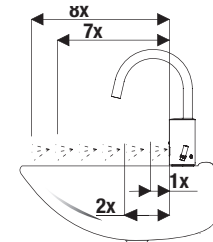


Step 3



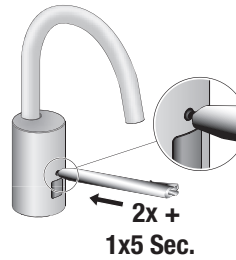
## SENSOR RANGE ADJUSTMENT

Factory setting is appropriate for the majority of applications and should not require resetting unless under extreme situations.

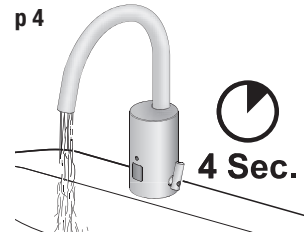


FACTORY DEFAULT = 6

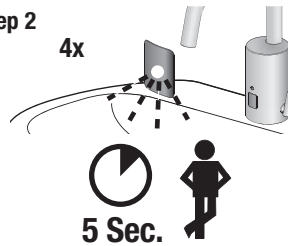
Step 1



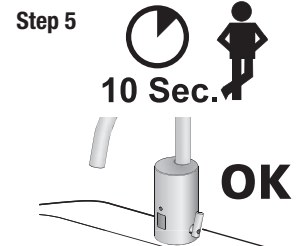
Step 4



Step 2

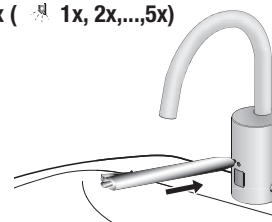


Step 5



Step 3

1 x ( 1x, 2x,...,5x)



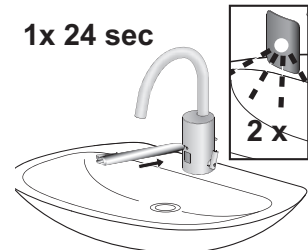
## 12/24 LINE PURGE FEATURE

This feature will operate the faucet every 12 or 24 hours since last use, if not used to prevent stagnant water conditions.

Default purge duration is two (2) minutes.

Consult factory regarding other timing options.

1x 24 sec



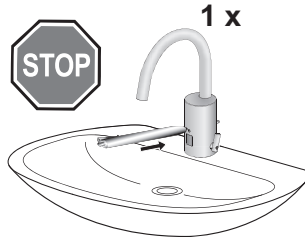
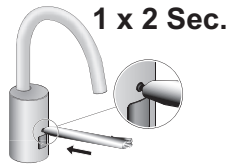
## Optima® EAF-750 Faucet

### I.Q.-CLICK FEATURE

#### 1. CONTINUOUS RUN

Continuous run of water for two minutes.

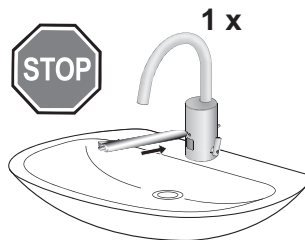
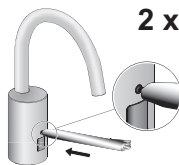
Faucet will operate normally after two minutes or after pressing i.q.-click button once.



#### 2. CLEANING MODE

Pause faucet for cleaning for two (2) minutes.

Faucet will operate normally after two (2) minutes or after pressing i.q.-click button once.



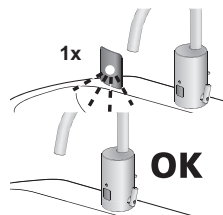
### OFF-DELAY (FOLLOW UP TIME)

Duration of time the water runs after target is removed.

Press the button for approximately six (6) seconds. Release.

Press again (water flows) and release when the desired time of water flow (0-5 seconds) is reached.

Sensor will flash once and then the faucet is ready to operate.



### BATTERY REPLACEMENT

Note: Replace battery when red LED indicator flashes each time faucet is in use or when faucet stops functioning.

No need to turn off water.

Loosen screw with hex wrench and remove cap. Slide cover forward and lift off.

Remove battery.

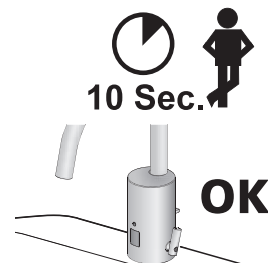
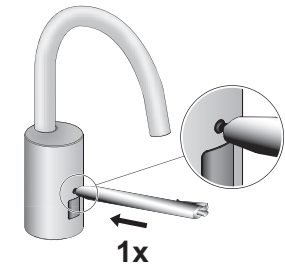
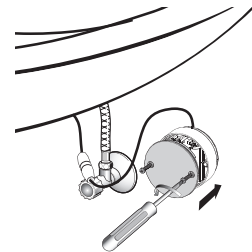
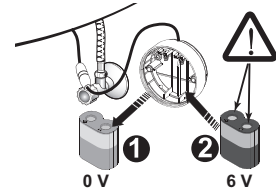
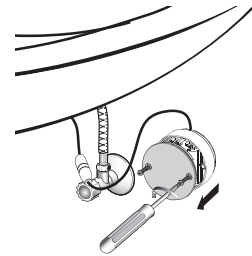
Replace batteries with new "CR-P2" lithium battery (Sloan Kit# EAF-1003A).

Replace cover.

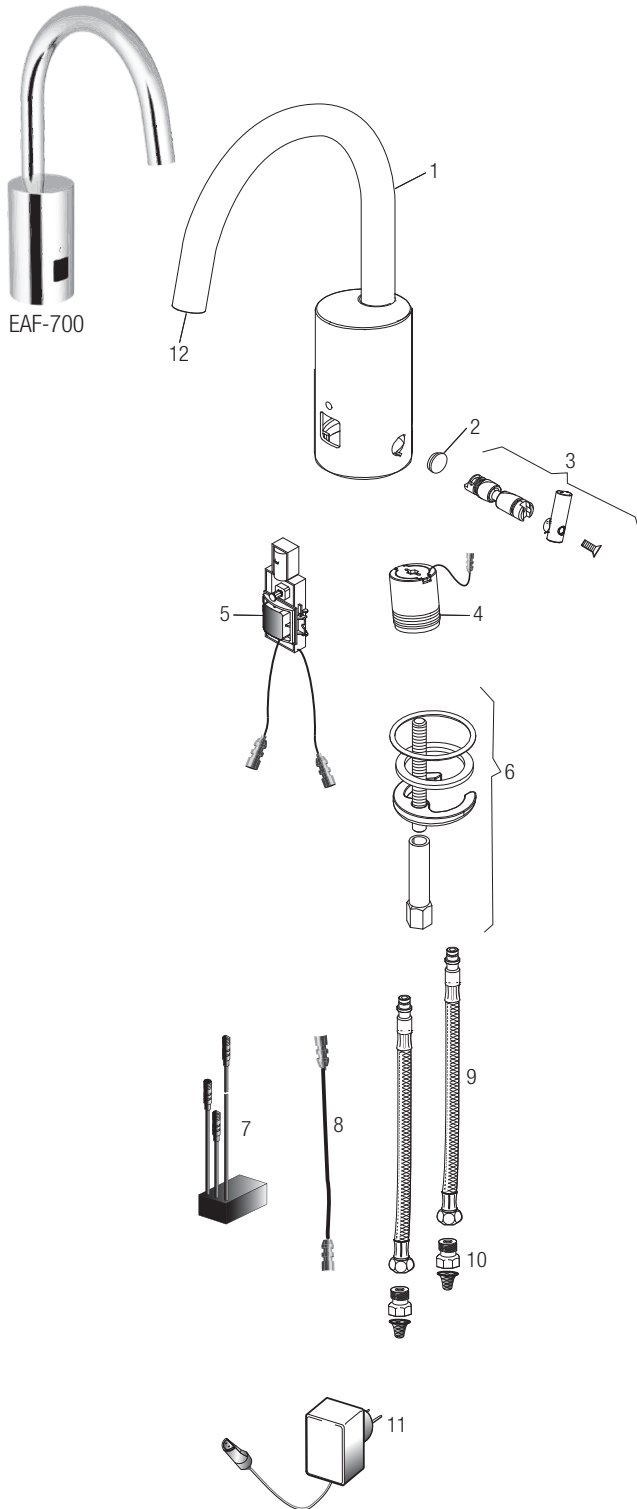
Activate faucet by pressing i.q. cliq one (1) time, then immediately step away.

Faucet will operate for four (4) seconds.

Wait 10 seconds and then the faucet is ready for operation.



# Optima® EAF-700 Faucet

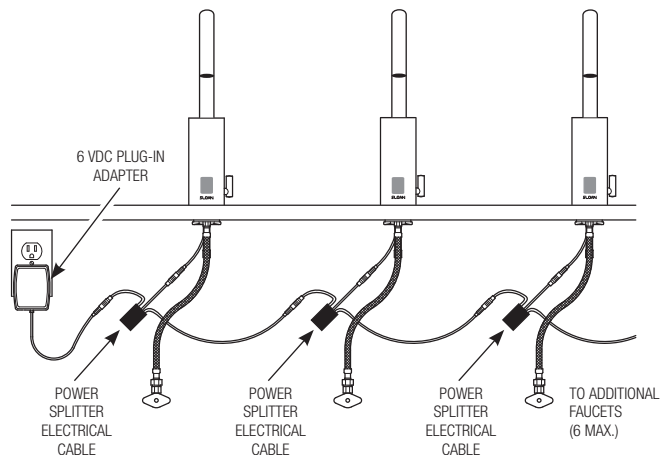


## PARTS LIST—EAF-700 FAUCETS

Item No.	Code No.	Part No.	Description
1.	—	—	Spout Assembly
2.	<b>3335022</b>	EAF-1007	Integral Side Mixer Handle Cap
3.	<b>3335019</b>	EAF-1004	Integral Side Mixer Kit
4.	<b>0335001</b>	EAF-2	Solenoid
5.	<b>3335099</b>	EAF-1017-A	Sensor Assembly
6.	<b>0335000</b>	EAF-1	Mounting Hardware
7.	<b>0335044</b>	EAF-44	Power Splitter
8.	<b>0335024</b>	EAF-24-A	11-13/16" (300 mm) Extension Cable
	<b>0335025</b>	EAF-25-A	47-1/4" (1200 mm) Extension Cable
	<b>0335015</b>	EAF-17-A	126" (3200 mm) Extension Cable
9.	<b>3335023</b>	EAF-1008	13" (330 mm) Flexible Supply Hose (1)
10.	<b>0335007</b>	EAF-9	Filter/Strainer
11.	<b>0335009</b>	EAF-11-A	Plug-in Voltage Adapter, US Plug
12.	<b>3335086</b>	EAF-1014-A	Multi-Lam Spray Head Kit 0.5 gpm (1.9 Lpm) Male Cache TJ
	<b>3335087</b>	EAF-1015-A	Spray Head Kit 1.5 gpm (5.7 Lpm) Aerated Male Cache TJ
	<b>3335088</b>	EAF-1016-A	Spray Head Kit 1.5 gpm (5.7 Lpm) Laminar Male Cache TJ

\*Not Shown: SFP-11 4" Trimplate / SFP-22 8" Trimplate

## Electrical Connection for up to Six (6) Faucets Using One (1) Adapter



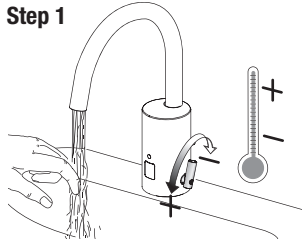
## Optima® EAF-700 Faucet

### OPERATION

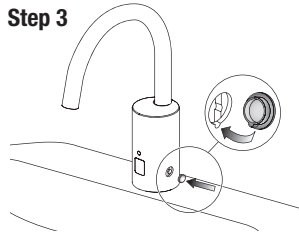
As the user's hands enter the beam's effective range, the beam is reflected back into the sensor receiver and activates the solenoid valve allowing water to flow from the faucet. Water will flow until the hands of the user are removed or until the faucet reaches its automatic time out limit setting.

### SET AND FIX TEMPERATURE (OPTIONAL)

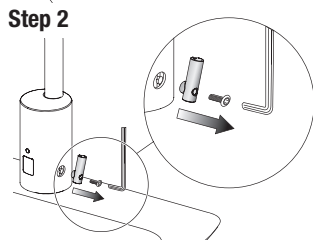
Step 1



Step 3



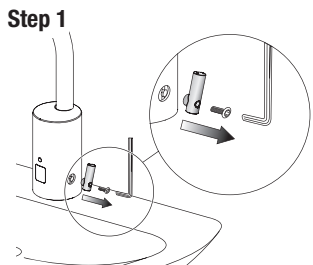
Step 2



### HOT LIMIT STOP ADJUSTMENT

Limit the maximum water temperature. **NOTE:** This **DOES NOT** take the place of an ASSE 1070 certified mixing device. But is an added measure to limit delivery of hot water.

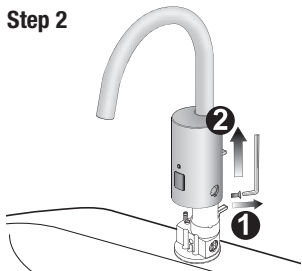
Step 1



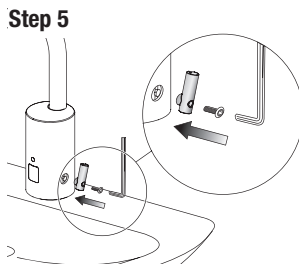
Step 4



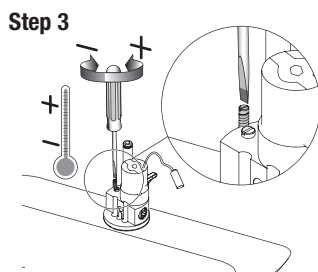
Step 2



Step 5

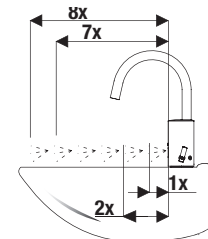


Step 3



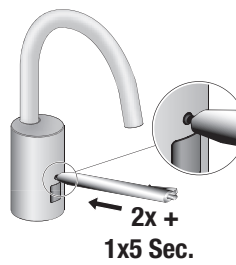
### SENSOR RANGE ADJUSTMENT

Factory setting is appropriate for the majority of applications and should not require resetting unless under extreme situations.

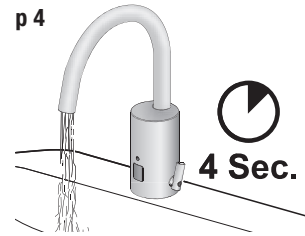


FACTORY DEFAULT = 6

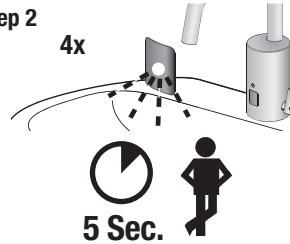
Step 1



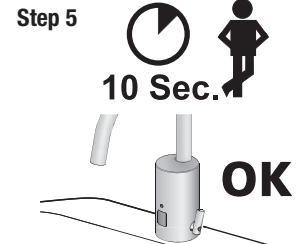
p 4



Step 2

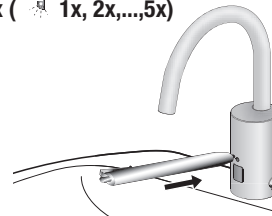


Step 5



Step 3

1 x ( 1x, 2x,...,5x)



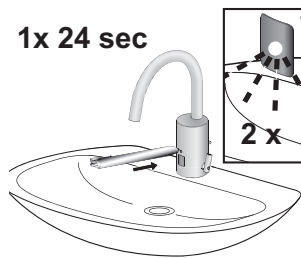
## Optima® EAF-700 Faucet

### 12/24 LINE PURGE FEATURE

This feature will operate the faucet every 12 or 24 hours since last use, if not used to prevent stagnant water conditions.

Default purge duration is two (2) minutes.

Consult factory regarding other timing options.

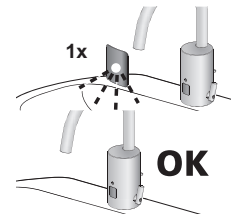
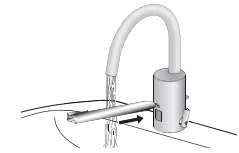


### OFF-DELAY (FOLLOW UP TIME)

Duration of time the water runs after target is removed.

Press the button for approximately six (6) seconds. Release.

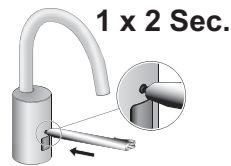
Press again (water flows) and release when the desired time of water flow (0-5 seconds) is reached.



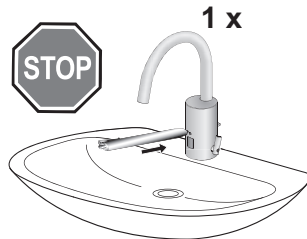
### I.Q.-CLICK FEATURE

#### 1. CONTINUOUS RUN

Continuous run of water for two minutes.

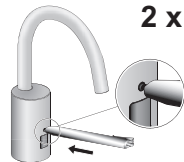


Faucet will operate normally after two minutes or after pressing i.q.-click button once.



#### 2. CLEANING MODE

Pause faucet for cleaning for two (2) minutes.



Faucet will operate normally after two (2) minutes or after pressing i.q.-click button once.



## Optima® EAF-700 Faucet

### TROUBLESHOOTING GUIDE

#### 1. Faucet DOES NOT function.

- A. Adhesive packaging label affixed over sensor eye. Remove adhesive label from sensor eye.
- B. "Intermittent Off" is activated. Press button once.
- C. Water supply stop(s) closed. Open water supply stop(s).
- D. Battery is "dead". Replace battery (refer to Battery Replacement section of guide).

#### 2. Faucet delivers water in an uncontrolled manner.

- A. Reflection. Remove reflective surface.
- B. Faucet is not working properly. Contact Sloan Technical Support.

#### 3. Faucet DOES NOT deliver any water when sensor is activated.

INDICATOR: Solenoid valve produces an audible "CLICK."

- A. Water supply stop(s) closed. Open water supply stop(s).
- B. Water supply stop strainer(s) clogged. Remove, clean, and reinstall water supply stop strainer(s). Replace strainer(s), if required.

INDICATOR: Solenoid valve DOES NOT produce an audible "CLICK."

- A. Power failure. Check power supply.

#### 4. Faucet delivers only a slow flow or dribble when sensor is activated.

- A. Water supply stop(s) are partially closed. Completely open water supply stop(s).
- B. Water supply stop strainer(s) clogged. Remove, clean, and reinstall water supply stop strainer(s). Replace strainer(s), if required.
- C. Spray head is clogged. Remove, clean, and reinstall spray head. Replace spray head, if required.
- D. Faucet is not working properly. Contact Sloan Technical Support.

#### 5. Faucet DOES NOT stop delivering water or continues to drip after user is no longer detected.

- A. Faucet is not working properly. Contact Sloan Technical Support.

#### 6. The water temperature is too hot or too cold on a faucet connected to hot and cold supply lines.

- A. Supply stops are not adjusted properly. Adjust supply stops.

### CARE AND CLEANING

**DO NOT USE** abrasive or chemical cleaners (including chlorine bleach) to clean faucets that may dull the luster and attack the chrome or special decorative finishes. Use **ONLY** mild soap and water, then wipe dry with clean cloth or towel.

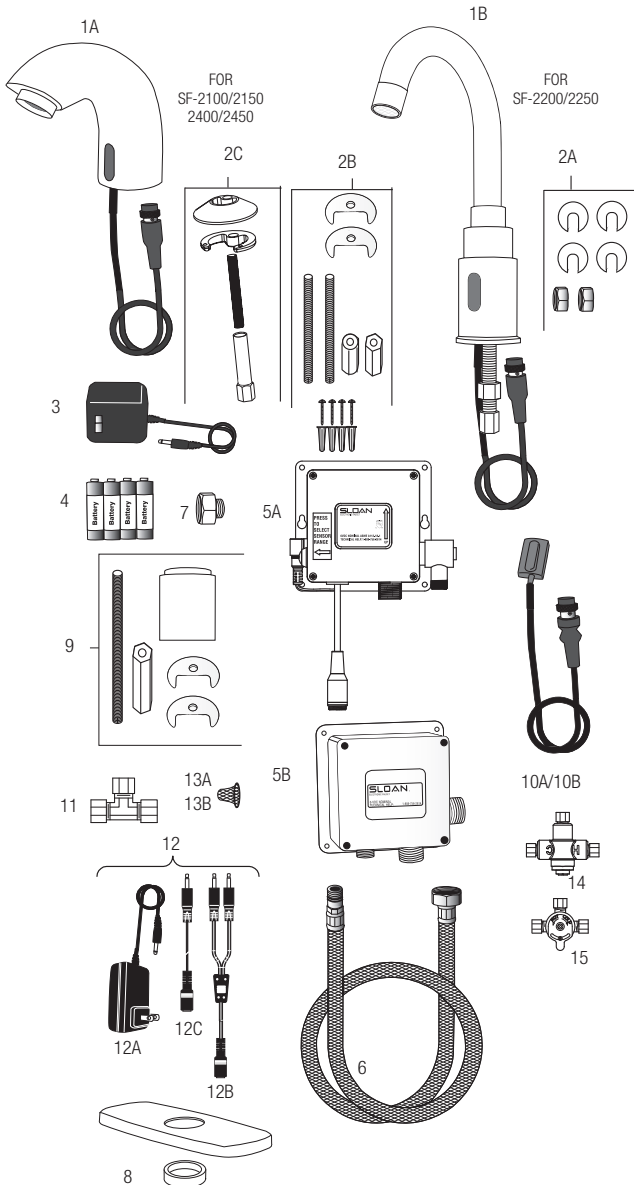
While cleaning the bathroom sink, protect the faucet from any splattering of cleaner. Acids and cleaning fluids will discolor or remove chrome plating.



**When assistance is required, please contact Sloan Technical Support at: 1-888-SLOAN-14 (1-888-756-2614).**



## SF-2100/SF-2150 & SF-2200/SF-2250 Faucets



### PARTS LIST—SF-2100/SF-2150/SF-2200/SF-2250

Item No.	Code No.	Part No.	Description
1A.	—	—	Pedestal Faucet Assembly w/Outlet (Models SF-2100 and SF-2150)
1B.	—	—	Gooseneck Faucet Assembly w/Outlet (Models SF-2200 and SF-2250)
	<b>0362005</b>	SFP-5	Mounting Hardware Kit, Screws and Anchors for Control Module (all models)
2A.	—	SFP-1004	Mounting Hardware Kit, Pedestal Faucet (Models SF-2200/SF-2250)
2B.	<b>0362004</b>	SFP-4	Mounting Hardware Kit, Pedestal Faucet (Models SF-2100/SF-2150) (Pre 3/2010)
2C.		SFP-44	Mounting Hardware Kit for SF-2100/2150 (Post 3/2010)
3.	<b>0362006</b>	SFP-6	110 VAC/6 VDC Plug-In Adapter (US) (Models SF-2100 and SF-2200)
4.	—	—	Batteries, 4 AA-size (all models)
5A.	<b>0362040</b>	SFP-40-A	Control module w/ adjustable button (6 pin connector)
5B.	<b>0362008</b>	SFP-8	Control module (Prior 8/2008-4 pin connector)*
6.	<b>0362010</b>	SFP-10	Flex Hose, Control Module to Spout (all models)
7.	<b>0362045</b>	SFP-45-A	Inlet adapter – 1/2" NPSM to 3/8" compression connection (not supplied with most international models)
8.	<b>0362011</b>	SFP-11	4" Trim Plate with Spacer (all models)
9.	<b>0362030</b>	SFP-30A	Faucet Extension Kit (Models SF-2100/2150)
10A.	<b>0362041</b>	SFP-41-A	Sensor Assembly (6 pin connector)
10B.	<b>0362034</b>	SFP-34	Sensor Assembly (Prior 8/2008-4 pin connector)*
11.	<b>3365461</b>	ETF-617-A	3/8" Bak-Chek® Tee Compression Fitting

\* IMPORTANT: Sloan added the range adjustment feature in August 2008 for faucets made prior to August 2008 use the following replacement parts: SFP-34 and SFP-8

### NOT SHOWN SEPARATELY

—	<b>0335029</b>	EAJ-51	0.35 gpm (1.3 Lpm) spray head (Models SF-2100/2150)
—	<b>0335012</b>	EAJ-15	0.5 gpm (1.9 Lpm) vandal resistant spray head (Models SF-2100/2150)
—	<b>3362000</b>	SFP-1000	0.35 gpm (1.3 Lpm) vandal resistant spray head (Models SF-2100/2150)
—	<b>0362012</b>	SFP-12	Gooseneck Spout w/Outlet (Models SF-2200/2250)
—	<b>0362013</b>	SFP-13	0.5 gpm (1.9 Lpm) spray head (Models SF-2100/2150)
—	<b>0362014</b>	SFP-14	Spray head for Gooseneck Faucet (Models SF-2200/2250)
—	<b>0362023</b>	SFP-23	2.2 gpm (8.3 Lpm) Aerator (Models SF-2100/2150)
—	<b>0362024</b>	SFP-24	2.2 gpm (8.3 Lpm) vandal resistant aerator (Models: SF-2100/2150)
—	<b>0362020</b>	SFP-26	220 VAC/6 VDC Plug-In Adapter (ASIA)
—	<b>0362025</b>	SFP-25	220 VAC/6 VDC Plug-In Adapter (EURO)
—	<b>0362026</b>	SFP-20	220 VAC/6 VDC Plug-In Adapter (UK)
—	<b>3362022</b>	SFP-22-A	8" Trim Plate

### ACCESSORIES

12.	<b>0362035</b>	SFP-35-A	100-240 VAC/6 VDC Gang Adapter Kit, includes 12A, 12B and 12C
12A.	<b>0362016</b>	SFP-36-A	100-240 VAC/6 VDC Plug-In Adapter
12B.	<b>0362018</b>	SFP-38	Cable Splitter, 51" (1300 mm) – 5 included in kit
12C.	<b>0362017</b>	SFP-37	Cable Extension, 51" (1300 mm)

### REPAIR PARTS

13A.	<b>0362015</b>	SFP-15	Strainer For SFP8 and SFP40A modules with straight inlet (Prior to year 2011).
13B.	<b>3315028</b>	EBF-1004-A	Strainer For SFP40A modules with right angle inlet. (Year 2011 to present).
14.	<b>0326045</b>	MIX-135-A	Below Deck Thermostatic Mixing Valve
15.	<b>3326009</b>	MIX-60-A	Below Deck Mechanical Valve Mixing Valve

— in Item No. column = Not shown in illustration

— in Code No. and Part No. column = Not sold separately

---

**SF-2100/SF-2150 & SF-2200/SF-2250 Faucets**

---

**TROUBLESHOOTING GUIDE**

---

**1. Faucet delivers water in an uncontrolled manner.**

A. Faucet is not working properly. Contact Sloan Technical Support.

**2. Faucet DOES NOT deliver any water when sensor is activated.**

**INDICATOR: Solenoid valve produces an audible “CLICK.”**

A. Water supply stop(s) closed. Open water supply stop(s).

B. Water strainer in control module is clogged. Close supply stops and remove water inlet line at control module. Remove, clean and reinstall strainer and water inlet line. Replace strainer if required.

**INDICATOR: Solenoid valve DOES NOT produce an audible “CLICK.”**

A. Batteries low (battery powered models). Replace batteries.

B. Power failure (adapter powered models). Check power supply.

**3. Faucet delivers only a slow flow or dribble when sensor is activated.**

A. Water supply stop(s) are partially closed. Completely open water supply stop(s).

B. Water strainer in control module is clogged. Close supply stops and remove water inlet line at control module. Remove, clean and reinstall strainer and water inlet line. Replace strainer if required.

C. Aerator is clogged. Remove, clean, and reinstall aerator. Replace aerator if required.

D. Faucet is not working properly. Contact Sloan Technical Support.

**4. Faucet DOES NOT stop delivering water or continues to drip after user is no longer detected.**

A. Faucet is not working properly. Contact Sloan Technical Support.

**5. The water temperature is too hot or too cold on a Faucet connected to hot and cold supply lines.**

A. Supply stops are not adjusted properly. Adjust supply stops.

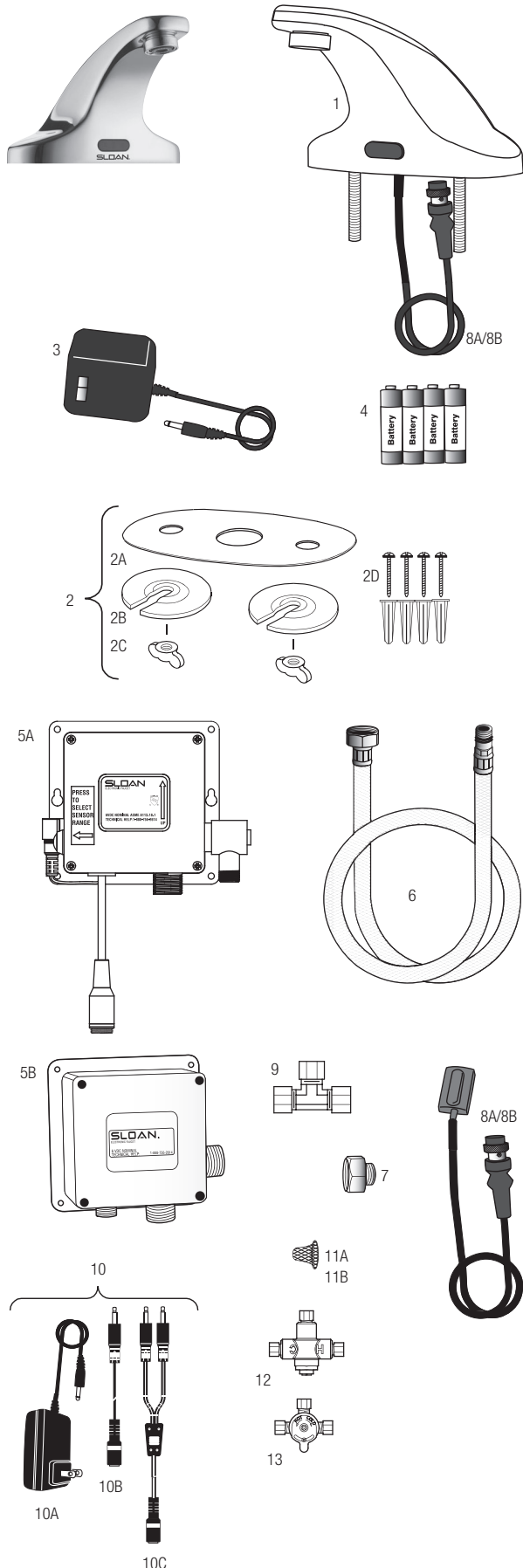
**CARE AND CLEANING**

---

**DO NOT USE** abrasive or chemical cleaners (including chlorine bleach) to clean faucet that may dull the luster and attack the chrome or special decorative finishes. Use **ONLY** mild soap and water, then wipe dry with clean cloth or towel. While cleaning the bathroom tile, protect the faucet from any splattering of cleaner. Acids and cleaning fluids will discolor or remove chrome plating.

**When assistance is required, please contact Sloan Technical Support at: 1-888-SLOAN-14 (1-888-756-2614).**

## SF-2300/SF-2350 Faucets



### PARTS LIST—SF-2300/SF-2350

Item No.	Code No.	Part No.	Description
1.	—	—	Faucet Assembly w/Outlet
2.	—	SFP-16	Mounting Hardware Kit: includes Items 2A, 2B, 2C and 2D
2A.	—	—	Compression Fitting
2B.	—	—	Washers (2)
2C.	—	—	Wing Nuts (2)
2D.	—	—	Screws and Anchors for Control Module
3.	<b>0362006</b>	SFP-6	110 VAC/6 VDC Plug-In Adapter (US) (Model SF-2300 only)
4.	—	—	Batteries, 4 AA-size (all models)
5A.	<b>0362040</b>	SFP-40-A	Control Module with Adjustable Button (6 pin connector)
5B.	<b>0362008</b>	SFP-8	Control Module (Old Style 4 pin connector)*
6.	<b>0362010</b>	SFP-10	Flex Hose, Control Module to Spout
7.	<b>0362045</b>	SFP-45-A	Inlet adapter – 1/2" NPSM to 3/8" Compression Connection (not supplied with most international models)
8A.	<b>0362041</b>	SFP-41-A	Sensor Assembly (6 pin connector)
8B.	<b>0362034</b>	SFP-34	Sensor Assembly (Old Style 4 pin connector)*
9.	<b>3365461</b>	ETF-617-A	3/8" Bak-Chek® Tee Compression Fitting

\* IMPORTANT: Sloan added the range adjustment feature in August 2008 for faucets made prior to August 2008 use the following replacement parts: SFP-34 and SFP-8

### NOT SHOWN SEPARATELY

—	<b>0335029</b>	EAF-51	0.35 gpm (1.3 Lpm) spray head
—	<b>0335012</b>	EAF-15	0.5 gpm (1.9 Lpm) vandal resistant spray head
—	<b>3362000</b>	SFP-1000	0.35 gpm (1.3 Lpm) vandal resistant spray head
—	<b>0362013</b>	SFP-13	0.5 gpm (1.9 Lpm) Spray head
—	<b>0362023</b>	SFP-23	2.2 gpm (8.3 Lpm) Aerator
—	<b>0362024</b>	SFP-24	2.2 gpm (8.3 Lpm) vandal resistant aerator
—	<b>0362020</b>	SFP-26	220 VAC/6 VDC Plug-In Adapter (ASIA)
—	<b>0362025</b>	SFP-25	220 VAC/6 VDC Plug-In Adapter (EURO)
—	<b>0362026</b>	SFP-20	220 VAC/6 VDC Plug-In Adapter (UK)

### ACCESSORIES

10.	<b>0362035</b>	SFP-35-A	100-240 VAC/6 VDC Gang Adapter Kit, includes 10A, 10B and 10C
10A.	<b>0362016</b>	SFP-36-A	100-240 VAC/6 VDC Plug-In Adapter
10B.	<b>0362017</b>	SFP-37	Cable Extension, 51" (1300 mm)
10C.	<b>0362018</b>	SFP-38	Cable Splitter, 51" (1300 mm) – 5 included in kit

### REPAIR PARTS

11A.	<b>0362015</b>	SFP-15	Strainer For SFP8 and SFP40A modules with straight inlet (Prior to year 2011).
11B.	<b>3315028</b>	EBF-1004-A	Strainer For SFP40A modules with right angle inlet. (Year 2011 to present).
12.	<b>0326045</b>	MIX-135-A	Below Deck Thermostatic Mixing Valve
13.	<b>3326009</b>	MIX-60-A	Below Deck Mechanical Valve Mixing Valve

— in Item No. column = Not shown in illustration  
 — in Code No. and Part No. column = Not sold separately

---

**SF-2300/SF-2350 Faucets**

---

**TROUBLESHOOTING GUIDE**

---

**1. Faucet delivers water in an uncontrolled manner.**

A. Faucet is not working properly. Contact Sloan Technical Support.

**2. Faucet DOES NOT deliver any water when Sensor is activated.**

**INDICATOR: Solenoid valve produces an audible “CLICK.”**

A. Water supply stop(s) closed. Open water supply stop(s).

B. Water strainer in control module is clogged. Close supply stops and remove water inlet line at control module. Remove, clean and reinstall strainer and water inlet line. Replace strainer if required.

**INDICATOR: Solenoid valve DOES NOT produce an audible “CLICK.”**

A. Batteries low (battery powered models). Replace batteries.

B. Power failure (adapter powered models). Check power supply.

**3. Faucet delivers only a slow flow or dribble when Sensor is activated.**

A. Water supply stop(s) are partially closed. Completely open water supply stop(s).

B. Water strainer in control module is clogged. Close supply stops and remove water inlet line at control module. Remove, clean and reinstall strainer and water inlet line. Replace strainer if required.

C. Aerator is clogged. Remove, clean, and reinstall aerator. Replace aerator if required.

D. Faucet is not working properly. Contact Sloan Technical Support.

**4. Faucet DOES NOT stop delivering water or continues to drip after user is no longer detected.**

A. Faucet is not working properly. Contact Sloan Technical Support.

**5. The water temperature is too hot or too cold on a faucet connected to hot and cold supply lines.**

A. Supply Stops are not adjusted properly. Adjust Supply Stops.

**CARE AND CLEANING INSTRUCTIONS**

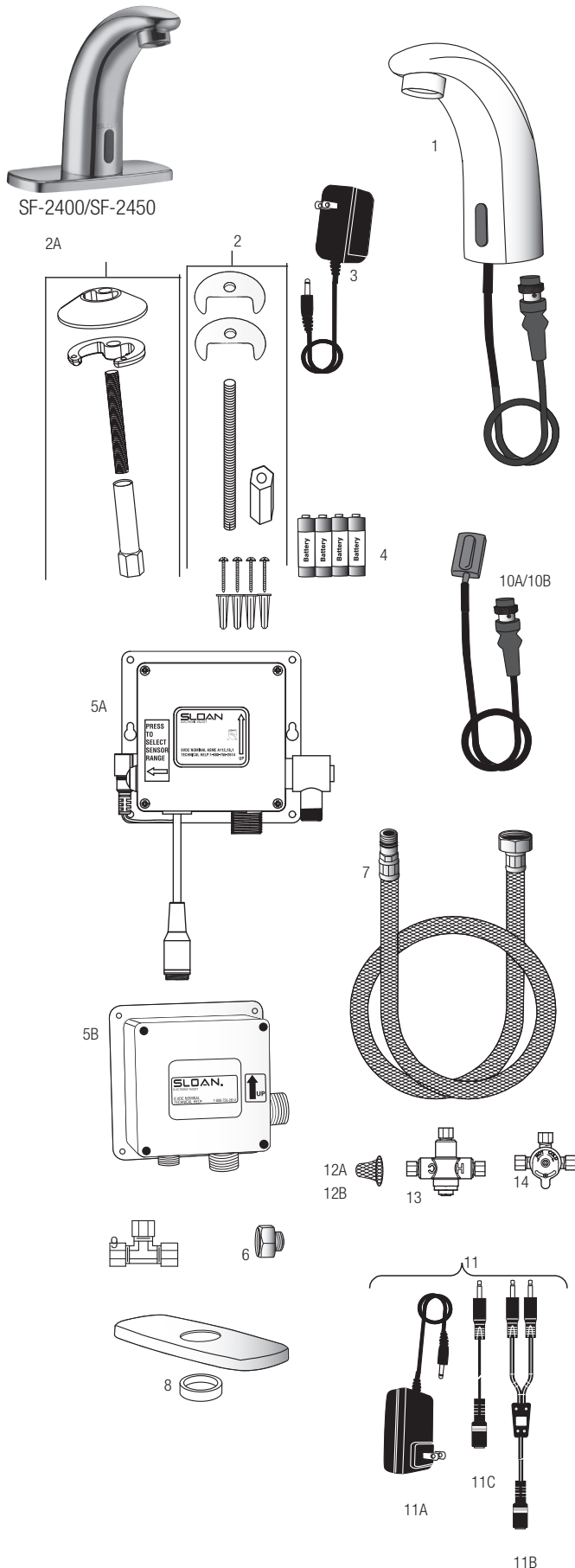
---

**DO NOT USE** abrasive or chemical cleaners (including chlorine bleach) to clean faucet that may dull the luster and attack the chrome or special decorative finishes. Use **ONLY** mild soap and water, then wipe dry with clean cloth or towel.

While cleaning the bathroom tile, protect the faucet from any splattering of cleaner. Acids and cleaning fluids will discolor or remove chrome plating.

**When assistance is required, please contact Sloan Technical Support at: 1-888-SLOAN-14 (1-888-756-2614).**

## SF-2400/SF-2450 Faucets



### PARTS LIST—SF-2400/SF-2450

Item No.	Code No.	Part No.	Description
1.	—	—	Pedestal Faucet Assembly w/Outlet (Models SF-2400/SF-2450/
2.	<b>0362004</b>	SFP-4	Mounting Hardware Kit, (Models SF-2100/SF-2150/SF-2400/SF-2450) (pre-3/2010)
2A.	—	SFP-44-A	Mounting Hardware Kit, (Models SF-2100/SF-2150/SF-2400/SF-2450) (Post 3/2010)
	—	SFP-5	Screws and Anchors for Control Module
3.	<b>0362006</b>	SFP-6	110 VAC/6 VDC Plug-In Adapter (US)
4.	—	—	Batteries-AA size (4)
5A.	<b>0362040</b>	SFP-40-A	Control Module with Adjustable Button (6 pin connector)
5B.	<b>0362008</b>	SFP-8	Control Module (Old Style 4 pin connector)*
6.	<b>0362045</b>	SFP-45-A	Inlet adapter – 1/2" NPSM to 3/8" Compression Connection (not supplied with most international models)
7.	<b>0362010</b>	SFP-10	Flex Hose, Control Module to Spout
8.	<b>0362011</b>	SFP-11	Trim Plate w/ Spacer (not supplied with most international models)
9.	<b>3365461</b>	ETF-617-A	3/8" Bak-Chek® Tee Compression Fitting
10A.	<b>0362041</b>	SFP-41-A	Sensor Assembly (6 pin connector)
10B.	<b>0362034</b>	SFP-34	Sensor Assembly (Old Style 4 pin connector)*

\* IMPORTANT: Sloan added the range adjustment feature in August 2008 for faucets made prior to August 2008 use the following replacement parts: SFP-34 and SFP-8

### NOT SHOWN SEPARATELY

—	<b>0335029</b>	EAF-51	0.35 gpm (1.3 Lpm) spray head
—	<b>0335012</b>	EAF-15	0.5 gpm (1.9 Lpm) vandal resistant spray head
—	<b>3362000</b>	SFP-1000	0.35 gpm (1.3 Lpm) vandal resistant spray head
—	<b>0362013</b>	SFP-13	0.5 gpm (1.9 Lpm) Spray head
—	<b>0362023</b>	SFP-23	2.2 gpm (8.3 Lpm) Aerator
—	<b>0362024</b>	SFP-24	2.2 gpm (8.3 Lpm) vandal resistant aerator
—	<b>0362020</b>	SFP-26	220 VAC/6 VDC Plug-In Adapter (ASIA)
—	<b>0362025</b>	SFP-25	220 VAC/6 VDC Plug-In Adapter (EURO)
—	<b>0362026</b>	SFP-20	220 VAC/6 VDC Plug-In Adapter (UK)
—	<b>3362022</b>	SFP-22	8" Trim Plate

### ACCESSORIES

11.	<b>0362035</b>	SFP-35-A	100-240 VAC/6 VDC Gang Adapter Kit, includes 11A, 11B and 11C
11A.	<b>0362016</b>	SFP-36-A	100-240 VAC/6 VDC Plug-In Adapter
11B.	<b>0362018</b>	SFP-38	Cable Splitter, 51"/1300 mm (5 included in kit)
11C.	<b>0362017</b>	SFP-37	Cable Extension, 51"/1300 mm

### REPAIR PARTS

12A.	<b>0362015</b>	SFP-15	Strainer (located in water inlet of control module/for SFP-8 Module)
12B.	<b>3315028</b>	EBF-1004-A	Solenoid Filter Replacement Kit for current solenoid includes Filter Screen Assembly and O-ring
13.	<b>0326045</b>	MIX-135-A	Below Deck Thermostatic Mixing Valve
14.	<b>3326009</b>	MIX-60-A	Below Deck Mechanical Valve Mixing Valve

— in Item No. column = Not shown in illustration  
 — in Code No. and Part No. column = Not sold separately

---

**SF-2800/SF-2850 Faucets**

---

**TROUBLESHOOTING GUIDE****1. Faucet delivers water in an uncontrolled manner.**

A. Faucet is not working properly. Contact Sloan Technical Support.

**2. Faucet DOES NOT deliver any water when Sensor is activated.**

**INDICATOR: Solenoid valve produces an audible “CLICK.”**

A. Water supply stop(s) closed. Open water supply stop(s).

B. Water strainer in control module is clogged. Close supply stops and remove water inlet line at control module. Remove, clean and reinstall strainer and water inlet line. Replace strainer if required.

**INDICATOR: Solenoid valve DOES NOT produce an audible “CLICK.”**

A. Batteries low (battery powered models). Replace batteries.

B. Power failure (adapter powered models). Check power supply.

**3. Faucet delivers only a slow flow or dribble when Sensor is activated.**

A. Water supply stop(s) are partially closed. Completely open water supply stop(s).

B. Water strainer in control module is clogged. Close supply stops and remove water inlet line at control module. Remove, clean and reinstall strainer and water inlet line. Replace strainer if required.

C. Aerator is clogged. Remove, clean, and reinstall aerator. Replace aerator if required.

D. Faucet is not working properly. Contact Sloan Technical Support.

**4. Faucet DOES NOT stop delivering water or continues to drip after user is no longer detected.**

A. Faucet is not working properly. Contact Sloan Technical Support.

**5. The water temperature is too hot or too cold on a faucet connected to hot and cold supply lines.**

A. Supply Stops are not adjusted properly. Adjust Supply Stops.

---

**CARE AND CLEANING INSTRUCTIONS**

**DO NOT USE** abrasive or chemical cleaners (including chlorine bleach) to clean faucet that may dull the luster and attack the chrome or special decorative finishes. Use **ONLY** mild soap and water, then wipe dry with clean cloth or towel.

While cleaning the bathroom tile, protect the faucet from any splattering of cleaner. Acids and cleaning fluids will discolor or remove chrome plating.

**When assistance is required, please contact Sloan Technical Support at: 1-888-SLOAN-14 (1-888-756-2614).**

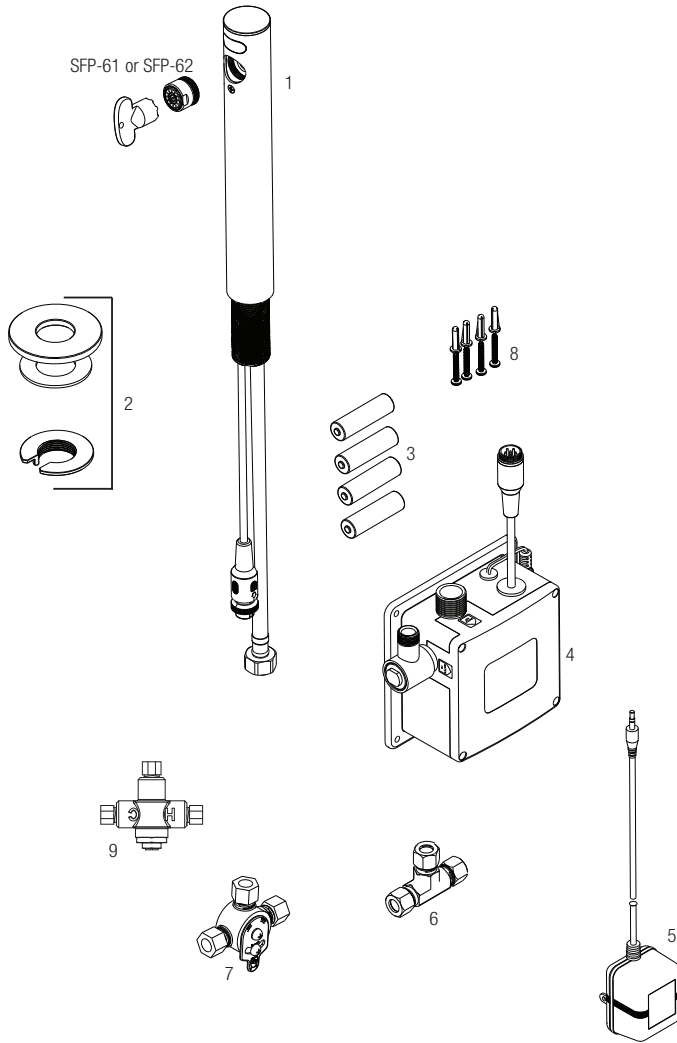


## SF-2800/SF-2850 Faucets



**SF-2800** Wall Mount, Hardwired

**SF-2850** Wall Mount, Battery Powered



### PARTS LIST—SF-2800/SF-2850

Item			
Item No.	Code No.	Part No.	Description
1.	<b>33621021</b>	SFP-59	Faucet Assembly (Models SF-2800/SF-2850)
2.	<b>33241001</b>	SFP-60	Spout Mounting Hardware Kit w/Trim Plate
3.	_____	_____	Batteries-AA size (4)
4.	<b>0362040</b>	SFP-40-A	Control Module with Adjustable Button (6 pin connector)
5.	<b>0362006</b>	SFP-6	Plug-in Adapter (120VAC/6VDC)
6.	<b>3365461</b>	ETF-617-A	Backcheck Tee
7.	<b>0326007</b>	MIX-60-A	Below Deck Mechanical Mixing Valve
8.	<b>0362005</b>	SFP-5	Control Box Mounting Kit
9.	<b>0326045</b>	MIX-135-A	Below Deck Thermostatic Mixing Valve

### SPRAYHEAD OPTIONS

—	<b>33620012</b>	SFP-61	0.35 gpm (1.3 Lpm) Spray Head MLM
—	<b>33620011</b>	SFP-62	0.5 gpm (1.9 Lpm) Spray Head MLM

— in Item No. column = Not shown in illustration

NOTE: Some parts and accessories must be ordered separately \* Not shown

— in Code No. and Part No. column = Not sold separately

---

**SF-2900/SF-2950 Faucets**

---

**TROUBLESHOOTING GUIDE**

---

**1. Faucet delivers water in an uncontrolled manner.**

A. Faucet is not working properly. Contact Sloan Technical Support.

**2. Faucet DOES NOT deliver any water when Sensor is activated.**

**INDICATOR: Solenoid valve produces an audible “CLICK.”**

A. Water supply stop(s) closed. Open water supply stop(s).

B. Water strainer in control module is clogged. Close supply stops and remove water inlet line at control module. Remove, clean and reinstall strainer and water inlet line. Replace strainer if required.

**INDICATOR: Solenoid valve DOES NOT produce an audible “CLICK.”**

A. Batteries low (battery powered models). Replace batteries.

B. Power failure (adapter powered models). Check power supply.

**3. Faucet delivers only a slow flow or dribble when Sensor is activated.**

A. Water supply stop(s) are partially closed. Completely open water supply stop(s).

B. Water strainer in control module is clogged. Close supply stops and remove water inlet line at control module. Remove, clean and reinstall strainer and water inlet line. Replace strainer if required.

C. Aerator is clogged. Remove, clean, and reinstall aerator. Replace aerator if required.

D. Faucet is not working properly. Contact Sloan Technical Support.

**4. Faucet DOES NOT stop delivering water or continues to drip after user is no longer detected.**

A. Faucet is not working properly. Contact Sloan Technical Support.

**5. The water temperature is too hot or too cold on a faucet connected to hot and cold supply lines.**

A. Supply Stops are not adjusted properly. Adjust Supply Stops.

**CARE AND CLEANING INSTRUCTIONS**

---

**DO NOT USE** abrasive or chemical cleaners (including chlorine bleach) to clean faucet that may dull the luster and attack the chrome or special decorative finishes. Use **ONLY** mild soap and water, then wipe dry with clean cloth or towel.

While cleaning the bathroom tile, protect the faucet from any splattering of cleaner. Acids and cleaning fluids will discolor or remove chrome plating.

**When assistance is required, please contact Sloan Technical Support at: 1-888-SLOAN-14 (1-888-756-2614).**

## SF-2900/SF-2950 Faucets



**SF-2900** Deck mount, Hardwired

**SF-2950** Deck mount, Battery Powered

### PARTS LIST—SF-2900/SF-2950

Item No.	Code No.	Part No.	Description
1.	<b>33621021</b>	SFP-63	Faucet Assembly (Models SF-2900/SF-2950)
2.	<b>33620007</b>	SFP-64	Spout Mounting Hardware Kit
3.	_____	_____	Batteries-AA size (4)
4.	<b>0362040</b>	SFP-40-A	Control Module with Adjustable Button (6 pin connector)
5.	<b>0362006</b>	SFP-6	Plug-adaptor (120VAC/6VDC)
6.	<b>3365461</b>	ETF-617	Back Check Tee
7.	<b>0326007</b>	MIX-60A	Below Deck Mechanical Mixing Valve
8.	<b>0362005</b>	SFP-5	Control Box Mounting Kit
9.	<b>0326045</b>	MIX-135-A	Below Deck Thermostatic Mixing Valve

### TRIMPLATE OPTIONS

10.	<b>03800004</b>	SFP-65	4" Trimplate with Spacer
-----	-----------------	--------	--------------------------

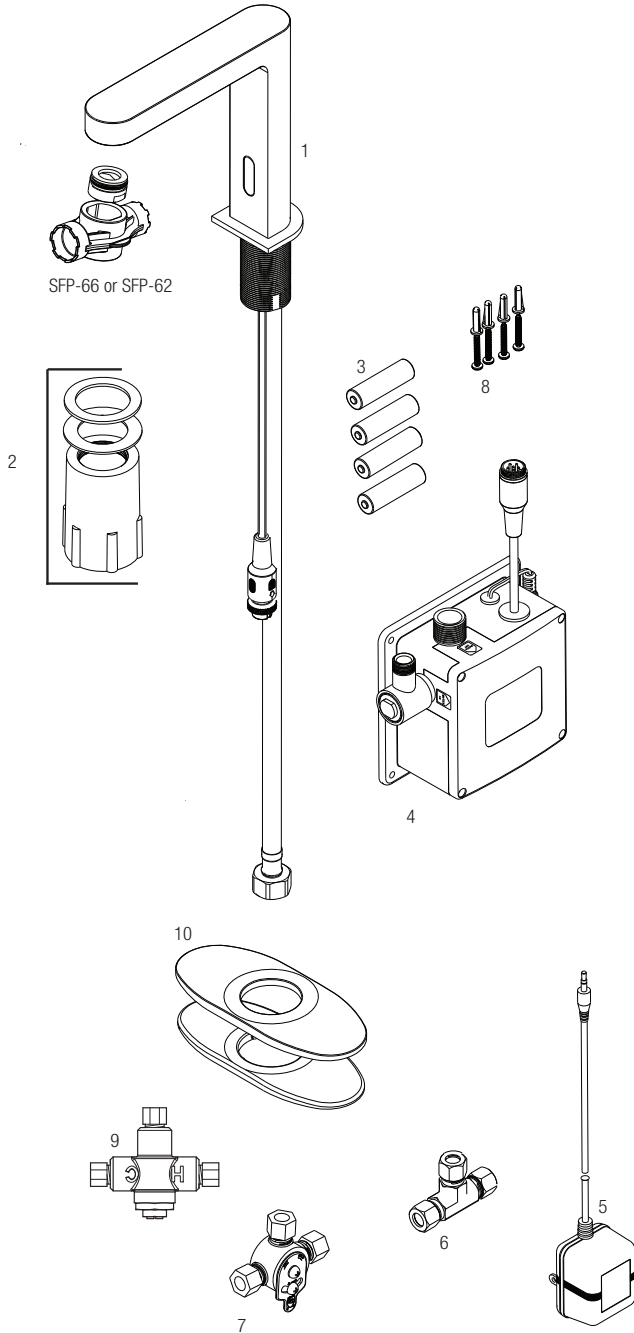
### SPRAYHEAD OPTIONS

—	<b>33620008</b>	SFP-66	0.35 gpm (1.3 Lpm) Spray Head MLM
—	<b>33620009</b>	SFP-62	0.5 gpm (1.9 Lpm) Spray Head MLM

— in Item No. column = Not shown in illustration

**NOTE:** Some parts and accessories must be ordered separately

— in Code No. and Part No. column = Not sold separately



---

**SF-2400/SF-2450 Faucets**

---

**TROUBLESHOOTING GUIDE**

---

**1. Faucet delivers water in an uncontrolled manner.**

A. Faucet is not working properly. Contact Sloan Technical Support.

**2. Faucet DOES NOT deliver any water when sensor is activated.**

**INDICATOR: Solenoid valve produces an audible “CLICK.”**

A. Water supply stop(s) closed. Open water supply stop(s).

B. Water strainer in control module is clogged. Close supply stops and remove water inlet line at control module. Remove, clean and reinstall strainer and water inlet line. Replace strainer if required.

**INDICATOR: Solenoid valve DOES NOT produce an audible “CLICK.”**

A. Batteries low (battery powered models). Replace batteries.

B. Power failure (adapter powered models). Check power supply.

**3. Faucet delivers only a slow flow or dribble when sensor is activated.**

A. Water supply stop(s) are partially closed. Completely open water supply stop(s).

B. Water strainer in control module is clogged. Close supply stops and remove water inlet line at control module. Remove, clean and reinstall strainer and water inlet line. Replace strainer if required.

C. Aerator is clogged. Remove, clean, and reinstall aerator. Replace aerator if required.

D. Faucet is not working properly. Contact Sloan Technical Support.

**4. Faucet DOES NOT stop delivering water or continues to drip after user is no longer detected.**

A. Faucet is not working properly. Contact Sloan Technical Support.

**5. The water temperature is too hot or too cold on a faucet connected to hot and cold supply lines.**

A. Supply Stops are not adjusted properly. Adjust supply stops.

**CARE AND CLEANING INSTRUCTIONS**

---

**DO NOT USE** abrasive or chemical cleaners (including chlorine bleach) to clean faucet that may dull the luster and attack the chrome or special decorative finishes. Use **ONLY** mild soap and water, then wipe dry with clean cloth or towel.

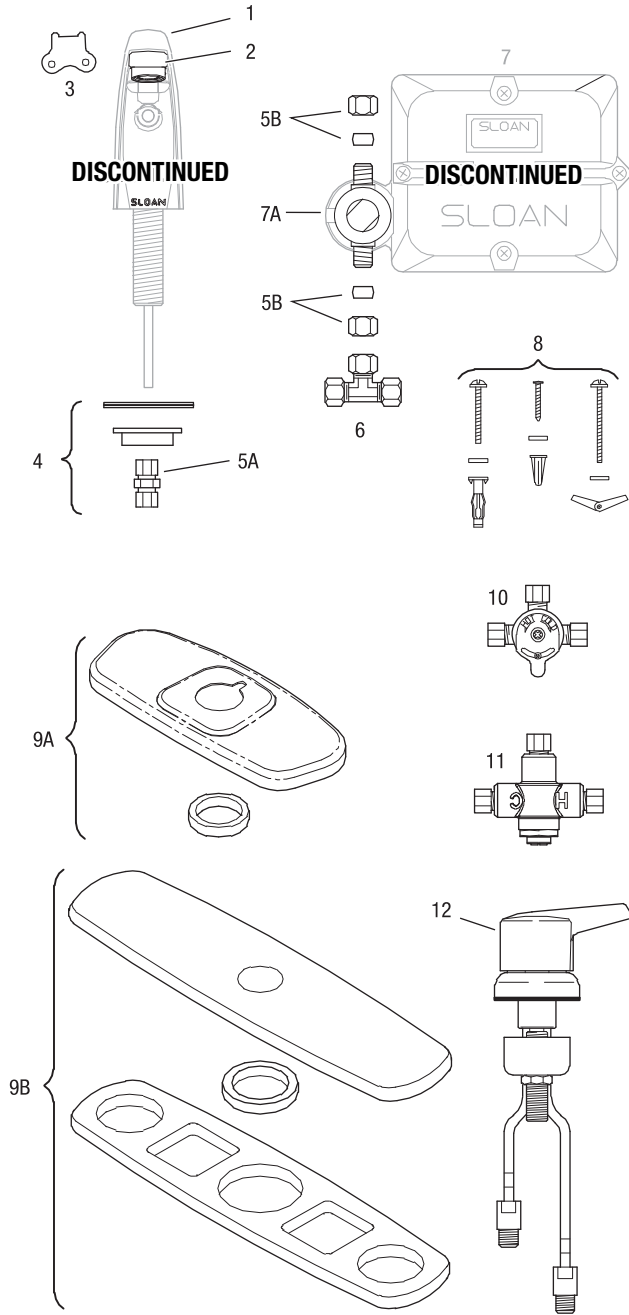
While cleaning the bathroom tile, protect the faucet from any splattering of cleaner. Acids and cleaning fluids will discolor or remove chrome plating.

**When assistance is required, please contact Sloan Technical Support at: 1-888-SLOAN-14 (1-888-756-2614).**

**Optima Plus® ERF- 885 Faucet Discontinued**



ERF-885



**PARTS LIST—EAF-885 FAUCET**

Item No.	Code No.	Part No.	Description
1.	0361000	ERF-1-A	Faucet Spout and Sensor Assembly (ERF-885) – <b>DISCONTINUED</b>
2.	3365091	ETF-1021-A	0.5 gpm (1.9 Lpm) Spray Head with Key (male thread)
3.	0305927	ETF-435	Replacement Key Only for ETF-234, 0.5 gpm (1.9 Lpm) Spray Head
4.	0305626	ETF-290-A	Faucet Mounting Kit includes Base Gasket, Flange Nut and ETF-297 Compression Fitting Connector
5A.	0305737	ETF-297	1/4" to 3/8" Tube Compression Fitting Connector
5B.	3315001	EBF-16-A	Single Solenoid Supply Kit includes two (2) Compression Nuts and two (2) Compression Sleeves
6.	3365461	ETF-617-A	3/8" Bak-Chek® Tee Compression Fitting
7.	ERF-2-A	Control Module Assembly	includes Base Enclosure, Cover Enclosure, two (2) Gaskets, Solenoid Body, Solenoid Enclosure and Solenoid Filter Plug – <b>DISCONTINUED</b>
7A.	3315254	EBF-1011-A	Solenoid Replacement Kit includes Solenoid Body, Solenoid Enclosure and Solenoid Filter Plug
8.	3315018	EBF-79-A	Mounting Hardware Kit for Control Module Assembly includes four (4) Anchor Nuts, four (4) Toggle Nuts, four (4) Mounting Screws for Base Plate, four (4) Flat Washers, four (4) Anchors, and four (4) Metal Screws
—	3315028	EBF-1004-A	Solenoid Filter Replacement Kit (not shown) includes Filter Screen Assembly and O-ring
—	0315034	EBF-50	Control Module Replacement Gasket (two required)
<b>TRIM PLATES</b>			
9A.	3365473	ETF-662-A	4" (102 mm) Centerset Single-hole Trim Plate Kit (Standard)
9B.	3365024	ETF-510-A	8" (204 mm) Centerset Single-hole Trim Plate Kit (Optional)
<b>OPTIONAL MIXING VALVES</b>			
10.	3326009	MIX-60-A	Below Deck Mechanical Water Mixing Valve (BDM Variation)
11.	0326045	MIX-135-A	Below Deck Thermostatic Water Mixing Valve (BDT Variation)
12.	3326018	MIX-110-AA	Optimix® Deck Mounted Water Mixing Valve

— = Not shown in illustration

**DISCONTINUED FAUCET**

---

**Optima Plus® ERF- 885 Faucet Discontinued**


---



---

**TROUBLESHOOTING GUIDE**


---

**1. Control module troubleshooting beeper DOES NOT function (no audio “beeps” sound during faucet initialization, battery install or after reset button is pressed).**

- A. No battery power is being supplied to control module. Ensure that the batteries are installed properly into the control module. Check that the orientation of each battery matches the positive (+) and negative (-) symbols shown on the bottom of the battery compartment. Reinsert the battery compartment into the control module. Make sure the battery connector is securely attached to the battery compartment. An audio “beep” should sound 6 times.
- B. Insufficient battery power is being supplied to Control module. One (or more) of the batteries is “dead”. To ensure proper operation, insert four (4) new C-size Alkaline batteries. Check that the orientation of each battery matches the positive (+) and negative (-) symbols shown on the bottom of the battery compartment. Reinsert the battery compartment into the control module. Make sure the battery connector is securely attached to the battery compartment. An audio “beep” should sound 6 times.

**2. Faucet DOES NOT deliver any water when Sensor is activated.**

**INDICATOR: Solenoid valve produces audible “CLICK.”**

- A. Water supply valve is closed. Open supply stop(s) completely.

**INDICATOR: Solenoid valve DOES NOT produce an audible “CLICK.”**

- B. Solenoid lead is not properly connected to the control module. Disconnect and reconnect solenoid lead to the control module.
- C. Batteries are not installed properly. Check that the orientation of each battery matches the positive (+) and negative (-) symbols shown on the bottom of the battery compartment. Reinsert the battery compartment into the control module. Make sure the battery connector is securely attached to the battery compartment. An audio “beep” should sound 6 times.

**3. Faucet delivers only a slow flow or dribble when sensor is activated.**

- A. Water supply valve is partially closed. Open supply stop(s) completely.
- B. Solenoid filter is clogged. Remove, clean, and reinsert. Replace EBF-1004-A solenoid filter kit if necessary.
- C. Aerator or spray head is clogged. Remove, clean, and reinsert.

**4. Faucet DOES NOT stop delivering water or continues to drip after user is no longer detected (automatic shut-off fails even when batteries are removed).**

- A. Solenoid valve has been connected backwards. Disassemble solenoid valve compression fittings at both the inlet and outlet positions. The water should flow from inlet through the solenoid valve to the outlet according to the direction of the arrow shown on the side of the solenoid valve. Reconnect the compression fittings in the correct orientation.
- B. Solenoid valve is dirty. Backflush by reversing water flow (opposite to the direction shown by the arrow on the side of the solenoid valve) through the solenoid valve. Reconnect the compression fittings in the correct orientation. Activate faucet.
- C. Solenoid valve module is not working properly. Replace solenoid valve module.

**5. The water temperature is too hot or too cold on a faucet connected to hot and cold supply lines with Bak-Chek® Tee.**

- A. Supply stops are not adjusted properly. Adjust supply stops.

**NOTE:** For some systems, a thermostatic mixing valve may be required.

---

**CARE AND CLEANING**


---

**DO NOT USE** abrasive or chemical cleaners (including chlorine bleach) to clean faucets as they may dull the luster and attack the chrome or special decorative finishes. Use **ONLY** soap and water, then wipe dry with clean cloth or towel.

While cleaning the bathroom tile, the faucet should be protected from any splattering of cleaner. Acids and cleaning fluids will discolor or remove chrome plating.

**When assistance is required, please contact Sloan Technical Support at: 1-888-SLOAN-14 (1-888-756-2614).**

DISCONTINUED FAUCET



## Optima® ELF-10/ESF-20/ESF-30 Faucets Discontinued

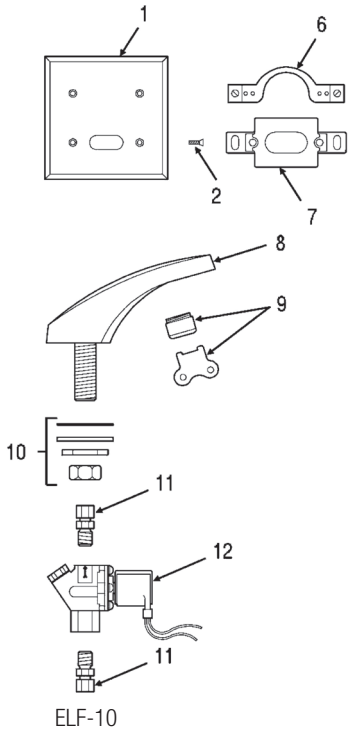


ELF-10

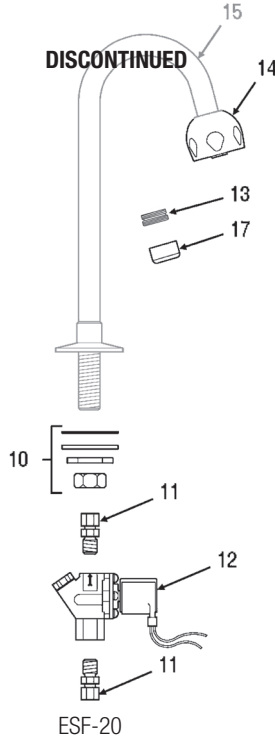


ESF-20

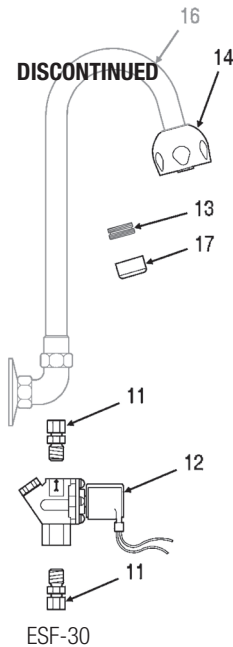
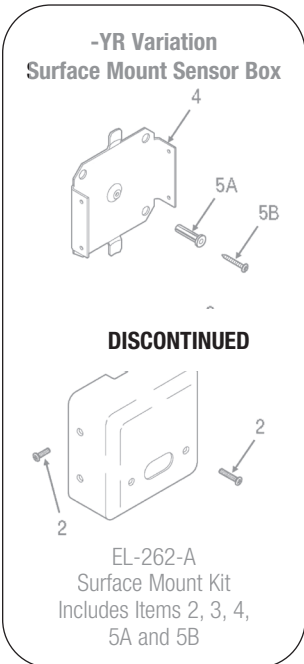
ESF-30



ELF-10



ESF-20



ESF-30

### PARTS LIST—ELF-10, ESF-20, AND ESF-30 FAUCETS

Item No.	Code No.	Part No.	Description
1.	<b>0305161</b>	EL-161	Cover Plate for 2-gang junction box (4-1/2" square)
2.	<b>0305152</b>	EL-152	Cover Plate Screws (use 5/64" hex wrench)
3.	<b>0305341</b>	EL-236	Sensor Box (for -YR Variation) – <b>DISCONTINUED</b>
4.	<b>0305345</b>	EL-242	Wall Mounting Bracket Plate (for -YR Variation) – <b>DISCONTINUED</b>
5A.	<b>0311048</b>	K-57	Anchor (for -YR Variation) – <b>DISCONTINUED</b>
5B.	<b>0311041</b>	K-44	Slotted Wood Screw (for -YR Variation) – <b>DISCONTINUED</b>
6.	<b>0305323</b>	EL-168-A	Yoke Assembly includes Yoke, two (2) Screws, and two (2) Washers
7.	<b>3305622</b>	EL-1500-LL	OPTIMA Lavatory Sensor
	<b>3305623</b>	EL-1500-LL-T	OPTIMA Lavatory Sensor with 30-second timeout
8.	<b>0365162</b>	ETF-595-A	Faucet Spout Assembly (ELF-10)
9.	<b>3365092</b>	ETF-1023-A	0.5 gpm (1.9 Lpm) Spray Head with Key (male thread)
	<b>3365093</b>	ETF-1024-A	2.2 gpm (8.3 Lpm) Aerator Spray Head with Key (male thread)
	<b>3365162</b>	ETF-1029-A	2.2 gpm (8.3 Lpm) Laminar Flow Spray Head with Key (male thread)
	<b>0305927</b>	ETF-435	Replacement Key Only
10.	<b>0305768</b>	EL-310-A	Mounting Hardware Kit (ELF-10 and ESF-20 only) includes Washer, Locking Nut, Coupling Nut, Rubber Washer, and Washer Cone
11.	<b>0305459</b>	ETF-61	3/8" Male Compression Fitting x 3/8" NPT
12.	<b>3305527</b>	ETF-1004-A	24 VAC Solenoid Valve Assembly includes male Compression Fitting, Input Power Cable, Solenoid Valve with stainless steel seat, and quick-disconnect Terminal Receptacle
—	<b>3305577</b>	ETF-1009-A	Solenoid Valve Repair Kit includes Replacement Filter
	<b>3375003</b>	MCR-1003-A	Diaphragm only
13.	<b>0305784</b>	ETF-178	Aerator Adapter (ESF-20 and ESF-30 only; not required for Shower Spray Head)
14.	<b>0328134</b>	AC-55-A	Shower Spray Head Assembly, 2.2 gpm (8.3 Lpm)
15.	<b>0328198</b>	AC-92-A	Deck-Mounted Faucet with Gooseneck Spout (ESF-20) – <b>DISCONTINUED</b>
—	<b>0305797</b>	AC-93-A	Deck-Mounted Faucet with Surgical Bend Gooseneck Spout (ESF-20)
16.	<b>0328140</b>	AC-97-A	Back-Mounted Faucet with Gooseneck Spout (ESF-30) – <b>DISCONTINUED</b>
—	<b>0305798</b>	AC-94-A	Back-Mounted Faucet with Surgical Bend Gooseneck Spout (ESF-30) – <b>DISCONTINUED</b>
17.	<b>3365090</b>	ETF-621-A	2.2 gpm (8.3 Lpm) Aerator Spray Head with Key (female thread)
—	<b>0305368</b>	EL-262-A	Surface Mount Kit includes Items 2, 3, 4, 5A, and 5B (for -YR Variation) – <b>DISCONTINUED</b>

Sloan faucets are available in various finishes – contact factory for part numbers.

— = Not shown in illustration

**DISCONTINUED FAUCET**

## Optima® ELF-10/ESF-20/ESF-30 Faucets Discontinued

### TROUBLESHOOTING GUIDE

#### 1. Faucet DOES NOT function (RED indicator light does not illuminate when user steps in front of sensor).

- A. No power is supplied to sensor. Ensure that power is turned "ON". Check transformer, leads, and connections. Repair or replace as necessary.
- B. Sensor is not operating. Replace EL-1500-LL or EL-1500-LL-T sensor.

#### 2. Faucet DOES NOT function (RED indicator light appears when user steps in front of sensor BUT solenoid does NOT "CLICK").

- A. Debris is clogging solenoid. Disassemble, clean, flush, and reassemble.
- B. Solenoid electrical wiring is not correctly connected. Check solenoid connections.
- C. Solenoid is not working. Replace ETF-1004-A solenoid.

#### 3. No water is delivered when faucet is activated.

INDICATOR: Solenoid "CLICK" can be heard:

- A. Water supply stop(s) may be partially closed. Open stop(s).
- B. Solenoid filter is clogged. Shut off water supply. Remove, clean, and reinstall solenoid filter. Replace ETF-1009-A solenoid filter if necessary.

#### 4. Very low flow or slow dribble

- A. Water supply stop(s) may be partially closed. Open stop(s).
- B. Solenoid filter is clogged. Shut off water supply. Remove, clean, and reinstall solenoid filter. Replace ETF-1009-A solenoid filter if necessary.
- C. Aerator or spray head is clogged. Remove, clean, and reinstall.
- D. Debris is clogging solenoid. Disassemble, clean, flush, and reassemble.

#### 5. Faucet DOES NOT stop delivering water or continues to drip after user is no longer detected (power is "ON" and RED indicator light is flashing).

- A. Non-permanent target is still detected in range of sensor after user

exits range. Remove non-permanent target. If the target is a new permanent target (i.e., a new wall or partition), turn 24 VAC power supply "OFF" for fifteen (15) seconds. Turn power supply "ON". Allow the sensor to complete the start-up procedure.

- B. Sensor has failed. Replace EL-1500-LL or EL-1500-LL-T sensor.

#### 6. Faucet DOES NOT stop delivering water or continues to drip after user is no longer detected (even after power supply has been disconnected).

- A. Solenoid Valve is installed backward. Disconnect solenoid. Reconnect solenoid so the water flow is directed toward the faucet.
- B. The solenoid is dirty and is not closing properly. Remove solenoid operator, clean, and reassemble.

**When assistance is required, please contact  
Sloan Technical Support at: 1-888-SLOAN-14 (1-888-756-2614).**

**DISCONTINUED FAUCET**

## Trim Plates

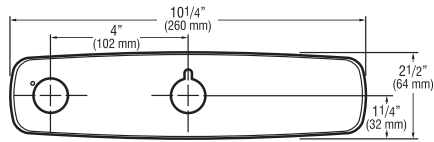
### Description

Sloan offers a variety of Trim Plate Kits for use with OPTIMA® and OPTIMA Plus® Faucets

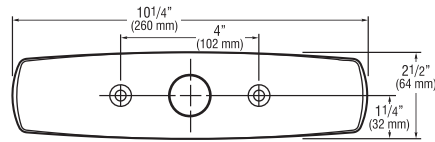
### Specifications

Trim Plates are Chrome Plated Brass and are available for both 4" (102 mm) and 8" (203 mm) Centerset sinks.

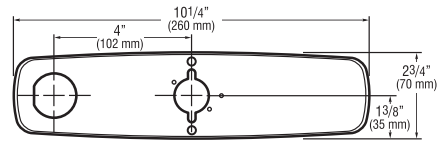
### 8 Inch Trim Plates For 8" (203 mm) Centerset Sink



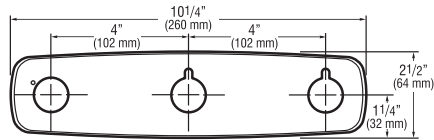
**ETF-432-A** For use with ETF-660 and ETF-770 faucets



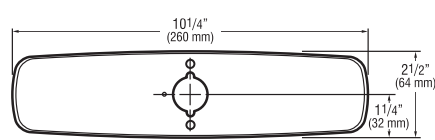
**ETF-578-A** For use with ETF-600, EBF-650 and EBF-655 faucets



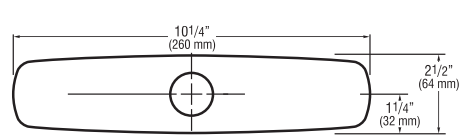
**MIX-106-A** For use with ETF-610, ETF-700, EBF-615, EBF-625 and EBF-750 faucets with ADM (MIX-110-A-6)



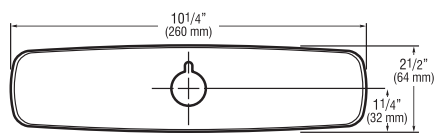
**ETF-433-A** For use with ETF-660 and ETF-770 faucets with ADM (MIX-110-A-2)



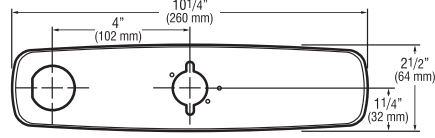
**ETF-608-A** For use with ETF-610, ETF-700, EBF-615, EBF-625 and EBF-750 faucets



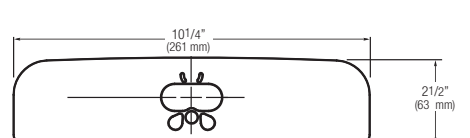
**SFP-22** For use with SF-2100/2200/2400, EAF-100, EAF-150 faucets and EAF-350 and EAF-700 Series with 8" centerset



**ETF-510-A** For use with EAF-200/250/275, ELF-10, ESF-20, ETF-80, ETF-880, EBF-85, EBF-187 and ERF-885 faucets

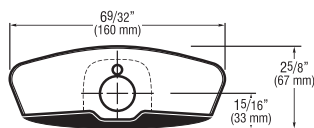


**MIX-104-A** For use with ELF-10, ESF-20, ETF-80, ETF-880, EBF-85 and EBF-187 faucets with ADM (MIX-110-A-5)

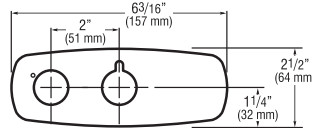


**EFX-26-A** For use with BASYS EFX-1XX, 2XX, 3XX, 8" baseplate with gasket

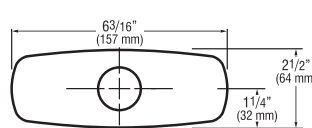
### 4 Inch Trim Plates For 4" (102 mm) Centerset Sink



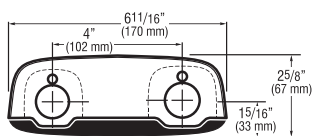
**ETF-295-A** For use with ETF-80 and EBF-85 faucets



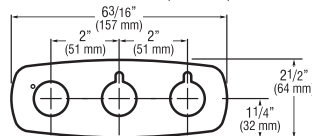
**ETF-313-A** For use with ETF-660 and ETF-770 faucets



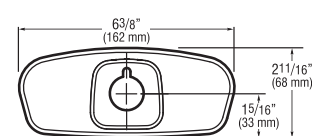
**SFP-11** For use with SF-2100/2200/2400 faucets EAF-100, EAF150, 200, EAF-350 and EAF-700 series



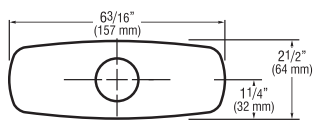
**ETF-299-A** For use with ETF-80 and EBF-85 faucets with soap/faucet combination



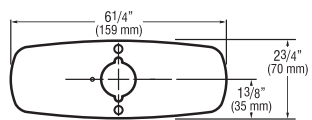
**ETF-314-A** For use with ETF-660 and ETF-770 faucets with ADM (MIX-110-A-1)



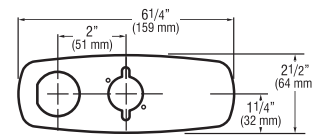
**ETF-662-A** For use with ETF-880 faucets



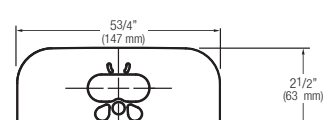
**ETF-312-A** For use with EAF-200/250/275, ELF-10, ESF-20, ETF-880 and



**ETF-607-A** For use with ETF-610, ETF-700, EBF-625 and EBF-750 faucets






**MIX-101-A** For use with ELF-10, ESF-20, ETF-80, ETF-880, EBF-85 and EBF-187 faucets










**EFX-20-A** For use with BASYS EFX-1XX, 2XX, 3XX, 4" baseplate with gasket

## Faucet Spout End Devices






### BASYS EFX-9/EFX-10

Part No.	Code No.	Flow Rate
EFX-1002-A	<b>3324104</b>	0.5 gpm (1.9 Lpm)
Spray Insert Kit w/Key and Hex Key		
EFX-10001-A	<b>3324103</b>	1.5 gpm (5.7 Lpm)
Spray Insert Kit w/Key and Hex Key		
EFX-1000-A	<b>3324102</b>	1.5 gpm (5.7 Lpm)
LAM		

### ETF-80/ETF-880/ETF-770 – EBF-85/EBF-187 – SF-2200/SF-2250 (THREAD SIZE 55/64" -27)

Part No.	Code No.	Flow Rate
ETF-839	<b>0365793</b>	0.35 gpm (1.3 Lpm)
Multi-Laminar Female Thread VR w/Key		
ETF-1021-A	<b>3365091</b>	0.5 gpm (1.9 Lpm)
Multi-Laminar Spray Female Thread VR w/Key		
ETF-1022-A	<b>3365090</b>	2.2 gpm (8.3 Lpm)
AER Female Thread VR w/Key		
ETF-1027-A	<b>3365160</b>	2.2 gpm (8.3 Lpm)
LAM Female Thread VR w/Key		
ETF-1028-A	<b>3365161</b>	1.5 gpm (5.6 Lpm)
LAM Female Thread VR w/Key		
ETF-1038-A	<b>3365755</b>	0.35 gpm (1.3 Lpm)
Multi-Laminar Female Thread VR w/Key		
SFP-14	<b>0362014</b>	2.2 gpm (8.3 Lpm)
LAM Female Thread		










### ETF-600/ETF-610/ETF-660 – EBF-615/EBF-625/EBF-650/EBF-655 – ELF-10 (THREAD SIZE 15/16" -27)

EAF-10	<b>0335008</b>	2.2 gpm (8.3 Lpm)
LAM Male Thread		
ETF-688	<b>0365395</b>	1.5 gpm (5.6 Lpm)
LAM Male Thread VR w/Key		
ETF-1023-A	<b>3365092</b>	0.5 gpm (1.9 Lpm)
Multi-Laminar Spray Male Thread VR w/Key		
ETF-1024-A	<b>3365093</b>	2.2 gpm (8.3 Lpm)
AER Male Thread VR w/Key		
ETF-1029-A	<b>3365162</b>	2.2 gpm (8.3 Lpm)
LAM Male Thread VR w/Key		
ETF-1039-A	<b>3365756</b>	0.35 gpm (1.3 Lpm)
Multi-Laminar Male Thread VR w/Key		


**Key:** LAM – Laminar  
 AER – Aerated  
 VR – Vandal Resistant  
 JR – Junior

## Faucet Spout End Devices




### EAF SERIES - SF-2100/SF-2150/SF-2300/SF-2350/SF-2400/SF-2450 (THREAD SIZE M24)

Part No.	Code No.	Flow Rate
EAF-12	<b>0335010</b>	0.5 gpm (1.9 Lpm)
Multi-Laminar Spray Metric Male Thread		
EAF-13	<b>0335011</b>	2.2 gpm (8.3 Lpm)
LAM Metric Male Thread		
EAF-15	<b>0335012</b>	0.5 gpm (1.9 Lpm)
Multi-Laminar Metric Male Thread VR w/Key		
EAF-22	<b>0335021</b>	1.5 gpm (5.6 Lpm)
AER Metric Male Thread		
EAF-51	<b>0335029</b>	0.35 gpm (1.3 Lpm)
Multi-Laminar Metric Male Thread		
SFP-13	<b>0362013</b>	0.5 gpm (1.9 Lpm)
Multi-Laminar Spray Metric Male Thread		
SFP-23	<b>0362023</b>	2.2 gpm (8.3 Lpm)
AER Metric Male Thread		
SFP-24	<b>0362024</b>	2.2 gpm (8.3 Lpm)
AER Metric Male Thread VR w/Key		
SFP-1000	<b>3362000</b>	0.35 gpm (1.3 Lpm)
Multi-Laminar Metric Male Thread VR w/Key		
AER Metric Male Thread	Not Shown	
EAF-63	<b>0335036</b>	0.5 gpm (1.9 Lpm)

### SLOANSTONE EW-72000/73000 SERIES (THREAD SIZE 13/16"-27)

Part No.	Code No.	Flow Rate
ETF-1037-A	<b>3365747</b>	1.0 gpm (3.8 Lpm)
Multi-Laminar Spray JR Male Thread VR w/Key		



### ETF-500/ETF-700 SERIES – ETF-800 – ESF-20/ESF-30/ESF-40 (THREAD SIZE 3/4"-27)

Part No.	Code No.	Flow Rate
ETF-621	<b>0365147</b>	2.2 gpm (8.3 Lpm)
LAM JR Female Thread		
ETF-687	<b>0365387</b>	1.5 gpm (5.6 Lpm)
LAM JR Female Thread		
ETF-801	<b>0365420</b>	0.5 gpm (1.9 Lpm)
Multi-Laminar Spray JR Female Thread		

### INSERT ONLY

ETF-689	<b>0365381</b>	1.5 gpm (5.6 Lpm)
LAM Spray Head Insert		
ETF-843	<b>0365437</b>	0.5 gpm (1.9 Lpm)
Multi-Laminar Spray Head Insert		

### VANDAL RESISTANT SPRAY HEAD REMOVAL KEY

Part No.	Code No.
ETF-435	<b>0305927PK</b>
Regular/JR Size VR Removal Key	
ETF-731	<b>0365736</b>
Regular/JR Size VR Removal Key	

**Key:** LAM – Laminar  
AER – Aerated  
VR – Vandal Resistant  
JR – Junior



## WATER CLOSETS

### Wall Hung Water Closets

#### ST-2000 WALL HUNG SERIES

Item No.	Code No.	Part No.	Description
1.	<b>2102059</b>	ST-2059-A	Top Spud 1.1 to 1.6 gpf (4.2 to 6.0 Lpf) Universal Wall Hung Closet - <b>Discontinued</b>
2.	<b>2102060</b>	ST-2060-A	HET Rear Spud 1.28 gpf (4.8 Lpf) Wall Hung Closet - <b>Discontinued</b>
	<b>2102063</b>	ST-2063-A	Rear Spud 1.6 gpf (6.0 Lpf) Wall Hung Closet
	<b>2112059</b>	ST-2059-A-BPL	Top Spud 1.1 to 1.6 gpf (4.2 Lpf to 6.0 Lpf) Bedpan Lug Universal Wall Hung Closet - <b>Discontinued</b>
3.	<b>2102459</b>	ST-2459	Top Spud 1.1 to 1.6 gpf (4.2 to 6.0 Lpf) Universal Wall Hung Closet
	<b>2112459</b>	ST-2459-BPL	Top Spud 1.1 to 1.6 gpf (4.2 Lpf to 6.0 Lpf) Bedpan Lug Universal Wall Hung Closet
4.	<b>2102469</b>	ST-2469	Rear Spud 1.1 to 1.6 gpf (4.2 to 6.0 Lpf) Universal Wall Hung Closet



### Floor Mount Closets

#### ST-2000 FLOOR MOUNT SERIES

Item No.	Code No.	Part No.	Description
1.	<b>2102009</b>	ST-2009	Top Spud 1.1 to 1.6 gpf (4.2 to 6.0 Lpf)
	<b>2102029</b>	ST-2029	Top Spud 1.6/1.1 gpf (4.2 to 6.0 Lpf) ADA
	<b>2112029</b>	ST-2029BPL	Top Spud 1.6/1.1 gpf (4.2 to 6.0 Lpf) ADA Bedpan Lug Universal Floor Mount Closet
	<b>2102449</b>	ST-2449	Top Spud 1.1 to 1.6 gpf (4.2 to 6.0 Lpf) Universal Floor Mount TAS Closet
2.	<b>2102019</b>	ST-2019	Rear Spud 1.6 gpf (6.0 Lpf) Universal Floor Mount Closet
	<b>2102039</b>	ST-2039	Mount Closet Rear Spud 1.1/1.6 gpf (4.2 to 6.0 Lpf) ADA Universal
3.	<b>2102229</b>	ST-2229	Top Spud 1.1 to 1.6 gpf (4.2 to 6.0 Lpf) ADA Universal Floor Mount Rear Outlet Closet
4.	<b>2102309</b>	ST-2309	Top Spud 1.1 to 1.6 gpf (4.2 to 6.0 Lpf) Universal Junior Toilet
	<b>0319127</b>	ST-27-A	Spud Assembly 1 1/2" - All Closets (not shown)
5.	<b>2112539</b>	ST-2539-LR	Rear Spud 1.28 to 1.6 gpf (4.8 to 6.0 Lpf) Universal Floor Mount Rear Outlet Closet





## Wall Hung & Floor Mount Water Closets

### TROUBLESHOOTING GUIDE

- 1. Water does not shut off in bowl.**
  - A. Malfunctioning flushometer.  
Contact Sloan Technical Support at 1-888-SLOAN-14 (1-888-756-2614).
  - B. Supply pressure too low. Minimum flowing pressure must be 25 PSI.  
Adjust supply pressure.
- 2. Water is leaking from toilet.**
  - A. Toilet is not properly mounted. Tighten toilet mount nuts.
  - B. Toilet is not properly mounted. Replace gasket seal.
- 3. Toilet emits odor.**
  - A. Plugged vent line. Remove or clear obstruction in vent line.
- 4. Poor or sluggish flush.**
  - A. Supply pressure too low. Water supply must be able to provide 18 gpm at 25 psi.
  - B. Partially clogged trapway and/or drain pipe and/or vent. Remove or clear obstruction in vent line.
- 5. Incomplete evacuation.**
  - A. Improper Flushometer control stop setting. Close control stop and gradually open until full evacuation is achieved.

### IMPORTANT INFORMATION

1. Do not use harsh or caustic chemicals such as drain opening types in this system. These products will damage the vitreous finish.
2. Do not permit foreign objects (i.e., paper towels, paper cups, sanitary napkins, etc.) to be flushed through the toilet.
3. The toilet must be regularly cleaned. See CARE AND CLEANING for details.

### CARE AND CLEANING

Sloan's toilets should be cleaned regularly for maximum sanitary and operational performance. As with any plumbing product consistency is important to achieve efficiency and general cleanliness. Before you begin to clean a toilet, gather all the needed materials including personal protection equipment, such as gloves and eyewear.

#### What You'll Need:

Goggles/safety glasses  
Toilet Brush  
Gloves  
Cleanser for inside the bowl  
Cleanser for outside the bowl  
Paper towels or cloth

#### Inside Toilet Bowl:

Add your choice of powder, liquid or gel cleanser to the bowl\*. Try to apply the cleaner as close to the toilet rim as possible to prevent diluted cleanser. Begin cleaning the bowl from the top down. Always begin scrubbing under the rim first. Look under the rim to get all the stains and grime scrubbed away. Next scrub the bowl. Finally scrub the drain at the bottom of the bowl. Flush the toilet.

#### Outside Toilet:

Using a disinfectant/detergent cleaner, mixed either in a spray bottle or in a bucket (according to label instructions), spray or wipe down all the hard surfaces outside of the bowl paying close attention to high touch areas like the toilet seat and flushometer. **NOTE: DO NOT use abrasive or chemical cleaners (including chlorine) to clean flushometers that may dull the luster and attack the chrome or special decorative finishes. Use ONLY mild soap and water, then wipe dry with a clean towel or cloth. If cleaning the fixture with an abrasive or chemical cleaner protect the flushometer from any splattering of cleaner. Acids and cleaning fluids will discolor or remove the finish.** The toilet seat should never be neglected. It is the part of the toilet that comes into actual contact with people, and it needs to be cleaned thoroughly. Raise the seat. Spray the seat, inside lid (if applicable) and the rim of the toilet with cleanser. Wipe down the lid, seat and hinges at the back of the toilet seat.

#### Wipe Up Spills:

Wipe up any spills that may have splashed or occurred during cleaning.

#### Service Tip:

Checking for water leaks around toilet fixtures can be difficult to locate the source. Place paper towels around suspected area. It is best to start at the top of the fixture since gravity will cause the water leak to run downward.

**When assistance is required, please contact Sloan Technical Support at: 1-888-SLOAN-14 (1-888-756-2614).**

\*Consult your local janitorial supply to advise best cleansers to use for local water types. Always use cleaners according to their instructions.

---

**Pressure-assisted Toilets**


---


**WETS-8000 Series**

Model Description	GPF	Handle	Rough-in	Standard Glaze	Sloan TecGlaze
ST-8016 Pressure Assist Tank Assembly	1.0	Left Hand	12"	2108016	-
ST-8010 Pressure Assist Tank Assembly	1.28	Left Hand	12"	2108010	-
ST-8013 Pressure Assist Tank Assembly	1.6	Left Hand	12"	2108013	-
ST-8116 Pressure Assist Tank Assembly	1.0	Right Hand	12"	2108116	-
ST-8110 Pressure Assist Tank Assembly	1.28	Right Hand	12"	2108110	-
ST-8113 Pressure Assist Tank Assembly	1.6	Right Hand	12"	2108113	-
ST-8009 Standard Height PA Bowl	1.0 to 1.6	-	10" or 12"	2108009	2178009
ST-8029 ADA Height PA Bowl	1.0 to 1.6		10" or 12"	2108029	2178029

## Pressure-assisted Toilets

### TROUBLESHOOTING GUIDE

#### 1. Poor Flush.

- A. Check the overall height of the lever in comparison to the frame, and adjust if required.
- B. Make sure water supply valve is fully open.
- C. Flush the supply line to clear any debris and clean inlet screen.
- D. Check bowl (main jet, rim holes and trapway), drain line, and vent for blockage.
- E. Check water pressure supply, operating range is 20-80 PSI (503 Series), 25-80 PSI (504 Series).

#### 2. Pressure vessel takes a long time to fill.

- A. Make sure water supply valve is fully open.
- B. Flush the supply line to clear any debris and clean inlet screen.
- C. Check water pressure supply, operating range is 20-80 PSI (503 Series), 25-80 PSI (504 Series).

#### 3. Noisy pressure vessel water refill.

- A. Flush the supply line to clear any debris and clean inlet screen.
- B. Flush the toilet and hold the handle down for 30 to 40 seconds to flush the system.

#### 4. Water continues to flow through the vessel and will not refill.

- A. Check the overall height of the lever in comparison to the frame, the cable connection to the frame and lever, and adjust if required.
- B. Make sure water supply valve is fully open.
- C. Flush the supply line to clear any debris and clean inlet screen.
- D. Check cartridge and adjust if required.

#### 5. Handle does not activate flush.

- A. Check the cable cassette connection to handle the cable connection to the frame and lever, and adjust if required.
- B. Make sure water supply valve is fully open.
- C. Flush the supply line to clear any debris and clean inlet screen.

#### 6. If the water rises in bowl during the flush and stays there, or drains slowly.

- A. Check bowl (main jet, rim holes and trapway), drain line, and vent for blockage.

#### 7. Leaking tanks.

- A. Check the tank-to-bowl gasket to ensure it is aligned properly and tighten the tank bolts.
- B. Check tank for cracks. If cracked the tank must be replaced.
- C. Check tank bolts. Rubber washers may be corroded or bolts may be loose. Replace or tighten as necessary.

**NOTE: be careful not to overtighten nuts on tank as this may result in cracking the tank.**

**NOTE: It is normal to have some residual water (less than 1") inside the tank.**

**The vessel is equipped with a drain valve to drain off excess water.**

#### Cleaning & Maintenance

Clean water closet at least once per week with a cleaner safe for vitreous china.

Spray and wipe clean using soft cloth.

Soft abrasive cleaners may be used to remove stains if you live in a hard water area, you should make certain that the holes under the rim are kept clean and free of mineral build up for proper bowl performance. Use a long-handled brush to clean the rim holes.

Make sure to periodically clean the in-line filter located in the water inlet of the water supply valve.

**CAUTION:** Do not use any in-tank cleaners or deodorizers. Products containing chlorine (calcium hypochlorite) can seriously damage the Flushmate as well as the fittings in your tank. This damage can cause leakage and property damage. For more complete up-to date information please visit us at [www.sloan.com](http://www.sloan.com).

If further assistance is required, if you should still have trouble contact Sloan Technical Support at: 1-888- SLOAN-14 (1-888-756-2614)

## Gravity Toilets



### WETS-4000 Series

Model Description	GPF	Handle	Rough-in	Standard Glaze	Sloan TecGlaze
ST-4010 Gravity Tank Assembly	1.28	Left Hand	12"	2104010	21740092
ST-4011 Gravity Tank Assembly	1.1	Left Hand	12"	2104011	21740093
ST-4013 Gravity Tank Assembly	1.6	Left Hand	12"	2104013	21740094
ST-4110 Gravity Tank Assembly	1.28	Right Hand	12"	2104110	21740095
ST-4111 Gravity Tank Assembly	1.1	Right Hand	12"	2104111	21740096
ST-4113 Gravity Tank Assembly	1.6	Right Hand	12"	2104113	21740097
ST-4210 Gravity Tank Assembly	1.28	Left Hand	10"	2104210	21740098
ST-4211 Gravity Tank Assembly	1.1	Left Hand	10"	2104211	21740099
ST-4213 Gravity Tank Assembly	1.6	Left Hand	10"	2104213	21740100
ST-4310 Gravity Tank Assembly	1.28	Right Hand	10"	2104310	21740101
ST-4311 Gravity Tank Assembly	1.1	Right Hand	10"	2104311	21740102
ST-4313 Gravity Tank Assembly	1.6	Right Hand	10"	2104313	21740103
ST-4009 Standard Height Gravity Bowl	1.1 to 1.6	.	10" or 12"	2104009	2174009
ST-4029 ADA Height Gravity Bowl	1.1 to 1.7	.	10" or 12"	2104029	21740091

---

## Gravity Toilets

---

---

### TROUBLESHOOTING GUIDE

---

#### 1. Poor Flush.

- A. Confirm tank is refilling to the water level marked on the refill tube. Adjust as needed following instructions in Step # 5.
- B. Check bowl (main jet, rim holes and trapway), drain line, and vent for blockage.

#### 2. Tank takes a long time to fill.

- A. Make sure water supply valve is fully open.
- B. Flush the supply line to clear any debris.
- C. Check water pressure supply, operating range is 5-80 psi

#### 3. Water continues to run on and will not shut off.

- A. Remove tank lid and confirm the flapper chain is not kinked and has adequate slack to allow flapper to fully seal.
- B. Inspect the rubber seal on the flapper and the top edge of the flush valve to ensure they are clean and free from mineral build-up or debris. Replace flapper if required.

#### 4. Handle does not activate flush.

- A. Remove tank lid and check the flapper chain connection and reattach.
- B. Confirm chain has adequate slack by flushing the toilet. Adjust as needed.

#### 5. Toilet seems to be leaking (water on floor).

- A. Check the tank-to-bowl gasket to ensure it is aligned properly and tighten the tank bolts.
- B. Check tank for cracks. If cracked the tank must be replaced.
- C. Check tank bolts. Rubber washers may be corroded or bolts may be loose. Replace or tighten as necessary.

NOTE: Be careful not to overtighten nuts on tank as this may result in cracking the tank.

- D. Check around the base of the toilet for leaks. If water is coming from underneath the toilet should be removed to inspect the wax gasket and replaced as needed.

---

### CARE AND CLEANING

---

Clean water closet at least once per week with a cleaner safe for vitreous china. Spray and wipe clean using soft cloth. Soft abrasive cleaners may be used to remove stains.

- If you live in a hard water area, you should make certain that the holes under the rim are kept clean and free of mineral build up for proper bowl performance. Use a long-handled brush to clean the rim holes. Do not use any in-tank cleaners or deodorizers. Products containing chlorine (calcium hypochlorite) can seriously damage your toilet fittings in the tank. This damage can cause leakage and property damage.

## Washdown Urinals

### STANDARD URINAL SERIES



Item No.	Code No.	Part No.	Description
1. <b>Discontinued</b>	<b>1101000</b>	SU-1000-A	HEU Top Spud 0.125 gpf (0.5 Lpf) Standard Urinal
	<b>1101002</b>	SU-1002-A	HEU Top Spud 0.25 gpf (1.0 Lpf) Standard Urinal
	<b>1101005</b>	SU-1005-A	HEU Top Spud 0.5 gpf (1.9 Lpf) Standard Urinal
	<b>1101006</b>	SU-1006-A	Top Spud 1.0 gpf (3.8 Lpf) Standard Urinal
	<b>1101009</b>	SU-1009	HEU Top Spud 0.125 to 1.0 gpf (0.5 to 1.0 Lpf) Universal Standard Urinal
2. <b>Discontinued</b>	<b>1101010</b>	SU-1010-A	HEU Rear Spud 0.125 gpf (0.5 Lpf) Standard Urinal
	<b>1101012</b>	SU-1012-A	HEU Rear Spud 0.25 gpf (1.0 Lpf) Standard Urinal
	<b>1101015</b>	SU-1015-A	HEU Rear Spud 0.5 gpf (1.9 Lpf) Standard Urinal
	<b>1101016</b>	SU-1016-A	Rear Spud 1.0 gpf (3.8 Lpf) Standard Urinal
	<b>1101019</b>	SU-1019	HEU Rear Spud 0.125 gpf to 1.0 gpf (0.5 Lpf to 3.8 Lpf) Standard Urinal



### RETROFIT URINAL SERIES

Item No.	Code No.	Part No.	Description
3. <b>Discontinued</b>	<b>1101200</b>	SU-1200-A	HEU Top Spud 0.125 gpf (0.5 Lpf) Retrofit Urinal
	<b>1101202</b>	SU-1202-A	HEU Top Spud 0.25 gpf (1.0 Lpf) Retrofit Urinal
	<b>1101205</b>	SU-1205-A	HEU Top Spud 0.5 gpf (1.9 Lpf) Retrofit Urinal
	<b>1101209</b>	SU-1209	HEU Top Spud 0.125 to 0.5 gpf (0.5 to 1.9 Lpf) Universal Retrofit Urinal
4. <b>Discontinued</b>	<b>1101210</b>	SU-1210-A	HEU Rear Spud 0.125 gpf (0.5 Lpf) Retrofit Urinal
	<b>1101212</b>	SU-1212-A	HEU Rear Spud 0.25 gpf (1.0 Lpf) Retrofit Urinal
	<b>1101215</b>	SU-1215-A	HEU Rear Spud 0.5 gpf (1.9 Lpf) Retrofit Urinal
	<b>1101219</b>	SU-1219	HEU Rear Spud 0.125 to 0.5 gpf (0.5 to 1.9 Lpf) Universal Retrofit Urinal



### SMALL URINAL SERIES

Item No.	Code No.	Part No.	Description
5. <b>Discontinued</b>	<b>1107009</b>	SU-7009	HEU Top Spud 0.125 to 1.0 gpf (0.5 to 3.8 Lpf) Universal Small Urinal
	<b>1107006</b>	SU-7006	Top Spud 1.0 gpf (3.8 Lpf) Small Urinal
6. <b>Discontinued</b>	<b>1107019</b>	SU-7019	HEU Rear Spud 0.125 to 1.0 gpf (0.5 to 3.8 Lpf) Universal Small Urinal
	<b>1107016</b>	SU-7016	Rear Spud 1.0 (3.8 Lpf) Small Urinal
7.	<b>1107409</b>	SU-7409	Top Spud 0.125 to 1.0 gpf (0.5 to 3.8 Lpf) Universal Small Urinal
8.	<b>1107419</b>	SU-7419	HEU Rear Spud 0.125 to 1.0 gpf (0.5 to 3.8 Lpf) Universal Small Urinal



### ACCESSORIES

<b>0319147</b>	SU-47-A	Spud Assembly 3/4" - All Urinals (not shown)
<b>0319060</b>	SU-20-A	Small Urinal Mounting Hardware Kit (not shown)
<b>0319105</b>	SU5A	Urinal strainer assembly
<b>0319115</b>	SU13A	Standard urinal mounting hardware kit



## Hybrid & Waterfree Urinals



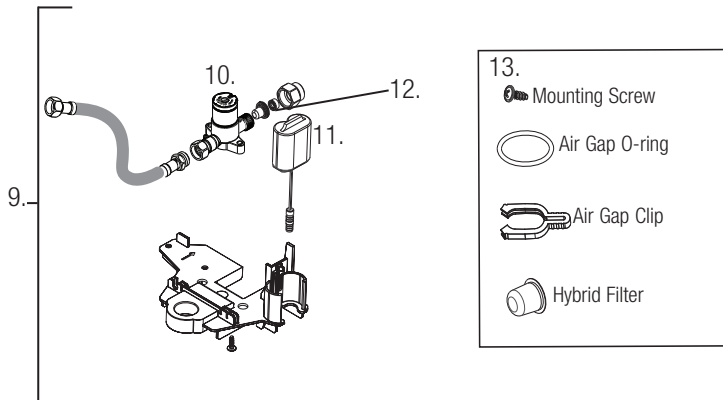
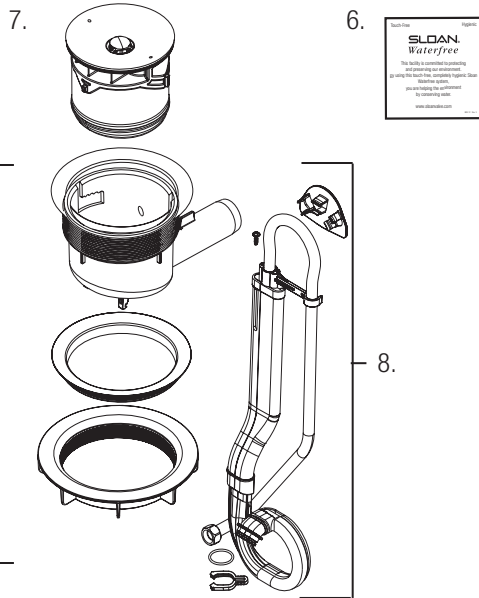
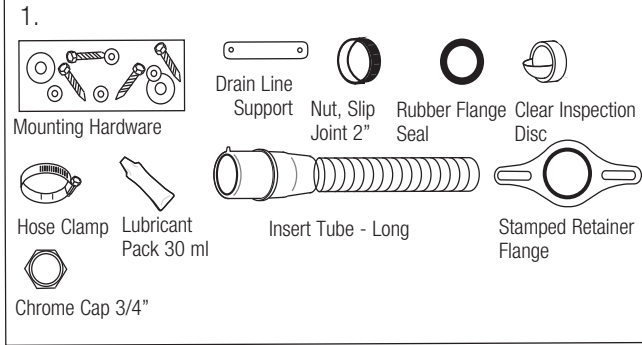
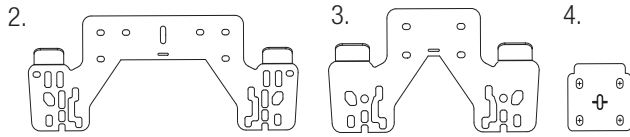
### HYBRID URINAL

Item			
No.	Code No.	Part No.	Description
1.	<b>1001020</b>	HYB-1000	Vitreous China Standard Hybrid Urinal (14" x 19 5/8" x 26 3/4")
2.	<b>1001021</b>	HYB-1000 RET	Vitreous China Retrofit Hybrid Urinal (14 3/8" x 16 5/8" x 26 3/4")
3.	<b>1004020</b>	HYB-4000	Vitreous China Hybrid Urinal (14" x 15 3/8" x 22 5/8")
4.	<b>1007020</b>	HYB-7000	Vitreous China Hybrid Urinal <b>DISCONTINUED</b> (14 5/8" x 12 3/4" x 21 7/8")

### WATERFREE URINALS

Item			
No.	Code No.	Part No.	Description
5.	<b>1001000</b>	WES-1000	Vitreous China Standard Waterfree Urinal (14 3/8" x 19 5/8" x 26 3/4")
6.	<b>1004000</b>	WES-4000	Vitreous China Small Waterfree Urinal (14" x 15 3/8" x 22 5/8")
7.	<b>1007000</b>	WES-7000	Vitreous China Designer Waterfree Urinal (DISCONTINUED) (14 5/8" x 12 3/4" x 21 7/8")

## Hybrid & Waterfree Urinals



### PARTS LIST—

Item			
No.	Code No.	Part No.	Description
1.	1001520	WES-20	Uni-Coupler II - Hardware Kit
2.	0372012	WES-34	Hanger Bracket-WES-1000 & HYB-1000
3.	0372022	WES-36	Hanger Bracket-WES-2000 & HYB-7000
4.	0372032	WES-38	Hanger Bracket-WES & HYB-4000, 5000 & WES-7000
5.	1001510	WES-10	Waterfree Housing Assembly
	0214500	HYB-1-A	Hybrid Housing Assembly
6.	10011521	WES-31	Waterfree Wall Plate
7.	1001500	WES-150	Universal Waterfree Urinal Cartridge
8.	0214502	HYB-3-A	Hybrid Air Gap Assembly
9.	0214501	HYB-2-A	Hybrid Base Plate Assembly
10.	0335001	EAF-2	Hybrid Solenoid
11.	0214504	HYB-5	Hybrid 6V Lithium Battery
12.	0335007	EAF-9	Hybrid Filter
13.	0214503	HYB-4-A	Hybrid Service Kit ( Mfg screw, air gap, o-ring & clip)

Not Shown: 1001504 SJS-20 Waterfree Cleaner (cleaner concentrate refill)  
 Not Shown: 1001503 SJS-19 Waterfree Starter Kit (32 oz. spray bottle & cleaner concentrate refill)  
 Not Shown: 0372001PK WES-1 3/4" water supply inlet cap  
 Not Shown: 0372002PK WES-2 1" water supply inlet cap  
 Not Shown: 1001502 WES-7 T-Bar Waterfree cartridge removal tool

### PRODUCT DESCRIPTION

Sloan Waterfree Urinals use no water which reduces germs and odor. This is because odor-causing germs and bacteria require water to live and to multiply.

Urine contains biosolids.

- For a water flushing urinal a very hard material called calcite forms in the p-trap and drain walls when urine mixes with water. Calcite causes clogs and requires a mechanical auger to remove.
- For a waterfree urinal a soft buttery substance known as struvite forms in urine in the absence of water. Struvite can form in drain lines over time, however, it is water soluble and only requires water to clean.

Sloan utilizes a patented cartridge assembly as the core of its waterfree urinal operation.

### HOW IT WORKS

1. The cartridge begins full of liquid with a layer of proprietary biodegradable sealant that floats on the surface.
2. Waste enters the cartridge and passes through this sealant which isolates foul odors from the restroom.
3. Flowing waste is slowed by internal baffles that help retain sealant and allows the uric sediment to settle.
4. Waste flows past an internal trap and exits the cartridge leaving some of the uric sediment behind.
5. The urine accelerates as it is funneled down to a flexible spout where it is redirected out of the housing and into the drain pipe.



Waterfree urinals require regular maintenance to prevent struvite formation from causing drain line blockages-cartridge change & line flushing.

Sloan hybrid urinals offer an automatic drain-rinsing feature that utilizes a controller and solenoid valve to inject water through housing and the lateral drain line.

## Hybrid & Waterfree Urinals

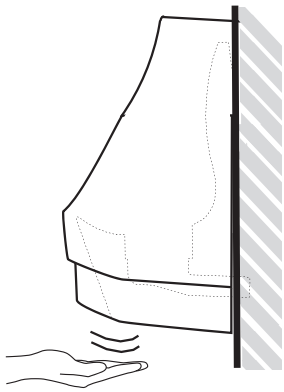
### OPERATION (Hybrid Urinals Only)

#### 1 AUTOMATIC OPERATION

After waterfree cartridge has been installed and the battery has been connected, the Hybrid Urinal will begin automatically activating about two times per week (every 72 hours from the time the battery is plugged in).

#### 2 MANUAL OPERATION

The Hybrid Urinal should always be manually activated during regular cartridge changes to confirm operation. To do this, wave your hand underneath the urinal within 2 inches to the sensor (see diagram below). You will hear a "CLICK" of the solenoid followed by approximately 10 seconds of rushing water, a three second pause and another 10 seconds of rushing water flowing through the housing and drain line.

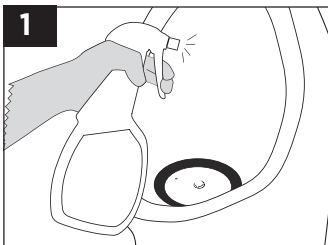


NOTE: After 2 manual activations in a row, there will be a 120 second delay before a third activation can be initiated.

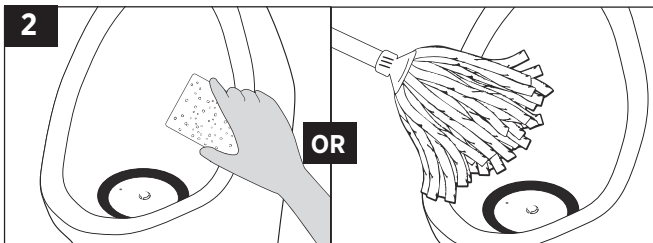
### CARTRIDGE REPLACEMENT

The urinal exterior should be cleaned nightly according to the instructions below.

#### URINAL BOWL CLEANING INSTRUCTIONS



Spray (mist) cleaner on entire bowl.



Clean outside and inside of bowl with rag or sponge. Clean outside and inside of bowl with mop.

## Hybrid & Waterfree Urinals

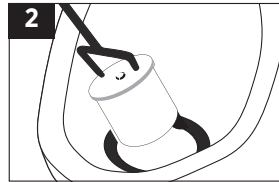
### CARTRIDGE REPLACEMENT

The cartridge should be changed according to the instructions below:

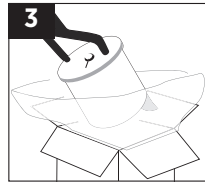
#### CHANGING THE CARTRIDGE



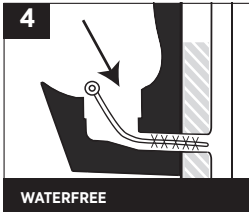
1 Insert Key into cartridge, turn key to left to unlock.



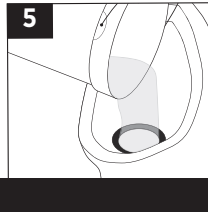
2 Lift and tilt cartridge to drain all free liquids (water, sealant and urine).



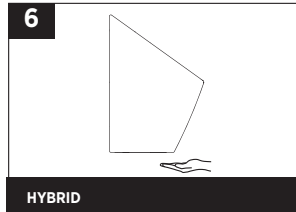
3 Place cartridge into bag, tie bag to seal and dispose.



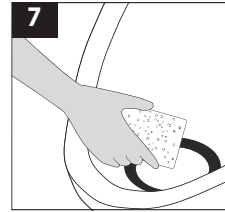
4 Scrub the housing and deep inside of the tail pipe with a long 1.5" diameter nylon brush.



5 Flush housing with 5 gallons (20 Liters) of hot soapy water.



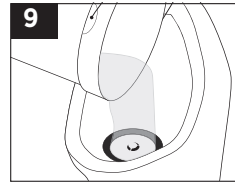
6 Hybrid Urinal Technology should be manually activated each time the cartridge is changed to confirm operation and determine if battery level is sufficient.



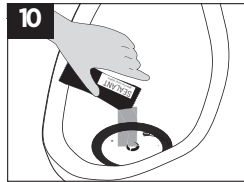
7 Wipe clean inner stainless steel rim.



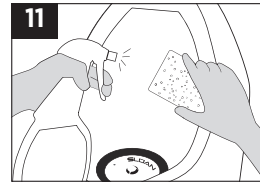
8 Insert new cartridge into housing and turn key to right to lock and click into place.



9 Slowly fill cartridge with 1 quart (1 Liter) or more of clean water until there are no more air bubbles.



10 Add blue sealant (allow time to drain into cartridge).



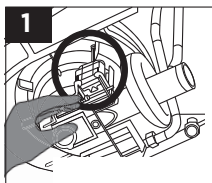
11 Spray (mist) cleaner and wipe clean.

### BATTERY REPLACEMENT (Hybrid Urinals Only)

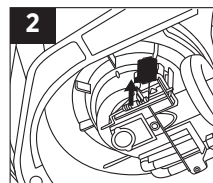
Your battery is a long-lasting lithium and should provide approximately 8 years of operation.

When the battery is low the solenoid will produce an audible chattering sound at the end of activation. This indicates that the battery should be replaced.

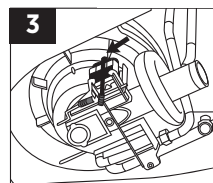
#### REPLACING THE BATTERY



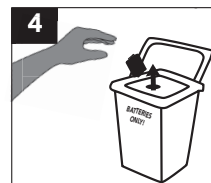
1 Reach underneath the urinal and locate the battery.



2 Remove the battery from the cradle.



3 Unclip the battery from wire and replace with fresh battery.



4 Properly dispose of lithium battery according to local codes.



5 After 1 minute the unit will be ready for operation. Swipe hand within 2 inches of sensor and visually inspect that water flows into housing, ensure cartridge is out of housing for inspection.

## Hybrid & Waterfree Urinals

### TROUBLESHOOTING

#### 1. URINE IS NOT DRAINING OR DRAINING SLOWLY

- Cartridge is full, replace with new cartridge according to instructions inside box.
- Cartridge is not fully locked into place. Sloan logo should be at the 12:00 position when facing the urinal. Use cartridge tool to rotate clockwise until fully seated.
- Improper drain line slope:
  - Tube-in-tube is not installed correctly. Remove urinal from wall and check that arrow tab on black rubber drain tube is at the 12:00 position. Rotate accordingly.
  - Drain line is not pitched correctly. Use standard mending plate to correct drain line pitch. NOTE: Adjustment and re-installation of the urinal hanger bracket may be required to allow the housing drain tail pipe to properly fit into drain line.
  - Housing and/or drain line is clogged. Scrub housing with nylon brush and flush with soapy water according to cartridge replacement instructions.

#### 2. URINE IS ON THE FLOOR/LEAKING

- The hose clamp on the drain is not tightened adequately. Tighten the hose clamp until leak stops.
- Housing is loose. (Hybrid Urinals only) Remove the screw on bottom of electronic board, unclip the electronic board from the bottom of the housing. Lower the electronic board down and out of the way. Unsnap the housing exit tube and use special tool to tighten housing.
- Housing is cracked, urinal bracket is too low placing load onto housing tail pipe inside drain.
  - Raise hanger bracket as necessary to provide concentric insertion of tail pipe into drain line.
  - Replace broken housing.
  - Reinstall urinal according to installation instructions ([www.sloanvalve.com](http://www.sloanvalve.com)).

#### 3. THERE IS A FOUL ODOR COMING FROM THE URINAL

- Cartridge sealant is not present. Dip a rolled up corner of paper towel into the opening at the top of the cartridge. If the paper towel comes out clean or without blue sealant, change the cartridge.
- Odor not coming from urinal. Check other sources of odor such as air vents, toilets, trash receptacles or floor drains. For an extensive list of alternate restroom odor sources please visit [www.sloanvalve.com](http://www.sloanvalve.com).
- The gear clamp on the drain is not tightened adequately. Tighten clamp.

#### 4. WATER IS ON FLOOR/LEAKING (Hybrid Urinals only)

- Loose supply stop connection. Tighten compression nut on hose.
- Loose 'loop' connection to housing. Check connections and tighten. Lubricate O-Ring at connection.
- Broken air gap assembly. Replace air gap assembly.

#### 5. URINAL DOES NOT DELIVER ANY WATER WHEN SENSOR IS ACTIVATED (Hybrid Urinals only)

INDICATOR: Solenoid valve produces audible "CLICK."

- Water supply stop(s) closed. Ensure water supply stop is open.
- Solenoid strainer clogged. Remove braided hose from solenoid, clean strainer and replace.

INDICATOR: Solenoid valve DOES NOT produce an audible "CLICK."

- Battery low. Replace battery (refer to Battery Replacement section).
- Electronic board assembly is defective. Replace board.

#### 6. URINAL DELIVERS ONLY A SLOW FLOW OR DRIBBLE WHEN SENSOR IS ACTIVATED (Hybrid Urinals only)

- Water supply stop is partially closed. Completely open water supply stop.
- Solenoid strainer is clogged. Remove braided hose from solenoid, clean strainer and replace.

#### 7. URINAL DOES NOT STOP DELIVERING WATER OR CONTINUES TO RUN AFTER ACTIVATION IS COMPLETE (Hybrid Urinals only)

- Urinal is not working properly:
  - Board needs to be reset. Turn off the water at the stop. Unplug battery. Wait 10 seconds and replace battery. Replace battery. After 1 minute unit should cycle properly.
  - If board reset does not work, contact Sloan Technical Support.

## Washdown Urinals

### TROUBLESHOOTING GUIDE

#### 1. Water DOES NOT shut off in urinal.

- A. Malfunctioning flushometer.  
Contact Sloan Technical Support at  
1-888-SLOAN-14 (1-888-756-2614).
- B. Supply pressure too low. Minimum flowing pressure must be 25 PSI.  
Adjust supply pressure.

#### 2. Water is leaking from edge of urinal on wall.

- A. Urinal is not properly mounted on wall. Tighten urinal mount nuts.
- B. Urinal is not properly mounted on wall. Replace wall gasket seal between wall and urinal.

#### 3. Urinal emits odor.

- A. Plugged vent line. Remove or clear obstruction in vent line.

#### 4. Poor or sluggish flush.

- A. Supply pressure too low. Water supply must be able to provide 18 gpm at 25 psi.
- B. Partially clogged trapway and/or drain pipe and/or vent. Remove or clear obstruction in vent line.

### IMPORTANT INFORMATION

1. **DO NOT USE** harsh or caustic chemicals such as drain opening types in this system. These products will damage the vitreous finish.
2. **DO NOT** permit foreign objects (i.e., paper towels, cigarette butts, etc.) to be flushed through the urinal.
3. The urinal must be regularly cleaned. See CARE AND CLEANING for details.

### CARE AND CLEANING

Sloan's urinals should be cleaned regularly for maximum sanitary and operational performance. As with any plumbing product consistency is important to achieve efficiency and general cleanliness. Before you begin to clean a urinal, gather all the needed materials including personal protection equipment, such as gloves and eyewear.

#### What You'll Need:

Goggles/safety glasses  
Brush  
Gloves  
Cleanser for inside the urinal  
Cleanser for outside the urinal  
Paper towels or cloth  
Urinal Screen:

Prior to cleaning, remove urinal screen. After cleaning place screen back in urinal or replace with new screen.

#### Inside Urinal:

Add your choice of powder, liquid or gel cleanser to the urinal\*. Try to apply the cleaner as close to the urinal surface as possible to prevent backsplash. Begin cleaning the urinal from the top down. Always begin scrubbing from the top of the urinal. Look under the rim to get all the stains and grime scrubbed away. Next scrub the urinal. Finally scrub the drain at the bottom of the urinal. Flush the urinal.

#### Outside Urinal:

Using a disinfectant/detergent cleaner, mixed either in a spray bottle or in a bucket (according to label instructions), spray or wipe down all the hard surfaces outside of the urinal paying close attention to high touch areas like the urinal edge and flushometer. **NOTE: DO NOT use abrasive or chemical cleaners (including chlorine) to clean flushometers that may dull the luster and attack the chrome or special decorative finishes. Use ONLY mild soap and water, then wipe dry with a clean towel or cloth. If cleaning the fixture with an abrasive or chemical cleaner protect the flushometer from any splattering of cleaner. Acids and cleaning fluids will discolor or remove the finish.**

The urinal edge rim should never be neglected. It is the part of the urinal that comes into actual contact with people, and it needs to be cleaned thoroughly. Spray inside the urinal and the rim of the urinal with cleanser. Wipe down the urinal.

#### Wipe Up Spills:

Wipe up any spills that may have splashed or occurred during cleaning.

#### Service Tip:

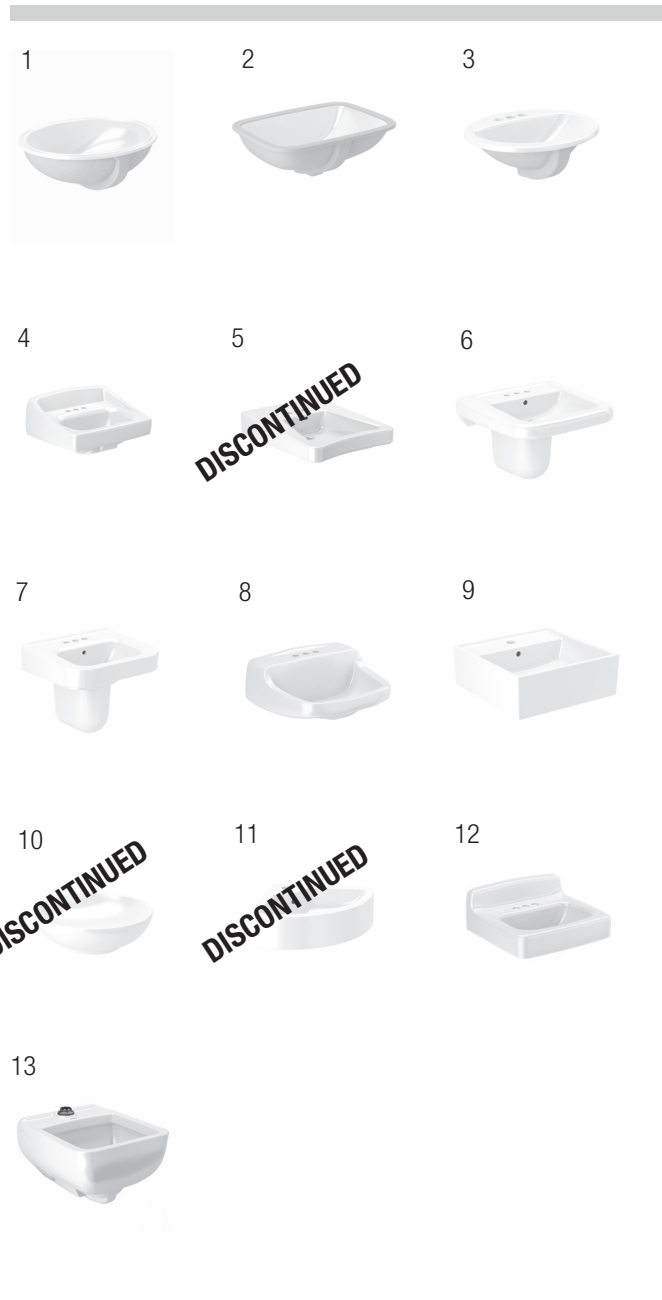
Checking for water leaks around toilet fixtures can be difficult to locate the source. Place paper towels around suspected area. It is best to start at the top of the fixture since gravity will cause the water leak to run downward.

**When assistance is required, please contact Sloan Technical Support at: 1-888-SLOAN-14 (1-888-756-2614).**

\*Consult your local janitorial supply to advise best cleansers to use for local water types. Always use cleaners according to their instructions.



## Vitreous China Lavatories



### WALL HUNG CAST IRON LAVATORY

12.	<b>3873017</b>	SS-3017	Sink 20" X 18" 4" CENTERSET
	<b>3873117</b>	SS-3117	Sink 20" X 18" SINGLE HOLE

### CLINIC SERVICE SINK

13.	<b>3873200</b>	SS-3200	Service Sink Wall Mounted 24 7/8" x 15 7/8" x 21"
-----	----------------	---------	------------------------------------------------------

### CERAMIC SHROUD

<b>0387678</b>	SS-27-A	Ceramic Lavatory Shroud for use with SS-3006 and SS-3065 series lavs only (shown in #6 & #7)
----------------	---------	----------------------------------------------------------------------------------------------

### CARE AND CLEANING

Clean lavatory with a cleaner safe for vitreous china. Spray and wipe clean using soft cloth. Soft abrasive cleaners may be used to remove stains.

### STANDARD UNDERMOUNT LAVATORY

Item No.	Code No.	Part No.	Description
1.	<b>3873001</b>	SS-3001	Oval Undermount Lavatory 19-1/2" x 17-1/2" outside, 17" x 14" Inside dimension
2.	<b>3873021</b>	SS-3021	Rectangular Undermount Lavatory 21-5/8" x 15-3/4" x 8-1/4"

### STANDARD DROP IN LAVATORY

3.	<b>3873002</b>	SS-3002	Standard Drop In Lavatory 20" x 16-3/4", 4" centerset
	<b>3823102</b>	SS-3102	Standard Drop In Lavatory 20" x 16-3/4", 1 Hole
	<b>3873802</b>	SS-3802	Standard Drop In Lavatory 20" x 16-3/4", 8" centerset

### STANDARD WALL HUNG LAVATORY

4.	<b>3873003</b>	SS-3003	Standard Wall Hung Lavatory 21" x 19-1/4" with 4" Backsplash, 4" centerset
	<b>3873103</b>	SS-3103	Standard Wall Hung Lavatory 21" x 19-1/4" with 4" Backsplash, 1 Hole
	<b>3873803</b>	SS-3803	Standard Wall Hung Lavatory 21" x 19-1/4" with 4" Backsplash, 8" centerset

### ADA WHEELCHAIR WALL HUNG LAVATORY

5.	<b>3873004</b>	SS-3004	ADA Wheelchair Wall Hung Lavatory 20" X 27", 4" centerset <b>DISCONTINUED</b>
	<b>3873104</b>	SS-3104	ADA Wheelchair Wall Hung Lavatory 20" X 27", 1 Hole <b>DISCONTINUED</b>
	<b>3873804</b>	SS-3804	ADA Wheelchair Wall Hung Lavatory 20" X 27", 8" centerset <b>DISCONTINUED</b>

### ADA LEDGEBACK WALL HUNG LAVATORY (SHROUD OPTIONAL)

6.	<b>3873065</b>	SS-3065	ADA Ledgeback Wall Hung Lavatory 21" x 20", 4" centerset
	<b>3873165</b>	SS-3165	ADA Ledgeback Wall Hung Lavatory 21" x 20", 1 Hole
	<b>3873865</b>	SS-3865	ADA Ledgeback Wall Hung Lavatory 21" x 20", 8" centerset

### LEDGEBACK WALL HUNG LAVATORY (SHROUD OPTIONAL)

7.	<b>3873006</b>	SS-3006	Wall Hung Lavatory 20" x 18-1/4", 4" centerset
	<b>3873506</b>	SS-3506	Wall Hung Lavatory RH soap hole 20" x 18-1/4", 4" centerset
	<b>3873406</b>	SS-3406	Wall Hung Lavatory LH soap hole 20" x 18-1/4", 4" centerset
	<b>3873106</b>	SS-3106	Wall Hung Lavatory 20" x 18-1/4", 1 Hole
	<b>3873206</b>	SS-3206	Wall Hung Lavatory LH soap hole 20" x 18-1/4", 1 Hole
	<b>3873306</b>	SS-3306	Wall Hung Lavatory RH soap hole 20" x 18-1/4", 1 Hole
	<b>3873806</b>	SS-3806	Wall Hung Lavatory 20" x 18-1/4", 8" centerset
8.	<b>3873055</b>	SS-3055	Wall Hung Lavatory 19" x 17" 4" Centerset

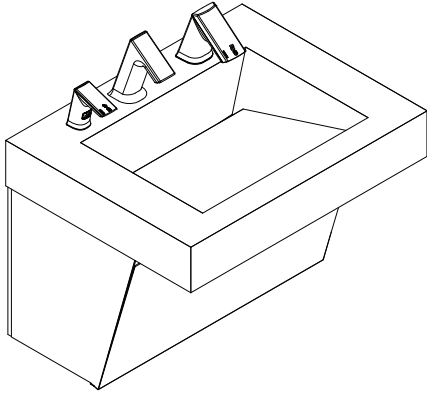
### VESSEL LAVATORY

9.	<b>3873026</b>	SS-3026	Square Vessel Lavatory 18-1/2" x 18-1/2" x 6-3/4" Single Hole
10.	<b>3873036</b>	SS-3036	Round Vessel Lavatory <b>DISCONTINUED</b> 15-3/4" x 5-1/2" Rear Overflow

### WALL HUNG CORNER LAVATORY

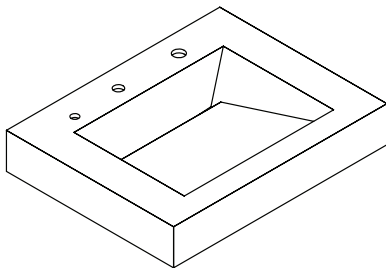
11.	<b>3873145</b>	SS-3145	Wall Hung Corner Lavatory <b>DISCONTINUED</b> 16-1/2" x 15" x 6" Single Hole
-----	----------------	---------	---------------------------------------------------------------------------------

**AER-DEC® 81000/82000/83000/84000  
INTEGRATED SINK SYSTEM**

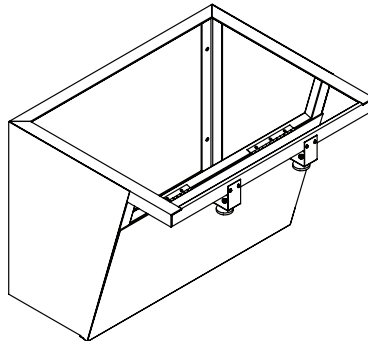


**AD-81000**  
Deck Sink Lavatory System

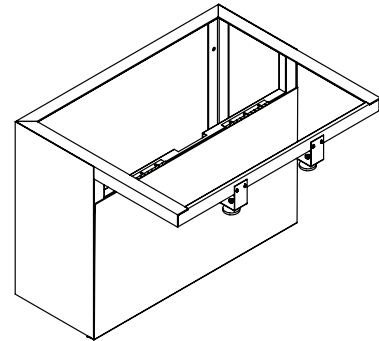
**1 Station Components**



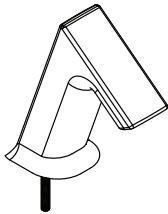
1) AD-81000 Deck



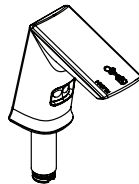
2a) Angled Enclosure



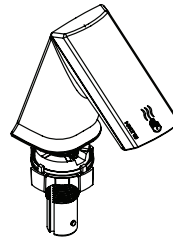
2b) Vertical Enclosure



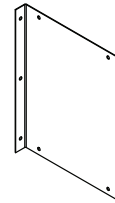
3) EFX Series Faucet



4) ESD 500 Soap Dispenser



5) Basys Style Hand Dryer



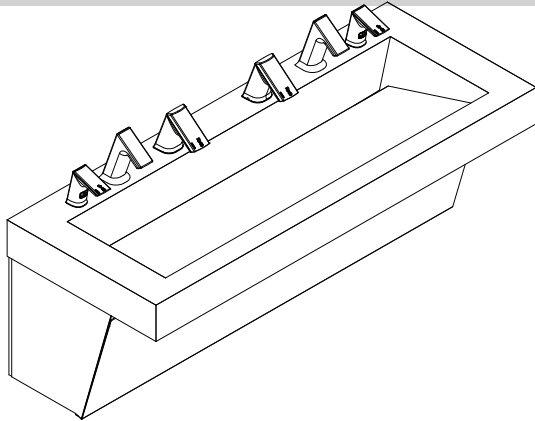
6) Hand Dryer Bracket  
(Vertical Enclosure Only)

**AER-DEC® One Station Component List**

Description	Item Number	Quantity
AER-DEC®, One Station, Integrated Deck	1	1
Angled Enclosure with Hold Open Door	2a	1
Vertical Enclosure with Hold Open Door	2b	1
EFX Series Faucet	3	1
Basys Style ESD 500 Soap Dispenser	4	1
Basys Style Hand Dryer	5	1
Hand Dryer Bracket	6	1

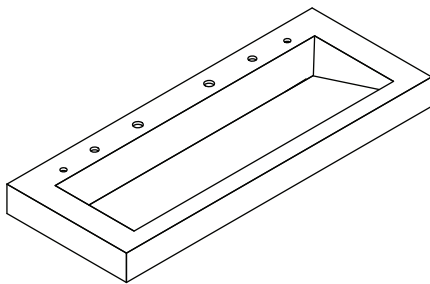
**Note:** Hand Dryer Motor must be rotated 90° for installation into a standard vertical enclosure.

**AER-DEC® 81000/82000/83000/84000  
INTEGRATED SINK SYSTEM**

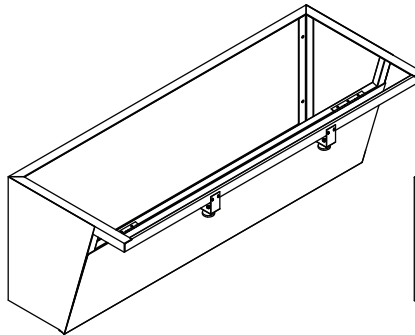


**AD-82000**  
Deck Sink Lavatory System

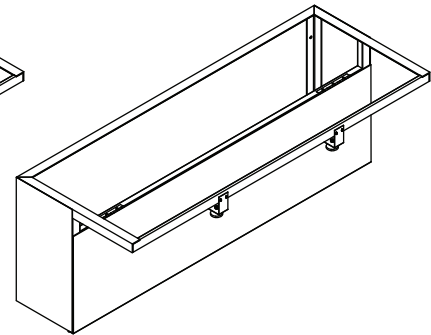
**2 Station Components**



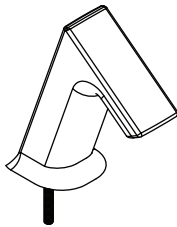
1) AD-82000 Deck



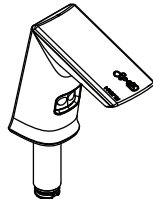
2a) Angled Enclosure



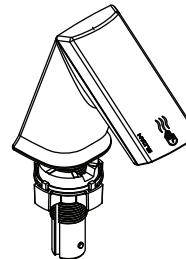
2b) Vertical Enclosure



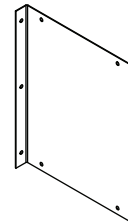
3) EFX Series Faucet



4) ESD 500 Soap Dispenser



5) Basys Style Hand Dryer



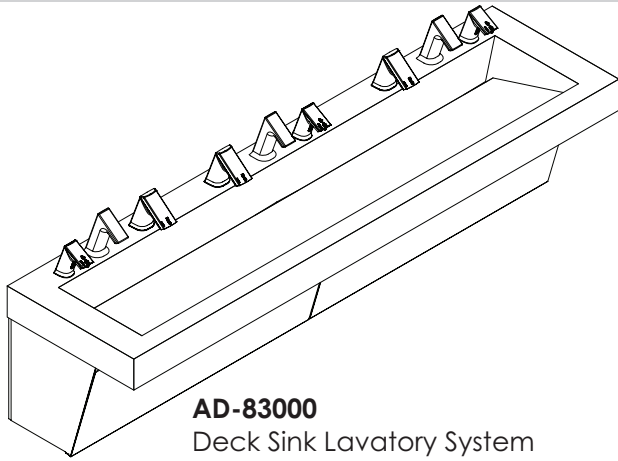
6) Hand Dryer Bracket  
(Vertical Enclosure Only)

**AER-DEC® Two Station Component List**

Description	Item Number	Quantity
AER-DEC®, Two Station, Integrated Deck	1	1
Angled Enclosure with Hold Open Door	2a	1
Vertical Enclosure with Hold Open Door	2b	1
EFX Series Faucet	3	2
Basys Style ESD 500 Soap Dispenser	4	2
Basys Style Hand Dryer	5	2
Hand Dryer Bracket	6	2

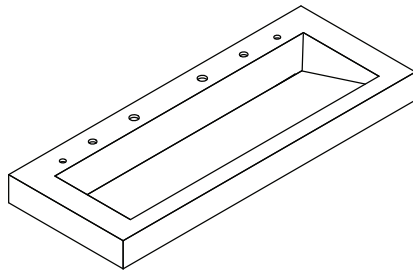
**Note:** Hand Dryer Motor must be rotated 90° for installation into a standard vertical enclosure.

**AER-DEC® 81000/82000/83000/84000**  
**INTEGRATED SINK SYSTEM**

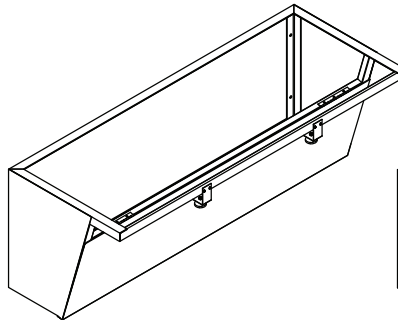


**AD-83000**  
 Deck Sink Lavatory System

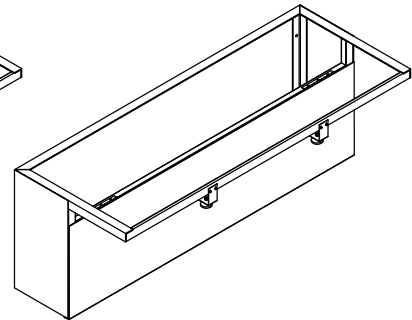
**3 Station Components**



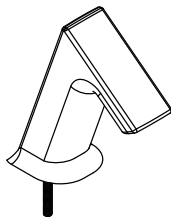
1) AD-82000 Deck



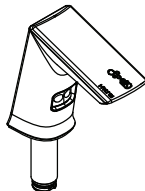
2a) Angled Enclosure



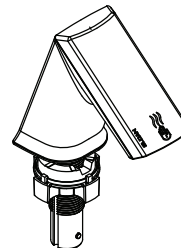
2b) Vertical Enclosure



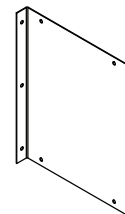
3) EFX Series Faucet



4) ESD 500 Soap Dispenser



5) Basys Style Hand Dryer



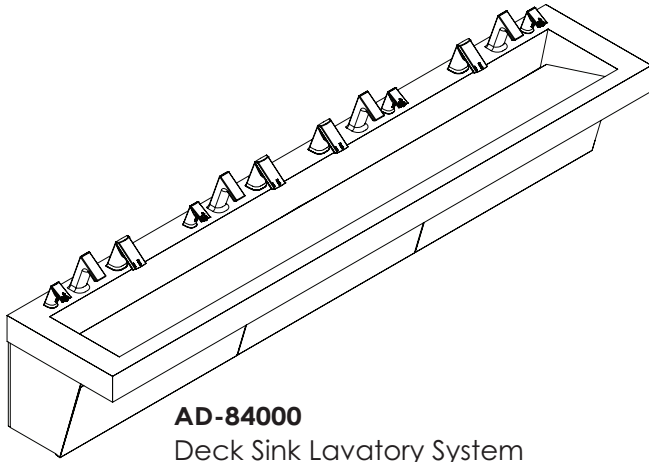
6) Hand Dryer Bracket  
 (Vertical Enclosure Only)

**AER-DEC® Two Station Component List**

Description	Item Number	Quantity
AER-DEC®, Two Station, Integrated Deck	1	1
Angled Enclosure with Hold Open Door	2a	1
Vertical Enclosure with Hold Open Door	2b	1
EFX Series Faucet	3	2
Basys Style ESD 500 Soap Dispenser	4	2
Basys Style Hand Dryer	5	2
Hand Dryer Bracket	6	2

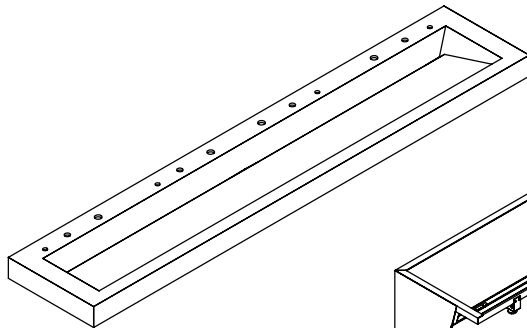
**Note:** Hand Dryer Motor must be rotated 90° for installation into a standard vertical enclosure.

**AER-DEC® 81000/82000/83000/84000  
INTEGRATED SINK SYSTEM**

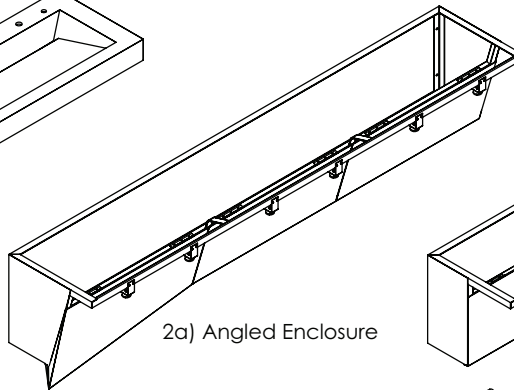


**AD-84000**  
Deck Sink Lavatory System

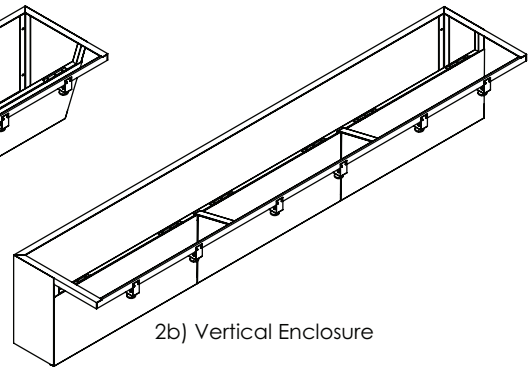
**4 Station Components**



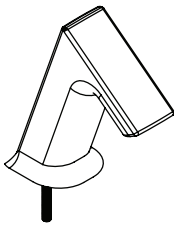
1) AD-83000 Deck



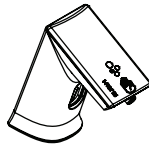
2a) Angled Enclosure



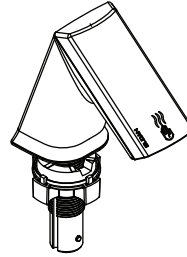
2b) Vertical Enclosure



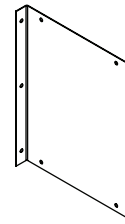
3) EFX Series Faucet



4) ESD 400 Soap Dispenser



5) Basys Style Hand Dryer



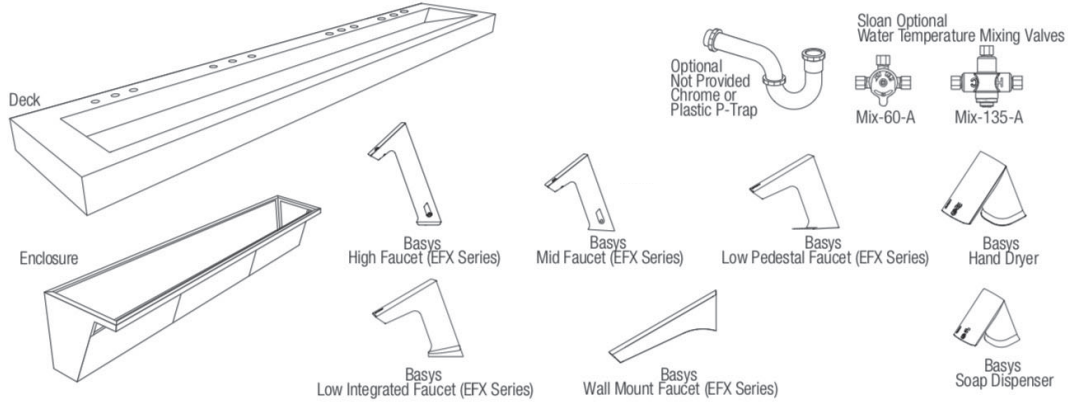
6) Hand Dryer Bracket  
(Vertical Enclosure Only)

<b>AER-DEC® Four Station Component List</b>		
<b>Description</b>	<b>Item Number</b>	<b>Quantity</b>
AER-DEC®, Four Station, Integrated Deck	1	1
Angled Enclosure with Hold Open Door	2a	1
Vertical Enclosure with Hold Open Door	2b	1
EFX Series Faucet	3	4
Basys Style ESD 500 Soap Dispenser	4	4
Basys Style Hand Dryer	5	4
Hand Dryer Bracket	6	4
<b>Note:</b> Hand Dryer Motor must be rotated 90° for installation into a standard vertical enclosure.		

**AER-DEC® 81000/82000/83000/84000**

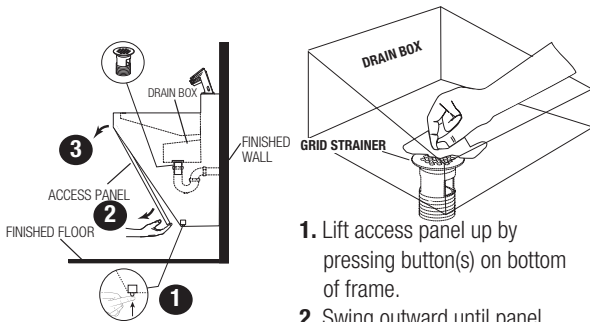
**INTEGRATED SINK SYSTEM**

**4 Station Components**



**CLEANING AND MAINTENANCE**

**REGULAR CLEANING OF DRAIN BOX REQUIRED (if app.)**

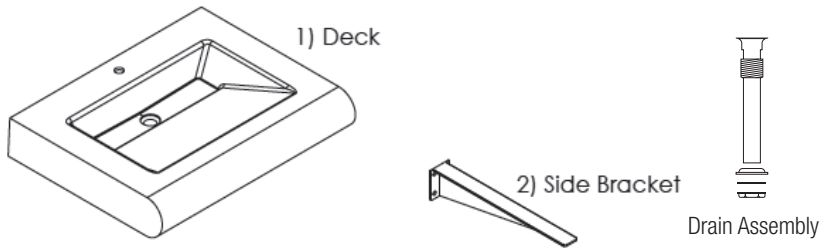


1. Lift access panel up by pressing button(s) on bottom of frame.
2. Swing outward until panel separates frame.
3. Lift and separate from frame.
4. Clean the box and the grid strainer with a rag and disinfectant containing bleach and dispose of properly.
5. Close access panel.

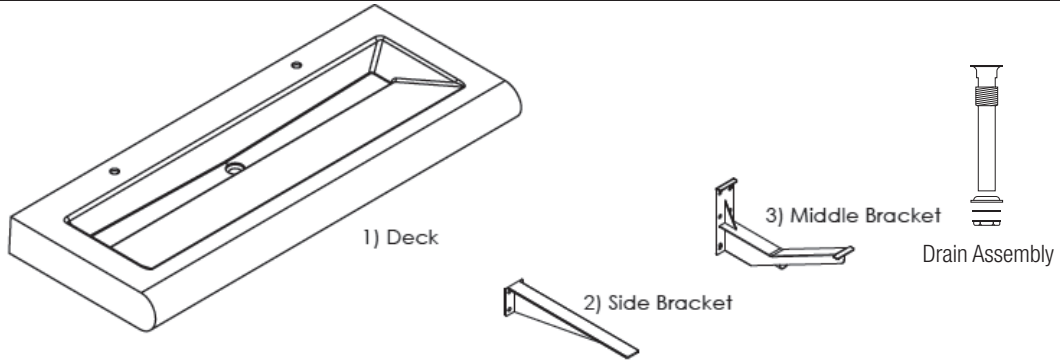


# SloanStone® ELRF-80000 Sink

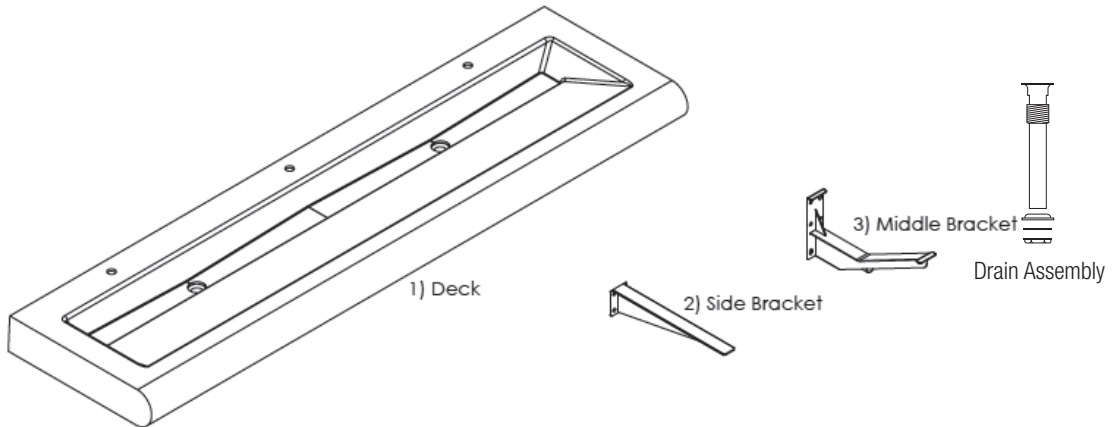
## 1 Station Components



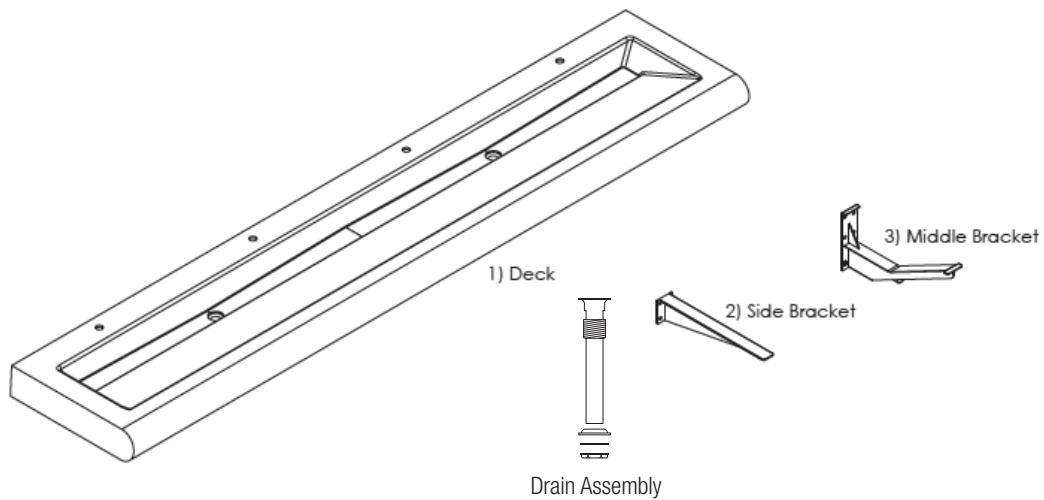
## 2 Station Components



## 3 Station Components



## 4 Station Components



---

**SloanStone® ELRF-80000 Sink**

---

---

**CARE & CLEANING**

---

**SloanStone® Solid Surface Care**

For normal cleaning, use warm, soapy water or conventional ammonia based liquid glass cleaner.

For dry stains, allow the soapy water or glass cleaner some time to remoisturize the area, then wipe the stain off.

To renew the surface after deep scratches or stains, use green, then maroon, and finally white 3M Scotch-Brite® pads to return the deck to a smooth 1200 grit wet-sanded finish.

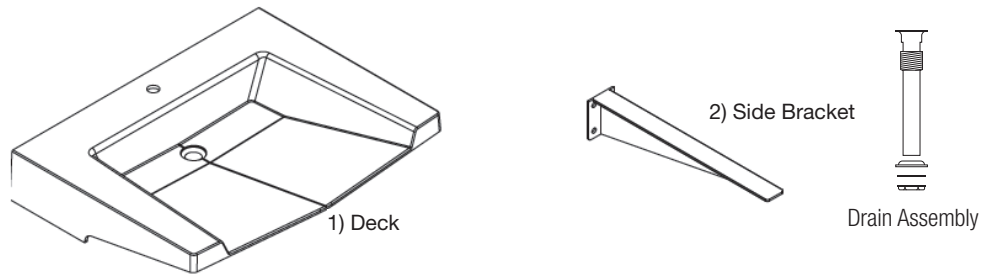
If the dry stain is neither water-based nor oil-based, gently scrape the stain off with a plastic material (i.e. a plastic knife), and then proceed with the aforementioned normal cleaning procedures.

Wipe the entire surface evenly with a mild abrasive cleanser for regular maintenance.

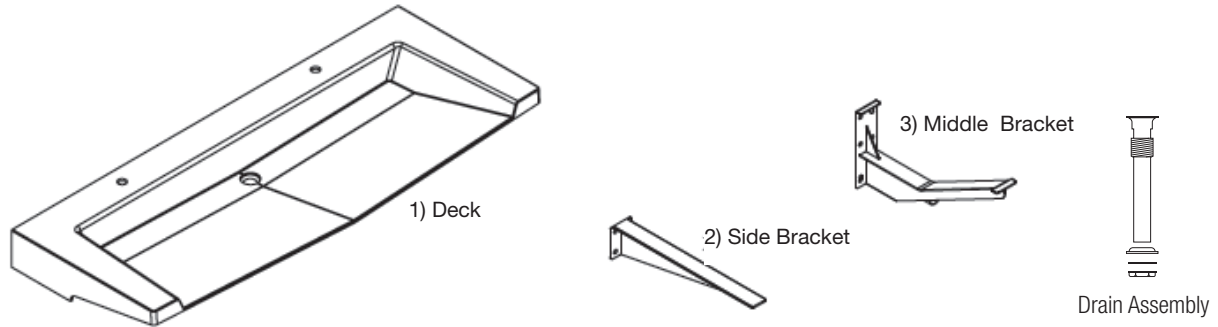
**When assistance is required, please contact  
Sloan Technical Support at: 1-888-SLOAN-14 (1-888-756-2614).**

SloanStone® ELA-80000 Sink

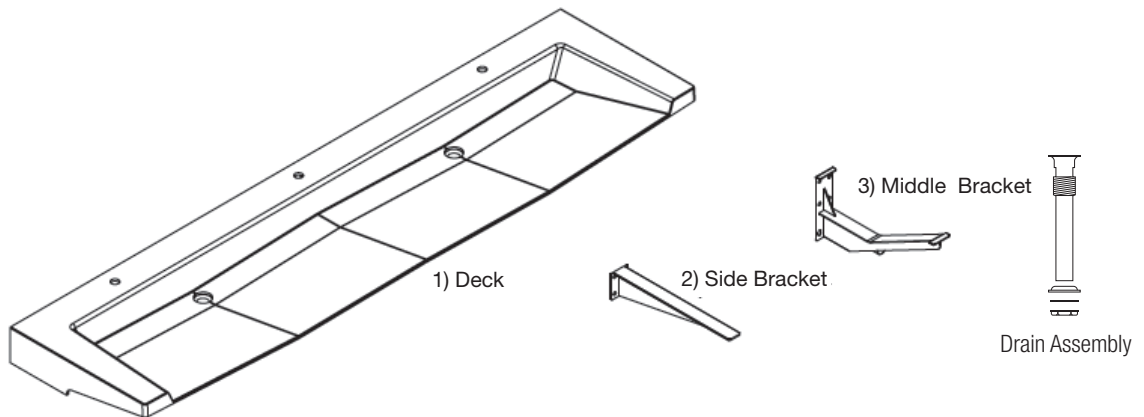
1 Station Components



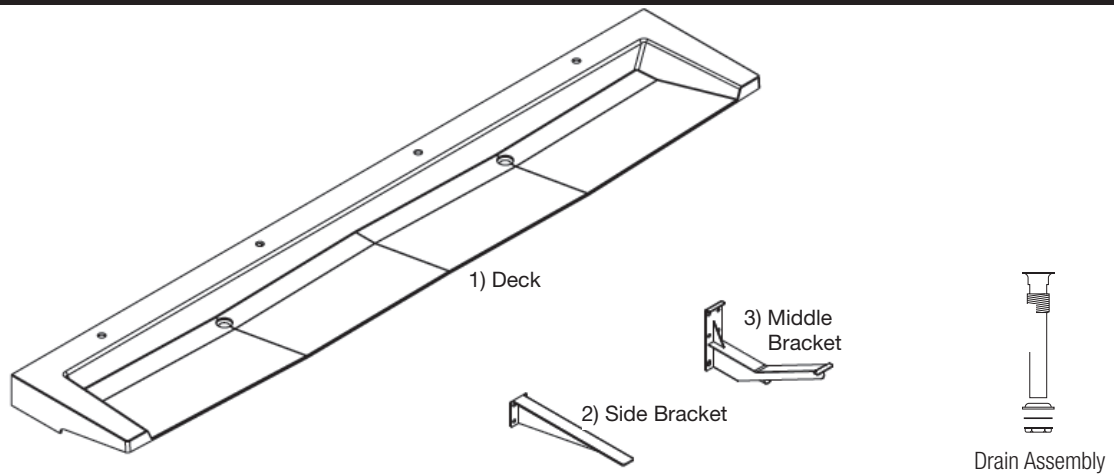
2 Station Components



3 Station Components



4 Station Components



---

**SloanStone® ELA-80000 Sink**

---

---

**CARE & CLEANING**

---

**SloanStone® Solid Surface Care**

For normal cleaning, use warm, soapy water or conventional ammonia based liquid glass cleaner.

For dry stains, allow the soapy water or glass cleaner some time to remoisturize the area, then wipe the stain off.

To renew the surface after deep scratches or stains, use green, then maroon, and finally white 3M Scotch-Brite® pads to return the deck to a smooth 1200 grit wet-sanded finish.

If the dry stain is neither water-based nor oil-based, gently scrape the stain off with a plastic material (i.e. a plastic knife), and then proceed with the aforementioned normal cleaning procedures.

Wipe the entire surface evenly with a mild abrasive cleanser for regular maintenance.

**When assistance is required, please contact  
Sloan Technical Support at: 1-888-SLOAN-14 (1-888-756-2614).**

---

**SloanStone® ELWF-80000 Sink**

---

---

**CARE & CLEANING**

---

**SloanStone® Solid Surface Care**

For normal cleaning, use warm, soapy water or conventional ammonia based liquid glass cleaner.

For dry stains, allow the soapy water or glass cleaner some time to remoisturize the area, then wipe the stain off.

To renew the surface after deep scratches or stains, use green, then maroon, and finally white 3M Scotch-Brite® pads to return the deck to a smooth 1200 grit wet-sanded finish.

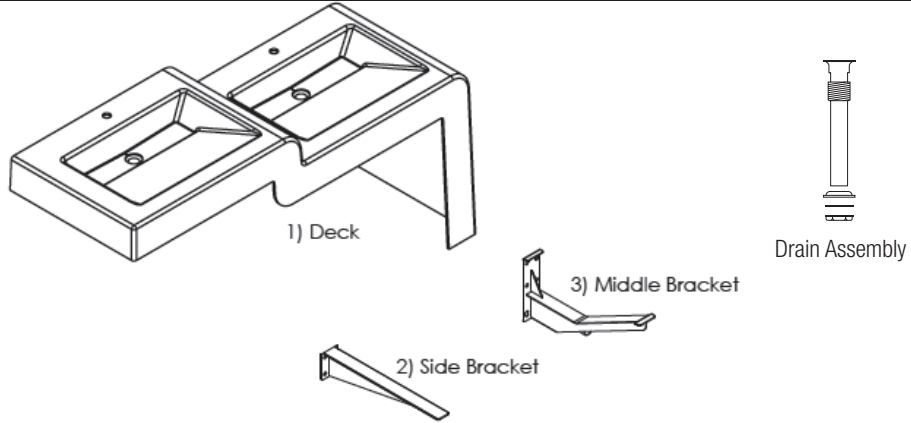
If the dry stain is neither water-based nor oil-based, gently scrape the stain off with a plastic material (i.e. a plastic knife), and then proceed with the aforementioned normal cleaning procedures.

Wipe the entire surface evenly with a mild abrasive cleanser for regular maintenance.

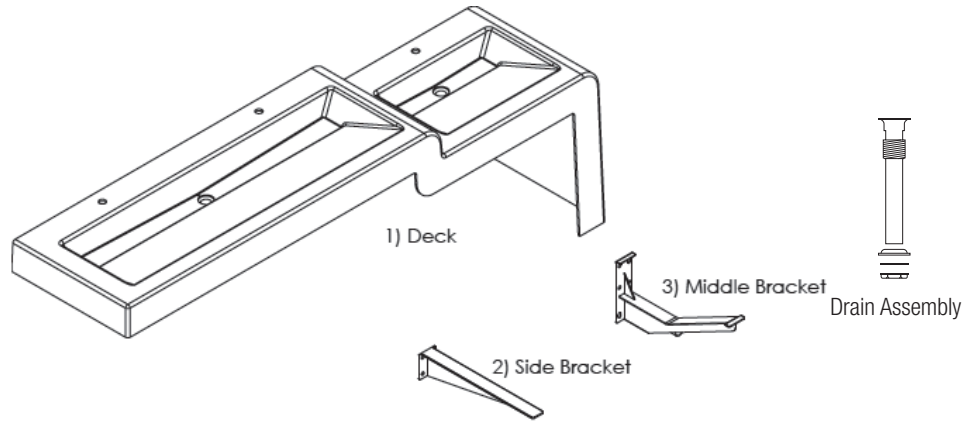
**When assistance is required, please contact  
Sloan Technical Support at: 1-888-SLOAN-14 (1-888-756-2614).**

SloanStone® ELWF-80000 Sink

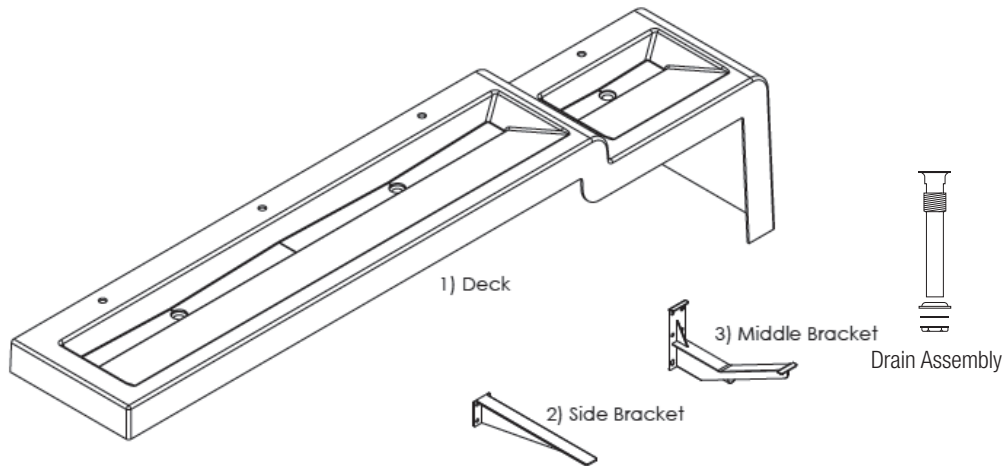
2 Station Components



3 Station Components



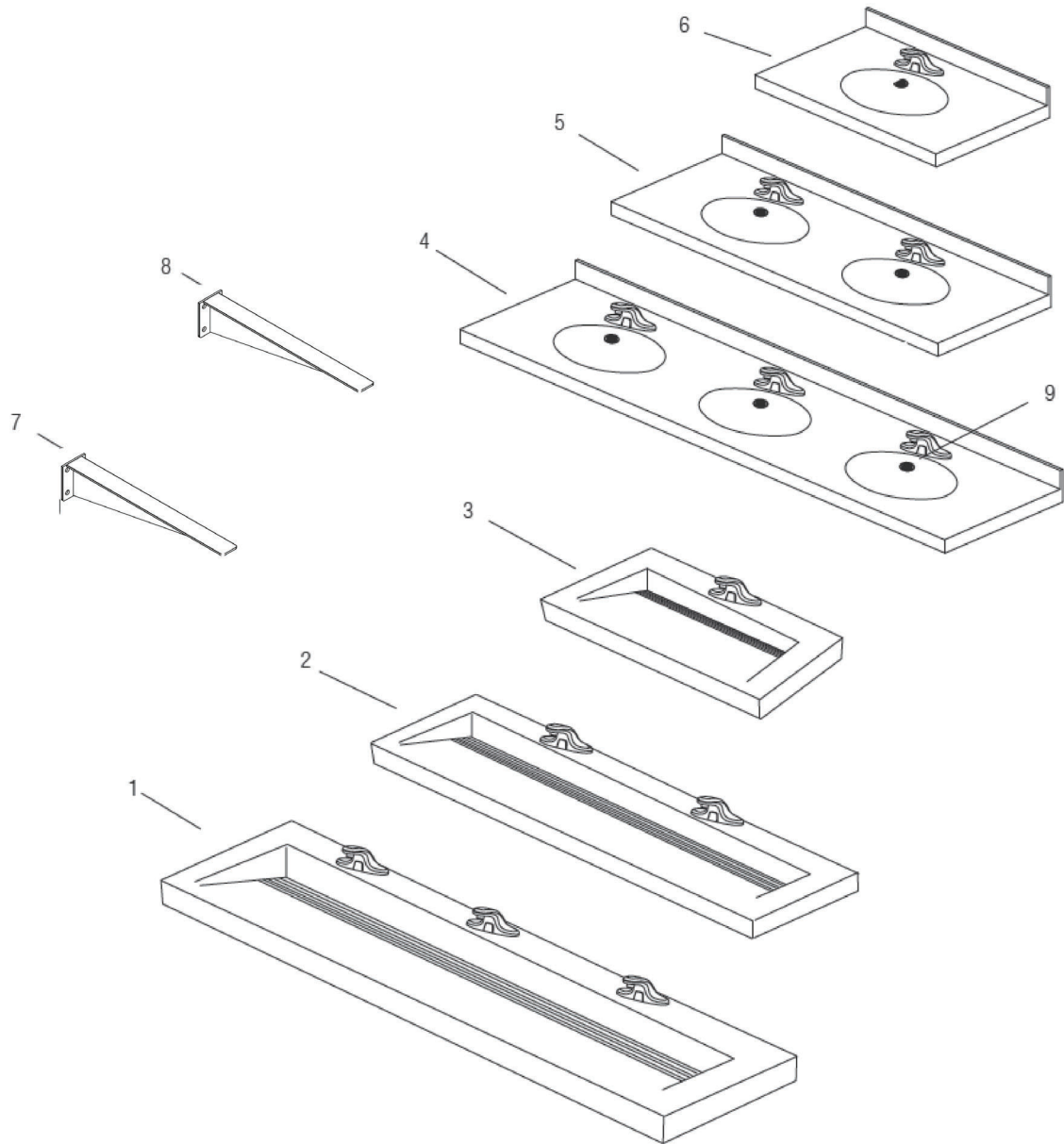
4 Station Components





**Designers Series™**

**DSWD-80000 and DSCT-80000 Sinks**



Item No.	Description
1.	DSWD-81000 Wier Deck (triple)
2.	DSWD-82000 Wier Deck (double)
3.	DSWD-83000 Wier Deck (single)
4.	DSCT-83000 Counter Top (triple)
5.	DSCT-82000 Counter Top (double)
6.	DSCT-81000 Counter Top (single)
7.	ELB-3 Right Mounting Bracket (optional/not supplied)
8.	ELB-4 Left Mounting Bracket (optional/not supplied)
9.	ETF-460-A Grid Strainer Assembly
-	Sloan Faucet (model varies/not shown)

## Designers Series™

## DSWD-80000 and DSCT-80000 Sinks

## TROUBLESHOOTING GUIDE

Refer to appropriate faucet pages in Maintenance Guide.

### 1. No water flows when sensor is activated

Ensure that main power supply is turned "ON." Check receptacle, transformer, batteries (battery powered models), solenoid, leads and connections.

INDICATOR: If Sensor LED does not blink:

- A. Control module circuit board is faulty; replace.
- B. Sensor is faulty; replace sensor module.

INDICATOR: If Sensor LED blinks when user is sensed:

- A. Supply Stop(s) may be closed; open Supply Stop(s).
- B. Debris may be in Solenoid filter; remove, clean and reinstall.

### 2. Very low flow or slow dribble

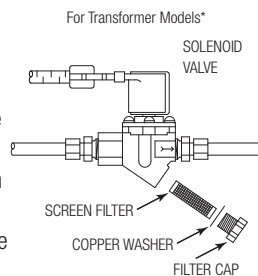
- A. Supply Stop(s) may be closed; open Supply Stop(s).
- B. Debris is in solenoid, won't close properly; remove operator and clean. Reassemble in the same manner.
- C. Debris may be in Solenoid filter; remove, clean and reinstall.
- D. Debris is in aerator; remove, clean and reinstall.

### 3. Continues to run (even after power to faucet has been disconnected)

- A. Solenoid valve is installed backwards; install correctly.
- B. Debris is in solenoid, won't close properly; remove operator and clean. Reassemble in the same manner.

### Solenoid Screen Filter Cleaning

- A. Before cleaning the Screen Filter, turn off the water supply at supply stop(s).
- B. Activate the Faucet to relieve any pressure in the system.
- C. Unscrew the Filter Cap and remove it from the Solenoid Valve Housing.
- D. Carefully remove the Screen Filter from the Solenoid Valve Housing.
- E. Clean the Screen Filter using fresh tap water only. If necessary, use a small brush to clean. Use caution while cleaning to prevent damage to Screen Filter.
- F. Examine the Copper Washer or O-ring for wear or damage; replace if necessary. Carefully replace the Screen Filter into Filter Cap. Screw the Filter Cap with Copper Washer or O-ring into Solenoid Valve Housing and tighten securely to prevent leaks.
- G. Turn on the water supply at the supply stop(s). Activate the Faucet to purge any air from the system lines. Check for leaks and repair as necessary.



**Material Description:** Corian Material is made from a blend of acrylic modified bio-based polyester resin. Engineered Stone is 90% natural quartz and polyester resin and is resistant to chemicals, stains, burns and impact. Surface damage can be easily repaired with everyday cleansers or fine grit abrasives.

**Routine Cleaning:** For regular cleaning, use standard commercial or household products such as Simple Green®, Creamy Cleanser brand, Formula 409® or Windex®.

**Stubborn Stains:** Remove tough stains, with non abrasive cleaners and pads such as a white Scotch Brite® pad and Lysol®. Special Situations for Corian and Engineered Stone

**Hard Water Deposits:** Remove hard water deposits with a mild solution of vinegar and water. Always rinse the unit thoroughly after cleaning.

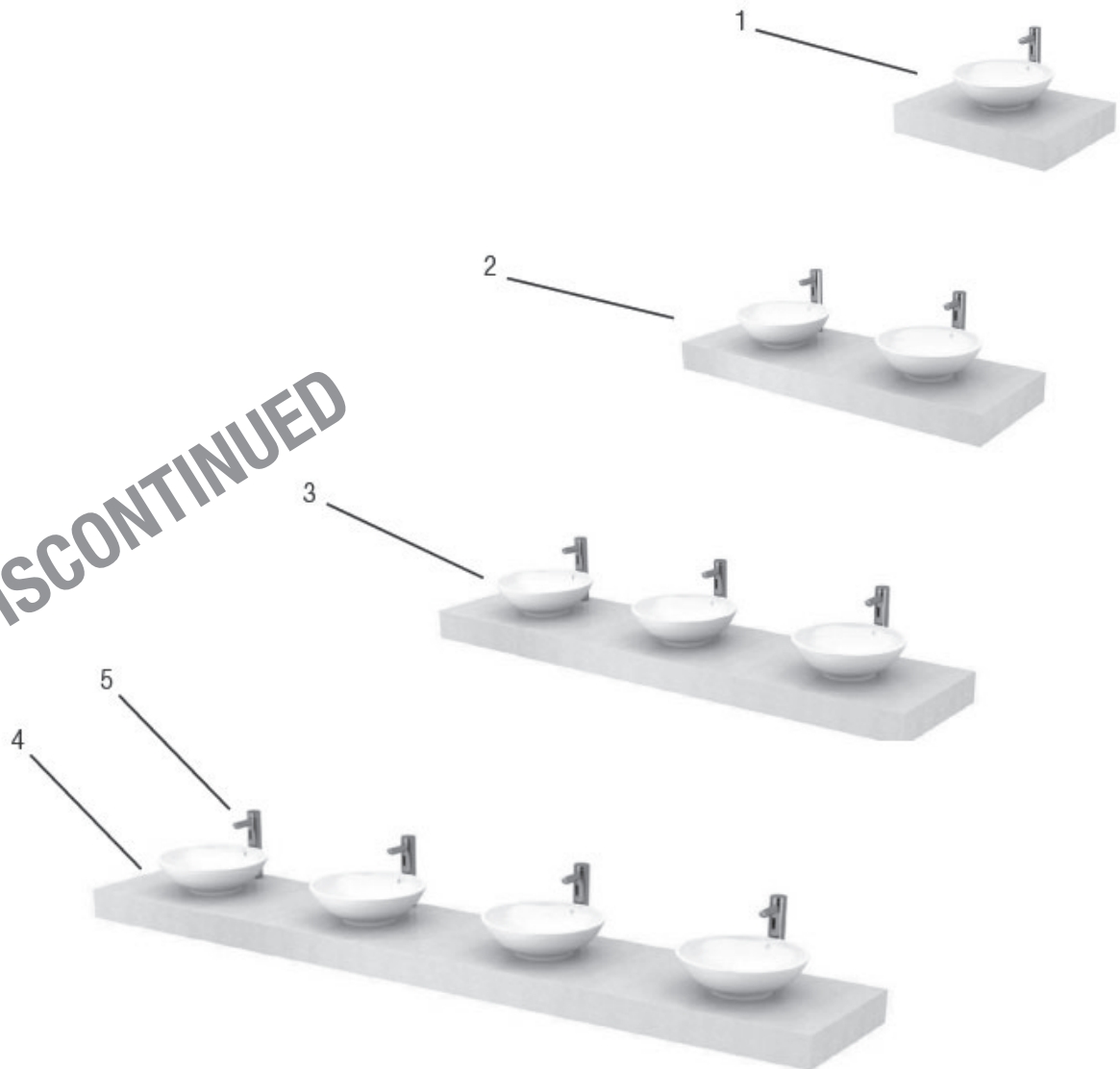
**Repair Kits:** Corian repair kits are available. Contact your Sloan Stone Sink Systems representative or distributor for part numbers and pricing. Repair kits are made to order and have a shelf life of 30 days. Engineered Stone shades of color can vary from product to product.

### BRAND NAMES

Use of brand names is intended only to indicate a type of cleaner. This does not constitute an endorsement, nor does the omission of any brand name cleaner imply inadequacy. Many products named are regional in distribution, and can be found in local supermarkets, department and hardware stores, or through your cleaning service. It is emphasized that all products should be used in strict accordance with package instructions.

**Designer Series™ DSVR-80000 Sink  
Discontinued**

**DISCONTINUED**



Item No.	Description
1	DSVR-81000 Deck (single)
2	DSVR-82000 Deck (double)
3	DSVR-83000 Deck (triple)
4	DSVR-84000 Deck (quadruple)
5	Sloan Faucet (model varies)
6	Grid Strainer Assembly (not shown)

## Designer Series™ DSVR-80000 Sink Discontinued

### TROUBLESHOOTING GUIDE

**Material Description:** Corian Material is made from a blend of acrylic modified bio-based polyester resin. Engineered Stone is 90% natural quartz and polyester resin and is resistant to chemicals, stains, burns and impact. Surface damage can be easily repaired with everyday cleansers or fine grit abrasives.

**Routine Cleaning:** For regular cleaning, use standard commercial or household products such as Simple Green®, Creamy Cleanser brand, Formula 409® or Windex®.

**Stubborn Stains:** Remove tough stains, with non abrasive cleaners and pads such as a white Scotch Brite® pad and Lysol®. Special Situations for Corian and Engineered Stone

**Hard Water Deposits:** Remove hard water deposits with a mild solution of vinegar and water. Always rinse the unit thoroughly after cleaning.

**Repair Kits:** Corian repair kits are available. Contact your Sloan Stone Sink Systems representative or distributor for part numbers and pricing. Repair kits are made to order and have a shelf life of 30 days. Engineered Stone shades of color can vary from product to product.

### BRAND NAMES

Use of brand names is intended only to indicate a type of cleaner. This does not constitute an endorsement, nor does the omission of any brand name cleaner imply inadequacy. Many products named are regional in distribution, and can be found in local supermarkets, department and hardware stores, or through your cleaning service. It is emphasized that all products should be used in strict accordance with package instructions.

**Refer to appropriate faucet pages in Maintenance Guide.**

#### 1. No water flows when sensor is activated

Ensure that main power supply is turned "ON." Check receptacle, transformer, batteries (battery powered models), solenoid, leads and connections.

INDICATOR: If Sensor LED does not blink:

A. Control module circuit board is faulty; replace.

B. Sensor is faulty; replace sensor module.

INDICATOR: If Sensor LED blinks when user is sensed:

A. Supply Stop(s) may be closed; open Supply Stop(s).

B. Debris may be in Solenoid filter; remove, clean and reinstall.

#### 2. Very low flow or slow dribble

A. Supply Stop(s) may be closed; open Supply Stop(s).

B. Debris is in solenoid, won't close properly; remove operator and clean. Reassemble in the same manner.

C. Debris may be in Solenoid filter; remove, clean and reinstall.

D. Debris is in aerator; remove, clean and reinstall.

#### 3. Continues to run (even after power to faucet has been disconnected)

A. Solenoid valve is installed backwards; install correctly.

B. Debris is in solenoid, won't close properly; remove operator and clean. Reassemble in the same manner.

DISCONTINUED

## SloanStone® EWF-40000 Sink



### EW-42000, EW-43000 AND EW-44000 PARTS

Item No.	Code No.	Part No.	Description
1A.	—	—	Actuator Housing Assembly Cover (double station)
1B.	—	—	Actuator Housing Assembly Cover (triple station)
1C.	—	—	Actuator Housing Assembly Cover (quadruple station)
2.	—	—	Sensor
3A.	—	—	Actuator Housing Assembly (double station)
3B.	—	—	Actuator Housing Assembly (triple station)
3C.	—	—	Actuator Housing Assembly (quadruple station)
4.	—	—	Spray Head
5.	—	—	Strainer
6.	—	—	1½" Drain Spud
7A.	—	—	Solid Surface Basin (double station)
7B.	—	—	Solid Surface Basin (triple station)
7C.	—	—	Solid Surface Basin (quadruple station)
8.	—	—	Washer
9.	—	—	Locknut
10A.	—	—	Pedestal (double station)
10B.	—	—	Pedestal (triple station)
10C.	—	—	Pedestal (quadruple station)
11A.	—	—	Solid Surface Access Cover (double station)
11B.	—	—	Solid Surface Access Cover (triple station)
11C.	—	—	Solid Surface Access Cover (quadruple station)

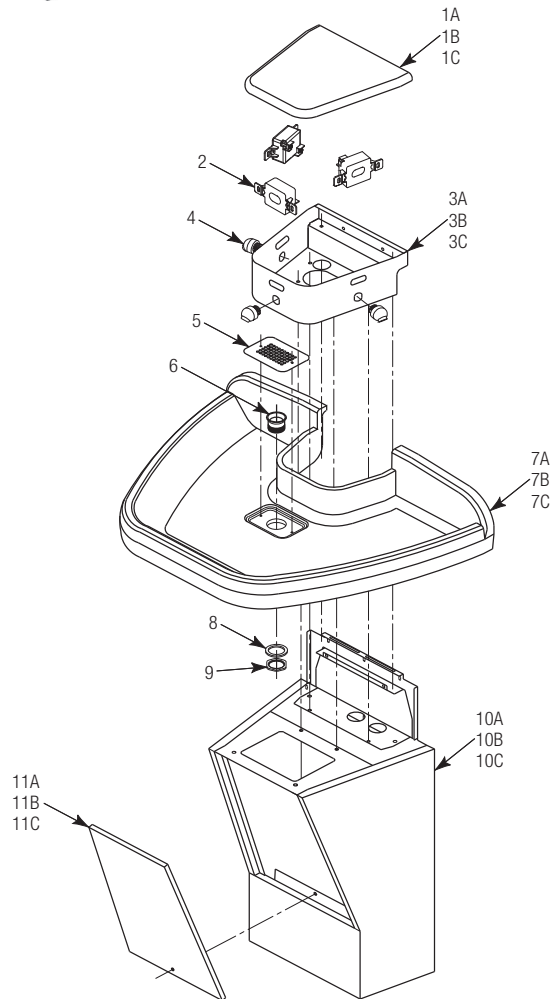
### MIXING VALVE

<b>0326045</b>	MIX-135-A	Below Deck Thermostatic Water Mixing Valve (BDT Variation)
----------------	-----------	------------------------------------------------------------

### REPAIR KITS

<b>3305622</b>	EL-1500-LL	Sensor – Lavatory
<b>3305527</b>	ETF-1004-A	Solenoid
<b>3305577</b>	ETF-1009-A	Solenoid Valve Repair Kit

— Consult factory for replacement part.  
 — Consult factory for replacement part.



## SloanStone® EWF-40000 Sink

### TROUBLESHOOTING GUIDE

#### 1. No water flows when sensor is activated

Ensure that main power supply is turned "ON." Check receptacle, transformer, solenoid, leads and connections.

INDICATOR: If Sensor LED does not blink:

- A. Control module circuit board is faulty; replace.
- B. Sensor is faulty; replace sensor module.

INDICATOR: If Sensor LED blinks when user is sensed:

- A. Supply Stop(s) may be closed; open Supply Stop(s).
- B. Debris may be in Solenoid filter; remove, clean and reinstall.

#### 2. Very low flow or slow dribble

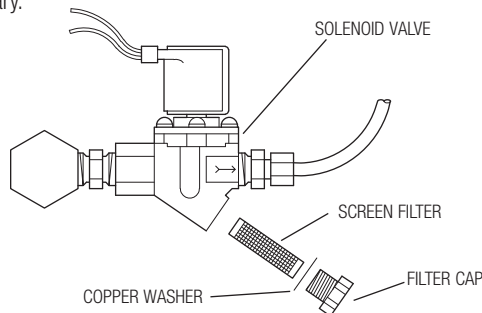
- A. Supply Stop(s) may be closed; open Supply Stop(s).
- B. Debris is in solenoid, won't close properly; remove operator and clean. Reassemble in the same manner.
- C. Debris may be in Solenoid filter; remove, clean and reinstall.
- D. Debris is in spray head; remove, clean and reinstall.

#### 3. Continues to run (even after power to faucet has been disconnected)

- A. Solenoid valve is installed backwards; install correctly.
- B. Debris is in solenoid, won't close properly; remove operator and clean. Reassemble in the same manner.

### SOLENOID SCREEN FILTER CLEANING

- A. Before cleaning the Screen Filter, turn off the water supply at supply stop(s).
- B. Activate the Spray Head to relieve any pressure in the system.
- C. Unscrew the Filter Cap and remove it from the Solenoid Valve Housing.
- D. Carefully remove the Screen Filter from the Solenoid Valve Housing.
- E. Clean the Screen Filter using fresh tap water only. If necessary, use a small brush to clean. Use caution while cleaning to prevent damage to Screen Filter.
- F. Examine the Copper Washer for wear or damage; replace if necessary. Carefully replace the Screen Filter into the Filter Cap. Screw the Filter Cap with Copper Washer into the Solenoid Valve Housing and tighten securely to prevent leaks.
- G. Turn on the water supply at the supply stop(s). Activate the Spray Head to purge any air from the system lines. Check for leaks and repair as necessary.



#### SloanStone® Solid Surface Care

For normal cleaning, use warm, soapy water or conventional ammonia based liquid glass cleaner.

For dry stains, allow the soapy water or glass cleaner some time to remoisturize the area, then wipe the stain off.

To renew the surface after deep scratches or stains, use green, then maroon, and finally white 3M Scotch-Brite® pads to return the deck to a smooth 1200 grit wet-sanded finish.

If the dry stain is neither water-based nor oil-based, gently scrape the stain off with a plastic material (i.e. a plastic knife), and then proceed with the aforementioned normal cleaning procedures.

Wipe the entire surface evenly with a mild abrasive cleanser for regular maintenance.

#### Stainless Steel Care

**Important:** When cleaning stainless steel, always rub in the same direction of the stainless steel finish lines, never across. After cleaning, always thoroughly rinse with water and dry all cleaned stainless steel areas to prevent buildup of mineral deposits.

Clean stainless steel surfaces often using warm, soapy water.

For more stubborn deposits, use baking soda, borax or any of several non-abrasive commercial cleansing agents. Do not leave chlorides found in most cleansing agents for extended periods of time on the surfaces as they may attack stainless steel. If an abrasive cleaning tool is needed, always use stainless steel wool, stainless steel pads, or stainless steel brushes. Do not use ordinary steel wool, pads or brushes because they have a tendency to break apart and leave small particles which will rust on the stainless steel surfaces, giving the appearance that the stainless steel surfaces themselves are rusting. Do not use strong acidic or caustic cleaners or cleansers because they may also attack the stainless steel surfaces. Maintain a regular cleaning schedule.

**When assistance is required, please contact  
Sloan Technical Support at: 1-888-SLOAN-14 (1-888-756-2614).**



**SloanStone® ELC-40000 & ELC-70000 Sinks**



ELC-41000  
Single Station



ELC-42000  
Double Station



ELC-43000  
Triple Station

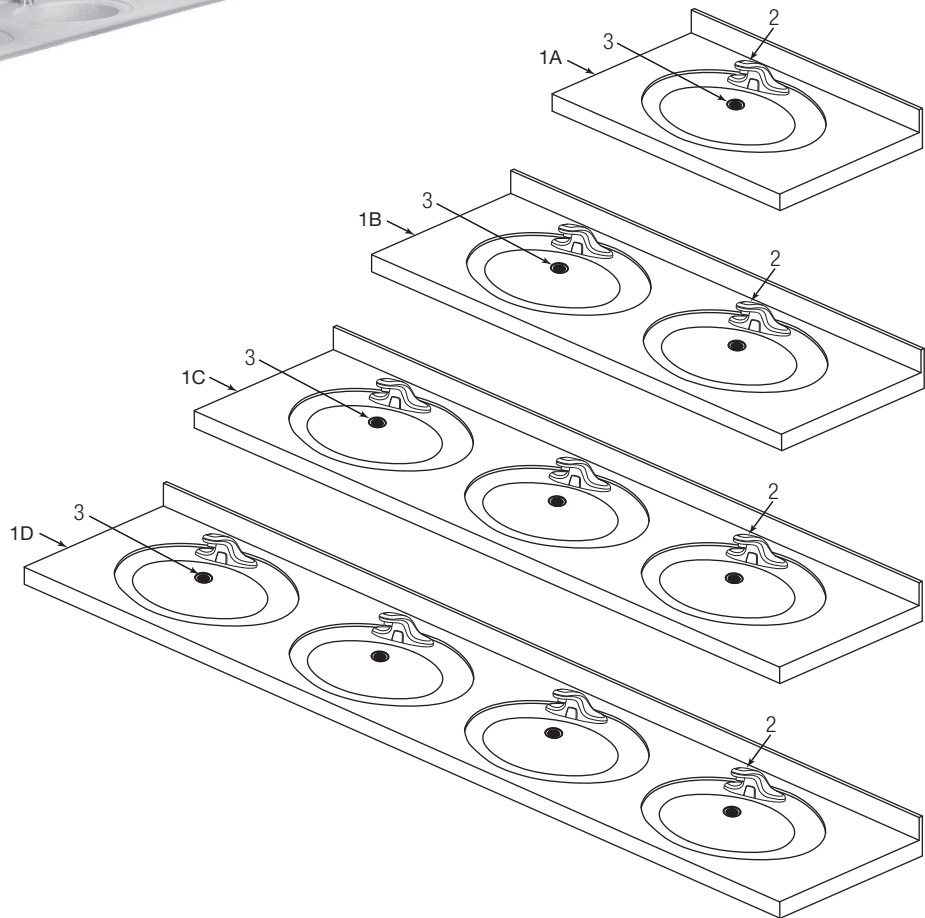
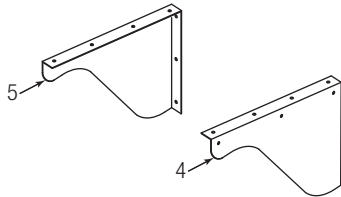


ELC-44000  
Quadruple Station

**SENSOR ACTIVATED SOLID SURFACE LAVATORY SYSTEM PARTS**

Item			
No.	Code No.	Part No.	Description
1.	—	—	Solid Surface Basin (single)
	—	—	Solid Surface Basin (double)
	—	—	Solid Surface Basin (triple)
	—	—	Solid Surface Basin (quadruple)
2.	—	—	Faucet (Model Varies)
3.	—	—	Strainer Assembly
4.	<b>0387384</b>	ELB-3	Right Mounting Bracket (Optional)
5.	<b>0387385</b>	ELB-4	Left Mounting Bracket (Optional)

— Consult factory for replacement part.  
— Consult factory for replacement part.



## SloanStone® ELC-40000 &amp; ELC-70000 Sinks

## TROUBLESHOOTING GUIDE

Refer to appropriate faucet pages in Maintenance Guide.

### 1. No water flows when sensor is activated

Ensure that main power supply is turned "ON." Check receptacle, transformer, batteries (battery powered models), solenoid, leads and connections.

INDICATOR: If Sensor LED does not blink:

- A. Control module circuit board is faulty; replace.
- B. Sensor is faulty; replace sensor module.

INDICATOR: If Sensor LED blinks when user is sensed:

- A. Supply Stop(s) may be closed; open Supply Stop(s).
- B. Debris may be in Solenoid filter; remove, clean and reinstall.

### 2. Very low flow or slow dribble

- A. Supply Stop(s) may be closed; open Supply Stop(s).
- B. Debris is in solenoid, won't close properly; remove operator and clean. Reassemble in the same manner.
- C. Debris may be in Solenoid filter; remove, clean and reinstall.
- D. Debris is in aerator; remove, clean and reinstall.

### 3. Continues to run (even after power to faucet has been disconnected)

- A. Solenoid valve is installed backwards; install correctly.
- B. Debris is in solenoid, won't close properly; remove operator and clean. Reassemble in the same manner.

### Solenoid Screen Filter Cleaning

A. Before cleaning the Screen Filter, turn the water supply at supply stop(s).

B. Activate the Faucet to relieve pressure in the system.

C. Unscrew the Filter Cap and remove from the Solenoid Valve Housing.

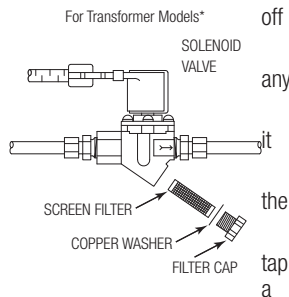
D. Carefully remove the Screen Filter from Solenoid Valve Housing.

E. Clean the Screen Filter using fresh water only. If necessary, use small brush to clean.

Use caution while cleaning to prevent damage to Screen Filter.

F. Examine the Copper Washer or O-ring for wear or damage; replace if necessary. Carefully replace the Screen Filter into Filter Cap. Screw the Filter Cap with Copper Washer or O-ring into Solenoid Valve Housing and tighten securely to prevent leaks.

G. Turn on the water supply at the supply stop(s). Activate the Faucet to purge any air from the system lines. Check for leaks and repair as necessary.



### SloanStone® Solid Surface Care

For normal cleaning, use warm, soapy water or conventional ammonia based liquid glass cleaner.

For dry stains, allow the soapy water or glass cleaner some time to remoisturize the area, then wipe the stain off.

To renew the surface after deep scratches or stains, use green, then maroon, and finally white 3M Scotch-Brite® pads to return the deck to a smooth 1200 grit wet-sanded finish.

If the dry stain is neither water-based nor oil-based, gently scrape the stain off with a plastic material (i.e. a plastic knife), and then proceed with the aforementioned normal cleaning procedures.

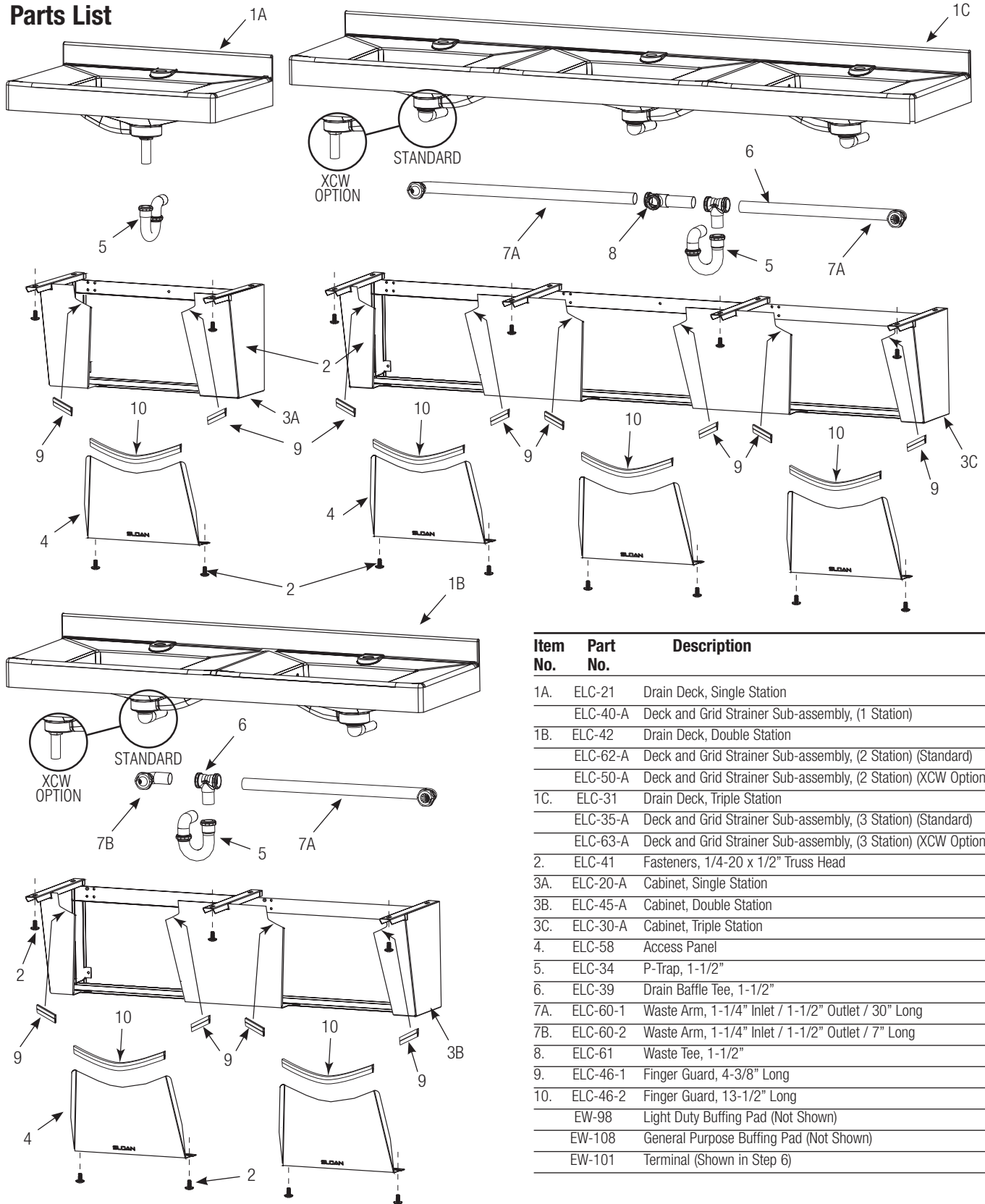
Wipe the entire surface evenly with a mild abrasive cleanser for regular maintenance.

**When assistance is required, please contact**

**Sloan Technical Support at: 1-888-SLOAN-14 (1-888-756-2614).**

SloanStone® ELC-81000/82000/83000 Sinks

Parts List

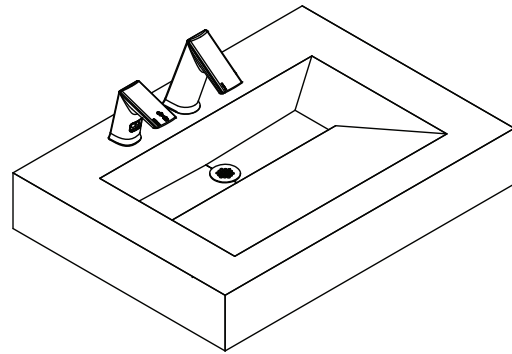
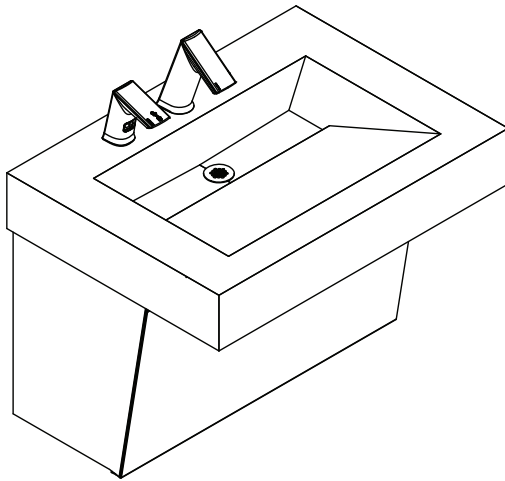


Item No.	Part No.	Description
1A.	ELC-21	Drain Deck, Single Station
	ELC-40-A	Deck and Grid Strainer Sub-assembly, (1 Station)
1B.	ELC-42	Drain Deck, Double Station
	ELC-62-A	Deck and Grid Strainer Sub-assembly, (2 Station) (Standard)
	ELC-50-A	Deck and Grid Strainer Sub-assembly, (2 Station) (XCW Option)
1C.	ELC-31	Drain Deck, Triple Station
	ELC-35-A	Deck and Grid Strainer Sub-assembly, (3 Station) (Standard)
	ELC-63-A	Deck and Grid Strainer Sub-assembly, (3 Station) (XCW Option)
2.	ELC-41	Fasteners, 1/4-20 x 1/2" Truss Head
3A.	ELC-20-A	Cabinet, Single Station
3B.	ELC-45-A	Cabinet, Double Station
3C.	ELC-30-A	Cabinet, Triple Station
4.	ELC-58	Access Panel
5.	ELC-34	P-Trap, 1-1/2"
6.	ELC-39	Drain Baffle Tee, 1-1/2"
7A.	ELC-60-1	Waste Arm, 1-1/4" Inlet / 1-1/2" Outlet / 30" Long
7B.	ELC-60-2	Waste Arm, 1-1/4" Inlet / 1-1/2" Outlet / 7" Long
8.	ELC-61	Waste Tee, 1-1/2"
9.	ELC-46-1	Finger Guard, 4-3/8" Long
10.	ELC-46-2	Finger Guard, 13-1/2" Long
	EW-98	Light Duty Buffing Pad (Not Shown)
	EW-108	General Purpose Buffing Pad (Not Shown)
	EW-101	Terminal (Shown in Step 6)

SloanStone® ELGR-80000 Sink

**ELGR-81000**

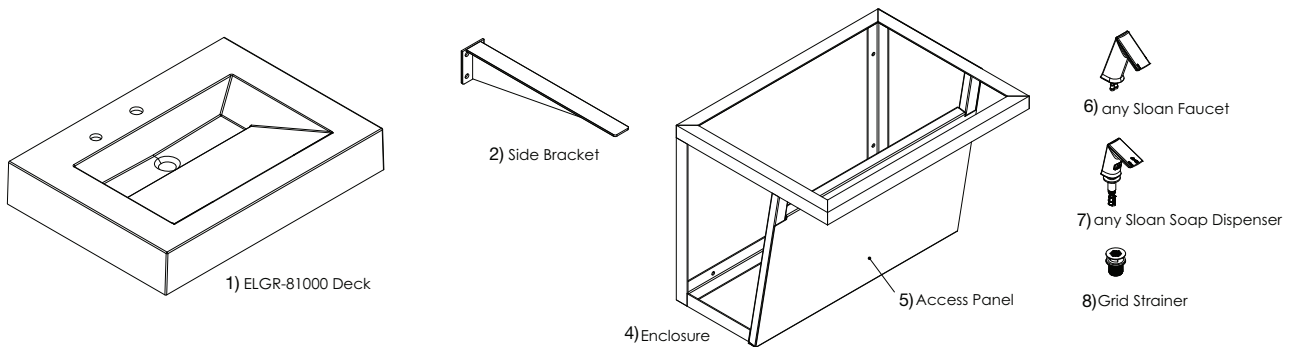
One Station Lavatory Systems



**Sink Location**

Determine the appropriate wall location for the Lavatory System. Consider that hot and cold water supply lines, a drain line, and an electrical source (receptacle for hardwired faucets and hand dryer) will be required. Compare the physical dimensions of the Lavatory System to the space available for the installation. If wall is not load bearing, a carrier may be required behind the wall. Refer to the appropriate Rough-in diagrams for Lavatory System dimensions. Prior to Lavatory System installation, electric wiring, water supply and drain must be installed.

**ELGR-81000, One Station Components**



**Note:**  
Faucet and soap dispenser models shown for reference, actual units will depend on what was selected at order entry.

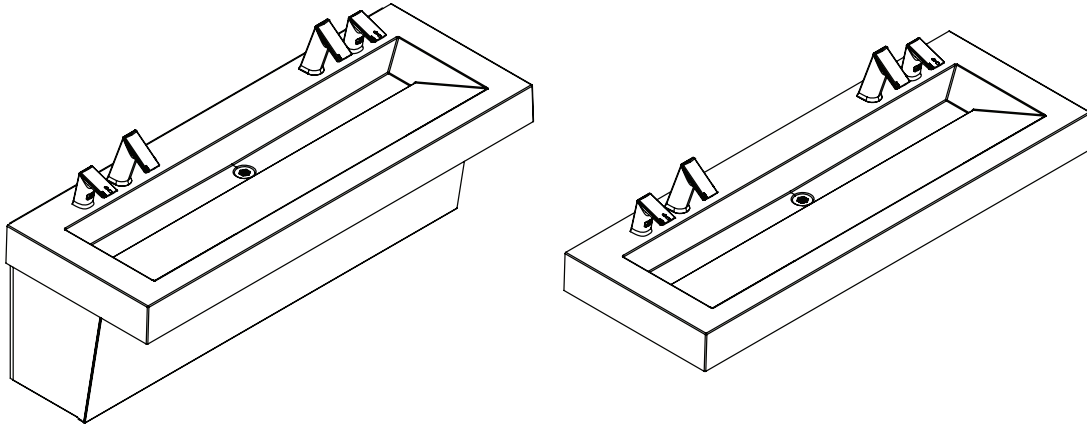
**ELGR-81000, One Station Component List**

Description	Item Number	Quantity
Designer Series ELGR, One Station, Deck	1	1
Side Bracket <i>(Mounting Option, 0386063)</i>	2	2
Middle Bracket <i>(Mounting Option, 0386064, not required for single station)</i>	3	-
Angled Enclosure <i>(Mounting Option)</i>	4	1
Hook and Hang Access Panel	5	1
any Sloan Faucet	6	1
any Sloan Soap Dispenser <b>Note:</b> If ESD-500 Selected – Area under the sink must be clear for proper installation access and soap bottle change (no outlets, stops, etc).	7	1

SloanStone® ELGR-80000 Sink

**ELGR-82000**

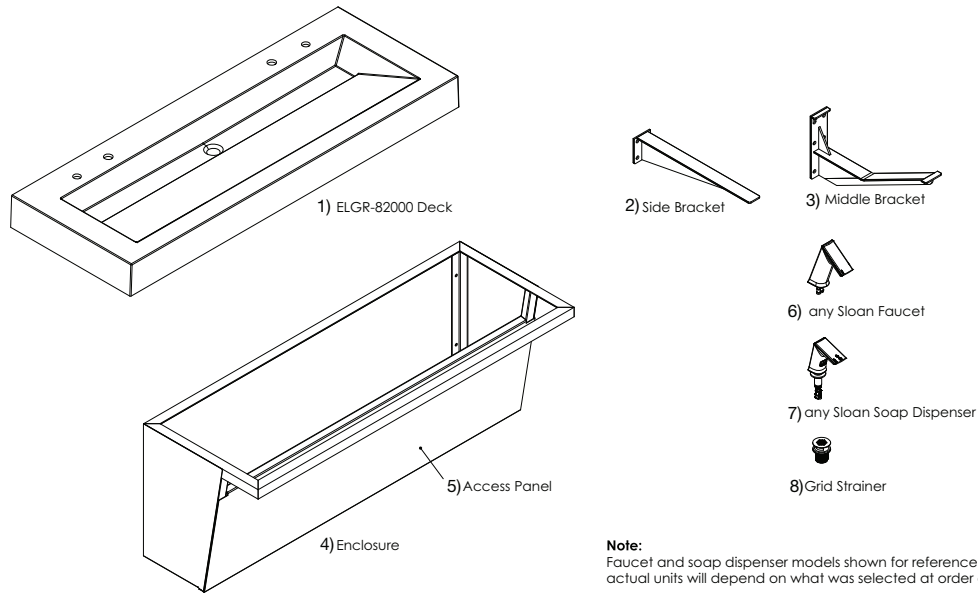
Two Station Lavatory Systems



**Sink Location**

Determine the appropriate wall location for the Lavatory System. Consider that hot and cold water supply lines, a drain line, and an electrical source (receptacle for hardwired faucets and hand dryer) will be required. Compare the physical dimensions of the Lavatory System to the space available for the installation. If wall is not load bearing, a carrier may be required behind the wall. Refer to the appropriate Rough-in diagrams for Lavatory System dimensions. Prior to Lavatory System installation, electric wiring, water supply and drain must be installed.

**ELGR-82000, Two Station Components**



**Note:**  
Faucet and soap dispenser models shown for reference, actual units will depend on what was selected at order entry.

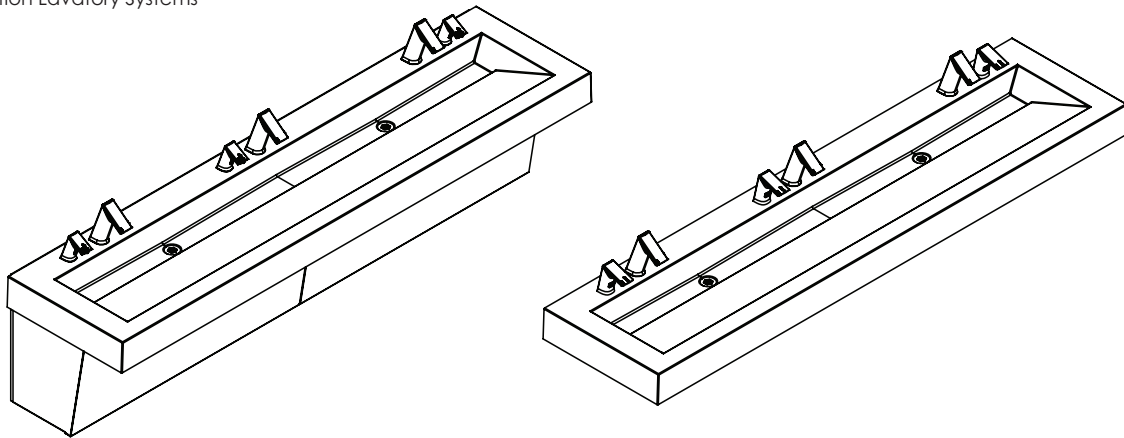
**ELGR-82000, Two Station Component List**

Description	Item Number	Quantity
Designer Series ELGR, Two Station, Deck	1	1
Side Bracket ( <i>Mounting Option, 0386063</i> )	2	2
Middle Bracket ( <i>Mounting Option, 0386064</i> )	3	2
Angled Enclosure ( <i>Mounting Option</i> )	4	1
Hook and Hang Access Panel	5	1
any Sloan Faucet	6	2
any Sloan Soap Dispenser <b>Note:</b> If ESD-500 Selected – Area under the sink must be clear for proper installation access and soap bottle change (no outlets, stops, etc).	7	2
Grid Strainer	8	1

SloanStone® ELGR-80000 Sink

**ELGR-83000**

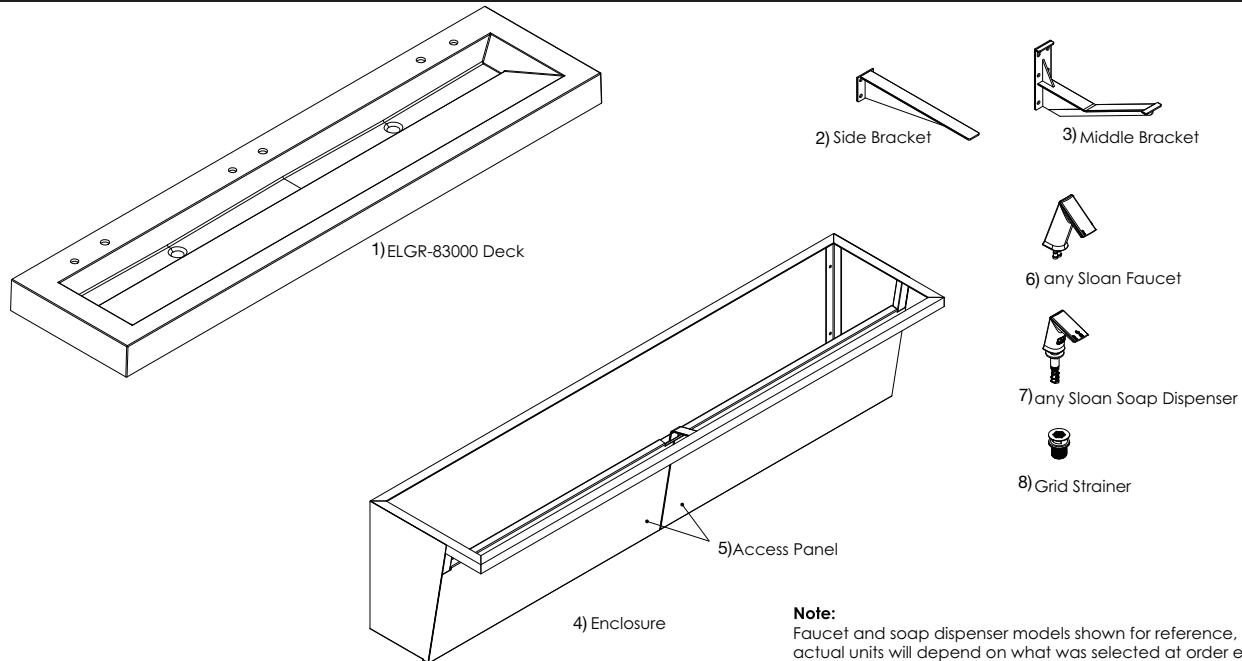
Three Station Lavatory Systems



**Sink Location**

Determine the appropriate wall location for the Lavatory System. Consider that hot and cold water supply lines, a drain line, and an electrical source (receptacle for hardwired faucets and hand dryer) will be required. Compare the physical dimensions of the Lavatory System to the space available for the installation. If wall is not load bearing, a carrier may be required behind the wall. Refer to the appropriate Rough-in diagrams for Lavatory System dimensions. Prior to Lavatory System installation, electric wiring, water supply and drain must be installed.

**ELGR-83000, Three Station Components**



**ELGR-83000, Three Station Component List**

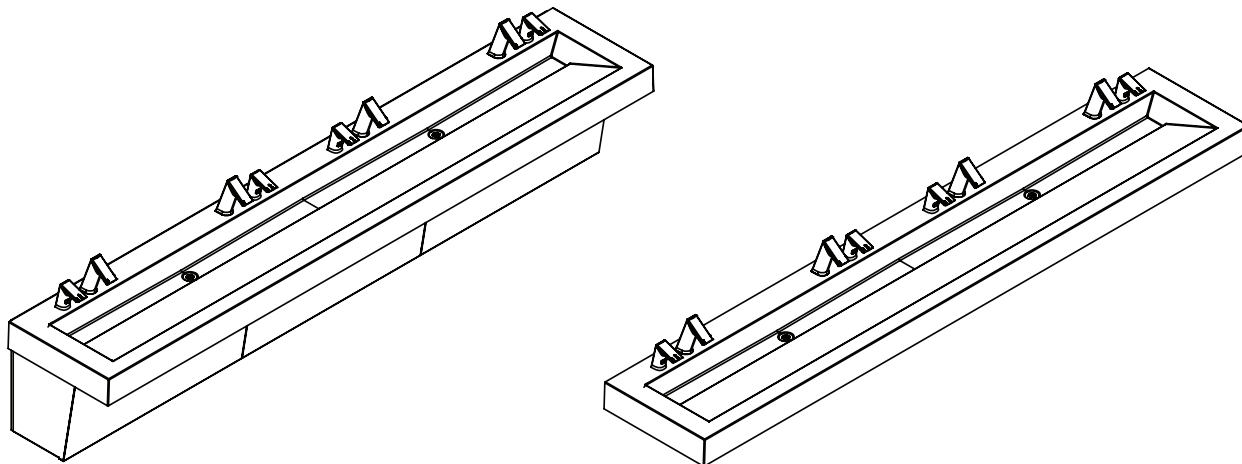
Description	Item Number	Quantity
Designer Series ELGR, Three Station, Deck	1	1
Side Bracket <i>(Mounting Option, 0386063)</i>	2	2
Middle Bracket <i>(Mounting Option, 0386064)</i>	3	4
Angled Enclosure <i>(Mounting Option)</i>	4	1
Hook and Hang Access Panel	5	2
any Sloan Faucet	6	3
any Sloan Soap Dispenser <b>Note:</b> If ESD-500 Selected – Area under the sink must be clear for proper installation access and soap bottle change (no outlets, stops, etc).	7	3
Grid Strainer	8	2



SloanStone® ELGR-80000 Sink

**ELGR-84000**

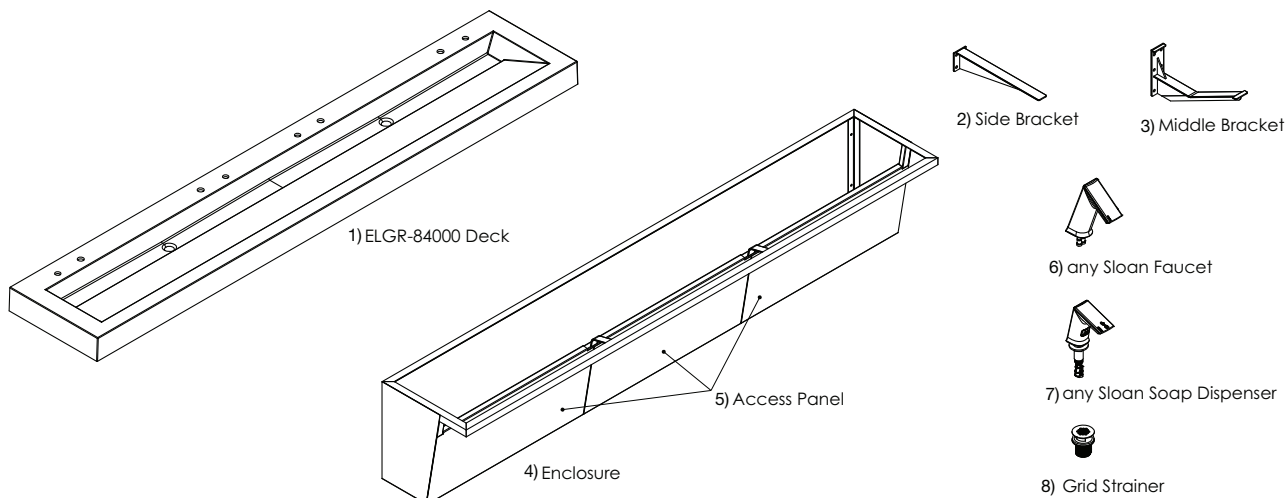
Four Station Lavatory Systems



**Sink Location**

Determine the appropriate wall location for the Lavatory System. Consider that hot and cold water supply lines, a drain line, and an electrical source (receptacle for hardwired faucets and hand dryer) will be required. Compare the physical dimensions of the Lavatory System to the space available for the installation. If wall is not load bearing, a carrier may be required behind the wall. Refer to the appropriate Rough-in diagrams for Lavatory System dimensions. Prior to Lavatory System installation, electric wiring, water supply and drain must be installed.

**ELGR-84000, Four Station Components**



**Note:**  
Faucet and soap dispenser models shown for reference, actual units will depend on what was selected at order entry.

**ELGR-84000, Four Station Component List**

Description	Item Number	Quantity
Designer Series ELGR, Four Station, Deck	1	1
Side Bracket (Mounting Option, 0386063)	2	2
Middle Bracket (Mounting Option, 0386064)	3	6
Angled Enclosure (Mounting Option)	4	1
Hook and Hang Access Panel	5	3
any Sloan Faucet	6	4
any Sloan Soap Dispenser <b>Note:</b> If ESD-500 Selected – Area under the sink must be clear for proper installation access and soap bottle change (no outlets, stops, etc).	7	4
Grid Strainer	8	2

## SloanStone® ELGR-80000 Sink

### TROUBLESHOOTING GUIDE

Refer to appropriate faucet pages in Maintenance Guide.

#### 1. No water flows when sensor is activated

Ensure that main power supply is turned "ON." Check receptacle, transformer, batteries (battery powered models), solenoid, leads and connections.

INDICATOR: If Sensor LED does not blink:

- A. Control module circuit board is faulty; replace.
- B. Sensor is faulty; replace sensor module.

INDICATOR: If Sensor LED blinks when user is sensed:

- A. Supply Stop(s) may be closed; open Supply Stop(s).
- B. Debris may be in Solenoid filter; remove, clean and reinstall.

#### 2. Very low flow or slow dribble

- A. Supply Stop(s) may be closed; open Supply Stop(s).
- B. Debris is in solenoid, won't close properly; remove operator and clean. Reassemble in the same manner.
- C. Debris may be in Solenoid filter; remove, clean and reinstall.
- D. Debris is in aerator; remove, clean and reinstall.

#### 3. Continues to run (even after power to faucet has been disconnected)

- A. Solenoid valve is installed backwards; install correctly.
- B. Debris is in solenoid, won't close properly; remove operator and clean. Reassemble in the same manner.

#### Solenoid Screen Filter Cleaning

- A. Before cleaning the Screen Filter, turn off the water supply at supply stop(s).
- B. Activate the Faucet to relieve any pressure in the system.
- C. Unscrew the Filter Cap and remove it from the Solenoid Valve Housing.
- D. Carefully remove the Screen Filter from the Solenoid Valve Housing.
- E. Clean the Screen Filter using fresh tap water only. If necessary, use a small brush to clean.  
Use caution while cleaning to prevent damage to Screen Filter.
- F. Examine the Copper Washer or O-ring for wear or damage; replace if necessary. Carefully replace the Screen Filter into Filter Cap. Screw the Filter Cap with Copper Washer or O-ring into Solenoid Valve Housing and tighten securely to prevent leaks.
- G. Turn on the water supply at the supply stop(s). Activate the Faucet to purge any air from the system lines. Check for leaks and repair as necessary.

#### SloanStone® Solid Surface Care

For normal cleaning, use warm, soapy water or conventional ammonia based liquid glass cleaner.

For dry stains, allow the soapy water or glass cleaner some time to re moisturize the area, then wipe the stain off.

To renew the surface after deep scratches or stains, use green, then maroon, and finally white 3M Scotch-Brite® pads to return the deck to a smooth 1200 grit wet-sanded finish.

If the dry stain is neither water-based nor oil-based, gently scrape the stain off with a plastic material (i.e. a plastic knife), and then proceed with the aforementioned normal cleaning procedures.

Wipe the entire surface evenly with a mild abrasive cleanser for regular maintenance.

**When assistance is required, please contact  
Sloan Technical Support at: 1-888-SLOAN-14 (1-888-756-2614).**

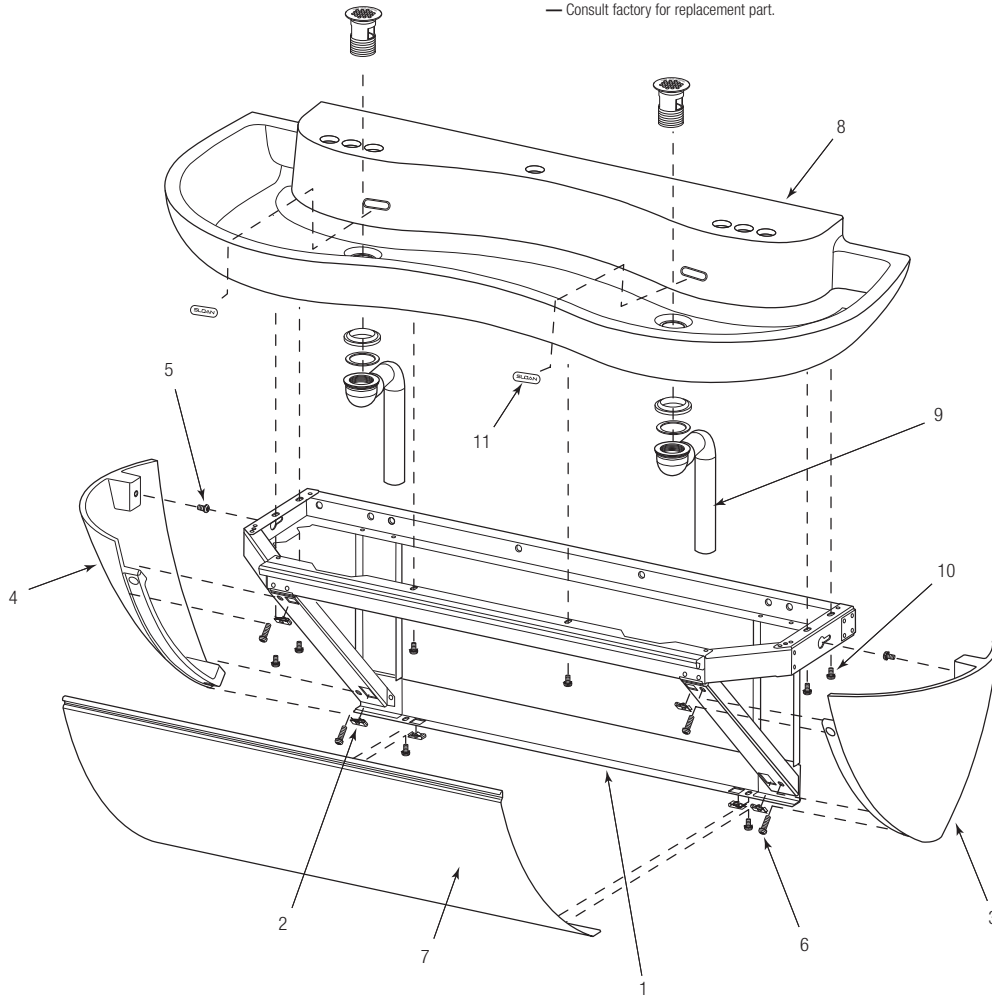
## SloanStone® ELS-72000 Sink



### DOUBLE STATION SENSOR ACTIVATED SOLID SURFACE LAVATORY SYSTEM PARTS

Item No.	Code No.	Part No.	Description
1.	—	EW-20-A	Cabinet Weldment, 2 Station
2.	<b>0387099</b>	EW-99	U-Type Nut Standard 1/4-20 Thread (6)
3.	—	EW-60	End Cap Right – Machined
4.	—	EW-52	End Cap Left – Machined
5.	—	EW-15	Screw, Pan Head 1/4-20 x 1/2" Long (SEMS)
6.	—	EW-16	Screw, Pan Head 1/4-20 x 1" Long (SEMS) (4)
7.	<b>0387006</b>	EW-25	Front Panel, 2 Station
8.	<b>SEE TABLE BELOW</b>		Double Station Lavatory Basin Assembly
9.	—	ETF-725-A	Grid Strainer Assembly (2)
10.	—	EW-15	Screw, Pan Head 1/4-20 x 1/2" Long (SEMS)
11.	—	EW-61	Overflow Cover Plate (2)
	—	EW-98	Light Duty Buffing Pad (not shown)
	<b>0387099</b>	EW-99	U-Type Nut Std. 1/4"-20 Thread

— Consult factory for replacement part.



### ITEM NO. 8 – DOUBLE STATION LAVATORY BASIN HOLE PATTERNS

Hole Pattern	—	A	B	C	D
Part Number	ELS-12-A-XX	ELS-12-A-XX-A	ELS-12-A-XX-B	ELS-12-A-XX-C	ELS-12-A-XX-D
Basin Hole Pattern					

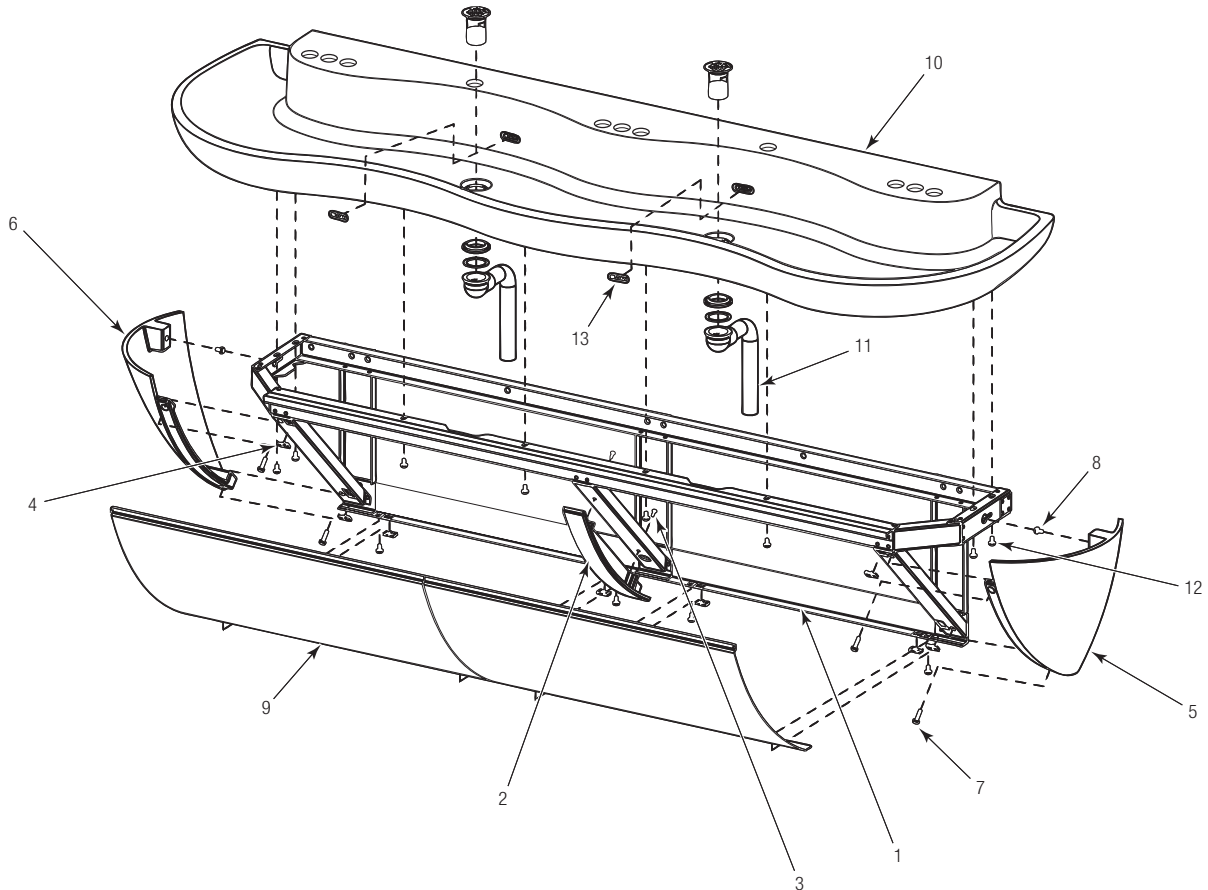
## SloanStone® ELS-73000 Sink



### TRIPLE STATION SENSOR ACTIVATED SOLID SURFACE LAVATORY SYSTEM PARTS

Item No.	Code No.	Part No.	Description
1.	—	EW-30-A	Cabinet Weldment, 3 Station
2.	—	EW-50	Front Panel Support – Machined
3.	—	EW-36	Screw, Pan Head #8-32 x 7/16" Long (SEMS) (2)
4.	<b>0387099</b>	EW-99	U-Type Nut Standard 1/4-20 Thread (6)
5.	—	EW-60	End Cap Right – Machined
6.	—	EW-52	End Cap Left – Machined
7.	—	EW-16	Screw, Pan Head 1/4-20 x 1" Long (SEMS) (4)
8.	—	EW-15	Screw, Pan Head 1/4-20 x 1/2" Long (SEMS) (2)
9.	<b>0387035</b>	EW-35	Front Panel, 3 Station (2)
10.	<b>SEE TABLE BELOW</b>		Triple Station Lavatory Basin Assembly
11.	—	ETF-725-A	Grid Strainer Assembly (2)
12.	—	EW-15	Screw, Pan Head 1/4-20 x 1/2" Long (SEMS) (8)
13.	—	EW-61	Overflow Cover Plate (2)
		EW-98	Light Duty Buffing Pad (not shown)
		EW-108	Heavy Duty Buffing Pad (not shown)

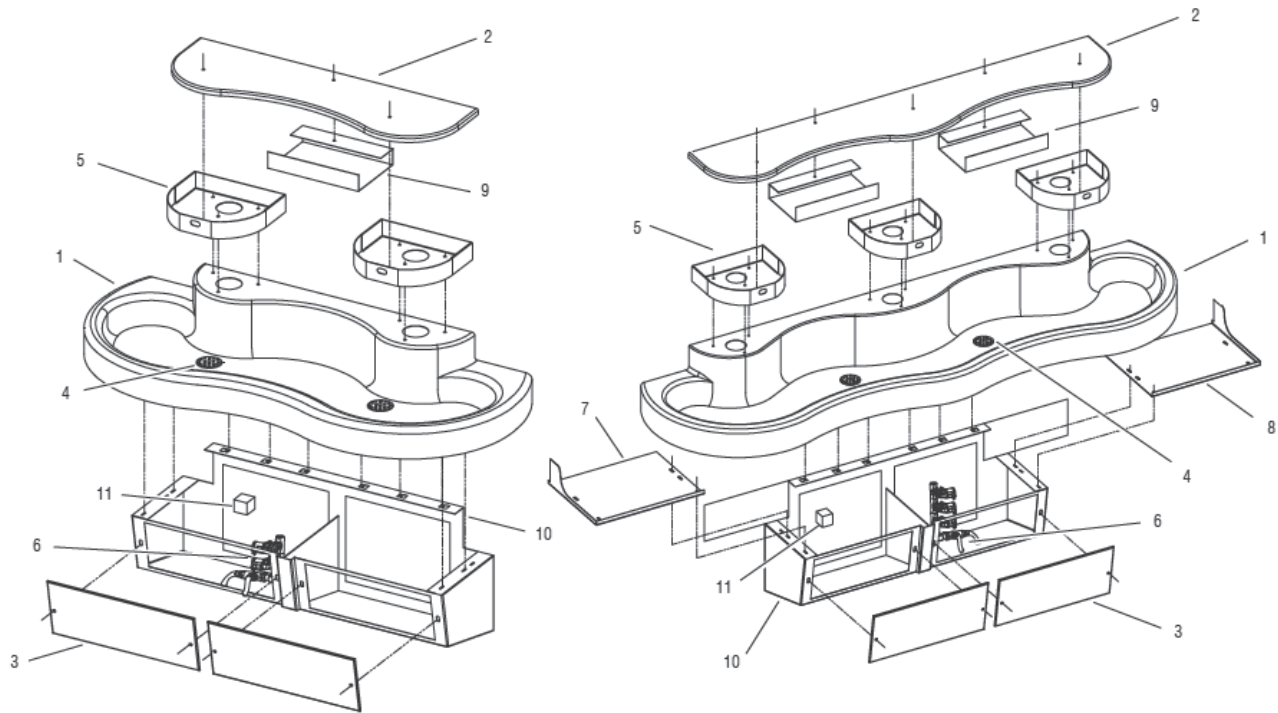
— Consult factory for replacement part.








### ITEM NO. 10 – TRIPLE STATION LAVATORY BASIN HOLE PATTERNS



Hole Pattern	—	A	B	C	D
Part Number	ELS-13-A-XX	ELS-13-A-XX-A	ELS-13-A-XX-B	ELS-13-A-XX-C	ELS-13-A-XX-D
Basin Hole Pattern					

SloanStone® EW-42000/43000 Sinks



Hardware Kit

- 1/4-20 x 4" THREADED ROD 
- 1/4-20 x 1 1/2" FASTENER 
- 1/4-20 x 1" FASTENER 
- 1/4-20 x 1" FASTENER (FLAT HEAD) 
- 1/4-20 x 1/2" FASTENER 

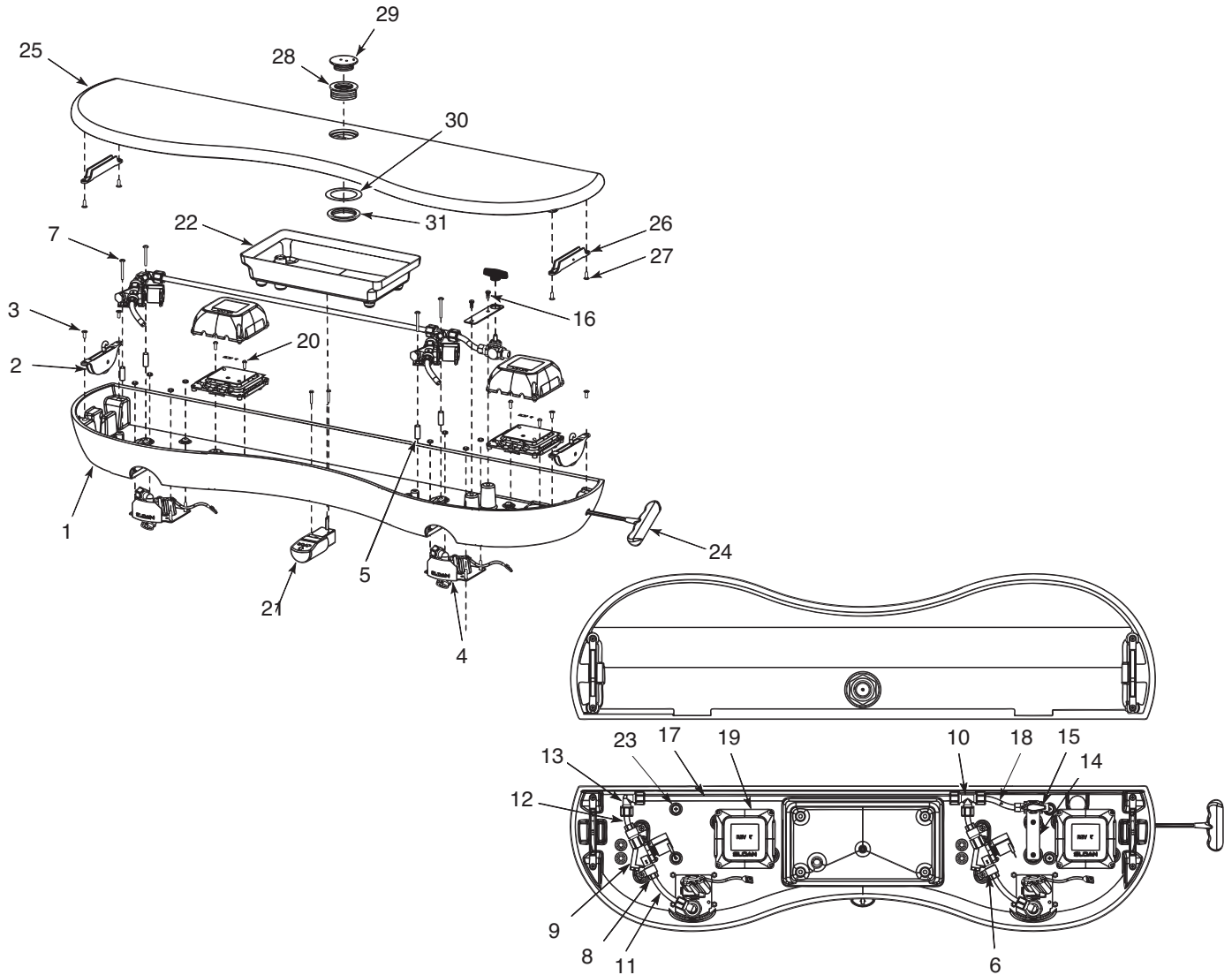
- 1/4-20 x 7/8" COUPLING NUT 
- 4 WAY WIRE TIE BASE 
- AERATOR KEY 

- 4" WIRE TIE WRAP 
- 1/4-20 TINNEMAN NUT 
- 1/4-20 WING NUT 
- TT30 PINNED TORX BIT 
- TT27 PINNED TORX BIT 

Item No.	Description
1.	Sold Surface Basin
2.	Solid Surface Top Cover
3.	Front Panels
4.	Front Panels (LP)
5.	Actuator Assembly
6.	Electronic Valve Assembly
7.	Left Side Closure Panel
8.	Right Side Closure Panel
9.	Filler Tray/Soap Tray
10.	Cabinet (LP)
	Cabinet (Standard)
	Cabinet (Floor Mounted)
	Power Supply
11.	Hardware Kit (Not Shown)

Part No.	Description
	<b>MIXING VALVE</b>
	MIX-135-A Below Deck Thermostatic Mixing Valve (BDT Variation)
	<b>SENSOR REPLACEMENT KIT</b>
	EL-1500-LL
	<b>SOLENOID REPLACEMENT KIT</b>
	ETF-1004-A
	<b>SOLENOID FILTER REPLACEMENT KIT</b>
	ETF-1009-A

# SloanStone® EW-72000 Sink Head Assembly



Item No.	Part No.	Description
1.	EW-46	Electronics Enclosure 2 Station Machined
2.	EW-41	Large Latch (2)
3.	EW-27	Screw, Flat Head #10-24 x 1/2" Long (4)
4.	EW-75-A	Sensor Plate Assembly (2)
5.	EW-8	Spacer, #8 x 1" Long (4)
6.	EW-13	Mounting Clamp for ETF-370-A Solenoid (4)
7.	EW-9	Screw, Truss Head #8-32 x 1-1/2" Long (4)
8.	ETF-61	Male Connector (4)
9.	ETF-370-A	Solenoid Valve Assembly (2)
10.	EW-19	Compression Tee Fitting 3/8" Tube
11.	EW-89-00362	Tube, 3/8" x 3-5/8" Long (2)
12.	EW-89-00188	Tube, 3/8" x 1-7/8" Long (2)
13.	EW-18	Compression Elbow Fitting, 3/8" Tube
14.	EW-5	Mounting Bracket for Shut-off Valve
15.	EW-74	Panel Mount Ball Valve - 3/8" Compression Fitting
16.	EW-36	Screw, Pan Head #8-32 x 7/16" Long (SEMS)(2)
17.	EW-89-02525	Tube, 3/8" x 25-1/4" Long
18.	EW-89-00388	Tube, 3/8" x 3-7/8" Long
19.	ETF-450-A	Splash Proof Junction Box Assembly (2)
20.	EW-28	Screw, Round Head #8-32 x 1/2" Long (4)
21. †	ESD-255-A	Manual Soap Pump Assembly

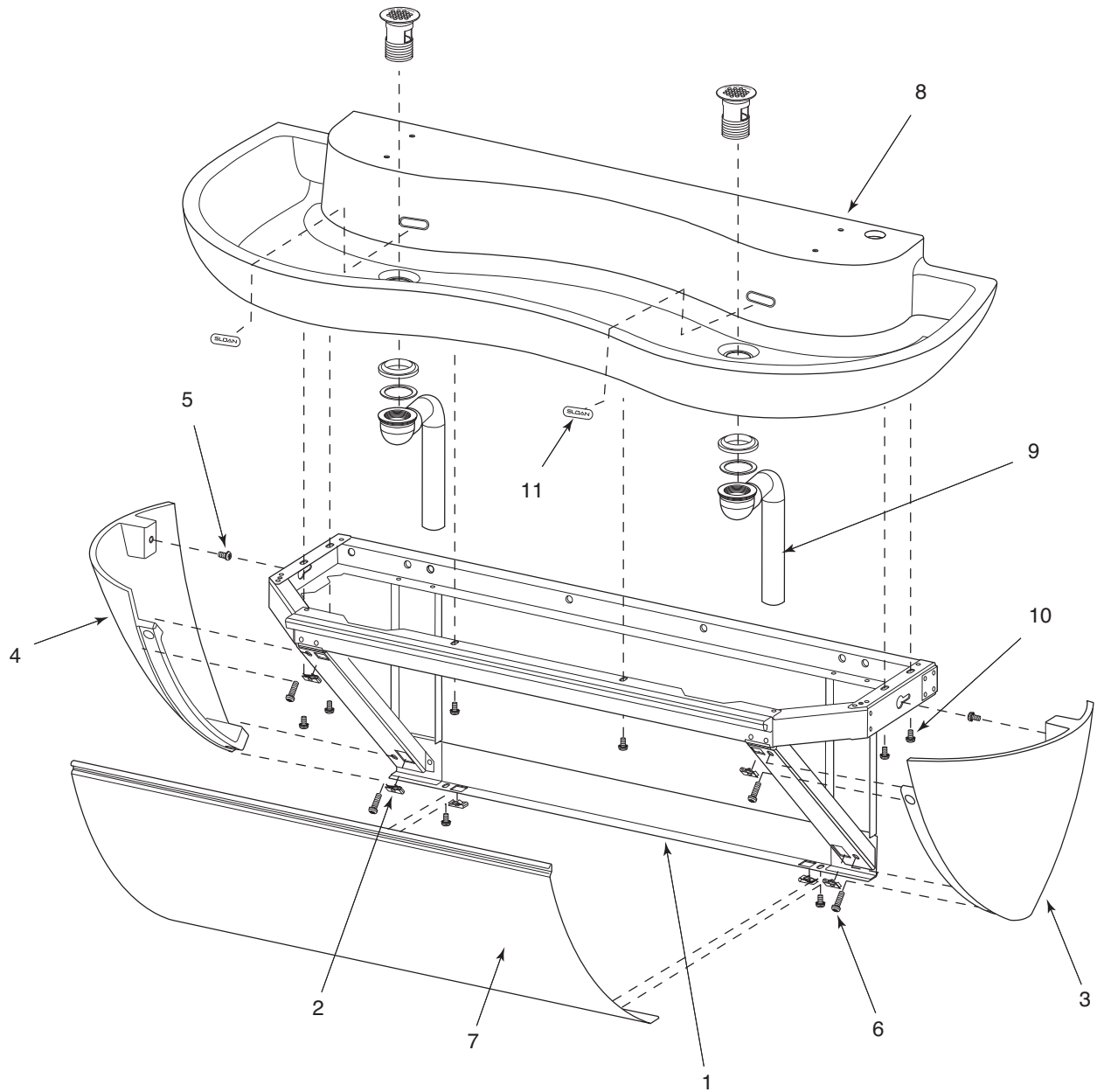
Item No.	Part No.	Description
22. †	ESD-245-A	Manual Soap Reservoir Assembly
23.	EW-37	Screw, Truss Head 1/4-20 x 1-1/2" (4)
—	EW-26	Tube Support 3/8" (5) (Not Shown)
—	MIX-135-A	Thermostatic Mixing Valve (Below Deck) (Not shown)
—	EW-87	Flexible Supply Hose, 2 Station (Not Shown)
—	EW-82-A	Wiring Harness, 2 Station (Not Shown)
—	ETF-233	Transformer (Not shown)
—	ETF-731	Vandal Proof Key, Standard and Junior (Not shown)
24.	EW-96	T-Handle Hex Wrench, 7/32"
25.	EW-48-X	Cover, Electronics Enclosure, 2 Station Machined
26.	EW-42	Large Encased Receiver (2)
27.	EW-27	Screw, Flat Head #10-24 x 1/2" Long (4)
28. ‡	ESD-242	Sleeve for Fill Cap
29. ‡	ESD-241	Fill Cap for Soap Reservoir
30. ‡	EW-11	Gasket - Fill Cap Sleeve (Manual Soap Reservoir)
31. ‡	ESD-243	Jam Nut for Fill Cap Sleeve
— ‡	ESD-249	Fill Cap Spanner (Not Shown)

† Included on models with Soap Dispenser.  
‡ Included on models with Fill Cap.

The information contained in this document is subject to change without notice.



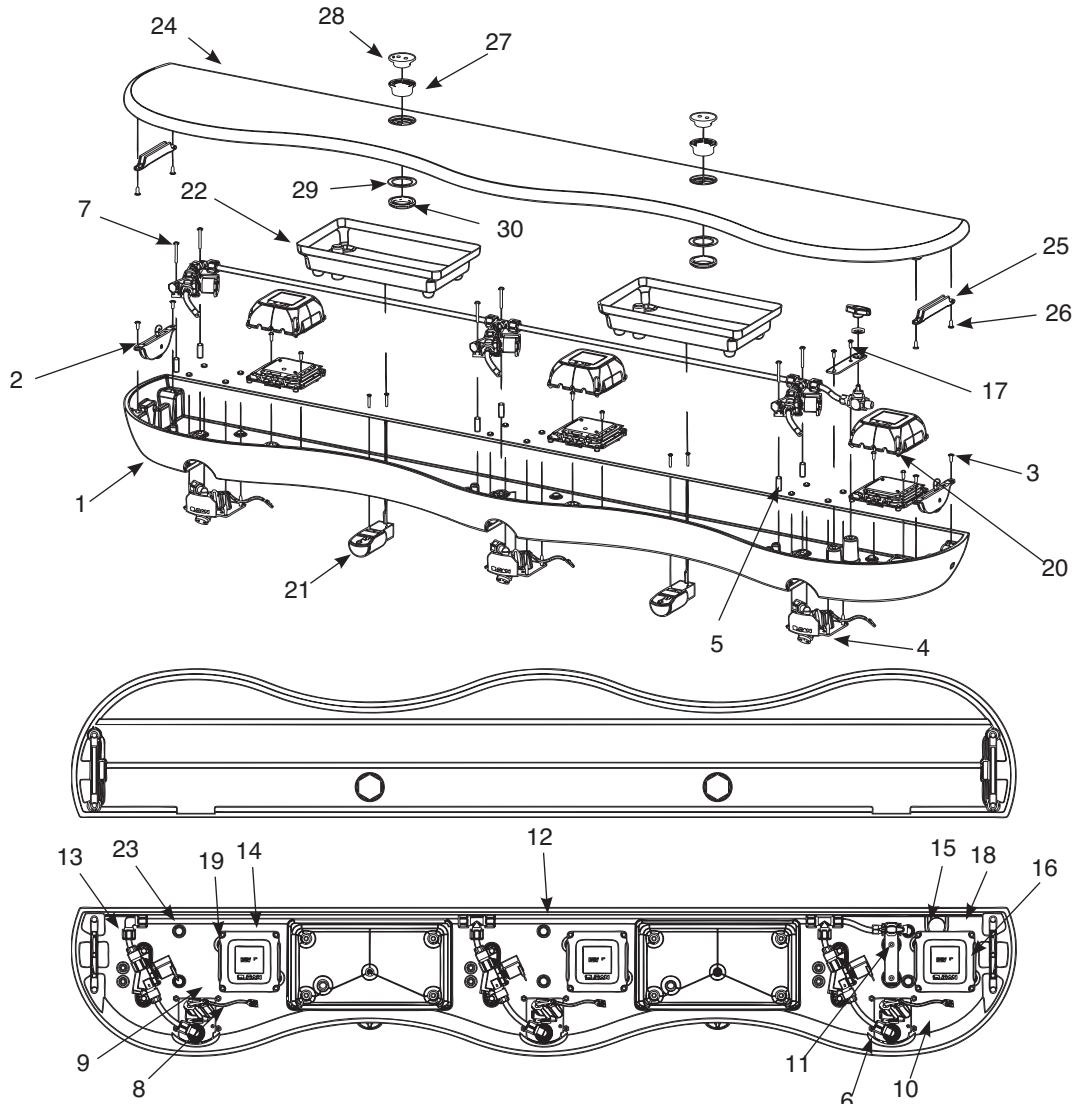
## SloanStone® EW-72000 Sink Cabinet and Basin Assembly



Item No.	Part No.	Description
1.	EW-20-A	Cabinet Weldment, 2 Station
2.	EW-99	U-Type Nut Standard 1/4-20 Thread (6)
3.	EW-60	End Cap Right - Machined
4.	EW-52	End Cap Left - Machined
5.	EW-15	Screw, Pan Head 1/4-20 x 1/2" Long (SEMS) (4)
6.	EW-16	Screw, Pan Head 1/4-20 x 1" Long (SEMS) (4)
7.	EW-25	Front Panel, 2 Station

Item No.	Part No.	Description
1.	EW-44	Basin 2-Station Machined
2.	ETF-725-A	Grid Strainer Assembly (2)
3.	EW-15	Screw, Pan Head 1/4-20 x 1/2" Long (SEMS) (6)
4.	EW-61	Overflow Cover Plate (2)
		— EW-98 Light Duty Buffing Pad (Not Shown)

# SloanStone® EW-73000 Sink Cabinet and Basin Assembly

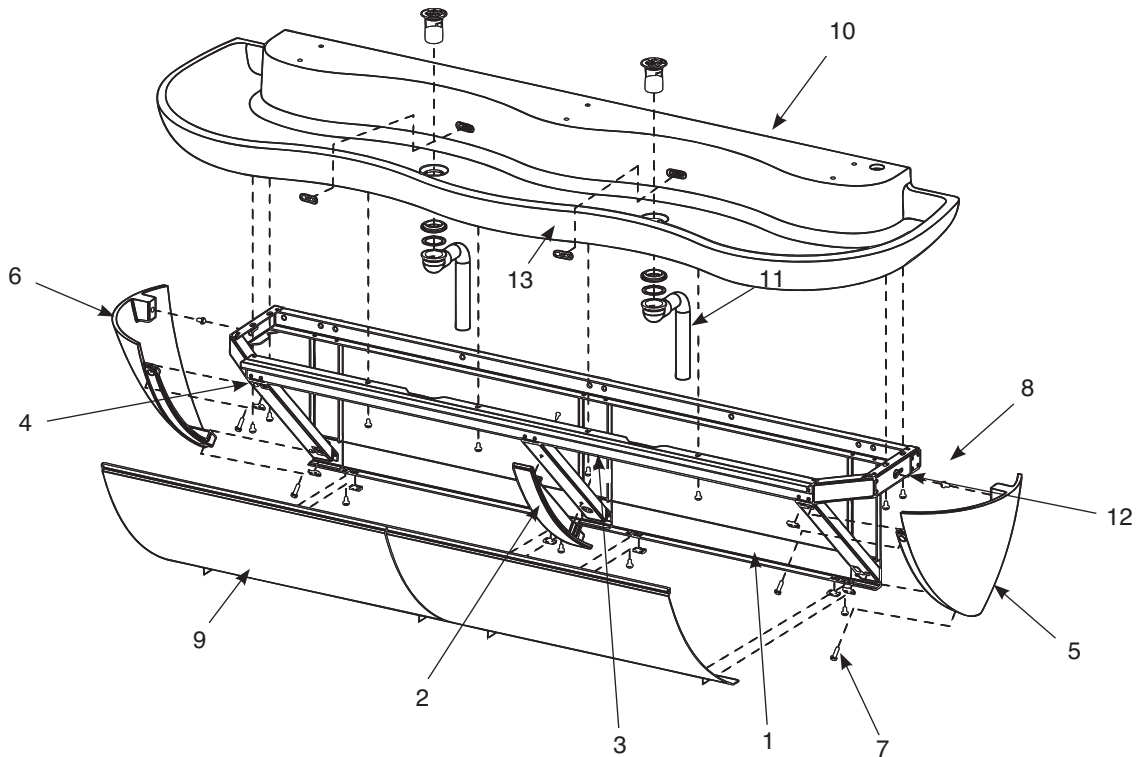


Item Part No. No.	Description
1.EW-56	Electronics Enclosure, 3 Station Machined
2.EW-41	Large Latch (2)
3.EW-27	Screw, Flat Head #10-24 x 1/2" Long (4)
4.EW-75-A	Sensor Plate Assembly (3)
5.EW-8	Spacer #8 x 1" Long (6)
6.EW-13	Mounting Clamp ETF-370-A Solenoid (6)
7.EW-9	Screw, Truss Head #8-32 x 1-1/2" Long (6)
8.ETF-61	Male Connector (6)
9.ETF-370-A	Solenoid Valve Assembly (3)
10.EW-89-00362	Tube 3/8" x 3-5/8" Long (3)
11.EW-89-00188	Tube 3/8" x 1-7/8" Long (3)
12.EW-19	Compression Tee Fitting 3/8" Tube (2)
13.EW-18	Compression Elbow Fitting 3/8" Tube
14.EW-89-02525	Tube 3/8" x 25-1/4" Long (2)
15.EW-89-00388	Tube 3/8" x 3-7/8" Long (1)
16.EW-5	Mounting Bracket for Shut-off Valve
17.EW-36	Screw, Pan Hd #8-32 x 7/16" Long (SEMS) (2)
18.EW-74	Panel Mount Ball Valve - 3/8" Compression Fitting
19.ETF-450-A	Splash Proof Junction Box Assembly (3)
20.EW-28	Screw, Round Head #8-32 x 1/2" Long (6)
21. † ESD-255-A	Manual Soap Pump Assembly (2)

Item Part No. No.	Description
22. † ESD-245-A	Soap Reservoir Assembly (2)
23. EW-37	Screw, Truss Head 1/4-20 x 1-1/2" Long (6) (Not Shown)
— EW-26	Tube Support 3/8" (7) (Not Shown)
— MIX-135-A	Thermostatic Mixing Valve (Below Deck) (Not Shown)
— EW-92-A	Wiring Harness 3 Station (Not Shown)
— ETF-233	Transformer (Not Shown)
— ETF-731	Vandal Proof Key, Standard and Junior (Not Shown)
— EW-97	Flexible Supply Hose, 3 Station (Not Shown)
— EW-96	T-Handle Hex Wrench 7/32" (Not Shown)
24. EW-58-X	Cover, Electronics Enclosure, 3 Station Machined
25. EW-42	Large Encased Receiver (2)
26. EW-27	Screw, Flat Head #10-24 x 1/2" Long (4)
27. ‡ ESD-242	Sleeve for Fill Cap (2)
28. ‡ ESD-241	Fill Cap for Soap Reservoir (2)
29. ‡ EW-11	Gasket for Fill Cap Sleeve (2)
30. ‡ ESD-243	Jam Nut for Fill Cap Sleeve (2)
— ‡ ESD-249	Fill Cap Spanner (Not Shown)

† Included on models with Soap Dispenser.  
‡ Included on models with Fill Cap.

# SloanStone® EW-73000 Sink Head Assembly



Item No.	Part No.	Description
1.	EW-30-A	Cabinet Weldment, 3 Station
2.	EW-50	Front Panel Support - Machined
3.	EW-36	Screw, Pan Head #8-32 x 7/16" Long (SEMS) (2)
4.	EW-99	U-type Nut, Standard 1/4-20 Thread (8)
5.	EW-60	End Cap Right - Machined
6.	EW-52	End Cap Left - Machined
7.	EW-16	Screw, Pan Head 1/4-20 x 1" Long (SEMS) (4)

Item No.	Part No.	Description
8.	EW-15	Screw, Pan Head 1/4-20 x 1/2" Long (SEMS) (2)
9.	EW-35	Front Panel, 3 Station (2)
10.	EW-54	Triple Station Lavatory Basin Assembly
11.	ETF-725-A	Grid Strainer Assembly (2)
12.	EW-15	Screw, Pan Head 1/4-20 x 1/2" Long (SEMS) (8)
13.	EW-61	Overflow Cover Plate (2)
—	EW-98	Light Duty Buffing Pad (Not Shown)

## Troubleshooting Guide

1.No water flows when sensor is activated  
Ensure that main power supply is turned "ON." Check receptacle, transformer, solenoid, leads and connections.

If Sensor LED does not blink:

- A. Control module circuit board is faulty; replace.
- B. Sensor is faulty; replace sensor module.

If Sensor LED blinks when user is sensed:

- A. Supply Stop(s) may be closed; open Supply Stop(s).
- B. Debris may be in Solenoid filter; remove, clean and reinstall.

2.Very low flow or slow dribble

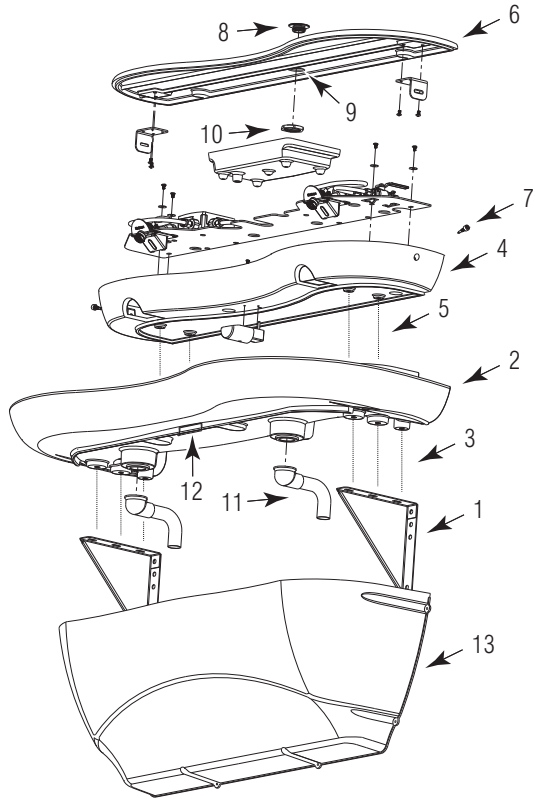
- A. Supply Stop(s) may be closed; open Supply Stop(s).
- B. Debris is in solenoid, won't close properly; remove operator and clean. Reassemble in the same manner.
- C. Debris is in Solenoid filter; remove, clean and reinstall.
- D. Debris is in spray head; remove, clean and reinstall.

3.Continues to run (even after power to faucet has been disconnected)

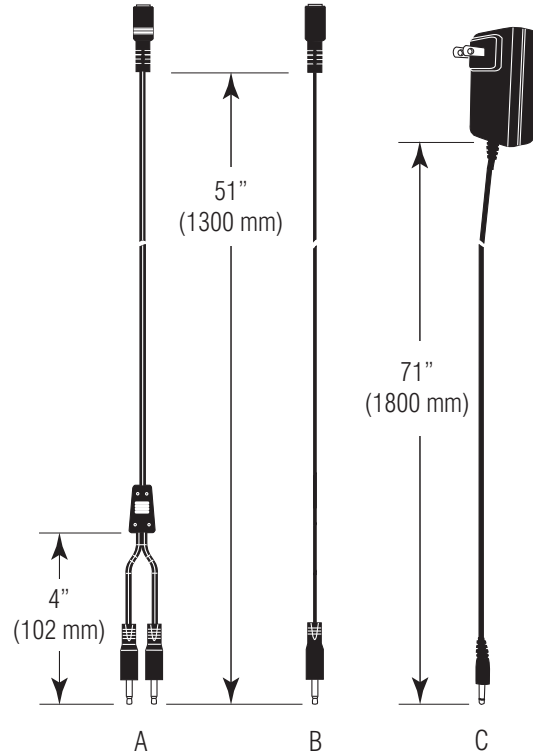
- A. Solenoid valve is installed backwards; install correctly.
- B. Debris is in solenoid, won't close properly; remove operator and clean. Reassemble in the same manner.

# SloanStone® EW-62000 Sink

## Top Level Assembly



### EW-62000 Double Station Cables



Item No.	Part No.	Description
1.	EW-122	Mounting Bracket (2)
2.	EW-129	Basin
3.	ELC-41	Screw, Machine Truss Head 1/4-20 (6)
4.	EW-135-A	Head
†	EW-142-A	Head with Manual Soap Dispenser
5.	EW-37	Screw, Truss Head 1/4-20 x 1-1/2" Long (4)
6.	EW-130-A	Cover
‡	EW-138-A	Cover with Fill Cap
7.	EW-115	Cover Attachment Screw
8. ‡	ESD-241	Fill Cap for Soap Reservoir
9. ‡	ESD-242	Sleeve for Fill Cap
10. ‡	ESD-243	Jam Nut for Fill Cap Sleeve
11.	ETF-725-A	Grid Strainer Assembly (2)
12.	EW-127	Velcro® Strip (Hook)
13.	EW-105	Plastic Cabinet
—	MIX-19	Supply Hose (Not Shown)
—	EW-96	T-Handled Wrench (Not Shown)
—	EW-128	Velcro® Strip (Loop) (Not Shown)
— ‡	ESD-249	Fill Cap Spanner (Not Shown)
—	EW-98	Light Duty Buffing Pad (Not Shown)
—	EW-108	General Purpose Buffing Pad (Not Shown)
†	EW-141	Spacers (Not Shown)

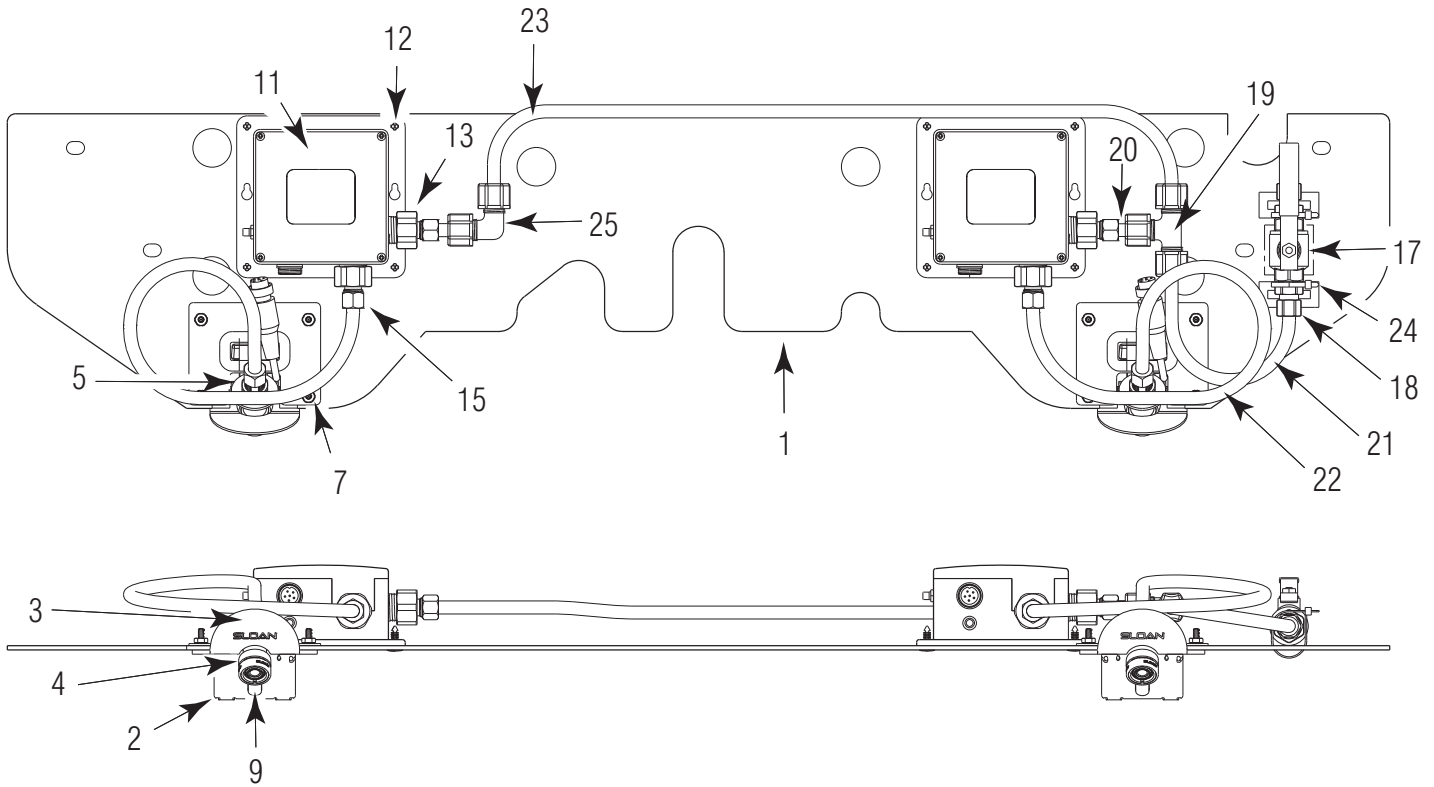
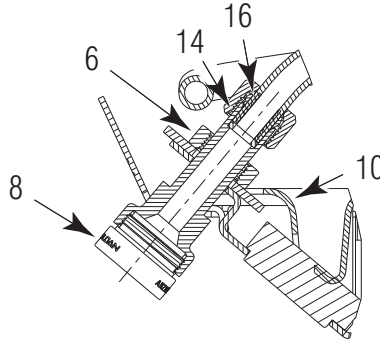
† Included on models with Soap Dispenser

‡ Included on models with Fill Cap

Item No.	Part No.	Description
A.	SFP-38	Cable Splitter
B.	SFP-37	Cable Extension
C.	SFP-36	Transformer

**SloanStone® EW-62000 Sink**

**Electronic Components**

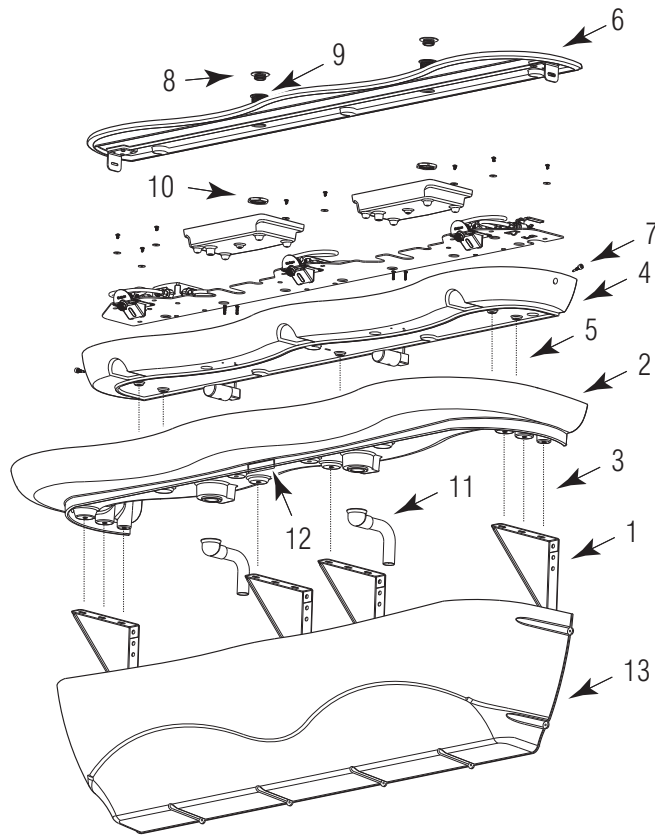


Item No.	Part No.	Description
1.	EW-113	Component Mounting Plate, 2 Station
2.	EW-119	Sensor Housing
3.	EW-100-A	Sensor Base Plate Assembly
4.	EW-112	Spout Adapter
5.	EW-140	Washer, 9/16"
6.	MIX-69	Hex Nut
7.	EW-14	Nut #8-32 (KEPS)
8.	ETF-723	Spray Head 0.5 gpm (1.9 Lpm) Vandal Proof
9.	SFP-41-A	Sensor with Range Adjustment Kit
10.	EW-120	Sensor Backing Piece
11.	SFP-40	Control Box with Button
12.	EW-116	Push-In Clip
13.	SFP-45-A	Inlet Adapter Kit

Item No.	Part No.	Description
14.	EW-26	Tube Support 3/8"
15.	ETF-209	Compression Nut
16.	ETF-208	Ferrule
17.	EW-118	Shut-Off Valve
18.	ETF-61	Male Connector
19.	EW-19	Compression Tee Fitting 3/8" Tube
20.	EW-89-1	Tube, 3/8" 1.56" (40 mm) Long
21.	EW-89-6	Tube, 3/8" 8.19" (208 mm) Long
22.	EW-89-7	Tube, 3/8" 17.50" (445 mm) Long
23.	EW-89-10	Tube, 3/8" 24.75" (629 mm) Long
24.	ETF-198	Tie Wrap
25.	EW-18	Compression Elbow Fitting 3/8" Tube
—	ELC-17	Bond Tape (Not Shown)

**SloanStone® EW-63000 Sink**

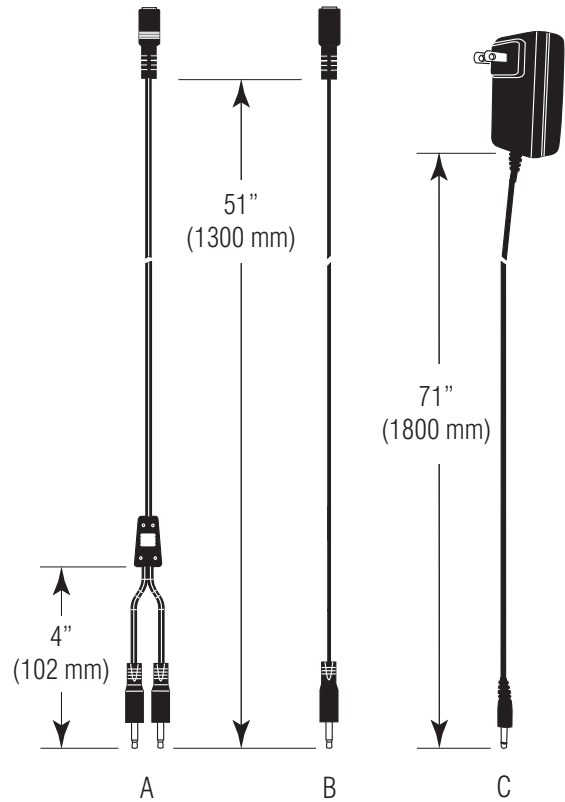
**Top-Level Assembly**



Item No.	Part No.	Description
1.	EW-122	Mounting Bracket (4)
2.	EW-134	Basin
3.	ELC-41	Screw, Machine Truss Head 1/4-20 (8)
4.	EW-136-A	Head
†	EW-143-A	Head with Manual Soap Dispenser
5.	EW-37	Screw, Truss Head 1/4-20 x 1-1/2" Long (5)
6.	EW-137-A	Cover
‡	EW-139-A	Cover with Fill Cap
7.	EW-115	Cover Attachment Screw (2)
8.	‡ ESD-241	Fill Cap for Soap Reservoir
9.	‡ ESD-242	Sleeve for Fill Cap
10.	‡ ESD-243	Jam Nut for Fill Cap Sleeve
11.	ETF-725-A	Grid Strainer Assembly (2)
12.	EW-127	Velcro® Strip (Hook)
13.	EW-123	Plastic Cabinet
—	MIX-19	Supply Hose (Not Shown)
—	EW-96	T-Handled Wrench (Not Shown)
—	EW-128	Velcro® Strip (Loop) (Not Shown)
— ‡	ESD-249	Fill Cap Spanner (Not Shown)
—	EW-98	Light Duty Buffing Pad (Not Shown)
—	EW-108	General Purpose Buffing Pad (Not Shown)
†	EW-141	Spacers (Not Shown)

† Included on models with Soap Dispenser  
‡ Included on models with Fill Cap

**EW-63000 Double Station Cables**

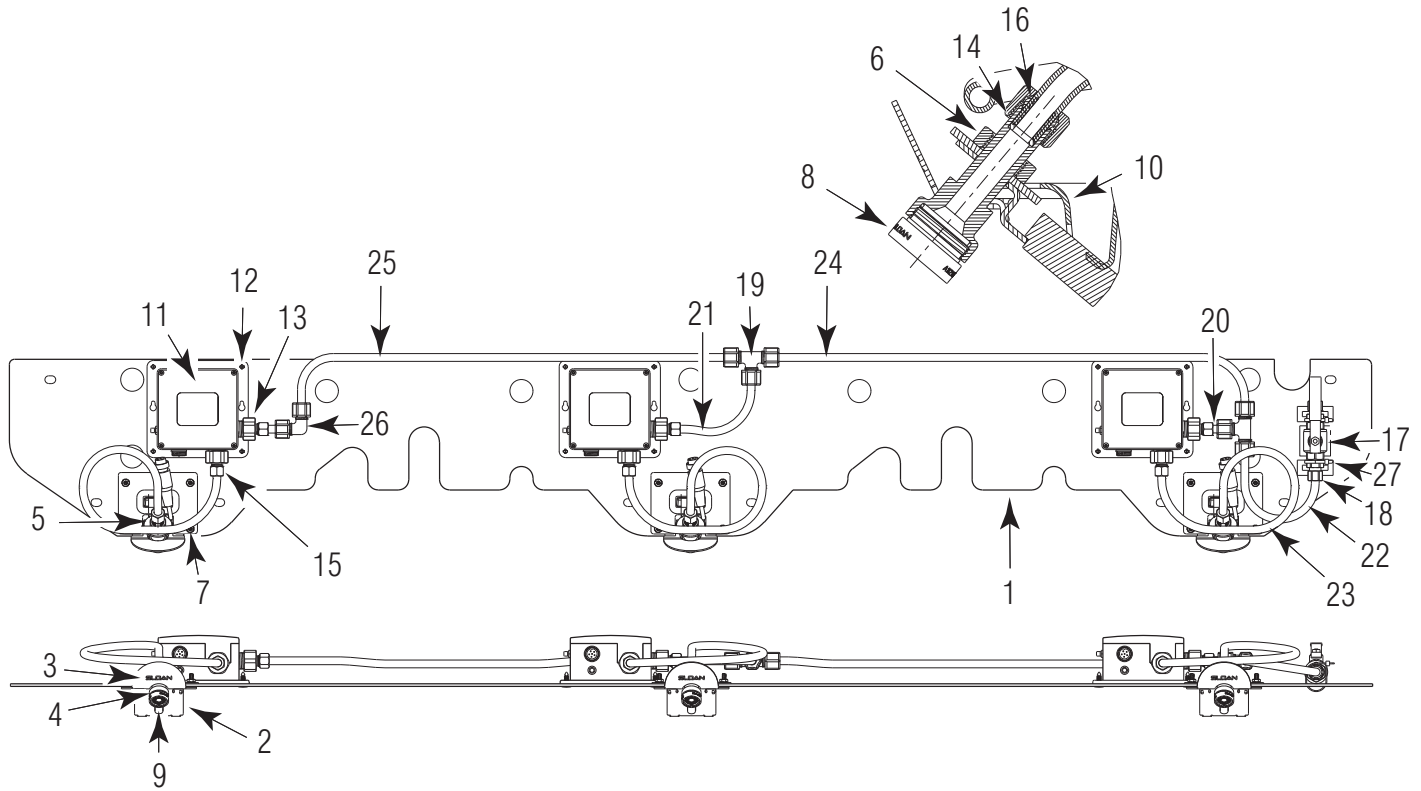


Item No.	Part No.	Description
A.	SFP-38	Cable Splitter
B.	SFP-37	Cable Extension
C.	SFP-36	Transformer



## SloanStone® EW-63000 Sink

### Electronic Components



Item No.	Part No.	Description
1.	EW-117	Component Mounting Plate, 3 Station
2.	EW-119	Sensor Housing
3.	EW-100-A	Sensor Base Plate Assembly
4.	EW-112	Spout Adapter
5.	EW-140	Washer, 9/16"
6.	MIX-69	Hex Nut
7.	EW-14	Nut #8-32 (KEPS)
8.	ETF-723	Spray Head 0.5 gpm (1.9 Lpm) Vandal Proof
9.	SFP-41-A	Sensor with Range Adjustment Kit
10.	EW-120	Sensor Backing Piece
11.	SFP-40	Control Box with Button
12.	EW-116	Push-In Clip
13.	SFP-45-A	Inlet Adapter Kit
14.	EW-26	Tube Support 3/8"

Item No.	Part No.	Description
15.	ETF-209	Compression Nut
16.	ETF-208	Ferrule
17.	EW-118	Shut-Off Valve
18.	ETF-61	Male Connector
19.	EW-19	Compression Tee Fitting 3/8" Tube
20.	EW-89-1	Tube, 3/8" 1.56" (40 mm) Long
21.	EW-89-5	Tube, 3/8" 6.75" (172 mm) Long
22.	EW-89-6	Tube, 3/8" 8.19" (208 mm) Long
23.	EW-89-7	Tube, 3/8" 17.50" (445 mm) Long
24.	EW-89-9	Tube, 3/8" 25.75" (654 mm) Long
25.	EW-89-10	Tube, 3/8" 24.75" (629 mm) Long
26.	EW-18	Compression Elbow Fitting 3/8" Tube
27.	ETF-198	Tie Wrap
—	ELC-17	Bond Tape (Not Shown)

---

## SloanStone® EW-62000/63000 Sinks

### Troubleshooting

---

**1. Faucet delivers water in an uncontrolled manner.**

- A. Contact Sloan Valve Company Installation Engineering Department.

**2. Faucet does not deliver any water when Sensor is activated.****INDICATOR: Solenoid valve produces an audible “CLICK.”**

- A. Water supply stop(s) closed. Open water supply stop(s).
- B. Water strainer in control module is clogged. Close supply stops and remove water inlet line at control module. Remove, clean and reinstall strainer and water inlet line. Replace strainer if required.

**INDICATOR: Solenoid valve DOES NOT produce an audible “CLICK.”**

- A. Batteries low (battery powered models). Replace batteries.
- B. Power failure (transformer powered models). Check power supply.

**3. Faucet delivers only a slow flow or dribble when Sensor is activated.**

- A. Water supply stop(s) are partially closed. Completely open water supply stop(s).
- B. Water strainer in control module is clogged. Close supply stops and remove water inlet line at control module. Remove, clean and reinstall strainer and water inlet line. Replace strainer if required.
- C. Aerator is clogged. Remove, clean, and reinstall aerator. Replace aerator if required.
- D. Valve is defective. Contact Sloan Valve Company Installation Engineering Department (see below).

**4. Faucet does not stop delivering water or continues to drip after user is no longer detected.**

- A. Contact Sloan Valve Company Installation Engineering Department.

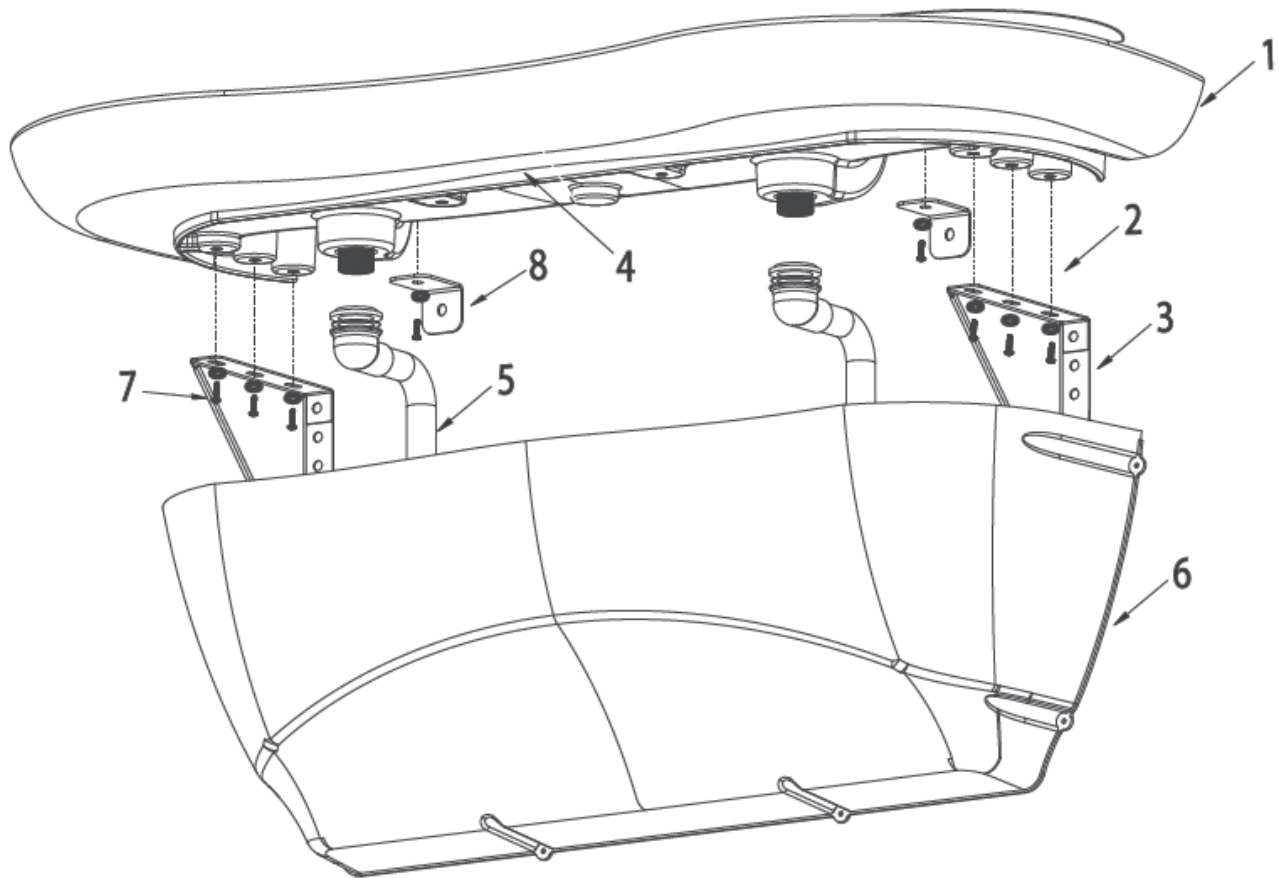
**5. The water temperature is too hot or too cold when connected to hot and cold supply lines.**

- A. Mixing Valve is not adjusted properly. Adjust Mixing Valve.

**6. Solenoid Valve does not produce an audible “CLICK” after plugging transformer into live receptacle (transformer powered models).**

- A. Unplug Transformer from receptacle. Wait one minute. Check that all connections to Control Modules are properly made. Plug Transformer back into live receptacle.

**SloanStone® ELS-62000 Sink**  
Cabinet and Basin Assemblies



Item No.	Part No.	Description
1.	SEE TABLE	Double Station Lavatory Basin Assembly
2.	ELC-41	Screw, Machine Truss Head 1/4-20 (8)
3.	EW-122	Mounting Bracket (2)

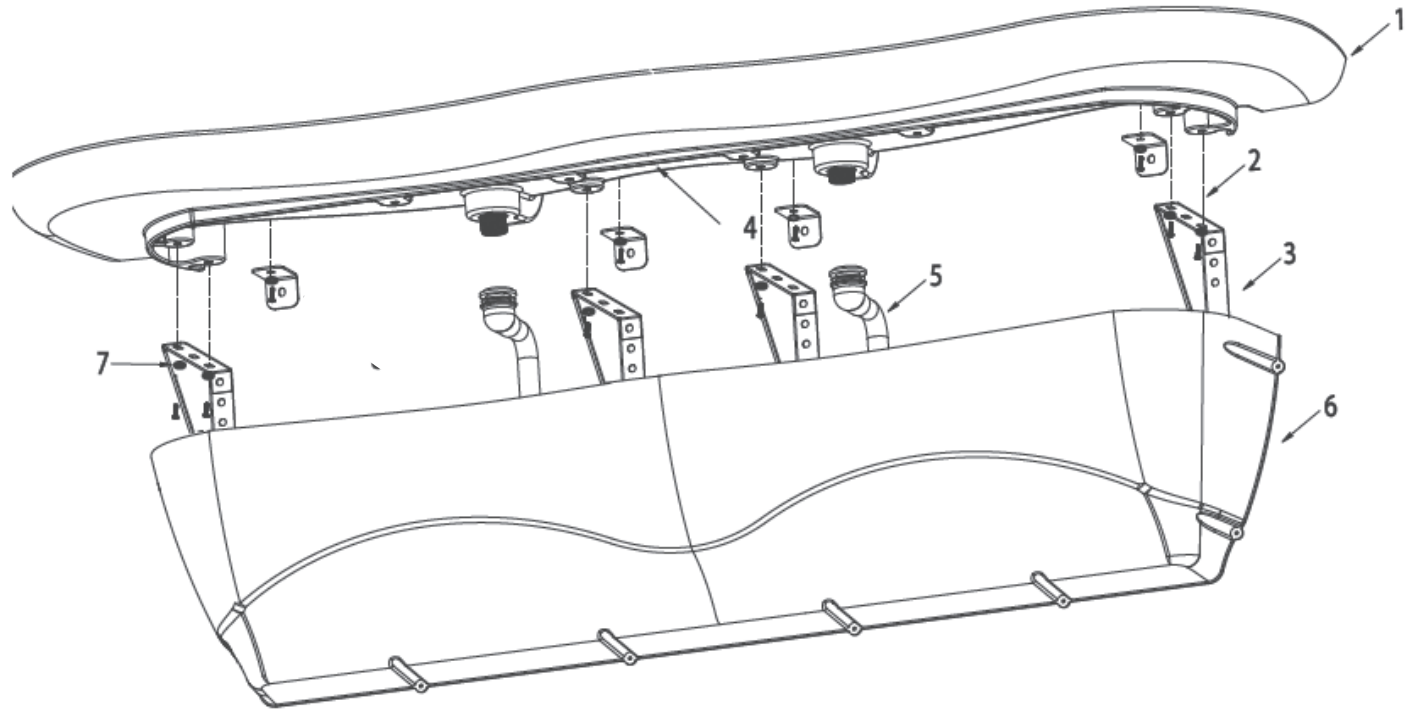
Item No.	Part No.	Description
4.	EW-127	Velco Strip (Hook)
5.	ETF-725-A	Grid Strainer Assembly (2)
6.	EW-105	Plastic Cabinet for Double Station Lavatory
7.	EW-157	Washers (8)
	EW-98	Light Duty Buffing Pad (Not Shown)
	EW-108	General Duty Buffing Pad (Not Shown)

**ITEM NO. 1 – Double Station Lavatory Basin Hole Patterns**

Hole Pattern	–	A	B	C	D
Part No.	ELS-9-A-XXX	ELS-9-A-XXX-A	ELS-9-A-XXX-B	ELS-9-A-XXX-C	ELS-9-A-XXX-D
Basin Hole Pattern					

**SloanStone® ELS-63000 Sink**

**Cabinet and Basin Assemblies**



Item No.	Part No.	Description
1.	SEE TABLE	Triple Station Lavatory Basin
2.	ELC-41	Screw, Machine Truss Head 1/4-20 (10)
3.	EW-122	Mounting Bracket (4)
4.	EW-127	Velcro Strip (Hook)

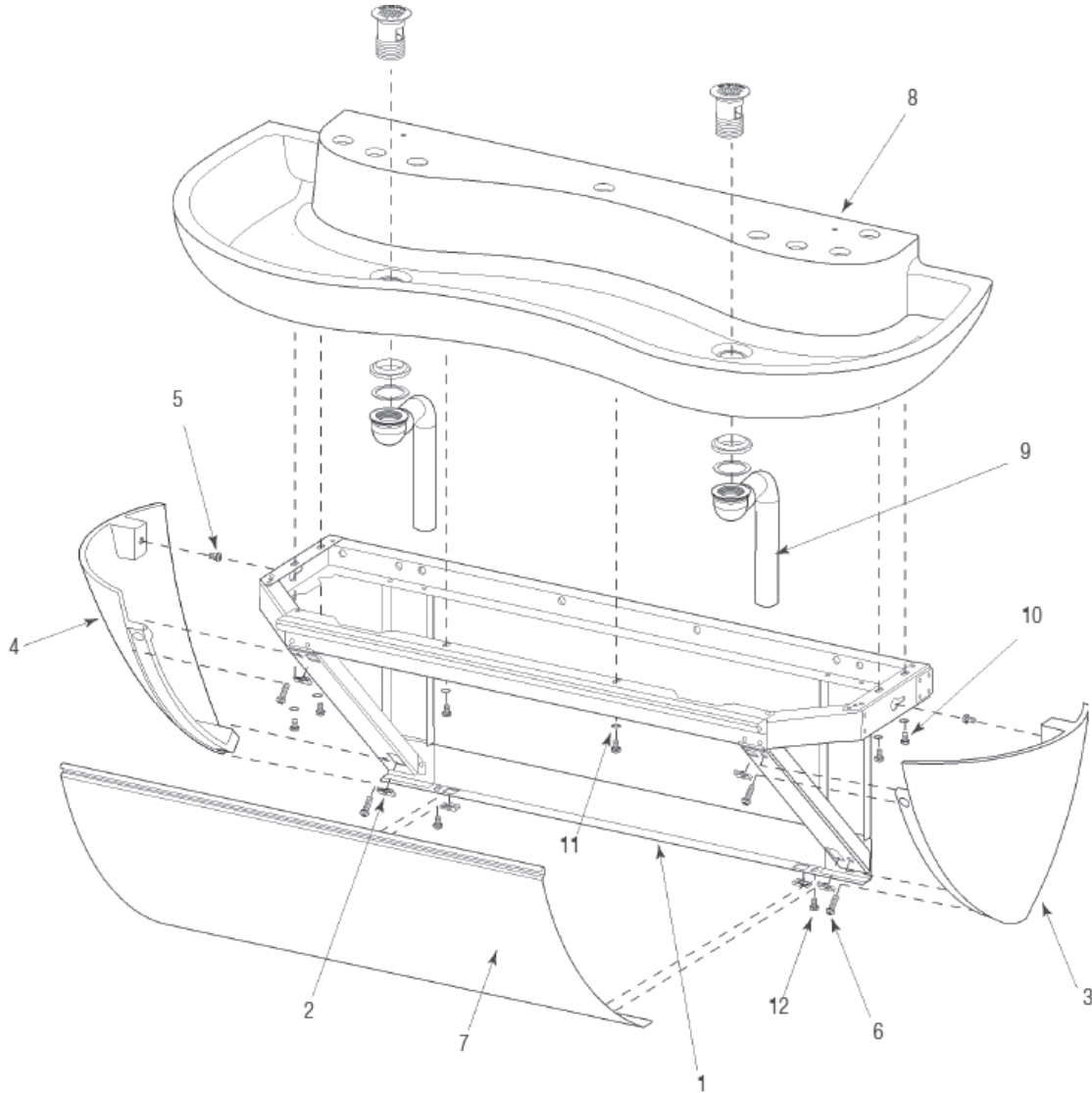
Item No.	Part No.	Description
5.	ETF-725	Grid Strainer Assembly (2)
6.	EW-123	Plastic Cabinet for Triple Station Lavatory
7.	EW-157	Washers (10)
—	EW-98	Light Duty Buffing Pad (Not Shown)
—	EW-108	General Duty Buffing Pad (Not Shown)

**ITEM NO. 10 – Triple Station Lavatory Basin Hole Patterns**

Hole Pattern	—	A	B	C	D
Part No.	ELS-11-A-XXX	ELS-11-A-XXX-A	ELS-11-A-XXX-B	ELS-11-A-XXX-C	ELS-11-A-XXX-D
Basin Hole Pattern					

# SloanStone® ELS-72000 Sink

## Cabinet and Basin Assemblies



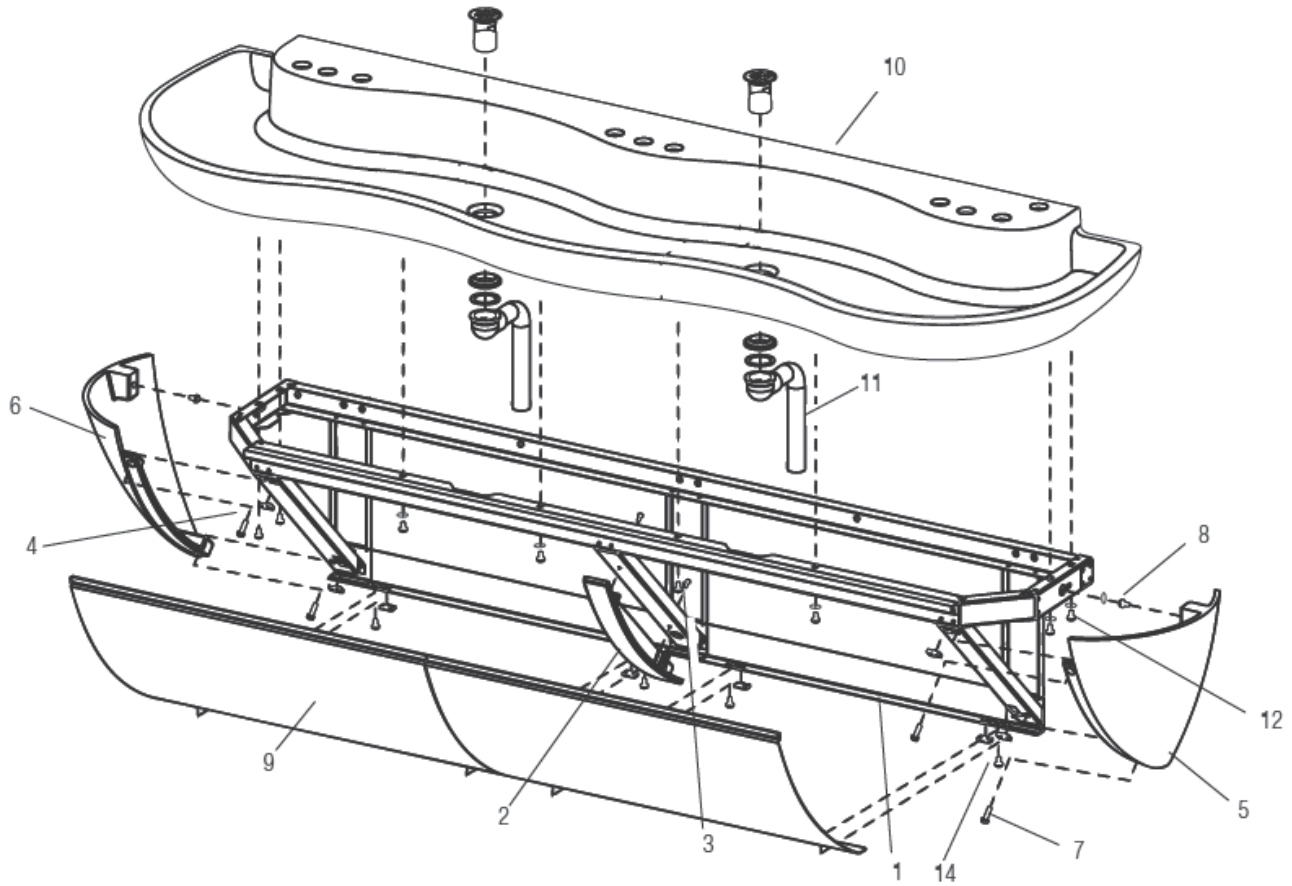
Item No.	Part No.	Description
1.	EW-20-A	Cabinet Weldment, 2 Station
2.	EW-99	U-Type Nut Standard 1/4-20 Thread (6)
3.	EW-60	End Cap Right-Machined
4.	EW-52	End Cap Left-Machined
5.	EW-15	Screw Pan Head 1/4-20 x 1/2" Long (SEMS) (2)
6.	EW-16	Screw Pan Head 1/4-20 x 1" Long (SEMS) (4)
7.	EW-25	Front Panel, 2 Station

Item No.	Part No.	Description
8.	SEE TABLE	Double Station lavatory Basin Assembly
9.	ETF-725-A	Grid Strainer Assembly (2)
10.	ELC-41	Screw, Truss Head 1/4 - 20 x 1/2" Long (6)
11.	EW-157	Washer (6)
12.	EW-15	Screw, Pan Head 1/4-20x1/2" Long (SEMS)(2)
	EW-98	Light Duty Buffing pad (Not Shown)
	EW-108	General Duty Buffing Pad (Not Shown)

### ITEM NO. 8 — Double Station Lavatory Basin Hole Patterns

Hole Pattern	—	A	B	C	D
Part No.	ELS-9-A-XXX	ELS-9-A-XXX-A	ELS-9-A-XXX-B	ELS-9-A-XXX-C	ELS-9-A-XXX-D
Basin Hole Pattern					

**SloanStone® ELS-73000 Sink**  
Cabinet and Basin Assemblies



Item No.	Part No.	Description
1.	EW-149	Cabinet Weldment, 3 Station
2.	EW-50	Front Panel Support-Machined
3.	EW-36	Screw Pan Head #8-32 x 7/16" Long (SEMS) (2)
4.	EW-99	U-Type Nut, Standard 1/4-20 Thread (8)
5.	EW-60	End Cap Right-Machined
6.	EW-52	End Cap Left-Machined
7.	EW-16	Screw Pan Head 1/4-20 x 1" Long (SEMS) (4)
8.	EW-15	Screw Pan Head 1/4-20 x 1/2" Long (SEMS) (2)

Item No.	Part No.	Description
9.	EW-155	Front Panel, 3 Station (2)
10.	SEE TABLE	Triple Station Lavatory Basin Assembly
11.	ETF-725-A	Grid Strainer Assembly (2)
12.	ELC-41	Screw, Truss Head 1/4-20 x 1/2" Long (8)
13.	EW-157	Washer (8)
14.	EW-15	Screw Pan Head 1/4-20 x 1/2" Long (SEMS) (4)
	EW-98	Light Duty Buffing Pad (Not Shown)
	EW-108	General Duty Buffing Pad (Not Shown)

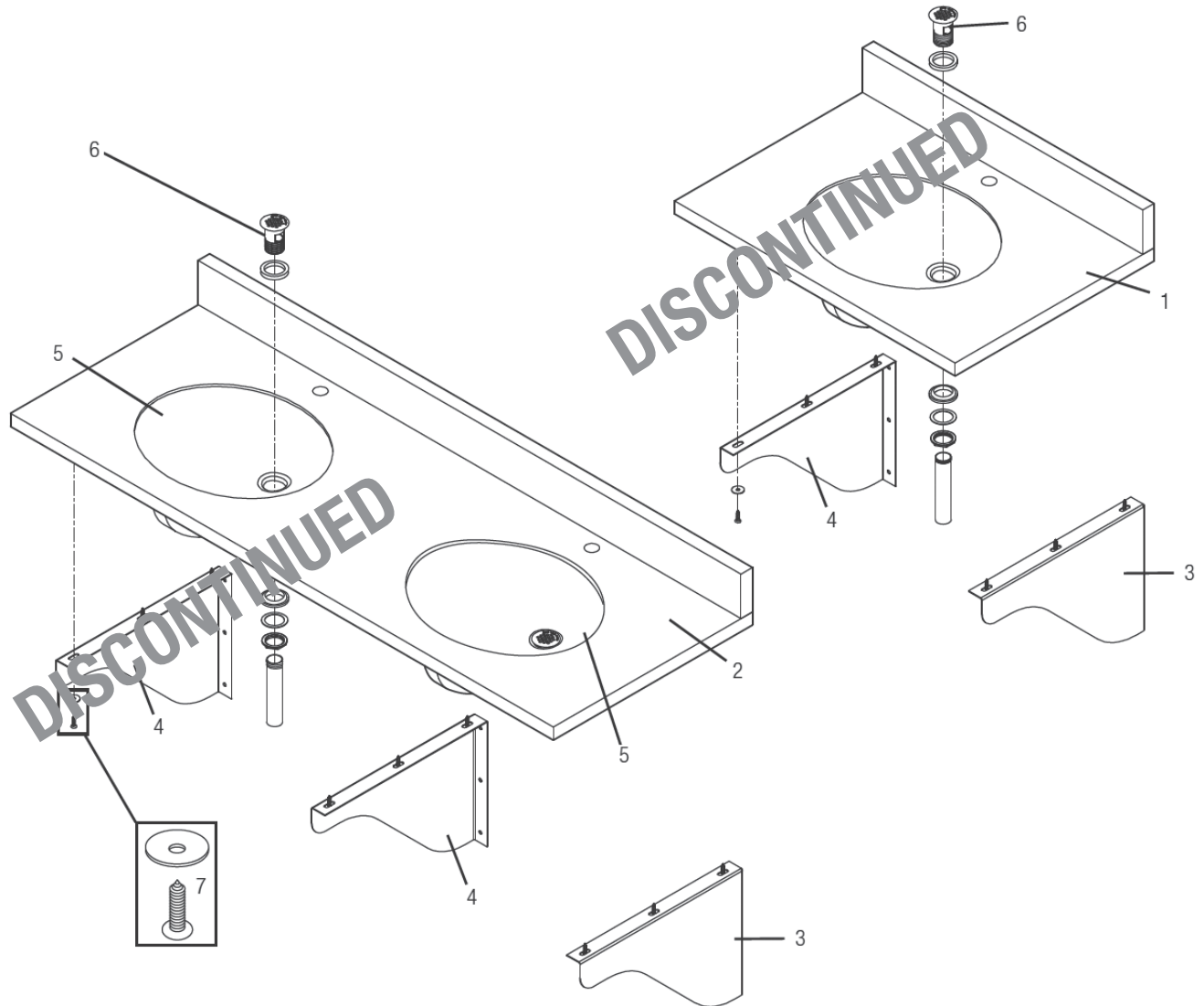
Hole Pattern	—	A	B	C	D
Part No.	ELS-11-A-XXX	ELS-11-A-XXX-A	ELS-11-A-XXX-B	ELS-11-A-XXX-C	ELS-11-A-XXX-D

**Basin Hole Pattern**





**BIO DECK ELB-51000/ELB-52000 Sinks**  
**DISCONTINUED**



Item No.	Part No.	Description
1.	ELB-51000	Bio-Deck Surface-Single Station
2.	ELB-52000	Bio-Deck Surface-Double Station
3.	ELB-3	Right Mounting Bracket (Optional)
4.	ELB-4	Left Mounting Bracket (Optional)

Item No.	Part No.	Description
5.	SS-7	Vitreous China Undermount Sink
9.	ETF-460-A	Grid Strainer Assembly
10.	ELB-7-A	Mounting Hardware includes 1/4" Fender Washer and 1/4" x 1" Sheet Metal Screw Sloan Faucet Model Varies

## BIO DECK ELB-51000/ELB-52000 Sinks DISCONTINUED

### TROUBLESHOOTING GUIDE

Refer to appropriate faucet pages in Maintenance Guide.

#### 1. No water flows when sensor is activated

Ensure that main power supply is turned "ON." Check receptacle, transformer, batteries (battery powered models), solenoid, leads and connections.

INDICATOR: If Sensor LED does not blink:

- A. Control module circuit board is faulty; replace.
- B. Sensor is faulty; replace sensor module.

INDICATOR: If Sensor LED blinks when user is sensed:

- A. Supply Stop(s) may be closed; open Supply Stop(s).
- B. Debris may be in Solenoid filter; remove, clean and reinstall.

#### 2. Very low flow or slow dribble

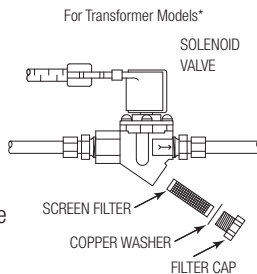
- A. Supply Stop(s) may be closed; open Supply Stop(s).
- B. Debris is in solenoid, won't close properly; remove operator and clean. Reassemble in the same manner.
- C. Debris may be in Solenoid filter; remove, clean and reinstall.
- D. Debris is in aerator; remove, clean and reinstall.

#### 3. Continues to run (even after power to faucet has been disconnected)

- A. Solenoid valve is installed backwards; install correctly.
- B. Debris is in solenoid, won't close properly; remove operator and clean. Reassemble in the same manner.

#### Solenoid Screen Filter Cleaning

- A. Before cleaning the Screen Filter, turn off the water supply at supply stop(s).
- B. Activate the Faucet to relieve any pressure in the system.
- C. Unscrew the Filter Cap and remove it from the Solenoid Valve Housing.
- D. Carefully remove the Screen Filter from the Solenoid Valve Housing.
- E. Clean the Screen Filter using fresh tap water only. If necessary, use a small brush to clean. Use caution while cleaning to prevent damage to Screen Filter.
- F. Examine the Copper Washer or O-ring for wear or damage; replace if necessary. Carefully replace the Screen Filter into Filter Cap. Screw the Filter Cap with Copper Washer or O-ring into Solenoid Valve Housing and tighten securely to prevent leaks.
- G. Turn on the water supply at the supply stop(s). Activate the Faucet to purge any air from the system lines. Check for leaks and repair as necessary.



#### SloanStone® Solid Surface Care

For normal cleaning, use warm, soapy water or conventional ammonia based liquid glass cleaner.

For dry stains, allow the soapy water or glass cleaner some time to re moisturize the area, then wipe the stain off.

To renew the surface after deep scratches or stains, use green, then maroon, and finally white 3M Scotch-Brite® pads to return the deck to a smooth 1200 grit wet-sanded finish.

If the dry stain is neither water-based nor oil-based, gently scrape the stain off with a plastic material (i.e. a plastic knife), and then proceed with the aforementioned normal cleaning procedures.

Wipe the entire surface evenly with a mild abrasive cleanser for regular maintenance.

#### Stainless Steel Care

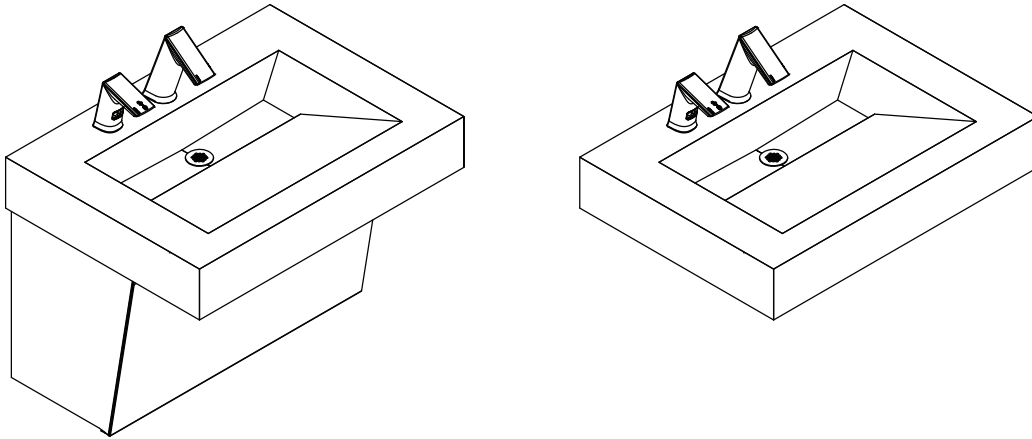
**Important:** When cleaning stainless steel, always rub in the same direction of the stainless steel finish lines, never across. After cleaning, always thoroughly rinse with water and dry all cleaned stainless steel areas to prevent buildup of mineral deposits.

Clean stainless steel surfaces often using warm, soapy water.

For more stubborn deposits, use baking soda, borax or any of several non-abrasive commercial cleansing agents. Do not leave chlorides found in most cleansing agents for extended periods of time on the surfaces as they may attack stainless steel. If an abrasive cleaning tool is needed, always use stainless steel wool, stainless steel pads, or stainless steel brushes. Do not use ordinary steel wool, pads or brushes because they have a tendency to break apart and leave small particles which will rust on the stainless steel surfaces, giving the appearance that the stainless steel surfaces themselves are rusting. Do not use strong acidic or caustic cleaners or cleansers because they may also attack the stainless steel surfaces. Maintain a regular cleaning schedule.

**When assistance is required, please contact  
Sloan Technical Support at: 1-888-SLOAN-14 (1-888-756-2614).**

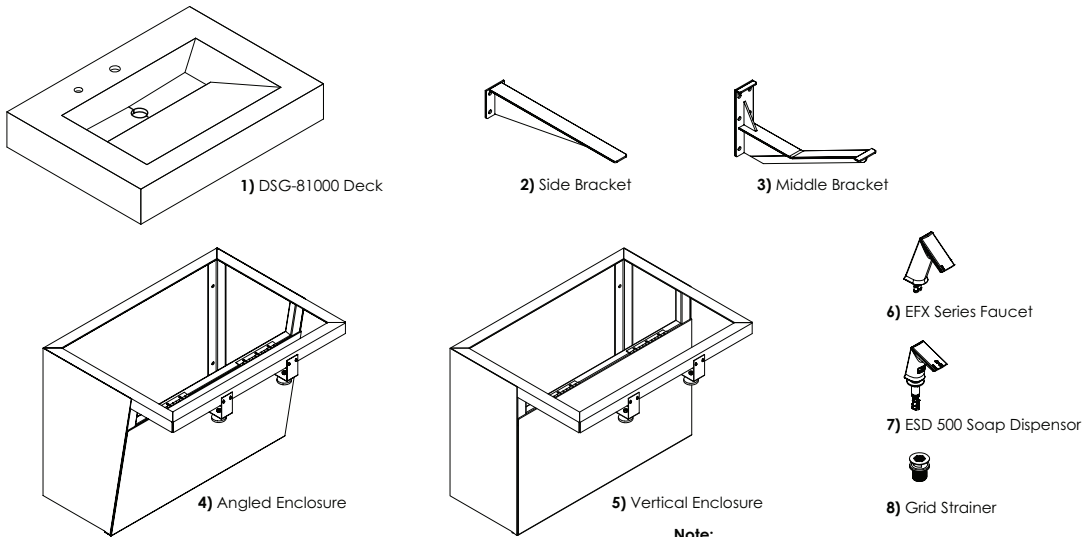
## Designer Series™ DSG-80000 and DSOF-80000 Sinks



### Sink Location

Determine the appropriate wall location for the Lavatory System. Consider that hot and cold water supply lines, a drain line, and an electrical source (receptacle for hardwired faucets and hand dryer) will be required. Compare the physical dimensions of the Lavatory System to the space available for the installation. If wall is not load bearing, a carrier may be required behind the wall. Refer to the appropriate Rough-in diagrams for Lavatory System dimensions. Prior to Lavatory System installation, electric wiring, water supply and drain must be installed.

### DSG-81000, One Station Components

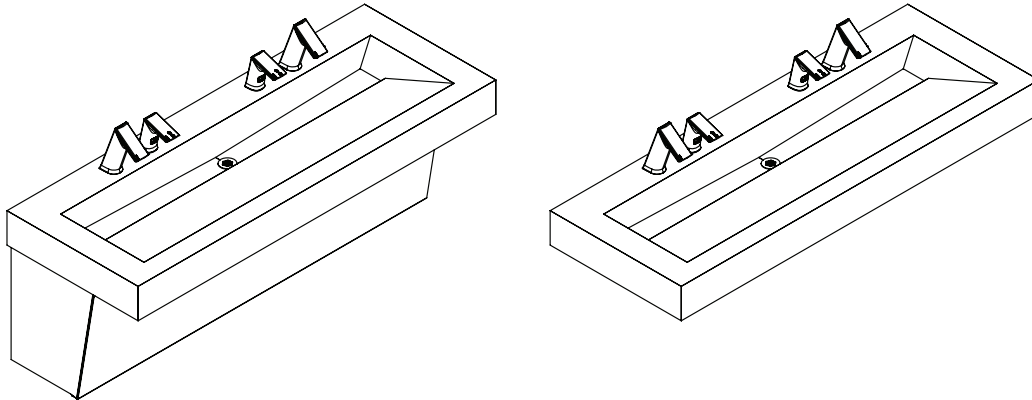


**Note:**  
Faucet and Soap dispenser models shown for reference, actual units will depend on what was selected at order entry.

### DSG-81000, One Station Component List

Description	Item Number	Quantity
Designer Series Gradient, One Station, Deck	1	1
Side Bracket (Mounting Option)	2	2
Middle Bracket (Mounting Option, not required for single station)	3	0
Angled Enclosure with Hold Open Door (Mounting Option)	4	1
Vertical Enclosure with Hold Open Door (Mounting Option)	5	1
EFX Series Faucet	6	1
Basys Style ESD 500 Soap Dispenser <b>Note:</b> If ESD-500 Selected – Area under the sink must be clear for proper installation access and soap bottle change (no outlets, stops, etc).	7	1
Grid Strainer	8	1

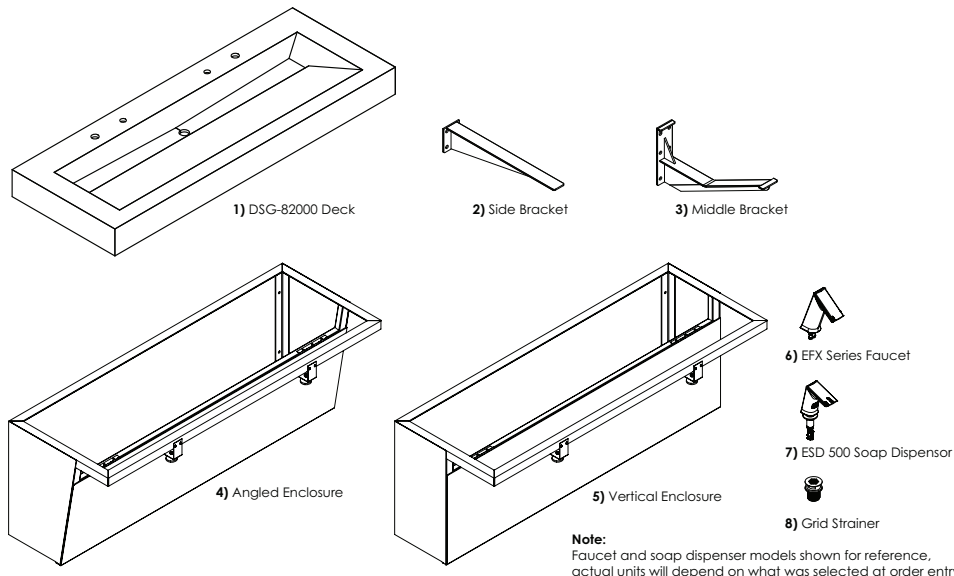
## Designer Series™ DSG-80000 and DSOF-80000 Sinks



### Sink Location

Determine the appropriate wall location for the Lavatory System. Consider that hot and cold water supply lines, a drain line, and an electrical source (receptacle for hardwired faucets and hand dryer) will be required. Compare the physical dimensions of the Lavatory System to the space available for the installation. If wall is not load bearing, a carrier may be required behind the wall. Refer to the appropriate Rough-in diagrams for Lavatory System dimensions. Prior to Lavatory System installation, electric wiring, water supply and drain must be installed.

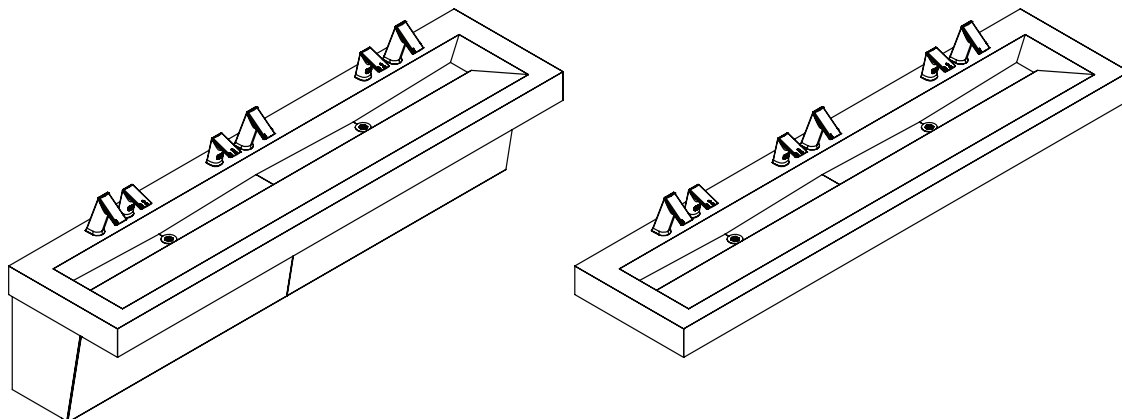
### DSG-82000, Two Station Components



### DSG-82000, Two Station Component List

Description	Item Number	Quantity
Designer Series Gradient, Two Station, Deck	1	1
Side Bracket (Mounting Option)	2	2
Middle Bracket (Mounting Option, not required for single station)	3	2
Angled Enclosure with Hold Open Door (Mounting Option)	4	1
Vertical Enclosure with Hold Open Door (Mounting Option)	5	1
EFX Series Faucet	6	2
Basys Style ESD 500 Soap Dispenser <b>Note:</b> If ESD-500 Selected – Area under the sink must be clear for proper installation access and soap bottle change (no outlets, stops, etc).	7	2
Grid Strainer	8	1

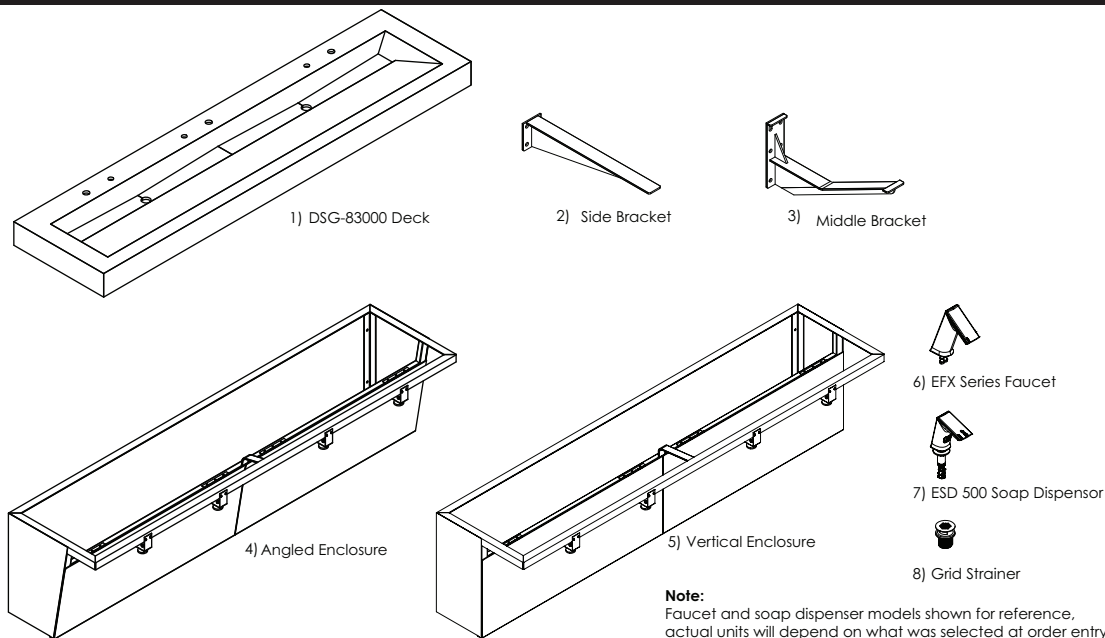
## Designer Series™ DSG-80000 and DSOF-80000 Sinks



### Sink Location

Determine the appropriate wall location for the Lavatory System. Consider that hot and cold water supply lines, a drain line, and an electrical source (receptacle for hardwired faucets and hand dryer) will be required. Compare the physical dimensions of the Lavatory System to the space available for the installation. If wall is not load bearing, a carrier may be required behind the wall. Refer to the appropriate Rough-in diagrams for Lavatory System dimensions. Prior to Lavatory System installation, electric wiring, water supply and drain must be installed.

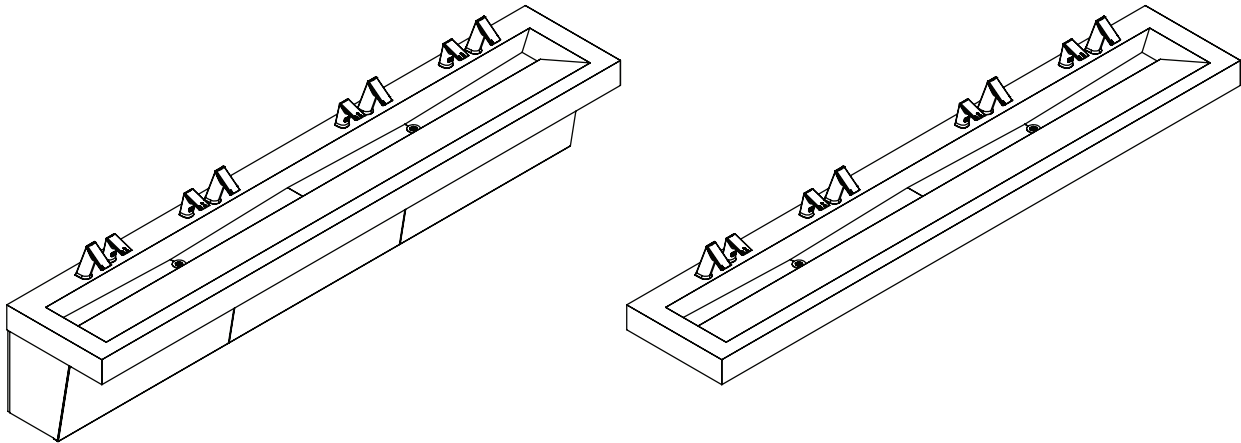
### DSG-83000, Three Station Components



### DSG-83000, Three Station Component List

Description	Item Number	Quantity
Designer Series Gradient, Three Station, Deck	1	1
Side Bracket ( <i>Mounting Option</i> )	2	2
Middle Bracket ( <i>Mounting Option, not required for single station</i> )	3	4
Angled Enclosure with Hold Open Door ( <i>Mounting Option</i> )	4	1
Vertical Enclosure with Hold Open Door ( <i>Mounting Option</i> )	5	1
EFX Series Faucet	6	3
Basys Style ESD 500 Soap Dispenser <b>Note:</b> If ESD-500 Selected – Area under the sink must be clear for proper installation access and soap bottle change (no outlets, stops, etc).	7	3
Grid Strainer	8	2

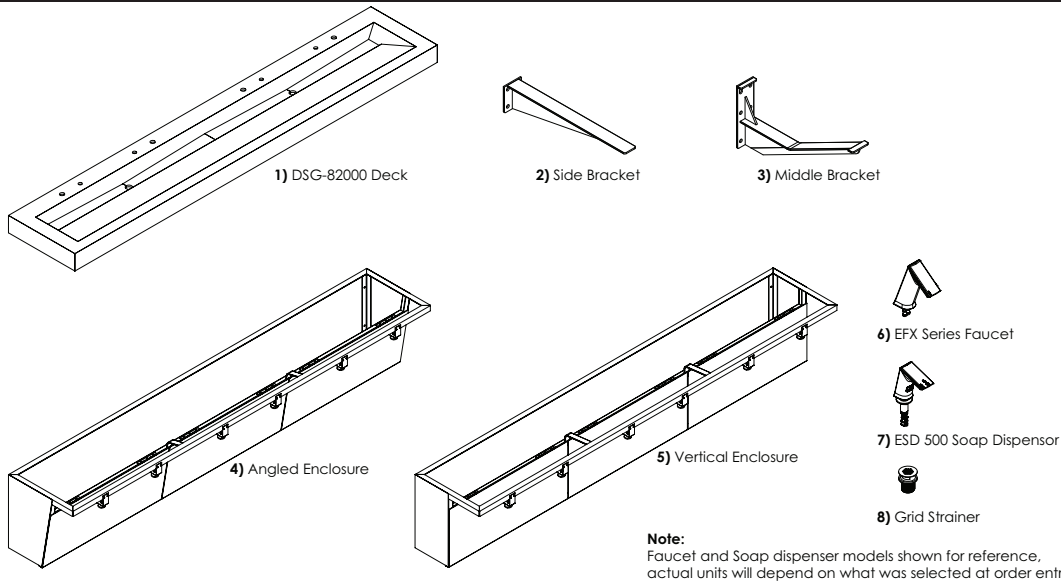
## Designer Series™ DSG-80000 and DSOF-80000 Sinks



### Sink Location

Determine the appropriate wall location for the Lavatory System. Consider that hot and cold water supply lines, a drain line, and an electrical source (receptacle for hardwired faucets and hand dryer) will be required. Compare the physical dimensions of the Lavatory System to the space available for the installation. If wall is not load bearing, a carrier may be required behind the wall. Refer to the appropriate Rough-in diagrams for Lavatory System dimensions. Prior to Lavatory System installation, electric wiring, water supply and drain must be installed.

### DSG-84000, Four Station Components



### DSG-84000, Four Station Component List

Description	Item Number	Quantity
Designer Series Gradient, Four Station, Deck	1	1
Side Bracket <i>(Mounting Option)</i>	2	2
Middle Bracket <i>(Mounting Option, not required for single station)</i>	3	6
Angled Enclosure with Hold Open Door <i>(Mounting Option)</i>	4	1
Vertical Enclosure with Hold Open Door <i>(Mounting Option)</i>	5	1
EFX Series Faucet	6	4
Basys Style ESD 500 Soap Dispenser <b>Note:</b> If ESD-500 Selected – Area under the sink must be clear for proper installation access and soap bottle change (no outlets, stops, etc).	7	4
Grid Strainer	8	2



## Designer Series™ DSG-80000 and DSOF-80000 Sinks

### TROUBLESHOOTING GUIDE

Refer to appropriate faucet pages in Maintenance Guide.

#### 1. No water flows when sensor is activated

Ensure that main power supply is turned "ON." Check receptacle, transformer, batteries (battery powered models), solenoid, leads and connections.

INDICATOR: If Sensor LED does not blink:

- A. Control module circuit board is faulty; replace.
- B. Sensor is faulty; replace sensor module.

INDICATOR: If Sensor LED blinks when user is sensed:

- A. Supply Stop(s) may be closed; open Supply Stop(s).
- B. Debris may be in Solenoid filter; remove, clean and reinstall.

#### 2. Very low flow or slow dribble

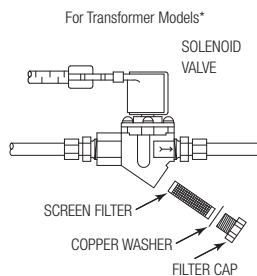
- A. Supply Stop(s) may be closed; open Supply Stop(s).
- B. Debris is in solenoid, won't close properly; remove operator and clean. Reassemble in the same manner.
- C. Debris may be in Solenoid filter; remove, clean and reinstall.
- D. Debris is in aerator; remove, clean and reinstall.

#### 3. Continues to run (even after power to faucet has been disconnected)

- A. Solenoid valve is installed backwards; install correctly.
- B. Debris is in solenoid, won't close properly; remove operator and clean. Reassemble in the same manner.

#### Solenoid Screen Filter Cleaning

- A. Before cleaning the Screen Filter, turn off the water supply at supply stop(s).
- B. Activate the Faucet to relieve any pressure in the system.
- C. Unscrew the Filter Cap and remove it from the Solenoid Valve Housing.
- D. Carefully remove the Screen Filter from the Solenoid Valve Housing.
- E. Clean the Screen Filter using fresh tap water only. If necessary, use a small brush to clean.  
Use caution while cleaning to prevent damage to Screen Filter.
- F. Examine the Copper Washer or O-ring for wear or damage; replace if necessary. Carefully replace the Screen Filter into Filter Cap. Screw the Filter Cap with Copper Washer or O-ring into Solenoid Valve Housing and tighten securely to prevent leaks.
- G. Turn on the water supply at the supply stop(s). Activate the Faucet to purge any air from the system lines. Check for leaks and repair as necessary.



**Material Description:** Corian Material is made from a blend of acrylic modified bio-based polyester resin. Engineered Stone is 90% natural quartz and polyester resin and is resistant to chemicals, stains, burns and impact. Surface damage can be easily repaired with everyday cleansers or fine grit abrasives.

**Routine Cleaning:** For regular cleaning, use standard commercial or household products such as Simple Green®, Creamy Cleanser brand, Formula 409® or Windex®.

**Stubborn Stains:** Remove tough stains, with non abrasive cleaners and pads such as a white Scotch Brite® pad and Lysol®. Special Situations for Corian and Engineered Stone

**Hard Water Deposits:** Remove hard water deposits with a mild solution of vinegar and water. Always rinse the unit thoroughly after cleaning.

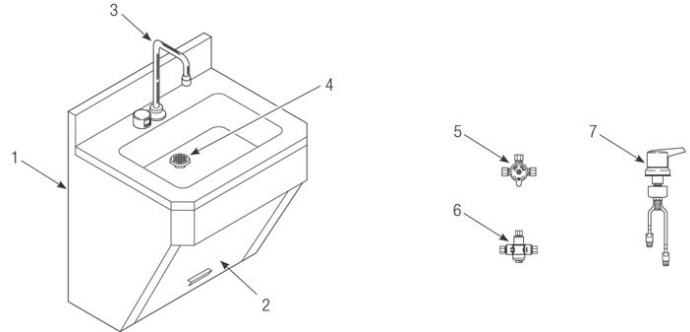
**Repair Kits:** Corian repair kits are available. Contact your Sloan Stone Sink Systems representative or distributor for part numbers and pricing. Repair kits are made to order and have a shelf life of 30 days. Engineered Stone shades of color can vary from product to product.

#### BRAND NAMES

Use of brand names is intended only to indicate a type of cleaner. This does not constitute an endorsement, nor does the omission of any brand name cleaner imply inadequacy. Many products named are regional in distribution, and can be found in local supermarkets, department and hardware stores, or through your cleaning service. It is emphasized that all products should be used in strict accordance with package instructions.

**When assistance is required, please contact  
Sloan Technical Support at: 1-888-SLOAN-14 (1-888-756-2614).**

**Stainless Steel EHS-1000 Sink**



Item Part No. No.	Description
1. _____	Sink Cabinet
2. _____	Access Panel
3. _____	Lavatory or Gooseneck Faucet Assembly†
4. _____	Grid Strainer Assembly
_____	Drain/P-Trap Assembly (not shown)
_____	Deluxe Triple Station Scrub Sink

Item No.	Description
MIX-60-A	Below Deck Mechanical Mixing Valve (Optional/BDM Variation)
MIX-135-A	Below Deck Thermostatic Mixing Valve (Optional/BDT Variation)
MIX-110-AA	Optimix® Deck Mounted Thermostatic Mixing Valve (Optional/ADM)
ETF-1009-A	Solenoid Valve Repair kit

## Stainless Steel EHS-1000 Sink

### TROUBLESHOOTING GUIDE

#### For Models:

**EHS-1080 Hand Washing Sink with ETF-80 Faucet**  
**EHS-1600 Hand Washing Sink with ETF-600 Faucet**  
**EHS-1660 Hand Washing Sink with ETF-660 Faucet**

Note: Remove Cover from Control Module to check diagnostic lights.

#### 1. PROBLEM: No water is delivered when Faucet is activated.

##### INDICATOR: If no LED lights illuminate:

CAUSE: No electricity is being supplied to Faucet.

SOLUTION: Ensure that the main power is turned "ON." Check all Transformer, Sensor, Solenoid and Cable Connections. Make sure that Transformer is supplying 24 VAC (Volts AC). If no voltage is detected, replace Transformer.

CAUSE: There is an electrical system malfunction.

SOLUTION: Reset electrical system. Unplug Sensor Connection. Disconnect power to circuit for ten (10) seconds. Reconnect.

##### INDICATOR: If the GREEN LED does NOT illuminate when power is reconnected:

CAUSE: There is an electrical system malfunction.

SOLUTION: Reset electrical system. Unplug Sensor Connection. Disconnect power to circuit for ten (10) seconds. Reconnect.

CAUSE: The Control Module circuit is "dead."

SOLUTION: Replace ETF-450-A Control Module.

##### INDICATOR: If GREEN LED illuminates AND changes to RED when hands are in the Sensor's detection zone AND the RED Solenoid LED illuminates:

CAUSE: Water supply stop(s) may be partially closed.

SOLUTION: Open supply stop(s) completely.

CAUSE: Debris is clogging Solenoid Filter.

SOLUTION: Shut off water supply. Remove, clean and reinstall Solenoid Filter.

##### INDICATOR: If GREEN LED illuminates AND changes to RED when hands are placed in the Sensor's detection zone AND the RED Solenoid LED flickers with a vibrating/clicking noise heard inside the module:

CAUSE: There is a direct short in the Solenoid or Solenoid Cable.

SOLUTION: Replace with ETF-370-A Solenoid.

##### INDICATOR: If GREEN/RED LED illuminates AND changes to RED when hands are NOT located in the Sensor's detection zone BUT the RED Solenoid LED (in upper left corner of circuit) does NOT illuminate:

CAUSE: Sensor range is set too long and is detecting the sink.

SOLUTION: Reduce Sensor detection range.

##### INDICATOR: If GREEN LED illuminates BUT does NOT change to RED when hands are placed in the Sensor's detection zone:

CAUSE: Sensor range is set too short.

SOLUTION: Increase Sensor detection range.

**EHS-1700 Hand Washing Sink with ETF-700 Faucet**  
**EHS-1770 Hand Washing Sink with ETF-770 Faucet**

#### 2. PROBLEM: Sensing Range is too short.

CAUSE: Extended Range Sensitivity is required.

SOLUTION: Dip Switch number 4 should be in the "DOWN" (Extended Range Sensitivity) position. Increase range by adjusting Range Potentiometer clockwise (yellow phillips screw in blue base).

CAUSE: Faucet has Surgical Bend Gooseneck Spout.

SOLUTION: For Long Range use (recommended for Surgical Bend Gooseneck Spout Faucet models), remove Range Jumper from upper right hand corner of Circuit Board. Adjust Range Potentiometer.

#### 3. PROBLEM: Faucet activates by itself (false triggers).

CAUSE: Sensor range is set too long.

SOLUTION: Decrease range by adjusting Range Potentiometer counterclockwise. If necessary, flip Dip Switch number 4 to the "UP" (Reduced Range Sensitivity) position. Check surroundings for factors that contribute to Sensor range detection problems (bright lights, highly reflective surfaces, sunlight, etc.).

#### 4. PROBLEM: Faucet delivers very low flow or just a dribble.

CAUSE: Water supply stop(s) may be partially closed.

SOLUTION: Open supply stop(s) completely.

CAUSE: Debris is clogging Solenoid Filter.

SOLUTION: Shut off water. Remove, clean, and reinstall Solenoid Filter.

CAUSE: Solenoid is worn or faulty.

SOLUTION: Rebuild with ETF-1009-A Solenoid Repair Kit or replace ETF-370-A Solenoid.

CAUSE: Debris is clogging Faucet Aerator or Spray Head.

SOLUTION: Shut off water. Remove Aerator or Spray Head (use Key if required). Clean and reinstall Aerator or Spray Head.

#### 5. PROBLEM: Faucet does not stop delivering water or continues to drip after user is no longer detected (even after power to the Module has been disconnected).

CAUSE: Solenoid Valve is installed backward.

SOLUTION: Disconnect Solenoid. Reconnect Solenoid with water flow toward the Faucet (see arrow on Solenoid).

CAUSE: Debris is clogging Solenoid.

SOLUTION: Remove and clean Solenoid Operator. If necessary, rebuild with ETF-1009-A Repair Kit.

CAUSE: Seat in Solenoid Valve body is damaged or pitted.

SOLUTION: Replace with ETF-370-A Solenoid.

## Stainless Steel EHS-1000 Sink

### TROUBLESHOOTING GUIDE

For Model:

**EHS-1750 Hand Washing Sink with EBF-750 Faucet**

Note: Remove Cover from Control Module to check diagnostic lights.

**1. PROBLEM: Sensor LED does not function (indicator light on sensor window in faucet spout does not flash during initial 10 minute set-up mode).**

CAUSE: There is no visible indicator light. Normal operation.

SOLUTION: This is a normal operating feature of the faucet.

**2. PROBLEM: Faucet does not deliver any water when Sensor is activated.**

**INDICATOR: Solenoid valve produces audible "CLICK."**

CAUSE: Water supply stop(s) closed.

SOLUTION: Open supply stop(s) completely.

**INDICATOR: Solenoid valve DOES NOT produce an audible "CLICK."**

CAUSE: Solenoid Lead is not properly connected to the Control Module.

SOLUTION: Disconnect and reconnect Solenoid Lead to Control Module.

CAUSE: No battery or Transformer power is being supplied to Sensor.

SOLUTION: Ensure that the batteries are installed properly. Check that the orientation of each battery matches the positive (+) and negative (—) symbols shown at bottom of battery compartment. Reinsert Batteries into Control Module. Transformer (optional) is unplugged or wall receptacle has no power.

CAUSE: Sensor Cable is not properly connected to the Control Module.

SOLUTION: Disconnect and reconnect Sensor Cable to Control Module.

CAUSE: Sensor range is set at minimum distance.

SOLUTION: Increase Sensor range.

CAUSE: Control Module assembly is defective.

SOLUTION: Replace Control Module assembly.

**3. PROBLEM: Faucet delivers only a slow flow or dribble when Sensor is activated.**

CAUSE: Water supply stop(s) partially closed.

SOLUTION: Open supply stop(s) completely.

CAUSE: Solenoid Filter is clogged.

SOLUTION: Remove, clean and reinstall Filter.

CAUSE: Aerator or Spray Head is clogged.

SOLUTION: Remove, clean and reinstall Aerator or Spray Head.

**4. PROBLEM: Faucet does not stop delivering water or continues to drip after user is no longer detected (automatic shut-off fails even when batteries are removed).**

CAUSE: Solenoid Valve has been connected backwards.

SOLUTION: Disconnect Solenoid Valve compression fittings at both the inlet and outlet positions. The water should flow from inlet through the Solenoid Valve to the outlet according to the direction of the arrow shown on the side of the Solenoid Valve. Reconnect the compression fittings in the correct orientation.

CAUSE: Solenoid Valve is dirty.

SOLUTION: Backflush by reversing water flow (opposite to the direction shown by the arrow on the side of the Solenoid Valve) through the Solenoid Valve. Reconnect the compression fittings in the correct orientation. Activate faucet.

**5. PROBLEM: The water temperature is too hot or too cold on a faucet connected to hot and cold supply lines with Bak-Chek® Tee.**

CAUSE: Supply stops are not adjusted properly.

SOLUTION: Adjust supply stops.

**NOTE: For some systems, a Thermostatic Mixing Valve may be required.**

**6. PROBLEM: Red LED turns on in the control module (below deck).**

CAUSE: One (or more) of the batteries is "dead."

SOLUTION: To ensure proper operation, insert four (4) new AA-size Alkaline batteries. Check that the orientation of each battery matches the positive (+) and negative (—) symbols shown on the bottom of the battery compartment. Reinsert Batteries into the Control Module.

**NOTE: Upon start-up mode (1st ten minutes) the control module circuitry tests the batteries and the Red LED turns on if the battery voltage is low. No Red LED light indicates normal battery voltage.**

**NOTE: If reset button is pressed (initiates start up mode/1st ten minutes), the battery voltage is checked. If voltage is too low, product is stopped from operating and Red LED will turn on. No Red LED light indicates normal battery voltage.**

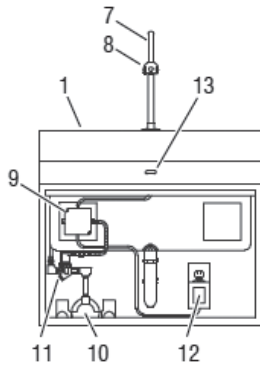
**7. PROBLEM: Green LED initially turns on in the control module (below deck) during start up mode, then will not appear again.**

CAUSE: For the 1st ten minutes of operation (batteries inserted or reset button pressed) the Green LED will turn on when there is a target present ( hands in front of sensor). After ten minutes, the Green LED will no longer turn on.

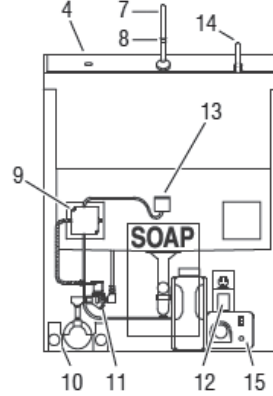
SOLUTION: This is a normal operating feature of the faucet.

**Stainless ESS-2000  
ESS-3000 Sinks**

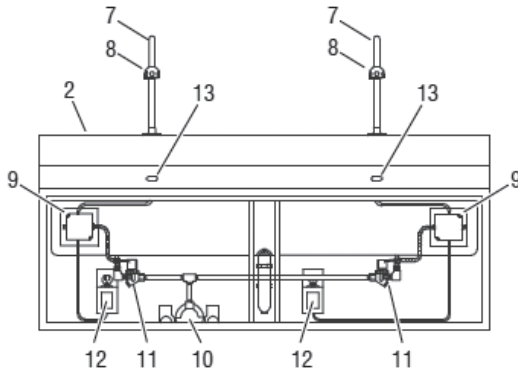
**ESS-2100 Single Station Scrub Sink**



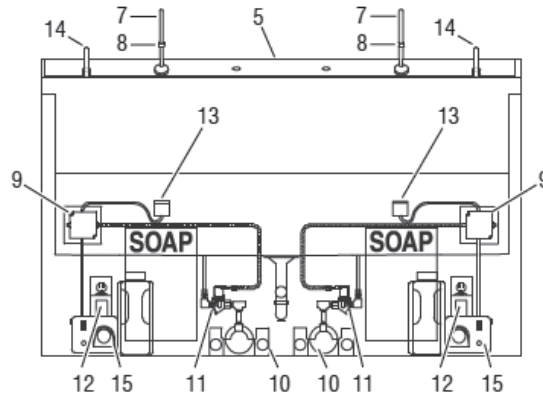
**ESS-3100 Deluxe Single Station Scrub Sink**



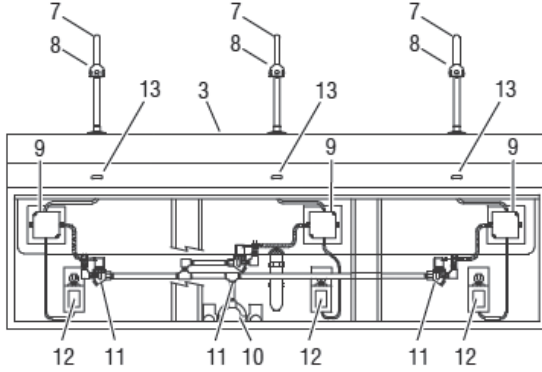
**ESS-2200 Double Station Scrub Sink**



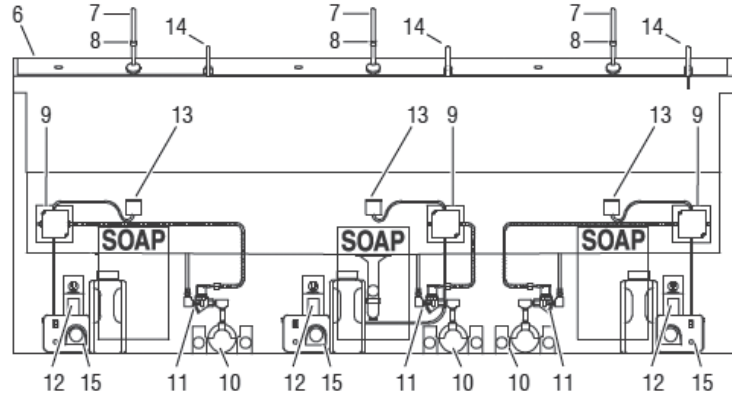
**ESS-3200 Deluxe Double Station Scrub Sink**



**ESS-2300 Triple Station Scrub Sink**



**ESS-3300 Deluxe Triple Station Scrub Sink**



Item No.	Part No.	Description
1.	ESS-2100	Single Station Scrub Sink
2.	ESS-2200	Double Station Scrub Sink
3.	ESS-2300	Triple Station Scrub Sink
4.	ESS-3100	Deluxe Single Station Scrub Sink
5.	ESS-3200	Deluxe Double Station Scrub Sink
6.	ESS-3300	Deluxe Triple Station Scrub Sink
7.	AC-93-A	Sloan Optima® Gooseneck Faucet-Surgical Bend
8.	ETF-237	Laminar Flow Spray Head, 2.2 gpm (8.3 Lpm) Max.
	AC-55-A	Shower Spray Head, 2.2 gpm (8.3 Lpm) Max.
9.	ETF-492-A	Control Module

Item No.	Part No.	Description
10.	MIX-70-A	Below Deck Thermostatic Mixing Valve
	MIX-110-A	Above Deck Mechanical Mixing Valve
	MIX-139-A	Above Deck Thermostatic Mixing Valve
11.	ETF-370-A	Solenoid Valve
12.	ETF-233	Plug-in Transformer
13.	EL-1500-LL-S	Sensor
14.	—	Soap Dispenser Spout
15.	—	Soap Dispenser Spout Pump and Reservoir

---

## Stainless ESS-2000 ESS-3000 Sinks

---

### Troubleshooting the Faucet

#### No water flows when sensor is activated

Ensure that main power supply is turned "ON." Open control module and check diagnostic lights. Check receptacle, transformer, solenoid, leads and connections. If no lights are illuminated:

1. Control module circuit board is faulty; replace.

#### If green LED is illuminated and red LED illuminates when user is sensed:

1. Supply Stop(s) may be closed; open Supply Stop(s).
2. Debris may be in Solenoid Filter; remove, clean and reinstall.

#### If green LED is illuminated and red LED DOES NOT illuminate when user is sensed:

1. Sensor range is too long (picking up sink); reduce range.
2. Sensor is faulty; replace Sensor Module.

#### Very low flow or slow dribble

1. Supply Stop(s) may be closed; open Supply Stop(s).
2. Debris in Solenoid; disassemble Solenoid; clean and flush.
3. Debris may be in Solenoid Filter; remove, clean and reinstall.
4. Debris is in Aerator or Spray Head; remove, clean and reinstall.

#### False triggering (unit activates by itself)

1. Sensor range is too long; reduce range. Check surroundings for factors that can contribute to sensor detection problems; for example, bright lights, highly reflective surfaces, sunlight, etc.

#### Continues to run (even after power to faucet has been disconnected)

1. Solenoid valve is installed backwards.
2. Debris is in Solenoid, won't close properly; remove operator and clean. Reassemble Troubleshooting the Soap Dispenser

#### Soap does not dispense from the spout.

1. Soap reservoir is empty. Check the soap reservoir and fill if necessary.
2. Soap dispenser is not plugged in. Plug the soap dispenser power cord into the wall receptacle.
3. Power is not supplied to the wall receptacle. Check to make sure that power is being supplied to the wall receptacle.

#### How does one keep soap from dispensing while cleaning.

1. Unplug the soap dispenser power cord from the wall receptacle.



## ESD-360 Series Top Fill Foam Soap Dispenser

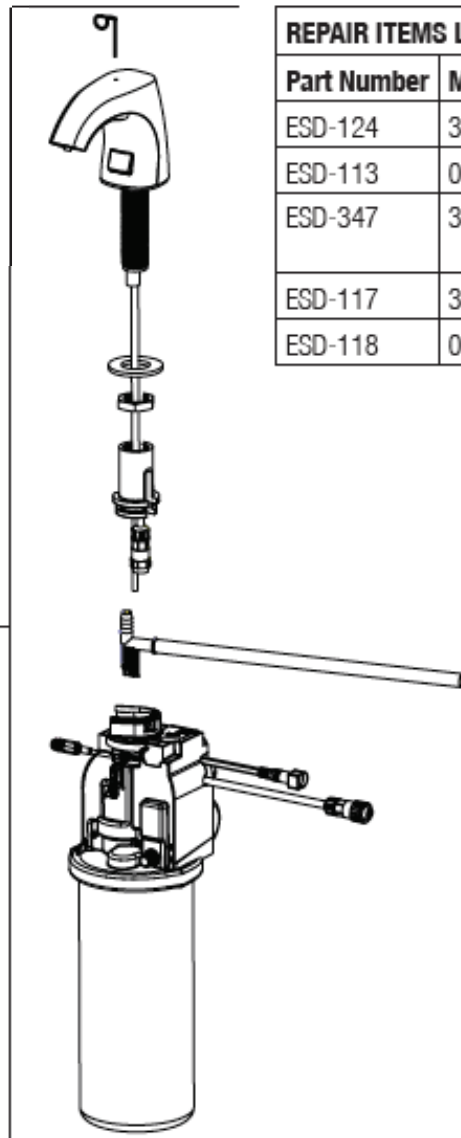


ESD-360



ESD-113

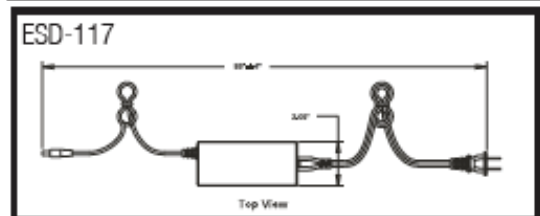
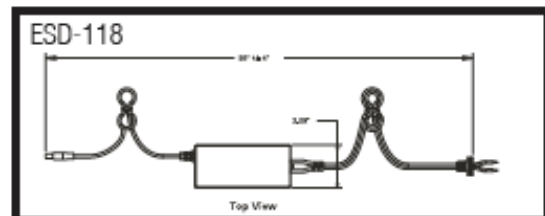
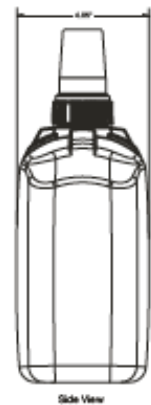
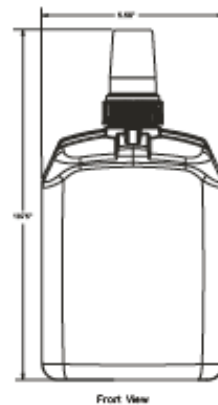
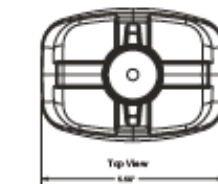
ESD-124



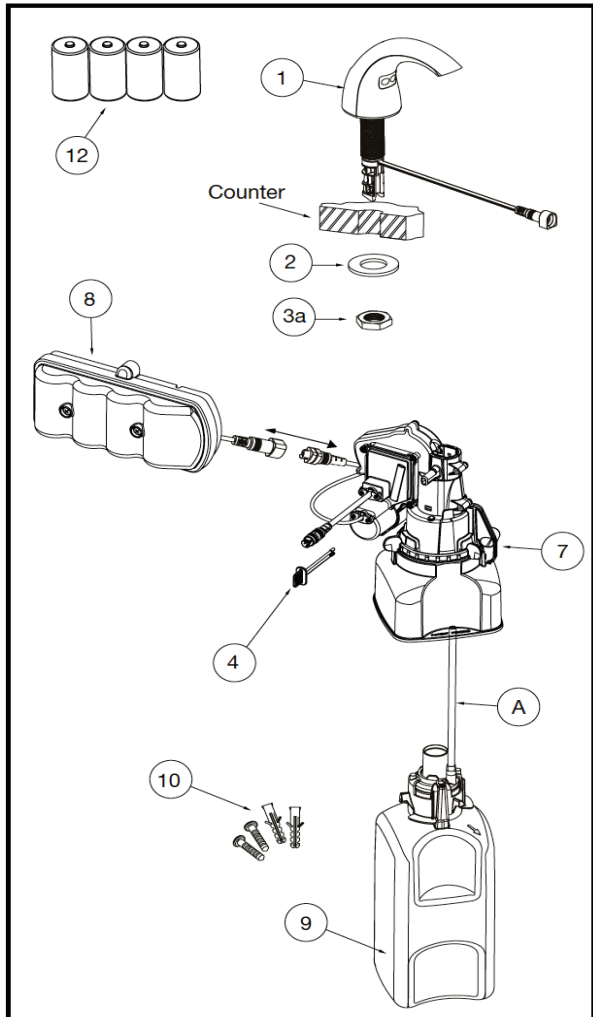
### REPAIR ITEMS LIST

Part Number	Material Number	Description
ESD-124	33461026	Spout with 2L Reservoir and Motor
ESD-113	03460019	Battery Pack
ESD-347	33461021	Soap Refills-Must purchase in quantities of 4
ESD-117	33461023	AC Plug
ESD-118	03460021	Hardwire Kit (Sold in Packs of 2)

ESD-347



**ESD-Series Foam Soap Dispensers**



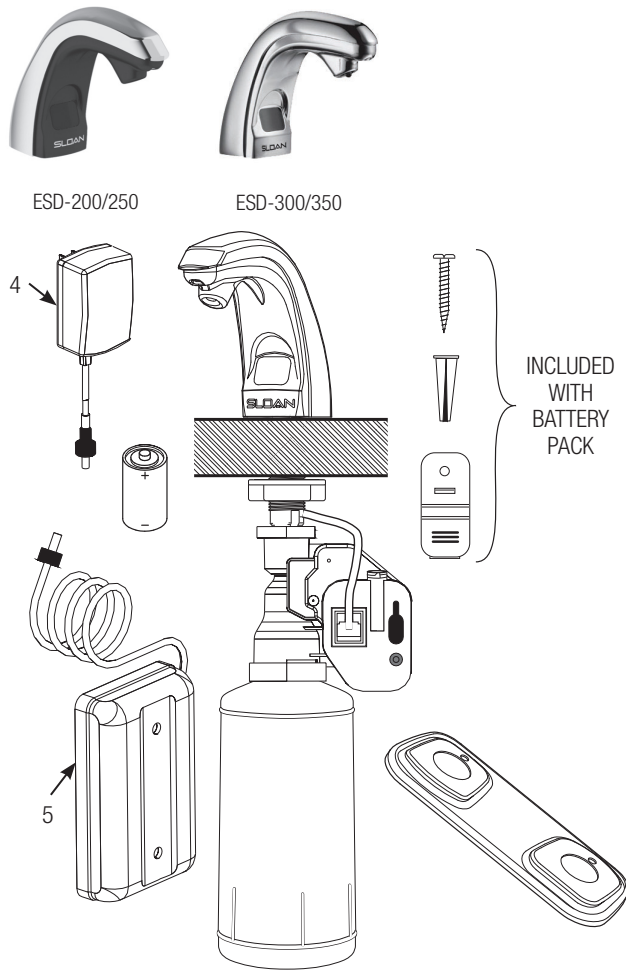
**REPLACEMENT SPOUTS ONLY (INCLUDES NUT & WASHER)**

ITEM	DESCRIPTION	QTY.
1.	ESD-1502A CP SPOUT ASSEMBLY-EAF100/150 STYLE	1
1.	ESD-2002A CP SPOUT ASSEMBLY-EAF200/250/275 STYLE	1
1.	ESD-2102A CP SPOUT ASSEMBLY-SF-2100/2150 STYLE	1
1.	ESD-502A CP SPOUT ASSEMBLY BASYS STYLE	1
1.	ESD-602A CP SPOUT ASSEMBLY ETF-600/650 STYLE (610/615)	1
1.	ESD702A CP SPOUT ASSEMBLY EAF-700/750 STYLE	1
1.	EAF802A CP SPOUT ASSEMBLY ETF80/EBF-85	1

ITEM	DESCRIPTION	QTY.
1.	DISPENSER ASSEMBLY (SEE SPOUT LIST BELOW)	1
2.	FLAT WASHER	1
3.	NUT	1
4.	MOTOR ASSEMBLY (BOTTLE SUPPORT)	1
5.	BATTERY BOX (USES 4 "D" CELL BATTERIES)	1
6.	SOAP BOTTLE (2 BOTTLES SHIP WITH DISPENSER/ADDITIONAL SOLD SEPARATELY)	1 BOX (2 BOTTLES)
7.	SCREWS & ANCHORS FOR BATTERY BOX MOUNTING	1
8.	RETAINING CLIP	1
9.	"D" CELL BATTERIES (PROVIDED)	1
10.	SOAP BOTTLE TUBE	1
NOT SHOWN	ESD-324 6 VDC PLUG-IN ADAPTER (100-240 VAC) (SOLD SEPARATELY)	

REPAIR PARTS (IN KIT FORM- TAKEN FROM ITEM NUMBERS ABOVE)			
ITEM	REPAIR PARTS AVAILABLE TO ORDER	DESCRIPTION	MATERIAL NUMBER
	ESD218	*ALTERNATE MOUNTING FLANGE NUT	*0346002
	ESD320	SOAP DISPENSING MOTOR (INCLUDES BATTERY BOX #8)	0346081
	ESD321	GREEN CERTIFIED FOAM SOAP REFILLS 1500 ML (2 PER BOX)	3346044
	ESD324	6 VDC PLUG-IN ADAPTER (100-240 VAC)	0346090
	ESD340A	STRAW ASM FOR SOAP BOTTLE	0346102

## ESD-200/250 and ESD-300/350 Liquid Soap Dispensers



Item No.	Part No.	Description
1A.	ESD-216-A	Spout Assembly (Models ESD-200 & ESD-250)
1B.	ESD-235-A	Spout Assembly (Models ESD-300 & ESD-350)
2.	ESD-218	Mounting Hardware Kit (Includes items 2A and 2B)
2A.	ESD-222	Rubber Gasket
2B.	ESD-620	Flange Nut
3.	ESD-209-A	Motor Assembly
4.	ESD-227	Plug-in Transformer (Hardwire Models ESD-200 & ESD-300)
5.	ESD-210	Battery Pack — Includes 4 D-size batteries, Screws and Anchors for Battery Compartment and Wall Clips for Power Cord (Battery Models ESD-250 & ESD-350)
6.	ESD-217	Lotion Soap Refill Cartridge 800 ml (up to 1000 hand washes)
	ESD-232	Lotion Soap Refill Cartridge 1600 ml (up to 2000 hand washes)
	ESD-231	Anti-bacterial Soap Refill Cartridge 800 ml (up to 1000 hand washes)
	ESD-233	Anti-bacterial Refill Cartridge 1600 ml (up to 2000 hand washes)
7.	ESD-223	D-size Alkaline Batteries (4 required) (Models ESD-250 & ESD-350)
8.	ETF-299-A	Trim Plate for ESD-20080, ESD-25085, ESD-30880 & ESD-35187 Combination Soap Dispenser and Faucet

When the Soap Bottle is empty, a new Bottle must be used. The Bottle furnished with the unit is not designed to be refilled. Altering the Bottle and refilling it with soap will void the warranty of the product.

- ESD-233 — 1600 ml. bottle of Anti-bacterial Soap  
Can also be replaced with TC® OneShot® Soap Bottles listed in chart.

Refills are available through your local plumbing or janitorial supply distributor.

### Soap Refill Cartridges Available:

- ESD-217 — 800 ml. bottle of Lotion Soap
- ESD-232 — 1600 ml. bottle of Lotion Soap
- ESD-231 — 800 ml. bottle of Anti-bacterial Soap

### I. Red LED light is flashing.

- Refill bottle is low. Check the fill level and change as needed.
- Reset button was not pressed after the refill was installed. Press and release reset button.
- If reset button is held down more than one second, the red light will stay on. To turn the red light off, press the reset button quickly and the red light will go off.

### 2. Yellow LED light is flashing (Models ESD-250 & ESD-350 only).

- Batteries are low. Replace with four (4) new D-size alkaline batteries.

### 3. Preventing soap from dispensing while cleaning.

- Place your finger over the upper right hand or left hand corner of the sensor lens.

### 4. The dispenser does not activate properly when hand is placed under spout.

- In rest rooms with fluorescent lighting, lighting that may be dying out or not burning at full intensity will cause interference with soap dispenser. Replace fluorescent tube(s) and soap dispenser will then function normally. Cool, white tubes are recommended.

### 5. Soap does not dispense when user “waves” their hands under the spout.

- Hands must be held “steady” under the spout for the dispenser to work.

### 6. Dispenser rotates due to users moving the spout.

- Tighten the existing flange nut on the shaft of the spout under the counter.
- If this problem continues, you can order a second “flange nut” (ESD-620) from Sloan Valve.

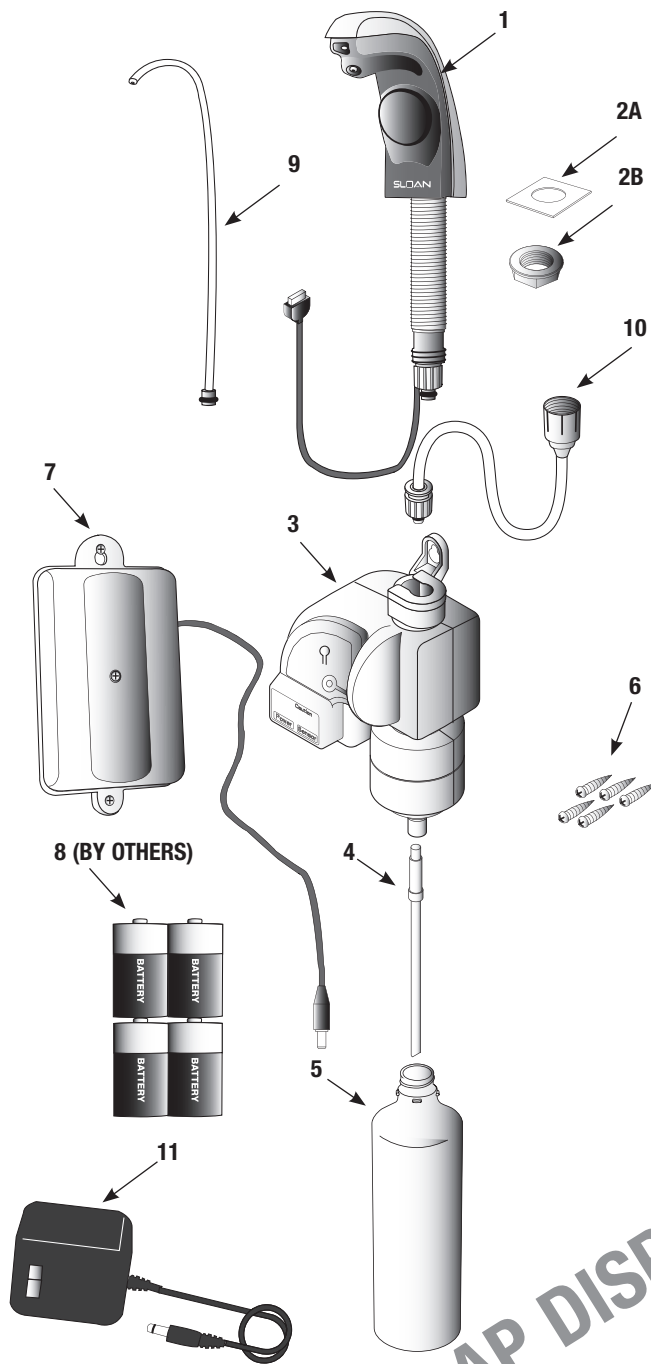
### 7. Soap does not dispense.

- Check that your power source is plugged in correctly.
- Make sure that batteries have been installed properly (Models ESD-250 & ESD-350 only).
- Make sure the pump is open on the refill bottle (see Step 5).

### 8. Tube pulls out of the refill bottle.

- The tubes have been “stitched” to prevent their removal, however please ensure that your housekeeping staff does not pick the bottle up or carry it by the tube.

## SJS-1650 Soap Dispenser DISCONTINUED



Item No.	Part No.	Description
1.	SJS-1-A	Spout Assembly
2A.	—	Rubber Gasket
2B.	—	Flange Nut
3.	SJS-5	Motor Assembly
4.	SJS-8	Pick-up Tube
5.	SJS-1651	Soap Bottle (sold separately)
6.	—	Mounting Screws (5)
7.	SJS-4	Battery Compartment
8.	—	D-size Alkaline Batteries (4) (supplied by others)
9.	SJS-2	Repair Kit Tube Assembly Soap Path
10.	SJS-3	Repair Kit Tube Assembly Extension
11.	SJS-7	Optional AC Adapter (sold separately)

### CARE AND CLEANING OF CHROME AND SPECIAL FINISHES

DO NOT use abrasive or chemical cleaners (including chlorine bleach) to clean Soap Dispenser that may dull the luster and attack the chrome or special decorative finishes. Use ONLY mild soap and water, then wipe dry with clean cloth or towel.

While cleaning the bathroom tile, protect the Flushometer from any splattering of cleaner. Acids and cleaning fluids will discolor or remove chrome plating.

### TROUBLESHOOTING GUIDE

#### 1. Yellow LED light is flashing.

- A. Soap level is low. Check level and change as needed.
- B. Reset button was not pressed after the refill was installed. Press and release reset button.

#### 2. Red LED light is flashing (battery power only).

- A. Batteries are low. Replace with four (4) new D-size alkaline batteries.

#### 3. Soap does not dispense.

- A. Check that power source is plugged in correctly.
- B. Make sure batteries have been properly installed in the battery compartment.
- C. Check soap path for clogging. Remove and replace as needed.

#### 4. Soap does not dispense when user "waves" their hands under the spout.

- A. Hands must be held steady under the spout for soap to be dispensed.

#### 5. Dispenser rotates due to users moving the spout.

- A. Tighten the existing flange nut on the shank of the spout under the counter.
- B. Add a second flange nut from Sloan JanSan to act as a jam nut in conjunction with the nut already installed.

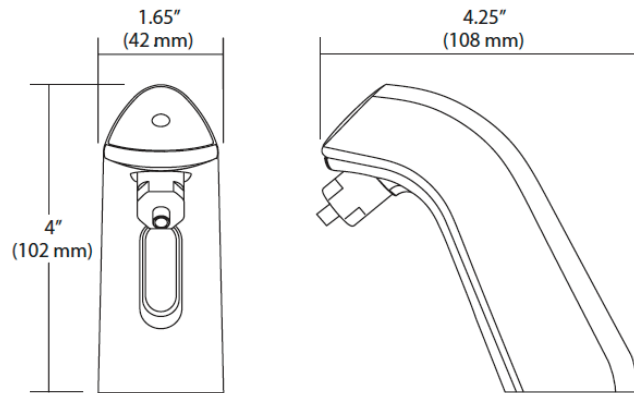
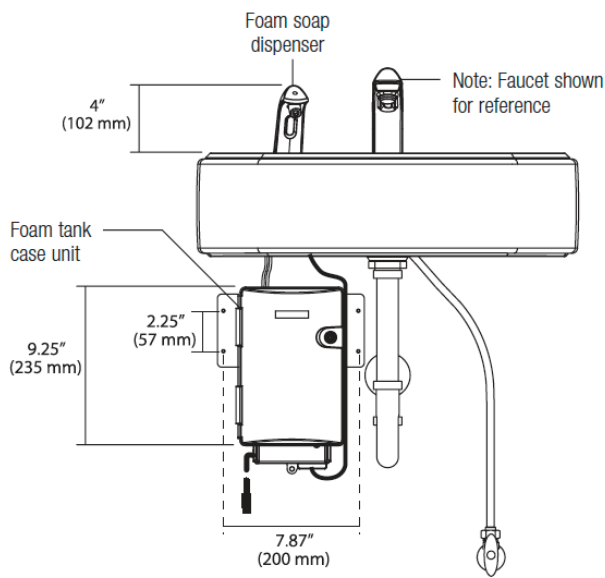
DISCONTINUED SOAP DISPENSER

## SJS-1750 Foam Soap Dispenser DISCONTINUED



### PARTS LIST—SENSOR-ACTIVATED, DECK-MOUNT FOAM SOAP DISPENSER

Item No.	Code No.	Part No.	Description
—	<b>5700751</b>	SJS-1751	Sensor Deck-Mount Foam Soap
—	<b>5700752</b>	SJS-1751-1	Sensor Deck-Mount Foam Soap with Moisturizers
—	<b>5700754</b>	SJS-1751-3	Sensor Deck-Mount Foam Soap Green Seal (Fragrance Free)
1.	<b>7000027</b>	SJS-55-A	Soap Dispenser Nozzle
—	—	—	Mesh Insert & O-ring



DISCONTINUED SOAP DISPENSER

---

## SJS-1750 Foam Soap Dispenser DISCONTINUED

---

### TROUBLESHOOTING GUIDE

---

#### 1. Unit DOES NOT operate.

- A. Check operation switch is on.
- B. Check power plug is securely inserted into the outlet.

#### 2. Soap DOES NOT dispense.

- A. Soap bottle needs replacing.
- B. Check soap dispensing nozzle for clog.
- C. Check hand sensor.

#### 3. Liquid soap is not in foam state.

- A. Check mesh is mounted in the foam-dispensing nozzle.

### CLEANING THE HAND SENSOR

---

Clean the hand sensor periodically (about once a month) according to the following procedure:

- Press the operation switch to OFF (the operation light goes off).
- Gently wipe the hand sensor area with a cloth moistened with warm water.
- Press the operation switch to ON (the operation light goes on).
- Make sure that the nozzle properly dispenses foam soap.

**NOTE: DO NOT** leave water drops on the hand sensor area. Remaining water drops may cause malfunction.

### CLEANING FOAM SOAP DISPENSER

---

If the tip of the soap nozzle is clogged, the dispensing capability may fail or function partially. Clean the nozzle according to the following procedure:

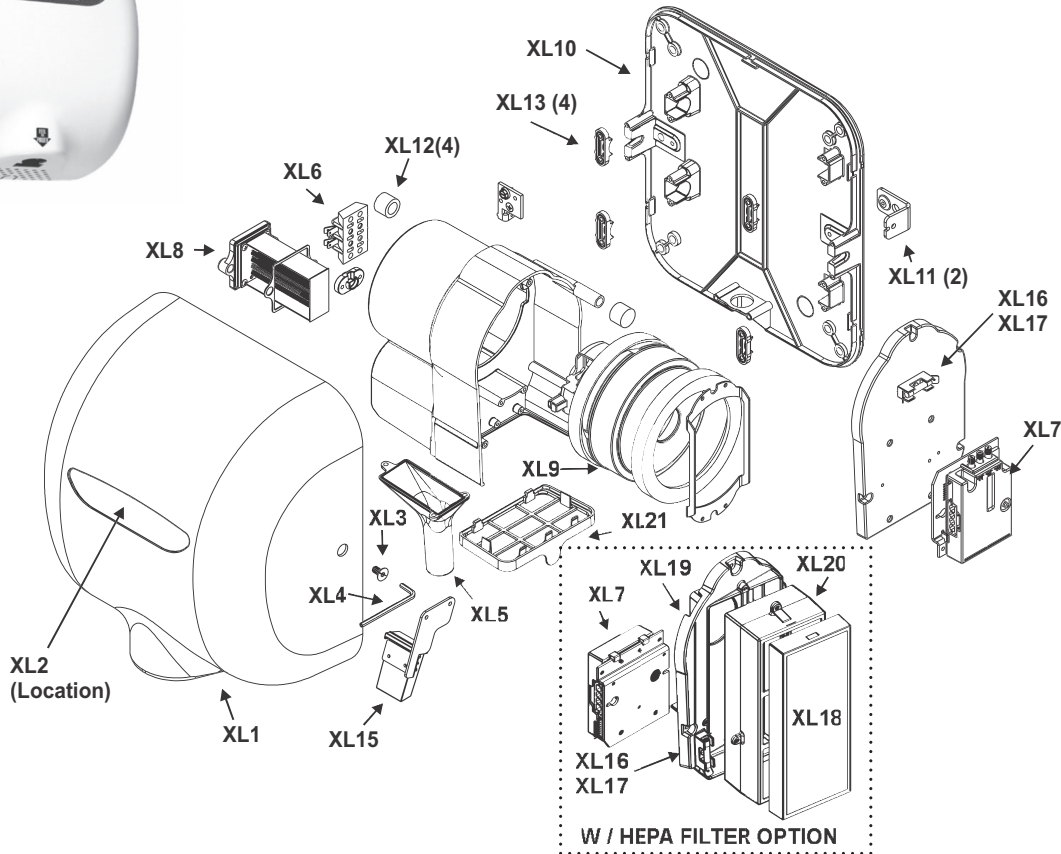
- Press the operation switch to OFF (the operation light goes off).
- Remove the foam soap dispensing nozzle and then the internal mesh. Wash it with lukewarm water.
- Turn ON the operation switch (the operation light goes on). Check the foam soap spraying state.
- Repeat as needed.

**When assistance is required, please contact**

**Sloan Technical Support at: 1-888-SLOAN-14 (1-888-756-2614).**



## EHD-501 Hand Dryer



### PARTS LIST—SENSOR-ACTIVATED, DECK-MOUNT FOAM SOAP DISPENSER

Ref. No.	Description
XL1.	Cover (includes Nameplate)
XL2.	Nameplate
XL3.	Tamper-proof Bolt
XL4.	Tamper-proof Wrench
XL5.	Air Outlet (includes gasket)
XL6.	Terminal Block (includes screws)
XL7.	Control Assembly & Sensor
XL8.	Heating Element Assembly*
XL9.	Motor
XL10.	Base Plate Assembly
XL11.	Cover Mounting Brackets
XL12.	Housing Grommet
XL13.	Housing Retainer
XL15.	Optics Assembly (Sensor)
XL16.	Fuseholder (if so equipped)
XL17.	Fuse (if so equipped)
XL18.	HEPA Pre-Filter**
XL19.	HEPA Filter Adapter**
XL20.	HEPA Filter**
XL21.	Pre-Filter

\*does not apply to XLERATOReco models

\*\*Only applies to HEPA models

# Act-O-Matic® Showerhead



**AC-11-1.8 4020132**

Self-cleaning chrome plated showerhead with thumb screw volume control and universal ball joint. Pressure compensating 1.8gpm/6.8 Lpm maximum flow control. All brass construction. 1/2" I.P.S. inlet.

**AC-11-2.0 4020130**

Self-cleaning chrome plated showerhead with thumb screw volume control and universal ball joint. Pressure compensating 2.0 gpm/7.5 Lpm maximum flow control. All brass construction. 1/2" I.P.S. inlet.



**AC-51 1.8 4020131**

Self-cleaning chrome plated showerhead without (less) thumb screw volume control and universal ball joint. Pressure compensating 1.8 gpm/6.8 Lpm maximum flow control. All brass construction. 1/2" I.P.S. inlet.

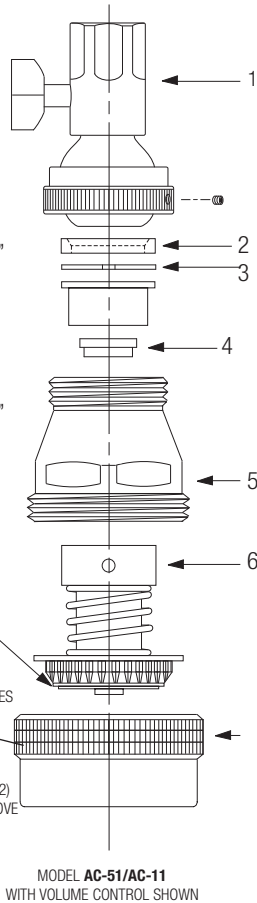
**AC-51 2.5 4021000**

Self-cleaning chrome plated showerhead without (less) thumb screw volume control and universal ball joint. Pressure compensating 2.5 gpm/9.4 Lpm maximum flow control. All brass construction. 1/2" I.P.S. inlet.



**AC-11 4020100**

Self-cleaning chrome plated showerhead with thumb screw volume control and universal ball joint. Pressure compensating 2.5 gpm/9.4 Lpm maximum flow control. All brass construction. 1/2" I.P.S. inlet.



LABELS:  
 BLUE COLOR 1.8  
 GREEN COLOR 2.0  
 BLACK COLOR 2.5  
 BLUE COLOR 3.0  
 OR ABOVE

GROOVE INDICATES SH-2-N.  
 (NO GROOVE INDICATES OBSOLETE SH-2) 3.0 GPM OR ABOVE

**PARTS FOR ACT-O-MATIC® SHOWERHEAD AC-11/AC-51 2.5 & 2.0, 1.8**

Item No.	Code No.	Part No.	Description
1.	<b>3328026</b>	SH-1007-A	Ball Joint Coupling with Volume Control†
	<b>0328059</b>	AC-18-AV	Ball Joint Coupling less Volume Control
	<b>0328213</b>	AC-313-A	1.8 Gallon Flow Control
2.	<b>0328205</b>	AC-313-A	2.0 Gallon Flow Control Assembly*
	<b>5328010</b>	SH-1000-A	SH-3 Gasket – 24 per package
3.	<b>0328010PK</b>	SH-3	Single Gasket
	—	—	Spacer*
4.	<b>0328209</b>	C2A	Piston Assembly for Showerhead
	<b>0328001</b>	SH-1	Body†
6.	<b>4328470</b>	SH-1003-A	Piston Assembly† – <b>DISCONTINUED</b>
	—	AC-2-A-1.8	1.8 Piston Assembly – Shower Head
	—	AC-2-A-2.0	2.0 Piston Assembly – Needle Spray†
7.	<b>4328466</b>	SH-1002-A	Piston Assembly – Needle Spray†
	<b>0328004</b>	SH-2	Coupling Ring† – <b>DISCONTINUED</b>
—	<b>0328005</b>	SH-2-N	Coupling Ring – Needle Spray† SH-1002-A – available in SH-1008-A for 2.0 & 2.5 gpm
	<b>4328469</b>	SH-1008-A	Repair Kit for Needle Spray Showerhead includes Items Nos. 2-5 at left (2.5 gpm).

† Includes SH-3 gasket.‡ Chrome plated. Consult factory for other available finishes. \* SH-45 Spacer supplied only with 2.0 High Efficiency Showerhead models.

**FLOW CONTROL MODEL CONVERSION**

7 To convert an older Act-O-Matic showerhead to a flow control model, use repair kit **SH-1008-A**. Repair Kit contains gasket (item 2), piston assembly – needle spray (item 4) and coupling ring – needle spray (item 5).

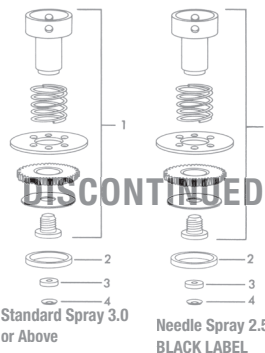
**NEEDLE SPRAY**

**NOTE:** To properly repair an Act-O-Matic showerhead, it is important to identify needle spray part designs. Shower heads with 3 gpm (11 Lpm) or 2.5 gpm (9.4 Lpm) flow controls produced since 1985 use needle spray piston assembly and a needle spray coupling ring. Needle spray shower heads can be identified by the following: coupling ring (SH-2-N) has groove on knurled diameter; plus an "N" marked on the back of the black spray disc in the piston assembly. When repairing an Act-O-Matic shower head with a flow control it is important to identify whether the part is of the needle spray design.

**SLOAN ACT-O-MATIC® MODELS**

In accordance with Federal and State water conservation requirements, all Sloan Act-O-Matic showerheads manufactured after January 1, 1994 are available only with an integral 2.5 gpm (9.4 Lpm) flow control. Replacement components will continue to be available for non-flow control Act-O-Matic showerhead models. Act-O-Matic showerheads rated at 3 gpm (11 Lpm) should be repaired using the components shown for the current 2.5 gpm (9.4 Lpm) models.

**For Sloan Act-O-Matic model 100 series shower-heads (discontinued in 1970) use piston assembly SH-1003-A and SH-2-N.**



**SHOWERHEAD REPAIR KITS**

Code No.	Part No.	Description
<b>For Standard Spray</b>		
<b>4328470</b>	N/A	Repair Kit for Standard Spray Showerhead includes Items Nos. 1-4 (below)
<b>For Needle Spray</b>		
<b>4328466</b>	SH-1002-A	Repair Kit for Needle Spray Showerhead includes Items Nos. 1-4 (below)
<b>Additional Repair Items</b>		
<b>0328326PK</b>	SH-72	CP Ball Joint
<b>0328068</b>	SH-2N	Coupling Ring Needle Spray (2.5 gpm)
—	SH-1015-A	1.8 Repair Kit (Flow Control Only)
<b>4328001</b>	SH-1014-A	2.0 Repair Kit (Flow Control Only)
<b>4328469</b>	SH-1008-A	2.5 Conversion Kit
<b>4328287</b>	SH-1004-A	2.5 Repair Kit - 2.5 Flow Control & SH-3
<b>0328097</b>	AC1A - 2.5	Shower Body Assembly (2 & 7 on Chart)
<b>0328206</b>	AC1A - 2.0	Shower Body Assembly (2 & 7 on Chart)

## Act-O-Matic® Showerhead

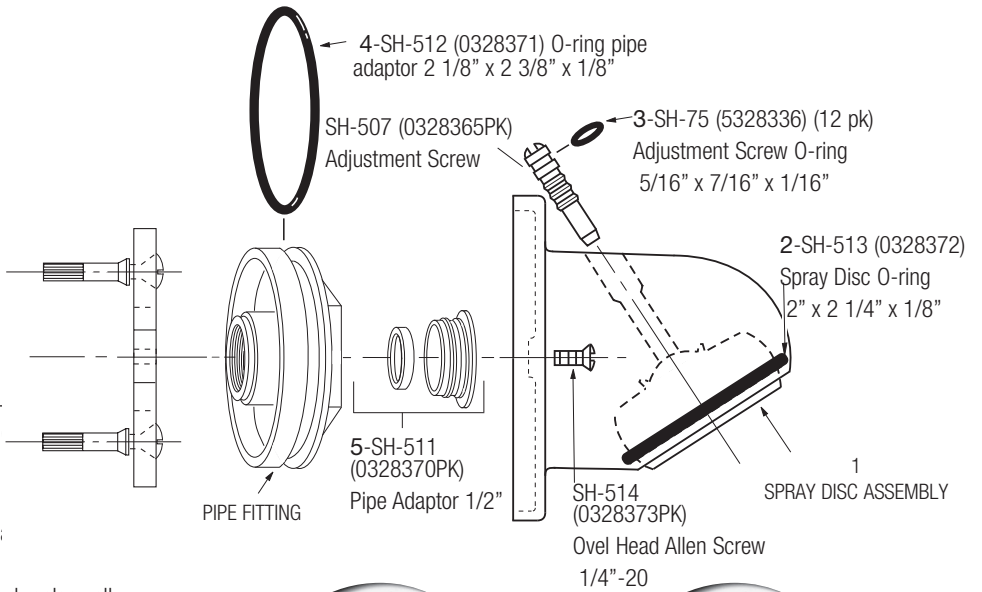
### SH-1009-A-2.5 REPAIR KIT FOR AC-450 MODEL SHOWERHEAD INCLUDES:

Item	Description
1.	Showerhead Spray Disc Assembly
2.	Spray Disc O-ring-SH-513
3.	Adjustment Screw O-ring-SH-75
4.	Pipe Fitting O-ring-SH-512
5.	2.5 gpm (9.4 Lpm) Flow Control Kit Code No. <b>0328375</b> , Part SH-313-A
	1.8 gpm (6.8 Lpm) Flow Control Kit Code No. <b>0325377</b>

Note: Items 2, 3 and 4 are also available in O-ring replacement kit SH-1001-A.

### SERVICING INSTRUCTIONS

1. Remove showerhead from wall by unscrewing two 5/32" allen head wrench.
2. Remove adjustment screw from showerhead body.
3. Remove spray disc assembly by pushing through b. showerhead body.
4. Clean inside of showerhead body of all sediment and replace all O-ring seals.
5. Replace (or add) flow control in pipe fitting.
6. Replace spray disc assembly and reassemble showerhead in reverse order.



AC-450 **4024500**

AC-460 **4024600**

**AC-450 4024531 (1.8 gpm)**

**AC-460 4024631 (1.8 gpm)**

Institutional style self-cleaning showerhead similar Sloan Act-O-Matic institutional style models.

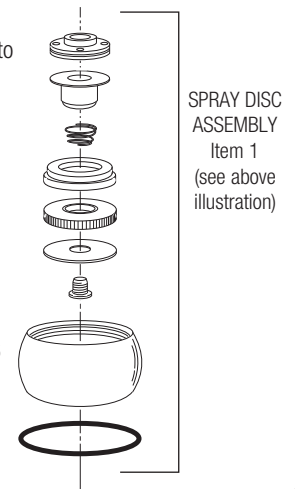
In accordance with Federal and State water conservation requirements, all Sloan Act-O-Matic® showerheads manufactured after January 1, 1994 are available only with an integral 2.5 gpm (9.4 Lpm) flow control. All model variations of AC-450/AC-460 Act-O-Matic showerheads can be repaired using the SH-1009-A repair kit (see above). When repairing an older AC-450 without a flow control, install the 2.5 gpm (9.4 Lpm) flow control supplied with the repair kit.

### SHOWERHEAD FLOW CONTROLS

Code No.	Part No.	Description
<b>For Standard Showerheads</b>		
4328285	AC-300-A	B-4 4 Gallon Flow Control for Showerhead Models AC-10, AC-11, AC-51 And AC-75 – <b>OBSOLETE</b>
4328287	AC-310-A	B-3 3 Gallon Flow Control for Showerhead Models AC-10, AC-11, AC-51 And AC-75 – <b>OBSOLETE</b>
<b>For Institutional Showerheads</b>		
4328290	AC-320-A	B-4 4 Gallon Flow Control for Showerhead Models AC-450 – <b>OBSOLETE</b>
4328289	AC-325-A	B-3 3 Gallon Flow Control for Showerhead Models AC-450 – <b>OBSOLETE</b>
<b>Additional Repair Items</b>		
4328002	SH-1019-A	Disc & Flow Control (converts to 2.0)
4328003	SH-1020-A	2.0 Flow Control Kit
4328210	SH-1010-A	2.5 Flow Control Repair Kit
4328471	SH-1009-A	2.5 Repair Kit
4328005	SH-1016-A	1.8 Flow Control Repair Kit
4328006	SH-1017-A	1.8 Showerhead Repair Kit
0328373PK	SH-514	CP Oval Head Allen Screw 1/4" -20
0328372	SH-513	O-ring 2x2-1/4" x 1/8" Pipe Adaptor o-ring
0328371	SH-512	O-ring 2-1/8" x 2 3/8" x 1/8" Spray Disc o-ring
0328385PK	SH-502N	CP Spherical Ring Needle Spray
0328080PK	SH-37	CP Phillips Wood Screw #14 x 1 1/2"

### TO CLEAN SPRAY DISC ASSEMBLY:

1. Disassemble showerhead according to servicing instructions shown above.
2. Use spanner wrench or pliers to disassemble spray disc assembly (see exploded view).
3. Clean sediment and debris from all components.
4. Replace with repair kit Code No. **4328471**, part SH-1009-A if necessary. For 2.5 Gpm use code No. 4328006 For 1.8 Gpm use SH-1017-A



This page intentionally left blank.

# Sloan Sales Representatives

**Alabama**

Will & Pierce Agency  
6612 Pine Hill Rd  
Daphne, AL 36526  
251/621-1550  
jsullivan@willandpierce.com

**Alaska**

Braley-Gray  
2427 6th Ave. South  
Seattle WA 98134  
PH 206-405-4370  
info@braleygray.com  
W:braleygray.com

**Arizona**

Southwestern Mechanical  
Sales Co.  
1440 W San Pedro St  
Gilbert, AZ 85233  
PH 1-866-707-7020  
W: swpsg.com

Southwestern Mechanical  
Sales Co.  
4771 S. Overland Dr  
Tucson, AZ 85714  
PH: 520-884-1414  
E: thoffman@swmech.com

**Arkansas**

C. A. Finer Co., Inc.  
7620 Hardin Dr  
N. Little Rock, AR 72117  
501/834-1400  
cariner.com

**California – South**

Delco Sales  
5375 E. Hunter Ave  
Anaheim, CA 92607-2054  
714/888-2444  
sales@delcosales.com

**California – North**

Kliman Sales Inc.  
1245 N. 5th St  
San Jose, CA 95112  
408/275-1784  
klimansales.com

Kliman Sales Inc.  
8560 23rd Ave  
Sacramento, CA 95826  
916/379-0784  
klimansales.com

**Colorado**

Marshall-Rodeno Associated  
5700 E. 39th Ave  
Denver, CO 80207  
800/824-3675  
marshallrodeno.com

**Connecticut**

Yost Associates  
224 Eastern Blvd  
Glastonbury, CT 06033  
860/659-0301  
yostassociates.com

**Delaware**

Burns Cope Associates  
4009-K Market St. Ste K  
Aston, PA 19014  
610/485-2828  
burnscope.com

**District of Columbia**

The Joyce Agency  
3933 Avion Park Ct  
Suite B102B  
Chantilly, VA 20151  
800/291-9298 or  
703/866-3111  
thejoyceagency.com

**Florida**

Engineered Concepts  
917 N.W. 31st Ave  
Pompano Beach, FL 33069  
800/273-5522  
eng-concepts.com

**Headquarters**

10500 Seymour Avenue  
Franklin Park, IL 60131-1238  
P: +1 847.671.4300 / 800.982.5839  
F: +1 847.671.4380 / 800.447.8329  
customer.service@sloan.com  
sloan.com

**Florida-Panhandle**

Will & Pierce Agency  
6612 Pine Hill Rd  
Daphne, AL 36526  
251/621-1550  
jsullivan@willandpierce.com

**Georgia**

Southern Spec  
2125 Corporate Dr Ste 105A  
Marietta, GA 30067  
770/627-5428  
southernspec.com

**Hawaii**

Delco Sales  
94-1388 Moaniani Street #114  
Waipahu, HI 96797  
PH 808-842-7900  
Hawaii@delcosales.com

**Idaho – Southwest**

Braley-Gray & Associates  
900 E. Overland Rd  
Meridian, ID 83642  
208/898-9410  
braleygray@msn.com

**Idaho – North**

R. E. Fitzpatrick Sales, Inc.  
4109 West Nike Dr  
West Jordan, UT 84088  
801/282-0700  
fitzpatricksales.com

**Idaho – Southeast**

R. E. Fitzpatrick Sales, Inc.  
4109 West Nike Dr  
West Jordan, UT 84088  
801/282-0700  
fitzpatricksales.com

**Illinois – North**

REPCO Associates, Inc.  
1775 W. Armitage Ct  
Addison, IL 60101  
630/932-9900  
brian@repcocoassociates.com

**Illinois – Central**

REPCO Associates, Inc.  
1775 W. Armitage Ct  
Addison, IL 60101  
309/762-3700  
harry.carlson@comcast.com

**Illinois – South**

MR & Associates  
2726 South Brentwood Blvd,  
Brentwood, MO 63144  
PH 314-962-8960  
E:quotes@mrassocinc.com

**Indiana**

P-M Associates, Inc.  
9901 E. 30th Street  
Indianapolis, IN 46229  
317/827-0419  
orders@p-massoc.com

**Iowa**

Service Reps, Inc.  
15030 "A" Cir  
Omaha, NE 68144  
402/333-2095  
orders@servicerepsinc.com

**Kansas**

Hebco Inc.  
4304 S. Washington  
Independence, MO 64055  
913/491-5126  
quotes@hebcocoreps.com

**Kentucky – East**

BBN Sales, Inc.  
3737 Spring Grove Ave  
Cincinnati, OH 45223  
513/681-9999  
bbsales@cinci.rr.com

**Kentucky – Western**

P-M Associates, Inc.  
9901 E. 30th Street  
Indianapolis, IN 46229  
317/827-0419  
orders@p-massoc.com

**Louisiana**

BBWC Sales  
2728 Crestview Ave  
Kenner, LA 70062  
PH 504-602-8100  
W:bbwcsales.com

**Maine**

J. H. Pokorny Associates, LLC  
1502 Providence Hwy, Ste 4  
Norwood, MA 02062  
781/762-2661  
jhpokorny.net

**Maryland**

The Joyce Agency  
3933 Avion Park Ct  
Ste B102B  
Chantilly, VA 20151  
800/291-9298 or  
703/866-3111  
thejoyceagency.com

**Massachusetts – East**

J.H. Pokorny Associates, LLC  
1502 Providence Hwy, Ste 4  
Norwood, MA 02062  
781/762-2661  
jhpokorny.net

**Massachusetts – West**

Yost Associates  
224 Eastern Blvd  
Glastonbury, CT 06033  
860/659-0301  
yostassociates.com

**Michigan – East**

Diversified Spec. Sales, Inc.  
13261 Northend Ave  
Oak Park, MI 48237  
248/398-2400  
diversifiedspec.com

**Michigan – West**

Diversified Spec. Sales, Inc.  
931 West River Center Dr  
Cormstock Park, MI 49321  
616/785-9000  
diversifiedspec.com

**Michigan – Upper Peninsula**

Badgerland Trading  
of Wisconsin  
2415 S. 170th St  
New Berlin, WI 53151  
262/827-3177  
dan@badgerlandtrading.com

**Minnesota**

Bongard Corporation  
13366 Lake Drive  
Forest Lake, MN 55025  
651/982-9802  
bongard@bongard.com

**Mississippi**

Will & Pierce Agency  
6612 Pine Hill Rd  
Daphne, AL 36526  
251/621-1550  
jsullivan@willandpierce.com

**Missouri – East**

MR & Associates inc.  
2726 S. Brentwood Blvd  
St. Louis, MO 63144  
PH 314-962-8960  
W:mrassocinc.com  
E:quotes@mrassocinc.com

**Missouri – West**

Hebco Inc.  
4304 S. Washington  
Independence, MO 64055  
913/491-5126  
quotes@hebcocoreps.com

**Montana**

Vemco  
2016 2nd Ave. North  
Billings, MT 59101  
406/248-8373  
mail@vemcoinc.com

**Nebraska – East**

Service Reps, Inc.  
15030 "A" Cir  
Omaha, NE 68144  
402/333-2095  
orders@servicerepsinc.com

**Nevada – Northeast**

R.E. Fitzpatrick Sales, Inc.  
4109 W. Nike Dr  
West Jordan, UT 84088  
801/282-0700  
fitzpatricksales.com

**Nevada – Reno & Northwest**

Kliman Sales Inc.  
8560 23rd Ave  
Sacramento, CA 95826  
PH: 916-379-0784  
W:klimansales.com

**Nevada – Las Vegas & South**

Southwestern Mechanical  
Sales Co.  
3191 Builders Ave  
Las Vegas, NV 89101  
702/368-2561  
E:jeff@swmech.com

**New Hampshire**

J.H. Pokorny Associates, LLC  
1502 Providence Hwy, Ste 4  
Norwood, MA 02062  
781/762-2661  
jhpokorny.net

**New Jersey – North**

Maloney & Curcio Inc  
1090 Bristol Rd  
Mountainside, N.J. 07092  
PH 908-486-0900  
F 908-486-1222  
W:maloney-curcio.com

**New Jersey – South**

Burns Cope Associates  
4009-K Market St Ste K  
Aston, PA 19014  
610/485-2828  
burnscope.com

**New Mexico**

Southwestern Mechanical  
Sales Co.  
1440 W San Pedro St  
Gilbert, AZ 85233  
PH 1-866-707-7020  
W: swpsg.com

**New York – Lower**

Edwards, Platt & Deely Inc.  
368 Wyandanch Ave  
North Babylon, NY 11703  
631/253-0600  
epdreps.com

**New York – Upper**

WMS Sales, Inc.  
9580 County Rd  
Clarence Center, NY 14032  
716/741-9575  
wmssales.com

WMS Sales, Inc  
599 South Bay Rd  
North Syracuse, NY 13212  
PH: 315-453-4230  
W: wmssales.com

**North Carolina**

Smith & Stevenson  
4935 Chastain Ave  
Charlotte, NC 28217  
704/525-3388  
smithandstevenson.com

**North Dakota**

Bongard Corporation  
13366 Lake Drive  
Forest Lake, MN 55025  
651/982-9802  
bongard@bongard.com

**Ohio – Northeast**

Midwest Spec  
29315 Clayton Ave  
Wycliff, OH 44092  
440/944-7500  
mwspec.com

**Ohio – Central & South**

BBN Sales, Inc.  
3737 Spring Grove Ave  
Cincinnati, OH 45223  
513/681-9999  
bbnsales@cinci.rr.com

**Ohio – Northwest**

Diversified Spec. Sales, Inc.  
13261 Northend Ave  
Oak Park, MI 48237  
248/398-2400  
diversifiedspec.com

**Oklahoma**

Pannell Associates Sales Co.  
5411 S. 101st East Ave  
Tulsa, OK 74146  
918/664-7732  
clip@pannellassociates.com  
pannellassociates.com

Pannell Associates Sales Co.  
13408 Railway Dr  
Oklahoma City, OK 73114  
405/348-7732  
j@pannellassociates.com  
pannellassociates.com

**Oregon**

Braley Gray & Associates  
2818 E. 2nd St  
Vancouver, WA 98661  
PH: 360-693-9900  
E:sales@braleygray.com  
W:braleygray.com

**Pennsylvania – West**

J. B. O'Connor Co., Inc.  
P. O. Box 12927  
Pittsburgh, PA 15241  
724/745-5300  
jboconnor.com

**Pennsylvania – Far North**

WMS Sales, Inc.  
9580 County Rd  
Clarence Center, NY 14032  
716/741-9575  
wmssales.com

**Pennsylvania – East**

Burns Cope Associates  
4009-K Market St Ste K  
Aston, PA 19014  
610/485-2828  
burnscope.com

**Rhode Island**

Yost Associates  
224 Eastern Blvd  
Glastonbury, CT 06033  
860/659-0301  
yostassociates.com

**South Carolina**

Smith & Stevenson  
4935 Chastain Avenue  
Charlotte, NC 28217  
PH 704-525-3388  
W:smithandstevenson.com

**South Dakota**

Bongard Corporation  
13366 Lake Drive  
Forest Lake, MN 55025  
651/982-9802  
bongard@bongard.com

**Tennessee**

Hydro Spec Inc.  
304-C Hill Ave  
Nashville, TN 37210  
615/291-6331  
info@hydrospecinc.com

**Texas – North**

Dillard Associates  
1504 Selene Dr  
Carrollton, TX 75006  
972/278-2000  
sales@dillardassoc.com  
dillardassoc.com

**Texas – South**

Dillard Associates  
6100 Tri County Pkwy  
Schertz, TX 77154  
210/824-4881  
dillardassoc.com

**Texas – El Paso**

Southwestern Mechanical  
Sales Co.  
1440 W San Pedro St  
Gilbert, AZ 85233  
PH 1-866-707-7020  
W: swpsg.com

**Texas – El Paso**

Southwestern Mechanical  
Sales Co.  
1440 W San Pedro St  
Gilbert, AZ 85233  
PH 1-866-707-7020  
W: swpsg.com

**Utah**

R.E. Fitzpatrick Sales, Inc.  
4109 West Nike Dr  
West Jordan, UT 84088  
801/282-0700  
fitzpatricksales.com

**Vermont**

J.H. Pokorny Associates, LLC  
1502 Providence Hwy, Ste 4  
Norwood, MA 02062  
781/762-2661  
jhpokorny.net

**Virginia – North & West**

The Joyce Agency  
3933 Avion Park Ct  
Suite B102B  
Chantilly, VA 20151  
800/291-9298 or  
703/866-3111  
thejoyceagency.com

**Virginia – Central & South**

The Joyce Agency  
700 Thimble Shoals Blvd  
Suite 106  
Newport News, VA 23606  
703/866-3111  
thejoyceagency.com

**Washington**

Braley-Gray & Associates  
2427 6th Ave. South  
Seattle, WA, 98134  
PH: 206-405-4370  
sales@braleygray.com  
W: braleygray.com

**West Virginia – Far Northeast**

The Joyce Agency  
3933 Avion Park Ct  
Suite B102B  
Chantilly, VA 20151  
800/291-9298 or  
703/866-3111  
thejoyceagency.com

**West Virginia – Central & Far South**

J. B. O'Connor Co., Inc.  
P. O. Box 12927  
Pittsburgh, PA 15241  
724/745-5300  
jboconnor.com

**Wisconsin South & East**

Badgerland Trading  
of Wisconsin  
2415 S. 170th St  
New Berlin, WI 53151  
262/827-3177  
badgerlandtrading.com

**Wisconsin Northwest**

Bongard Corporation  
13366 Lake Drive  
Forest Lake, MN 55025  
651/982-9802  
bongard@bongard.com

**Wyoming – Southwest**

R.E. Fitzpatrick Sales, Inc.  
4109 West Nike Dr  
West Jordan, UT 84088  
801/282-0700  
fitzpatricksales.com

**Wyoming – North**

Vemco  
2016 2nd Ave North  
Billings, MT 59101  
PH 406-248-8373  
W: Vemcoinc.com

**Canada**

Dobbin Sales Ltd  
51 Terecar Dr, Unit 2  
Vaughan, ON L4L 0B5  
800/565-8515 or  
905/264-5465  
dobbinsales.com  
info@dobbinsales.com

**Mexico**

Sloan de Mexico  
S. de R.L. de C.V.  
Carretera a los Pinos Km.-1  
Ramos Arizpe, Coahuila  
Mexico, CP 25900  
PH (52) 844/488-0669,  
PH (52) 844/488-0299  
E:servicio.clientes@sloan.com.mx

**Puerto Rico**

J. A. Short, Inc.  
P. O. Box 190951  
Hato Rey, PR 00919-0951  
787-633-3273  
jashort@jas-sales.com