

S1216 Family GNSS Module Data Sheet



12.2mmx 16.0mm

GPS : S1216R8 / S1216F8
S1216F8-RAW

GPS/Beidou : S1216F8-BD / S1216F8-BD12
S1216F8-BD-RAW

GPS/GLONASS : S1216F8-GL / S1216F8-GL12

Revision 0.9
Date November 18, 2014

S1216

High-Performance Low-Cost 167 Channel SMD Global Positioning Receiver Module

Features

- 167 Acquisition/Tracking Channels
- Support QZSS, WAAS, MSAS, EGNOS, GAGAN
- 16 million time-frequency hypothesis testing per sec
- -148dBm cold start sensitivity
- -165dBm tracking sensitivity
- 29 second cold start TTFF
- 3.5 second TTFF with AGPS
- 1 second hot start
- 2.5m CEP accuracy
- Multipath detection and suppression
- Jamming detection and mitigation
- 7-day extended ephemeris AGPS
- Contains LNA, SAW Filter, TCXO, RTC Xtal, Regulator
- Works with active and passive antenna
- On board active antenna short protection
- On board active antenna detection
- Complete receiver in 12.2mm x 16.0mm size
- Operating temperature -40 ~ +85°C
- Pb-free RoHS compliant

Applications

- Navigation and asset tracking
- Timing reference

The S1216 family is state-of-the-art global navigation satellite system receivers capable of using GPS, GPS/Beidou, or GPS/GLONASS signal under the same footprint. User can upgrade from GPS navigation system to GPS/Beidou or GPS/GLONASS dual-satellite navigation systems by choosing appropriate model type without hardware redesign.

The -BD12 and -GL12 entry level models offer dual-satellite navigation capability, tracking up to 12 GPS/Beidou or 12 GPS/GLONASS signals combined respectively. Its NMEA output is the same format as GPS receivers, thus users can effortlessly upgrade GPS product to GPS/Beidou or GPS/GLONASS product without needing modification on the application software.

The -BD and -GL standard models tracks up to 24 GPS/Beidou or 24 GPS/GLONASS satellite signals combined respectively.

Dual-satellite navigation receiver module receives greater number of satellites than available for GPS-only receivers. The increased satellite number offers superior performance in challenging urban canyon and multipath environments.

The S1216 module contains SkyTraq Venus 8 positioning engine inside, featuring high sensitivity for indoor fix, low power consumption, and fast TTFF. The superior -148dBm cold start sensitivity allows it to acquire, track, and get position fix autonomously in difficult weak signal environment. The receiver's -165dBm tracking sensitivity allows continuous position coverage in nearly all application environments. The high performance signal parameter search engine is capable of testing 16 million time-frequency hypotheses per second, offering industry-leading signal acquisition and TTFF speed.

The S1216 module contains LNA for easy integration with passive antenna and a SAW filter for increased jamming immunity. It works with both passive and active antenna; the self-contained antenna detection and short circuit protection feature enables lowest integration cost for system integrators using active antenna.

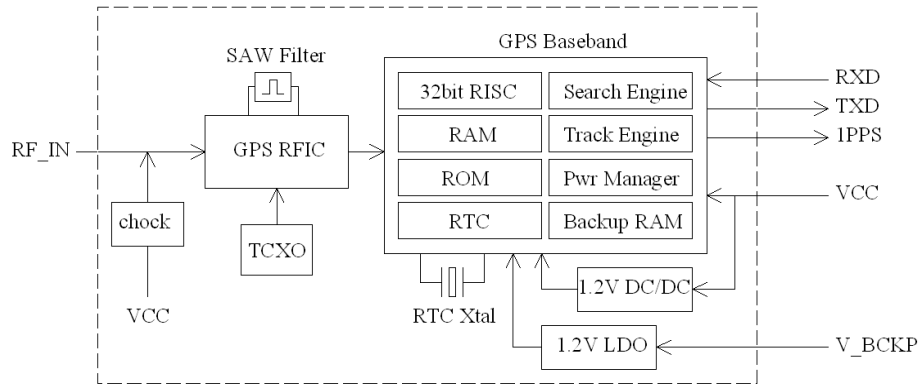
Product Series	Product Description
S1216R8	ROM version GPS receiver module, Venus 8 chipset
S1216F8	Flash version GPS receiver module, Venus 8 chipset
S1216F8-RAW	Flash version GPS receiver module, Venus 8 chipset, output carrier phase raw data
S1216F8-BD	Flash version GPS/Beidou receiver module, Venus 8 chipset
S1216F8-BD12	Flash version GPS/Beidou receiver module, Venus 8 chipset
S1216F8-BD-RAW	Flash version GPS/Beidou receiver module, Venus 8 chipset, output carrier phase raw data
S1216F8-GL	Flash version GPS/GLONASS receiver module, Venus 8 chipset
S1216F8-GL12	Flash version GPS/GLONASS receiver module, Venus 8 chipset

Model Number	Satellite	Max Tracked Signals	Antenna Detection	Antenna Short Protection	7-day server-based AGPS	Self-Aided Ephemeris Estimation	ROM	Flash (Program Upgradeable)	Max Update Rate	UART	I2C	Support GPS-only mode	Support Beidou-only mode	Support GLONASS-only mode	Support GPS/Beidou mode	Support GPS/GLONASS mode
S1216R8	GPS + QZSS + SBAS	14			V		V		40	1		V				
S1216F8	GPS + QZSS + SBAS	14			V	V		V	50	1	1	V				
S1216F8-RAW	GPS + QZSS + SBAS	14			V	V		V	20	1	1	V				
S1216F8-BD	GPS + QZSS + SBAS + Beidou	28	V	V	V	V		V	20	1	1	V	V		V	
S1216F8-BD12	GPS + QZSS + SBAS + Beidou	14	V	V	V	V		V	20	1	1				V	
S1216F8-BD-RAW	GPS + QZSS + SBAS + Beidou	28	V	V	V	V		V	20	1	1	V	V		V	
S1216F8-GL	GPS + QZSS + SBAS + GLONASS	28	V	V	V	V		V	20	1	1	V		V		V
S1216F8-GL12	GPS + QZSS + SBAS + GLONASS	14	V	V	V	V		V	20	1	1					V

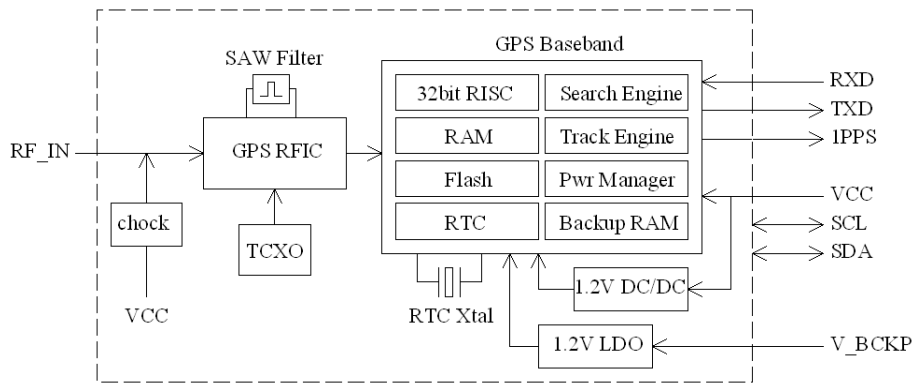
TECHNICAL SPECIFICATIONS

Receiver Type	L1 C/A code, 167-channel Venus 8 engine																					
Receiver Modes	GPS or GPS/Beidou or GPS/GLONASS, depending on model selection																					
Augmentation System	QZSS, WAAS, EGNOS, MSAS, GAGAN																					
Accuracy	Position 2.5m CEP Velocity 0.1m/sec Time 10ns																					
Startup Time	1 / 28 / 29 second hot / warm / cold start under open sky average																					
Reacquisition	1s																					
Sensitivity	-148dBm cold-start -160dBm re-acquisition -165dBm tracking																					
Multi-path Mitigation	Advanced multi-path detection and suppression																					
A-GPS	7-day server-based AGPS (ROM and Flash type) Self-aided ephemeris estimation (Flash type)																					
Update Rate	1 / 2 / 4 / 5 / 8 / 10 / 20 / 25 / 40 Hz for ROM GPS (default 1Hz) 1 / 2 / 4 / 5 / 8 / 10 / 20 / 25 / 40 / 50 Hz for Flash GPS (default 1Hz) 1 / 2 / 4 / 5 / 8 / 10 / 20 Hz update rate for Flash GPS raw data output 1 / 2 / 4 / 5 / 8 / 10 / 20 Hz for GPS/Beidou or GPS/GLONASS (default 1Hz)																					
Dynamics	4G (39.2m/sec ²)																					
Operational Limits	Altitude < 18,000m or velocity < 515m/s, not exceeding both																					
Serial Interface	3.3V LVTTTL level																					
Protocol	NMEA-0183 V3.01, SkyTraq binary, 9600 baud, 8, N, 1																					
Datum	Default WGS-84, User definable																					
Input Voltage	3.3V DC +/-10%																					
Current Consumption	<table border="1"> <thead> <tr> <th>Model Number</th> <th>S1216R8</th> <th>S1216F8</th> <th>S1216F8-BD</th> <th>S1216F8-BD12</th> <th>S1216F8-GL</th> <th>S1216F8-GL12</th> </tr> </thead> <tbody> <tr> <td>Acquisition Current (mA)</td> <td>33</td> <td>38</td> <td>45</td> <td>45</td> <td>45</td> <td>45</td> </tr> <tr> <td>Tracking Current (mA)</td> <td>25</td> <td>30</td> <td>40</td> <td>40</td> <td>40</td> <td>40</td> </tr> </tbody> </table>	Model Number	S1216R8	S1216F8	S1216F8-BD	S1216F8-BD12	S1216F8-GL	S1216F8-GL12	Acquisition Current (mA)	33	38	45	45	45	45	Tracking Current (mA)	25	30	40	40	40	40
Model Number	S1216R8	S1216F8	S1216F8-BD	S1216F8-BD12	S1216F8-GL	S1216F8-GL12																
Acquisition Current (mA)	33	38	45	45	45	45																
Tracking Current (mA)	25	30	40	40	40	40																
Dimension	16.0mm L x 12.2mm W																					
Weight:	1.6g																					
Operating Temperature	-40°C ~ +85°C																					
Storage Temperature	-55 ~ +100°C																					
Humidity	5% ~ 95%																					

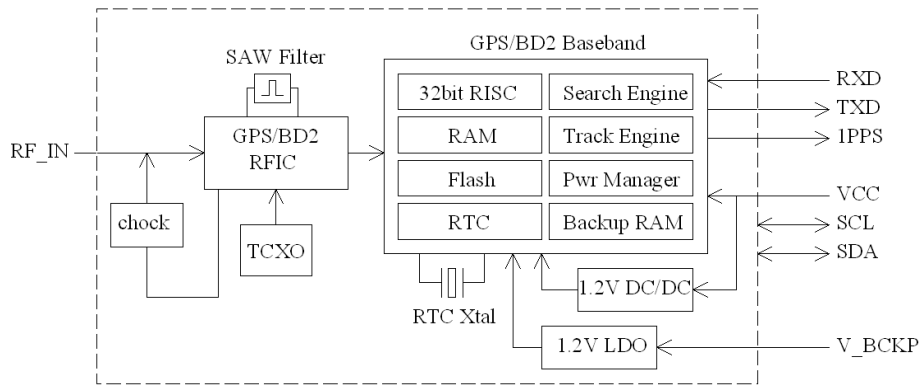
BLOCK DIAGRAM



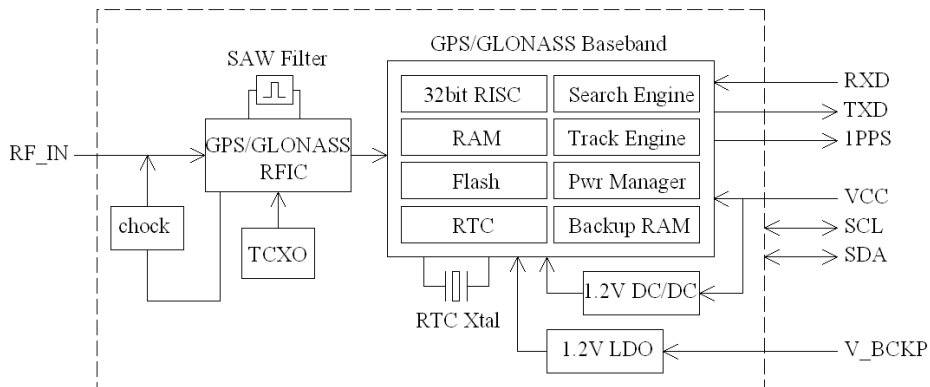
S1216R8



S1216F8 / S1216F8-RAW



S1216F8-BD / S1216F8-BD12 / S1216F8-BD-RAW



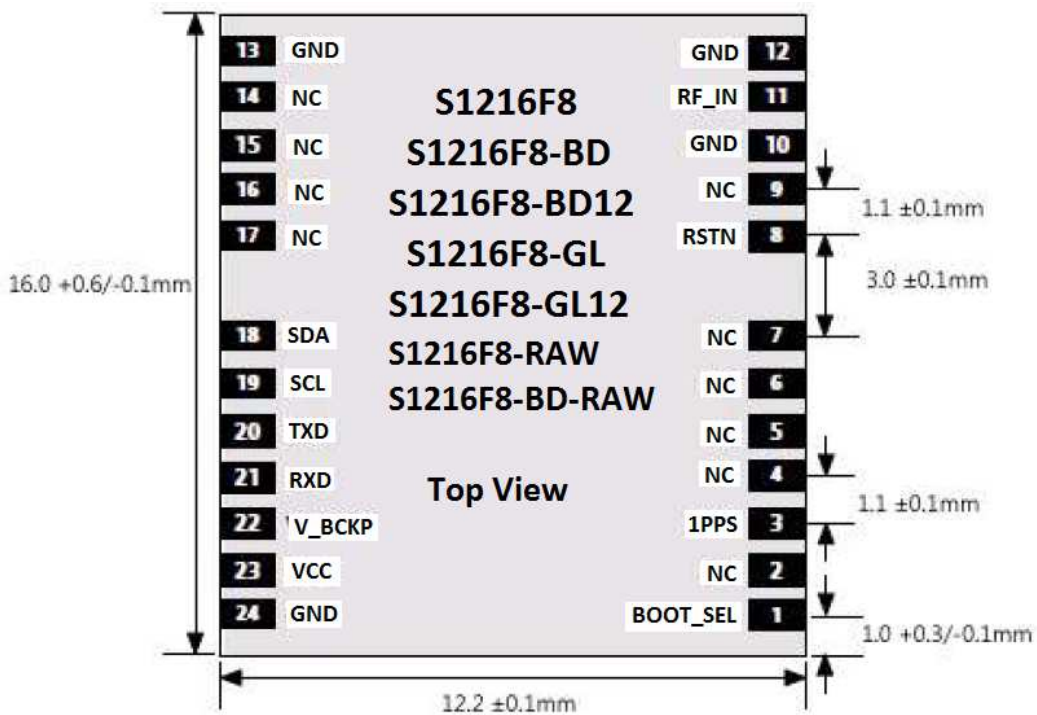
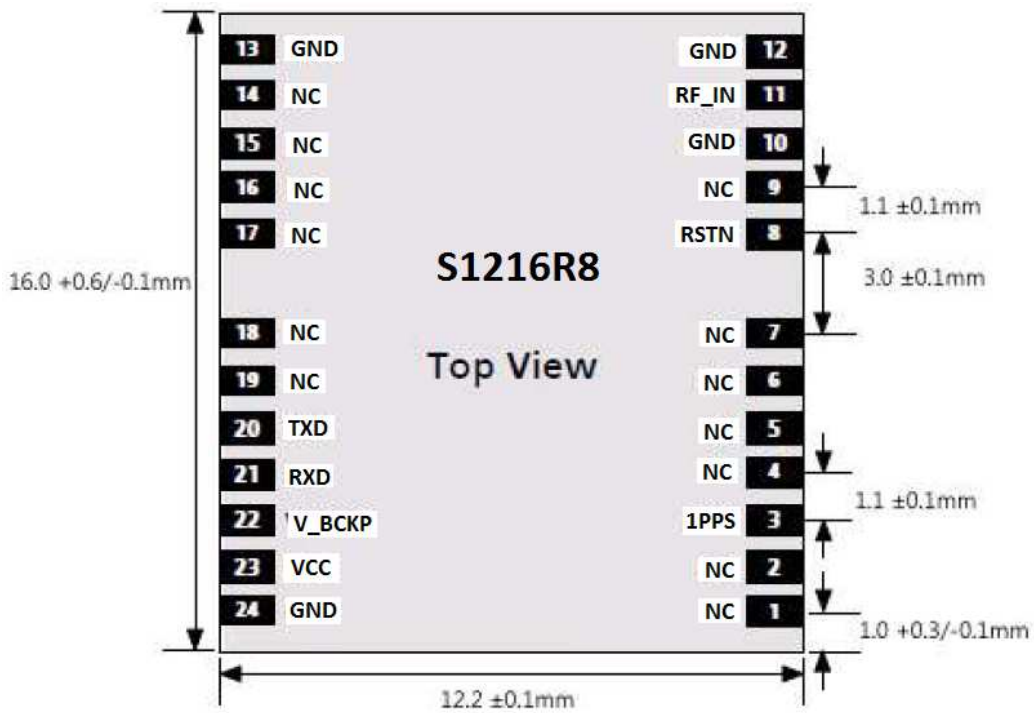
S1216F8-GL / S1216F8-GL12

The S1216 is a high performance satellite navigation receiver in a compact surface mount package. It is based on the SkyTraq Venus 8 positioning technology, providing exceptional signal acquisition performance, and continuous operation even in dense foliage and urban canyons. The module includes internal SAW filter and high performance integrated LNA, works with both active and passive antenna. The simple UART serial interface and the standard NMEA-0183 protocol make usage of S1216 very easy and straightforward.

The S1216 module performs all the necessary system initialization, signal acquisition, signal tracking, data demodulation, and calculation of navigation solution autonomously.



MECHANICAL CHARACTERISTICS



PINOUT DESCRIPTION

Pin No.	Name	Description
1	BOOT_SEL	No connection for normal use. Pull-low for loading firmware into empty or corrupted Flash memory from ROM mode by the module maker.
2	NC	No connection
3	1PPS	One-pulse-per-second (1PPS) time mark output, 3V LVTTTL. The rising edge synchronized to UTC second when getting 3D position fix. The pulse duration is about 800usec at rate of 1 Hz.
4,5,6,7	NC	No connection
8	RSTN	External active-low reset input. Only needed when power supply rise time is very slow or software controlled reset is desired.
9	NC	No connection
10	GND	Ground
11	RF_IN	RF input, connects to antenna. There is 3V DC bias output for powering active antenna. Active antenna detection and short protection is provided.
12,13	GND	Ground
14,15,16,17	NC	No connection
18	SDA	I2C interface data signal, 3V LVTTTL. Currently unused.
19	SCL	I2C interface clock signal, 3V LVTTTL. Currently unused.
20	TXD	UART serial data output, 3V LVTTTL. One full-duplex asynchronous serial UART port is implemented. This UART output is normally used for sending position, time and velocity information from the receiver in NMEA-0183 format. When idle, this pin output HIGH.
21	RXD	UART serial data input, 3V LVTTTL. One full-duplex asynchronous serial UART port is implemented. This UART input is normally for sending commands or information to the receiver in SkyTraq binary protocol. In the idle condition, this pin should be driven HIGH. If the driving circuitry is powered independently of S1216, ensure that this pin is not driven to HIGH when primary power to S1216 is removed, or a 10K-ohm series resistor can be added to minimize leakage current from application to the powered off module.
22	V_BCKP	Backup supply voltage for internal RTC and backup SRAM, 2.5V ~ 3.6V. V_BCKP must be applied whenever VCC is applied. This pin should be powered continuously to minimize the startup time. If VCC and V_BCKP are both removed, the receiver will be in factory default mode upon power up, all user configuration set is lost. For applications the does not care cold starting every time, this pin can be connect to VCC.
23	VCC	Main power supply, 3.0V ~ 3.6V DC
24	GND	Ground

ELECTRICAL SPECIFICATIONS

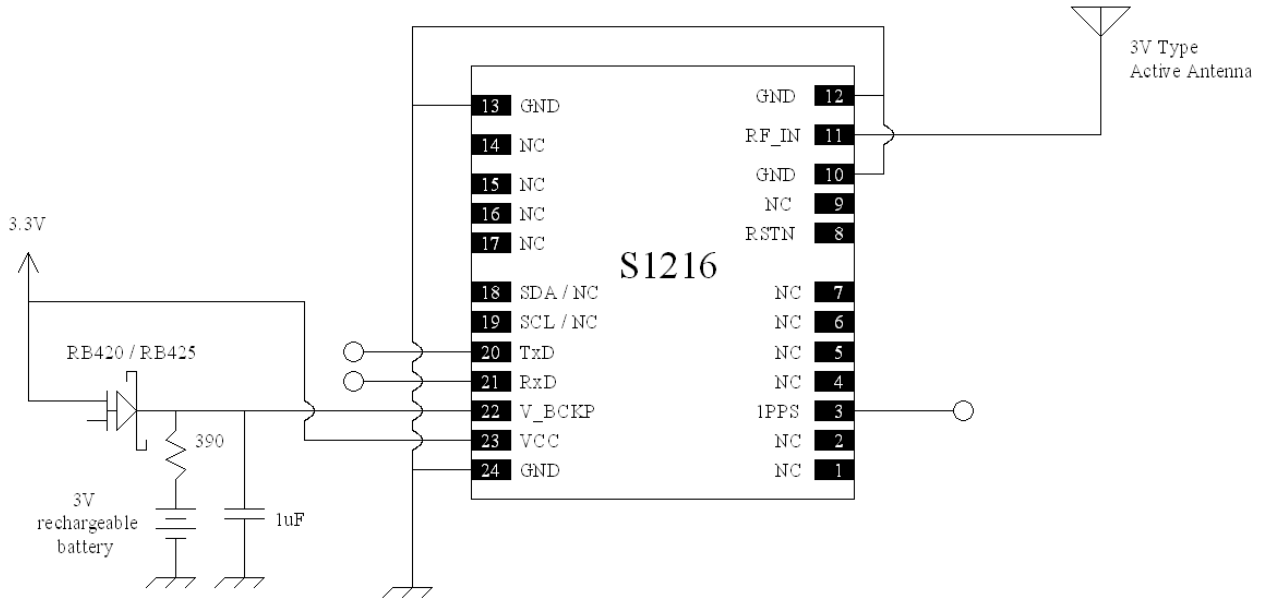
ABSOLUTE MAXIMUM RATINGS

Parameter	Minimum	Maximum	Condition
Supply Voltage (VCC)	-0.5	3.6	Volt
Backup Battery Voltage (V_BCKP)	-0.5	3.6	Volt
Input Pin Voltage	-0.5	VCC+0.5	Volt
Input Power at RF_IN		+5	dBm
Storage Temperature	-55	+100	degC

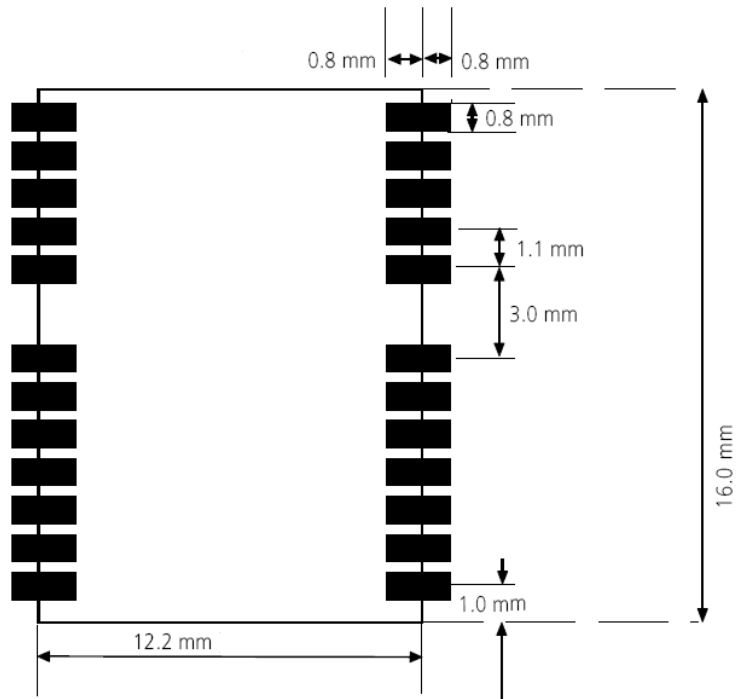
OPERATING CONDITIONS

Parameter	Min	Typ	Max	Unit
Supply Voltage (VCC)	3	3.3	3.6	Volt
Acquisition Current (exclude active antenna current)				
		S1216R8	33	mA
		S1216F8, S1216F8-RAW	38	mA
		S1216F8-BD, S1216F-BD12, S1216F-GL, S1216F-GL12, S1216F8-BD-RAW	45	mA
Tracking Current (exclude active antenna current)				
		S1216R8	25	mA
		S1216F8, S1216F8-RAW	30	mA
		S1216F8-BD, S1216F-BD12, S1216F-GL, S1216F-GL12, S1216F8-BD-RAW	39	mA
Backup Voltage (V_BCKP)	2.5		3.6	Volt
Backup Current (VCC voltage applied)			0.5	mA
Backup Current (VCC voltage off)			35	uA
Output Low Voltage			0.4	Volt
Output HIGH Voltage	2.4			Volt
Input LOW Voltage			0.8	Volt
Input HIGH Voltage	2			Volt
Input LOW Current	-10		10	uA
Input HIGH Current	-10		10	uA
RF Input Impedance (RF_IN)		50		Ohm
RF_IN short circuit current limit			70	mA
VCC to RF_IN voltage drop with 5mA active antenna loading		0.33		V
VCC to RF_IN voltage drop with 10mA active antenna loading		0.42		V
VCC to RF_IN voltage drop with 20mA active antenna loading		0.60		V
VCC to RF_IN voltage drop with 30mA active antenna loading		0.77		V

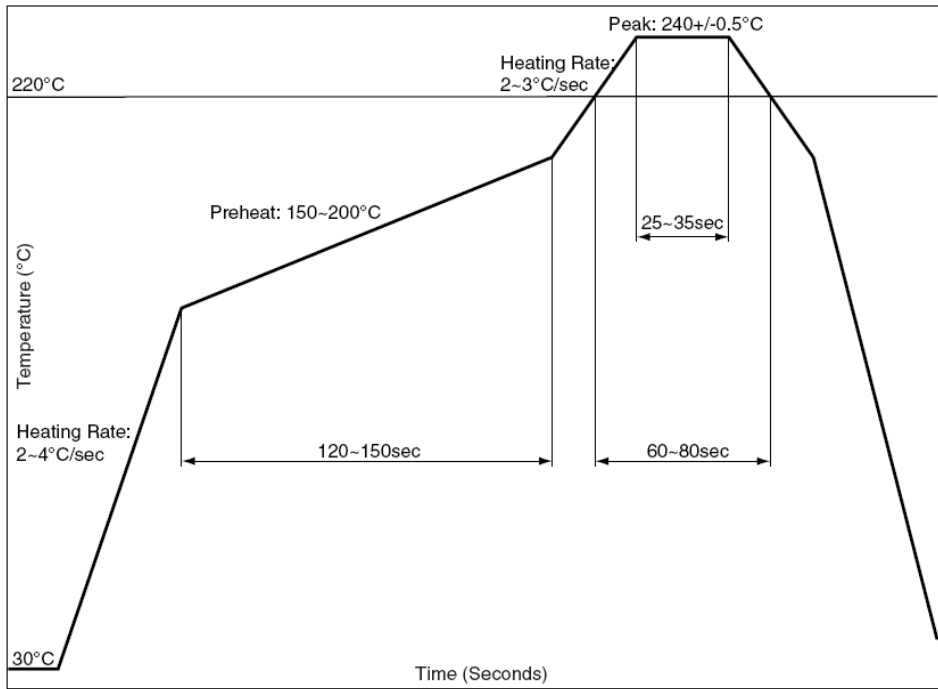
APPLICATION CIRCUIT



RECOMMENDED FOOTPRINT



RECOMMENDED REFLOW PROFILE



The reflow profile shown above should not be exceeded, since excessive temperatures or transport times during reflow can damage the module. Cooling temperature fall rate: max 3°C / sec

ANTENNA CONSIDERATIONS

The S1216 is designed to use with a wide variety of active and passive antennas, but care must be taken during antenna selection to ensure optimum signal reception performance. There are many choices of antenna configurations; the best choice is often a tradeoff between size, gain, bandwidth and cost. The best way is to test multiple antenna solutions in the configuration of the final system to determine which provides the best overall performance.

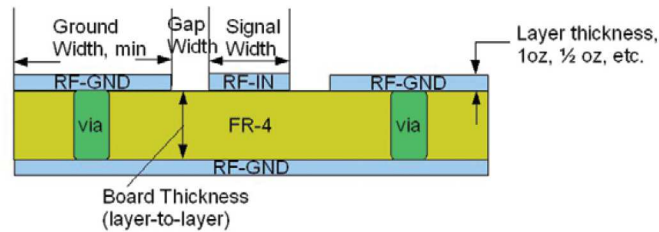
Ceramic patch antenna is low-cost and provides good sensitivity. 50-ohm output ceramic patch antenna can be connected directly to RF input of the module. Usually the antenna and S1216 are mounted on opposite side of the PCB to reduce possibility of picking up digital noise. To improve signal reception performance, use larger ground plane under the patch antenna if possible; larger the ground plane, larger the overall antenna gain. The center frequency of the ceramic patch antenna changes with ground plane size. For optimal GPS/Beidou or GPS/GLONASS or GPS operation, frequency bandwidth of the antenna needs to cover 1559MHz ~ 1577MHz or 1574MHz ~ 1605MHz or 1574MHz ~ 1577MHz respectively when mounted on the PCB. It is usual to ask the ceramic patch antenna vendor to select or tune a patch antenna that best matches the customer PCB.

Active antenna is essentially a passive antenna with built-in LNA and a coaxial cable to connect the antenna to the module. It has the flexibility of being located remotely from the module, but requires antenna power. Active antenna usually costs more than passive patch antenna, but the performance in low signal environments is usually better. When using active antenna, an external bias choke inductor is used to provide DC bias for the active antenna. Active antenna with gain up to 30dB and noise figure less than 1.5dB can be used with S1216.

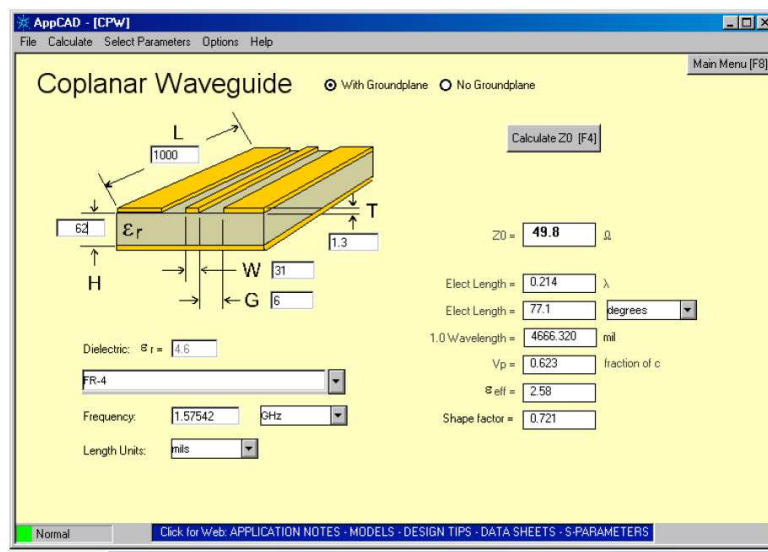
Chip antenna is often desired for its small size. Matching element of the chip antenna needs to be designed-in according to the chip antenna datasheet. If application doesn't have a large ground plane as shown in the datasheet for the measured performance spec condition, testing will be needed to determine if it can provide acceptable performance with the smaller sized application PCB.

Antenna Type	S1216R8 / S1216F8		S1216F8-BD / S1216F8-BD12		S1216F-GL / S1216F-GL12	
	Passive	Active	Passive	Active	Passive	Active
GPS Frequency (MHz)	1575.42 +/- 2	1575.42 +/- 2	1575.42 +/- 2	1575.42 +/- 2	1575.42 +/- 2	1575.42 +/- 2
Beidou Frequency (MHz)			1561.098 +/- 3	1561.098 +/- 3		
GLONASS Frequency (MHz)					1602 +/- 4	1602 +/- 4
VSWR	< 2 (typical)	< 2 (typical)	< 2 (typical)	< 2 (typical)	< 2 (typical)	< 2 (typical)
Polarization	RHCP or Linear	RHCP or Linear	RHCP or Linear	RHCP or Linear	RHCP or Linear	RHCP or Linear
Antenna Gain	> 0dBi	> -2dBi	> 0dBi	> -2dBi	> 0dBi	> -2dBi
LNA Gain		20dB (typical)		20dB (typical)		20dB (typical)
Noise Figure		< 1.5dB		< 1.5dB		< 1.5dB
Total Gain		> 18dBi		> 18dBi		> 18dBi

The signal path from antenna to RF input of S1216 is the most critical part of application design. The goal is to provide optimal 50-ohm match between a 50Ω antenna and the module 50-ohm RF input for maximum power transfer. The 50-ohm grounded coplanar wave guide, consisting of the RF input signal with RF ground on either sides and a RF ground underneath, is a good choice for efficiency.



For a two-layer FR4 PCB design with 1.6mm thickness, 4.6 dielectric constant, and 1oz copper the RF-input trace should be 31mil in width, the gap to the adjacent grounds should be 6mil, and each of the RF grounds should be at least twice the width of the input signal trace (62mil). Freeware program such as AppCAD can be used to calculate values required for other configurations.



POWER SUPPLY REQUIREMENT

S1216 requires a stable power supply, avoid ripple on VCC pin (<50mVpp). Power supply noise can affect the receiver's sensitivity. Bypass capacitors of 10uF and 0.1uF is recommended to be placed close to the module VCC pin; the values could be adjusted according to the amount and type of noise present on the supply line.

BACKUP SUPPLY

The purpose of backup supply voltage pin (V_BCKP) is to keep the SRAM memory and the RTC powered when the module is powered down. This enables the module to have a faster time-to-first-fix when the module is powered on again. The backup current drain is less than 35 μ A. In normal powered on state, the internal processor access the SRAM and current drain is higher in active mode

1PPS OUTPUT

A 1 pulse per second signal (4ms HIGH duration) is generated on 1PPS pin when the receiver has 3D position fix using 4 or more satellites. The rising edge of the pulse is aligned with UTC second, with accuracy of about 10nsec. It outputs constant LOW when no position fix is available.

LAYOUT GUIDELINES

Separate RF and digital circuits into different PCB regions.

It is necessary to maintain 50-ohm impedance throughout the entire RF signal path. Try keeping the RF signal path as short as possible.

Do not route the RF signal line near noisy sources such as digital signals, oscillators, switching power supplies, or other RF transmitting circuit. Do not route the RF signal under or over any other components (including S1216), or other signal traces. Do not route the RF signal path on an inner layer of a multi-layer PCB to minimize signal loss.

Avoid sharp bends for RF signal path. Make two 45-deg bends or a circular bend instead of a single 90-degree bend if needed.

Avoid vias with RF signal path whenever possible. Every via adds inductive impedance. Vias are acceptable for connecting the RF grounds between different layers. Each of the module's ground pins should have short trace tying immediately to the ground plane below through a via.

The bypass capacitors should be low ESR ceramic types and located directly adjacent to the pin they are for.

HANDLING GUIDELINE

The S1216 modules are rated MSL4, must be used for SMT reflow mounting within 72 hours after taken out from the vacuumed ESD-protective moisture barrier bag in factory condition < 30degC / 60% RH. If this floor life time is exceeded, or if the received ESD-protective moisture barrier bag is not in vacuumed state, then the device need to be pre-baked before SMT reflow process. Baking is to be done at 85degC for 8 to 12 hours. Once baked, floor life counting begins from 0, and has 72 hours of floor life at factory condition < 30degC / 60% RH.

S1216 module is ESD sensitive device and should be handled with care.

NMEA Output Description

The output protocol supports NMEA-0183 standard. The implemented messages include GGA, GLL, GSA, GSV, VTG, RMC, ZDA and GNS messages. The NMEA message output has the following sentence structure:

\$aacc,c-c*hh<CR><LF>

The detail of the sentence structure is explained in Table 1.

Table 1: The NMEA sentence structure

character	HEX	Description
"\$"	24	<u>Start of sentence.</u>
Aacc		<u>Address field.</u> "aa" is the talker identifier. "ccc" identifies the sentence type.
","	2C	<u>Field delimiter.</u>
C-c		<u>Data sentence block.</u>
"*"	2A	<u>Checksum delimiter.</u>
Hh		<u>Checksum field.</u>
<CR><LF>	0D0A	<u>Ending of sentence.</u> (carriage return, line feed)

Table 2: Overview of SkyTraq receiver's NMEA messages for S1216R8, S1216F8, S1216F8-BD12, S1216F8-GL12

\$GPGGA	Time, position, and fix related data of the receiver.
\$GPGLL	Position, time and fix status.
\$GPGSA	Used to represent the ID's of satellites which are used for position fix.
\$GPGSV	Satellite information about elevation, azimuth and CNR
\$GPRMC	Time, date, position, course and speed data.
\$GPVTG	Course and speed relative to the ground.
\$GPZDA	UTC, day, month and year and time zone.

Table 3: Overview of SkyTraq receiver's NMEA messages for S1216F8-BD

\$GNNGGA	Time, position, and fix related data of the receiver.
\$GNGLL	Position, time and fix status.
\$GNNGSA \$GPGSA \$BDGSA	Used to represent the ID's of satellites which are used for position fix. When both GPS and Beidou satellites are used in position solution, a \$GNNGSA sentence is used for GPS satellites and another \$GPGSA sentence is used for Beidou satellites. When only GPS satellites are used for position fix, a single \$GPGSA sentence is output. When only Beidou satellites are used, a single \$BDGSA sentence is output.
\$GPGSV \$BDGSV	Satellite information about elevation, azimuth and CNR, \$GPGSV is used for GPS satellites, while \$BDGSV is used for Beidou satellites
\$GNRMC	Time, date, position, course and speed data.
\$GNVTG	Course and speed relative to the ground.
\$GNZDA	UTC, day, month and year and time zone.

Table 4: Overview of SkyTraq receiver's NMEA messages for S1216F8-GL

\$GNNGGA	Time, position, and fix related data of the receiver.
\$GNGLL	Position, time and fix status.
\$GNNGSA \$GPGSA \$GLGSA	Used to represent the ID's of satellites which are used for position fix. When both GPS and GLONASS satellites are used in position solution, a \$GNNGSA sentence is used for GPS satellites and another \$GPGSA sentence is used for GLONASS satellites. When only GPS satellites are used for position fix, a single \$GPGSA sentence is output. When only GLONASS satellites are used, a single \$GLGSA sentence is output.
\$GPGSV \$GLGSV	Satellite information about elevation, azimuth and CNR, \$GPGSV is used for GPS satellites, while \$GLGSV is used for GLONASS satellites
\$GNRMC	Time, date, position, course and speed data.
\$GNVTG	Course and speed relative to the ground.
\$GNZDA	UTC, day, month and year and time zone.

The formats of the supported NMEA messages are described as follows:

GGA – Global Positioning System Fix Data

Time, position and fix related data for a GPS receiver.

Format:

\$--GGA,hhmmss.sss,llll.llll,a,yyyyy.yyyy,a,x,uu,v.v,w.w,M,x.x,M,,zzzz*hh<CR><LF>

Field	Name	Description
hhmmss.sss	UTC Time	UTC of position in hhmmss.sss format, (000000.000 ~ 235959.999)
llll.llll	Latitude	Latitude in ddmm.mmmm format. Leading zeros are inserted.
A	N/S Indicator	'N' = North, 'S' = South
yyyyy.yyyy	Longitude	Longitude in dddmm.mmmm format. Leading zeros are inserted.
A	E/W Indicator	'E' = East, 'W' = West
x	GPS quality indicator	GPS quality indicator 0: position fix unavailable 1: valid position fix, SPS mode 2: valid position fix, differential GPS mode
uu	Satellites Used	Number of satellites in use, (00 ~ 24)
v.v	HDOP	Horizontal dilution of precision, (0.0 ~ 99.9)
w.w	Altitude	Mean sea level altitude (-9999.9 ~ 17999.9) in meter
x.x	Geoidal Separation	In meter
zzzz	DGPS Station ID	Differential reference station ID, 0000 ~ 1023 NULL when DGPS not used
hh	Checksum	

GLL – Geographic Position – Latitude/Longitude

Latitude and longitude of vessel position, time of position fix and status.

Format:

\$--GLL,llll.llll,a,yyyyy.yyyy,b,hhmmss.sss,A,a*hh<CR><LF>

Field	Name	Description
llll.llll	Latitude	Latitude in ddmm.mmmm format. Leading zeros are inserted.
A	N/S Indicator	'N' = North, 'S' = South
yyyyy.yyyy	Longitude	Longitude in dddmm.mmmm format. Leading zeros are inserted.
B	E/W Indicator	'E' = East, 'W' = West
hhmmss.sss	UTC Time	UTC of position in hhmmss.sss format, (000000.000 ~ 235959.999)
A	Status	A= data valid, V= Data not valid
hh	Checksum	

GSA – GNSS DOP and Active Satellites

GPS receiver operating mode, satellites used in the navigation solution reported by the GGA or GNS sentence and DOP values.

Format:

\$--GSA,a,x,xx,xx,xx,xx,xx,xx,xx,xx,xx,xx,xx,u.u,v.v,z.z*hh<CR><LF>

Field	Name	Description
a	Mode	Mode 'M' = Manual, forced to operate in 2D or 3D mode 'A' = Automatic, allowed to automatically switch 2D/3D
x	Mode	Fix type 1 = Fix not available 2 = 2D 3 = 3D
xx's	Satellite ID	01 ~ 32 are for GPS; 33 ~ 64 are for WAAS (PRN minus 87); 65 ~ 96 are for GLONASS (64 plus slot numbers); 193 ~ 197 are for QZSS; 01 ~ 37 are for Beidou (BD PRN). GPS and Beidou satellites are differentiated by the GP and BD prefix. Maximally 12 satellites are included in each GSA sentence.
u.u	PDOP	Position dilution of precision (0.0 to 99.9)
v.v	HDOP	Horizontal dilution of precision (0.0 to 99.9)
z.z	VDOP	Vertical dilution of precision (0.0 to 99.9)
hh	Checksum	

GSV – GNSS Satellites in View

Number of satellites (SV) in view, satellite ID numbers, elevation, azimuth, and SNR value. Four satellites maximum per transmission.

Format:

\$--GSV,x,u,xx,uu,vv,zzz,ss,uu,vv,zzz,ss,...,uu,vv,zzz,ss*hh<CR><LF>

Field	Name	Description
x	Number of message	Total number of GSV messages to be transmitted (1-4)
u	Sequence number	Sequence number of current GSV message
xx	Satellites in view	Total number of satellites in view (00 ~ 16)
uu	Satellite ID	01 ~ 32 are for GPS; 33 ~ 64 are for WAAS (PRN minus 87); 65 ~ 96 are for GLONASS (64 plus slot numbers); 193 ~ 197 are for QZSS; 01 ~ 37 are for Beidou (BD PRN). GPS and Beidou satellites are differentiated by the GP and BD prefix. Maximally 4 satellites are included in each GSV sentence.
vv	Elevation	Satellite elevation in degrees, (00 ~ 90)
zzz	Azimuth	Satellite azimuth angle in degrees, (000 ~ 359)
ss	SNR	C/No in dB (00 ~ 99) Null when not tracking
hh	Checksum	

RMC – Recommended Minimum Specific GNSS Data

Time, date, position, course and speed data provided by a GNSS navigation receiver.

Format:

\$--RMC,hhmmss.sss,x,llll.llll,a,yyyyy.yyyy,a,x.x,u,u,xxxxxx,,,v*hh<CR><LF>

Field	Name	Description
hhmmss.sss	UTC time	UTC time in hhmmss.sss format (000000.000 ~ 235959.999)
x	Status	Status 'V' = Navigation receiver warning 'A' = Data Valid
llll.llll	Latitude	Latitude in dddmm.mmmm format. Leading zeros are inserted.
A	N/S indicator	'N' = North; 'S' = South
yyyyy.yyyy	Longitude	Longitude in dddmm.mmmm format. Leading zeros are inserted.
A	E/W Indicator	'E' = East; 'W' = West
x.x	Speed over ground	Speed over ground in knots (000.0 ~ 999.9)
u.u	Course over ground	Course over ground in degrees (000.0 ~ 359.9)
xxxxxx	UTC Date	UTC date of position fix, ddmmyy format
v	Mode indicator	Mode indicator 'N' = Data not valid 'A' = Autonomous mode 'D' = Differential mode 'E' = Estimated (dead reckoning) mode
hh	checksum	

VTG – Course Over Ground and Ground Speed

The actual course and speed relative to the ground.

Format:

\$--VTG,x.x,T,y.y,M,u.u,N,v.v,K,m*hh<CR><LF>

Field	Name	Description
x.x	Course	Course over ground, degrees True (000.0 ~ 359.9)
y.y	Course	Course over ground, degrees Magnetic (000.0 ~ 359.9)
u.u	Speed	Speed over ground in knots (000.0 ~ 999.9)
v.v	Speed	Speed over ground in kilometers per hour (0000.0 ~ 1800.0)
m	Mode	Mode indicator 'N' = not valid 'A' = Autonomous mode 'D' = Differential mode 'E' = Estimated (dead reckoning) mode
hh	Checksum	

ZDA – Time and Date

UTC, day, month, year and local time zone.

Format:

\$--ZDA,hhmmss.sss,dd,mm,yyyy,xx,yy*hh<CR><LF>

Field	Name	Description
hhmmss.sss	UTC time	UTC time in hhmmss.sss format (000000.000 ~ 235959.999)
dd	UTC day	01 to 31
mm	UTC month	01 to 12
yyyy	UTC year	Four-digit year number
xx	Local zone hours	00 to +-13
yy	Local zone minutes	00 to +59
hh	Checksum	

STI,001 – Active Antenna Status Report

An output message, ID 0x001, contains information of active antenna status. The status indicator is output upon power-on reset and change of active antenna connection state.

Structure:

\$PSTI,001,x*hh<CR><LF>

1 2 3

Example:

\$PSTI,001,3*1C<CR><LF>

Field	Name	Example	Description
1	001	001	Proprietary NMEA message identifier
2	Antenna Status	3	0 : active antenna input short circuit 1 : active antenna input open unconnected 3 : active antenna input connection OK normal
3	Checksum	1C	

ORDERING INFORMATION

Model Name	Description
S1216R8	ROM Version GPS Receiver Module
S1216F8	Flash Version GPS Receiver Module
S1216F8-RAW	Flash Version GPS Receiver Module, output carrier phase raw data
S1216F8-BD	Flash Version GPS/Beidou Receiver Module
S1216F8-BD12	Flash Version GPS/Beidou Receiver Module
S1216F8-BD-RAW	Flash Version GPS/Beidou Receiver Module, output carrier phase raw data
S1216F8-GL	Flash Version GPS/GLONASS Receiver Module
S1216F8-GL12	Flash Version GPS/GLONASS Receiver Module

Revision History

Revision	Date	Description
0.1	June 11, 2013	Initial release
0.2	June 16, 2013	Updated pin-9,21 description
0.3	July 26, 2013	Updated page-3 feature table Updated page-5 figures
0.4	Aug 16, 2013	Updated page-3,4 update rate
0.5	Sep 17, 2013	Updated page-9 operating conditions
0.6	Nov 14, 2014	Updated page-5 figure and GSV description
0.7	Oct 8, 2014	Added S1216F8-RAW, S1216F8-BD-RAW
0.8	Nov 18, 2014	Update NMEA sec / latitude / longitude decimal digit and DOP w/o leading zero in NMEA structure description
0.9	Nov 28, 2014	Update 1PPS pulse width

The information provided is believed to be accurate and reliable. These materials are provided to customers and may be used for informational purposes only. No responsibility is assumed for errors or omissions in these materials, or for its use. Changes to specification can occur at any time without notice.

These materials are provided "as is" without warranty of any kind, either expressed or implied, relating to sale and/or use including liability or warranties relating to fitness for a particular purpose, consequential or incidental damages, merchantability, or infringement of any patent, copyright or other intellectual property right. No warrant on the accuracy or completeness of the information, text, graphics or other items contained within these materials. No liability assumed for any special, indirect, incidental, or consequential damages, including without limitation, lost revenues or lost profits, which may result from the use of these materials.

The product is not intended for use in medical, life-support devices, or applications involving potential risk of death, personal injury, or severe property damage in case of failure of the product.
