



MAUI Module Radio Board

Board Function	Page
Title Page	1
ZG100S Interface	2
IO Port Conn	3
WSTK Connectors	4


Revision History

Rev.	Description
A00	Initial Version

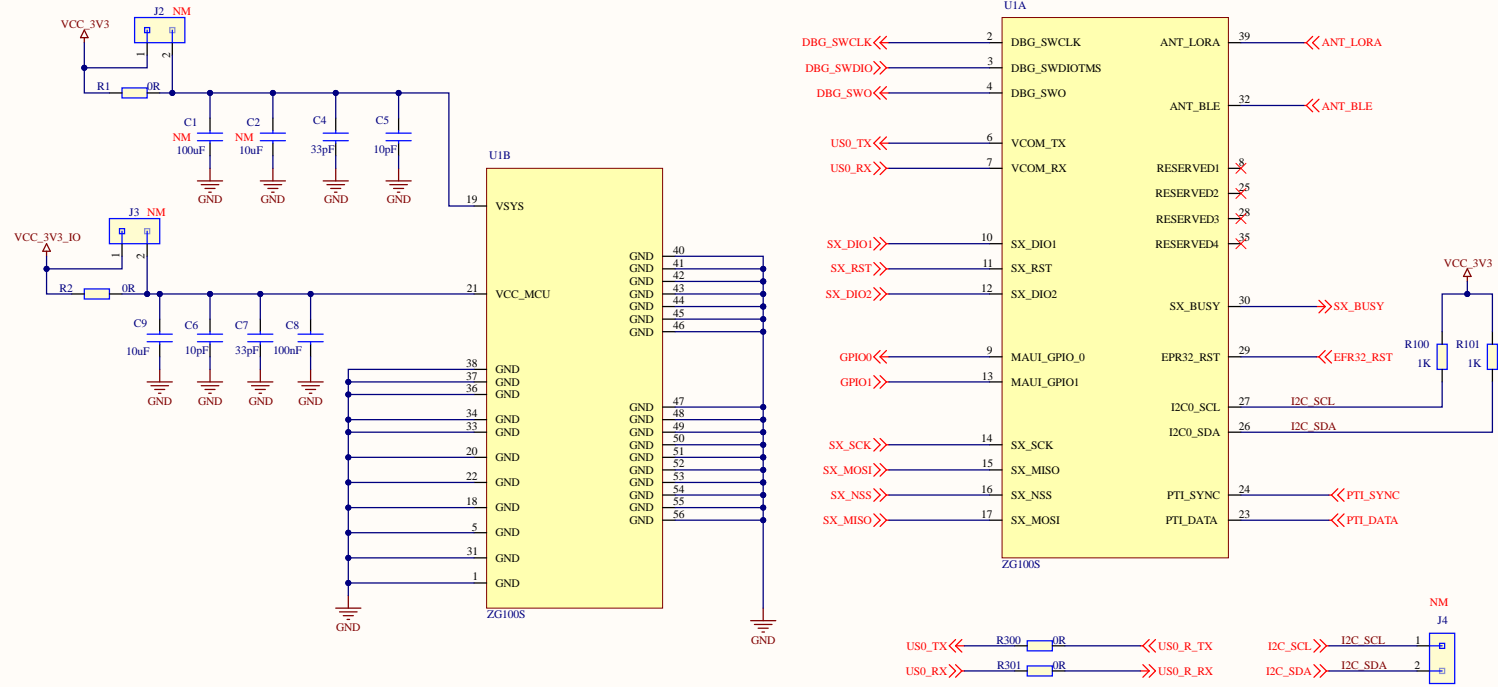


PCB4332A

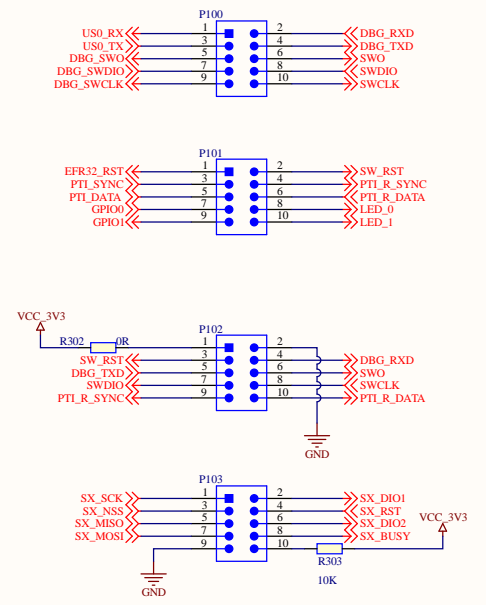
LEGAL NOTICE:
SILICON LABORATORIES INC. ("SILICON LABS") AND/OR ITS LICENSORS DO NOT WARRANT THE ACCURACY OR COMPLETENESS OF THIS SCHEMATIC OR ANY INFORMATION CONTAINED WITHIN THIS SCHEMATIC. IT IS PROVIDED "AS-IS" FOR REFERENCE ONLY. SILICON LABS DOES NOT WARRANT THAT THIS DESIGN WILL MEET THE SPECIFICATIONS, BE SUITABLE FOR YOUR APPLICATION OR FIT FOR ANY PARTICULAR PURPOSE, OR WILL OPERATE IN YOUR IMPLEMENTATION. SILICON LABS AND ITS LICENSORS DO NOT WARRANT THAT THE DESIGN IMPLIED IN THIS SCHEMATIC IS PRODUCTION-WORTHY. YOU SHOULD COMPLETELY VALIDATE AND TEST YOUR DESIGN IMPLEMENTATION TO CONFIRM SYSTEM FUNCTIONALITY FOR YOUR APPLICATION.

 SILICON LABS		Schematic Title	
		Maui Module Radio Board	
Designed: DDC Approved: PSR		Page Title	
		Title Page	
Size: A3	BOM Doc No:	Document number	Revision
		BRD4332A	PA00
Design Created Date:	Sheet Created Date	Sheet Modified Date	Sheet
		*	1 of 4

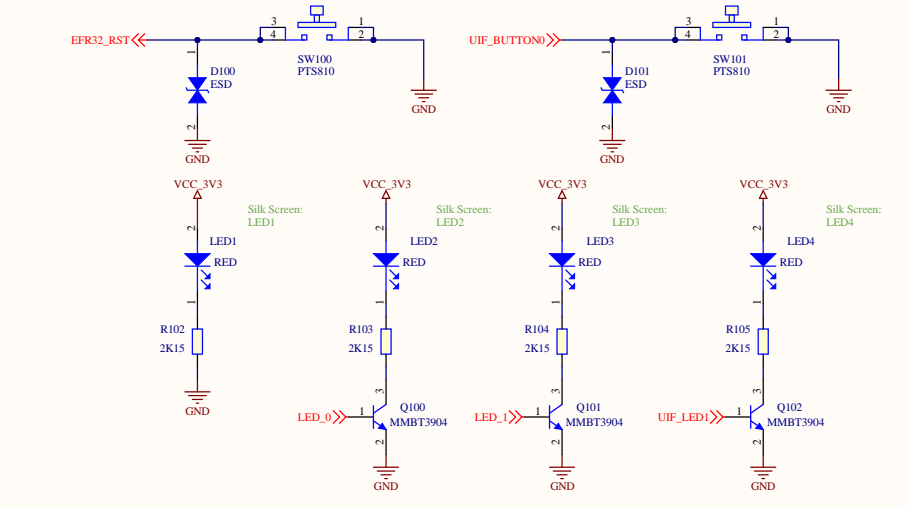
ZG100S INTERFACE



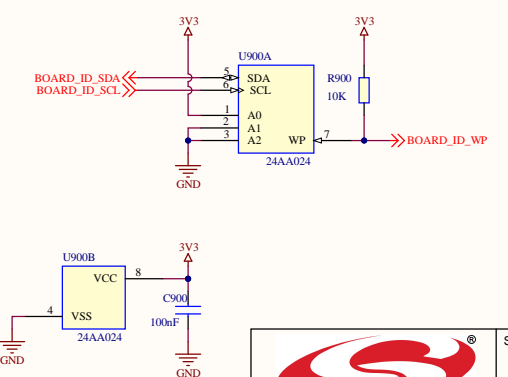
Headers



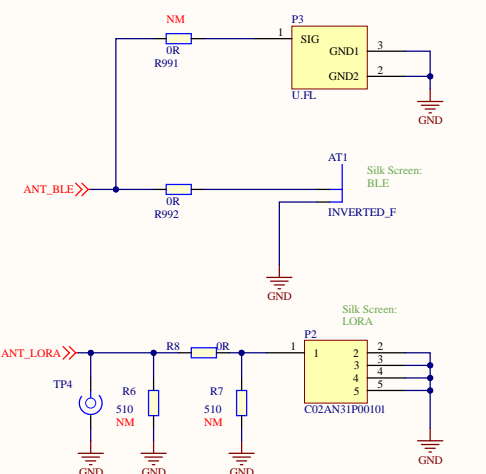
LED and Switches



Board Identification

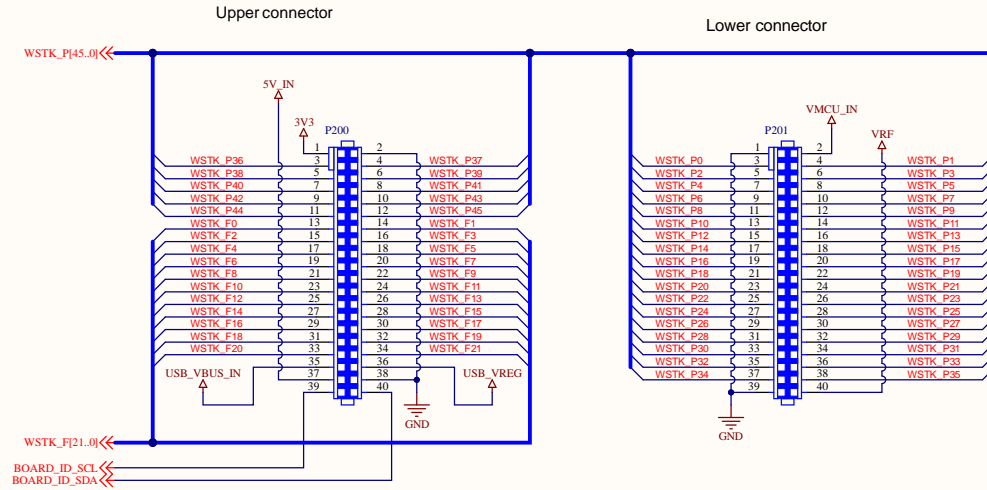


Antenna - BLE and LORA



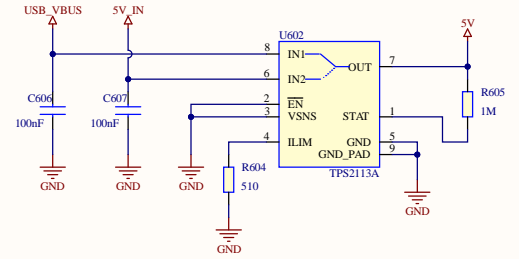
		Schematic Title	
		Maui Module Radio Board	
SILICON LABS		Page Title	
		ZG100S Interface	
Designed: DDC	Approved: PSR	Document number	Revision
Size: A3	BOM Doc No:	BRD4332A	PA00
Design Created Date:	Sheet Created Date	Sheet Modified Date	Sheet 2 of 4

WSTK Connectors

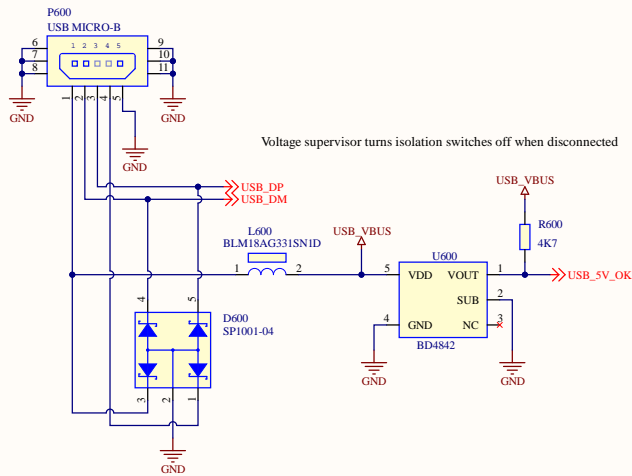


Power MUX

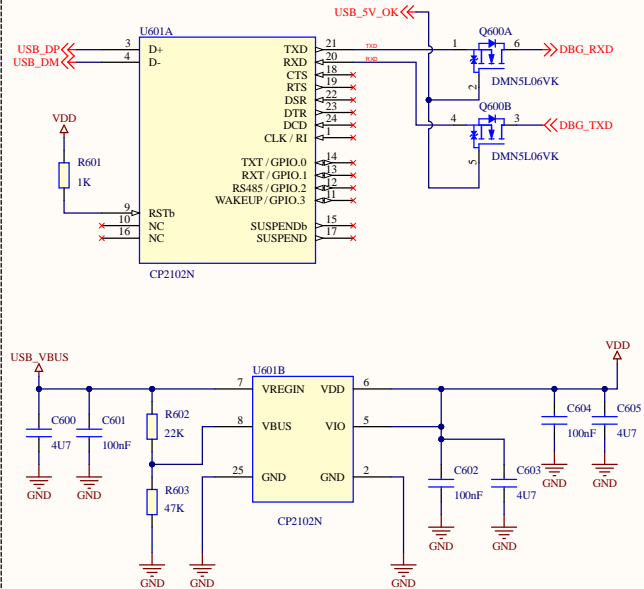
Power MUX selection		
Pin Name	Function	Priority
IN1	USB_VBUS	IN1=IN2->IN2
IN2	5V_EXP_RPI	IN1>IN2->IN1 IN1<IN2->IN2



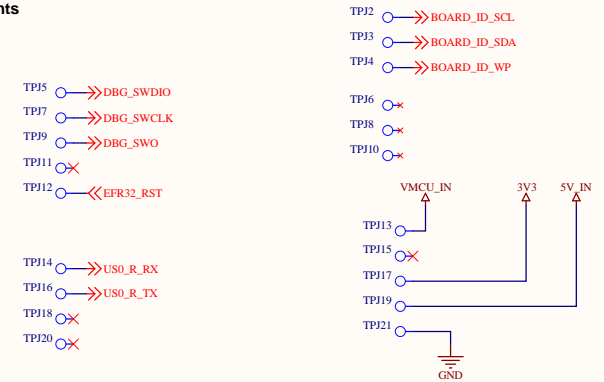
USB Interface



USB to UART Conversion



Test Points



		Schematic Title	
		Maui Module Radio Board	
SILICON LABS		Page Title	
		WSTKConnectors	
Designed: DDC	Approved: PSR	Document number	Revision
Size: A3	BOM Doc No:	BRD4332A	PA00
Design Created Date:	Sheet Created Date:	Sheet Modified Date:	Sheet 4 of 4