

Day-Brite

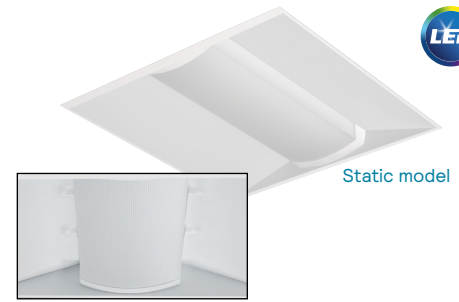


by Signify

Recessed

EvoGrid 2x2

2EVG up to 5400 lumens



Air return model

Project: _____
 Location: _____
 Cat.No: _____
 Type: _____
 Lamps: _____ Qty: _____
 Notes: _____

Day-Brite / CFI EvoGrid recessed utilizes highly reliable and efficient Philips LED platform boards and dimmable driver enabling market leading performance in its category. Its soft opal diffuser with large luminous area minimizes apparent brightness compared to other basket luminaires and provides general lighting perfect for a wide variety of applications.

Ordering guide – standard and wireless controls

example: 2EVG30L840-2-D-UNV-DIM

Width	Family	Ceiling Type	Air Function	Lumens (nominal delivered)	Color	Length	Center Diffuser	Voltage	Driver	Options
2	EV	G			–	2	–	–	–	
2 2'	EV EvoGrid	G Grid	blank Static H Air Return	30L 3000 38L 3800 45L 4500 54L 5400 Other lumen packages may be ordered in increments of 100lm from 3000 to 5400 lumens	830 80 CRI, 3000K 835 80 CRI, 3500K 840 80 CRI, 4000K 850 80 CRI, 5000K	2 2'	D Diffuse (opal) DS Diffuse smooth (opal) R Diffuse round ribbed (opal) RS Diffuse round smooth (opal)	UNV Universal Voltage, 120-277 volt 120 ² 120V 277 ² 277V 347 347V	DIM ¹ Dimming SDIM Step dimming to 40% input power XDIM ² MarkX phase dimming LDE Lutron LDES, 5% dimming DALI DALI	F1 3/8" flex, 3 wire 18 gauge 6' F2 3/8" flex, 4 wire 18 gauge 6' F1/D 3/8" twin flex, 3 wire 18 gauge 6' for dimmable luminaires F2/5W 3/8" single flex, 5 wire 18 gauge 6' for dimmable luminaires F2/6W 3/8" single flex, 6 wire 18 gauge 6' for dimmable and emergency luminaires GLR Fusing, fast blow ER100 ^{6,7} UL924 listed sensor bypass relay, factory installed between driver & sensor GTD/E ⁸ UL924 listed Bodine GTD factory installed on driver input GTD/SNSR ^{6,7} UL924 listed Bodine GTD installed between driver & sensor EMLED Integral emergency battery pack, 1100lm nominal (ballast enclosure on top of luminaire) DSC Quick driver disconnect SWZCS ^{3,4} Interact Pro scalable sensor with integral daylight & occupancy sensing, advanced grouping with dwell time SWZDT ³ SpaceWise only sensor, daylighting and occupancy, advanced grouping with dwell time RADIO ³ Interact Pro RF sensor, enables wireless connected lighting control IAOSB ^{3,4} Interact Office advanced wireless sensor bundle, integral SC1500 w/IoT capabilities for enterprise scale projects CHIC Chicago Plenum rated CRM ⁵ Continuous row mount TAP Top access plate AG Antimicrobial finish BAC ⁸ Meets the requirements of the Buy American Act of 1933 (BAA)

- Integral controls options dimmable to 5% via wireless all switch. Non-controls configurations are 0-10V dimmable to 1%.
- XDIM requires 120V or 277V specification.
- Specify only with -DIM driver option.
- Must order IRT9015 Interact commissioning remote with each system order.
- CRM includes side cover with top access plate and additional end cover, 7/8" gap between fixtures.
- Must be installed in conjunction with a UL1008 device.
- Must be ordered with an integral controls option.
- Failure to properly select the "BAC" suffix could result in you receiving product that is not BAA compliant product with no recourse for an RMA or refund. This BAC designation hereunder does not address (i) the applicability of, or availability of a waiver under, the Trade Agreements Act, or (ii) the "Buy America" domestic content requirements imposed on states, localities, and other non-federal entities as a condition of receiving funds administered by the Department of Transportation or other federal agencies.
- Consult Signify to confirm whether specific accessories are BAA-compliant.

Accessories⁹ (order separately)

- FMA22 – 2'x2' "F" mounting frame for NEMA "F" mounting
- EVD2L – EvoGrid 2'x2' rectangular ribbed replacement lens
- EVDS2L – EvoGrid 2'x2' rectangular smooth replacement lens
- EVR2L – EvoGrid 2'x2' round ribbed replacement lens
- EVR2S2L – EvoGrid 2'x2' round smooth replacement lens
- FSK22 – 2'x2' surface mount field installation kit (factory welded seams), order with -TAP (top access plate option (EMLED option not available)
- FSF22 – 2'x2' surface mount field assembly kit, order with -TAP (top access plate option (EMLED option not available)

SWZCS accessories⁹ (order separately)

- IRT9015 – handheld remote for grouping and configuration (at least one remote required for any SWZCS installation).

General Notes

- All options factory installed.
- All accessories are field installed.
- Many luminaire components, such as reflectors, refractors, lenses, sockets, lamp holders, and LEDs are made from various types of plastics which can be adversely affected by airborne contaminants. If sulfur based chemicals, petroleum based products, cleaning solutions, or other contaminants are expected in the intended area of use, consult factory for compatibility.



2EVG EvoGrid recessed 2x2

up to 5400 lumens

Ordering guide – PoE controls (Static & Tunable White)

example: 2EVG45L8TW-2-D-LV-POE-IAO

Width	Family	Ceiling Type	Air Function	Lumens (nominal delivered)	Color	Length	Center Diffuser	Voltage	Driver	Options	
2	EV	G			–	2	–	LV	–	POE	
2 2'	EV EvoGrid	G Grid	Blank Static H Air return	30L 3000 38L 3800 45L 4500	<u>Static White</u> 830 80 CRI, 3000K 835 80 CRI, 3500K 840 80 CRI, 4000K 850 80 CRI, 5000K <u>Color Tuning</u> 8TW 80CRI, 2700K thru 6500K tunable white	2 2'	D Diffuse (opal) DS Diffuse smooth (opal) R Diffuse round ribbed (opal) RS Diffuse round smooth (opal)	LV Low voltage	POE Power over ethernet	AG Antimicrobial finish EMPOE¹ 600lm integral emergency driver and battery pack IAO Integral Interact Office daylighting and occupancy sensor, enables wireless connected lighting control IAOSB Interact Office advanced wired sensor bundle, integral SC2000 w/ IoT capabilities for enterprise scale projects	

1 Indicator light and test switch located on housing side panel..

Ordering guide – DALI Controls (Tunable White)

example: 2EVG39L8TW-2-D-UNV-DTW-IAO

Width	Family	Ceiling Type	Air Function	Lumens (nominal delivered)	Color	Length	Center Diffuser	Voltage	Driver	Options	
2	EV	G			–	2	–	UNV	–	DTW	
2 2'	EV EvoGrid	G Grid	Blank Static H Air return	32L 3200 39L 3900 43L 4300	8TW 80CRI, 2700K thru 6500K tunable white	2 2'	D Diffuse (opal) DS Diffuse smooth (opal) R Diffuse round ribbed (opal) RS Diffuse round smooth (opal)	UNV Universal Voltage, 120-277 volt	DTW Dual channel tunable white	AG Antimicrobial finish F1/D 3/8" twin flex, 3 wire 18 gauge 6' for dimmable luminaires F2/7W 3/8" single flex, 7 wire 18 gauge 6' for emergency Factory wired Bodine BSL310 integral emergency pack. Nominal 1100lm IAO Integral Interact Office daylighting and occupancy sensor, enables wireless connected lighting control IAOSB Interact Office advanced wired sensor bundle, integral SC2000 w/ IoT capabilities for enterprise scale projects GLR Fusing, fast blow DSC Quick driver disconnect	

2EVG EvoGrid recessed 2x2

up to 5400 lumens

Application

- A highly efficient, visually comfortable, architecturally styled recessed LED luminaire designed with a minimalistic strategy to achieve sustainable objectives.
- Low profile configuration is only 2-3/4" deep, requiring minimal plenum space
- Soft opal diffuser with large luminous area minimizes apparent brightness and provides high visual comfort perfect for a wide variety of general lighting applications like offices, schools, retail, or healthcare.
- Multiple lumen packages over a wide range to provide significant application flexibility over light levels and/or luminaire spacing.
- Directs a controlled amount of light to the higher angles in the room to balance the brightness of the surfaces and eliminate "cave effect" while creating the impression of a larger, brighter space without glare.
- Excellent color rendering with a CRI of 80.
- LEDs are an excellent source for use with controls since dimming or frequent switching does not degrade the performance or life of the source. Integral or external sensors are available for use.
- Designed for use with standard Grid (NEMA "G") or Narrow Grid (NEMA "NFG") ceiling T-bars. Drywall or plaster requirements can be accommodated by using an FMA22 "F" mounting frame (sold separately.)
- Continuous row mount option (CRM) includes wireway covers on each end and on one side of housing.

Construction/Finish

- Uncomplicated design is 2-3/4" in depth and only requires a few parts outside of the electrical system and hardware, creating several benefits:
 - Less material required
 - Less packaging required
 - Reduced weight
 - Less energy required for construction and assembly
 - More luminaires can be shipped per truck to reduce fuel use and emissions
- Luminaire finish is matte white polyester for a high quality, durable finish.
- T-bar grid clips are integral to body.
- Access plate located on end provides easy field wiring. TAP option provides top mounted access plate.

Electrical

- Integral sensor options for occupancy sensing and/or daylight harvesting are available for additional energy savings with no reduction of life or increase in installation labor.
- Total luminaire efficacy as high as 119 LPW (lumens per Watt).
- LED board is easily accessible from below without tools. Single LED board is replaceable if needed via plug-in connectors to ensure long service life.
- LED driver is accessible from above.
- Emergency driver is accessible from above. To estimate lumen output in emergency mode, multiply emergency pack wattage by efficacy, then by 1.10. Typical lumen output is 1300lm for EMLED.
- The GTD/E option is used to bypass wall switches and allow luminaire operation on auxiliary power. Generator transfer requires installation in conjunction with a UL1008 listed device.

- The GTD/SNSR option is used to bypass integrated sensor control in the event of utility power loss. Generator transfer requires installation in conjunction with a UL1008 listed device.
- Step dimming default is 100/40%. Contact factory for additional low trim options.
- 5 year manufacturer's limited warranty. Visit signify.com/warranties for complete warranty information.
- TM-21 predicted L70 lumen maintenance up to 80,000 hours.
- cETLus listed to UL and CSA standards, suitable for damp locations.

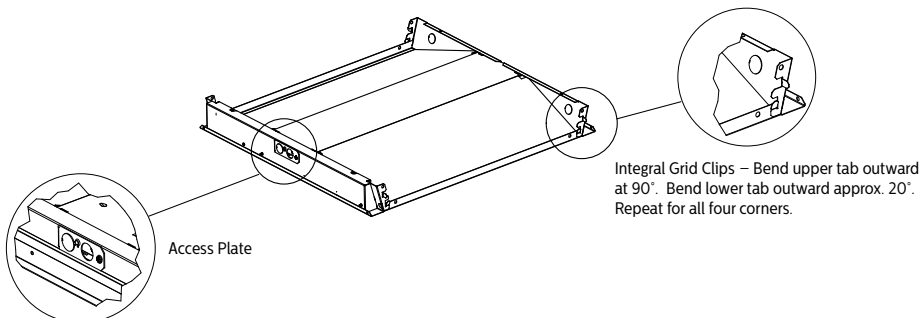
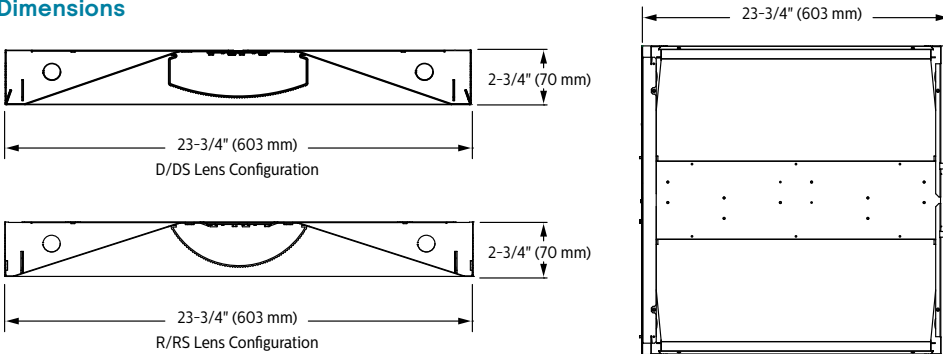
Enclosure

- Opal diffuser provides soft, comfortable lighting while maintaining high efficiency.
- Diffuser requires no frames or fasteners and can be easily removed from below without tools if needed.

Energy data

Luminaire	Catalog Number	Input Power	Efficacy
2x2	2EVG30L840-2-D	25	119
	2EVG38L840-2-D	33	115
	2EVG45L840-2-D	39	114
	2EVG30L840-2-R	24	126
	2EVG38L840-2-R	31	126
	2EVG45L840-2-R	37	124

Dimensions



2EVG EvoGrid recessed 2x2

up to 5400 lumens

Wireless Controls Options

SpaceWise DT (SWZDT)

- Standalone daylight and occupancy sensing with advanced grouping, wireless mesh networking and dwell time.
- Commissioning via compatible Android phone and Philips Field App
- Dimming via compatible Zigbee wireless wall switch only (see link below for details)
- Register for the commissioning app at <http://registration.componentcloud.philips.com/appregistration/>
- Integral sensing options may not be combined
- For more information including recommended switches, refer to the following: –
SWZDT – www.usa.lighting.philips.com/systems/lighting-systems/spacewise

Emergency Options (ER100)

- Power Sensing (Factory default) – Recommended UL924 option requires unswitched power sense line, absence of voltage on the normal circuit triggers luminaire to 100% output
- Power Interruption Detection (Field option) – Detects AC power interruption >30ms triggers 90 minute emergency mode with luminaire at 100% output

Interact Pro scalable sensor for Foundation, Advanced & Enterprise tiers (SWZCS and an evolution of SpaceWise)

- SWZCS is a connected sensor with integral occupancy and daylight sensing and supports wireless mesh connectivity.
- The sensor works in the Foundation mode (similar to SpaceWise) when configured without a gateway or in an Interact Pro Advanced or Enterprise mode if a compatible gateway is used.
- Interact Pro includes an App, a portal and a broad portfolio of wireless luminaires, lamps and retrofit kits all working on the same system.
- Startup is implemented via Interact Pro App (Android or iPhone) & BlueTooth connectivity. The App provides flexibility to choose between a gateway or non gateway mode for setup.
- Setup with the gateway requires wired internet access to the gateway. It is possible to add a gateway at a later point.
- Prepare project configuration steps remotely and use IRT9015 remote onsite to identify and group devices together.
 - Compatible with:
 - SWS200 wireless scene switch
 - Battery powered IP42 presence sensor OCC sensor IA CM WH 10/1
 - Battery powered IP42 presence & daylight sensor OCC-DL sensor IA CM IP42 WH
 - LCN3110: Battery powered IP65 presence sensor, OCC sensor IA CM IP65WH
 - LCN3120: Battery powered IP65 presence & daylight sensor, OCC-DL sensor IA CM IP65 WH
- For more information on Interact Pro visit: www.interact-lighting.com/interactproscalablesystem

Radio only sensor (RADIO)

- Integral RADIO only sensor simply enables wireless mesh connectivity to the luminaire without any occupancy or daylight sensing.
- Ideal for applications where sensing functionality is managed by other Interact devices and the luminaire only needs to have wireless connectivity.

Interact Pro scalable sensor bundles for Enterprise tier

- IAOSB option in addition to occupancy and daylight sensing supports advanced IoT capabilities such as people estimation analysis, desk level temperature & humidity sensing, noise classification, and BLE beacon.
- Compatible with SWS200 wireless scene switch and Interact Ready wireless battery powered sensors.
- Use Interact software and insights to increase building efficiency, achieve building wide integration and optimize space through occupancy analytics.
- Requires compatible Gateway and internet connectivity for commissioning.
- For more information, visit: www.interact-lighting.com/office or www.usa.lighting.philips.com/systems/system-areas/offices

Wired Controls Options

Interact Office Wired (PoE), Static White & Tunable White

- PoE based IoT connected lighting solution for large enterprises that span across multiple floors, buildings and require multiple gateways.
- Use Interact Office software and insights to increase building efficiency, achieve building wide integration and optimize space through occupancy analytics.
- Human centric lighting through tunable white technology – Dynamic behaviors via scheduled lighting recipes mimicking daylight patterns or supporting biorhythms.
- IAOSB option in addition to occupancy and daylight sensing supports advanced IoT capabilities such as people estimation analysis, desk level temperature & humidity sensing, noise classification, and BLE beacon.
- PoE lighting controller is accessible from below.

- Integral sensor option for occupancy sensing (PIR) and/or daylight harvesting available for additional energy savings.
- Optional integral emergency controller and battery pack provides 600lm nominal output. Test switch and indicator light mounted on side of chassis on one end.
- Emergency battery has a 3 month pre-installed shelf life, and must be stored and installed in environments of 20C to 30C (-4F to 86F) ambient, and 45-85% relative humidity.
- For more information on Interact Office Wired, visit: www.interact-lighting.com/office or www.usa.lighting.philips.com/systems/system-areas/offices

Tunable White with DALI

- Signify tunable white solutions are designed to help maximize the influence of lighting on your daily life.
- Dynamic behaviors via scheduled lighting recipes mimicking daylight patterns or supporting biorhythms.
- Scene setting via lighting pre-sets based on various combinations of lighting color temperature and intensity.

www.usa.lighting.philips.com/products/product-highlights/tunable-white-technology

2EVG EvoGrid recessed 2x2

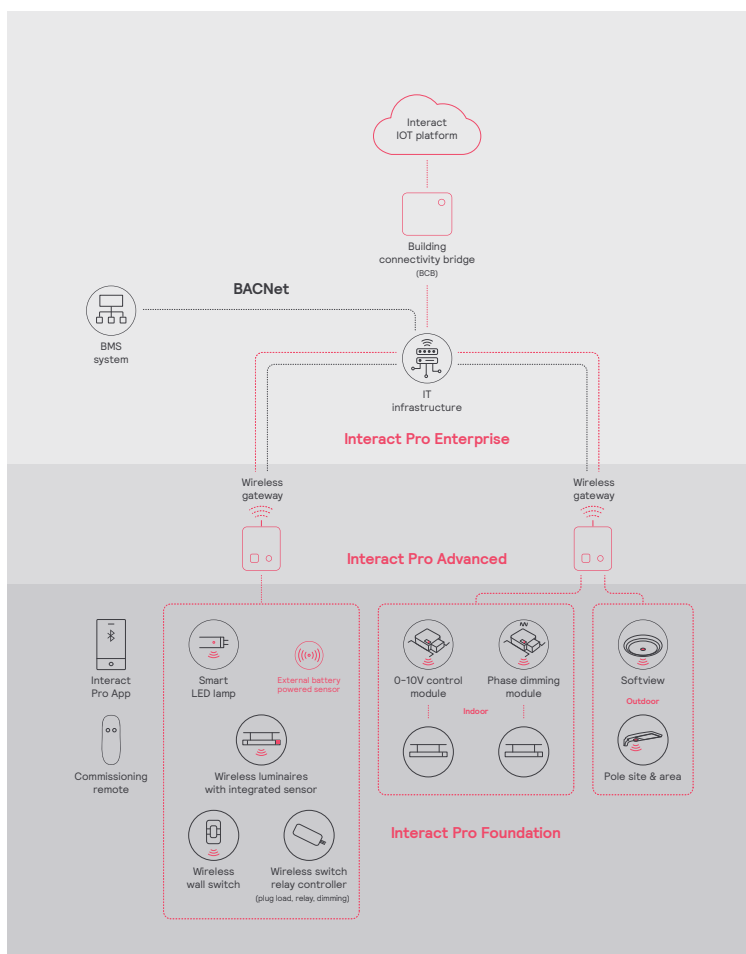
up to 5400 lumens

Interact Pro scalable system			
	Foundation	Advanced	Enterprise
Dimming, grouping, and zoning	✓	✓	✓
Bluetooth and ZigBee enabled	✓	✓	✓
Motion sensing and daylight harvesting	✓	✓	✓
Integration with 0-10V and phase dimming fixtures	✓	✓	✓
Code compliance	✓	✓	✓
Granular dimming and dwell time	✓	✓	✓
Energy reporting and monitoring		✓	✓
Scheduling		✓	✓
Demand response		✓	✓
BMS integration (BACnet)			✓
Floor plan visualization			✓
IoT sensors for wellness			✓
IoT Apps for productivity			✓

Currently supported maximum system size

To be able to design the lighting system correctly for the customer, it is important to know the prime characteristics of the system, its possibilities and limitations.

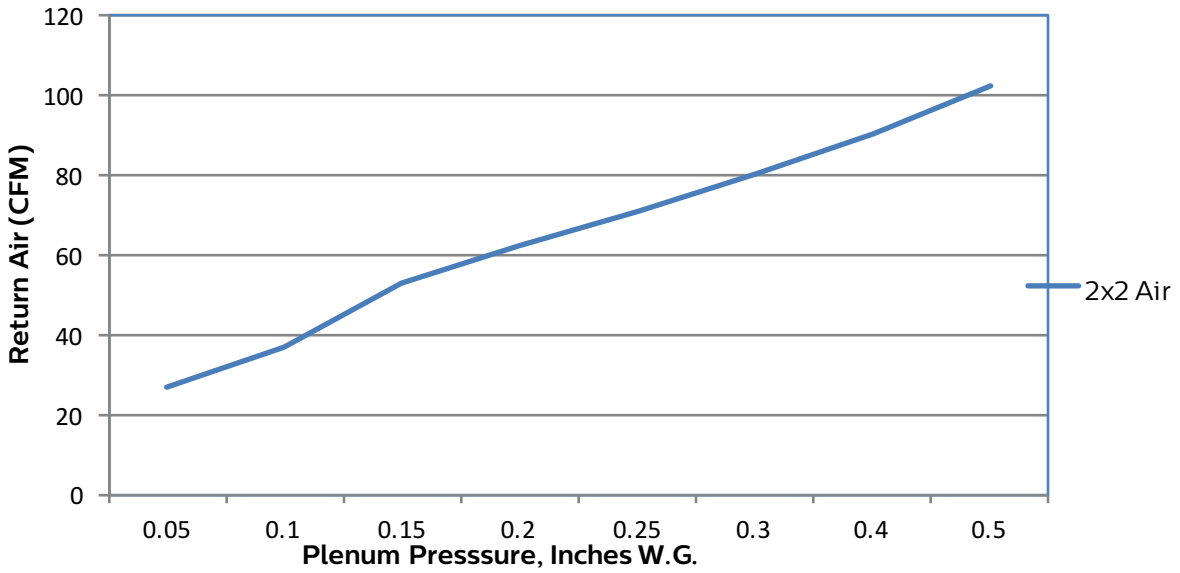
System level	
Total number of gateways	Unlimited
Total number of devices	200 per network
• luminaires with integrated sensors	150
• smart TLEDs	150
Total number of ZGP devices (sensors and switches)	50
• sensors	30
• switches	50
• zones and groups	64
Group level	
Recommended number of lights	40 (recommended 25)
Number of ZGP devices	5
Number of scenes	16



2EVG EvoGrid recessed 2x2

up to 5400 lumens

Air return data



Pressure	0.05	0.1	0.15	0.2	0.25	0.3	0.4	0.5
CFM	27	37	53	62	71	80	90	102
Noise	<15	24	25	29	33	35	38	40



2EVG EvoGrid recessed 2x2

up to 5400 lumens

Photometry

2x2 EvoGrid LED recessed, diffuse, 3800 nominal delivered lumens

LER - 116

Catalog No. 2EVG38L840-2-D-UNV-DIM Test No. 34893 S/MH 1.2 Lamp Type LED Lumens 3852 Input Watts 33 Comparative yearly lighting energy cost per 1000 lumens – \$2.07 based on 3000 hrs. and \$.08 pwr KWH. The photometric results were obtained in the Day-Brite laboratory which is NVLAP accredited by the National Institute of Standards and Technology. Photometric values based on test performed in compliance with LM-79.	Candlepower	Light Distribution	Average Luminance																																																																																																																															
	<table border="1"> <thead> <tr> <th>Angle</th> <th>End</th> <th>45</th> <th>Cross</th> <th>Back-45</th> </tr> </thead> <tbody> <tr><td>0</td><td>1399</td><td>1399</td><td>1399</td><td>1399</td></tr> <tr><td>5</td><td>1384</td><td>1394</td><td>1401</td><td>1394</td></tr> <tr><td>15</td><td>1322</td><td>1340</td><td>1351</td><td>1340</td></tr> <tr><td>25</td><td>1189</td><td>1214</td><td>1235</td><td>1214</td></tr> <tr><td>35</td><td>1007</td><td>1045</td><td>1079</td><td>1045</td></tr> <tr><td>45</td><td>801</td><td>852</td><td>902</td><td>852</td></tr> <tr><td>55</td><td>590</td><td>659</td><td>733</td><td>659</td></tr> <tr><td>65</td><td>390</td><td>479</td><td>569</td><td>479</td></tr> <tr><td>75</td><td>209</td><td>304</td><td>378</td><td>304</td></tr> <tr><td>85</td><td>56</td><td>87</td><td>105</td><td>87</td></tr> </tbody> </table>	Angle	End	45	Cross	Back-45	0	1399	1399	1399	1399	5	1384	1394	1401	1394	15	1322	1340	1351	1340	25	1189	1214	1235	1214	35	1007	1045	1079	1045	45	801	852	902	852	55	590	659	733	659	65	390	479	569	479	75	209	304	378	304	85	56	87	105	87	<table border="1"> <thead> <tr> <th>Degrees</th> <th>Lumens</th> <th>% Luminaire</th> </tr> </thead> <tbody> <tr><td>0-30</td><td>1068</td><td>27.7</td></tr> <tr><td>0-40</td><td>1720</td><td>44.7</td></tr> <tr><td>0-60</td><td>2969</td><td>77.1</td></tr> <tr><td>0-90</td><td>3851</td><td>100.0</td></tr> <tr><td>0-180</td><td>3851</td><td>100.0</td></tr> </tbody> </table>	Degrees	Lumens	% Luminaire	0-30	1068	27.7	0-40	1720	44.7	0-60	2969	77.1	0-90	3851	100.0	0-180	3851	100.0	<table border="1"> <thead> <tr> <th>Zone</th> <th>End</th> <th>45°</th> <th>Cross</th> </tr> </thead> <tbody> <tr><td>45</td><td>11739</td><td>12497</td><td>13224</td></tr> <tr><td>55</td><td>10665</td><td>11910</td><td>13241</td></tr> <tr><td>65</td><td>9568</td><td>11758</td><td>13957</td></tr> <tr><td>75</td><td>8372</td><td>12186</td><td>15122</td></tr> <tr><td>85</td><td>6709</td><td>10326</td><td>12431</td></tr> </tbody> </table>	Zone	End	45°	Cross	45	11739	12497	13224	55	10665	11910	13241	65	9568	11758	13957	75	8372	12186	15122	85	6709	10326	12431																														
Angle	End	45	Cross	Back-45																																																																																																																														
0	1399	1399	1399	1399																																																																																																																														
5	1384	1394	1401	1394																																																																																																																														
15	1322	1340	1351	1340																																																																																																																														
25	1189	1214	1235	1214																																																																																																																														
35	1007	1045	1079	1045																																																																																																																														
45	801	852	902	852																																																																																																																														
55	590	659	733	659																																																																																																																														
65	390	479	569	479																																																																																																																														
75	209	304	378	304																																																																																																																														
85	56	87	105	87																																																																																																																														
Degrees	Lumens	% Luminaire																																																																																																																																
0-30	1068	27.7																																																																																																																																
0-40	1720	44.7																																																																																																																																
0-60	2969	77.1																																																																																																																																
0-90	3851	100.0																																																																																																																																
0-180	3851	100.0																																																																																																																																
Zone	End	45°	Cross																																																																																																																															
45	11739	12497	13224																																																																																																																															
55	10665	11910	13241																																																																																																																															
65	9568	11758	13957																																																																																																																															
75	8372	12186	15122																																																																																																																															
85	6709	10326	12431																																																																																																																															
Coefficients of Utilization EFFECTIVE FLOOR CAVITY REFLECTANCE 20 PER (pfc=0.20)																																																																																																																																		
<table border="1"> <thead> <tr> <th>pcc</th> <th colspan="3">80</th> <th colspan="3">70</th> <th colspan="3">50</th> </tr> <tr> <th>pw</th> <th>70</th> <th>50</th> <th>30</th> <th>70</th> <th>50</th> <th>30</th> <th>50</th> <th>30</th> </tr> </thead> <tbody> <tr><td>RCR</td><td></td><td></td><td></td><td></td><td></td><td></td><td></td><td></td></tr> <tr><td>0</td><td>118</td><td>118</td><td>118</td><td>115</td><td>115</td><td>115</td><td>111</td><td>111</td></tr> <tr><td>1</td><td>108</td><td>103</td><td>98</td><td>106</td><td>101</td><td>96</td><td>96</td><td>93</td></tr> <tr><td>2</td><td>97</td><td>90</td><td>82</td><td>95</td><td>88</td><td>81</td><td>83</td><td>79</td></tr> <tr><td>3</td><td>90</td><td>79</td><td>69</td><td>86</td><td>77</td><td>68</td><td>73</td><td>68</td></tr> <tr><td>4</td><td>81</td><td>69</td><td>60</td><td>80</td><td>68</td><td>59</td><td>66</td><td>58</td></tr> <tr><td>5</td><td>75</td><td>61</td><td>53</td><td>72</td><td>60</td><td>53</td><td>58</td><td>52</td></tr> <tr><td>6</td><td>69</td><td>56</td><td>46</td><td>68</td><td>55</td><td>46</td><td>53</td><td>46</td></tr> <tr><td>7</td><td>65</td><td>51</td><td>41</td><td>63</td><td>50</td><td>41</td><td>48</td><td>40</td></tr> <tr><td>8</td><td>59</td><td>46</td><td>38</td><td>58</td><td>46</td><td>38</td><td>45</td><td>36</td></tr> <tr><td>9</td><td>56</td><td>42</td><td>34</td><td>55</td><td>41</td><td>34</td><td>40</td><td>34</td></tr> <tr><td>10</td><td>53</td><td>40</td><td>32</td><td>52</td><td>39</td><td>30</td><td>38</td><td>30</td></tr> </tbody> </table>				pcc	80			70			50			pw	70	50	30	70	50	30	50	30	RCR									0	118	118	118	115	115	115	111	111	1	108	103	98	106	101	96	96	93	2	97	90	82	95	88	81	83	79	3	90	79	69	86	77	68	73	68	4	81	69	60	80	68	59	66	58	5	75	61	53	72	60	53	58	52	6	69	56	46	68	55	46	53	46	7	65	51	41	63	50	41	48	40	8	59	46	38	58	46	38	45	36	9	56	42	34	55	41	34	40	34	10	53	40	32	52	39	30	38	30
pcc	80			70			50																																																																																																																											
pw	70	50	30	70	50	30	50	30																																																																																																																										
RCR																																																																																																																																		
0	118	118	118	115	115	115	111	111																																																																																																																										
1	108	103	98	106	101	96	96	93																																																																																																																										
2	97	90	82	95	88	81	83	79																																																																																																																										
3	90	79	69	86	77	68	73	68																																																																																																																										
4	81	69	60	80	68	59	66	58																																																																																																																										
5	75	61	53	72	60	53	58	52																																																																																																																										
6	69	56	46	68	55	46	53	46																																																																																																																										
7	65	51	41	63	50	41	48	40																																																																																																																										
8	59	46	38	58	46	38	45	36																																																																																																																										
9	56	42	34	55	41	34	40	34																																																																																																																										
10	53	40	32	52	39	30	38	30																																																																																																																										

2x2 EvoGrid LED recessed, diffuse round ribbed, 3800 nominal delivered lumens

LER - 126

Catalog No. 2EVG38L840-2-R-UNV-DIM Test No. 38750 S/MH 1.3 Lamp Type LED Lumens 3990 Input Watts 32 Comparative yearly lighting energy cost per 1000 lumens – \$1.90 based on 3000 hrs. and \$.08 pwr KWH. The photometric results were obtained in the Day-Brite laboratory which is NVLAP accredited by the National Institute of Standards and Technology. Photometric values based on test performed in compliance with LM-79.	Candlepower	Light Distribution	Average Luminance																																																																																																																															
	<table border="1"> <thead> <tr> <th>Angle</th> <th>End</th> <th>45</th> <th>Cross</th> <th>Back-45</th> </tr> </thead> <tbody> <tr><td>0</td><td>1353</td><td>1353</td><td>1353</td><td>1353</td></tr> <tr><td>5</td><td>1337</td><td>1349</td><td>1353</td><td>1349</td></tr> <tr><td>15</td><td>1277</td><td>1298</td><td>1311</td><td>1298</td></tr> <tr><td>25</td><td>1163</td><td>1198</td><td>1226</td><td>1198</td></tr> <tr><td>35</td><td>1006</td><td>1062</td><td>1108</td><td>1062</td></tr> <tr><td>45</td><td>818</td><td>898</td><td>966</td><td>898</td></tr> <tr><td>55</td><td>616</td><td>722</td><td>811</td><td>722</td></tr> <tr><td>65</td><td>384</td><td>530</td><td>635</td><td>530</td></tr> <tr><td>75</td><td>197</td><td>330</td><td>400</td><td>330</td></tr> <tr><td>85</td><td>51</td><td>102</td><td>105</td><td>102</td></tr> </tbody> </table>	Angle	End	45	Cross	Back-45	0	1353	1353	1353	1353	5	1337	1349	1353	1349	15	1277	1298	1311	1298	25	1163	1198	1226	1198	35	1006	1062	1108	1062	45	818	898	966	898	55	616	722	811	722	65	384	530	635	530	75	197	330	400	330	85	51	102	105	102	<table border="1"> <thead> <tr> <th>Degrees</th> <th>Lumens</th> <th>% Luminaire</th> </tr> </thead> <tbody> <tr><td>0-30</td><td>1045</td><td>26.2</td></tr> <tr><td>0-40</td><td>1707</td><td>42.8</td></tr> <tr><td>0-60</td><td>3039</td><td>76.1</td></tr> <tr><td>0-90</td><td>3992</td><td>100.0</td></tr> <tr><td>0-180</td><td>3993</td><td>100.0</td></tr> </tbody> </table>	Degrees	Lumens	% Luminaire	0-30	1045	26.2	0-40	1707	42.8	0-60	3039	76.1	0-90	3992	100.0	0-180	3993	100.0	<table border="1"> <thead> <tr> <th>Zone</th> <th>End</th> <th>45°</th> <th>Cross</th> </tr> </thead> <tbody> <tr><td>45</td><td>12067</td><td>13244</td><td>14246</td></tr> <tr><td>55</td><td>11192</td><td>13120</td><td>14736</td></tr> <tr><td>65</td><td>9466</td><td>13075</td><td>15666</td></tr> <tr><td>75</td><td>7952</td><td>13277</td><td>16125</td></tr> <tr><td>85</td><td>6053</td><td>12154</td><td>12609</td></tr> </tbody> </table>	Zone	End	45°	Cross	45	12067	13244	14246	55	11192	13120	14736	65	9466	13075	15666	75	7952	13277	16125	85	6053	12154	12609																														
Angle	End	45	Cross	Back-45																																																																																																																														
0	1353	1353	1353	1353																																																																																																																														
5	1337	1349	1353	1349																																																																																																																														
15	1277	1298	1311	1298																																																																																																																														
25	1163	1198	1226	1198																																																																																																																														
35	1006	1062	1108	1062																																																																																																																														
45	818	898	966	898																																																																																																																														
55	616	722	811	722																																																																																																																														
65	384	530	635	530																																																																																																																														
75	197	330	400	330																																																																																																																														
85	51	102	105	102																																																																																																																														
Degrees	Lumens	% Luminaire																																																																																																																																
0-30	1045	26.2																																																																																																																																
0-40	1707	42.8																																																																																																																																
0-60	3039	76.1																																																																																																																																
0-90	3992	100.0																																																																																																																																
0-180	3993	100.0																																																																																																																																
Zone	End	45°	Cross																																																																																																																															
45	12067	13244	14246																																																																																																																															
55	11192	13120	14736																																																																																																																															
65	9466	13075	15666																																																																																																																															
75	7952	13277	16125																																																																																																																															
85	6053	12154	12609																																																																																																																															
Coefficients of Utilization EFFECTIVE FLOOR CAVITY REFLECTANCE 20 PER (pfc=0.20)																																																																																																																																		
<table border="1"> <thead> <tr> <th>pcc</th> <th colspan="3">80</th> <th colspan="3">70</th> <th colspan="3">50</th> </tr> <tr> <th>pw</th> <th>70</th> <th>50</th> <th>30</th> <th>70</th> <th>50</th> <th>30</th> <th>50</th> <th>30</th> </tr> </thead> <tbody> <tr><td>RCR</td><td></td><td></td><td></td><td></td><td></td><td></td><td></td><td></td></tr> <tr><td>0</td><td>118</td><td>118</td><td>118</td><td>115</td><td>115</td><td>115</td><td>111</td><td>111</td></tr> <tr><td>1</td><td>108</td><td>103</td><td>97</td><td>105</td><td>101</td><td>96</td><td>95</td><td>93</td></tr> <tr><td>2</td><td>97</td><td>89</td><td>81</td><td>94</td><td>86</td><td>81</td><td>83</td><td>78</td></tr> <tr><td>3</td><td>89</td><td>78</td><td>69</td><td>85</td><td>76</td><td>68</td><td>72</td><td>67</td></tr> <tr><td>4</td><td>81</td><td>68</td><td>59</td><td>79</td><td>68</td><td>58</td><td>65</td><td>57</td></tr> <tr><td>5</td><td>75</td><td>61</td><td>52</td><td>72</td><td>59</td><td>52</td><td>57</td><td>51</td></tr> <tr><td>6</td><td>68</td><td>55</td><td>46</td><td>67</td><td>54</td><td>46</td><td>53</td><td>45</td></tr> <tr><td>7</td><td>64</td><td>50</td><td>40</td><td>61</td><td>48</td><td>40</td><td>47</td><td>40</td></tr> <tr><td>8</td><td>59</td><td>46</td><td>36</td><td>57</td><td>45</td><td>36</td><td>44</td><td>35</td></tr> <tr><td>9</td><td>56</td><td>41</td><td>34</td><td>54</td><td>40</td><td>33</td><td>40</td><td>33</td></tr> <tr><td>10</td><td>52</td><td>39</td><td>30</td><td>51</td><td>38</td><td>29</td><td>36</td><td>29</td></tr> </tbody> </table>				pcc	80			70			50			pw	70	50	30	70	50	30	50	30	RCR									0	118	118	118	115	115	115	111	111	1	108	103	97	105	101	96	95	93	2	97	89	81	94	86	81	83	78	3	89	78	69	85	76	68	72	67	4	81	68	59	79	68	58	65	57	5	75	61	52	72	59	52	57	51	6	68	55	46	67	54	46	53	45	7	64	50	40	61	48	40	47	40	8	59	46	36	57	45	36	44	35	9	56	41	34	54	40	33	40	33	10	52	39	30	51	38	29	36	29
pcc	80			70			50																																																																																																																											
pw	70	50	30	70	50	30	50	30																																																																																																																										
RCR																																																																																																																																		
0	118	118	118	115	115	115	111	111																																																																																																																										
1	108	103	97	105	101	96	95	93																																																																																																																										
2	97	89	81	94	86	81	83	78																																																																																																																										
3	89	78	69	85	76	68	72	67																																																																																																																										
4	81	68	59	79	68	58	65	57																																																																																																																										
5	75	61	52	72	59	52	57	51																																																																																																																										
6	68	55	46	67	54	46	53	45																																																																																																																										
7	64	50	40	61	48	40	47	40																																																																																																																										
8	59	46	36	57	45	36	44	35																																																																																																																										
9	56	41	34	54	40	33	40	33																																																																																																																										
10	52	39	30	51	38	29	36	29																																																																																																																										

2EVG EvoGrid recessed 2x2

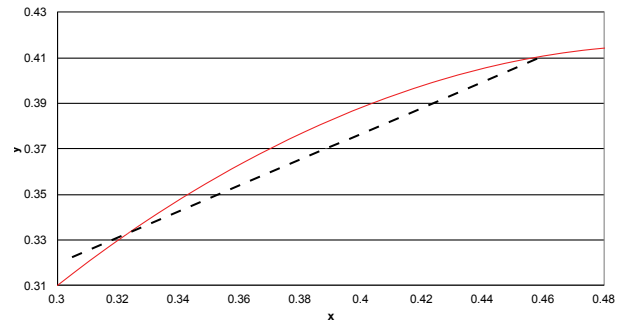
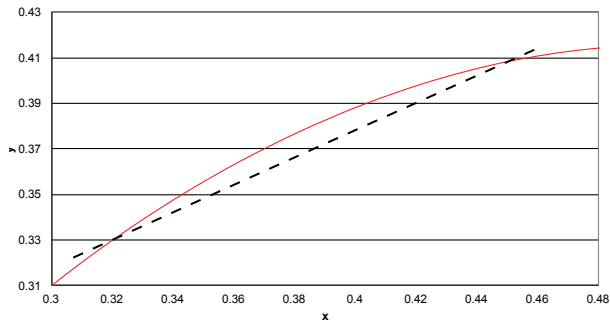
up to 5400 lumens

Tunable White with PoE

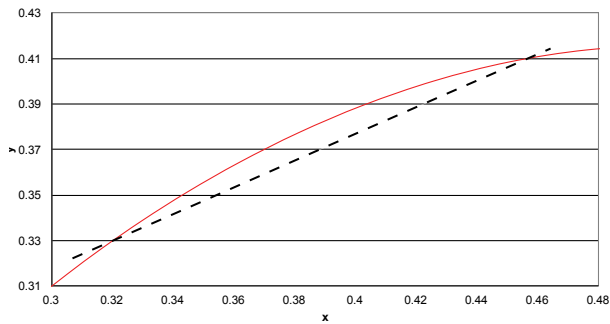
Color Information

2x2 EvoGrid 3000lm	2700K	3000K	3500K	4000K	5000K	6500K
Flux	3028	3028	3028	3029	3029	3029
Power	24	24	23	23	23	22
Efficacy	128	129	130	132	134	137
CCT	82	84	86	87	87	85
CRI	15	23	32	37	35	22
R9	18	23	31	34	31	11

2x2 EvoGrid 3800lm	2700K	3000K	3500K	4000K	5000K	6500K
Flux	3808	3808	3808	3809	3809	3809
Power	30	29	29	29	23	22
Efficacy	128	129	130	132	134	137
CCT	82	84	86	87	87	85
CRI	14	23	32	36	35	23
R9	18	23	31	34	31	11



2x2 EvoGrid 4500lm	2700K	3000K	3500K	4000K	5000K	6500K
Flux	4502	4501	4498	4496	4493	4490
Power	39	36	35	34	33	34
Efficacy	117	125	129	132	136	134
CCT	82	84	86	87	87	85
CRI	14	22	31	36	35	23
R9	18	23	31	34	31	11



2EVG EvoGrid recessed 2x2

up to 5400 lumens

Tunable White with DALI

Electrical Specifications

Input Voltage	120V			277V		
Nominal CCT	2700K			2700K		
Nominal Lumens	3200lm	3900lm	4300lm	3200lm	3900lm	4300lm
Commissioned State						
Power (W)	36.5	44.3	50.0	36.3	44.0	49.5
Current (A)	0.31	0.38	0.42	0.16	0.18	0.2
Power Factor	0.98	0.99	0.99	0.85	0.88	0.90
THD (%)	15	14	12	18	17	16
Off State Power (W)	0.6	0.6	0.6	0.9	0.9	0.9
Non-Commissioned State						
Power (W)	67.0	83.0	92.0	66.0	82.0	91.0
Current (A)	0.56	0.70	0.78	0.26	0.32	0.35

Photometry

2x2 EvoGrid recessed LED with tunable white, 3200 nominal delivered lumens, 2700K CCT LER – 92

Catalog No.	2EVG32L8TW-2-D-UNV-DTW	Candlepower				Light Distribution			Average Luminance						
Test No.	36253	Angle	End	45	Cross	Degrees	Lumens	% Luminaire	Zone	End	45°	Cross			
S/MH	1.2	0	1202	1202	1202	0-30	910	27.6	45	10012	10740	11346			
Lamp Type	LED	5	1188	1197	1200	0-40	1466	44.4	55	9100	10281	11412			
Lumens	3298	15	1128	1141	1151	0-60	2533	76.8	65	8163	10310	12007			
Input Watts	36	25	1012	1034	1051	0-90	3298	100.0	75	7102	10651	12854			
CCT	2700K	35	855	890	917	0-180	3298	100.0	85	5694	9175	10778			
Comparative yearly lighting energy cost per 1 000 lumens – \$2.61 based on 3000 hrs. and \$.08 pwr KWH.		45	679	728	770	Coefficients of Utilization									
The photometric results were obtained in the Day-Brite laboratory which is NVLAP accredited by the National Institute of Standards and Technology.		55	501	566	628	EFFECTIVE FLOOR CAVITY REFLECTANCE 20 PER (pfc=0.20)									
Photometric values based on test performed in compliance with LM-79.		65	331	418	487	pcc	80		70			50			
		75	176	264	319	pw	70	50	30	70	50	30	50	30	
		85	48	77	90	RCR									
							0	118	118	118	115	115	115	111	111
							1	108	103	98	105	101	96	96	93
							2	97	90	82	95	88	81	83	79
							3	89	79	69	86	77	68	73	67
							4	81	69	60	80	68	59	66	58
							5	75	61	53	72	60	53	58	51
							6	69	56	46	68	55	46	53	46
							7	65	51	41	63	50	41	48	40
							8	59	46	38	58	46	38	44	36
							9	56	42	34	55	41	34	40	34
							10	53	39	32	51	39	30	38	30

2EVG EvoGrid recessed 2x2

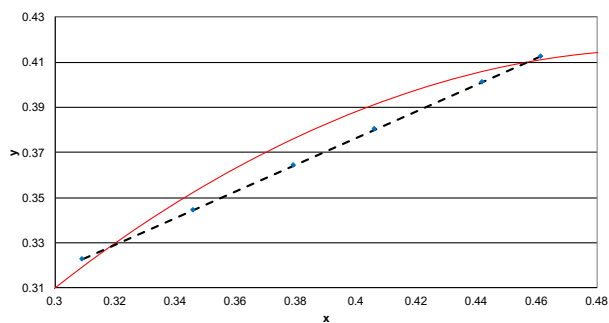
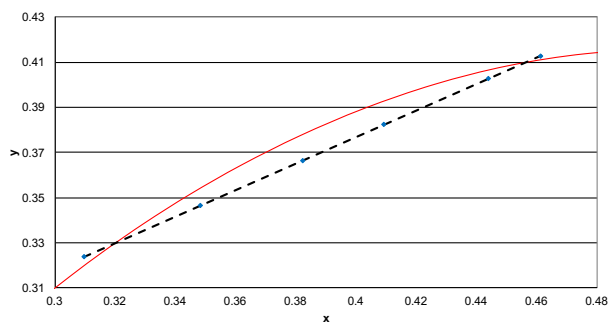
up to 5400 lumens

Tunable White with DALI

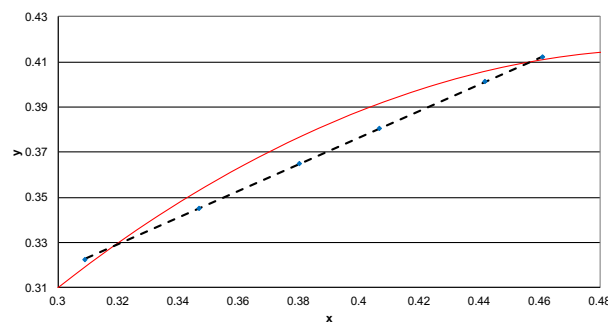
Color information

2x2 EvoGrid 3200lm	2700K	3000K	3500K	4000K	5000K	6500K
Flux	3348	3340	3310	3345	3227	3183
Power	35.9	37.5	35.2	34.3	32.4	29.2
Efficacy	93.4	89.1	93.9	97.6	99.6	109.1
CCT	2697	2876	3344	3868	4865	6726
CRI	82	84	86	87	88	85
R9	15	20	30	37	38	22
x	0.4613	0.4437	0.4092	0.3823	0.3481	0.3095
y	0.4128	0.4026	0.3824	0.3666	0.3464	0.3238
Duv	0.0007	-0.0014	-0.0045	-0.0054	-0.0039	0.0021

2x2 EvoGrid 3900lm	2700K	3000K	3500K	4000K	5000K	6500K
Flux	4009	4043	4078	4178	4094	4088
Power	43.7	45.1	42.6	42.0	40.2	37.7
Efficacy	91.8	89.7	95.7	99.5	102.0	108.4
CCT	2699	2897	3395	3939	4943	6762
CRI	82	84	86	88	88	85
R9	14	20	31	37	38	23
x	0.4611	0.4418	0.4061	0.3792	0.3459	0.3091
y	0.4126	0.4014	0.3803	0.3644	0.3446	0.3228
Duv	0.0006	-0.0017	-0.0048	-0.0055	-0.0039	0.0019



2x2 EvoGrid 4300lm	2700K	3000K	3500K	4000K	5000K	6500K
Flux	4436	4474	4497	4591	4469	4413
Power	49.1	50.2	47.0	46.0	43.7	41.1
Efficacy	90.3	89.2	95.7	99.8	102.4	107.5
CCT	2700	2895	3382	3916	4913	6776
CRI	82	84	86	87	88	85
R9	14	20	31	37	38	23
x	0.4609	0.4419	0.4068	0.3801	0.3467	0.3089
y	0.4124	0.4013	0.3806	0.3648	0.3449	0.3224
Duv	0.0006	-0.0017	-0.0048	-0.0056	-0.0041	0.0018



© 2022 Signify Holding. All rights reserved. The information provided herein is subject to change, without notice. Signify does not give any representation or warranty as to the accuracy or completeness of the information included herein and shall not be liable for any action in reliance thereon. The information presented in this document is not intended as any commercial offer and does not form part of any quotation or contract, unless otherwise agreed by Signify.

Signify North America Corporation
400 Crossing Blvd, Suite 600
Bridgewater, NJ 08807
Telephone 855-486-2216

Signify Canada Ltd.
281 Hillmount Road,
Markham, ON, Canada L6C 2S3
Telephone 800-668-9008

All trademarks are owned by Signify Holding or their respective owners.