

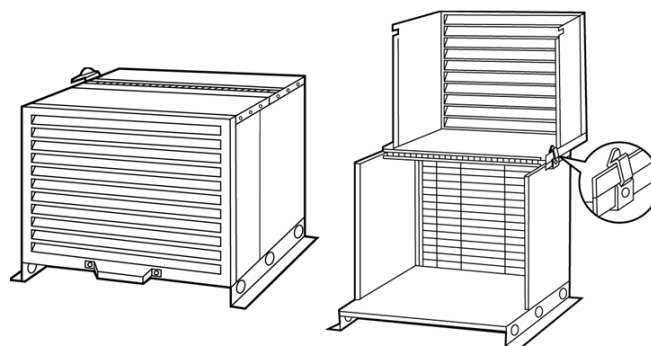
REFRIGERATION ENCLOSURES

CON - PAK REFRIGERATION ENCLOSURES — PSE SERIES

9 Sizes Accommodate Most Condensing Units
1/2 thru 10

Horsepower Units

- Galvanized steel base.
- Galvanized steel cabinet embossed — 20 ga.
- Hinged access for easier servicing.
- Wind safety latch — see insert.
- Shipped knocked down for convenient warehousing.
- Easily assembled in the shop or on the job.
- All necessary fasteners provided.



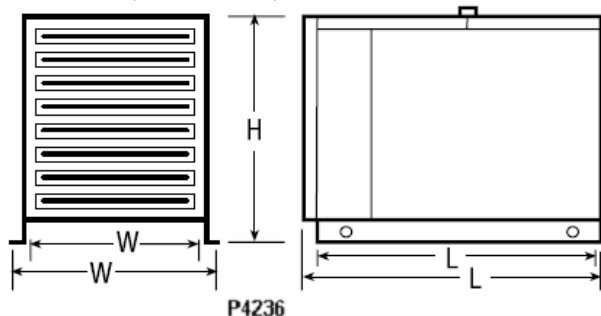
All Season Weather Protection

- Front louvers are at a 45-degree angle.
- Rain trough under hinge to catch moisture that might seep through hinge.
- Condenser screen protected with a high-temperature baked-on clear lacquer coating.

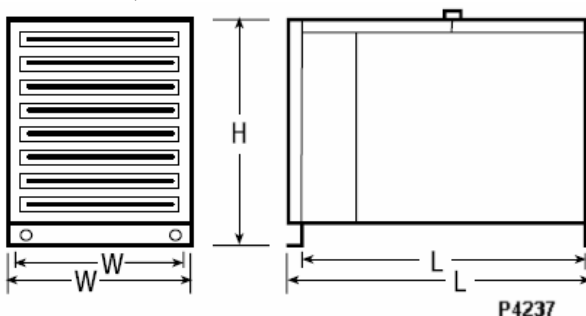
PART NO	DIMENSIONS (in)			ANCHOR BOLT HOLE CENTERS (in)		APPROX SHIP WT (lbs)	HOOD PROJECTION L3
	L	W	H	L2	W2		
PSE-181D	27 (26)	20 (20)	20 (16)	22-1/2	21-1/4	41	—
PSE-191D	29-1/2 (28-1/2)	37 (37)	27-1/2 (22-1/2)	29-1/4	33	83	—
PSE-201D	27 (26)	24-1/2 (24-1/2)	22 (18)	22-1/2	25-3/4	49	—
PSE-231D	35-1/2 (34-1/2)	24 (24)	25 (21)	31	25-1/4	69	—
PSE-241D	29-1/2 (28-1/2)	37 (37)	27-1/2 (22-1/2)	29-1/4	33	83	—
PSE-311D	33-1/2 (32-1/2)	48-1/2 (48-1/2)	35-1/2 (30-1/2)	33-1/4	44-1/2	121	15-1/2
PSE-331D	46-1/2 (45-1/2)	38 (38)	38 (33)	46-1/4	34	141	16-1/2
PSE-401D	33-1/2 (32-1/2)	48-1/2 (48-1/2)	45 (40)	33-1/4	44-1/2	135	20-1/2
PSE-411D	42-1/2 (41-1/2)	74 (74)	45-1/2 (40-1/2)	42-1/4	70	270	21-1/2

NOTE: Numbers in parenthesis () indicate interior dimensions in clear.

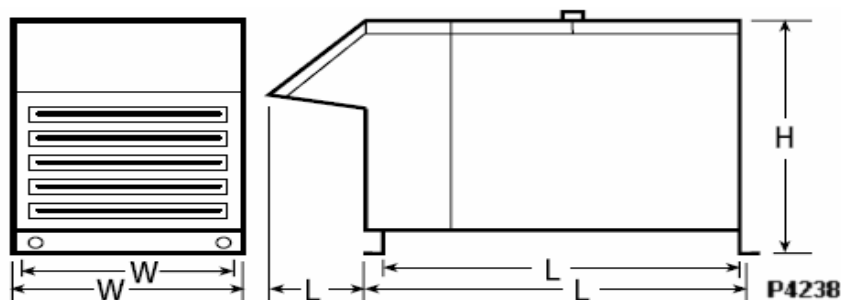
PSE-181D, PSE-201D, PSE-231D



PSE-191D, PSE-241D



PSE-311D, PSE-331D, PSE401D, PSE-411D



REFRIGERATION ENCLOSURES

REFRIGERATION ENCLOSURES

CONPAK REFRIGERATION ENCLOSURES — PSE SERIES

Selections for Copeland Air-Cooled Condensing Units

PSE-181D

DBAH-0050	EJAL-A050	F3AM-A078	FJAF-A074	M2FH-0020
DBAL-0050	EJAL-A075	F3AM-A101	FJAF-A075	M2FH-0024
DBAM-0050	EJAL-A100	F3AM-A102	FJAF-A078	M2FH-0026
E3AH-A050	EJAL-A101	F3EH-0035	FJAF-A100	M2FH-0033
E3AH-A075	EJCL-A050	F3EH-0050	FJAF-A101	M2FH-0049
E3AH-A100	EJCL-A075	F3EH-A049	FJAL-A101	M2FH-0050
E3AH-B075	EJCL-A100	F3EH-A304	FJCF-A050	M2FH-0056
E3AL-0052	EJWL-0075	F3EM-0051	FJCF-A075	M2FL-0023
E3AL-0077	ELAL-A033	F3EM-A049	FJCF-A100	M2FL-0025
E3AL-0101	ELAL-A050	F3WM-0078	FJEF-0050	M2FL-0033
E3AL-A101	ELAL-A051	F3WM-0101	FJEF-0075	M2YH-0033
E3AM-A050	ELAL-A075	FAAH-A033	FTAF-A034	F4FH-0022
E3AM-A075	ELAL-A100	FAAH-A050	FTAF-A058	M4FH-0025
E3AM-A100	ELCL-A051	FAAL-A034	FTAH-A025	M4FH-0036
E3WM-050	ELCL-A075	FBAH-0050	FTAH-A033	M4FH-0050
E3WM-075	ELCL-A100	FBAH-0051	FTAH-A050	M4FL-0033
E7AB-A033	F3AF-0105	FBAH-0075	FTAH-A074	M4FL-0040
E7AB-A050	F3AF-A050	FBAH-0100	FTAH-A075	MBFH-0026
E7AB-A075	F3AF-A075	FBAH-A025	FTAH-A100	MBFH-0033
E7AB-A100	F3AF-A100	FBAH-A033	FTAH-A101	MBFH-0049
EBAH-0050	F3AF-0150	FBAH-A050	FTAL-A050	MBFH-0050
EBAH-0075	F3AH-0150	FBAH-A075	FTAM-A050	MBFL-0028
EBAH-0100	F3AH-0152	FBAH-A100	FTAM-A059	MBFL-0034
EBAL-0050	F3AH-A035	FBAH-A101	FTAM-A074	MBFL-0050
EBAL-0975	F3AH-A050	FBAL-0050	FTAM-A075	MCFH-0027
EBAL-0100	F3AH-A056	FBAL-A034	FTCL-0050	MCFH-0036
EBAL-A033	F3AH-A074	FBAL-A050	FTEF-0034	MCFH-0049
EBAL-A050	F3AH-A075	FBAM-0050	FTEF-A032	MCFH-0050
EBAL-A075	F3AH-A078	FBAM-0051	FTEH-0025	MGFH-0017
EBAL-A100	F3AH-A100	FBAM-0075	FTEH-0033	MGFH-0020
EBAM-0050	F3AH-A101	FBAM-0100	FTEH-0050	MGFH-0024
EBAM-0075	F3AH-B074	FBAM-A050	FTEH-A024	MGFL-0013
EBAM-0100	F3AH-B075	FBAM-A075	FTEH-A032	MGFL-0017
EBAM-050	F3AM-A051	FBAM-A100	FTEH-A049	MGFL-0023
EBAM-A07	F3AM-A059	FBAM-A101	FTEL-0050	MMFH-0022
EBAM-100	F3AM-A074	FJAF-A050	FTEM-0050	MSYH-0025
EJAL-A033	F3AM-A077	FJAF-A056	M2FH-0017	MSYH-0033

PSE-331D

C3AH-0303	C3DD-0750	C7DB-0750	CDAH-0500	CMDL-0301
C3AH-0503	C3DD-0751	CBAH-0503	CJAL-0300	CMDL-0400
C3AL-0300	C3DH-0501	CBAL-0303	CJDL-0300	CMDL-0601
C3AL-0503	C3DH-0502	CBAM-0303	CJDL-0400	CMDL-0602
C3AM-0203	C3DL-0301	CBAM-0503	CJDL-0600	CMDL-0750
C3AM-0303	C3DL-0401	CBAM-0753	CJDL-0601	CMDL-0900
C3AM-0503	C3DL-0602	CBAU-0503	CJDL-0750	CTDH-0300
C3AT-0753	C3DL-0603	CBDH-0500	CJDL-0900	CTDH-0500
C3AU-0503	C3DL-0901	CBDL-0501	CLAL-0299	CTDH-0750
C3AU-0753	C7AB-0300	CBDL-0751	CLAL-0300	

PSE-411D

C3AU-1003	C3DL-1500	CJDL-1000	WJWL-0300
C3AU-1004	C3DL-1501	CJDL-1500	CBDD-1001
C3DD-1001	C7DB-1000	CMDL-1000	
C3DH-1011	CBAL-1001	CTDH-1000	

PSE-231D

C3AH-0075	CBAM-0103	D3AH-0075	F3EH-B075
C3AH-0100	CBAM-0153	D3AH-0100	F3EM-0077
C3AH-0150	CBAM-0203	D3AM-0075	F3EM-0078
C3AH-0203	CJAL-0100	D7AB-0075	F3EM-0101
C3AL-0153	CJAL-0150	DBAH-0075	F3EM-0102
C3AM-0075	CJAL-0151	DBAL-0075	F3WD-0150
C3AM-0100	CJAL-0200	DBAM-0075	FJAL-A200
C3AM-0200	CLAL-0100	DJAL-0070	FJAL-A250
C3AM-0202	CLAL-0150	DLAL-0075	FJAL-A300
C3AM-0203	CLAL-0151	EJAE-0175	FJAM-A106
C7AB-0075	CLAL-0200	ELAL-A152	FJAM-A125
C7AB-0100	CLAL-0299	F3AD-A151	FJAM-A126
C7AB-0150	CTAH-0200	F3AF-0150	FJAM-A150
C7AB-0200	F3AM-A105	F3AH-0152	FTAH-A150
CBAL-0078	W2WH-0150	F3AM-A105	FTEH-0075
CBAL-0103	W2WH-0300	F3AM-A175	FTEM-0075
CBAL-0153	W7WB-0150	F3AM-A201	
CBAL-0203	WJWL-0150	F3EH-0101	
CBAM-0078	CBAM-0078		

PSE-201D

PSE-331D

D3AH-0100	D7AB-0150	DBAM-200	DLAL-0200	VJAF-30H
D3AH-0150	D7AB-0200	DJAL-0100	DLAL-0201	VJAL-005S
D3AH-0200	DBAH-0150	DJAL-0150	E3AL-0175	VJAL-007S
D3AL-0152	DBAL-0100	DJAL-0151	V3AH-010H	VJAL-010S
D3AL-0201	DBAL-0150	DJAL-0200	V3AH-012H	VJAL-015S
D3AM-0100	DBAL-0200	DJAL-0300	VJAF-012H	
D3AM-0200	DBAL-0202	DLAL-0075	VJAF-017H	
D3AM-0201	DBAM-0100	DLAL-0100	VJAF-020H	
D7AB-0100	DBAM-0150	DLAL-0150	VJAF-029H	

PSE-241D

DLAL-0301	FJAL-A301	V3AH-015H	VJAF-025H
F3AD-0201	FJAM-A201	V3AH-020H	VJAF-030H
F3AD-0225	FJAM-A225	V3AH022H	VJAL-005S
F3AD-0301	FJAM-A300	V3AH-030H	VJAL-007S
F3AD-0325	FJAM-A325	V3AH-032H	VJAL-010S
F3AD-A201	FTAH-A200	V3AH-040H	VJAL-015S
F3AD-A201	FTAH-A201	V3AH-050H	W2WH-010
F3AD-A225	FTAH-A300	VJAF-012H	
F3AD-A301	V3AH-010H	VJAF-017H	
F3AD-A325	V3AH-012H	VJAF-020H	

PSE-311D

F3AD-A401	VJAF-025Z	VJAL-025Z	W7WB-0200
F3AD-A501	VJAF-035Z	VJAL-035Z	CLAL-0300
VJAF-035H	VJAF-040Z	VJAL-040Z	FJAM-A400
VJAF-040H	VJAF-050Z	VJAL-050Z	FJAM-A500
VJAF-022Z	VJAL-022Z	CLAL-0300	

PSE-401D

F3AH-0750	F3AH-0900	F3AH-1200
F3AH-0751	F3AH-1000	



Listed — No. 2L13
For all Copeland
Condensing Units

REFRIGERATION ENCLOSURES

CONPAK REFRIGERATION ENCLOSURES — PSE SERIES

Selections for Tecumseh Air-Cooled Condensing Units

PSE-181D

AE4430AC	AEA9415ZXAXC	AJ7465YE	AK9433EB
AE4430YC	AEA9417EXAXB	AJ9486EC	AK9433EC
AE4440AB	AEA9417EXAXC	AJA2422ZXAXB	AK9434AC
AE4440AC	AEA9417EXAXG	AJA2422ZXAXC	AK9441AC
AE4440AL	AEA9422ZXAXA	AJA2425AXAXB	AK9446EC
AE4440YB	AEA9422ZXAXB	AJA2425AXAXC	AK9458JC
AE4440YC	AEA9422AXAXC	AJA2425AXDXC	AK9461EC
AE4440YL	AEA9423EXAXA	AJA2429AXAXA	AK9466JC
AE4448AC	AEA9423EXAXB	AJA2429ZXAXB	AK9470EC
AE4448YC	AEA9423EXAXC	AJA4461AXAXB	AK9474JC
AEA2410AXAXC	AH2435AC	AJA4461AXAXC	AKA4460YXAXB
AE2410AXAXC	AH4518AC	AJA4461AXDXC	AKA4460YXAXC
AEA2413ZXAXC	AHA2435AXDXC	AJA4492AXAXC	AKA4460YXDXC
AEA2415AABXC	AHA7480AXDXC	AJA4492AXDXC	AKA4476YXAXC
AEA4430AXAXA	AHA7480AXFXC	AJA4492YXAXC	AK4476YXDXC
AEA4430AXAXB	AJ2422YC	AJA4492YXDXC	AKA9429ZXAXC
AEA4430AXAXC	AJ2422YD	AJA4512AXDXC	AK9433EXAXB
AEA4430YXAXA	AJ2425AB	AJA4512YXDXC	AKA9433EXAXC
AEA4430YXAXB	AJ2425AC	AJA7441AXAXC	AKA9433EXAXD
AEA4430YXAXC	AJ4425AC	AJA7441AXDXC	AKA9433EXDXC
AEA4440AXAXB	AJ4461AB	AJA7465AXAXE	AK9446EXAXC
AEA4400AXAXC	AJ4461AC	AJH7465YXAXE	AKA9446EXAXD
AEA4440AXAXL	AJ4492AC	AJA7465YXDXE	AKA9446EXDXC
AEA4440YXAXB	AJ4492YC	AJA7480ZDXDC	AKA9446EXDXD
AEA4440YXAXC	AJ4512AC	AJA9486EXDXC	AK9460ZDXDC
AEA4440YXAXL	AJ4512YC	AJA9486EXDXD	AKA9461EXDXC
AEA4448AXAXC	AJ7441AC	AJB7465AXDXE	AKA9461EXDXD
AEA4448YXAXC	AJ7465AC	AK4460YB	AKA9470EXDXC
AEA9145ZXAXA	AJ7465AE	AK4460YC	AKA9470EXDXD
AEA9415ZXAXB	AJ7465BE	AK4476YC	

PSE-201D

AH2445AC	AH7480AC	AHA2478ZXBXC	AHA7514AXDXC
AH2466AC	AH7511AC	AH2478ZXFXC	AHB7511AXDXC
AH2478JC	AH7511BC	AHA2410ZXDXC	AWE4520EXDXC
AH2494JC	AH7514AC	AHA2410AXFXC	AWE4520EXTXC
AH2410	AH7515JC	AHA4518AXDXC	AWG4520EXDXC
AH2411AC	AHA2445AXDXC	AHA4520EXDXC	AWG4520EXNXC
AH4518AC	AHA2466AXDXC	AHA4520EXFXC	AWG4520EXTXC
AH4520EC	AHA2468AXFXC	AHA7511AXFXC	

PSE-401D

AN4590GM	AN4612GM	SFA4587EXGXC	SFA4612EXGXC
AN4590HM	AN4612HM	SFA4587EXTXC	SFA4612EXTXC

PSE-311D

AG4553EM	SC030XMHA
AG4563EM	SC050LMXA
AG4572EM	SC050XMHA
AGA4553EXNXM	SFA7533ZXGXC
AGA4553EXTXM	SFA7533ZXTXC
AGA4563EM	SFA7537ZXGXC
AGA4563EXNXM	SFA7537AXNXC
AGA4563EXTXM	SFA7537ZXTXC
AGA4572EM	SFA7541ZXGXC
AGA4572EXNXM	SFA7541ZXTXC
AGA4572EXTXM	

PSE-241D

AG4534AM	AHA2412ZXDXM	AVA4540EXTXM	SFA2413ZXNXC
AH2480JC	AHA2412ZXFxm	AWE4524EXDXM	SFA2513ZXTXC
AH2412KM	AHA4524EXDXM	AWE4524EXTXM	SFA2415ZXGXC
AH2413AX	AHA4524EXFXM	AWG4524EXNXM	SFA2514ZXNXC
AH4524EM	AHA4534EXDXM	AWG4524EXTXM	SFA2514ZXTXC
AH4525AC	AHA4534EXFXM	AWG4530EXNXN	SFA2516ZXGXC
AH4534EM	AHA4540EXDXM	AWG4530EXTXM	SFA2516AXTXC
AH4540EM	AHA4540EXFXM	SC020LMXA	
AH7524JC	AVA4540EXNXM	SFA2513ZXGXC	

Listed — No. 2L13
For all Copeland
Condensing Units

REFRIGERATION ENCLOSURES

REFRIGERATION ENCLOSURES

CONPAK REFRIGERATION ENCLOSURES — PSE SERIES

Selections for Coldflow, Frick Blu-Cold, Keeprite and Maneurop

Keeprite Models

PSE-181D		
HCUA050H1AAM	HCUA075L1ADE	
CHUA050H1AAN	HCUA075M1AAE	
HCUA050H1ADP	HCUA075M1ADE	
HCUA050H1ADN	HCUA075MSAAE	
HCUA050H1AAM	HCUA075MSADE	
HCUA050L1AAN	HCUA100H2ADD	
HCUA050L1ADP	HCUA100L1ADE	
HCUA050L1ADN	HCUA100LSADE	
HCUA075H1AAD	HCUA100M1ADE	
HCUA075H1ADD	HCUA100MSADE	
HCUA075L1AAE		
PSE-201D	PSE-241D	PSE-311D
HCUA150H2ADF	HCUA200H2ADF	HCUA350H2ADH
HCUA150L1ADG	HCUA200LSADG	HCUA400H2ADH
HCUA150LSADG	HCUA200MADG	HCUA500H2ADH
HCUA150M1ADG	HCUA300H2ADF	HCUA5002AHHH
HCUA150M5ADG	HCUA300M5ADG	

Coldflow Models

PSE-181D	PSE-201D	PSE-241D	PSE-311D
CCH-0050AA-H1-B	CCH-0100AB-H-1-B	CCH-0200BB-M/N-2C	CCH-0300BB-H1-C
CCH-0050AB-H1-B	CCH-0150AB-H1-C	CCH-0200BC-M/H2-C	CCH-0400BB-M/H2-C
CCH-0050AA-L1-B	CCH-0150AB-L1-C	CCH-0200BB-H1-C	CCH-0040BC-M/N2-C
CCH-0050AB-L1-B	CCH-0150AB-L5-C	CCH-0300BB-L5-D	CCH-0500BB-M/H2-C
CCH-0075AB-H1-B	CCH-0150AC-L5-C	CCH-0300BC-L5-D	CCH-0500BC-M/H2-C
CCH-0075AA-L1-B	CCH-0150AB-M1-C	CCH-0300BB-M5-C	
CCH-0075AB-L1-B	CCH-0150AB-M5-C	CCH-0300BBM/H2-C	
CCH-0075AA-M1-B	CCH-0150AB-M/H2-C	CCH-0300BC-M/H2-C	
CCH-0075AB-M1-B	CCH-0200AB-H1-C		
CCH-0100-AB-L1-B	CCH-0200AB-L5-C		
CCH-0100AB-L5-B	CCH-0200AC-L5-C		
CCH-0100AB-M1-B	CCH-0200AB-M1-C		
CCH-0100AB-M/H2-B	CCH-0200AB-M5-C		
CCH-0100AB-M/H-2B	CCH-0200AB-M/H2-C		
	CCH-0200AC-M H2-C		

Frick Blu-Cold

PSE-181D	PSE-191D	PSE-311D	PSE-331D
11651.2,3	11041,2,33	1151,2,31	17151
	11051,2,33	11201,2,31	17201
	PSE-241D	11301,2,31	
	11071,2,34	173011	
	11101,3,34		
	171014		

Maneurop

PSE-311D		PSE-3141DM
CLT-22	CMT-36	CMT-50
CMT-22	CLT-44	CMT-64
CLT-28	CLT-50	CMT-72
		CLT-88
		CLT-100

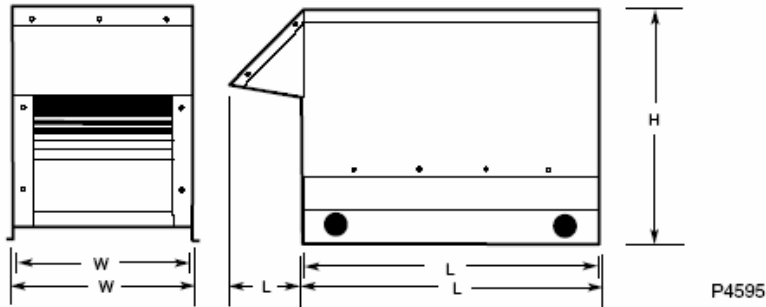
CON-PAK ECONOMY ENCLOSURES — ECO SERIES

Dimensions

PART NO	DIMENSIONS (in)			ANCHOR BOLT HOLE CENTERS (in)		APPROX SHIP WT (lbs)
	L	W	H	L2	W2	
ECO-180A	26 (26)	20 (20)	20 (16)	22-1/2	21-1/2	37
ECO-190A	28-1/2 (28-1/2)	34 (34)	22 (18)	24	35-1/4	67
ECO-200A	26 (26)	24-1/2 (24-1/2)	22 (18)	22-1/2	25-3/4	48
ECO-230A	34-1/2 (34-1/2)	24 (24)	25 (21)	31	25-1/4	64
ECO-240A	28-1/2 (28-1/2)	37 (37)	26-1/2 (22-1/2)	29-1/4	33	87

NOTE: Numbers in parenthesis () indicate interior dimensions in clear.

ECO180A, 190A, 200A, 230A, 240A



CON-PAK ECONOMY ENCLOSURES — ECO SERIES

Selections for Copeland, Tecumseh, Totaline, Coldflow, Keeprite, Frick Blu-Cold

Copeland Models

ECO-180A		ECO-190A	ECO-200A	ECO-240A	ECO-230A
E7AB-A033	F3AF-A050	D3AH-0100	D3AH-0075	F3AD-0201	C3AH-0075
ELAL-A033	F3AH-A050	D3AM-0100	D3AM-0075	F3AD-0225	C3AM-0075
E3AH-A050	F3AM-A051	D7AB-0100	D7AB-0075	F3AD-0301	C3AH-0100
E3AM-A050	F3AH-A074	DLAL-0100	DLAL-0075	F3AD-0325	C3AM-0100
E7AB-A050	F3AM-A074	D7AB-0150	F3AD-A151	F3ADA201	C7AB-0100
ELAL-A050	F3AF-A075	DLAL-0150	F3AH-0152	F3AD-A225	CLAL-0100
E3AM-A050	F3AH-A075	D3AL-0152	F3AM-A175	F3AD-A301	C7AB-0150
ELAL-A051	F3AM-A077	D3AH-0200	F3AM-A201	F3AD-A325	C3AH-0150
E3AH-A075	F3AM-A078	D3AM-0200			CLAL-0150
E3AM-A075	F3AF-A100	D7AB-0200			CLAL-0151
E7AB-A075	F3AH-A100	DLAL-0200			C3AL-0153
ELAL-A075	FBAM-A100	D3AM-0201			C7AB-0200
E3AH-A100	F3AH-A101	DLAL-0210			CLAL-0200
E3AM-A100	F3AM-A101	E3AL-0175			C3AM-0202
E7AB-A100	F3AM-A102	ELAL-A152			C3AH-0203
ELALA100	F3AF-0150				C3AM-0203
E3AL-A101					CLAL-0299

Tecumseh Models

ECO-180A			ECO-200A	ECO-240A
AE4330AC	AJ2425AB	AK4460YB	AH2445AC	AG4534AM
AE4430YC	AJ2425AC	AK4460YC	AH2466AC	AH2480JC
AE4440AB	AJ4461AB	AK4476YC	AH2511AC	AH2512KM
AE4440AC	AJ4461AC	AK9433EB	AH4520EC	AH2513AX
AE4440AL	AJ4492AC	AK9433EC	AH7480AC	AH4524EM
AE4440YB	AJ4492YC	AK9434AC	AH7511AC	AH4525AC
AE4440YC	AJ4512AC	AK9441AC	AH7511BC	AH4534EM
AE4440YL	AJ4512YC	AK9446EC	AH7514AC	AH4540EM
AE4448AC	AJ7441AC	AK9458JC	AH7515JC	AH7524JC
AE4448YC	AJ7465AC	AK9461EC	AH4520EC	ACO20LMXA
AH2435AC	AJ7465AE	AK9446JC		
AH4518AC	AJ7465BE	AK9470EC		
AJ2422YC	AJ7465YE	AK9474JC		
AJ2422YD	AJ9486EC			

For Coldflow Models

ECO-180A	ECO-200A	ECO-240A
CCH-0050AA-H1-B	CCH-0100AB-H1-B	CCH-0200AC-/H2-C
CCH-0050AB-H1-B	CCH-0150AB-H1-C	CCH-00200B-M/H2C
CCH-0050AA-L1-B	CCH-0150AB-L1-C	CCH-0200BC-M/H2-C
CCH-0050AB-L1-B	CCH-0050AB-L1-B	CCH-0200BB-H1-C
CCH-0075AB-H1-B	CCH-150AC-L5-C	CCH-0300BB-L5-D
CCH-0075AA-L1B	CCH-0150AB-M1-C	CCH-00300BC-L5-D
CCH-0075AB-L1-B	CCH-0150AB-M5-C	CCH-0300BB-M5C
CCH-0075AB-M1-B	CCH-0200AB-H1-C	CCH-0300BC-M/H2-C
CCH-0100AB-L1-B	CCH-0200AB-L5-C	
CCH-0100AB-L5-B	CCH-0200AC-L5-C	
CCH-0100AB-M1-B	CCH-0200AB-M1-C	
CCH-0100AB-M/H2-B	CCH-0200AB-M5-C	
	CCH-0200AB-M H2-C	

CON-PAK ECONOMY ENCLOSURES — ECO SERIES

Selections for Copeland, Tecumseh, Totaline, Coldflow, Keeprite, Frick Blu-Cold

Keeprite Models

ECO-180A		ECO-200A	ECO-240A
HCUA050H1AAM	HCUA075L1ADE	HCUA150H2ADF	HCUA200H2ADF
HCUA050H1AAN	HCUA075M1AAE	HCUA1501ADG	HCUA200L5ADG
HCUA050H1ADP	HCUA075M1ADE	CHUA150L5ADG	HCUA200M5ADG
HCUA050H1ADN	HCUA075M5AAE	HCUA150M1ADG	HCUA300H2ADF
HCUA050H1AAM	HCUA075M5ADE	HCUA150M5ADG	HCUA300HM5ADG
HCUA050L1AAN	HCUA100H2ADD		
HCUA050L1ADP	HCUA100L1ADE		
HCUA050L1ADN	HCUA100L5ADE		
HCUA075H1AAD	HCUA100M1ADE		
HCUA075H1ADD	HCUA100M5ADE		
HCUA075L1AAE			

Frick Blu-Cold Models

ECO-180A	ECO-10A	ECO-240A
11651, 23	11041, 2, 33	11071, 2, 33
		11101, 3, 34
	11051, 2, 33	17101*4

For Frick Blu-Cold Models — *may be used in combination of two (2) units PSE-411D

(1)	Units require Base Kit #GBK-001
(3)	Units with oil separator require Base Kit #GBK-003
(4)	Units with oil separator require Base Kit #GBK-004
(5)	Units require Cabinet Extension #CXK-001