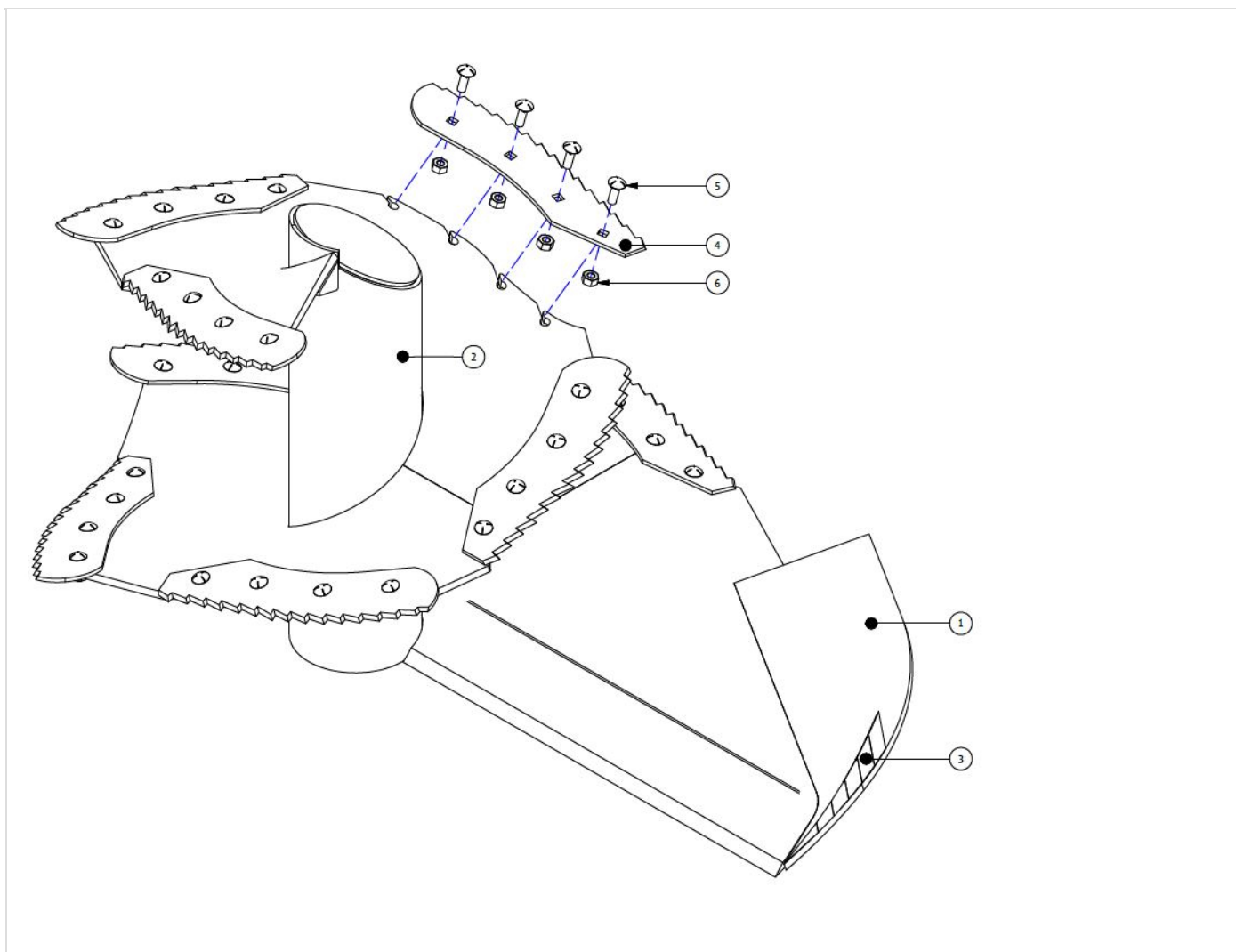
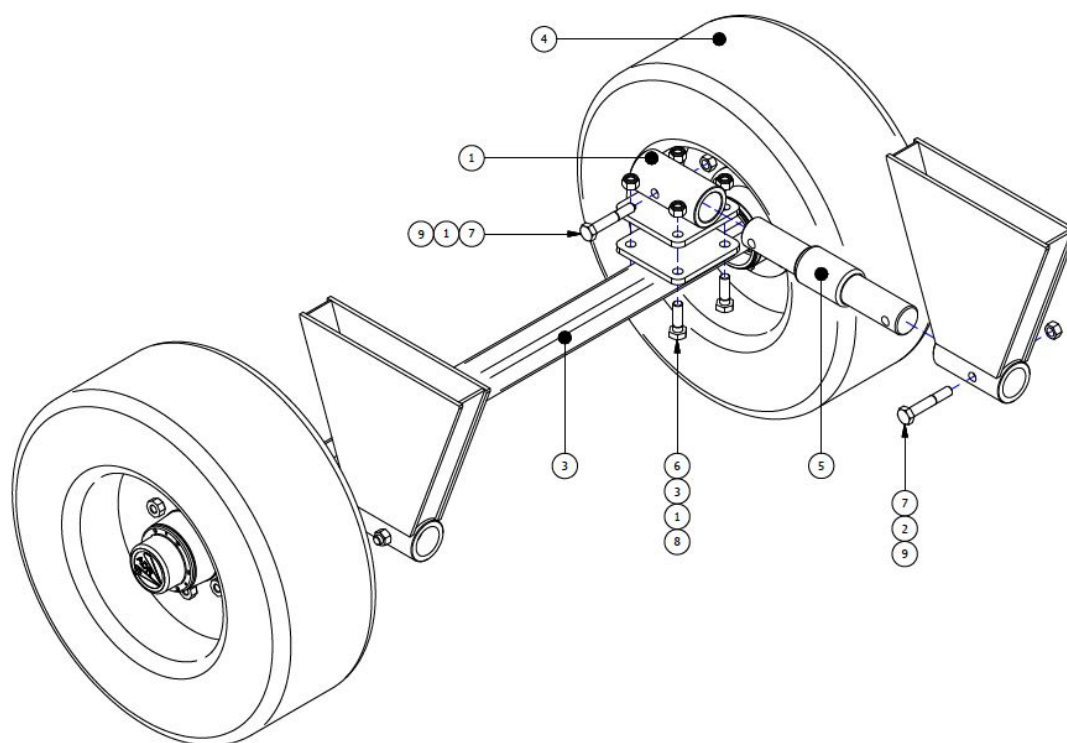

5150 chain drive mixers

Table of Contents

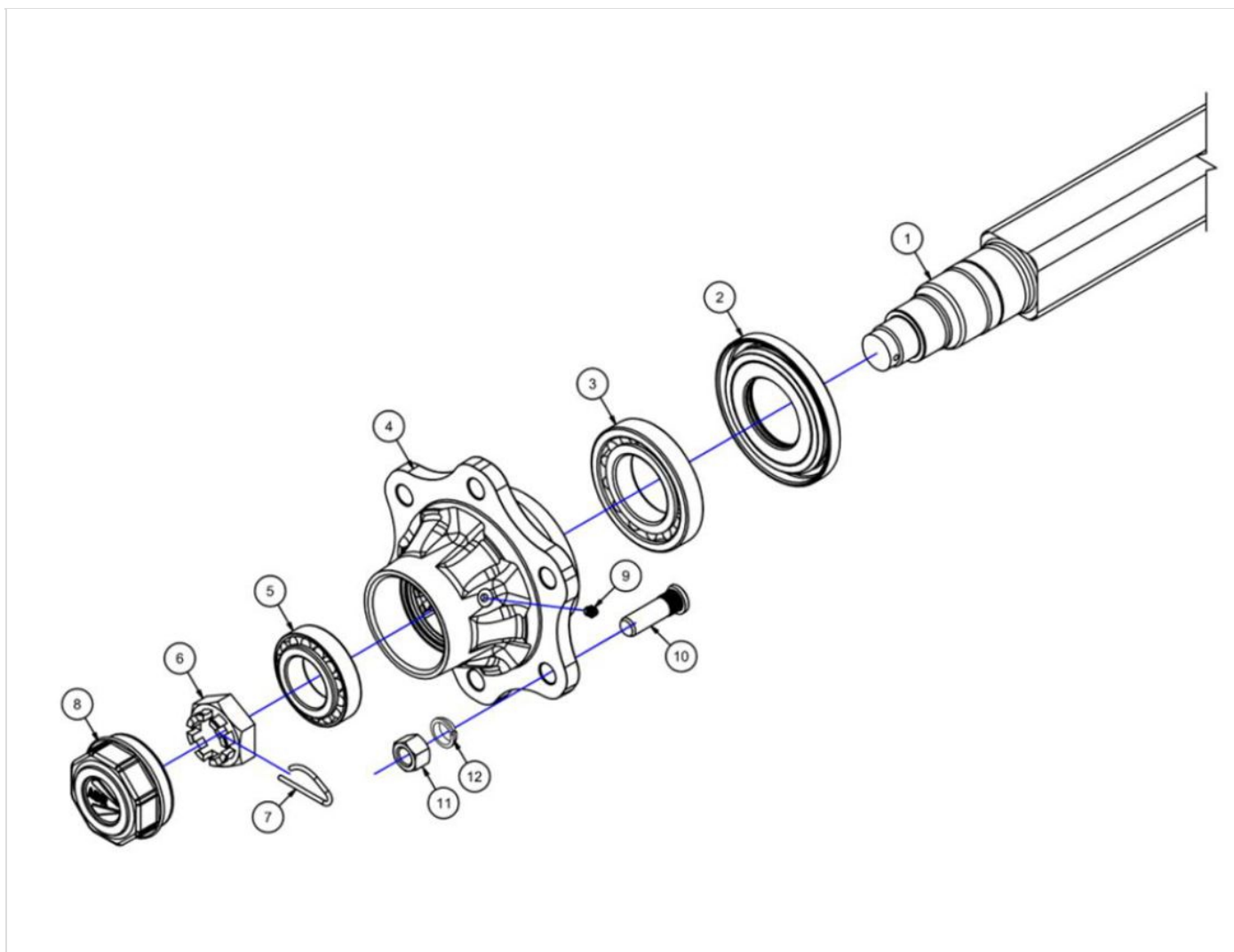
Book Page	Page Number
Auger	
Auger	3
Axle	
Axle Mount	4
Hub	5
Driveline	
Gearbox Parts	6
Driveline Parts	8
PTO	10
Chain Tensioner	11
Grease Lines	12
Drum	
Viewing Window	13
Restrictor Blade	14
Door Panel & Tracks	15
Door Arm	17
Door Chute	18
Door Hydraulics	19
Drum Extension	20
Undershield	21
Electrical	
Scale System	22
Front-End	
Hitch	23
Front Frame Assy	24



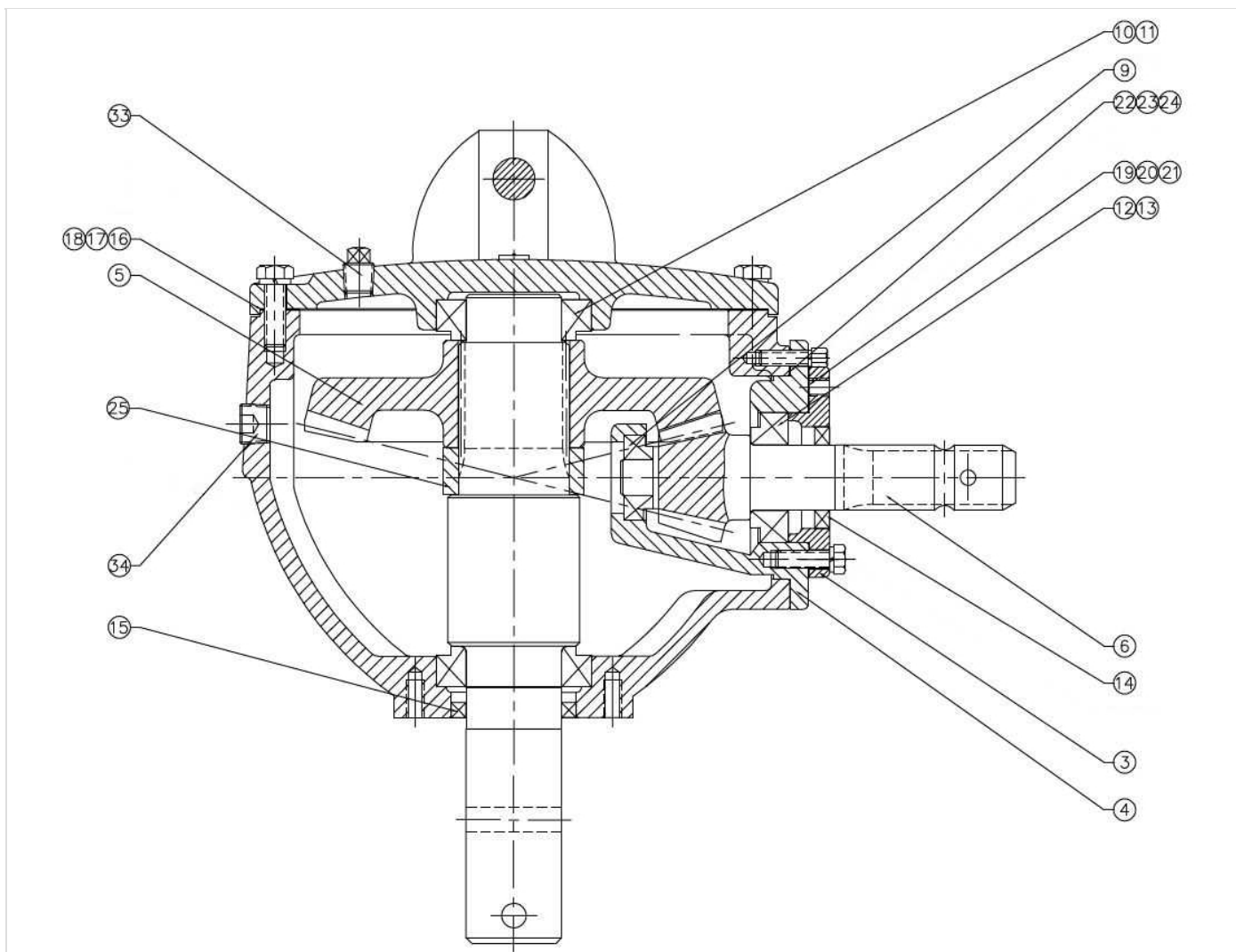
Pos	SKU	Description	Qty	Remark
1	AAA-005-00677	72DIA SLIDE PLATE 1/2T	1	
2	AAA-005-00680	5000 SERIES AUGER ASSY 72DIA	1	
3	AAA-005-00708	BEND & CHAMFERED ANGLING KNIFE 72IN AUGER 410 SS 1/4T	1	
4	AAB-005-00030	KNIFE - TUNGSTEN COATED 1/4T (X)	8	
5	AAB-015-10066	BOLT CARRIAGE 1/2 X 1-1/2 UNC GRD 5	32	
6	AAB-015-20011	NUT HEX 1/2 UNC GRD 5	32	
7	AAA-005-00226	STANDARD KNIFE KIT (INCL HARDWARE)	1	NOT PICTURED
7	AAA-005-01028	STANDARD 10 KNIFE KIT (INCL HARDWARE)	1	NOT PICTURED



Pos	SKU	Description	Qty	Remark
1	AAA-002-02045	AXLE WB SUPT WELDMENT 2.5ID X 7.125L (5275)	2	
2	AAA-004-00241	WHEEL BOX WELDMENT 2.5ID X 7.125L (5150)	2	
3	AAB-004-00263	AXLE W/ GREASE FIT - 6 BOLT X 203 MM BC X 152 MM PILOT X 1550 MM F-F	1	
4	AAB-004-00264	TIRE AND RIM QINGDAO 9 X 15.3 WITH 10.0 / 75 - 15.3 18PLY	2	
5	AAB-010-00419	DG WB 2.5 DIA X 16.929 L	2	
6	AAB-015-10134	BOLT HEX 3/4 X 2-1/2 UNC GRD 8	8	
7	AAB-015-10180	BOLT HEX 3/4 X 4-1/2 UNC GRD 8	4	
8	AAB-015-20016	NUT HEX LOCK NYLON 3/4 UNC GRD 8	8	
9	AAB-015-20023	NUT HEX 3/4 UNC GRD 5	4	

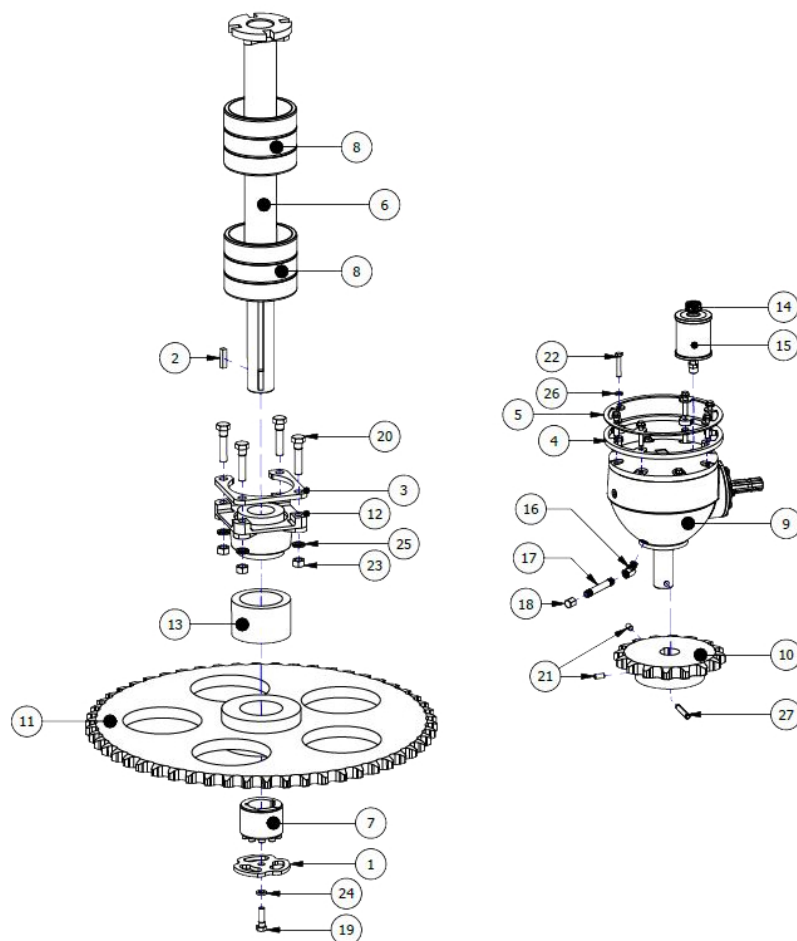


Pos	SKU	Description	Qty	Remark
1	AAB-004-00268	SQUARE AXLE (SQ070 TRACK 1550)	1	
2	AAB-004-00269	INDUSTRIAL GREASE SEAL 067/120	2	
3	AAB-004-00270	BEARING WITH INNER RACE 30213 065 120 24.75	2	
4	AAB-004-00271	HUB H06 18 090-120 160-205	2	
5	AAB-004-00272	BEARING WITH OUTER RACE 32210 050 090 24.75	2	
6	AAB-015-20063	CROWN NUT M39 X 1.50 WR60 H30	2	
7	AAB-004-00273	SPRING PIN FOR CROWN NUT M39	2	
8	AAB-004-00274	THREADED CAP 090 M92X2.00 ADR	2	
9	AAB-008-00147	FIT GREASE NIPPLE M8-1.25	2	
10	AAB-015-10203	WHL STUD M18-1.50 X 50MM CH27	12	
11	AAB-015-20064	NUT HEX M18 X 1.50 CLASS 8	12	
12	AAB-015-30048	SPHERICAL LOCK WASHER FOR M18 BOLTS	12	



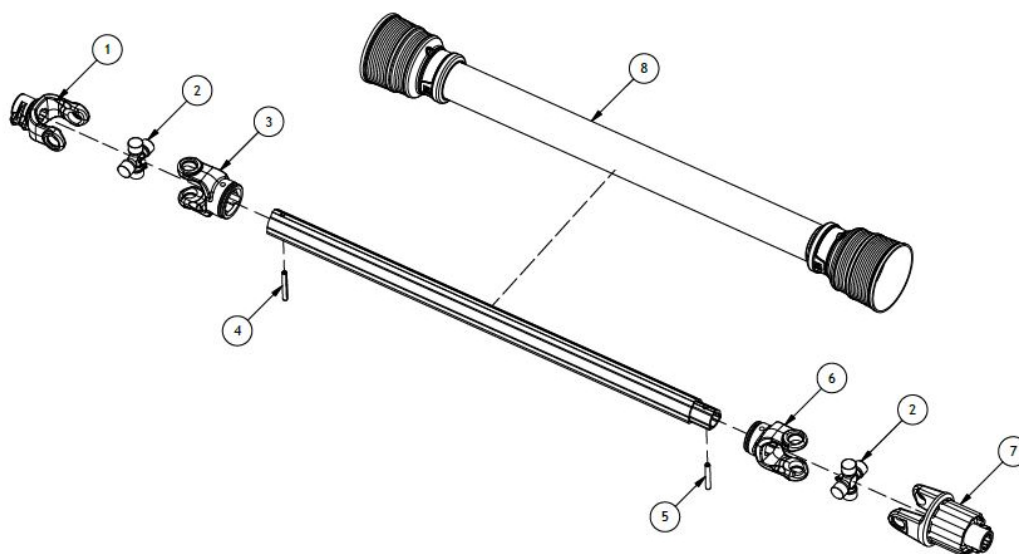
Pos	SKU	Description	Qty	Remark
3	AAB-007-01200	PHD-75C CAP, INPUT (020122)	1	
4	AAB-007-01201	PHD-75C SHAFT, RETAINER (020123)	1	
5	AAB-007-01202	PHD-75C GEAR 44T (030106)	1	
6	AAB-007-01203	PHD-75C PINION 11T (JAYLOR 6 SPLINE SHAFT)	1	
9	AAB-007-01204	PHD-75C TAPERED CONE, 14137A (050030)	1	
10	AAB-007-01205	PHD-75C TAPERED CUP, LM104911 (050004)	1	
11	AAB-007-01206	PHD-75C TAPERED CONE, LM104949 (050005)	1	
12	AAB-007-01207	PHD-75C TAPERED CUP, LM11910 (050002)	1	
13	AAB-007-01208	PHD-75C TAPERED CONE, LM11949 (050003)	1	
14	AAB-007-01209	PHD-75C SEAL, OUTPUT, 3N2702C (060053)	1	
15	AAB-007-01210	PHD-75C SEAL, INPUT, 3N1606D (060060)	1	
16	AAB-007-01211	PHD-75C GASKET, 0.1mm (070019)	1	
17	AAB-007-01212	PHD-75C GASKET, 0.15mm (070020)	1	
18	AAB-007-01213	PHD-75C GASKET, 0.5mm (070021)	1	
19	AAB-007-01214	PHD-75C GASKET, 0.1mm (070043)	1	
20	AAB-007-01215	PHD-75C GASKET, 0.15mm (070044)	1	
21	AAB-007-01216	PHD-75C GASKET, 0.5mm (070045)	1	

Pos	SKU	Description	Qty	Remark
22	AAB-007-01217	PHD-75C GASKET, 0.1mm (070218)	1	
23	AAB-007-01218	PHD-75C GASKET, 0.2mm (070219)	1	
24	AAB-007-01219	PHD-75C GASKET, 0.3mm (070220)	1	
25	AAB-007-01220	PHD-75C SPACER (090012)	1	
33	AAB-007-01221	PHD-75C SQUARE HEAD PIPE PLUG, 1/2-14 NPTF (140000)	1	
34	AAB-007-01222	PHD-75C SOCKET HEAD PIPE PLUG, 1/2-14 NPTF (140004)	1	

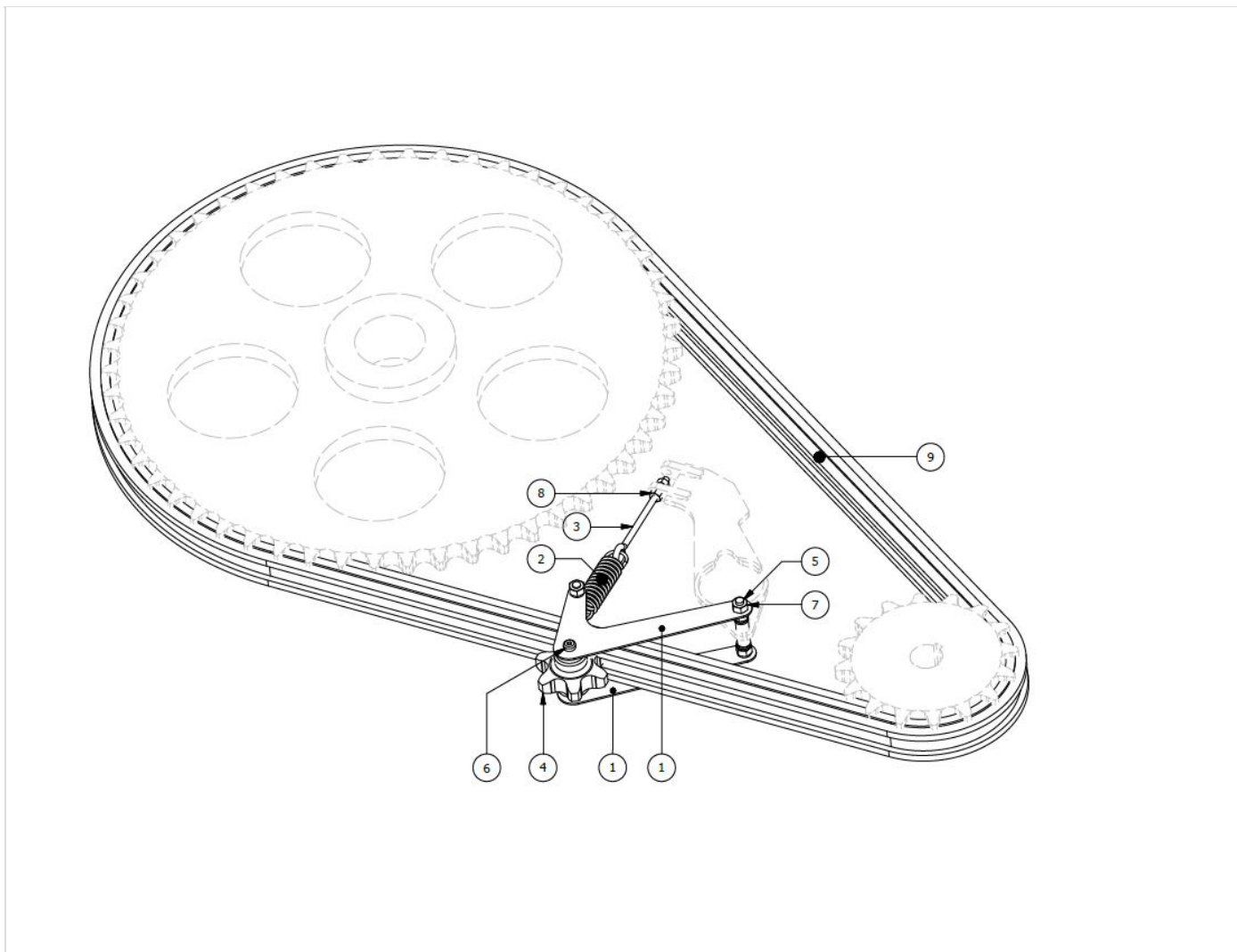


Pos	SKU	Description	Qty	Remark
1	AAA-005-00406	AUGER SPROCKET SAFETY PLT 3/8T	1	
2	AAA-005-00669	KEY STOCK 1/2 X 1/2 X 2L	4	
3	AAA-007-00872	BEARING SPCR PLT 1/2T	1	
4	AAA-007-00895	SPACER PLATE FOR PHD-75 BEVEL GRBX (5275)	1	
5	AAA-007-00896	SPACER PLATE FOR PHD-75 BEVEL GRBX (5275) (1/8"THK)	1	
6	AAA-007-00919	AUGER DRIVE SHAFT FRT 3-1/4" OD X 39.12"L W/ KEYWAYS	1	
7	AAA-007-00920	LCK BUSHING WITH KEYWAYS ADDED HD 2-3/4" ID	1	
8	AAB-005-00043	NYLATRON BUSHING 6.375ID X 7.300OD X 6L	2	
9	AAB-007-00870	PHD-75 BEVEL GRBX (4:1 RATIO) (540 INPUT) (88 HP RATING)	1	
10	AAB-007-00871	SPROCKET #160 X 16T 2" ID / 1/2" KEY	1	
11	AAB-007-00872	SPROCKET #160 X 54T 4.331" ID (125 MICRO-INCH SURFACE FINISH - ID)	1	
12	AAB-007-00874	TAPERED ROLLER FLNG BEARING 2-3/4ID	1	
13	AAB-007-00969	SPACER BUSHING 4.311 ID 5 OD 3.75L	1	
14	AAB-008-00034	BREATHER OPEN 40 MICRON 3/8 NPT	1	
15	AAB-008-00160	OIL RESERVOIR 16 OUNCE 1/2" NPTF	1	

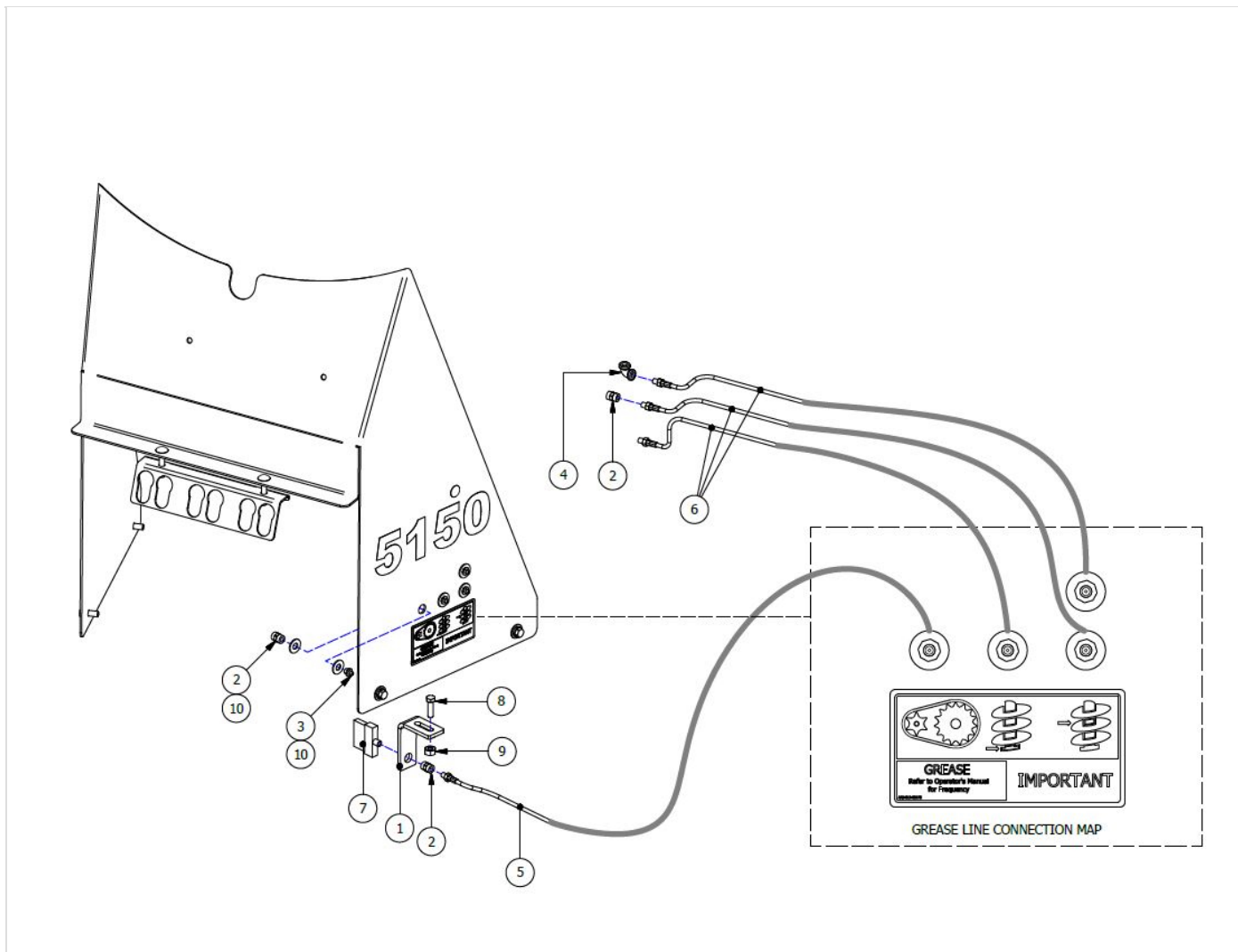
Pos	SKU	Description	Qty	Remark
16	AAB-009-00746	FIT 45 DEG 6 MNPT X 6 FNPT	1	
17	AAB-009-00747	PIPE NIPPLE 6 MNPT X 4 L	1	
18	AAB-009-00748	FIT CAP 6 FNPT	1	
19	AAB-015-10068	BOLT HEX 5/8 X 2 UNC GRD 8	1	
20	AAB-015-10145	BOLT HEX 3/4 X 3-1/2 UNC GRD 8	4	
21	AAB-015-10187	SET SCREW 1/2-13 X 1L	2	
22	AAB-015-10200	BOLT HEX 7/16-14 UNC X 2-1/4L GRD 5	8	
23	AAB-015-20023	NUT HEX 3/4 UNC GRD 5	4	
24	AAB-015-30019	WSHR LOCK 5/8	1	
25	AAB-015-30022	WSHR LOCK 3/4	4	
26	AAB-015-30029	WSHR LOCK 7/16	8	
27	AAB-015-40032	SPRING PIN 1/2 DIA X 3L	1	
28	AAA-008-00118	OIL RESERVOIR WITH BREATHER INSTALLED	1	NOT PICTURED



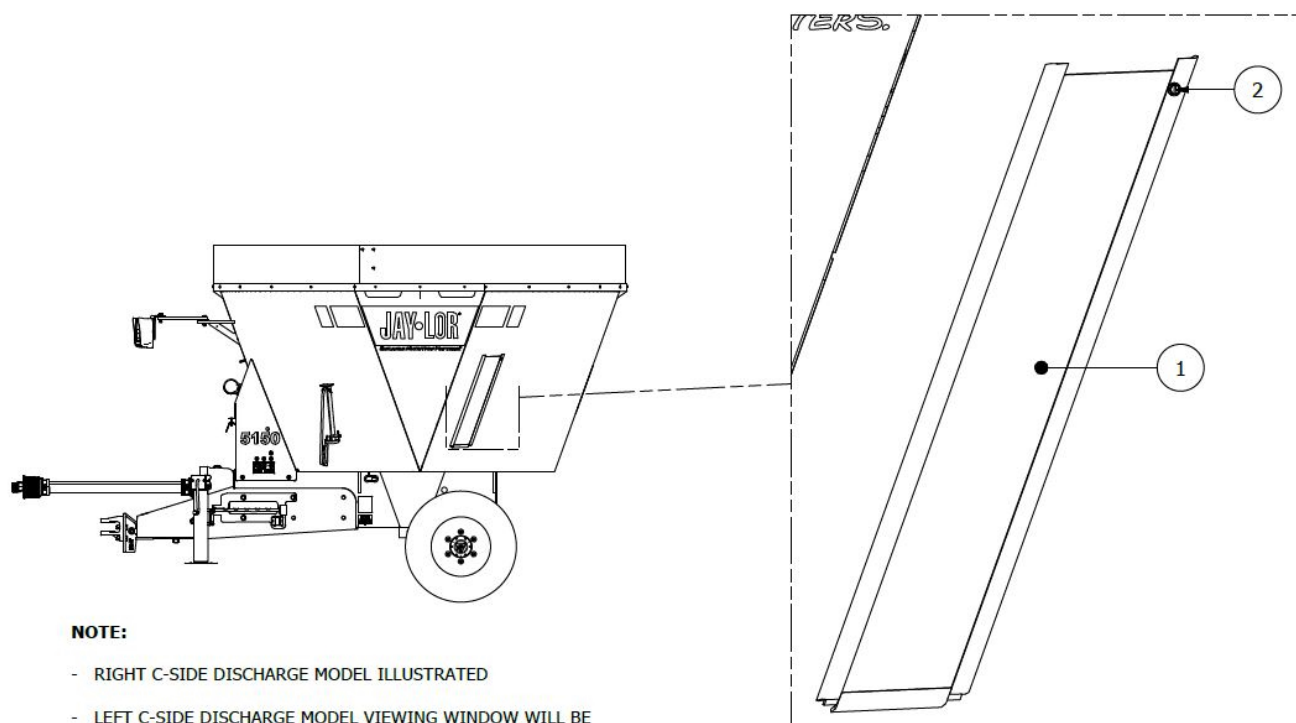
Pos	SKU	Description	Qty	Remark
1	AAB-007-00172	YOKE ASSEMBLY PUSH PIN TRACTOR NUM 6 1-3/8 Z6 (1026010)	1	
2	AAB-007-00183	CROSS ASSEMBLY NUM 6 (1006020)	2	
3	AAB-007-01309	OUTER TUBE YOKE NUM 6 (1706127)	1	
4	AAB-007-01340	10X75 1485DIN ROLL PIN (6330880)	1	
5	AAB-007-01310	INNER TUBE YOKE NUM 6 (1706129)	1	
6	AAB-007-00967	PAWL TYPE LIMITER (LN3) (1646290)	1	
7	AAB-007-00963	COMPLETE PROTECTION (91SS6094)	1	
8	AAB-007-01250	ANTIROTATION CHAIN (1006065)	1	NOT PICTURED



Pos	SKU	Description	Qty	Remark
1	AAA-007-00212-P3	BTTM BRKT RC IDLER 1/8T (PAINTED)	2	
2	AAB-007-00887	EXT SPRING 122 LBS MAX WORK LOAD	1	
3	AAB-007-00888	EYE BOLT 3/8 X 6	1	
4	AAB-007-00889	UMHW #160 IDLER	1	
5	AAB-015-10065	BOLT HEX 1/2 X 5 FULL THREAD GRD 5	2	
6	AAB-015-10198	SHLDR BOLT 1/2 X 4 X 3/8-16	1	
7	AAB-015-20011	NUT HEX 1/2 UNC GRD 5	6	
8	AAB-015-20017	NUT HEX 3/8 UNC GRD 2	2	
9	AAB-007-00880	#160 ROLLER CHAIN	1	
10	AAA-007-00894	#160 ROLLER CHAIN TENSIONER ASSEMBLY	1	NOT PICTURED
11	AAB-007-00882	#160 ROLLER CHAIN MASTER LINK KIT	1	NOT PICTURED

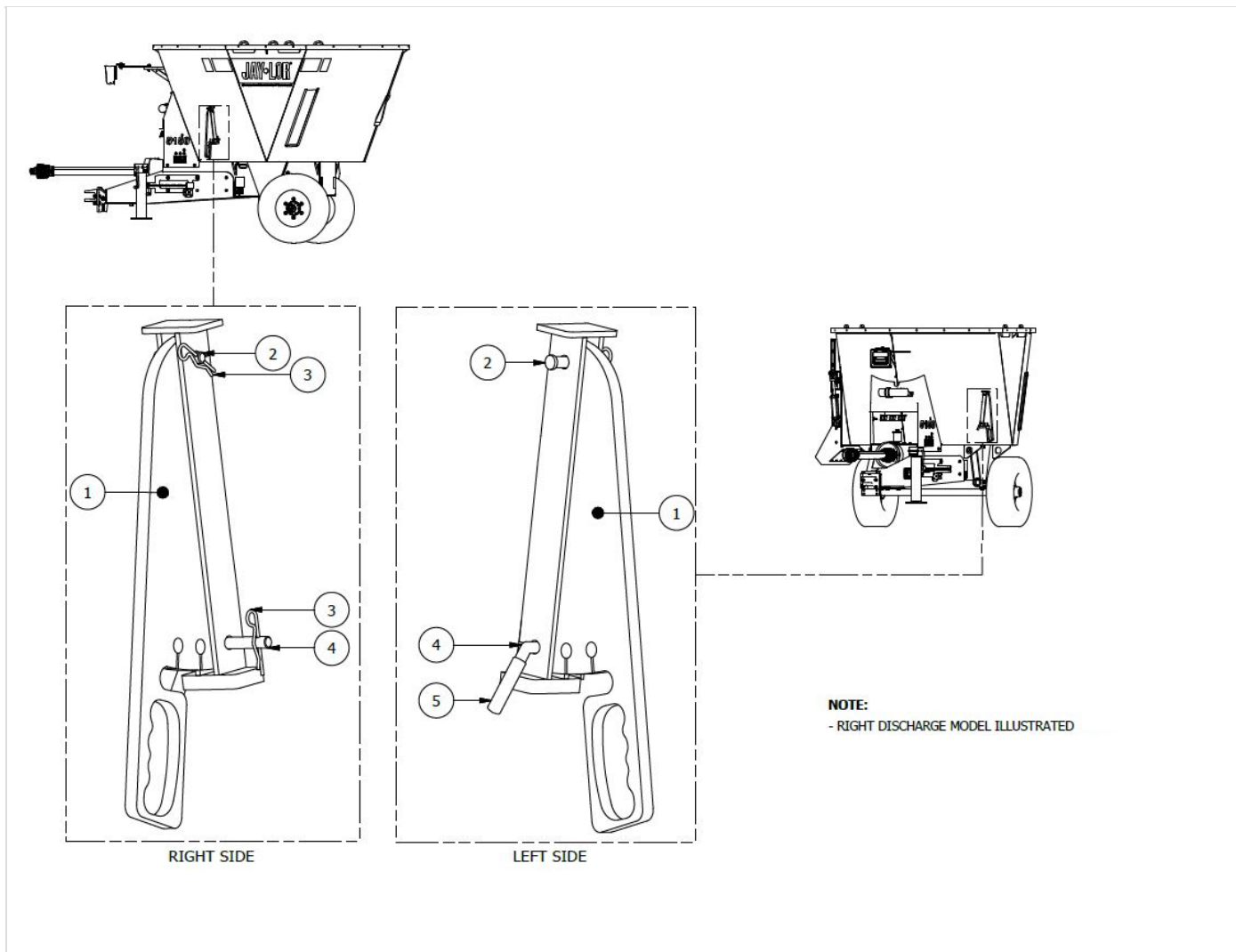


Pos	SKU	Description	Qty	Remark
1	AAA-008-00107-P3	GREASE BRUSH MNT BRKT 1/4T (BLACK)	1	
2	AAB-008-00030	FIT 2 FNPT X 2 FNPT	6	
3	AAB-008-00031	FIT GREASE NIPPLE X 2 MNPT	4	
4	AAB-008-00109	FIT 90DEG 1/8 FNPT X 1/8 FNPT	1	
5	AAB-008-00152	CTRL GREASE LINE 2 MNPT X 2MNPT X 30L / SAE100R7 THERMAL PLASTIC	1	
6	AAB-008-00153	CTRL GREASE LINE 2 MNPT X 2MNPT X 65L / SAE100R7 THERMAL PLASTIC	3	
7	AAB-008-00156	NYLON GREASE BRUSH 2W X 2-5/16H 1/8 NPT	1	
8	AAB-015-10111	BOLT HEX 3/8 X 1-1/4 UNC GRD 5	1	
9	AAB-015-20017	NUT HEX 3/8 UNC GRD 2	1	
10	AAB-015-30012	WSHR FLAT 3/8 USS	8	

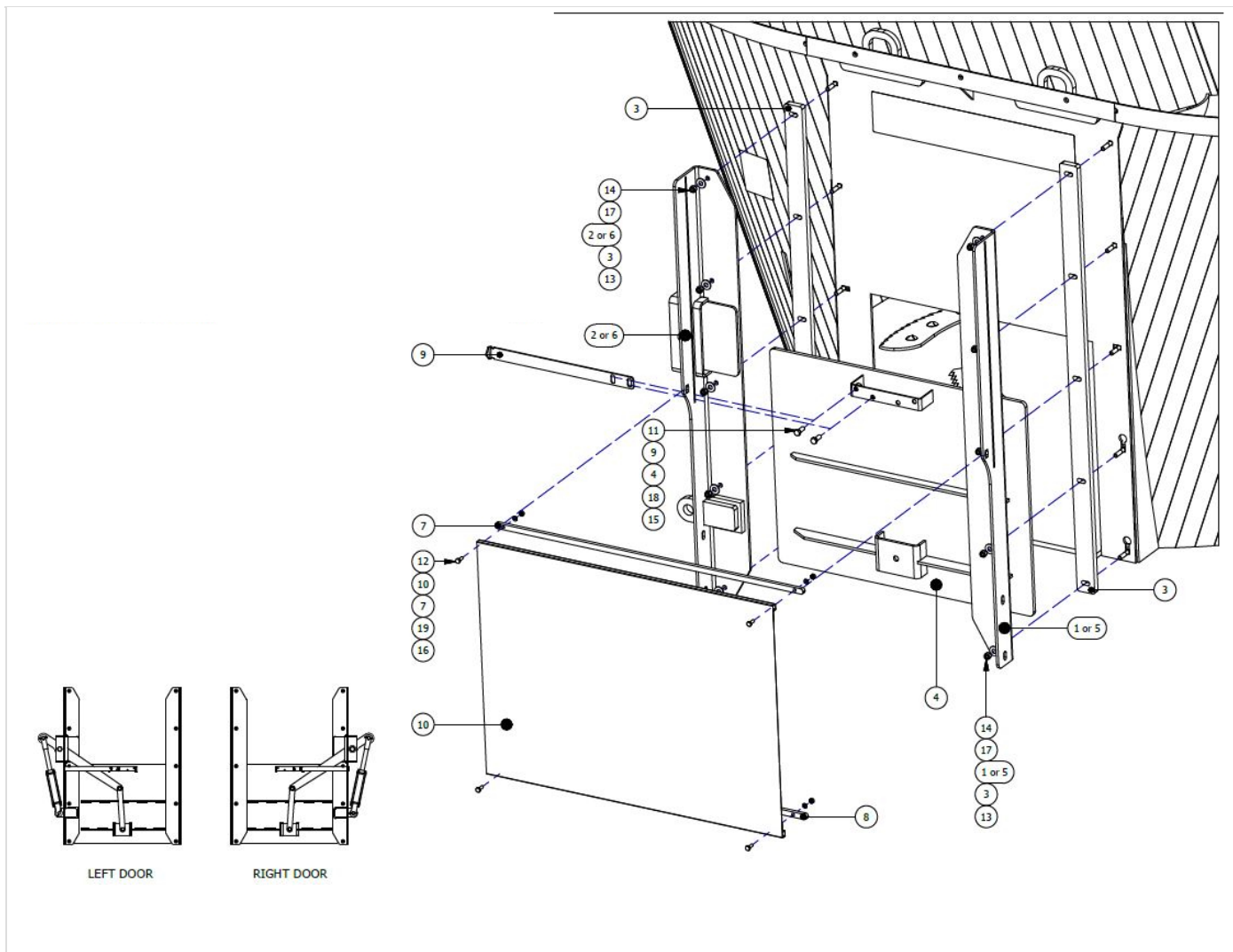
**NOTE:**

- RIGHT C-SIDE DISCHARGE MODEL ILLUSTRATED
- LEFT C-SIDE DISCHARGE MODEL VIEWING WINDOW WILL BE LOCATED ON THE OPPOSITE SIDE OF THE MIXING DRUM
- DUAL C-SIDE DISCHARGE MODEL WILL NOT HAVE A VIEWING WINDOW

Pos	SKU	Description	Qty	Remark
1	AAB-001-00037	WNDW VIEWING	1	
2	AAB-015-10144	BOLT HEX SELF-TAPPING 1/4-20 X 1/2L GRD 5	1	

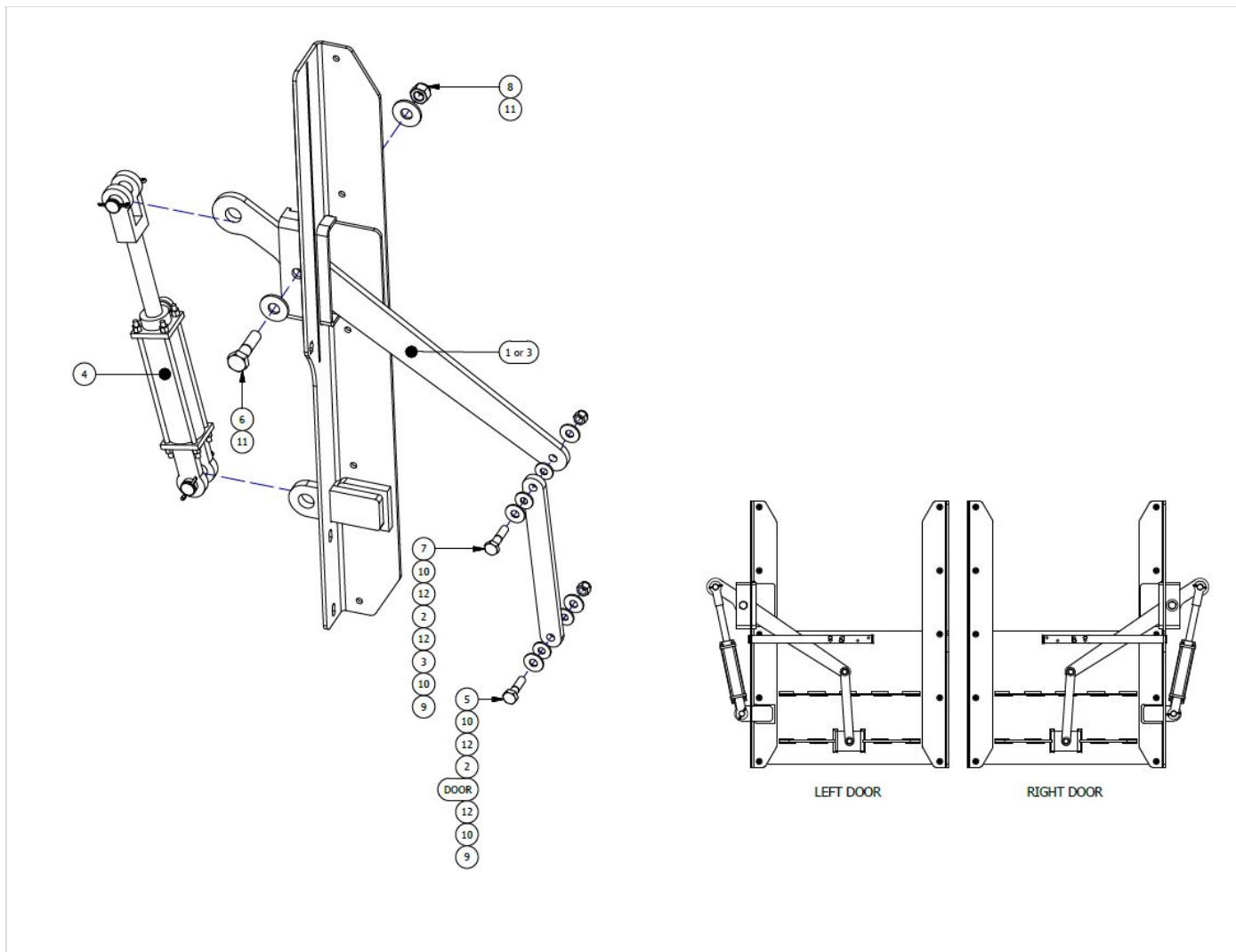


Pos	SKU	Description	Qty	Remark
1	AAA-001-02121-P3	RB (5150/5275) (PAINTED)	1	
2	AAB-001-00017	PIN PIVOT 1/2 X 2	1	
3	AAB-001-00019	PIN HTCH CLIP 1/8 X 2-9/16	2	
4	AAB-001-00020	PIN BENT ADJUSTMENT 1/2 X 3-5/8 FOR RB	1	
5	AAB-015-40009	GRIP ADJUSTMENT PIN VINYL 1/2 X 2-1/2	1	
6	AAA-001-02835	RESTRICTOR BLADE KIT (5150/5275)	1	NOT PICTURED

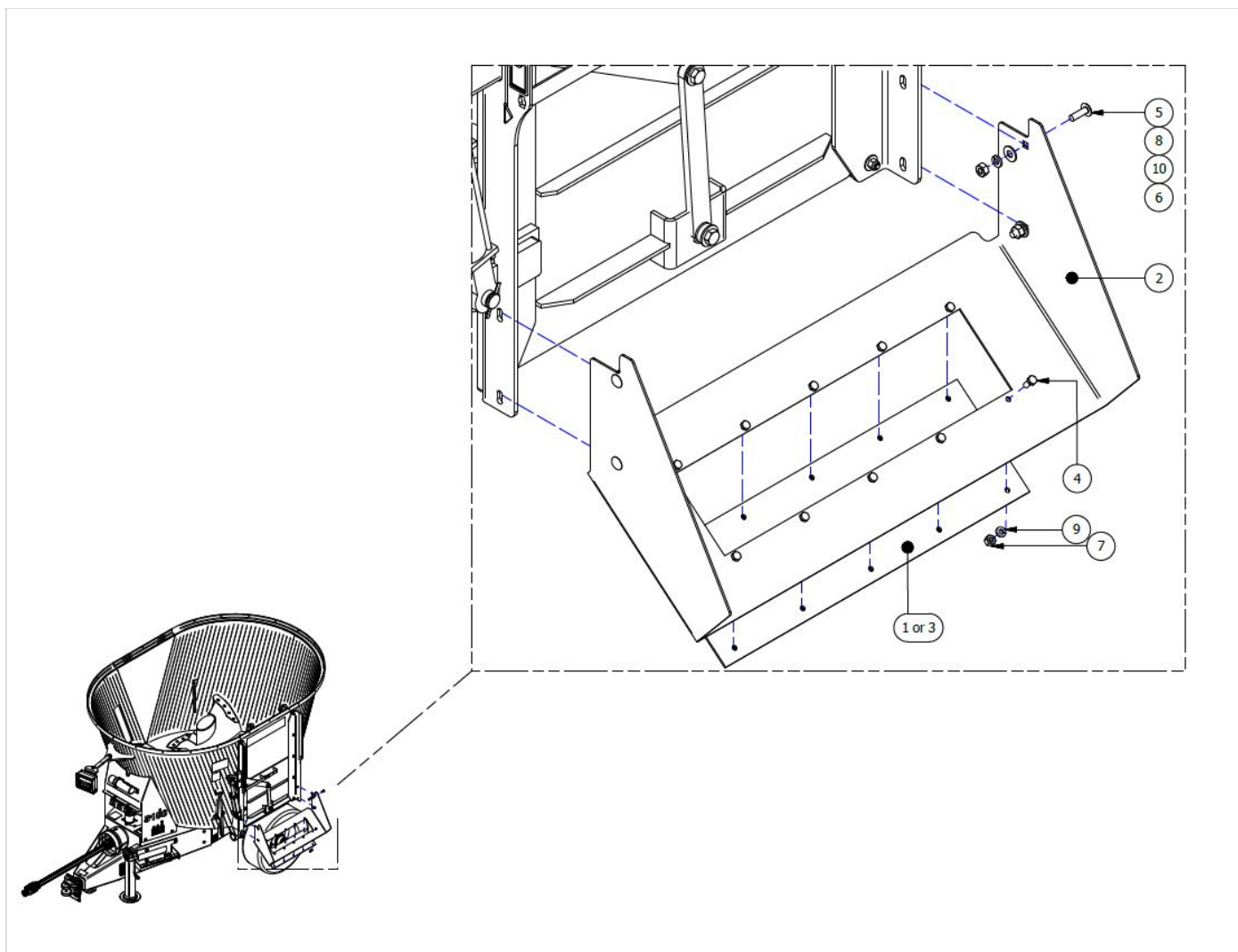


Pos	SKU	Description	Qty	Remark
1	AAA-001-02081	C-SIDE DOOR TRACK FRT RTH OR REAR LTH 1/4T (5275)	1	
2	AAA-001-02087	C-SIDE DOOR TRACK FRT RTH OR REAR LTH WELDMENT (5275)	1	
3	AAA-001-02088	C-SIDE DOOR SPCR 5/8T (5275)	2	
4	AAA-001-02093	C-SIDE DOOR WELDMENT (5275)	1	
5	AAA-001-02097	C-SIDE DOOR TRACK FRT LTH OR REAR RTH (5275)	1	
6	AAA-001-02099	C-SIDE DOOR TRACK FRT LTH OR REAR RTH WELDMENT (5275)	1	
7	AAA-001-02105	C-SIDE SHIELD UPPR CROSS BAR 35L X 3/8T (5150/5275)	1	
8	AAA-001-02106	C-SIDE SHIELD LWR CROSS BAR 33.625L X 3/8T (5150/5275)	1	
9	AAA-001-02115-P3	C-SIDE DOOR HEIGHT INDICATOR 1/8T (5150/5275)	1	
10	AAB-001-00051	C-SIDE TARP DISCHARGE SHIELD 40 OZ (5275)	1	
11	AAB-015-10056	BOLT HEX 3/8 X 1 UNC GRD 2	2	
12	AAB-015-10089	BOLT HEX 1/4 X 3/4 GRD 5	4	
13	AAB-015-10171	BOLT CARRIAGE 3/8 X 1-3/4 UNC GRD 5	10	

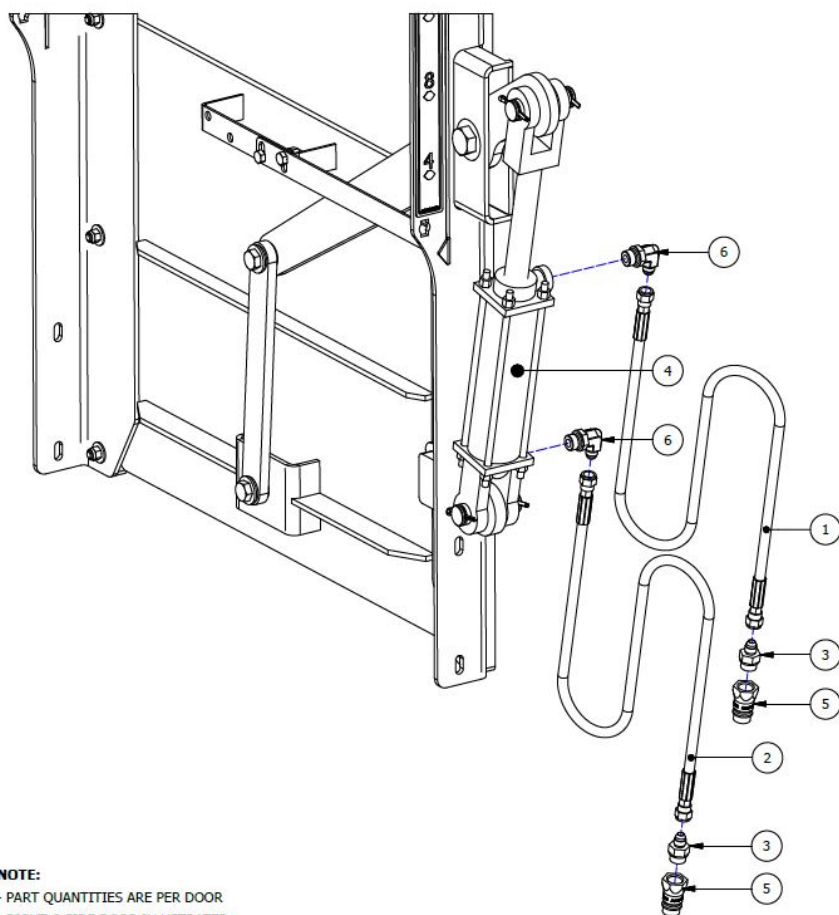
Pos	SKU	Description	Qty	Remark
14	AAB-015-20012	NUT HEX 3/8 LOCK NYLON GRD 2	10	
15	AAB-015-20017	NUT HEX 3/8 UNC GRD 2	2	
16	AAB-015-20036	NUT HEX 1/4 UNC GRD 5	4	
17	AAB-015-30012	WSHR FLAT 3/8 USS	10	
18	AAB-015-30017	WSHR LOCK 3/8	2	
19	AAB-015-30025	WSHR FLAT 1/4 USS	4	



Pos	SKU	Description	Qty	Remark
1	AAA-001-02101-P3	DOOR ARM FRT RTH & REAR LTH (5275) (BLACK)	1	
2	AAA-001-02102-P3	DOOR LINKAGE 1/2T (5275) (BLACK)	1	
3	AAA-001-02108-P3	DOOR ARM FRT LTH & REAR RTH (5275) (BLACK)	1	
4	AAB-009-00230	HYD CYDR 6 STROKE X 2DIA	1	
5	AAB-015-10064	BOLT HEX 1/2 X 2 UNC GRD 5	1	
6	AAB-015-10079	BOLT HEX 3/4 X 3 UNC GRD 5	1	
7	AAB-015-10133	BOLT HEX 1/2-13 X 2-1/4 GRD 5	1	
8	AAB-015-20016	NUT HEX LOCK NYLON 3/4 UNC GRD 8	1	
9	AAB-015-20019	NUT NYLON LOCK 1/2 UNC GRD 5	2	
10	AAB-015-30013	WSHR FLAT 1/2 USS	4	
11	AAB-015-30015	WSHR FLAT 3/4 USS	2	
12	AAB-015-30034	WSHR NYLON 1/2ID X 1-1/4OD X 1/8T	4	

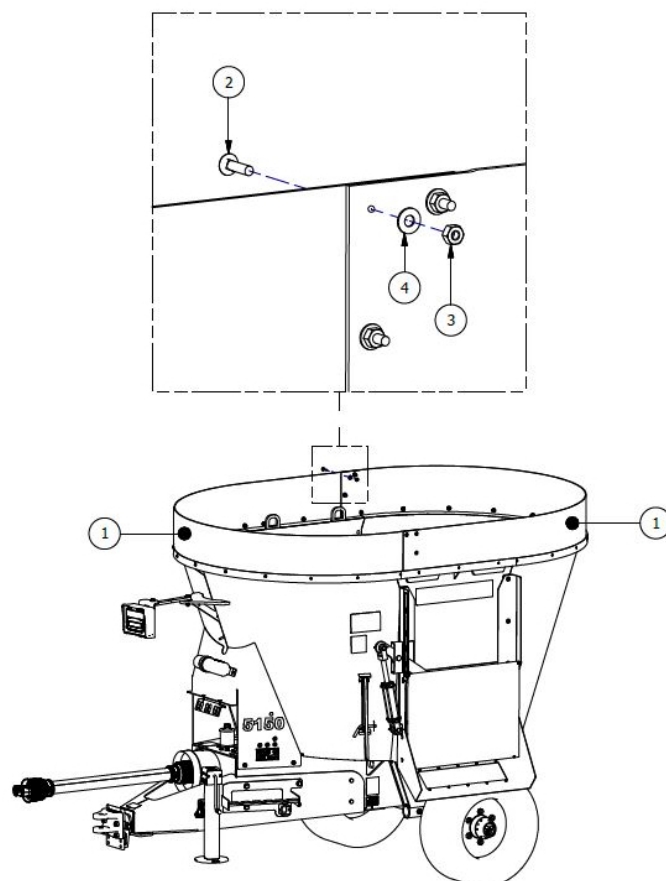


Pos	SKU	Description	Qty	Remark
1	AAA-006-00321	PLT MAGNET CHUTE BLANK 1/8T	1	
2	AAA-006-01178	C-SIDE CHUTE 1/8T (5150/5275)	1	
3	AAB-006-00035	MAGNET PLATE 25 X 8 X 1	1	
4	AAB-015-10054	BOLT HEX 5/16 X 3/4 UNC GRD 5	10	
5	AAB-015-10060	BOLT CARRIAGE 3/8 X 1-1/4 UNC GRD 2	4	
6	AAB-015-20017	NUT HEX 3/8 UNC GRD 2	4	
7	AAB-015-20020	NUT HEX 5/16 UNC GRD 2	10	
8	AAB-015-30012	WSHR FLAT 3/8 USS	4	
9	AAB-015-30016	WSHR LOCK 5/16	10	
10	AAB-015-30017	WSHR LOCK 3/8	4	
11	AAA-006-01179	C-SIDE CHUTE ASSY KIT (5150/5275)	1	
12	AAA-006-01180	C-SIDE MAGNET CHUTE ASSY KIT (5150/5275)	1	

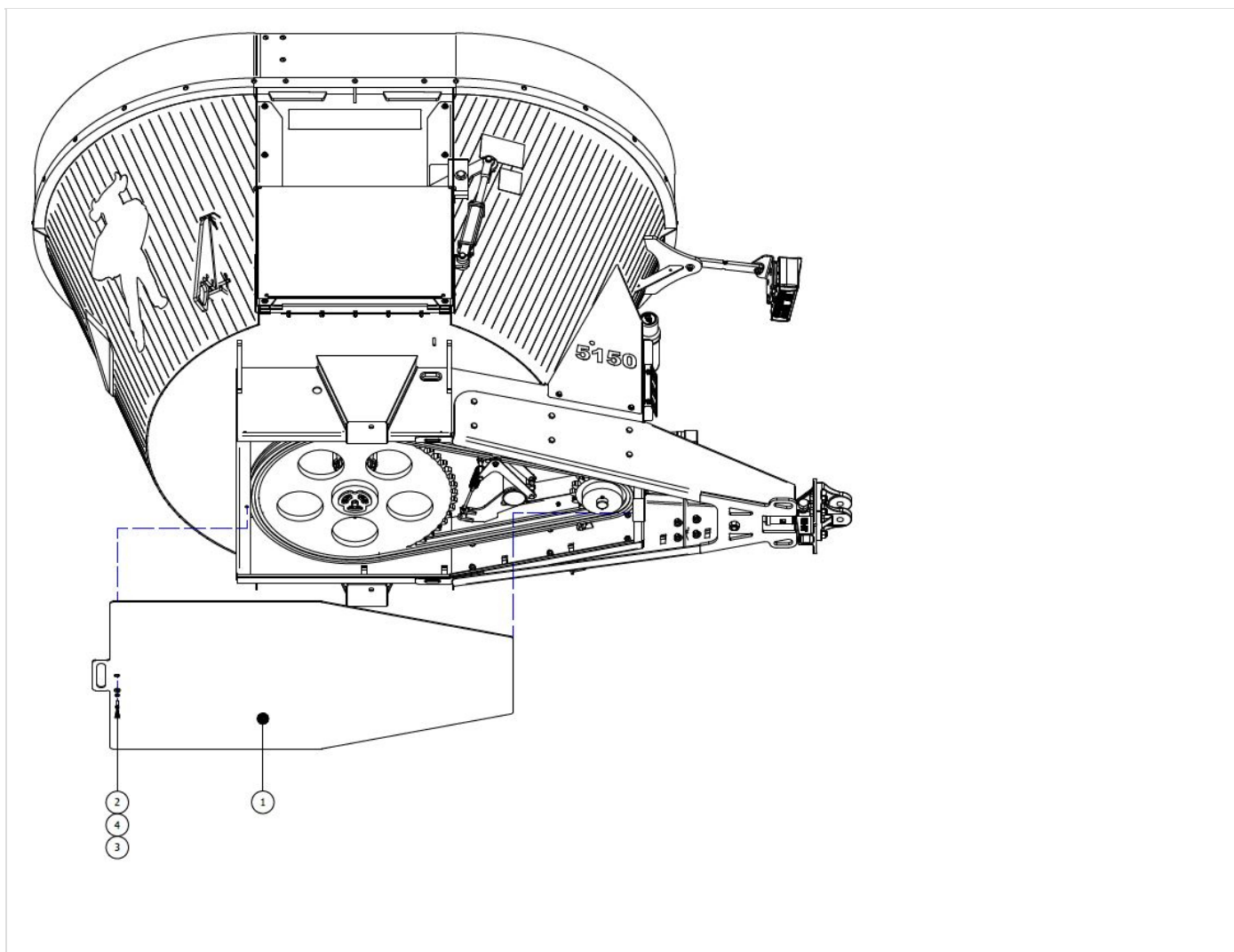
**NOTE:**

- PART QUANTITIES ARE PER DOOR
- RIGHT C-SIDE DOOR ILLUSTRATED
- RIGHT C-SIDE AND LEFT C-SIDE DOORS USE THE SAME HYDRAULIC PARTS

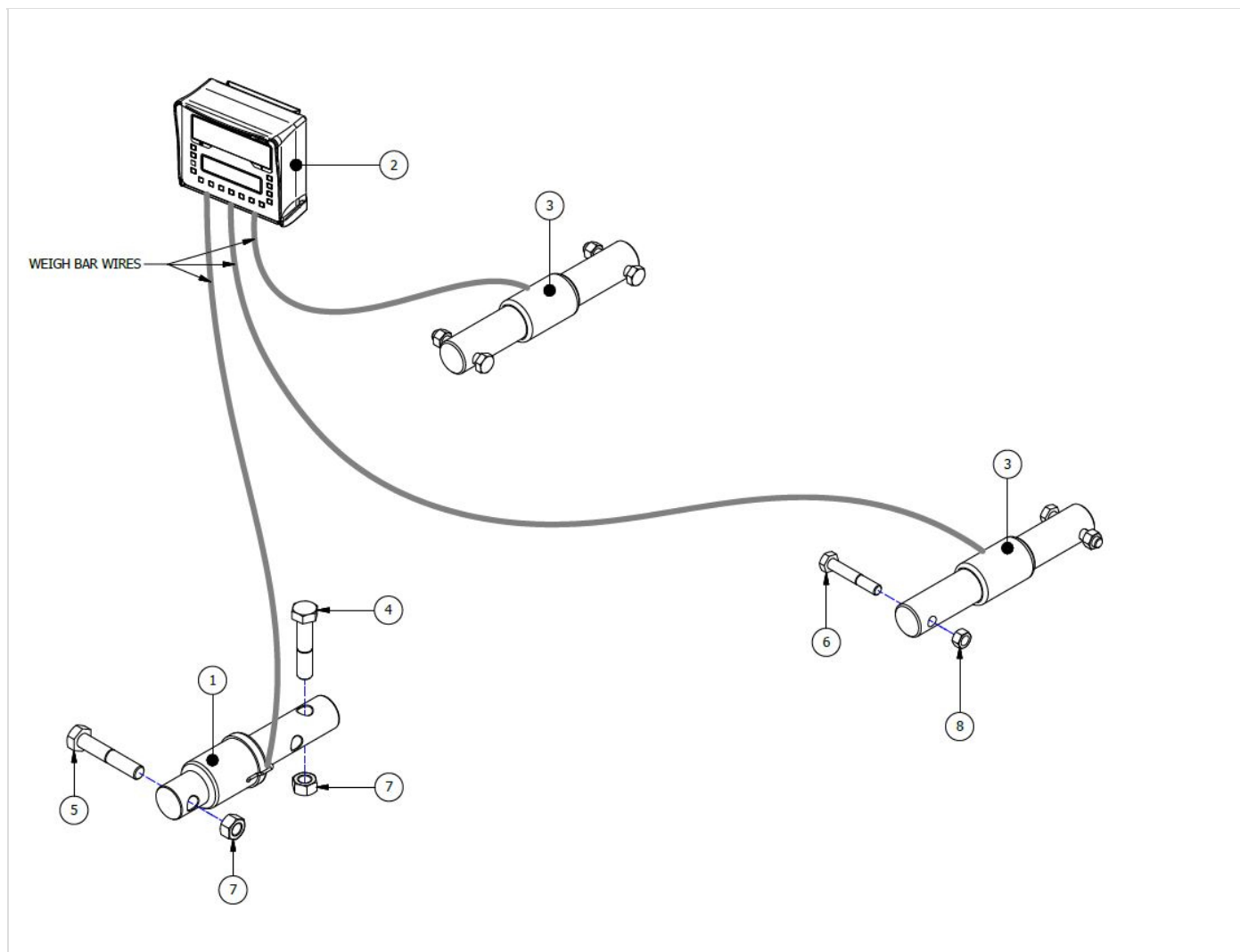
Pos	SKU	Description	Qty	Remark
1	AAA-009-00948	HOSE HYD 1/4DIA SINGLE BRAID 6 FJIC SWIVEL X 6 FJIC SWIVEL 170L	1	
2	AAA-009-00949	HOSE HYD 1/4DIA SINGLE BRAID 6 FJIC SWIVEL X 6 FJIC SWIVEL 159L	1	
3	AAB-009-00074	FIT ADPT 6 MJIC X 8 MORB	2	
4	AAB-009-00230	HYD CYDR 6 STROKE X 2DIA	1	
5	AAB-009-00322	FIT ADPT 8 MQDC X 8 FORB BALL STYLE	2	
6	AAB-009-00352	FIT 90DEG 6 MJIC X 8 MORB ADJ	2	



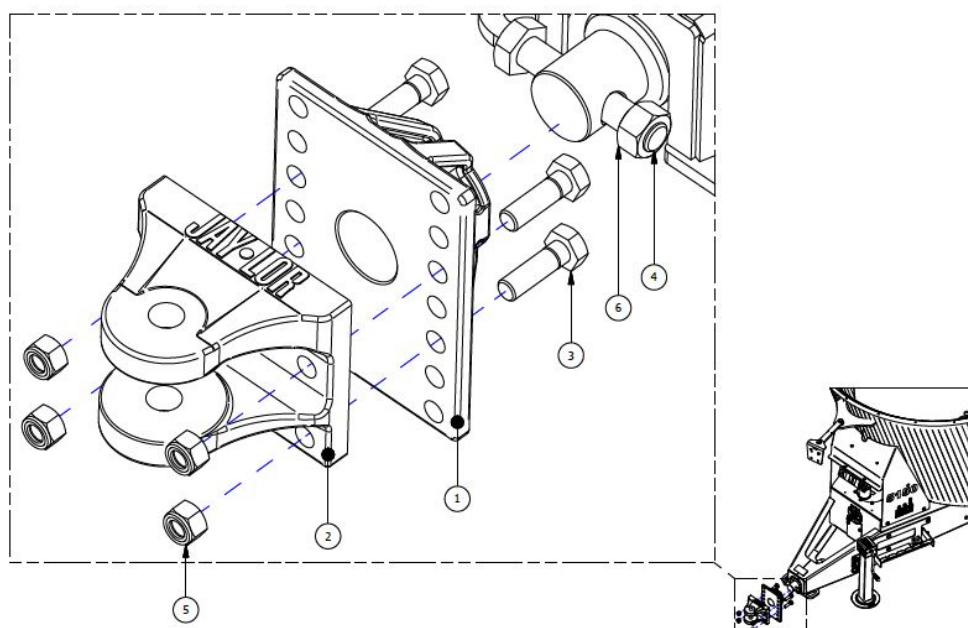
Pos	SKU	Description	Qty	Remark
7	AAB-001-00057	HDPE EXT BLACK/ UV STABILIZED/ 12H X 0.22T X 159L	2	
8	AAB-015-10061	BOLT CARRIAGE 3/8 X 1-1/2 UNC GRD 5	34	
9	AAB-015-20017	NUT HEX 3/8 UNC GRD 2	34	
10	AAB-015-30012	WSHR FLAT 3/8 USS	34	
11	AAA-001-02834	KIT SINGLE AUGER 5150 12" DRUM EXT. UV STABILIZED HDPE BLACK	1	NOT PICTURED



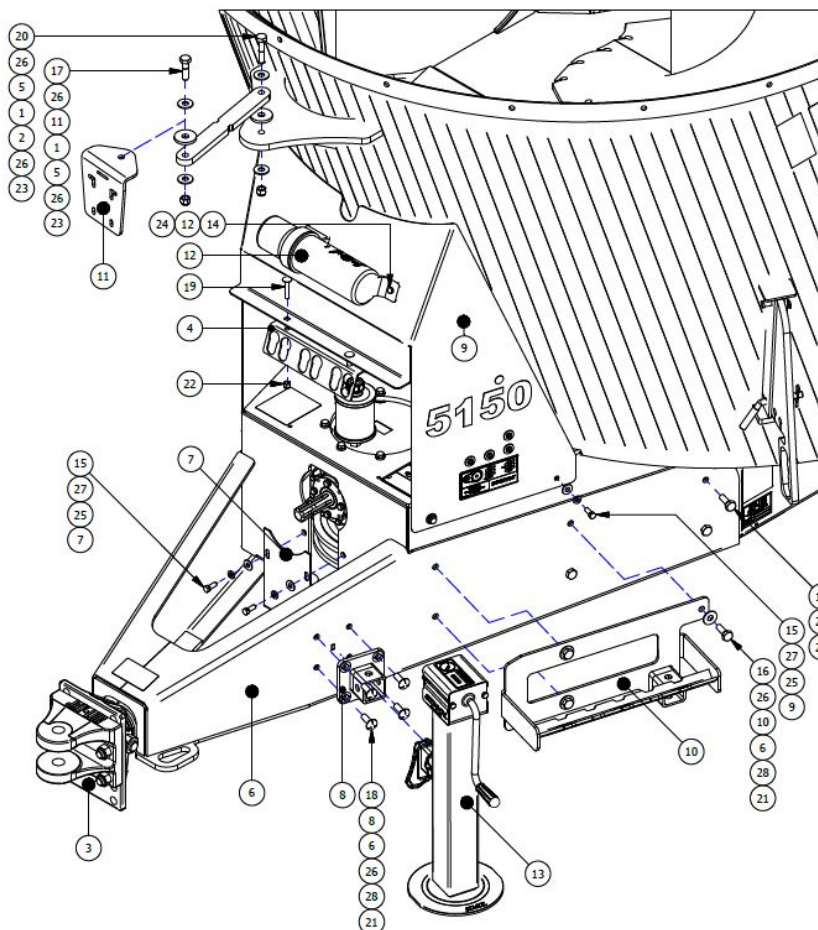
Pos	SKU	Description	Qty	Remark
1	AAB-002-00045	FRAME UNDERSHIELD FRT 1/4T (5275)	1	
2	AAB-015-10111	BOLT HEX 3/8 X 1-1/4 UNC GRD 5	1	
3	AAB-015-30012	WSHR FLAT 3/8 USS	1	
4	AAB-015-30017	WSHR LOCK 3/8	1	



Pos	SKU	Description	Qty	Remark
1	AAB-010-00194	DG WB 2-1/2DIA X 15-1/4L	1	
2	AAB-010-00413	DG500 INDICATOR	1	
3	AAB-010-00419	DG WB 2.5 DIA X 16.929 L	2	
4	AAB-015-10091	BOLT HEX 1 X 5 UNC GRD 8	1	
5	AAB-015-10136	BOLT HEX 1 X 5 1/2 UNC GRD 8	1	
6	AAB-015-10180	BOLT HEX 3/4 X 4-1/2 UNC GRD 8	4	
7	AAB-015-20021	NUT HEX 1" UNC GRD 8	2	
8	AAB-015-20023	NUT HEX 3/4 UNC GRD 5	4	

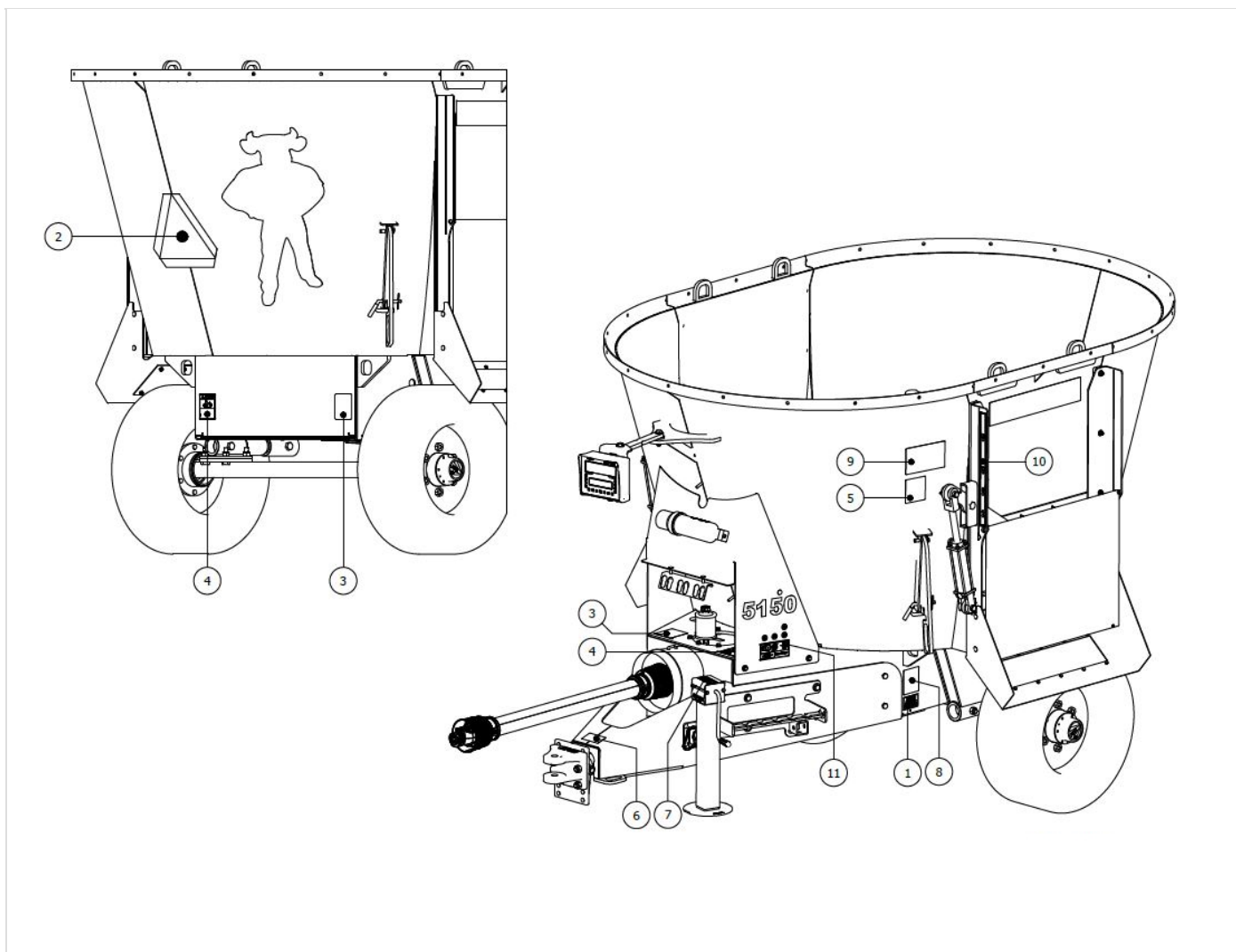


Pos	SKU	Description	Qty	Remark
1	AAB-002-00232-P3	CAST HTCH ADJUSTMENT PLATE 2.5DIA X 3.5OD X 3L (BLACK)	1	
2	AAB-002-00237-P3	CAST HTCH CLEVIS 7/8T (BLACK)	1	
3	AAB-015-10134	BOLT HEX 3/4 X 2-1/2 UNC GRD 8	4	
4	AAB-015-10136	BOLT HEX 1 X 5 1/2 UNC GRD 8	1	
5	AAB-015-20016	NUT HEX LOCK NYLON 3/4 UNC GRD 8	4	
6	AAB-015-20021	NUT HEX 1" UNC GRD 8	1	
7	AAA-002-00992	ADJUSTABLE CAST HITCH ASSY (4000/5000 SINGLES, 4650/4750, 5650/5750 & T-SERIES)	1	NOT PICTURED



Pos	SKU	Description	Qty	Remark
1	AAA-000-00059	WSHR URETHANE 2DIA	2	
2	AAA-001-02213	SCALE MNT BRKT 5/8T (5150/5275)	1	
3	AAA-002-00992	ADJUSTABLE CAST HITCH ASSY (4000/5000 SINGLES, 4650/4750, 5650/5750 & T-SERIES)	1	
4	AAA-002-00994-P3	HOSE CLAMP 1/8T (PAINTED)	1	
5	AAA-002-00995	SCALE HEAD SWING ARM 5/8T (PAINTED)	1	
6	AAA-002-02036	FRT A-FRAME WELDMENT (5275)	1	
7	AAA-002-02055	FRT FRAME COVER PLT 1/8T (5275)	1	
9	AAA-002-02126	HOOD 1/8T (5150) PAINTED	1	
10	AAA-003-00315	FRAME STEP & JACK HOLDER WELDMENT	1	
11	AAA-010-00048	SCALE HEAD MNT BRKT (PAINTED)	1	
12	AAB-002-00001	MANUAL HOLDER	1	
13	AAB-002-00663	SIMOL 4T JACK IMP ASSY W/OUTER SLV, PIN & CHAIN	1	
14	AAB-015-10036	BOLT HEX 5/16 X 1 UNC GRD 5	2	
15	AAB-015-10056	BOLT HEX 3/8 X 1 UNC GRD 2	6	
16	AAB-015-10063	BOLT HEX 1/2 X 1-1/2 UNC GRD 5	12	
17	AAB-015-10064	BOLT HEX 1/2 X 2 UNC GRD 5	1	

Pos	SKU	Description	Qty	Remark
18	AAB-015-10066	BOLT CARRIAGE 1/2 X 1-1/2 UNC GRD 5	4	
19	AAB-015-10081	BOLT CARRIAGE 3/8 X 2 UNC GRD 5	2	
20	AAB-015-10088	BOLT HEX 1/2 X 2-1/2 UNC GRD 5	1	
21	AAB-015-20011	NUT HEX 1/2 UNC GRD 5	16	
22	AAB-015-20012	NUT HEX 3/8 LOCK NYLON GRD 2	2	
23	AAB-015-20019	NUT NYLON LOCK 1/2 UNC GRD 5	2	
24	AAB-015-20035	NUT HEX 5/16-18 LOCK NYLON	2	
25	AAB-015-30012	WSHR FLAT 3/8 USS	6	
26	AAB-015-30013	WSHR FLAT 1/2 USS	11	
27	AAB-015-30017	WSHR LOCK 3/8	6	
28	AAB-015-30018	WSHR LOCK 1/2	16	



Pos	SKU	Description	Qty	Remark
1	AAB-012-00020	DECAL SERIAL NUMBER	1	
2	AAB-012-00021	DECAL SLOW MOVING VEHICLE	1	
3	AAB-012-00032	DECAL DANGER ROTATING DRVLN	2	
4	AAB-012-00033	DECAL WARNING ROTATING DRVLN HAZARD 540 RPM	2	
5	AAB-012-00036	DECAL WARNING HIGH PRESSURE FLUID HAZARD	2	
6	AAB-012-00038	DECAL CAUTION NOT FOR HIGHWAY TRAVEL	1	
7	AAB-012-00044	DECAL IMPORTANT GREASE	1	
8	AAB-012-00061	PATENTED DECAL 1200031	1	
9	AAB-012-00116	DECAL DANGER ROTATING AUGER PINCH POINT HAZARD	2	
10	AAB-012-00168	DECAL C-SIDE DOOR HEIGHT MARKER	2	
11	AAB-012-00178	DECAL CENTRAL GREASE 5150	1	