

Junction box CCAI series

EX
CODE



CE 0722 I M2 Ex d I Mb
 CE 0722 II 2 GD Ex d IIC T6, T5 Gb Ex tb IIIC T85°C, T100°C Db IP66
 CE 0722 I M2 Ex d [ia Ma] I Mb

CERTIFICATE



CESI 01 ATEX 034U (component)
 CESI 01 ATEX 035 (terminal box)
 CESI 01 ATEX 036 (control command and signalling units)
 CESI 03 ATEX 174 (interface units)



(IECEx TSA 06.0012 - AUSTRALIAN - GOST R)

DIRECTIVE

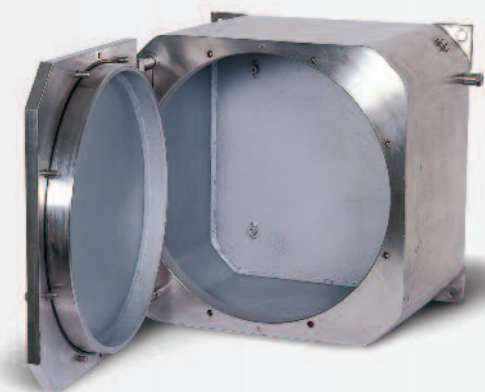
94/9/CE

STANDARDS

EN 60079-0 - EN 60079-1 - EN 60079-11 - EN 61241-0 - EN 61241-1 - EN 60079-26

INSTALLATION (according to EN 60079.14)

zone 0 - 1 - 2 - 21 - 22



FEATURES

CCAI series enclosures are used either as junction boxes with/without terminals or for installation of electrical equipment such as circuit breakers, signals, disconnectors, remote control switches, transformers, ballast etc... Their square shape without external flanges allows to built multiple panels placing side by side several enclosures on the same frame. The outcome is a compact switchrack certified for gases of IIC group. Both the wall and the cover can be drilled and threaded according to customers' specification.

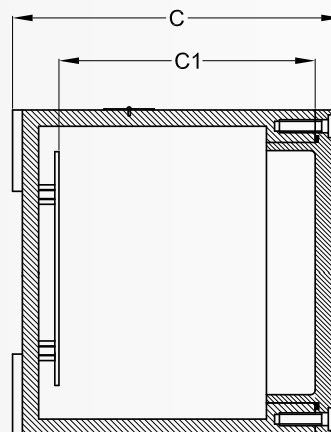
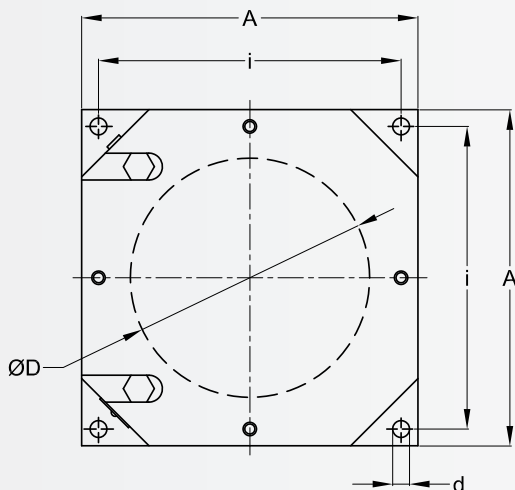
In accordance with rules, Cortem only can perform the drilling.

CONSTRUCTION

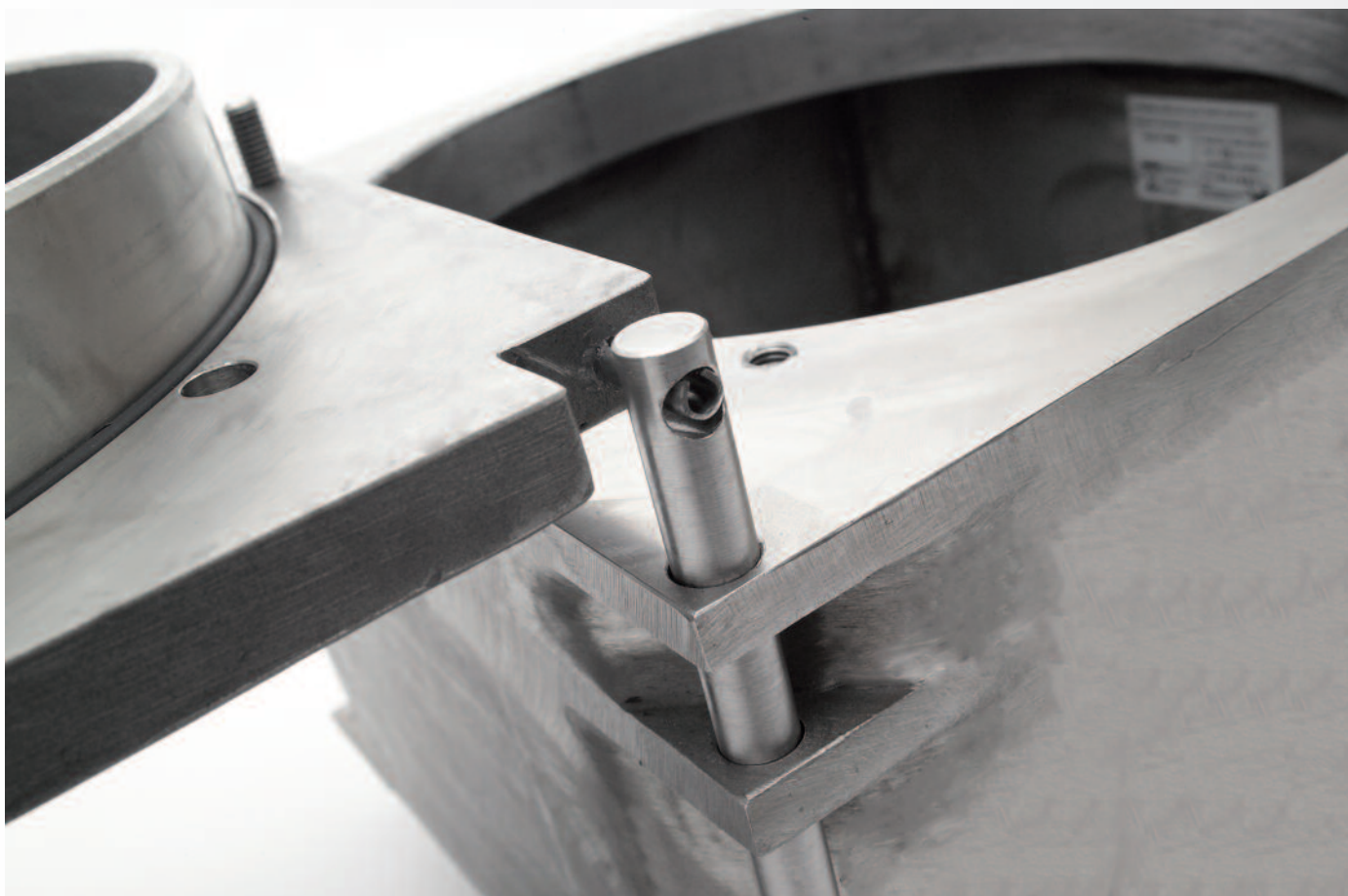
Body and cover in AISI 316L stainless steel.
 Internal/external stainless steel earth screws.
 Fixing lugs.
 Neoprene gasket.

ACCESSORIES UPON REQUEST

Mounting plate.
 Drain and breather valve.



Code	Outside dimensions		Inside dimensions		Fixing		Weight Kg	Price
	A	C	C1	ØD	i	Ød		
CCAI-2020	200	200	155	160	180	10	18,80	
CCAI-3020	300	200	155	260	280	10	38,80	
CCAI-3030	300	300	255	260	280	10	46,80	
CCAI-4030	400	300	255	360	380	12	71,00	



Junction box S...S series

EX
CODE



CE 0722 II 2 GD Ex d IIC T... - Ex tD A21 IP 66/67
 CE 0722 II 2 GD Ex e II T... - Ex tD A21 IP 66/67
 CE 0722 II 2 GD Ex i. IIC T... - Ex tD A21 IP 66/67
 CE 0722 II 2 (1 o 2) GD Ex d (i) IIC T... - Ex tD A21 IP 66/67

CERTIFICATE



CESI 02 ATEX 091 (terminal box)
 CESI 03 ATEX 059U (pulling box)



(AUSTRALIAN - GOST R)

DIRECTIVE

94/9/EC

STANDARDS

EN 60079-0 - EN 60079-1 - EN 60079-7 - EN 60079-11 - EN 61241-0 - EN 61241-1

INSTALLATION (according to EN 60079.14)

zone 1 - 2 - 21 - 22



FEATURES

S...S series junction boxes are suitable for installation along pipe courses as junction boxes and distribution boxes for conductors. Several models are available, in relation to size and to hubs number.

They can be supplied as pulling boxes or as terminal boxes with multipolar terminal blocks or with modular terminal blocks.

CONSTRUCTION

Body and cover in AISI 316L stainless steel.

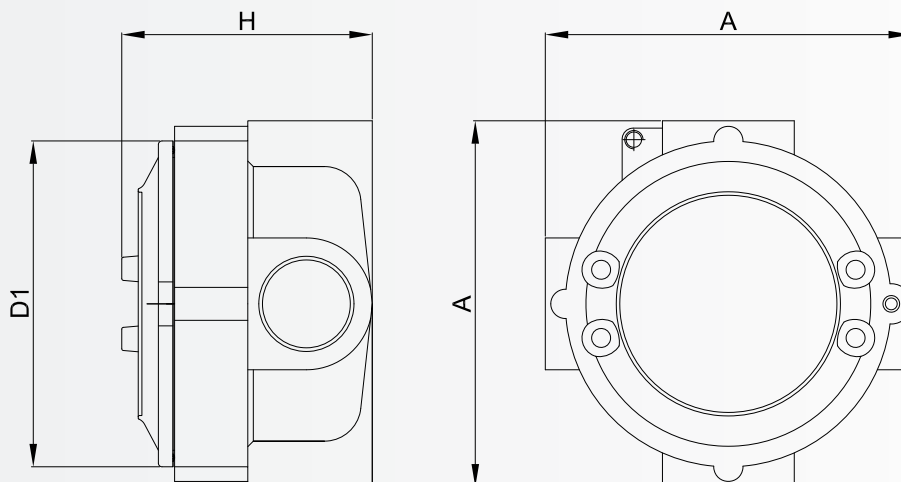
Stainless steel screws.

ISO 7/1 thread.

Neoprene gasket.








ACCESSORIES UPON REQUEST

Other threads.



Code	Dimensions			Hubs Ø	Weight Kg	Price
	A	D1	H			
SC-14.1S	72	65	61	2 x 1/2"	0,90	
SC-24.1S	72	65	61	2 x 3/4"	0,90	
SC-16.1S	100	89	67	2 x 1/2"	1,40	
SC-26.1S	100	89	67	2 x 3/4"	1,40	
SC-36.1S	100	89	75	2 x 1"	1,40	
SC-29.1S	190	146	105	2 x 3/4"	4,80	
SC-39.1S	190	146	105	2 x 1"	4,80	
SC-59.1S	190	146	105	2 x 1 1/2"	4,80	
SC-69.1S	190	146	110	2 x 2"	4,80	
SL-14.1S	72	65	61	2 x 1/2"	0,90	
SL-24.1S	72	65	61	2 x 3/4"	0,90	
SL-16.1S	100	89	67	2 x 1/2"	1,40	
SL-26.1S	100	89	67	2 x 3/4"	1,40	
SL-36.1S	100	89	75	2 x 1"	1,40	
SL-29.1S	166	146	105	2 x 3/4"	4,80	
SL-39.1S	166	146	105	2 x 1"	4,80	
SL-59.1S	166	146	105	2 x 1 1/2"	4,80	
SL-69.1S	166	146	110	2 x 2"	4,80	
ST-14.1S	72	65	61	3 x 1/2"	0,90	
ST-24.1S	72	65	61	3 x 3/4"	0,90	
ST-16.1S	100	89	67	3 x 1/2"	1,40	
ST-26.1S	100	89	67	3 x 3/4"	1,40	
ST-36.1S	100	89	75	3 x 1"	1,40	
ST-29.1S	190	146	105	3 x 3/4"	4,80	
ST-39.1S	190	146	105	3 x 1"	4,80	
ST-59.1S	190	146	105	3 x 1 1/2"	4,80	
ST-69.1S	190	146	110	3 x 2"	4,80	
SX-14.1S	72	65	61	4 x 1/2"	0,90	
SX-24.1S	72	65	61	4 x 3/4"	0,90	
SX-16.1S	100	89	67	4 x 1/2"	1,40	
SX-26.1S	100	89	67	4 x 3/4"	1,40	
SX-36.1S	150	89	75	4 x 1"	1,40	
SX-29.1S	190	146	105	4 x 3/4"	4,80	
SX-39.1S	190	146	105	4 x 1"	4,80	
SX-59.1S	190	146	105	4 x 1 1/2"	4,80	
SX-69.1S	190	146	110	4 x 2"	4,80	

Junction box SF...S, SSC...S series

EX CODE		<p>CE 0722  II 2 GD Ex d IIC T... - Ex tD A21 IP 66/67</p> <p>CE 0722  II 2 GD Ex e II T... - Ex tD A21 IP 66/67</p> <p>CE 0722  II 2 GD Ex i. IIC T... - Ex tD A21 IP 66/67</p> <p>CE 0722  II 2 (1 o 2) GD Ex d (i) IIC T... - Ex tD A21 IP 66/67</p>
CERTIFICATE		<p>CESI 02 ATEX 091 (terminal box)</p> <p>CESI 03 ATEX 059U (pulling box)</p>
		(AUSTRALIAN - GOST R)
DIRECTIVE	94/9/EC	
STANDARDS	EN 60079-0 - EN 60079-1 - EN 60079-7 - EN 60079-11 - EN 61241-0 - EN 61241-1	
INSTALLATION (according to EN 60079.14)	zone 1 - 2 - 21 - 22	



FEATURES

SF...S series junction boxes (with wall mounting bracket) and SSC...S (with ceiling mounting bracket) are suitable for installation along pipe course as junction boxes and distribution boxes for conductors.

Several models are available and they can be supplied with multipolar terminal blocks or with modular terminal blocks.

CONSTRUCTION

Body and cover in AISI 316L stainless steel.

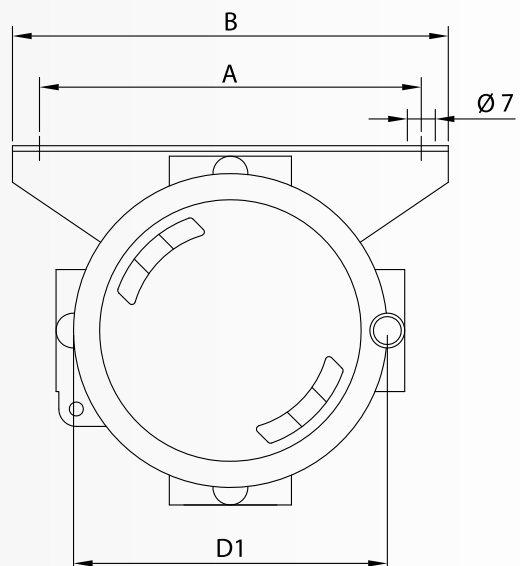
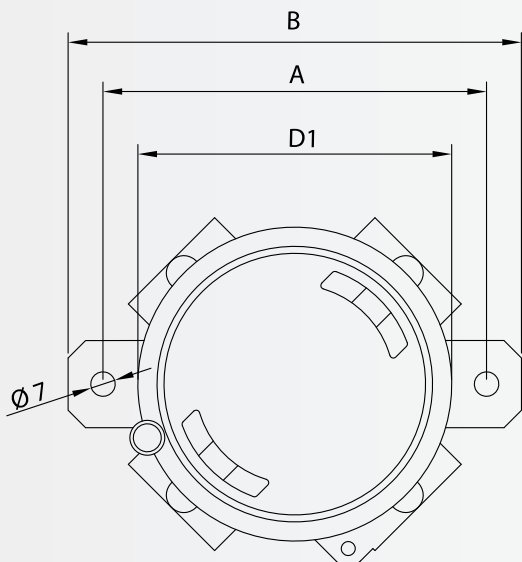
Stainless steel screws.

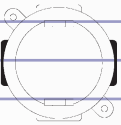
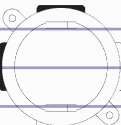
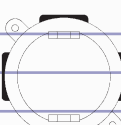

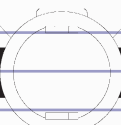
ISO 7/1 thread.

Neoprene gasket.

ACCESSORIES UPON REQUEST

Other threads.



Code	Dimensions			Hubs Ø	Weight Kg	Price
	D1	A	B			
SFC-14.1S	65	75	90	2 x 1/2"	1,30	
SFC-24.1S	65	75	90	2 x 3/4"	1,30	
SFC-16.1S	89	110	130	2 x 1/2"	1,90	
SFC-26.1S	89	110	130	2 x 3/4"	1,90	
SFC-36.1S	89	110	130	2 x 1"	1,90	
SFC-29.1S	146	160	180	2 x 3/4"	5,60	
SFC-39.1S	146	160	180	2 x 1"	5,60	
SFC-59.1S	146	160	180	2 x 1 1/2"	5,60	
SFC-69.1S	146	160	180	1 x 2"	5,60	
SFL-14.1S	65	75	90	2 x 1/2"	1,30	
SFL-24.1S	65	75	90	2 x 3/4"	1,30	
SFL-16.1S	89	110	130	2 x 1/2"	1,90	
SFL-26.1S	89	110	130	2 x 3/4"	1,90	
SFL-36.1S	89	110	130	2 x 1"	1,90	
SFL-29.1S	146	160	180	2 x 3/4"	5,60	
SFL-39.1S	146	160	180	2 x 1"	5,60	
SFL-59.1S	146	160	180	2 x 1 1/2"	5,60	
SFL-69.1S	146	160	180	2 x 2"	5,60	
SFT-14.1S	65	75	90	3 x 1/2"	1,30	
SFT-24.1S	65	75	90	3 x 3/4"	1,30	
SFT-16.1S	89	110	130	3 x 1/2"	1,90	
SFT-26.1S	89	110	130	3 x 3/4"	1,90	
SFT-36.1S	89	110	130	3 x 1"	1,90	
SFT-29.1S	146	160	180	3 x 3/4"	5,60	
SFT-39.1S	146	160	180	3 x 1"	5,60	
SFT-59.1S	146	160	180	3 x 1 1/2"	5,60	
SFT-69.1S	146	160	180	2 x 2"	5,60	
SFX-14.1S	65	75	90	4 x 1/2"	1,30	
SFX-24.1S	65	75	90	4 x 3/4"	1,30	
SFX-16.1S	89	110	130	4 x 1/2"	1,90	
SFX-26.1S	89	110	130	4 x 3/4"	1,90	
SFX-36.1S	89	110	130	4 x 1"	1,90	
SFX-29.1S	146	160	180	4 x 3/4"	5,60	
SFX-39.1S	146	160	180	4 x 1"	5,60	
SFX-59.1S	146	160	180	4 x 1 1/2"	5,60	
SFX-69.1S	146	160	180	4 x 2"	5,60	
SSC-14.1S	65	65	80	3 x 1/2"	1,60	
SSC-24.1S	65	65	80	3 x 3/4"	1,60	
SSC-16.1S	89	110	125	3 x 1/2"	2,40	
SSC-26.1S	89	110	125	3 x 3/4"	2,40	
SSC-36.1S	89	110	125	3 x 1"	2,40	
SSC-29.1S	146	130	150	3 x 3/4"	6,30	
SSC-39.1S	146	130	150	3 x 1"	6,30	
SSC-59.1S	146	130	150	3 x 1 1/2"	6,30	
SSC-69.1S	146	130	150	2 x 2"	6,30	