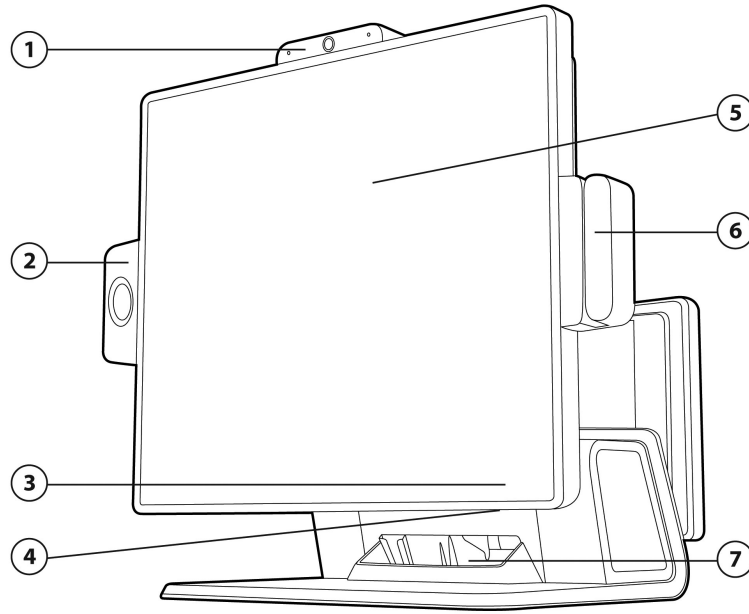


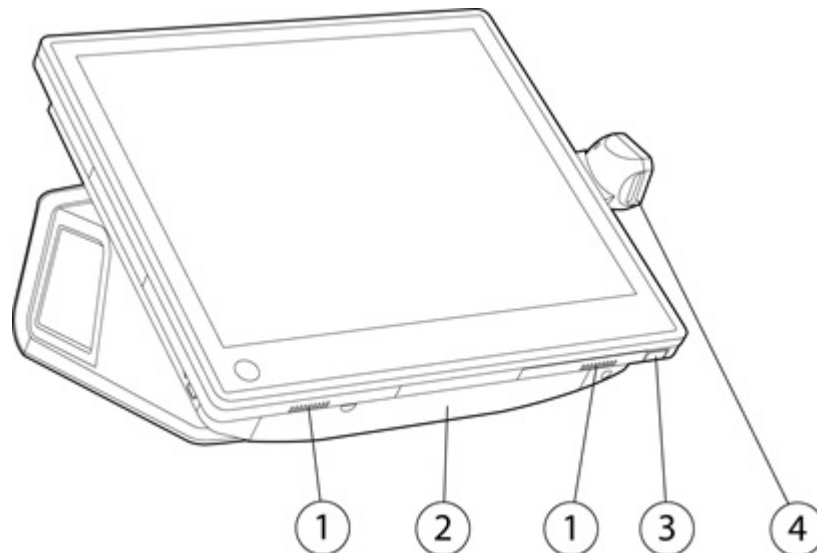
Overview

FRONT VIEW



1. Optional HP Retail Integrated Webcam
2. Optional HP Retail Integrated Fingerprint Reader
3. On-screen display buttons
4. Recessed Power button
5. Touchscreen Assembly
6. Optional HP Retail Integrated Dual-Head MSR
7. Cable pass-through channel

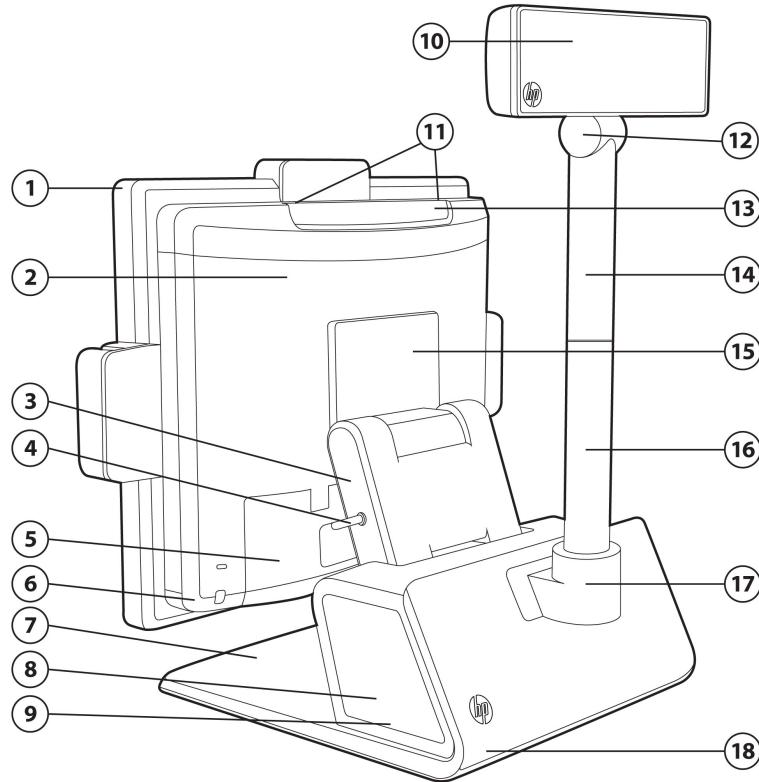
FRONT VIEW tilt position, showing speakers



Overview

1. Speakers (1W each)
2. I/O Panel Cover
3. Recessed Power Button
4. HP Retail Integrated Barcode Scanner

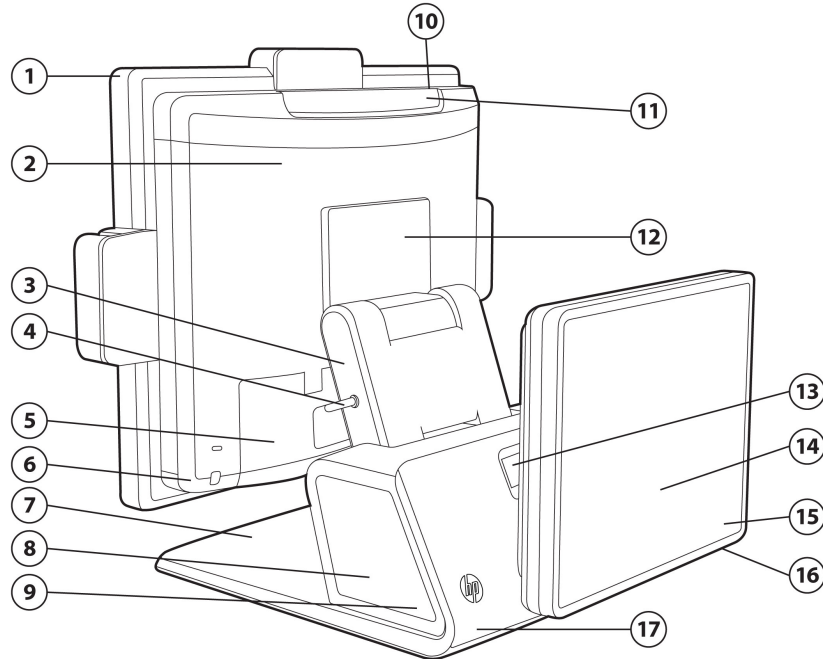
REAR VIEW of Model 7100 with 2-Line Display - VFD (Vacuum Florescent Display)



- | | |
|---|--|
| 1. Operator display | 10. 2-Line VFD (Vacuum Florescent Display) |
| 2. Rear cover | 11. DIMM Security Screw |
| 3. Dual hinge | 12. VFD Hinge |
| 4. Cable-management retainer | 13. Decorative panel |
| 5. I/O Cover | 14. VFD Pole (Section 2) |
| 6. Kensington lock & padlock loop | 15. 100mm VESA Mount (Wall Mountable) |
| 7. Base & keyboard tray | 16. VFD Pole (Section 1) |
| 8. Power supply cover (180W EPS inside) | 17. VFD Mount |
| 9. "Bolt-to-counter" feature | 18. Decorative panel |

REAR VIEW with Customer-Facing Display Model 7100

Overview



1. Operator display
2. Aluminum rear cover
3. Dual hinge
4. Cable retainer
5. I/O cover
6. Kensington lock & padlock loop
7. Base & keyboard tray
8. Power supply cover(180W EPS inside)
9. "Bolt-to-counter" feature
10. DIMM Security Screw (underneath decorative panel)
11. Decorative panel
12. 100 mm VESA mount (wall mountable)
13. Customer-facing display hinge
14. Customer-facing display
15. On-screen display buttons
16. Customer-facing display power button
17. Decorative panel

At A Glance

- Designed for long-term deployment within hospitality and retail markets
- Choice of operator display:
 - 15" 5-Wire Resistive Touchscreen
 - 15" Flush-Glass, Projective Capacitive Touchscreen
 - 17" Flush-Glass, Projective Capacitive Touchscreen
- Processor choices:
 - Intel® Celeron 807UE (1 GHz, 1 core) with Intel® HD Graphics
- Operating System choices:
 - Windows® 7 Professional (32-bit or 64-bit) (Preinstalled)
 - Windows® Embedded POSReady 7 (32-bit or 64-bit) (Preinstalled)
 - Windows® Embedded POSReady 2009 (Preinstalled)
 - FreeDOS 2.0 (Preinstalled)
 - Novell® SUSE Linux Enterprise Desktop† (Certified)
- Integrated peripheral options (can also be purchased and installed separately):
 - HP Retail Integrated Dual-Head MSR
 - HP Retail Integrated Fingerprint Reader
 - HP Retail Integrated Webcam

Overview

- HP Retail Integrated Barcode Scanner
- Customer-facing 2 line VFD (Vacuum Fluorescent Display)
- Customer-facing 10.4" CFD Display
- Industry-standard 100mm VESA mounting pattern allows for flexible use without the optional stand (HP RP7 Adjustable Stand)
- 1 DDR3 Memory Slots (8 GB Maximum)
- Gigabit NIC
- Trusted Platform Module (TPM)
- Cable Management Features
- Energy Star® 5 qualified, EU Compliant, RoHS2 Compliant
- 87% energy efficient power supply (enclosed in stand)
- HP Limited Warranty, 3/3/3 standard: 3 years parts, 3 years labor, and 3 years on-site services

NOTE: All models and features may not be available in all countries.

RP7 Model 7100

Operator Display

- 15" 5-Wire Resistive Touchscreen
- 15" Flush-Glass, Projected Capacitive Touchscreen
- 17" Flush-Glass, Projected Capacitive Touchscreen

Processor

- Intel Celeron 807UE (1 GHZ, 1 core) with Intel® HD Graphics

Operating Systems

- Windows 7 Professional 32-bit
- Windows 7 Professional 64-bit
- Windows Embedded POSReady 7 32-bit
- Windows Embedded POSReady 7 64-bit
- Windows Embedded POSReady 2009
- FreeDOS

For all Preinstalled operating systems HP provides Microsoft WHQL certified (where applicable) drivers on www.hp.com at the time of product announcement.

Limited Support Windows XP Professional (32-bit)

For all Limited Support operating systems HP will make available on www.hp.com certified drivers for major subsystems, if not provided by the operating system, within 30 days of product announcement. HP performs functional testing on representative configurations. Some newer technologies may not be supported. HP value added software and 3rd party applications (i.e., DVD players) are not supported.

Certified Novell SUSE Linux Enterprise Desktop†

For all Certified operating systems HP will submit hardware to the operating system vendor for testing and certification. All drivers would be obtained from the operating system vendor, not supplied by HP. Certification will be posted by the operating system vendor.

† The following features are not supported by Novell SUSE Linux Enterprise Desktop:

- Broadcom Gigabit CT Desktop NIC
- Broadcom NetXtreme Gigabit Ethernet Plus
- HP ProtectTools
- DisplayPort video interface
- HP 2nd serial port adapter
- Power Management features
- Systems configured with Linux do not qualify for ENERGY STAR®

Overview

Integrated peripheral options

(can also be purchased and installed separately)

- HP Retail Integrated Dual-Head MSR
- HP Retail Integrated Fingerprint Reader
- HP Retail Integrated Webcam
- HP Retail Integrated Barcode Scanner
- Customer-facing 2 line VFD (Vacuum Fluorescent Display)
- Customer-facing 10.4" LCD Display

Additional Features

- Industry-standard 100mm VESA mounting pattern allows for flexible use without the optional stand (HP RP7 Adjustable Stand)
- 1 DDR3 Memory Slot (8 GB Maximum)
- Gigabit NIC
- Trusted Platform Module (TPM)
- Hard Drive and Solid-State Drive Options
- Solid-State Drive Options
- Cable Management Features
- ENERGY STAR® 5 qualified, EU Compliant, RoHS2 Compliant
- 87% energy efficient power supply (enclosed in stand)
- HP Limited Warranty, 3/3/3 standard: 3 years parts, 3 years labor, and 3 years on-site services
- IP 54 rating (Ingress Protection rating) certifies that the RP7 Retail System Model 7100 is designed so that dust or splashed water will not interfere with the operation of the system

Standard and Configurable Components

CHIPSET

HM65 Chipset

GRAPHICS

Intel® HD Graphics

OPERATOR DISPLAY

15" Resistive Operator Display

| | |
|---------------------------|---------------------------------------|
| Touch Technology | 5-wire Resistive |
| Resolution | 1024 x 768 |
| Aspect Ratio | 4:3 |
| Max Color | 16.7M |
| Contrast Ratio | 700:1 |
| Brightness | 350 cd/m ² |
| Pixel Pitch | 0.297mm x 0.297mm |
| Viewing Angle | 160° horizontally and 140° vertically |
| Response rate | 25ms on/off |
| Default Color Temperature | 6500 K |
| Anti-Glare Hardness | >8H |
| Color Gamut | 52% |
| Backlight | LED |

15" Projective Capacitive Operator Display

| | |
|---------------------------|---------------------------------------|
| Touch Technology | Flush-Glass Projected Capacitive |
| Resolution | 1024 x 768 |
| Aspect Ratio | 4:3 |
| Max Color | 16.7M |
| Contrast Ratio | 700:1 |
| Brightness | 350 cd/m ² |
| Pixel Pitch | 0.297mm x 0.297mm |
| Viewing Angle | 160° horizontally and 140° vertically |
| Response rate | 25ms on/off |
| Default Color Temperature | 6500° K |
| Anti-Glare Hardness | >8H |
| Color Gamut | 52% |
| Backlight | LED |

17" Projective Capacitive Operator Display

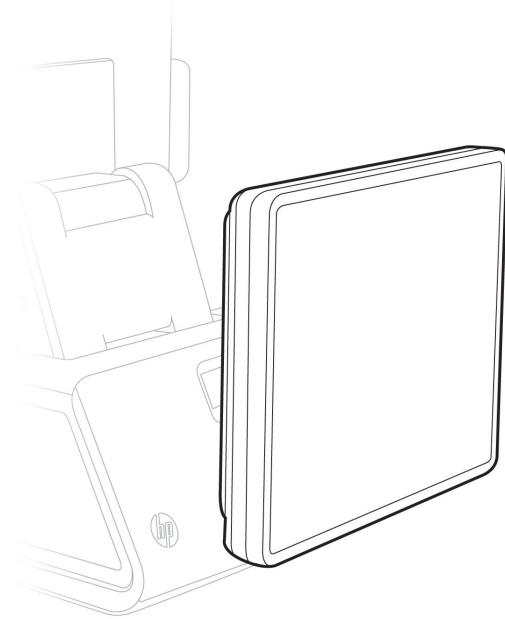
| | |
|------------------|----------------------------------|
| Touch Technology | Flush-Glass Projected Capacitive |
|------------------|----------------------------------|

Standard and Configurable Components

| | |
|---------------------------|---------------------------------------|
| Resolution | 1280 x 1024 |
| Aspect Ratio | 5:4 |
| Max Color | 16.7M |
| Contrast Ratio | 800:1 |
| Brightness | 225 cd/m ² |
| Pixel Pitch | 0.264mm x 0.264mm |
| Viewing Angle | 170° horizontally and 160° vertically |
| Response rate | 20m on/off |
| Default Color Temperature | 6500 K |
| Anti-Glare Hardness | >8H |
| Color Gamut | 68% |
| Backlight | LED |

INTEGRATED PERIPHERAL OPTIONS

HP RP7 10.4-inch Customer Display Option



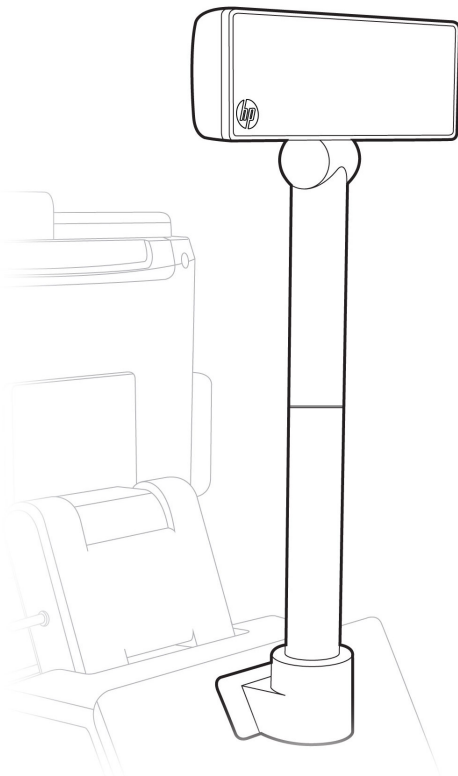
QZ702AA/B0T22AV

| | |
|------------------|---------------|
| Touch Technology | Not supported |
| Resolution | 1024 x 768 |
| Aspect Ratio | 4:3 |
| Max Color | 16.2M |

Standard and Configurable Components

| | |
|------------------------------|---|
| Contrast Ratio | 1000:1 |
| Brightness | 300 cd/m ² |
| Pixel Pitch | 0.0685(H) x 0.2055(V) |
| Viewing Angle (of LCD Panel) | 170° horizontally and 160° vertically |
| Tilt Adjustment (of display) | -5deg to + 45deg |
| Response rate | 25ms (rise+fall time) |
| Default Color Temperature | 6500° K |
| Anti-Glare Hardness | >8H |
| Color Gamut | 57% |
| Backlight | LED |
| Video Interface | DVI-D |
| Dimensions | 25.4 x 4.1 x 20.8 (head unit only) |
| Weight | 1.2kg (head unit only) |
| Power | DC (powered from a DC-Out port on the RP7 terminal) |
| Audio | Integrated speakers (connected through line-out on RP7 terminal) |
| Two Optional Stands | HP RP7 Adjustable Stand (AQ703AA/BOT02AV) HP RP7 Value Stand (E5E14AA/E3A13AV) |

HP RP7 2-Line VFD (Vacuum Florescent Display) **Customer Display Option** **QZ701AA/BOT26AV**



Standard and Configurable Components

| | |
|-------------------------------|---|
| Display Type | Vacuum Fluorescent Display, Blue Green |
| Brightness | 350 - 700 cd/m ² |
| Character Number | 2 x 20 |
| Character Support | Complex Characters and Graphics |
| Character Font | 20 x 2 for 16 x 16 font 10 x 1 for 32 x 32 font 320 x 32 for graphics |
| Character Size | 5.5(W) x 10.5(H) mm |
| Emulation Modes | ICD-2002, EPSON POS D101, Aedex, UTC/S, UTC/P, ADM788, DSP800, CD5220 |
| Supported Code Pages | Bosnian (852), Croatian (852), Czech (1252), Danish (1252), Dutch (1252), English (US) (437), Estonian (1257), Faroese (1252), Finnish (1252), Flemish (1252), French (1252), German (1252), Greek (1253), Hebrew (1255), Hungarian (852), Icelandic (1252), Indonesian (1252), International English (1252), Italian (1252), Japanese (Shift-JIS), Latvian (1257), Lithuanian (1257), Norwegian (865), Polish (852), Slavonic/Russian (866), Slovak (852), Slovene (852), Spanish (1252), Swedish (1252), Thai (874) |
| Horizontal Rotation | 180° |
| Height Adjustment | (through two included pole extension options) |
| Tilt Adjustment | -5° to 60° |
| Interface/Connection | USB+PWR 12V (connects to the RP7 I/O panel) |
| Mechanical Dimensions (LxWxH) | 226 x 40.05 x 72 mm |
| Power Voltage (typical) | 12V nominal |
| Drivers | OPOS, JPOS |

HP RP7 Adjustable Stand QZ703AA /B0T02AV

Stand can be pre-configured with the HP RP7 Retail System or purchased and installed separately. The stand connects to the terminal through an industry-standard 100mm VESA pattern and conceals the sealed power supply for the RP7. The dual-hinge mechanism allows for a broad range of user adjustability and allows the terminal to be used in an upright or a low-profile, reclining position. The built-in cable-management features provide for a clean terminal installation and bolt-down capabilities allow the terminal to be secured to the counter.

HP RP7 Value Stand E3A13AV /E5E14AA

A budget-friendly stand that's ideal for tight spaces. The single-hinge fixed height design delivers -5° to +30° adjustable tilt range for easy positioning. With a smaller footprint than the performance stand, it fits easily into small work environments such as kiosks, corners, and tight hospitality countertops and sits neatly on top of HP RPOS Cash Drawers. A printer and keyboard can be positioned on the stand along with the HP RP7 for a tidy solution that maximizes the available space.

Standard and Configurable Components

HP Retail Integrated Dual-Head MSR

QZ673AA/BOT12AV

| | | |
|------------------------------|--|--|
| General | Magnetic stripe formats | ISO 7811 (JIS I), AAMVA |
| | Card thickness | 0.015 to 0.045 in (0.38 to 1.14 mm) |
| | Indicators | |
| Mechanical | Dimensions (LxWxH) | 3.94in x 3.06in x 1.34in (99.98mm x 77.8mm x 34mm) |
| | Weight | 4.06 oz (115g) |
| | Slot width | 0.45 in (0.114 cm) |
| | Color | HP Black |
| Interface/ Connection | Interface | USB 2.0 |
| | Connection | Type A |
| Power | Voltage (typical) | 5.0V +/- 5% supplied by USB, 50mV ripple max |
| | Current consumption (typical) | 40mA max |
| | Drivers | Windows Native, OPOS, JPOS |
| Operating Systems | Compatibility | Microsoft Windows 7 Professional 32-bit |
| | | Microsoft Windows 7 Professional 64-bit |
| | | Microsoft Windows Embedded POSReady 2009 |
| | | Microsoft Windows Embedded POSReady 7 32-bit |
| | | Microsoft Windows Embedded POSReady 7 64-bit |
| Option Kit Contents | HP Retail Integrated Dual-Head MSR, HP Point of Sale System Software and Documentation CD. | |

HP Retail Integrated Fingerprint Reader

QZ672AA/BOT13AV

| | | |
|------------------------------|------------------------------------|--|
| General | Scan Data | 8-bit grayscale (256 levels of gray) |
| | Pixel resolution | 512 dpi (average x,y over the scan area) |
| | Scan capture area | 14.6 mm (nom. width at center) 18.1 mm (nom. length) |
| Mechanical | Dimensions (L x W x H) | 3.94in x 3.06in x 1.34in (99.98mm x 77.8mm x 34mm) |
| | Weight | 3.39 oz (96 g) |
| | Color | HP Black |
| Interface/ Connection | Interface | USB 2.0 |
| Power | Supply Voltage | 5.0V ±5% supplied by USB |
| | Supply Current scanning | < 100 mA (Typical) |
| | Supply Current idle mode 1 | 20 mA (Typical) |
| | Supply Current-suspend mode | < 0.5 mA (Maximum) |

Standard and Configurable Components

| | | |
|----------------------------|--|---|
| Environmental | Temperature | Operating 0° - 40° C |
| | Humidity | Operating 20% - 80% non-condensing |
| Drivers | | Windows Native |
| Operating Systems | Compatibility | Microsoft Windows 7 Professional 32-bit Microsoft Windows 7 Professional 64-bit Microsoft Windows Embedded POSReady 2009 Microsoft Windows Embedded POSReady 7 32-bit Microsoft Windows Embedded POSReady 7 64-bit Microsoft Windows XP Professional |
| Option Kit Contents | HP Retail Integrated Fingerprint Reader (available soon), HP Point of Sale System Software and Documentation CD. | |

HP Retail Integrated Webcam QZ700AA/B0T03AV

| | | |
|------------------------------|---|---|
| General | CMOS Sensor | OV9726 |
| | Resolution | HD: 1280x720 |
| | Image Control | Automatic Exposure, Automatic White Balance, Automatic Gain |
| | Field of View | 74.9° |
| | Focus Distance | 19.69 in (500 mm) |
| | Focus Range | 20.5cm ~ infinity |
| | Microphone | Yes (2, Stereo) |
| Mechanical | Dimensions (LxWxH) | 3.94in x 1.77in x 1.34in (100mm x 44.9mm x 34mm) |
| | Weight | 2.05 oz (58g) |
| | Color | HP Black |
| Interface/ Connection | Interface | USB 2.0 |
| Power | Voltage (typical) | 3.3V (5V to 3.3V conversion board inside Webcam module to make it USB compatible) |
| | Current consumption (typical) | 150mA |
| Drivers | | Windows Native |
| Operating Systems | Compatibility | Microsoft Windows 7 Professional 32-bit Microsoft Windows 7 Professional 64-bit Microsoft Windows Embedded POSReady 2009 Microsoft Windows Embedded POSReady 7 32-bit Microsoft Windows Embedded POSReady 7 64-bit Microsoft Windows XP Professional |
| Option Kit Contents | HP Retail Integrated Webcam, HP Installation Guide. | |

HP Retail Integrated Barcode Scanner E1L07AA/E6N62AV

Standard and Configurable Components

| | | |
|------------------------------|--------------------------------------|---|
| General | Indicators | Audible and visual read indicators |
| | Scan direction | Omni-directional |
| Symbologies | 1D / Linear Codes | Autodiscriminates all standard 1D codes including GS1 DataBar™ linear codes. |
| | 2D Codes | Aztec Code; China Han Xin Code; Data Matrix; MaxiCode; Micro QR Code; QR Code |
| | Postal codes | Australian Post; British Post; China Post; IMB; Japanese Post; KIX Post; Korea Post; Planet Code; Postnet; Royal Mail Code (RM4SCC) |
| | Stacked codes | EAN/JAN Composites; GS1 DataBar Composites; GS1 DataBar Expanded Stacked; GS1 DataBar Stacked; GS1 DataBar Stacked Omnidirect |
| Depth of field | Code 39: 5 mils | 4.7 to 17.7 cm (1.8 to 7.0 in) |
| | Code 39: 10 mils | 1.7 to 33.2 cm (0.7 to 13.1 in) |
| | Data Matrix: 10 mils | 2.7 to 17.1 cm (1.0 to 6.7 in) |
| | Data Matrix: 15 mils | 1.2 to 24.6 cm (0.5 to 9.7 in) |
| | EAN: 13 mils | 2.5 to 41.9 cm (1.0 to 16.5 in) |
| | PDF417: 10 mils | 2.2 to 23.9 cm (0.9 to 9.4 in) |
| | QR Code: 10 mils | 3.5 to 16.0 cm (1.4 to 6.3 in) |
| Mechanical | Dimensions (LxWxH) | 4.63 x 3.94 x 2.09 in |
| | Weight | 6.1 ounces (172g) (approximately) |
| | Adjustability | ±120°(side to side), ±1.5° +90°/-5°(down/up), ±1.5° |
| | Color | HP Black |
| Interface/ Connection | Interface | USB 2.0 |
| | Connection | Type A |
| Power | Voltage (typical) | 5.0V +/- 5% supplied by USB |
| | Current consumption (typical) | <180mA |
| Drivers | Windows Native, OPOS, JPOS | |
| Operating Systems | Compatibility | Windows 8 Professional (64-bit)* Windows 8 Professional (32-bit)* Windows 7 Professional 32-bit** Windows 7 Professional 64-bit** Windows Embedded POSReady 2009 Windows Embedded POSReady 7 32-bit Windows Embedded POSReady 7 64-bit Microsoft Windows XP Professional |

*Not all features are available in all editions of Windows 8. Systems may require upgraded and/or separately purchased hardware, drivers and/or software to take full advantage of Windows 8 functionality. See <http://www.microsoft.com>.

Options Kit Contents

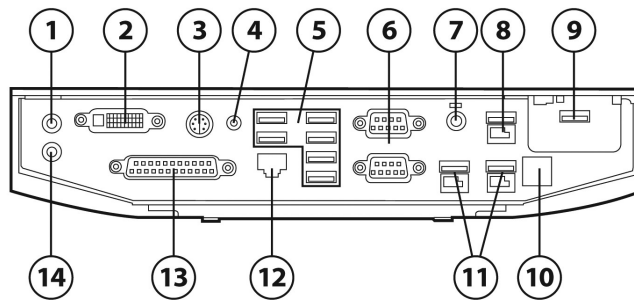
HP Retail Integrated Barcode Scanner, HP Point of Sale System Software and Documentation CD. Drivers for the HP Retail Integrated Barcode Scanner are on www.hp.com, listed under the RP7 Model 7100, RP7 model 7800, HP L6015tm monitor, and HP L6017tm monitors.

Standard and Configurable Components

I/O PORTS - CONNECTIVITY

- 6 USB 2.0
- 2 USB+PWR 12V (1 available if HP RP7 Vacuum Florescent Customer Display is installed)
- 1 USB+PWR 24V (Printer)
- 1 USB in lockable compartment (Security screw provided and housed in I/O cover. Requires the HP security screwdriver)
- 1 RJ-12 Cash Drawer (dual drawers via optional Y cable)
- 2 RS-232 Powered (+5V/+12V, F-10 Setup Configurable)
- 1 Parallel
- 1 PS/2 (supports keyboard or mouse, both through a splitter)
- 1 DVI-I for Secondary Display (not available if HP RP7 10.4-inch CFD is installed)
- 1 RJ-45 10/100/1000 LAN
- 1 Audio line-in
- 1 Audio line-out (not available if HP RP7 10.4-inch CFD is installed and audio is connected)
- 1 DC-in (for power supply)
- 1 DC-out (for HP RP7 10.4-inch CFD only)
- 4 USB connectors for select HP integrated peripherals

I/O PANEL



- | | |
|---|--|
| 1. 1 Audio line-in | 8. 1 USB+PWR 24V (Printer) |
| 2. 1 DVI-I for Secondary Display (not available if HP RP7 10.4-inch CFD is installed) | 9. 1 USB in lockable compartment (Security screw provided and housed in I/O cover. Requires the HP security screwdriver) |
| 3. 1 PS/2 (supports keyboard or mouse, both through a splitter) | 10. 1 RJ-12 Cash Drawer (dual drawers via optional Y cable) |
| 4. 1 DC-out (for HP RP7 10.4-inch CFD only) | 11. 2 USB+PWR 12V (1 available if HP RP7 Vacuum Florescent Customer Display is installed) |
| 5. 6 USB 2.0 | 12. 1 RJ-45 10/100/1000 LAN |
| 6. 2 RS-232 Powered (+5V/+12V, F-10 Setup Configurable) | 13. 1 Parallel |
| 7. 1 DC-in (for power supply) | 14. 1 Audio line-out (not available if HP RP7 10.4-inch CFD is installed and audio is connected) |

Standard and Configurable Components

STORAGE

Size

2.5"

Drive Bays

1

OPTIONS:**Solid State Drives**

32 GB SSD, 2.5" (RAID not supported)

128 GB SSD, 2.5"

256 GB SSD, 2.5"

REDUNDANT ARRAY OF INDEPENDENT DRIVES (RAID)

Flexible implementation:

- DriveLock is supported while in RAID mode. Users can manage the DriveLock password from within F10 Setup. Locked drives will be displayed as such in the RAID option ROM interface.
- Hard drive information can be viewed within F10 Setup while in RAID mode. Previously, the hard drives will not appear in Drive Configuration when switching to RAID mode.
- DPS Self Test can be executed on physical hard drives while in RAID mode.
- The RAID Setup Utility (accessed through CTRL-I) can be protected by the F10 Setup password.

NOTE: RAID 1 is the only RAID configuration offered via factory configurations. RAID is not supported on the 32GB SSD. The pre-configured systems:

- Are complete RAID systems and have both drives installed.
- Have the necessary Option ROM configuration.
- Are pre-loaded and pre-installed with all required Intel software.
- Include a preinstalled operating system that is mirrored mode out of the box.

Please refer to the HP White Paper titled "Advanced Host Controller Interface (AHCI) and Redundant Array of Independent Disks (RAID) on HP Compaq PCs" at: <http://www.hp.com> for more information and instructions.

MEMORY

Type Non-ECC, DDR3 SDRAM, 1600 MHz, SODIMM

Maximum 8 GB

of Slots 1

NOTE: Full availability of 4 GB or more of memory requires a 64-bit operating system. With Windows 32-bit operating systems, the amount of usable memory is dependent upon your configuration, so that above 3 GB all memory may not be available due to system resource requirements.

Standard and Configurable Components

MEMORY UPGRADES

Memory upgrades are accomplished by adding DIMMs of the same or varied sizes.. The HP RP7 Retail System supports non-ECC DDR3 PC3-10600 (1600 MHz) and PC3-8500 (1066 MHz) memory.

CAUTION: You must shut down the Retail System and disconnect the power cord before adding or removing memory modules. Regardless of the power-on state, voltage is always supplied to the memory modules as long as the Retail System is plugged in to an active AC outlet. Adding or removing memory modules while voltage is present may cause irreparable damage to the memory modules or system board.

MEMORY CONFIGURATIONS

| Slot 1 |
|--------|
| 2 GB |
| 4 GB |
| 8 GB |

SOFTWARE

HP Client Management Solutions (available for free download from hp.com/go/easydeploy)

HP SoftPaq Download Manager

HP Client Catalog for Microsoft SMS

HP Systems Software Manager

HP Client Automation Starter

NETWORK CONNECTIVITY

Broadcom BCM57788A1KMLG (Model 7100)

Optional Wireless: HP WLAN 802.11 a/b/g/n 2x2 DB MCard BT, HP WLAN 802.11 b/g/n 1x1 MCard NIC

AUDIO/MULTIMEDIA

Rear-line input (supports microphone or line input), lineout

All ports are 3.5mm in diameter

High Definition Audio with Realtek ALC221 codec (all ports are stereo)

SRS Premium Sound audio management technology

Multi-streaming capable*

Dual Internal Speakers (standard)

* Audio input ports are re-taskable as a Line-in or Microphone-in port. External speakers must be powered externally. Multi-streaming can be enabled in the Realtek control panel to allow independent audio streams to be sent to/from the front and rear jacks. This allows for different audio applications to use separate audio ports on the system. For example, the front jacks could be used with a headset for a communications application while the rear jacks are being used with external speakers and a multimedia application.

Standard and Configurable Components

POWER

| | |
|---------------------------------------|--|
| Power Supply | 180W External power supply, 87% Efficiency, Active PFC <i>*This power supply meets ENERGY STAR compliance in conjunction with a select range of processors and modules.</i> |
| Operating Voltage Range | 90 to 264 VAC |
| Rated Voltage Range | 100 to 240VAC |
| Rated Line Frequency | 50/60 Hz |
| Operating Line Frequency Range | 47 – 63 Hz |
| Rated Input Current | <2.9A AVG Efficiency 87% (calculated by testing at 20/50/75/100% load) |
| Power Supply Fan | None |
| ENERGY STAR® Compliant | ENERGY STAR® 5.0 compliant |
| Power Cord Length | 6.0ft (1.83m) |
| Current Leakage (NFPA99) | < 275 µA |

WEIGHTS & DIMENSIONS

| | |
|-----------------------------------|---|
| Weight | With HP Adjustable Stand 12.14 kg to 14.24 kg 26.76 lb to 31.29 lb |
| | With HP Value Stand 8.6 kg 18.96 lb |
| | Without stand 6.8 kg to 8.9 kg 14.99 lb to 19.62 lb |
| Dimensions (W x D x H) | With HP Adjustable Stand – 15" Display Option 36.6 x 42.4 x 33.58 cm 14.41 x 16.7 x 13.22 in |
| | With HP Adjustable Stand – 17" Display Option 38.6 x 43.07 x 34.72 cm 15.19 x 16.95 x 13.67 in |
| | With HP Value Stand – 15" Display Option 19.28 x 37.61 x 36.6 cm 7.59 x 14.81 x 14.41 in |
| | Without stand – 15" Display Option 36.6 x 8.94 x 31.3 cm 14.41 x 3.52 x 14.41 in |

Standard and Configurable Components

| | |
|------------------------|--|
| | Without stand – 17" Display Option 38.56 x 9.1 x 33.89 cm 15.18 x 3.58 x 13.34 in |
| Box Dimension | With HP Adjustable Stand 54.7 x 49.2 x 68.8 cm 21.54 x 19.37 x 27.09 in |
| | With HP Value Stand 59.6 x 48.4 x 27.2 cm 23.47 x 10.71 x 19.06 in |
| | Without Stand 54.2 x 48.5 x 16.9 cm 21.34 x 19.09 x 6.65 in |
| Shipping Weight | With HP Adjustable Stand – 15" 18.963 to 20.513 kg 41.8 to 45.22 lb |
| | With HP Adjustable Stand – 17" 19.513 to 21.063 kg 43.02 to 46.44 lb |
| | With HP Value Stand – 15" 8.29 to 10.39 kg 18.28 to 22.91 lb |
| | Without Stand – 15" 8.97 to 10.52 kg 19.78 to 23.19 lb |
| | Without Stand – 17" 9.52 to 11.07 kg 20.99 to 24.41 lb |
| | *(Minimum weight with 15" monitor, no peripherals and 1 SSD, Maximum weight with 17" monitor, CFD, webcam, Biometric reader, and MSR reader) |

TEMPERATURE, HUMIDITY, ALTITUDE

| | | |
|------------------------------------|---------------|-----------------------------|
| Temperature | Operating | 50° to 95° F (10° to 35° C) |
| | Non-operating | 50° to 95° F (10° to 35° C) |
| Relative humidity | Operating | 20 to 85% |
| Altitude (unpressurized) | Operating | 0 to 10,000 ft (3,048 m) |
| | Non-operating | 0 to 30,000 ft (9,144 m) |

Standard and Configurable Components

ENVIRONMENTAL & INDUSTRY

Eco-Label Certifications & Declarations

This product has received or is in the process of being certified to the following approvals and may be labeled with one or more of these marks:

- US Energy Star®
- IT ECO declaration
- EPEAT Gold where HP registers commercial desktop products. See <http://www.epeat.net> for registration status in your country.

SERVICE AND SUPPORT

On-site Warranty^{Note 1}: Limited warranty delivers on-site, next business-day^{Note 2} service for parts and labor and includes free telephone support^{Note 3} 24 x 7. The warranty terms vary by region and onsite and labor are not available in all countries. Depending on region and warranty terms, extended service offers terms up to 3 years by choosing a Carepack. To choose the right level of extended service for your HP product, visit HP Care Pack Central: www.hp.com/go/cpc

NOTE 1: Terms and conditions may vary by country. Certain restrictions and exclusions apply. Other warranty variations may be offered in your region.

NOTE 2: On-site service may be provided pursuant to a service contract between HP and an authorized HP third-party provider, and is not available in certain countries. Global service response times are based on commercially reasonable best effort and may vary by country.

NOTE 3: Technical telephone support applies only to HP-configured Compaq and third-party HP-qualified hardware and software. Toll-free calling and 24 x 7 support may not be available in some countries.

Environmental

Eco-Label Certifications & declarations

This product has received or is in the process of being certified to the following approvals and may be labeled with one or more of these marks:

- IT ECO declaration
- US ENERGY STAR®
- EPEAT Gold registered in the United States. See <http://www.epeat.net> for registration status in your country.

| Energy Consumption | <u>115 VAC</u> | <u>230 VAC</u> | <u>100 VAC</u> |
|------------------------------------|----------------|----------------|----------------|
| Normal Operation | 20.064 W | 20.292 W | 19.944 W |
| Sleep (Energy Star low power mode) | 2.280 W | 2.460 W | 2.316 W |
| Off | 1.068 W | 1.116 W | 1.056 W |

NOTE:

Energy efficiency data listed is for an ENERGY STAR® compliant product if offered within the model family . HP computers marked with the ENERGY STAR® Logo are compliant with the applicable U.S. Environmental Protection Agency (EPA) ENERGY STAR® specifications for computers. If a model family does not offer ENERGY STAR® compliant configurations, then energy efficiency data listed is for a typically configured model.

| Heat Dissipation* | <u>115 VAC</u> | <u>230 VAC</u> | <u>100 VAC</u> |
|-------------------|----------------|----------------|----------------|
| Normal Operation | 69 BTU/hr | 69 BTU/hr | 68 BTU/hr |
| Sleep | 8 BTU/hr | 8 BTU/hr | 8 BTU/hr |
| Off | 4 BTU/hr | 4 BTU/hr | 4 BTU/hr |

* Heat dissipation is calculated based on the measured watts, assuming the service level is attained for one hour.

Declared Noise Emissions (in accordance with ISO 7779 and ISO 9296)

| (Typically Configured) | Sound Power (LWAd, bels) | Sound Pressure (LpAm, decibels) |
|-------------------------------|-----------------------------|------------------------------------|
| Idle | 2.4 | 12 |
| Fixed Disk (random writes) | 2.4 | 12 |

Batteries

This battery(s) in this product comply with EU Directive 2006/66/EC

Batteries used in the product do not contain:

- Mercury greater the 5ppm by weight
- Cadmium greater than 10ppm by weight

Battery size: CR2032 (coin cell)

Environmental

Battery type: Lithium

Additional Information

- This product is in compliance with the Restrictions of Hazardous Substances (RoHS) directive – 2002/95/EC.
- This HP product is designed to comply with the Waste Electrical and Electronic Equipment (WEEE) Directive – 2002/96/EC.
- This product is in compliance with California Proposition 65 (State of California; Safe Drinking Water and Toxic Enforcement Act of 1986).
- This product is in compliance with the IEEE 1680 (EPEAT) standard at the Gold level, see www.epeat.net
- Plastics parts weighing over 25 grams used in the product are marked per ISO 11469 and ISO1043.
- This product contains 28.7% post consumer recycled plastic (by wt.)
- This product is 96.2% recyclable when properly disposed of at end of life.

Packaging Materials

- External:
 - PAPER/Corrugated – 2862.3 g
- Internal:
 - PLASTIC/Polyethylene high density – 42.2 g
 - PLASTIC/EPE-Expanded Polyethylene – 1745 g
- The PAPER/Corrugated packaging material is made from 24% recycled content.
- The PLASTIC/Polyethylene high density packaging material is made from 1.8% recycled content.
- The PLASTIC/EPE-Expanded Polyethylene packaging material is made from 1.8% recycled content.

RoHS Compliance

Hewlett-Packard is committed to compliance with all applicable environmental laws and regulations, including the European Union Restriction of Hazardous Substances (RoHS) Directive. HP's goal is to exceed compliance obligations by meeting the requirements of the RoHS Directive on a worldwide basis. By July 1, 2006, RoHS substances will be virtually eliminated (virtually = to levels below legal limits) for all HP electronic products subject to the RoHS Directive, except where it is widely recognized that there is no technically feasible alternative (as indicated by an exemption under the EU RoHS Directive).

Material Usage

This product does not contain any of the following substances in excess of regulatory limits (refer to the HP General Specification for the Environment at:

http://www.hp.com/hpinfo/globalcitizenship/environment/supplychain/gen_specifications.html):

- Asbestos
- Certain Azo Colorants
- Certain Brominated Flame Retardants – may not be used as flame retardants in plastics
- Cadmium
- Chlorinated Hydrocarbons
- Chlorinated Paraffins
- Formaldehyde
- Halogenated Diphenyl Methanes
- Lead carbonates and sulfates
- Lead and Lead compounds
- Mercuric Oxide Batteries
- Ozone Depleting Substances

Environmental

- Polybrominated Biphenyls (PBBs)
- Polybrominated Biphenyl Ethers (PBBEs)
- Polybrominated Biphenyl Oxides (PBBOs)
- Polychlorinated Biphenyl (PCB)
- Polychlorinated Terphenyls (PCT)
- Polyvinyl Chloride (PVC) – except for wires and cables, and certain retail packaging has been voluntarily removed from most applications.
- Radioactive Substances
- Tributyl Tin (TBT), Triphenyl Tin (TPT), Tributyl Tin Oxide (TBTO)
- Nickel finishes that release greater than 0.5 micro-grams/cm²/week, measured according to EN 1811:1998, are not used on any product surface designed to be frequently handled or touched by users.

Packaging

HP follows these guidelines to decrease the environmental impact of product packaging:

- Eliminate the use of heavy metals such as lead, chromium, mercury and cadmium in packaging materials.
- Eliminate the use of ozone-depleting substances (ODS) in packaging materials.
- Design packaging materials for ease of disassembly.
- Maximize the use of post-consumer recycled content materials in packaging materials.
- Use readily recyclable packaging materials such as paper and corrugated materials.
- Reduce size and weight of packages to improve transportation fuel efficiency.
- Plastic packaging materials are marked according to ISO 11469 and DIN 6120 standards.

End-of-life Management and Recycling

Hewlett-Packard offers end-of-life HP product return and recycling programs in many geographic areas. To recycle your product, please go to: <http://www.hp.com/go/reuse-recycle> or contact your nearest HP sales office. Products returned to HP will be recycled, recovered or disposed of in a responsible manner.

The EU WEEE directive (2002/95/EC) requires manufacturers to provide treatment information for each product type for use by treatment facilities. This information (product disassembly instructions) is posted on the Hewlett Packard web site at: <http://www.hp.com/go/recyclers>. These instructions may be used by recyclers and other WEEE treatment facilities as well as HP OEM customers who integrate and re-sell HP equipment.

Hewlett-Packard Corporate Environmental Information

For more information about HP's commitment to the environment:

Global Citizenship Report

<http://www.hp.com/hpinfo/globalcitizenship/gcreport/index.html>

Eco-label certifications

<http://www.hp.com/hpinfo/globalcitizenship/environment/productdesign/ecolabels.html>

ISO 14001 certificates:

<http://www.hp.com/hpinfo/globalcitizenship/environment/operations/envmanagement.html>

Options and Accessories (sold separately)

OPTIONS AND ACCESSORIES (sold separately)

Input Devices

| | Part Number |
|---|--------------------|
| HP RP7 VFD (Vacuum Florescent Display) Customer Display | QZ701AA |
| HP RP7 10.4 inch CFD Display | QZ702AA |
| HP Retail Integrated Dual-Head MSR | QZ673AA |
| HP Retail Integrated Fingerprint Reader | QZ672AA |
| HP Retail Integrated Webcam | QZ700AA |
| HP Retail Integrated Barcode Scanner | E1L07AA |
| HP POS Keyboard without MSR (AMS Region Only) | FK221AA |
| HP POS Keyboard with MSR | FK218AA |
| HP PS/2 Standard Keyboard | DT527A |
| HP USB Standard Keyboard | DT527A |
| HP USB Mini Keyboard | AS601AA |
| HP USB Washable Keyboard | BM866AA |
| HP USB and PS/2 Washable Keyboard and Mouse Kit | BU207AA |
| HP PS/2 Optical Mouse | EY703AA |
| HP USB Optical Mouse | DC172AA |
| HP USB Laser Mouse | GW405AA |

Security

| | |
|-------------------------------------|---------|
| HP/Kensington MicroSaver Cable Lock | PC766A |
| HP Business PC Security Lock | PV606AA |
| HP Keyed Lock Cable | BV411AA |

Barcode Scanners

| | |
|--------------------------------------|---------|
| HP Imaging Barcode Scanner | BW868AA |
| HP Linear Barcode Scanner | QY405AA |
| HP Presentation Barcode Scanner | QY439AA |
| HP Retail Integrated Barcode Scanner | E1L07AA |

Cash drawers

| | |
|--|---------|
| HP Heavy Duty Cash Drawer | FK182AA |
| HP Standard Duty Cash Drawer | QT457AA |
| HP Standard Duty Till with Locking Cover | QT458AA |
| HP Flip-Top Cash Drawer (EMEA Region Only) | BW867AA |
| HP Flip-Top Till with Locking Cover (EMEA Region Only) | BZ335AA |
| HP Cable Pack for Dual Cash Drawers | QT538AA |

Printers

| | |
|--|---------|
| HP Powered USB Thermal Receipt Printer | FK224AA |
|--|---------|

Options and Accessories (sold separately)

| | |
|---|---------|
| HP Serial/USB Thermal Receipt Printer | BM476AA |
| HP Hybrid Printer with MICR | FK184AA |
| HP USB Y Cable (for Serial USB/Receipt Printer) | BM477AA |

System Memory

| | |
|----------------------|---------|
| 2GB DDR3-1600 SODIMM | B4U38AA |
| 4GB DDR3-1600 SODIMM | B4U39AA |
| 8GB DDR3-1600 SODIMM | B4U40AA |

Storage

| | |
|--------------------|---------|
| 128GB SATA 2.5 SSD | QV063AA |
|--------------------|---------|

MSR

| | |
|-------------|---------|
| HP Mini-MSR | FK186AA |
|-------------|---------|

Displays

| | |
|-------------------------------|---------|
| HP POS Pole Display | FK225AA |
| HP Graphical POS Pole Display | QZ704AA |

Stands

| | |
|-------------------------|------------------|
| HP RP7 Adjustable Stand | B0T02AV/ QZ703AA |
| HP RP7 Value Stand | E3A13AV/ E5E14AA |

Copyright © 2013 Hewlett-Packard Development Company, L.P

All rights reserved. Microsoft, Windows, Windows 7, and Windows Vista are registered trademarks or trademarks of Microsoft Corporation in the U.S. and/or other countries. Intel, Core, and Pentium are registered trademarks or trademarks of Intel Corporation in the U.S. and/or other countries. Bluetooth is a registered trademark of Bluetooth SIG, Inc., in the U.S. and other countries. All other product names mentioned herein may be trademarks of their respective companies.

The information contained herein is subject to change without notice and is provided "as is" without warranty of any kind. The warranties for HP products are set forth in the express limited warranty statements accompanying such products. Nothing herein should be construed as constituting an additional warranty. HP shall not be liable for technical or editorial errors or omissions contained herein.