

NEW!

Nanomount™ Vibration Isolators

We make it **possible**



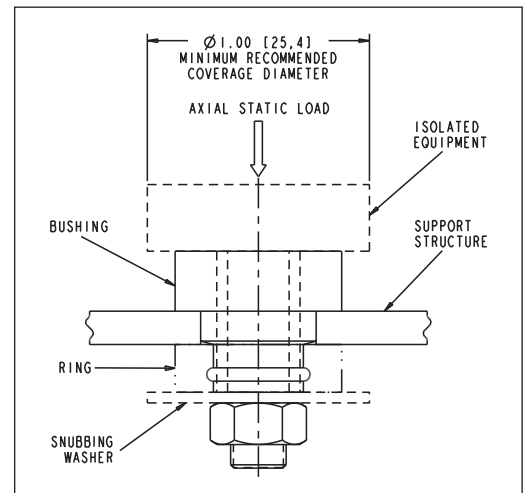
32367 Series

32368 Series

DESCRIPTION & CHARACTERISTICS:

Simple, compact, and rugged vibration isolators are **ideal for lightweight applications and small payloads**. Nanomount™ offers performance and durability in a low profile geometry with failsafe construction. Suitable for general purpose isolation or for protecting electronic equipment such as control modules, sensors, monitors, and displays from the damaging effects of vibration and shock. **Perfect for installations where packaging space is at a premium.**

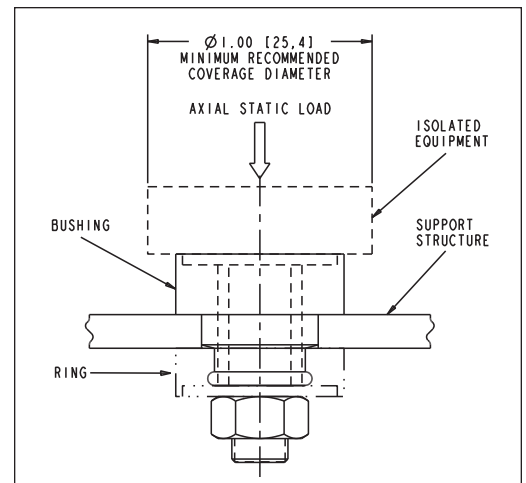
- » Low profile design for ease of packaging in small installations
- » Natural Frequency: 20 – 40 Hz
- » Load Ratings: 4 – 64 lbs [1.8 – 29.1 kg]
- » Axial to Radial Stiffness Ratio: 1:2
- » Failsafe construction with integral bonded snubbing washers (32368) or with separately installed snubbing washers (32367)
- » Standard materials:
 - Metal components: Steel
 - Elastomer: Natural Rubber or Neoprene
- » Alternate materials are available for special environments or applications
- » Operating temperature range:
 - Natural Rubber: -40°F to 180°F (-40°C to 82 °C)
 - Neoprene: -20°F to 180°F (-30°C to 82 °C)
- » Designed for use with 1/4" or M6 fastener
- » Suitable for installation in support plates ranging from .125" to .188" thick



32367 with separate snubbing washer

NANOMOUNT™ ADVANTAGES:

- » **Snap lock feature holds the vibration mount together and prevents separation during assembly**
- » All-attitude mounting capability allows Nanomount™ to be installed in any orientation
- » **Integral bonded washers in the 32368 series eliminate the need for separate washers and reduce component count**
- » Bonded construction improves durability and performance

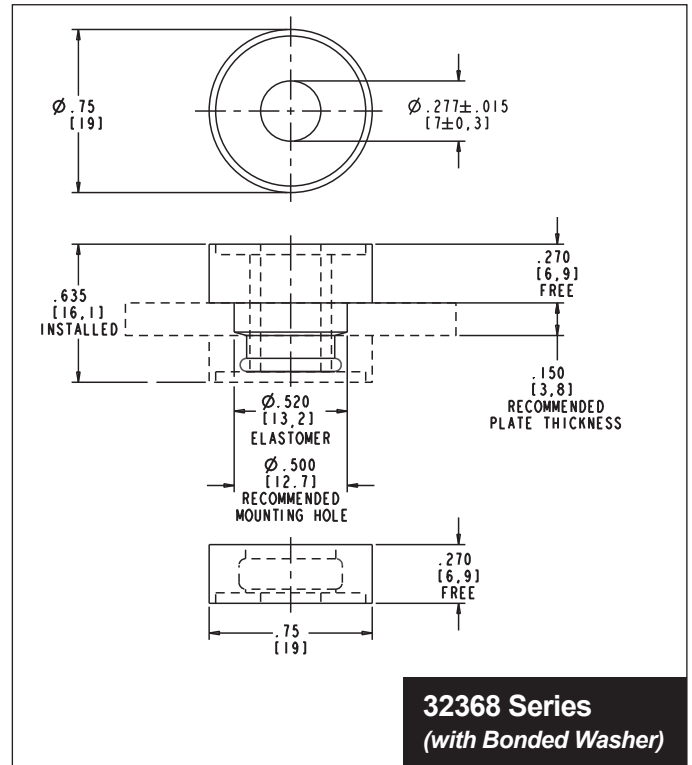
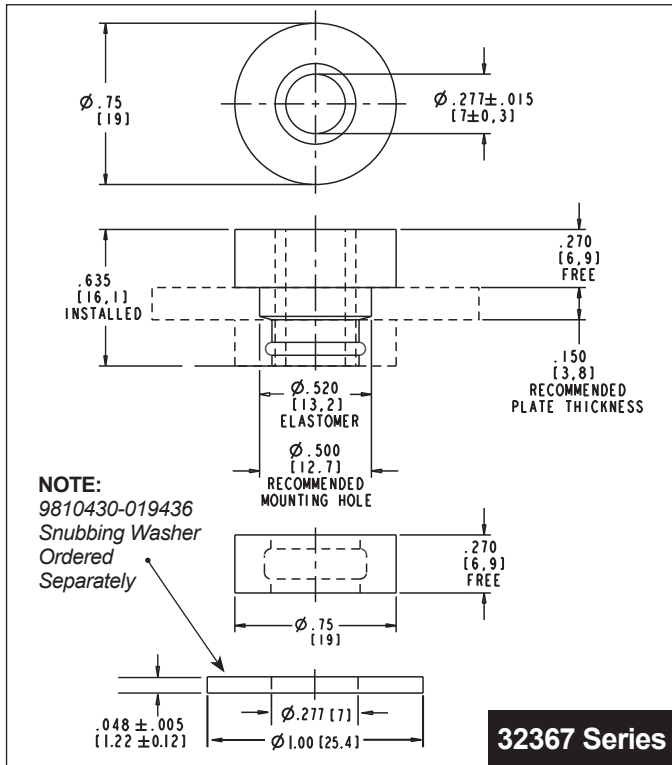


32368 with integral snubbing washers

Bolt Size	Grade or Class	Maximum Recommended Tightening Torque			
		lb - in	Dry [N-m]	Plated / Lubricated lb - in	[N-m]
1/4 – 20	5	102	[11.5]	76	[8.6]
1/4 – 28	5	116	[13.1]	87	[9.8]
M6 x 1.0	8.8	93	[10.5]	70	[7.9]

We make it possible

DIMENSIONS:



ORDERING INFORMATION:

Part Number	Elastomer Material	Durometer (reference)	Color Code (paint dot)	Rated Load Axial (max)*		Rated Load Radial (max)*		Snubbing Washer Part Number	
				lbs	[kg]	lbs	[kg]		
32367-1	Natural Rubber	35	Red	16	[7.3]	4	[1.8]	9810430-019436	
32367-2		45	Yellow	24	[10.9]	6	[2.7]		
32367-3		55	Green	36	[16.4]	9	[4.1]		
32367-4		65	Blue	48	[21.8]	12	[5.5]		
32367-5		75	Purple	64	[29.1]	16	[7.3]		
32367-11	Neoprene	35	Red & White	16	[7.3]	4	[1.8]		
32367-12		45	Yellow & White	24	[10.9]	6	[2.7]		
32367-13		55	Green & White	36	[16.4]	9	[4.1]		
32367-14		65	Blue & White	48	[21.8]	12	[5.5]		
32367-15		75	Purple & White	64	[29.1]	16	[7.3]		
32368-1	Natural Rubber	35	Red	16	[7.3]	4	[1.8]		Not Required (Bonded snubbing washer integrated into isolator)
32368-2		45	Yellow	24	[10.9]	6	[2.7]		
32368-3		55	Green	36	[16.4]	9	[4.1]		
32368-4		65	Blue	48	[21.8]	12	[5.5]		
32368-5		75	Purple	64	[29.1]	16	[7.3]		
32368-11	Neoprene	35	Red & White	16	[7.3]	4	[1.8]		
32368-12		45	Yellow & White	24	[10.9]	6	[2.7]		
32368-13		55	Green & White	36	[16.4]	9	[4.1]		
32368-14		65	Blue & White	48	[21.8]	12	[5.5]		
32368-15		75	Purple & White	64	[29.1]	16	[7.3]		

* Rated Loads listed are for installations using recommended 0.150" thick support plate. For optional 0.125" thick support plate, rated loads should be reduced by 50%. For optional 0.188" thick support plate, rated loads can be increased by 25%