

HORIZONTAL FAN COILS

- FMU4Z and FMC4Z 1-1/2, 2, 2-1/2, and 3 Tons
- FMU4X and FMC4X 1-1/2, 2, 2-1/2, and 3 Tons
- Horizontal application only
- Accessory field-installed electric heat kits available in 3, 5, 6, 7.5, or 10 kW
- 40 VA 208/230v-1-60 transformer
- All Models use R-410A TXV metering device
- Adjustable condensate drainpan

FMC4X & FMC4Z

- Horizontal return applications require field fabricated bottom cover
- Cabinets meet the requirement of 1.4% cabinet leakage rate when tested to ASHRAE Standard 193
- Cabinets constructed to prevent cabinet sweating
- Refrigerant lines and electrical connections can be run out the back or side of casing

PERFORMANCE

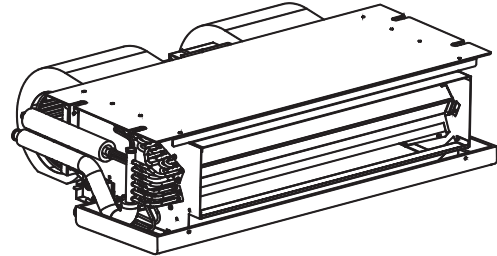
- PSC motor on all FMU4X & FMC4X models
- ECM motor on all FMU4Z & FMC4Z models

EASY TO INSTALL AND SERVICE

- A-coil design for maximum surface area
- Multiple electrical, refrigerant lineset and drain line entry for application flexibility
- Primary and secondary drain connections exit from the back or side of the cabinet
- Supports furred-down ceiling open return and ducted return applications
- Sweat connections for long term reliability
- Grooved aluminum tube / aluminum fin coils on FMU4X & FMC4X models with "AL" in the 10th & 11th position

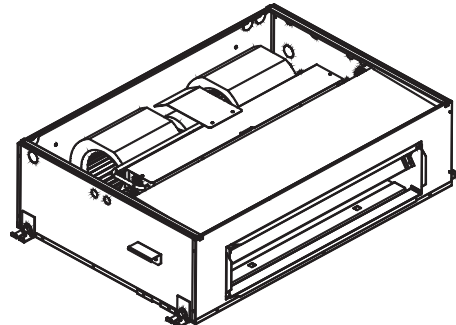
LIMITED WARRANTY*

- 5 year parts limited warranty
- With timely registration, an additional 5 year parts limited warranty
- * For residential applications only. See warranty certificate for complete details and restrictions, including warranty coverage for other applications.



A13303

**FMU4X & FMU4Z – Uncased Horizontal Fan Coil
(FMU4Z model shown)**



A13304

**FMC4X & FMC4Z – Cased Horizontal Fan Coil
(Unit pictured upside down)**



Use of the AHRI Certified TM Mark indicates a manufacturer's participation in the program. For verification of certification for individual products, go to www.ahridirectory.org.



Model	Tons	Nominal BTU	CFM (L/s)	Dimensions H x W x D in. (mm)	Ship Wt. lbs. (kg)
UNCASED					
FMU4X1800A‡	1-1/2	18,000	600(283)	10-1/4 x 37-1/4 x 26-3/8 (260 x 946 x 670)	75 (34)
FMU4X2400A‡	2	24,000	800(378)		75 (34)
FMU4X3000A‡	2-1/2	30,000	1000(472)	10-1/4 x 49-1/4 x 26-3/8 (260 x 1251 x 670)	93 (42)
FMU4X3600A‡	3	36,000	1200(566)		93 (42)
FMU4Z1800AL	1-1/2	18,000	600(283)	10-1/4 x 37-1/4 x 26-3/8 (260 x 946 x 670)	75 (34)
FMU4Z2400AL	2	24,000	800(378)		75 (34)
FMU4Z3000AL	2-1/2	30,000	1000(472)	10-1/4 x 49-1/4 x 26-3/8 (260 x 1251 x 670)	93 (42)
FMU4Z3600AL	3	36,000	1200(566)		93 (42)
CASED					
FMC4X1800A‡	1-1/2	18,000	600(283)	11 x 39-3/4 x 27-3/4 (282 x 1010 x 704)	109 (49)
FMC4X2400A‡	2	24,000	800(378)		109 (49)
FMC4X3000A‡	2-1/2	30,000	1000(472)	11 x 51-3/4 x 27-3/4 (282 x 1315 x 704)	135 (61)
FMC4X3600A‡	3	36,000	1200(566)		135 (61)
FMC4Z1800AL	1-1/2	18,000	600(283)	11 x 39-3/4 x 27-3/4 (282 x 1010 x 704)	109 (49)
FMC4Z2400AL	2	24,000	800(378)		109 (49)
FMC4Z3000AL	2-1/2	30,000	1000(472)	11 x 51-3/4 x 27-3/4 (282 x 1315 x 704)	135 (61)
FMC4Z3600AL	3	36,000	1200(566)		135 (61)

‡ = T - Tin plated, copper hairpin coils, L - Aluminum Coil

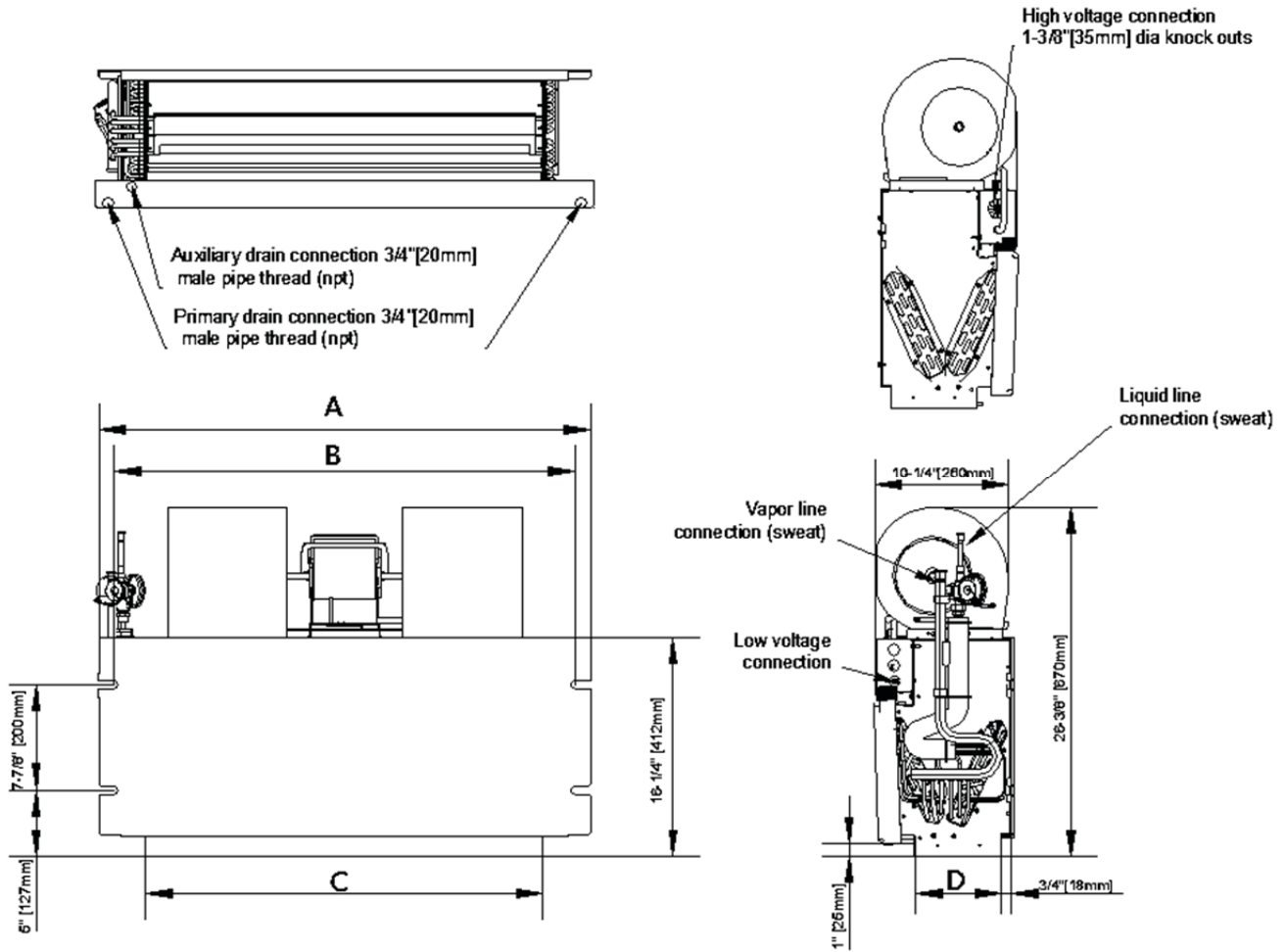
FAN COIL MODEL NUMBER IDENTIFICATION GUIDE

	F	M	U	4	Z	2400	A	L
F = Fan Coil								
M = Multi-Family		TYPE						
U = Uncased C = Cased			INSTALLATION TYPE					
4 = Environmentally Balanced R-410A				REFRIGERANT				
X = R-410A TXV & PSC Motor Z = R-410A TXV & ECM Motor					METERING DEVICE			
1800 = 18,000 BTUH = 1-1/2 tons 2400 = 24,000 BTUH = 2 tons 3000 = 30,000 BTUH = 2-1/2 tons 3600 = 36,000 BTUH = 3 tons						NOMINAL CAPACITY		
A = Marketing Revision							REVISION	
T = Tin-Plated, copper hairpin coils L = All Aluminum Coils								SALES CODE / FEATURES

ELECTRIC HEATER MODEL NUMBER IDENTIFICATION GUIDE

	EHK	3	05	B
EHK = Electric Heater Kit				
Sales Code				
03 = 3 kW 05 = 5 kW 06 = 6 kW 08 = 7.5 kW 10 = 10 kW			NOMINAL HEAT VALUE	
Engineering Code				

DIMENSIONS

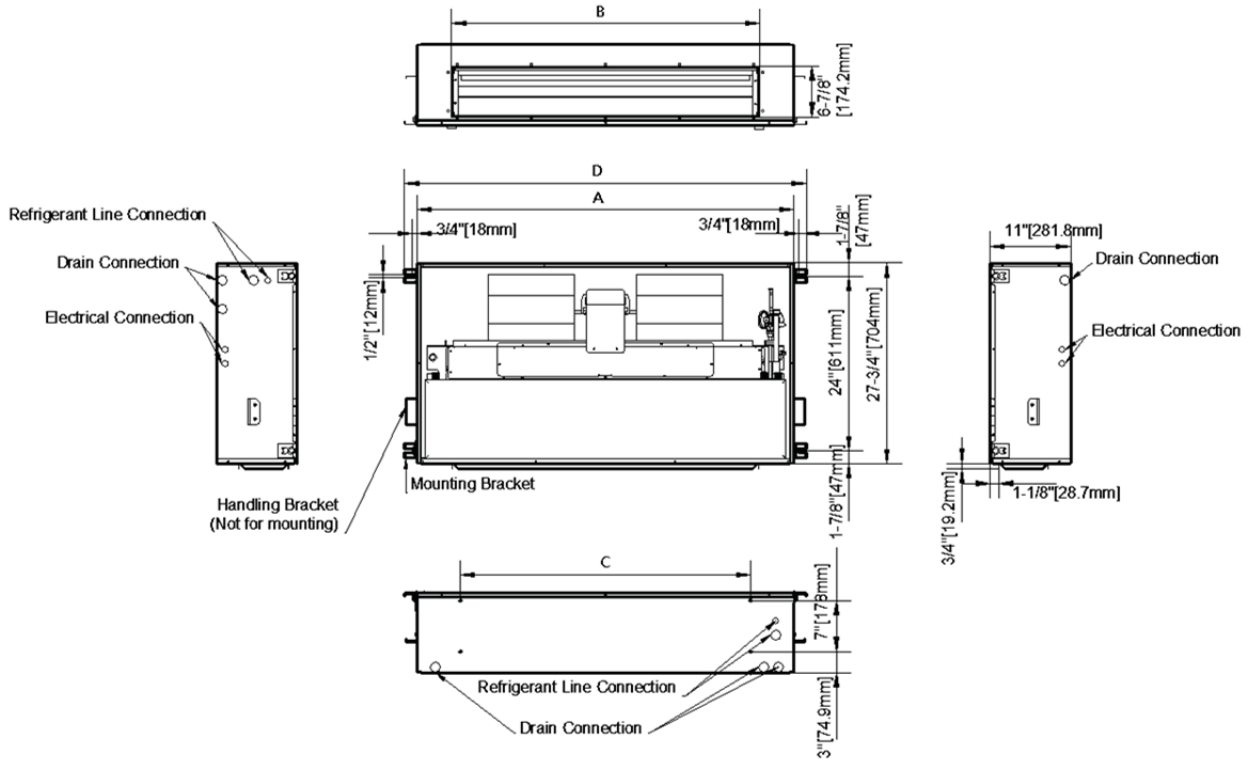


A170307

**FMU4X & FMU4Z Uncased Horizontal Fan Coil Dimensional Drawing
(FMU4Z model shown)**

Model Size	Dimensions- inches (mm)				Unit Operating Weight lbs (kg)
	"A"	"B"	"C"	"D"	
18	37-1/4 (946)	34-11/16 (881)	30 (762)	6-1/2 (165)	75 (34)
24	37-1/4 (946)	34-11/16 (881)	30 (762)	6-1/2 (165)	75 (34)
30	49-1/4 (1251)	46-11/16 (1186)	42 (1067)	6-1/2 (165)	93 (42)
36	49-1/4 (1251)	46-11/16 (1186)	42 (1067)	6-1/2 (165)	93 (42)

DIMENSIONS



**FMC4X & FMC4Z Cased Horizontal Fan Coil Dimensional Drawing
(FMC4Z model shown)**

A170308

Model Size	Dimensions- inches (mm)				Unit Operating Weight lbs (kg)
	"A"	"B"	"C"	"D"	
18	39-3/4 (1010)	30-3/8 (771)	28 (711)	43-3/8 (1101)	109 (49)
24	39-3/4 (1010)	30-3/8 (771)	28 (711)	43-3/8 (1101)	109 (49)
30	51-3/4 (1315)	42-3/8 (1076)	40 (1016)	55-3/8 (1406)	135 (61)
36	51-3/4 (1315)	42-3/8 (1076)	40 (1016)	55-3/8 (1406)	135 (61)

REQUIRED CLEARANCES - ALL MODELS inches (mm)			
No Heaters		All Sides	0
		From Supply Duct	0
With Heaters		All Sides	0
		From Supply Duct	0

PHYSICAL DATA

	Unit Size			
FM(U,C)4Z	18	24	30	36
Nominal Cooling Capacity (BTUH)	18,000	24,000	30,000	36,000
COIL				
R-410A - Refrigerant Metering Device	R-410A TXV	R-410A TXV	R-410A TXV	R-410A TXV
Coil Configuration	A-Coil			
BLOWER & MOTOR				
Air Discharge	Horizontal			
Blower Type	Dual Blower Direct Drive			
CFM (Nominal)	600	800	1000	1200
Motor Type	ECM	ECM	ECM	ECM
Motor HP	1/3	1/3	1/3	1/3
Rated RPM	1050	1050	1050	1050
Motor Speeds	5	5	5	5
FILTER				
Field Installed - in. (mm)	Qty. 2- 16x20x1 (406x508x25)	Qty. 2- 16x20x1 (406x508x25)	Qty. 2- 20x20x1 (508x508x25)	Qty. 2- 20x20x1 (508x508x25)
CONNECTIONS (Sweat)				
Suction - in. (mm)	3/4 in. (19 mm)			
Liquid - in. (mm)	3/8 in. (9.5 mm)			
Condensate (MPT) - in. (mm)	3/4 in. (19 mm)			
ELECTRICAL DATA				
Voltage	208/230	208/230	208/230	208/230
Hertz	60	60	60	60
Minimum Circuit Ampacity	2.6	2.6	2.6	2.6
Maximum Circuit Protector	15 (A)	15 (A)	15 (A)	15 (A)
FM(U,C)4X				
Unit Size				
FM(U,C)4X	18	24	30	36
Nominal Cooling Capacity (BTUH)	18,000	24,000	30,000	36,000
COIL				
R-410A - Refrigerant Metering Device	R-410A TXV			
Coil Configuration	A-Coil			
BLOWER & MOTOR				
Air Discharge	Horizontal			
Blower Type	Dual Blower Direct Drive			
CFM (Nominal)	600	800	1000	1200
Motor Type	PSC	PSC	PSC	PSC
Motor HP	1/8	1/8	1/3	1/3
Rated RPM	1075	1075	1600	1600
Motor Speeds	3	3	3	3
FILTER				
Field Installed - in. (mm)	Qty. 2- 16x20x1 (406x508x25)	Qty. 2- 16x20x1 (406x508x25)	Qty. 2- 20x20x1 (508x508x25)	Qty. 2- 20x20x1 (508x508x25)
CONNECTIONS (Sweat)				
Suction - in. (mm)	3/4 in. (19 mm)			
Liquid - in. (mm)	3/8 in. (9.5 mm)			
Condensate (MPT) - in. (mm)	3/4 in. (19 mm)			
ELECTRICAL DATA				
Voltage	208/230	208/230	208/230	208/230
Hertz	60	60	60	60
Minimum Circuit Ampacity	1.32	1.32	2.2	2.2
Maximum Circuit Protector	15 (A)	15 (A)	15 (A)	15 (A)

PERFORMANCE DATA

AIRFLOW PERFORMANCE (STANDARD CFM)

ECM – SELECTING HEAT PUMP SPEED OF ECM MOTOR (Uncased)

Model	Motor Speed	CFM Wet Coil without Filter or Electric Heat, Uncased							
		External Static Pressure-Inches W.C.[kPa]							
		[0]	0.1[.025]	0.15[.0375]	0.2[.050]	0.3[0.075]	0.4[0.100]	0.5[0.125]	0.6[0.150]
18	1	741	670	638	612	545	470	403	336
	2	925	860	819	788	727	655	588	500
	3	1069	1005	973	941	886	826	683	550
	4	1193	1140	1106	1071	970	850	700	560
	5	1288	1221	1177	1133	1024	895	745	575
24	1	741	670	638	612	545	470	403	336
	2	925	860	819	788	727	655	588	500
	3	1069	1005	973	941	886	826	683	550
	4	1193	1140	1106	1071	970	850	700	560
	5	1288	1221	1177	1133	1024	895	745	575
30	1	800	691	647	602	530	460	380	300
	2	1025	921	871	820	723	628	536	448
	3	1203	1106	1059	1011	916	822	729	636
	4	1339	1266	1224	1181	1085	978	859	729
	5	1468	1399	1361	1323	1253	1061	900	760
36	1	800	691	647	602	530	460	380	300
	2	1025	921	871	820	723	628	536	448
	3	1203	1106	1059	1011	916	822	729	636
	4	1339	1266	1224	1181	1085	978	859	729
	5	1468	1399	1361	1323	1253	1061	900	760

PSC– SELECTING HEAT PUMP SPEED OF PSC MOTOR (Uncased)

Model	Motor Speed	CFM Wet Coil without Filter or Electric Heat, Uncased							
		External Static Pressure-Inches W.C.[kPa]							
		[0]	0.05[.0125]	0.1[.025]	0.15[.0375]	0.2[.050]	0.25[.0625]	0.3[.075]	0.35[.0875]
18	Low	748	716	677	629	573	510	439	360
	Medium	955	910	855	792	719	638	547	448
	High	992	941	884	820	749	672	588	497
24	Low	748	716	677	629	573	510	439	360
	Medium	955	910	855	792	719	638	547	448
	High	992	941	884	820	749	672	588	497
Model	Motor Speed	CFM Wet Coil without Filter or Electric Heat, Uncased							
		External Static Pressure-Inches W.C.[kPa]							
		[0]	0.1[.025]	0.15[.0375]	0.2[.050]	0.3[0.075]	0.4[0.100]	0.5[0.125]	0.6[0.150]
30	Low	1221	1132	1085	1037	936	831	720	603
	Medium	1331	1247	1202	1155	1055	947	831	707
	High	1442	1370	1328	1282	1178	1059	925	775
36	Low	1221	1132	1085	1037	936	831	720	603
	Medium	1331	1247	1202	1155	1055	947	831	707
	High	1442	1370	1328	1282	1178	1059	925	775

■ – Shaded boxes represent airflow outside the required 300-450 CFM/ton.

NOTES:

1. Airflow data is without filter or electric heat accessory. Heater adds 0.05 –in. static.
2. Use wet coil data for determining cooling airflow
3. Accessory louver panel adds 0.05 –in. Static.
4. When electric heater is working only, 300CFM for each ton is sufficient except 30K work with 10KW heat (≥ 900 SCFM)

PERFORMANCE DATA (cont.)

ECM – SELECTING HEAT PUMP SPEED OF ECM MOTOR (Cased, Back Return)

Model	Motor Speed	CFM Wet Coil without Filter or Electric Heat, Cased, Back Return							
		External Static Pressure-Inches W.C.[kPa]							
		[0]	0.1[.025]	0.15[.0375]	0.2[.050]	0.3[.075]	0.4[.100]	0.5[.125]	0.55[.1375]
18K	1	753	655	609	564	481	407	340	309
	2	913	828	787	746	666	588	513	476
	3	1044	982	945	904	810	700	575	500
	4	1153	1058	1007	953	837	711	578	503
	5	1163	1068	1017	963	847	719	580	506
24K	1	753	655	609	564	481	407	340	309
	2	913	828	787	746	666	588	513	476
	3	1044	982	945	904	810	700	575	500
	4	1153	1058	1007	953	837	711	578	503
	5	1163	1068	1017	963	847	719	580	506
30K	1	801	700	651	602	508	418	331	288
	2	1015	916	869	822	731	645	562	523
	3	1177	1107	1069	1029	943	848	745	670
	4	1327	1279	1245	1203	1098	963	795	692
	5	1493	1404	1350	1289	1150	987	798	695
36K	1	801	700	651	602	508	418	331	288
	2	1015	916	869	822	731	645	562	523
	3	1177	1107	1069	1029	943	848	745	670
	4	1327	1279	1245	1203	1098	963	795	692
	5	1493	1404	1350	1289	1150	987	798	695

ECM– SELECTING HEAT PUMP SPEED OF ECM MOTOR (Cased, Bottom Return)

Model	Motor Speed	CFM Wet Coil without Filter or Electric Heat, Cased, Bottom Return							
		External Static Pressure-Inches W.C.[kPa]							
		[0]	0.1[.025]	0.15[.0375]	0.2[.050]	0.3[.075]	0.4[.100]	0.5[.125]	0.55[.1375]
18K	1	756	658	611	566	480	400	325	290
	2	946	855	810	766	675	591	506	464
	3	1035	965	926	883	788	681	561	497
	4	1208	1110	1056	999	874	736	585	504
	5	1225	1132	1079	1023	898	758	602	518
24K	1	756	658	611	566	480	400	325	290
	2	946	855	810	766	678	591	506	464
	3	1035	965	926	883	788	681	561	497
	4	1208	1110	1056	999	874	736	585	504
	5	1225	1132	1079	1023	898	758	602	518
30K	1	796	712	670	626	537	445	351	302
	2	1012	901	850	801	709	627	555	522
	3	1156	1083	1044	1002	911	811	702	616
	4	1310	1197	1150	1101	980	850	708	626
	5	1469	1328	1256	1182	1031	875	714	632
36K	1	796	712	670	626	537	445	351	302
	2	1012	901	850	801	709	627	555	522
	3	1156	1083	1044	1002	911	811	702	616
	4	1310	1197	1150	1101	980	850	708	626
	5	1469	1328	1256	1182	1031	875	714	632

■ – Shaded boxes represent airflow outside the required 300-450 CFM/ton.

NOTES:

- Airflow data is without filter or electric heat accessory. Heater adds 0.05 –in. static.
- Use wet coil data for determining cooling airflow
- Accessory louver panel adds 0.05 –in. Static.
- When electric heater is working only, 300CFM for each ton is sufficient except 30K work with 10KW heat (≥ 900 SCFM)

PERFORMANCE DATA (cont.)

PSC– SELECTING HEAT PUMP SPEED OF PSC MOTOR (Cased, Back Return)

Model	Motor Speed	CFM Wet Coil without Filter or Electric Heat, Cased, Back Return							
		External Static Pressure-Inches W.C.[kPa]							
		[0]	0.05[.0125]	0.1[.025]	0.15[.0375]	0.2[.050]	0.25[.0625]	0.3[.075]	0.35[.0875]
18K	L	714	679	636	585	527	461	387	306
	M	829	790	743	690	628	559	483	399
	H	876	830	776	723	662	593	517	432
24K	L	714	679	636	585	527	461	387	306
	M	829	790	743	690	628	559	483	399
	H	876	830	776	723	662	593	517	432
Model	Motor Speed	CFM Wet Coil without Filter or Electric Heat, Cased, Back Return							
		External Static Pressure-Inches W.C.[kPa]							
		[0]	0.1[.025]	0.15[.0375]	0.2[.050]	0.3[.075]	0.4[.100]	0.5[.125]	0.6[.150]
30K	L	1191	1096	1047	997	894	787	675	560
	M	1299	1201	1151	1101	1000	897	793	687
	H	1435	1323	1268	1214	1107	1003	902	804
36K	L	1191	1096	1047	997	894	787	675	560
	M	1299	1201	1151	1101	1000	897	793	687
	H	1435	1323	1268	1214	1107	1003	902	804

PSC– SELECTING HEAT PUMP SPEED OF PSC MOTOR (Cased, Bottom Return)

Model	CFM Wet Coil without Filter or Electric Heat, Cased, Bottom Return						
	External Static Pressure-Inches W.C.[kPa]						
	[0]	0.05[.0125]	0.1[.025]	0.15[.0375]	.25[.0625]	0.3[.075]	0.35[.0875]
18K	726	689	645	593	464	392	315
	845	801	753	692	559	487	411
	887	832	773	711	573	498	419
24K	726	689	645	593	464	392	315
	845	801	753	692	559	487	411
	887	832	773	711	573	498	419
Model	CFM Wet Coil without Filter or Electric Heat, Cased, Bottom Return						
	External Static Pressure-Inches W.C.[kPa]						
	[0]	0.1[.025]	0.15[.0375]	0.2[.050]	.4[.100]	0.5[.125]	0.6[.150]
30K	1200	1095	1042	989	768	655	539
	1305	1208	1158	1106	884	764	638
	1423	1327	1276	1224	994	867	733
36K	1200	1095	1042	989	768	655	539
	1305	1208	1158	1106	884	764	638
	1423	1327	1276	1224	994	867	733

■ – Shaded boxes represent airflow outside the required 300-450 CFM/ton.

NOTES:

1. Airflow data is without filter or electric heat accessory. Heater adds 0.05 –in. static.
2. Use wet coil data for determining cooling airflow
3. Accessory louver panel adds 0.05 –in. Static.
4. When electric heater is working only, 300CFM for each ton is sufficient except 30K work with 10KW heat (≥900SCFM)

REQUIRED CFM RANGE

Size	CFM	
	Min	Max
18	450	675
24	600	900
30	750	1125
36	900	1350

PERFORMANCE DATA (cont.)

GROSS COOLING CAPACITIES (MBH)

INDOOR COIL AIR		SATURATED TEMPERATURE LEAVING EVAPORATOR (deg F)														
		35			40			45			50			55		
CFM	EWB	TC	SHC	BF	TC	SHC	BF	TC	SHC	BF	TC	SHC	BF	TC	SHC	BF
FM(C,U)4(X,Z)1800AL																
525	72	31.17	15.22	0.00	28.42	13.93	0.03	25.33	12.56	0.05	21.81	11.10	0.05	17.82	9.55	0.06
	67	25.90	15.84	0.06	23.07	14.47	0.06	19.86	13.00	0.06	16.23	11.45	0.06	12.13	9.82	0.06
	62	21.06	16.35	0.06	18.13	14.89	0.06	14.92	13.40	0.06	12.25	12.25	0.10	10.38	10.38	0.24
600	72	33.78	16.47	0.02	30.86	15.12	0.05	27.54	13.67	0.06	23.73	12.10	0.07	19.39	10.43	0.07
	67	28.16	17.29	0.07	25.11	15.83	0.07	21.63	14.26	0.07	17.67	12.58	0.07	13.20	10.82	0.07
	62	22.93	17.96	0.07	19.75	16.40	0.07	16.30	14.81	0.07	13.55	13.55	0.12	11.48	11.48	0.25
675	72	36.15	17.59	0.04	33.06	16.20	0.06	29.52	14.68	0.07	25.47	13.03	0.08	20.81	11.25	0.08
	67	30.20	18.62	0.08	26.95	17.09	0.08	23.24	15.43	0.09	18.99	13.65	0.09	14.19	11.76	0.09
	62	24.63	19.47	0.09	21.23	17.81	0.09	17.59	16.15	0.09	14.79	14.79	0.14	12.52	12.52	0.27
SATURATED TEMPERATURE LEAVING EVAPORATOR (deg F)																
INDOOR COIL AIR		35			40			45			50			55		
CFM	EWB	TC	SHC	BF	TC	SHC	BF	TC	SHC	BF	TC	SHC	BF	TC	SHC	BF
FM(C,U)4(X,Z)2400AL																
700	72	37.46	18.58	0.05	34.27	17.12	0.07	30.61	15.52	0.08	26.42	13.79	0.08	21.59	11.92	0.09
	67	31.31	19.71	0.09	27.96	18.11	0.09	24.11	16.37	0.09	19.71	14.48	0.09	14.73	12.49	0.09
	62	25.55	20.65	0.09	22.03	18.91	0.09	18.28	17.17	0.09	15.43	15.43	0.15	13.06	13.06	0.28
800	72	40.19	19.94	0.07	36.84	18.43	0.09	32.95	16.76	0.10	28.46	14.93	0.10	23.29	12.94	0.10
	67	33.69	21.36	0.11	30.12	19.68	0.11	26.01	17.84	0.11	21.28	15.84	0.11	15.93	13.71	0.11
	62	27.55	22.54	0.11	23.79	20.71	0.11	19.86	18.91	0.11	16.99	16.99	0.17	14.38	14.38	0.30
900	72	42.69	21.21	0.09	39.17	19.65	0.10	35.06	17.92	0.11	30.32	16.01	0.11	24.84	13.91	0.12
	67	35.86	22.91	0.12	32.09	21.16	0.12	27.75	19.24	0.12	22.73	17.13	0.12	17.05	14.89	0.12
	62	29.39	24.36	0.12	25.42	22.44	0.12	21.37	20.58	0.12	18.44	18.44	0.20	15.62	15.62	0.32
SATURATED TEMPERATURE LEAVING EVAPORATOR (deg F)																
INDOOR COIL AIR		35			40			45			50			55		
CFM	EWB	TC	SHC	BF	TC	SHC	BF	TC	SHC	BF	TC	SHC	BF	TC	SHC	BF
FM(C,U)4(X,Z)3000AL																
875	72	43.25	21.49	0.03	39.50	19.74	0.06	35.30	17.88	0.06	30.45	15.85	0.07	24.89	13.66	0.07
	67	36.06	22.72	0.08	32.19	20.84	0.08	27.76	18.80	0.08	22.68	16.60	0.08	16.92	14.27	0.08
	62	29.39	23.75	0.08	25.33	21.71	0.08	20.93	19.65	0.08	17.49	17.49	0.13	14.78	14.78	0.26
1000	72	46.56	23.14	0.05	42.58	21.32	0.07	38.10	19.36	0.08	32.92	17.23	0.09	26.93	14.89	0.09
	67	38.91	24.68	0.09	34.80	22.72	0.09	30.04	20.56	0.09	24.57	18.21	0.09	18.36	15.72	0.09
	62	31.78	26.00	0.09	27.44	23.85	0.09	22.80	21.69	0.09	19.32	19.32	0.15	16.33	16.33	0.28
1125	72	49.47	24.61	0.08	45.31	22.74	0.09	40.58	20.72	0.10	35.11	18.48	0.10	28.77	16.03	0.10
	67	41.45	26.48	0.11	37.10	24.44	0.11	32.08	22.19	0.11	26.27	19.72	0.11	19.67	17.09	0.11
	62	33.93	28.10	0.11	29.33	25.84	0.11	24.54	23.64	0.11	21.04	21.04	0.18	17.79	17.79	0.30
SATURATED TEMPERATURE LEAVING EVAPORATOR (deg F)																
INDOOR COIL AIR		35			40			45			50			55		
CFM	EWB	TC	SHC	BF	TC	SHC	BF	TC	SHC	BF	TC	SHC	BF	TC	SHC	BF
FM(C,U)4(X,Z)3600AL																
1050	72	50.80	24.99	0.06	46.48	23.05	0.08	41.61	20.96	0.09	35.97	18.67	0.09	29.45	16.17	0.09
	67	42.50	26.75	0.10	38.02	24.65	0.10	32.84	22.34	0.10	26.88	19.82	0.10	20.10	17.13	0.10
	62	34.75	28.27	0.10	30.01	25.95	0.10	25.00	23.66	0.10	21.30	21.30	0.16	18.00	18.00	0.29
1200	72	54.31	26.77	0.09	49.78	24.77	0.10	44.61	22.60	0.11	38.62	20.20	0.11	31.67	17.55	0.11
	67	45.56	28.94	0.12	40.81	26.75	0.12	35.32	24.32	0.12	28.94	21.66	0.12	21.70	18.81	0.12
	62	37.34	30.82	0.12	32.32	28.41	0.12	27.16	26.06	0.12	23.43	23.43	0.19	19.81	19.81	0.32
1350	72	57.64	28.49	0.11	52.87	26.43	0.11	47.45	24.18	0.12	41.12	21.68	0.12	33.79	18.92	0.12
	67	48.46	31.08	0.13	43.46	28.81	0.13	37.67	26.29	0.13	30.92	23.49	0.13	23.27	20.51	0.13
	62	39.80	33.36	0.13	34.58	30.89	0.13	29.26	28.42	0.13	25.42	25.42	0.22	21.51	21.51	0.34

PERFORMANCE DATA (cont.)

SENSIBLE CAPACITY (SHC) CORRECTION FACTOR

BYPASS FACTOR	ENTERING AIR DRY-BULB TEMPERATURE (°F)					
	79	78	77	76	75	Under 75
	81	82	83	84	85	Over 85
	ENTERING AIR DRY-BULB TEMPERATURE (°C)					
	26	25	25	24	24	Under 75
	27	28	28	29	29	Over 85
Correction Factor						
0.10	.098	1.96	2.94	3.92	4.91	Use formula shown below
0.20	0.87	1.74	2.62	3.49	4.36	
0.30	0.76	1.53	2.29	3.05	3.82	

Interpolation is permissible.

$$\text{Correction Factor} = 1.09 \times (1 - \text{BF}) \times (\text{db} - 80)$$

NOTES:

1. Contact manufacturer for cooling capacities at conditions other than shown in table.
2. Formulas:
 Leaving db = entering db $-\frac{\text{sensible heat cap.}}{1.09 \times \text{CFM}}$
 Leaving wb = wb corresponding to enthalpy of air leaving coil (h_{lwb})
 $h_{lwb} = h_{ewb} - \frac{\text{total capacity (Btuh)}}{4.5 \times \text{CFM}}$
 where h_{ewb} = enthalpy of air entering coil. Direct interpolation is permissible. Do not extrapolate.
3. SHC is based on 80°F (27°C) db temperature of air entering coil. Below 80°F (27°C) db, subtract (Correction Factor x CFM) from SHC. Above 80°F (27°C) db, add (Correction Factor x CFM) to SHC.
4. Bypass Factor = 0 indicates no psychometric solution. Use bypass factor of next lower EWB for approximation.

ESTIMATED SOUND POWER LEVEL (dBA)

PSC ESTIMATED SOUND PRESSURE LEVEL					
Unit Size		18K	24K	30K	36K
Indoor sound pressure level	dBA High	54	54	62.5	62.5
ESTIMATED SOUND POWER	W High	66	66	74.5	74.5

SOUND PRESSURE DATA									
UNIT SIZE	CONDITIONS		OCTAVE BAND CENTER FREQUENCY						
	CFM	Ext Static Pressure	63	125	250	500	1000	2000	4000
18	600	0.18	49.1	51.8	45.1	47.1	48.8	45.7	42.7
24	800	0.18	49.1	51.8	45.1	47.1	48.8	45.7	42.7
30	1000	0.24	66.3	57.3	60.0	61.8	55.2	52.7	49.6
36	1200	0.24	66.3	57.3	60.0	61.8	55.2	52.7	49.6

ECM ESTIMATED SOUND PRESSURE LEVEL					
Unit Size		18K	24K	30K	36K
Indoor sound pressure level	dBA High	54	54	62.5	62.5
ESTIMATED SOUND POWER	W High	66	66	74.5	74.5

SOUND PRESSURE DATA									
UNIT SIZE	CONDITIONS		OCTAVE BAND CENTER FREQUENCY						
	CFM	Ext Static Pressure	63	125	250	500	1000	2000	4000
18	600	0.18	49.1	51.8	45.1	47.1	48.8	45.7	42.7
24	800	0.18	49.1	51.8	45.1	47.1	48.8	45.7	42.7
30	1000	0.24	66.3	57.3	60.0	61.8	55.2	52.7	49.6
36	1200	0.24	66.3	57.3	60.0	61.8	55.2	52.7	49.6

* Estimated sound power levels have been derived using the method described in the 1987 ASHRAE HVAC Systems & Applications Handbook, Chapter 52, p. 52.7.

PERFORMANCE DATA (cont.)

OPTIONAL FIELD-INSTALLED ELECTRIC HEAT PACKAGES

HEATER PART NUMBER WITH TDR	SIZES USED WITH	NOMINAL kw @ 240V	HEATER VOLTS-PHASE (60 Hz)	HEATER CAPACITY (MBH)		MIN. CIRCUIT AMPACITY		MAX. FUSE OR BREAKER (HACR) AMPACITY		APPROX. SHIP WGT. LBS. (kg)
				208	240	208	240	208	240	
EHK303B	All	3	208/240-1	7.7	10.2	15.8	17.9	20	20	10 (4.5)
EHK305B	All	5	208/240-1	12.8	17.1	24.9	28.3	30	30	10 (4.5)
EHK306B	All	6	208/240-1	15.4	20.5	29.4	33.5	35	35	10 (4.5)
EHK308B	All	7.5	208/240-1	19.3	25.7	36.1	41.4	50	50	10 (4.5)
EHK310B	All	10	208/240-1	24.7	32.8	45.5	52.3	60	60	10 (4.5)

OTHER ACCESSORIES

Kit Number	Description	Used on sizes
EHK305B	5 KW 240V Elect. Heat Kit	18, 24, 30, 36
EHK308B	7.5 KW 240V Elect. Heat Kit	18, 24, 30, 36
EHK310B	10 KW 240V Elect. Heat Kit	18, 24, 30, 36
NASA00101CC	Solid Access Panel, Small	18, 24
NASA00101GF	Louvered Access Panel with Filter Rack, Small	18, 24
NASA00201CC	Solid Access Panel, Large	30, 36
NASA00201GF	Louvered Access Panel with Filter Rack, Large	30, 36
NAEA20101TX	TXV Kit R-22	18, 24, 30, 36
NAEA40501TX	TXV Kit R-410A	18, 24, 30
NAEA40601TX	TXV Kit R-410A	36

