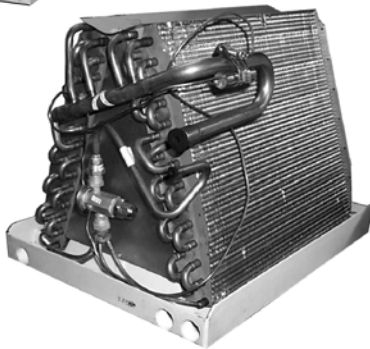


Models
 EEA, EED, EPA, EPD,
 EPM, EPP, EXA, EXD,
 EHP, EXM, & HSC

Comfortmaker®

Air Conditioning & Heating



Representative photo only, some models may vary in appearance.



Rated in accordance with ARI Standard 210. Certification applies only when used with proper components as listed with ARI.



1½ THRU 5 TON COILS

FEATURES

- Copper Tube/ Lanced Aluminum Fin Coil
- Three Primary Condensate Drain Connections
- Field Selectable Secondary Drain Location
- Polymer Thermoset Drain Pan (Except 5 Ton EXM/EPM Horizontal Pan)
- Sweat Connect
- Dry Air Holding Charge

UNCASED Models "A" Coils

- Upflow/Downflow Applications
- EEA, EPA Coils Feature Orifice Pin Refrigerant Metering
- EXA Coils Have Thermostatic Expansion Valves
- Thermostatic Expansion Valve Kit Available for Orifice Pin Coils
- Designed To Match EF Electric Furnaces
- EPP has Extra Length Refrigerant Tubing Stubs
- EPP Designed To fit inside Gas Furnace plenum flanges of 19-1/2" or wider furnace for Upflow Applications.

ORIFICE PIN Models "Cased Coils"

- EED - Entry Level Upflow / Downflow
- EPD - Upflow / Downflow
- EPM - Upflow / Downflow / Horizontal
- Orifice Pin Refrigerant Metering
- Upflow Cabinet Widths and Horizontal Cabinet Depths are Matched to 40" & 48" Gas Furnaces
- Cabinet Contains an "Uncased" Type Coil for Rating Purposes
- Internally Lined with Glass Fiber Insulation
- Painted Steel Cabinet
- Removable Front Access Panel

EXPANSION VALVE Models "Cased Coils"

- EXD - Upflow / Downflow
- EXM - Upflow / Downflow / Horizontal
- Thermostatic Expansion Valve Refrigerant Metering
- Upflow Cabinet Widths and Horizontal Cabinet Depths are Matched to 40" & 48" Gas Furnaces
- Cabinet Contains an "Uncased" Type Coil for Rating Purposes
- Internally Lined with Glass Fiber Insulation
- Prepainted Steel Cabinet
- Removable Front Access Panel

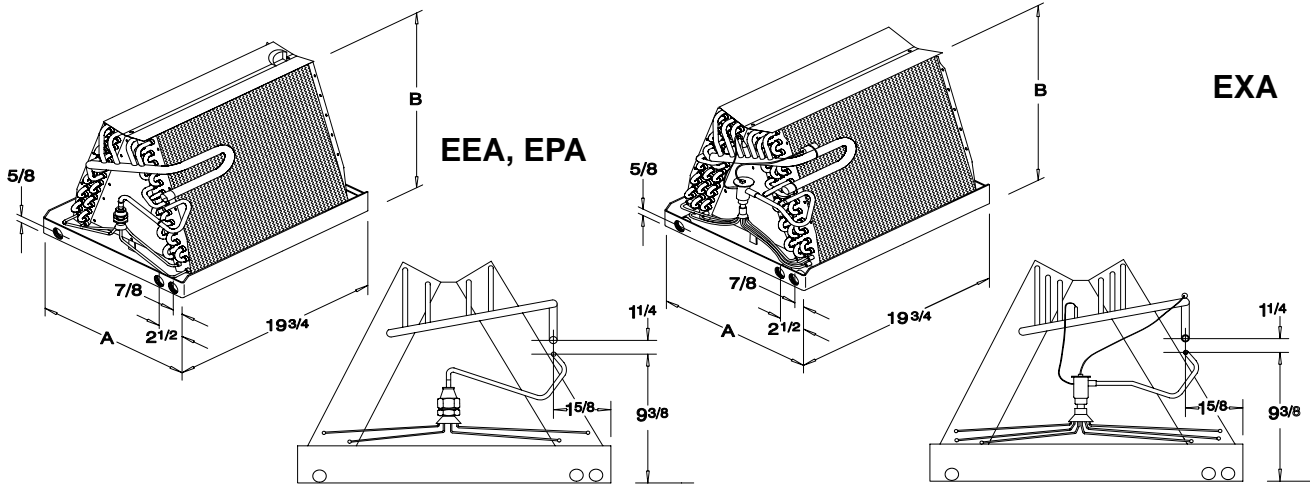
Slab Coils

- Horizontal Bi-Directional Airflow Applications
- Refrigerant Flow Control Device
- Galvanized G-90 Steel Cabinet
- Cabinet Internally Lined with Glass Fiber Insulation
- Coated One Piece Galvanized Steel Drain Pan

International Comfort Products Corporation, LLC
 651 Heil-Quaker Ave.
 Lewisburg, Tennessee 37091

RESIDENTIAL AND COMMERCIAL SYSTEMS • SPLIT SYSTEMS • PACKAGED AIR CONDITIONERS •
 COMBINATION GAS / ELECTRIC UNITS • HEAT PUMPS • AIR HANDLERS • MANUFACTURED HOME AIR
 CONDITIONERS • GAS, OIL AND ELECTRIC FURNACES

DIMENSIONS - "A" COILS



"A" COILS, EEA, EPA & EXA

Model No.	Dimensions (inches)		Weights		Refrigerant Control	Connection Sweat	
	A	B	Net	Shpg.		Liq.	Suc.
EEA24B15A (1)	14-3/4	10-1/2 (13-1/2) (1)	14	18	.055	3/8	3/4
EEA30B15A	14-3/4	14-1/2	17	21	.063	3/8	3/4
EEA36B15A	14-3/4	16-1/2	19	23	.067	3/8	3/4
EEA36F19A	18-1/8	16-1/8	22	26	.067	3/8	3/4
EEA42F19A	18-1/8	18-5/8	26	30	.078	3/8	3/4
EEA48F19A	18-1/8	18-1/2	30	34	.079	3/8	1/8
EEA60J22A	21-7/8	21-7/8	40	48	.090	3/8	1/8
EPA18B15A (1)	14-3/4	10-1/2 (13-1/2) (1)	14	18	.051	3/8	3/4
EPA24B15A	14-3/4	14-1/2	17	21	.057	3/8	3/4
EPA24F19A	18-1/8	14-1/2	26	30	.057	3/8	3/4
EXA24B15A	14-3/4	14-1/2	20	25	TXV	3/8	3/4
EXA24F19A	18-1/8	14-1/2	26	30	TXV	3/8	3/4
EPA30B15A	14-3/4	16-1/2	19	23	.065	3/8	3/4
EPA30F19A	18-1/8	16-1/8	22	26	.065	3/8	3/4
EPA36B15A	14-3/4	18-5/8	23	27	.073	3/8	3/4
EPA36F19A	18-1/8	18-5/8	26	30	.073	3/8	3/4
EPA36J22A	21-7/8	18	30	34	.073	3/8	3/4
EXA36B15A	14-3/4	18-7/8	28	32	TXV	3/8	3/4
EXA36F19A	18-1/8	18-1/2	31	35	TXV	3/8	3/4
EXA36J22A	21-7/8	17-1/2	32	37	TXV	3/8	3/4
EPA42F19A	18-1/8	18-1/2	30	34	.078	3/8	1/8
EPA42J22A	21-7/8	18	35	40	.078	3/8	1/8
EXA42F19A	18-1/8	22-1/2	31	35	TXV	3/8	1/8
EXA42J22A	21-7/8	22-1/4	38	44	TXV	3/8	1/8
EPA48F19A	18-1/8	20-1/2	33	39	.079	3/8	1/8
EPA48J22A	21-7/8	21-7/8	40	48	.079	3/8	1/8
EPA48N26A	25-1/2	21-7/8	46	53	.079	3/8	1/8
EPA48L24A	23-1/2	22-1/4	46	53	.079	3/8	1/8
EXA48J22A	21-7/8	26-1/4	39	45	TXV	3/8	1/8
EXA48N26A	25-1/2	26	48	55	TXV	3/8	1/8
EXA48L24A	23-1/2	26-3/8	48	55	TXV	3/8	1/8
EPA60J22A	21-7/8	26-1/4	43	50	.092	3/8	1/8
EPA60N26A	25-1/2	26	43	50	.092	3/8	1/8
EPA60L24A	23-1/2	26-1/2	43	50	.092	3/8	1/8
EXA60N26A	25-1/2	26	59	68	TXV	3/8	1/8
EXA60L24A	23-1/2	26-1/2	59	68	TXV	3/8	1/8

NOTE: (1) EPA18B15A, EEA24B15A have a manifold height of 13 1/2 and they will not fit EF Series electric furnaces.

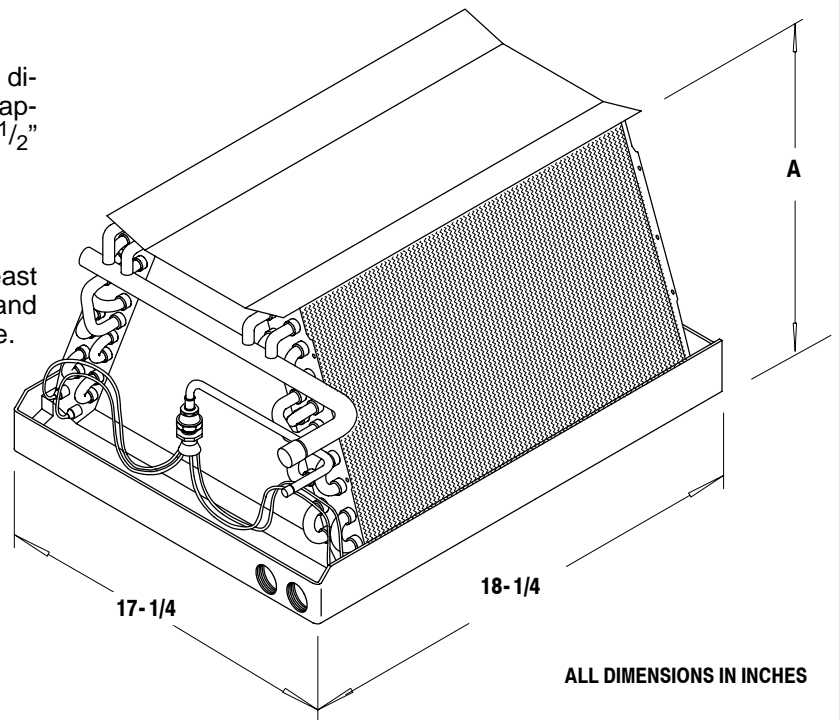
DIMENSIONS - EPP "A" COILS

Application Notes:

The plenum coils are designed to be installed directly into the furnace plenum on an upflow application **ONLY**. Minimum plenum size is 18^{-1/2}" deep by 17^{-5/8}" wide.

Minimum Clearances

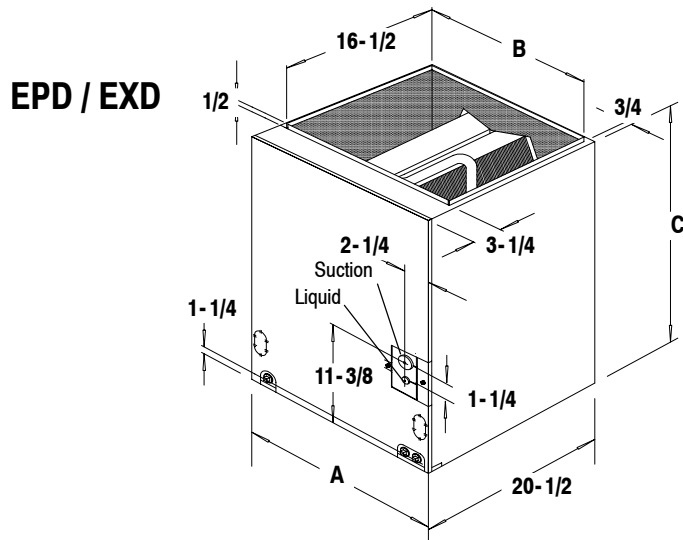
Coils must be installed so the drain pan is at least 2" above the heat exchanger on a gas furnace and 5" above the heat exchanger for an oil furnace.



"A" COILS, EPP

Model No.	Dimensions (inches)	Weights		Refrigerant Control	Connection Sweat	
	A	Net	Shpg.		Liq.	Suc.
EPP024D17A	10-3/4	15	19	.059	3/8	3/4
EPP030D17A	14-1/4	22	26	.065	3/8	3/4
EPP036D17A	16-1/4	26	30	.072	3/8	3/4

DIMENSIONS - DUAL PURPOSE UPFLOW / DOWNFLOW "EPD / EXD" COILS



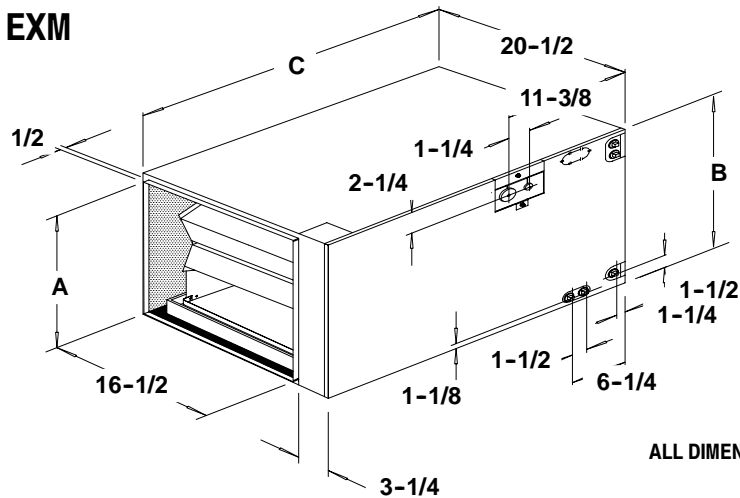
ALL DIMENSIONS IN INCHES

Model No.	Dimensions (Inches)			Weights		Refrigerant Control	Connection	
	A	B	C	Net	Shpg.		Liq. O.D.	Suc. O.D.
EPD18B15C	15-1/2	14	15	19	23	.051	3/8	3/4
EPD24B15C	15-1/2	14	18	27	31	.057	3/8	3/4
EXD24B15C	15-1/2	14	18	33	37	TXV	3/8	3/4
EXD24F19C	19-1/8	17-5/8	18	35	39	TXV	3/8	3/4
EPD24F19C	19-1/8	17-5/8	18	34	38	.057	3/8	3/4
EPD30B15C	15-1/2	14	18	29	33	.065	3/8	3/4
EPD30F19C	19-1/8	17-5/8	18	34	38	.065	3/8	3/4
EPD36B15C	15-1/2	14	20	33	37	.073	3/8	3/4
EPD36F19C	19-1/8	17-5/8	20	39	43	.073	3/8	3/4
EPD36J22C	22-3/4	21-1/4	24	44	48	.073	3/8	3/4
EXD36B15C	15-1/2	14	20	35	39	TXV	3/8	3/4
EXD36F19C	19-1/8	17-5/8	20	38	42	TXV	3/8	3/4
EPD42F19C	19-1/8	17-5/8	20	45	49	.078	3/8	7/8
EPD42J22C	22-3/4	21-1/4	24	50	54	.078	3/8	7/8
EXD42F19C	19-1/8	17-5/8	30	40	45	TXV	3/8	7/8
EXD42J22C	22-3/4	21-1/4	24	43	48	TXV	3/8	7/8
EPD48F19C	19-1/8	17-5/8	20	47	52	.079	3/8	7/8
EPD48J22C	22-3/4	21-1/4	24	56	62	.079	3/8	7/8
EPD48L24C	24-1/2	22-7/8	24	56	62	.079	3/8	7/8
EPD48N26C	26 3/8	24-7/8	24	56	62	.079	3/8	7/8
EXD48J22C	22-3/4	21-1/4	29-3/4	50	58	TXV	3/8	7/8
EXD48L24C	24-1/2	22-7/8	28	60	67	TXV	3/8	7/8
EXD48N26C	26 3/8	24-7/8	28	78	85	TXV	3/8	7/8
EPD60J22C	22-3/4	21-1/4	30	63	70	.092	3/8	7/8
EPD60N26C	26 3/8	24-7/8	28	78	85	.092	3/8	7/8
EPD60L24C	24-1/2	22-7/8	28	80	89	.092	3/8	7/8
EXD60N26C	26 3/8	24-7/8	30	82	91	TXV	3/8	7/8
EXD60L24C	24-1/2	22-7/8	30	80	89	TXV	3/8	7/8

(1) Orifice Pin shown is installed at the time of manufacture.

DIMENSIONS - CASED HORIZONTAL COILS - EPM / EXM

EPM / EXM



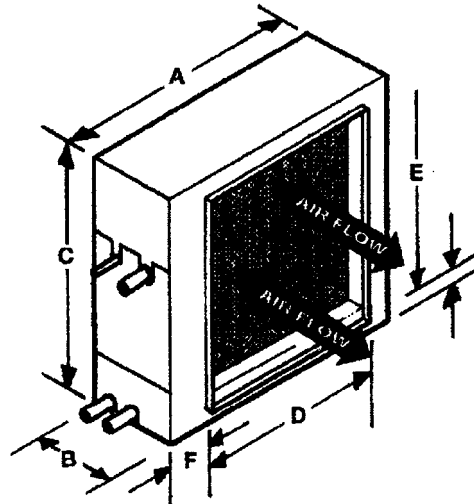
ALL DIMENSIONS IN INCHES

Model No.	Dimensions (Inches)			Weights		Refrigerant Control	Connection	
	A	B	C	Net	Shpg.		Sweat	
							Liq.	Suc.
EPM24B15C	14	15-1/2	22	27	31	.057	3/8	3/4
EXM24B15C	14	15-1/2	22	33	37	TXV	3/8	3/4
EXM24F19C	17-5/8	19-1/8	22	33	37	TXV	3/8	3/4
EPM30B15C	14	15-1/2	22	29	33	.065	3/8	3/4
EPM30F19C	17-5/8	19-1/8	22	33	37	.065	3/8	3/4
EPM36B15C	14	15-1/2	22	33	37	.073	3/8	3/4
EPM36F19C	17-5/8	19-1/8	22	39	43	.073	3/8	3/4
EPM36J22C	21-1/4	22-3/4	22	38	42	.073	3/8	3/4
EXM36F19C	17-5/8	19-1/8	22	38	42	TXV	3/8	3/4
EXM36J22C	21-1/4	22-3/4	24	39	43	TXV	3/8	3/4
EXM36B15C	14	15-1/2	22	40	44	TXV	3/8	3/4
EPM42F19C	17-5/8	19-1/8	22	45	49	.078	3/8	7/8
EPM42J22C	21-1/4	22-3/4	24	50	54	.078	3/8	7/8
EXM42F19C	17-5/8	19-1/8	30	41	45	TXV	3/8	7/8
EXM42J22C	21-1/4	22-3/4	30	43	48	TXV	3/8	7/8
EPM48F19C	17-5/8	19-1/8	30	47	52	.079	3/8	7/8
EPM48J22C	21-1/4	22-3/4	30	56	62	.079	3/8	7/8
EPM48L24C	22-7/8	24-1/2	30	65	71	.079	3/8	7/8
EPM48N26C	24-7/8	26-1/2	30	59	65	.079	3/8	7/8
EXM48J22C	21-1/4	22-3/4	30	47	52	TXV	3/8	7/8
EXM48L24C	22-7/8	24-1/2	30	65	71	TXV	3/8	7/8
EXM48N26C	24-7/8	26-1/2	30	78	85	TXV	3/8	7/8
EPM60J22C	21-1/4	22-3/4	33	63	70	.092	3/8	7/8
EPM60L24C	22-7/8	24-1/2	33	72	79	.092	3/8	7/8
EPM60N26C	24-7/8	26-1/2	33	78	85	.092	3/8	7/8
EXM60L24C	22-7/8	24-1/2	33	83	92	TXV	3/8	7/8
EXM60N26C	24-7/8	26-1/2	33	87	96	TXV	3/8	7/8

DIMENSIONS - HORIZONTAL SLAB COIL

HSC Series

Manufactured by:
Freedom Air
Ft. Worth, Texas

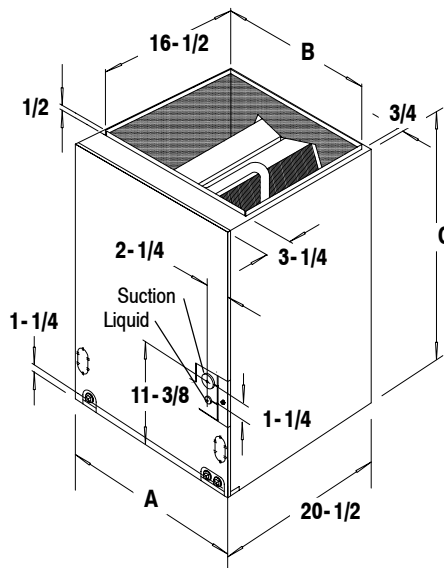


ALL DIMENSIONS IN INCHES

Model No.	Dimensions					Weights		Refrigerant Control	Connections "S"	
	A	B	C	D	E	Net	Shpg.		Liq.	Suc.
	Depth	Width	Height							
HSC2400A1	25-1/4	7	23-1/2	18-3/8	21	35	40	TXV	3/8"	3/4"
HSC3600A1	28-1/4	7	23-1/2	21-3/8	21	46	51	TXV	3/8"	3/4"
HSC4800A1	35	7	23-1/2	28-1/8	21	54	59	TXV	3/8"	7/8"
HSC6000A1	37-1/4	7	23-1/2	30-3/8	21	57	62	TXV	3/8"	7/8"

DIMENSIONS - ENTRY LEVEL CASED COIL

EED Series



Model No.	Dimensions (Inches)			Weights		Refrigerant Control	Connection	
	A	B	C	Net	Shpg		Liq.	Suc .
EED24B15C	15-1/2	14	15	19	23	.055	3/8	3/4
EED30B15C	15-1/2	14	18	27	31	.063	3/8	3/4
EED36B15C	15-1/2	14	18	29	33	.067	3/8	3/4
EED36F19C	19-1/8	17-5/8	18	34	38	.067	3/8	3/4
EED42F19C	19-1/8	17-5/8	20	39	43	.078	3/8	3/4
EED48F19C	19-1/8	17-5/8	20	45	49	.079	3/8	7/8
EED60J22C	22-3/4	21-1/4	24	56	62	.090	3/8	7/8

PERFORMANCE DATA (CFM vs DRY/WET STATIC @ INCHES WATER COLUMN)

Model No.	400		500		600		700		800		900		1000		1100		1200		1300		1400	
	Dry	Wet	Dry	Wet	Dry	Wet	Dry	Wet	Dry	Wet	Dry	Wet	Dry	Wet	Dry	Wet	Dry	Wet	Dry	Wet	Dry	Wet
EP(A,D)18B	.06	.08	.09	.12	.13	.16	.18	.20	.23	.26												
EP(A,D)24B,F					.11	.12	.14	.15	.18	.19	.23	.23	.27	.29								
EPM24B					.12	.13	.17	.18	.20	.22	.25	.28	.30	.34								
EPP24D			.14	.17	.18	.21	.23	.25	.28	.31	.33	.37										
EX(A,D)24B,F					.13	.16	.17	.20	.22	.26	.28	.33	.34	.40								
EXM24B,F					.15	.18	.20	.23	.26	.30	.32	.37	.38	.44								
EEA,EED24B15			.09	.12	.13	.16	.18	.20	.23	.26	.28	.32										
EAH5024 / 5524			.06	.13	.10	.17	.13	.20	.17	.24	.21	.28	.25	.32								
EHP2400A1					.12	.18	.15	.23	.19	.28	.23	.34										
EP(A,D)30B									.18	.22	.22	.27	.28	.33	.33	.39	.39	.46				
EPM30B									.20	.23	.26	.29	.30	.35	.36	.43	.42	.50				
EP(A,D)30F									.13	.17	.16	.20	.19	.24	.22	.28	.26	.33				
EPM30F									.14	.19	.17	.23	.20	.27	.24	.31	.28	.36				
EEA,EED30B15					.11	.12	.14	.15	.18	.19	.23	.23	.27	.29	.32	.35						
EPP030D					.12	.13	.15	.16	.19	.20	.24	.24	.28	.30								
EP(A,D)36B									.18	.20	.22	.24	.27	.30	.32	.37	.37	.44	.43	.50	.50	.59
EPM36B									.19	.22	.24	.29	.29	.34	.35	.40	.42	.47	.48	.55	.55	.63
EP(A,D)36F,J													.19	.21	.21	.24	.25	.28	.29	.33	.33	.37
EPM36F,J													.19	.23	.22	.27	.25	.31	.29	.35	.34	.40
EPP036D									.19	.23	.23	.28	.29	.34	.34	.40	.40	.47				
EX(A,D)36B											.22	.24	.27	.30	.32	.37	.37	.44	.43	.50		
EXM36B											.20	.23	.24	.28	.29	.33	.34	.39	.39	.44		
EX(A,D)36F											.18	.21	.21	.26	.25	.30	.29	.36	.34	.41		
EXM36F											.19	.22	.23	.27	.28	.32	.32	.37	.37	.42		
EX(A,D)36J													.14	.20	.16	.23	.18	.26	.21	.30	.21	.33
EXM36J													.16	.23	.19	.27	.22	.31	.25	.36	.29	.41
EEA,EED36B15									.18	.22	.22	.27	.28	.33	.33	.39	.39	.46				
EEA,EED36F19									.13	.17	.16	.20	.19	.24	.22	.28	.26	.33				
EAH5036 / 5536											.12	.16	.15	.19	.18	.22	.21	.25	.24	.28	.27	.31
EHP3600A1											.13	.19	.14	.22	.17	.25	.19	.30	.22	.33		
EEA,EED42F													.19	.21	.21	.24	.25	.28	.29	.33	.33	.37
EP(A,D)42F													.21	.27	.25	.32	.29	.37	.33	.43	.33	.49
EPM42F													.22	.27	.26	.33	.30	.38	.35	.44	.40	.50
EP(A,D)42J													.18	.23	.21	.27	.24	.31	.26	.35		
EPM42J													.18	.24	.20	.28	.24	.33	.26	.36		
EX(A,D)42F													.20	.24	.23	.28	.27	.33	.32	.37	.36	.42
EXM42F													.19	.24	.22	.29	.26	.33	.30	.38	.35	.43
EX(A,D)42J													.19	.23	.22	.27	.26	.31	.30	.35	.34	.40
EXM42J													.18	.23	.21	.27	.24	.31	.28	.36	.33	.41

PERFORMANCE DATA (CFM vs DRY/WET STATIC @ INCHES WATER COLUMN)

Model No.	1000		1100		1200		1300		1400		1500		1600		1700		1800		1900		2000	
	Dry	Wet	Dry	Wet	Dry	Wet	Dry	Wet	Dry	Wet	Dry	Wet	Dry	Wet	Dry	Wet	Dry	Wet	Dry	Wet	Dry	Wet
EP(A,D)48F			.20	.25	.23	.29	.27	.35	.32	.40	.36	.46	.41	.52	.47	.58						
EPM48F			.20	.25	.25	.30	.28	.36	.34	.41	.38	.49	.43	.53	.50	.60						
EP(A,D)48J					.21	.25	.24	.28	.28	.33	.31	.37	.35	.42	.38	.46						
EPM48J					.22	.27	.25	.32	.29	.36	.33	.40	.37	.45	.41	.51						
EP(A,D)48L					.18	.23	.20	.27	.23	.30	.26	.34	.29	.40	.32	.43						
EPM48L					.18	.23	.21	.28	.24	.31	.27	.35	.30	.39	.33	.44						
EP(A,D)48N					.17	.23	.20	.27	.23	.30	.26	.34	.28	.40	.32	.42						
EPM48N					.18	.23	.21	.28	.24	.31	.27	.35	.30	.39	.33	.44						
EX(A,D)48J					.19	.25	.24	.29	.26	.34	.31	.37	.33	.40								
EXM48J					.24	.27	.27	.30	.31	.35	.34	.39	.37	.44								
EX(A,D)48L					.18	.24	.23	.27	.24	.31	.29	.34	.30	.37								
EXM48L					.23	.26	.26	.29	.29	.33	.32	.37	.35	.41								
EX(A,D)48N					.17	.22	.20	.25	.22	.28	.25	.31	.27	.34								
EXM48N					.23	.26	.26	.29	.29	.33	.32	.37	.35	.41								
EEA,EED48F19	.21	.27	.25	.32	.29	.37	.33	.43	.33	.49												
EAH5048 / 5548					.11	.14	.12	.15	.14	.17	.15	.18	.17	.20	.19	.22	.21	.24	.22	.25	.24	.27
EHP4800A1					.15	.22	.18	.25	.20	.28	.22	.30	.24	.34								
EP(A,D)60J									.16	.19	.18	.21	.21	.26	.28	.29	.26	.34	.30	.38	.34	.43
EPM60J									.21	.25	.24	.29	.27	.33	.30	.37	.33	.41	.37	.46	.40	.51
EP(A,D)60L											.20	.24	.23	.28	.25	.31	.28	.35	.31	.38	.35	.43
EPM60L											.22	.26	.24	.30	.27	.33	.30	.37	.34	.41	.37	.46
EP(A,D)60N											.20	.24	.23	.28	.25	.31	.28	.35	.31	.38	.35	.43
EPM60N											.20	.24	.22	.28	.25	.31	.28	.35	.31	.38	.34	.42
EX(A,D)60L									.18	.23	.21	.26	.24	.30	.27	.34	.31	.38	.35	.43	.39	.48
EXM60L									.19	.24	.22	.27	.25	.31	.28	.35	.32	.39	.36	.44	.40	.49
EX(A,D)60N									.18	.22	.21	.25	.24	.29	.27	.34	.30	.38	.34	.42	.37	.47
EXM60N									.19	.24	.22	.27	.25	.31	.28	.35	.32	.39	.36	.44	.40	.49
EEA,EED60J22					.21	.25	.24	.28	.28	.33	.31	.37	.35	.42	.38	.46						
EAH5060 / 5560													.12	.16	.14	.18	.16	.20	.17	.21	.20	.24
EHP6000A1													.14	.22	.16	.24	.17	.26	.19	.28	.21	.33

MODEL NUMBER IDENTIFICATION GUIDE - A COILS

EVAPORATOR	E	P	A	36	B15	A	Revision Code
							Cabinet / Drain Pan Width
E = Entry Level Orifice Pin P = Orifice Pin X = TXV A = Loose Coil, No Cabinet D = Dual Purpose, Upflow / Downflow M = Multi Purpose, Upflow / Downflow / Horizontal P = Plenum Coil							B15 = 15 1/2" Cabinet / 14 3/4" Drain Pan F19 = 19 1/8" Cabinet / 18 1/8" Drain Pan J22 = 22 3/4" Cabinet / 21 7/8" Drain Pan L24 = 24 1/2" Cabinet / 14 1/2" Drain Pan N26 = 26 3/8" Cabinet / 25 1/2" Drain Pan
							Nominal Capacity
							18 = 1 1/2 Ton, 24 = 2 Ton, 30 = 3 1/2 Ton 36 = 3 Ton, 42 = 3 1/2 Ton, 48 = 4 Ton, 60 = 5 Ton

MODEL NUMBER IDENTIFICATION GUIDE - SLAB COILS

MODEL NUMBER	E	A	H	55	36	S	A	REVISION CODE
PRODUCT FAMILY								CONNECTIONS
E = Evaporator Coil								S = Sweat
PRODUCT TYPE								CAPACITY - BTU
A = A Slab Coil								036 = 36,000
COIL TYPE								Series 55 = 5500
H = Horizontal								

MODEL NUMBER IDENTIFICATION GUIDE - EHP SERIES

MODEL NUMBER	EH	P	2400	A	1 = ENGINEERING CODE
EH = Evaporator Horizontal					
METERING DEVICE					
P = Piston					
					CAPACITY MBTUH
					24 = 24,000
					36 = 36,000
					48 = 48,000
					60 = 60,000