



H8MPV

2-Stage Variable Speed 80

Flexibility

- 40" high, for more noise reduction and ease of installation.
- Factory shipped for natural gas, with LP gas conversion kits available.
- Four position - upflow/downflow/horizontal installation.
- Category I venting.
- Three position inducer capability.
- Common venting with water heater.

Service

- Self diagnostics.
- Entire blower assembly mounted on rails.

Quality

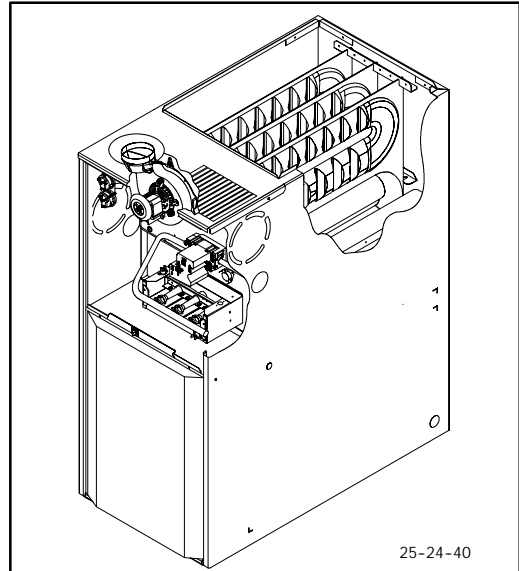
- RPJ3 Aluminized steel heat exchanger.
- 25 year limited warranty on heat exchangers and 5 years on parts.
- High temperature limit control prevents overheating.
- Hot surface pilot ignition device.
- Flame roll-out sensors standard.
- Louvered doors.
- One piece prepainted steel cabinet.
- Masonry chimney adapter available. (Some models)

Comfort

- Adjustable timed blower Off delay.
- Humidifier terminal
- Electronic air cleaner terminal.

Efficiency

- 80% AFUE efficiency range.
- Two stage gas valve operation.
- Two stage fan timer.
- Variable speed brushless DC motor.
- Induced draft blower.
- In-shot burners.



Representative drawing only, some models may vary in appearance.

WARNING

This furnace is not designed for use inside mobile homes, trailers, or recreational vehicles. Such use could result in property damage, bodily injury, and/or death.

UPFLOW/DOWNFLOW/HORIZONTAL (NATURAL GAS)

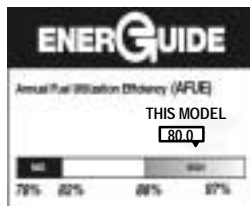
Model Number	Heat Exchangers #	Dimensions H x W x D (In.)	Price
H8MPV050B12A	25 year	40 x 15 ¹ / ₂ x 29	
H8MPV075F14A	25 year	40 x 19 ¹ / ₈ x 29	
H8MPV100J20A	25 year	40 x 22 ³ / ₄ x 29	
H8MPV125J20A	25 year	40 x 22 ³ / ₄ x 29	

25 YEAR LIMITED WARRANTY

PERFORMANCE DATA HEATING

Model Number	Input (MBTUH)	Efficiency AFUE	Cooling Cap. @ .5" W.C.
*8MPV050B12A	50,000	80%	1.5 - 3.0 TON
*8MPV075F14A	75,000	80%	1.5 - 3.5 TON
*8MPV100J20A	100,000	80%	2.5 - 5.0 TON
*8MPV125J20A	125,000	80%	3.0 - 5.0 TON

* Denotes Brand



FURNACE SPECIFICATIONSCE MULTI-POSITION

Model Number	NATURAL GAS	*8MPV050B12A	*8MPV075F14A	*8MPV100J20A	*8MPV125J20A
INPUT (btuh)	Hi Fire Lo Fire	50,000 35,000	75,000 52,500	100,000 70,000	125,000 87,500
HTG. CAP. (btuh)	Hi Fire Lo Fire	40,000 28,000	60,000 42,000	81,000 61,000	101,000 71,000
AFUE % (ICS)		80.0%	80.0%	80.0%	80.0%
CSE		73.0%	73.0%	73.0%	73.0%
NOx (Ng/J)		<40	<40	<40	<40
TEMP. RISE (deg. F)	Hi Fire Lo Fire	30 - 60 25 - 55	30 - 60 25 - 55	35 - 65 35 - 65	30 - 60 25 - 55
VOLTS/PH/Hz		115/60/1	115/60/1	115/60/1	115/60/1
RATING PLATE AMPS.		8.6	7.9	12.8	13.8
TRANSFORMER (V.A.)		40	40	40	40
GAS PIPE SIZE (IN.)		1/2	1/2	1/2	1/2
CATEGORY I VENT SIZE		4"	4"	4"	4"
COOLING CAP.		3.0 TON	3.5 TON	5.0 TON	5.0 TON
FILTER SIZE (IN.) (1 required)		14 x 25 x 1	14 x 25 x 1	16 x 25 x 1 (2)	16 x 25 x 1 (2)
SHIPPING WEIGHT (LBS.)		130	154	174	176
DIMENSIONS (in.) HEIGHT		40	40	40	40
WIDTH X DEPTH		15 ¹ / ₂ x 28 ¹ / ₂	19 ¹ / ₈ x 28 ¹ / ₂	22 ³ / ₄ x 28 ¹ / ₂	22 ³ / ₄ x 28 ¹ / ₂

ACCESSORIES

Model Number	Description	Used With Models
GAS CONVERSION KITS		
*1011789	Natural gas to LP (propane) conversion Kit. Allows field conversion to LP (propane) gas.	ALL *8MPV FURNACES
*1011787	LP (Propane) to natural gas conversion kit. Allows field conversion to natural gas. (Single Stage)	ALL *8MPV FURNACES
FILTER KITS		
NAHA001FF	External filter frame. 16" x 25"	Side Return (All Furnaces) Bottom Return (All "F" 19 ¹ / ₈ " Furnaces under 1650 CFM)
NAHA002FF	Bottom return filter frame kit 20" x 25".	(All "J" 22 ³ / ₄ " Furnaces)
NAHA003FF	Bottom or side return filter frame kit 14" x 25".	(All "B" 15 ¹ / ₂ " Furnaces)
NAHA004FF	Bottom return filter frame kit 25" x 25".	*8MPT125
NAHA001TK	Duct Standoff Filter Kit. To adapt 20" x 25" filter for single side return.	Side Return (All single return applications with 1650 CFM or greater) Bottom Return (All "F" 19 ¹ / ₈ " Furnaces under 1650 CFM)
COMBUSTIBLE FLOOR SUBBASES		
NAHH001SB	Subbase Furnace ONLY: All 15 ¹ / ₂ " wide furnace models	*8MPV050
NAHH002SB	Subbase Furnace ONLY: All 19 ¹ / ₄ " wide furnace models	*8MPV075-100
NAHH003SB	Subbase Furnace ONLY: All 22 ³ / ₄ " wide furnace models	*8MPV100-125
NAHH004SB	Subbase Furnace w/15 ¹ / ₂ " cased coil	Counterflow furnace *8MPV050
NAHH005SB	Subbase Furnace w/19 ¹ / ₄ " cased coil	Counterflow furnace *8MPV075-100
NAHH006SB	Subbase Furnace w/22 ³ / ₄ " cased coil	Counterflow furnace *8MPV100-125
MASONRY CHIMNEY ADAPTER		
NAHA001DH	Chimney adapter (6")	*8MPV075, 100
NAHA002DH	Chimney adapter (7")	*8MPV125
VENT GUARD		
NAHA002VC	Downflow vent guard	All downflow applications
COIL ADAPTER		
NAHA001CA	Coil Adapter for Downflow Furnaces	All Multi- Position Furnaces in the Downflow Application
WARNING LABEL REPLACEMENT KIT		
NAHL001WL	To replace Warning Labels, Operating Instructions & Wiring Labels on Blower Door when needed	*8MPV

* Fast part number

SPECIFICATIONS SUBJECT TO CHANGE WITHOUT NOTICE

Heating, Cooling & Continuous Airflow Settings

Continuous Blower (CFM) @ 0.10" Static

Cooling (CFM) @ 0.50" Static
(See Figure 1 - 3 for complete Airflow Range)

Switch Settings		Furnace Model		
#1	#2	50K	75K	100/125K
0*	0*	542	632	698
0	1	664	771	858
1	0	777	903	1032
1	1	911	1046	1174

*Factory Setting

Heating Air Temperature Adjustment (° F)*

Switch Settings			Furnace Model			
#3	#4	#5	50K	75K	100K	125K
0**	0**	0**	0	0	0	0
0	0	1	1	1	3	3
0	1	0	2	2	5	5
0	1	1	3	4	7	8
1	0	0	6	5	8	10
1	0	1	-3	-3	-5	-1
1	1	0	-5	-6	-8	-2
1	1	1	-7	-9	-12	-4

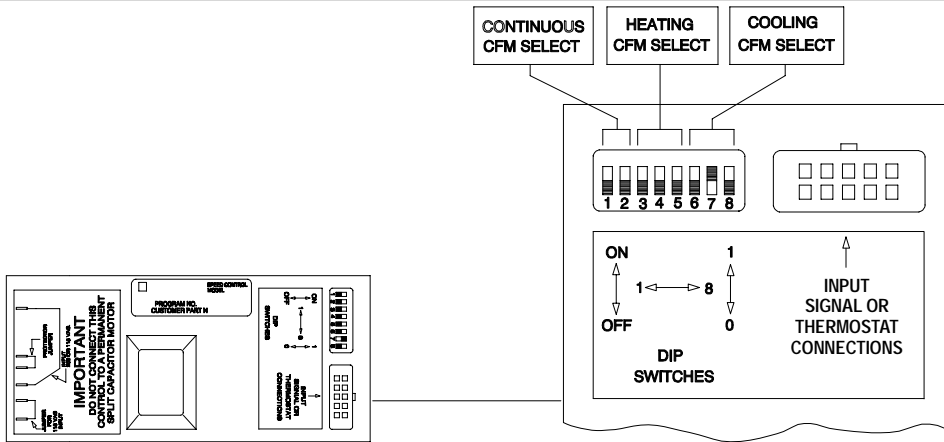
*Approximate air temperature change from factory setting @ 0.20" static on high heat (low heat speed changes with change of high heat speed on most settings)

**Factory setting

Switch Settings			Furnace Model		
#6	#7	#8	50K	75K	100/125K
0*	0*	0*	1167	1414	2169
0	0	1	1115	1306	2003
0	1	0	1000	1209	1806
0	1	1	907	1105	1601
1	0	0	810	1009	1408
1	0	1	760	907	1204
1	1	0	703	842	1006
1	1	1	656	816	813

*Factory setting

Blower Motor Settings



0 1 0

*EXAMPLE
Cooling Airflows Switches
6, 7 & 8:

- 000 3.5 Ton
- 001 3.0 Ton
- 010 2.5 Ton
- 011 2.0 Ton

*See "Technical Support Manual" for correct airflow rates.

25-23-10

Heating, Cooling & Continuous Airflow Settings

Figure 1

*8MPV050B12 COOLING

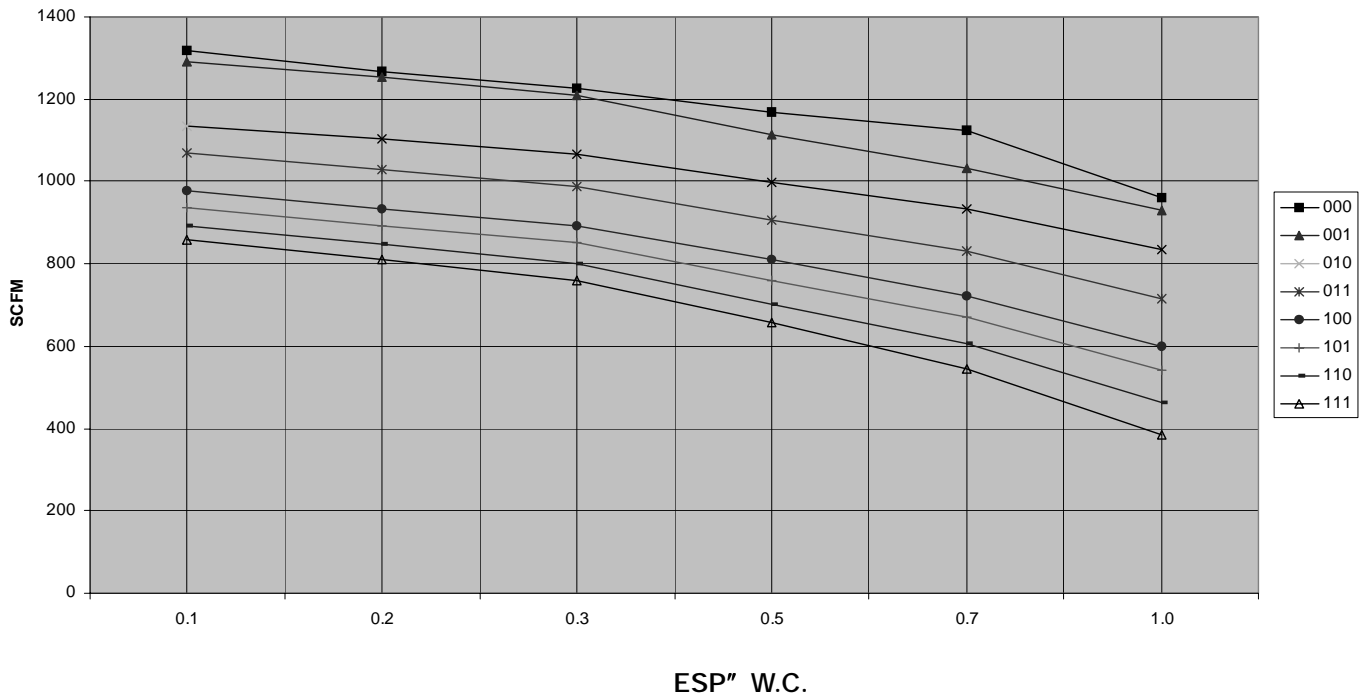
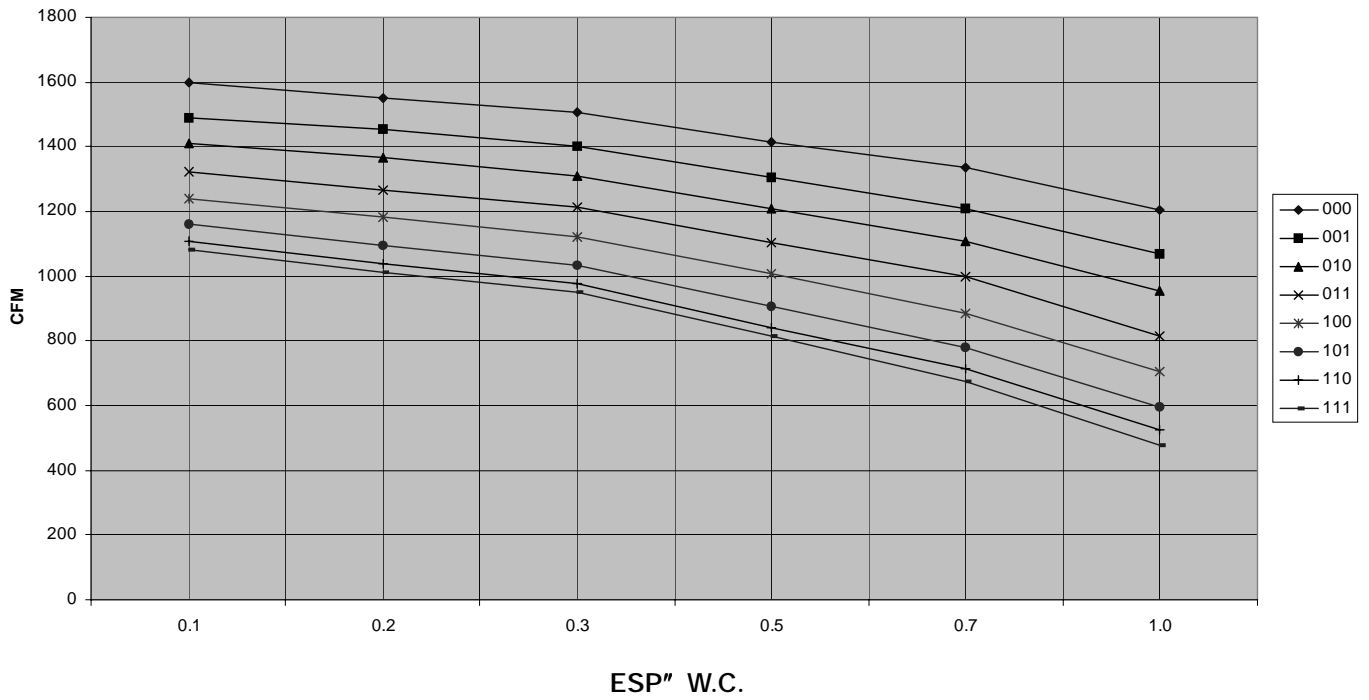


Figure 2

*8MPV075F14 COOLING



Heating, Cooling & Continuous Airflow Settings

Figure 3

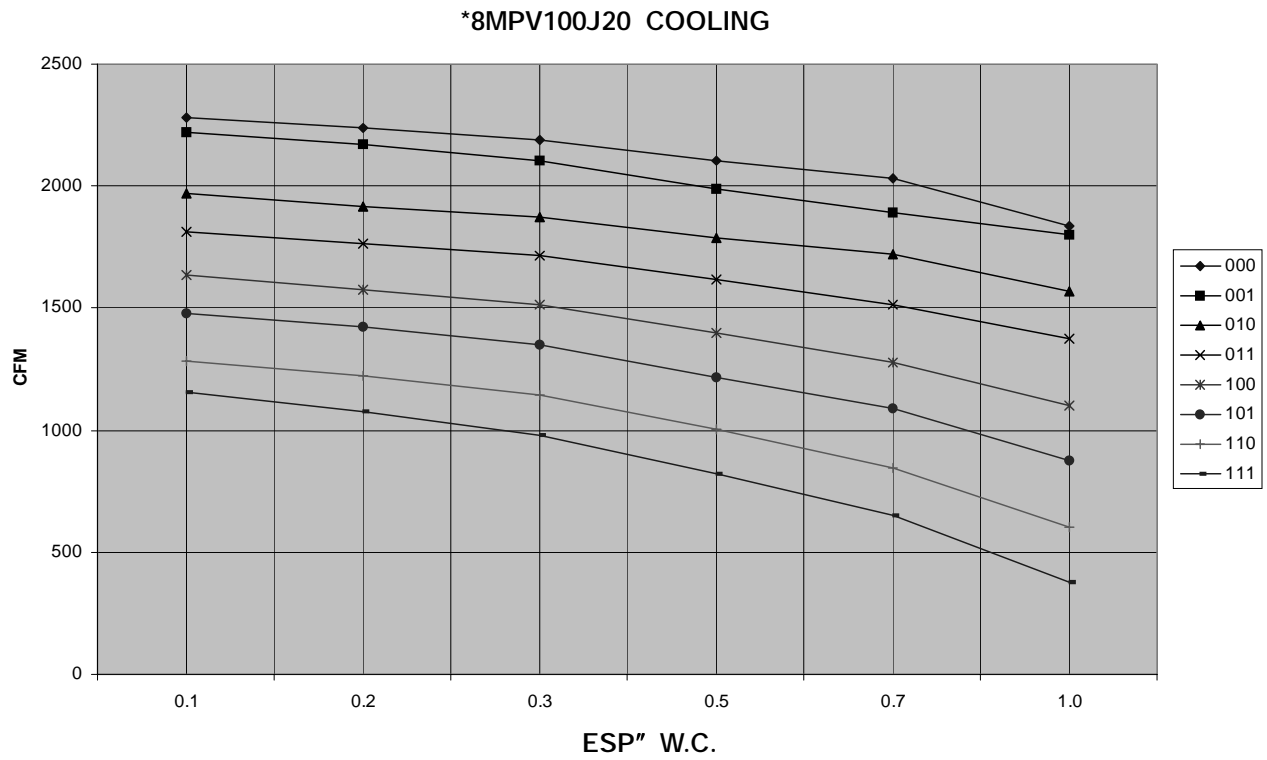
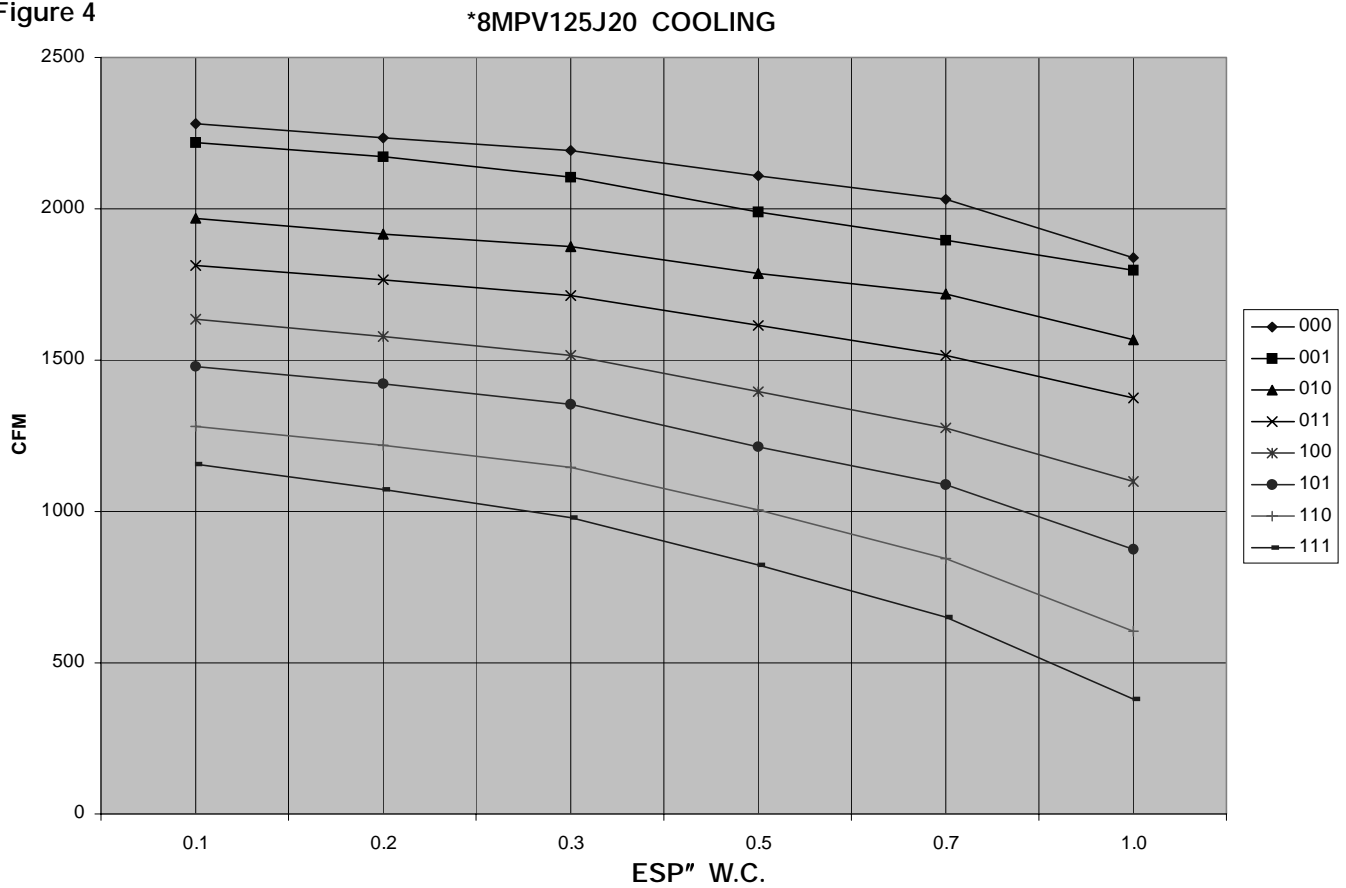
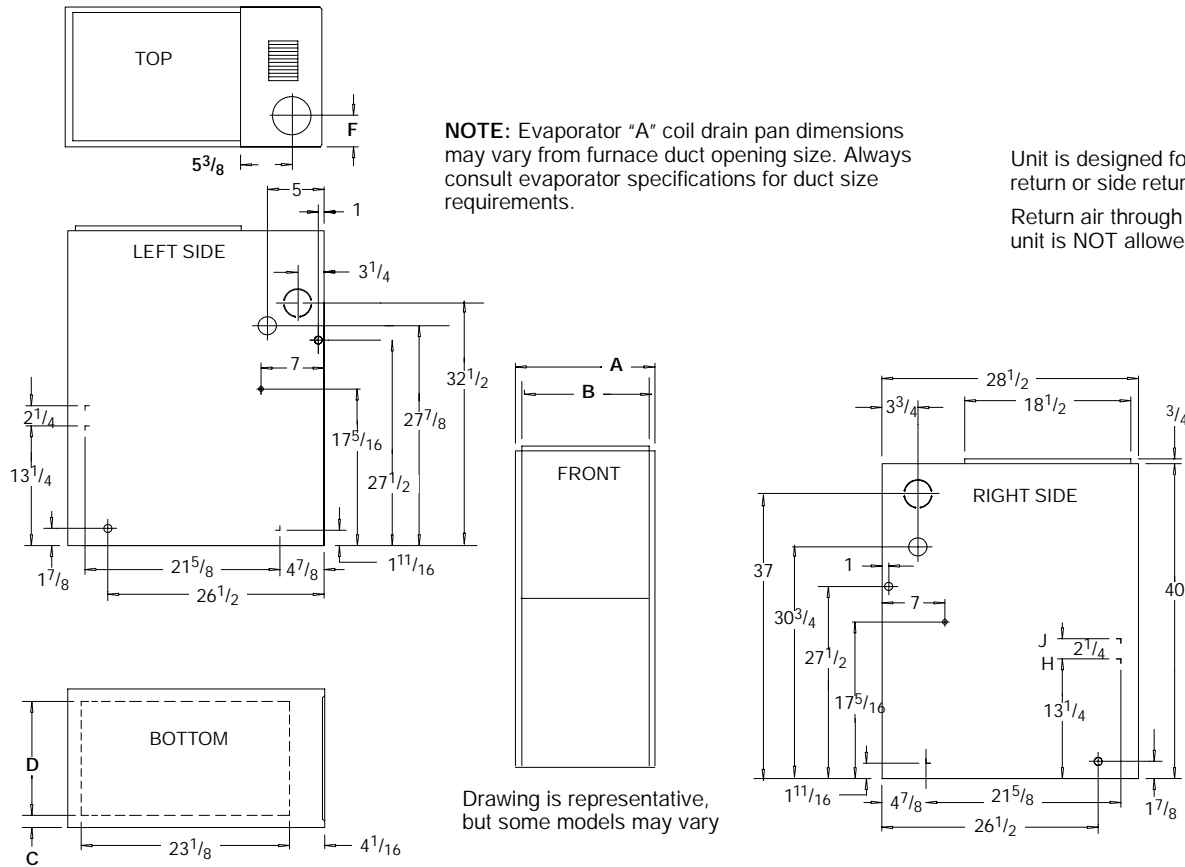


Figure 4



UNIT DIMENSIONS



25-23-44a

ALL DIMENSIONS IN INCHES

Unit Capacity	Cabinet		Top	Bottom		Duct Size
	A	B	F	C	D	
*8MPV050B12	15 ¹ / ₂	14	6	1 ³ / ₈	12 ⁵ / ₈	H
*8MPV075F14	19 ¹ / ₈	17 ¹ / ₂	7 ³ / ₄	2 ¹ / ₈	14 ³ / ₄	J
*8MPV100J20 *8MPV125J20	22 ³ / ₄	21 ¹ / ₄	9 ¹ / ₂	1 ¹⁵ / ₁₆	18 ³ / ₄	J

* Denotes Brand

MODEL NUMBER IDENTIFICATION GUIDE

<p>Brand</p> <p>Brand Efficiency</p> <p>8 = Non-Condensing, 80+% Gas Furnace 9 = Condensing, 90+% Gas Furnace</p> <p>Installation Configuration</p> <p>UP = Upflow DN = Downflow UH = Upflow/Horizontal HZ = Horizontal DH = Downflow/Horizontal MP = Multiposition, Upflow/Downflow/Horizontal</p> <p>Major Design Feature</p> <p>1 = One (Single) Pipe N = Single Stage 2 = Two Pipe P = PVC Vent D = 1 or 2 Pipe T = Two Stage L = Low NOx V = Variable Speed</p>	<p>*</p> <p>8</p> <p>MP</p> <p>V</p> <p>075</p> <p>B</p> <p>12</p> <p>A</p> <p>#</p>	<p>Engineering Rev.</p> <p>Denotes minor changes</p> <p>Marketing Digit</p> <p>Denotes minor change</p> <p>Cooling Airflow</p> <p>08 = 800 CFM 16 = 1600 CFM 12 = 1200 CFM 20 = 2000 CFM 14 = 1400 CFM</p> <p>Cabinet Width</p> <p>B = 15.5" Wide J = 22.8" Wide F = 19.1" Wide L = 24.5" Wide</p> <p>Input (Nominal MBTUH)</p>
--	---	--

* Denotes Brand

SPECIFICATIONS SUBJECT TO CHANGE WITHOUT NOTICE