

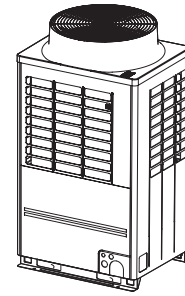
**SERVICE MANUAL**  
AIR-CONDITIONER (MULTI TYPE)

<SUPER HEAT RECOVERY MULTI-e>

Outdoor Unit

Model name:

---



**MMY-MAP0726FT9P-UL**

**MMY-MAP0966FT9P-UL**

**MMY-MAP1206FT9P-UL**

**MMY-MAP1446FT9P-UL**

**MMY-MAP1686FT9P-UL**

**Flow Selector Unit (FS unit)**

Model name:

**RBM-Y0383FUL**

**RBM-Y0611F4PUL**

**RBM-Y0613FUL**

**RBM-Y0611F6PUL**

**RBM-Y0963FUL**

**RBM-Y0384FUL**

**RBM-Y0614FUL**

**RBM-Y0964FUL**

# Contents

---

<b>PRECAUTIONS FOR SAFETY</b> .....	<b>5</b>
<b>Refrigerant (R410A)</b> .....	<b>12</b>
<b>1 Specifications</b> .....	<b>14</b>
<b>2 Wiring Diagrams</b> .....	<b>28</b>
2-1. Outdoor Unit. ....	28
2-2. Single port FS unit. ....	31
2-3. Multi port FS unit. ....	33
2-4. Single port FS unit (Long piping model). ....	36
<b>3 Parts Rating</b> .....	<b>39</b>
3-1. Outdoor Unit (280/230V model: MMY-MAP***6FT9P-UL) .....	39
3-2. Outdoor Inverter (280/230V model: MMY-MAP***6FT9P-UL) .....	40
3-3. Multi port FS unit (RBM-Y0611F4PUL, RBM-Y0611F6PUL). ....	41
3-4. Single port FS unit (Long piping model) (RBM-Y0384FUL, RBM-Y0614FUL, RBM-Y0964FUL) .....	41
3-5. Parts Layout in Outdoor Unit. ....	42
3-6. Parts Layout in Inverter Assembly .....	45
3-7. Outdoor (Inverter) Print Circuit Board .....	48
3-7-1. Interface P.C. board (MCC-1673) .....	48
3-7-2. Inverter P.C. board for compressor (MCC-1595) A3-IPDU .....	49
3-7-3. Inverter P.C. board for compressor (MCC-1687) A3-IPDU .....	50
3-7-4. Inverter P.C. board for fan motor (MCC-1610) FAN-IPDU .....	51
3-7-5. Noise Filer PC board (MCC-1608 -A, -B) .....	52
3-7-6. Noise Filer PC board (MCC-1680) .....	53
<b>4 Refrigerant Piping Systematic Drawing</b> .....	<b>54</b>
<b>5 Combined Refrigerant Piping System Schematic Diagrams</b> .....	<b>61</b>
5-1. All Cooling mode (Operation of cooling only) when outside temperature is high (Standard: 90°F or higher) .....	61
5-2. All Cooling mode (Operation of cooling only) when outside temperature is low (Standard: 50°F~ 90°F) / Defrost mode or lower) .....	62
5-3. All Cooling mode (Operation of cooling only) when outside temperature is low (Standard: 50°F or lower) .....	63
5-4. All Heating mode (Operation of heating only) .....	64
5-5. Mainly cooling mode) (Operating cooling function mainly, collective operation of cooling and heating operation) .....	65
5-6. Mainly heating mode) (Operating heating function mainly, collective operation of cooling and heating operation) .....	66
5-7. Emergency operation (All cooling operation at backup of the header unit) .....	67
5-8. Emergency operation (All heating operation at backup of the header unit) .....	68
5-9. Refrigerant recovery (during pump-down operation) of the troubled outdoor unit (In case of trouble of follower unit) .....	69
<b>6 Control Outline</b> .....	<b>70</b>
6-1. Indoor unit .....	70
6-2. Outdoor unit .....	76
<b>7 Applied Control for Outdoor Unit</b> .....	<b>85</b>
7-1. Applied control for Outdoor Unit .....	85
7-1-1. Outdoor Fan High Static Pressure Shift .....	85
7-1-2. Priority Operation Mode Setting .....	86

7-2.	Applied Control of Outdoor Unit . . . . .	88
7-2-1.	Power peak-cut Control (Standard) . . . . .	89
7-2-2.	Power peak-cut Control (Extended). . . . .	90
7-2-3.	Snowfall Fan Control . . . . .	91
7-2-4.	External master ON/OFF Control . . . . .	91
7-2-5.	Night operation (sound reduction) Control . . . . .	92
7-2-6.	Operation Mode Selection Control. . . . .	93
7-2-7.	Trouble/Operation Output . . . . .	94
7-2-8.	Compressor Operation Output. . . . .	95
7-2-9.	Operating Rate Output. . . . .	96
<b>8</b>	<b>TEST OPERATION . . . . .</b>	<b>97</b>
8-1.	Procedure and Summary of Test Operation . . . . .	97
8-2.	Check Items before Test Operation (before powering-on). . . . .	98
8-3.	Check at Main Power-on . . . . .	102
8-4.	Address Setup . . . . .	103
8-4-1.	Precautions . . . . .	103
8-4-2.	Address Setup and Check Procedure . . . . .	103
8-4-3.	Address Setup Procedure . . . . .	104
8-4-4.	Check after Address Setup when Central Control System Is Connected . . . . .	117
8-4-5.	Setting when connecting multiple indoor units to a FS (Flow Selector) unit . . . . .	118
8-4-6.	How to set up the cooling only indoor unit. . . . .	123
8-5.	Troubleshooting in Test Operation. . . . .	124
8-5-1.	A Check Code is Displayed on the Remote Controller . . . . .	124
8-5-2.	Operation from the indoor remote controller is not accepted, and a check code is displayed on the 7-segment display of the interface PC board of the header unit. . . . .	125
8-5-3.	There is no display of a check code on the 7-segment display on the interface PC board of the header unit, although there is indoor unit that is not accepting operation from the indoor remote controller. . . . .	125
8-5-4.	In checking the number of connected outdoor units and connected indoor units after address setup, a lower number of connected units is displayed. (There are outdoor/indoor units that do not operate in a test operation.) . . . . .	126
8-6.	Test Operation Check . . . . .	128
8-6-1.	Fan Check . . . . .	128
8-6-2.	Single cooling/Single heating Test Operation Check. . . . .	129
8-7.	Service Support Function. . . . .	132
8-7-1.	Check Function for Connecting of Refrigerant and Control Lines . . . . .	132
8-7-2.	Function to Start/Stop (ON/OFF) Indoor Unit from Outdoor Unit. . . . .	135
8-7-3.	Check Code Clearing Function . . . . .	141
8-7-4.	Remote Controller Distinction Function . . . . .	143
8-7-5.	Pulse Motor Valve (PMV) Forced Open/Close Function in Indoor Unit . . . . .	144
8-7-6.	Pulse Motor Valve (PMV) Forced Open Fully/Close fully Function in Outdoor Unit . . . . .	144
8-7-7.	Solenoid Valve Forced Open/Close Function in Outdoor Unit. . . . .	145
8-7-8.	Fan Operation Check in Outdoor Unit . . . . .	146
8-7-9.	Abnormal Outdoor Unit Discrimination Method By Fan Operating Function . . . . .	147
8-7-10.	Manual Adjustment Function of Outside Temperature (TO) Sensor . . . . .	148
8-7-11.	Refrigerant Leakage detection. . . . .	150
8-7-12.	Monitor Function of Remote Controller Switch . . . . .	151
8-8.	Additional EMC Measures. . . . .	153
8-9.	SMMS WAVE TOOL FOR SMARTPHONE. . . . .	154
8-9-1.	Prohibition/Permission of the NFC Setting . . . . .	154
8-9-2.	Confirmation for the generation of the trouble of the NFC. . . . .	155

<b>9</b>	<b>TROUBLESHOOTING</b>	<b>156</b>
9-1.	Overview	156
9-2.	Troubleshooting Method	157
9-3.	Troubleshooting Based on Information Displayed on Remote Controller	163
9-4.	Check Codes Displayed on Remote Controller and SHRM-e Outdoor Unit (7-Segment Display on I/F Board) and Locations to Be Checked	167
9-5.	Diagnosis procedure for each check code	184
9-6.	7-Segment Display Function	217
9-7.	Oil Level Judgment Display	223
9-8.	SHRM-e Outdoor Interface P.C. Board Function Setting Exchange Table	224
9-9.	Leakage/Clogging of Refrigerating Cycle Circuit	227
9-10.	Sensor Characteristics	236
9-11.	Pressure Sensor Output Check	239
<b>10</b>	<b>BACKUP OPERATION (EMERGENCY OPERATION)</b>	<b>241</b>
10-1.	Note for Backup Operation	241
10-2.	Compressor Backup Operation Setting	242
10-3.	Outdoor Unit Backup Operation Setting	246
10-3-1.	Follower outdoor unit backup operation setting (failure of follower outdoor unit)	246
10-3-2.	Header outdoor unit backup operation setting (failure of header outdoor unit)	248
<b>11</b>	<b>OUTDOOR UNIT REFRIGERANT RECOVERY METHOD</b>	<b>251</b>
11-1.	Refrigerant Recovery from Failed Outdoor Unit (Pump-Down)	251
11-1-1.	Note for refrigerant recovery operation	251
11-1-2.	Refrigerant recovery procedure A (Case of no outdoor unit backup operation setting)	251
11-1-3.	Refrigerant recovery procedure B (Case of outdoor unit backup operation setting)	254
11-2.	How to Operate System While Failed Outdoor Unit Being Repaired	256
11-3.	Work procedure after Repair	257
<b>12</b>	<b>REPLACING COMPRESSORS</b>	<b>258</b>
12-1.	Compressor Replacement Procedure (Outline)	258
12-2.	Replacement of Compressors	259
12-3.	Check Procedure to Search Cause of Compressor Oil Shortage	265
<b>13</b>	<b>OUTDOOR UNIT PARTS REPLACEMENT METHODS</b>	<b>269</b>
<b>14</b>	<b>P.C. BOARD EXCHANGE PROCEDURES</b>	<b>286</b>
14-1.	Replacement of Outdoor P.C. Boards	286
14-1-1.	List of service P.C. boards	287
14-1-2.	Configuration of inverter assembly	287
14-1-3.	Interface P.C. Board (MCC-1673) Replacement Procedure	289
14-1-4.	Comp-IPDU P.C. Board (MCC-1595) Replacement Procedure	290
14-1-5.	Comp-IPDU P.C. Board (MCC-1687 A, B & External Varistor Assembly) Replacement Procedure	292
14-1-6.	Fan-IPDU P.C. Board (MCC-1610) Replacement Procedure	298
14-1-7.	Noise Filter P.C. Board (MCC-1608 A, B) Replacement Procedure	300
14-1-8.	Noise Filter P.C. Board (MCC-1680 ) Replacement Procedure	302
<b>15</b>	<b>MULTI PORT FS UNIT PARTS REPLACEMENT METHODS</b>	<b>304</b>
<b>16</b>	<b>SINGLE PORT FS UNIT (LONG PIPING MODEL) PARTS REPLACEMENT METHOD</b>	<b>310</b>
<b>17</b>	<b>EXPLODED DIAGRAM/PARTS LIST</b>	<b>319</b>



### Definition of Qualified Installer or Qualified Service Person

The air conditioner must be installed, maintained, repaired and removed by a qualified installer or qualified service person. When any of these jobs is to be done, ask a qualified installer or qualified service person to do them for you.

### Definition of Protective Gear

When the air conditioner is to be transported, installed, maintained, repaired or removed, wear protective gloves and 'safety' work clothing.

In addition to such normal protective gear, wear the protective gear described below when undertaking the special work detailed in the table below.




Failure to wear the proper protective gear is dangerous because you will be more susceptible to injury, burns, electric shocks and other injuries.

Work undertaken	Protective gear to wear
All types of work	Protective gloves 'Safety' working clothing
Electrical-related work	Gloves to provide protection for electricians Insulating shoes Clothing to provide protection from electric shock
Work at heights (50 cm or more)	Helmets for use in industry
Transportation of heavy objects	Shoes with additional protective toe cap
Repair of outdoor unit	Gloves to provide protection for electricians

The important contents concerned to the safety are described on the product itself and on this Service Manual.




Please read this Service Manual after understanding the described items thoroughly in the following contents (Indications / Illustrated marks), and keep them.

#### [Explanation of indications]

Indication	Explanation
 <b>DANGER</b>	Indicates contents assumed that an imminent danger causing a death or serious injury of the repair engineers and the third parties when an incorrect work has been executed.
 <b>WARNING</b>	Indicates possibilities assumed that a danger causing a death or serious injury of the repair engineers, the third parties, and the users due to troubles of the product after work when an incorrect work has been executed.
 <b>CAUTION</b>	Indicates contents assumed that an injury or property damage (*) may be caused on the repair engineers, the third parties, and the users due to troubles of the product after work when an incorrect work has been executed.

\* Property damage: Enlarged damage concerned to property, furniture, and domestic animal / pet





#### [Explanation of illustrated marks]

Indication	Explanation
	Indicates prohibited items (Forbidden items to do) The sentences near an illustrated mark describe the concrete prohibited contents.
	Indicates mandatory items (Compulsory items to do) The sentences near an illustrated mark describe the concrete mandatory contents.
	Indicates cautions (Including danger / warning) The sentences or illustration near or in an illustrated mark describe the concrete cautious contents.





# PRECAUTIONS FOR SAFETY







The manufacturer shall not assume any liability for the damage caused by not observing the description of this manual.







## DANGER


 Turn off breaker	<p>Before carrying out the installation, maintenance, repair or removal work, be sure to set the circuit breaker for both the indoor and outdoor units to the OFF position. Otherwise, electric shocks may result.</p>
	<p>Before opening the intake grille of the indoor unit or service panel of the outdoor unit, set the circuit breaker to the OFF position.            Failure to set the circuit breaker to the OFF position may result in electric shocks through contact with the interior parts.            Only a qualified installer (*1) or qualified service person (*1) is allowed to remove the intake grille of the indoor unit or service panel of the outdoor unit and do the work required.</p>
	<p>Before starting to repair the outdoor unit fan or fan guard, be absolutely sure to set the circuit breaker to the OFF position, and place a "Work in progress" sign on the circuit breaker.</p>
	<p>When cleaning the filter or other parts of the indoor unit, set the circuit breaker to OFF without fail, and place a "Work in progress" sign near the circuit breaker before proceeding with the work.</p>
	<p>When you have noticed that some kind of trouble (such as when a check code display has appeared, there is a smell of burning, abnormal sounds are heard, the air conditioner fails to cool or heat or water is leaking) has occurred in the air conditioner, do not touch the air conditioner yourself but set the circuit breaker to the OFF position, and contact a qualified service person. Take steps to ensure that the power will not be turned on (by marking "out of service" near the circuit breaker, for instance) until qualified service person arrives. Continuing to use the air conditioner in the trouble status may cause mechanical problems to escalate or result in electric shocks or other failure.</p>
 Electric shock hazard	<p>When you access inside of the service panel to repair electric parts, wait for about five minutes after turning off the breaker. Do not start repairing immediately. Otherwise you may get electric shock by touching terminals of high-voltage capacitors. Natural discharge of the capacitor takes about five minutes.</p>
 Prohibition	<p>Place a "Work in progress" sign near the circuit breaker while the installation, maintenance, repair or removal work is being carried out.            There is a danger of electric shocks if the circuit breaker is set to ON by mistake.</p> <p>Before operating the air conditioner after having completed the work, check that the electrical parts box cover of the indoor unit and service panel of the outdoor unit are closed, and set the circuit breaker to the ON position.            You may receive an electric shock if the power is turned on without first conducting these checks.</p>
 Stay on protection	<p>If, in the course of carrying out repairs, it becomes absolutely necessary to check out the electrical parts with the electrical parts box cover of one or more of the indoor units and the service panel of the outdoor unit removed in order to find out exactly where the trouble lies, wear insulated heat-resistant gloves, insulated boots and insulated work overalls, and take care to avoid touching any live parts.            You may receive an electric shock if you fail to heed this warning. Only qualified service person (*1) is allowed to do this kind of work.</p>

 **WARNING**

	<p>Before starting to repair the air conditioner, read carefully through the Service Manual, and repair the air conditioner by following its instructions.</p> <p>Only qualified service person (*1) is allowed to repair the air conditioner. Repair of the air conditioner by unqualified person may give rise to a fire, electric shocks, injury, water leaks and / or other problems.</p> <p>Do not use any refrigerant different from the one specified for complement or replacement. Otherwise, abnormally high pressure may be generated in the refrigeration cycle, which may result in a failure or explosion of the product or an injury to your body.</p> <p>Only a qualified installer (*1) or qualified service person (*1) is allowed to carry out the electrical work of the air conditioner. Under no circumstances must this work be done by an unqualified individual since failure to carry out the work properly may result in electric shocks and / or electrical leaks.</p> <p>When transporting the air conditioner, wear shoes with protective toe caps, protective gloves and other protective clothing.</p> <p>Wear protective gloves and safety work clothing during installation, servicing and removal.</p> <p>When connecting the electrical wires, repairing the electrical parts or undertaking other electrical jobs, wear gloves to provide protection for electricians and from heat, insulating shoes and clothing to provide protection from electric shocks. Failure to wear this protective gear may result in electric shocks.</p> <p>Electrical wiring work shall be conducted according to law and regulation in the community and installation manual. Failure to do so may result in electrocution or short circuit.</p> <p>Only a qualified installer (*1) or qualified service person (*1) is allowed to undertake work at heights using a stand of 19.7" (50cm) or more or to remove the intake grille of the indoor unit to undertake work.</p>
<p> General</p>	<p>When working at heights, use a ladder which complies with the ISO 14122 standard, and follow the procedure in the ladder's instructions. Also wear a helmet for use in industry as protective gear to undertake the work.</p> <p>When working at heights, put a sign in place so that no-one will approach the work location, before proceeding with the work. Parts and other objects may fall from above, possibly injuring a person below.</p> <p>When executing address setting, test run, or troubleshooting through the checking window on the electric parts box, put on insulated gloves to provide protection from electric shock. Otherwise you may receive an electric shock.</p> <p>Do not touch the aluminum fin of the outdoor unit. You may injure yourself if you do so. If the fin must be touched for some reason, first put on protective gloves and safety work clothing, and then proceed.</p> <p>Do not climb onto or place objects on top of the outdoor unit. You may fall or the objects may fall off of the outdoor unit and result in injury.</p> <p>When transporting the air conditioner, wear shoes with additional protective toe caps.</p> <p>When transporting the air conditioner, do not take hold of the bands around the packing carton. You may injure yourself if the bands should break.</p> <p>Be sure that a heavy unit (22 lbs (10 kg) or heavier) such as a compressor is carried by two persons.</p>
<p> Check ground wires.</p>	<p>Before troubleshooting or repair work, check the ground wire is connected to the ground terminals of the main unit, otherwise an electric shock is caused when a leak occurs. If the ground wire is not correctly connected, contact an electric engineer for rework.</p> <p>After completing the repair or relocation work, check that the ground wires are connected properly.</p> <p>Be sure to connect ground wire. (Grounding work) Incomplete grounding causes an electric shock. Do not connect ground wires to gas pipes, water pipes, and lightning rods or ground wires for telephone wires.</p>
<p> Prohibition of modification.</p>	<p>Do not modify the products. Do not also disassemble or modify the parts. It may cause a fire, electric shock or injury.</p>
<p> Use specified parts.</p>	<p>When any of the electrical parts are to be replaced, ensure that the replacement parts satisfy the specifications given in the Service Manual (or use the parts contained on the parts list in the Service Manual). Use of any parts which do not satisfy the required specifications may give rise to electric shocks, smoking and / or a fire.</p>

 Do not bring a child close to the equipment.	If, in the course of carrying out repairs, it becomes absolutely necessary to check out the electrical parts with the electrical parts box cover of one or more of the indoor units and the service panel of the outdoor unit removed in order to find out exactly where the trouble lies, put a sign in place so that no-one will approach the work location before proceeding with the work. Third-party individuals may enter the work site and receive electric shocks if this warning is not heeded.
 Insulating measures	Connect the cut-off lead wires with crimp contact, etc., put the closed end side upward and then apply a watercut method, otherwise a leak or production of fire is caused at the users' side.
 No fire	When performing repairs using a gas burner, replace the refrigerant with nitrogen gas because the oil that coats the pipes may otherwise burn. When repairing the refrigerating cycle, take the following measures. 1) Be attentive to fire around the cycle. When using a gas stove, etc., be sure to put out fire before work; otherwise the oil mixed with refrigerant gas may catch fire. 2) Do not use a welder in the closed room. When using it without ventilation, carbon monoxide poisoning may be caused. 3) Do not bring inflammables close to the refrigerant cycle, otherwise fire of the welder may catch the inflammables.
 Refrigerant	The refrigerant used by this air conditioner is the R410A. Check the used refrigerant name and use tools and materials of the parts which match with it. For the products which use R410A refrigerant, the refrigerant name is indicated at a position on the outdoor unit where is easy to see. To prevent miss-charging, the route of the service port is changed from one of the former R22. For an air conditioner which uses R410A, never use other refrigerant than R410A. For an air conditioner which uses other refrigerant (R22, etc.), never use R410A. If different types of refrigerant are mixed, abnormal high pressure generates in the refrigerating cycle and an injury due to breakage may be caused. When the air conditioner has been installed or relocated, follow the instructions in the Installation Manual and purge the air completely so that no gases other than the refrigerant will be mixed in the refrigerating cycle. Failure to purge the air completely may cause the air conditioner to malfunction. Do not charge refrigerant additionally. If charging refrigerant additionally when refrigerant gas leaks, the refrigerant composition in the refrigerating cycle changes resulted in change of air conditioner characteristics or refrigerant over the specified standard amount is charged and an abnormal high pressure is applied to the inside of the refrigerating cycle resulted in cause of breakage or injury. Therefore if the refrigerant gas leaks, recover the refrigerant in the air conditioner, execute vacuuming, and then newly recharge the specified amount of liquid refrigerant. In this time, never charge the refrigerant over the specified amount. When recharging the refrigerant in the refrigerating cycle, do not mix the refrigerant or air other than R410A into the specified refrigerant. If air or others is mixed with the refrigerant, abnormal high pressure generates in the refrigerating cycle resulted in cause of injury due to breakage. Install the refrigerant pipe securely during the installation work before operating the air conditioner. If the compressor is operated with the valve open and without refrigerant pipe, the compressor sucks air and the refrigeration cycles is over pressurized, which may cause injury. After the installation work, confirm that refrigerant gas does not leak. If refrigerant gas leaks into the room and flows near a fire source, such as a cooking range, noxious gas may be generated. Never recover the refrigerant into the outdoor unit. When the equipment is moved or repaired, be sure to recover the refrigerant with recovering device. The refrigerant cannot be recovered in the outdoor unit; otherwise a serious accident such as breakage or injury is caused.
 Assembly / Wiring	After repair work, surely assemble the disassembled parts, and connect and lead the removed wires as before. Perform the work so that the cabinet or panel does not catch the inner wires. If incorrect assembly or incorrect wire connection was done, a disaster such as a leak or fire is caused at user's side.
 Insulator check	After the work has finished, be sure to use an insulation tester set (500 V Megger) to check the resistance is 1 MΩ or more between the charge section and the non-charge metal section (Ground position). If the resistance value is low, a disaster such as a leak or electric shock is caused at user's side.

 Ventilation	<p>When the refrigerant gas leaks during work, execute ventilation.  If the refrigerant gas touches to a fire, poisonous gas generates. A case of leakage of the refrigerant and the closed room full with gas is dangerous because a shortage of oxygen occurs. Be sure to execute ventilation.</p>
 Compulsion	<p>When the refrigerant gas leaks, find up the leaked position and repair it surely.  If the leaked position cannot be found up and the repair work is interrupted, pump-down and tighten the service valve, otherwise the refrigerant gas may leak into the room.  The poisonous gas generates when gas touches to fire such as fan heater, stove or cooking stove though the refrigerant gas itself is innocuous.  When installing equipment which includes a large amount of charged refrigerant such as a multi air conditioner in a sub-room, it is necessary that the density does not exceed the limit even if the refrigerant leaks. If the refrigerant leaks and exceeds the limit density, an accident of shortage of oxygen is caused.</p> <p>Tighten the flare nut with a torque wrench in the specified manner.  Excessive tighten of the flare nut may cause a crack in the flare nut after a long period, which may result in refrigerant leakage.</p> <p>Nitrogen gas must be used for the airtight test.</p> <p>The charge hose must be connected in such a way that it is not slack.</p> <p>For the installation / moving / reinstallation work, follow to the Installation Manual.  If an incorrect installation is done, a trouble of the refrigerating cycle, water leak, electric shock or fire is caused.</p>
 Check after repair	<p>Once the repair work has been completed, check for refrigerant leaks, and check the insulation resistance and water drainage.  Then perform a trial run to check that the air conditioner is running properly.</p> <p>After repair work has finished, check there is no trouble. If check is not executed, a fire, electric shock or injury may be caused. For a check, turn off the power breaker.</p> <p>After repair work (installation of front panel and cabinet) has finished, execute a test run to check there is no generation of smoke or abnormal sound.  If check is not executed, a fire or an electric shock is caused. Before test run, install the front panel and cabinet.</p> <p>Be sure to fix the screws back which have been removed for installation or other purposes.</p>
 Do not operate the unit with the valve closed.	<p>Check the following matters before a test run after repairing piping.</p> <ul style="list-style-type: none"> <li>• Connect the pipes surely and there is no leak of refrigerant.</li> <li>• The valve is opened.</li> </ul> <p>Running the compressor under condition that the valve closes causes an abnormal high pressure resulted in damage of the parts of the compressor and etc. and moreover if there is leak of refrigerant at connecting section of pipes, the air is sucked and causes further abnormal high pressure resulted in burst or injury.</p>
 Check after reinstallation	<p>Only a qualified installer (*1) or qualified service person (*1) is allowed to relocate the air conditioner. It is dangerous for the air conditioner to be relocated by an unqualified individual since a fire, electric shocks, injury, water leakage, noise and / or vibration may result.</p> <p>Check the following items after reinstallation.</p> <ol style="list-style-type: none"> <li>1) The ground wire is correctly connected.</li> <li>2) The power cord is not caught in the product.</li> <li>3) There is no inclination or unsteadiness and the installation is stable.</li> </ol> <p>If check is not executed, a fire, an electric shock or an injury is caused.</p> <p>When carrying out the pump-down work shut down the compressor before disconnecting the refrigerant pipe. Disconnecting the refrigerant pipe with the service valve left open and the compressor still operating will cause air or other gas to be sucked in, raising the pressure inside the refrigeration cycle to an abnormally high level, and possibly resulting in rupture, injury or other trouble.</p>
 Cooling check	<p>When the service panel of the outdoor unit is to be opened in order for the compressor or the area around this part to be repaired immediately after the air conditioner has been shut down, set the circuit breaker to the OFF position, and then wait at least 10 minutes before opening the service panel.  If you fail to heed this warning, you will run the risk of burning yourself because the compressor pipes and other parts will be very hot to the touch. In addition, before proceeding with the repair work, wear the kind of insulated heat-resistant gloves designed to protect electricians.</p> <p>Take care not to get burned by compressor pipes or other parts when checking the cooling cycle while running the unit as they get heated while running. Be sure to put on gloves providing protection for electric shock and heat.</p> <p>When the service panel of the outdoor unit is to be opened in order for the fan motor, reactor, inverter or the areas around these parts to be repaired immediately after the air conditioner has been shut down, set the circuit breaker to the OFF position, and then wait at least 10 minutes before opening the service panel.  If you fail to heed this warning, you will run the risk of burning yourself because the fan motor, reactor, inverter heat sink and other parts will be very hot to the touch.  In addition, before proceeding with the repair work, wear the kind of insulated heat-resistant gloves designed to protect electricians.</p>

 Installation	Only a qualified installer (*1) or qualified service person (*1) is allowed to install the air conditioner. If the air conditioner is installed by an unqualified individual, a fire, electric shocks, injury, water leakage, noise and/or vibration may result.
	Before starting to install the air conditioner, read carefully through the Installation Manual, and follow its instructions to install the air conditioner.
	Be sure to use the company-specified products for the separately purchased parts. Use of non-specified products may result in fire, electric shock, water leakage or other failure. Have the installation performed by a qualified installer.
	Use wiring that meets the specifications in the Installation Manual and the stipulations in the local regulations and laws. Use of wiring which does not meet the specifications may give rise to electric shocks, electrical leakage, smoking and/or a fire.
	Do not supply power from the power terminal block equipped on the outdoor unit to another outdoor unit. Capacity overload may occur on the terminal block and may result in fire.
	Do not install the air conditioner in a location that may be subject to a risk of exposure to a combustible gas. If a combustible gas leaks and becomes concentrated around the unit, a fire may occur.
	If refrigerant gas has leaked during the installation work, ventilate the room immediately. If the leaked refrigerant gas comes in contact with fire, noxious gas may be generated.
	Install a circuit breaker that meets the specifications in the installation manual and the stipulations in the local regulations and laws.
	Install the circuit breaker where it can be easily accessed by the qualified service person (*1).
	If you install the unit in a small room, take appropriate measures to prevent the refrigerant from exceeding the limit concentration even if it leaks. Consult the dealer from whom you purchased the air conditioner when you implement the measures. Accumulation of highly concentrated refrigerant may cause an oxygen deficiency accident.
Do not place any combustion appliance in a place where it is directly exposed to the wind of air conditioner, otherwise it may cause imperfect combustion.	

### Explanations given to user

If you have discovered that the fan grille is damaged, do not approach the outdoor unit but set the circuit breaker to the OFF position, and contact a qualified service person to have the repairs done. Do not set the circuit breaker to the ON position until the repairs are completed.

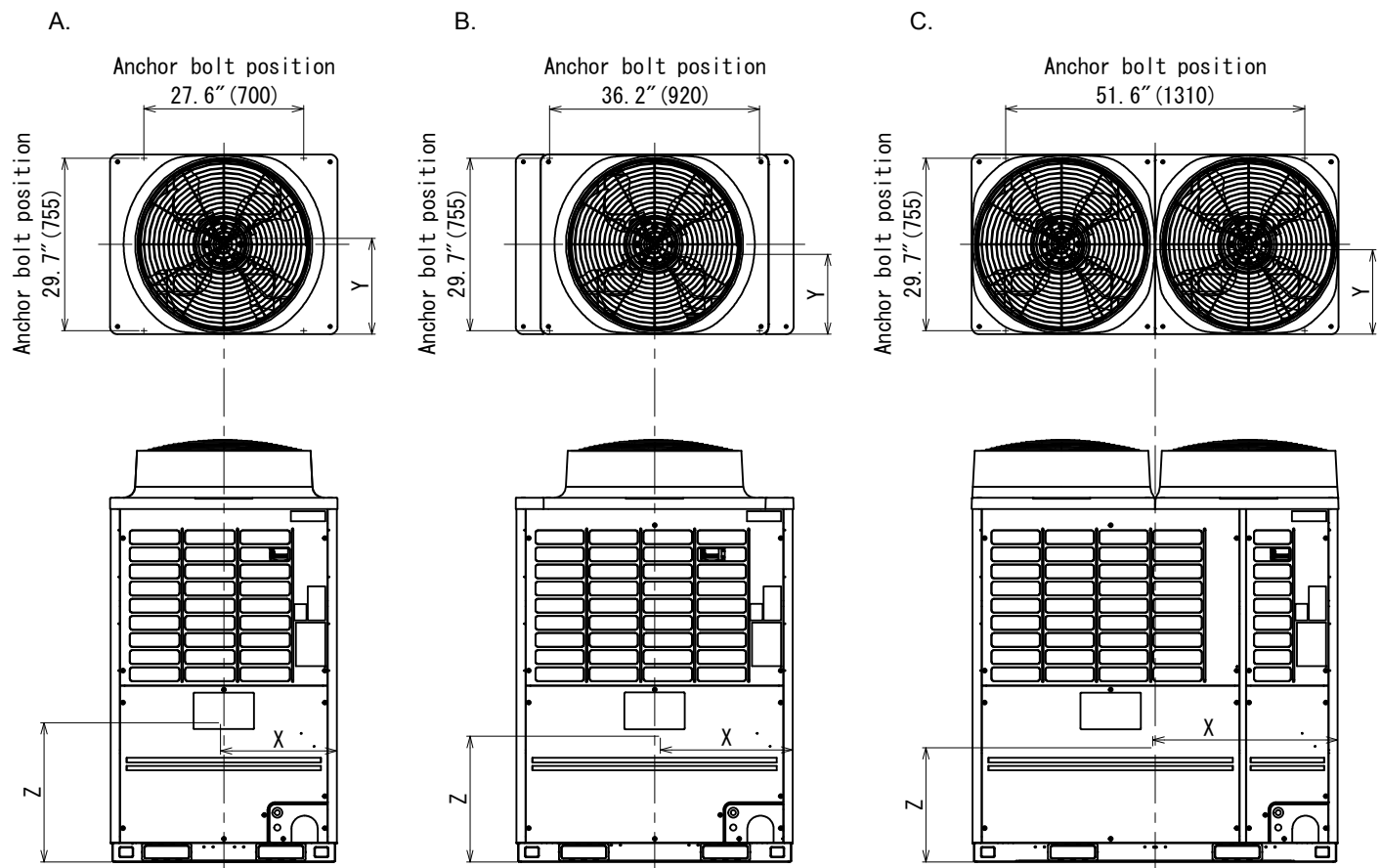
### Relocation

- Only a qualified installer (\*1) or qualified service person (\*1) is allowed to relocate the air conditioner. It is dangerous for the air conditioner to be relocated by an unqualified individual since a fire, electric shocks, injury, water leakage, noise and / or vibration may result.
- When carrying out the pump-down work shut down the compressor before disconnecting the refrigerant pipe. Disconnecting the refrigerant pipe with the service valve left open and the compressor still operating will cause air, etc. to be sucked in, raising the pressure inside the refrigeration cycle to an abnormally high level, and possibly resulting in rupture, injury, etc.

(\*1) Refer to the “Definition of Qualified Installer or Qualified Service Person”

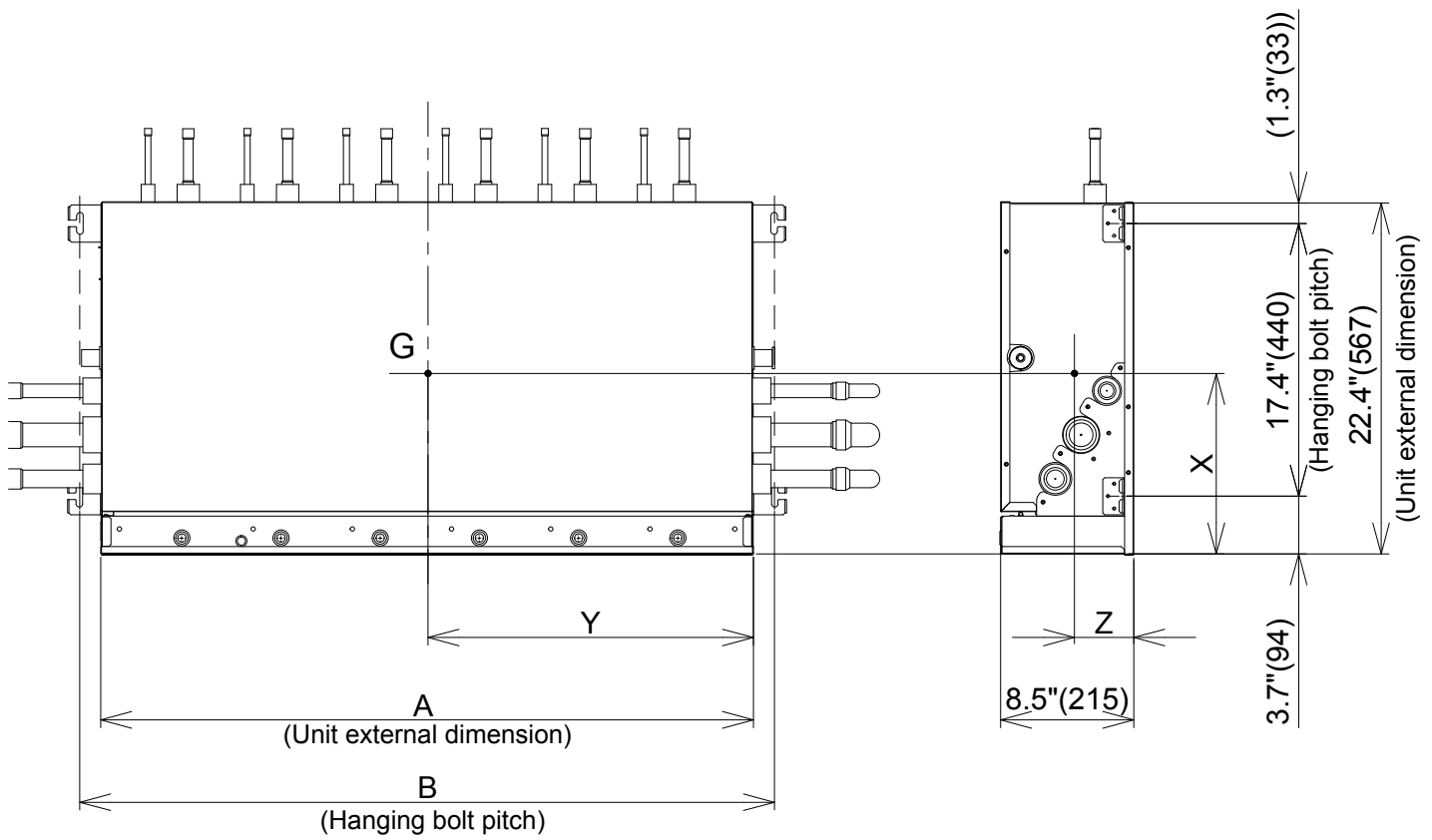


## ■ Weight center



	Model type	X (In(mm))	Y (In(mm))	Z (In(mm))	Weight (lbs(kg))
(A)	MAP0726FT9P-UL	20.5"(520)	15.4"(390)	24.0"(610)	600(272)
(B)	MAP0966FT9P-UL	23.8"(605)	15.7"(400)	23.2"(590)	721(327)
	MAP1206FT9P-UL				
(C)	MAP1446FT9P-UL	30.3"(510)	16.3"(415)	22.4"(570)	882(400)
	MAP1686FT9P-UL				

## Multi port FS unit



Unit: in (mm)

RBM-Y0611***	A	B	X	Y	Z	Weight [lbs (kg)]
F4PUL	28.8"(730)	31.6"(802)	11.6"(293)	14.4"(365)	3.8"(96)	84(38)
F6PUL	41.4"(1,050)	44.2"(1,122)	11.6"(293)	20.7"(525)	3.8"(96)	117(53)



# Refrigerant (R410A)

This air conditioner adopts a HFC type refrigerant (R410A) which does not deplete the ozone layer.

## 1. Safety Caution Concerned to refrigerant (R410A)

The pressure of R410A is high 1.6 times of that of the former refrigerant (R22). Accompanied with change of refrigerant, the refrigerating oil has been also changed. Therefore, be sure that water, dust, the former refrigerant or the former refrigerating oil is not mixed into the refrigerating cycle of the air conditioner with new refrigerant during installation work or service work. If an incorrect work or incorrect service is performed, there is a possibility to cause a serious accident. Use the tools and materials exclusive to R410A to purpose a safe work.

## 2. Cautions on Installation/Service

(1) Do not mix the other refrigerant or refrigerating oil.

For the tools exclusive to R410A, shapes of all the joints including the service port differ from those of the former refrigerant in order to prevent mixture of them.

(2) As the use pressure of the refrigerant (R410A) is high, use material thickness of the pipe and tools which are specified for R410A.

(3) In the installation time, use clean pipe materials and work with great attention so that water and others do not mix in because pipes are affected by impurities such as water, oxide scales, oil, etc. Use the clean pipes.

Be sure to brazing with flowing nitrogen gas. (Never use gas other than nitrogen gas.)

(4) For the earth protection, use a vacuum pump for air purge.

(5) R410A refrigerant is azeotropic mixture type refrigerant. Therefore use liquid type to charge the refrigerant.

(If using gas for charging, composition of the refrigerant changes and then characteristics of the air conditioner change.)

## 3. Pipe Materials

For the refrigerant pipes, copper pipe and joints are mainly used. It is necessary to select the most appropriate pipes to conform to the standard. Use clean material in which impurities adhere inside of pipe or joint to a minimum.

(1) Copper pipe

### <Piping>

The pipe thickness, flare finishing size, flare nut and others differ according to a refrigerant type.

When using a long copper pipe for R410A, it is recommended to select "Copper or copper-base pipe without seam" and one with bonded oil amount  $2.67 \times 10^{-6}$  lbs/ft or less. Also do not use crushed, deformed, discolored (especially inside) pipes. (Impurities cause clogging of expansion valves and capillary tubes.)

### <Flare nut>

Use the flare nuts which are attached to the air conditioner unit.

(2) Joint

The flare joint and socket joint are used for joints of the copper pipe. The joints are rarely used for installation of the air conditioner. However clear impurities when using them.

## 4. Tools

### (1) Required Tools for R410A

Mixing of different types of oil may cause a trouble such as generation of sludge, clogging of capillary, etc. Accordingly, the tools to be used are classified into the following three types.

- 1) Tools exclusive for R410A (Those which cannot be used for conventional refrigerant (R22))
- 2) Tools exclusive for R410A, but can be also used for conventional refrigerant (R22)
- 3) Tools commonly used for R410A and for conventional refrigerant (R22)

The table below shows the tools exclusive for R410A and their interchangeability.

#### Tools exclusive for R410A (The following tools for R410A are required.)

##### Explanation of symbols

△ : Newly prepared (It is necessary to use it exclusively with R410A, separately from those for

◎ R22 or R407C.)

: Former tool is available.

Used tools	Usage	Proper use of tools/parts
Gauge manifold	Vacuuming, charging refrigerant and operation check	△ Exclusive to R410A
Charging hose		△ Exclusive to R410A
Charging cylinder	Charging refrigerant	Unusable (Use the Refrigerant charging balance.)
Gas leak detector	Checking gas leak	△ Exclusive to R410A
Vacuum pump	Vacuum drying	Usable if a counter-flow preventive adapter is attached
Vacuum pump with counterflow	Vacuum drying	◎ R22 (Existing article)
Flare tool	Flare processing of pipes	◎ Usable by adjusting size
Bender	Bending processing of pipes	◎ R22 (Existing article)
Refrigerant recovery device	Recovering refrigerant	△ Exclusive to R410A
Torque wrench	Tightening flare nut	△ Exclusive to Ø1/2"(12.7mm) to Ø5/8"(15.9mm)
Pipe cutter	Cutting pipes	◎ R22 (Existing article)
Refrigerant canister	Charging refrigerant	△ Exclusive to R410A Enter the refrigerate name for identification
Brazing machine/ Nitrogen gas cylinder	Brazing of pipes	◎ R22 (Existing article)
Refrigerant charging balance	Charging refrigerant	◎ R22 (Existing article)

**(Note 1)** When flaring is carried out for R410A using the conventional flare tools, adjustment of projection margin is necessary. For this adjustment, a copper pipe gauge, etc. are necessary.

**(Note 2)** Charging cylinder for R410A is being currently developed.

#### General tools (Conventional tools can be used.)

In addition to the above exclusive tools, the following equipments which serve also for R22 are necessary as the general tools.

- |   |   |
|---|---|
| (1) Vacuum pump                                   | (7) Screwdriver (+, -)                          |
| Use vacuum pump by attaching vacuum pump adapter. | (8) Spanner or Monkey wrench                    |
| (2) Torque wrench                                 | (9) Hole core drill                             |
| (3) Pipe cutter                                   | (10) Hexagon wrench (Opposite side 0.16" (4mm)) |
| (4) Reamer  | (11) Tape measure                               |
| (5) Pipe bender                                   | (12) Metal saw                                  |
| (6) Level vial                                    |   |

Also prepare the following equipments for other installation method and run check.

- |                 |                                  |
|-----------------|----------------------------------|
| (1) Clamp meter | (3) Insulation resistance tester |
| (2) Thermometer | (4) Electroscope                 |

# 1-1 Specifications

## System with Non-ducted indoor units

Model name			MMY-MAP0726FT9P-UL	MMY-MAP0966FT9P-UL	MMY-MAP1206FT9P-UL
Power Supply	Nominal voltage	V/Ph/Hz	208-230 / 3 / 60		
	Voltage range	V	187Minimum / 253 Maximum		
Cooling	Nominal capacity (*1)	Btu/h	72,000	96,000	120,000
	Rated capacity (*1)	Btu/h	69,000	92,000	114,000
	Rated power consumption (*1)(*2)	kW	4.53	7.16	9.39
	Rated EER (*1)(*2)	(Btu/h)/W	15.2	12.9	12.1
Heating	Nominal capacity (*1)	Btu/h	81,000	108,000	135,000
	Rated capacity (*1)	Btu/h	77,000	103,000	129,000
	Rated power consumption (*1)(*2)	kW	5.98	7.66	10.21
	Rated COP (*1)(*2)	W/W	3.77	3.94	3.70
Dimension	Unit	Height	In	72.9	72.9
		Width	In	39.0	47.6
		Depth	In	30.7	30.7
	Packing	Height	In	76.3	76.3
		Width	In	41.8	50.5
		Depth	In	32.6	32.6
Weight	Unit	lbs	600	721	721
	Packing	lbs	635	761	761
Color			Silky shade (Munsell 1Y8.5/0.5)	Silky shade (Munsell 1Y8.5/0.5)	Silky shade (Munsell 1Y8.5/0.5)
Compressor	Type		Hermetic twin rotary compressor	Hermetic twin rotary compressor	Hermetic twin rotary compressor
	Motor output	kW	2.1 x 2	3.0 x 2	4.0 x 2
Fan unit	Type		Propeller fan	Propeller fan	Propeller fan
	Motor output	kW	1.0	1.0	1.0
	Air volume	cfm	5900	7480	7700
Maximum external static pressure (*3)		In.WG	0.24	0.16	0.16
Heat exchanger			Finned tube	Finned tube	Finned tube
Refrigerant	Name		R410A	R410A	R410A
	Charged refrigerant amount (*4)	lbs	24.3	24.3	24.3
High-pressure switch		psi	OFF:420 ON:540	OFF:420 ON:540	OFF:420 ON:540
Protective devices			(*5)	(*5)	(*5)
Power supply wiring	MCA	A	23.3	34.2	45.4
	MOCP (*6)	A	30.0	40.0	50.0
Piping connections	Liquid	Type	Flare	Flare	Flare
		Diameter	In	1/2"	1/2"
	Suction Gas	Type	Brazing	Brazing	Brazing
		Diameter	In	7/8"	7/8"
	Discharge Gas	Type	Flare	Flare	Flare
		Diameter	In	3/4"	3/4"
Balance	Type	Flare	Flare	Flare	
	Diameter	In	3/8"	3/8"	3/8"
Indoor units	Maximum capacity of combined indoor units		50 to 150%(*7)	50 to 150%(*7)	50 to 150%(*7)
	Maximum number of indoor units(*8)		12	16	21
Sound pressure level	Cooling	dB(A)	57.0	62.0	63.0
	Heating	dB(A)	60.0	62.0	64.0
Operation temperature range	Cooling	°FDB	14 to 122	14 to 122	14 to 122
	Heating	°FWB	-13 to 60	-13 to 60	-13 to 60

### Note

(\*1) Rated conditions

Cooling : Indoor air temperature 80 F Dry Bulb / 67 F Wet Bulb , Outdoor air temperature 95 F Dry Bulb.

Heating : Indoor air temperature 70 F Dry Bulb, Outdoor air temperature 47 F Dry Bulb / 43 F Wet Bulb.

072, 096 type : Equivalent piping length : 50 ft, Height difference : 0 ft , 120 type : Equivalent piping length : 75 ft, Height difference : 0 ft

(\*2) Value for only outdoor unit

(\*3) Setting is necessary

(\*4) The amount does not consider extra piping length. Refrigerant must be added on site in accordance with the actual piping length.

(\*5) Discharge temp. sensor / Suction temp. sensor / High-pressure sensor / Low-pressure sensor / PC board fuse

(\*6) MOCP : Maximum Overcurrent Protection(Amps)

(\*7) Permanent operation below 80% is not recommended.

(\*8) It is 54 units in case central control is in system.

### System with Non-ducted indoor units

Model name			MMY-MAP1446FT9P-UL	MMY-MAP1686FT9P-UL	
Power Supply	Nominal voltage	V/Ph/Hz	208-230 / 3 / 60	208-230 / 3 / 60	
	Voltage range	V	187Minimum / 253 Maximum	187Minimum / 253 Maximum	
Cooling	Nominal capacity (*1)	Btu/h	144,000	168,000	
	Rated capacity (*1)	Btu/h	138,000	160,000	
	Rated power consumption (*1)(*2)	kW	11.03	14.55	
	Rated EER (*1)(*2)	(Btu/h)/W	12.5	11.0	
Heating	Nominal capacity (*1)	Btu/h	162,000	189,000	
	Rated capacity (*1)	Btu/h	154,000	180,000	
	Rated power consumption (*1)(*2)	kW	11.76	15.05	
	Rated COP (*1)(*2)	W/W	3.84	3.51	
Dimension	Unit	Height	In	72.9	72.9
		Width	In	63.0	63.0
		Depth	In	30.7	30.7
	Packing	Height	In	76.3	76.3
		Width	In	65.8	65.8
		Depth	In	32.6	32.6
Weight	Unit	lbs	882	882	
	Packing	lbs	924	924	
Color			Silky shade (Munsell 1Y8.5/0.5)	Silky shade (Munsell 1Y8.5/0.5)	
Compressor	Type		Hermetic twin rotary compressor	Hermetic twin rotary compressor	
	Motor output	kW	5.4 x 2	6.5 x 2	
Fan unit	Type		Propeller fan	Propeller fan	
	Motor output	kW	1.0+1.0	1.0+1.0	
	Air volume	cfm	10850	10850	
Maximum external static pressure (*3)		In.WG	0.16	0.16	
Heat exchanger			Finned tube	Finned tube	
Refrigerant	Name		R410A	R410A	
	Charged refrigerant amount (*4)	lbs	24.3	24.3	
High-pressure switch		psi	OFF:420 ON:540	OFF:420 ON:540	
Protective devices			(*5)	(*5)	
Power supply wiring	MCA	A	52.1	66.2	
	MOCP (*6)	A	60.0	70.0	
Piping connections	Liquid	Type	Flare	Flare	
		Diameter	In	5/8"	3/4"
	Suction Gas	Type	Brazing	Brazing	
		Diameter	In	1-1/8"	1-1/8"
	Discharge Gas	Type	Flare	Flare	
		Diameter	In	7/8"	7/8"
	Balance	Type	Flare	Flare	
		Diameter	In	3/8"	3/8"
Indoor units	Maximum capacity of combined indoor units		50 to 150%(*7)	50 to 150%(*7)	
	Maximum number of indoor units(*8)		25	30	
Sound pressure level	Cooling	dB(A)	66.5	66.5	
	Heating	dB(A)	66.5	67.0	
Operation temperature range	Cooling	°FDB	14 to 122	14 to 122	
	Heating	°FWB	-13 to 60	-13 to 60	

**Note**

(\*1) Rated conditions  
Cooling : Indoor air temperature 80 F Dry Bulb / 67 F Wet Bulb , Outdoor air temperature 95 F Dry Bulb.  
Heating : Indoor air temperature 70 F Dry Bulb, Outdoor air temperature 47 F Dry Bulb / 43 F Wet Bulb.  
Equivalent piping length: 100 ft, Height difference: 0 ft

(\*2) Value for only outdoor unit

(\*3) Setting is necessary

(\*4) The amount dose not consider extra piping length. Refrigerant must be added on site in accordance with the actual piping length.

(\*5) Discharge temp. sensor / Suction temp. sensor / High-pressure sensor / Low-pressure sensor / PC board fuse

(\*6) MOCP : Maximum Overcurrent Protection(Amps)

(\*7) Permanent operation below 80% is not recommended.

(\*8) It is 54 units in case central control is in system.



## System with Non-ducted indoor units

Model name			MMY-AP1926FT9P-UL	MMY-AP2166FT9P-UL	MMY-AP2406FT9P-UL	MMY-AP2646FT9P-UL
Outdoor unit model name			MMY-MAP0966FT9P-UL	MMY-MAP1206FT9P-UL	MMY-MAP1446FT9P-UL	MMY-MAP1446FT9P-UL
			MMY-MAP0966FT9P-UL	MMY-MAP0966FT9P-UL	MMY-MAP0966FT9P-UL	MMY-MAP1206FT9P-UL
Power Supply	Nominal voltage	V/Ph/Hz	208-230 / 3 / 60	208-230 / 3 / 60	208-230 / 3 / 60	208-230 / 3 / 60
	Voltage range	V	187Minimum / 253 Maximum	187Minimum / 253 Maximum	187Minimum / 253 Maximum	187Minimum / 253 Maximum
Cooling	Nominal capacity (*1)	Btu/h	192,000	216,000	240,000	264,000
	Rated capacity (*1)	Btu/h	184,000	206,000	230,000	252,000
	Rated power consumption (*1)(*2)	kW	14.60	17.22	19.29	22.44
	Rated EER (*1)(*2)	(Btu/h)/W	12.6	12.0	11.9	11.2
Heating	Nominal capacity (*1)	Btu/h	216,000	243,000	270,000	297,000
	Rated capacity (*1)	Btu/h	206,000	232,000	256,000	282,000
	Rated power consumption (*1)(*2)	kW	15.91	18.63	20.30	23.76
	Rated COP (*1)(*2)	W/W	3.79	3.65	3.70	3.48
Weight	Unit	lbs	721 + 721	721 + 721	882 + 721	882 + 721
	Packing	lbs	761 + 761	761 + 761	924 + 761	924 + 761
Color			Silky shade (Munsell 1Y8.5/0.5)	Silky shade (Munsell 1Y8.5/0.5)	Silky shade (Munsell 1Y8.5/0.5)	Silky shade (Munsell 1Y8.5/0.5)
Compressor	Type		Hermetic twin rotary compressor	Hermetic twin rotary compressor	Hermetic twin rotary compressor	Hermetic twin rotary compressor
	Motor output	kW	3.0 x 2 + 3.0 x 2	4.0 x 2 + 3.0 x 2	5.4 x 2 + 3.0 x 2	5.4 x 2 + 4.0 x 2
Fan unit	Type		Propeller fan	Propeller fan	Propeller fan	Propeller fan
	Motor output	kW	1.0 + 1.0	1.0 + 1.0	1.0+1.0 + 1.0	1.0+1.0 + 1.0
	Air volume	cfm	7480 + 7480	7700 + 7480	10850 + 7480	10850 + 7700
Maximum external static pressure (*3)			In.WG	0.16	0.16	0.16
Heat exchanger			Finned tube	Finned tube	Finned tube	Finned tube
Refrigerant	Name		R410A	R410A	R410A	R410A
	Charged refrigerant amount (*4)	lbs	24.3 + 24.3	24.3 + 24.3	24.3 + 24.3	24.3 + 24.3
High-pressure switch			psi	OFF:420 ON:540	OFF:420 ON:540	OFF:420 ON:540
Protective devices				(*5)	(*5)	(*5)
Power supply wiring	MCA	A	34.2 + 34.2	45.4 + 34.2	52.1 + 34.2	52.1 + 45.4
	MOCP (*6)	A	40 + 40	50 + 40	60 + 40	60 + 50
Piping connections	Liquid	Type	Flare	Flare	Flare	Flare
		Diameter	In	3/4"	3/4"	3/4"
	Suction Gas	Type	Brazing	Brazing	Brazing	Brazing
		Diameter	In	1-1/8"	1-3/8"	1-3/8"
	Discharge Gas	Type	Flare	Flare	Flare	Flare
		Diameter	In	7/8"	1-1/8"	1-1/8"
	Balance	Type	Flare	Flare	Flare	Flare
		Diameter	In	3/8"	3/8"	3/8"
Indoor units	Maximum capacity of combined indoor units		50 to 150%(*7)	50 to 150%(*7)	50 to 150%(*7)	50 to 150%(*7)
	Maximum number of indoor units(*8)		34	38	42	46
Sound pressure level	Cooling	dB(A)	65.0	65.5	68.0	68.5
	Heating	dB(A)	65.0	66.5	68.0	68.5
Operation temperature range	Cooling	*FDB	14 to 122	14 to 122	14 to 122	14 to 122
	Heating	*FWB	-13 to 60	-13 to 60	-13 to 60	-13 to 60

### Note

(\*1) Rated conditions Cooling : Indoor air temperature 80 F Dry Bulb / 67 F Wet Bulb , Outdoor air temperature 95 F Dry Bulb.  
Heating : Indoor air temperature 70 F Dry Bulb, Outdoor air temperature 47 F Dry Bulb / 43 F Wet Bulb.  
Equivalent piping length: 100 ft, Height difference: 0 ft

(\*2) Value for only outdoor unit

(\*3) Setting is necessary

(\*4) The amount does not consider extra piping length. Refrigerant must be added on site in accordance with the actual piping length.

(\*5) Discharge temp. sensor / Suction temp. sensor / High-pressure sensor / Low-pressure sensor / PC board fuse

(\*6) MOCP : Maximum Overcurrent Protection(Amps)

(\*7) Permanent operation below 80% is not recommended.

(\*8) It is 54 units in case central control is in system.

## System with Non-ducted indoor units

Model name			MMY-AP2886FT9P-UL	MMY-AP3126FT9P-UL
Outdoor unit model name			MMY-MAP1446FT9P-UL	MMY-MAP1686FT9P-UL
			MMY-MAP1446FT9P-UL	MMY-MAP1446FT9P-UL
Power Supply	Nominal voltage	V/Ph/Hz	208-230 / 3 / 60	208-230 / 3 / 60
	Voltage range	V	187Minimum / 253 Maximum	187Minimum / 253 Maximum
Cooling	Nominal capacity (*1)	Btu/h	288,000	312,000
	Rated capacity (*1)	Btu/h	276,000	298,000
	Rated power consumption (*1)(*2)	kW	24.14	28.14
	Rated EER (*1)(*2)	(Btu/h)/W	11.4	10.6
Heating	Nominal capacity (*1)	Btu/h	324,000	351,000
	Rated capacity (*1)	Btu/h	308,000	334,000
	Rated power consumption (*1)(*2)	kW	25.50	28.98
	Rated COP (*1)(*2)	W/W	3.54	3.38
Weight	Unit	lbs	882 + 882	882 + 882
	Packing	lbs	924 + 924	924 + 924
Color			Silky shade (Munsell 1Y8.5/0.5)	Silky shade (Munsell 1Y8.5/0.5)
Compressor	Type		Hermetic twin rotary compressor	Hermetic twin rotary compressor
	Motor output	kW	5.4 x 2 + 5.4 x 2	6.5 x 2 + 5.4 x 2
Fan unit	Type		Propeller fan	Propeller fan
	Motor output	kW	1.0+1.0 + 1.0+1.0	1.0+1.0 + 1.0+1.0
	Air volume	cfm	10850 + 10850	10850 + 10850
Maximum external static pressure (*3)			In.WG	0.16
Heat exchanger			Finned tube	Finned tube
Refrigerant	Name		R410A	R410A
	Charged refrigerant amount (*4)	lbs	24.3 + 24.3	24.3 + 24.3
High-pressure switch			psi	OFF:420 ON:540
Protective devices			(*5)	(*5)
Power supply wiring	MCA	A	52.1 + 52.1	66.2 + 52.1
	MOCP (*6)	A	60 + 60	70 + 60
Piping connections	Liquid	Type	Flare	Flare
		Diameter	In	7/8"
	Suction Gas	Type	Brazing	Brazing
		Diameter	In	1-3/8"
	Discharge Gas	Type	Flare	Flare
		Diameter	In	1-1/8"
	Balance	Type	Flare	Flare
		Diameter	In	3/8"
Indoor units	Maximum capacity of combined indoor units		50 to 150%(*7)	50 to 150%(*7)
	Maximum number of indoor units(*8)		50	55
Sound pressure level	Cooling	dB(A)	69.5	69.5
	Heating	dB(A)	69.5	70.0
Operation temperature range	Cooling	°FDB	14 to 122	14 to 122
	Heating	°FWB	-13 to 60	-13 to 60

### Note

(\*1) Rated conditions Cooling : Indoor air temperature 80 F Dry Bulb / 67 F Wet Bulb , Outdoor air temperture 95 F Dry Bulb.  
Heating : Indoor air temperature 70 F Dry Bulb, Outdoor air temperture 47 F Dry Bulb / 43 F Wet Bulb.  
Equivalent piping length: 100 ft, Height difference: 0 ft.

(\*2) Value for only outdoor unit

(\*3) Setting is necessary

(\*4) The amount dose not consider extra piping length. Refrigerant must be added on site in accordance with the actual piping length.

(\*5) Discharge temp. sensor / Suction temp. sensor / High-pressure sensor / Low-pressure sensor / PC board fuse

(\*6) MOCP : Maximum Overcurrent Protection(Amps)

(\*7) Permanent operation below 80% is not recommended.

(\*8) It is 54 units in case central control is in system.

## System with Non-ducted indoor units

Model name			MMY-AP3366FT9P-UL	MMY-AP3606FT9P-UL	MMY-AP3846FT9P-UL	MMY-AP4086FT9P-UL
Outdoor unit model name			MMY-MAP1206FT9P-UL	MMY-MAP1206FT9P-UL	MMY-MAP1446FT9P-UL	MMY-MAP1446FT9P-UL
			MMY-MAP1206FT9P-UL	MMY-MAP1206FT9P-UL	MMY-MAP1206FT9P-UL	MMY-MAP1446FT9P-UL
			MMY-MAP0966FT9P-UL	MMY-MAP1206FT9P-UL	MMY-MAP1206FT9P-UL	MMY-MAP1206FT9P-UL
Power Supply	Nominal voltage	V/Ph/Hz	208-230 / 3 / 60	208-230 / 3 / 60	208-230 / 3 / 60	208-230 / 3 / 60
	Voltage range	V	187Minimum / 253 Maximum	187Minimum / 253 Maximum	187Minimum / 253 Maximum	187Minimum / 253 Maximum
Cooling	Nominal capacity (*1)	Btu/h	336,000	360,000	384,000	408,000
	Rated capacity (*1)	Btu/h	320,000	342,000	366,000	390,000
	Rated power consumption (*1)(*2)	kW	29.11	34.26	36.70	39.49
	Rated EER (*1)(*2)	(Btu/h)/W	11.0	9.98	9.97	9.88
Heating	Nominal capacity (*1)	Btu/h	378,000	405,000	432,000	459,000
	Rated capacity (*1)	Btu/h	360,000	386,000	412,000	436,000
	Rated power consumption (*1)(*2)	kW	30.23	33.48	36.34	38.73
	Rated COP (*1)(*2)	W/W	3.49	3.38	3.32	3.30
Weight	Unit	lbs	721 + 721 + 721	721 + 721 + 721	882 + 721 + 721	882 + 882 + 721
	Packing	lbs	761 + 761 + 761	761 + 761 + 761	924 + 761 + 761	924 + 924 + 761
Color			Silky shade (Munsell 1Y8.5/0.5)	Silky shade (Munsell 1Y8.5/0.5)	Silky shade (Munsell 1Y8.5/0.5)	Silky shade (Munsell 1Y8.5/0.5)
Compressor	Type		Hermetic twin rotary compressor	Hermetic twin rotary compressor	Hermetic twin rotary compressor	Hermetic twin rotary compressor
	Motor output	kW	4.0 x 2 + 4.0 x 2 + 3.0 x 2	4.0 x 2 + 4.0 x 2 + 4.0 x 2	5.4 x 2 + 4.0 x 2 + 4.0 x 2	5.4 x 2 + 5.4 x 2 + 4.0 x 2
Fan unit	Type		Propeller fan	Propeller fan	Propeller fan	Propeller fan
	Motor output	kW	1.0 + 1.0 + 1.0	1.0 + 1.0 + 1.0	1.0+1.0 + 1.0 + 1.0	1.0+1.0 + 1.0+1.0 + 1.0
	Air volume	cfm	7700 + 7700 + 7480	7700 + 7700 + 7700	10850 + 7700 + 7700	10850 + 10850 + 7700
Maximum external static pressure (*3)			In.WG	0.16	0.16	0.16
Heat exchanger			Finned tube	Finned tube	Finned tube	Finned tube
Refrigerant	Name		R410A	R410A	R410A	R410A
	Charged refrigerant amount (*4)	lbs	24.3 + 24.3 + 24.3	24.3 + 24.3 + 24.3	24.3 + 24.3 + 24.3	24.3 + 24.3 + 24.3
High-pressure switch			psi	OFF:420 ON:540	OFF:420 ON:540	OFF:420 ON:540
Protective devices				(*5)	(*5)	(*5)
Power supply wiring	MCA	A	45.4 + 45.4 + 34.2	45.4 + 45.4 + 45.4	52.1 + 45.4 + 45.4	52.1 + 52.1 + 45.4
	MOCP (*6)	A	50 + 50 + 40	50 + 50 + 50	60 + 50 + 50	60 + 60 + 50
Piping connections	Liquid	Type	Flare	Flare	Flare	Flare
		Diameter	In	7/8"	7/8"	7/8"
	Suction Gas	Type	Brazing	Brazing	Brazing	Brazing
		Diameter	In	1-3/8"	1-5/8"	1-5/8"
	Discharge Gas	Type	Flare	Flare	Flare	Flare
		Diameter	In	1-1/8"	1-3/8"	1-3/8"
	Balance	Type	Flare	Flare	Flare	Flare
		Diameter	In	3/8"	3/8"	3/8"
Indoor units	Maximum capacity of combined indoor units		50 to 150%(*7)	50 to 150%(*7)	50 to 150%(*7)	50 to 150%(*7)
	Maximum number of indoor units(*8)		60	63	64	64
Sound pressure level	Cooling	dB(A)	67.5	68.0	69.5	70.5
	Heating	dB(A)	68.5	69.0	70.0	71.0
Operation temperature range	Cooling	*FDB	14 to 122	14 to 122	14 to 122	14 to 122
	Heating	*FWB	-13 to 60	-13 to 60	-13 to 60	-13 to 60

### Note

- (\*1) Rated conditions      Cooling : Indoor air temperature 80 F Dry Bulb / 67 F Wet Bulb , Outdoor air temperature 95 F Dry Bulb.  
 Heating : Indoor air temperature 70 F Dry Bulb, Outdoor air temperature 47 F Dry Bulb / 43 F Wet Bulb.  
 336 type : Equivalent piping length: 100 ft, Height difference: 0 ft, 360, 384, 408 type : Equivalent piping length: 150 ft, Height difference: 0 ft
- (\*2) Value for only outdoor unit
- (\*3) Setting is necessary
- (\*4) The amount dose not consider extra piping length. Refrigerant must be added on site in accordance with the actual piping length.
- (\*5) Discharge temp. sensor / Suction temp. sensor / High-pressure sensor / Low-pressure sensor / PC board fuse
- (\*6) MOCP : Maximum Overcurrent Protection(Amps)
- (\*7) Permanent operation below 80% is not recommended.
- (\*8) It is 54 units in case central control is in system.



## System with Non-ducted indoor units

Model name			MMY-AP4326FT9P-UL	MMY-AP4566FT9P-UL
Outdoor unit model name			MMY-MAP1446FT9P-UL	MMY-MAP1686FT9P-UL
			MMY-MAP1446FT9P-UL	MMY-MAP1446FT9P-UL
			MMY-MAP1446FT9P-UL	MMY-MAP1446FT9P-UL
Power Supply	Nominal voltage	V/Ph/Hz	208-230 / 3 / 60	
	Voltage range	V	187Minimum / 253 Maximum	
Cooling	Nominal capacity (*1)	Btu/h	432,000	456,000
	Rated capacity (*1)	Btu/h	412,000	434,000
	Rated power consumption (*1)(*2)	kW	41.28	46.39
	Rated EER (*1)(*2)	(Btu/h)/W	9.98	9.36
Heating	Nominal capacity (*1)	Btu/h	486,000	513,000
	Rated capacity (*1)	Btu/h	462,000	488,000
	Rated power consumption (*1)(*2)	kW	40.99	43.60
	Rated COP (*1)(*2)	W/W	3.30	3.28
Weight	Unit	lbs	882 + 882 + 882	
	Packing	lbs	924 + 924 + 924	
Color			Silky shade (Munsell 1Y8.5/0.5)	
Compressor	Type		Hermetic twin rotary compressor	
	Motor output	kW	5.4 x 2 + 5.4 x 2 + 5.4 x 2	
Fan unit	Type		Propeller fan	
	Motor output	kW	1.0+1.0 + 1.0+1.0 + 1.0+1.0	
	Air volume	cfm	10850 + 10850 + 10850	
Maximum external static pressure (*3)		In.WG	0.16	
Heat exchanger			Finned tube	
Refrigerant	Name		R410A	
	Charged refrigerant amount (*4)	lbs	24.3 + 24.3 + 24.3	
High-pressure switch		psi	OFF:420 ON:540	
Protective devices			(*5)	
Power supply wiring	MCA	A	52.1 + 52.1 + 52.1	
	MOCP (*6)	A	60 + 60 + 60	
Piping connections	Liquid	Type	Flare	
		Diameter	7/8"	
	Suction Gas	Type	Brazing	
		Diameter	1-5/8"	
	Discharge Gas	Type	Flare	
		Diameter	1-3/8"	
Balance	Type	Flare		
	Diameter	3/8"		
Indoor units	Maximum capacity of combined indoor units		50 to 150%(*7)	
	Maximum number of indoor units(*8)		64	
Sound pressure level	Cooling	dB(A)	71.5	
	Heating	dB(A)	71.5	
Operation temperature range	Cooling	*FDB	14 to 122	
	Heating	*FWB	-13 to 60	

### Note

(\*1) Rated conditions  
Cooling : Indoor air temperature 80 F Dry Bulb / 67 F Wet Bulb , Outdoor air temperature 95 F Dry Bulb.  
Heating : Indoor air temperature 70 F Dry Bulb, Outdoor air temperature 47 F Dry Bulb / 43 F Wet Bulb.  
Equivalent piping length: 150 ft, Height difference: 0 ft

(\*2) Value for only outdoor unit

(\*3) Setting is necessary

(\*4) The amount dose not consider extra piping length. Refrigerant must be added on site in accordance with the actual piping length.

(\*5) Discharge temp. sensor / Suction temp. sensor / High-pressure sensor / Low-pressure sensor / PC board fuse

(\*6) MOCP : Maximum Overcurrent Protection(Amps)

(\*7) Permanent operation below 80% is not recommended.

(\*8) It is 54 units in case central control is in system.



## System with Non-ducted indoor units

Model name			MMY-AP192S6FT9P-UL	MMY-AP240S6FT9P-UL	MMY-AP288S6FT9P-UL	MMY-AP336S6FT9P-UL
Outdoor unit model name			MMY-MAP1206FT9P-UL	MMY-MAP1206FT9P-UL	MMY-MAP1686FT9P-UL	MMY-MAP1686FT9P-UL
			MMY-MAP0726FT9P-UL	MMY-MAP1206FT9P-UL	MMY-MAP1206FT9P-UL	MMY-MAP1686FT9P-UL
			-	-	-	0.0
Power Supply	Nominal voltage	V/Ph/Hz	208-230 / 3 / 60	208-230 / 3 / 60	208-230 / 3 / 60	208-230 / 3 / 60
	Voltage range	V	187Minimum / 253 Maximum	187Minimum / 253 Maximum	187Minimum / 253 Maximum	187Minimum / 253 Maximum
Cooling	Nominal capacity (*1)	Btu/h	192,000	240,000	288,000	336,000
	Rated capacity (*1)	Btu/h	184,000	230,000	276,000	320,000
	Rated power consumption (*1)(*2)	kW	15.29	20.91	26.12	30.88
	Rated EER (*1)(*2)	(Btu/h)/W	12.0	11.0	10.6	10.4
Heating	Nominal capacity (*1)	Btu/h	216,000	270,000	324,000	378,000
	Rated capacity (*1)	Btu/h	206,000	256,000	308,000	360,000
	Rated power consumption (*1)(*2)	kW	16.36	20.90	26.28	31.66
	Rated COP (*1)(*2)	W/W	3.69	3.59	3.43	3.33
Weight	Unit	lbs	721 + 600	721 + 721	882 + 721	882 + 882
	Packing	lbs	761 + 635	761 + 761	924 + 761	924 + 924
Color			Silky shade (Munsell 1Y8.5/0.5)	Silky shade (Munsell 1Y8.5/0.5)	Silky shade (Munsell 1Y8.5/0.5)	Silky shade (Munsell 1Y8.5/0.5)
Compressor	Type		Hermetic twin rotary compressor	Hermetic twin rotary compressor	Hermetic twin rotary compressor	Hermetic twin rotary compressor
	Motor output	kW	4.0 x 2 + 2.1 x 2	4.0 x 2 + 4.0 x 2	6.5 x 2 + 4.0 x 2	6.5 x 2 + 6.5 x 2
Fan unit	Type		Propeller fan	Propeller fan	Propeller fan	Propeller fan
	Motor output	kW	1.0 + 1.0	1.0 + 1.0	1.0+1.0 + 1.0	1.0+1.0 + 1.0+1.0
	Air volume	cfm	7700 + 5900	7700 + 7700	10850 + 7700	10850 + 10850
Maximum external static pressure (*3)			In.WG	0.16	0.16	0.16
Heat exchanger			Finned tube	Finned tube	Finned tube	Finned tube
Refrigerant	Name		R410A	R410A	R410A	R410A
	Charged refrigerant amount (*4)	kg	24.3 + 24.3	24.3 + 24.3	24.3 + 24.3	24.3 + 24.3
High-pressure switch			psi	OFF:420 ON:540	OFF:420 ON:540	OFF:420 ON:540
Protective devices				(*5)	(*5)	(*5)
Power supply wiring	MCA	A	45.4 + 23.3	45.4 + 45.4	66.2 + 45.4	66.2 + 66.2
	MOCP (*6)	A	50 + 30	50 + 50	70 + 50	70 + 70
Piping connections	Liquid	Type	Flare	Flare	Flare	Flare
		Diameter	In	7/8"	7/8"	7/8"
	Suction Gas	Type	Brazing	Brazing	Brazing	Brazing
		Diameter	In	1-1/8"	1-3/8"	1-3/8"
	Discharge Gas	Type	Flare	Flare	Flare	Flare
		Diameter	In	7/8"	1-1/8"	1-1/8"
	Balance	Type	Flare	Flare	Flare	Flare
		Diameter	In	3/8"	3/8"	3/8"
Indoor units	Maximum capacity of combined indoor units		50 to 150%(*7)	50 to 150%(*7)	50 to 150%(*7)	50 to 150%(*7)
	Maximum number of indoor units(*8)		34	42	50	60
Sound pressure level	Cooling	dB(A)	64.0	66.0	68.5	69.5
	Heating	dB(A)	65.5	67.0	69.0	70.0
Operation temperature range	Cooling	°FDB	14 to 122	14 to 122	14 to 122	14 to 122
	Heating	°FWB	-13 to 60	-13 to 60	-13 to 60	-13 to 60

### Note

(\*1) Rated conditions Cooling : Indoor air temperature 80 F Dry Bulb / 67 F Wet Bulb , Outdoor air temperature 95 F Dry Bulb.  
Heating : Indoor air temperature 70 F Dry Bulb, Outdoor air temperature 47 F Dry Bulb / 43 F Wet Bulb.  
Equivalent piping length: 100 ft, Height difference: 0 ft

(\*2) Value for only outdoor unit

(\*3) Setting is necessary

(\*4) The amount dose not consider extra piping length. Refrigerant must be added on site in accordance with the actual piping length.

(\*5) Discharge temp. sensor / Suction temp. sensor / High-pressure sensor / Low-pressure sensor / PC board fuse

(\*6) MOCP : Maximum Overcurrent Protection(Amps)

(\*7) Permanent operation below 80% is not recommended.

(\*8) It is 54 units in case central control is in system.

## System with Ducted indoor units

Model name			MMY-MAP0726FT9P-UL	MMY-MAP0966FT9P-UL	MMY-MAP1206FT9P-UL	
Power Supply	Nominal voltage	V/Ph/Hz	208-230 / 3 / 60	208-230 / 3 / 60	208-230 / 3 / 60	
	Voltage range	V	187Minimum / 253 Maximum	187Minimum / 253 Maximum	187Minimum / 253 Maximum	
Cooling	Nominal capacity (*1)	Btu/h	72000	96000	120000	
	Rated capacity (*1)	Btu/h	69000	92000	114000	
	Rated power consumption (*1)(*2)	kW	5.11	7.34	9.05	
	Rated EER (*1)(*2)	(Btu/h)/W	13.5	12.5	12.6	
Heating	Nominal capacity (*1)	Btu/h	81000	108000	135000	
	Rated capacity (*1)	Btu/h	77000	103000	129000	
	Rated power consumption (*1)(*2)	kW	6.25	7.61	10.34	
	Rated COP (*1)(*2)	W/W	3.61	3.97	3.66	
Dimension	Unit	Height	In	72.9	72.9	
		Width	In	39.0	47.6	
		Depth	In	30.7	30.7	
	Packing	Height	In	76.3	76.3	
		Width	In	41.8	50.5	
		Depth	In	32.6	32.6	
Weight	Unit	lbs	600	721	721	
	Packing	lbs	635	761	761	
Color			Silky shade (Munsell 1Y8.5/0.5)	Silky shade (Munsell 1Y8.5/0.5)	Silky shade (Munsell 1Y8.5/0.5)	
Compressor	Type		Hermetic twin rotary compressor	Hermetic twin rotary compressor	Hermetic twin rotary compressor	
	Motor output	kW	2.1 x 2	3.0 x 2	4.0 x 2	
Fan unit	Type		Propeller fan	Propeller fan	Propeller fan	
	Motor output	kW	1.0	1.0	1.0	
	Air volume	cfm	5900	7480	7700	
Maximum external static pressure (*3)			In.WG	0.24	0.16	
Heat exchanger			Finned tube	Finned tube	Finned tube	
Refrigerant	Name		R410A	R410A	R410A	
	Charged refrigerant amount (*4)	lbs	24.3	24.3	24.3	
High-pressure switch			psi	OFF:420 ON:540	OFF:420 ON:540	
Protective devices			(*5)	(*5)	(*5)	
Power supply wiring	MCA	A	23.3	34.2	45.4	
	MOCP (*6)	A	30.0	40.0	50.0	
Piping connections	Liquid	Type		Flare	Flare	
		Diameter	In	1/2"	1/2"	
	Suction Gas	Type		Brazing	Brazing	Brazing
		Diameter	In	7/8"	7/8"	1-1/8"
	Discharge Gas	Type		Flare	Flare	Flare
		Diameter	In	3/4"	3/4"	3/4"
	Balance	Type		Flare	Flare	Flare
		Diameter	In	3/8"	3/8"	3/8"
Indoor units	Maximum capacity of combined indoor units		50 to 150%(*7)	50 to 150%(*7)	50 to 150%(*7)	
	Maximum number of indoor units(*8)		12	16	21	
Sound pressure level	Cooling	dB(A)	57.0	62.0	63.0	
	Heating	dB(A)	60.0	62.0	64.0	
Operation temperature range	Cooling	*FDB	14 to 122	14 to 122	14 to 122	
	Heating	*FWB	-13 to 60	-13 to 60	-13 to 60	

### Note

(\*1) Rated conditions Cooling : Indoor air temperature 80 F Dry Bulb / 67 F Wet Bulb , Outdoor air temperature 95 F Dry Bulb.  
Heating : Indoor air temperature 70 F Dry Bulb, Outdoor air temperature 47 F Dry Bulb / 43 F Wet Bulb.  
Equivalent piping length : 25 ft, Height difference : 0 ft

(\*2) Value for only outdoor unit

(\*3) Setting is necessary

(\*4) The amount dose not consider extra piping length. Refrigerant must be added on site in accordance with the actual piping length.

(\*5) Discharge temp. sensor / Suction temp. sensor / High-pressure sensor / Low-pressure sensor / PC board fuse

(\*6) MOCP : Maximum Overcurrent Protection(Amps)

(\*7) Permanent operation below 80% is not recommended.

(\*8) It is 54 units in case central control is in system.

## System with Ducted indoor units

Model name			MMY-MAP1446FT9P-UL	MMY-MAP1686FT9P-UL	
Power Supply	Nominal voltage	V/Ph/Hz	208-230 / 3 / 60	208-230 / 3 / 60	
	Voltage range	V	187Minimum / 253 Maximum	187Minimum / 253 Maximum	
Cooling	Nominal capacity (*1)	Btu/h	144000	168000	
	Rated capacity (*1)	Btu/h	138000	160000	
	Rated power consumption (*1)(*2)	kW	11.29	14.48	
	Rated EER (*1)(*2)	(Btu/h)/W	12.2	11.1	
Heating	Nominal capacity (*1)	Btu/h	162000	189000	
	Rated capacity (*1)	Btu/h	154000	180000	
	Rated power consumption (*1)(*2)	kW	12.02	15.38	
	Rated COP (*1)(*2)	W/W	3.75	3.43	
Dimension	Unit	Height	In	72.9	72.9
		Width	In	63.0	63.0
		Depth	In	30.7	30.7
	Packing	Height	In	76.3	76.3
		Width	In	65.8	65.8
		Depth	In	32.6	32.6
Weight	Unit	lbs	882	882	
	Packing	lbs	924	924	
Color			Silky shade (Munsell 1Y8.5/0.5)	Silky shade (Munsell 1Y8.5/0.5)	
Compressor	Type		Hermetic twin rotary compressor	Hermetic twin rotary compressor	
	Motor output	kW	5.4 x 2	6.5 x 2	
Fan unit	Type		Propeller fan	Propeller fan	
	Motor output	kW	1.0+1.0	1.0+1.0	
	Air volume	cfm	10850	10850	
Maximum external static pressure (*3)		In,WG	0.16	0.16	
Heat exchanger			Finned tube	Finned tube	
Refrigerant	Name		R410A	R410A	
	Charged refrigerant amount (*4)	lbs	24.3	24.3	
High-pressure switch		psi	OFF:420 ON:540	OFF:420 ON:540	
Protective devices			(*5)	(*5)	
Power supply wiring	MCA	A	52.1	66.2	
	MOCP (*6)	A	60.0	70.0	
Piping connections	Liquid	Type	Flare	Flare	
		Diameter	In	5/8"	3/4"
	Suction Gas	Type	Brazing	Brazing	
		Diameter	In	1-1/8"	1-1/8"
	Discharge Gas	Type	Flare	Flare	
		Diameter	In	7/8"	7/8"
	Balance	Type	Flare	Flare	
		Diameter	In	3/8"	3/8"
Indoor units	Maximum capacity of combined indoor units		50 to 150%(*7)	50 to 150%(*7)	
	Maximum number of indoor units(*8)		25	30	
Sound pressure level	Cooling	dB(A)	66.5	66.5	
	Heating	dB(A)	66.5	67.0	
Operation temperature range	Cooling	°FDB	14 to 122	14 to 122	
	Heating	°FWB	-13 to 60	-13 to 60	

### Note

(\*1) Rated conditions      Cooling : Indoor air temperature 80 F Dry Bulb / 67 F Wet Bulb , Outdoor air temperature 95 F Dry Bulb.  
 Heating : Indoor air temperature 70 F Dry Bulb, Outdoor air temperature 47 F Dry Bulb / 43 F Wet Bulb.  
 Equivalent piping length: 50 ft, Height difference: 0 ft

(\*2) Value for only outdoor unit

(\*3) Setting is necessary

(\*4) The amount does not consider extra piping length. Refrigerant must be added on site in accordance with the actual piping length.

(\*5) Discharge temp. sensor / Suction temp. sensor / High-pressure sensor / Low-pressure sensor / PC board fuse

(\*6) MOCP : Maximum Overcurrent Protection(Amps)

(\*7) Permanent operation below 80% is not recommended.

(\*8) It is 54 units in case central control is in system.



### System with Ducted indoor units

Model name			MMY-AP1926FT9P-UL	MMY-AP2166FT9P-UL	MMY-AP2406FT9P-UL	MMY-AP2646FT9P-UL
Outdoor unit model name			MMY-MAP0966FT9P-UL	MMY-MAP1206FT9P-UL	MMY-MAP1446FT9P-UL	MMY-MAP1446FT9P-UL
			MMY-MAP0966FT9P-UL	MMY-MAP0966FT9P-UL	MMY-MAP0966FT9P-UL	MMY-MAP1206FT9P-UL
Power Supply	Nominal voltage	V/Ph/Hz	208-230 / 3 / 60	208-230 / 3 / 60	208-230 / 3 / 60	208-230 / 3 / 60
	Voltage range	V	187Minimum / 253 Maximum	187Minimum / 253 Maximum	187Minimum / 253 Maximum	187Minimum / 253 Maximum
Cooling	Nominal capacity (*1)	Btu/h	192,000	216,000	240,000	264,000
	Rated capacity (*1)	Btu/h	184,000	206,000	230,000	252,000
	Rated power consumption (*1)(*2)	kW	14.91	17.29	19.26	22.01
	Rated EER (*1)(*2)	(Btu/h)/W	12.3	11.9	11.9	11.5
Heating	Nominal capacity (*1)	Btu/h	216,000	243,000	270,000	297,000
	Rated capacity (*1)	Btu/h	206,000	232,000	256,000	282,000
	Rated power consumption (*1)(*2)	kW	15.36	17.09	19.99	22.80
	Rated COP (*1)(*2)	W/W	3.93	3.98	3.75	3.62
Weight	Unit	lbs	721 + 721	721 + 721	882 + 721	882 + 721
	Packing	lbs	761 + 761	761 + 761	924 + 761	924 + 761
Color			Silky shade (Munsell 1Y8.5/0.5)	Silky shade (Munsell 1Y8.5/0.5)	Silky shade (Munsell 1Y8.5/0.5)	Silky shade (Munsell 1Y8.5/0.5)
Compressor	Type		Hermetic twin rotary compressor	Hermetic twin rotary compressor	Hermetic twin rotary compressor	Hermetic twin rotary compressor
	Motor output	kW	3.0 x 2 + 3.0 x 2	4.0 x 2 + 3.0 x 2	5.4 x 2 + 3.0 x 2	5.4 x 2 + 4.0 x 2
Fan unit	Type		Propeller fan	Propeller fan	Propeller fan	Propeller fan
	Motor output	kW	1.0 + 1.0	1.0 + 1.0	1.0+1.0 + 1.0	1.0+1.0 + 1.0
	Air volume	cfm	7480 + 7480	7700 + 7480	10850 + 7480	10850 + 7700
Maximum external static pressure (*3)			In.WG	0.16	0.16	0.16
Heat exchanger			Finned tube	Finned tube	Finned tube	Finned tube
Refrigerant	Name		R410A	R410A	R410A	R410A
	Charged refrigerant amount (*4)	lbs	24.3 + 24.3	24.3 + 24.3	24.3 + 24.3	24.3 + 24.3
High-pressure switch			psi	OFF:420 ON:540	OFF:420 ON:540	OFF:420 ON:540
Protective devices				(*5)	(*5)	(*5)
Power supply wiring	MCA	A	34.2 + 34.2	45.4 + 34.2	52.1 + 34.2	52.1 + 45.4
	MOCP (*6)	A	40 + 40	50 + 40	60 + 40	60 + 50
Piping connections	Liquid	Type	Flare	Flare	Flare	Flare
		Diameter	In	3/4"	3/4"	3/4"
	Suction Gas	Type	Brazing	Brazing	Brazing	Brazing
		Diameter	In	1-1/8"	1-3/8"	1-3/8"
	Discharge Gas	Type	Flare	Flare	Flare	Flare
		Diameter	In	7/8"	1-1/8"	1-1/8"
Balance	Type	Flare	Flare	Flare	Flare	
	Diameter	In	3/8"	3/8"	3/8"	3/8"
Indoor units	Maximum capacity of combined indoor units		50 to 150%(*7)	50 to 150%(*7)	50 to 150%(*7)	50 to 150%(*7)
	Maximum number of indoor units(*8)		34	38	42	46
Sound pressure level	Cooling	dB(A)	65.0	65.5	68.0	68.5
	Heating	dB(A)	65.0	66.5	68.0	68.5
Operation temperature range	Cooling	°FDB	14 to 122	14 to 122	14 to 122	14 to 122
	Heating	°FWB	-13 to 60	-13 to 60	-13 to 60	-13 to 60

**Note**

(\*1) Rated conditions  
 Cooling : Indoor air temperature 80 F Dry Bulb / 67 F Wet Bulb , Outdoor air temperature 95 F Dry Bulb.  
 Heating : Indoor air temperature 70 F Dry Bulb, Outdoor air temperature 47 F Dry Bulb / 43 F Wet Bulb.  
 Equivalent piping length: 50 ft, Height difference: 0 ft

(\*2) Value for only outdoor unit

(\*3) Setting is necessary

(\*4) The amount dose not consider extra piping length. Refrigerant must be added on site in accordance with the actual piping length.

(\*5) Discharge temp. sensor / Suction temp. sensor / High-pressure sensor / Low-pressure sensor / PC board fuse

(\*6) MOCP : Maximum Overcurrent Protection(Amps)

(\*7) Permanent operation below 80% is not recommended.

(\*8) It is 54 units in case central control is in system.

## System with Ducted indoor units

Model name			MMY-AP2886FT9P-UL	MMY-AP3126FT9P-UL
Outdoor unit model name			MMY-MAP1446FT9P-UL	MMY-MAP1686FT9P-UL
			MMY-MAP1446FT9P-UL	MMY-MAP1446FT9P-UL
Power Supply	Nominal voltage	V/Ph/Hz	208-230 / 3 / 60	208-230 / 3 / 60
	Voltage range	V	187Minimum / 253 Maximum	187Minimum / 253 Maximum
Cooling	Nominal capacity (*1)	Btu/h	288,000	312,000
	Rated capacity (*1)	Btu/h	276,000	298,000
	Rated power consumption (*1)(*2)	kW	23.96	28.61
	Rated EER (*1)(*2)	(Btu/h)/W	11.5	10.4
Heating	Nominal capacity (*1)	Btu/h	324,000	351,000
	Rated capacity (*1)	Btu/h	308,000	334,000
	Rated power consumption (*1)(*2)	kW	24.97	28.61
	Rated COP (*1)(*2)	W/W	3.62	3.42
Weight	Unit	lbs	882 + 882	882 + 882
	Packing	lbs	924 + 924	924 + 924
Color			Silky shade (Munsell 1Y8.5/0.5)	Silky shade (Munsell 1Y8.5/0.5)
Compressor	Type		Hermetic twin rotary compressor	Hermetic twin rotary compressor
	Motor output	kW	5.4 x 2 + 5.4 x 2	6.5 x 2 + 5.4 x 2
Fan unit	Type		Propeller fan	Propeller fan
	Motor output	kW	1.0+1.0 + 1.0+1.0	1.0+1.0 + 1.0+1.0
	Air volume	cfm	10850 + 10850	10850 + 10850
Maximum external static pressure (*3)			In.WG	0.16
Heat exchanger			Finned tube	Finned tube
Refrigerant	Name		R410A	R410A
	Charged refrigerant amount (*4)	lbs	24.3 + 24.3	24.3 + 24.3
High-pressure switch			psi	OFF:420 ON:540
Protective devices				(*5)
Power supply wiring	MCA	A	52.1 + 52.1	66.2 + 52.1
	MOCP (*6)	A	60 + 60	70 + 60
Piping connections	Liquid	Type	Flare	Flare
		Diameter	In	7/8"
	Suction Gas	Type	Brazing	Brazing
		Diameter	In	1-3/8"
	Discharge Gas	Type	Flare	Flare
		Diameter	In	1-1/8"
	Balance	Type	Flare	Flare
		Diameter	In	3/8"
Indoor units	Maximum capacity of combined indoor units		50 to 150%(*7)	50 to 150%(*7)
	Maximum number of indoor units(*8)		50	55
Sound pressure level	Cooling	dB(A)	69.5	69.5
	Heating	dB(A)	69.5	70.0
Operation temperature range	Cooling	°FDB	14 to 122	14 to 122
	Heating	°FWB	-13 to 60	-13 to 60

### Note

(\*1) Rated conditions      Cooling : Indoor air temperature 80 F Dry Bulb / 67 F Wet Bulb , Outdoor air temperature 95 F Dry Bulb.  
 Heating : Indoor air temperature 70 F Dry Bulb, Outdoor air temperature 47 F Dry Bulb / 43 F Wet Bulb.  
 Equivalent piping length: 50 ft, Height difference: 0 ft

(\*2) Value for only outdoor unit

(\*3) Setting is necessary

(\*4) The amount dose not consider extra piping length. Refrigerant must be added on site in accordance with the actual piping length.

(\*5) Discharge temp. sensor / Suction temp. sensor / High-pressure sensor / Low-pressure sensor / PC board fuse

(\*6) MOCP : Maximum Overcurrent Protection(Amps)

(\*7) Permanent operation below 80% is not recommended.

(\*8) It is 54 units in case central control is in system.



**System with Ducted indoor units**

Model name			MMY-AP3366FT9P-UL	MMY-AP3606FT9P-UL	MMY-AP3846FT9P-UL	MMY-AP4086FT9P-UL
Outdoor unit model name			MMY-MAP1206FT9P-UL	MMY-MAP1206FT9P-UL	MMY-MAP1446FT9P-UL	MMY-MAP1446FT9P-UL
			MMY-MAP1206FT9P-UL	MMY-MAP1206FT9P-UL	MMY-MAP1206FT9P-UL	MMY-MAP1446FT9P-UL
			MMY-MAP0966FT9P-UL	MMY-MAP1206FT9P-UL	MMY-MAP1206FT9P-UL	MMY-MAP1206FT9P-UL
Power Supply	Nominal voltage	V/Ph/Hz	208-230 / 3 / 60	208-230 / 3 / 60	208-230 / 3 / 60	208-230 / 3 / 60
	Voltage range	V	187Minimum / 253 Maximum	187Minimum / 253 Maximum	187Minimum / 253 Maximum	187Minimum / 253 Maximum
Cooling	Nominal capacity (*1)	Btu/h	336,000	360,000	384,000	408,000
	Rated capacity (*1)	Btu/h	320,000	342,000	366,000	390,000
	Rated power consumption (*1)(*2)	kW	30.20	34.72	37.21	39.70
	Rated EER (*1)(*2)	(Btu/h)/W	10.6	9.85	9.84	9.82
Heating	Nominal capacity (*1)	Btu/h	378,000	405,000	432,000	459,000
	Rated capacity (*1)	Btu/h	360,000	386,000	412,000	436,000
	Rated power consumption (*1)(*2)	kW	30.63	32.39	35.72	37.84
	Rated COP (*1)(*2)	W/W	3.44	3.49	3.38	3.38
Weight	Unit	lbs	721 + 721 + 721	721 + 721 + 721	882 + 721 + 721	882 + 882 + 721
	Packing	lbs	761 + 761 + 761	761 + 761 + 761	924 + 761 + 761	924 + 924 + 761
Color			Silky shade (Munsell 1Y8.5/0.5)	Silky shade (Munsell 1Y8.5/0.5)	Silky shade (Munsell 1Y8.5/0.5)	Silky shade (Munsell 1Y8.5/0.5)
Compressor	Type		Hermetic twin rotary compressor	Hermetic twin rotary compressor	Hermetic twin rotary compressor	Hermetic twin rotary compressor
	Motor output	kW	4.0 x 2 + 4.0 x 2 + 3.0 x 2	4.0 x 2 + 4.0 x 2 + 4.0 x 2	5.4 x 2 + 4.0 x 2 + 4.0 x 2	5.4 x 2 + 5.4 x 2 + 4.0 x 2
Fan unit	Type		Propeller fan	Propeller fan	Propeller fan	Propeller fan
	Motor output	kW	1.0 + 1.0 + 1.0	1.0 + 1.0 + 1.0	1.0+1.0 + 1.0 + 1.0	1.0+1.0 + 1.0+1.0 + 1.0
	Air volume	cfm	7700 + 7700 + 7480	7700 + 7700 + 7700	10850 + 7700 + 7700	10850 + 10850 + 7700
Maximum external static pressure (*3)			In.WG	0.16	0.16	0.16
Heat exchanger			Finned tube	Finned tube	Finned tube	Finned tube
Refrigerant	Name		R410A	R410A	R410A	R410A
	Charged refrigerant amount (*4)	lbs	24.3 + 24.3 + 24.3	24.3 + 24.3 + 24.3	24.3 + 24.3 + 24.3	24.3 + 24.3 + 24.3
High-pressure switch			psi	OFF:420 ON:540	OFF:420 ON:540	OFF:420 ON:540
Protective devices				(*5)	(*5)	(*5)
Power supply wiring	MCA	A	45.4 + 45.4 + 34.2	45.4 + 45.4 + 45.4	52.1 + 45.4 + 45.4	52.1 + 52.1 + 45.4
	MOCP (*6)	A	50 + 50 + 40	50 + 50 + 50	60 + 50 + 50	60 + 60 + 50
Piping connections	Liquid	Type	Flare	Flare	Flare	Flare
		Diameter	In	7/8"	7/8"	7/8"
	Suction Gas	Type	Brazing	Brazing	Brazing	Brazing
		Diameter	In	1-3/8"	1-5/8"	1-5/8"
	Discharge Gas	Type	Flare	Flare	Flare	Flare
		Diameter	In	1-1/8"	1-3/8"	1-3/8"
	Balance	Type	Flare	Flare	Flare	Flare
		Diameter	In	3/8"	3/8"	3/8"
Indoor units	Maximum capacity of combined indoor units		50 to 150%(*7)	50 to 150%(*7)	50 to 150%(*7)	50 to 150%(*7)
	Maximum number of indoor units(*8)		60	63	64	64
Sound pressure level	Cooling	dB(A)	67.5	68.0	69.5	70.5
	Heating	dB(A)	68.5	69.0	70.0	71.0
Operation temperature range	Cooling	*FDB	14 to 122	14 to 122	14 to 122	14 to 122
	Heating	*FWB	-13 to 60	-13 to 60	-13 to 60	-13 to 60

**Note**

- (\*1) Rated conditions  
Cooling : Indoor air temperature 80 F Dry Bulb / 67 F Wet Bulb , Outdoor air temperture 95 F Dry Bulb.  
Heating : Indoor air temperature 70 F Dry Bulb, Outdoor air temperture 47 F Dry Bulb / 43 F Wet Bulb.  
336 type: Equivalent piping length: 50 ft, Height difference: 0 ft, 360, 384, 408 type : Equivalent piping length: 75 ft, Height difference: 0 ft,
- (\*2) Value for only outdoor unit
- (\*3) Setting is necessary
- (\*4) The amount dose not consider extra piping length. Refrigerant must be added on site in accordance with the actual piping length.
- (\*5) Discharge temp. sensor / Suction temp. sensor / High-pressure sensor / Low-pressure sensor / PC board fuse
- (\*6) MOCP : Maximum Overcurrent Protection(Amps)
- (\*7) Permanent operation below 80% is not recommended.
- (\*8) It is 54 units in case central control is in system.

## System with Ducted indoor units

Model name			MMY-AP4326FT9P-UL	MMY-AP4566FT9P-UL
Outdoor unit model name			MMY-MAP1446FT9P-UL	MMY-MAP1686FT9P-UL
			MMY-MAP1446FT9P-UL	MMY-MAP1446FT9P-UL
			MMY-MAP1446FT9P-UL	MMY-MAP1446FT9P-UL
Power Supply	Nominal voltage	V/Ph/Hz	208-230 / 3 / 60	
	Voltage range	V	187Minimum / 253 Maximum	
Cooling	Nominal capacity (*1)	Btu/h	432,000	456,000
	Rated capacity (*1)	Btu/h	412,000	434,000
	Rated power consumption (*1)(*2)	kW	42.09	45.32
	Rated EER (*1)(*2)	(Btu/h)/W	9.79	9.58
Heating	Nominal capacity (*1)	Btu/h	486,000	513,000
	Rated capacity (*1)	Btu/h	462,000	488,000
	Rated power consumption (*1)(*2)	kW	41.05	43.36
	Rated COP (*1)(*2)	W/W	3.30	3.30
Weight	Unit	lbs	882 + 882 + 882	
	Packing	lbs	924 + 924 + 924	
Color			Silky shade (Munsell 1Y8.5/0.5)	
Compressor	Type		Hermetic twin rotary compressor	
	Motor output	kW	5.4 x 2 + 5.4 x 2 + 5.4 x 2	
Fan unit	Type		Propeller fan	
	Motor output	kW	1.0+1.0 + 1.0+1.0 + 1.0+1.0	
	Air volume	cfm	10850 + 10850 + 10850	
Maximum external static pressure (*3)			In.WG 0.16	
Heat exchanger			Finned tube	
Refrigerant	Name		R410A	
	Charged refrigerant amount (*4)	lbs	24.3 + 24.3 + 24.3	
High-pressure switch			psi OFF:420 ON:540	
Protective devices			(*5)	
Power supply wiring	MCA	A	52.1 + 52.1 + 52.1	
	MOCP (*6)	A	60 + 60 + 60	
Piping connections	Liquid	Type	Flare	
		Diameter	in 7/8"	
	Suction Gas	Type	Brazing	
		Diameter	in 1-5/8"	
	Discharge Gas	Type	Flare	
		Diameter	in 1-3/8"	
Balance	Type	Flare		
	Diameter	in 3/8"		
Indoor units	Maximum capacity of combined indoor units		50 to 150%(*7)	
	Maximum number of indoor units(*8)		64	
Sound pressure level	Cooling	dB(A)	71.5	
	Heating	dB(A)	71.5	
Operation temperature range	Cooling	°FDB	14 to 122	
	Heating	°FWB	-13 to 60	

### Note

(\*1) Rated conditions  
Cooling : Indoor air temperature 80 F Dry Bulb / 67 F Wet Bulb , Outdoor air temperature 95 F Dry Bulb.  
Heating : Indoor air temperature 70 F Dry Bulb, Outdoor air temperature 47 F Dry Bulb / 43 F Wet Bulb.  
Equivalent piping length: 75 ft, Height difference: 0 ft

(\*2) Value for only outdoor unit

(\*3) Setting is necessary

(\*4) The amount dose not consider extra piping length. Refrigerant must be added on site in accordance with the actual piping length.

(\*5) Discharge temp. sensor / Suction temp. sensor / High-pressure sensor / Low-pressure sensor / PC board fuse

(\*6) MOCP : Maximum Overcurrent Protection(Amps)

(\*7) Permanent operation below 80% is not recommended.

(\*8) It is 54 units in case central control is in system.



## System with Non-ducted indoor units

Model name			MMY-AP192S6FT9P-UL	MMY-AP240S6FT9P-UL	MMY-AP288S6FT9P-UL	MMY-AP336S6FT9P-UL
Outdoor unit model name			MMY-MAP1206FT9P-UL	MMY-MAP1206FT9P-UL	MMY-MAP1686FT9P-UL	MMY-MAP1686FT9P-UL
			MMY-MAP0726FT9P-UL	MMY-MAP1206FT9P-UL	MMY-MAP1206FT9P-UL	MMY-MAP1686FT9P-UL
Power Supply	Nominal voltage	V/Ph/Hz	208-230 / 3 / 60	208-230 / 3 / 60	208-230 / 3 / 60	208-230 / 3 / 60
	Voltage range	V	187Minimum / 253 Maximum	187Minimum / 253 Maximum	187Minimum / 253 Maximum	187Minimum / 253 Maximum
Cooling	Nominal capacity (*1)	Btu/h	192,000	240,000	288,000	336,000
	Rated capacity (*1)	Btu/h	184,000	230,000	276,000	320,000
	Rated power consumption (*1)(*2)	kW	15.19	20.81	26.99	32.44
	Rated EER (*1)(*2)	(Btu/h)/W	12.1	11.1	10.2	9.86
Heating	Nominal capacity (*1)	Btu/h	216,000	270,000	324,000	378,000
	Rated capacity (*1)	Btu/h	206,000	256,000	308,000	360,000
	Rated power consumption (*1)(*2)	kW	15.82	20.60	25.67	31.82
	Rated COP (*1)(*2)	W/W	3.82	3.64	3.52	3.32
Weight	Unit	lbs	721 + 600	721 + 721	882 + 721	882 + 882
	Packing	lbs	761 + 635	761 + 761	924 + 761	924 + 924
Color			Silky shade (Munsell 1Y8.5/0.5)	Silky shade (Munsell 1Y8.5/0.5)	Silky shade (Munsell 1Y8.5/0.5)	Silky shade (Munsell 1Y8.5/0.5)
Compressor	Type		Hermetic twin rotary compressor	Hermetic twin rotary compressor	Hermetic twin rotary compressor	Hermetic twin rotary compressor
	Motor output	kW	4.0 x 2 + 2.1 x 2	4.0 x 2 + 4.0 x 2	6.5 x 2 + 4.0 x 2	6.5 x 2 + 6.5 x 2
Fan unit	Type		Propeller fan	Propeller fan	Propeller fan	Propeller fan
	Motor output	kW	1.0 + 1.0	1.0 + 1.0	1.0+1.0 + 1.0	1.0+1.0 + 1.0+1.0
	Air volume	cfm	7700 + 5900	7700 + 7700	10850 + 7700	10850 + 10850
Maximum external static pressure (*3)			In.WG	0.16	0.16	0.16
Heat exchanger			Finned tube	Finned tube	Finned tube	Finned tube
Refrigerant	Name		R410A	R410A	R410A	R410A
	Charged refrigerant amount (*4)	lbs	24.3 + 24.3	24.3 + 24.3	24.3 + 24.3	24.3 + 24.3
High-pressure switch			psi	OFF:420 ON:540	OFF:420 ON:540	OFF:420 ON:540
Protective devices				(*5)	(*5)	(*5)
Power supply wiring	MCA	A	45.4 + 23.3	45.4 + 45.4	66.2 + 45.4	66.2 + 66.2
	MOCP (*6)	A	50 + 30	50 + 50	70 + 50	70 + 70
Piping connections	Liquid	Type	Flare	Flare	Flare	Flare
		Diameter	In	7/8"	7/8"	7/8"
	Suction Gas	Type	Brazing	Brazing	Brazing	Brazing
		Diameter	In	1-1/8"	1-3/8"	1-3/8"
	Discharge Gas	Type	Flare	Flare	Flare	Flare
		Diameter	In	7/8"	1-1/8"	1-1/8"
	Balance	Type	Flare	Flare	Flare	Flare
		Diameter	In	3/8"	3/8"	3/8"
Indoor units	Maximum capacity of combined indoor units		50 to 150%(*7)	50 to 150%(*7)	50 to 150%(*7)	50 to 150%(*7)
	Maximum number of indoor units(*8)		34	42	50	60
Sound pressure level	Cooling	dB(A)	64.0	66.0	68.5	69.5
	Heating	dB(A)	65.5	67.0	69.0	70.0
Operation temperature range	Cooling	°FDB	14 to 122	14 to 122	14 to 122	14 to 122
	Heating	°FWB	-13 to 60	-13 to 60	-13 to 60	-13 to 60

### Note

(\*1) Rated conditions  
Cooling : Indoor air temperature 80 F Dry Bulb / 67 F Wet Bulb , Outdoor air temperature 95 F Dry Bulb.  
Heating : Indoor air temperature 70 F Dry Bulb, Outdoor air temperature 47 F Dry Bulb / 43 F Wet Bulb.  
Equivalent piping length: 50 ft, Height difference: 0 ft

(\*2) Value for only outdoor unit

(\*3) Setting is necessary

(\*4) The amount dose not consider extra piping length. Refrigerant must be added on site in accordance with the actual piping length.

(\*5) Discharge temp. sensor / Suction temp. sensor / High-pressure sensor / Low-pressure sensor / PC board fuse

(\*6) MOCP : Maximum Overcurrent Protection(Amps)

(\*7) Permanent operation below 80% is not recommended.

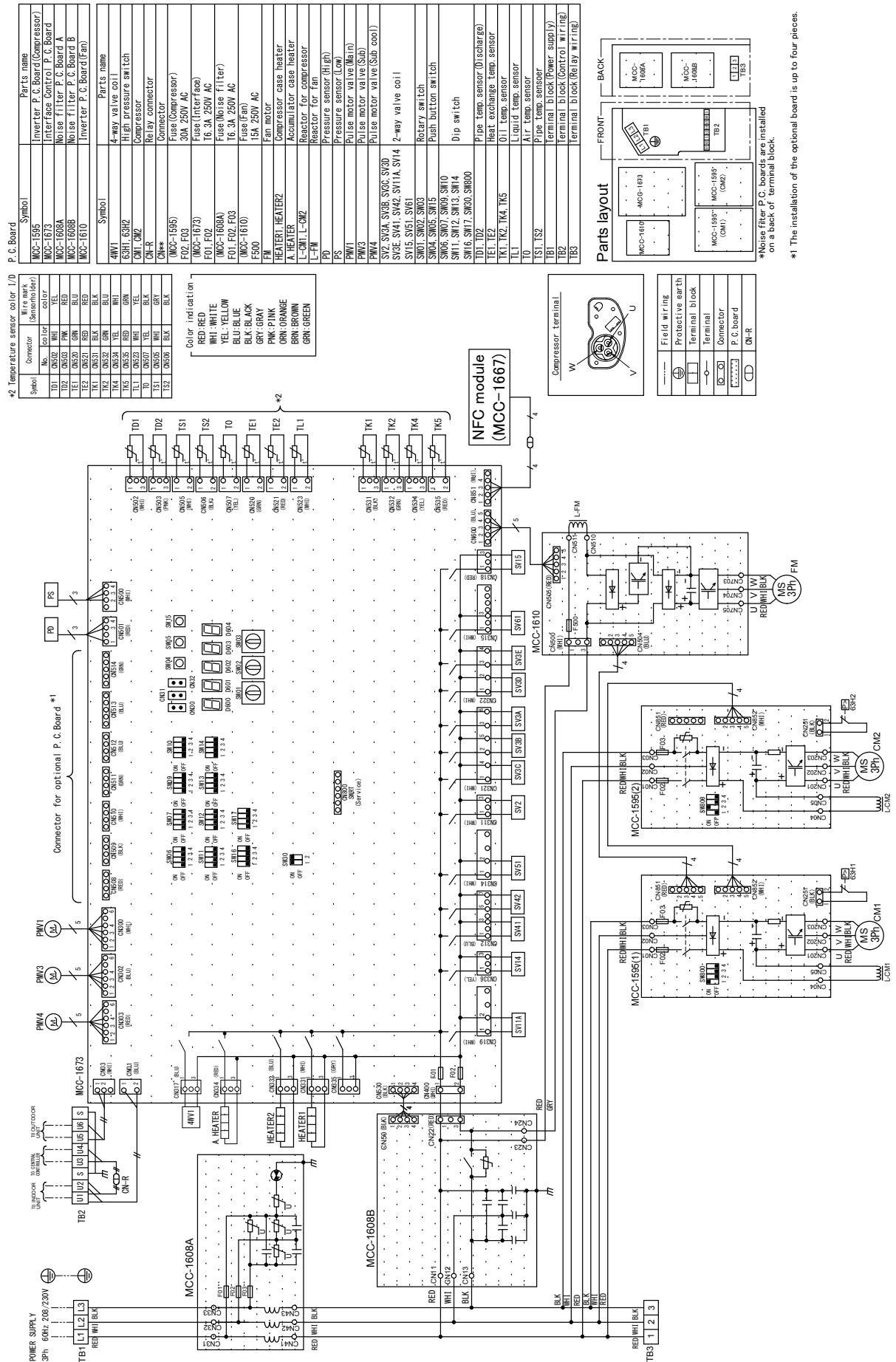
(\*8) It is 54 units in case central control is in system.



# 2 Wiring Diagrams

## 2-1. Outdoor Unit

Models: MMY-MAP0726FT9P-UL



# Models: MMY-MAP0966FT9P-UL, MMY-MAP1206FT9P-UL

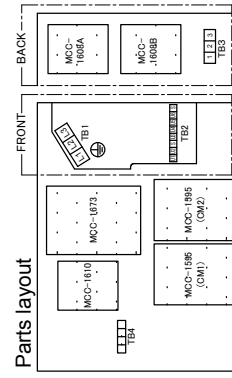
\*2 Temperature sensor color 1/D

Symbol	Connector	Wire mark (Sensor holder)	No.	color
T01	CN502	WHI	WHI	YEL
TD1	CN503	PNK	RED	RED
TE1	CN620	GRN	BLU	BLU
TE2	CN621	GRN	RED	RED
TK1	CN631	BLK	BLK	BLK
TK2	CN632	GRN	BLU	BLU
TK3	CN633	RED	WHI	WHI
TK4	CN634	YEL	YEL	YEL
TK5	CN635	RED	GRN	GRN
TL1	CN623	WHI	YEL	BLK
TS1	CN605	WHI	GRY	BLK
TS2	CN606	BLK	BLK	BLK

Color indication	
RED/RED	WHI/WHITE
YEL/YELLOW	BLU/BLUE
BLK/BLACK	GRY/GRAY
PNK/PINK	ORN/ORANGE
BRN/BROWN	BRN/BROWN
GRN/GREEN	GRN/GREEN

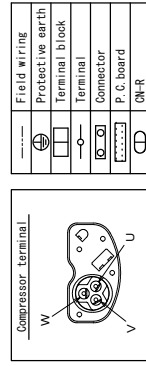
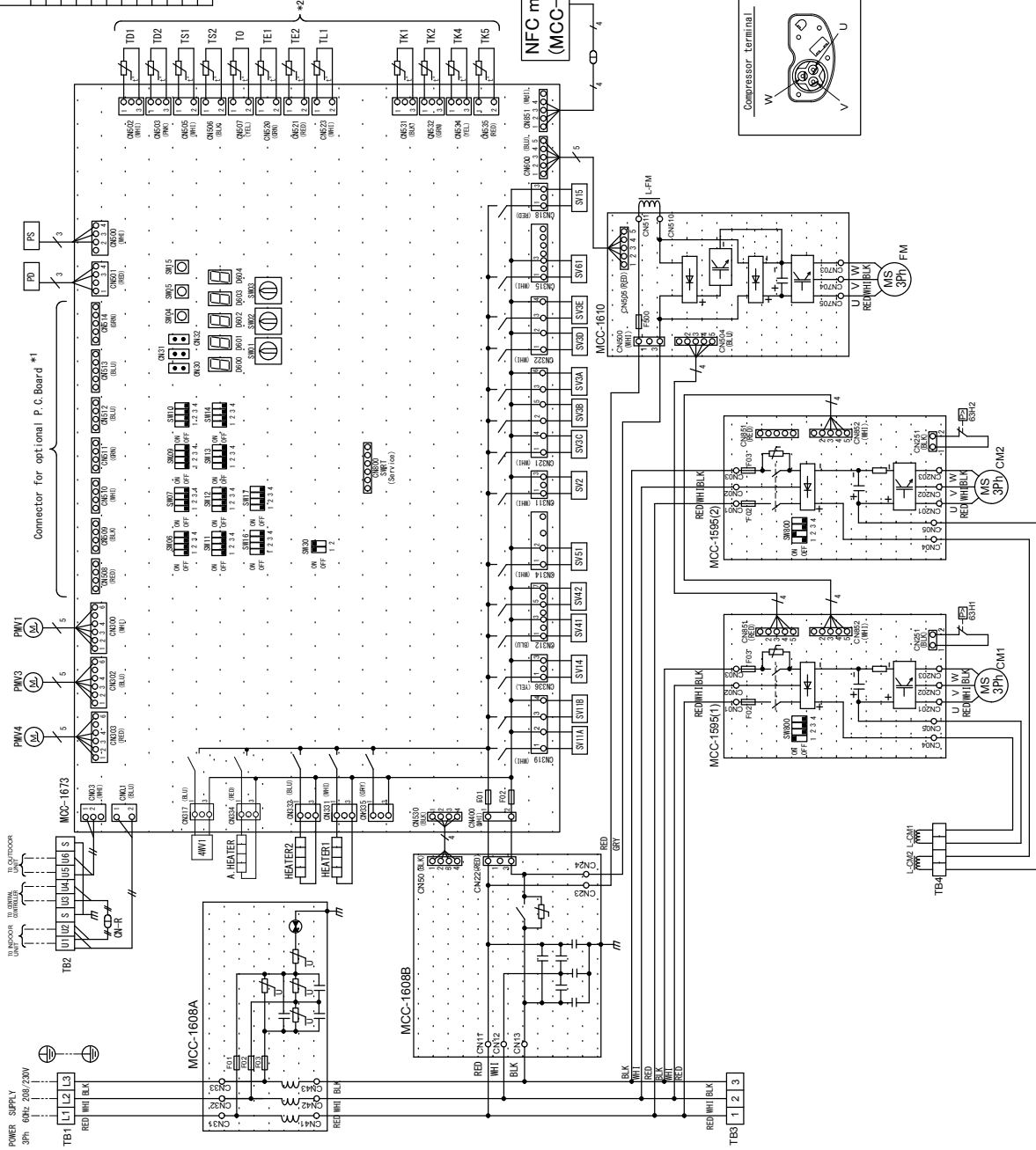
Symbol	Parts name
MCC-1585	Inverter P.C.Board(Compressor)
MCC-1673	Interface Control P.C.Board
MCC-1608A	Noise Filter P.C.Board A
MCC-1610	Inverter P.C.Board(B)
Parts name	
4W1	4-way valve coil
6SH1, 6SH2	High pressure switch
CM1, CM2	Compressor
CM-R	Relay connector
CM**	Fuse (Compressor)
F02, F03	Fuse (Interface)
F01, F02	Fuse (Noise filter)
F01, F02, F03	Fuse (Main filter)
F01, F02, F03	Fuse (Fan)
F00	Fuse (200V AC)
F00	Fuse (250V AC)
FM	Fan motor
HEATER, HEATER2	Compressor case heater
A, HEATER	Accumulator case heater
L-CNT, L-CMZ	Reactor for compressor
PD	Reactor for fan
PS	Pressure sensor (High)
PS	Pressure sensor (Low)
PM1	Pulse motor valve (Main)
PM3	Pulse motor valve (Sub)
PM4	Pulse motor valve (Sub-cool)
SV2, SV3A, SV3B, SV3C, SV3D	2-way valve coil
SV3E, SV11A, SV11B, SV14	Rotary switch
SV15, SV41, SV42, SV51, SV61	Push button switch
SW01, SW02, SW03	Dip switch
SW04, SW05, SW15	Pipe temp. sensor (S10)
SW06, SW07, SW09, SW10	Heat exchange temp. sensor
SW11, SW12, SW13, SW14	Oil temp. sensor
SW16, SW17, SW30, SW800	Liquid temp. sensor
TE1, TD2	Air temp. sensor
TK1, TK2, TK4, TK5	Pipe temp. sensor (Discharge)
TL1	Terminal block (Power supply)
TS1, TS2	Terminal block (Control wiring)
TB1	Terminal block (Relay wiring)
TE3	Terminal block (Relay wiring)
TE4	Terminal block (Relay wiring)

Parts layout



\*Noise filter P.C. boards are installed on a back of terminal block.

\*1 The installation of the optional board is up to four pieces.



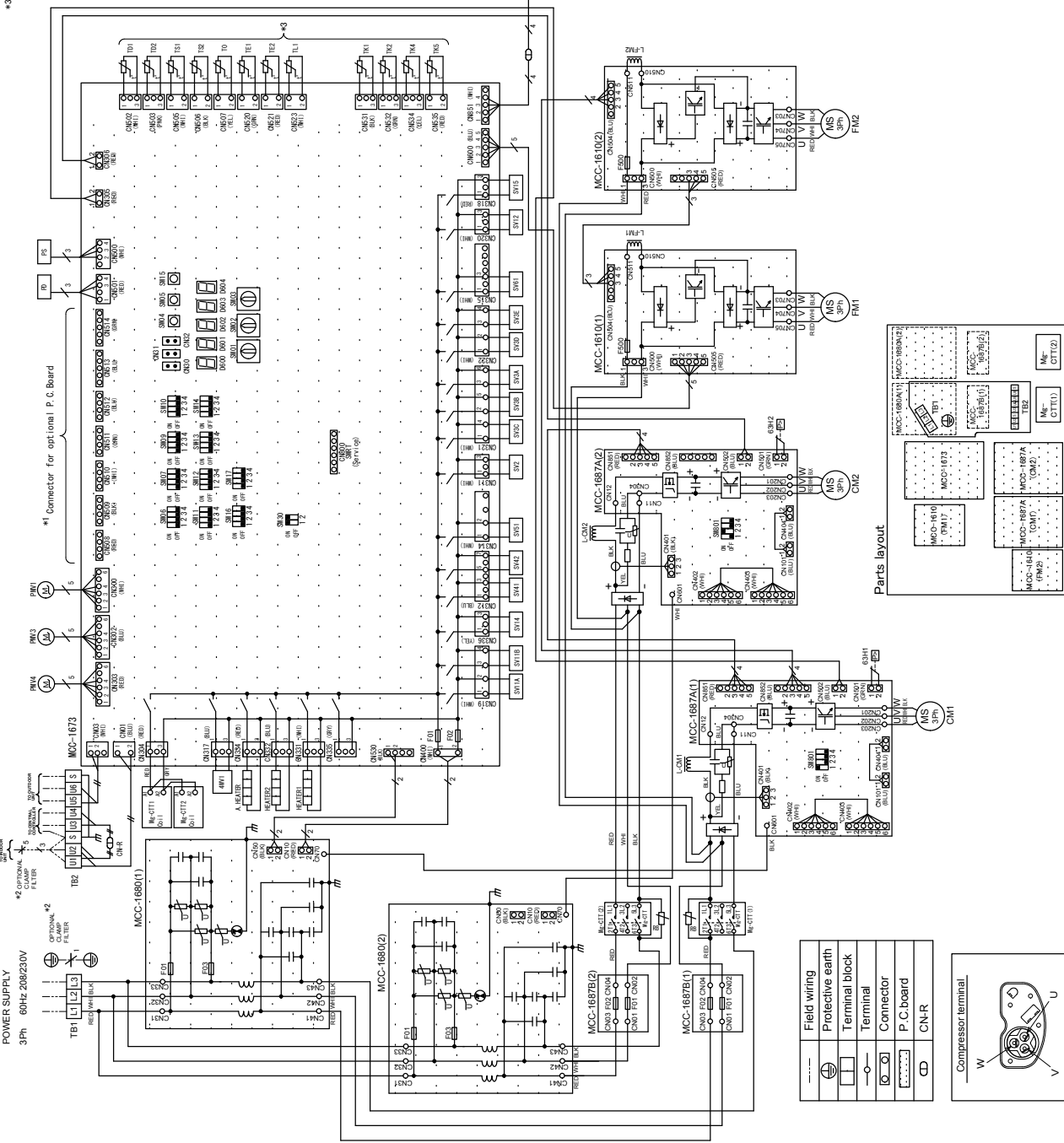
# Models: MMY-MAP1446FT9P-UL, MMY-MAP1686FT9P-UL

Symbol	Wire mark (Sensitonal der)	Parts name
MCC-1687A		Inverter P.C. Board (Compressor)
MCC-1687B		Fuse P.C. Board
MCC-1673	YEL	Interface Control P.C. Board
MCC-1680	RED	Noise filter P.C. Board A
MCC-1610	BLU	Inverter P.C. Board (Fan)
Symbol	Parts name	
4WV1	4-way valve coil	
63HT_63H2	High pressure switch	
CM1/CM2	Compressor	
CNR	Relay connector	
CN**	Connector	
F01.F02	Fuse (Compressor) 70A 250V AC	
F01.F02	Fuse (Interface) 16.3A 250V AC	
(MCC-1680)	Fuse (Noise filter) T6.3A 250V AC	
(MCC-1610)	Fuse (Fan) 15A 250V AC	
F500	Fan motor	
FM1/ FM2	Compressor case heater	
HEATER1/ HEATER2	Accumulator case heater	
A-HEATER	Reactor for compressor	
L-CM1/L-CM2	Reactor for fan	
L-FM1/L-FM2	Magnet coil	
Mg-CT11, Mg-CT12	Pressure sensor (High)	
PS	Pressure sensor (Low)	
PMV1	Pulse motor valve (Main)	
PMV3	Pulse motor valve (Sub)	
PMV4	Pulse motor valve (Sub cool)	
RB	Rush current protect resistor	
SV2, SV3A, SV3B, SV3C, SV3D, SV3E, SV11A, SV11B, SV12, SV14, SV15, SV41, SV42, SV51, SV61	2-way valve coil	
SW01, SW02, SW03	Rotary switch	
SW04, SW05, SW15	Push button switch	
SW06, SW07, SW08, SW10, SW11, SW12, SW13, SW14, SW16, SW17, SW30, SW601	Dip switch	
TDT, TD2	Pipe temp. sensor (Discharge)	
TE1, TE2	Heat exchange temp. sensor	
TK1, TK2, TK4, TK5	Liquid temp. sensor	
TL1	Air temp. sensor	
TO	Pipe temp. sensor (Suction)	
TS1, TS2	Terminal block (Power supply)	
TB1	Terminal block (Control wiring)	
TB2	Terminal block (Control wiring)	

\*3 Temperature sensor color I/D

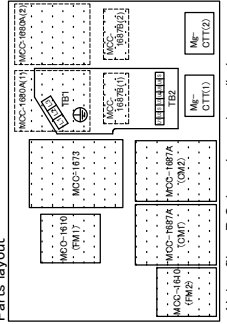
Symbol	Connector No.	Wire color
TD1	CH202	WHI
TD2	CH203	GRN
TE1	CH220	RED
TE2	CH221	RED
TK1	CH231	BLK
TK2	CH232	GRN
TK4	CH234	YEL
TK5	CH235	RED
TL1	CH223	WHI
TO	CH207	YEL
TS1	CH205	WHI
TS2	CH206	BLK

Color indication  
 RED-RED  
 WHI-WHITE  
 YEL-YELLOW  
 BLU-BLUE  
 BLK-BLACK  
 GRY-GRAY  
 PNK-PINK  
 ORN-ORANGE  
 BRN-BROWN  
 GRN-GREEN  
 PUR-PURPLE



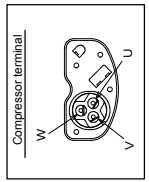
- \*1 The installation of the optional board is up to four pieces.
- \*2 Install the optional Clamp filter on-site (43T60472).

Parts layout



\*Noise filter P.C. boards are installed on a back of terminal block.

Field wiring	Symbol
Protective earth	⊕
Terminal block	⊕
Terminal	⊕
Connector	⊕
P.C. board	⊕
CNR	⊕



## 2-2. Single port FS unit (Flow Selector unit)

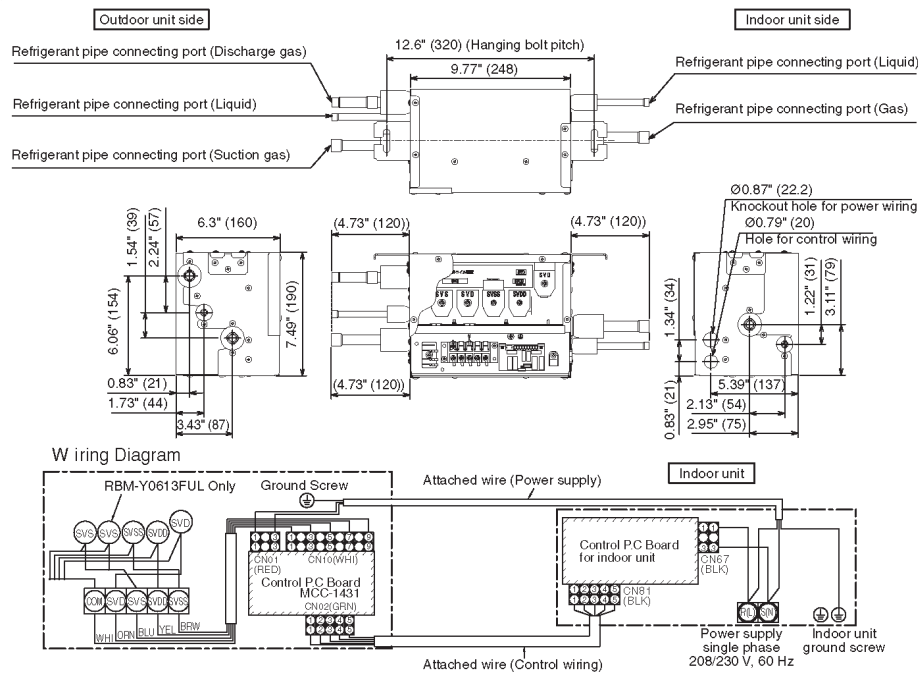
### Specifications

Model Name		RBM-Y0383FUL	RBM-Y0613FUL	RBM-Y0963FUL
Power supply		208/230 V - 1phase - 60 Hz		
Connectable indoor unit capacity (kBtu/h)		Below 38	38 to below 61	61 to 96 or less
Dimension	Height (in)	7.49	7.49	7.88
	Width (in)	9.77	9.77	15.8
	Depth (in)	6.3	6.3	7.88
Total Weight (lbs)		11	13	20
Connecting port dia. (Indoor unit side)	Liquid side (in)	3/8"	3/8"	1/2"
	Gas side (in)	5/8"	5/8"	7/8"
Connecting port dia. (Outdoor unit side)	Liquid side (in)	3/8"	3/8"	1/2"
	Discharge gas side (in)	1/2"	1/2"	1/4"
	Gas side (in)	5/8"	5/8"	7/8"
Connection		Blaze connection		

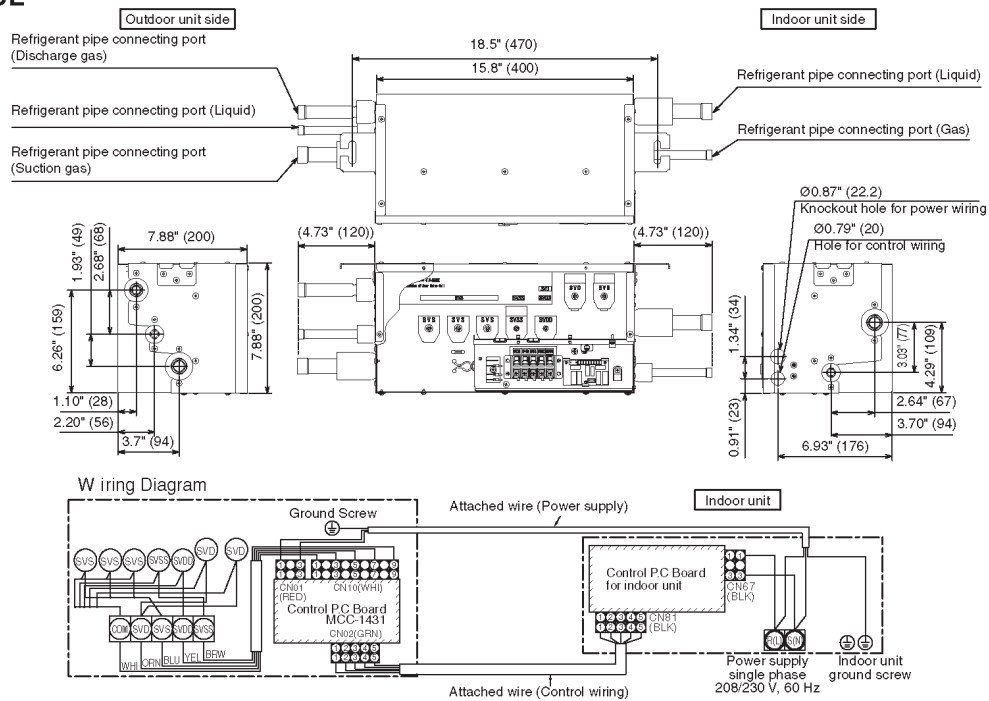
### External view

RBM-Y0383FUL, RBM-Y0613FUL

(Unit: in (mm))



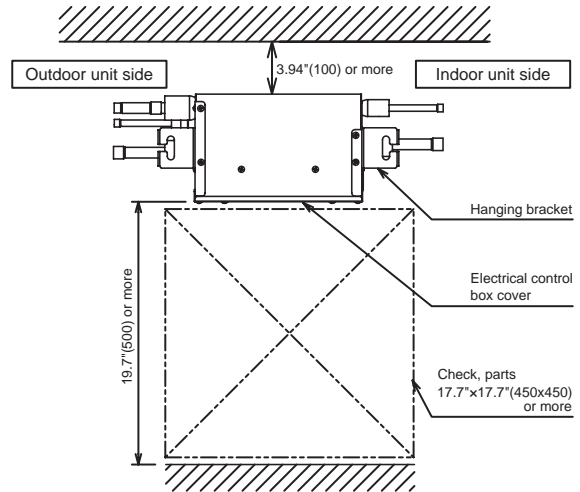
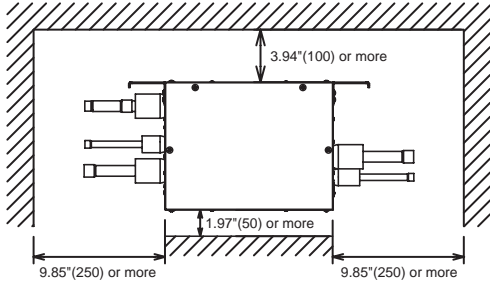
RBM-Y0963FUL



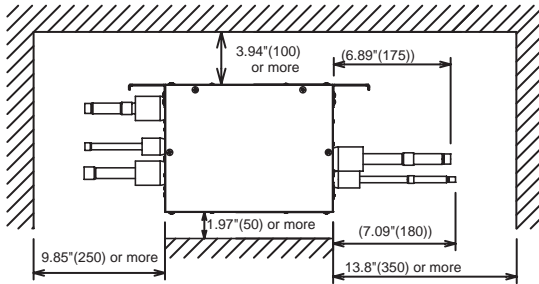
# <Installation space>

(Unit: in (mm))

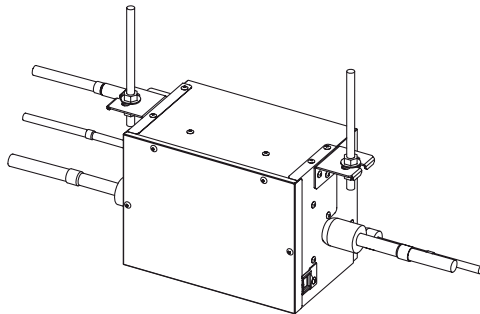
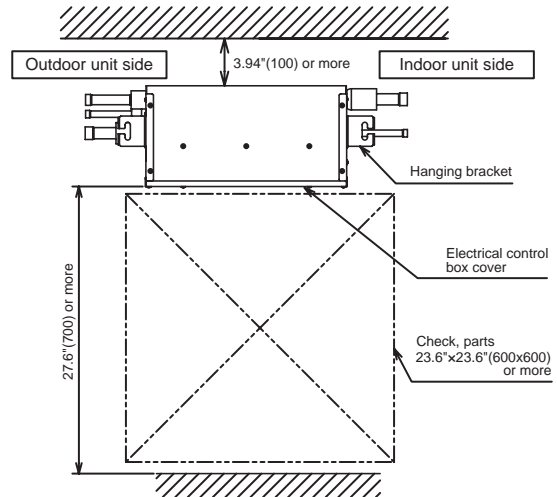
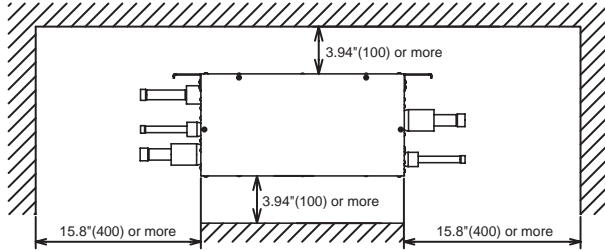
<RBM-Y0383FUL / Y0613FUL>



<RBM-Y0383FUL (When attached pipes are used)>

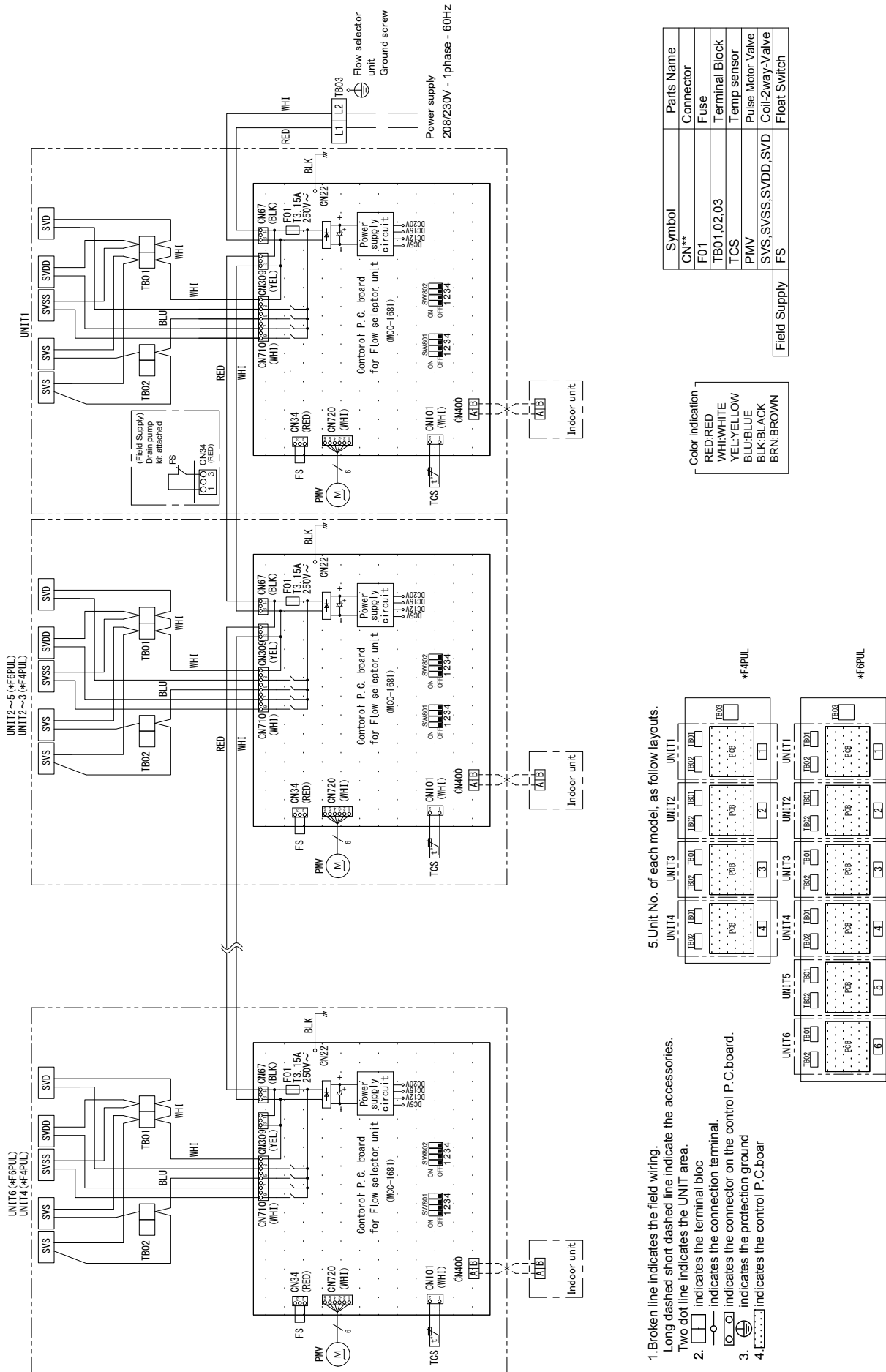


<RBM-Y0963FUL>



## 2-3 Multi port FS unit

Models : RBM-Y0611F4PUL, RBM-Y0611F6PUL



- In case of connecting Drain pump (locally produced)  
Only for Multi port FS unit (RBM-Y0611F4PUL, RBM-Y0611F6PUL)

•Connecting specification

Connector specification		
Parts	Maker	Type
Hausing	J.S.T.	XAP-03V-1-R
Contact	J.S.T.	SXA-001T-P0.6

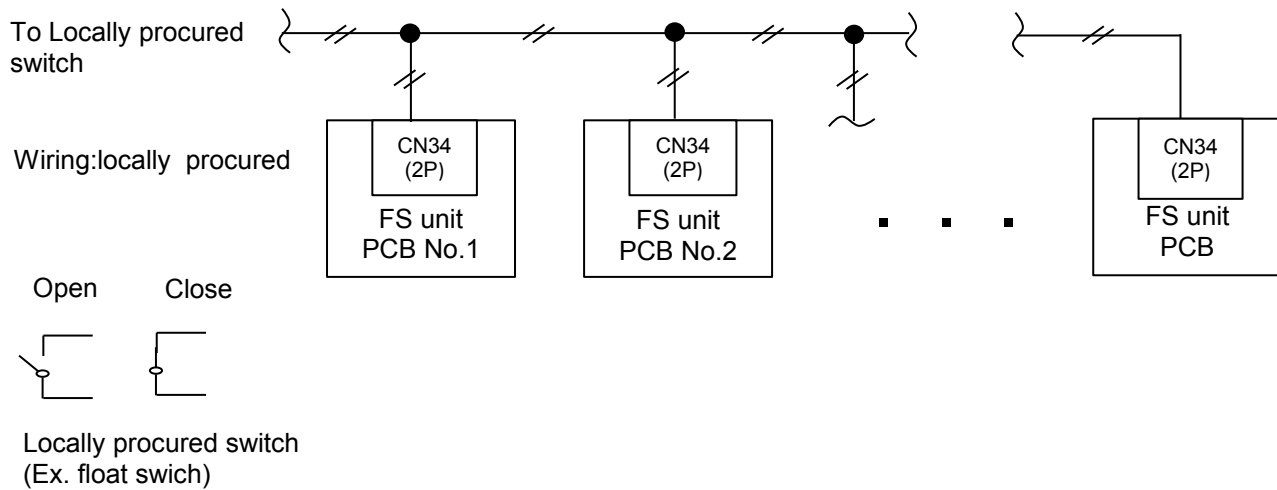
Wire specification		
Size	Type	Outside Diameter
0.08~0.33mm <sup>2</sup>	AWG#28~22	0.8~1.9mm <sup>2</sup>

CN34: External alarm input specification

Locally procured switch	Close	Open
Air conditioner system operation	Nomal System run	Alarm System stop

- ※Minimum application loads: 12 VDC and 7mA or less.
- ※Detect FS unit overflow and indicate "J10" error code  
The Detail shows Troubleshooting item of this manual.

•Example for wiring



## 2-3 Multi port FS unit

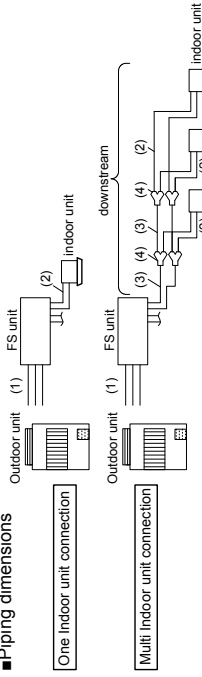
Models : RBM-Y0611F4PUL, RBM-Y0611F6PUL

### Specifications

#### Connection pipe size of FS unit (default)

RBM-Y0611***	Outdoor unit side (Upstream)		Indoor unit side (Downstream)	
	Suction gas pipe	Discharge gas pipe	Liquid pipe	gas pipe
F4PUL	Φ1-1/2"	Φ1-1/8"	Φ7/8"	Φ5/8"
F6PUL				Φ3/8"

#### Piping dimensions



#### Outdoor unit side pipe size (1)

Total capacity codes of indoor units at the downstream side	Pipe size	
	Suction gas pipe	Discharge gas pipe
Below 61	Φ5/8"	Φ1/2"
61 to below 115.5	Φ7/8"	Φ3/4"
115.5 to below 153.5	Φ1-1/8"	Φ7/8"
153.5 to below 191.5	Φ1-1/8"	Φ7/8"
191.5 to below 239	Φ1-3/8"	Φ1-1/8"
239 to below 334	Φ1-3/8"	Φ1-1/8"
334 or more	Φ1-5/8"	Φ1-3/8"

#### Indoor unit side pipe size (2)

Indoor unit capacity code	Pipe size	
	Gas side	Liquid side
007 to 012 type	49ft(15m) or less	Φ3/8"
015 to 018 type	Over 49ft(15m)	Φ1/2"
	Over 49ft(15m) or less	Φ1/2"
021 to 054 type	Over 49ft(15m)	Φ5/8"
	Over 49ft(15m)	Φ3/8"

#### Indoor unit side pipe size (3)

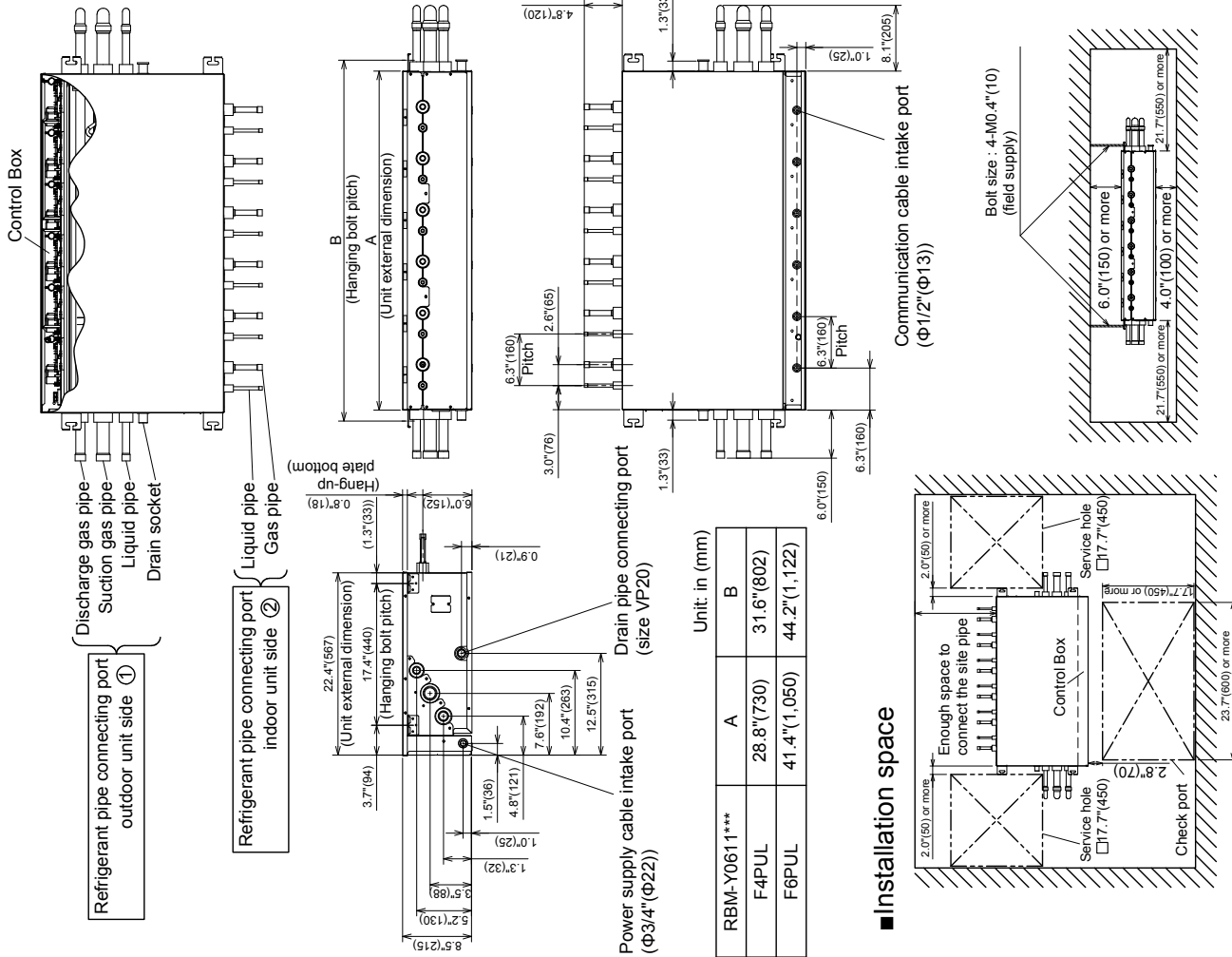
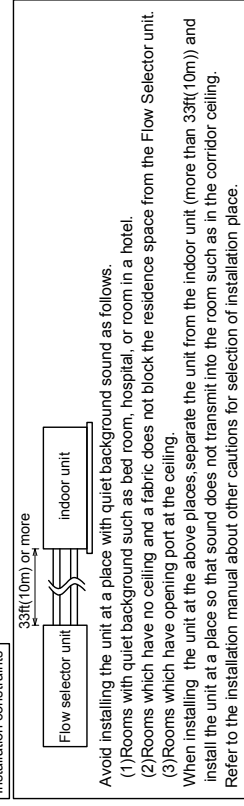
Total capacity codes of indoor units at the downstream side	Pipe size	
	Gas pipe	Liquid pipe
Below 61	Φ5/8"	Φ3/8"

#### Y-shaped branching joint (4)

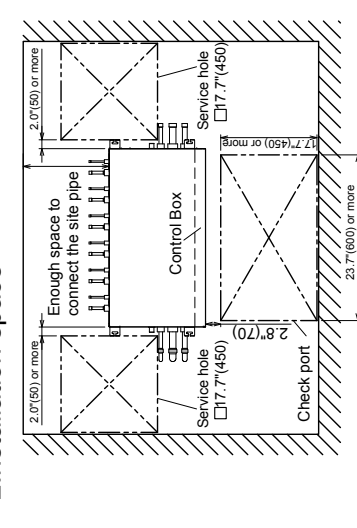
Total capacity codes of indoor units at the downstream side	Y-shaped branching joint Model name	
	Below 61	RBM-BY55UL

Connectable indoor units of 1 port: 61kBTuh or less and 8 units or less.

#### Installation constraints

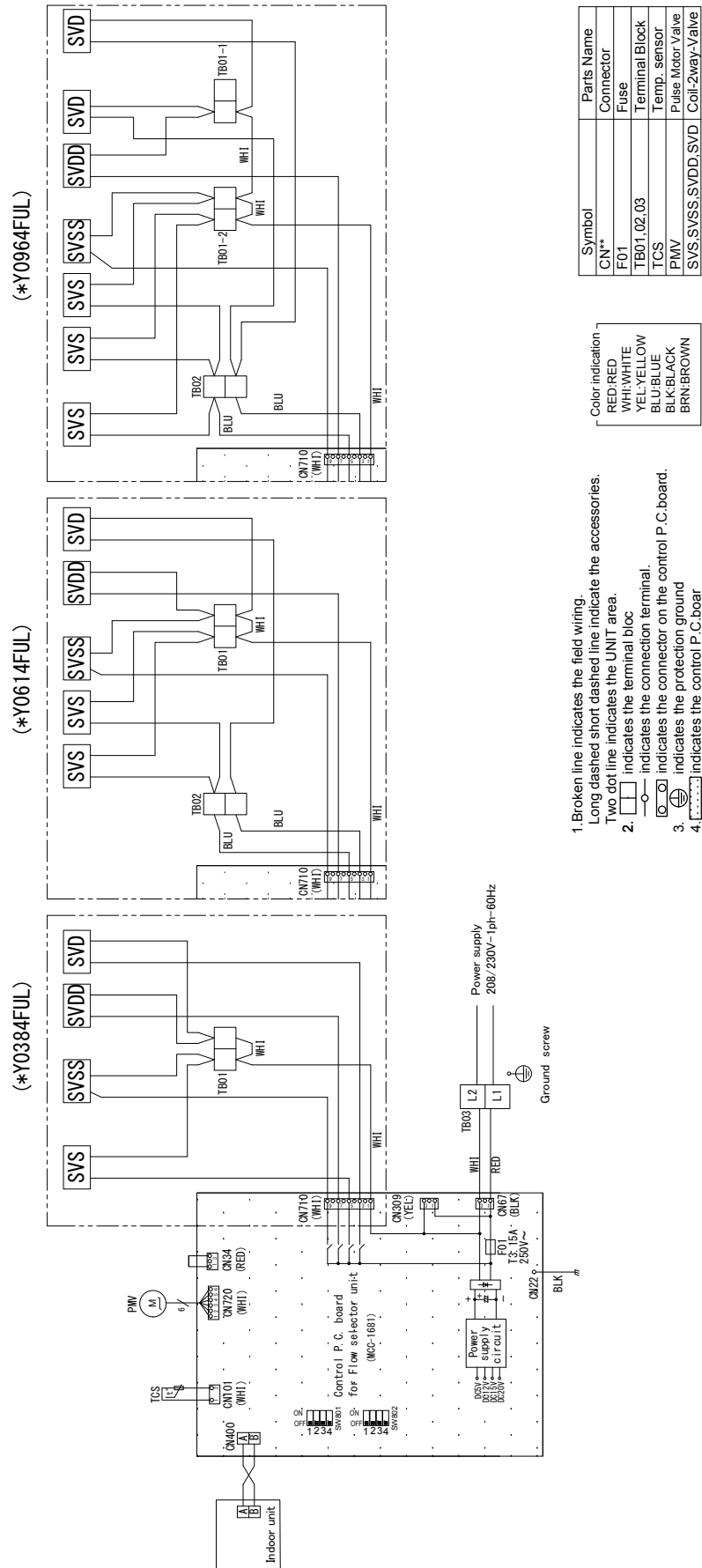


### Installation space





2-4. Single port FS unit (Long piping model)  
 Models : RBM-Y0384FUL , RBM-Y0614FUL , RBM-Y0964FUL



- 1 Broken line indicates the field wiring.
  - Long dashed short dashed line indicate the accessories.
  - Two dot line indicates the UNIT area.
2. indicates the terminal bloc
  - indicates the connection terminal.
  3. indicates the connector on the control P.C.board.
  4. indicates the protection ground
  - indicates the control P.C.boar

Symbol	Parts Name
CN**	Connector
F01	Fuse
TB01, 02, 03	Terminal Block
TCS	Temp. sensor
PMV	Pulse Motor Valve
SVS, SVSS, SVDD, SVD	Coil-2way-Valve

Color indication
RED: RED
WHI: WHITE
YEL: YELLOW
BLU: BLUE
BLK: BLACK
BRN: BROWN

# SINGLE PORT FS UNIT (LONG PIPING MODEL) INSTALLATION SPACE

Models : RBM-Y0384FUL , RBM-Y0614FUL , RBM-Y0964FUL

## ● Installation space

**■ Specifications**

**■ Piping dimensions**

**Outdoor unit side pipe size (1)**

Flow Selector unit	RBM-Y0384FUL	Y0614FUL	Y0964FUL
Total capacity codes of indoor units at the downstream side	Below 38	38 to below 61	61 to 96 or less
Suction gas pipe	Φ5/8"	Φ5/8"	Φ7/8"
Discharge gas pipe	Φ1/2"	Φ1/2"	Φ3/4"
Liquid pipe	Φ3/8"	Φ3/8"	Φ1/2"

**Indoor unit side pipe size (2)**

Capacity rank	Length of piping	Gas side	Liquid side
007 to 012	49ft(15m) or less real length	Φ3/8"	Φ1/4"
015 to 018	Exceeds 49ft(15m) real length	Φ1/2"	Φ3/8"
	49ft(15m) or less real length	Φ1/2"	Φ1/4"
024 to 056	Exceeds 49ft(15m) real length	Φ5/8"	Φ3/8"
	49ft(15m) or less real length	Φ5/8"	Φ3/8"
072 to 096	-	Φ7/8"	Φ1/2"

**Indoor unit side pipe size (3)**

Total capacity codes of indoor units at the downstream side	Section gas side	Liquid side
Below 61	Φ5/8"	Φ3/8"
61 to 96 or less	Φ7/8"	Φ1/2"

**Y-shaped branching joint (4)**

Total capacity codes of indoor units at the downstream side	Y-shaped branching joint Model name
Below 61	RBM-BY55UL
61 to 96 or less	RBM-BY105UL

**RBM-Y0384FUL/RBM-Y0614FUL**

**RBM-Y0964FUL**

**Installation constraints**

Avoid installing the unit at a place with quiet background sound as follows.

- (1) Rooms with quiet background such as bed room, hospital, or room in a hotel.
- (2) Rooms which have no ceiling and a fabric does not block the residence space from the Flow Selector unit.
- (3) Rooms which have opening port at the ceiling.

When installing the unit at the above places, separate the unit from the indoor unit (more than 10m) and install the unit at a place so that sound does not transmit into the room such as in the corridor ceiling.

Refer to the installation manual about other cautions for selection of installation place.

And take sound proof measure, such as covering around the Flow Selector unit with the sound proofing materials.

Bolt size : 4-M6, 4"(10) (field supply)

RBM-***	a	b
Y0384FUL/Y0614FUL	9.9"(250)	9.9"(250) (※)
Y0964FUL	15.8"(400)	15.8"(400)

(※) In case of using the attached pipe (accessory): 350mm for (Y0384FUL)

■ Sound proof measure for Single port FS unit (Long piping model)

Only for Single port FS unit (Long piping model)  
 (RBM-Y0384FUL, RBM-Y0614FUL, RBM-Y0964FUL)

For the customers who are disturbed by the noise of defrost operation, refrigerant flow or valve-2way, recommend the following.

Item	Outline	Remarks
Outdoor unit Jumper-wire [J08]Cut	By cutting J08, the pressure fluctuations by Valve-4Way switching are inhibited. Therefore Valve-2way switching noise is reduced.	For the location of the J08, refer to the section "Switching of Jumper Wire/Function" in this manual.

# 3 Parts Rating

## 3-1. Outdoor Unit (208/230V model: MMY-MAP\*\*\*6FT9P-UL)

No	Name	Model	Specification	MMY-MAP0726FT9P-UL	MMY-MA P0966FT9P-UL	MMY-MAP1206FT9P-UL	MMY-MAP1446FT9P-UL	MMY-MAP1686FT9P-UL
1	Compressor	DA421A3TB-20M1	Output:2.1kW×2	○	-	-	-	-
1	Compressor	RA641A3TB-20M	Output:3.0kW×2	-	○	-	-	-
1	Compressor	RA641A3TB-20M	Output:4.0kW×2	-	-	○	-	-
1	Compressor	RA641A3TB-20M	Output:5.4kW×2	-	-	-	○	-
1	Compressor	RA641A3TB-20M	Output:6.5kW×2	-	-	-	-	○
2	4-way valve coil	SHF	AC208-230V 60Hz	○	○	○	○	○
3	2-way valve coil	VPV	AC208-230V 60Hz SV3B, 11, 14, 15	○	○	○	○	○
3	2-way valve coil	TEV	AC208-230V 60Hz SV2, 6, 3A, 3C, 3D, 3E	○	○	○	○	○
			AC208-230V 60Hz SV12	-	-	-	○	○
3	2-way valve coil	FQ-D640	AC208-230V 60Hz SV5, 41, 42	○	○	○	○	○
4	Pulse motor valve coil	PAM, BA2YGTF-1	DC12V	○	○	○	○	○
4	Pulse motor valve coil	HAM, BD28TF-2	DC12V	○	○	○	○	○
5	High-presure SW	ACB-4UB106W	OFF:541psi (3.73MPa) ON:421psi (2.9MPa)	○	○	○	○	○
6	Pressure sensor (For high pressure)	NSK-BH038F-U532	0.5~4.3V/0~541psi (3.73MPa)	○	○	○	○	○
7	Pressure sensor (For low pressure)	NSK-BH010F-U532	0.5~3.5V/0~142psi (0.98MPa)	○	○	○	○	○
8	Fan motor	WDF-620A1000-1	DC280-340V	○	○	○	-	-
8	Fan motor	WDF-620A1000-2	DC280-340V	-	-	-	○	○
9	Case heater (For comp.)	-	AC240V/29W	○	○	○	○	○
10	Case heater (For accum.)	-	AC240V/55W	○	○	○	○	○
11	Fusible plug	-	163.4°F (73°C)	○	○	○	○	○

### 3-2. Outdoor inverter (208/230V model: MMY-MAP\*\*\*6FT9P-UL)

No	Name	Model	Specification	MMY-MAP0726FT9P-UL	MMY-MAP0966FT9P-UL	MMY-MAP1206FT9P-UL	MMY-MAP1446FT9P-UL	MMY-MAP1686FT9P-UL
1	Power supply terminal block	HP-T3015-31-3PL3S	AC600V/100A, 3P	○	○	○	○	○
2	Relay terminal block for power supply	JXO-6003	AC600V/60A, 3P	○	○	○	-	-
3	Relay terminal block for reactor	JXO-3004	AC600V/30A,4P	-	○	○	-	-
4	Communication terminal block	JXO-B2J	AC30V(or no more than DC42V)/1A,8P	○	○	○	○	○
5	Reactor (For comp. & fan)	CH-55	5.8mH/14A	○	○	○	○	○
6	Reactor (For comp. & fan)	CH-80	1.4mH/25A	○	○	○	-	-
7	Reactor (For comp. & fan)	CH-95	0.62mH/50A	-	-	-	○	○
8	P.C.board (Noise filter)	MCC-1608	-	○	○	○	-	-
9	P.C.board (Noise filter)	MCC-1680	-	-	-	-	○	○
10	Line filter	-	0.9mH/AC500V/65A	○	○	○	○	○
11	P.C.board (I/F board)	MCC-1673	-	○	○	○	○	○
12	P.C.board (IPDU for comp.)	MCC-1595	-	○	○	○	-	-
13	P.C.board (IPDU for comp.)	MCC-1687	-	-	-	-	○	○
14	Fuse (MCC-1595)	CES15 30AF924	30A/AC250V (P.C.board)	○	○	○	-	-
15	Fuse (MCC-1687)	GAC1 70A	70A/AC250V (P.C.board)	-	-	-	○	○
16	Comp.motor drive IPM	PS21A79	50A/DC600V (P.C.board)	○	○	○	○	○
17	P.C.board (IPDU for fan)	MCC-1610	-	○	○	○	○	○
18	Fuse (MCC-1610)	CES15 15AF924	15A/AC250V (P.C.board)	○	○	○	○	○
19	Fan motor drive IPM (MCC-1610)	FSBB20CH60C	20A/DC600V (P.C.board)	○	○	○	○	○
20	Magnet switch (MG-CTT) (60Hz)	FC-2SUL	AC240-260V	-	-	-	○	○
21	PTC thermistor	MZ32-101RMARD01E	13A/AC500V	-	-	-	○	○
22	Pipe temp. sensor (TD)	-	-22°F(-30°C) - 275°F(135°C)(Ambient temp. range)	○	○	○	○	○
23	Pipe temp. sensor (TS)	-	-4°F(-20°C) - 176°F(80°C)(Ambient temp. range)	○	○	○	○	○
24	Heatexchanger temp. sensor (TE)	-	-4°F(-20°C) - 176°F(80°C)(Ambient temp. range)	○	○	○	○	○
25	Outside temp. sensor (TO)	-	-4°F(-20°C) - 176°F(80°C)(Ambient temp. range)	○	○	○	○	○
26	Oil temp. sensor (TK)	-	-22°F(-30°C) - 275°F(135°C)(Ambient temp. range)	○	○	○	○	○
27	Liquid temp. sensor (TL)	-	-4°F(-20°C) - 176°F(80°C)(Ambient temp. range)	○	○	○	○	○

### 3-3. Multi port FS Unit (Model: RBM-Y0611F4PUL, RBM-Y0611F6PUL)

No.	Parts Name	Model	Specification	RBM-Y0611		
				F4PUL	F6PUL	
1	2-way valve coil	VPV-MOAQ1843A0	SVS, SVD	AC208-230V 60Hz	○	○
			SVSS		○	○
			SVDD		○	○
2	2-way valve	VPV-1204DQ55	SVS, SVD	—	○	○
3	2-way valve	VPV-122DQ1	SVSS	—	○	○
			SVDD		○	○
4	PMV (Pulse motor valve) coil	CAM-MD12TF-17		DC12V	○	○
5	PMV (Pulse motor valve)	CAM-BD14TF-1		—	○	○
6	TCS sensor	—		0.24" (∅6) size lead wire length: 19.7" (500 mm)	○	○

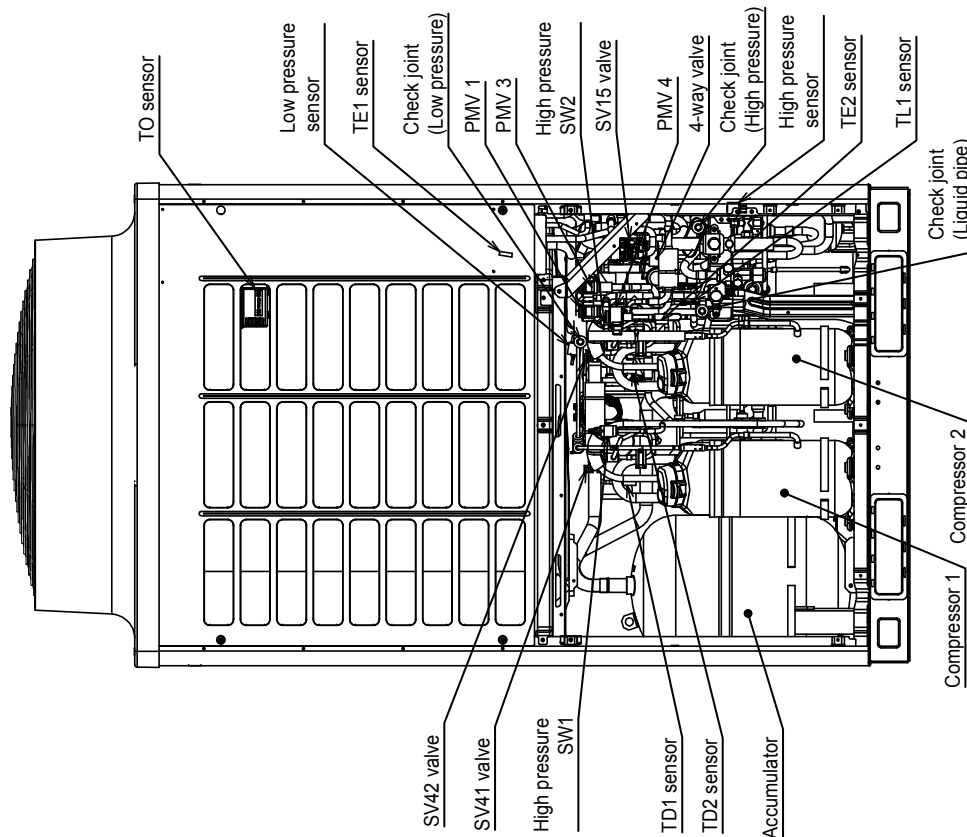
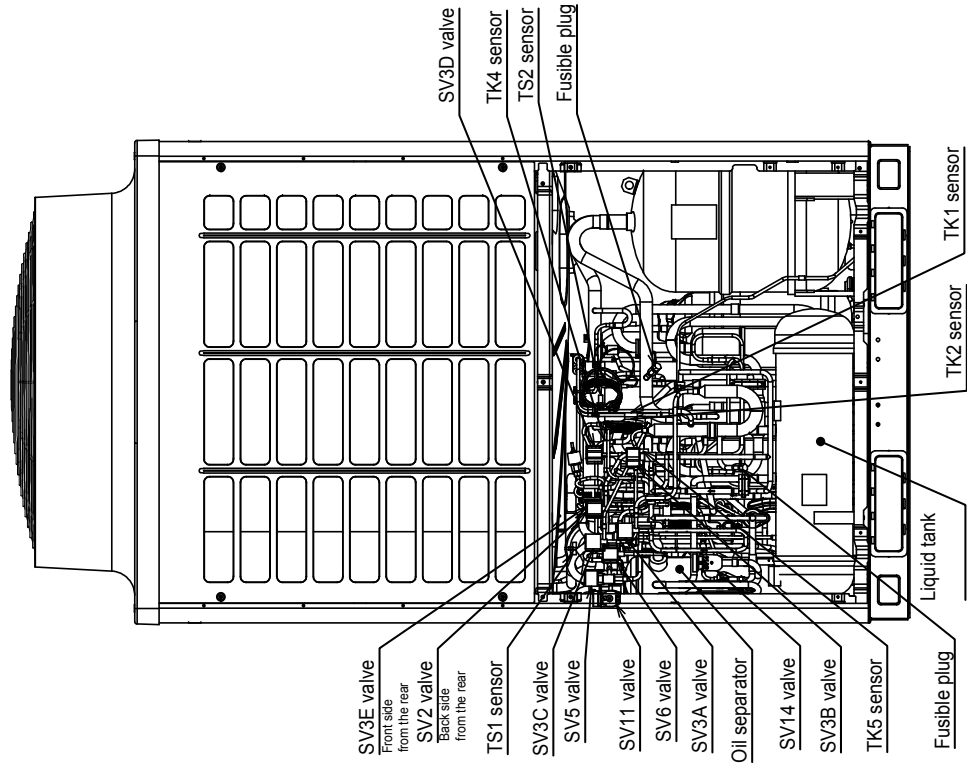
### 3-4. Single port FS unit (Long piping model) (Model: RBM-Y0384FUL, RBM-Y0614FUL, RBM-Y0964FUL)

No.	Parts Name	Model	Specification	RBM-			
				Y0384FUL	Y0614FUL	Y0964FUL	
1	2-way valve coil	VPV-MOAQ1843A0	SVS	AC208/230V 60Hz	○	○	○
			SVSS		○	○	○
			SVDD		○	○	○
			SVD		○	○	○
2	2-way valve	VPV-1204DQ55	SVS	—	○	○	○
			SVD	—	○	○	○
3	2-way valve	VPV-122DQ1	SVSS	—	○	○	○
			SVDD	—	○	○	○
4	PMV (Pulse motor valve) coil	CAM-MD12TF-17		DC12V	○	○	○
5	PMV (Pulse motor valve)	CAM-BD14TF-2		—	○	○	
		CAM-BD18TF-1		—			○
6	TCS sensor	—		0.24" (∅6) size lead wire length: 19.7" (500 mm)	○	○	○

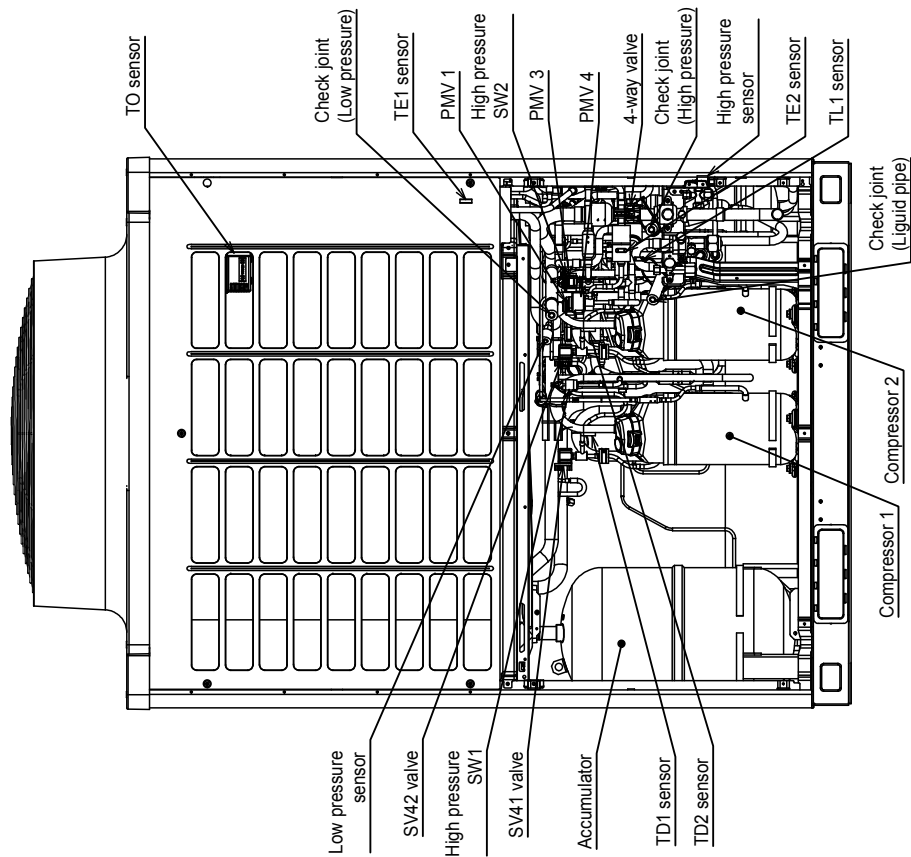
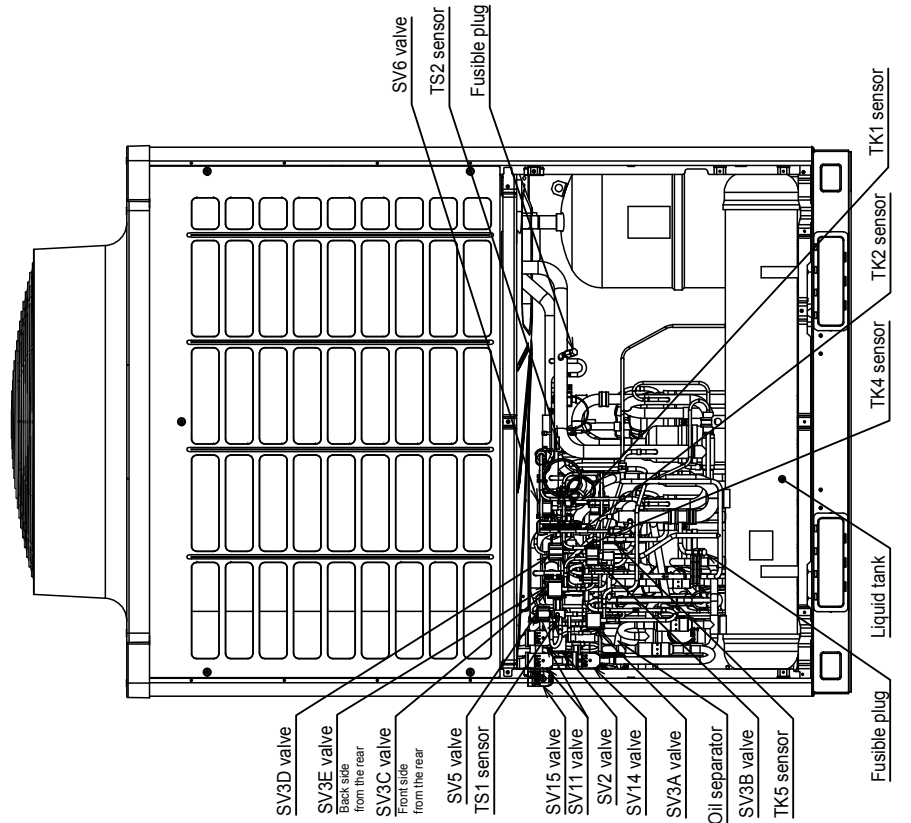
### 3-5. Parts Layout in Outdoor Unit

Outdoor Unit (6 ton)

Model: MMY-MAP0726FT\*

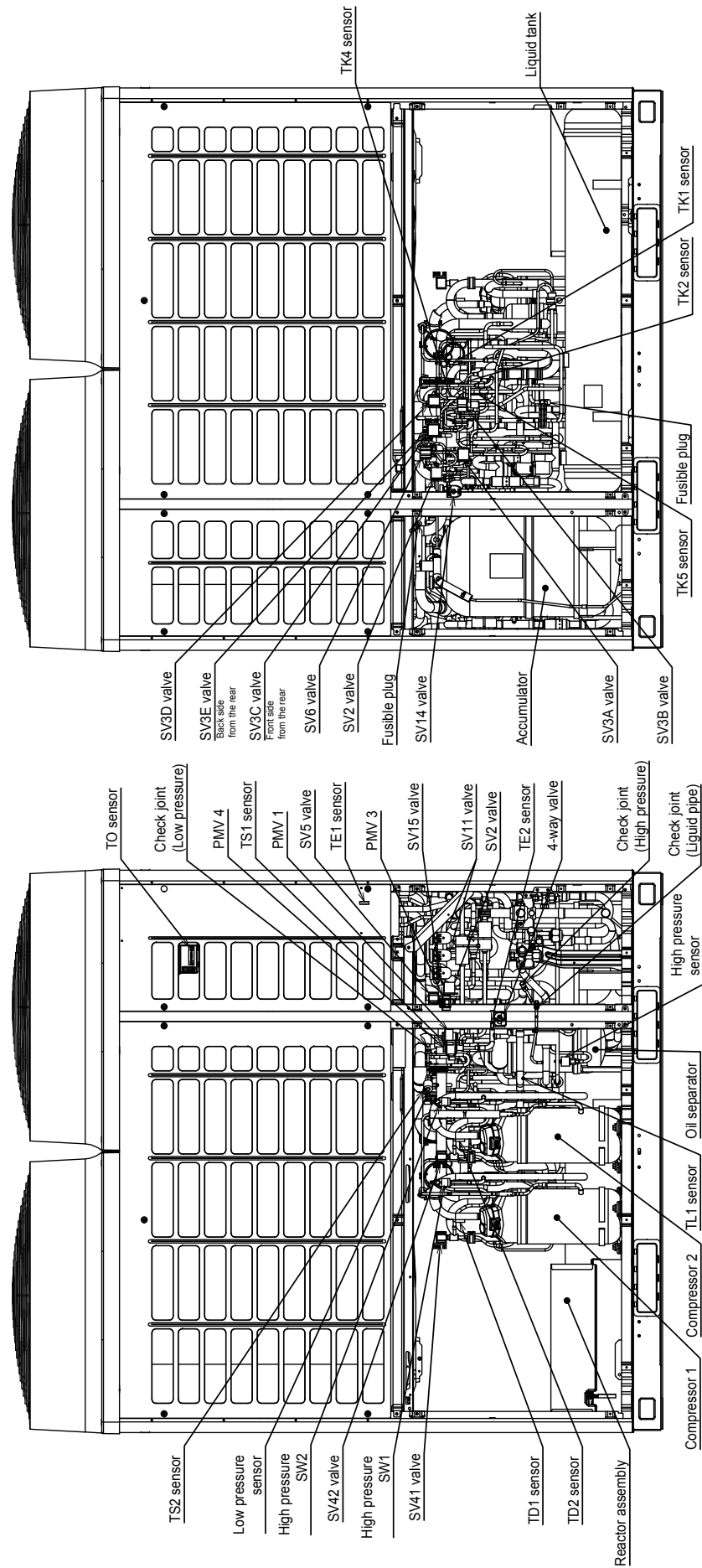


**Outdoor Unit (8, 10 Ton)**  
**MOdel: MMY-MAP0966FT\*, MAP1206FT\***





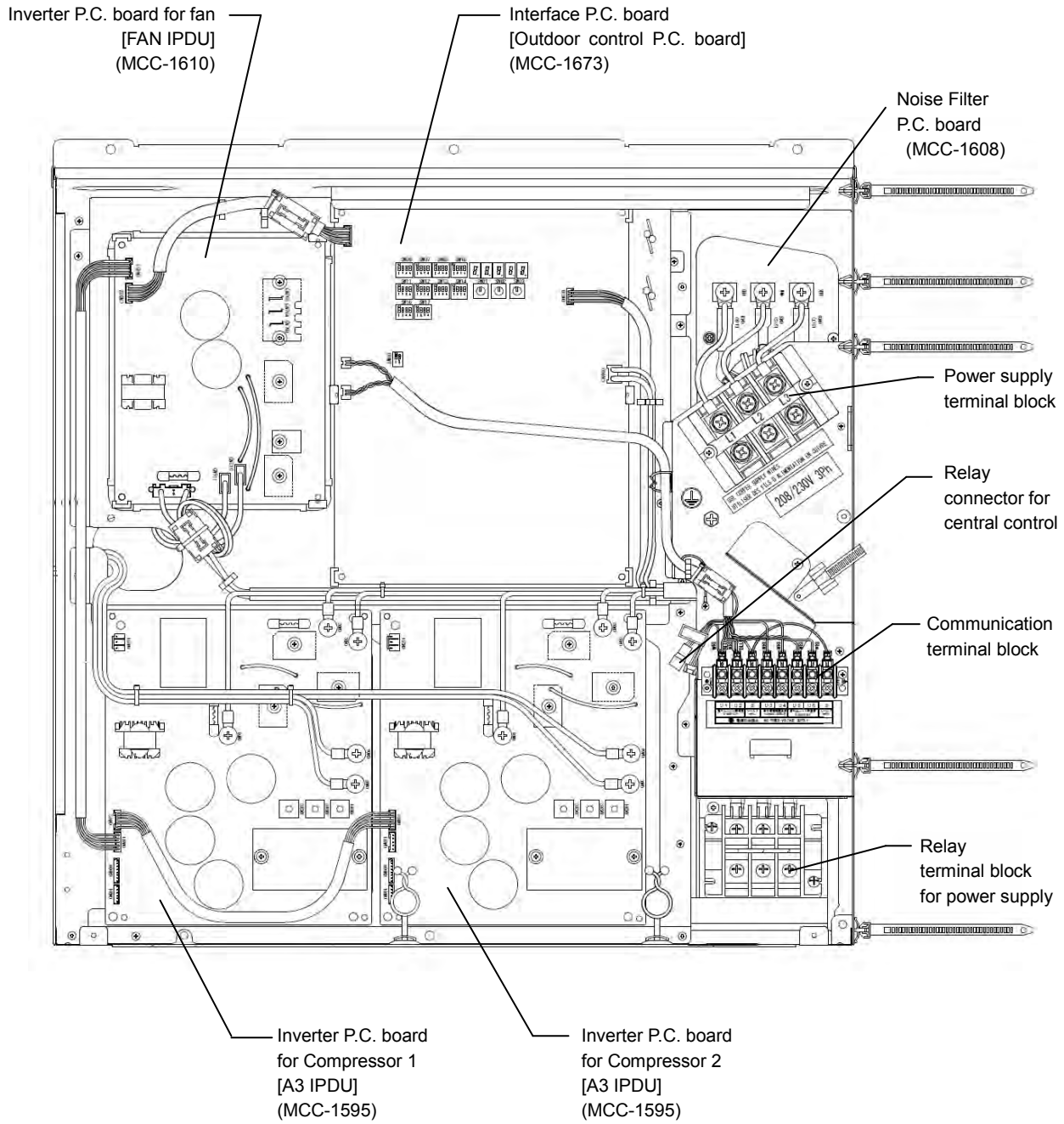
**Outdoor unit (12, 14 Ton)**  
**Model: MMY-MAP1446FT\*, MAP1686FT\***



### 3-6. Parts layout in inverter assembly

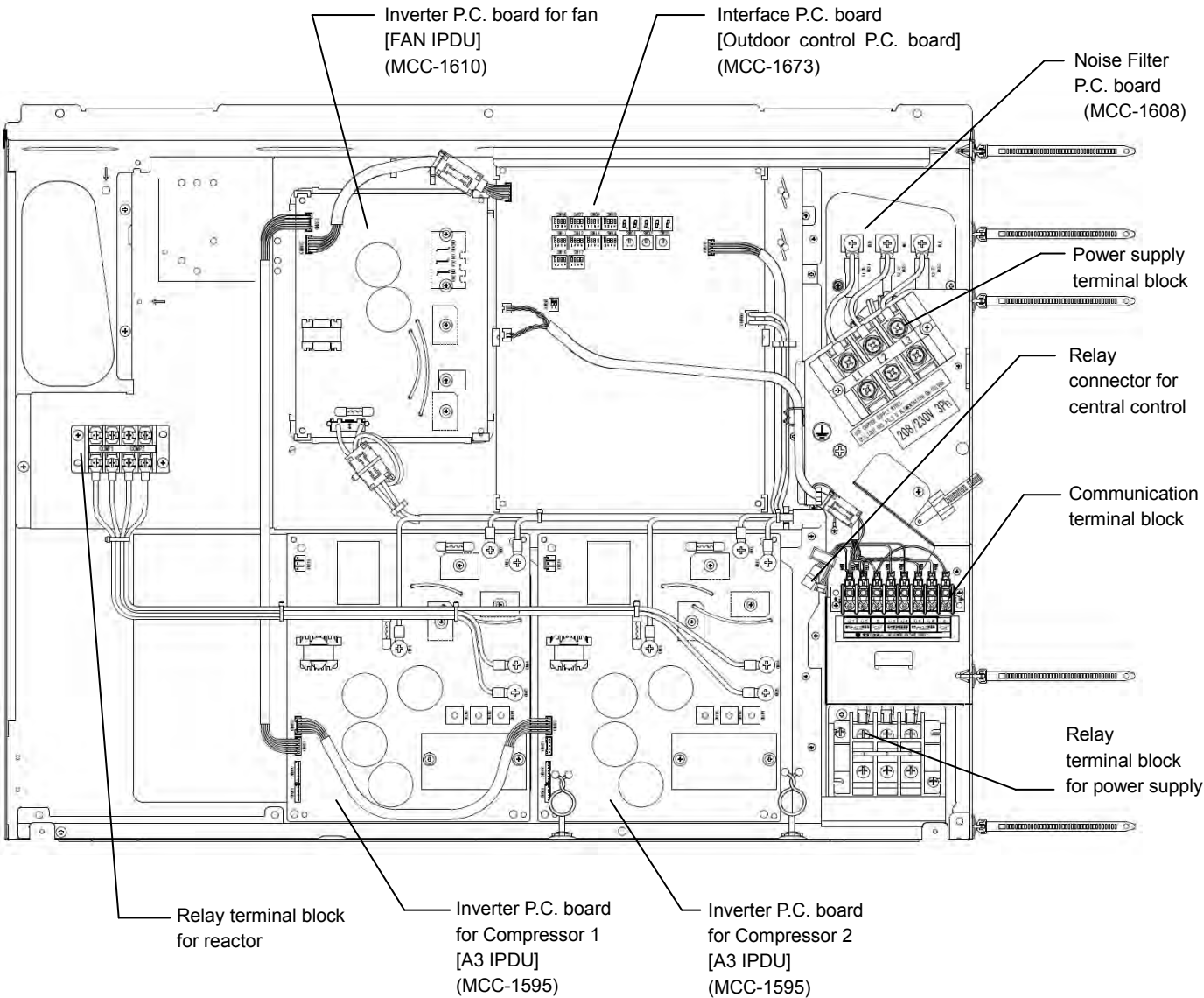
Outdoor Unit (6 ton)

Model: MMY-MAP0726FT9P-UL



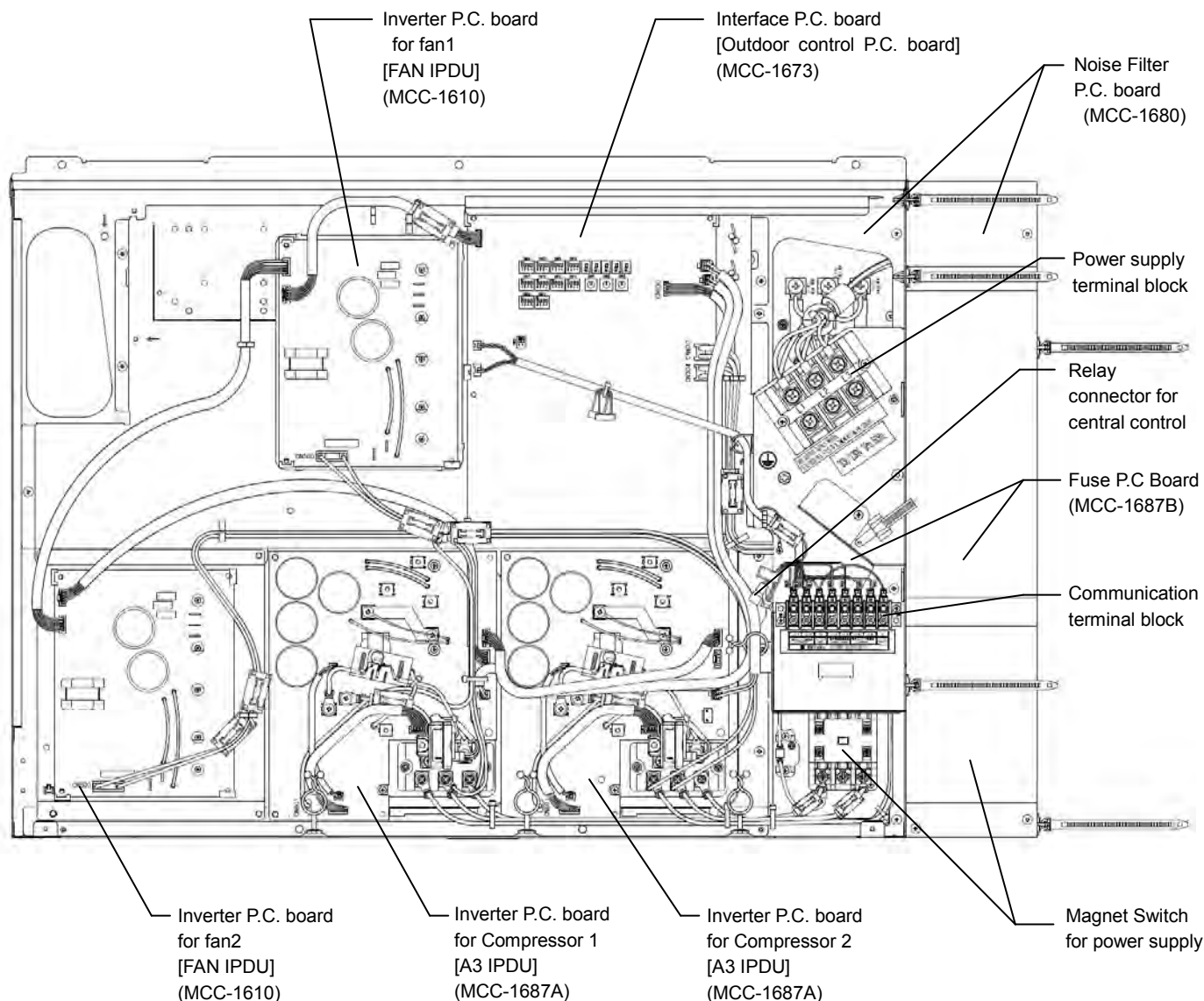
**Outdoor Unit (8, 10 ton)**

**Model: MMY-MAP0966FT9P-UL, MAP1206FT9P-UL**



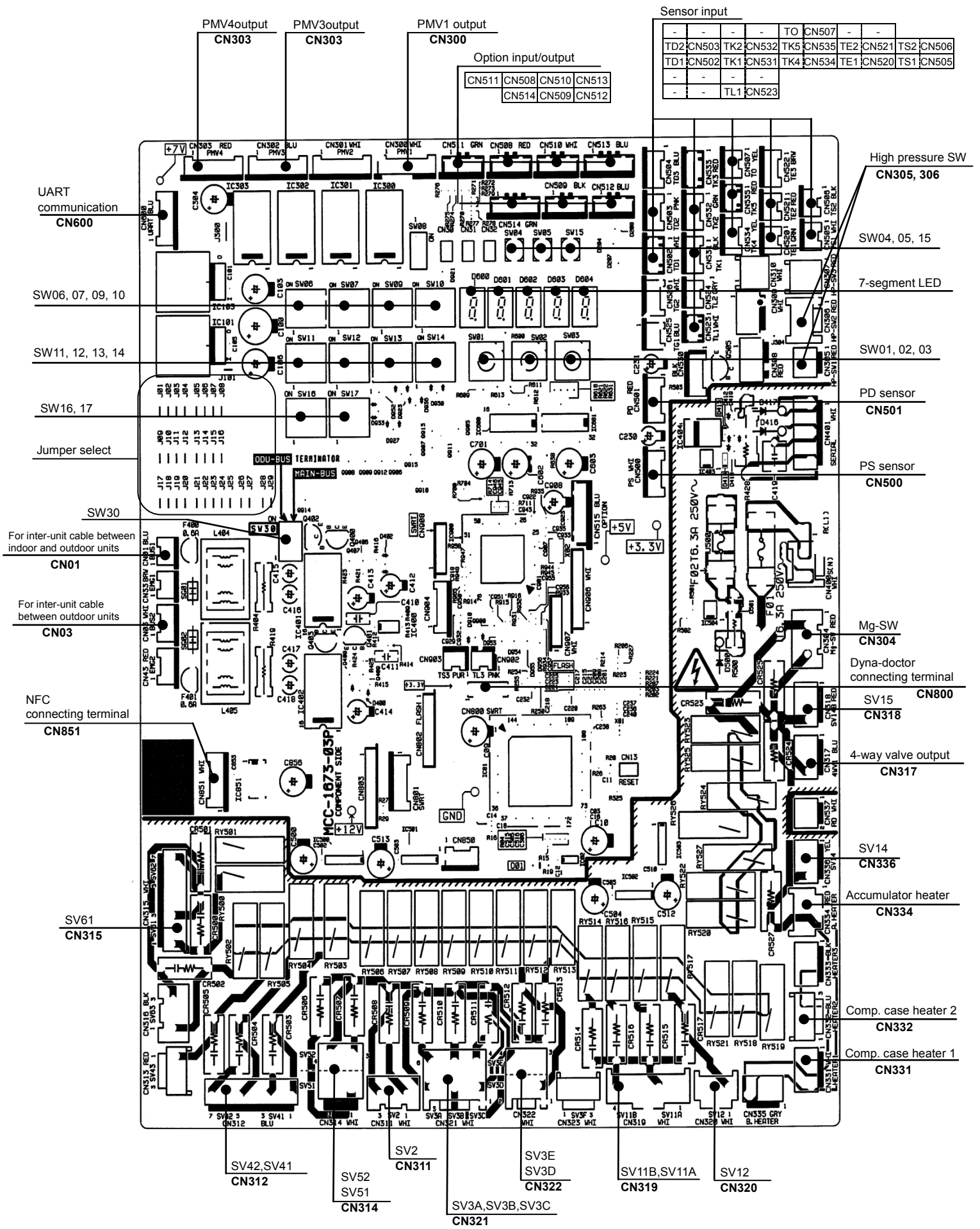
# Outdoor Unit (12, 14 ton)

Model: MMY-MAP1446HT6P9-UL, MAP1686FT9P-UL



# 3-7. Outdoor (Inverter) Print Circuit Board

## 3-7-1. Interface P.C. board (MCC-1673)

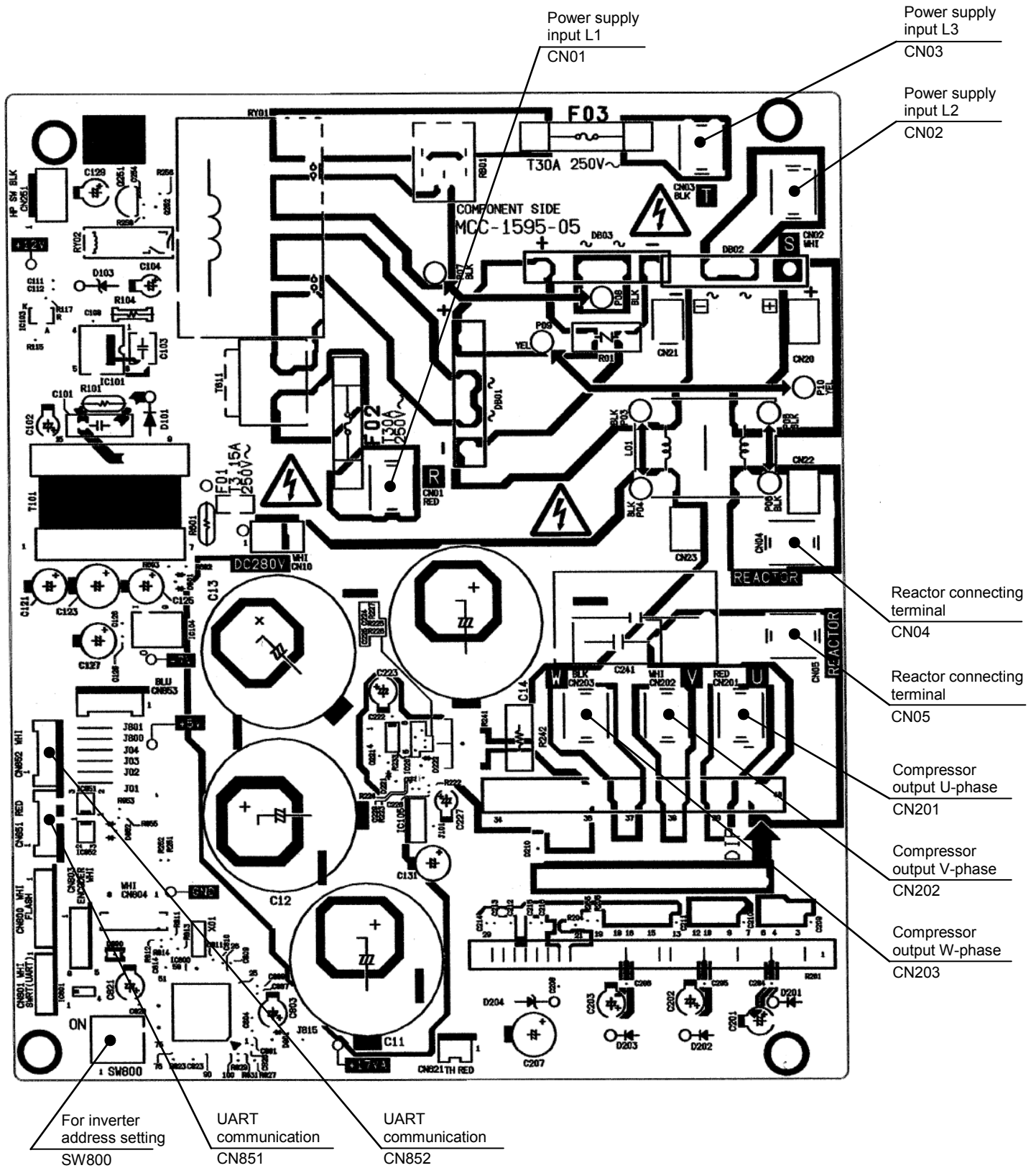


# 3-7-2. Inverter P.C. board for compressor

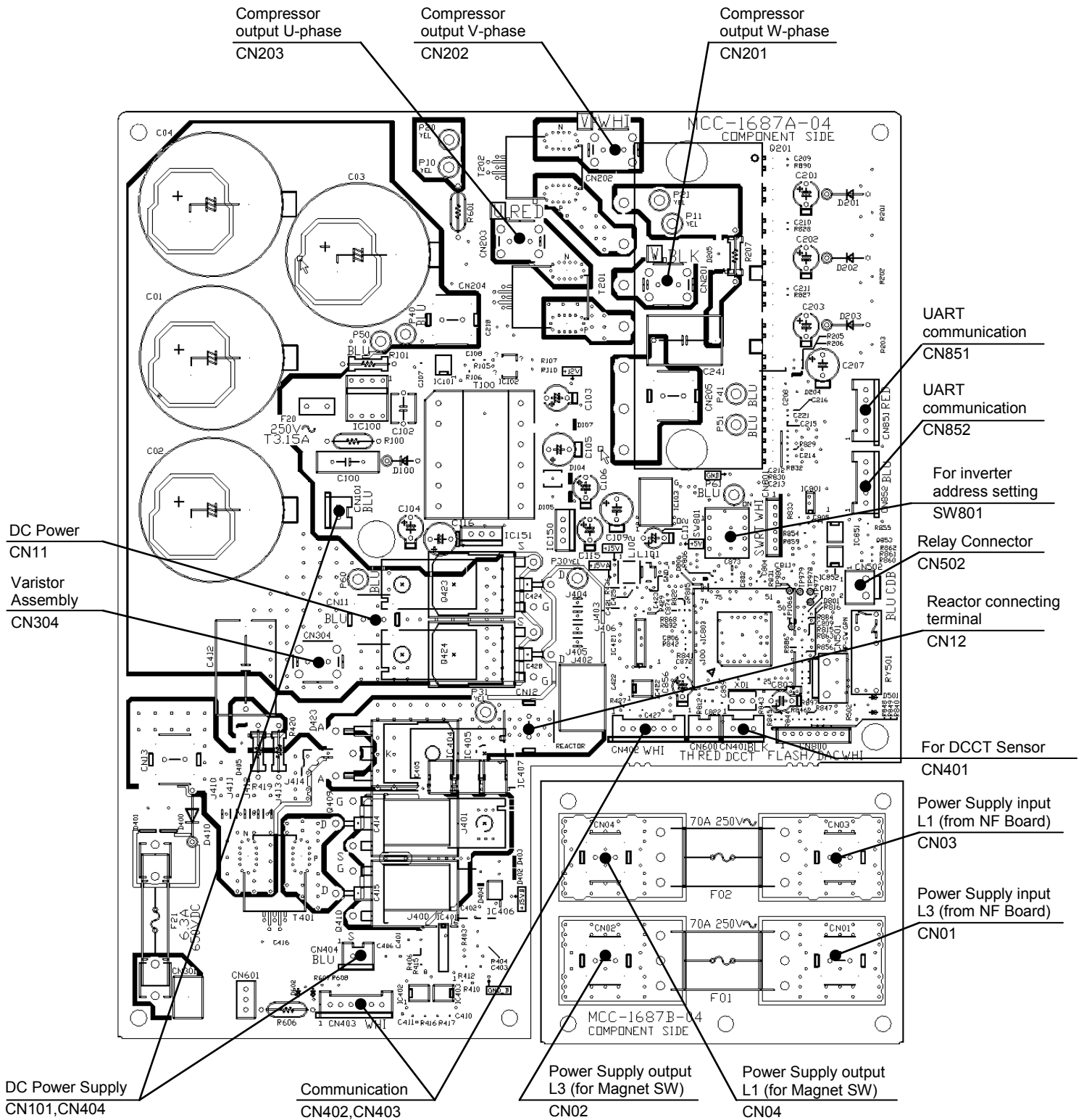
## (MCC-1595) A3-IPDU

Outdoor Unit (6 ton) / (8, 10 ton)

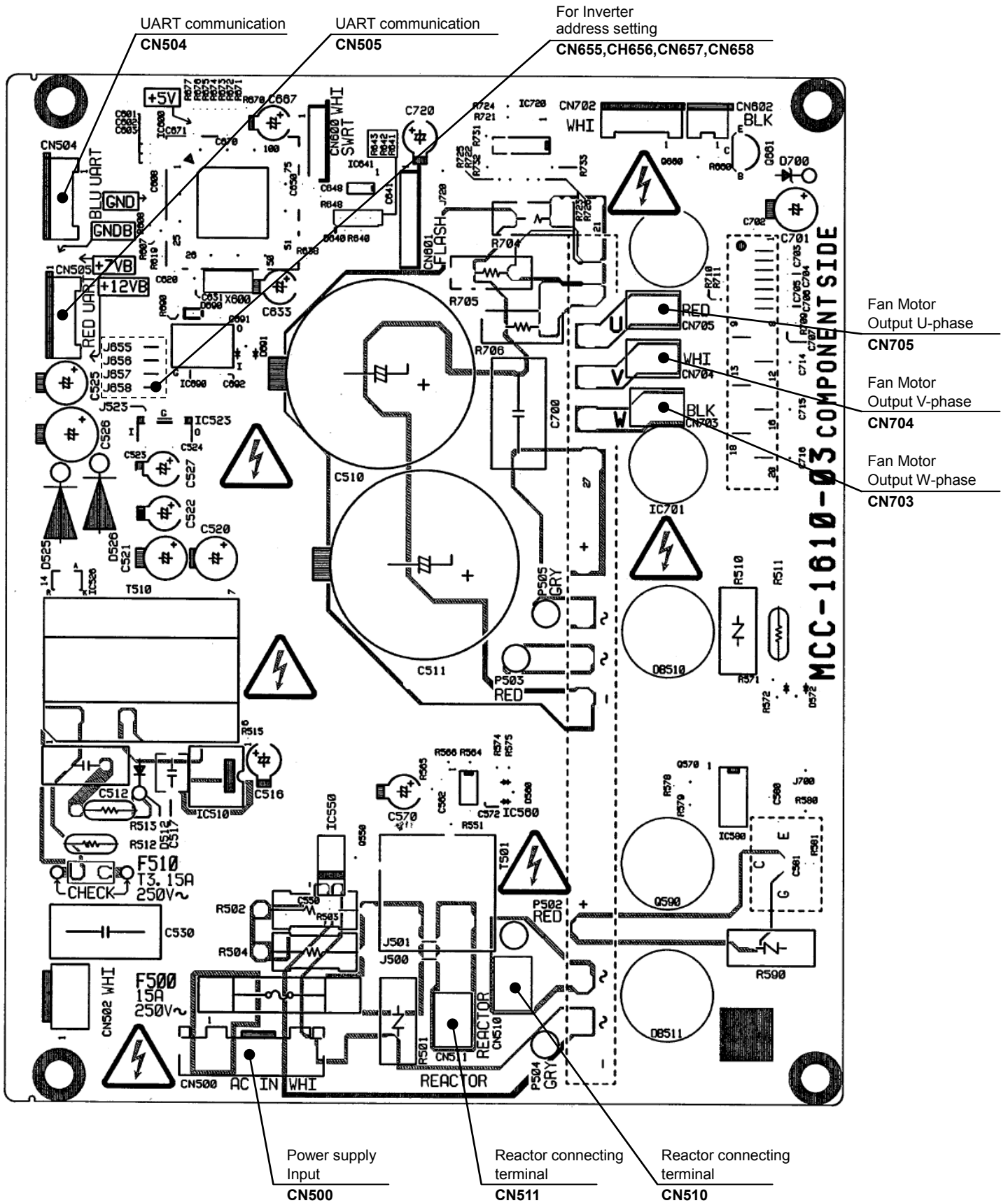
Model: MMY-MAP0726FT9P-UL / MMY-MAP0966FT9P-UL, MAP1206FT9P-UL



# 3-7-3. Inverter P.C. board for compressor (MCC-1687) A3-IPDU Outdoor Unit (12, 14 ton) Model: MMY-MAP1446FT9P-UL, MAP1686FT9P-UL



### 3-7-4. Inverter P.C. board for fan motor (MCC-1610) FAN-IPDU

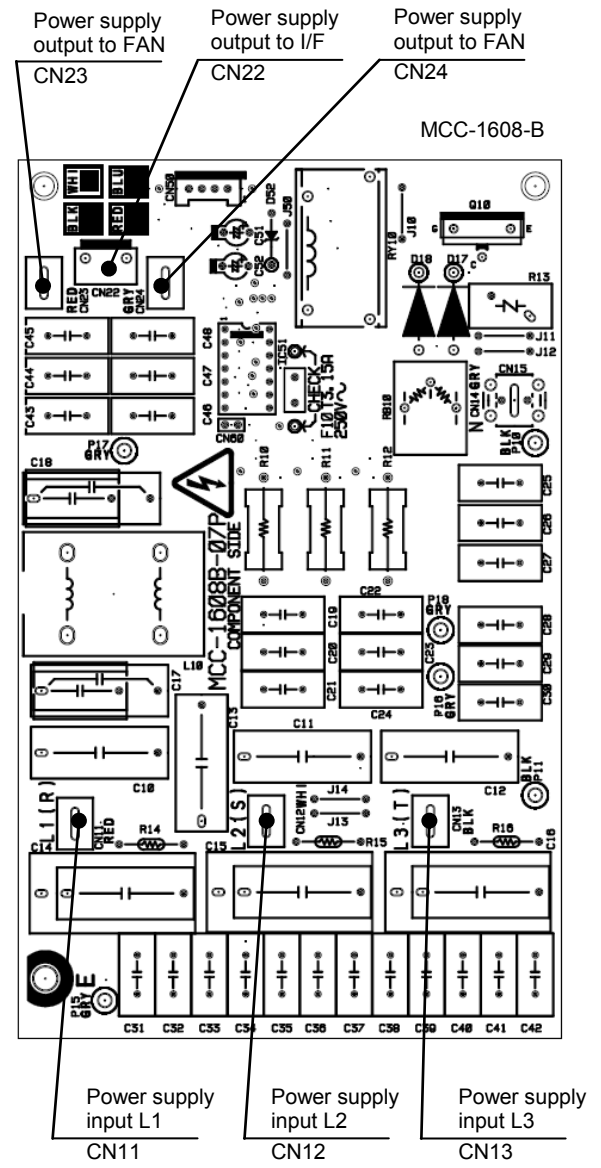
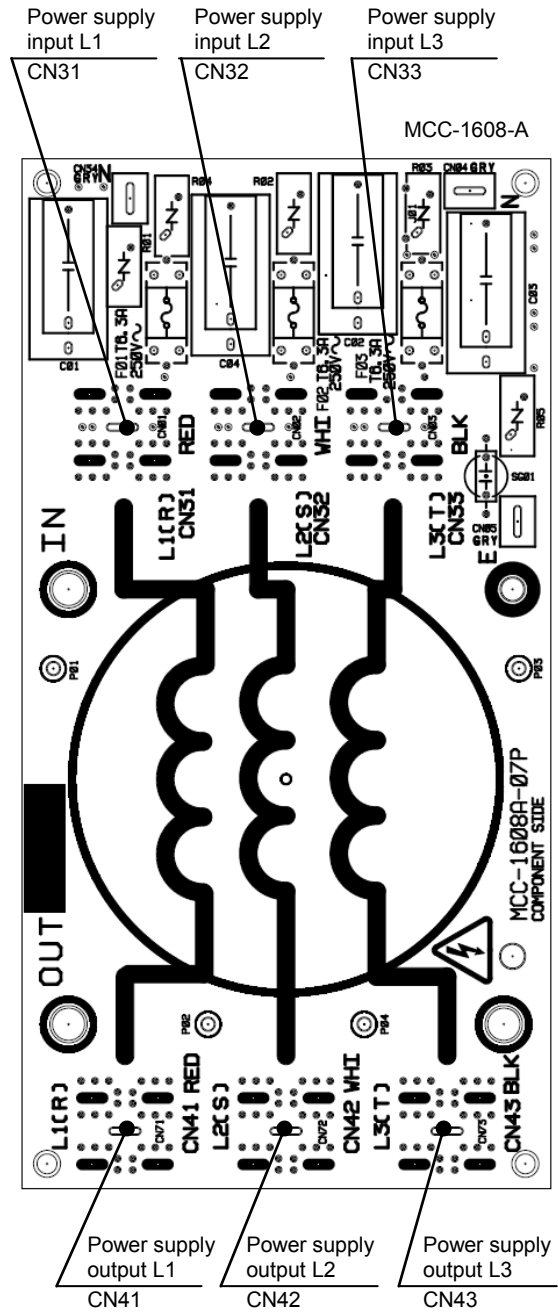




# 3-7-5. Noise Filter PC board (MCC-1608 -A, -B)

Outdoor Unit (6 ton) / (8, 10 ton)

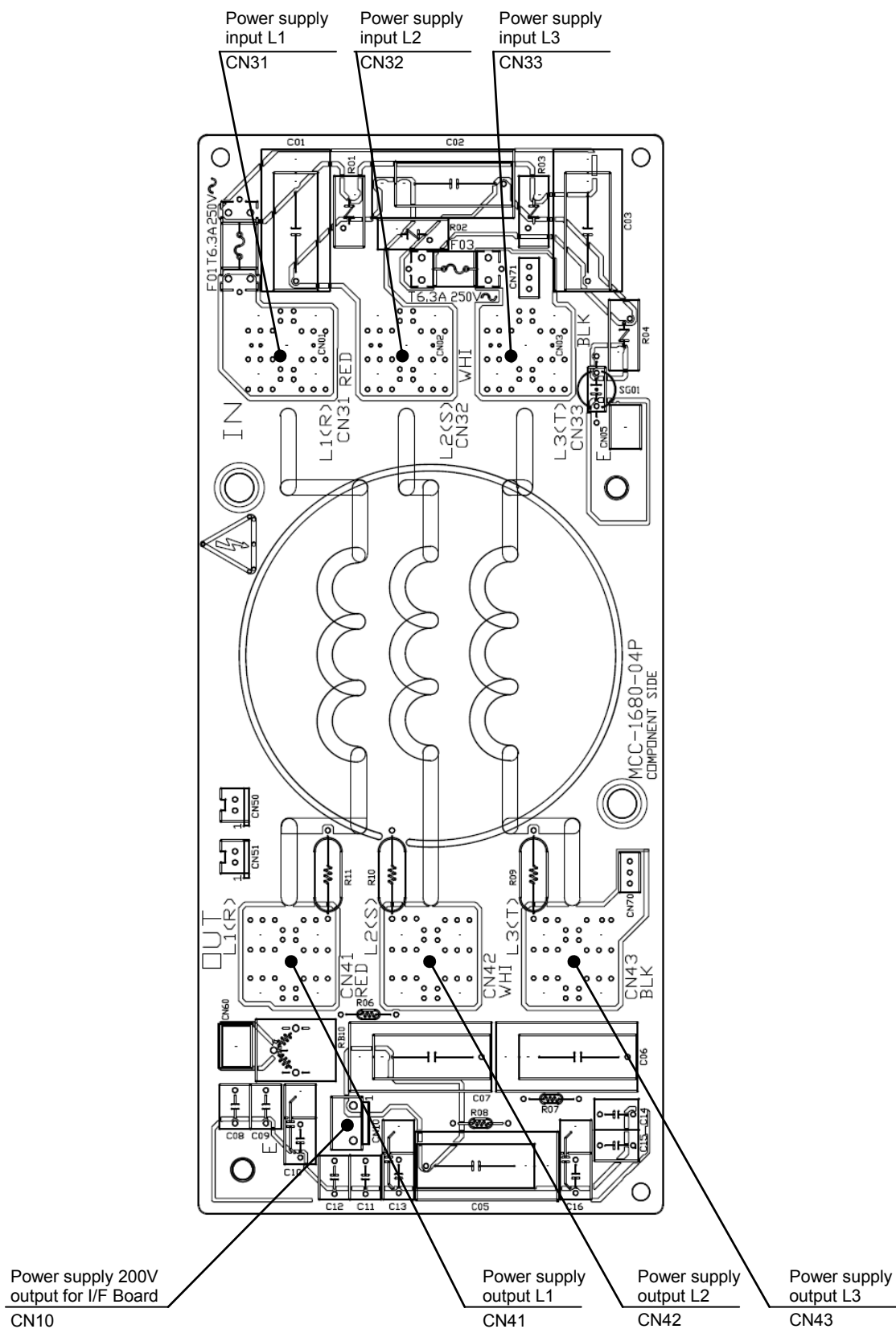
Model: MMY-MAP0726FT9P-UL / MMY-MAP0966FT9P-UL, MAP1206FT9P-UL



# 3-7-6. Noise Filter PC board (MCC-1680)

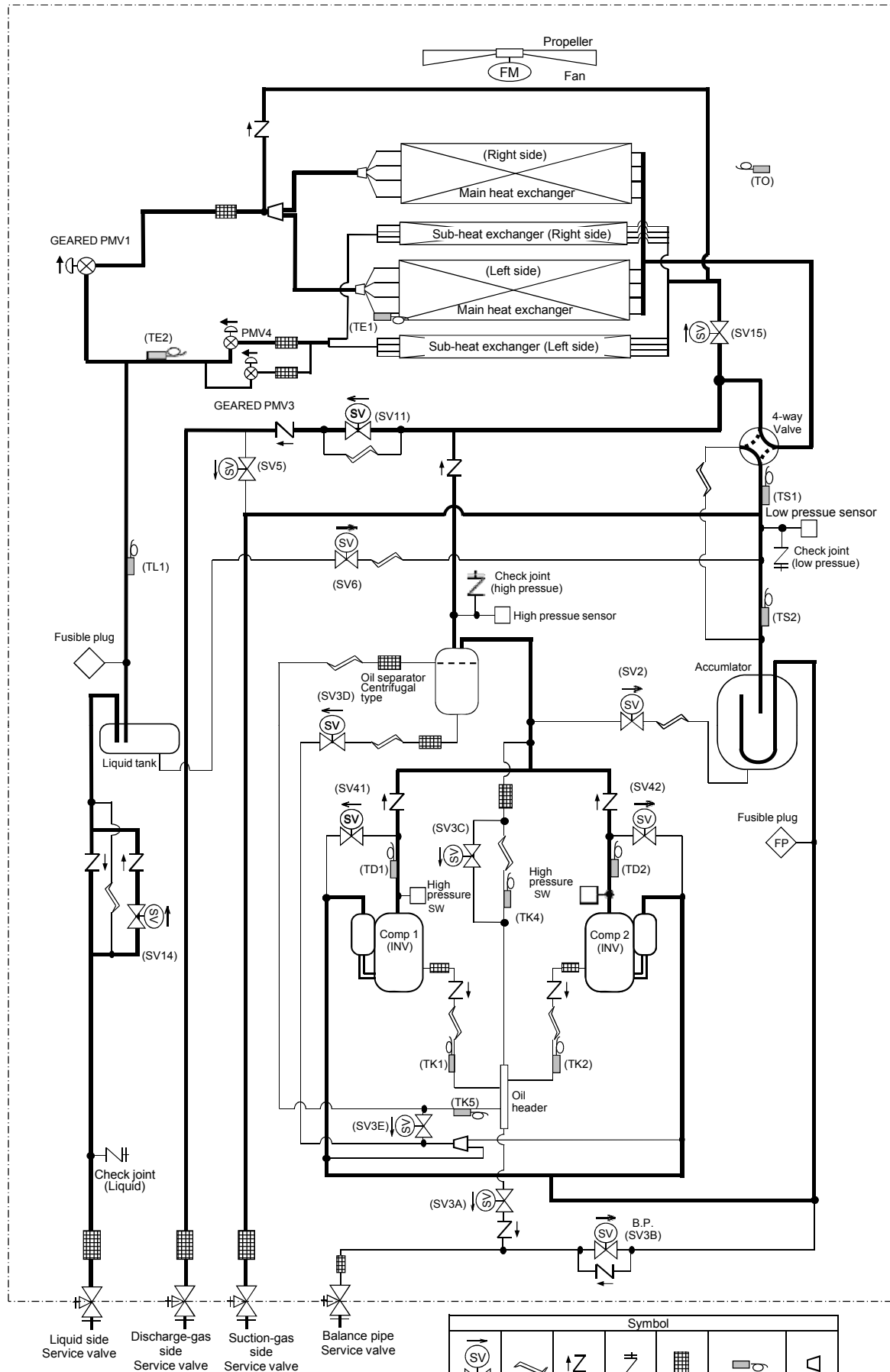
Outdoor Unit (12, 14 ton)

Model: MMY-MAP1446FT9P-UL, MAP1686FT9P-UL

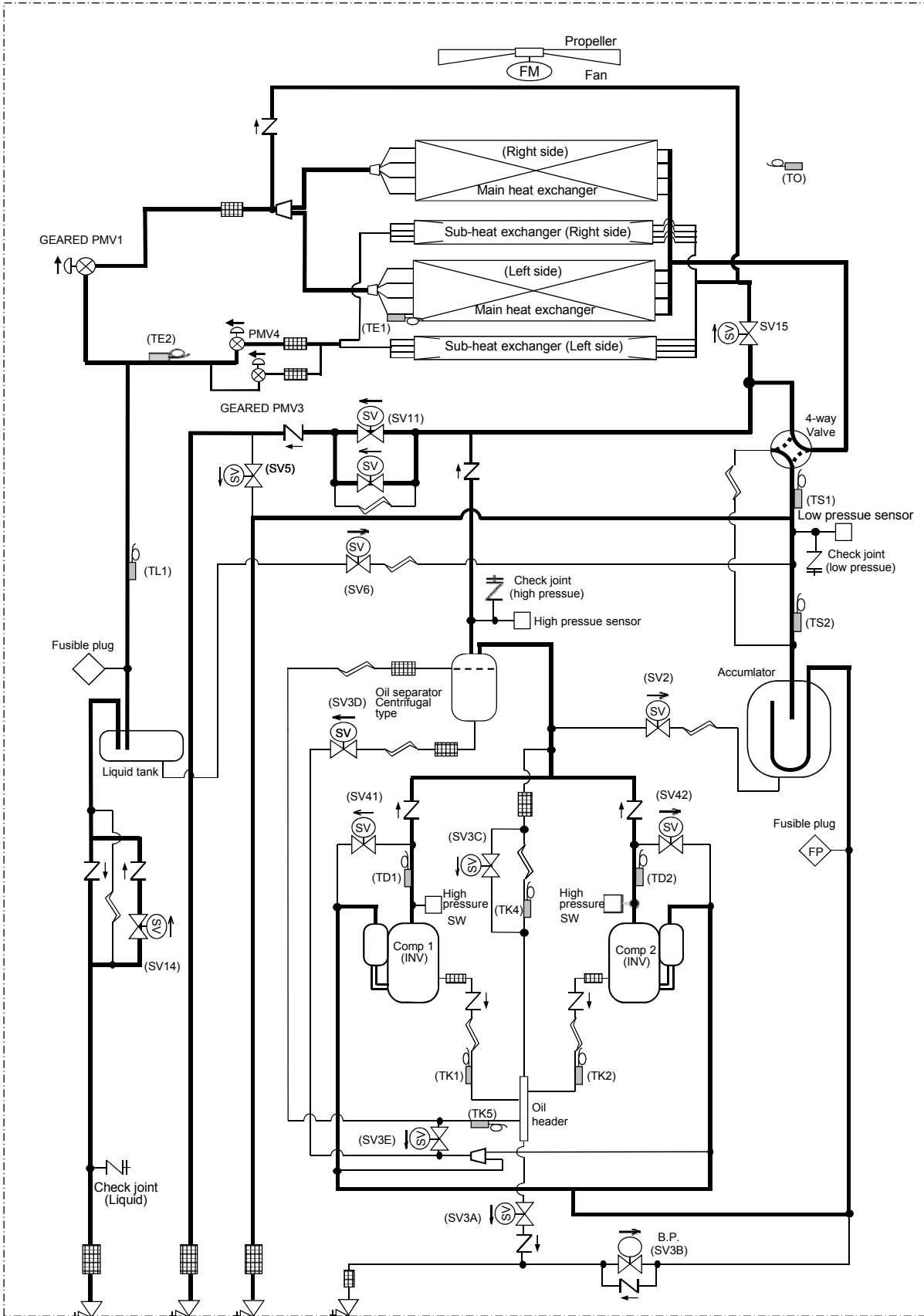


# 4 Refrigerant Piping Systematic Drawing

Outdoor Unit (6 ton)  
Model: MMY-MAP0726FT\*



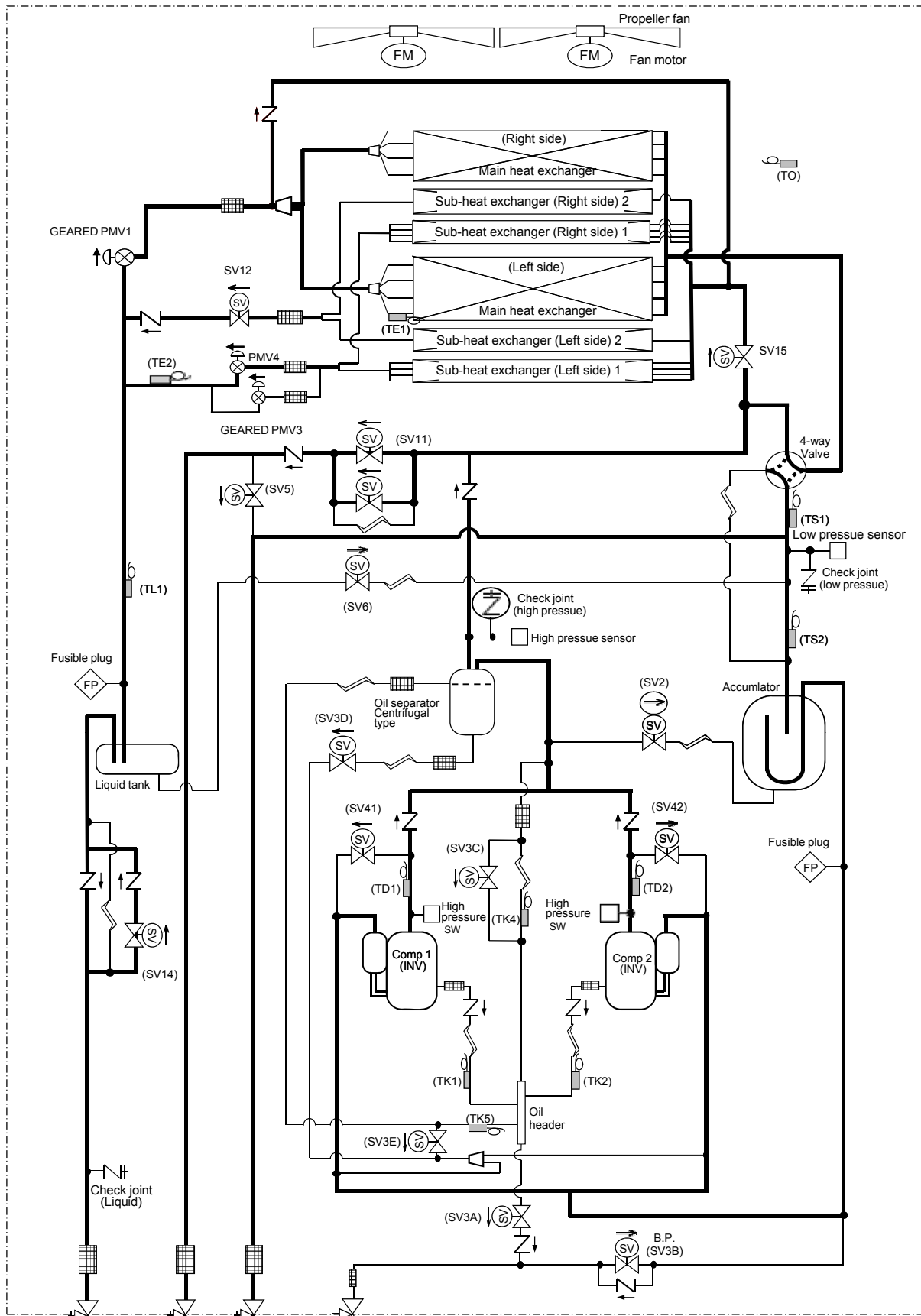
**Outdoor Unit (8, 10 Ton)**  
**Model: MMY-MAP0966FT\*, MAP1206FT\***



Liquid side Service valve    Discharge-gas side Service valve    Suction-gas side Service valve    Balance pipe Service valve

Symbol						
Solenoid valve	Capillary tube	Check valve	Check joint	Strainer	Temperature sensor	Distributor

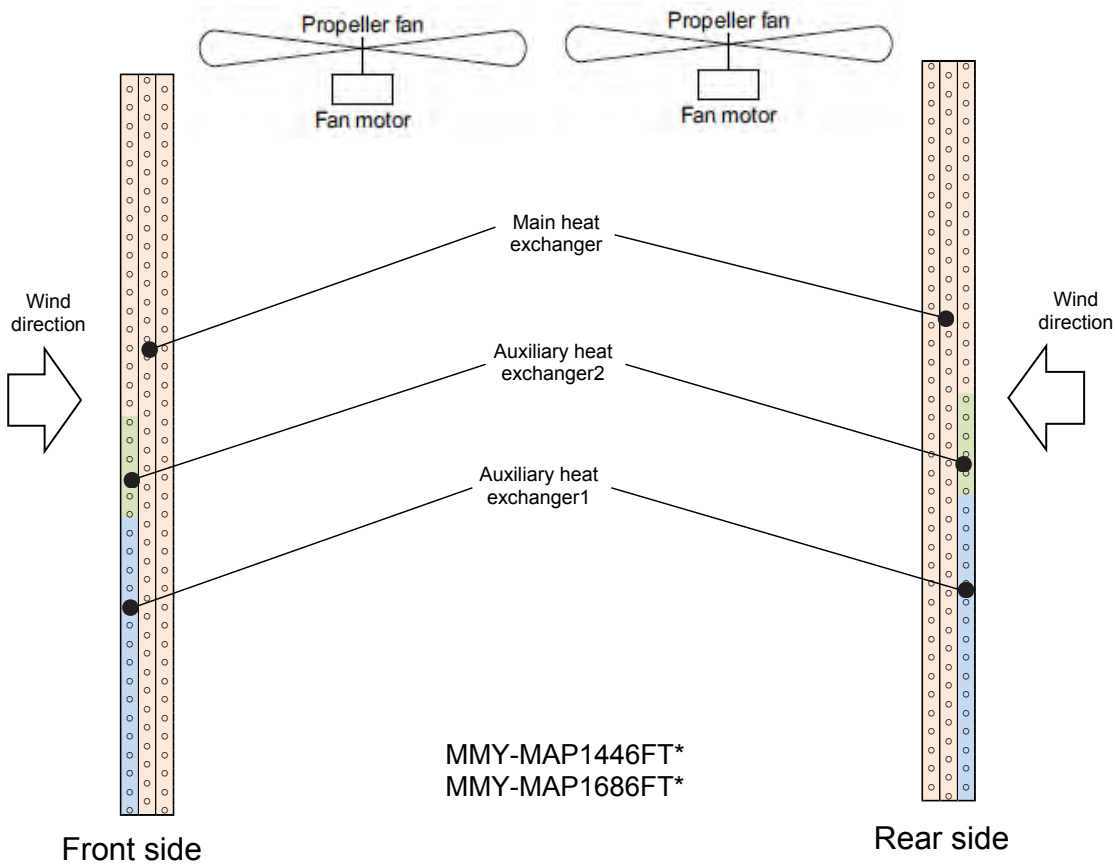
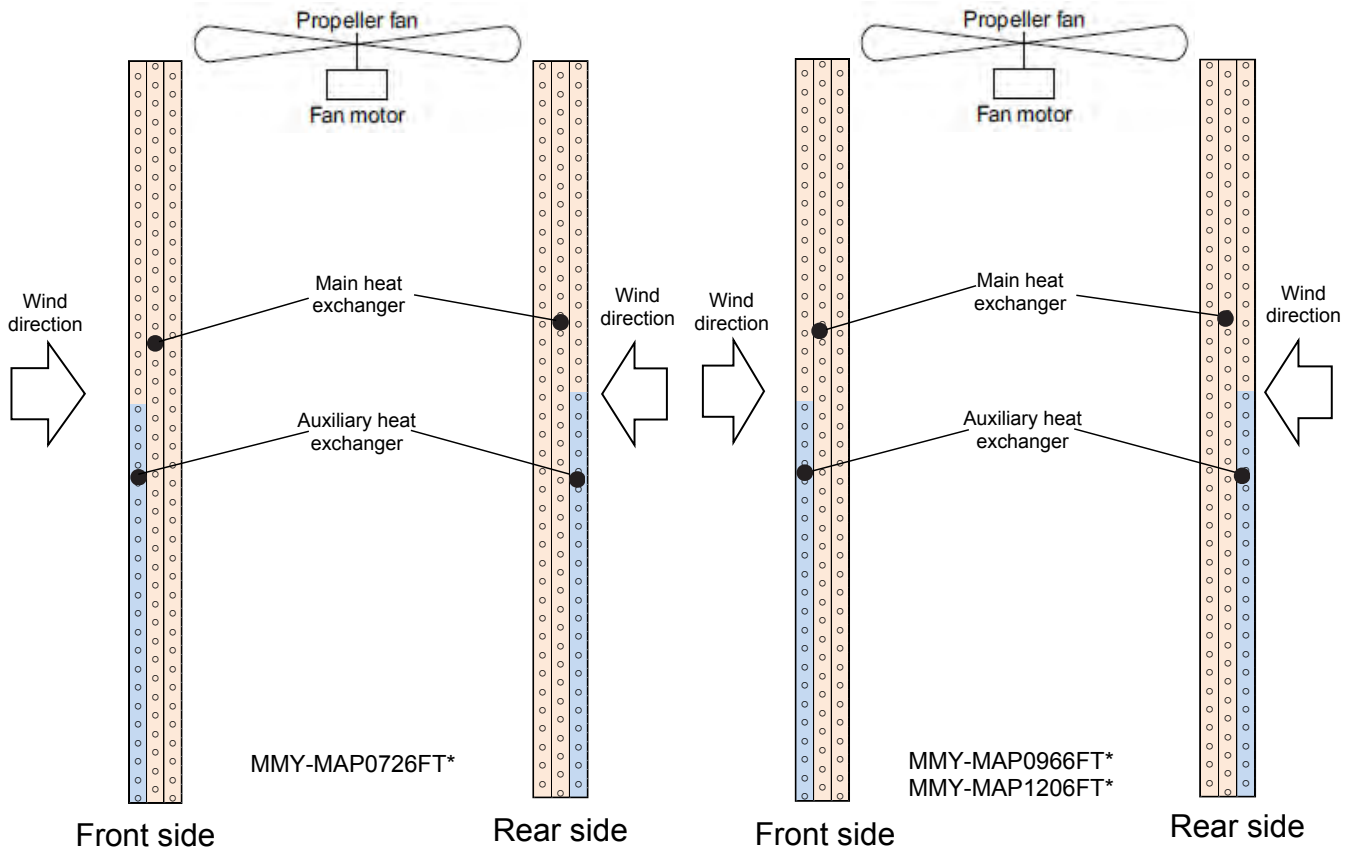
**Outdoor Unit (12, 14 ton)**  
**Model: MMY-MAP1446FT\*-UL, MAP-1686FT\*-UL**



Liquid side Service valve  
 Discharge-gas side Service valve  
 Suction-gas side Service valve  
 Balance pipe Service valve

Symbol						
Solenoid valve	Capillary tube	Check valve	Check joint	Strainer	Temperature sensor	Distributor

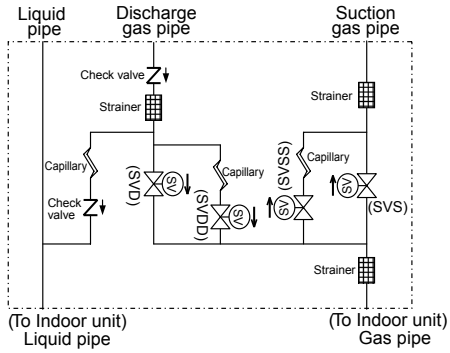
# Configuration of outdoor unit heat exchanger



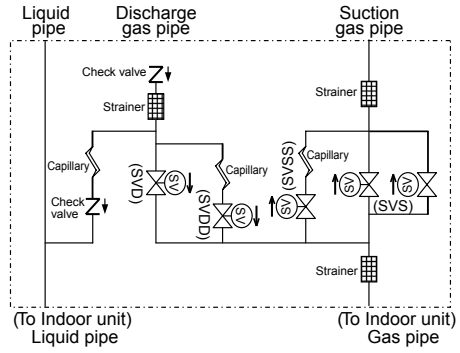


# Flow Selector unit Single port FS unit

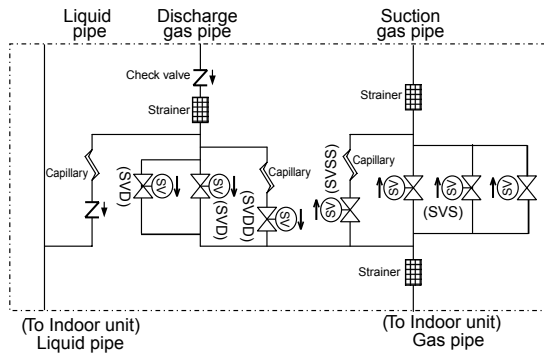
**RBM-Y0383FUL**



**RBM-Y0613FUL**

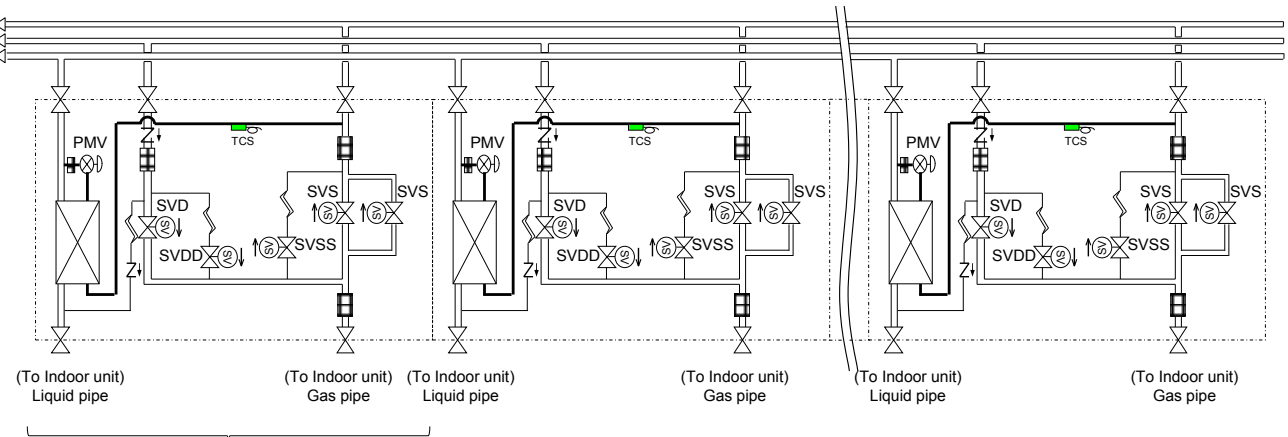


**RBM-Y0963FUL**



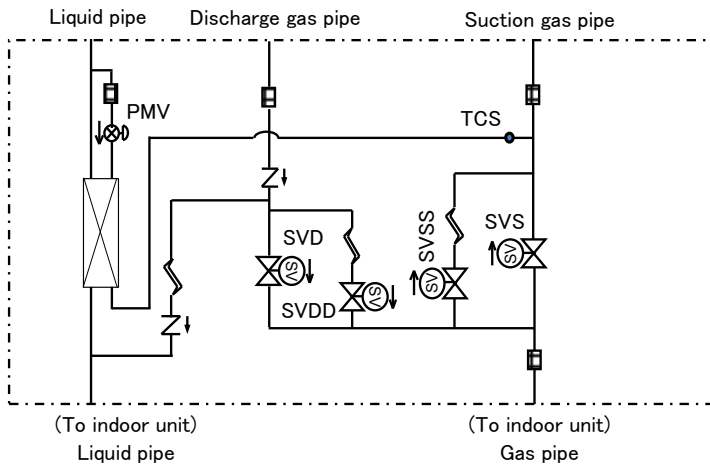
## Multi port FS unit

(To Outdoor unit)  
Suction gas pipe  
Discharge gas  
Liquid pipe

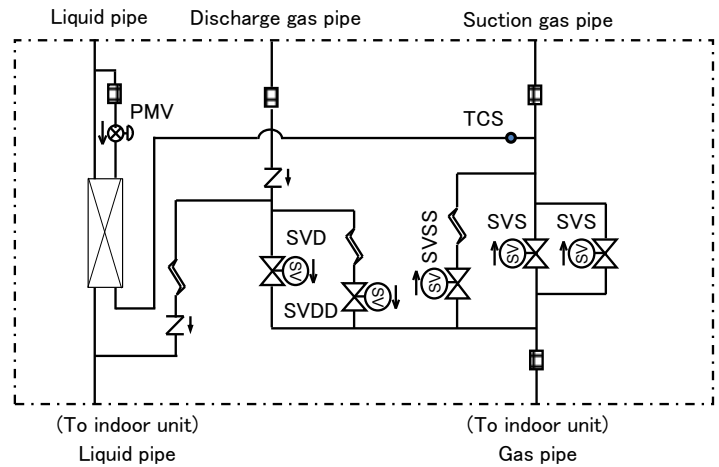


Branch unit  
F4PUL: 4 units  
F6PUL: 6 units

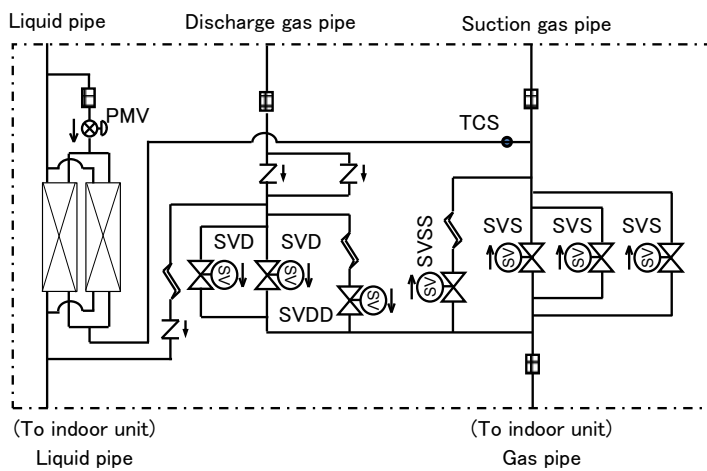
RBM-Y0384FUL



RBM-Y0614FUL

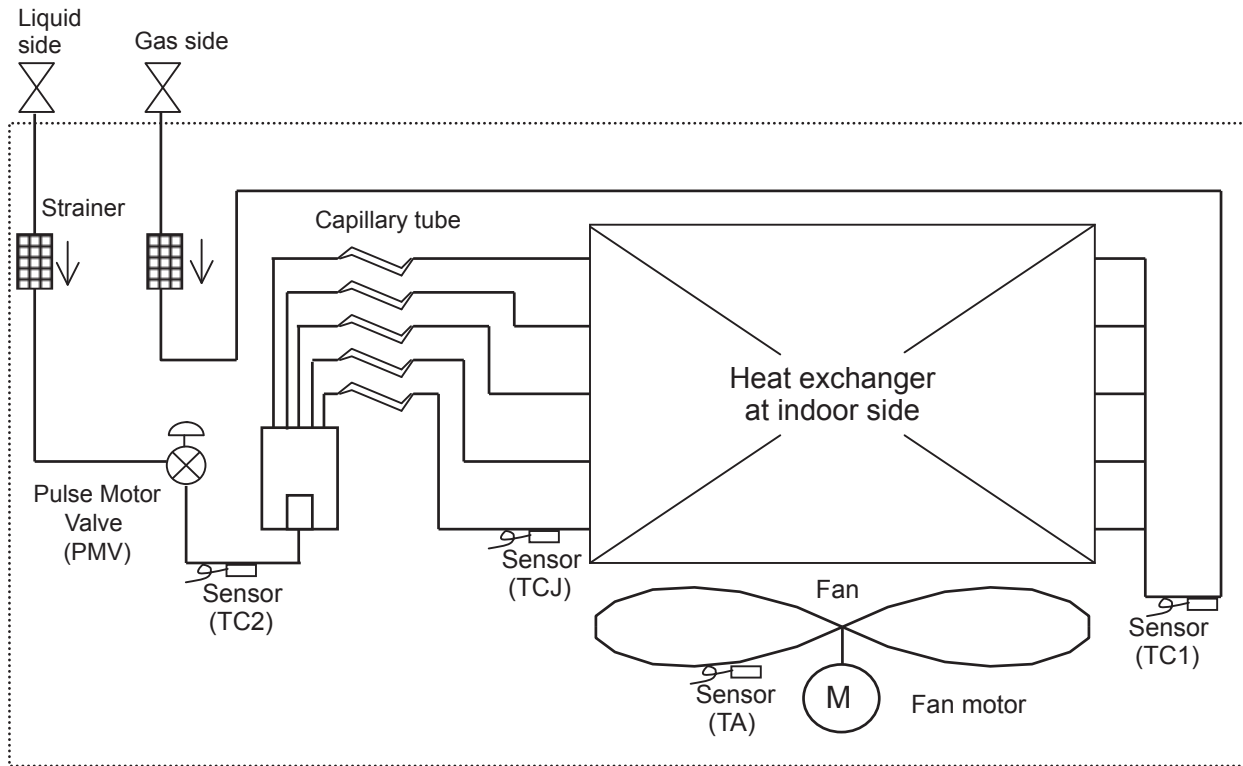


RBM-Y0964FUL



Functional parts name		Function outline
Solenoid valve	SVD	(Discharge gas block valve) 1) High-pressure gas circuit at heating operation
	SVS	(Suction gas block valve) 1) Low-pressure gas circuit at cooling operation
	SVDD	(Pressure valve) 1) To increase pressure when No. of indoor heating units are increased
	SVSS	(Regulator valve) 1) To recover refrigerant in the stopped cooling thermostat-OFF indoor unit 2) To decrease pressure when No. of indoor heating units are decreased
Pulse motor valve	PMV	Multi port FS unit, Single port FS unit (Long piping model) 1) Controls flow volume of the double-pipes bypass circuit
Temp. sensor	TCS	Multi port FS unit, Single port FS unit (Long piping model) 1) Detects refrigerant temp. at outlet of the double-pipes bypass circuit to check an abnormality of PMV

## Indoor Unit

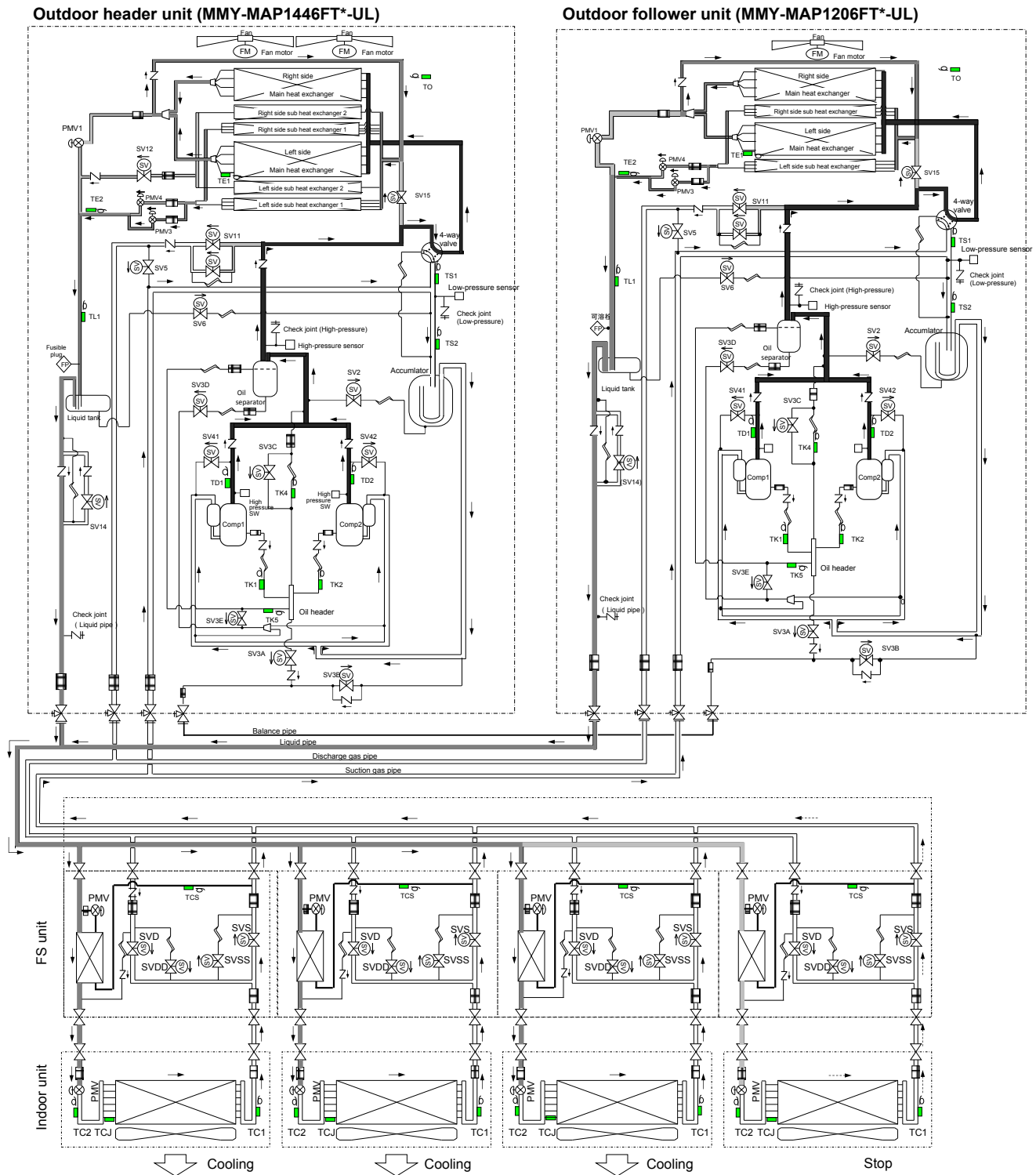


### Explanation of functional parts in indoor unit

Functional part name		Functional outline
Pulse Motor Valve	PMV	(Connector CN082 (6P): Blue) 1) Controls super heat in cooling operation 2) Controls subcool in heating operation 3) Recovers refrigerant oil in cooling operation 4) Recovers refrigerant oil in heating operation
Temp. Sensor	TA	(Connector CN104 (2P): Yellow) 1) Detects indoor suction temperature
	TC1	(Connector CN100 (3P): Brown) 1) Controls PMV super heat in cooling operation
	TC2	(Connector CN101 (2P): Black) 1) Controls PMV subcool in heating operation
	TCJ	(Connector CN102 (2P): Red) 1) Controls PMV super heat in cooling operation

# 5 Combined Refrigerant Piping System Schematic Diagrams

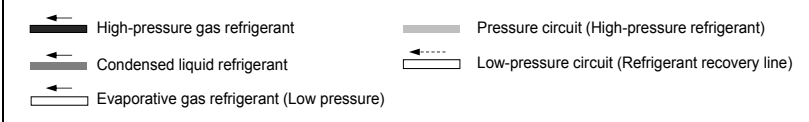
## 5-1. All Cooling mode (Operation of cooling only) when outside temperature is high (Standard: 90° For higher)



Outdoor unit			
4-Way valve	OFF	SV3A	Control
SV4(n)	OFF(*1)	SV3B	Control
SV5	ON	SV3C	Control
SV6	Control	SV3D	Control
SV11	OFF	SV3E	ON
SV12	OFF	PMV1	Close
SV14	OFF	PMV3	Control
SV15	OFF	PMV4	Close
		Outdoor Fan	Control

(\*1) SV4(n) of stopped compressor (n) = ON

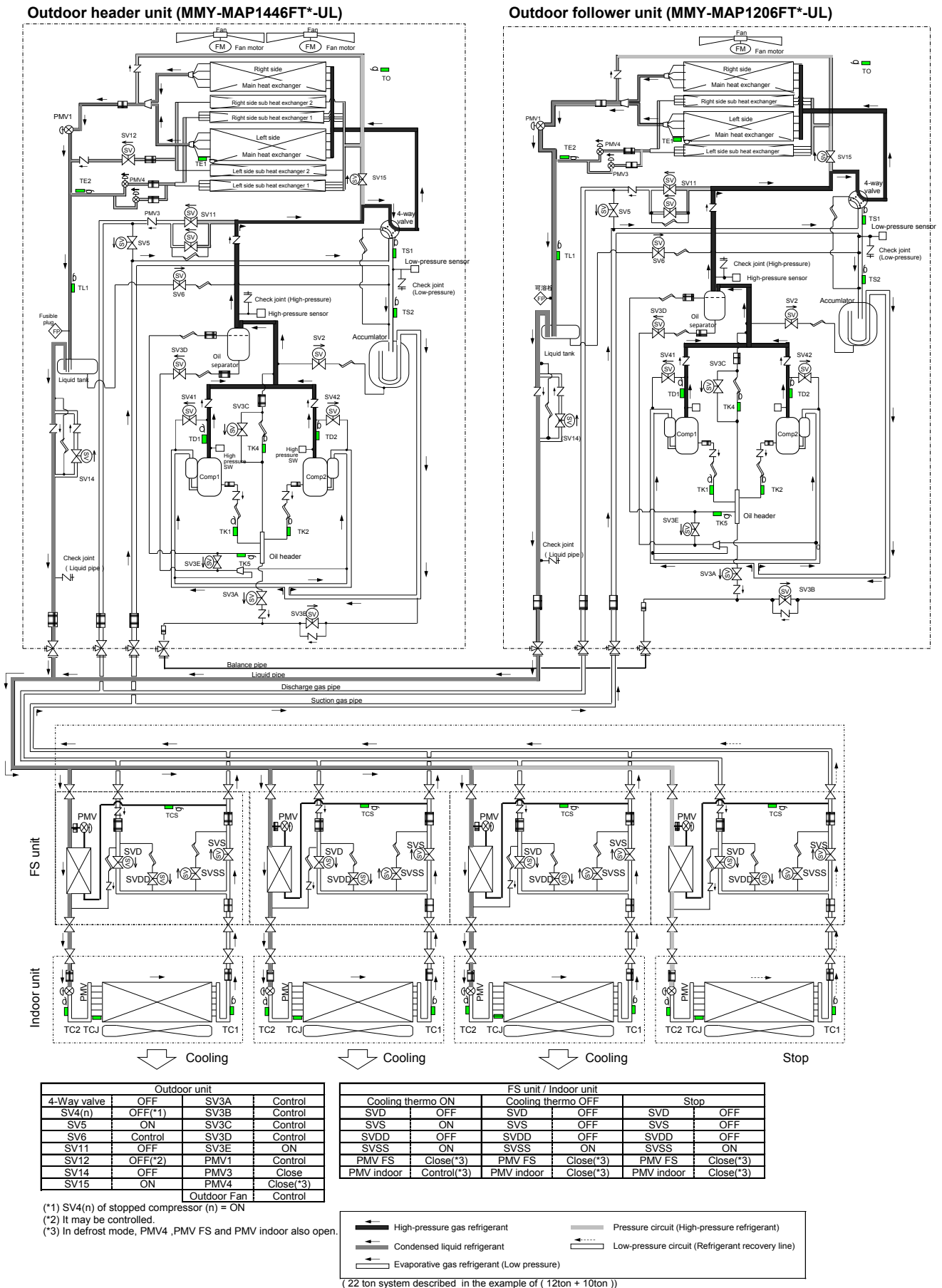
FS unit / Indoor unit									
Cooling thermo ON			Cooling thermo OFF			Stop			
SVD	OFF	SVD	OFF	SVD	OFF	SVD	OFF	SVD	OFF
SVS	ON	SVS	OFF	SVS	OFF	SVS	OFF	SVS	OFF
SVDD	OFF	SVDD	OFF	SVDD	OFF	SVDD	OFF	SVDD	OFF
SVSS	ON	SVSS	ON	SVSS	ON	SVSS	ON	SVSS	ON
PMV FS	Close	PMV FS	Close	PMV FS	Close	PMV FS	Close	PMV FS	Close
PMV indoor	Control	PMV indoor	Close	PMV indoor	Close	PMV indoor	Close	PMV indoor	Close



( 22 ton system described in the example of ( 12ton + 10ton ) )

The outdoor unit which communication line between indoor and outdoor is connected is the "Header unit". Other outdoor units are called "Follower units".

## 5-2. All Cooling mode (Operation of cooling only) when outside temperature is middle (Standard: 50° F ~ 90° F) / Defrost mode



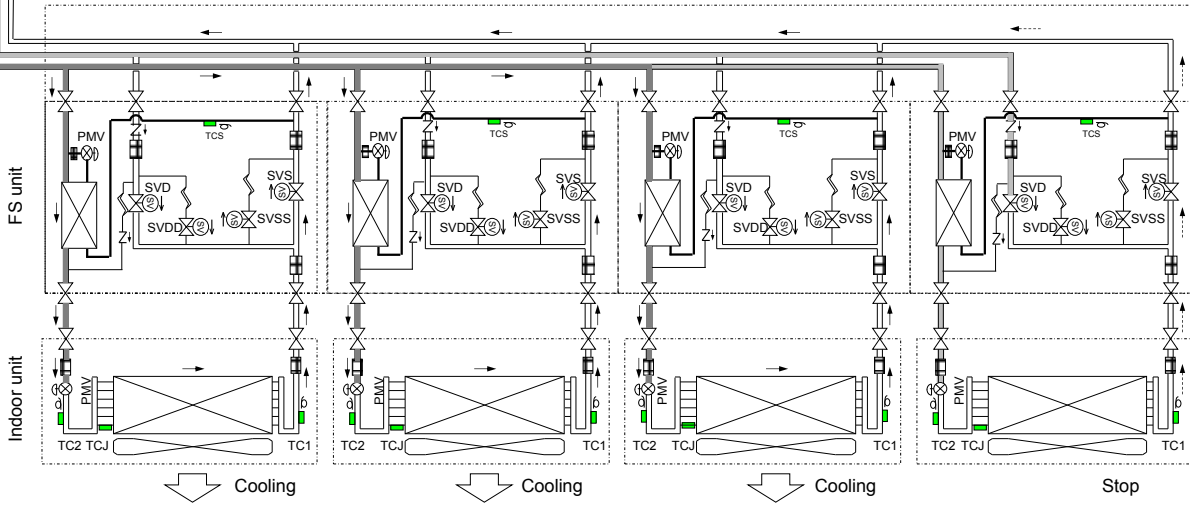
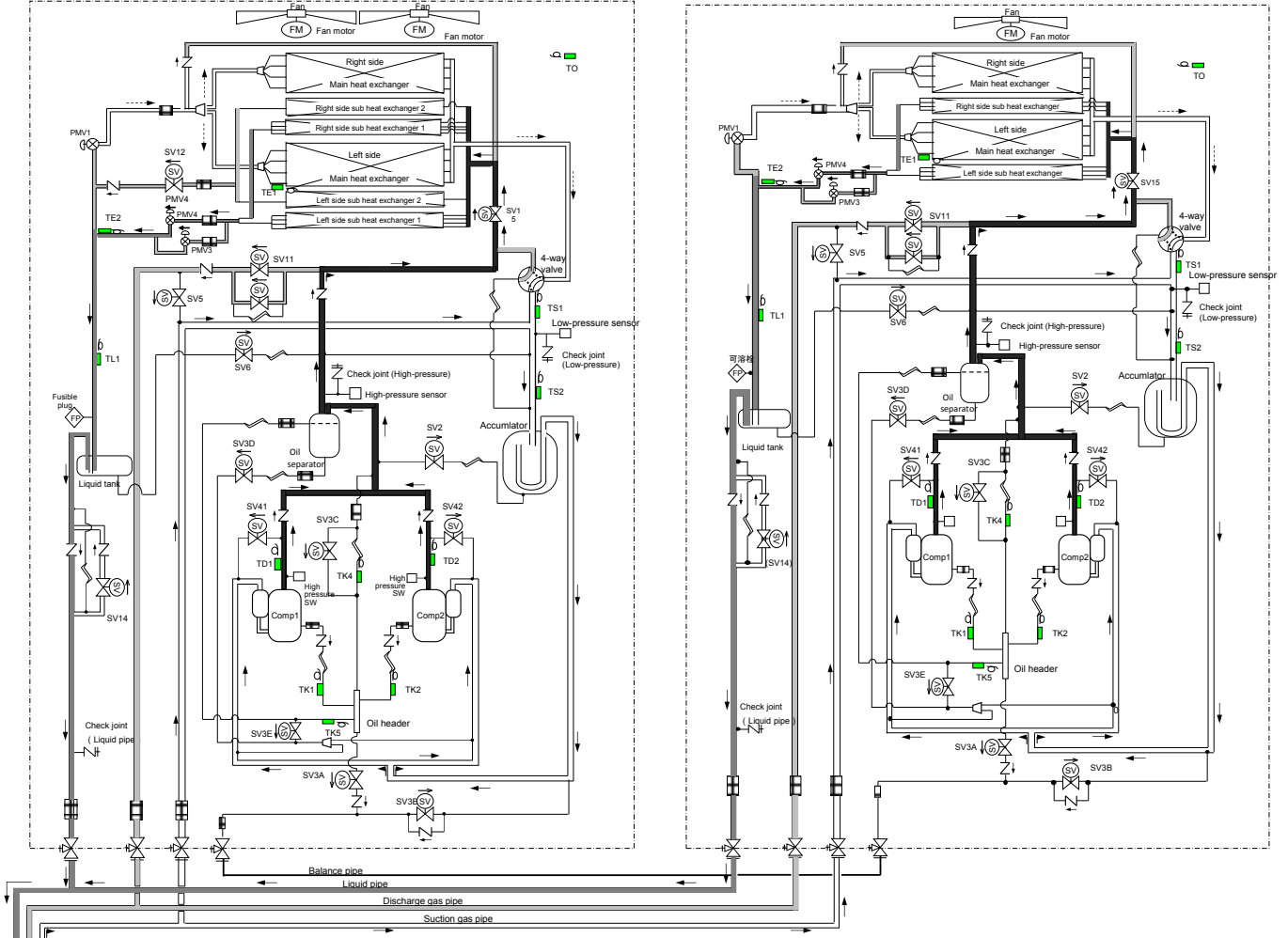
The outdoor unit which communication line between indoor and outdoor is connected is the "Header unit". Other outdoor units are called "Follower units".



**5-3. All Cooling mode (Operation of cooling only) when outside temperature is low (Standard: 50° F or lower)**

**Outdoor header unit (MMY-MAP1446FT\*-UL)**

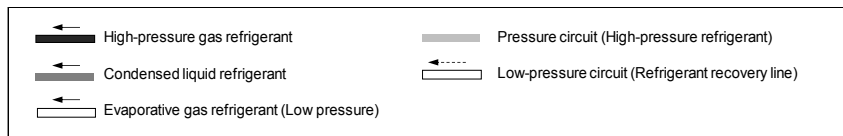
**Outdoor follower unit (MMY-MAP1206FT\*-UL)**



Outdoor unit			
4-Way valve	ON	SV3A	Control
SV4(n)	OFF(*1)	SV3B	Control
SV5	OFF	SV3C	Control
SV6	Control	SV3D	Control
SV11	ON	SV3E	ON
SV12	Control	PMV1	Close(*2)
SV14	OFF	PMV3	Close
SV15	ON	PMV4	Control
		Outdoor Fan	Control

FS unit / Indoor unit			
Cooling thermo ON		Stop	
SVD	OFF	SVD	OFF
SVS	ON	SVS	OFF
SVDD	ON	SVDD	OFF
SVSS	ON	SVSS	ON
PMV FS	Close	PMV FS	Close
PMV indoor	Control	PMV indoor	Close

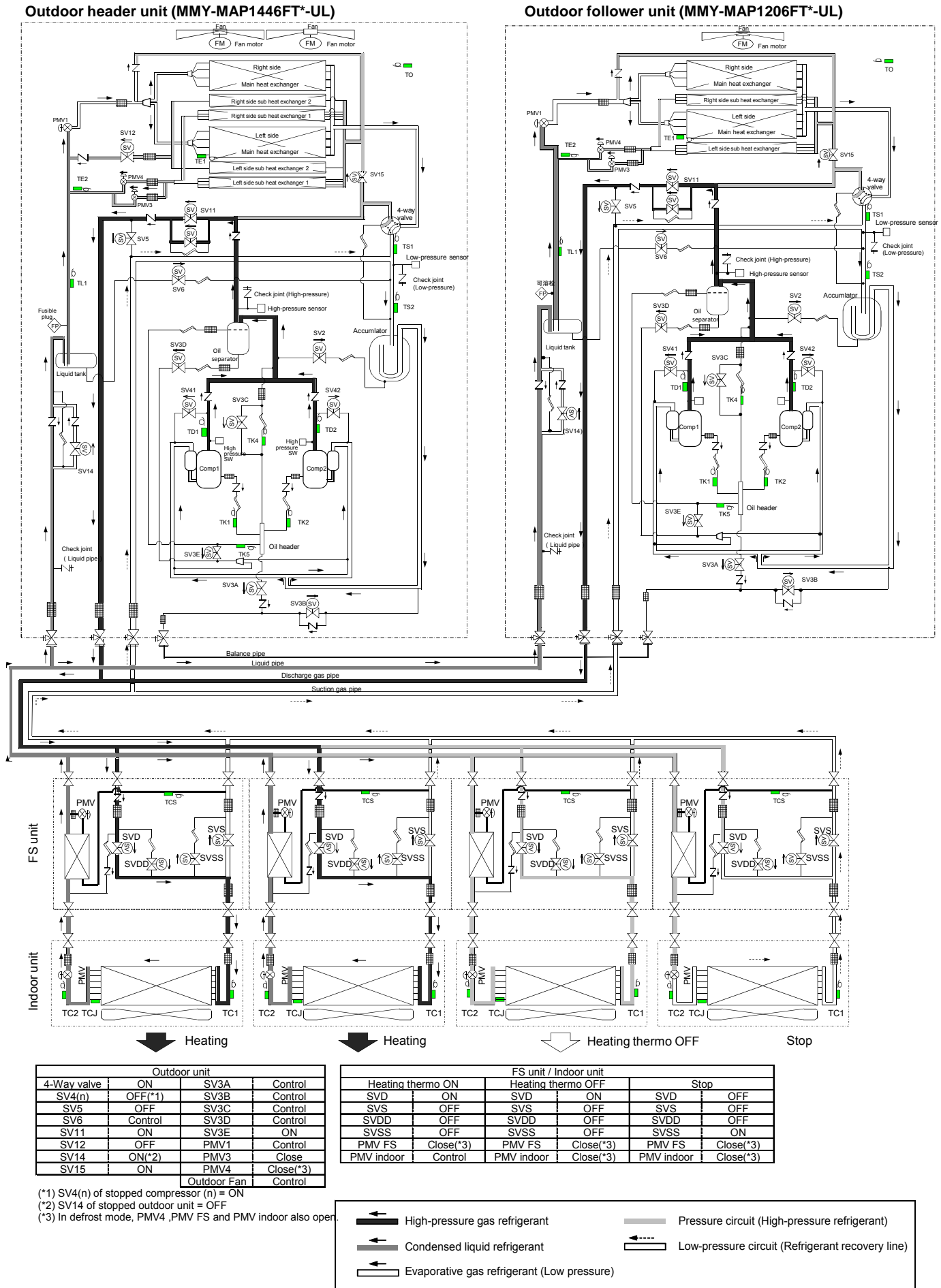
(\*1) SV4(n) of stopped compressor (n) = ON  
 (\*2) It may be controlled.



( 22 ton system described in the example of ( 12ton + 10ton ) )

The outdoor unit which communication line between indoor and outdoor is connected is the "Header unit". Other outdoor units are called "Follower units".

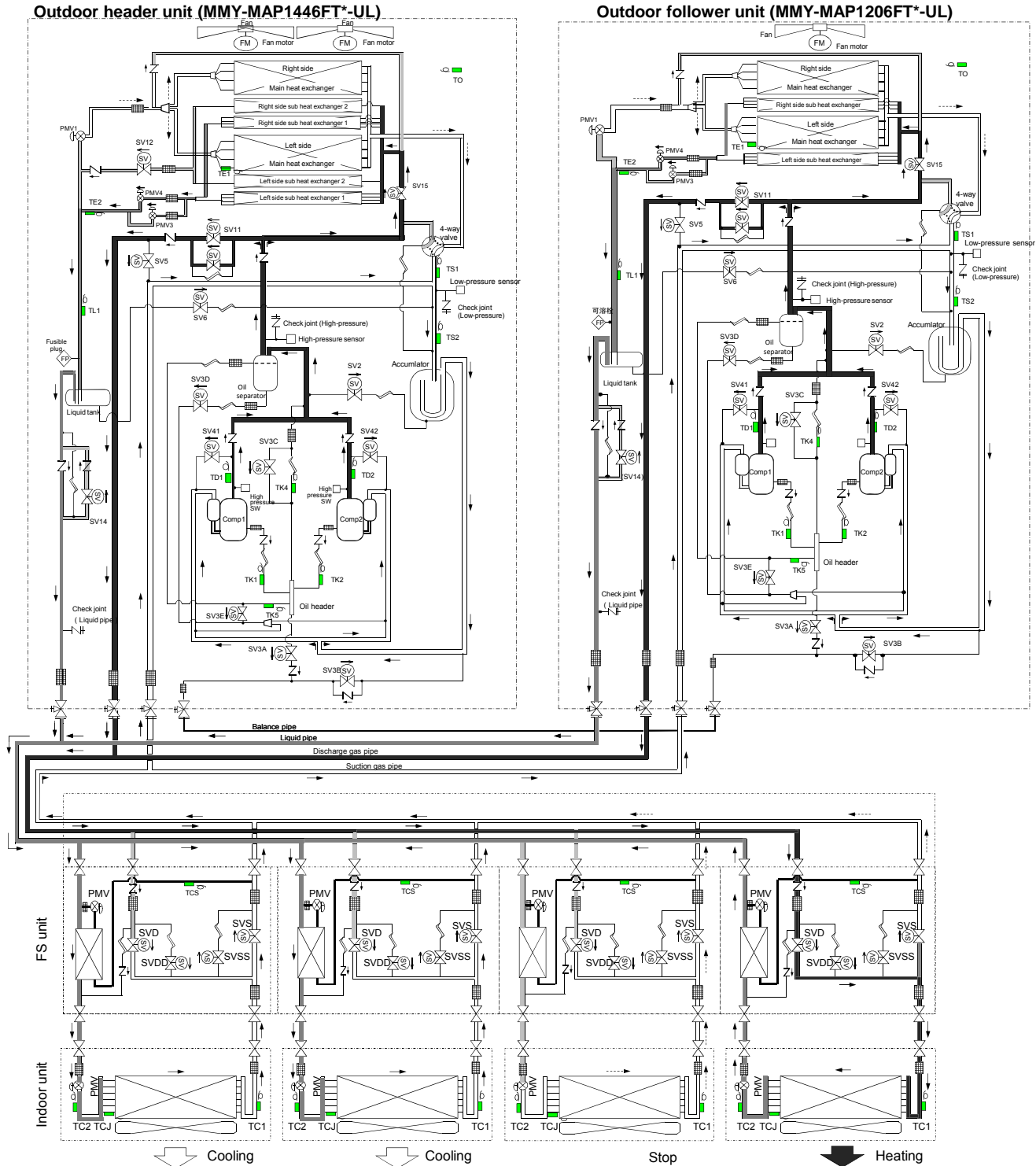
### 5-4. All Heating mode (Operation of heating only)



The outdoor unit which communication line between indoor and outdoor is connected is the "Header unit". Other outdoor units are called "Follower units".

## 5-5. Mainly cooling mode

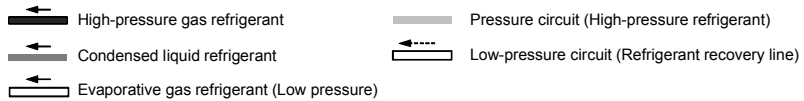
(Operating cooling function mainly, collective operation of cooling and heating operation)



Outdoor unit			
4-Way valve	ON	SV3A	Control
SV4(n)	OFF(*1)	SV3B	Control
SV5	OFF	SV3C	Control
SV6	Control	SV3D	Control
SV11	ON	SV3E	ON
SV12	OFF	PMV1	Close(*3)
SV14	ON(*2)	PMV3	Close
SV15	ON	PMV4	Control
		Outdoor Fan	Control

(\*1) SV4(n) of stopped compressor (n) = ON  
 (\*2) SV14 of stopped outdoor unit = OFF  
 (\*3) It may be controlled.

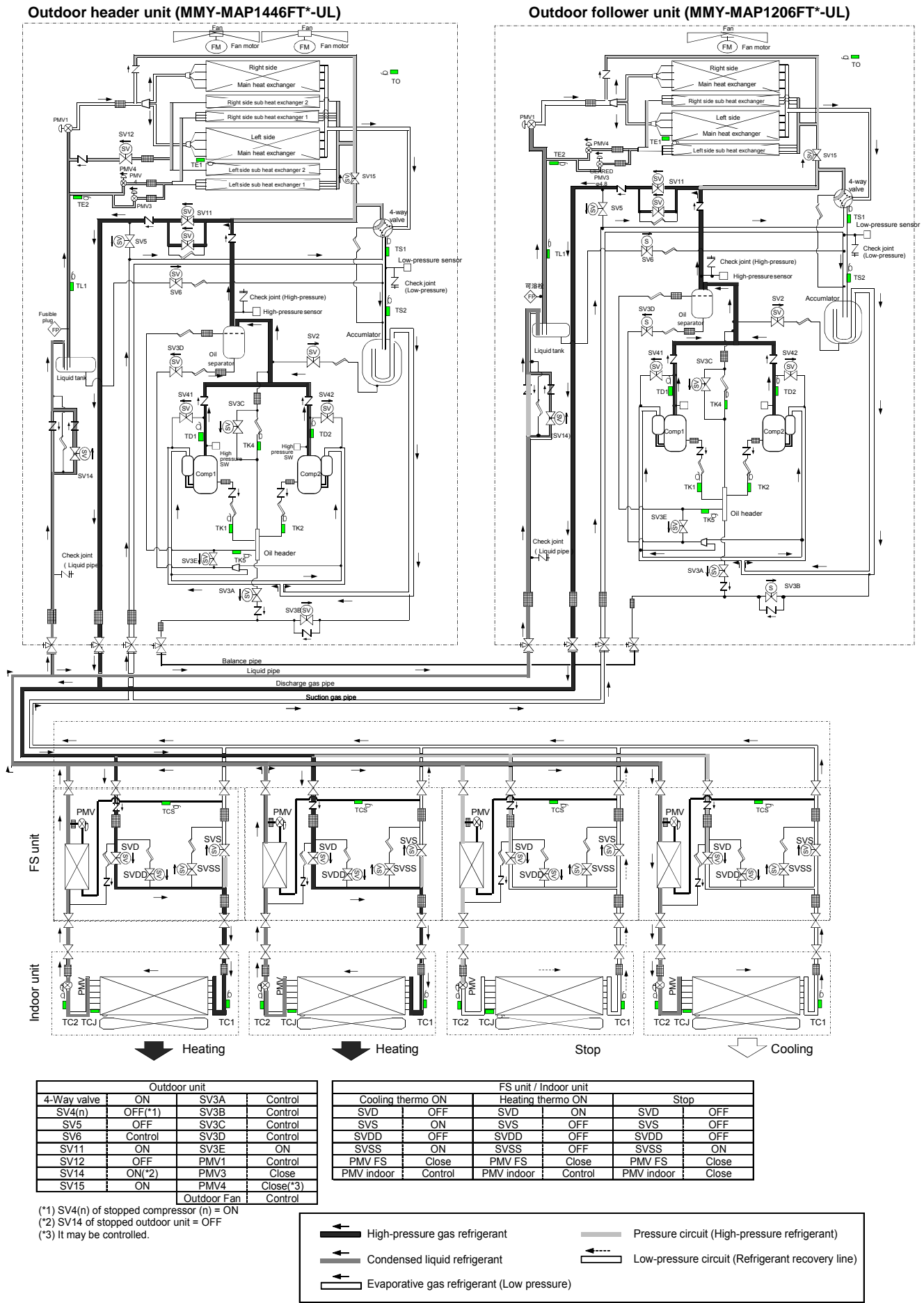
FS unit / Indoor unit					
Cooling thermo ON		Heating thermo ON		Stop	
SVD	OFF	SVD	ON	SVD	OFF
SVS	ON	SVS	OFF	SVS	OFF
SVDD	OFF	SVDD	OFF	SVDD	OFF
SVSS	ON	SVSS	OFF	SVSS	ON
PMV FS	Close	PMV FS	Close	PMV FS	Close
PMV indoor	Control	PMV indoor	Control	PMV indoor	Close



( 22 ton system described in the example of ( 12ton + 10ton ) )

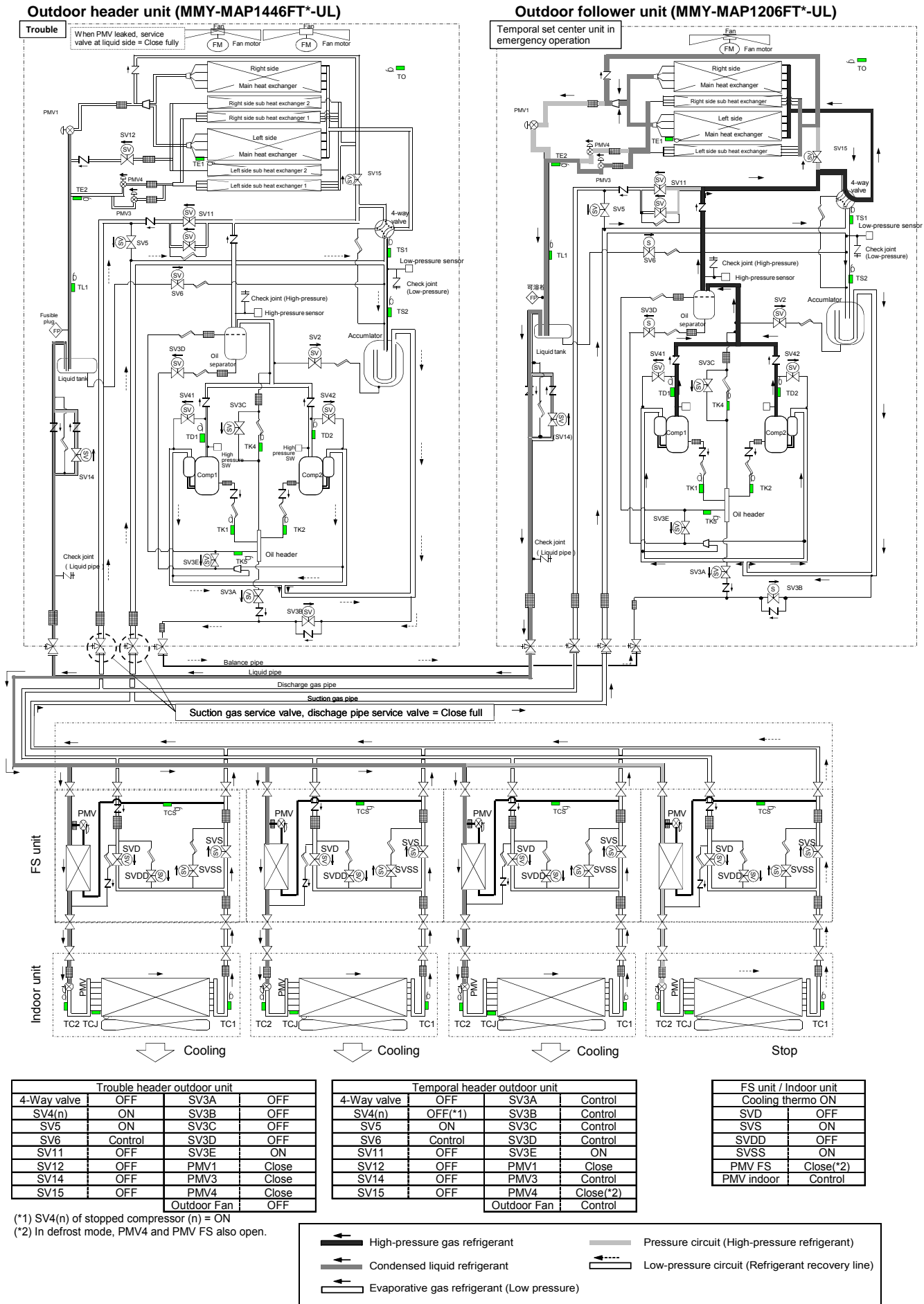
The outdoor unit which communication line between indoor and outdoor is connected is the "Header unit".  
 Other outdoor units are called "Follower units".

## 5-6. Mainly heating mode (Operating heating function mainly, collective operation of cooling and heating operation)



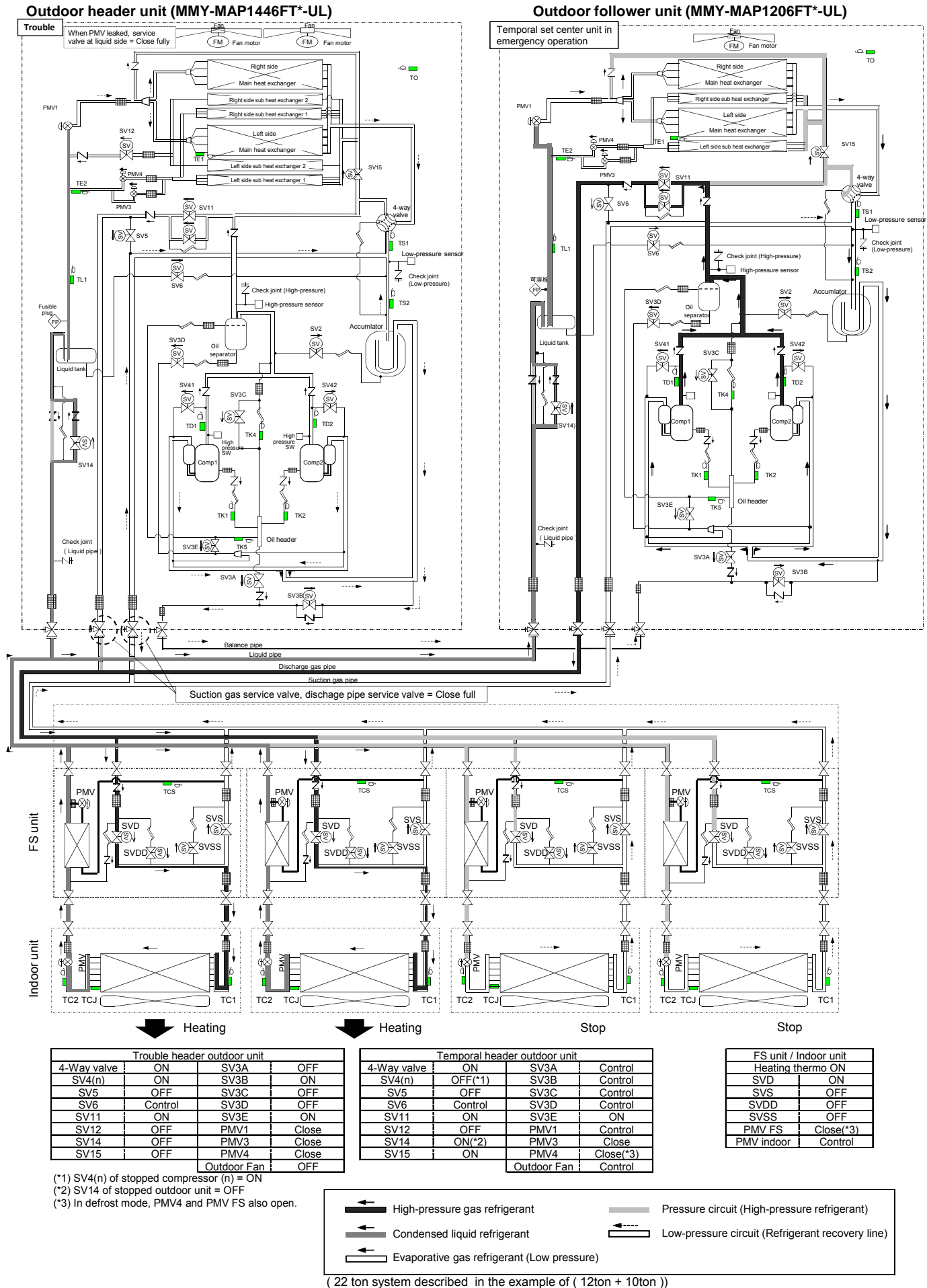
The outdoor unit which communication line between indoor and outdoor is connected is the "Header unit".  
 Other outdoor units are called "Follower units".

### 5-7. Emergency operation (All cooling operation at backup of the header unit)



The outdoor unit which communication line between indoor and outdoor is connected is the "Header unit". Other outdoor units are called "Follower units".

### 5-8. Emergency operation (All heating operation at backup of the header unit)

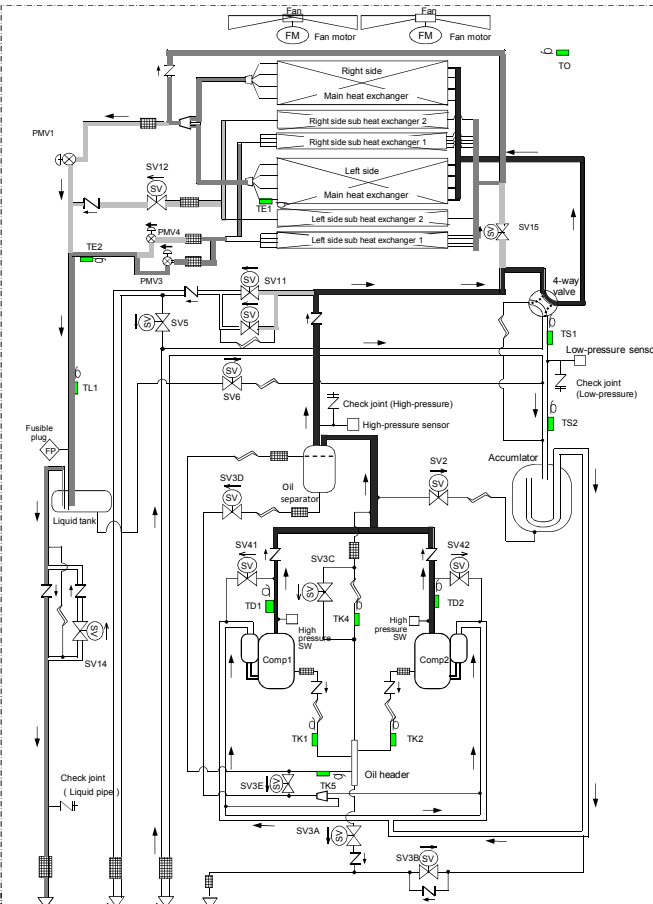


The outdoor unit which communication line between indoor and outdoor is connected is the "Header unit". Other outdoor units are called "Follower units".

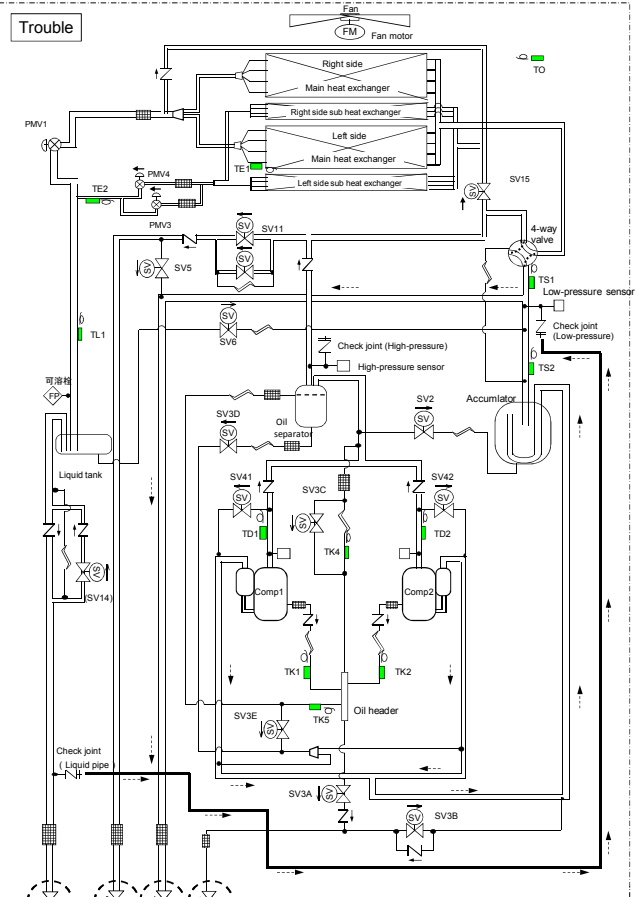


# 5-9. Refrigerant recovery (during pump-down operation) of the troubled outdoor unit (In case of trouble of follower unit)

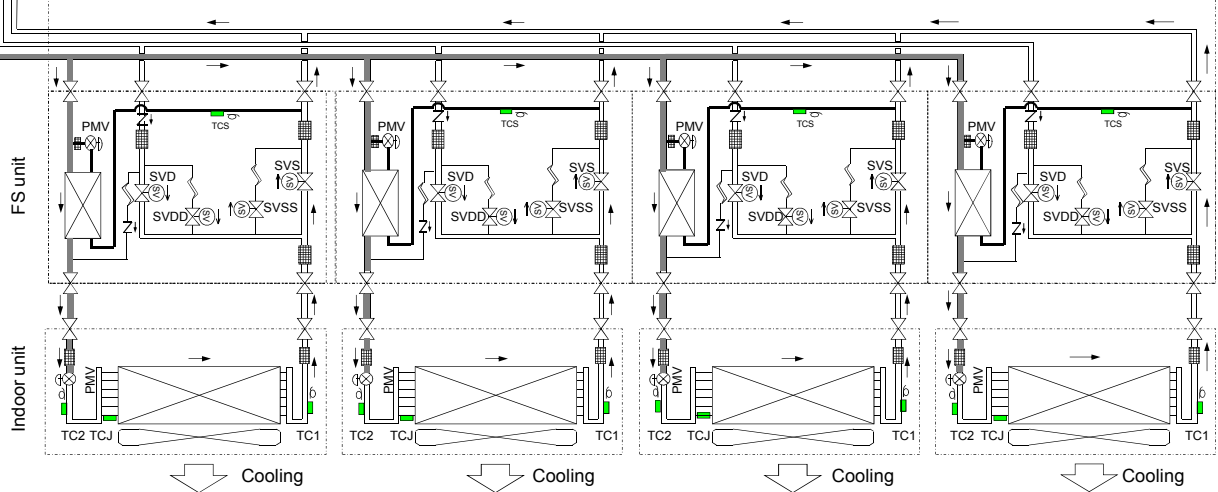
Outdoor header unit (MMY-MAP1446FT\*-UL)



Outdoor follower unit (MMY-MAP1206FT\*-UL)



Balance pipe packed valve = Open full  
 Low pressure gas pipe service valve = Open full  
 ⇒ Liquid pipe 10 minutes after operation = Close full  
 Liquid side service valve, discharge pipe service valve = Close full

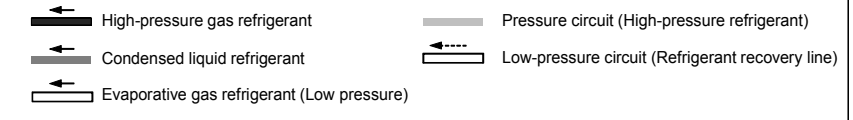


Header outdoor unit			
4-Way valve	OFF	SV3A	Control
SV4(n)	OFF(*1)	SV3B	Control
SV5	ON	SV3C	Control
SV6	Control	SV3D	Control
SV11	OFF	SV3E	ON
SV12	OFF	PMV1	Close
SV14	OFF	PMV3	Control
SV15	OFF	PMV4	Close
		Outdoor Fan	Control

Trouble outdoor unit			
4-Way valve	OFF	SV3A	Control
SV4(n)	Control	SV3B	Control
SV5	Control	SV3C	Control
SV6	Control	SV3D	Control
SV11	Control	SV3E	ON
SV12	Control	PMV1	Control
SV14	Control	PMV3	Control
SV15	Control	PMV4	Control
		Outdoor Fan	Control

FS unit / Indoor unit	
Cooling thermo	ON
SVD	OFF
SVS	ON
SVDD	OFF
SVSS	ON
PMV FS	Close
PMV indoor	Control

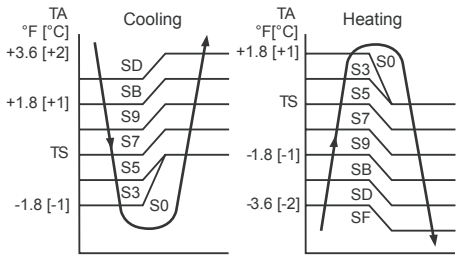
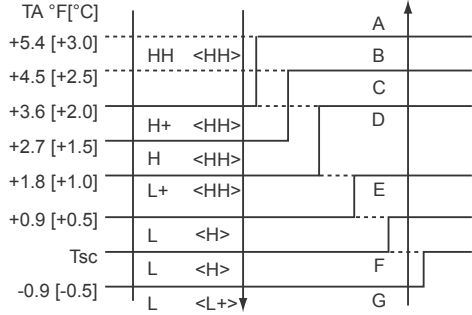
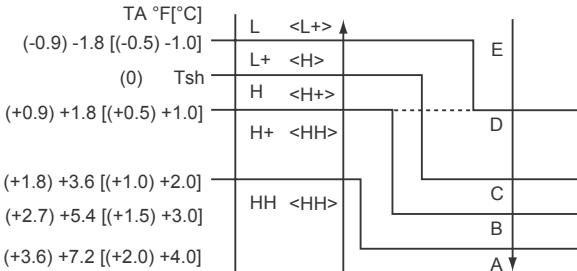
(\*1) SV4(n) of stopped compressor (n) = ON




( 22 ton system described in the example of ( 12ton + 10ton ))








The outdoor unit which communication line between indoor and outdoor is connected is the "Header unit". Other outdoor units are called "Follower units".






NO.	Item	Specification outline	Remarks
4	Automatic capacity control	<p>1. The outdoor unit determines the operational capacities of indoor units according to the difference between TA and TS.</p> 	<p>TS: Temperature setting TA: Room temperature</p>
5	Fan speed control	<p>1. The fan operates in one of the four speed modes of "HIGH (HH)", "MED (H)", "LOW (L)" and "AUTO" on the basis of a command issued via the remote controller. (Concealed duct high static pressure type: HH only)</p> <p>2. In AUTO fan speed mode, the air speed changes according to the difference between TA and TS.</p> <p><b>&lt;Cooling&gt;</b></p>  <ul style="list-style-type: none"> <li>• Control is identical in remote controller thermostat and body thermostat operation. Speed modes shown in &lt; &gt; apply to cooling operation under AUTO air conditioner operation mode.</li> <li>• In AUTO fan speed mode, the fan speed remains the same for 3 minutes each time a speed change occurs. However, a speed change command issued via the remote controller can override this, and the fan speed changes accordingly.</li> <li>• At the beginning of cooling operation, a higher speed (steeper downward temperature gradient) is chosen.</li> <li>• As long as the temperature difference remains on a boundary line, the fan speed stays the same.</li> </ul> <p><b>&lt;Heating&gt;</b></p>  <p>Figures inside ( ) applies to remote controller thermostat operation. Figures outside ( ) applies to body thermostat operation. Speed modes shown in &lt; &gt; apply to heating operation under AUTO air conditioner operation mode.</p> <ul style="list-style-type: none"> <li>• In AUTO fan speed mode, the fan speed remains the same for 1 minute each time a speed change occurs. However, a speed change command issued via the remote controller can override this, and the fan speed changes accordingly.</li> <li>• At the beginning of heating operation, a higher speed (steeper upward temperature gradient) is chosen.</li> <li>• As long as the temperature difference remains on a boundary line, the fan speed stays the same.</li> <li>• When TC2 ≥ 140°F[60°C], the fan speed is raised by one step.</li> </ul>	<p>HH &gt; H+ &gt; H &gt; L+ &gt; L &gt; UL or LL</p> <p>DN code "32" "0000": Body thermostat "0001": Remote controller thermostat</p> <p>TC2: Indoor heat exchanger sensor temperature</p>

NO.	Item	Specification outline	Remarks															
6	Cold air discharge prevention control	<p>1. In heating operation, the upper limit of the fan tap is set according to the lower of whichever is the higher between TC2 sensor and TCJ sensor temperatures, on the one hand, and TC1 sensor temperature, on the other.</p> <ul style="list-style-type: none"> <li>If the fan continuously operates in zone B for 6 minutes, it automatically moves into zone C.</li> <li>During defrosting, the control point is shifted by +10.8°F[6°C]</li> </ul> <p style="text-align: right;">         Zone A: OFF          Zone B: 72°F[26°C] or above and below 82°F[28°C] Breeze          Zone C: 82°F[28°C] or above and below 86°F[30°C] Low          Zone D: 86°F[30°C] or above and below 90°F[32°C] Medium          Zone E: High       </p>	<p>TCJ: Indoor heat exchanger sensor temperature</p> <ul style="list-style-type: none"> <li>In zones D and E, priority is given to the remote controller fan speed setting.</li> <li>In zone A, "HEATING STANDBY" is displayed.</li> </ul>															
7	Freeze prevention control (low temp. release)	<p>1. During cooling, the air conditioner is operated in the manner described below according to the temperature readings of the TC1, TC2 and TCJ sensors.</p> <ul style="list-style-type: none"> <li>If zone J operation is detected for 5 minutes, the air conditioner is forced into thermostat OFF.</li> <li>In zone K, the timer is put on pause, with the current timer count retained.</li> <li>If zone I operation is detected, the timer count is cleared, and the air conditioner returns to normal operation.</li> <li>If continuous zone J operation forces the air conditioner into thermostat OFF, the indoor fan is operated in breeze mode until it moves into zone I. The control is terminated under the following conditions:</li> </ul> <p>Termination conditions</p> <ol style="list-style-type: none"> <li>TC1 ≥ 54°F[12°C], TC2 ≥ 54°F[12°C], and TCJ ≥ 54°F[12°C]</li> <li>Passage of 20 minutes after stoppage</li> </ol> <table border="1" data-bbox="770 1205 1337 1317"> <thead> <tr> <th></th> <th>TC1</th> <th>TC2, TCJ</th> </tr> </thead> <tbody> <tr> <td>P1</td> <td>50°F [41°F] 10°C [5°C]</td> <td>14°F [-10°C]</td> </tr> <tr> <td>Q1</td> <td>32°F [0°C]</td> <td>7°F [-14°C]</td> </tr> </tbody> </table> <p style="text-align: center;">Temperature in ( ): If the temperature is below this value when the power is turned on, the air conditioner is forced into thermostat OFF.</p> <p>2. During cooling, the air conditioner is operated in the manner described below according to the temperature readings of the TC2 and TCJ sensors.</p> <ul style="list-style-type: none"> <li>If zone M operation is detected for 45 minutes, the air conditioner is forced into thermostat OFF.</li> <li>In zone N, the timer is put on pause, with the current timer count retained.</li> <li>When the air conditioner goes back into zone M, timer count is resumed from the retained value.</li> <li>If zone L operation is detected, the timer count is cleared, and the air conditioner returns to normal operation.</li> </ul> <table border="1" data-bbox="770 1720 995 1832"> <thead> <tr> <th></th> <th>TC2, TCJ</th> </tr> </thead> <tbody> <tr> <td>P2</td> <td>41°F [5°C]</td> </tr> <tr> <td>Q2</td> <td>28°F [-2.0°C]</td> </tr> </tbody> </table> <p>Reset conditions</p> <ol style="list-style-type: none"> <li>TC1 ≥ 54°F [12°C], TC2 ≥ 54°F [12°C] and TCJ ≥ 54°F [12°C]</li> <li>Passage of 20 minutes after stoppage</li> </ol>		TC1	TC2, TCJ	P1	50°F [41°F] 10°C [5°C]	14°F [-10°C]	Q1	32°F [0°C]	7°F [-14°C]		TC2, TCJ	P2	41°F [5°C]	Q2	28°F [-2.0°C]	<p>TC1: Indoor heat exchanger sensor temperature</p> <p>* With models without TC2, TC2 is not part of the control parameters.</p>
	TC1	TC2, TCJ																
P1	50°F [41°F] 10°C [5°C]	14°F [-10°C]																
Q1	32°F [0°C]	7°F [-14°C]																
	TC2, TCJ																	
P2	41°F [5°C]																	
Q2	28°F [-2.0°C]																	

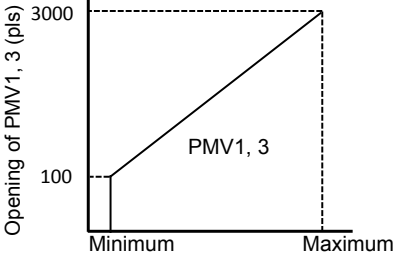
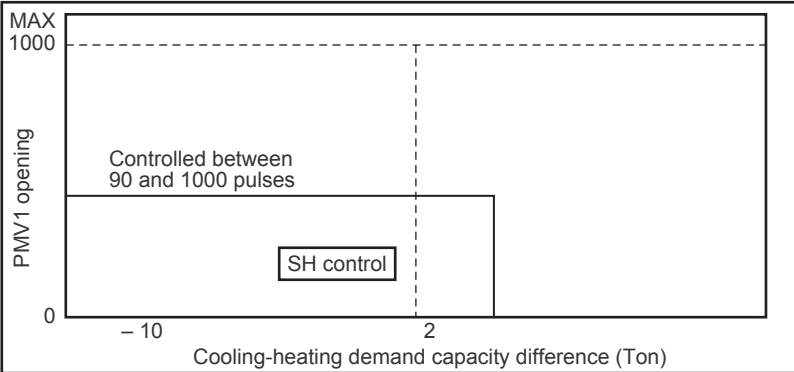
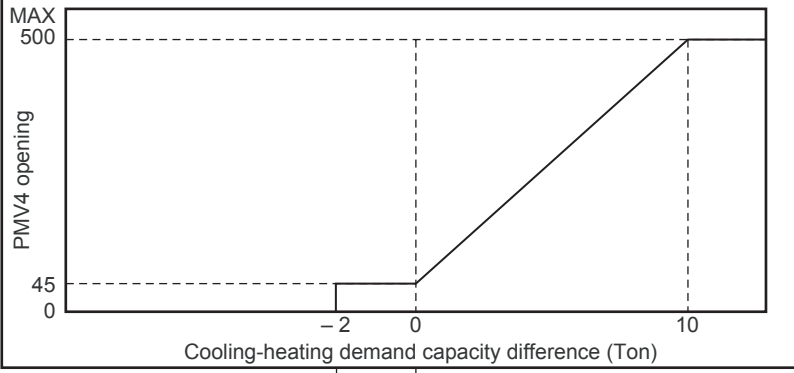
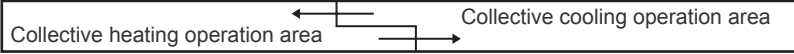
NO.	Item	Specification outline	Remarks
8	Cooling oil (refrigerant) recovery control	<p>While the outdoor unit is recovering cooling oil (refrigerant), the indoor units perform the following control tasks:</p> <p>[common for operational (cooling thermostat ON / thermostat OFF / FAN), as well as nonoperational indoor units]</p> <ol style="list-style-type: none"> <li>1) Open the indoor PMV to a certain degree.</li> <li>2) Engage in recovery control for a specified period of time and return to normal cooling operation at the end of this period upon terminating the control.</li> <li>3) Operate the drain pump throughout the recovery control period and for about 1 minute after it.</li> </ol>	<ul style="list-style-type: none"> <li>• Recovery operation normally takes place roughly every 2 hours.</li> <li>• The opening position of the indoor PMV depending on the type and capacity of the indoor unit.</li> </ul>
9	Heating refrigerant (oil) recovery control	<p>While the outdoor unit is recovering heating refrigerant (oil), the indoor units perform the following control tasks:</p> <ol style="list-style-type: none"> <li>1) Open the indoor PMV to a certain degree.</li> <li>2) Control the indoor fan according to the operation mode.</li> </ol> <p>[Indoor units operating in heating thermostat ON/OFF state] Let the indoor fan continue operating, but turn it off if the temperature of the indoor heat exchanger drops.</p> <p>[Indoor units operating in FAN mode] Turn off the indoor fan and display “HEATING STANDBY  ” on the remote controller.</p> <p>[Non-operational indoor units] Keep the indoor fan turned off.</p> <ol style="list-style-type: none"> <li>3) Terminate the recovery operation depending on the TC2 temperature reading. The timing of termination is determined by each indoor unit.</li> <li>4) Operate the indoor fan and drain pump for about 1 minute after the termination of the recovery operation. (Applicable to 4-way cassette type)</li> </ol>	<ul style="list-style-type: none"> <li>• Recovery operation normally takes place roughly every hour.</li> <li>• The opening position of the indoor PMV depending on the type and capacity of the indoor unit.</li> </ul>
10	Defrosting control	<p>While the outdoor unit is engaged in defrosting control, the indoor units perform the following control tasks:</p> <ol style="list-style-type: none"> <li>1) Open the indoor PMV to a certain degree.</li> <li>2) Control the indoor fan according to the operation mode.</li> </ol> <p>[Indoor units operating in heating thermostat ON/OFF state] Let the indoor fan continue operating for a while, but turn it off as the temperature of the indoor heat exchanger drops.</p> <p>[Indoor units operating in FAN mode] Let the indoor fan continue operating.</p> <p>[Non-operational indoor units] Keep the indoor fan turned off.</p> <ol style="list-style-type: none"> <li>3) As defrosting control comes to an end, it gives way to heating refrigerant (oil) recovery control. (For control details, see “9. Heating refrigerant (oil) recovery control” above.)</li> </ol>	<ul style="list-style-type: none"> <li>• For defrosting commencement conditions, see item of outdoor unit, “7. Defrosting control (reverse defrosting method)” above.</li> <li>• The opening position of the indoor PMV depending on the type and capacity</li> </ul>
11	Short intermittent operation compensation control	<ol style="list-style-type: none"> <li>1. For 5 minutes after startup, the system is forced to continue operating even if it reaches the thermostat OFF region.</li> <li>2. However, priority is given to cooling/heating selection, operation standby, and protective control, so that there is no overriding of thermostat OFF in these cases.</li> </ol>	
12	Drain pump control	<ol style="list-style-type: none"> <li>1. During cooling (including DRY operation), the drain pump is operated at all times.</li> <li>2. If the float switch is activated while the drain pump is in operation, the drain pump continues operating, with the relevant check code displayed.</li> <li>3. If the float switch is activated while the drain pump is turned off, thermostat OFF is forced on the air conditioner, with the drain pump put into operation. If the float switch continues to be activated for about 5 minutes, the drain pump is turned off, with the relevant check code displayed.</li> </ol>	Check code [P10]
13	Elimination of residual heat	<ol style="list-style-type: none"> <li>1. When the air conditioner is turned off after engaging in heating operation, the indoor fan is operated for about 30 seconds in “breeze” mode.</li> </ol>	

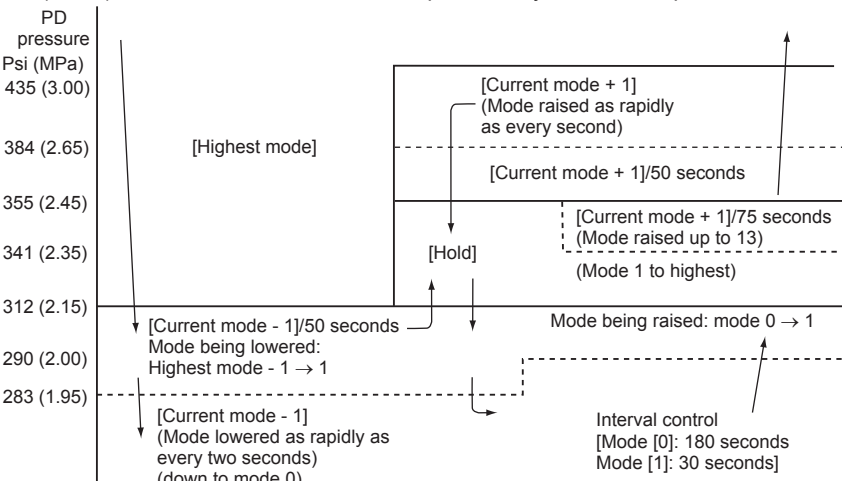
NO.	Item	Specification outline	Remarks																																																		
14	Filter sign display (not applicable to wireless type) * Provided in the separately mounted type, TCB-AX21UL.	1. The indoor fan's cumulative hours of operation are counted, and when these exceed the prescribed value (150H/2500H), a filter replacement signal is sent to the remote controller to display a filter sign on it. 2. When a filter reset signal is received from the remote controller, the timer measuring cumulative hours is cleared. If the prescribed hours have been exceeded, the hours count is reset, with the sign on the remote controller display erased. <table border="1" data-bbox="395 387 1201 613"> <thead> <tr> <th data-bbox="395 387 580 416">Filter service life</th> <th data-bbox="580 387 922 416">2500H</th> <th data-bbox="922 387 1201 416">150H</th> </tr> </thead> <tbody> <tr> <td data-bbox="395 416 580 613">Type</td> <td data-bbox="580 416 922 613">               4-way cassette type                Medium Static Ducted type                Concealed duct high static pressure type                Slim duct type             </td> <td data-bbox="922 416 1201 613">               High wall type                Floor Console exposed type                Floor Console Recessed type             </td> </tr> </tbody> </table>	Filter service life	2500H	150H	Type	4-way cassette type Medium Static Ducted type Concealed duct high static pressure type Slim duct type	High wall type Floor Console exposed type Floor Console Recessed type	"FILTER  " displayed																																												
Filter service life	2500H	150H																																																			
Type	4-way cassette type Medium Static Ducted type Concealed duct high static pressure type Slim duct type	High wall type Floor Console exposed type Floor Console Recessed type																																																			
15	Operation standby Heating standby	<p>&lt;Operation standby&gt; ..... Displayed on remote controller</p> <ol style="list-style-type: none"> <li>When any of the DN codes listed below is displayed             <ul style="list-style-type: none"> <li>"P05" - Detection of an open phase in the power supply wiring</li> <li>"P10" - Detection of indoor flooding in at least one indoor unit</li> <li>"L30" - Detection of an interlock alarm in at least one indoor unit</li> </ul> </li> <li>All indoor units not able to engage in any of the above operations stand by in thermostat OFF state.</li> <li>The indoor fan has been turned off because the system is engaged in a heat refrigerant (oil) recovery operation.</li> </ol> <p>&lt;Heating standby&gt; ..... Displayed on remote controller</p> <ol style="list-style-type: none"> <li>Normal thermostat OFF             <ul style="list-style-type: none"> <li>During heating, the indoor unit goes thermostat OFF as the heating temperature setting is reached.</li> </ul> </li> <li>During heating, the fan rotates at a breeze speed (UL or lower) or remains stationary to prevent cold air from being discharged (including defrosting operation).</li> <li>Forced thermostat OFF             <ul style="list-style-type: none"> <li>"HEAT" operation is unavailable because at least one indoor unit is operating in "COOL/DRY" mode under priority cooling setting (bit 1 of SW11 on outdoor I/F P.C. board ON).</li> </ul> </li> </ol>	<ul style="list-style-type: none"> <li>"OPERATION STANDBY  " displayed</li> <li>No display provided on wireless remote controller</li> <li>"HEATING STANDBY  " displayed</li> </ul>																																																		
16	Selection of central control mode	<ol style="list-style-type: none"> <li>The range of operations that can be performed via an indoor unit remote controller can be determined through the setting of the central controller.</li> <li>Setting details</li> </ol> <p>TCC-Link central control</p> <table border="1" data-bbox="395 1384 1201 1626"> <thead> <tr> <th data-bbox="395 1384 512 1480" rowspan="2">Operation via TCC-Link central control</th> <th colspan="6" data-bbox="512 1384 1082 1413">Operation via RBC-AMT32UL</th> <th data-bbox="1082 1384 1201 1480" rowspan="2">RBC-AMT32UL display</th> </tr> <tr> <th data-bbox="512 1413 603 1480">Start/stop selection</th> <th data-bbox="603 1413 694 1480">Operation mode selection</th> <th data-bbox="694 1413 785 1480">Timer setting</th> <th data-bbox="785 1413 876 1480">Temperature setting</th> <th data-bbox="876 1413 967 1480">Fan speed setting</th> <th data-bbox="967 1413 1082 1480">Air flow direction setting</th> </tr> </thead> <tbody> <tr> <td data-bbox="395 1480 512 1509">Individual</td> <td data-bbox="512 1480 603 1509">○</td> <td data-bbox="603 1480 694 1509">○</td> <td data-bbox="694 1480 785 1509">○</td> <td data-bbox="785 1480 876 1509">○</td> <td data-bbox="876 1480 967 1509">○</td> <td data-bbox="967 1480 1082 1509">○</td> <td data-bbox="1082 1480 1201 1626" rowspan="5">"CENTRAL CONTROL IN PROGRESS" </td> </tr> <tr> <td data-bbox="395 1509 512 1538">Central 1</td> <td data-bbox="512 1509 603 1538">×</td> <td data-bbox="603 1509 694 1538">○</td> <td data-bbox="694 1509 785 1538">×</td> <td data-bbox="785 1509 876 1538">○</td> <td data-bbox="876 1509 967 1538">○</td> <td data-bbox="967 1509 1082 1538">○</td> </tr> <tr> <td data-bbox="395 1538 512 1568">Central 2</td> <td data-bbox="512 1538 603 1568">×</td> <td data-bbox="603 1538 694 1568">×</td> <td data-bbox="694 1538 785 1568">×</td> <td data-bbox="785 1538 876 1568">×</td> <td data-bbox="876 1538 967 1568">○</td> <td data-bbox="967 1538 1082 1568">○</td> </tr> <tr> <td data-bbox="395 1568 512 1597">Central 3</td> <td data-bbox="512 1568 603 1597">○</td> <td data-bbox="603 1568 694 1597">×</td> <td data-bbox="694 1568 785 1597">○</td> <td data-bbox="785 1568 876 1597">×</td> <td data-bbox="876 1568 967 1597">○</td> <td data-bbox="967 1568 1082 1597">○</td> </tr> <tr> <td data-bbox="395 1597 512 1626">Central 4</td> <td data-bbox="512 1597 603 1626">○</td> <td data-bbox="603 1597 694 1626">×</td> <td data-bbox="694 1597 785 1626">○</td> <td data-bbox="785 1597 876 1626">○</td> <td data-bbox="876 1597 967 1626">○</td> <td data-bbox="967 1597 1082 1626">○</td> </tr> </tbody> </table> <p>(○: Accessible ×: Inaccessible)</p>	Operation via TCC-Link central control	Operation via RBC-AMT32UL						RBC-AMT32UL display	Start/stop selection	Operation mode selection	Timer setting	Temperature setting	Fan speed setting	Air flow direction setting	Individual	○	○	○	○	○	○	"CENTRAL CONTROL IN PROGRESS" 	Central 1	×	○	×	○	○	○	Central 2	×	×	×	×	○	○	Central 3	○	×	○	×	○	○	Central 4	○	×	○	○	○	○	<ul style="list-style-type: none"> <li>In the case of a wired remote controller, "CENTRAL CONTROL IN PROGRESS  " is displayed (lit up) while in central control mode.</li> <li>The display blinks when a control function inaccessible to a remote controller is chosen.</li> <li>A wireless remote controller has the same set of control functions, although there is no display. When a control operation is performed via a wireless remote controller while in central control mode, a peep sound alert (5 times) is provided.</li> </ul>
Operation via TCC-Link central control	Operation via RBC-AMT32UL						RBC-AMT32UL display																																														
	Start/stop selection	Operation mode selection	Timer setting	Temperature setting	Fan speed setting	Air flow direction setting																																															
Individual	○	○	○	○	○	○	"CENTRAL CONTROL IN PROGRESS" 																																														
Central 1	×	○	×	○	○	○																																															
Central 2	×	×	×	×	○	○																																															
Central 3	○	×	○	×	○	○																																															
Central 4	○	×	○	○	○	○																																															

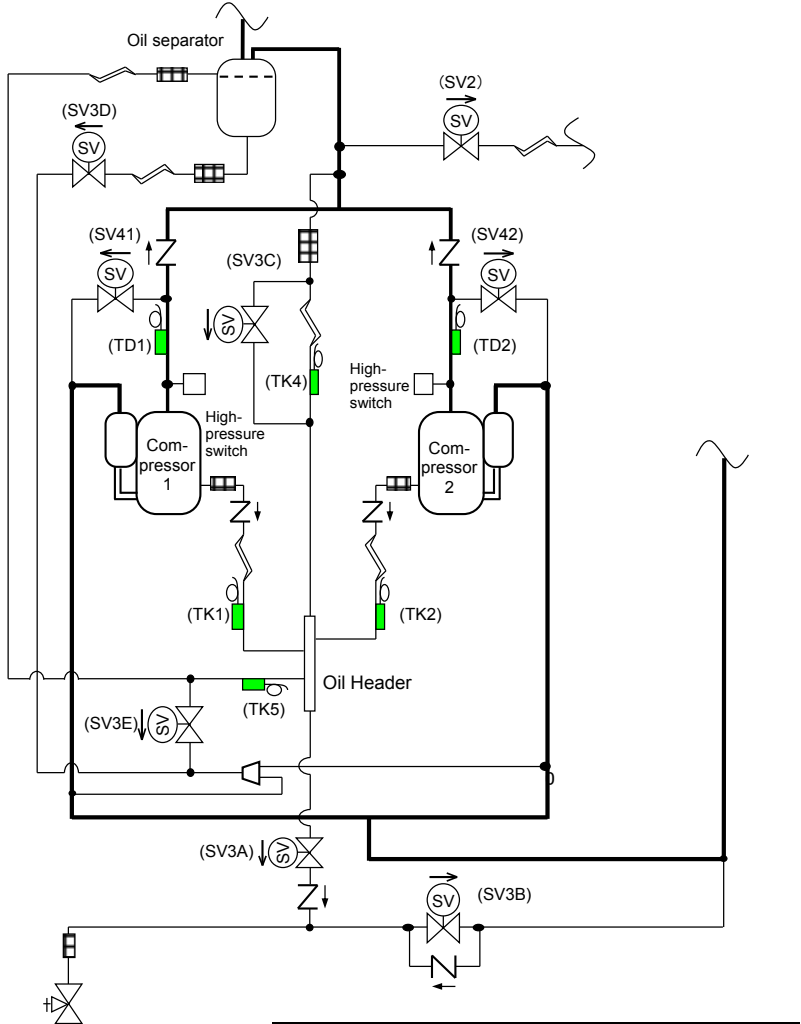


NO.	Item	Specification outline	Remarks															
17	Louver control	<p>1. Louver position setting</p> <ul style="list-style-type: none"> <li>When the louver position is changed, the louver turns all the way down before settling in the set position.</li> <li>Louver position is adjustable in the range shown in the diagrams below.</li> </ul> <p style="text-align: center;">During cooling/drying                      During heating/fan-only operation</p> <div style="display: flex; justify-content: space-around; align-items: center;">   </div> <ul style="list-style-type: none"> <li>During group operation, position setting can be performed individually or collectively.</li> </ul> <p>2. Swing setting</p> <ul style="list-style-type: none"> <li>The "SWING" sign is displayed, along with alternating images as shown below.</li> </ul> <p style="text-align: center;">In all operation modes</p> <div style="display: flex; justify-content: center; align-items: center;">  </div> <ul style="list-style-type: none"> <li>During group operation, swing setting can be performed individually or collectively.</li> </ul> <p>3. Set louver positions</p> <table border="1" style="margin-left: auto; margin-right: auto;"> <thead> <tr> <th></th> <th>4-way</th> <th>Ceiling</th> </tr> </thead> <tbody> <tr> <td>Normal stop</td> <td>Downward</td> <td>Horizontal</td> </tr> <tr> <td>Abnormal stop</td> <td>Downward</td> <td>Horizontal</td> </tr> <tr> <td>Heating standby</td> <td>Upward</td> <td>Horizontal</td> </tr> <tr> <td>Oil/refrigerant recovery</td> <td>Upward</td> <td>Horizontal</td> </tr> </tbody> </table>		4-way	Ceiling	Normal stop	Downward	Horizontal	Abnormal stop	Downward	Horizontal	Heating standby	Upward	Horizontal	Oil/refrigerant recovery	Upward	Horizontal	
	4-way	Ceiling																
Normal stop	Downward	Horizontal																
Abnormal stop	Downward	Horizontal																
Heating standby	Upward	Horizontal																
Oil/refrigerant recovery	Upward	Horizontal																
18	DC motor	<p>1. When the fan is turned on, the positions of the stator and rotor are determined. (The motor turns in incremental steps.)</p> <p>2. The fan operates in accordance with commands issued by the indoor controller.</p> <p><b>Note:</b> If the fan is rotating while the air conditioner is turned off due to an inflow of outside air or some other reason, the indoor unit may operate without turning on the fan motor.</p> <p><b>Note:</b> If fan motor lock is detected, the indoor unit is turned off, with a check code display provided.</p>	Check code "P12"															

## 6-2. Outdoor Unit

Item	Description of operation, numerical data, and other information	Remarks
1. Pulse motor valve (PMV) control	<p>1. PMV1, 3 control (PMV1, 3)</p> <p>1) During air conditioner operation, the pulse count of a PMV1 (pulse motor valve 1) is controlled between 100pls and 3000pls. During air conditioner operation.</p> <p>2) During cooling, the PMV opening is controlled on the basis of measurements provided by the TL temperature sensor and the PD pressure sensor (subcool control). (PMV1 close, PMV3 control)</p> <p>3) During heating, the PMV opening is controlled on the basis of measurements provided by the TS, TD and TG temperature sensors and the PS pressure sensor (super heat control). (PMV1 control, PMV3 close)</p> <p>4) PMV are fully closed when the air conditioner is in thermostat OFF state or upon being turned off normally or shut down due to an abnormality.</p>  <p>2. PMV4 control</p> <p>1) PMV4 (Pulse Motor Valve) is controlled between 0 and 500 pulses at collective cooling / heating operation.</p> <p>2) PMV4 opening is controlled according to the demand capacity difference (Ton) between cooling and heating operation.</p> <p>3) PMV are fully closed when the air conditioner is in thermostat OFF state or upon being turned off normally or shut down due to an abnormality.</p>   	

Item	Description of operation, numerical data, and other information	Remarks														
<p>2. Outdoor fan control</p>	<p>1. Cooling fan control</p> <p>1) Outdoor fan speed (mode) is controlled on the basis of measurements provided by the PD pressure sensor.</p> <p>2) For a specified period after the start of cooling operation, the header outdoor unit controls outdoor fan speed (mode) on the basis of measurements provided by the PD pressure sensor. Follower units, on the other hand, control outdoor fan speed (mode) on the basis of measurements provided by the TE1 temperature sensor.</p>  <p>* Available control modes are 0 (at rest) to 63.</p> <p>2. Heating fan control</p> <p>1) Outdoor fan speed (mode) is controlled on the basis of measurements provided by the TE1 or TE2 temperature sensor.</p> <p>2) If TE1 or TE2 &gt; 77°F [25°C] is continuously detected for 8 minutes, the fan may be turned off. However, this condition is the same as normal thermostat OFF, so that fan operation will be restarted.</p> <p>3) For a specified period after air conditioner startup and during defrosting, this control is disabled.</p> <p>4) When refrigerant is in extremely short supply, this control may cause the air conditioner to be repeatedly turned on and off.</p> <table border="1" data-bbox="364 1348 1215 1649"> <thead> <tr> <th>TE1 temperature °F (°C)</th> <th>Control Action</th> </tr> </thead> <tbody> <tr> <td>77(25)</td> <td>Zone A: Lowest mode, timer count for forced compressor shutdown</td> </tr> <tr> <td>46.4(8)</td> <td>Zone B: -2/30 seconds (down to lowest mode)</td> </tr> <tr> <td>42.8(6)</td> <td>Zone C: -1/30 seconds (down to lowest mode)</td> </tr> <tr> <td>39.2(4)</td> <td>Zone D: Hold (staying at current mode)</td> </tr> <tr> <td>35.6(2)</td> <td>Zone E: +1/30 seconds (up to highest mode)</td> </tr> <tr> <td></td> <td>Zone F: Highest mode</td> </tr> </tbody> </table> <p>3. Control while follower unit at rest</p> <p>The fan is operated at mode 1 to prevent the accumulation of refrigerant inside the outdoor heat exchanger.</p>	TE1 temperature °F (°C)	Control Action	77(25)	Zone A: Lowest mode, timer count for forced compressor shutdown	46.4(8)	Zone B: -2/30 seconds (down to lowest mode)	42.8(6)	Zone C: -1/30 seconds (down to lowest mode)	39.2(4)	Zone D: Hold (staying at current mode)	35.6(2)	Zone E: +1/30 seconds (up to highest mode)		Zone F: Highest mode	<p>• The fan speed corresponding to the highest mode varies with the capacity of the outdoor unit.</p> <p>• The fan speed corresponding to the highest mode varies with the capacity of the outdoor unit.</p>
TE1 temperature °F (°C)	Control Action															
77(25)	Zone A: Lowest mode, timer count for forced compressor shutdown															
46.4(8)	Zone B: -2/30 seconds (down to lowest mode)															
42.8(6)	Zone C: -1/30 seconds (down to lowest mode)															
39.2(4)	Zone D: Hold (staying at current mode)															
35.6(2)	Zone E: +1/30 seconds (up to highest mode)															
	Zone F: Highest mode															
<p>3. Capacity control</p>	<p>1) The compressors of the header and follower units are controlled on the basis of capacity demand issued by indoor controllers.</p> <p>2) The two compressors featured in an outdoor unit operate on a rotational basis, so that, every time they come to a stop, their order of startup changes.</p> <p>3) Where two follower units are connected, every time the system goes thermostat OFF or all the compressors featured in the follower units come to a stop, the priority startup order of the follower units changes, as they are also subject to rotational operation.</p>															

Item	Description of operation, numerical data, and other information	Remarks																					
4. Oil level detection control	<p>1) Judgment as to whether an optimum amount of oil is present in the compressor cases is made on the basis of the temperature readings of sensors TK1 to TK5. This control function is performed by the header unit and each follower unit individually.</p> <p>2) In concrete terms, judgment is based on the relationship between the temperature measurements provided by TK1, TK2, on the one hand, and those provided by TK4 or TK5, on the other. If there is depletion, oil equalization control takes over.</p> <p>3) This control function is performed whenever at least one compressor is in operation.</p>  <table border="1" data-bbox="663 1601 1194 1745"> <thead> <tr> <th colspan="7">Symbol</th> </tr> </thead> <tbody> <tr> <td></td> <td></td> <td></td> <td></td> <td></td> <td></td> <td></td> </tr> <tr> <td>Solenoid valve</td> <td>Capillary tube</td> <td>Check valve</td> <td>Check joint</td> <td>Strainer</td> <td>Temperature sensor</td> <td>Distributor</td> </tr> </tbody> </table>	Symbol														Solenoid valve	Capillary tube	Check valve	Check joint	Strainer	Temperature sensor	Distributor	<ul style="list-style-type: none"> <li>Oil level detection takes place regardless of the number of compressors, whether one or two.</li> <li>Rough guide for oil level judgment             <ol style="list-style-type: none"> <li>If <math>TK1 - TK4 \geq 57.2 \text{ }^\circ\text{F}</math> (<math>14^\circ\text{C}</math>), oil level of compressor 1 is optimum.</li> <li>If <math>TK2 - TK4 \geq 57.2 \text{ }^\circ\text{F}</math> (<math>14^\circ\text{C}</math>), oil level of compressor 2 is optimum.</li> </ol> </li> </ul>
Symbol																							
Solenoid valve	Capillary tube	Check valve	Check joint	Strainer	Temperature sensor	Distributor																	

Item	Description of operation, numerical data, and other information	Remarks
5. Oil equation control	<p>This control function is aimed at preventing compressors from running out of oil by evening out the oil supply to outdoor units, and is basically performed by opening/closing solenoid valves SV3A, SV3B, SV3C, SV3D. There are three control patterns as described below. (For a schematic diagram of oil equalization control, see page 57.)</p> <p>1. Preparatory control If the oil level judgment result in the memory continues to be "low" for 30 seconds, SV3B is turned on, with SV3D turned on and off intermittently.</p> <p>2. Oil equation control This control function is performed to transfer oil to the outdoor unit whose oil level is low from other outdoor units. It takes place whenever the header unit registers a low oil level result while at least one of its compressors is turned on or at least one of the follower units issues an oil level equation request. This control function does not apply to a header unit-only system (no follower units connected).</p> <p>3. Oil depletion protection control This control function is performed if oil equation control fails to achieve an optimum oil level. In concrete terms, if a low oil level situation continues for 30 minutes, the unit is brought to a protective shutdown, followed by a restart 2 minutes and 30 seconds later. If protective shutdown is repeated three times, the trouble is confirmed as final.(There will be no more restarts.) The check code is "H07".</p>	<ul style="list-style-type: none"> <li>• Oil accumulated in the oil separator is returned to the compressor.</li> <li>• This is normal oil equalization control.</li> <li>• This protective control is performed when a prolonged low oil level is detected.</li> </ul>
6. Refrigerant/oil recovery control	<p>1. Cooling oil (refrigerant) recovery control Performed during cooling, this control function aims to: periodically collect any refrigerating oil condensate that has built up in inter-unit gas pipes and indoor units and return it to outdoor units when the compressor operation command is inadequate; and prevent the accumulation of refrigerant in outdoor heat exchangers while cooling operation is in progress under low outside air temperature conditions. It is managed by the header outdoor unit.</p> <p>1)Control commencement conditions</p> <ul style="list-style-type: none"> <li>• When cooling operation has continued for at least 2 hours</li> <li>• When cooling operation has started (compressors have just been turned on, though this does not always happen depending on outside air temperature conditions).</li> </ul> <p>2)Control details</p> <ul style="list-style-type: none"> <li>• All compressors currently in operation are operated at the minimum speed, with those currently not in operation turned on.</li> <li>• Indoor units are set to the cooling oil (refrigerant) recovery control mode, with their indoor PMVs opened to a certain degree.</li> <li>• Compressors are operated at the target speed.</li> <li>• After recovery control is performed for a specified period of time, it is terminated, and normal cooling operation resumes.</li> </ul> <p>2. Heating refrigerant (oil) recovery control Performed during heating, this control function aims to recover any liquid refrigerant trapped inside indoor units that have been turned off. It also serves the additional purposes of recovering indoor/outdoor refrigerant after defrosting and recovering oil present in outdoor heat exchangers during heating overload operation. This control function is managed by the header outdoor unit.</p> <p>1)Control commencement conditions</p> <ul style="list-style-type: none"> <li>• When heating operation has started (compressors have just been turned on)</li> <li>• When heating takes over upon completion of defrosting</li> <li>• When heating operation has continued for 60 minutes</li> </ul> <p>2)Control details</p> <ul style="list-style-type: none"> <li>• All compressors currently in operation are operated at the minimum speed, with those currently not in operation turned on.</li> <li>• Indoor units are set to the heating refrigerant (oil) recovery control mode, with their indoor PMVs opened to a certain degree.</li> <li>• Compressors are operated at the target speed.</li> <li>• Upon completion of refrigerant recovery for all the indoor units, normal cooling operation resumes.</li> </ul>	<ul style="list-style-type: none"> <li>• Cooling oil recovery control takes place approximately every 2 hours.</li> <li>• Control duration is about 2 to 5 minutes, though it varies according to the operating conditions of the system.</li> <li>• Heating oil recovery control takes place approximately every hour.</li> <li>• Control duration is about 2 to 10 minutes, though it varies according to loading conditions.</li> <li>• Compressor rotational speed varies with control conditions, indoor unit capacity, and outdoor unit specification.</li> </ul>

Item	Description of operation, numerical data, and other information	Remarks
7. Defrosting control (reverse defrosting method)	<p>1. Defrosting commencement conditions</p> <ul style="list-style-type: none"> <li>• During heating operation, the cumulative duration of operation in which TE1 and TE2 sensor temperature falls below frost formation temperature is measured, and when this reaches 55 minutes, defrosting control is introduced. (Just after startup or upon changeover from cooling to heating, the target cumulative duration is 25 minutes.)</li> <li>* If the outdoor units are a combination of different models, all the units begin engaging in defrosting control as soon as one of them satisfies defrosting commencement conditions.</li> </ul> <p>2. Details of defrosting control</p> <ol style="list-style-type: none"> <li>1) All compressors currently in operation are operated at the minimum speed.</li> <li>2) When a specified amount of time passes from the time the compressors reached the minimum speed, the outdoor fans are turned off by closing the 4-way valves. And the PMV4 opening operated at the target opening for defrosting control.</li> <li>3) All compressors currently not in operation are turned on and operated at the target rotational speed for defrosting control.</li> </ol> <p>3. Defrosting termination conditions</p> <ul style="list-style-type: none"> <li>• Defrosting termination conditions are met when the TE1 and TE2 temperature sensor measurement reaches a specified value (roughly 53 °F (12°C)) a certain period of time after the commencement of defrosting control. In that event, defrosting termination control takes over.</li> <li>* If the outdoor units are a combination of different models, defrosting termination control commences when all the units satisfy the defrosting termination conditions. As long as one or more outdoor units are yet to satisfy the defrosting termination conditions, those that have engage in standby operation.</li> </ul> <p>4. Details of defrosting termination control</p> <ol style="list-style-type: none"> <li>1) Compressors are operated at the standby operation speed.</li> <li>2) When a specified amount of time passes, the 4-way valves are opened.</li> <li>3) Indoor heating refrigerant recovery control is performed.</li> </ol> <p>For control details, see " 7. Refrigerant/oil recovery control".</p>	<ul style="list-style-type: none"> <li>• Frost formation temperature is 29.3 °F (-1.5°C).</li> <li>• If the outdoor units are a combination of different models, defrosting operation, once started, cannot be manually terminated for about 2 minutes.</li> <li>• To protect the refrigerating cycle circuit, the fan mode may be controlled during defrosting.</li> <li>• During defrosting control, compressors are controlled so that their speeds do not exceed 76.6 rps.</li> <li>• During standby operation, compressor speed is in the 24-33.5 rps range. (It varies from outdoor unit to outdoor unit.)</li> </ul>

Item	Description of operation, numerical data, and other information	Remarks																																							
8. Release valve control	<p>1. SV2 gas balance control  This control function is aimed at achieving gas balance by opening SV2 while compressors are turned off so as to reduce their startup load the next time they are turned on. It is individually performed by the header outdoor unit and each follower outdoor unit.</p> <p>1) Control conditions</p> <ul style="list-style-type: none"> <li>In cooling, compressors have been turned off.</li> <li>In heating, the header unit has been shut down.</li> </ul> <p>2) Control details</p> <ul style="list-style-type: none"> <li>The control point is changed according to <math>\Delta P</math> (PD pressure - PS pressure) registered just before the compressors were turned off.</li> <li>When <math>\Delta P \geq P1</math>, SV2 is opened. When this results in <math>\Delta P &lt; P2</math>, SV2 is closed.</li> <li>When <math>\Delta P &lt; P1</math>, SV2 is closed.</li> </ul> <p style="text-align: right;">(Unit: psi (MPa))</p> <table border="1" data-bbox="383 700 1196 907"> <thead> <tr> <th rowspan="4">Control points for PD pressure P1, P2</th> <th colspan="2">Heating</th> <th colspan="4">Cooling</th> </tr> <tr> <th colspan="2">Header unit compressors</th> <th colspan="2">Header unit compressors</th> <th colspan="2">Header unit compressors</th> </tr> <tr> <th colspan="2">OFF</th> <th colspan="2">OFF</th> <th colspan="2">ON</th> </tr> <tr> <th>P1</th> <th>P2</th> <th>P1</th> <th>P2</th> <th>P1</th> <th>P2</th> </tr> </thead> <tbody> <tr> <td>Header unit</td> <td>188.5 (1.3)</td> <td>159.5 (1.1)</td> <td>188.5 (1.3)</td> <td>159.5 (1.1)</td> <td>—</td> <td>—</td> </tr> <tr> <td>Follower unit</td> <td>188.5 (1.3)</td> <td>159.5 (1.1)</td> <td>188.5 (1.3)</td> <td>159.5 (1.1)</td> <td>72.5 (0.5)</td> <td>58.0 (0.4)</td> </tr> </tbody> </table> <p>2. SV2 high pressure release control  This control function is aimed at mitigating pressure rise while a compressor is in operation at low speeds.</p> <p>1) Control conditions</p> <ul style="list-style-type: none"> <li>Heating operation is in progress (except periods of defrosting control).</li> <li>A lone compressor from the header unit is in operation at low speeds of up to 76 rps.</li> </ul> <p>2) Control details</p> <ul style="list-style-type: none"> <li>When PD pressure becomes <math>\geq 493</math>psi (3.4 MPa), SV2 is opened.</li> <li>When PD pressure becomes <math>\leq 406</math>psi (2.8 MPa), SV2 is closed.</li> </ul> <p>3) Termination conditions</p> <ul style="list-style-type: none"> <li>Shutdown, thermostat OFF, defrosting operation, or cooling operation.</li> <li>The number of header unit compressors in operation increases to two .</li> <li>At least one follower unit compressor is turned on.</li> <li>The speed of the compressor rises to 82 rps or more.</li> </ul> <p>3. SV2 low pressure release control  This control function is aimed at preventing a rapid fall in pressure during transient operation. It is individually performed by the header outdoor unit and each follower outdoor unit.  The control is always provided except during periods of stoppage or thermostat OFF.</p> <p>1) Control details</p> <ul style="list-style-type: none"> <li>When PS pressure becomes <math>\leq 20.0</math>psi (0.14 MPa), SV2 is opened.</li> <li>When PS pressure becomes <math>&gt; 26.1</math>psi (0.18 MPa), SV2 is closed.</li> </ul>	Control points for PD pressure P1, P2	Heating		Cooling				Header unit compressors		Header unit compressors		Header unit compressors		OFF		OFF		ON		P1	P2	P1	P2	P1	P2	Header unit	188.5 (1.3)	159.5 (1.1)	188.5 (1.3)	159.5 (1.1)	—	—	Follower unit	188.5 (1.3)	159.5 (1.1)	188.5 (1.3)	159.5 (1.1)	72.5 (0.5)	58.0 (0.4)	
Control points for PD pressure P1, P2	Heating		Cooling																																						
	Header unit compressors		Header unit compressors		Header unit compressors																																				
	OFF		OFF		ON																																				
	P1	P2	P1	P2	P1	P2																																			
Header unit	188.5 (1.3)	159.5 (1.1)	188.5 (1.3)	159.5 (1.1)	—	—																																			
Follower unit	188.5 (1.3)	159.5 (1.1)	188.5 (1.3)	159.5 (1.1)	72.5 (0.5)	58.0 (0.4)																																			



Item	Description of operation, numerical data, and other information	Remarks
8. Release valve control (cont'd)	<p>4. SV41, 42 low pressure release control This control function is aimed at providing low pressure protection, and is individually performed by the header unit and each follower unit. The control takes place during defrost operation, heating startup pattern control operation, and cooling operation.</p> <p>1) Control details (heating) When PS pressure becomes <math>\leq 13.1</math>psi (0.09 MPa), SV41, 42 are opened; when PS pressure becomes <math>\geq 17.4</math>psi (0.12 MPa), SV41, 42 are closed.</p> <p>2) Control details (cooling) When PS pressure and PD pressure become <math>\leq 20.3</math>psi (0.14 MPa) and <math>\leq 247</math>psi (1.7 MPa), respectively, SV41 and 42 are opened; when PS pressure and PD pressure become <math>\geq 276</math>psi (0.19 MPa) and <math>\geq 31.9</math>psi (0.22 MPa), respectively, SV41 and 42 are closed.</p> <p>5. SV6 valve cooling bypass control This control is provided for controlling liquid refrigerant bypass to control discharge temperature-up or temperature inside of the compressor. It works during single cooling, single heating, collective cooling, collective heating, collective heating and defrost operation.</p> <p>1) Control contents (Single cooling) When TD temperature <math>\geq 203.0</math> °F(95 °C) and compression ratio <math>\geq 3.0</math>, turn SV6 to ON, and when TD temperature <math>\leq 181.4</math> °F(83 °C) or compression ratio <math>\geq 2.0</math>, turn SV6 to OFF.</p> <p>2) Control contents (Other operation) When TD temperature <math>\geq 203.0</math> °F(95 °C) and compression ratio <math>\geq 4.2</math>, turn SV6 to ON, and when TD temperature <math>\leq 181.4</math> °F(83 °C) or compression ratio <math>\geq 3.2</math>, turn SV6 to OFF.</p>	
9. High pressure release compressor shutdown control	<p>This control function is aimed at automatically shutting down a compressor in an outdoor unit depending on PD pressure. It is individually performed by the header unit and each follower unit.</p> <p>1) Control details</p> <ul style="list-style-type: none"> <li>• Compressors are shut down when PD pressure reaches or exceeds P0.</li> <li>• The compressor restart prevention timer (2 minutes 30 seconds) is set, and the control terminated.</li> </ul>	<ul style="list-style-type: none"> <li>• When PD <math>\geq</math> P0 = 500psi (3.45 MPa), compressor No. 2 (the last one of two compressors in terms of startup order in two compressor configuration) is shut down.</li> <li>• When PD <math>\geq</math> P0 = 571psi (3.5 MPa), compressor No. 1 (the first compressor in terms of startup order) is shut down.</li> </ul>
10. Case heater control	<p>There are two types of case heaters: a compressor case heater and an accumulator case heater. This control function is aimed at preventing the accumulation of refrigerant in those cases, and is performed by all outdoor units.</p> <p>If the power supply has not been turned on for a specified period before a post-installation test run, compressor failure may occur. Similarly, when starting compressors after a long period of no power supply, it is recommended that the power supply be turned on for a while before operation is resumed, just like a post-installation test run.</p> <p>This control function is sometimes used alongside an electrical charging of the compressor motor windings. In this case, a charging sound may be heard, but this is normal.</p> <p>1) Control details</p> <ul style="list-style-type: none"> <li>• The heaters are turned on while the compressors are turned off.</li> <li>• The heaters are turned off when T0 sensor temperature becomes <math>\geq 82.4</math> °F(28 °C), and are turned back on when T0 sensor temperature becomes <math>\leq 77.0</math> °F(25 °C).</li> <li>• When the compressors are turned on, the heaters are kept on for 10 minutes.</li> </ul>	

Item	Description of operation, numerical data, and other information	Remarks																		
11. A3-IPDU control	<p>IPDU controls inverter compressors by issuing commands relating to compressor speeds, speed increases/decreases, and current release control values via the interface P.C. board.</p> <p>The main control functions of the IPDU P.C. board are described below.</p> <p>1. Current release control</p> <p>To prevent inverter input current from exceeding the specified value, output frequency is controlled with AC input current as detected by T02 mounted on the control P.C. board.</p> <div data-bbox="512 549 986 724" data-label="Figure"> </div> <p>Zone A: Compressors are operated normally.  Zone D: The current operating frequency is maintained.  Zone B: Operating frequency is lowered.  Zone C: The lowering of operating frequency is halted to maintain the current frequency.</p> <p>Current control values for various outdoor units are shown below.</p> <table border="1" data-bbox="439 905 1086 1136"> <thead> <tr> <th>Outdoor unit capacity type</th> <th>I<sub>1</sub> (A)</th> <th>I<sub>2</sub> (A)</th> </tr> </thead> <tbody> <tr> <td>168</td> <td>28.9</td> <td>28.4</td> </tr> <tr> <td>144</td> <td>22.1</td> <td>21.6</td> </tr> <tr> <td>120</td> <td>20.2</td> <td>19.6</td> </tr> <tr> <td>96</td> <td>14.7</td> <td>14.2</td> </tr> <tr> <td>72</td> <td>9.8</td> <td>9.3</td> </tr> </tbody> </table> <p>2. Heat sink temperature detection control</p> <ol style="list-style-type: none"> <li>1) This control function is aimed at protecting IGBT from overheating via a thermistor (TH sensor) mounted in the compressor drive module (Q201) of A3-IPDU.</li> <li>2) When <math>TH \geq 185\text{ }^{\circ}\text{F}(85\text{ }^{\circ}\text{C})</math> is detected, the fan operation mode is raised by one step, followed by a series of additional step-ups right up to the highest mode at a rate of one step/5 seconds.</li> <li>3) After step 2), the normal fan mode is restored when TH falls to <math>&lt; 176\text{ }^{\circ}\text{F}(80\text{ }^{\circ}\text{C})</math>.</li> <li>4) When <math>TH \geq 230\text{ }^{\circ}\text{F}(110\text{ }^{\circ}\text{C})</math>, compressors are shut down.</li> <li>5) Compressors are restarted 2 minutes and 30 seconds later, with a failure count of 1 recorded. If this is repeated four times (failure count reaches 4), the check code is confirmed as final. The check code [P07] is displayed. (There will be no more restarts.)</li> </ol> <p>* Possible causes of the confirmed failure include a heat buildup in the outdoor unit, fan abnormality, blockage of the cooling duct, and IPDU P.C. board fault.  * The TH temperature used in this control function is the highest registered by A3-IPDU1, A3-IPDU2.</p> <p>3. Overcurrent protection control</p> <ol style="list-style-type: none"> <li>1) When the overcurrent protection circuit on an IPDU P.C. board detects an abnormal current, the compressor is shut down.</li> <li>2) The compressor is restarted 2 minutes and 30 seconds later, with a failure count of 1 recorded. If the compressor successfully operates for at least 10 minutes after a restart, the failure count is cleared.</li> <li>3) If the failure count reaches 8, the check code is confirmed as final.</li> </ol> <p>4. High pressure SW control</p> <ol style="list-style-type: none"> <li>1) When the high pressure SW of an inverter compressor is activated, the compressor is shut down with a failure count of 1 recorded.</li> <li>2) The compressor is restarted 2 minutes 30 seconds later, and, if it successfully operates for at least 10 minutes, the failure count is cleared.</li> <li>3) If the failure count reaches 4, the check code is confirmed as final. The check code "P04" is displayed.</li> </ol>	Outdoor unit capacity type	I <sub>1</sub> (A)	I <sub>2</sub> (A)	168	28.9	28.4	144	22.1	21.6	120	20.2	19.6	96	14.7	14.2	72	9.8	9.3	<p>• A3-IPDU1 and 2 are each provided with a TH sensor.</p> <p>• Connected to A3-IPDU, the high-pressure SW is normally closed.</p>
Outdoor unit capacity type	I <sub>1</sub> (A)	I <sub>2</sub> (A)																		
168	28.9	28.4																		
144	22.1	21.6																		
120	20.2	19.6																		
96	14.7	14.2																		
72	9.8	9.3																		

## <Other points to note>

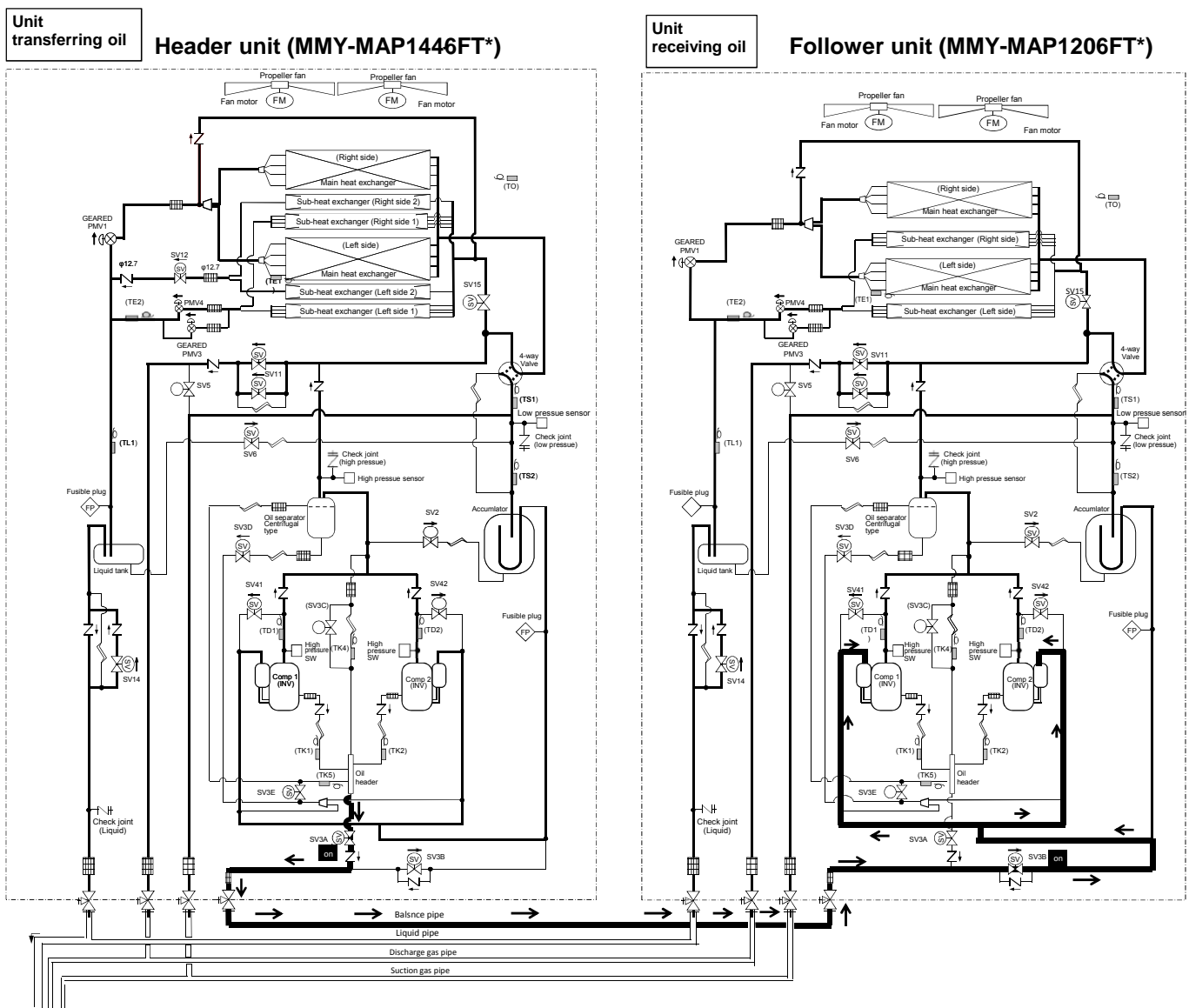
### 1 Cooling operation under low outside temperature conditions

- 1) If pressure falls to extremely low levels, indoor units may be shut down via freeze prevention control based on the indoor TC sensor.
- 2) If pressure falls to extremely low levels, frequency may be reduced via cooling capacity control.
- 3) When the discharge temperature sensor reading falls below 140°F (60°C), the frequency may be increased above the level called for by the command received from the indoor unit.

### 2 PMV (Pulse Motor Valve)

- 1) When the power is turned on, PMVs generate a tapping sound as they are initialized. If this sound is not heard, there is a possibility of faulty PMV operation. However, in a noisy environment, it may simply be drowned out by ambient noise.
- 2) Do not separate the actuator (head section) from any PMV during operation. It may result in an inaccurate opening.
- 3) When transporting (relocating) the set, do not, under any circumstances, keep the actuator separated. It may damage the valve by causing it to close and exposing it to pressure from sealed liquid.
- 4) When reattaching the actuator after its removal, push it in firmly until a click sound is heard. Then, turn the power off and back on again.

## <Schematic diagram for oil equation control>



# 7. Applied control for Outdoor Unit

## 7-1. Applied Control for Outdoor Unit

The outdoor fan high static pressure support and priority operation mode setting (cooling / heating / number of units / or priority indoor unit) functions are available by setting relevant switches provided on the interface P.C. board of the outdoor unit.

### 7-1-1. Outdoor Fan High Static Pressure Shift

#### Purpose/characteristics

This function is used when connecting a duct to the discharge port of an outdoor unit (as part of, for example, unit installation on the floor by floor installation.)

#### Setup

Turn ON the DIP switch [SW10, Bit 2] provided on the interface P.C. board of the outdoor unit.

This function must be enabled with every discharge duct connected outdoor unit for both of the header and follower units.

#### Specification

Increase the speed of the propeller fan units on the outdoor fan to allow the installation of a duct with a maximum external static pressure not greater than specified in the table below. If a discharge duct with a resistance greater than 0.061 In WG (15 Pa) is to be used, enable this function. The maximum external static pressures of single units are shown below (Table 1). In the case of combined use of multiple outdoor units, set all the units to the same maximum external static pressure as the one with the lowest maximum external static pressure (see table2).

Table 1: Maximum External Static Pressures of Single Outdoor Units

Model	MMY-	MAP0726*	MAP0966*	MAP1206*	MAP1446*	MAP1686*
Maximum external static pressure		0.24 InWG (60Pa)	0.16 InWG (40Pa)	0.16 InWG (40Pa)	0.16 InWG (40Pa)	0.16 InWG (40Pa)
(*) Outdoor unit air flow (CFM)		5900	7480	7700	10850	10850

(\*) Calculate duct resistance from outdoor unit air flow.

Table 2: Maximum External Static Pressures for Combined Use of Single Units

#### Maximum external static pressures for combined use of base unit

Outdoor unit capacity type	Combination				Maximum external static pressure inWG
	Header outdoor unit	Follower outdoor unit1	Follower outdoor unit2		
072 type	072 type	-	-	Standard Model	0.24
096 type	096 type	-	-	Standard Model	0.16
120 type	120 type	-	-	Standard Model	0.16
144 type	144 type	-	-	Standard Model	0.16
168 type	168 type	-	-	Standard Model	0.16
192 type	096 type	096 type	-	Standard Model	0.16
	120 type	072 type	-	Space Saving Model	0.16
216 type	120 type	096 type	-	Standard Model	0.16
240 type	144 type	096 type	-	Standard Model	0.16
	120 type	120 type	-	Space Saving Model	0.16
264 type	144 type	120 type	-	Standard Model	0.16
288 type	144 type	144 type	-	Standard Model	0.16
	168 type	120 type	-	Space Saving Model	0.16
312 type	168 type	144 type	-	Standard Model	0.16
336 type	168 type	168 type	-	Space Saving Model	0.16
336 type	120 type	120 type	096 type	Standard Model	0.16
360 type	120 type	120 type	120 type	Standard Model	0.16
384 type	144 type	120 type	120 type	Standard Model	0.16
408 type	144 type	144 type	120 type	Standard Model	0.16
432 type	144 type	144 type	144 type	Standard Model	0.16
456 type	168 type	144 type	144 type	Standard Model	0.16

## 7-1-2. Priority Operation Mode Setting

### Purpose/characteristics

This function allows switching between priority cooling and priority heating.

Four patterns of priority operation mode setting are available as shown in the table below. Select a suitable priority mode according to the needs of the customer.

### Setup

#### CAUTION

---

In the case of the priority indoor unit mode, it is necessary to set up the specific indoor unit chosen for priority operation (a single unit only).

---

#### (1) Outdoor unit setup method (header unit)

SW11		Operation
Bit 1	Bit 2	
OFF	OFF	Priority heating (factory default)
ON	OFF	Priority cooling
OFF	ON	Priority operation based on No. of units in operation (priority given to the operation mode with the largest share of units in operation)
ON	ON	Priority indoor unit (priority given to the operation mode of the specific indoor unit set up for priority operation)

(2) Indoor unit setup method for priority indoor unit mode

The setting can be changed only when the system is at rest. (Be sure to turn off the system prior to this operation.)

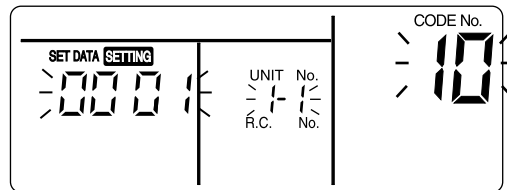
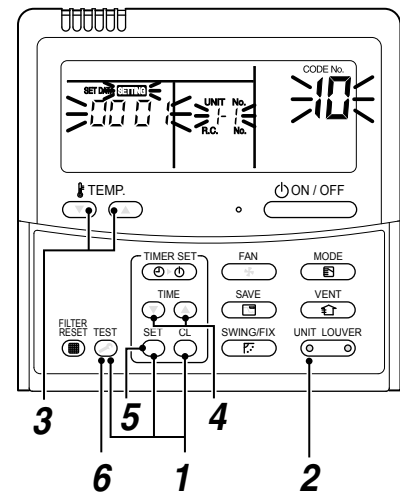
- 1 Push the **TEST** + **SET** + **CL** buttons simultaneously and hold for at least 4 seconds. The display window will start flashing in a little while.

Verify that the displayed CODE No. is 10.

• If the displayed CODE No. is not 10, press the **TEST** button to erase the display and repeat the procedure from the beginning.

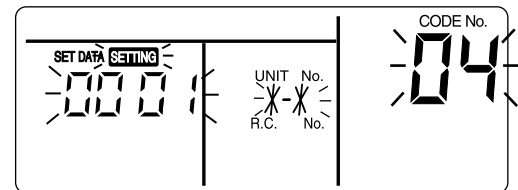
(Note that the system does not respond to remote control operation for about 1 minute after the **TEST** button is pushed.)

(In the case of group control, the indoor unit No. displayed first indicates the header unit.)



- 2 Each time the **UNIT LOUVER** button is pushed, one of the indoor unit Nos. under group control is displayed in turn. Select the indoor unit whose setting is to be changed.

The fan and flap of the selected indoor unit then come on, so that the position of this unit can be confirmed.



- 3 Use the **TEMP.** button to select the CODE No. 04.

- 4 Use the **TIME** button to select the SET DATA 0001.

Priority set 0001 No priority set 0000

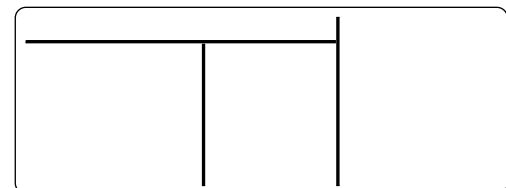
- 5 Push the **SET** button.

The setup is finished when the display changes from flashing to steady.

- 6 Upon finishing the setup, push the **TEST** button. (This finalizes the setting.)

When the **TEST** button is pushed, the display goes blank, and the system returns to normal off state.

(Note that the system does not respond to remote control operation for about 1 minute after the **TEST** button is pushed.)



**NOTE**

Priority can be given to only one indoor unit. If more than one indoor unit is accidentally set to priority, a check code (L5 or L6: Duplicated indoor unit priority setting) will be displayed.

All units displaying L5 have been set to 0001 (priority). Keep the unit to which priority should be given as it is, and change the value back to 0000 (no priority) for all the rest.

Check code	Description
L5	Duplicated indoor unit priority setting (The unit is set to 0001.)
L6	Duplicated indoor unit priority setting (The unit is set to 0000.)

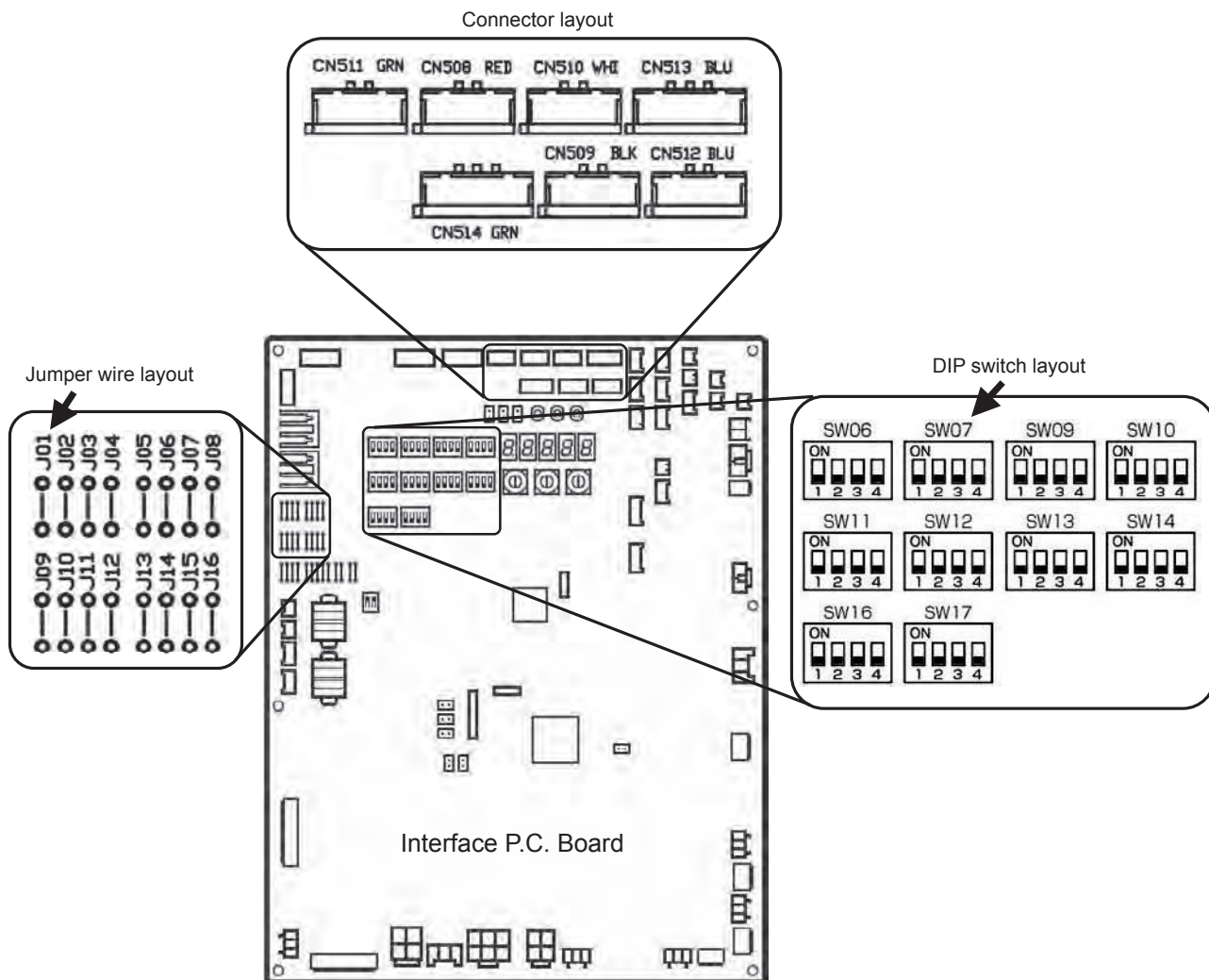
## 7-2. Applied Control of Outdoor Unit

Optional control P.C. boards provide access to a range of functions as listed below.

No.	Function	Outdoor unit for control P.C. board connection	Control P.C. board to be used			Outdoor unit interface P.C. board setting*			
			PCDM4UL	PCMO4UL	PCIN4UL	Connector No.	DIP SW No.	Bit	Jumper to be removed
1	Power peak-cut Control (Standard)	Header unit	✓	–	–	CN513(blue)	SW07	1	–
	Power peak-cut Control (For one input function)	Header unit	✓	–	–	CN513(blue)	SW07	1	J16
2	Power peak-cut Control (Enhanced Functions)	Header unit	✓	–	–	CN513(blue)	SW07	1.2	–
3	Snowfall Fan Control	Header unit	–	✓	–	CN509(black)	–	–	–
4	External master ON/OFF Control	Header unit	–	✓	–	CN512(blue)	–	–	–
5	Night operation (sound reduction) Control	Header unit	–	✓	–	CN508(red)	–	–	–
6	Operation Mode Selection Control	Header unit	–	✓	–	CN510(white)	–	–	–
	Operation Mode Selection Control (forced choice)	Header unit	–	✓	–	CN510(white)	–	–	J01
7	Trouble/Operation output	Header unit	–	–	✓	CN511(green)	–	–	–
8	Compressor Operation Output	Individual outdoor unit	–	–	✓	CN514(green)	–	–	–
9	Operating Rate Output	Header unit	–	–	✓	CN514(green)	SW16	1	–

### Layout of Outdoor Unit Interface P.C. Board

\* DIP switch settings and jumper wire statuses vary from function to function.

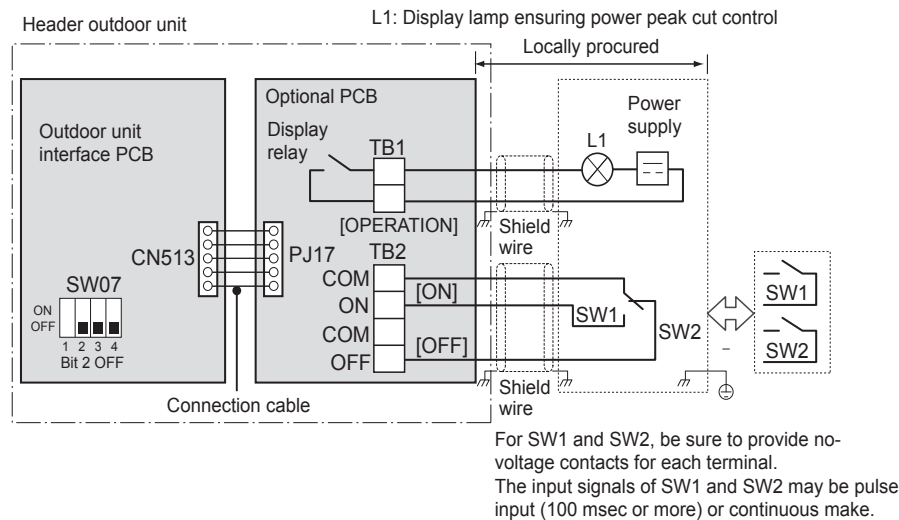




## 7-2-1. Power peak-cut Control (Standard)

### Mode name : TCB-PCDM4UL

#### (1) Four-core cable support



#### Operation

An external power peak-cut control signal limits the peak capacity of the outdoor unit.

L1: Power peak-cut control indication lamp

SW1: Power peak-cut control ON switch (ON as long as target power peak-cut control has been reached or exceeded, normally OFF)\*1

SW2: Power peak-cut control OFF switch (OFF as long as target power peak-cut control has not been reached or exceeded, normally ON)\*1

\*1 The inputs of SW1 and SW2 can be either pulse (100 msec or longer) or step signals.

Do not turn on SW1 and SW2 simultaneously.

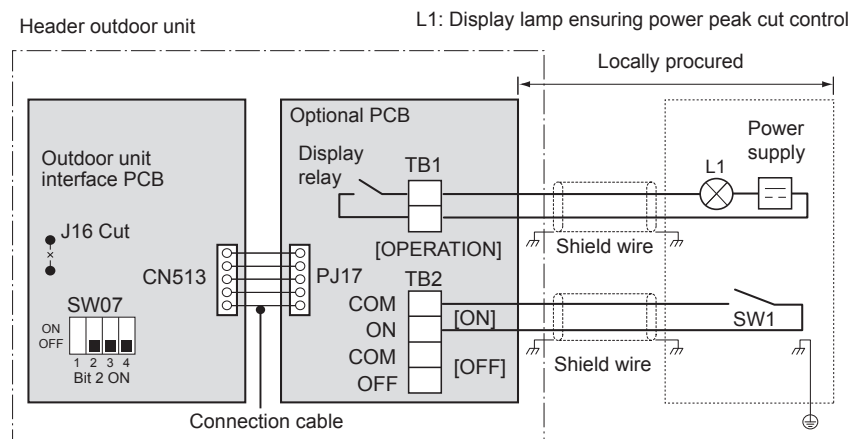
\* Be sure to provide a contact for each terminal.

#### Power peak-cut control settings

Power peak-cut control P.C. board	SW1	SW2	L1	Interface P.C. board of header outdoor unit	
				SW07 Bit 1 OFF	SW07 Bit 1 ON
Power peak-cut control ON signal received	ON	OFF	ON	0% (forced stop)	60% capacity (upper limit regulated)
Power peak-cut control OFF signal received	OFF	ON	OFF	100% (normal operation)	100% (normal operation)

#### (2) Two-core cable support

SMMS-e models allows ON/OFF power peak-cut control to be implemented using a power peak-cut control ON input (SW1) alone, provided that the J16 jumper wire on the interface P.C. board of the header outdoor unit has been removed.



### <SW07 Bit 2 OFF (two-step control)>

Power peak-cut control is enabled as long as SW1, as shown on the wiring diagram, is ON (continuously).

Jumper wire J16	Input SW1	SW07 Bit 1		Indicator relay (L1)
		Bit 1 OFF	Bit 1 ON	
Cut	OFF	100% (normal operation)	100% (normal operation)	OFF
	ON	0% (forced stop)	Approx. 60% (upper limit regulated)	ON

Note 1: Specifications of display relay contact

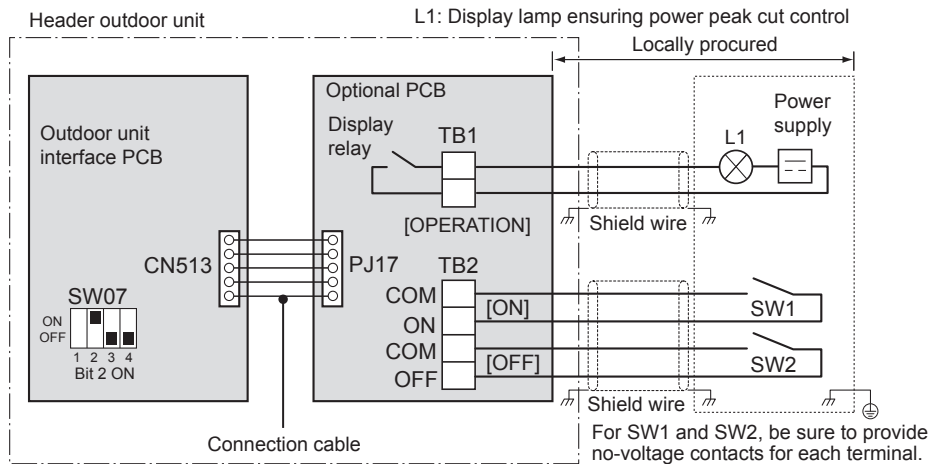
- Please insert the following electrical rating load to the terminal for display output ([Operation terminal])

<Electrical Rating>  
 200-240 VAC, 10 mA or more, 1 A or less (non-conductive load)  
 24 VDC, 10 mA or more, 1 A or less (non-conductive load)

When connecting a conductive load (e.g. relay coil) to the display relay load, insert a surge killer CR (for an AC power supply) or a diode for preventing back electromotive force (for a DC power supply) on the bypass circuit. The optional P.C. board should be connected to the header outdoor unit (U1).

## 7-2-2. Power peak-cut Control (Extended)

### Mode name: TCB-PCDM4UL



#### Operation

An external power peak-cut control signal limits the peak capacity of the outdoor unit.

L1: Power peak-cut control indication lamp

SW1: Power peak-cut control ON switch\*1

SW2: Power peak-cut control OFF switch\*1

\*1 The inputs of SW1 and SW2 can be either pulse (100 msec or longer) or step signals.

\* Be sure to provide a contact for each terminal.

#### Extended power peak-cut control settings

Specifications of display relay contact

Indication lamp	External power peak-cut control signals		Peak capacity	
			I/F SW07 Bit 1	
L1	SW1	SW2	OFF	ON
OFF	OFF	OFF	100% (normal operation)	100% (normal operation)
ON	ON	OFF	80% (upper limit regulated)	85% (upper limit regulated)
ON	OFF	ON	60% (upper limit regulated)	75% (upper limit regulated)
ON	ON	ON	0% (forced stop)	60% (upper limit regulated)

Note 1: Specifications of display relay contact

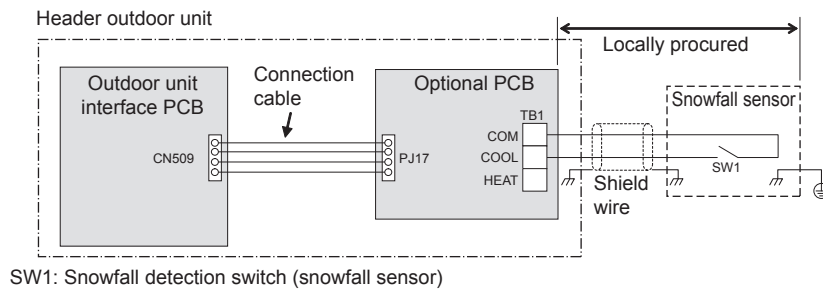
Please insert the following electrical rating load to the terminal for display output ([Operation terminal])

<Electrical Rating>  
 200-240 VAC, 10 mA or more, 1 A or less (non-conductive load)  
 24 VDC, 10 mA or more, 1 A or less (non-conductive load)

When connecting a conductive load (e.g. relay coil) to the display relay load, insert a surge killer CR (for an AC power supply) or a diode for preventing back electromotive force (for a DC power supply) on the bypass circuit. The optional P.C. board should be connected to the header outdoor unit (U1).

### 7-2-3. Snowfall Fan Control

#### Mode name : TCB-PCMO4UL



SW1: Snowfall detection switch (snowfall sensor)

#### Operation

An external snowfall signal turns on the outdoor unit fan.

Terminal	Input signal	Operation
COOL (SW1)	ON	All indoor units operate together
	OFF	
	ON	All indoor units operate together
	OFF	

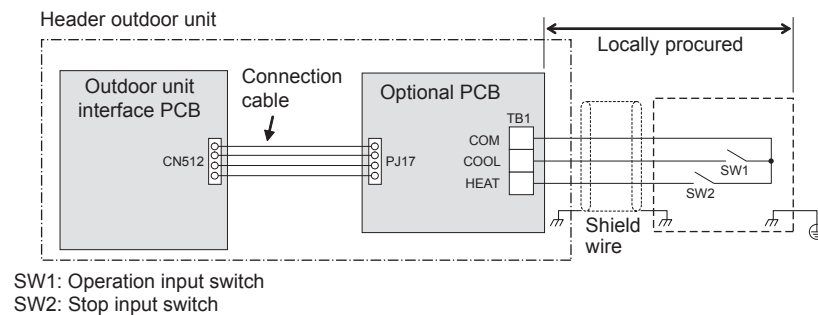
The input signal is recognized during its rising/falling phase.

(After reaching the top/bottom of the rising/falling edge, the signal must remain there for at least 100 mses.)

The optional P.C. board should be connected to the header outdoor unit (U1).

### 7-2-4. External master ON/OFF Control

#### Mode mane: TCB-PCMO4UL



SW1: Operation input switch  
SW2: Stop input switch

#### Operation

The system is started/stopped from the outdoor unit.

Terminal	Input signal	Operation
COOL (SW1)	ON	Turns on all indoor units
	OFF	
HEAT (SW2)	ON	Turns off all indoor units
	OFF	

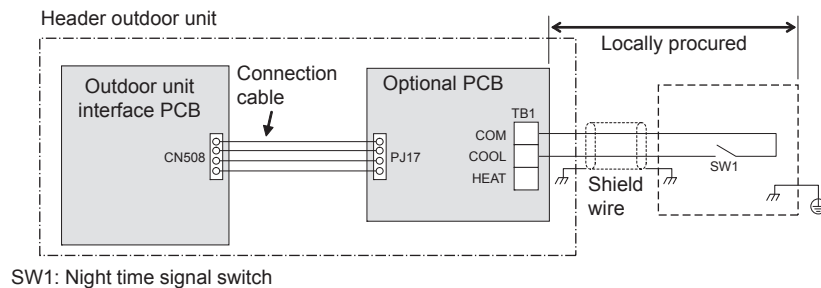
The input signal is recognized during its falling phase. (After reaching the bottom of the falling edge, the signal must remain there for at least 100 msec.)

#### CAUTION

- (1) Do not turn on the COOL (SW1) and HEAT (SW2) terminals simultaneously.
  - (2) Be sure to provide a contact for each terminal.
- External signal: No-voltage pulse contact

The optional P.C. board should be connected to the header outdoor unit (U1).

## 7-2-5. Night operation (sound reduction) Control Mode name: TCB-PCMO4UL



SW1: Night time signal switch

### Operation

This function decreases noise at night or other times as necessary.

Terminal	Input signal	Operation
COOL (SW1)	ON	Night time control
	OFF	
	ON	Normal operation
	OFF	

The input signal is recognized during its rising/falling phase.

(After reaching the top/bottom of the rising/falling edge, the signal must remain there for at least 100 msec.)

The optional P.C. board should be connected to the header outdoor unit (U1).

The system's capacity is reduced during low-noise operation.

The table below provides a rough guide to this capacity reduction.

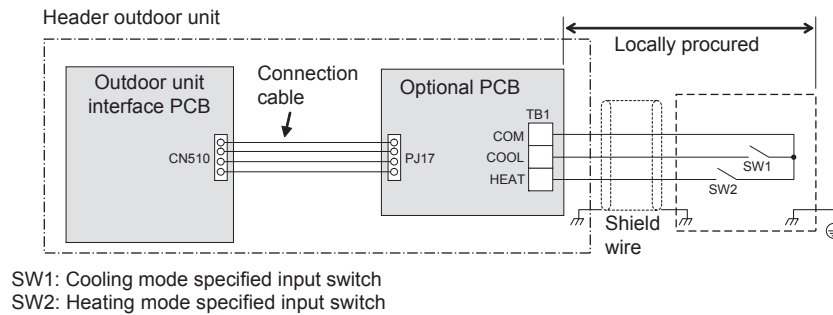
Outdoor unit (base unit)	During low noise mode dB(A)	Capacity	
		Cooling	Heating
072 type	50	Approx. 85%	Approx. 80%
096 type	53	Approx. 85%	Approx. 85%
120 type	53	Approx. 80%	Approx. 80%
144 type	54	Approx. 70%	Approx. 70%
168 type	54	Approx. 65%	Approx. 65%

Relative to maximum capacity

\* Position of noise measuring device: 3.3" (1 m) from the front face of the set and 4.9" (1.5 m) above ground  
(in anechoic chambers)

## 7-2-6. Operation Mode Selection Control

### Mode name : TCB-PCMO4UL



#### NOTE

SW1: COOL mode selection switch  
SW2: HEAT mode selection switch

Input signal		Operation	Remarks
COOL (SW1)	HEAT (SW2)		
ON	OFF	Only cooling operation allowed	*
OFF	ON	Only heating operation allowed	*
OFF	OFF	Normal operation	

\* The display “ (Operation mode selection control in progress)” appears on the remote control

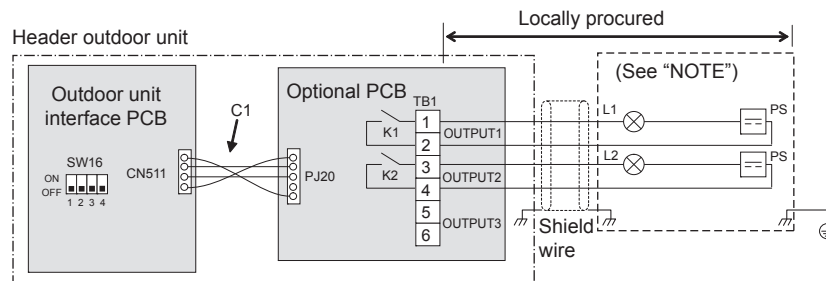
#### Indoor unit operation intervention function

The statuses of indoor units operating in a mode different from the selected operation mode can be changed by changing the status of a jumper wire (J01) provided on the interface P.C. board of the header outdoor unit.

Jumper lead	Details of Processing		
J01 connected (factory default)	<b>Unallowed indoor units in a mode other than the selected operation mode are not treated as priority (thermostat OFF state). (Unallowed indoor units)</b>		
	Operation Mode	Operation State	Remote control
	Cooling	Air blow operation at fan speed set on remote control	,  indicator is displayed.
	Heating	Air blow operation at ultra-low fan speed	
Fan	Regular air blow operation at fan speed set on remote control		
J01 cut	<b>Indoor units in a mode other than the selected operation mode are forcibly switched to the selected operation mode.</b>		
	PC board selection mode	Remote control operation/display	
	Normal	,  ,  , or  can be selected	When using the remote control,  (mode select control) indicator is displayed.
	Cool	Only  ,  , or  can be selected	
Heat	Only  or  can be selected		

The optional P.C. board should be connected to the header outdoor unit (U1).

## 7-2-7. Trouble/Operation Output Mode name : TCB-PCIN4UL



### Operation

**In-operation output:** An in-operation indication signal is output as long as at least one indoor unit is in operation in the line.

**Failure output:** A failure indication signal is output if a check code occurs in at least one indoor/outdoor unit in the line.

Note 1: Output Relay (K1, K2) Contact Specifications

Please insert the following electrical rating to output the terminals (Output 1,2)

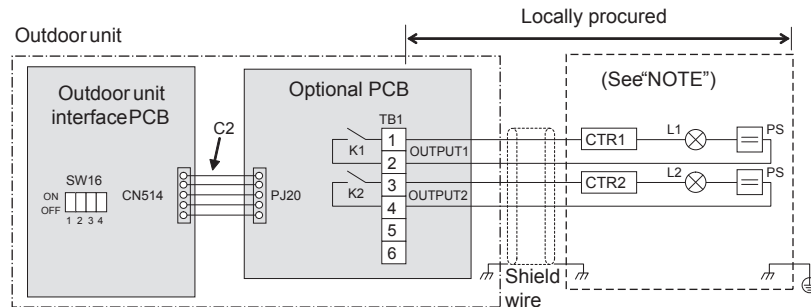
When connecting a conductive load (e.g. relay coil) to loads K1 and K2 insert a surge killer CR (for an AC power supply) or a diode for preventing back electromotive force (for a DC power supply) on the bypass circuit.

<Electrical Rating>  
200-240 VAC, 10 mA or more, 1A or less (non-conductive load)  
24 VDC, 10 mA or more, 1 A or less (non-conductive load)

C1	Attached connection cable 1 (4wires)
CN511	Connector on interface side (green)
K1, K2	Relays
L1	Failure indication Lamp
L2	Operation indication Lamp
OUTPUT1	Failure output
OUTPUT2	Operation output
PJ20	Connector on optional PCB side
PS	Power supply unit
TB1	Terminal block

The optional P.C. board should be connected to the header outdoor unit (U1).

## 7-2-8. Compressor Operation Output Mode name : TCB-PCIN4UL



### Operation

When a compressor is in operation, a relay connected to the output terminal assigned to it is turned on (closed). When it is at rest, the relay is turned off (open).

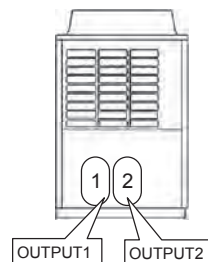
The output terminals are named OUTPUT1 and OUTPUT2 from left to right when facing the front of the outdoor unit, as shown in the diagram.

### Note 1: Output Relay (K1, K2) Contact Specifications

- Please insert the following electrical rating to output terminals(Output1,2).
- When connecting a conductive load (e.g. relay coil) to loads K1 and K2 insert a surge killer CR (for an AC power supply) or a diode for preventing back electromotive force (for a DC power supply) on the bypass circuit.

<Electrical Rating>  
 200-240 VAC, 10 mA or more, 1A or less (non-conductive load)  
 24 VDC, 10 mA or more, 1 A or less (non-conductive load)

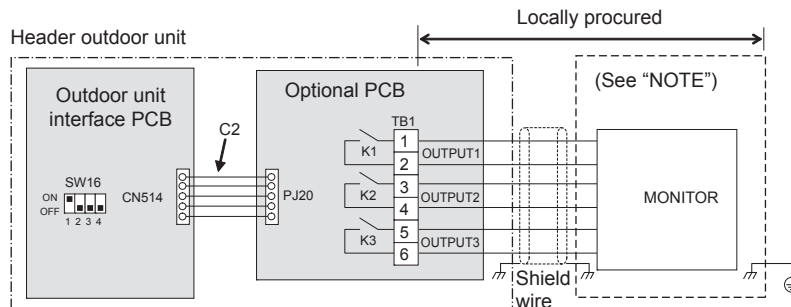
Model featuring two compressors



C2	Connector cable 2 ( [ 2 ] )
CN514	Connector on interface side (green)
CTR1	Elapsed operation counter 1
CTR2	Elapsed operation counter 2
K1, K2	Relays
L1, L2	Operation indication LEDs
OUTPUT1	Compressor 1 operation output terminal
OUTPUT2	Compressor 2 operation output terminal
PJ20	Connector on optional PCB side
PS	Power supply unit
TB1	Terminal block




## 7-2-9. Operating Rate Output Mode name : TCB-PCIN4UL



### Operation

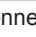
At the output terminals, a signal is present (relay closed) or absent (relay open) in various combinations according to the system operation factor, as shown in the diagram.

The operation rate (FA) is the percentage ratio of the current output of the system to the maximum output (100%).

Function	SW16	OUTPUT1	OUTPUT2	OUTPUT3	Operation factor (FA)
System operation rate output	ON OFF  Bit 1: ON Bit 2: OFF	off	off	off	FA=0%
		on	off	off	0% < FA < 20%
		off	on	off	20% ≤ FA < 35%
		on	on	off	35% ≤ FA < 50%
		off	off	on	50% ≤ FA < 65%
		on	off	on	65% ≤ FA < 80%
		off	on	on	80% ≤ FA < 95%
		on	on	on	95% ≤ FA

off = Relay open

on = Relay closed

C2	Connector cable 2 (  )
CN514	Connector on interface side (green)
K1, K2, K3	Relays
MONITOR	Monitoring device
OUTPUT1	Output terminal for each function
OUTPUT2	Output terminal for each function
OUTPUT3	Output terminal for each function
PJ20	Connector on optional PCB side
TB1	Terminal block

\* Connect the optional P.C. board to the header outdoor unit.

### Note 1: Output Relay (K1, K2, K3) Contact Specifications

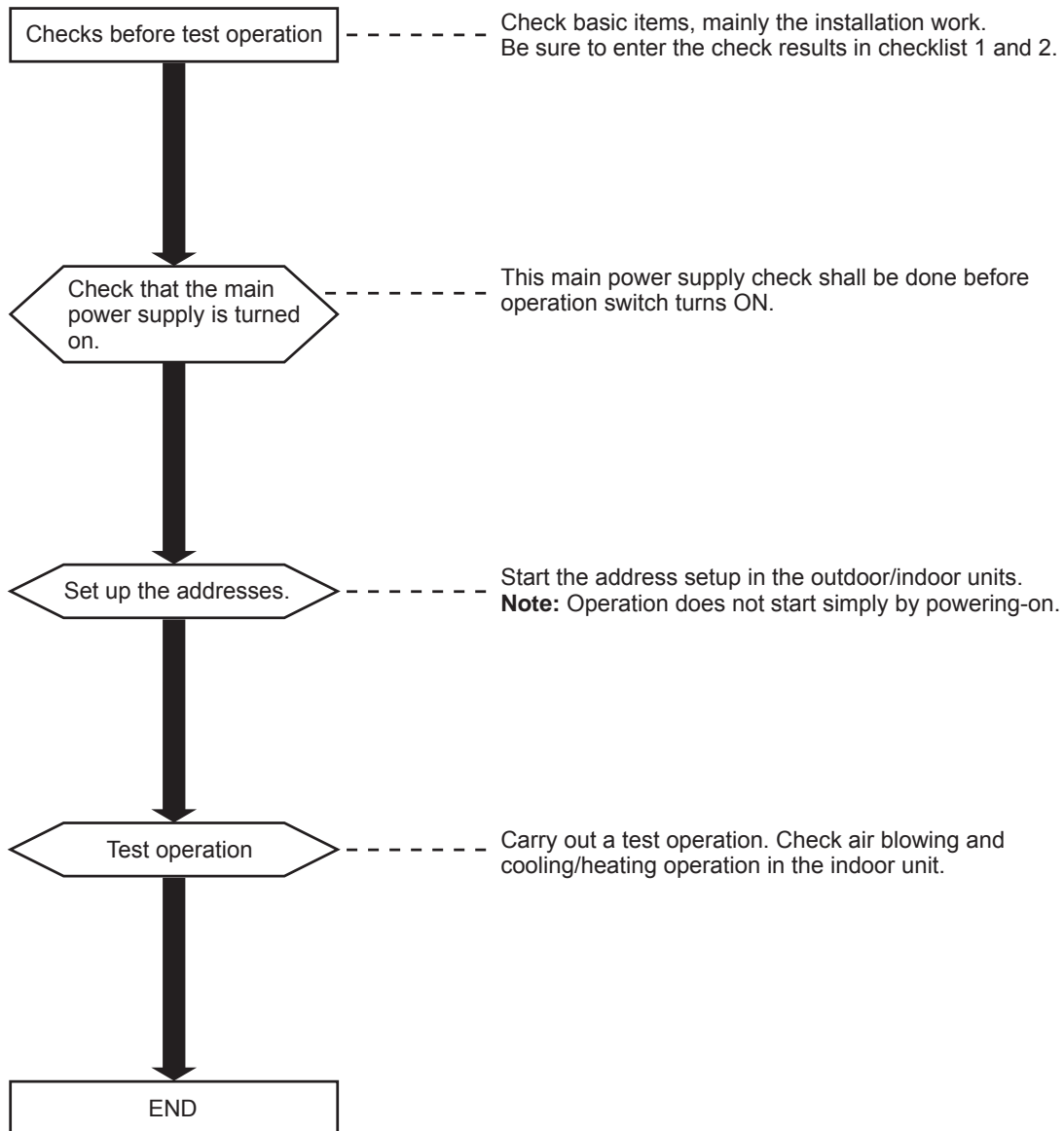
- Please insert the following electrical rating load to output terminals(Output1,2,3).
- When connecting a conductive load (e.g. relay coil) to loads K1, K2 and K3, insert a surge killer CR (for an AC power supply) or a diode for preventing back electromotive force (for a DC power supply) on the bypass circuit.

<Electrical Rating> 200-240 VAC, 10 mA or more, 1A or less (non-conductive load) 24 VDC, 10 mA or more, 1 A or less (non-conductive load)
---

# 8 TEST OPERATION

## 8-1. Procedure and Summary of Test Operation

A test operation is executed with the following procedure. When a problem occurs at any step, remove the causes of the problem referring to "9 TROUBLESHOOTING."



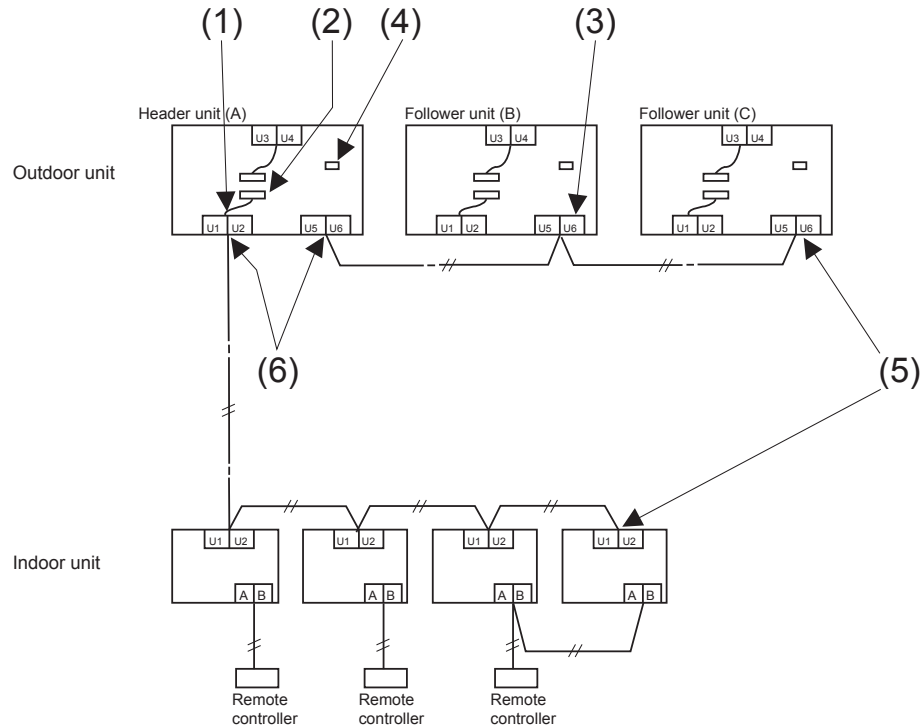
## 8-2. Check Items before Test Operation (before powering-on)

Prior to the test operation, check the following items to verify there are no problems with the installation work.

### Main check items for electric wiring

The communication system differs from that of R22 or R407 refrigerant “Modular Multi System” air conditioners. Check wiring points again carefully.

(1) In the case that a central control system is not connected:



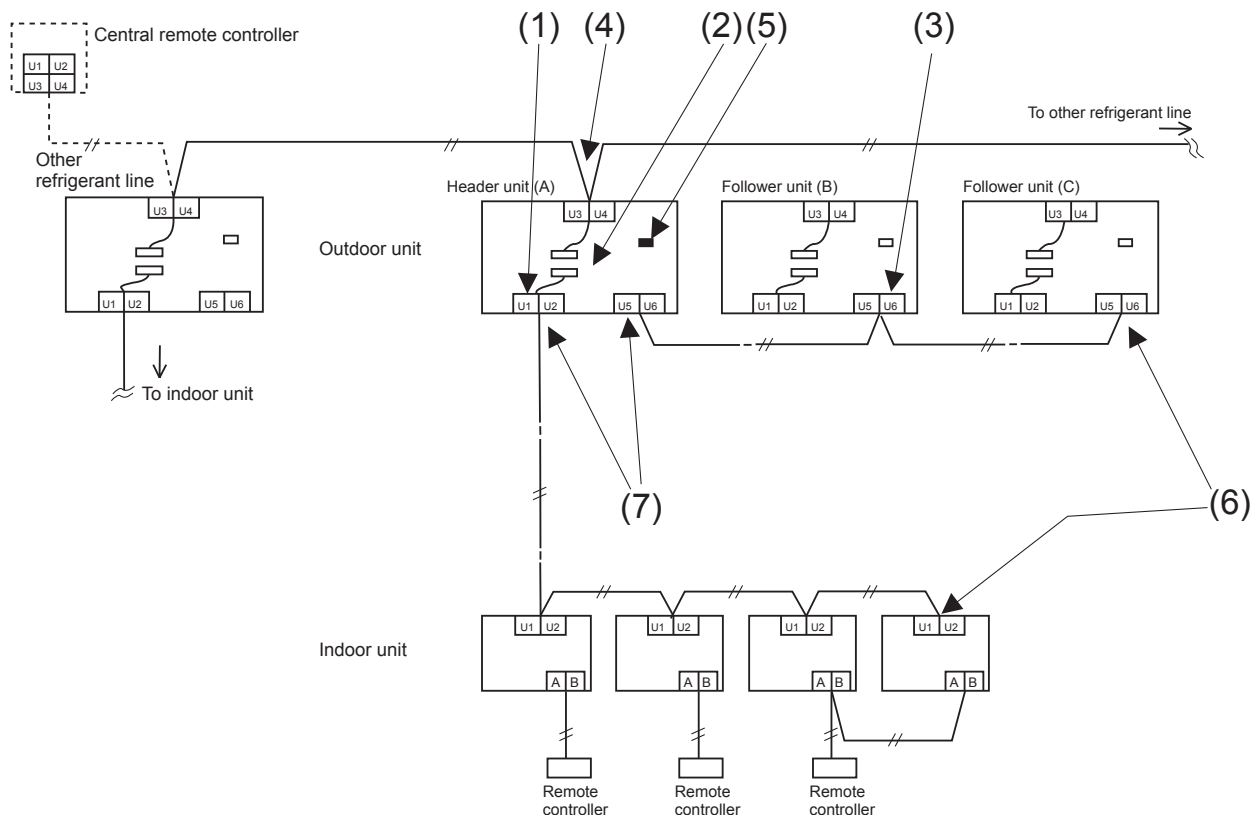
Main check items	Check
(1) Are the indoor and outdoor communication lines of the header unit connected to the U1/U2 terminals?	
(2) Is the relay connector between the U1/U2 terminal and the U3/U4 terminal disconnect? (Set up at shipment from the factory)	
(3) Is the communication line between outdoor units connected to the U5/U6 terminal?	
(4) Is the terminator resistor (SW30-bit 2) on the interface PC board of the header unit turned on? (Set up at shipment from the factory)	
(5) Is the end terminal of the shield wire open?	
(6) Is the end terminal of the shield wire earthed at the header unit side?	

### NOTE

The figure above does not show all the electric wires.

For details, refer to the installation manuals for the outdoor unit, indoor unit, remote controller, or optional devices.

(2) In the case that a central control system is connected (before address setup)



Main check items	Check
(1) Are the indoor and outdoor communication lines of the header unit connected to the U1/U2 terminals?	
(2) Is the relay connector between the U1/U2 terminal and the U3/U4 terminal disconnect? (Set up at shipment from the factory) (Keep the relay connector disconnected before address setup.)	
(3) Is the communication line between outdoor units connected to the U5/U6 terminal?	
(4) Is the communication line of the central control system connected to the header unit U3/U4 terminals of each refrigerant line? (The communication line of the central control system may be connected to the communication lines of the indoor/outdoor communication lines.)	
(5) Is the terminator resistor (SW30-bit 2) on the interface PC board of the header unit turned on? (Set up at shipment from the factory) * After address setup and test operation check, turn on the SW30-bit 2 of the header unit for the smallest line address, and turn off SW30-bit 2 of the header unit for other refrigerant lines. (See "8-4-3. Address Setup Procedure")	
(6) Is the end terminal of the shield wire open?	
(7) Is the end terminal of the shield wire earthed at the header unit side?	
(8) When the refrigerant line and the central control system of the DI-SDI series are connected: → Are Network adapter (TCB-PCNT31TLUL) correctly connected? → When the SDI series operates with group, twin, or triple operation, are the adapters connected to the header unit of the indoor unit?	

#### NOTE

The figure above does not show all the electric wires.

For details, refer to the installation manuals for the outdoor unit, indoor unit, remote controller, or optional devices.

## Checklist 1

- Using Checklist 1, check that there are no problems with the installation work.

Is the capacity of the circuit breaker appropriate?	Outdoor total capacity <input type="text"/> A	Header unit (A) <input type="text"/> A	Indoor unit <input type="text"/> A		
		Follower unit (B) <input type="text"/> A			
		Follower unit (C) <input type="text"/> A			
Is the gauge of the power cable correct?		Header unit (A) AWG <input type="text"/>	Indoor unit <input type="text"/>		
		Follower unit (B) AWG <input type="text"/>			
		Follower unit (C) AWG <input type="text"/>			
Is the control communication line correct?		Indoor-outdoor connection terminals (U1, U2) <input type="text"/>			
		Outdoor-outdoor connection terminals (U5, U6) <input type="text"/>			
		Central control system connection terminals (U3, U4) <input type="text"/>			
Is the power of indoor units supplied collectively?					
Is the grand wire constructed certainly?					
Is the insulating resistance sufficient? (10M or higher)		<input type="text"/> MΩ or higher			
Is the main power voltage sufficient? (within 208/230V ±10%)		<input type="text"/> V			
Is the diameter of connecting pipe correct?					
Is the branch kit correct?					
Is the water drain of the indoor unit arranged so that it flows without accumulation?					
Is the heat insulation of pipes sufficient? (connecting pipes, branch kit)					
Is there no short circuit of discharge air in the indoor/outdoor units?					
After an airtightness test of the pipes, are vacuuming and adding of refrigerant executed?					
Are the valves of all the outdoor units fully opened?					
		Suction gas side	Discharge gas side	Liquid side	Balance side
	Header unit (A)	<input type="text"/>	<input type="text"/>	<input type="text"/>	<input type="text"/>
	Follower unit (B)	<input type="text"/>	<input type="text"/>	<input type="text"/>	<input type="text"/>
	Follower unit (C)	<input type="text"/>	<input type="text"/>	<input type="text"/>	<input type="text"/>

## Checklist 2

- Check the additional amount of refrigerant.

Calculate the additional amount of refrigerant from the additional amount of refrigerant (A) by the pipe diameter on the liquid side, the pipe length to be connected, and the corrective amount of refrigerant (C) according to system horsepower.

$$\text{Additional amount of refrigerant} = \underbrace{\text{Actual liquid pipe length} \times \text{Additional amount of refrigerant per 1 m of liquid pipe}}_{(A)} \times 1.3 + \underbrace{\text{Corrective amount of refrigerant according to system horsepower}}_{(C)}$$

First, enter the total length for each liquid pipe diameter in the following table, and then calculate the additional amount of refrigerant by pipe length.

### <Additional amount of refrigerant by pipe length>

Pipe diameter on the liquid side	Standard amount of refrigerant	Total pipe length on each liquid side ft	Additional amount of refrigerant pipe diameter on each liquid side lbs
φ1/4"	0.017 ×	=	lbs
φ3/8"	0.037 ×	=	lbs
φ1/2"	0.071 ×	=	lbs
φ5/8"	0.108 ×	=	lbs
φ3/4"	0.168 ×	=	lbs
φ7/8"	0.235 ×	=	lbs
Additional amount of refrigerant by pipe length (A)			lbs

Next, refer to the following table for the corrective amount of refrigerant (C) according to system capacity.

### <Corrective amount of refrigerant according to system capacity>

Outdoor unit capacity type	Adjustment amount of refrigerant (lbs)	Combined outdoor units		
072 type	4.4	072 type		
096 type	6.6	096 type		
120 type	17.6	120 type		
144 type	24.3	144 type		
168 type	30.9	168 type		
192 type	8.8	096 type	096 type	
216 type	13.2	120 type	096 type	
240 type	22.1	144 type	096 type	
264 type	26.5	144 type	120 type	
288 type	30.9	144 type	144 type	
312 type	33.1	168 type	144 type	
336 type	13.2	120 type	120 type	096 type
360 type	24.3	120 type	120 type	120 type
384 type	28.7	144 type	120 type	120 type
408 type	30.9	144 type	144 type	120 type
432 type	33.1	144 type	144 type	144 type
456 type	37.5	168 type	144 type	144 type

## Space saving model

Outdoor unit capacity type	Adjustment amount of refrigerant (lbs)	Combined outdoor units		
192 type	8.8	120 type	072 type	
240 type	22.1	120 type	120 type	
288 type	30.9	168 type	120 type	
336 type	37.5	168 type	168 type	

Lastly, add the additional amount of refrigerant by pipe length (A) to the corrective amount of refrigerant by system capacity (C). This is the final additional amount of refrigerant.

If a minus sign is indicated as the result, do not reduce or add the refrigerant (= 0 lbs).

### <Additional amount of refrigerant>

Additional amount of refrigerant by pipe length (A) lbs	lbs
Corrective amount of refrigerant according to combined horsepower (C) lbs	lbs
Additional amount of refrigerant kg	lbs

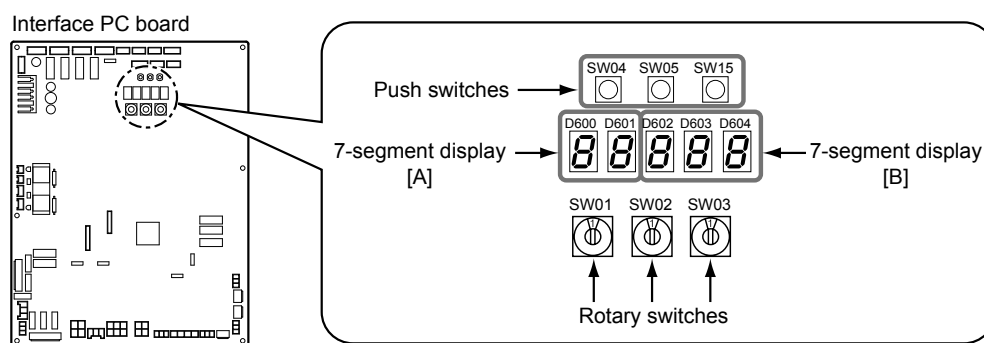
## 8-3. Check at Main Power-on

After turning on the main power of the indoor units and outdoor unit in the refrigerant line to conduct a test operation, check the following items in each outdoor and indoor unit.

(After turning on the main power, be sure to check in order: indoor unit → outdoor unit.)

### <Check on the outdoor unit>

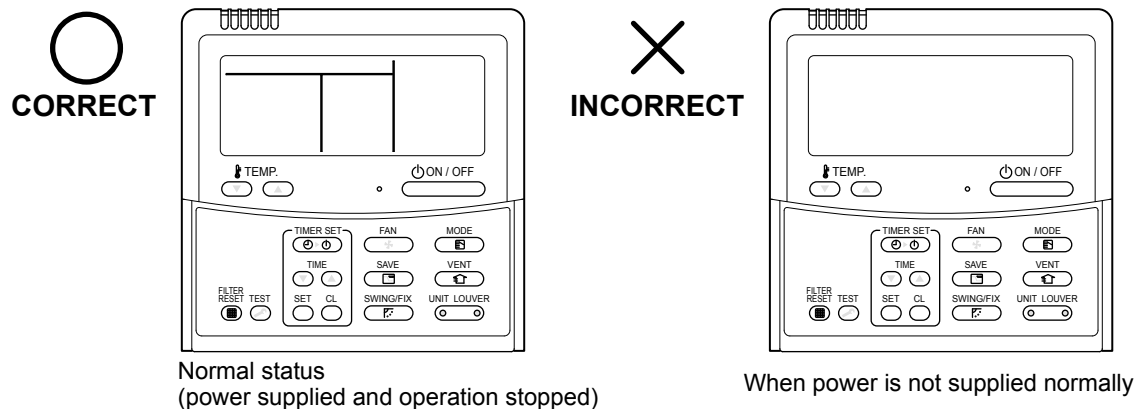
- (1) Check that all the rotary switches, SW01, SW02, and SW03, on the interface PC board of the header unit are set to "1."
- (2) If another check code is displayed on the 7-segment display [B], remove the cause of the problem referring to Section, "9 TROUBLESHOOTING".
- (3) Check that "L08" is displayed on the 7-segment display [B] on the interface PC board of the header unit. (L08: Indoor address not set up)  
(If the address setup operation has already been completed during servicing, etc., the above check code is not displayed, and only "U1" is displayed on the 7-segment display [A].)



### <Check on the indoor unit>

- (1) Display check on the remote controller (in the case of a wired remote controller)

Check that a frame, as shown in the following figure at left, is displayed on the LC display section of the remote controller.



If no frame is displayed, as shown in the above figure at right, the remote controller does not have a normal supply of power; check the following items.

- Check the power supply of the indoor unit
- Check the cabling between the indoor unit and the remote controller.
- Check whether there is a cutoff of wire around the indoor control PC board or not, and check for connection failures of the connectors.
- Check for failure of the transformer for the indoor electrical control box.
- Check for failure of the indoor control PC board.



## 8-4. Address Setup

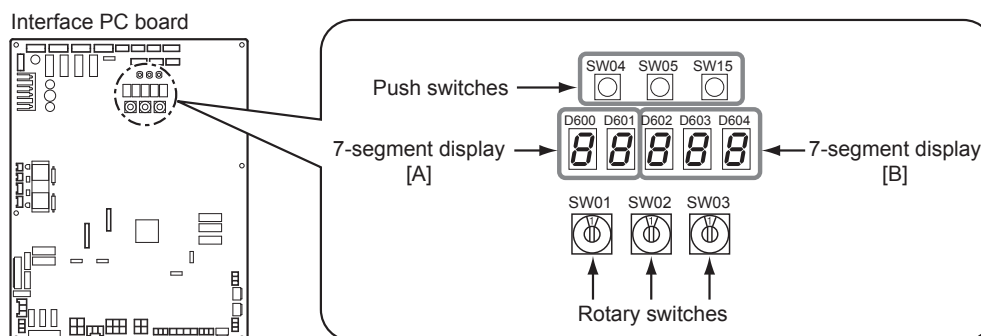
This product requires address setup before operation.  
Follow this procedure for address setup.

### 8-4-1. Precautions

- (1) Address setup is not performed simply by turning on the power supply.
- (2) For indoor units, address setup can be done either by manual address setup or by automatic address setup:  
Automatic address setup: Setup from SW15 on the interface PC board of the header unit  
Manual address setup: Setup from the wired remote controller. (For details, refer to “8-4-3. Address Setup Procedure.”)
- (3) Automatic setup usually takes about 5 minutes per line. In some cases, however, it may take up to 10 minutes.
- (4) It is unnecessary to operate the air conditioner to achieve address setup.

### 8-4-2. Address Setup and Check Procedure

Procedure	Item	Operation and check contents																													
1	Multi port FS unit power-on	Turn on the power of the FS unit in order to recognize the FS unit to indoor unit.																													
2	Indoor unit power-on	Turn on the power of the indoor unit for the refrigerant line for which the address is to be set up.																													
3	Outdoor unit power-on	Turn on the power of all the outdoor units for the refrigerant line for which the address is to be set up.																													
4	7-segment display check	Check that “L08” is displayed on the 7-segment display [B] on the interface PC board of the header unit in the system where the address is to be set up.																													
5	Address setup start	Confirm the items in “8-4-3. Address Setup Procedure,” and then set up the address according to the operation procedure. (Be careful to note that the setup operation may differ in group control and central control systems.)  <b>Note:</b> <b>The address cannot be set up if switches are not operated.</b>																													
6	Individual RC control setup	Sure must be set up in the case to be able to use the Individual RC control. How to set up please refer to "Manual address setup from the remote controller" Note: In the case of no setup, the indoor unit is not heating or not cooling																													
7	Display check after setup	<ul style="list-style-type: none"> <li>• After address setup, “U1” “ ” is displayed on the 7-segment display.</li> <li>• For follower outdoor units, “U2” to “U3” are displayed on the 7-segment display [A].</li> <li>• If a check code is displayed on the 7-segment display [B], remove the cause of the problem referring to “9 TROUBLESHOOTING.”</li> </ul>																													
8	System information check after setup	Using the 7-segment display function, check the system information of the scheduled system. (This check is executed on the interface PC board of the header unit.)  <table border="1" style="margin-left: auto; margin-right: auto;"> <thead> <tr> <th rowspan="2"></th> <th colspan="3">Rotary switch setup</th> <th colspan="2">7-segment display</th> </tr> <tr> <th>SW01</th> <th>SW02</th> <th>SW03</th> <th>[A]</th> <th>[B]</th> </tr> </thead> <tbody> <tr> <td>System capacity</td> <td>1</td> <td>2</td> <td>3</td> <td>[Number of horsepower]</td> <td></td> </tr> <tr> <td>Number of connected outdoor units</td> <td>1</td> <td>3</td> <td>3</td> <td>[Number of units]</td> <td></td> </tr> <tr> <td>Number of connected indoor units</td> <td>1</td> <td>4</td> <td>3</td> <td>[Number of connected units]</td> <td></td> </tr> </tbody> </table> <p>After the above checks, return rotary switches SW01, SW02, and SW03 to 1/1/1.</p>		Rotary switch setup			7-segment display		SW01	SW02	SW03	[A]	[B]	System capacity	1	2	3	[Number of horsepower]		Number of connected outdoor units	1	3	3	[Number of units]		Number of connected indoor units	1	4	3	[Number of connected units]	
	Rotary switch setup			7-segment display																											
	SW01	SW02	SW03	[A]	[B]																										
System capacity	1	2	3	[Number of horsepower]																											
Number of connected outdoor units	1	3	3	[Number of units]																											
Number of connected indoor units	1	4	3	[Number of connected units]																											



### 8-4-3. Address Setup Procedure

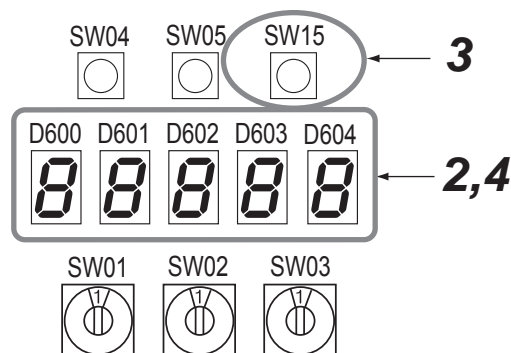
No central control: go to Address setting procedure 1  
 Central control of 2 or more refrigerant lines: go to Address setting procedure 2

(Example)	When controlling a single refrigerant line centrally	When controlling 2 or more refrigerant lines centrally
Address setting procedure	To procedure 1	To procedure 2
System wiring diagram		

#### ◆ Address setting procedure 1

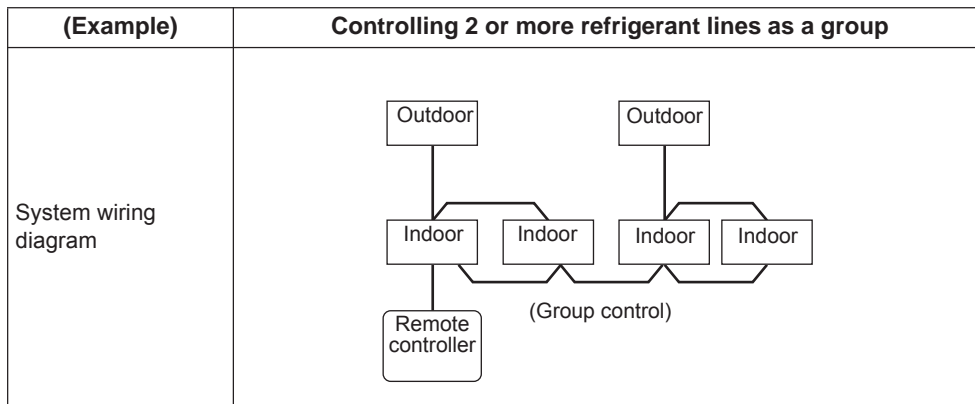
- 1 Turn on indoor units first, and then turn on outdoor units.
- 2 About one minute after turning the power on, confirm that the 7-segment display on the interface P.C. board of the header outdoor unit indicates **U. 1. L08 (U. 1. flash)**.
- 3 Press SW 15 to start the automatic address setting.  
 (It may take up to 10 minutes (normally about 5 minutes) to complete one line's setting.)
- 4 The 7-segment display indicates **Auto 1 → Auto 2 → Auto 3**.  
 After the indication, **U. 1. --- (U. 1. flash)** starts flashing on the display.  
 When the flashing stops and **U. 1. --- (U. 1. light)** remain lit on the display, the setting is complete.

Interface P.C. board on the header outdoor unit



#### REQUIREMENT

- When 2 or more refrigerant lines are controlled as a group, be sure to turn on all the indoor units in the group before setting addresses.  
 (Note: The group control of more than two refrigerant systems is possible only when all the FS units are single port type.)
- If you set the unit addresses of each line separately, each line's header indoor unit is set separately. In that case, the CODE No. "L03" (Indoor header unit overlap) is indicated as running starts. Change the group address to make one unit the header unit using wired remote controller.



(Note: The group control of more than two refrigerant systems is possible only when all the FS units are single port type.)

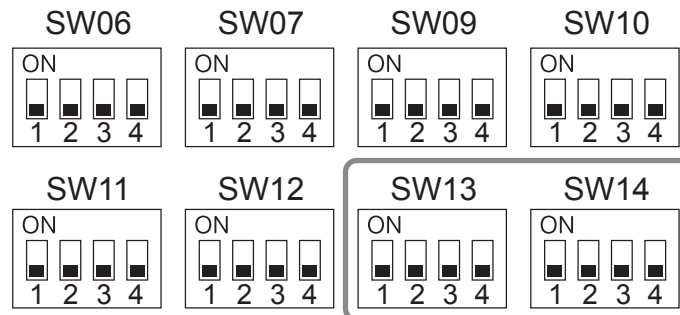
## ◆ Address setting procedure 2

- 1 Set a system address for each system using SW 13 and 14 on the interface P.C. board on the header outdoor unit of each system.  
(Factory default: Address 1)

### NOTE

Be sure to set a unique address on each system. Do not use a same address as another system (refrigerant line) or a "Digital Inverter" side.

### Interface P.C. board on the header outdoor unit

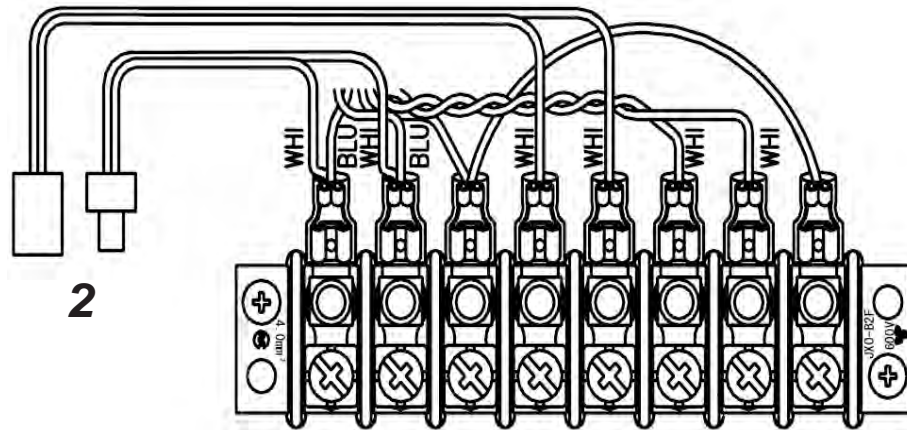


Line address switches on the outdoor interface PC board (○: switch on, ×: switch off)

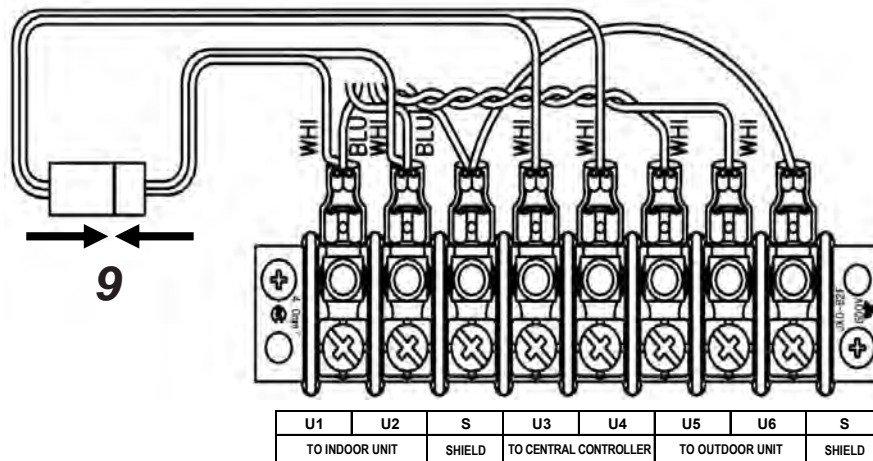
Line address	SW13				SW14			
	1	2	3	4	1	2	3	4
1				×	×	×	×	×
2				×	○	×	×	×
3				×	×	○	×	×
4				×	○	○	×	×
5				×	×	×	○	×
6				×	○	×	○	×
7				×	×	○	○	×
8				×	○	○	○	×
9				×	×	×	×	○
10				×	○	×	×	○
11				×	×	○	×	○
12				×	○	○	×	○
13				×	×	×	○	○
14				×	○	×	○	○
15				×	×	○	○	○
16				×	○	○	○	○
17				○	×	×	×	×
18				○	○	×	×	×
19				○	×	○	×	×
20				○	○	○	×	×
21				○	×	×	○	×
22				○	○	×	○	×
23				○	×	○	○	×
24				○	○	○	○	×
25				○	×	×	×	○
26				○	○	×	×	○
27				○	×	○	×	○
28				○	○	○	×	○

Not used for setup of line address (do not change setup.)

- 2 Be sure to disconnect the relay connectors between the [U1U2] and [U3U4] terminals on all the header outdoor units that will be connected to the central control. (Factory default: disconnected)



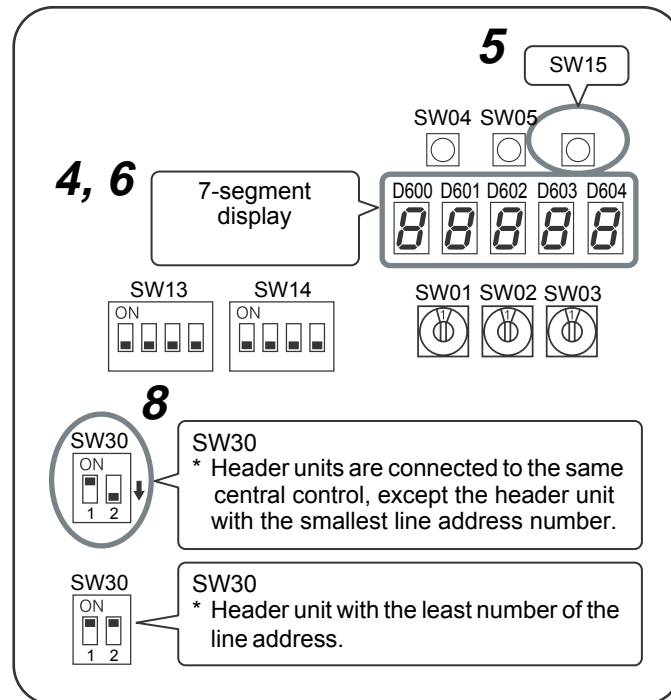
- 3 Turn on indoor units first, and then turn on outdoor units.
- 4 About 1 minute after turning the power on, confirm that the 7-segment display on the interface P.C. board of the header outdoor unit indicates U. 1. L08 (U. 1. flash).
- 5 Press SW 15 to start the automatic address setting.  
(It may take up to 10 minutes (normally about 5 minutes) to complete one line's setting.)
- 6 The 7-segment display indicates Auto 1 → Auto 2 → Auto 3.  
After the indication, U. 1. --- (U. 1. flash) starts flashing on the display.  
When the flashing stops and U. 1. --- (U. 1. light), remains lit on the display, the setting is complete.
- 7 Repeat steps 4 to 6 for other refrigerant lines.
- 8 After completing address setting of all systems, turn off DIP switch 2 of SW30 on the interface P.C. boards of all the header outdoor units connected to the same central control, except the unit that has the smallest address.  
(For unifying the termination of the wiring for the central control of indoor and outdoor units)
- 9 Connect the relay connectors between the [U1, U2] and [U3, U4] terminals of the header outdoor unit of each refrigerant line.



### 10 Set the central control address.

(For the setting of the central control address, refer to the installation manuals of the central control devices.)

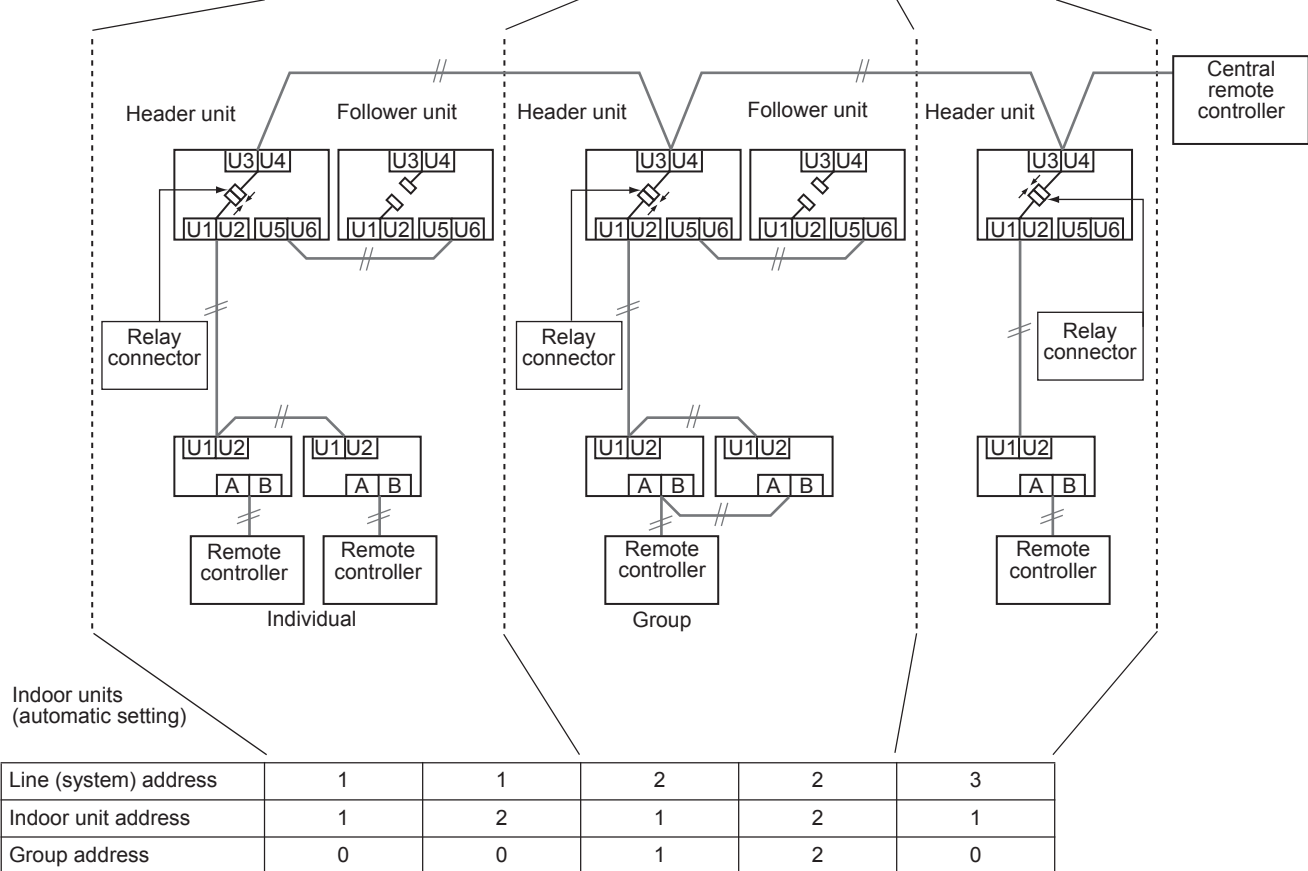
#### Header unit interface P.C. board



## Switch setting (setting example when controlling 2 or more refrigerant lines centrally) Outdoor units (setting manually)

\*The items in bold font must be set manually.

Outdoor unit's interface P.C. board	Header unit	Follower unit	Header unit	Follower unit	Header unit	Factory default
SW13, 14 (Line (system) address)	1	(No setting required)	2	(No setting required)	3	1
DIP switch 2 of SW30 (Terminator of indoor/ outdoor communication line and central control line)	ON	(No setting required)	<b>Set to OFF after setting addresses.</b>	(No setting required)	<b>Set to OFF after setting addresses.</b>	ON
Relay connector	<b>Connect after setting addresses.</b>	Open	<b>Connect after setting addresses.</b>	Open	<b>Connect after setting addresses.</b>	Open



### **CAUTION**

#### **Relay connector connection**

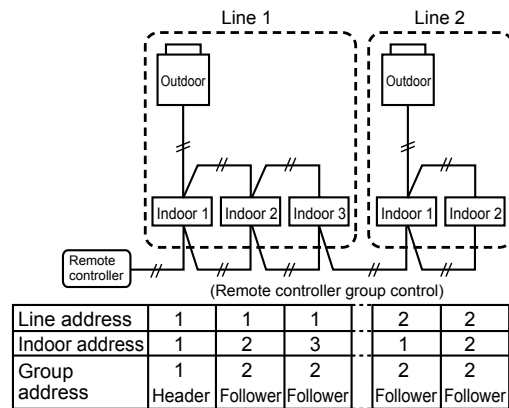
Never connect relay connectors between the [U1, U2] and [U3, U4] terminals before completing address setting of all the refrigerant lines. Otherwise, the addresses cannot be set correctly.

## Manual address setup from the remote controller

With indoor wiring work completed and outdoor wiring work not done—in cases where indoor unit addresses are decided in advance from the wired remote controller, or in cases where addresses are change after address setup.

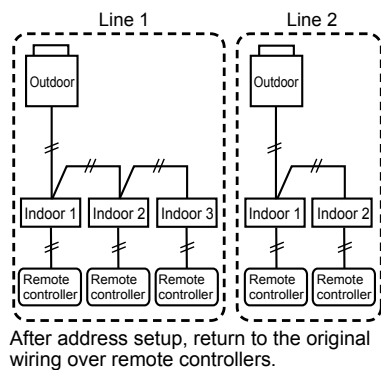
(Wiring example for 2 refrigerant lines)

(Note: The group control of more than two refrigerant systems is possible only when all the FS units are single port type.)



In the above example, where remote controllers are not yet wired, set the address manually after individually connecting the wired remote controller.

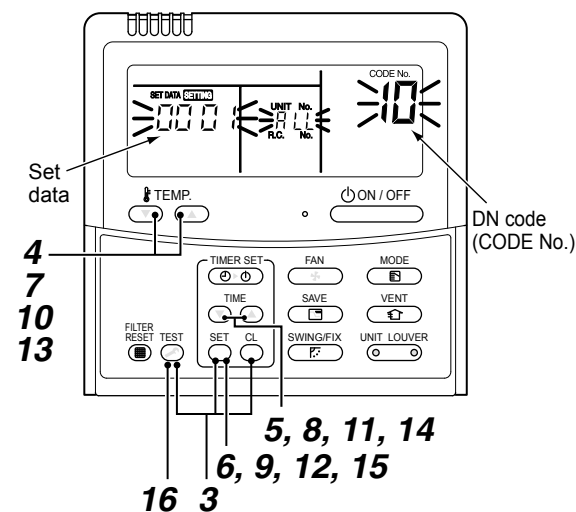
(Wiring during manual address setup)



### Group address

Individual: 0000  
 Header unit: 0001  
 Follower unit: 0002

In cases of remote controller group control



- 1 Arrange one indoor unit and one remote controller set to 1 by 1.
- 2 Turn on the power.
- 3 Push the **SET** + **CL** + **TEST** buttons simultaneously for 4 seconds or more.  
LCD begins blinking.

### ▼ (Refrigerant line address)

- 4 Using the **TEMP.** buttons, set the DN code to 12.
- 5 Using the **TIME** buttons, set up the line address (match it with the line address on the interface PC board of the header unit on the same refrigerant line).
- 6 Push the **SET** button (OK when the display goes on).

### ▼ (Indoor address)

- 7 Using the **TEMP.** buttons, set the DN code to 13.
- 8 Using the **TIME** buttons, set up the indoor address. (0001~0064)
- 9 Push the **SET** button (OK when the display goes on).

### ▼ (Group address)

- 10 Using the **TEMP.** buttons, set the DN code to 14.
- 11 Using the **TIME** buttons, set Individual = 0000, Header unit = 0001, Follower unit = 0002.
- 12 Push the **SET** button (OK when the display goes on).

### ▼ (Central control address)

- 13 Using the **TEMP.** buttons, set DN code to 03.
- 14 Using the **TIME** buttons, set up the central control address. (0001~0064)
- 15 Push **SET** button. (OK when display goes on).
- 16 Push the **TEST** button.  
Setup is finished ("Setting up" blinks; when "Setting up" goes off, operation is possible).
- 17 Return to the original wiring over remote controllers.



## NOTE

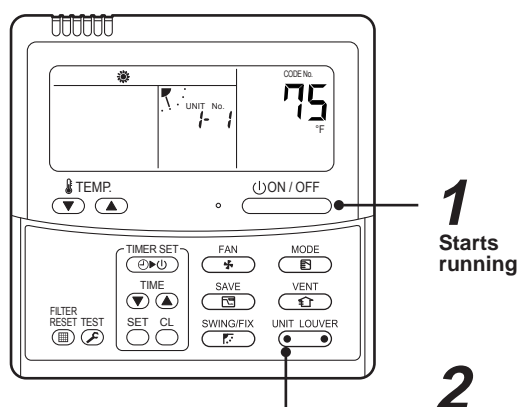
- (1) When setting the line address from the remote controller, do not use addresses 29 and 30.  
Addresses 29 and 30 cannot be set up on the outdoor unit. If they are incorrectly used, the code "E04" (indoor/outdoor communication circuit trouble) is output.
- (2) When manual address setup has been done from a remote controller, and central control over refrigerant lines is to be done, setup the header unit of each line as follows:
  - Using SW13 and SW14 on the interface PC board of the header unit of each line, setup the line address for each line.
  - Except for the line with the smallest line address number, set SW03-bit 2 to "off" for the interface PC board of the header unit of lines connected to the same central control (put the terminator resistor of the central control line, indoors and outdoors, into one).
  - Connect the relay connector between U1/U2 and U3/U4 of the header unit for each refrigerant line.
  - After that, set up the central control address. (For central control address setup, refer to the installation manual of the central control devices.)

## ■ Confirming the indoor unit addresses and the position of an indoor unit using the remote controller

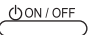
### ◆ Confirming the numbers and positions of indoor units

To see the indoor unit address of an indoor unit having location data

▼ When the unit is individual (the indoor unit is paired with a wired remote controller one-to-one), or it is a group-controlled one.






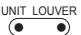



(Execute it while the units are running.)

- 1 Push the  button if the units stop.
- 2 Push the  button (left side of the button).



A unit numbers /- / is indicated on the LCD (it will disappear after a few seconds). The indicated number shows the system address and indoor unit address of the unit.

When 2 or more indoor units are connected to the remote controller (group-controlled units), a number of other connected units appears each time you push the  button (left side of the button).



- 1 Push and hold the TIME  and  buttons at the same time for more than 4 seconds.  
At first, the line 1 and CODE No.  (Address Change) are indicated on the LCD display. (Select an outdoor unit.)
- 2 Push the  (left side of the button) and  buttons repeatedly to select a system address.
- 3 Push the  button to confirm the system address selection.
  - The address of an indoor unit connected to the selected refrigerant line is indicated on the LCD display and its fan and louvers are activated.
- 4 Push the  button (left side of the button). Each time you push the button, the indoor unit numbers of the selected refrigerant line are indicated one after another.
  - Only the fan and louvers of the indicated indoor unit are activated.

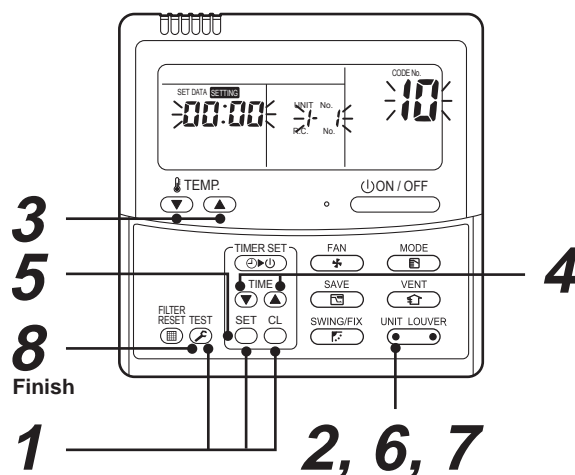
### ◆ To select another system address

- 5 Push the  button to return to step 2.
  - After returning to step 2, select another system address and check the indoor unit addresses of the line.
- 6 Push the  button to finish the procedure.


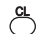





## ■ Changing the indoor unit address using a remote controller

To change an indoor unit address using a wired remote controller.

- ▼ The method to change the address of an individual indoor unit (the indoor unit is paired with a wired remote controller one-to-one), or an indoor unit in a group.  
(The method is available when the addresses have already been set automatically.)



(Execute it while the units are stopped.)

- 1 Push and hold the , , and  buttons at the same time for more than 4 seconds.  
(If 2 or more indoor units are controlled in a group, the first indicated UNIT No. is that of the head unit.)
- 2 Push the  button (left side of the button) repeatedly to select an indoor unit number to change if 2 or more units are controlled in a group. (The fan and louvers of the selected indoor unit are activated.)  
(The fan of the selected indoor unit is turned on.)
- 3 Push the TEMP.  /  buttons repeatedly to select  for CODE No..

- 4 Push the TIME (▼) / (▲) buttons repeatedly to change the value indicated in the SET DATA section to that you want.
- 5 Push the SET button.
- 6 Push the UNIT LOUVER button (left side of the button) repeatedly to select another indoor UNIT No. to change.  
Repeat steps 4 to 6 to change the indoor unit addresses so as to make each of them unique.
- 7 Push the UNIT LOUVER button (left side of the button) to check the changed addresses.
- 8 If the addresses have been changed correctly, push the TEST button to finish the procedure.

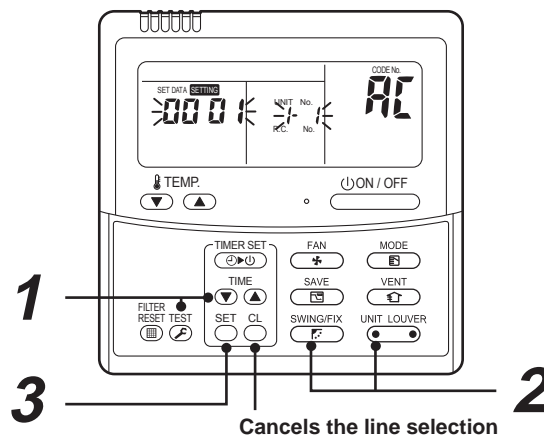
▼ To change all the indoor unit addresses using an arbitrary wired remote controller.  
(The method is available when the addresses have already been set automatically.)

(When communication wirings of 2 or more refrigerant lines are interconnected for central control)

#### NOTE

You can change the addresses of indoor units in each refrigerant line using an arbitrary wired remote controller.

\* Enter the address check/change mode and change the addresses.



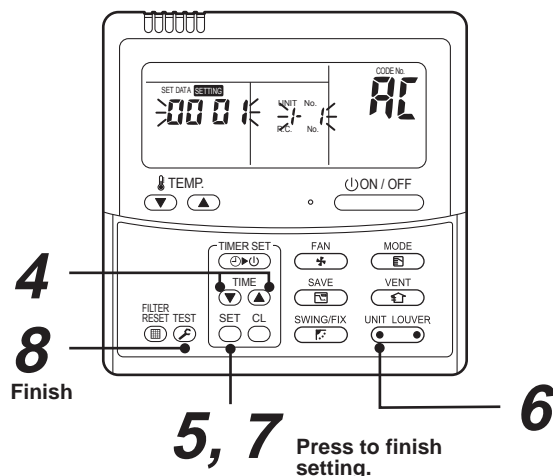
If no number appears on UNIT No., no outdoor unit exists on the line. Push the UNIT LOUVER button and select another line following step 2.

(Execute it while the units are stopped.)

- 1 Push and hold the TIME (▼) and TEST buttons at the same time for more than 4 seconds.  
At first, the line 1 and CODE No. AL (Address Change) are indicated on the LCD display.
- 2 Push the UNIT LOUVER button (left side of the button) and the SWING/FIX button repeatedly to select a system address.

### 3 Push the button.

- The address of one of the indoor units connected to the selected refrigerant line is indicated on the LCD display and the fan and louvers of the unit are activated.  
At first, the current indoor unit address is displayed in SET DATA.  
(No system address is indicated.)



### 4 Push the TIME / buttons repeatedly to change the value of the indoor unit address in SET DATA.

Change the value in SET DATA to that of a new address.

### 5 Push the button to confirm the new address on SET DATA.

### 6 Push the button (left side of the button) repeatedly to select another address to change.

Each time you push the button, the indoor unit numbers in a refrigerant line are indicated one after another. Only the fan and louvers of the selected indoor unit are activated.

Repeat steps 4 to 6 to change the indoor unit addresses so as to make each of them unique.

### 7 Push the button.

(All the segments on the LCD display light up.)

### 8 Push the button to finish the procedure.

## ■ Resetting the address (Resetting to the factory default (address undecided))

### Method 1

Clearing each address separately using a wired remote controller.

Set the system address, indoor unit address and group address to "0099" using a wired remote controller.  
(For the setting procedure, refer to the address setting procedures using the wired remote controller on the previous pages.)

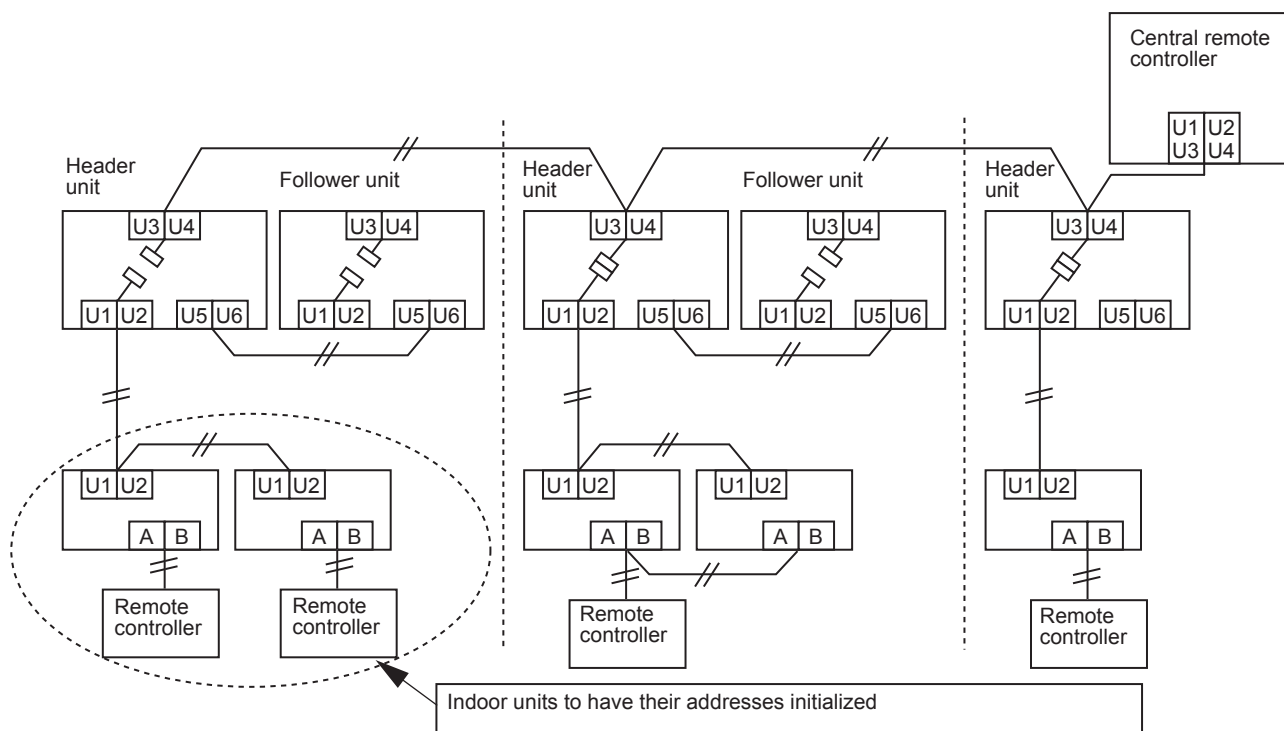
### Method 2

Clearing all the indoor unit addresses on a refrigerate line at once from the outdoor unit.

### 1 Turn off the refrigerant line to reset to the factory default and set the header outdoor unit of the line as below.

- 1) Disconnect the relay connectors between the [U1, U2] and [U3, U4] terminals.  
(Leave them as they are if they have already been disconnected.)

- 2) Turn on DIP switch 2 of SW30 on the interface P.C. board of the header outdoor unit if the switch is OFF. (Leave it as it is if it has already been set to ON.)



- 2** Turn on the indoor and outdoor units of the refrigerant line to be initialized in addresses. About one minute after turning on the power, confirm that the 7-segment display on the header outdoor unit indicates “U.1. - - -” and operate the interface P.C. board on the header outdoor unit of the refrigerant line as follows.

SW01	SW02	SW03	SW04	Clearable addresses
2	1	2	Confirm that the 7-segment display indicates “A.d.buS” and turn SW04 ON for more than five seconds.	System/indoor unit/group address
2	2	2	Confirm that the 7-segment display indicates “A.d.nEt” and turn SW04 ON for more than five seconds.	Central control address

- 3** Confirm that the 7-segment display indicates “A.d. c.L.” and set SW01, SW02 and SW03 to 1, 1, 1 respectively.

- 4** After a time “U.1.L08” appears on the 7-segment display if the address clearing has been completed successfully. If the 7-segment display indicates “A.d. n.G.”, the outdoor unit may still be connected with other refrigerant lines. Check the connection of the relay connectors between [U1, U2] and [U3, U4].

**NOTE**

Take care to carry out the procedure above correctly; otherwise, addresses in other refrigerate lines may also be cleared.

- 5** Set the addresses again after finishing the clearance.

## ■ In the case of an increase in address-undefined indoor units (extension, etc.)

To set up the indoor address of a unit with an address that is undefined due to the extension of indoor units or replacement of PC board, etc., follow the methods below.

### Method 1

Set up an address individually from a wired remote controller.

(Line address, Indoor address, Group address, Central address)

For the setup method, refer to “Manual address setup from the remote controller.” above.

### Method 2

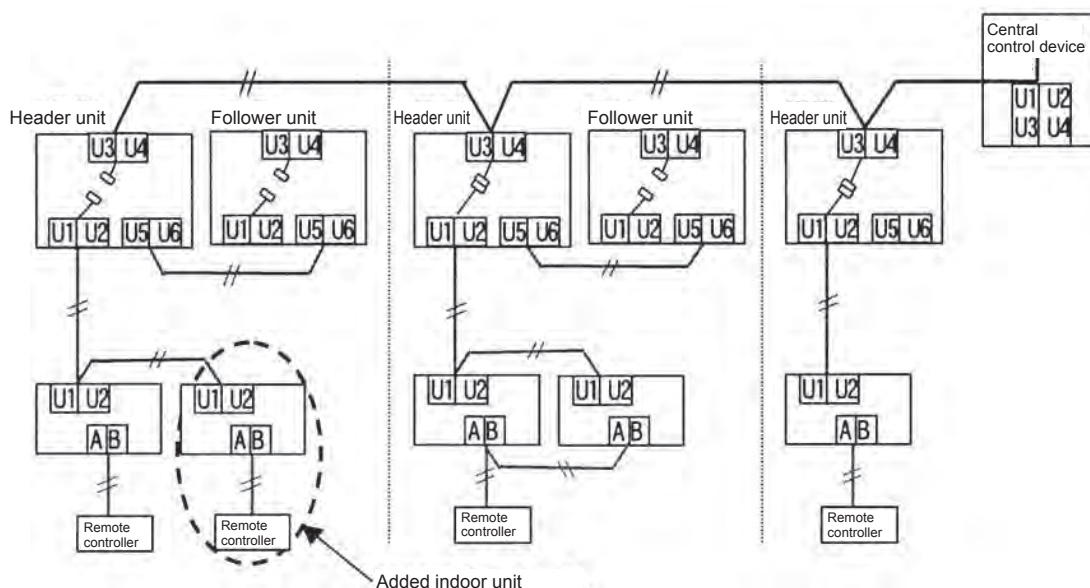
Set up an address from the outdoor unit.

- \* Leave the addresses of the units for which addresses have already been set up as they are. Set up an address only for the unit where the address is undefined.
- Addresses are allocated from lower numbers.

### Setup procedure

Set up the outdoor header units in the refrigerant line to which indoor units have been added, as follows.

- 1 Disconnect the relay connector between U1/U2 and U3/U4.**
- 2 If it is off, turn on SW30-bit 2 on the interface PC board at outdoor header unit side.**  
\*Turn off the power, and then execute the operation.



- 3 Turn on the indoor/outdoor power for the refrigerant line for which an address is to be set up. After approximately 1 minute, check that “U.1. - - -” is displayed on the 7-segment display.**
- 4 Execute the following operation on the interface PC board of the header unit.**

SW01	SW02	SW03	SW04
2	14	2	After checking that “In.At” is displayed on the 7-segment display, push SW04 for 5 seconds or more.

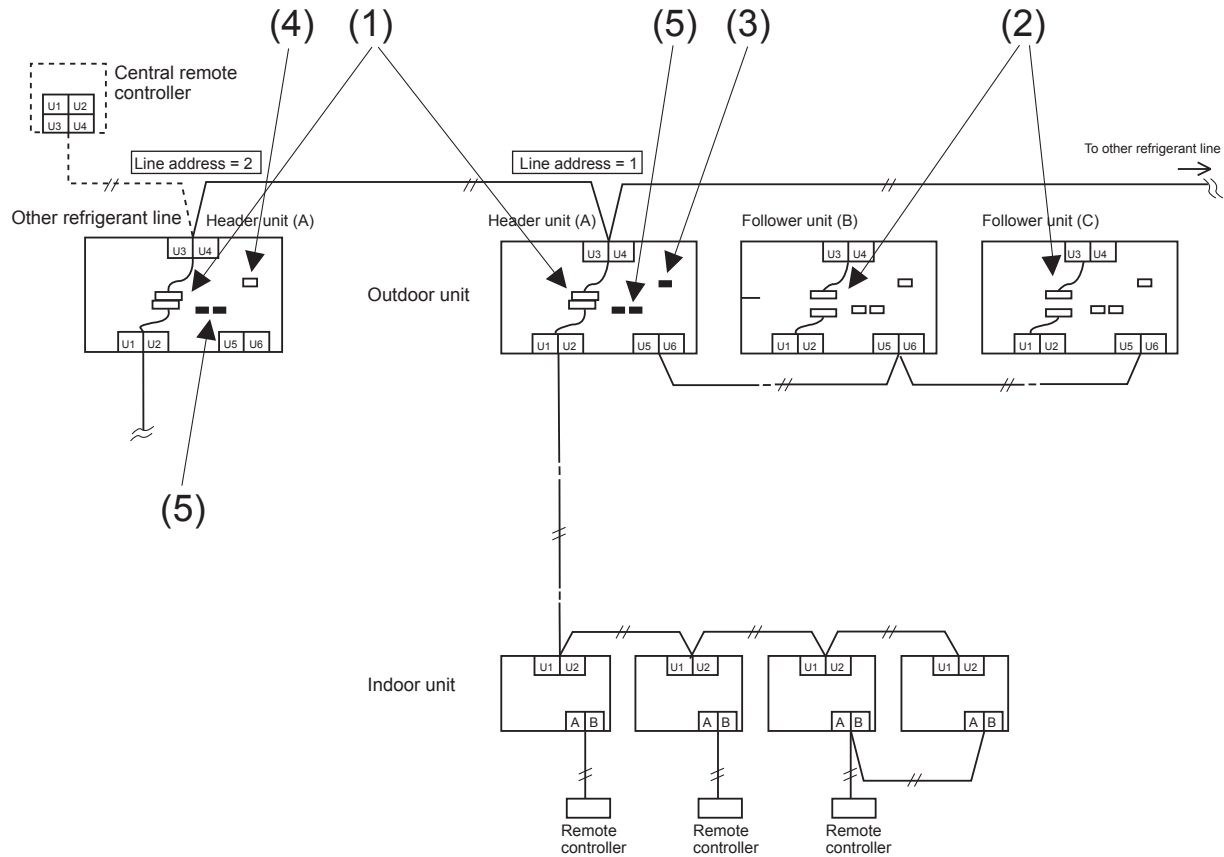
“AUTO1” → “AUTO2” → “AUTO3” → ... → “AUTO9” ... is counted and displayed on the 7-segment display.

- 5 When “U.1. - - -” is displayed on the 7-segment display, the setup operation finished.**  
Turn off the indoor/outdoor power.
- 6 Return to the following setup as before.**
  - Relay connector
  - SW30-bit 2
  - SW01, SW02, SW03



## 8-4-4. Check after Address Setup when Central Control System Is Connected

When the central control system is connected, check that the following setup has finished after address setup.



	Main check items	Check
Relay connector	(1) Is the relay connector of the header unit connected after address setup?	
	(2) Is the relay connector of the follower unit disconnect?	
Terminator resistor	(3) Is the terminator resistor (SW30-bit 2) of the header unit with the smallest line address number in the central control turned on? (Setup is unnecessary for follower units.)	
	(4) Is the terminator resistor (SW30-bit 2) of the header units, except for the line with the smallest central control line address, turned off? (Setup is unnecessary for follower units.)	
Line address	(5) Are addresses in the line address (SW13, SW14) not duplicated in each refrigerant line?	

### NOTE

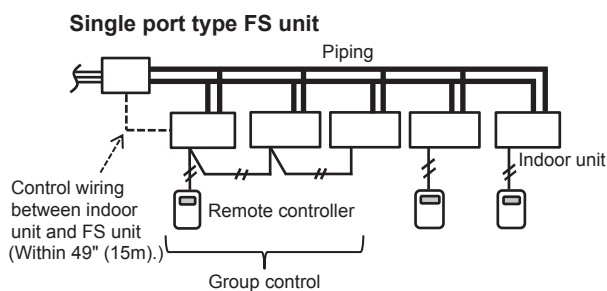
The figure above does not show all the electric wires.

For details, refer to the installation manuals for the outdoor unit, indoor unit, remote controller, or optional devices.

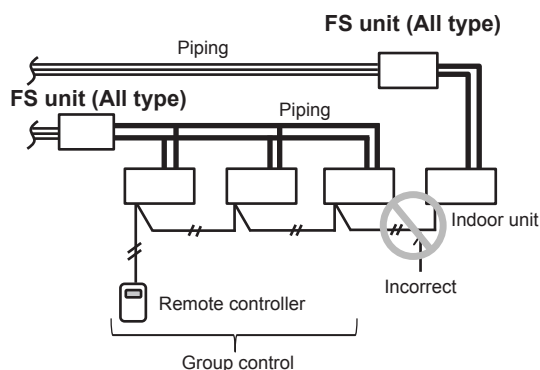
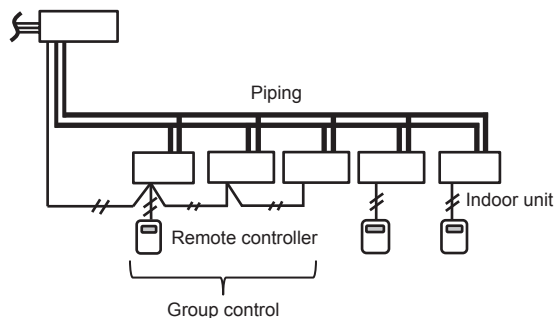
## 8-4-5. Setting when connecting multiple indoor indoor units to a FS (Flow Selector) unit

### ◆ Cautions to connection of indoor unit

- When connecting the indoor units to each type of FS unit and a branch of the multi port type FS unit, it is necessary to set up the CODE No..  
Be sure to set up the CODE No. after setup of address.
- When connecting the indoor units to each type of FS unit and a branch of the multi port type FS unit, it is possible to connect with multiple groups and connect individually.
- The distance between single port FS unit and the indoor unit must be within 49" (15 m).

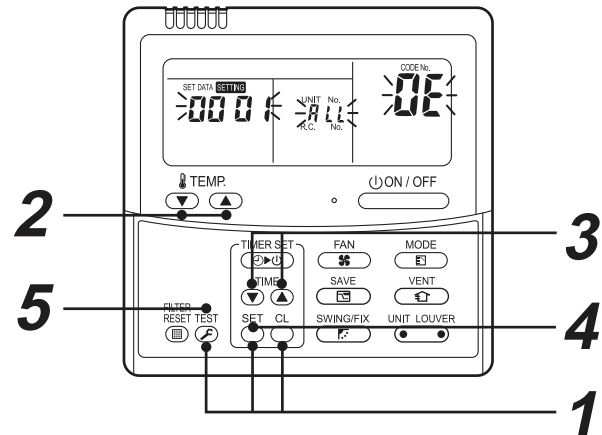


Multi port type FS unit, Single port type FS unit (Long piping model)



### ◆ How to set up CODE No. [ 0E ]

It is necessary to set up in case of the group connection.



- 1 Push and hold the SET, CL, and TEST buttons at the same time for more than 4 seconds.**
  - ALL is displayed in the UNIT No. window.
  - In this time, the fans of all the indoor units in the group control start the fan operation.
- 2 Using the set temperature buttons (▼) / (▲), select the CODE No. "0E".**
- 3 Change SET DATA to "0/" by the timer buttons (▼) / (▲).**
- 4 Push SET button.**
- 5 Push TEST button. Then the setup finished.**

### ◆ How to set up CODE No. [ 14 ]

It is necessary to set up group address in case of the group control.

- 0 : Individual
- 1 : Header unit
- 2 : Follower unit

### ◆ How to set up CODE No. [ FE ]

In cases other than connecting one branching in one branching, it is necessary to set up.

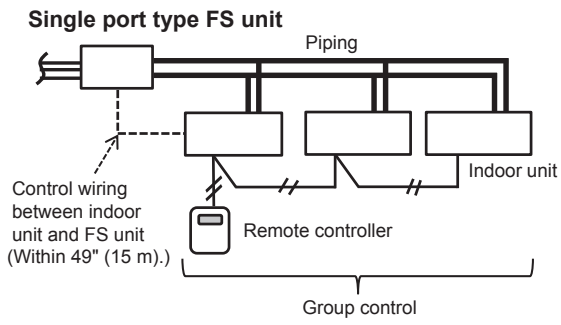
- As for both single port type and multi port type, set up CODE No. "FE" in one branching within the range of 1~64.  
This CODE No. should not be duplicate in one system.

### ◆ How to set up CODE No. [ FD ]

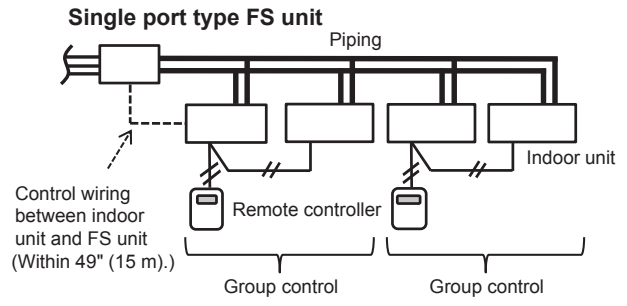
In cases other than connecting with one group in one branching, it is necessary to set up.

- 0 : Heating prioritized (Factory default)
- 1 : Cooling prioritized

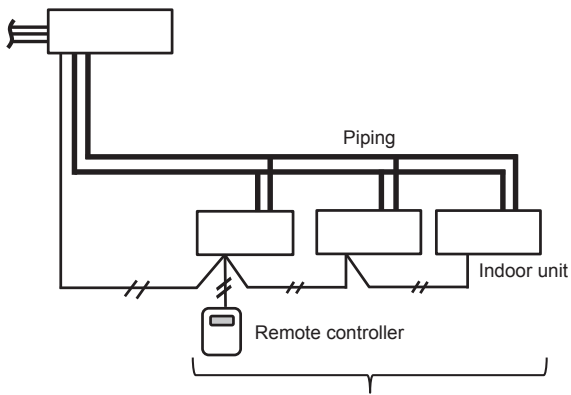
▼ Case that FE/FD setting is not necessary



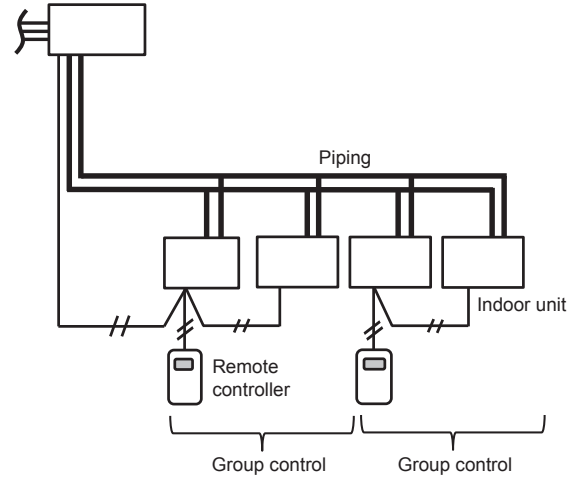
▼ Case that FE/FD setting is not necessary



**Multi port type FS unit, Single port type FS unit (Long piping model)**



**Multi port type FS unit, Single port type FS unit (Long piping model)**



## ◆ [ Set up example ]

### [ 0E ] : Group setting

- 0 : Individual (Factory default)
- 1 : Group

### [ 14 ] : Group Address

- 0 : Individual
- 1 : Header unit
- 2 : Follower unit

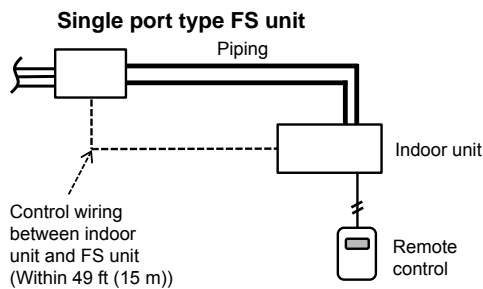
### [ FE ] : Branching system address (1~64)

- Should not be duplicate in one system
- Factory default : 99

### [ FD ] : Priority operation mode

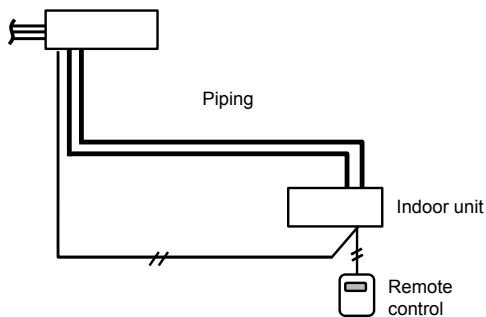
- 0 : Heating prioritized (Factory default)
- 1 : Cooling prioritized (The cooling is prioritized even if setting only one unit in one branching)

### < In case of connecting one indoor unit >



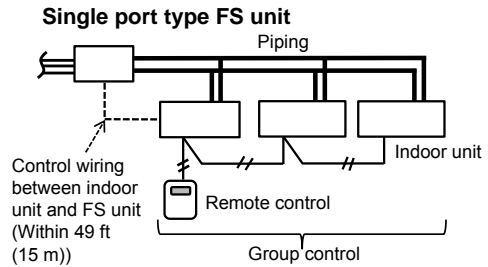
- [ 0E ] : It is not necessary to set up
- [ 14 ] : It is not necessary to set up
- [ FE ] : It is not necessary to set up
- [ FD ] : It is not necessary to set up

### Multi port type FS unit, Single port type FS unit (Long piping model)



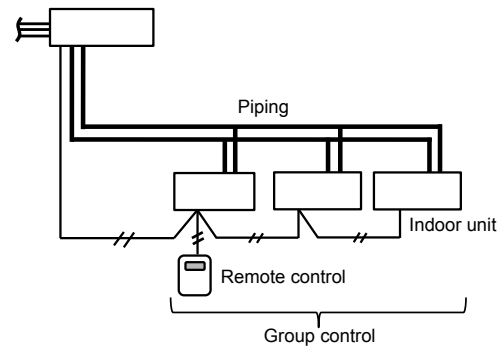
- [ 0E ] : It is not necessary to set up
- [ 14 ] : It is not necessary to set up
- [ FE ] : It is not necessary to set up
- [ FD ] : It is not necessary to set up

### <In case of connecting one group operation of indoor units >



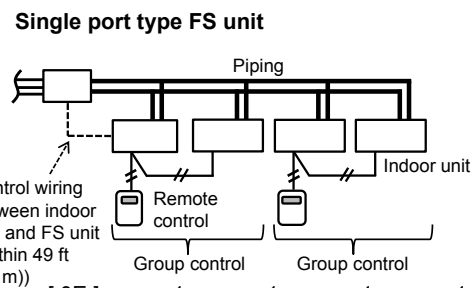
- [ 0E ] : 1 1 1
- [ 14 ] : 1 2 2
- [ FE ] : It is not necessary to set up
- [ FD ] : It is not necessary to set up

### Multi port type FS unit, Single port type FS unit (Long piping model)



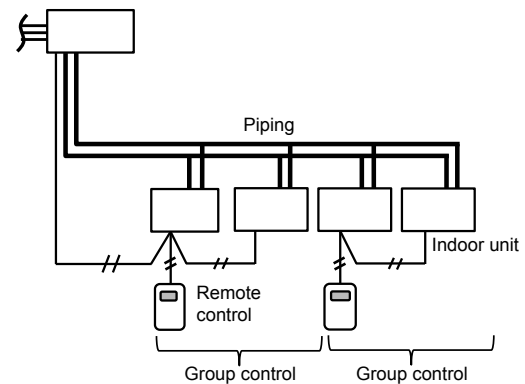
- [ 0E ] : 1 1 1
- [ 14 ] : 1 2 2
- [ FE ] : It is not necessary to set up
- [ FD ] : It is not necessary to set up

### <In case of connecting two group operations of indoor units >



- [ 0E ] : 1 1 1 1
- [ 14 ] : 1 2 1 2
- [ FE ] : 1 1 1 1
- [ FD ] : 0 0 0 0

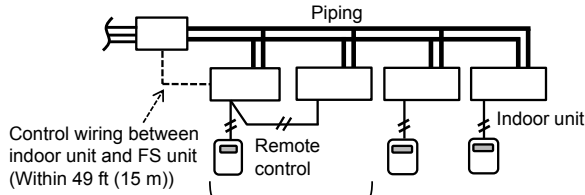
### Multi port type FS unit, Single port type FS unit (Long piping model)



- [ 0E ] : 1 1 1 1
- [ 14 ] : 1 2 1 2
- [ FE ] : 1 1 1 1
- [ FD ] : 0 0 0 0

**<In case of connecting one group operation of indoor units and two indoor units>**

**Single port type FS unit**

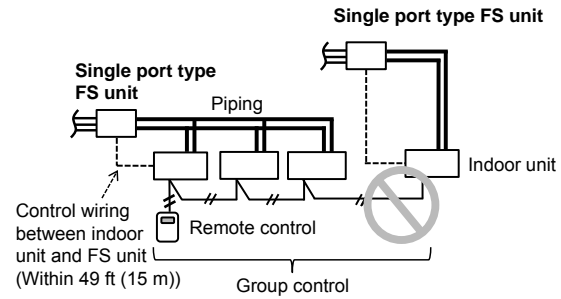


Group control

[ 0E ] :	1	1	0	0
[ 14 ] :	1	2	0	0
[ FE ] :	1	1	1	1
[ FD ] :	0	0	0	0

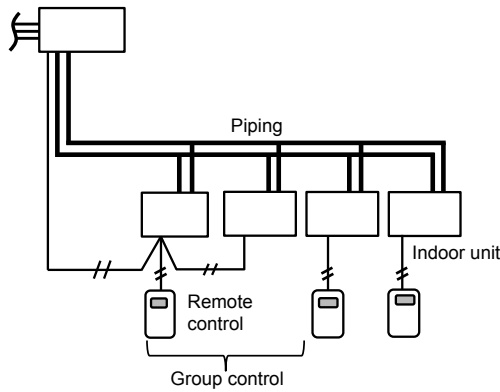
**<Incorrect connection examples>**

**Incorrect**



**Incorrect**

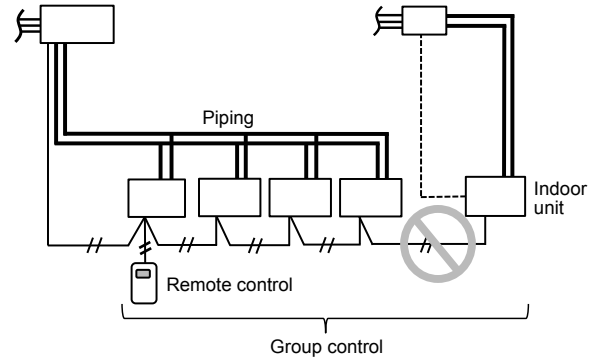
**Multi port type FS unit, Single port type FS unit (Long piping model)**



Group control

[ 0E ] :	1	1	0	0
[ 14 ] :	1	2	0	0
[ FE ] :	1	1	1	1
[ FD ] :	0	0	0	0

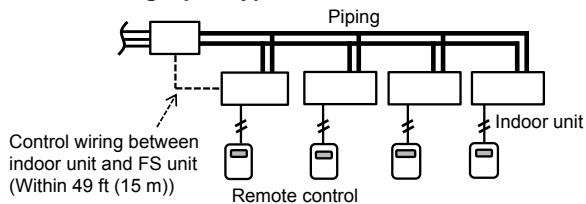
**Multi port type FS unit, Single port type FS unit (Long piping model)**



**Incorrect**

**<In case of connecting four indoor units>**

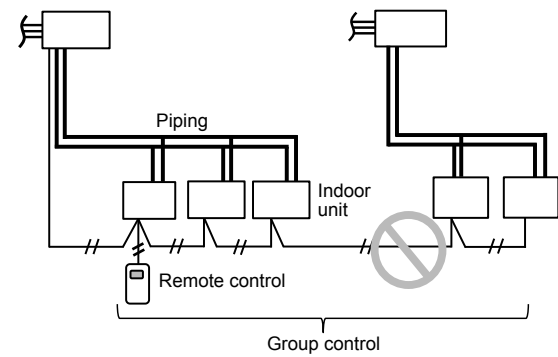
**Single port type FS unit**



Group control

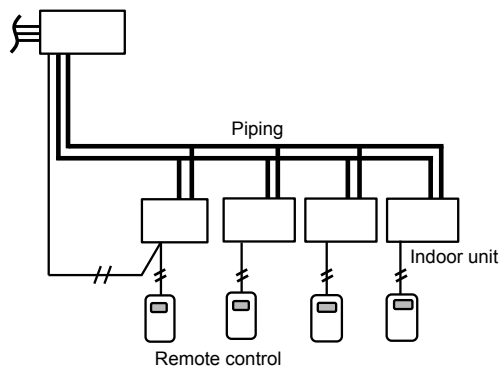
[ 0E ] :	0	0	0	0
[ 14 ] :	0	0	0	0
[ FE ] :	1	1	1	1
[ FD ] :	0	0	0	0

**Multi port type FS unit, Single port type FS unit (Long piping model)**



**Incorrect**

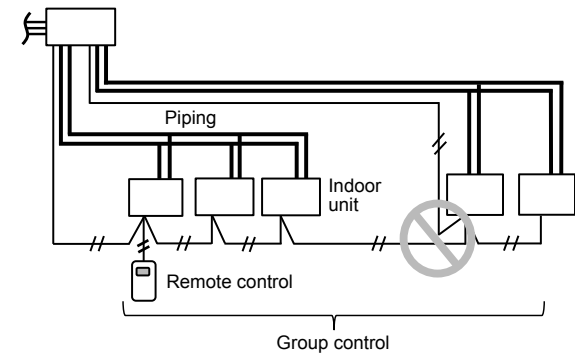
**Multi port type FS unit, Single port type FS unit (Long piping model)**



Group control

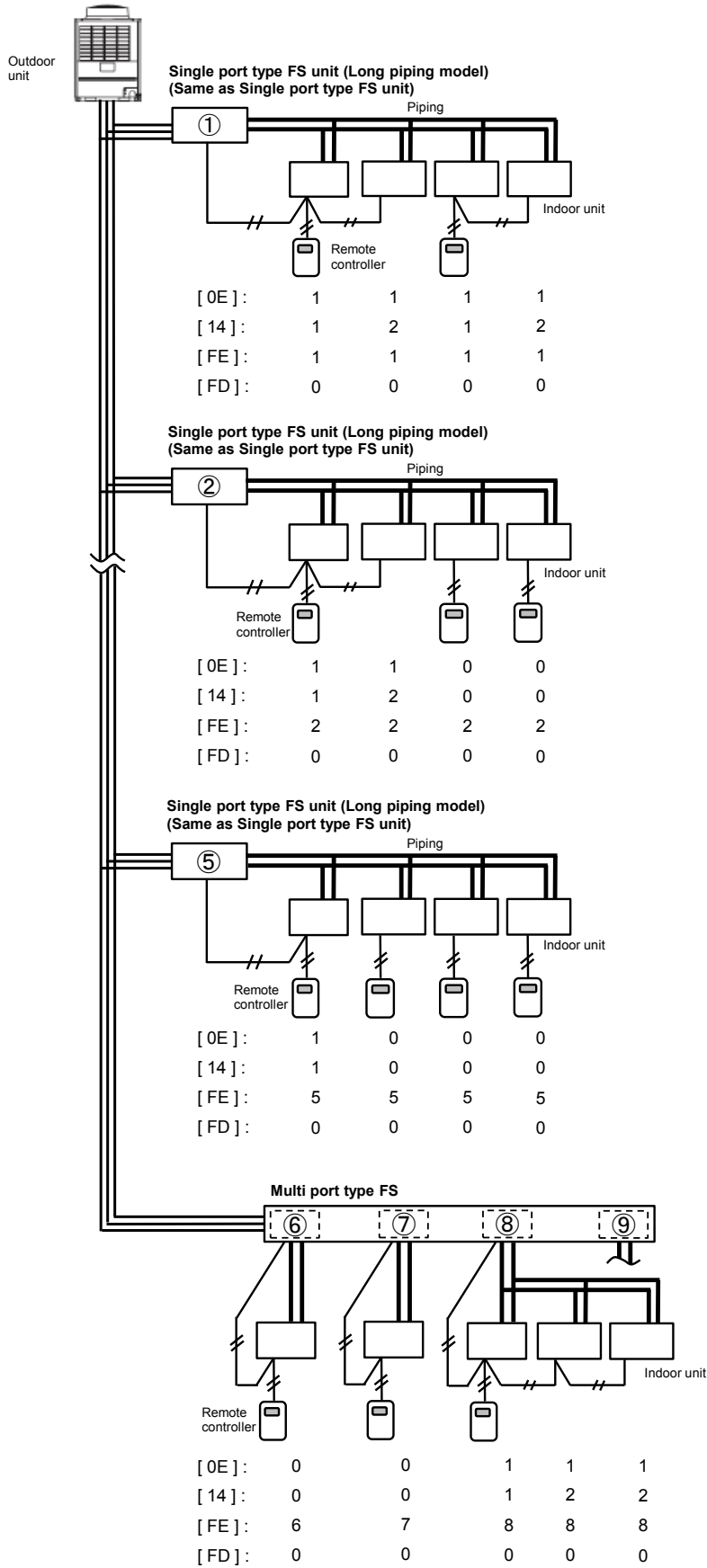
[ 0E ] :	0	0	0	0
[ 14 ] :	0	0	0	0
[ FE ] :	1	1	1	1
[ FD ] :	0	0	0	0

**Multi port type FS unit**



**Group control**

<In case of two or more branching system of FS units>



## 8-4-6. How to set up the cooling only indoor unit

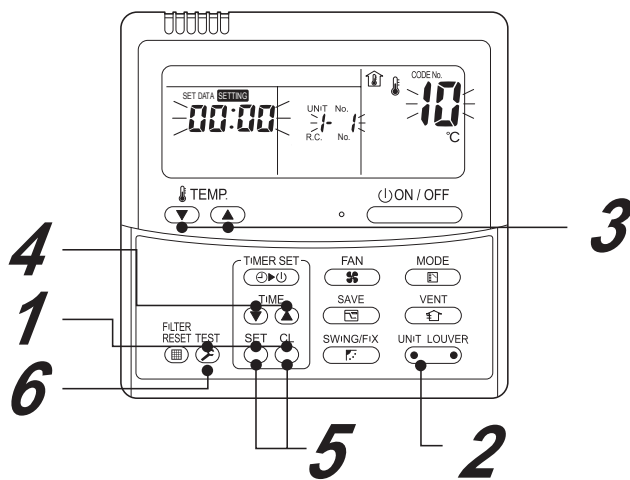
When setting the specific indoor unit to Cooling Only unit without connecting to the flow selector unit, setup to the indoor unit to become the Cooling Only unit is necessary. Perform setup in the following procedure.

Setup to the indoor unit is performed by handling the wired remote controller.

Even if a wired remote controller is not used, attach a wired remote controller for setup.

Change the setup with the wired remote controller before using the air conditioner with a wireless remote controller.

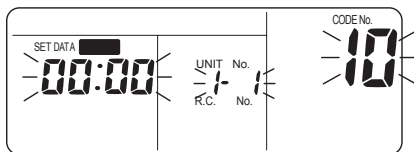
Change the setup during stop of the operation.  
(Be sure to stop operation of the air conditioner.)



**1** When pushing **SET** + **CL** + **TEST** buttons simultaneously for 4 seconds or more, after a while, the display part flashes as shown in the figure.

Check that the displayed CODE No. is [10].

- If the CODE No. indicates one other than [10], push **TEST** button to erase the display, and then retry the operation from the first step.  
(After pushing **TEST** button, the operation of remote controller cannot be accepted after a while.)

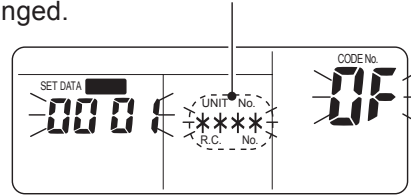


(\* The display changes according to the indoor unit model.)

**2** In a group control, the firstly displayed indoor unit No. becomes the header unit.

Every pushing **UNIT LOUVER** button (left side of the button), the indoor unit No. in the group control is displayed successively.

Select an indoor unit of which setting is to be changed.



In this time, the position of the indoor unit of which setup is to be changed can be confirmed because the fan and louver of the selected indoor unit work.

**3** Use **▼** or **▲** buttons of the set temperature to specify the CODE No. [0F].

**4** Use **▼** or **▲** buttons of the timer time to select the setup data [0001].

SET DATA	0000	0001
Cooling Only setup	Heat pump	Cooling Only

**5** Push **SET** button. In this time, if the display changes from flashing to lighting, the setup completes.

- To change the setup of an indoor unit other than the selected one, start operation from Procedure **2**.
- In a group control, setup change of all the indoor units in a group is necessary. To change the setup of the set other than the selected one, start again operation from Procedure **2**.

### ⚠ CAUTION

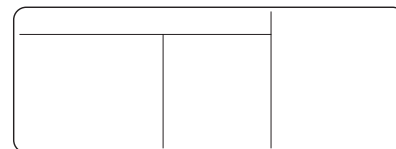
**Cooling Only and Heat pump cannot exist in the same group.**

- Pushing **CL** button clears the set up contents which have been already set.  
In this case, retry from Procedure **2**.

**6** When the setup finished, push **TEST** button. (The setup is determined.)

Pushing **TEST** button deletes the display and returns to normal stop status.

(For some time after **TEST** button has been pushed, the operation of the remote controller cannot be accepted.)

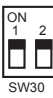




## 8-5. Troubleshooting in Test Operation

If there are phenomena such as the output of a check code or the remote controller is not accepted when powered-on after wiring work or during address setup operation, the following causes are considered.

### 8-5-1. A Check Code is Displayed on the Remote Controller

Check the code displayed on the indoor remote controller	Header unit 7-segment display	Cause	Countermeasures
E04	–	When outdoor power is off	Check that the header outdoor unit power is on
	L08	Address setup trouble <ul style="list-style-type: none"> <li>Only line addresses of the connected indoor units are undefined.</li> <li>The outdoor line address and the line addresses of all the indoor units do not match.</li> <li>The indoor addresses are duplicated. (Units except those displaying E04 are duplicated.)</li> <li>A header unit is not set up in group control (except groups displaying E04).</li> </ul>	Set up the address again.
	E08 ↔ -XX Alternate blinking	Duplication of indoor addresses (address number in the subcode of the check code are duplicated).	Set up the address again.
	E07	There is no outdoor terminator resistor or there are two or more terminator resistor. (After address setup, when terminator resistor setup is changed after powering-on)  SW30	Check SW30 bit 2 of the header unit. No connection between multiple refrigerant lines: SW30 bit 2 is on. Connection between multiple refrigerant lines: SW30 bit 2 of the connected header unit is turned on only for one line.
		Transmission circuit trouble at the interface side (PC board failure)	Replace the interface PC board.
	E06	After address setup, communication from all the indoor units is interrupted under the condition that a normal operation can be performed.	Check and correct disconnection of the indoor/outdoor communication line (the communication line between the header unit and the leading indoor unit). Check for the influence of communication noise.
E16	E16 ↔ -XX Alternate blinking	Exceeded the number or capacity of connected indoor units	Adjust the number or capacity of connected indoor units.
E17	–	Communication trouble between indoor unit(s) and FS unit(s).	<ul style="list-style-type: none"> <li>Check order in which power was turned on.</li> <li>Check indoor unit(s)-FS unit(s) cable</li> </ul>
E23	E23	Communication between outdoor units has stopped.	<ul style="list-style-type: none"> <li>Check order in which power was turned on.</li> <li>Check indoor unit(s)-FS unit(s) cable</li> </ul>
E25	E25	Duplication of outdoor addresses (only when an outdoor address was manually set up)	Do not use manual setup for outdoor addresses.
E26	E26 ↔ -XX Alternate blinking	Number of connected outdoor units has decreased. <ul style="list-style-type: none"> <li>When installing an outdoor backup</li> <li>The power of a follower unit is not turned on.</li> </ul>	Correction of the cause of trouble occurrence <ul style="list-style-type: none"> <li>If it occurs when installing a backup, clear the trouble after setup finishes.</li> <li>If the power of a follower unit is not turned on, turn on the power.</li> </ul>
L04	L04	Duplication of outdoor line addresses <ul style="list-style-type: none"> <li>Line address setup trouble (occurred after connection between U1/U2 and U3/U4 connectors)</li> </ul>	Modify the line address setup of the header unit between lines. (Set up SW13 and SW14 on the interface PC board.)
L05(*)	L06	Duplication of indoor units with priority	Set up priority only for one indoor unit.
L06(*)		There are two or more indoor units set up with priority.	Among indoor units indicating "L05," set one unit with priority.
L08	L08	Address setup trouble <ul style="list-style-type: none"> <li>Only indoor addresses of all the connected indoor units are undefined.</li> </ul>	Set up the addresses again. Modify the setup.
L12	L12	01:FS unit(s) installation trouble	Set up only Multi port type and single port type (Long piping model) FS unit(s) to 36 ton or more system
L24	E24 ↔ -XX Alternate blinking	01:Duplication of FS units address 02:Indoor units operation mode priority setting	<ul style="list-style-type: none"> <li>Check FS units address</li> <li>Check indoor units operation mode priority setting</li> </ul>

\* "L05": Displayed on the indoor unit set up with priority

"L06": Displayed on the indoor units except the one set up with priority

### 8-5-2. Operation from the indoor remote controller is not accepted, and a check code is displayed on the 7-segment display of the interface PC board of the header unit.

Indoor remote controller status	Header unit 7-segment display	Cause	Countermeasures
No response	L08	Line addresses and indoor addresses of all the connected indoor units are not set.	Set up addresses.
		There is no header unit of group control.	Set up a group address.
	E19 ⇔ -00 Alternate blinking	Indoor unit power is not turned on.	Turn on the power again. (In the order: indoor → outdoor)
		Indoor/outdoor communication line is not correctly connected to the U1/U2 terminal of the header unit ( Fig. 1). (Indoor/outdoor cannot communicate before address setup.)	Correct wiring
		There is no of outdoor terminator resistor, or there are two or more resistances (before address setup).	Check SW30 bit 2 of the header unit. No connection between multiple refrigerant lines: SW30 bit 2 is on. Connection between multiple refrigerant lines: SW30 bit 2 of the connected header unit is turned on only for one line.
	E19 ⇔ -02 Alternate blinking	When connecting an indoor/outdoor communication line between outdoor units under the condition of a connected communication line between outdoor units ( Fig. 2).	Correct wiring
		SW08 setup trouble	Turn all SW08 switches to "off."
	E20 ⇔ -01 Alternate blinking	Address setup is performed with connecting an indoor/outdoor communication line between outdoor units ( Fig. 3).	Correct wiring
Address setup is performed under the condition of connecting multiple refrigerant lines ( Fig. 3).		Correct wiring	



### 8-5-3. There is no display of a check code on the 7-segment display on the interface PC board of the header unit, although there is indoor unit that is not accepting operation from the indoor remote controller.

Indoor remote controller status	Header unit 7-segment display	Cause	Countermeasures
No response	None	The communication line is not connected between indoor and outdoor (the unit that does not respond to the indoor remote controller).	Improve the wiring.
		Line address and indoor address are not set (the unit that does not respond to the indoor remote controller).	Set up the address.
		The power of the header unit of the group is not turned on in indoor group control (the unit that does not respond to the indoor remote controller).	Turn on the power.
		Group address is set to the follower unit for individual control (the unit that does not respond to the indoor remote controller).	Set the group address to "0" in the case of individual control.
No display on the indoor remote controller (no line is output.)	None	The power is not turned on (the unit that is not displayed on the indoor remote controller).	Turn on the power.
		The indoor remote controller is not connected with a wire (the unit that is not displayed on the indoor remote controller).	Improve the wiring.
		Miswiring of the indoor remote controller (the unit that is not displayed on the indoor remote controller)	Improve the wiring.
		Indoor remote controller communication circuit trouble (the unit that is not displayed on the indoor remote controller) If 208/230V is incorrectly applied to the indoor remote controller terminal, the remote controller communication circuit fails.	Remove the quick connect terminal connected to indoor remote controller terminals A/B, and check the voltage. If voltage is not applied (normally 15 to 18 V), replace the PC board.

**8-5-4. In checking the number of connected outdoor units and connected indoor units after address setup, a lower number of connected units is displayed. (There are outdoor/indoor units that do not operate in a test operation.)**

Status	Cause	Countermeasures
The number of connected outdoor units is too few.	Miswiring of communication lines between outdoor units or an unconnected wire ( Fig. 4). (Address setup operation finished without recognizing a miswired follower unit.)	After improvement of wiring, set up the addresses again and check the number of connected outdoor units.
The number of connected indoor units is too few.	Miswiring of communication lines between indoor units or an unconnected wire ( Fig. 5). (Address setup operation finished without recognizing a miswired indoor unit.)	After modification of wiring, set up the addresses again and check the number of connected indoor units.
The number of indoor units connected to a group is too few in group operation from an indoor remote controller.	The indoor remote controller is not connected with wire. Miswiring of the indoor remote controller	Using the main indoor remote controller connected to a group, start a test operation, specify the unit that is not operating (the unit not connected to the group), and then check the wiring.
	Indoor remote controller communication circuit trouble If 220-240 V is incorrectly applied to the remote controller terminal, the remote controller communication circuit fails.	Using the main indoor remote controller connected to a group, start a test operation and then specify the unit that is not operating (the unit not connected to the group). Remove the quick connect terminal connected to remote controller terminals A/B, and check the voltage. If voltage is not applied (normally 15 to 18 V), replace the PC board.

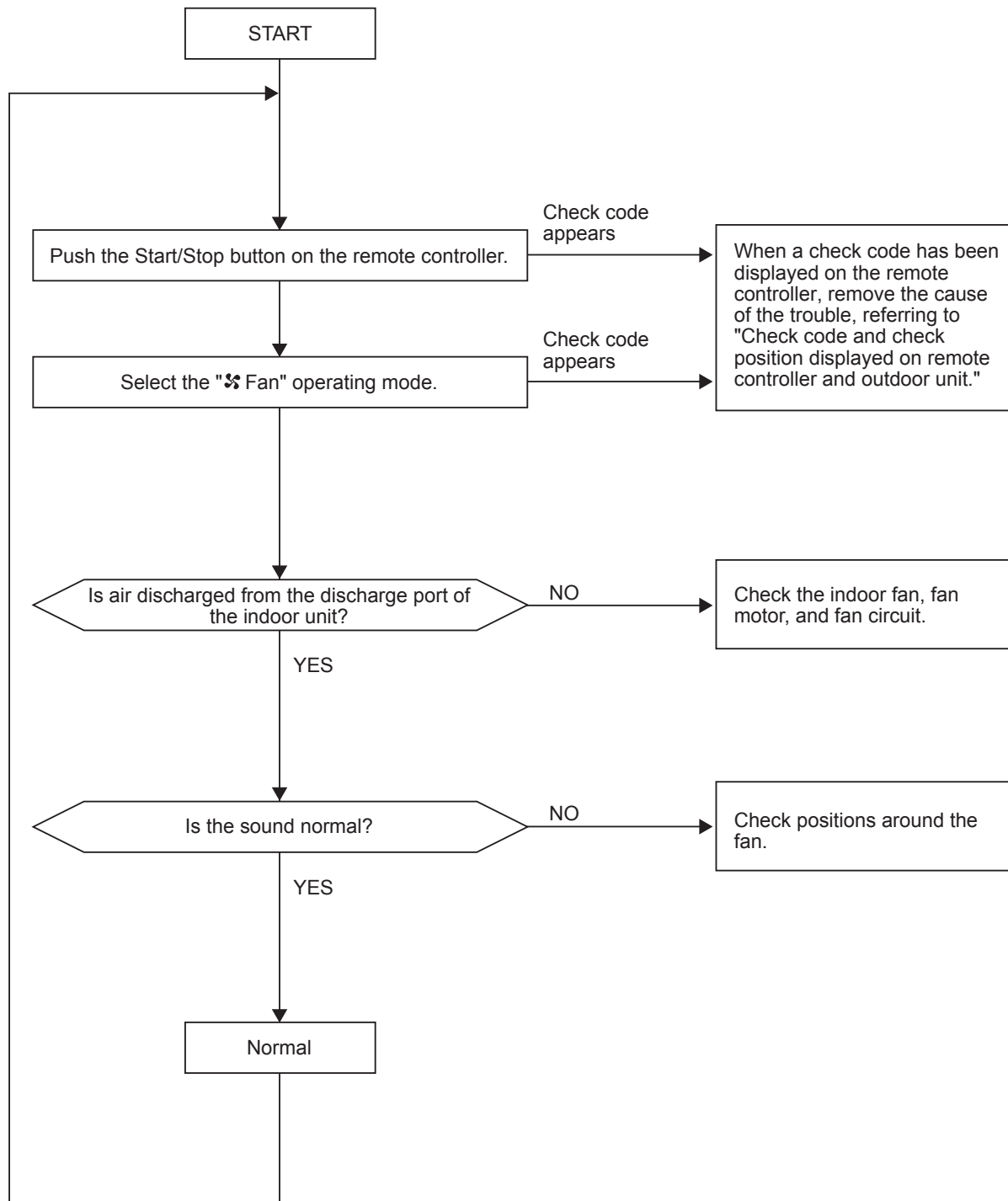
### Miswiring example

Figure	Remote controller status	Header unit 7-segment display	Miswiring example
Fig. 1	No response	E19-00	
Fig. 2	No response	E19-02	
Fig. 3	No response	E20-01	

Figure	Status	Miswiring example
Fig. 4	The number of connected outdoor units is too few.	
Fig. 5	The number of connected indoor units is too few.	

## 8-6. Test Operation Check

### 8-6-1. Fan Check



Check every indoor unit in turn.

## 8-6-2. Cooling/heating Test Operation Check

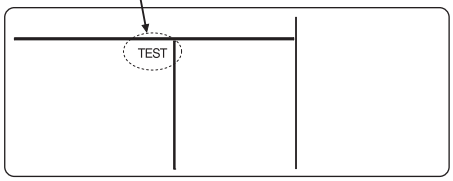
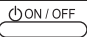
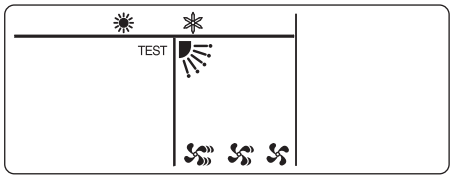
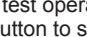
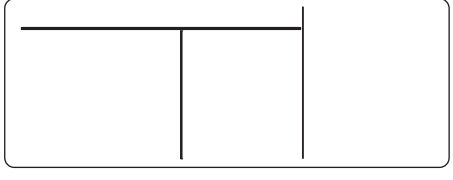
The cooling/heating test operation check can be performed on both the indoor remote control and the outdoor header unit interface PC board.

### (1) Test operation start/stop operation

Test operation from the indoor remote control

- Wired remote control: Refer to the items below in “Test operation” of the wired remote control.
- Wireless remote control: Refer to the items below in “Test operation” of the wireless remote control.
- Lite-Vision plus remote control : Refer to the installation manual of RBC-AMS54-UL

#### ▼ Wired remote control

Procedure	Operation content
1	When the Test button is pushed for 4 seconds or more, “TEST” is displayed in the display section, and the unit enters test operating mode. 
2	Push the  button.
3	Using the Select Mode button, select the “* COOL” or “* HEAT” operating mode. <ul style="list-style-type: none"> <li>• Do not use an operating mode other than “* COOL” or “* HEAT”.</li> <li>• Temperature adjustment is unavailable during test operation.</li> <li>• Check code is detected as usual.</li> </ul> 
4	When the test operation has finished, push the  button to stop the operation. (The same display as in procedure 1 appears in the display section.)
5	Push the Test button to clear the test operating mode. (“TEST” disappears from the display section, and the status returns to the normal stopped status.) 

#### ▼ Wireless remote control (Except the 4-way Cassette type and the Ceiling type)

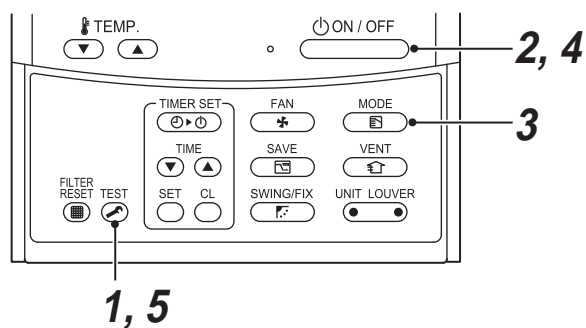
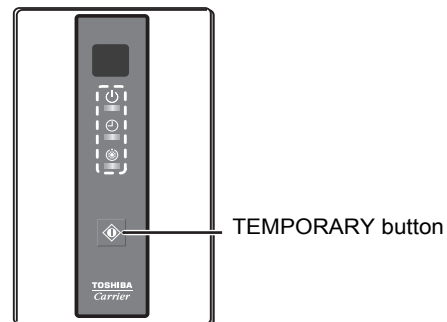
### Test run (Forced cooling operation)

#### Requirement:

- Finish the forced cooling operation in a short time because it applies excessive strength to the air conditioner.

#### How to perform forced cooling operation

1. When TEMPORARY button is pushed for 10 seconds or more, “Pi!” sound is heard and the operation changes to a forced cooling operation. After approx. 3 minutes, a cooling operation starts forcibly. Check cool air starts blowing. If the operation does not start, check wiring again.
2. To stop a test operation, push TEMPORARY button once again (Approx. 1 second).  
  - Check wiring / piping of the indoor and outdoor units after forced cooling operation.



▼ **Wireless remote control  
(4-way Cassette type)**

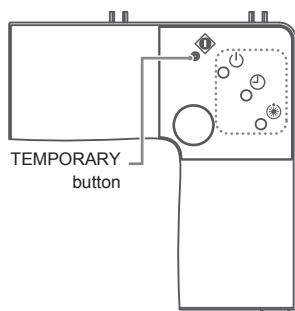
**Test run (Forced cooling operation)**

**Requirement:**

- Finish the forced cooling operation in a short time because it applies excessive strength to the air conditioner.

**How to perform forced cooling operation**

1. When TEMPORARY button is pushed for 10 seconds or more, “Pi!” sound is heard and the operation changes to a forced cooling operation. After approx. 3 minutes, a cooling operation starts forcedly.  
Check cool air starts blowing. If the operation does not start, check wiring again.
2. To stop a test operation, push TEMPORARY button once again (Approx. 1 second).
  - Check wiring / piping of the indoor and outdoor units in forced cooling operation.



▼ **Wireless remote control  
(Ceiling type)**

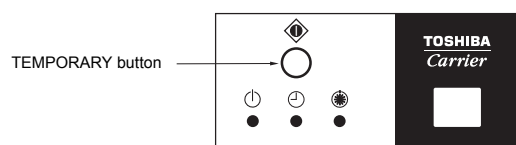
**Test run (Forced cooling operation)**

**Requirement:**

- Finish the forced cooling operation in a short time because it applies excessive strength to the air conditioner.

**How to perform forced cooling operation**

1. When TEMPORARY button is pushed for 10 seconds or more, “Pi!” sound is heard and the operation changes to a forced cooling operation. After approx. 3 minutes, a cooling operation starts forcedly.  
Check cool air starts blowing. If the operation does not start, check wiring again.
2. To stop a test operation, push TEMPORARY button once again (Approx. 1 second).
  - Check wiring / piping of the indoor and outdoor units in forced cooling operation.

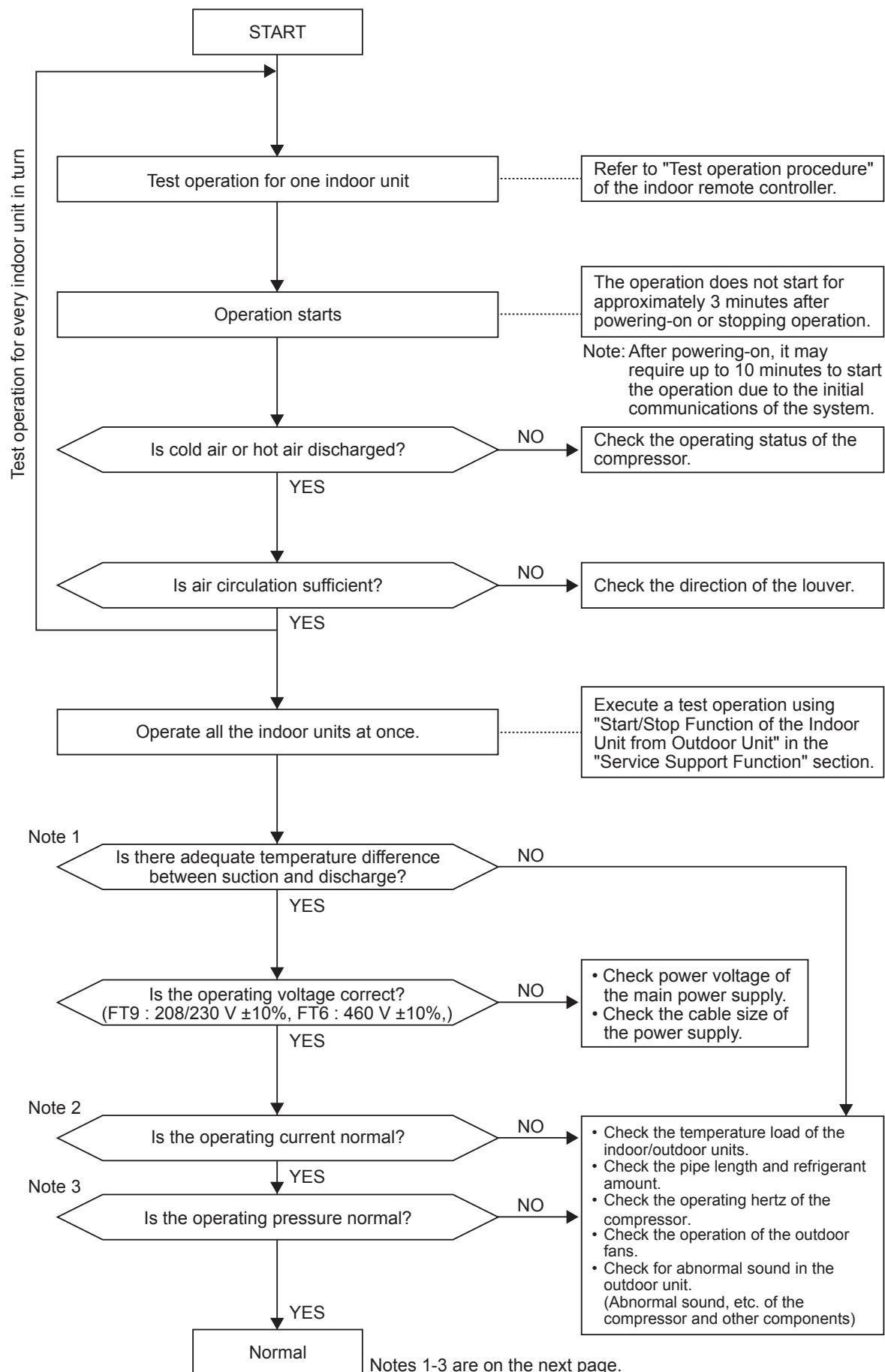


Test operation from the outdoor unit

- Refer to “8-7-2. Function to Start/Stop (ON/OFF) Indoor Unit from Outdoor Unit” in “8-7. Service Support Function.”

**Note:** The test operation returns to normal operating mode after 60 minutes.

(2) Test operation





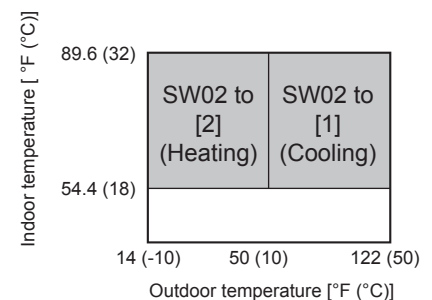
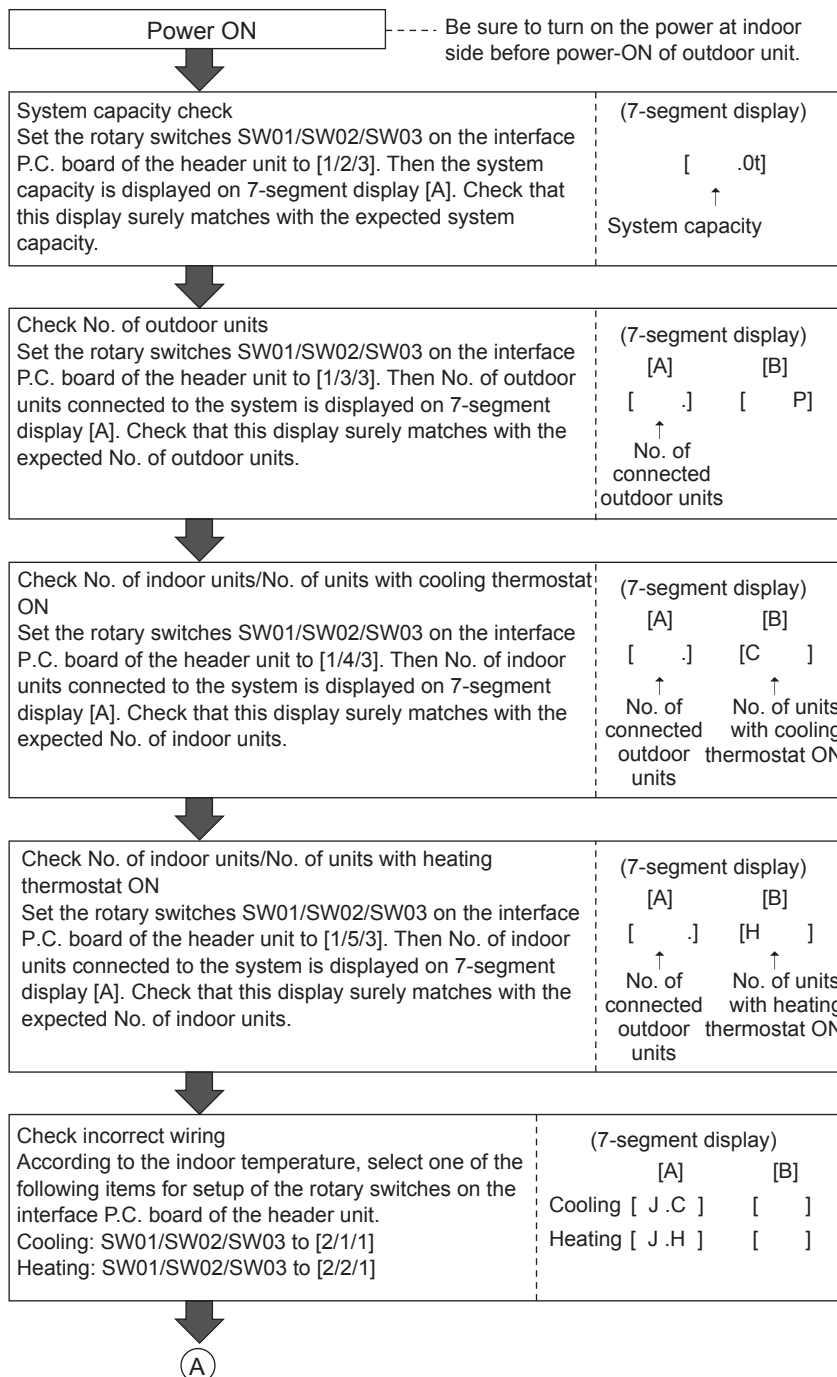
# 8-7. Service Support Function

## 8-7-1. Check Function for Connecting of Refrigerant and Control Lines

This function is provided to check misconnection of the refrigerant pipes and the control transmission line (Wiring over lines) between indoor unit and outdoor unit by using the switch on the interface P.C. board of the header unit. However, be sure to check the following items prior to executing this check function.

- 1 This check function does not work when a group operation by remote controller is performed and it is used over outdoor units.**
- 2 When using this check system, be sure to check for each 1 line in the unit of outdoor unit. If checking the multiple lines at the same time, misjudgment may be caused.**

(Check procedure)



### Note 1: Criteria for the difference between suction and discharge temperatures

(1) Individual cooling operation

After operating for a minimum of 30 minutes in “COOL” mode, if the  $\Delta T$  dry bulb temperature difference between suction and discharge air of the indoor unit is 46.4°F (8°C) or more, it is normal.

(2) Individual heating operation

After operating for a minimum of 30 minutes in “HEAT” mode, if the  $\Delta T$  dry bulb temperature difference between suction and discharge air of the indoor unit is 59°F (15°C) or more, it is normal.

\* If demand from the indoor unit on the outdoor unit is low because the difference between the temperature set by the remote controller and the temperature of the room is small, then the  $\Delta T$  temperature difference is small.

\* Consider that  $\Delta T$  temperature difference may diminish in cases of a system in which the connected indoor unit capacity exceeds the outdoor unit capacity, the pipe length is long, or a large difference exists among outdoor units.

### Note 2: Criteria for operating power current

The table below shows the maximum current for each outdoor unit. Under standard conditions, operating current is about 80% of the value shown in the table below.

Outdoor unit	MMY-MAP	0726FT*	0966FT*	1206FT*	1446FT*	1686FT*
Current value	(A)	11.8	17.0	22.0	23.4	29.7

### Note 3: Criteria for cycle status

(1) These data are based on operating a 4-way Air Discharge Cassette type air conditioner of 100% connection with standard piping length.

Data may vary depending on temperature conditions, installed pipe length, and room shape combinations, or indoor unit connection capacity.

For pressure criteria in different temperature conditions, refer to (2).

Model	Operation mode	Pressure (psi)		Pipe surface temperature (°F)						Number of compressor rotation		Indoor fan	Air temperature condition (DB/WB) (°F)	
		Pd	Ps	Discharge (TD)	Suction 1 (TS1)	Suction 2 (TS2)	Indoor heat exchanger (TC)	Outdoor heat exchanger (TE)	Liquid temperature (TL)	Compressor 1	Compressor 2		Indoor	Outdoor
0726FT* <sup>UL</sup>	All cooling	410	130	183	82	59	48	105	102	50	50	High	80/67	95/-
	All heating	428	102	184	39	40	100	38	90	50	50	High	70/-	47/43
0966FT* <sup>UL</sup>	All cooling	415	130	184	83	60	48	105	102	45	45	High	80/67	95/-
	All heating	430	102	186	37	38	100	36	91	50	50	High	70/-	47/43
1206FT* <sup>UL</sup>	All cooling	421	130	186	84	60	50	105	102	50	50	High	80/67	95/-
	All heating	435	100	184	37	39	101	36	91	57	57	High	70/-	47/43
1446FT* <sup>UL</sup>	All cooling	418	130	185	84	59	48	105	102	60	60	High	80/67	95/-
	All heating	430	100	184	37	38	100	36	91	68	68	High	70/-	47/43
1686FT* <sup>UL</sup>	All cooling	423	130	187	85	60	50	106	103	67	67	High	80/67	95/-
	All heating	435	98	186	35	36	101	34	91	79	79	High	70/-	47/43

\* This compressor is driven with a 4-pole motor. The value of the compressor frequency (rps) measured with a clamp meter at the compressor lead line is two times the rotation count (rps) of the compressor.

\* Each compressor may have a different frequency as a measure against resonance.

\* The temperature of the indoor heat exchanger (TC) indicates TCJ sensor temperature when cooling, and TC2 sensor temperature when heating, respectively.

(2) Criteria for operating pressure

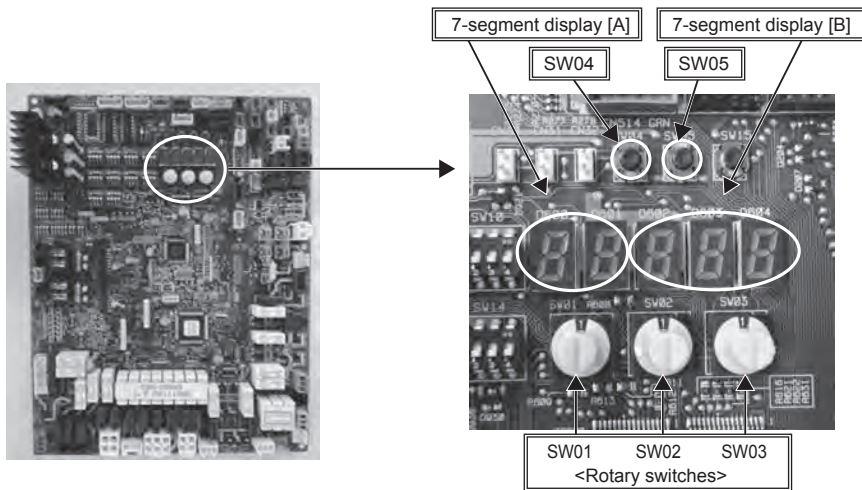
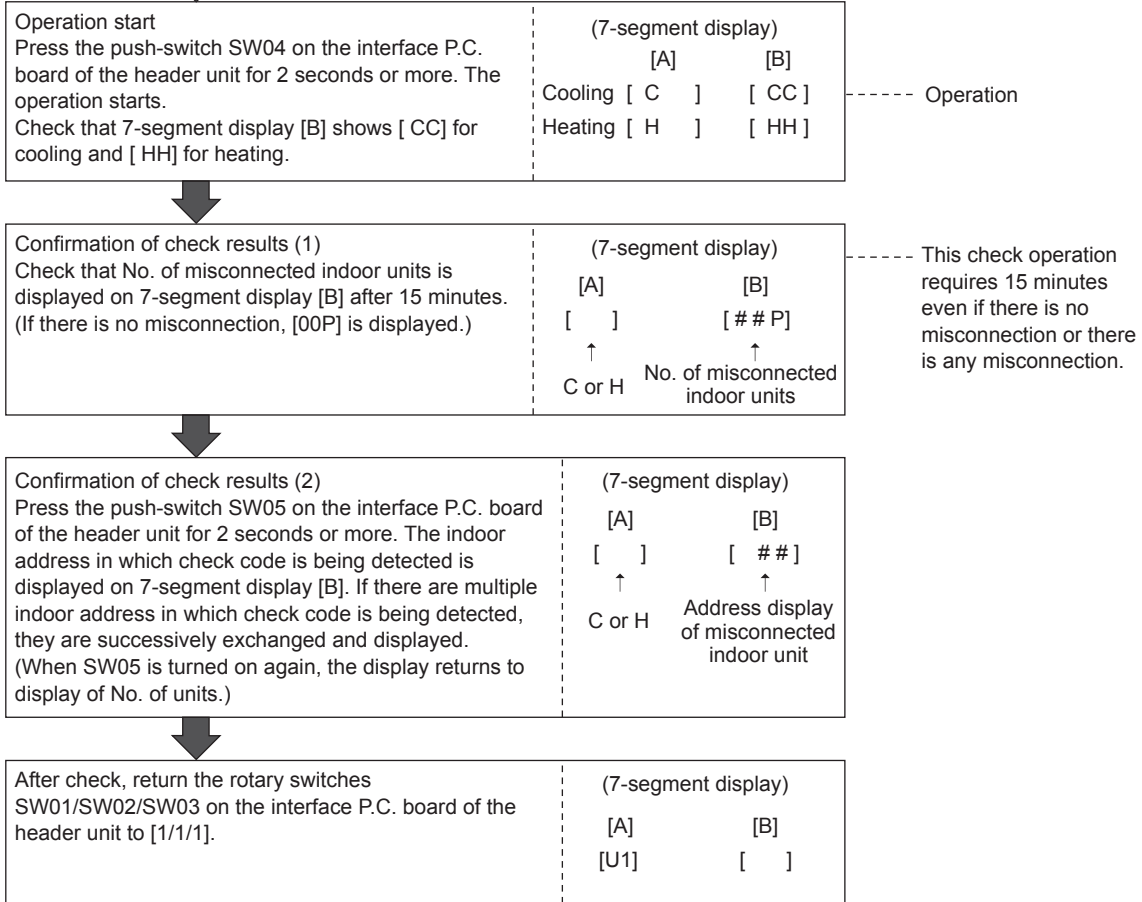
Operating mode	All cooling	All heating
Indoor temperature (°F)	64~90	59~77
Outdoor temperature (°F)	77~95	41~50
Pressure	High pressure (psi)	290~465
	Low pressure (psi)	75~135

\* Criteria after 15 minutes or more has passed since operating started

(3) On rotations of outdoor fans

Outdoor fans may rotate slowly to control pressure when cooling with low outer air temperature or heating with excessive load. For control content, also refer to items in Section 5, “Control Outline: Outdoor Unit, Outdoor Fan Control.”

Ⓐ



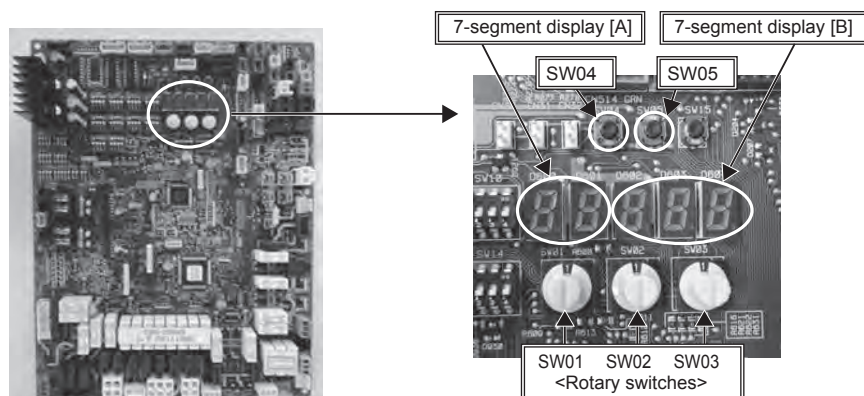
## 8-7-2. Function to Start/Stop (ON/OFF) Indoor Unit from Outdoor Unit

The following functions of the indoor unit can start or stop by the switches on the interface P.C. board of the header unit.

No	Function	Outline	Setup/Release	7-segment display
1	All cooling test operation	Changes the mode of all the connected indoor units collectively to cooling test operation. Note) Control operation same as usual test operation from remote control is performed.	[Setup] Set SW01/SW02/SW03 to [2/5/1], and press SW04 for 2 seconds or more. [Release] Return SW01/SW02/SW03 to [1/1/1].	Section A [C. ]      Section B [ - C]
2	All heating test operation	Changes the mode of all the connected indoor units collectively to heating test operation. Note) Control operation same as usual test operation from remote control is performed.	[Setup] Set SW01/SW02/SW03 to [2/6/1], and press SW04 for 2 seconds or more. [Release] Return SW01/SW02/SW03 to [1/1/1].	Section A [H. ]      Section B [ - H]
3	Fan test operation	Changes operation mode of all the connected indoor units collectively to test operation mode. Note) Control operation same as usual test operation from remote control is performed.	[Setup] Set SW01/SW02/SW03 to [2/9/1], and push SW04 for 2 seconds or more. [Release] Return SW01/SW02/SW03 to [1/1/1].	Section A [F. ]      Section B [ - F]
4	Batch start	Starts all the connected indoor units collectively. Note) The contents follow to the setup of remote controller.	[Setup] Set SW01/SW02/SW03 to [2/7/1], and press SW04 for 2 seconds or more. [Release] Return SW01/SW02/SW03 to [1].	Section A [C.H]      Section B [ 11] [ 00] is displayed on Section B for 5 seconds.
	Batch stop	Stops all the connected indoor units collectively.	[Setup] Set SW01/SW02/SW03 to [2/7/1], and press SW05 for 2 seconds or more. [Release] Return SW01/SW02/SW03 to [1].	Section A [C.H]      Section B [ 00] [ 00] is displayed on Section B for 5 seconds.
5	Individual start	Starts the specified indoor unit. Notes) • The contents follow to the setup of remote controller. • The other indoor units keep the status as they are.	[Setup] Set SW01 to [16], set SW02 and SW03 to address No. (1 to 64) to be started, and press SW04 for 2 seconds or more. [Release] Return SW01/SW02/SW03 to [1/1/1].	Section A [ ]      Section B [ ] Section A: Displays the corresponding indoor address. Section B: Displays [ 11] for 5 seconds from operation-ON.
	Individual stop	Stops the specified indoor unit. Note) The other indoor units keep the status as they are.	[Setup] Set SW01 to [16], set SW02 and SW03 to address No. (1 to 64) to be stopped, and press SW05 for 2 seconds or more. [Release] Return SW01/SW02/SW03 to [1/1/1].	Section A [ ]      Section B [ ] Section A: Displays the corresponding indoor address. Section B: Displays [ 00] for 5 seconds from operation-OFF.
	Individual test operation	Operates the specified indoor unit. Note) The other indoor units keep the status as they are.	[Setup] Set SW01 to [16], set SW02 and SW03 to address No. to be operated, and press SW04 for 10 seconds or more. [Release] Return SW01/SW02/SW03 to [1/1/1].	Section A [ ]      Section B [ ] Section A: Displays the corresponding indoor address. Section B: Displays [ FF] for 5 seconds from test operation-ON.

**NOTE 1)** This start/stop function only sends the signals from the outdoor unit to the indoor unit, such as start, stop, operation mode, etc. It does not resend the signals even if the indoor unit does not follow the sent signals.

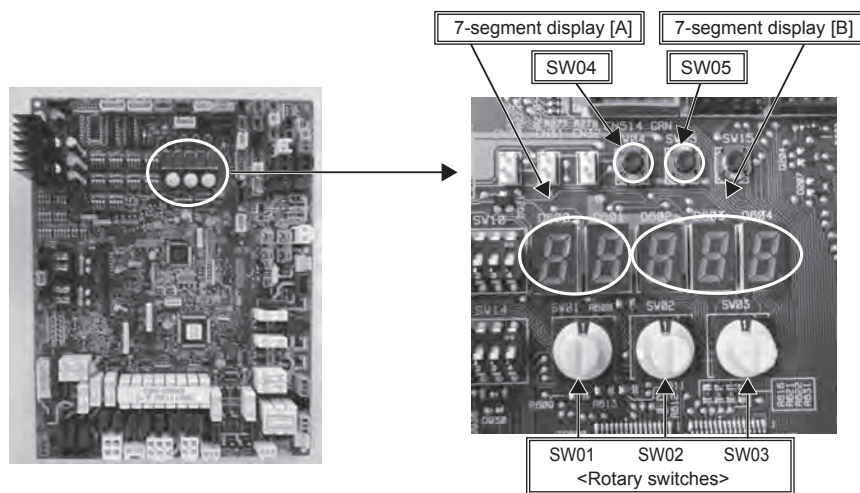
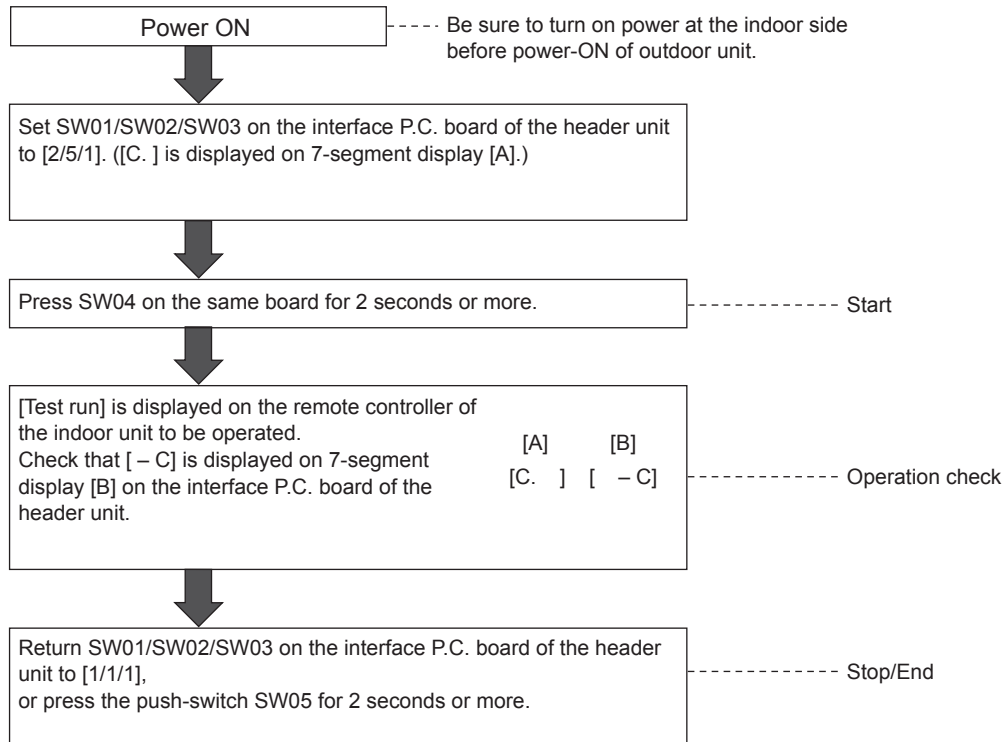
**NOTE 2)** The above controls are not used during abnormal stop.



(1) All cooling test operation function

This function is provided to change collectively the mode of all the indoor units connected to the same system for the cooling test operation mode, by using switches on the interface board of the header unit.

<Operation procedure>



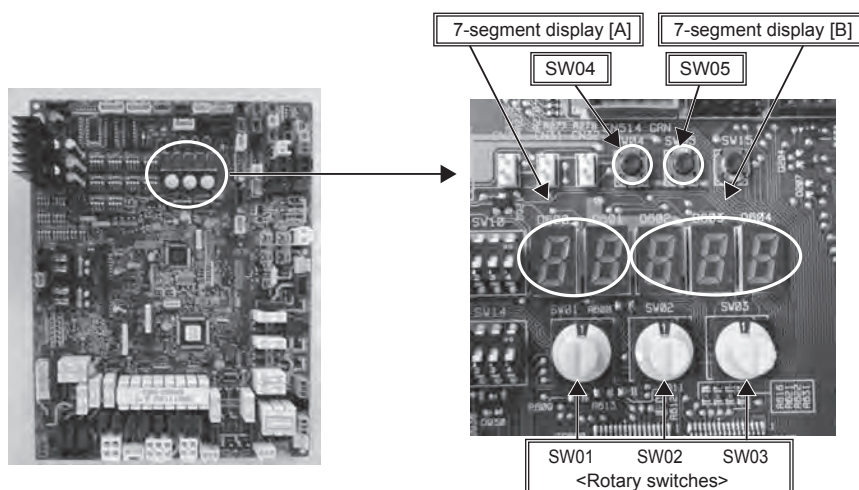
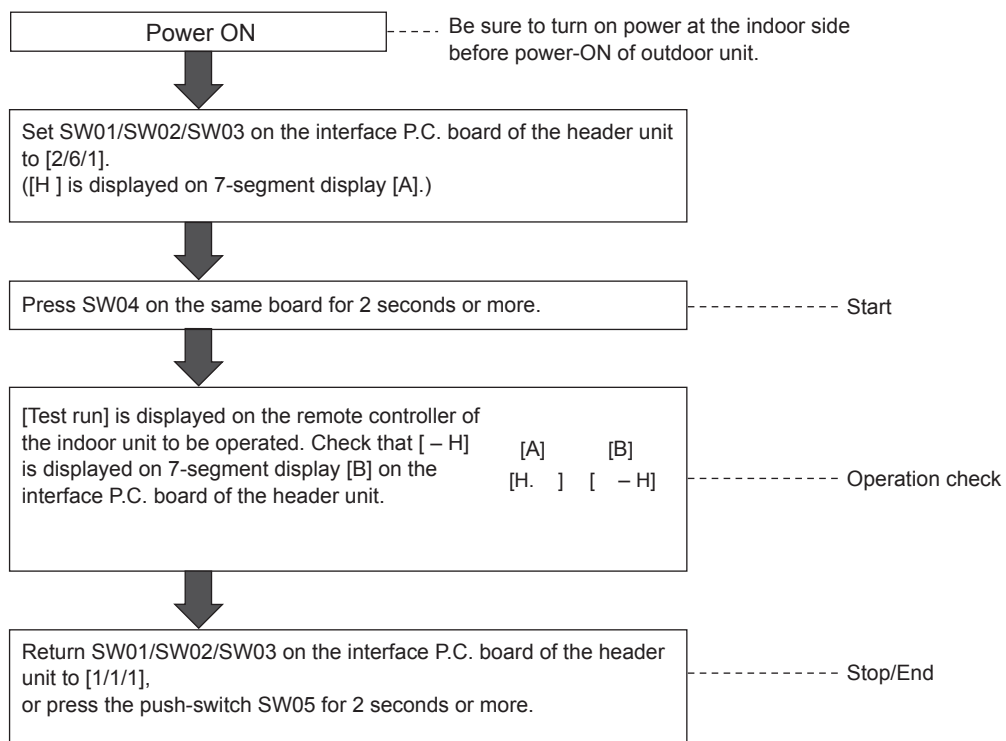
**NOTE)** The test operation returns to the normal operation after 60 minutes.



(2) All heating test operation function

This function is provided to change collectively the mode of all the indoor units connected to the same system for the heating test operation mode, by using switches on the interface board of the header unit.

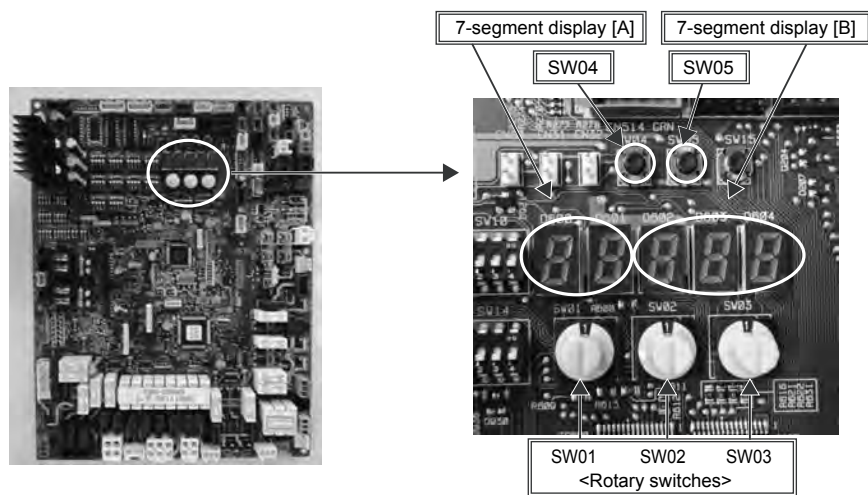
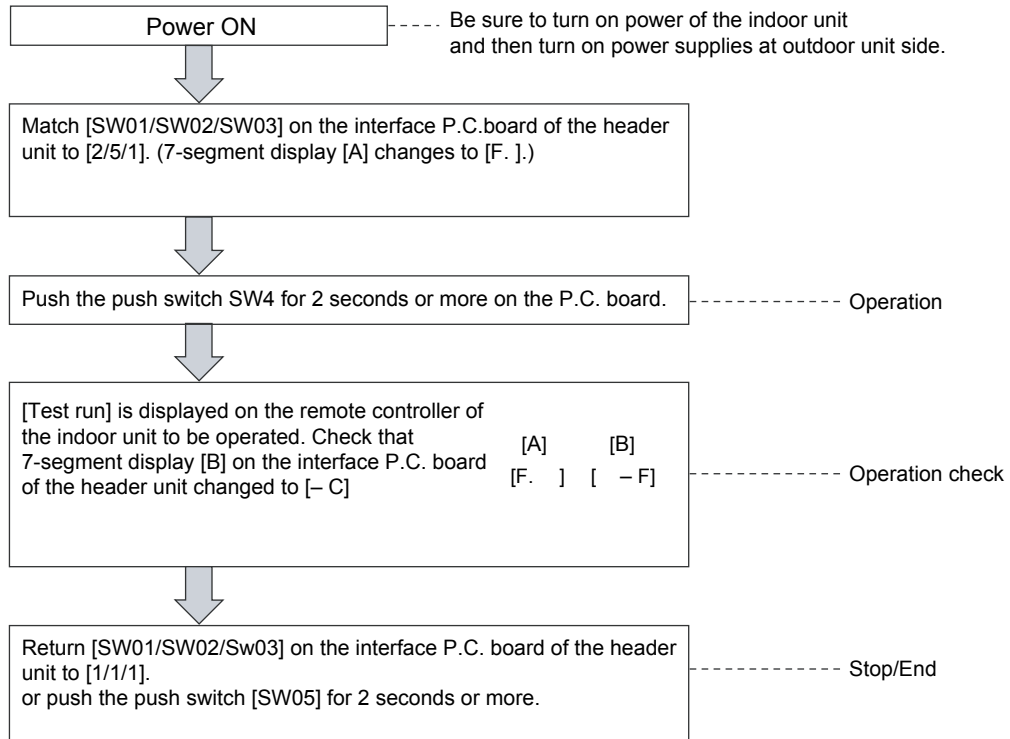
<Operation procedure>



**NOTE)** The test operation returns to the normal operation after 60 minutes.

(3) Fan test operation function

This function is provided to change collectively the mode of all the indoor units connected to the same system for the fan test operation mode by using switches on the interface P.C. board of the header unit.  
 <Operation procedure>

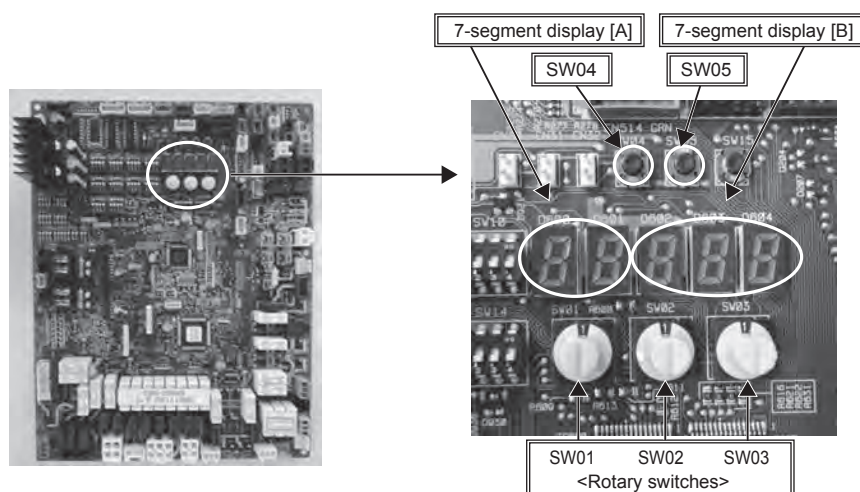
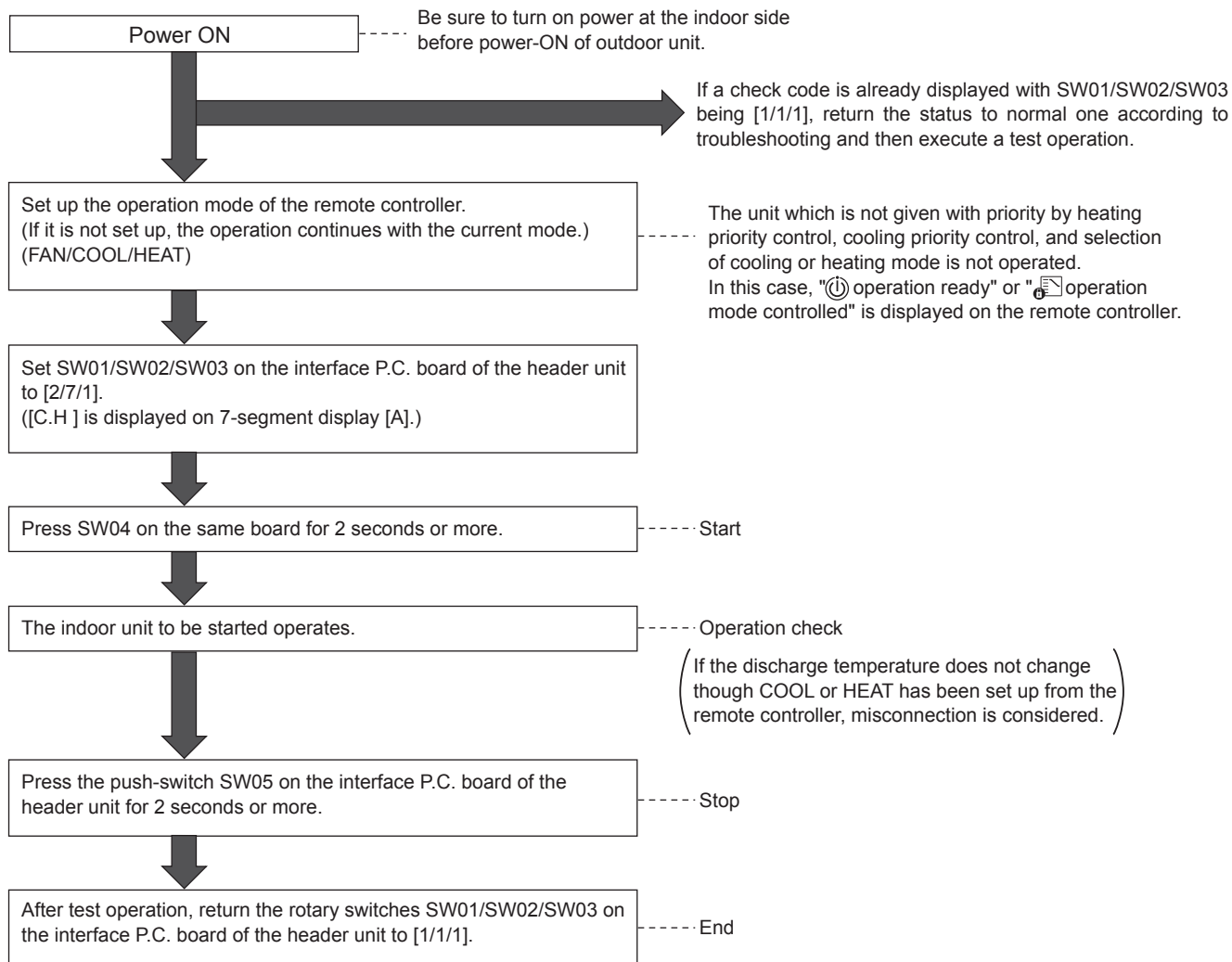


**NOTE)** The test operation ends after 60 minutes and the operation returns to normal status.

#### (4) Batch start/stop (ON/OFF) function

This function is provided to start/stop collectively all the indoor units connected to the same system by using switches on the interface board of the header unit.

<Operation procedure>





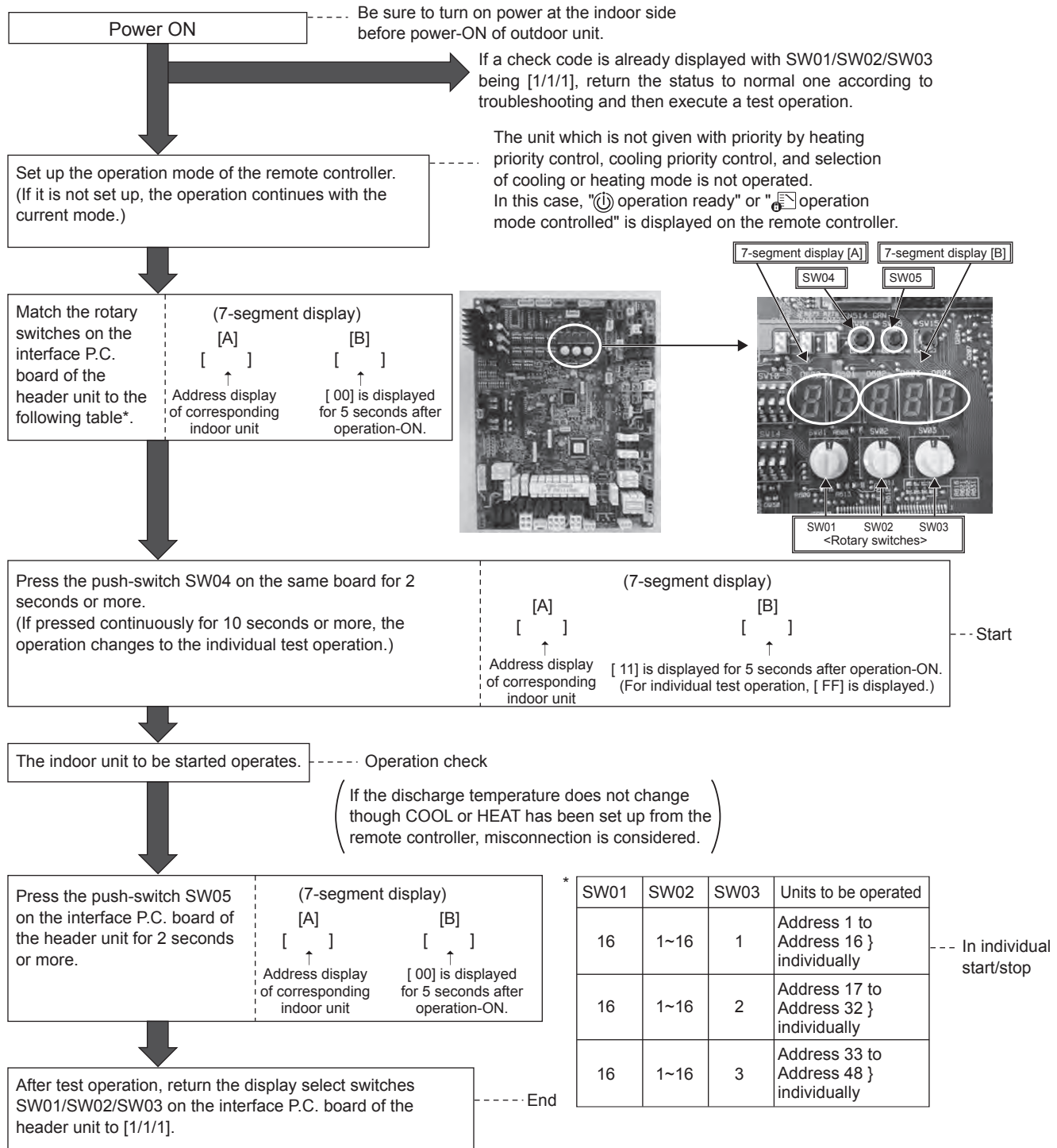
(5) Individual start/stop (ON/OFF) individual test operation function

This function is provided to start/stop (ON/OFF) individually each indoor unit connected to the same system by using switches on the interface board of the header unit.

Set SW01 [16] and set SW02, SW03 to indoor address No. (1 to 64) to be started (Refer to the following table\*) - only the setup indoor unit starts operation.

(In the rotary switches of the indoor unit which operates in a group by the remote controller, the follower unit cannot be individually started or stopped. In this case, [ - - ] is displayed on 7-segment display [B] on the interface P.C. board of the header unit.)

<Operation procedure>



**NOTE)** The individual test operation returns to the normal operation after 60 minutes.

## 8-7-3. Check code Clearing Function

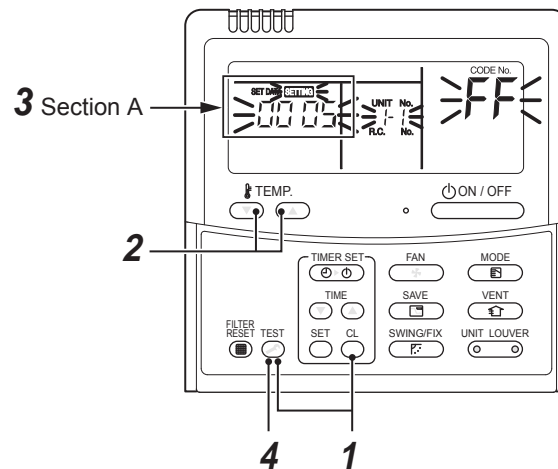
### (1) Clearing from the main remote controller

#### ▼ Check code clearing in outdoor unit

Check code of the outdoor unit currently detected is cleared by the unit of one refrigerant circuit system to which the indoor units operated by the remote controller is connected. (Check code of the indoor unit is not cleared.) For clearing check codes, the service monitor function of the remote controller is used.

#### <Method>

- 1 Change the mode to service monitor mode by pushing **CL** + **TEST** buttons simultaneously for 4 seconds or more.
- 2 Using **TEMP.** buttons, set CODE No. to "FF".
- 3 The display in Section A in the following figure is counted with interval of 5 seconds as "0005" --> "0004" --> "0003" --> "0002" --> "0001" --> "0000".  
When the count arrives "0000", the check code is cleared.  
\*However, counting from "0005" is repeated on the display.
- 4 When **TEST** button is pushed, the status returns to the normal status.



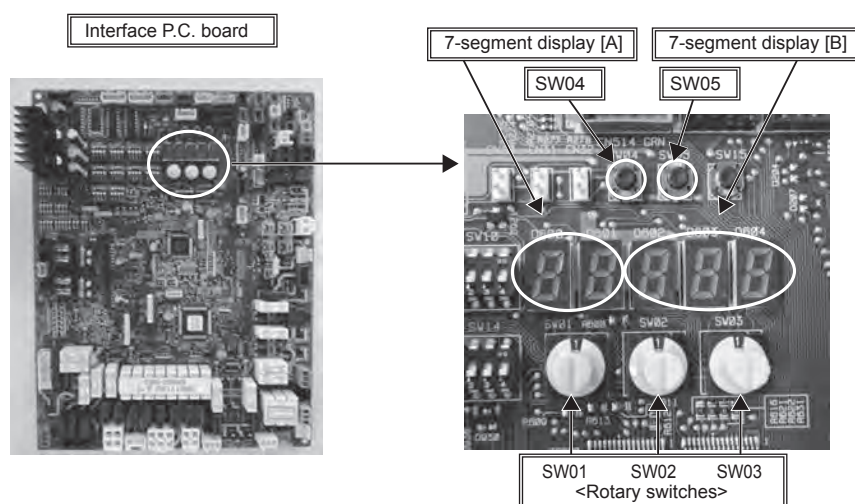
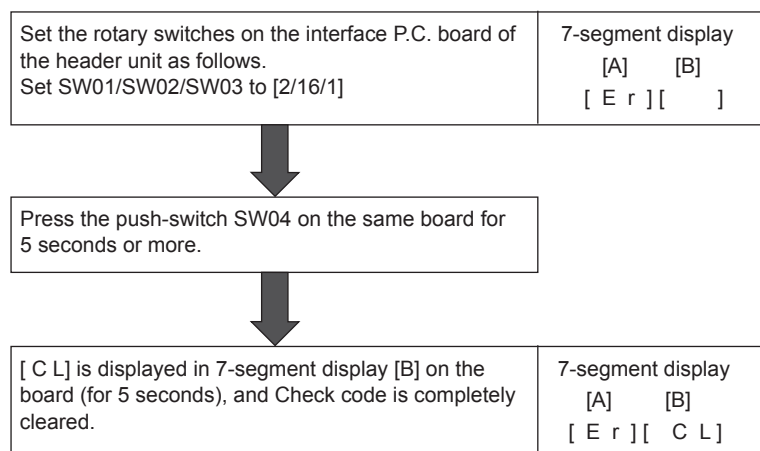
#### ▼ Check code clearing in indoor unit

Check code in the indoor unit is cleared by **ON / OFF** button on the remote controller.  
(Only check code of the indoor unit connected with operating remote controller is cleared.)

## (2) Clearing check code by using switches on the interface board of the header unit

Using the switches on the interface P.C. board of the header unit, this function is to clear the currently detected check code for each refrigerant circuit system without resetting the power supply.

Check codes in both outdoor and indoor units are once cleared, and check code detection is performed again.



## (3) Clearing check code by resetting power

This function is provided to clear check code in a system by resetting the power of all the outdoor and the indoor units. As same as the clearing method by the interface P.C. board, check codes of both the outdoor and the indoor units are once cleared, and check code detection is performed again.

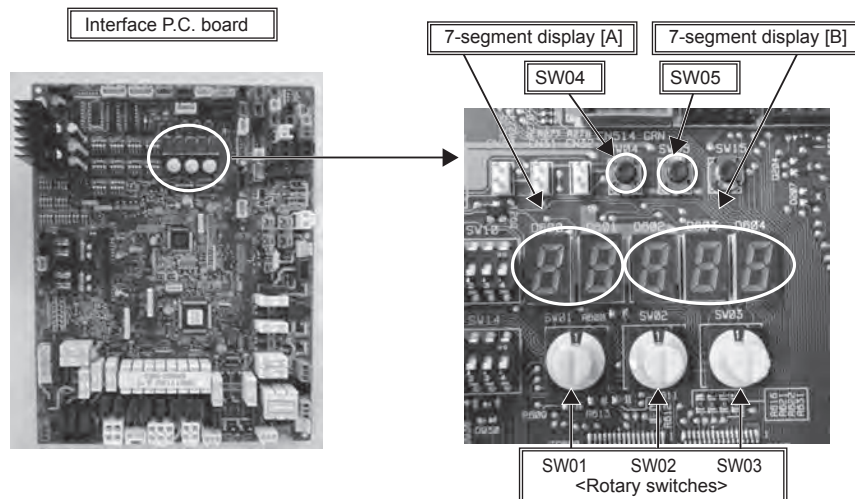
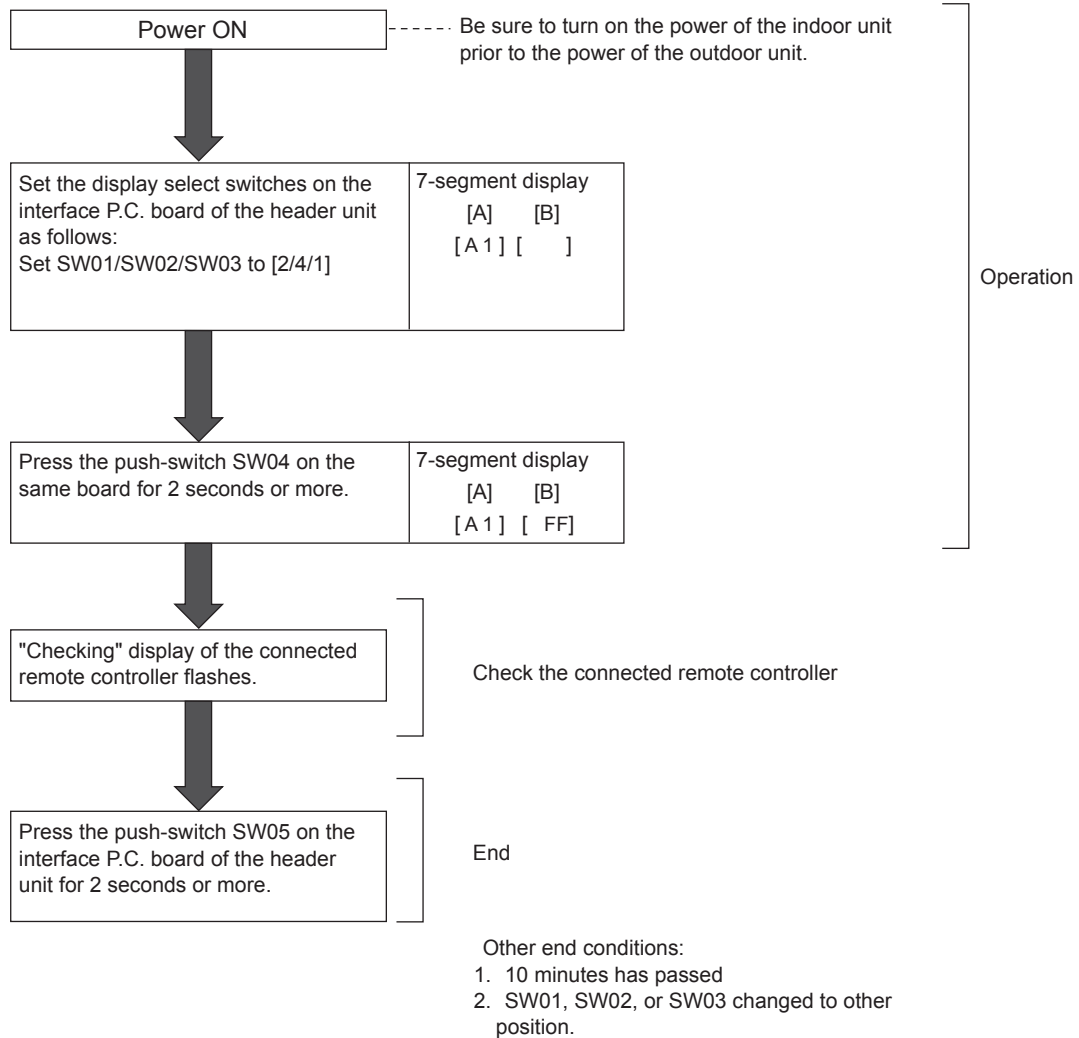
### <Method>

- (1) Be sure to reset power of both the outdoor and the indoor units.
- (2) Turn on the power of the indoor unit prior to the power of the outdoor unit.  
(If the power is turned on in reverse order, a check code [E19] (No. of header unit trouble) is output.)

**NOTE)** After power reset, it requires usually 3 minutes to power-on due to the initial communication of the system. In some cases, it requires max. 10 minutes.

## 8-7-4. Remote Controller Distinction Function

This function is provided to distinguish the remote controller connected to the indoor unit from the outdoor unit for a refrigerant circuit system by using switches on the interface P.C. board of the header unit.  
 <Distinction procedure>



## 8-7-5. Pulse Motor Valve (PMV) Forced Open/Close Function in Indoor Unit

This function is provided to open or close forcedly PMV for 2 minutes in all the indoor units by the switch operation on the interface P.C. board of the header unit.

This function is also used to open PMV fully when turning off the power and executing an operation.

### <Operation>

#### [Open fully]

Set the switches SW01/SW02/SW03 on the interface P.C. board of the header unit to [2/3/1], and press SW04 for 2 seconds or more.

(Display appears on 7-segment display for 2 minutes as follows.) [P ] [ FF]

#### [Close fully]

Set the switches SW01/SW02/SW03 on the interface P.C. board of the header unit to [2/3/1], and press SW05 for 2 seconds or more.

(Display appears on 7-segment display for one minute as follows.) [P ] [ 00]

#### [Clear]

After 2 minutes (1 minutes for "Close fully") after setting up, the opening automatically returns to the normal opening.

## 8-7-6. Pulse Motor Valve (PMV) Forced Open Fully/Close fully Function in Outdoor Unit

This function is provided to forcedly open or close fully P.M.V. (PMV1/PMV3, PMV4) used in the outdoor unit for 2 minutes.

#### [PMV1 Open fully]

On the interface P.C. board of the outdoor unit, set the DIP switch [SW12·bit1] to [OFF], [SW12·bit2] to [OFF], and short-circuit CN30.

#### [PMV1 Close fully]

On the interface P.C. board of the outdoor unit, set the DIP switch [SW12·bit1] to [OFF], [SW12·bit2] to [OFF], and short-circuit CN31.

#### [PMV3 Open fully]

On the interface P.C. board of the outdoor unit, set the DIP switch [SW12·bit1] to [ON], [SW12·bit2] to [OFF], and short-circuit CN30.

#### [PMV3 Close fully]

On the interface P.C. board of the outdoor unit, set the DIP switch [SW12·bit1] to [ON], [SW12·bit2] to [OFF], and short-circuit CN31.

#### [PMV4 Open fully]

On the interface P.C. board of the outdoor unit, set the DIP switch [SW12·bit1] to [OFF], [SW12·bit2] to [ON], and short-circuit CN30.

#### [PMV4 Close fully]

On the interface P.C. board of the outdoor unit, set the DIP switch [SW12·bit1] to [OFF], [SW12·bit2] to [ON], and short-circuit CN31.

#### [Clear]

For both open fully and close fully, after 2 minutes, the opening returns to the normal opening.

Be sure to remove the cord used for short-circuit after confirmation, and set the DIP switch [SW12·bit1] to [OFF] and [SW12·bit2] to [OFF].

## 8-7-7. Solenoid Valve Forced Open/Close Function in Outdoor Unit

This function is provided to forcibly open each solenoid valve mounted in the outdoor unit by the switch operation on the interface P.C. board in the outdoor unit. Use this function to check there is no refrigerant clogging with ON/OFF operation of the solenoid valve.

### [Operation]

- (1) Set the switches SW01/SW02/SW03 on the interface P.C. board of the outdoor unit to [2/1/3].
- (2) When [H. r] is displayed in 7-segment display [A], keep pressing the switch SW04 for 2 seconds or more.
- (3) From when [ 2 ] is displayed in 7-segment display [B], SV2 is turned on.
- (4) After then, ON and OFF of each solenoid valve are exchanged by changing the setup number of the switch SW02.

(ON/OFF output pattern of each solenoid valve is as shown below.)

**NOTE 1)** Display in 7-segment display [B] is exchanged just when the number of SW02 has been changed; on the other hand, the solenoid valve output is exchanged when SW02 has been kept with the same number for 5 seconds or more.

**NOTE 2)** The mark [O] in the table indicates that the corresponding solenoid valve is forcibly turned on.

**NOTE 3)** The mark [-] in the table indicates that ON/OFF of the solenoid valve is controlled based upon the specifications of the air conditioner.

**NOTE 4)** The mark [x] in the table indicates that the corresponding solenoid valve is forcibly turned off with this operation.

**NOTE 5)** The case heater output is for both the compressor and accumulator heaters.

SW02	7-segment display [B]	Operation pattern of solenoid valve															Case heater output relay	
		SV2	SV5	SV41	SV42	SV3A	SV3B	SV3C	SV3D	SV3E	SV6	SV52	SV11	SV12	SV14	SV15		
1	[2]	○	-	-	-	-	-	-	-	○	-	-	-	-	-	-	○	
2	[5]	-	○	-	-	-	-	-	-	○	-	-	-	-	-	-	○	
3	[41]	-	-	○	-	-	-	-	-	○	-	-	-	-	-	-	○	
4	[42]	-	-	-	○	-	-	-	-	○	-	-	-	-	-	-	○	
5	[15]	-	-	-	-	-	-	-	-	○	-	-	-	-	-	○	○	
6	[3A]	-	-	-	-	○	-	-	-	○	-	-	-	-	-	-	○	
7	[3b]	-	-	-	-	-	○	-	-	○	-	-	-	-	-	-	○	
8	[3C]	-	-	-	-	-	-	○	x	○	-	-	-	-	-	-	○	
9	[3d]	-	-	-	-	-	-	-	○	x	-	-	-	-	-	-	○	
10	[3-]	-	-	-	-	○	○	○	x	○	-	-	-	-	-	-	○	
11	[6]	-	-	-	-	-	-	-	-	○	○	-	-	-	-	-	○	
12	[52]	-	-	-	-	-	-	-	-	○	-	○	-	-	-	-	○	
13	[11]	-	-	-	-	-	-	-	-	○	-	-	○	-	-	-	○	
14	[12]	-	-	-	-	-	-	-	-	○	-	-	-	○	-	-	○	
15	[14]	-	-	-	-	-	-	-	-	○	-	-	-	-	○	-	○	
16	[ALL]	○	○	○	○	○	○	○	○	○	○	○	○	○	○	○	-	○

### [Clear]

Return switches SW01/SW02/SW03 on the interface P.C. board to [1/1/1].

**NOTE)** As this function is not based on the specified general control, be sure to release this mode after checking.

## 8-7-8. Fan Operation Check in Outdoor Unit

This function is provided to check the fan operation of the outdoor unit by using switches on the interface P.C. board in the outdoor unit. The frequency of the fan speed can be controlled by setting of the switches. Use this function to check the operation or abnormal sound in the fan system. And, use this function while the system is stopped.

**NOTE)** Do not use this function during operation of the compressor. It may damage the compressor.

### [Operation]

- (1) Set the switches SW01/SW02/SW03 on the interface P.C. board of the outdoor unit to [2/1/4].
- (2) When [F. d] is displayed in 7-segment display [A], keep pressing the switch SW04 for 2 seconds or more.
- (3) When [ 63 ] is displayed in 7-segment display [B], the fan starts operation. (Max. mode operation)
- (4) After that, by changing the setup number of the switches SW02 and SW03, 7-segment display [B] and the fan mode are changed.  
(Mode output pattern of the fan is as follows.)

SW02	SW03	7-segment display [B]	Fan mode
1	4	[ 63 ]	63
2		[ 62 ]	62
3		[ 61 ]	61
4		[ 60 ]	60
5		[ 59 ]	59
6		[ 58 ]	58
7		[ 57 ]	57
8		[ 56 ]	56
9		[ 55 ]	55
10		[ 54 ]	54
11		[ 53 ]	53
12		[ 52 ]	52
13		[ 51 ]	51
14		[ 50 ]	50
15		[ 49 ]	49
16		[ 48 ]	48
1	5	[ 47 ]	47
2		[ 46 ]	46
3		[ 45 ]	45
4		[ 44 ]	44
5		[ 43 ]	43
6		[ 42 ]	42
7		[ 41 ]	41
8		[ 40 ]	40
9		[ 39 ]	39
10		[ 38 ]	38
11		[ 37 ]	37
12		[ 36 ]	36
13		[ 35 ]	35
14		[ 34 ]	34
15		[ 33 ]	33
16		[ 32 ]	32
1	6	[ 31 ]	31
2		[ 30 ]	30
3		[ 29 ]	29
4		[ 28 ]	28
5		[ 27 ]	27
6		[ 26 ]	26
7		[ 25 ]	25
8		[ 24 ]	24
9		[ 23 ]	23
10		[ 22 ]	22
11		[ 21 ]	21
12		[ 20 ]	20
13		[ 19 ]	19
14		[ 18 ]	18
15		[ 17 ]	17
16		[ 16 ]	16
1	7	[ 15 ]	15
2		[ 14 ]	14
3		[ 13 ]	13
4		[ 12 ]	12
5		[ 11 ]	11
6		[ 10 ]	10
7		[ 9 ]	9
8		[ 8 ]	8
9		[ 7 ]	7
10		[ 6 ]	6
11		[ 5 ]	5
12		[ 4 ]	4
13		[ 3 ]	3
14		[ 2 ]	2
15		[ 1 ]	1
16		[ 0 ]	0

### [Clear]

This function is cleared by one of the following operations.

- (1) When SW01 setting number was changed to other number.
- (2) Press-switch SW05 was pressed for 2 seconds or more.



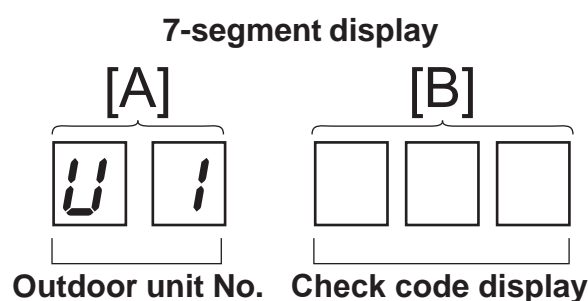
## 8-7-9. Abnormal Outdoor Unit Discrimination Method By Fan Operating Function

This function is provided to forcibly operate the fan of the outdoor unit in which a check code occurred or the fan of the normal outdoor unit by the switch operation on the interface P.C. board in the header unit.  
To specify which one of the follower units connected to the system had problem, use this function for the system stop due to a follower unit problem (Check code [E28]).

### [Operation]

#### <In case to operate the fan in the erroneous outdoor unit only>

(1) Check that the switches SW01/SW02/SW03 on the interface P.C. board in the header unit are set to [1/1/1].



(2) Press the push-switch SW04 for 2 seconds or more.

(3) [E 1] is displayed on 7-segment display [A].

(4) The fan of the outdoor unit in which problem occurred starts operation within approx. 10 seconds after [E 1] was displayed.

#### <In case to operate the fans in all the normal outdoor units>

(1) Check that the switches SW01/SW02/SW03 on the interface P.C. board in the header unit are set to [1/1/1].

(2) Press the push-switches SW04 and SW05 at the same time for 2 seconds or more.

(3) [E 0] is displayed on 7-segment display [A].

(4) The fans of all the normal outdoor units start operation with the Max. fan speed within approx. 10 seconds after [E 0] was displayed.

### [Release]

Press the push-switch SW05 on the interface P.C. board in the header unit for 2 seconds or more.  
The outdoor fan which was operated stops.

\* Check that [U. 1] is displayed on 7-segment display [A], and then finish the work.

## 8-7-10. Manual Adjustment Function of Outside Temperature (TO) Sensor

This function is provided to fix TO sensor value manually by the switch operation on the interface P.C. board in the outdoor unit. When the unit stops abnormally due to TO sensor failure, etc, an emergent operation is available by setting up the value manually to position near the current outside temperature.

### [Operation]

- (1) Set the rotary switches on the interface P.C. board to numbers as follows:
  - SW01/SW02/SW03 to [2/1/15]
  - 7-segment display: [ t o ]
- (2) Keep pressing the push-switch SW04 on the interface P.C. board for 1 second or more. The mode changes to the TO sensor value fix manual mode.
- (3) As shown in the following table, TO sensor value can be fixed by setting the rotary switch SW02 on the interface P.C. board.

### [Clear]

Return SW01/SW02/SW03 on the interface P.C. board in the outdoor unit to [1/1/1].

SW02	7-segment display [B]	TO sensor value
1	[ 50 ]	50°F (10°C)
2	[ 59 ]	59°F (15°C)
3	[ 68 ]	68°F (20°C)
4	[ 77 ]	77°F (25°C)
5	[ 86 ]	86°F (30°C)
6	[ 95 ]	95°F (35°C)
7	[ 104 ]	104°F (40°C)
8	[ 109 ]	109°F (43°C)
9	[ 113 ]	113°F (45°C)
10	[ 5 ]	5°F (-15°C)
11	[ 14 ]	14°F (-10°C)
12	[ 23 ]	23°F (-5°C)
13	[ 32 ]	32°F (0°C)
14	[ 35 ]	35°F (2°C)
15	[ 41 ]	41°F (5°C)
16	[ 44 ]	44°F (7°C)

**NOTE)** If operated with TO sensor fixed by this function, the system control operation of the air conditioner may not be based on the specification of the product. Therefore an emergent operation should be restricted to a day or so.

<Service support function list>

SW01	SW02	SW03	7-segment display [A]	Function contents
2	1	1	[J . C]	Refrigerant circuit and control communication line check function (Cooling operation)
	2		[J . H]	Refrigerant circuit and control communication line check function (Heating operation)
	3		[P . ]	Indoor PMV forced full open function
	4		[A . 1]	Indoor remote controller discriminating function
	5		[C . ]	Cooling test operation function
	6		[H . ]	Heating test operation function
	7		[C . H]	Indoor collective start/stop (ON/OFF) function
	9		[F . ]	Fan test operation function
	11		[r . d]	Outdoor refrigerant recovery operation function (Pump down function)
	16		[E . r]	Check code clear function

2	1~16	3	[H . r]	Solenoid valve forced open/close function
2	1~16	4~7	[F . d]	Fan forced operation function
2	1~16	15	[t . o]	Outside temperature sensor manual adjustment function

16	1~16	1	[0 1]~[1 6]	Indoor No. 1 to 16 unit	Indoor individual start/stop (ON/OFF) function
		2	[1 7]~[3 2]	Indoor No. 17 to 32 unit	
		3	[3 3]~[4 8]	Indoor No. 33 to 48 unit	
		4	[4 9]~[6 4]	Indoor No. 49 to 64 unit	

SW01	SW02	SW03	7-segment display [A/B]	Function contents
1	1	1	[U 1] [ E28 ]	Follower unit check code / Corresponding unit fan operation function

## 8-7-11. Refrigerant leakage detection

The refrigerant leakage can be confirmed by using the switches on Interface PCB of the outdoor unit.

If there is a leak, the location must be found in order to recover the refrigerant. After that, implement appropriate countermeasure and refill the refrigerant to its standard volume.

Refrigerant leaks can be detected by comparing the Actual opening of PMV with the Calculated opening of PMV\* during the operation.

\* Calculated opening of PMV: calculated from the initial value(C.i/H.i), the pressure sensor value, the compressor's rotation speed, and the opening of PMV. The initial values are automatically saved when the specified conditions are met.

(A leak can be detected only when C.i/H.i = 1)

### [Operation]

#### (1) Confirming the refrigerant leakage

Set SW01 to 03 as shown in the following table to confirm whether the leaks are being detected.

(It also can be confirmed by remote control monitor function. Refer to "8-7-12. Monitor function of remote controller switch.)

#### (2) Clearing the initial value

If the system is changed (e.g. indoor units are increased/replaced, outdoor units are moved, or refrigerant is refilled/increased) it is necessary to clear the initial value that had been saved.

Make sure that the compressor has stopped, and then press and hold SW04 for at least 5 seconds.

SW01	SW02	SW03	Display detail	
2	13	14	Refrigerant leakage detection	A [L. d]
				B Normal: [... .. 0] Possibility of leakage: [... .. 1] Clear the data: [...C.L] (Only Display for 5 seconds)

#### (3) Checking the record of the initial value

Set SW01 to 03 as shown in the following table to confirm the record of the initial value.

SW01	SW02	SW03	Display detail	
2	14	14	Cooling initial value	A [C. i]
				B Incomplete: [... .. 0] Completed: [... .. 1]
2	15	14	Heating initial value	A [H. i]
				B Incomplete: [... .. 0] Completed: [... .. 1]

### [Clear]

Return SW01/SW02/SW03 on the Interface PCB in the outdoor unit to [1/1/1] .

### NOTE)

#### (a) During the operation, the slow leaks can be detected.

However, if the air-conditioner cannot cooling down / cannot warming up / make an unusual stop, the slow leaks might not be detectable. The fast leaks always cannot be detected.

#### (b) Poor refrigerant circulation may be detected as a refrigerant leaks.

(e.g. plugged strainers / capillaries, malfunction / clogging of the PMV / 2-way valve / 4-way valve)

#### (c) Due to the outside temperature, the initial value may not be recorded, or it may be impossible to determine the leakage.

#### (d) The initial value cannot be saved until the accumulated operating time has reached at least 20 hours.

#### (e) The initial value cannot be saved if the indoor unit's operating ratio is low.

#### (f) If the following indoor units are connected, leakage determination is not possible.

- Air to air heat exchanger with DX coil unit

## 8-7-12. Monitor Function of Remote Controller Switch






When using a remote controller with the model name RBC-AMT32UL, the following monitor functions can be used.

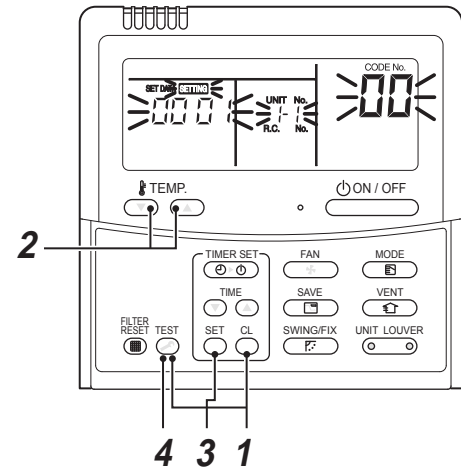
### Switching to the service monitor mode

#### <Content>

The sensor temperature or operation status of the remote controller, indoor unit, or the outdoor unit can be known by switching to the service monitor mode from the remote controller.

#### [Procedure]

- 1 Push  +  buttons simultaneously for 4 seconds or more to call up the service monitor mode.**  
The service monitor goes on, and temperature of the CODE No. 00 is firstly displayed.
- 2 Push the temperature setup  buttons to select the CODE No. to be monitored.**  
For displayed codes, refer to the table next page.
- 3 Push  button to determine the item to be monitored.**  
Then monitor the sensor temperature or operation status of indoor unit and the outdoor unit in the corresponding refrigerant line.
- 4 Pushing  button returns the display to the normal display.**



	CODE No.	Data name	Display format	Unit	Remote controller display example
Indoor unit data *2	00	Room temperature (Use to control)	×1	°C	[0027]= 27°C
	01	Room temperature (Remote controller)	×1	°C	
	02	Indoor suction air temperature (TA)	×1	°F	[0080]= 80 °F
	03	Indoor coil temperature (TCJ)	×1	°F	
	04	Indoor coil temperature (TC2)	×1	°F	
	05	Indoor coil temperature (TC1)	×1	°F	
	06	Indoor discharge air temperature (TF) *1	×1	°F	
	08	Indoor PMV opening	×1/10	pls	[0150]= 1500pls
	F3	Filter sign time	×1	h	[2500]= 2500h
	F9	Suction temperature of air to air heat exchanger (TSA) *1	×1	°F	[0080]= 80 °F
FA	Outside air temperature (TOA) *1	×1	°F		
System data	0A	No. of connected indoor units	×1	unit	[0048]=48 units
	0B	Total horsepower of connected indoor units	×10	ton	[0215]=21.5 ton
	0C	No. of connected outdoor units	×1	unit	[0003]=3 units
	0D	Total horsepower of outdoor units	×10	ton	[0160]=16 ton

	CODE No.			Data name	Display format	Unit	Remote controller display example
	U1	U2	U3				
Outdoor unit individual data 1 *3	10	20	30	High-pressure sensor detention pressure (PD)	×100	psi	[4350] = 435 psi
	11	21	31	Low-pressure sensor detention pressure (PS)	×100	psi	
	12	22	32	Compressor 1 discharge temperature (TD1)	×1	°F	[0080] = 80 °F
	13	23	33	Compressor 2 discharge temperature (TD2)	×1	°F	
	15	25	35	Outdoor coil temperature (TE1)	×1	°F	
	16	26	36	Outdoor coil temperature (TE2)	×1	°F	
	19	29	39	Outside ambient temperature (TO)	×1	°F	
	1A	2A	3A	Suction temperature (TS1)	×1	°F	
	1B	2B	3B	Suction temperature (TS2)	×1	°F	
	1D	2D	3D	Temperature at liquid side (TL1)	×1	°F	

	CODE No.			Data name	Display format	Unit	Remote controller display example
	U1	U2	U3				
Outdoor unit individual data 2 *4	50	60	70	PMV1 opening	×1	pls	[0500] = 500pls
	51	61	71	PMV3 opening	×1	pls	
	52	62	72	PMV4 opening	×1	pls	
	53	63	73	1 fan model : Compressor 1 current (I1) 2 fan model : Compressor 1 and Outdoor fan 1 current (I1)	×10	A	[0135] = 13.5A
	54	64	74	1 fan model : Compressor 2 and Outdoor fan 1 current (I2) 2 fan model : Compressor 2 and Outdoor fan 2 current (I2)	×10	A	
	56	66	76	Compressor 1 revolutions	×10	rps	[0642] = 64.2rps
	57	67	77	Compressor 2 revolutions	×10	rps	
	59	69	79	Outdoor fan mode	×1	mode	[0058] = 58 mode
	5A	6A	7A	Compressor IPDU 1 heat sink temperature	×1	°F	[0024] = 24 °F
	5B	6B	7B	Compressor IPDU 2 heat sink temperature	×1	°F	
	5D	6D	7D	Outdoor fan IPDU 1 heat sink temperature	×1	°F	
	5E	6E	7E	Outdoor fan IPDU 2 heat sink temperature	×1	°F	
	5F	6F	7F	Outdoor unit horsepower	×1	ton	[0080] = 8 ton

	CODE No.	Data name	Display format	Unit	Remote controller display example
Outdoor unit individual data 3 *5	90	Heating/cooling recovery controlled	0: Normal 1: Recovery controlled		[0010]=Heating recovery controlled [0001]=Cooling recovery controlled
	91	Pressure release			[0010]=Pressure release controlled
	92	Discharge temperature release			[0001]=Discharge temperature release controlled
	93	Follower unit release (U2/U3 outdoor units)	0: Normal 1: Release controlled		[0100]=U2 outdoor unit release controlled [0010]=U3 outdoor unit release controlled [0001]=U4 outdoor unit release controlled

\*1 Only a part of indoor unit types is installed with the discharge air temperature sensor. This temperature is not displayed for other types.

\*2 When the units are connected to a group, data of the header indoor unit only can be displayed.

\*3 The first digit of an CODE No. indicates the outdoor unit number.

\*4 The upper digit of an CODE No. -4 indicates the outdoor unit number.

1\*, 5\* ... U1 outdoor unit (Header unit)

2\*, 6\* ... U2 outdoor unit (Follower unit 1)

3\*, 7\* ... U3 outdoor unit (Follower unit 2)

\*5 Only the CODE No. 9\* of U1 outdoor unit (Header unit) is displayed.

## 8-8. Additional EMC Measures

If the customer, when prompted for the larger EMC measures of effect, please do the correspondence below.

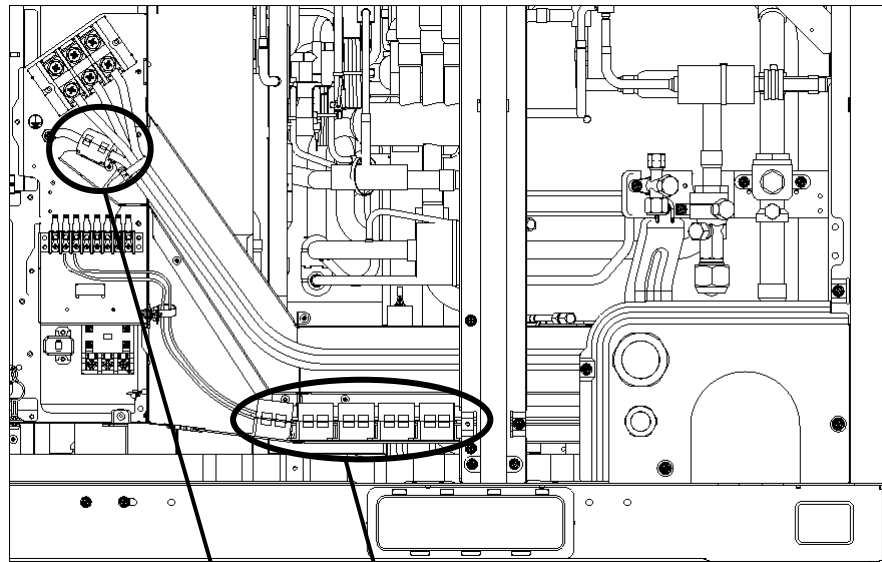
### **(1) Additional CLAMP-FILTER to the Earth-line and the Communication-lines**

We are preparing the CLAMP-FILTER for additional EMC measures as an option. In accordance with these the figure below, please add to all of the outdoor unit.

#### **Service Part No. 43T60472**

This service parts, contains the CLAMP-FILTER below.

No	Type name	Q'ty
A	ZCAT-3035-1330	1
B	E04SR401938	5



- A** The ZCAT-3035-1330 will be fixed to Earth-line.
- B** The E04SR401938 of 5pieces will be fixed to Communication-line.

### **(2) Additional General-purpose Noise Filter to the power-lines.**

On power-line of the each outdoor unit, even by inserting a general-purpose Noise Filter-Commercially available, it can inhibit the noise level generated from the device. Specification of the general-purpose Noise Filter, please refer the following.

Item	Unit	Value
Rated Voltage(AC,DC)	V	500V Three phase
Rated Current	A	100A

#### Example of general-purpose Noise Filter

Type name	RTHN-5100
Manufacturer	TDK-Lambda
Rated Voltage(AC,DC)	500V Three phase
Rated Current	100A
DC Resistance(total)	8mΩ
Operating Temp	-13 to 185°F (-25 to 85°C)
Size	430H x 161W x 85D

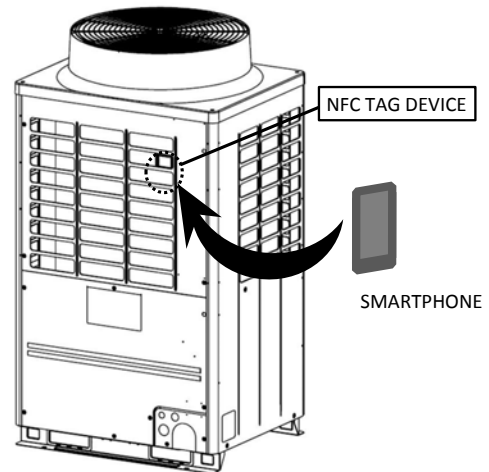


## 8-9. SMMS WAVE TOOL FOR SMARTPHONE

The NFC TAG DEVICE of the Outdoor unit communicates with SMARTPHONE that simplifies the install, the test operation and the maintenance of the SMMS-e. \*NFC (Near Field Communication)

As for the details, refer to the Operation Manual of "SMMS WAVE TOOL FOR SMARTPHONE"

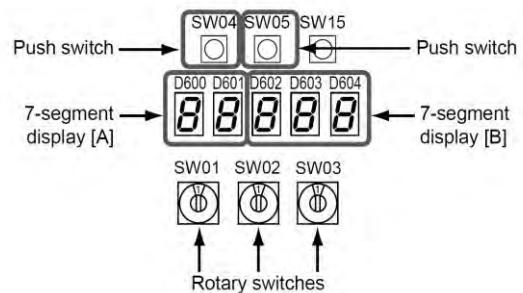
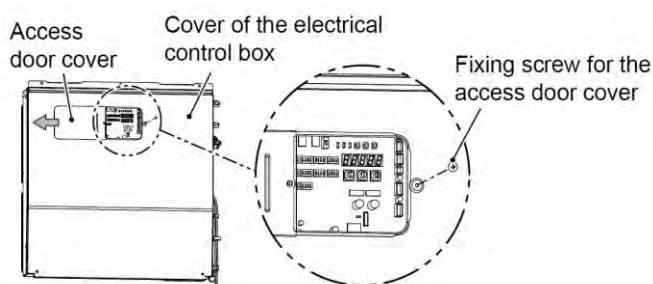
● You can download the Application and the Operating Manual from the below URL or QR code.



### 8-9-1. Prohibition/Permission of the NFC Setting

- This Application enables the functions of the auto-address setup and the test operation of the outdoor unit with Smartphone within 48 hours from the power input to the outdoor unit.
- You should decide whether to make use of the functions of the auto-address setup and test operation at its own responsibility and also be sure to confirm notices in the Operating Manual before performing the test operation.
- If you want to disable the functions of the auto-address setup and the test operation, perform the following operations.

#### ■ Switch setting of some functions prohibition



#### How to set the NFC operation all time prohibition

Follow the below procedure.

Step	Rotaly switch			Push switch	7-segment display	NFC operation setting
	SW01	SW02	SW03	SW04	[ A ] [ B ]	
(1)	2	1	14	-	[ nF ] [ c.00 ]	(Default setting) After the power input, :below 48 hours [NFC operation permit] :more than 48 hours [NFC operation prohibit]
(2)	2	1	14	Press for more than 5 secs	[ nF ] [ c.01 ]	NFC operation all time prohibition
(3)	1	1	1	-	[ U.1. ] [ - - - ]	Return the switch

### How to set the NFC operation all time permission

Follow the below procedure.

Step	Rotaly switch			Push switch	7-segment display	NFC operation setting
	SW01	SW02	SW03	SW04	[ A ] [ B ]	
(1)	2	1	14	-	[ nF ] [ c.00 ]	(Default setting) After the power input, :below 48 hours [NFC operation permit] :more than 48 hours [NFC operation prohibit]
	2	1	14	(Press 5 secs)	[ nF ] [ c.01 ]	NFC operation all time prohibition
(2)	2	1	14	Press for more than 10 secs	[ nF ] [ c.02 ]	NFC operation all time permission
(3)	1	1	1	-	[ U.1. ] [ - - - ]	Return the switch

\*Do it again if the 7-segment display is different from the above.

\*The functions other than the auto-address setup and test operation of this Application can work normally even if the functions of the auto-address setup and the test operation are disabled.

### **8-9-2. Confirmation for the generation of the trouble of the NFC**

When you can not read out the information of the NFC Tag Device with your Smartphone, perform the following operations after restarting the power supply of the outdoor unit.

If there is no problem, refer to the Operation Manual of "SMMS WAVE TOOL FOR SMARTPHONE".

Step	Rotaly switch			Push switch	7-segment display	NFC-I/F board communication
	SW01	SW02	SW03	SW04	[ A ] [ B ]	
(1)	2	16	14	-	[ nF ] [ c.Er ]	Abnormal
					[ nF ] [ c.00 ]	Normal
(2)	1	1	1	-	[ U.1. ] [ - - - ]	Return the switch

#### Trademark

Android is a trademark or registered trademark of Google Inc.

QR code is a trademark or registered trademark of DENSO WAVE Inc.

# 9 TROUBLESHOOTING

## 9-1. Overview

(1) Before engaging in troubleshooting

(a) Applicable models

All Super Heat Recovery Multi (SHRM-e) models.

(Indoor units: MM\*-AP\*\*\*, Outdoor units: MMY-MAP\*\*\*6\*-UL)

(b) Tools and measuring devices required

(c) Screwdrivers (Philips, flat head), spanners, long-nose pliers, nipper, pin to push reset switch, etc.

(d) Multimeter, thermometer, pressure gauge, etc.

(e) Things to check prior to troubleshooting (behaviors listed below are normal)

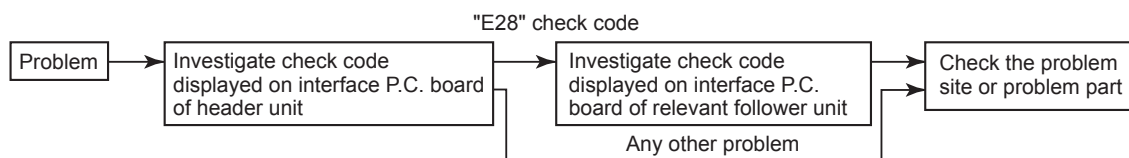
NO.	Behavior	Possible cause
1	A compressor would not start	<ul style="list-style-type: none"> <li>• Could it just be the 3-minute delay period (3 minutes after compressor shutdown)?</li> <li>• Could it just be the air conditioner having gone thermostats OFF?</li> <li>• Could it just be the air conditioner operating in fan mode or put on the timer?</li> <li>• Could it just be the system going through initial communication?</li> </ul>
2	An indoor fan would not start	<ul style="list-style-type: none"> <li>• Could it just be cold air discharge prevention control, which is part of heating?</li> </ul>
3	An outdoor fan would not start or would change speed for no reason	<ul style="list-style-type: none"> <li>• Could it just be cooling operation under low outside temperature conditions?</li> <li>• Could it just be defrosting operation?</li> </ul>
4	An indoor fan would not stop	<ul style="list-style-type: none"> <li>• Could it just be the elimination of residual heat being performed as part of the air conditioner shutdown process after heating operation?</li> </ul>
5	The air conditioner would not respond to a start/stop command from a remote controller	<ul style="list-style-type: none"> <li>• Could it just be the air conditioner operation under external or remote control?</li> </ul>

### CAUTION

The cooling performance may decline considerably when total operating capacity of cooling indoor units is less than 036type while ambient temperature is below.

(2) Troubleshooting procedure

When a problem occurs, proceed with troubleshooting in accordance with the procedure shown below.



### NOTE

Rather than a product trouble (see the List of Check Codes below), the problem could have been caused by a microprocessor malfunction attributable to a poor quality of the power source or an external noise. Check for possible noise sources, and shield the remote controller wiring and signal wires as necessary.

## 9-2. Troubleshooting Method

The remote controllers (main remote controller and central control remote controller) and the interface P.C. board of an outdoor unit are provided with an LCD display (remote controller) or a 7-segment display (outdoor interface P.C. board) to display operational status. Using this self-diagnosis feature, the problem site/problem part may be identified in the event of a problem by following the method described below.

The list below summarizes check codes detected by various devices. Analyze the check code according to where it is displayed and work out the nature of the problem in consultation with the list.

- When investigating a problem on the basis of a display provided on the indoor remote controller or TCC-LINK central control remote controller - See the "TCC-LINK remote control or main remote controller display" section of the list.
- When investigating a problem on the basis of a display provided on an outdoor unit - See the "Outdoor 7-segment display" section of the list.
- When investigating a problem on the basis of a wireless remote controller-controlled indoor unit - See the "Light sensor indicator light block" section of the list.

### List of Check Codes (Indoor Unit)

(Check code detected by indoor unit)

IPDU: Intelligent Power Drive Unit (Inverter P.C. board)

○ : Lighting, ⊙ : Flashing, ● : Goes off

ALT.: Flashing is alternately when there are two flashing LED

SIM: Simultaneous flashing when there are two flashing LED

Check code			Display of receiving unit				Typical problem site	Description of Check code
TCC-LINK central control or main remote controller display	Outdoor 7-segment display		Indicator light block					
		Sub-code	Operation ⏴	Timer ⏵	Ready ⊙	Flash ⊙		
E03	-	-	⊙	●	●		Indoor-remote controller periodic communication trouble	Communication from remote controller or network adaptor has been lost (so has central control communication).
E04	-	-	●	●	⊙		Indoor-outdoor periodic communication trouble	Signals are not being received from outdoor unit.
E08	E08	Duplicated indoor address	⊙	●	●		Duplicated indoor address	Indoor unit detects address identical to its own.
E10	-	-	⊙	●	●		Indoor inter-MCU communication trouble	MCU communication between main controller and motor microcontroller is troubled.
E11	-	-	⊙	●	●		Communication check code between Application control kit and indoor unit	Communication check code between Application control kit and indoor unit P.C. board
E17	-	-	⊙	●	●		Communication trouble between indoor unit(s) and FS unit(s)	There is no communication from FS unit(s)
E18	-	-	⊙	●	●		Trouble in periodic communication between indoor header and follower unit	Periodic communication between indoor header and follower units cannot be maintained.
F01	-	-	⊙	⊙	●	ALT	Indoor heat exchanger temperature sensor (TCJ) trouble	Heat exchanger temperature sensor (TCJ) has been open/short-circuited.
F02	-	-	⊙	⊙	●	ALT	Indoor heat exchanger temperature sensor (TC2) trouble	Heat exchanger temperature sensor (TC2) has been open/short-circuited.
F03	-	-	⊙	⊙	●	ALT	Indoor heat exchanger temperature sensor (TC1) trouble	Heat exchanger temperature sensor (TC1) has been open/short-circuited.
F10	-	-	⊙	⊙	●	ALT	Room air temperature sensor (TA/TSA) trouble	Room air temperature sensor (TA) has been open/short-circuited.
F11	-	-	⊙	⊙	●	ALT	Discharge air temperature sensor (TF/TFA) trouble	Discharge air temperature sensor (TF) has been open/short-circuited.
F17	-	-	⊙	⊙	○	ALT	Outside air suction temperature sensor (TOA) trouble	Open/Short of outside air suction temperature sensor (TOA) was detected.
F18	-	-	⊙	⊙	○	ALT	Indoor air suction temperature sensor (TRA) trouble	Discharge air temperature sensor (TF) has been open/short-circuited.
F29	-	-	⊙	⊙	●	SIM	P.C. board or other indoor trouble	Open/Short of indoor air suction temperature sensor (TRA) was detected.
J03	-	-	●	⊙	⊙		Duplicated FS units	More than one FS units have been set up in one refrigerant line.
J10	J10	Detected indoor unit No.	●	⊙	⊙		FS unit overflow trouble	FS unit has been shutdown in one refrigerant line due to detection of overflow
J11	-	-	●	⊙	⊙		FS unit temperature sensor(TCS) trouble	FS unit temperature sensor(TCS) has been open/short-circuited.
L03	-	-	⊙	●	⊙	SIM	Duplicated indoor group header unit	There is more than one header unit in group.
L07	-	-	⊙	●	⊙	SIM	Connection of group control cable to stand-alone indoor unit	There is at least one stand-alone indoor unit to which group control cable is connected.
L08	L08	-	⊙	●	⊙	SIM	Indoor group address not set	Address setting has not been performed for one or more indoor units (also detected at outdoor unit end).
L09	-	-	⊙	●	⊙	SIM	Indoor capacity not set	Capacity setting has not been performed for indoor unit.
L18	L18	Detected indoor unit No.	⊙	○	⊙	SIM	Cooling/heating selection unit trouble	Cooling/heating cycle trouble resulting from piping trouble is detected
L20	-	-	⊙	○	⊙	SIM	Duplicated central control address	There is duplication in central control address setting.
L30	L30	Detected indoor unit No.	⊙	○	⊙	SIM	Indoor external trouble input (interlock)	Unit shutdown has been caused by external trouble input (CN80).

## List of Check Codes (Indoor Unit)

(Check code detected by indoor unit)

Check code			Display of receiving unit				Typical problem site	Description of Check code
TCC-LINK central control or main remote controller display	Outdoor 7-segment display		Indicator light block					
		Sub-code	Operation ⏻	Timer ⌚	Ready ⊙	Flash ⚡		
P01	–	–	●	⊙	⊙	ALT	Indoor AC fan trouble	Indoor AC fan trouble is detected (activation of fan motor thermal relay).
P10	P10	Detected indoor unit No.	●	⊙	⊙	ALT	Indoor overflow trouble	Float switch has been activated.
P12	–	–	●	⊙	⊙	ALT	Indoor DC fan trouble	Indoor DC fan trouble (e.g. overcurrent or lock-up) is detected.
P31	–	–	⊙	●	⊙	ALT	Other indoor unit trouble	Follower unit cannot be operated due to header unit alarm (E03/L03/L07/L08).

(Check code detected by main remote controller)

Check code			Display of receiving unit				Typical problem site	Description of check code
Main remote controller	Outdoor 7-segment display		Indicator light block					
		Sub-code	Operation ⏻	Timer ⌚	Ready ⊙	Flash ⚡		
E01	–	–	⊙	●	●		No master remote controller, troubled remote controller communication (reception)	Signals cannot be received from indoor unit; master remote controller has not been set (including two remote controller control).
E02	–	–	⊙	●	●		Trouble remote controller communication (transmission)	Signals cannot be transmitted to indoor unit.
E09	–	–	⊙	●	●		Duplicated master remote controller	Both remote controllers have been set as master remote controller in two remote controller control (alarm and shutdown for header unit and continued operation for follower unit)

(Check code detected by central control device)

Check code			Display of receiving unit				Typical problem site	Description of check code
TCC-LINK central control	Outdoor 7-segment display		Indicator light block					
		Sub-code	Operation ⏻	Timer ⌚	Ready ⊙	Flash ⚡		
C05	–	–					Troubled central control communication (transmission)	Central control device is unable to transmit signal due to duplication of central control device.
C06	–	–					Troubled central control communication (reception)	Central control device is unable to receive signal.
–	–	–					Multiple network adapters	Multiple network adapters are connected to remote controller communication line.
C12	–	–				–	Blanket alarm for general-purpose device control interface	Device connected to general-purpose device control interface for TCC-LINK is faulty.
P30	–	–					Group control follower unit trouble	Group follower unit is troubled (unit No. and above detail [***] displayed on main remote controller)

Note: The same trouble, e.g. a communication trouble, may result in the display of different check codes depending on the device that detects it. Moreover, check codes detected by the main remote controller/central control device do not necessarily have a direct impact on air conditioner operation.

## List of Check Codes (Outdoor Unit)

(Check code detected by SHRM-e outdoor interface - typical examples)

If "HELLO" is displayed on the outdoor 7-segment for 1 minute or more, turn off the power supply once and then turn on the power supply again after passage of 30 seconds or more. When the same symptom appears, it is considered there is a possibility of I/F board trouble.

IPDU: Intelligent Power Drive Unit (Inverter P.C. board)

○ : Lighting, ◎ : Flashing, ● : Goes off

ALT.: Flashing is alternately when there are two flashing LED

SIM: Simultaneous flashing when there are two flashing LED

Check code		TCC-LINK central control or main remote controller display	Display of receiving unit				Typical problem site	Description of check code																																																																																
Outdoor 7-segment display			Indicator light block																																																																																					
Sub-code			Operation ⏻	Timer ⌚	Ready ⊙	Flash																																																																																		
E06	Number of indoor units from which signal is received normally	E06	●	●	◎		Signal lack of indoor unit	Indoor unit initially communicating normally fails to return signal (reduction in number of indoor units connected).																																																																																
E07	—	(E04)	●	●	◎		Indoor-outdoor communication circuit trouble	Signal cannot be transmitted to indoor units (→ indoor units left without communication from outdoor unit).																																																																																
E08	Duplicated indoor address	(E08)	◎	●	●		Duplicated indoor address	More than one indoor unit are assigned same address (also detected at indoor unit end).																																																																																
E12	01: Indoor-outdoor communication 02: Outdoor-outdoor communication	E12	◎	●	●		Automatic address starting trouble	<ul style="list-style-type: none"> <li>Indoor automatic address setting is started while automatic address setting for equipment in other refrigerant line is in progress.</li> <li>Outdoor automatic address setting is started while automatic address setting for indoor units is in progress.</li> </ul>																																																																																
E15	—	E15	●	●	◎		Indoor unit not found during automatic address setting	Indoor unit fails to communicate while automatic address setting for indoor units is in progress.																																																																																
E16	00: Overloading 01: Number of units connected	E16	●	●	◎		Too many indoor units connected/overloading	Combined capacity of indoor units is too large (more than 135% of combined capacity of outdoor units).																																																																																
E19	00: No header unit 02: Two or more header units	E19	●	●	◎		Trouble in number of outdoor header units	There is no or more than one outdoor header unit in one refrigerant line.																																																																																
E20	01: Connection of outdoor unit from other refrigerant line 02: Connection of indoor unit from other refrigerant line	E20	●	●	◎		Connection to other refrigerant line found during automatic address setting	Indoor unit from other refrigerant line is detected while indoor automatic address setting is in progress.																																																																																
E23	—	E23	●	●	◎		Outdoor-outdoor communication transmission trouble	Signal cannot be transmitted to other outdoor units.																																																																																
E25	—	E25	●	●	◎		Duplicated follower outdoor address	There is duplication in outdoor addresses set manually.																																																																																
E26	Address of outdoor unit from which signal is not received normally	E26	●	●	◎		Signal lack of outdoor unit	Follower outdoor unit initially communicating normally fails to do so (reduction in number of follower outdoor units connected).																																																																																
E28	Detected outdoor unit No.	E28	●	●	◎		Outdoor follower unit trouble	Outdoor header unit detects fault relating to follower outdoor unit (detail displayed on follower outdoor unit).																																																																																
E31	<table border="1" style="width: 100%; border-collapse: collapse; text-align: center;"> <thead> <tr> <th colspan="2">A3-IPDU</th> <th colspan="2">Fan-IPDU</th> <th colspan="2">A3-IPDU</th> <th colspan="2">Fan-IPDU</th> </tr> <tr> <th>1</th><th>2</th><th>1</th><th>2</th><th>1</th><th>2</th><th>1</th><th>2</th> </tr> </thead> <tbody> <tr><td>01</td><td>○</td><td></td><td></td><td>10</td><td></td><td></td><td>○</td></tr> <tr><td>02</td><td></td><td>○</td><td></td><td>11</td><td>○</td><td></td><td>○</td></tr> <tr><td>03</td><td>○</td><td>○</td><td></td><td>12</td><td></td><td>○</td><td>○</td></tr> <tr><td>08</td><td></td><td></td><td>○</td><td>13</td><td>○</td><td>○</td><td>○</td></tr> <tr><td>09</td><td>○</td><td></td><td>○</td><td>18</td><td></td><td>○</td><td>○</td></tr> <tr><td>0A</td><td></td><td>○</td><td>○</td><td>19</td><td>○</td><td>○</td><td>○</td></tr> <tr><td>0B</td><td>○</td><td>○</td><td>○</td><td>1A</td><td>○</td><td>○</td><td>○</td></tr> <tr><td></td><td></td><td></td><td></td><td>1B</td><td>○</td><td>○</td><td>○</td></tr> </tbody> </table> <p style="text-align: center;">Circle (O): troubled IPDU</p> <p>80 : Communication trouble between MCU and Sub MCU</p>	A3-IPDU		Fan-IPDU		A3-IPDU		Fan-IPDU		1	2	1	2	1	2	1	2	01	○			10			○	02		○		11	○		○	03	○	○		12		○	○	08			○	13	○	○	○	09	○		○	18		○	○	0A		○	○	19	○	○	○	0B	○	○	○	1A	○	○	○					1B	○	○	○	E31	●	●	◎		IPDU communication trouble Sub MCU communication trouble	There is no communication between IPDUs (P.C. boards) in inverter box.
A3-IPDU		Fan-IPDU		A3-IPDU		Fan-IPDU																																																																																		
1	2	1	2	1	2	1	2																																																																																	
01	○			10			○																																																																																	
02		○		11	○		○																																																																																	
03	○	○		12		○	○																																																																																	
08			○	13	○	○	○																																																																																	
09	○		○	18		○	○																																																																																	
0A		○	○	19	○	○	○																																																																																	
0B	○	○	○	1A	○	○	○																																																																																	
				1B	○	○	○																																																																																	
F04	—	F04	◎	◎	○	ALT	Outdoor discharge temperature sensor (TD1) trouble	Outdoor discharge temperature sensor (TD1) has been open/short-circuited.																																																																																
F05	—	F05	◎	◎	○	ALT	Outdoor discharge temperature sensor (TD2) trouble	Outdoor discharge temperature sensor (TD2) has been open/short-circuited.																																																																																
F06	01: TE1 02: TE2	F06	◎	◎	○	ALT	Outdoor heat exchanger liquid side temperature sensor (TE1, TE2) trouble	Outdoor heat exchanger liquid side temperature sensors (TE1, TE2) have been open/short-circuited.																																																																																
F07	01: TL1	F07	◎	◎	○	ALT	Outdoor liquid temperature sensor (TL1) trouble	Outdoor liquid temperature sensor (TL1) has been open/short-circuited.																																																																																
F08	—	F08	◎	◎	○	ALT	Outdoor outside air temperature sensor (TO) trouble	Outdoor outside air temperature sensor (TO) has been open/short-circuited.																																																																																

Check code		Display of receiving unit				Typical problem site	Description of check code	
Outdoor 7-segment display		TCC-LINK central control or main remote controller display	Indicator light block					Flash
Sub-code			Operation 	Timer 	Ready 			
F12	01: TS1 02: TS2	F12	☉	☉	○	ALT	Outdoor suction temperature sensor (TS1,TS2) trouble	Outdoor suction temperature sensor (TS1,TS2) has been open/short-circuited.
F15	–	F15	☉	☉	○	ALT	oor temperature sensor (TE1,TL1) wiring trouble	Wiring trouble in outdoor temperature sensors (TE1,TL1) has been detected.
F16	–	F16	☉	☉	○	ALT	Outdoor pressure sensor (PD, PS) wiring trouble	Wiring trouble in outdoor pressure sensors (PD, PS) has been detected.
F23	–	F23	☉	☉	○	ALT	Low pressure sensor (PS) trouble	Output voltage of low pressure sensor (PS) is zero.
F24	–	F24	☉	☉	○	ALT	High pressure sensor (PD) trouble	Output voltage of high pressure sensor (PD) is zero or provides abnormal readings when compressors have been turned off.
F31	–	F31	☉	☉	○	SIM	Outdoor EEPROM trouble	Outdoor EEPROM is troubled (alarm and shutdown for header unit and continued operation for follower unit)
H05	–	H05	●	☉	●		Outdoor discharge temperature sensor (TD1) wiring trouble	Wiring/installation trouble or detachment of outdoor discharge temperature sensor (TD1) has been detected.
H06	–	H06	●	☉	●		Activation of low-pressure protection	Low pressure (Ps) sensor detects abnormally low operating pressure.
H07	–	H07	●	☉	●		Low oil level protection	Temperature sensor for oil level detection (TK1,TK2,TK4,TK5) detects abnormally low oil level.
H08	01: TK1 sensor trouble 02: TK2 sensor trouble 04: TK4 sensor trouble 05: TK5 sensor trouble	H08	●	☉	●		Trouble in temperature sensor for oil level detection (TK1,TK2,TK4,TK5)	Temperature sensor for oil level detection (TK1,TK2,TK4,TK5) has been open/short-circuited.
H15	–	H15	●	☉	●		Outdoor discharge temperature sensor (TD2) wiring trouble	Wiring/installation trouble or detachment of outdoor discharge temperature sensor (TD2) has been detected.
H16	01: TK1 oil circuit trouble 02: TK2 oil circuit trouble 04: TK4 oil circuit trouble 05: TK5 oil circuit trouble	H16	●	☉	●		Oil level detection circuit trouble	No temperature change is detected by temperature sensor for oil level detection (TK1,TK2,TK4,TK5) despite compressor having been started.
J10	Detected indoor unit No.	J10	●	☉	☉		FS unit overflow trouble	FS unit has been shutdown in one refrigerant line due to detection of overflow
L04	–	L04	☉	○	☉	SIM	Duplicated outdoor refrigerant line address	Identical refrigerant line address has been assigned to outdoor units belonging to different refrigerant piping systems.
L06	Number of priority indoor units (check code L05 or L06 depending on individual unit)	L05	☉	●	☉	SIM	Duplicated priority indoor unit (as displayed on priority indoor unit)	More than one indoor unit have been set up as priority indoor unit.
		L06	☉	●	☉	SIM	Duplicated priority indoor unit (as displayed on indoor unit other than priority indoor unit)	More than one indoor unit have been set up as priority indoor unit.
L08	–	(L08)	☉	●	☉	SIM	Indoor group address not set	Address setting have not been performed for one or more indoor units (also detected at indoor end).
L10	Detected indoor unit No.	L10	☉	○	☉	SIM	Outdoor capacity not set	Outdoor unit capacity has not been set (after P.C. board replacement).
L12	01: FS unit (S) installation trouble	L12	☉	○	☉		FS unit(s) system trouble	FS unit(s) outside the application setting
L17	–	L17	☉	○	☉	SIM	Outdoor model incompatibility trouble	Old model outdoor unit (prior to 6 series) has been connected.
L18	Detected indoor unit No.	L18	☉	○	☉	SIM	Cooling/heating selection unit trouble	Cooling/heating cycle trouble resulting from piping trouble is detected
L23	–	L23	☉	○	☉	SIM	SW setting mistake	Bit 3 and 4 of SW17 are turning on.
L24	01: Duplication of FS units address 02: Indoor units operation mode priority setting	L24	☉	○	☉		FS unit(s) setting trouble	•FS unit(s) detects address identical to its own. •Duplicated priority indoor units operation mode.
L28	–	L28	☉	○	☉	SIM	Too many outdoor units connected	More than three outdoor units have been connected.

Check code				Display of receiving unit				Typical problem site	Description of check code																																																																																																						
Outdoor 7-segment display				Indicator light block																																																																																																											
Sub-code	TCC-LINK central control or main remote controller display				Operation	Timer	Ready	Flash																																																																																																							
	1	2	1	2	⓪	⓪	⓪																																																																																																								
L29	<table border="1"> <thead> <tr> <th></th> <th colspan="2">A3-IPDU</th> <th colspan="2">Fan-IPDU</th> <th></th> <th colspan="2">A3-IPDU</th> <th colspan="2">Fan-IPDU</th> </tr> <tr> <th></th> <th>1</th> <th>2</th> <th>1</th> <th>2</th> <th></th> <th>1</th> <th>2</th> <th>1</th> <th>2</th> </tr> </thead> <tbody> <tr> <td>01</td> <td>○</td> <td></td> <td></td> <td></td> <td>10</td> <td></td> <td></td> <td></td> <td>○</td> </tr> <tr> <td>02</td> <td></td> <td>○</td> <td></td> <td></td> <td>11</td> <td>○</td> <td></td> <td></td> <td>○</td> </tr> <tr> <td>03</td> <td>○</td> <td>○</td> <td></td> <td></td> <td>12</td> <td></td> <td>○</td> <td></td> <td>○</td> </tr> <tr> <td>08</td> <td></td> <td></td> <td>○</td> <td></td> <td>13</td> <td>○</td> <td>○</td> <td></td> <td>○</td> </tr> <tr> <td>09</td> <td>○</td> <td></td> <td>○</td> <td></td> <td>18</td> <td></td> <td></td> <td>○</td> <td>○</td> </tr> <tr> <td>0A</td> <td></td> <td>○</td> <td>○</td> <td></td> <td>19</td> <td>○</td> <td></td> <td>○</td> <td>○</td> </tr> <tr> <td>0B</td> <td>○</td> <td>○</td> <td>○</td> <td></td> <td>1A</td> <td></td> <td>○</td> <td>○</td> <td>○</td> </tr> <tr> <td></td> <td></td> <td></td> <td></td> <td></td> <td>1B</td> <td>○</td> <td>○</td> <td>○</td> <td>○</td> </tr> </tbody> </table> <p>Circle (○): Troubled IPDU</p>					A3-IPDU		Fan-IPDU			A3-IPDU		Fan-IPDU			1	2	1	2		1	2	1	2	01	○				10				○	02		○			11	○			○	03	○	○			12		○		○	08			○		13	○	○		○	09	○		○		18			○	○	0A		○	○		19	○		○	○	0B	○	○	○		1A		○	○	○						1B	○	○	○	○	L29	⓪	○	⓪	SIM	Trouble in number of IPDUs.	There are insufficient number of IPDUs (P.C. boards) in inverter box
	A3-IPDU		Fan-IPDU			A3-IPDU		Fan-IPDU																																																																																																							
	1	2	1	2		1	2	1	2																																																																																																						
01	○				10				○																																																																																																						
02		○			11	○			○																																																																																																						
03	○	○			12		○		○																																																																																																						
08			○		13	○	○		○																																																																																																						
09	○		○		18			○	○																																																																																																						
0A		○	○		19	○		○	○																																																																																																						
0B	○	○	○		1A		○	○	○																																																																																																						
					1B	○	○	○	○																																																																																																						
L30	Detected indoor unit No.				(L30)	⓪	○	⓪	SIM	Indoor external trouble input (interlock)	Indoor unit has been shut down for external trouble input in one refrigerant line (detected by indoor unit).																																																																																																				
P03	-				P03	⓪	●	⓪	ALT	Outdoor discharge (TD1) temperature trouble	Outdoor discharge temperature sensor (TD1) has detected abnormally high temperature.																																																																																																				
P05	00: Open phase detected				P05	⓪	●	⓪	ALT	Open phase/power failure	Open phase is detected when power is turned on. Inverter DC voltage is too high (overvoltage) or too low (undervoltage).																																																																																																				
	01: Compressor 1 02: Compressor 2									Inverter DC voltage (Vdc) trouble MG-CTT trouble																																																																																																					
P07	01: Compressor 1 02: Compressor 2				P07	⓪	●	⓪	ALT	Heat sink overheating trouble	Temperature sensor built into IPM (TH) detects overheating.																																																																																																				
P10	Indoor unit No. detected				(P10)	●	⓪	⓪	ALT	Indoor unit overflow	Indoor unit has been shutdown in one refrigerant line due to detection of overflow (detected by indoor unit).																																																																																																				
P13	-				P13	●	⓪	⓪	ALT	Outdoor liquid backflow detection trouble	State of refrigerant cycle circuit indicates liquid backflow operation.																																																																																																				
P15	01: TS condition 02: TD condition				P15	⓪	●	⓪	ALT	Gas leak detection	Outdoor suction temperature sensor (TS1) detects sustained and repeated high temperatures that exceed standard value.																																																																																																				
P17	-				P17	⓪	●	⓪	ALT	Outdoor discharge (TD2) temperature trouble	Outdoor discharge temperature sensor (TD2) detects abnormally high temperature.																																																																																																				
P19	Outdoor unit No. detected				P19	⓪	●	⓪	ALT	4-way valve reversing trouble	Abnormality in refrigerating cycle is detected during heating operation.																																																																																																				
P20	-				P20	⓪	●	⓪	ALT	Activation of high-pressure protection	High pressure (PD) sensor detects high pressure that exceeds standard value.																																																																																																				

MG-CTT: Magnet contactor



(Check code detected by IPDU featuring in SHRM-e standard outdoor unit - typical examples)

Check code			Display of receiving unit				Typical problem site	Description of check code
Outdoor 7-segment display		TCC-LINK central control or main remote controller display	Indicator light block			Flash		
Sub-code			Operation 	Timer 	Ready 			
F13	01: Compressor 1 02: Compressor 2	F13	◎	◎	○	ALT	Trouble in temperature sensor built into indoor IPM (TH)	Temperature sensor built into indoor IPM (TH) has been open/short-circuited.
H01	01: Compressor 1 02: Compressor 2	H01	●	◎	●		Compressor breakdown	Inverter current (Idc) detection circuit detects overcurrent.
H02	01: Compressor 1 02: Compressor 2	H02	●	◎	●		Compressor trouble (lockup)	Compressor lockup is detected
H03	01: Compressor 1 02: Compressor 2	H03	●	◎	●		Current detection circuit trouble	Abnormal current is detected while inverter compressor is turned off.
P02	01: Compressor 1 02: Compressor 2	P02	◎	●	◎	ALT	Boost converter circuit trouble	Protection for boost converter circuit is activated.
P04	01: Compressor 1 02: Compressor 2	P04	◎	●	◎	ALT	Activation of high-pressure SW	High-pressure SW is activated.
P07	01: Compressor 1 02: Compressor 2	P07	◎	●	◎	ALT	Heat sink overheating trouble	Temperature sensor built into IPM (TH) detects overheating or has been short-circuited.
P22	#0:Element short circuit #1:Position detection circuit trouble #3:Motor lock trouble #4:Motor current trouble #C:TH Sensor temperature trouble #D:TH Sensor short circuit/release trouble #E:Vdc voltage trouble *Put in Fan IPDU No. in [#] mark	P22	◎	●	◎	ALT	Outdoor fan IPDU trouble	Outdoor fan IPDU detects trouble.
P26	01: Compressor 1 02: Compressor 2	P26	◎	●	◎	ALT	Activation of IPM short-circuit protection	Short-circuit protection for compressor motor driver circuit components is activated (momentary overcurrent).
P29	01: Compressor 1 02: Compressor 2	P29	◎	●	◎	ALT	Compressor position detection circuit trouble	Compressor motor position detection trouble is detected.

Note: The above check codes are examples only, and different check codes may be displayed depending on the outdoor unit configuration

## 9-3. Troubleshooting Based on Information Displayed on Remote Controller

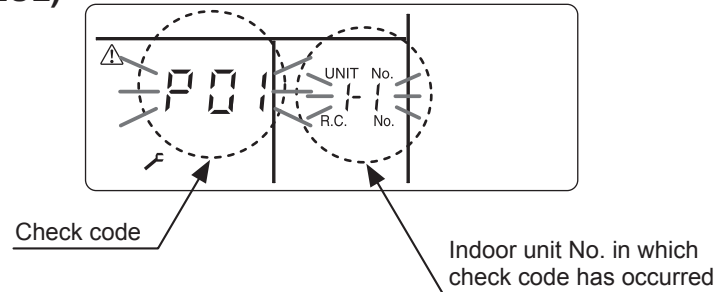
### Using main remote controller (RBC-AMT32UL)

#### (1) Checking and testing

When a problem occurs to an air conditioner, a check code and indoor unit No. are displayed on the display window of the remote controller.

Check codes are only displayed while the air conditioner is in operation.

If the display has already disappeared, access check code history by following the procedure described below.



#### (2) Check code history

The check code history access procedure is described below (up to four check code stored in memory).

Check code history can be accessed regardless of whether the air conditioner is in operation or shut down.

<Procedure> To be performed when system at rest

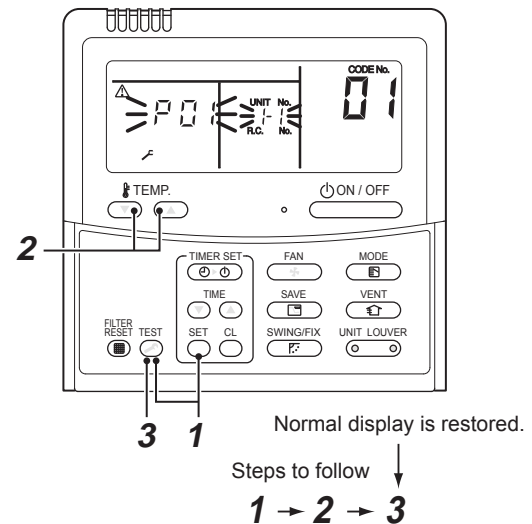
- 1 Invoke the **SERVICE CHECK mode** by pressing the **TEST** + **SET** buttons simultaneously and holding for at least **4 seconds**.

The letters "SERVICE CHECK" light up, and the check code "01" is displayed, indicating the check code history. This is accompanied by the indoor unit No. to which the check code history is related and a check code.

- 2 To check other check code history items, press **TEMP.** button to select another check code.

Check code "01" (latest) → Check code "04" (oldest)  
Note: Check code history contains four items.

- 3 When the **TEST** button is pushed, normal display is restored.



### REQUIREMENT

Do not push the **TEST** button as it would erase the whole check code history of the indoor unit.

### How to read displayed information

<7-segment display symbols>

0 1 2 3 4 5 6 7 8 9 A b C d E F H J L P

<Corresponding alphanumerical letters>

0 1 2 3 4 5 6 7 8 9 A b C d E F H J L P

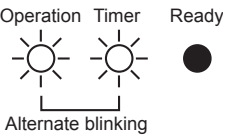
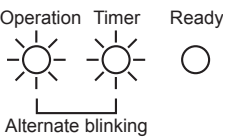
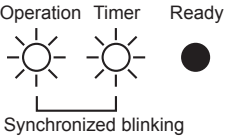
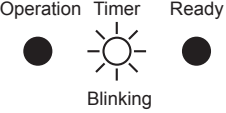
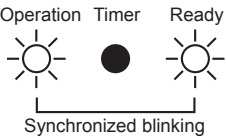
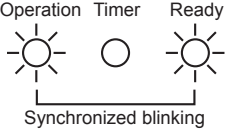
## Using indoor unit indicators (receiving unit light block) (wireless type)


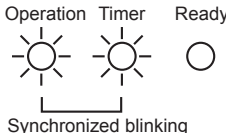
To identify the check code, check the 7-segment display on the header unit. To check for check codes not displayed on the 7-segment display, consult the "List of Check Codes (Indoor Unit)" in "9-2. Troubleshooting Method".

●: Goes off ○: Lighting ☀: Blinking (0.5 seconds)

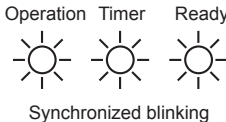
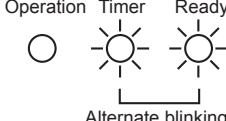
Light block	Check code	Cause of check code		
Operation ● Timer ● Ready ● All lights out	-	Power turned off or trouble in wiring between receiving and indoor units		
Operation ☀ Timer ● Ready ● Blinking	E01	Troubled reception	Receiving unit	Trouble or poor contact in wiring between receiving and indoor units
	E02	Troubled transmission		
	E03	Loss of communication		
		E08	Duplicated indoor unit No. (address)	Setting trouble
		E09	Duplicated master remote controller	
		E10	Indoor unit inter-MCU communication trouble	
		E11	Communication trouble between Application control kit and indoor unit P.C. board	
		E12	Automatic address starting trouble	
		E17	Communication trouble between indoor unit(s) and FS unit(s)	
		E18	Trouble or poor contact in wiring between indoor units, indoor power turned off	
Operation ● Timer ● Ready ☀ Blinking		E04	Trouble or poor contact in wiring between indoor and outdoor units (loss of indoor-outdoor communication)	
	E06	Troubled reception in indoor-outdoor communication (Signal lack of indoor unit)		
	E07	Troubled transmission in indoor-outdoor communication		
	E15	Indoor unit not found during automatic address setting		
	E16	Too many indoor units connected/overloading		
	E19	Trouble in number of outdoor header units		
	E20	Detection of refrigerant piping communication trouble during automatic address setting		
	E23	Troubled transmission in outdoor-outdoor communication		
	E25	Duplicated follower outdoor address		
	E26	Troubled reception in outdoor-outdoor communication, Signal lack of outdoor unit		
	E28	Outdoor follower unit trouble		
	E31	IPDU communication trouble, sub MCU communication trouble		
	Operation ● Timer ☀ Ready ☀ Alternate blinking	P01	Indoor AC fan trouble	
P10		Indoor overflow trouble		
P12		Indoor DC fan trouble		
P13		Outdoor liquid backflow detection trouble		
Operation ☀ Timer ● Ready ☀ Alternate blinking	P02	Boost converter circuit trouble		
	P03	Outdoor discharge (TD1) temperature trouble		
	P04	Activation of outdoor high-pressure SW		
	P05	Open phase/power failure Inverter DC voltage (Vdc) trouble MG-CTT trouble		
	P07	Outdoor heat sink overheating trouble - Poor cooling of electrical component (IPM) of outdoor unit		
	P15	Gas leak detection - insufficient refrigerant charging		
	P17	Outdoor discharge (TD2) temperature trouble		
	P19	Outdoor 4-way valve reversing trouble		
	P20	Activation of high-pressure protection		
	P22	Outdoor fan IPDU trouble		
	P26	Outdoor IPM short-circuit trouble		
	P29	Compressor position detection circuit trouble		
	P31	Shutdown of other indoor unit in group due to fault (group follower unit trouble)		

MG-CTT: Magnet contactor

Light block	Check code	Cause of check code	
Operation Timer Ready  Alternate blinking	F01	Heat exchanger temperature sensor (TCJ) trouble	Indoor unit temperature sensor troubles
	F02	Heat exchanger temperature sensor (TC2) trouble	
	F03	Heat exchanger temperature sensor (TC1) trouble	
	F10	Ambient temperature sensor (TA/TSA) trouble	
	F11	Discharge temperature sensor (TF) trouble	
Operation Timer Ready  Alternate blinking	F04	Discharge temperature sensor (TD1) trouble	Outdoor unit temperature sensor troubles
	F05	Discharge temperature sensor (TD2) trouble	
	F06	Heat exchanger temperature sensor (TE1, TE2) trouble	
	F07	Liquid temperature sensor (TL1) trouble	
	F08	Outside air temperature sensor (TO) trouble	
	F12	Suction temperature sensor (TS1, TS2) trouble	
	F13	Heat sink sensor (TH) trouble	
	F15	Wiring trouble in heat exchanger sensor (TE1) and liquid temperature sensor (TL1) Outdoor unit temperature sensor wiring/installation trouble	
	F16	Wiring trouble in outdoor high pressure sensor (PD) and low pressure sensor (PS) Outdoor pressure sensor wiring trouble	
	F17	Outside air suction temperature sensor (TOA) trouble	
	F18	Indoor air suction temperature sensor (TRA) trouble	
	F23	Low pressure sensor (PS) trouble	Outdoor unit pressure sensor troubles
	F24	High pressure sensor (PD) trouble	
	Operation Timer Ready  Synchronized blinking	F29	Fault in indoor EEPROM
Operation Timer Ready  Blinking	H01	Compressor breakdown	Outdoor unit compressor-related troubles
	H02	Compressor lockup	
	H03	Current detection circuit trouble	
	H05	Wiring/installation trouble or detachment of outdoor discharge temperature sensor (TD1)	Protective shutdown of outdoor unit
	H06	Abnormal drop in low-pressure sensor (PS) reading	
	H07	Abnormal drop in oil level	
	H08	Trouble in temperature sensor for oil level detection circuit (TK1, TK2, TK4 or TK5)	
	H15	Wiring/installation trouble or detachment of outdoor discharge temperature sensor (TD2)	
	H16	Oil level detection circuit trouble - Trouble in outdoor unit TK1, TK2, TK4 or TK5 circuit	
Operation Timer Ready  Synchronized blinking	L02	Outdoor unit model unmatched trouble	
	L03	Duplicated indoor group header unit	
	L05	Duplicated priority indoor unit (as displayed on priority indoor unit)	
	L06	Duplicated priority indoor unit (as displayed on indoor unit other than priority indoor unit)	
	L07	Connection of group control cable to stand-alone indoor unit	
	L08	Indoor group address not set	
	L09	Indoor capacity not set	
	L04	Duplicated outdoor refrigerant line address	
	L10	Outdoor capacity not set	
Operation Timer Ready  Synchronized blinking	L12	FS unit(s) system trouble	
	L17	Outdoor model incompatibility trouble	
	L18	Flow selector units trouble	
	L20	Duplicated central control address	
	L23	SW setting mistake	
	L24	FS unit(s) setting trouble	
	L28	Too many outdoor units connected	
	L29	Trouble in number of IPDUs	
	L30	Indoor external interlock trouble	

Light block	Check code	Cause of check code
Operation   Timer   Ready 	J03	Duplicated FS units
	J10	FS unit overflow trouble
	J11	FS unit temperature sensor(TCS) trouble
Operation   Timer   Ready 	F31	Outdoor EEPROM trouble


### Other (indications not involving check code)

Light block	Check code	Cause of check code
Operation   Timer   Ready 	-	Test run in progress
Operation   Timer   Ready 	-	Setting incompatibility (automatic cooling/heating setting for model incapable of it and heating setting for cooling-only model)

## 9-4. Check Codes Displayed on Remote Controller and SHRM-e Outdoor Unit (7-Segment Display on I/F Board) and Locations to Be Checked

For other types of outdoor units, refer to their own service manuals.

Check code		Location of detection	Description	System status	Check code detection condition(s)	Check items (locations)		
Main remote controller	Outdoor 7-segment display							
	Check code	Sub-code						
	E01	-	-	Remote controller	Indoor-remote controller communication trouble (detected at remote controller end)	Stop of corresponding unit	Communication between indoor P.C. board and remote controller is disrupted.	<ul style="list-style-type: none"> <li>• Check remote controller inter-unit tie cable (A/B).</li> <li>• Check for broken wire or connector bad contact.</li> <li>• Check indoor power supply.</li> <li>• Check for defect in indoor P.C. board.</li> <li>• Check remote controller address settings (when two remote controllers are in use).</li> <li>• Check remote controller P.C. board.</li> </ul>
	E02	-	-	Remote controller	Remote controller transmission trouble	Stop of corresponding unit	Signal cannot be transmitted from remote controller to indoor unit.	<ul style="list-style-type: none"> <li>• Check internal transmission circuit of remote controller.</li> <li>--- Replace remote controller as necessary.</li> </ul>
	E03	-	-	Indoor unit	Indoor-remote controller communication trouble (detected at indoor end)	Stop of corresponding unit	There is no communication from remote controller (including wireless) or network adaptor.	<ul style="list-style-type: none"> <li>• Check remote controller and network adaptor wiring.</li> </ul>
	E04	-	-	Indoor unit	Indoor-outdoor communication circuit trouble (detected at indoor end)	Stop of corresponding unit	Indoor unit is not receiving signal from outdoor unit.	<ul style="list-style-type: none"> <li>• Check order in which power was turned on for indoor and outdoor units.</li> <li>• Check indoor address setting.</li> <li>• Check indoor-outdoor tie cable.</li> <li>• Check outdoor terminator resistor setting (SW30, Bit 2).</li> </ul>
E04	E06	No. of indoor units from which signal is received normally	I/F	Dropping out of indoor unit	All stop	<p><b>Condition 1</b> All indoor unit initially communicating normally fails to return signal for specified length of time.</p> <p><b>Condition 2</b> Outdoor I / F board SW09, Bit 4: OFF (Factory default)</p>	<ul style="list-style-type: none"> <li>• Check power supply to indoor unit. (Is power turned on?)</li> <li>• Check connection of indoor-outdoor communication cable.</li> <li>• Check connection of communication connectors on indoor P.C. board.</li> <li>• Check connection of communication connectors on outdoor P.C. board.</li> <li>• Check for defect in indoor P.C. board.</li> <li>• Check for defect in outdoor P.C. board (I/F).</li> </ul>	
		-	Indoor unit	Indoor-outdoor communication circuit trouble	Only specified indoor units stop	<p><b>Condition 1</b> Indoor unit initially communicating normally fails to return signal for specified length of time.</p>	<ul style="list-style-type: none"> <li>• Check power supply to indoor unit. (Is power turned on?)</li> <li>• Check indoor-outdoor power-on sequence.</li> <li>• Check indoor address setting</li> <li>• Check wiring of Indoor-outdoor communication wires</li> <li>• Check outdoor terminator resistor setting (SW30, Bit 2).</li> </ul>	

Check code			Location of detection	Description	System status	Check code detection condition(s)	Check items (locations)
Main remote controller	Outdoor 7-segment display						
	Check code	Sub-code					
E04/E06	E06	No. of indoor units from which signal is received normally	Indoor unit	Indoor-outdoor communication circuit trouble (E04)	All stop	<b>Condition 1</b> One indoor unit or more initially communicating normally fails to return signal for specified length of time.  <b>Condition 2</b> Outdoor I / F board SW09, Bit 4: ON (To switch the check code detection condition.)  	<ul style="list-style-type: none"> <li>• Check power supply to indoor unit. (Is power turned on?)</li> <li>• Check indoor-outdoor power-on sequence.</li> <li>• Check indoor address setting</li> <li>• Check wiring of Indoor-outdoor communication wires</li> <li>• Check outdoor terminator resistor setting (SW30, Bit 2).</li> </ul>
			I/F	Dropping out of indoor unit (E06)			
-	E07	-	I/F	Indoor-outdoor communication circuit trouble (detected at outdoor end)	All stop	Signal cannot be transmitted from outdoor to indoor units for 30 seconds continuously.	<ul style="list-style-type: none"> <li>• Check outdoor terminator resistor setting (SW30, Bit 2).</li> <li>• Check connection of indoor-outdoor communication circuit.</li> </ul>
E08	E08	Duplicated indoor address	Indoor unit I/F	Duplicated indoor address	All stop	More than one indoor unit are assigned same address.	<ul style="list-style-type: none"> <li>• Check indoor addresses.</li> <li>• Check for any change made to remote controller connection (group/ individual) since indoor address setting.</li> </ul>
E09	-	-	Remote controller	Duplicated master remote controller	Stop of corresponding unit	In two remote controller configuration (including wireless), both controllers are set up as master. (Header indoor unit is shut down with alarm, while follower indoor units continue operating.)	<ul style="list-style-type: none"> <li>• Check remote controller settings.</li> <li>• Check remote controller P.C. boards.</li> </ul>
E10	-	-	Indoor unit	Indoor inter-MCU communication trouble	Stop of corresponding unit	Communication cannot be established/maintained upon turning on of power or during communication.	<ul style="list-style-type: none"> <li>• Check for trouble in indoor P.C. board.</li> </ul>
E12	E12	01: Indoor-outdoor communication 02: Outdoor-outdoor communication	I/F	Automatic address starting trouble	All stop	<ul style="list-style-type: none"> <li>• Indoor automatic address setting is started while automatic address setting for equipment in other refrigerant line is in progress.</li> <li>• Outdoor automatic address setting is started while automatic address setting for indoor units is in progress.</li> </ul>	<ul style="list-style-type: none"> <li>• Perform automatic address setting again after disconnecting communication cable to that refrigerant line.</li> </ul>

Check code			Location of detection	Description	System status	Check code detection condition(s)	Check items (locations)
Main remote controller	Outdoor 7-segment display						
	Check code	Sub-code					
E15	E15	-	I/F	Indoor unit not found during automatic address setting	All stop	Indoor unit cannot be detected after indoor automatic address setting is started.	<ul style="list-style-type: none"> <li>• Check connection of indoor-outdoor communication line.</li> <li>• Check for trouble in indoor power supply system.</li> <li>• Check for noise from other devices.</li> <li>• Check for power failure.</li> <li>• Check for trouble in indoor P.C. board.</li> </ul>
E16	E16	00: Overloading 01-: No. of units connected	I/F	Too many indoor units connected	All stop	<ul style="list-style-type: none"> <li>• Combined capacity of indoor units exceeds 135% of combined capacity of outdoor units.</li> </ul> <p><b>Note:</b> If this code comes up after backup setting for outdoor unit failure is performed, perform "No overloading detected" setting.</p> <p>&lt;"No overloading detected" setting method&gt; Turn on SW09/Bit 2 on I/F P.C. board of outdoor header unit.</p> <ul style="list-style-type: none"> <li>• More than 64 indoor units are connected.</li> </ul>	<ul style="list-style-type: none"> <li>• Check capacities of indoor units connected.</li> <li>• Check combined capacities of indoor units.</li> <li>• Check capacity settings of outdoor units.</li> <li>• Check No. of indoor units connected.</li> <li>• Check for trouble in outdoor P.C. board (I/F).</li> </ul>
E17	-	-	Indoor unit	Indoor unit(s) -FS unit(s) communication trouble	Stop of corresponding unit(s)	There is no communication from FS unit(s)	<ul style="list-style-type: none"> <li>• Check order in which power was turned on.</li> <li>• Check indoor unit(s)-FS unit(s) cable</li> </ul>



Check code			Location of detection	Description	System status	Check code detection condition(s)	Check items (locations)
Main remote controller	Outdoor 7-segment display						
	Check code	Sub-code					
E18	-	-	Indoor unit	Trouble in communication between indoor header and follower units	Stop of corresponding unit	Periodic communication between indoor header and follower units cannot be maintained.	<ul style="list-style-type: none"> <li>• Check remote controller wiring.</li> <li>• Check indoor power supply wiring.</li> <li>• Check P.C. boards of indoor units.</li> </ul>
E19	E19	00: No header unit 02: Two or more header units	I/F	Trouble in number of outdoor header units	All stop	<ul style="list-style-type: none"> <li>• There are more than one outdoor header units in one line.</li> <li>• There is no outdoor header unit in one line.</li> </ul>	<ul style="list-style-type: none"> <li>• Outdoor header unit is outdoor unit to which indoor-outdoor tie cable (U1,U2) is connected.</li> <li>• Check connection of indoor-outdoor communication line.</li> <li>• Check for defect in outdoor P.C. board (I/F).</li> </ul>
E20	E20	01: Connection of outdoor unit from other line 02: Connection of indoor unit from other line	I/F	Connection to other line found during automatic address setting	All stop	Equipment from other line is found to have been connected when indoor automatic address setting is in progress.	Disconnect inter-line tie cable in accordance with automatic address setting method explained in "Address setting" section.
E23	E23	-	I/F	Outdoor-outdoor communication transmission trouble	All stop	Signal cannot be transmitted to other outdoor units for at least 30 seconds continuously.	<ul style="list-style-type: none"> <li>• Check power supply to outdoor units. (Is power turned on?)</li> <li>• Check connection of tie cables between outdoor units for bad contact or broken wire.</li> <li>• Check communication connectors on outdoor P.C. boards.</li> <li>• Check for defect in outdoor P.C. board (I/F).</li> <li>• Check termination resistance setting for communication between outdoor units.</li> </ul>
E25	E25	-	I/F	Duplicated follower outdoor address	All stop	There is duplication in outdoor addresses set manually.	<b>Note: Do not set outdoor addresses manually.</b>
E26	E26	Address of outdoor unit from which signal is not received normally	I/F	Signal lack of outdoor unit	All stop	Outdoor unit initially communicating normally fails to return signal for specified length of time.	<ul style="list-style-type: none"> <li>• Backup setting is being used for outdoor units.</li> <li>• Check power supply to outdoor unit. (Is power turned on?)</li> <li>• Check connection of tie cables between outdoor units for bad contact or broken wire.</li> <li>• Check communication connectors on outdoor P.C. boards.</li> <li>• Check for trouble in outdoor P.C. board (I/F).</li> </ul>
E28	E28	Detected outdoor unit No.	I/F	Outdoor follower unit trouble	All stop	Outdoor header unit receives check code from outdoor follower unit.	<ul style="list-style-type: none"> <li>• Check check code displayed on outdoor follower unit.</li> </ul> <p>&lt;Convenient functions&gt; If SW04 is pressed and held for at least 1 second while [E28] is displayed on the 7-segment display of outdoor header unit, the fan of the outdoor unit that has been shut down due to a trouble comes on. If SW04 and SW05 are pressed simultaneously, the fans of normal outdoor units come on. To stop the fan or fans, press SW05 on its own.</p>

Check code			Location of detection	Description	System status	Check code detection condition(s)	Check items (locations)																																																																																																		
Main remote controller	Outdoor 7-segment display																																																																																																								
	Check code	Sub-code																																																																																																							
E31	E31	<table border="1"> <thead> <tr> <th rowspan="2"></th> <th colspan="2">A3-IPDU</th> <th colspan="2">Fan-IPDU</th> <th rowspan="2"></th> <th colspan="2">A3-IPDU</th> <th colspan="2">Fan-IPDU</th> </tr> <tr> <th>1</th> <th>2</th> <th>1</th> <th>2</th> <th>1</th> <th>2</th> <th>1</th> <th>2</th> </tr> </thead> <tbody> <tr> <td>01</td> <td>○</td> <td></td> <td></td> <td></td> <td>10</td> <td></td> <td></td> <td></td> <td>○</td> </tr> <tr> <td>02</td> <td></td> <td>○</td> <td></td> <td></td> <td>11</td> <td>○</td> <td></td> <td></td> <td>○</td> </tr> <tr> <td>03</td> <td>○</td> <td>○</td> <td></td> <td></td> <td>12</td> <td></td> <td>○</td> <td></td> <td>○</td> </tr> <tr> <td>08</td> <td></td> <td></td> <td>○</td> <td></td> <td>13</td> <td>○</td> <td></td> <td></td> <td>○</td> </tr> <tr> <td>09</td> <td>○</td> <td></td> <td>○</td> <td></td> <td>18</td> <td></td> <td></td> <td></td> <td>○</td> </tr> <tr> <td>0A</td> <td></td> <td>○</td> <td>○</td> <td></td> <td>19</td> <td>○</td> <td></td> <td></td> <td>○</td> </tr> <tr> <td>0B</td> <td>○</td> <td>○</td> <td>○</td> <td></td> <td>1A</td> <td></td> <td>○</td> <td></td> <td>○</td> </tr> <tr> <td></td> <td></td> <td></td> <td></td> <td></td> <td>1B</td> <td>○</td> <td>○</td> <td>○</td> <td>○</td> </tr> </tbody> </table> <p>Circle (O): troubled IPDU</p>		A3-IPDU		Fan-IPDU			A3-IPDU		Fan-IPDU		1	2	1	2	1	2	1	2	01	○				10				○	02		○			11	○			○	03	○	○			12		○		○	08			○		13	○			○	09	○		○		18				○	0A		○	○		19	○			○	0B	○	○	○		1A		○		○						1B	○	○	○	○	I/F	IPDU communication trouble	All stop	Communication is disrupted between IPDUs (P.C. boards) in inverter box.	<ul style="list-style-type: none"> <li>Check wiring and connectors involved in communication between IPDU-I/F P.C. board for bad contact or broken wire.</li> <li>Check for trouble in outdoor P.C. board (I/F, A3-IPDU or Fan IPDU).</li> <li>Check for external noise.</li> </ul>
				A3-IPDU		Fan-IPDU				A3-IPDU		Fan-IPDU																																																																																													
1	2		1	2	1	2	1	2																																																																																																	
01	○				10				○																																																																																																
02		○			11	○			○																																																																																																
03	○	○			12		○		○																																																																																																
08			○		13	○			○																																																																																																
09	○		○		18				○																																																																																																
0A		○	○		19	○			○																																																																																																
0B	○	○	○		1A		○		○																																																																																																
					1B	○	○	○	○																																																																																																
		80		Communication trouble between MCU and Sub MCU	All stop	Communication between MCU and Sub MCU stopped.	<ul style="list-style-type: none"> <li>Operation of power supply reset (OFF for 60 seconds or more)</li> <li>Outdoor I/F PC board trouble check</li> </ul>																																																																																																		
F01	-	-	Indoor unit	Indoor TCJ sensor trouble	Stop of corresponding unit	Sensor resistance is infinity or zero (open/short circuit).	<ul style="list-style-type: none"> <li>Check connection of TCJ sensor connector and wiring.</li> <li>Check resistance characteristics of TCJ sensor.</li> <li>Check for trouble in indoor P.C. board.</li> </ul>																																																																																																		
F02	-	-	Indoor unit	Indoor TC2 sensor trouble	Stop of corresponding unit	Sensor resistance is infinity or zero (open/short circuit).	<ul style="list-style-type: none"> <li>Check connection of TC2 sensor connector and wiring.</li> <li>Check resistance characteristics of TC2 sensor.</li> <li>Check for trouble in indoor P.C. board.</li> </ul>																																																																																																		
F03	-	-	Indoor unit	Indoor TC1 sensor trouble	Stop of corresponding unit	Sensor resistance is infinity or zero (open/short circuit).	<ul style="list-style-type: none"> <li>Check connection of TC1 sensor connector and wiring.</li> <li>Check resistance characteristics of TC1 sensor.</li> <li>Check for trouble in indoor P.C. board.</li> </ul>																																																																																																		
F04	F04	-	I/F	TD1 sensor trouble	All stop	Sensor resistance is infinity or zero (open/short circuit).	<ul style="list-style-type: none"> <li>Check connection of TD1 sensor connector.</li> <li>Check resistance characteristics of TD1 sensor.</li> <li>Check for trouble in outdoor P.C. board (I/F).</li> </ul>																																																																																																		
F05	F05	-	I/F	TD2 sensor trouble	All stop	Sensor resistance is infinity or zero (open/short circuit).	<ul style="list-style-type: none"> <li>Check connection of TD2 sensor connector.</li> <li>Check resistance characteristics of TD2 sensor.</li> <li>Check for trouble in outdoor P.C. board (I/F).</li> </ul>																																																																																																		
F06	F06	01: TE1 sensor trouble 02: TE2 sensor trouble	I/F	TE1/TE2 sensor trouble	All stop	Sensor resistance is infinity or zero (open/short circuit).	<ul style="list-style-type: none"> <li>Check connection of TE1/TE2 sensor connectors.</li> <li>Check resistance characteristics of TE1/TE2 sensors.</li> <li>Check for trouble in outdoor P.C. board (I/F).</li> </ul>																																																																																																		
F07	F07	01: TL1 sensor trouble	I/F	TL1 sensor trouble	All stop	Sensor resistance is infinity or zero (open/short circuit).	<ul style="list-style-type: none"> <li>Check connection of TL1 sensor connector.</li> <li>Check resistance characteristics of TL1 sensor.</li> <li>Check for trouble in outdoor P.C. board (I/F).</li> </ul>																																																																																																		

Check code			Location of detection	Description	System status	Check code detection condition(s)	Check items (locations)
Main remote controller	Outdoor 7-segment display						
	Check code	Sub-code					
F08	F08	-	I/F	TO sensor trouble	All stop	Sensor resistance is infinity or zero (open/short circuit).	<ul style="list-style-type: none"> <li>• Check connection of TO sensor connector.</li> <li>• Check resistance characteristics of TO sensor.</li> <li>• Check for trouble in outdoor P.C. board (I/F).</li> </ul>
F10	-	-	Indoor unit	Indoor TA sensor trouble	Stop of corresponding unit	Sensor resistance is infinity or zero (open/short circuit).	<ul style="list-style-type: none"> <li>• Check connection of TA sensor connector and wiring.</li> <li>• Check resistance characteristics of TA sensor.</li> <li>• Check for trouble in indoor P.C. board.</li> </ul>
F11	-	-	Indoor unit	Indoor TF sensor trouble	Stop of corresponding unit	Sensor resistance is infinity or zero (open/short circuit).	<ul style="list-style-type: none"> <li>• Check connection of TF sensor connector and wiring.</li> <li>• Check resistance characteristics of TF sensor.</li> <li>• Check for trouble in indoor P.C. board.</li> </ul>
F12	F12	01: TS1 sensor trouble 02: TS2 sensor trouble	I/F	TS1/TS2 sensor trouble	All stop	Sensor resistance is infinity or zero (open/short circuit).	<ul style="list-style-type: none"> <li>• Check connection of TS1/TS2 sensor connector</li> <li>• Check resistance characteristics of TS1/TS2 sensor.</li> <li>• Check for trouble</li> </ul>
F13	F13	01: Compressor 1 side 02: Compressor 2 side	IPDU	TH sensor trouble	All stop	Sensor resistance is infinity or zero (open/short circuit).	<ul style="list-style-type: none"> <li>• Trouble in IPM built-in temperature sensor → Replace A3-IPDU P.C. board.</li> </ul>
F15	F15	-	I/F	Outdoor temperature sensor wiring trouble (TE1, TL1)	All stop	During compressor operation in HEAT mode, TL1 continuously provides temperature reading higher than indicated by TL1 by at least specified margin for 3 minutes or more.	<ul style="list-style-type: none"> <li>• Check installation of TE1 and TL1 sensors.</li> <li>• Check resistance characteristics of TE1 and TL1 sensors.</li> <li>• Check for outdoor P.C. board (I/F) trouble.</li> </ul>
F16	F16	-	I/F	Outdoor pressure sensor wiring trouble (PD, PS)	All stop	Readings of high-pressure PD sensor and low-pressure PS sensor are switched. Output voltages of both sensors are zero.	<ul style="list-style-type: none"> <li>• Check connection of high-pressure PD sensor connector.</li> <li>• Check connection of low-pressure PS sensor connector.</li> <li>• Check for defect in pressure sensors PD and PS.</li> <li>• Check for trouble in outdoor P.C. board (I/F).</li> <li>• Check for deficiency in compressive output of compressor.</li> </ul>
F17	-	-	Indoor unit	TOA sensor trouble	Stop of corresponding unit	Sensor resistance is infinity or zero (open/short circuit).	<ul style="list-style-type: none"> <li>• Check connection of TOA sensor connector.</li> <li>• Check resistance characteristics of TOA sensor.</li> <li>• Check for trouble in outdoor I/F P.C. board.</li> </ul>
F18	-	-	Indoor unit	TRA sensor trouble	Stop of corresponding unit	Sensor resistance is infinity or zero (open/short circuit).	<ul style="list-style-type: none"> <li>• Check connection of TRA sensor connector.</li> <li>• Check resistance characteristics of TRA sensor.</li> <li>• Check for trouble in outdoor I/F P.C. board.</li> </ul>
F23	F23	-	I/F	PS sensor trouble	All stop	Output voltage of PS sensor is zero.	<ul style="list-style-type: none"> <li>• Check for connection trouble involving PS sensor and PD sensor connectors.</li> <li>• Check connection of PS sensor connector.</li> <li>• Check for defect in PS sensor.</li> <li>• Check for deficiency in compressive output of compressor.</li> <li>• Check for trouble in 4-way valve.</li> <li>• Check for trouble in outdoor P.C. board (I/F).</li> <li>• Check for trouble in SV4 circuit.</li> </ul>
F24	F24	-	I/F	PD sensor trouble	All stop	Output voltage of PD sensor is zero (sensor open-circuited). Pd > 4.15MPa despite compressor having been turned off.	<ul style="list-style-type: none"> <li>• Check connection of PD sensor connector.</li> <li>• Check for trouble in PD sensor.</li> <li>• Check for trouble in outdoor P.C. board (I/F).</li> </ul>

Check code		Location of detection	Description	System status	Check code detection condition(s)	Check items (locations)	
Main remote controller	Outdoor 7-segment display						
	Check code						Sub-code
F29	–	–	Indoor unit	Other indoor trouble	Stop of corresponding unit	Indoor P.C. board does not operate normally.	<ul style="list-style-type: none"> <li>• Check for defect in indoor P.C. board (faulty EEPROM)</li> </ul>
F31	F31	–	I/F	Outdoor EEPROM trouble	All stop *1	Outdoor P.C. board (I/F) does not operate normally.	<ul style="list-style-type: none"> <li>• Check power supply voltage.</li> <li>• Check power supply noise.</li> <li>• Check for trouble in outdoor P.C. board (I/F).</li> </ul>
H01	H01	01: Compressor 1 side 02: Compressor 2 side	IPDU	Compressor breakdown	All stop	Inverter current detection circuit detects overcurrent and shuts system down.	<ul style="list-style-type: none"> <li>• Check power supply voltage.(AC208/230V ± 10%).</li> <li>• Check for trouble in compressor.</li> <li>• Check for possible cause of abnormal overloading.</li> <li>• Check for trouble in outdoor P.C. board (A3-IPDU).</li> </ul>
H02	H02	01: Compressor 1 side 02: Compressor 2 side	IPDU	Compressor trouble (lockup) MG-CTT trouble	All stop	Overcurrent is detected several seconds after startup of inverter compressor.	<ul style="list-style-type: none"> <li>• Check for trouble in compressor.</li> <li>• Check power supply voltage. (AC208/230V ± 10%).</li> <li>• Check compressor system wiring, particularly for open phase.</li> <li>• Check connection of connectors/terminals on A3-IPDU P.C. board.</li> <li>• Check conductivity of case heater. (Check for refrigerant problem inside compressor.)</li> <li>• Check for trouble in outdoor P.C. board (A3-IPDU).</li> <li>• Check outdoor MG-CTT.</li> </ul>
H03	H03	01: Compressor 1 side 02: Compressor 2 side	IPDU	Current detection circuit trouble	All stop	Current flow of at least specified magnitude is detected despite inverter compressor having been shut turned off.	<ul style="list-style-type: none"> <li>• Check current detection circuit wiring.</li> <li>• Check trouble in outdoor P.C. board (A3-IPDU).</li> <li>• Check the External / Current sensor</li> </ul>
H05	H05	–	I/F	TD1 sensor miswiring (incomplete insertion)	All stop	Discharge temperature of compressor 1 (TD1) does not increase despite compressor being in operation.	<ul style="list-style-type: none"> <li>• Check installation of TD1 sensor.</li> <li>• Check connection of TD1 sensor connector and wiring.</li> <li>• Check resistance characteristics of TD1 sensor.</li> <li>• Check for trouble in outdoor P.C. board (I/F).</li> </ul>
H06	H06	–	I/F	Activation of low-pressure protection	All stop	Low-pressure Ps sensor detects operating pressure lower than 0.02MPa.	<ul style="list-style-type: none"> <li>• Check service valves to confirm full opening (both gas and liquid sides).</li> <li>• Check outdoor PMVs for clogging (PMV1, PMV3).</li> <li>• Check for trouble in SV2 or SV4 circuits.</li> <li>• Check for trouble in low-pressure PS sensor.</li> <li>• Check indoor filter for clogging.</li> <li>• Check valve opening status of indoor PMV.</li> <li>• Check refrigerant piping for clogging.</li> <li>• Check operation of outdoor fan (during heating).</li> <li>• Check for insufficiency in refrigerant quantity.</li> </ul>

\*1 Total shutdown in case of header unit  
Continued operation in case of follower unit

MG-CTT: Magnet contactor

Check code			Location of detection	Description	System status	Check code detection condition(s)	Check items (locations)
Main remote controller	Outdoor 7-segment display						
	Check code	Sub-code					
H07	H07	–	I/F	Low oil level protection	All stop	Operating compressor detects continuous state of low oil level for about 2 hours.	<p>&lt;All outdoor units in corresponding line to be checked&gt;</p> <ul style="list-style-type: none"> <li>• Check balance pipe service valve to confirm full opening.</li> <li>• Check connection and installation of TK1, TK2, TK4, and TK5 sensors.</li> <li>• Check resistance characteristics of TK1, TK2, TK4, and TK5 sensors.</li> <li>• Check for gas or oil leak in same line.</li> <li>• Check for refrigerant problem inside compressor casing.</li> <li>• Check SV3A, SV3B, SV3C, SV3D valves for trouble.</li> <li>• Check oil return circuit of oil separator for clogging.</li> <li>• Check oil equalizing circuit for clogging.</li> </ul>
H08	H08	01: TK1 sensor trouble 02: TK2 sensor trouble 04: TK4 sensor trouble 05: TK5 sensor trouble	I/F	Trouble in temperature sensor for oil level detection	All stop	Sensor resistance is infinity or zero (open/short circuit).	<ul style="list-style-type: none"> <li>• Check connection of TK1 sensor connector.</li> <li>• Check resistance characteristics of TK1 sensor.</li> <li>• Check for trouble in outdoor P.C. board (I/F).</li> </ul>
					All stop	Sensor resistance is infinity or zero (open/short circuit).	<ul style="list-style-type: none"> <li>• Check connection of TK2 sensor connector.</li> <li>• Check resistance characteristics of TK2 sensor.</li> <li>• Check for trouble in outdoor P.C. board (I/F).</li> </ul>
					All stop	Sensor resistance is infinity or zero (open/short circuit).	<ul style="list-style-type: none"> <li>• Check connection of TK4 sensor connector.</li> <li>• Check resistance characteristics of TK4 sensor.</li> <li>• Check for trouble in outdoor P.C. board (I/F).</li> </ul>
					All stop	Sensor resistance is infinity or zero (open/short circuit).	<ul style="list-style-type: none"> <li>• Check connection of TK5 sensor connector.</li> <li>• Check resistance characteristics of TK5 sensor.</li> <li>• Check for trouble in outdoor P.C. board (I/F).</li> </ul>
H15	H15	–	I/F	TD2 sensor miswiring (incomplete insertion)	All stop	Discharge temperature of (TD2) does not increase despite compressor 2 being in operation.	<ul style="list-style-type: none"> <li>• Check installation of TD2 sensor.</li> <li>• Check connection of TD2 sensor connector and wiring.</li> <li>• Check resistance characteristics of TD2 sensor.</li> <li>• Check for trouble in outdoor P.C. board (I/F).</li> </ul>

Main remote controller	Check code		Location of detection	Description	System status	Check code detection condition(s)	Check items (locations)
	Outdoor 7-segment display						
	Check code	Sub-code					
H16	H16	01: TK1 oil circuit trouble 02: TK2 oil circuit trouble 04: TK4 oil circuit trouble 05: TK5 oil circuit trouble	I/F	Oil level detection circuit trouble	All stop	No temperature change is detected by TK1 despite compressor 1 having been started.	<ul style="list-style-type: none"> <li>• Check for disconnection of TK1 sensor.</li> <li>• Check resistance characteristics of TK1 sensor.</li> <li>• Check for connection trouble involving TK1, TK2, TK4, and TK5 sensors</li> <li>• Check for clogging in oil equalizing circuit capillary and faulty operation in check valve.</li> <li>• Check for refrigerant entrapment inside compressor.</li> </ul>
						No temperature change is detected by TK2 despite compressor 2 having been started.	<ul style="list-style-type: none"> <li>• Check for disconnection of TK2 sensor.</li> <li>• Check resistance characteristics of TK2 sensor.</li> <li>• Check for connection trouble involving TK1, TK2, TK4, and TK5 sensors</li> <li>• Check for clogging in oil equalizing circuit capillary and faulty operation in check valve.</li> <li>• Check for refrigerant entrapment inside compressor.</li> </ul>
						No temperature change is detected by TK4 despite compressor having been started.	<ul style="list-style-type: none"> <li>• Check for disconnection of TK4 sensor.</li> <li>• Check resistance characteristics of TK4 sensor.</li> <li>• Check for connection trouble involving TK1, TK2, TK4, and TK5 sensors</li> <li>• Check for clogging in oil equalizing circuit capillary and faulty operation in check valve.</li> <li>• Check for refrigerant entrapment inside compressor.</li> </ul>
						No temperature change is detected by TK5 despite compressor having been started.	<ul style="list-style-type: none"> <li>• Check for disconnection of TK5 sensor.</li> <li>• Check resistance characteristics of TK5 sensor.</li> <li>• Check for connection trouble involving TK1, TK2, TK4, and TK5 sensors</li> <li>• Check for clogging in oil equalizing circuit capillary and faulty operation in check valve.</li> <li>• Check for refrigerant entrapment inside compressor.</li> </ul>
J03	-	-	Indoor unit	Duplication of FS units	Stop of corresponding unit(s)	More than one FS units have been set up in one refrigerant line.	<ul style="list-style-type: none"> <li>• Check indoor unit(s)-FS unit(s) cable</li> </ul>
J10	J10	Detected indoor address	Indoor unit	FS unit overflow trouble	All stop	<ul style="list-style-type: none"> <li>• Float switch operates</li> <li>• Float switch circuit is open-circuited or disconnected at connector.</li> </ul>	<ul style="list-style-type: none"> <li>• Check float switch connector</li> <li>• Check operation of drain pump.</li> <li>• Check drain pump circuit</li> <li>• Check drain pipe for clogging</li> <li>• Check for defect indoor PC board.</li> </ul>
J11	-	-	Indoor unit	FS unit Temperature sensor(TCS) trouble	Stop of corresponding unit(s)	Sensor resistance is infinity or zero(open/short circuit)	<ul style="list-style-type: none"> <li>• Check connection of TCS sensor connector</li> <li>• Check resistance characteristics of TCS sensor.</li> <li>• Check for defect FS unit PC board.</li> </ul>
L02	L02	-	Indoor unit	Outdoor units model disagreement trouble	All stop	In case of different outdoor unit	<ul style="list-style-type: none"> <li>• Check outdoor unit model.</li> </ul>
L03	-	-	Indoor unit	Duplicated indoor header unit	Stop of corresponding unit	There are more than one header units in group.	<ul style="list-style-type: none"> <li>• Check indoor addresses.</li> <li>• Check for any change made to remote controller connection (group/individual) since indoor address setting.</li> </ul>
L04	L04	-	I/F	Duplicated outdoor line address	All stop	There is duplication in line address setting for outdoor units belonging to different refrigerant piping systems.	<ul style="list-style-type: none"> <li>• Check line addresses.</li> </ul>

Check code		Location of detection	Description	System status	Check code detection condition(s)	Check items (locations)	
Main remote controller	Outdoor 7-segment display						
	Check code						Sub-code
L05	-	-	I/F	Duplicated priority indoor unit (as displayed on priority indoor unit)	All stop	More than one indoor units have been set up as priority indoor unit.	• Check display on priority indoor unit.
L06	L06	No. of priority indoor units	I/F	Duplicated priority indoor unit (as displayed on indoor unit other than priority indoor unit)	All stop	More than one indoor units have been set up as priority indoor unit.	• Check displays on priority indoor unit and outdoor unit.
L07	-	-	Indoor unit	Connection of group control cable to stand-alone indoor unit	Stop of corresponding unit	There is at least one stand-alone indoor unit to which group control cable is connected.	• Check indoor addresses.
L08	L08	-	Indoor unit	Indoor group / addresses not set	Stop of corresponding unit	Address setting has not been performed for indoor units.	• Check indoor addresses. <b>Note:</b> <b>This code is displayed when power is turned on for the first time after installation.</b>
L09	-	-	Indoor unit	Indoor capacity not set	Stop of corresponding unit	Capacity setting has not been performed for indoor unit.	Set indoor capacity. (DN = 11)
L10	L10	-	I/F	Outdoor capacity not set	All stop	Jumper wire provided on P.C. board for servicing I/F P.C. board has not been removed as required for given model.	Check model setting of P.C. board for servicing outdoor I/F P.C. board.
L12	L12	01:FS unit(s) installation trouble	I/F	FS unit(s) outside the application setting	All stop	Set up other than multi port type and single port type (Long piping model) FS unit(s) to 36 ton or more system	•Check outdoor unit model name •Check FS unit model name •Check restricted installation of FS unit
L17	L17	-	I/F	Incompatible combination of outdoor units	All stop	Old model outdoor unit (prior to 6 series) has been connected	• Check outdoor unit model
L18	L18	Detected indoor address	FS unit	Cooling/heating selection unit trouble	Stop of corresponding unit	Cooling/heating cycle trouble resulting from piping trouble is detected	• Check Cooling/Heating FS unit • Check set Cooling-only setting.
L20	-	-	Network adaptor Indoor unit	Duplicated central control address	All stop	There is duplication in central control address setting.	• Check central control addresses. • Check network adaptor P.C. board .
L23	L23	Clean converter setting	I/F	SW setting mistake	All stop	Outdoor P.C. board (I/F) does not operate normally.	• Check switch setting of Bit 3 and 4 of SW17 in outdoor P.C. board (I/F).
L24	L24	01:Duplication of FS units address 02:Indoor units operation mode priority setting	I/F	FS unit(s) setting trouble	All stop	•Address setting has not been performed for FS units •Priority setting has not been performed for indoor units	•Check FS units address •Check indoor units operation mode priority setting •Check outdoor unit 7 segment monitor
L28	L28	-	I/F	Too many outdoor units connected	All stop	There are more than three outdoor units.	• Check No. of outdoor units connected (Only up to 3 units per system allowed). • Check communication lines between outdoor units. • Check for defect in outdoor P.C. board (I/F).

Check code		Location of detection	Description	System status	Check code detection condition(s)	Check items (locations)																																																																																																			
Main remote controller	Outdoor 7-segment display																																																																																																								
	Check code																																																																																																								
L29	L29	<table border="1"> <thead> <tr> <th rowspan="2"></th> <th colspan="2">A3-IPDU</th> <th colspan="2">Fan-IPDU</th> <th rowspan="2"></th> <th colspan="2">A3-IPDU</th> <th colspan="2">Fan-IPDU</th> </tr> <tr> <th>1</th> <th>2</th> <th>1</th> <th>2</th> <th>1</th> <th>2</th> <th>1</th> <th>2</th> </tr> </thead> <tbody> <tr> <td>01</td> <td>○</td> <td></td> <td></td> <td></td> <td>10</td> <td></td> <td></td> <td></td> <td>○</td> </tr> <tr> <td>02</td> <td></td> <td>○</td> <td></td> <td></td> <td>11</td> <td>○</td> <td></td> <td></td> <td>○</td> </tr> <tr> <td>03</td> <td>○</td> <td>○</td> <td></td> <td></td> <td>12</td> <td></td> <td>○</td> <td></td> <td>○</td> </tr> <tr> <td>08</td> <td></td> <td></td> <td>○</td> <td></td> <td>13</td> <td>○</td> <td>○</td> <td></td> <td>○</td> </tr> <tr> <td>09</td> <td>○</td> <td></td> <td>○</td> <td></td> <td>18</td> <td></td> <td></td> <td>○</td> <td>○</td> </tr> <tr> <td>0A</td> <td></td> <td>○</td> <td>○</td> <td></td> <td>19</td> <td>○</td> <td></td> <td>○</td> <td>○</td> </tr> <tr> <td>0E</td> <td>○</td> <td>○</td> <td>○</td> <td></td> <td>1A</td> <td></td> <td>○</td> <td>○</td> <td>○</td> </tr> <tr> <td></td> <td></td> <td></td> <td></td> <td></td> <td>1B</td> <td>○</td> <td>○</td> <td>○</td> <td>○</td> </tr> </tbody> </table> <p>Circle (O): Troubled IPDU</p>		A3-IPDU		Fan-IPDU			A3-IPDU		Fan-IPDU		1	2	1	2	1	2	1	2	01	○				10				○	02		○			11	○			○	03	○	○			12		○		○	08			○		13	○	○		○	09	○		○		18			○	○	0A		○	○		19	○		○	○	0E	○	○	○		1A		○	○	○						1B	○	○	○	○	I/F	Trouble in No. of IPDUs	All stop	Insufficient number of IPDUs are detected when power is turned on.	<ul style="list-style-type: none"> <li>Check model setting of P.C. board for servicing outdoor I/F P.C. board.</li> <li>Check connection of UART communication connector.</li> <li>Check A3-IPDU, fan IPDU, and I/F P.C. board for trouble.</li> </ul>
	A3-IPDU			Fan-IPDU			A3-IPDU		Fan-IPDU																																																																																																
	1	2	1	2	1		2	1	2																																																																																																
01	○				10				○																																																																																																
02		○			11	○			○																																																																																																
03	○	○			12		○		○																																																																																																
08			○		13	○	○		○																																																																																																
09	○		○		18			○	○																																																																																																
0A		○	○		19	○		○	○																																																																																																
0E	○	○	○		1A		○	○	○																																																																																																
					1B	○	○	○	○																																																																																																
L30	L30	Detected indoor address	Indoor unit	External interlock of indoor unit	Stop of corresponding unit	<ul style="list-style-type: none"> <li>Signal is present at external trouble input terminal (CN80) for 1 minute.</li> </ul>	<p><b>When external device is connected to CN80 connector:</b></p> <ol style="list-style-type: none"> <li>Check for trouble in external device.</li> <li>Check for trouble in indoor P.C. board.</li> </ol> <p><b>When external device is not connected to CN80 connector:</b></p> <ol style="list-style-type: none"> <li>Check for trouble in indoor P.C. board.</li> </ol>																																																																																																		
-	L31	-	I/F	Extended IC trouble	Continued operation	There is part failure in P.C. board (I/F).	Check outdoor P.C. board (I/F).																																																																																																		
P01	-	-	Indoor unit	Indoor fan motor trouble	Stop of corresponding unit		<ul style="list-style-type: none"> <li>Check the lock of fan motor (AC fan).</li> <li>Check wiring.</li> </ul>																																																																																																		
P02	P02	01: Compressor 1 side 02: Compressor 2 side	I/F	Boost converter circuit trouble	All stop	Circuit protection for boost circuit	<ul style="list-style-type: none"> <li>Check power supply voltage. (AC 208/230V ± 10%)</li> <li>Check connection of connectors/terminals on A3-IPDU P.C. board.</li> <li>Check wiring for CH-95 reactor.</li> </ul>																																																																																																		
P03	P03	-	I/F	Discharge temperature TD1 trouble	All stop	Discharge temperature (TD1) exceeds 239°F (115°C).	<ul style="list-style-type: none"> <li>Check outdoor service valves (gas side, liquid side) to confirm full opening.</li> <li>Check outdoor PMVs (PMV1, 3, 4) for clogging.</li> <li>Check resistance characteristics of TD1 sensor.</li> <li>Check for insufficiency in refrigerant quantity.</li> <li>Check for defect in 4-way valve.</li> <li>Check for leakage of SV4 circuit.</li> <li>Check SV4 circuit (wiring or installation trouble in SV41 or SV42).</li> <li>Check for SV15 for clogging.</li> <li>Check stuck in the check valve of the circuit which passes the main heat exchanger and sub heat exchanger.</li> </ul>																																																																																																		



		Check code		Location of detection	Description	System status	Check code detection condition(s)	Check items (locations)
Main remote controller	Outdoor 7-segment display							
	Check code	Sub-code						
P04	P04	01: Compressor 1 side 02: Compressor 2 side	IPDU	Activation of high-pressure SW	All stop	High-pressure SW is activated.	<ul style="list-style-type: none"> <li>• Check connection of high-pressure SW connector.</li> <li>• Check for trouble in PD pressure sensor.</li> <li>• Check outdoor service valves (gas side, liquid side) to confirm full opening.</li> <li>• Check for trouble in outdoor fan.</li> <li>• Check for trouble in outdoor fan motor.</li> <li>• Check outdoor PMVs (PMV1, 3) for clogging.</li> <li>• Check indoor/outdoor heat exchangers for clogging.</li> <li>• Check for short-circuiting of outdoor suction/discharge air flows.</li> <li>• Check SV2 circuit for clogging.</li> <li>• Check for trouble in outdoor P.C. board (I/F).</li> <li>• Check for trouble in indoor fan system (possible cause of air flow reduction).</li> <li>• Check opening status of indoor PMV.</li> <li>• Check indoor-outdoor communication line for wiring trouble.</li> <li>• Check for faulty operation of check valve in discharge pipe convergent section.</li> <li>• Check gas balancing SV4 valve circuit.</li> <li>• Check SV5 valve circuit.</li> <li>• Check for refrigerant overcharging.</li> </ul>	
P05	P05	00: 01: Compressor 1 side 02: Compressor 2 side	I/F	Detection of open phase/phase sequence  Inverter DC voltage (Vdc) trouble (compressor) MG-CTT trouble	All stop	<ul style="list-style-type: none"> <li>• Open phase is detected when power is turned on.</li> <li>• Inverter DC voltage is too high (overvoltage) or too low (undervoltage).</li> </ul>	<ul style="list-style-type: none"> <li>• Check for trouble in outdoor P.C. board (I/F).</li> <li>• Check wiring of outdoor power supply.</li> </ul>	
P07	P07	01: Compressor 1 side 02: Compressor 2 side	IPDU I/F	Heat sink overheating trouble	All stop	Temperature sensor built into IPM (TH) is overheated.	<ul style="list-style-type: none"> <li>• Check power supply voltage.</li> <li>• Check outdoor fan system trouble.</li> <li>• Check heat sink cooling duct for clogging.</li> <li>• Check IPM and heat sink for thermal performance for faulty installation. (e.g. mounting screws and thermal conductivity)</li> <li>• Check for trouble in A3-IPDU. (faulty IPM built-in temperature sensor (TH))</li> </ul>	
P10	P10	Detected indoor address	Indoor unit	Indoor overflow trouble	All stop	<ul style="list-style-type: none"> <li>• Float switch operates.</li> <li>• Float switch circuit is open-circuited or disconnected at connector.</li> </ul>	<ul style="list-style-type: none"> <li>• Check float switch connector.</li> <li>• Check operation of drain pump.</li> <li>• Check drain pump circuit.</li> <li>• Check drain pipe for clogging.</li> <li>• Check for trouble in indoor P.C. board.</li> </ul>	
P12	-	-	Indoor unit	Indoor fan motor trouble	Stop of corresponding unit	<ul style="list-style-type: none"> <li>• Motor speed measurements continuously deviate from target value.</li> <li>• Overcurrent protection is activated.</li> </ul>	<ul style="list-style-type: none"> <li>• Check connection of fan connector and wiring.</li> <li>• Check for trouble in fan motor.</li> <li>• Check for trouble in indoor P.C. board.</li> <li>• Check impact of outside air treatment (OA).</li> </ul>	

MG-CTT: Magnet contactor

Check code			Location of detection	Description	System status	Check code detection condition(s)	Check items (locations)
Main remote controller	Outdoor 7-segment display						
	Check code	Sub-code					
P13	P13	-	I/F	Outdoor liquid backflow detection trouble	All stop	<p>&lt;During cooling operation&gt; When system is in cooling operation, high pressure is detected in follower unit that has been turned off.</p> <p>&lt;During heating operation&gt; When system is in heating operation, outdoor PMV 1 continuously registers opening of 300p or less while under superheat control.</p>	<ul style="list-style-type: none"> <li>• Check full-close operation of outdoor PMV (1, 4).</li> <li>• Check for trouble in PD or PS sensor.</li> <li>• Check gas balancing circuit (SV2) for clogging.</li> <li>• Check balance pipe.</li> <li>• Check SV3B circuit for clogging.</li> <li>• Check trouble in outdoor P.C. board (I/F).</li> <li>• Check capillary of oil separator oil return circuit for clogging.</li> <li>• Check for leakage of check valve in discharge pipe convergent section.</li> </ul>
P15	P15	01: TS condition	I/F	Gas leakdetection (TS1 condition)	All stop	<p>Protective shutdown due to sustained suction temperature at or above judgment criterion for at least 10 minutes is repeated four times or more.</p> <p>&lt;TS trouble judgment criterion&gt; In cooling operation: 140°F (60°C) In heating operation: 104°F (40°C)</p>	<ul style="list-style-type: none"> <li>• Check for insufficiency in refrigerant quantity.</li> <li>• Check outdoor service valves (gas side, liquid side) to confirm full opening.</li> <li>• Check PMVs (PMV1, 4) for clogging.</li> <li>• Check resistance characteristics of TS1 sensor.</li> <li>• Check for trouble in 4-way valve.</li> <li>• Check SV4 circuit for leakage</li> </ul>
		02: TD condition	I/F	Gas leak detection (TD condition)	All stop	<p>Protective shutdown due to sustained discharge temperature (TD1 or TD2) at or above 226.4°F (108°C) for at least 10 minutes is repeated four times or more.</p>	<ul style="list-style-type: none"> <li>• Check for insufficiency in refrigerant quantity.</li> <li>• Check PMVs (PMV 1, 4) for clogging.</li> <li>• Check resistance characteristics of TD1 and TD2 sensors.</li> <li>• Check indoor filter for clogging.</li> <li>• Check piping for clogging.</li> <li>• Check SV4 circuit (for leakage or coil installation trouble).</li> </ul>
P17	P17	-	I/F	Discharge temperature TD2 trouble	All stop	Discharge temperature (TD2) exceeds 239°F (115°C).	<ul style="list-style-type: none"> <li>• Check outdoor service valves (gas side, liquid side) to confirm full opening.</li> <li>• Check outdoor PMVs (PMV1, 4) for clogging.</li> <li>• Check resistance characteristics of TD2 sensor.</li> <li>• Check for trouble in 4-way valve.</li> <li>• Check SV4 circuit for leakage.</li> <li>• Check SV4 circuit (for wiring or installation trouble involving SV41 and SV42).</li> <li>• Check for SV15 for clogging.</li> <li>• Check stuck in the check valve of the circuit which by passes the main heat exchanger and sub heat exchanger.</li> </ul>

Check code			Location of detection	Description	System status	Check code detection condition(s)	Check items (locations)
Main remote controller	Outdoor 7-segment display						
	Check code	Sub-code					
P19	P19	Detected outdoor unit No.	I/F	4-way valve reversing trouble	All stop	Abnormal refrigerating cycle data is collected during heating operation.	<ul style="list-style-type: none"> <li>• Check for trouble in main body of 4-way valve.</li> <li>• Check for coil trouble in 4-way valve and loose connection of its connector.</li> <li>• Check resistance characteristics of TS1 and TE1, TE2 sensors.</li> <li>• Check output voltage characteristics of P and Ps pressure sensors.</li> <li>• Check for wiring trouble involving TE1 and TL1 sensors.</li> </ul>
P20	P20	-	I/F	Activation of high-pressure protection	All stop	<p>&lt;During cooling operation&gt; PD sensor detects pressure equal to or greater than 558.25psi (3.85 MPa).</p> <p>&lt;During heating operation&gt; PD sensor detects pressure equal to or greater than 552psi (3.6 MPa).</p>	<ul style="list-style-type: none"> <li>• Check for trouble in PD pressure sensor.</li> <li>• Check service valves (gas side, liquid side) to confirm full opening.</li> <li>• Check for trouble in outdoor fan.</li> <li>• Check for trouble in outdoor fan motor.</li> <li>• Check outdoor PMV (PMV1, 4) for clogging.</li> <li>• Check indoor/outdoor heat exchangers for clogging.</li> <li>• Check for short-circuiting of outdoor suction/discharge air flows.</li> <li>• Check SV2 circuit for clogging.</li> <li>• Check for trouble in outdoor P.C. board (I/F).</li> <li>• Check for trouble in indoor fan system (possible cause of air flow reduction).</li> <li>• Check opening status of indoor PMV.</li> <li>• Check indoor-outdoor communication line for wiring trouble.</li> <li>• Check for trouble operation of check valve in discharge pipe convergent section.</li> <li>• Check gas balancing SV4 valve circuit.</li> <li>• Check SV5 valve circuit.</li> <li>• Check for refrigerant overcharging.</li> <li>• Check for SV15 for clogging.</li> <li>• Check stuck in the check valve of the circuit which by passes the main heat exchanger and sub heat exchanger.</li> </ul>

Check code		Location of detection	Description	System status	Check code detection condition(s)	Check items (locations)	
Main remote controller	Outdoor 7-segment display						
	Check code	Sub-code					
P22	P22	#0:Element short circuit	IPDU	Outdoor fan IPDU trouble *Put in Fan IPDU No. in [#] mark	All stop	(Sub code: #0) Fan IPDU over current protection circuit Flow of current equal to or greater than the specified value is detected during startup of the fan.	<ul style="list-style-type: none"> <li>• Check fan motor.</li> <li>• Check for trouble in fan IPDU P.C. board</li> </ul>
		#1:Position detection circuit trouble				(Sub code: #1) Fan IPDU position detection circuit Position detection is not going on normally.	<ul style="list-style-type: none"> <li>• Check fan motor.</li> <li>• Check connection of fan motor connector.</li> <li>• Check for trouble in fan IPDU P.C. board.</li> </ul>
		#3:Motor lock trouble				(Sub code: #3) Gusty wind, an obstruction, or another external factor Speed estimation is not going on normally.	<ul style="list-style-type: none"> <li>• Check fan motor.</li> <li>• Check for trouble in fan IPDU P.C. board</li> </ul>
		#4:Motor current trouble				(Sub code: #4) Fan IPDU over current protection circuit Flow of current equal to or greater than the specified value is detected during operation of the fan.	<ul style="list-style-type: none"> <li>• Check fan motor.</li> <li>• Check connection of fan motor connector.</li> <li>• Check for trouble in fan IPDU P.C. board.</li> </ul>
		#C:TH sensor temperature trouble				(Sub code: #C) Higher temperature than the specified value is detected during operation of the fan.	<ul style="list-style-type: none"> <li>• Check fan motor.</li> <li>• Check for trouble in fan IPDU P.C. board</li> </ul>
		#D:TH sensor short circuit/release trouble				(Sub code: #D) The resistance value of the sensor is infinite or zero (open or short circuit).	<ul style="list-style-type: none"> <li>• Check for trouble in fan IPDU P.C. board.</li> </ul>
		#E:Vdc voltage trouble				(Sub code: #E) Fan IPDU DC voltage protection circuit The DC voltage higher or lower than the specified value is detected.	<ul style="list-style-type: none"> <li>• Check power voltage of the main power supply.</li> <li>• Check for trouble in fan IPDU P.C. board.</li> <li>• Check connection of fan IPDU P.C. board.</li> </ul>
P26	P26	01: Compressor 1 side 02: Compressor 2 side	IPDU	IPM short-circuit protection trouble	All stop	Overcurrent is momentarily detected during startup of compressor.	<ul style="list-style-type: none"> <li>• Check connector connection and wiring on A3-IPDU P.C. board.</li> <li>• Check for trouble in compressor (layer short-circuit).</li> <li>• Check for trouble in outdoor P.C. board (A3-IPDU).</li> </ul>
P29	P29	01: Compressor 1 side 02: Compressor 2 side	IPDU	Compressor position detection circuit trouble	All stop	Position detection is not going on normally.	<ul style="list-style-type: none"> <li>• Check wiring and connector connection.</li> <li>• Check for compressor layer short-circuit.</li> <li>• Check for trouble in A3-IPDU P.C. board.</li> </ul>
P31	-	-	Indoor unit	Other indoor trouble (group follower unit trouble)	Stop of corresponding unit	There is trouble in other indoor unit in group, resulting in detection of E07/L07/L03/L08.	<ul style="list-style-type: none"> <li>• Check indoor P.C. board.</li> </ul>

## Check codes Detected by TCC-LINK Central Control Device

Check code		Location of detection	Description	System status	Check code detection condition(s)	Check items (locations)	
Main remote controller	Outdoor 7-segment display						
Sub-code							
C05	–	TCC-LINK	TCC-LINK central control device transmission trouble	Continued operation	Central control device is unable to transmit signal.	<ul style="list-style-type: none"> <li>• Check for trouble in central control device.</li> <li>• Check for trouble in central control communication line.</li> <li>• Check termination resistance setting.</li> </ul>	
C06	–		TCC-LINK central control device reception trouble	Continued operation	Central control device is unable to receive signal.	<ul style="list-style-type: none"> <li>• Check for trouble in central control device.</li> <li>• Check for trouble in central control communication line.</li> <li>• Check terminator resistor setting.</li> <li>• Check power supply for devices at other end of central control communication line.</li> <li>• Check trouble in P.C. boards of devices at other end of central control communication line.</li> </ul>	
C12	–	General-purpose device I/F	Batch alarm for general-purpose device control interface	Continued operation	Trouble signal is input to control interface for general-purpose devices.	<ul style="list-style-type: none"> <li>• Check trouble input.</li> </ul>	
P30	Differs according to nature of alarm-causing trouble		TCC-LINK	Group control follower unit trouble	Continued operation	Trouble occurs in follower unit under group control. ([P30] is displayed on central control remote controller.)	<ul style="list-style-type: none"> <li>• Check check code of unit that has generated alarm.</li> </ul>
	(L20 displayed.)			Duplicated central control address	Continued operation	There is duplication in central control addresses.	<ul style="list-style-type: none"> <li>• Check address settings.</li> </ul>

### ▼ Points to Note When Servicing Compressor

(1) When checking the outputs of inverters, remove the wiring from all the compressors.

### ▼ How to Check Inverter Output

(1) Turn off the power supply.

(2) Remove compressor leads from the IPDU P.C. board (A3-IPDU). (Be sure to remove all the leads.)

(3) Turn on the power supply and start cooling or heating operation.

Be careful not to make simultaneous contact with two or more faston connectors for compressor leads or a faston connector and some other object (e.g. the unit cabinet).

(4) Check the output voltage across each pair of inverter-side (CN201, 202, 203).

If the result is unsatisfactory according to the judgment criteria given in the table below, replace the IPDU P.C. board.

No.	Measured leads	Criterion
1	Red-White	180~300V
2	White-Black	180~300V
3	Black-Red	180~300V

\* When connecting the compressor leads back to the compressor terminals after checking the output, check the faston connectors thoroughly to ensure that they are not crooked. If there is any loose connector, tighten it with a pair of pliers, etc. before connecting the lead.

### ▼ How to Check Resistance of Compressor Winding

(1) Turn off the power supply.

(2) Remove compressor leads from the compressors.

(3) With each compressor, check the phase-to-phase winding resistances and winding-to-outdoor cabinet resistance using a multimeter.

- Grounded trouble?  
→ It is normal if the winding-to-outdoor cabinet resistance is 10M $\Omega$  or more.
- Inter-winding short circuit?  
→ It is normal if the phase-to-phase resistances are in the 0.1-1.0 $\Omega$  range. (Use a digital multimeter.)

### ▼ How to Check Outdoor Fan Motor

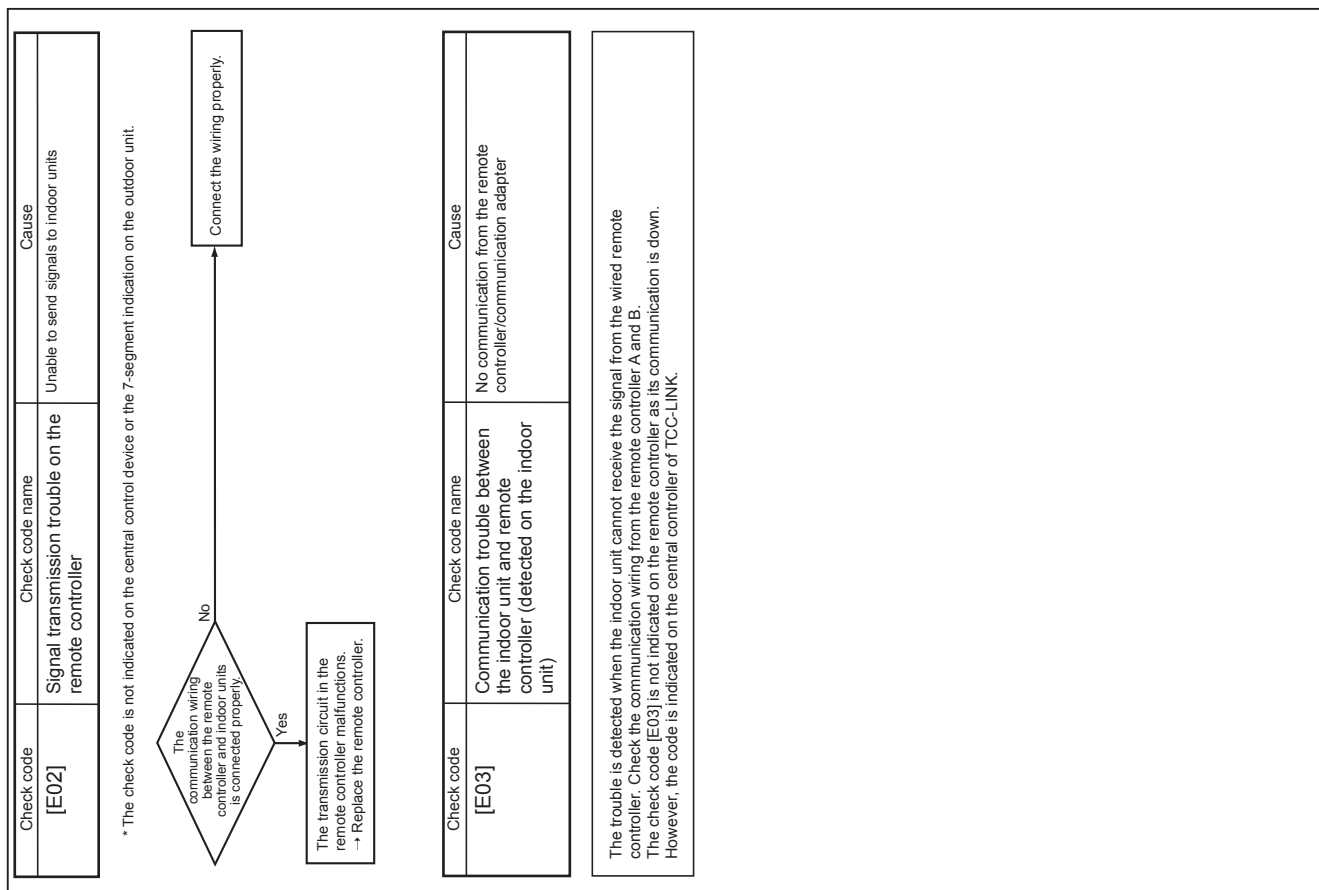
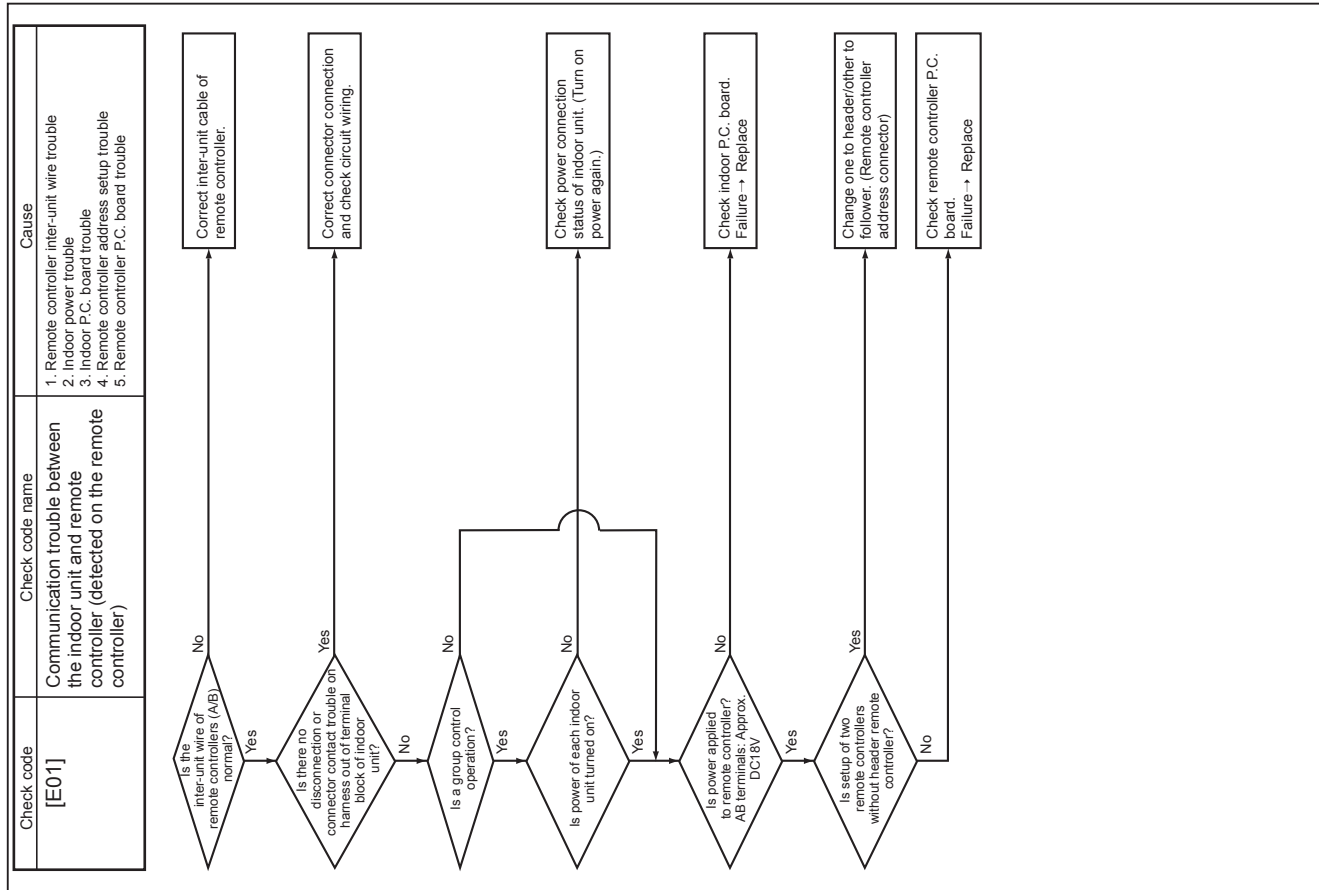
(1) Turn off the power supply.

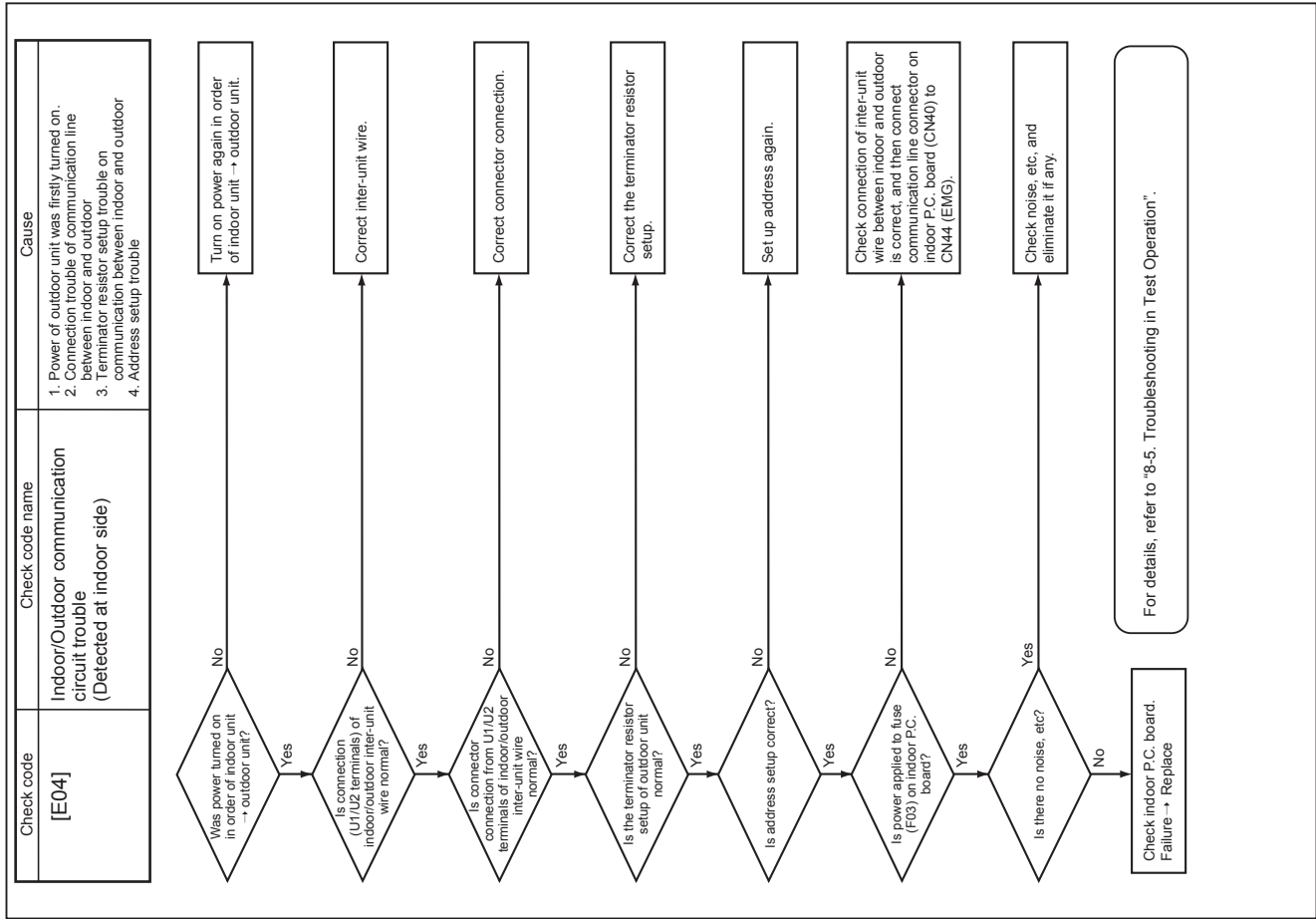
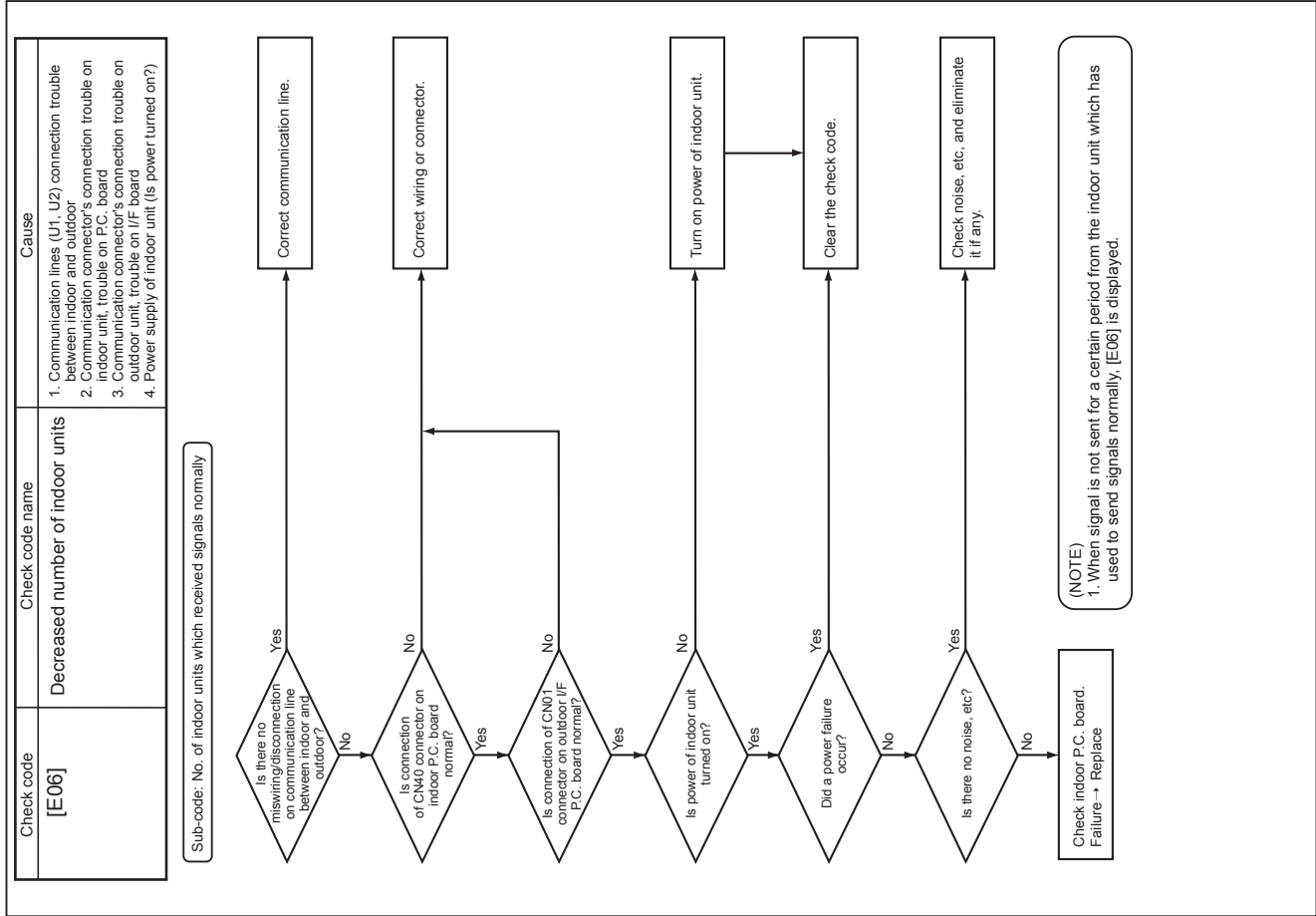
(2) Remove fan motor leads from the IPDU P.C. board for the outdoor fan (CN703-CN705).

(3) Rotate the fan by hand. If the fan does not turn, the fan motor is faulty (locked up). Replace the fan motor.

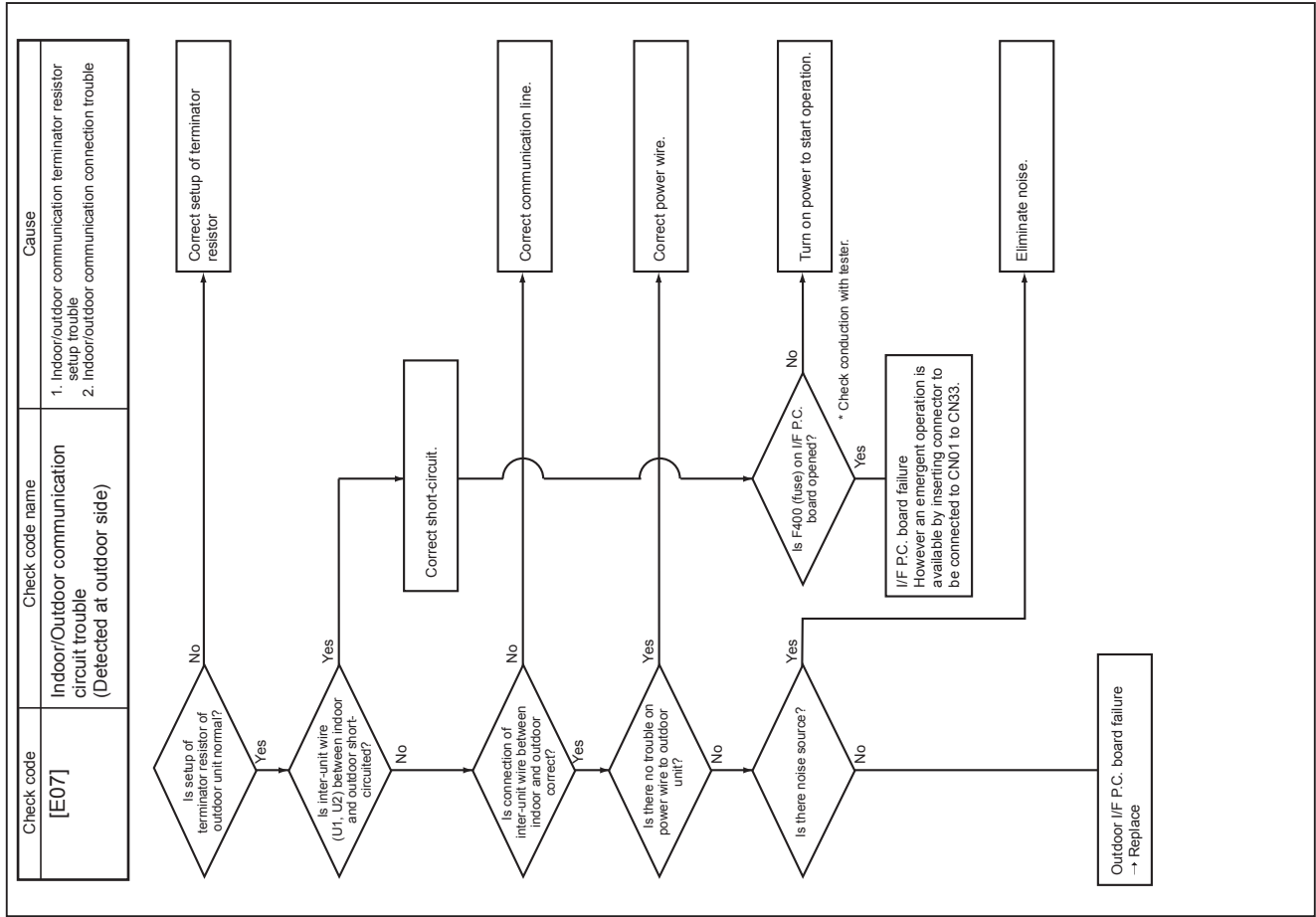
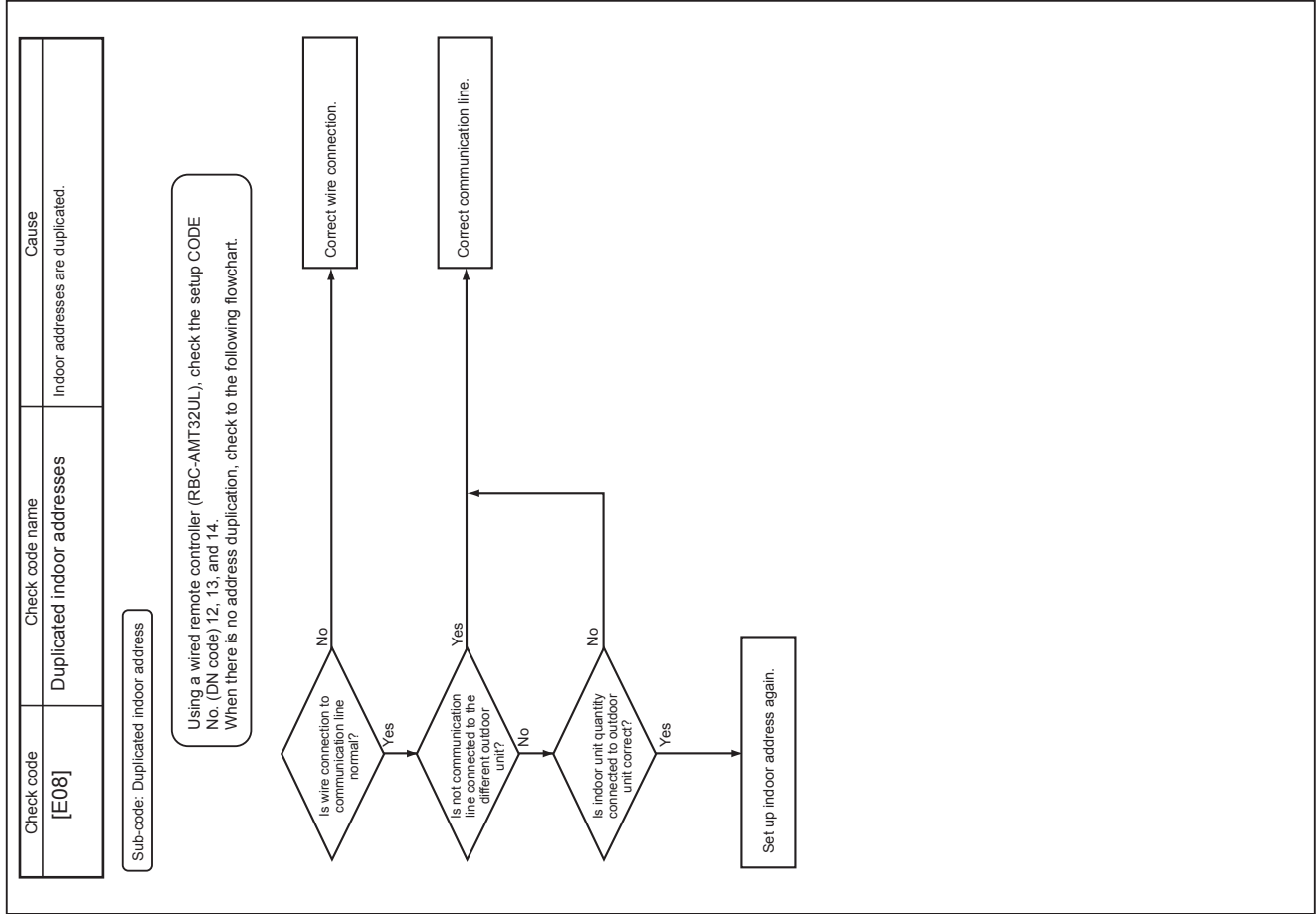
If the fan turns, measure the phase-to-phase winding resistances using a multimeter. It is normal if the measurements are in the 1.9-2.6 $\Omega$  range. (Use a digital multimeter.)

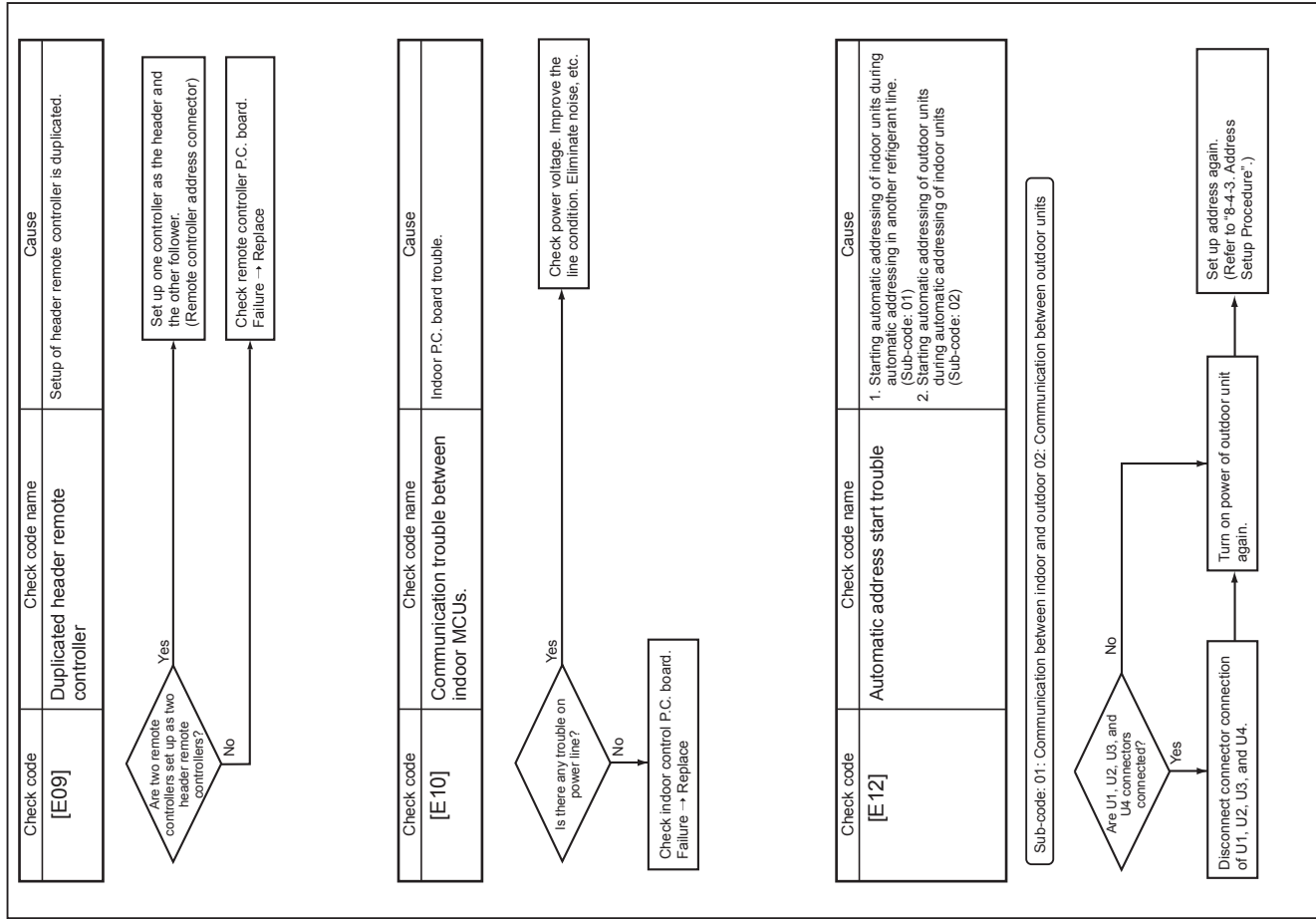
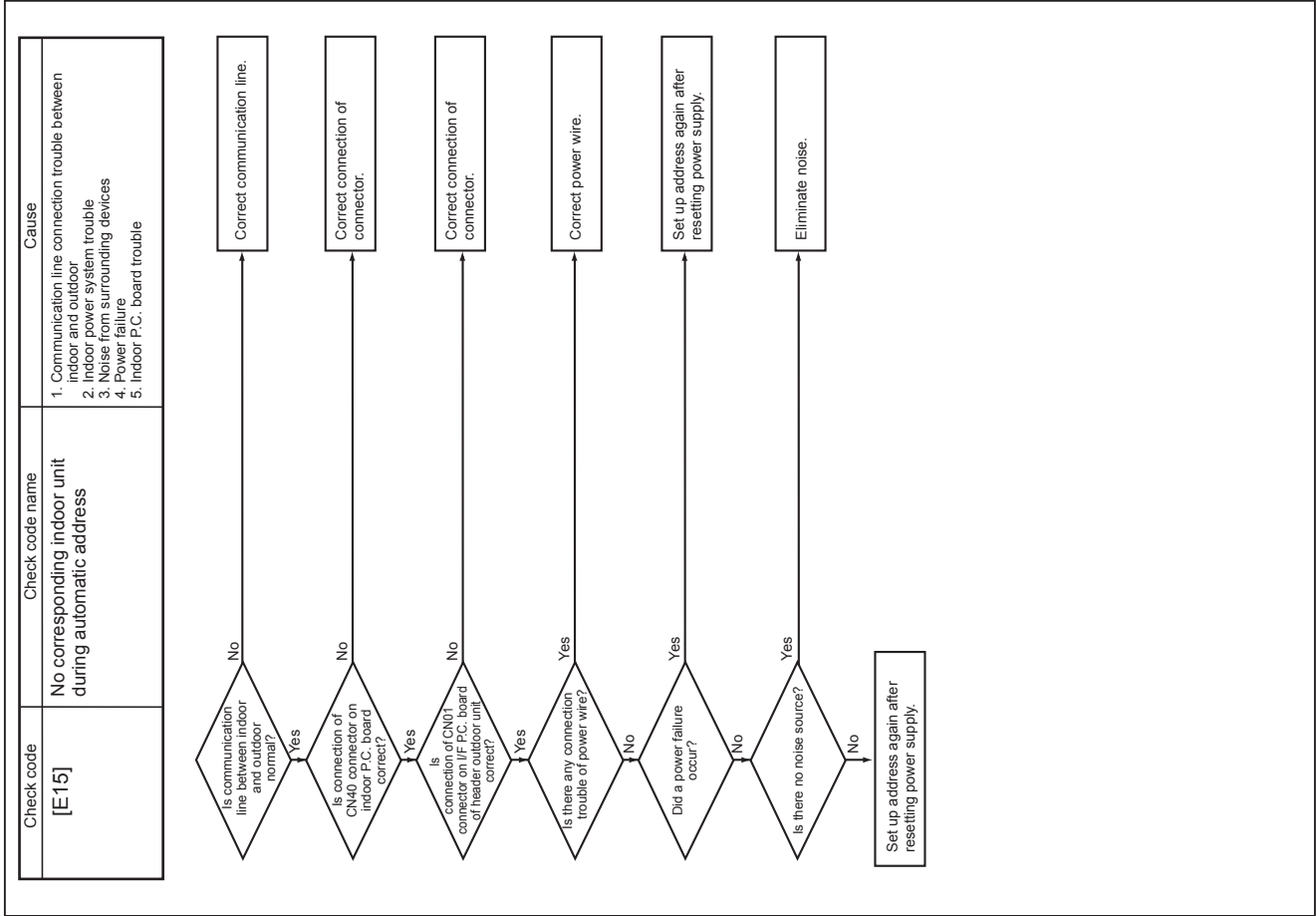
## 9-5. Diagnosis procedure for each check code

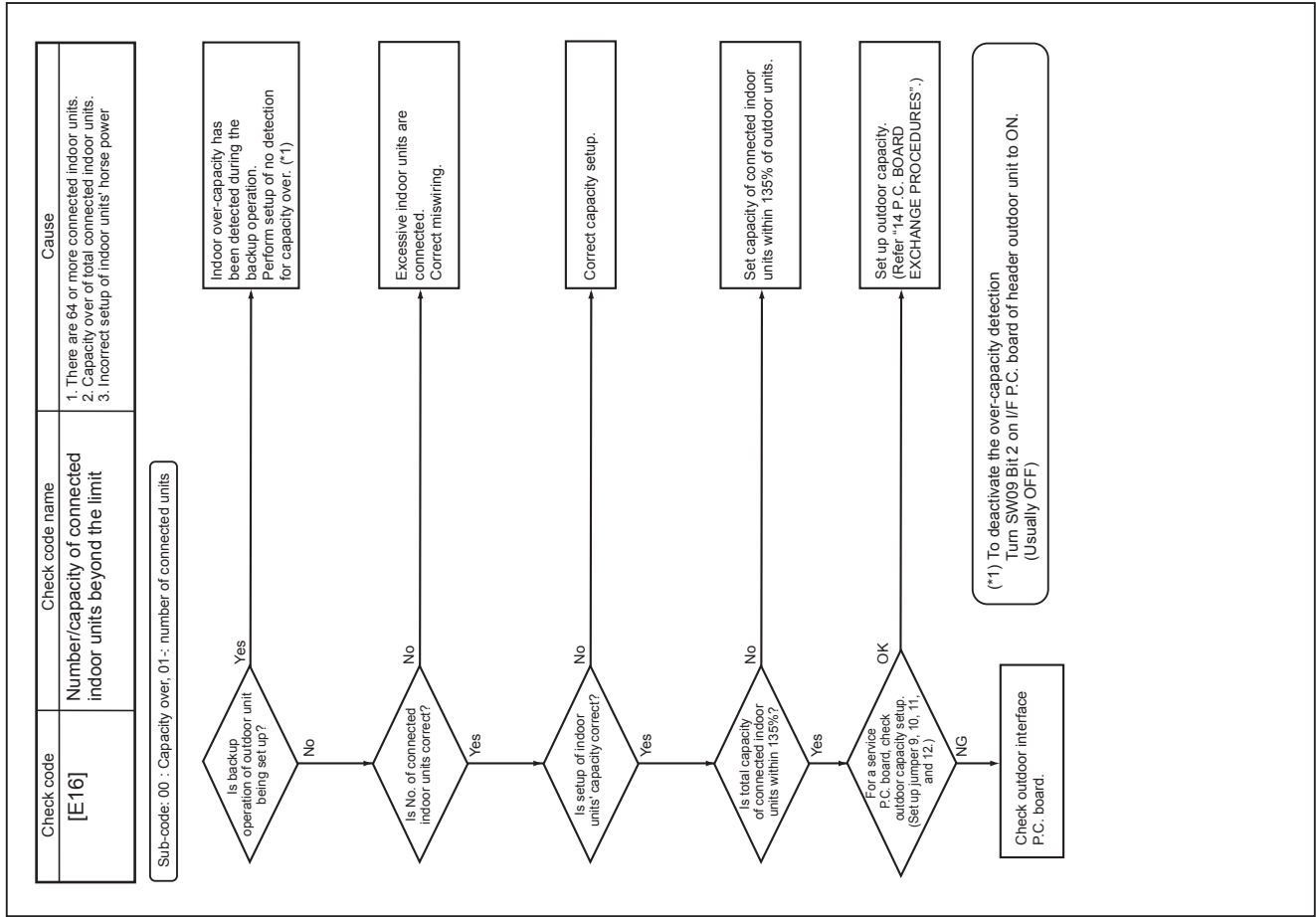
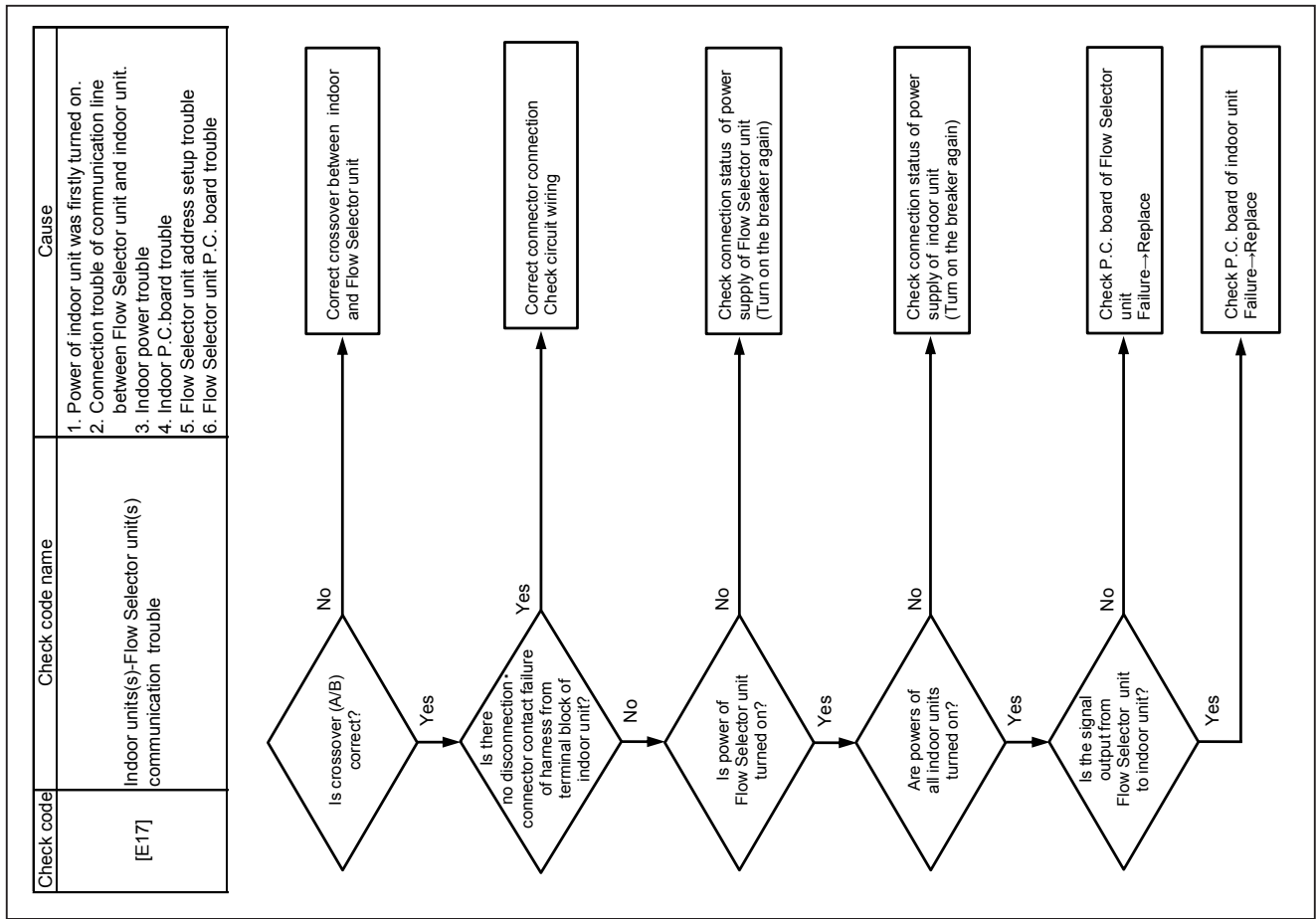


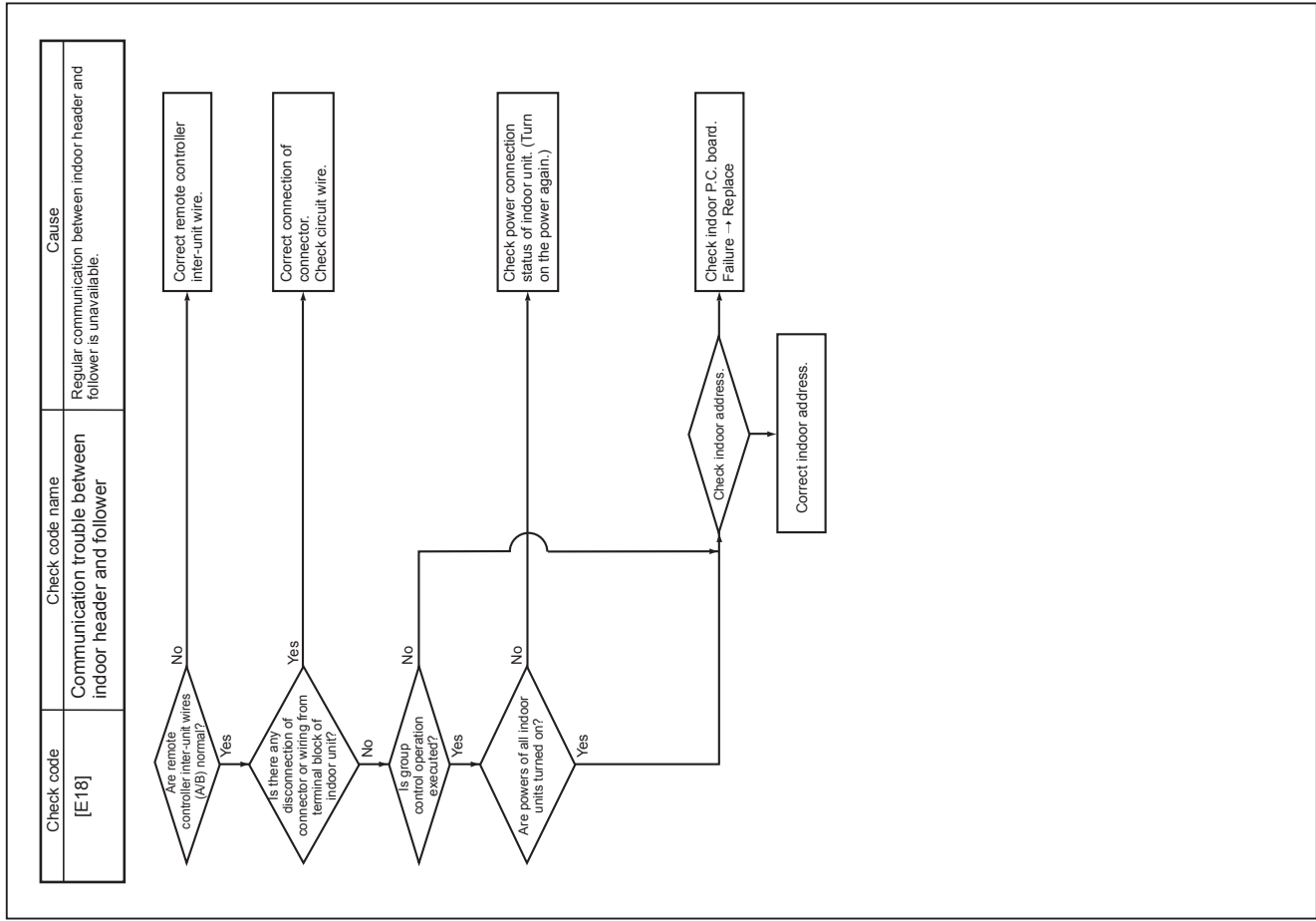
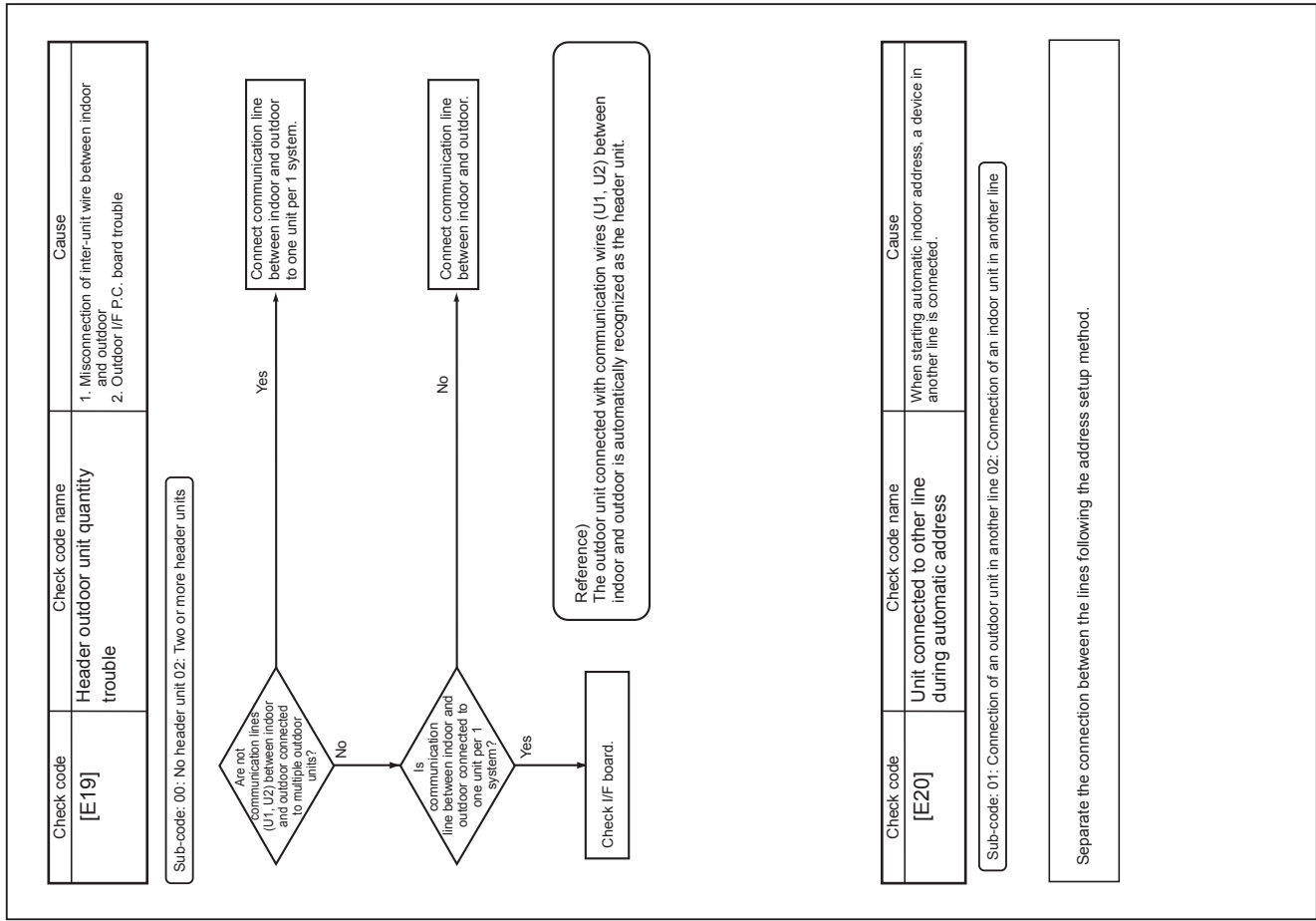






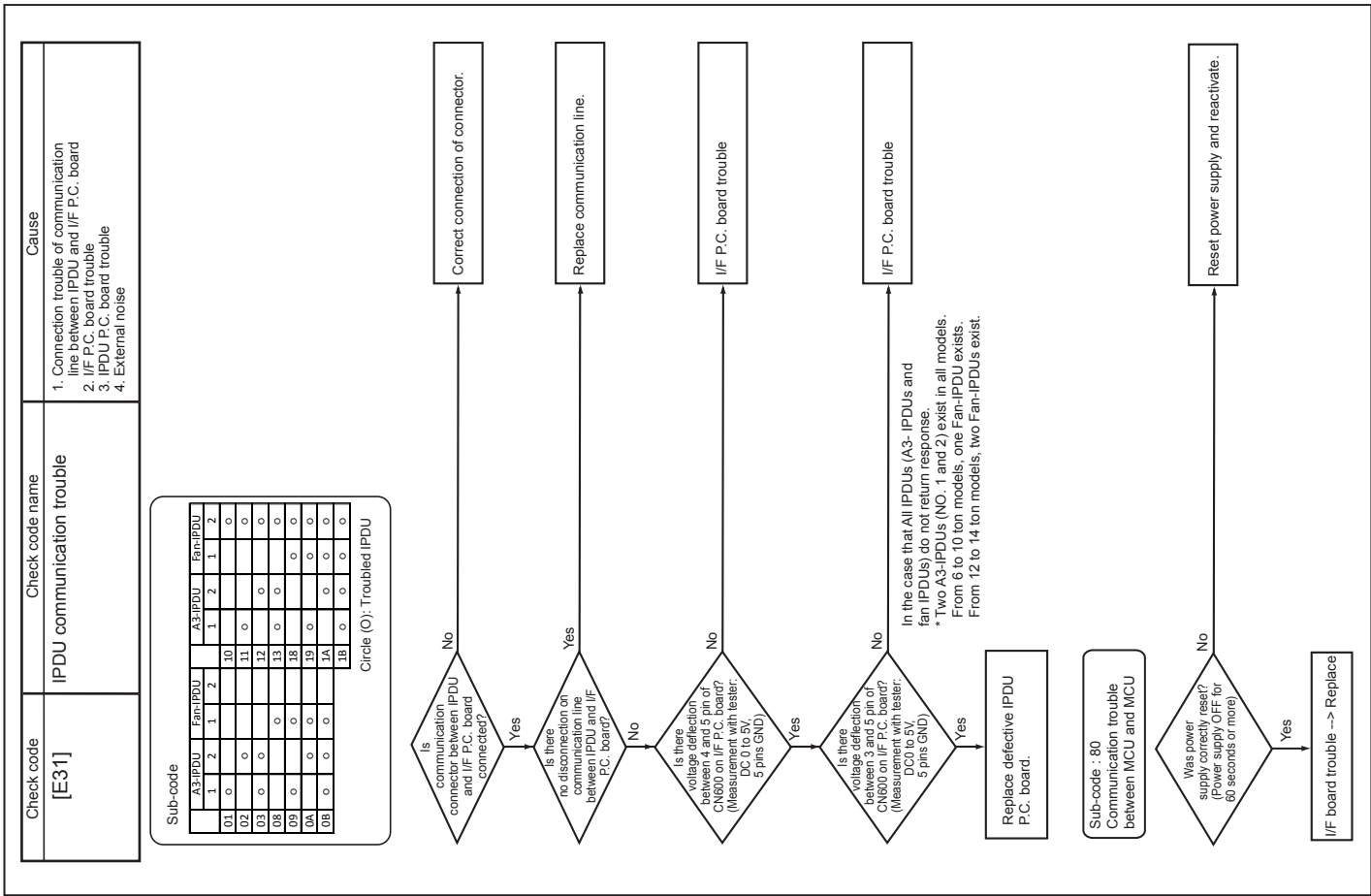
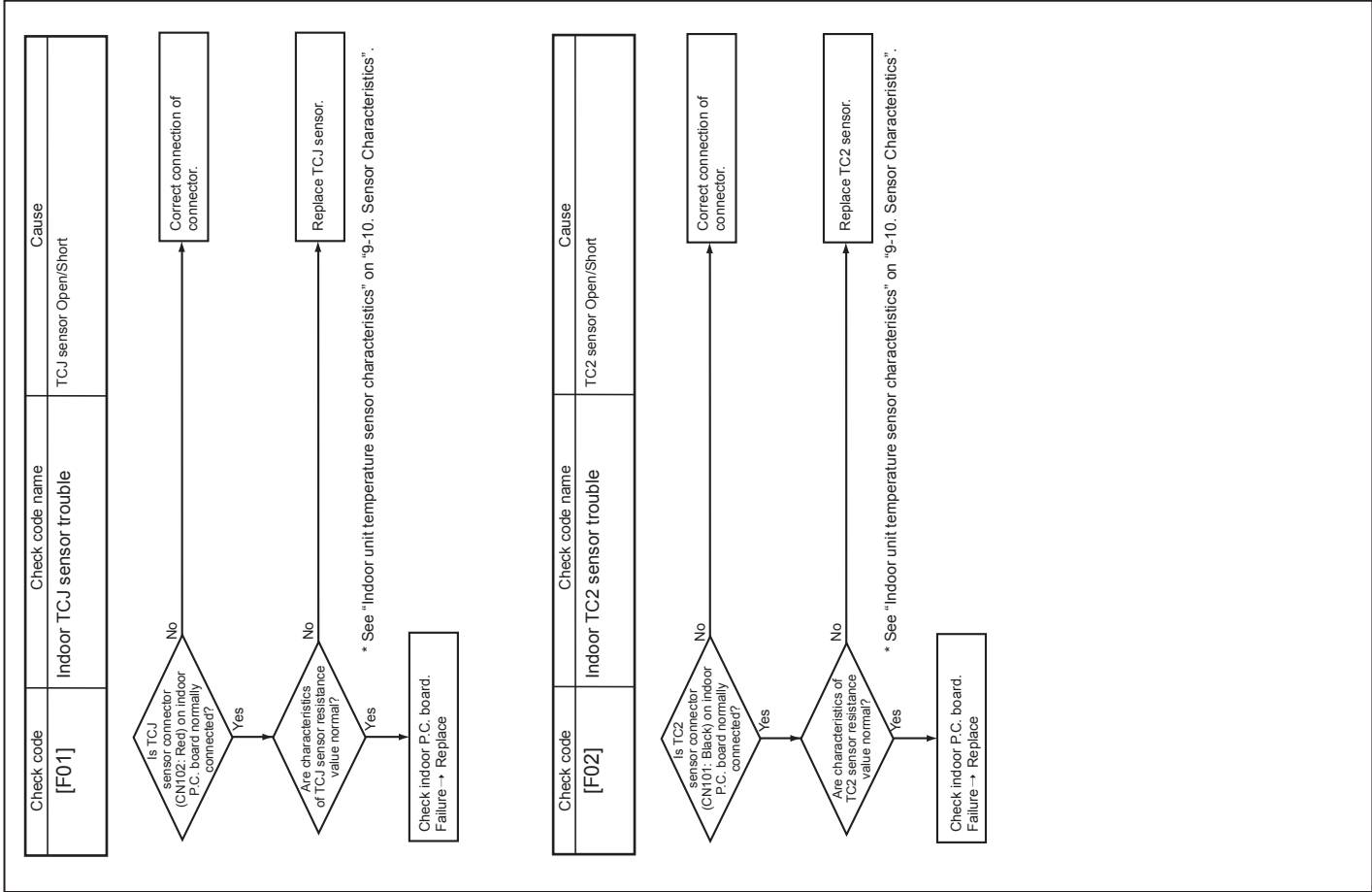






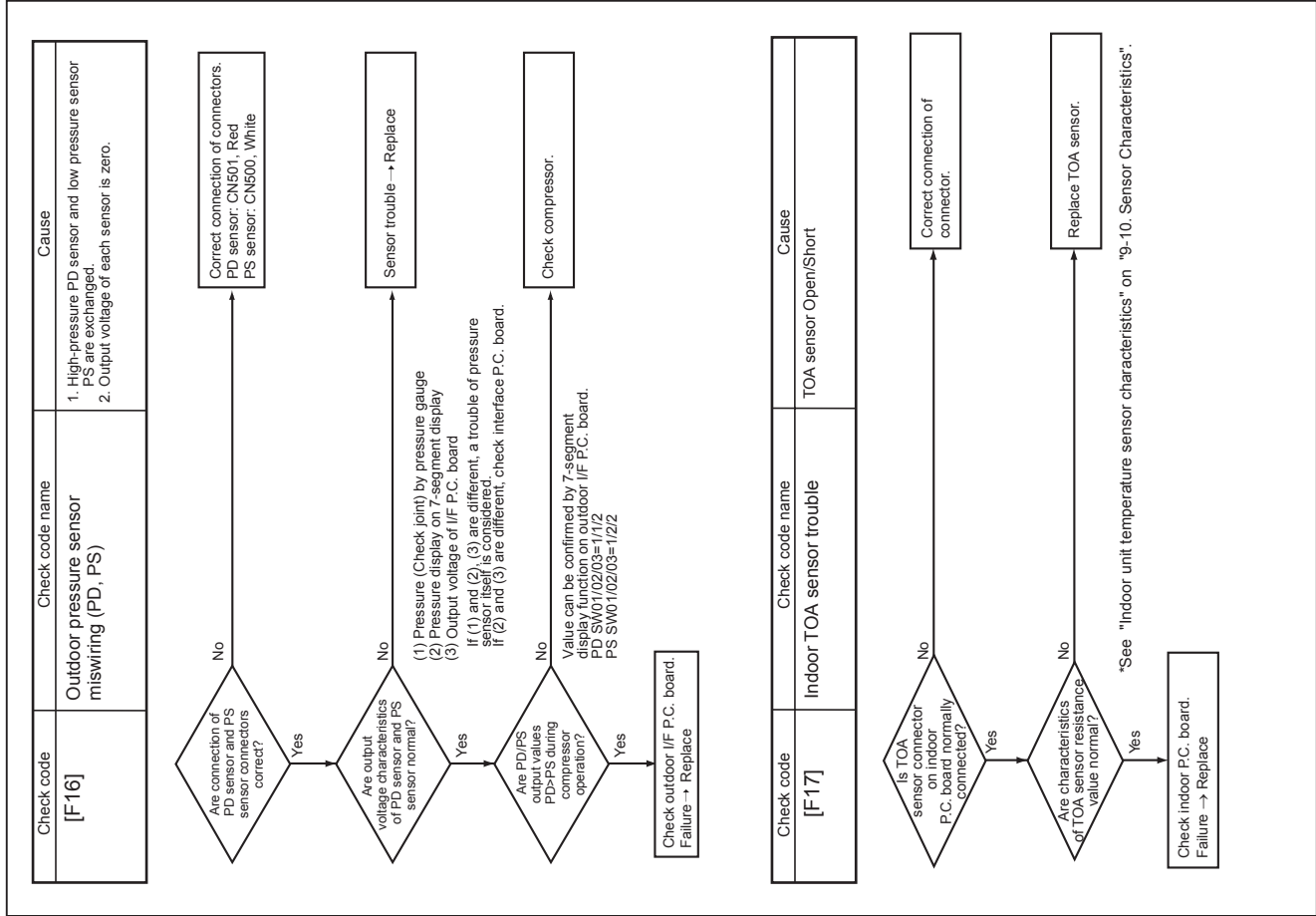
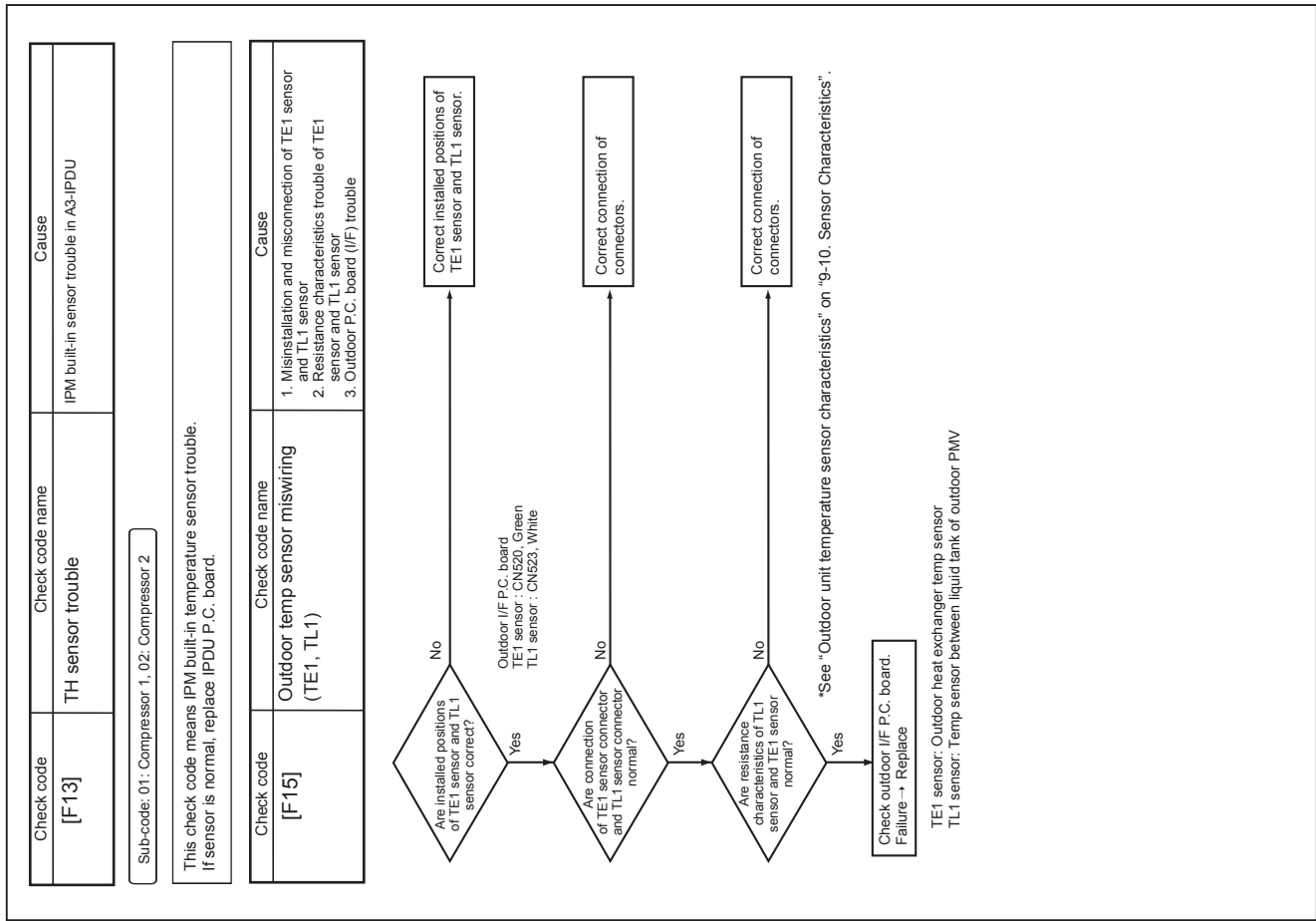
<b>Check code</b> [E25]	<b>Check code name</b> Duplicated follower outdoor address setup	<b>Cause</b> Addresses are duplicated by manual setup of outdoor address
Do not set up outdoor addresses manually.		
<b>Check code</b> [E26]	<b>Check code name</b> Decrease of connected outdoor units	<b>Cause</b> 1. Outdoor unit backup setup 2. Outdoor power trouble 3. Communication line connection trouble 4. Between outdoor units 5. Outdoor I/F P.C. board trouble
Sub-code: Address of the outdoor unit receiving signal abnormally		
<b>Check code</b> [E28]	<b>Check code name</b> Follower outdoor unit trouble	<b>Cause</b> Trouble has occurred on a follower outdoor unit.
Sub-code: Detected outdoor unit No.		
A trouble occurred on a follower unit. See the check code on the 7-segment display on I/F P.C. board of the follower unit, and then check it according to diagnose procedure for the check code. (How to specify the follower outdoor unit in which trouble occurred) Push SW04 for 1 second or more under condition that [E28] is displayed on the 7-segment display of the header unit. The fan of the outdoor unit which stopped due to occurrence of trouble starts rotating. Push SW05 to stop the fan.		

<b>Check code</b> [E23]	<b>Check code name</b> Communication signal sending trouble between outdoor units	<b>Cause</b> 1. Inter-unit wire connection trouble between outdoor units 2. Communication connector connection trouble between outdoor units, I/F P.C. board trouble 3. End terminal resistance setup trouble between outdoor units

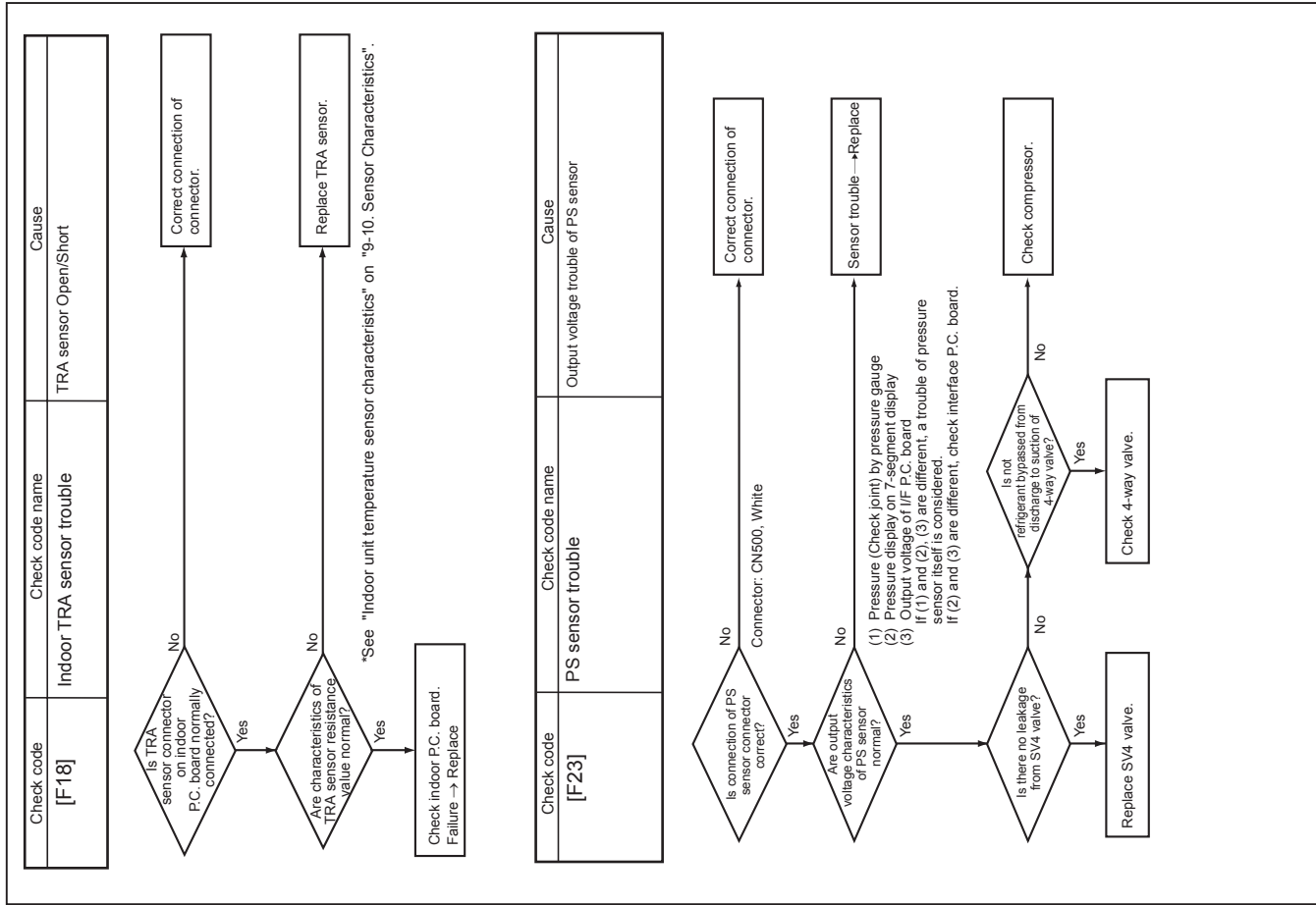
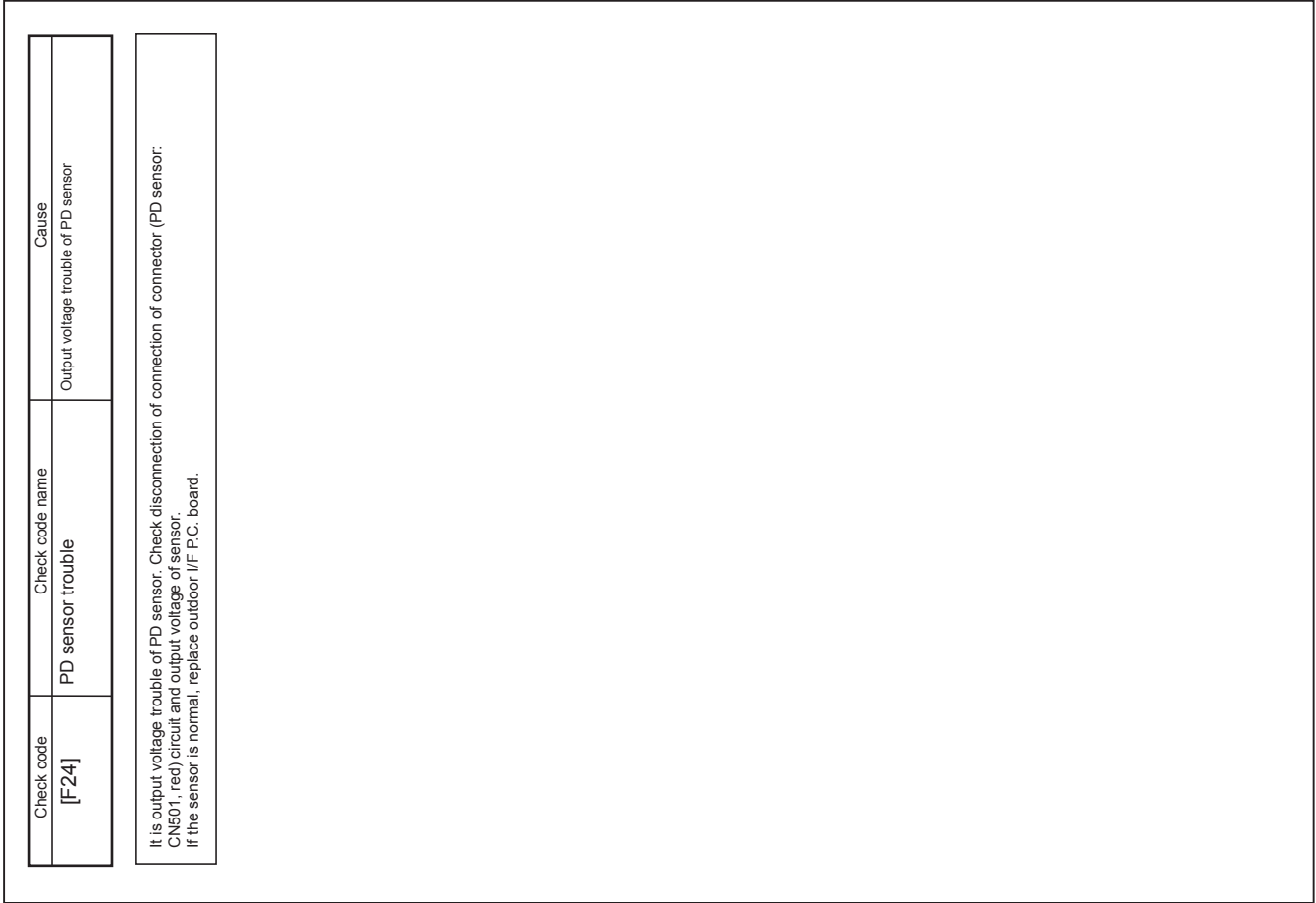


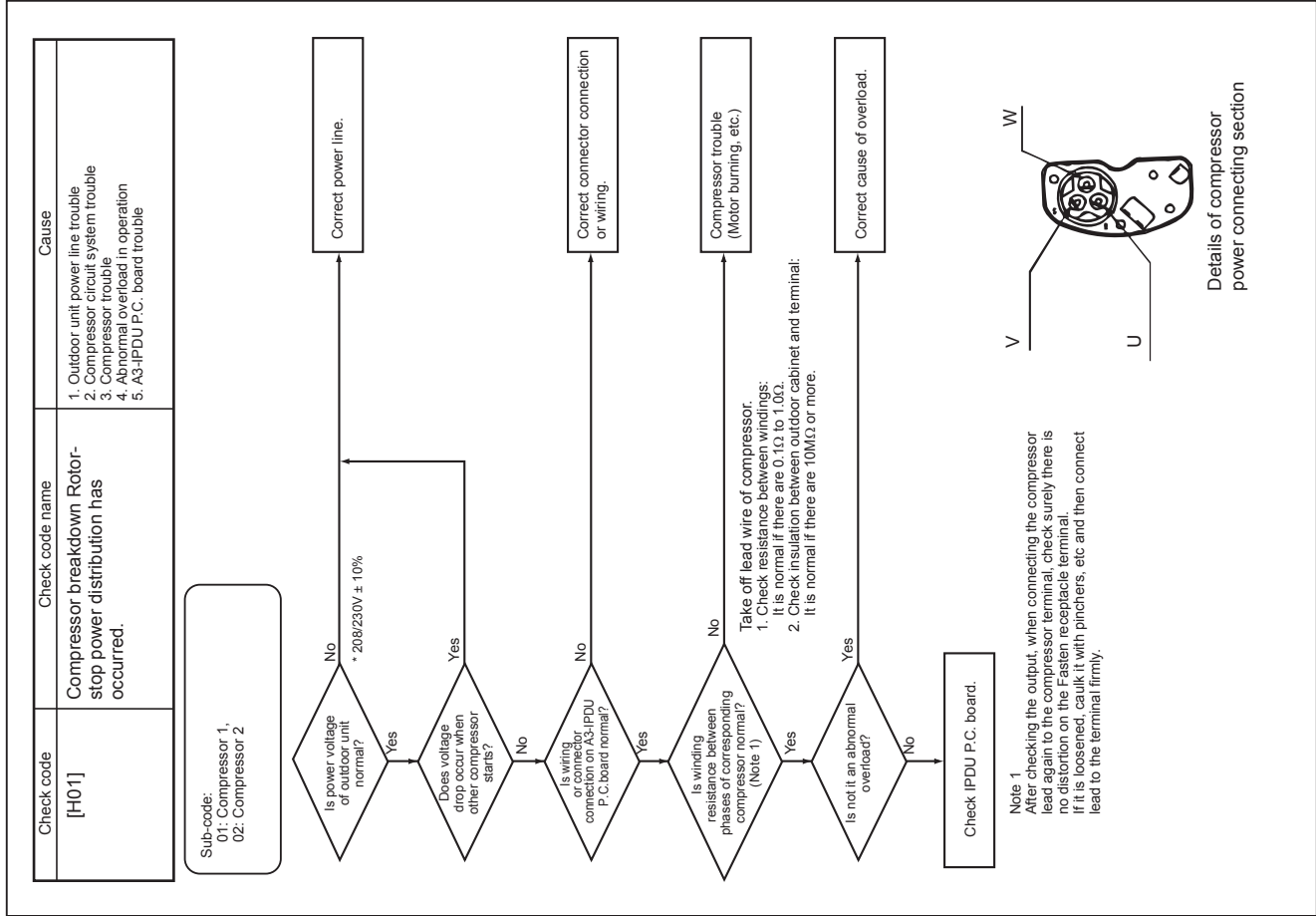
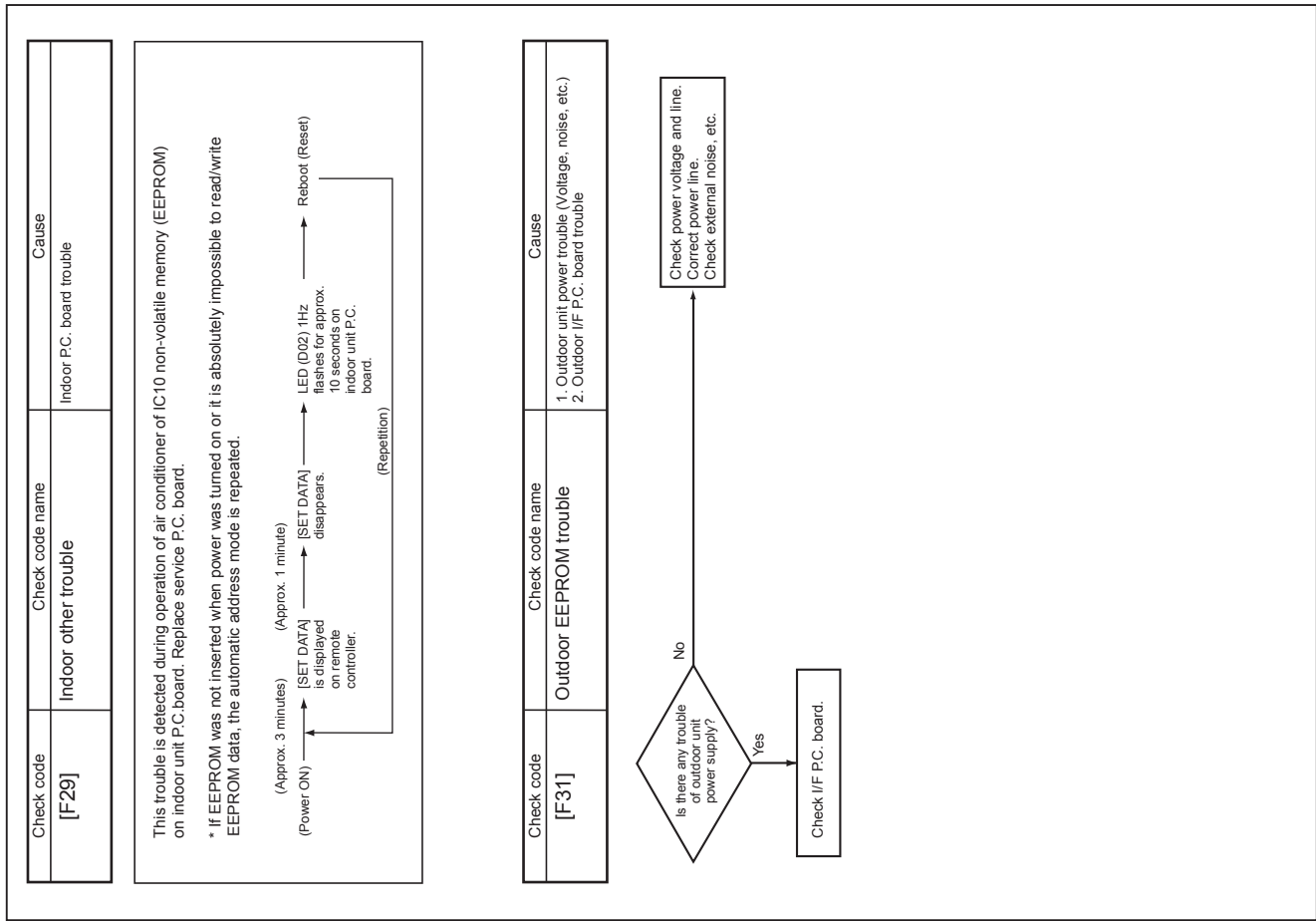
Check code	Check code name	Cause
[F07]	TL1 sensor trouble	TL1 sensor Open/Short
Sub-code: 01:TL1		
This check code means detection of Open/Short of TL1 sensor. Check disconnection of circuit for connection of connector (TL1 sensor: CN523WH1 and characteristics of sensor resistance value. (See "Outdoor unit temperature sensor characteristics" on "9-10. Sensor Characteristics".) If sensor is normal, replace outdoor I/F P.C. board.		
Check code	Check code name	Cause
[F08]	TO sensor trouble	TO sensor Open/Short
This check code means detection of Open/Short of TO sensor. Check disconnection of circuit for connection of connector (TO sensor: CN507, Yellow) and characteristics of sensor resistance value. (See "Outdoor unit temperature sensor characteristics" on "9-10. Sensor Characteristics".) If sensor is normal, replace outdoor I/F P.C. board.		
Check code	Check code name	Cause
[F10]	Indoor TA/TSA sensor trouble	TA sensor Open/Short
This check code means detection of Open/Short of TA sensor. Check disconnection of circuit for connection of connector (TA/TSA sensor: CN104, Yellow) and characteristics of sensor resistance value. (See "Indoor unit temperature sensor characteristics" on "9-10. Sensor Characteristics".) If sensor is normal, replace indoor P.C. board.		
Check code	Check code name	Cause
[F12]	TS1,TS2 sensor trouble	TS1,TS2 sensor Open/Short
Sub-code: 01:TS1, 02:TS2		
This check code means detection of Open/Short of TS1,TS2 sensor. Check disconnection of circuit for connection of connector (TS1 sensor: CN505WH1, TS2 sensor: CN506BLK) and characteristics of sensor resistance value. (See "Outdoor unit temperature sensor characteristics" on "9-10. Sensor Characteristics".) If sensor is normal, replace outdoor I/F P.C. board.		

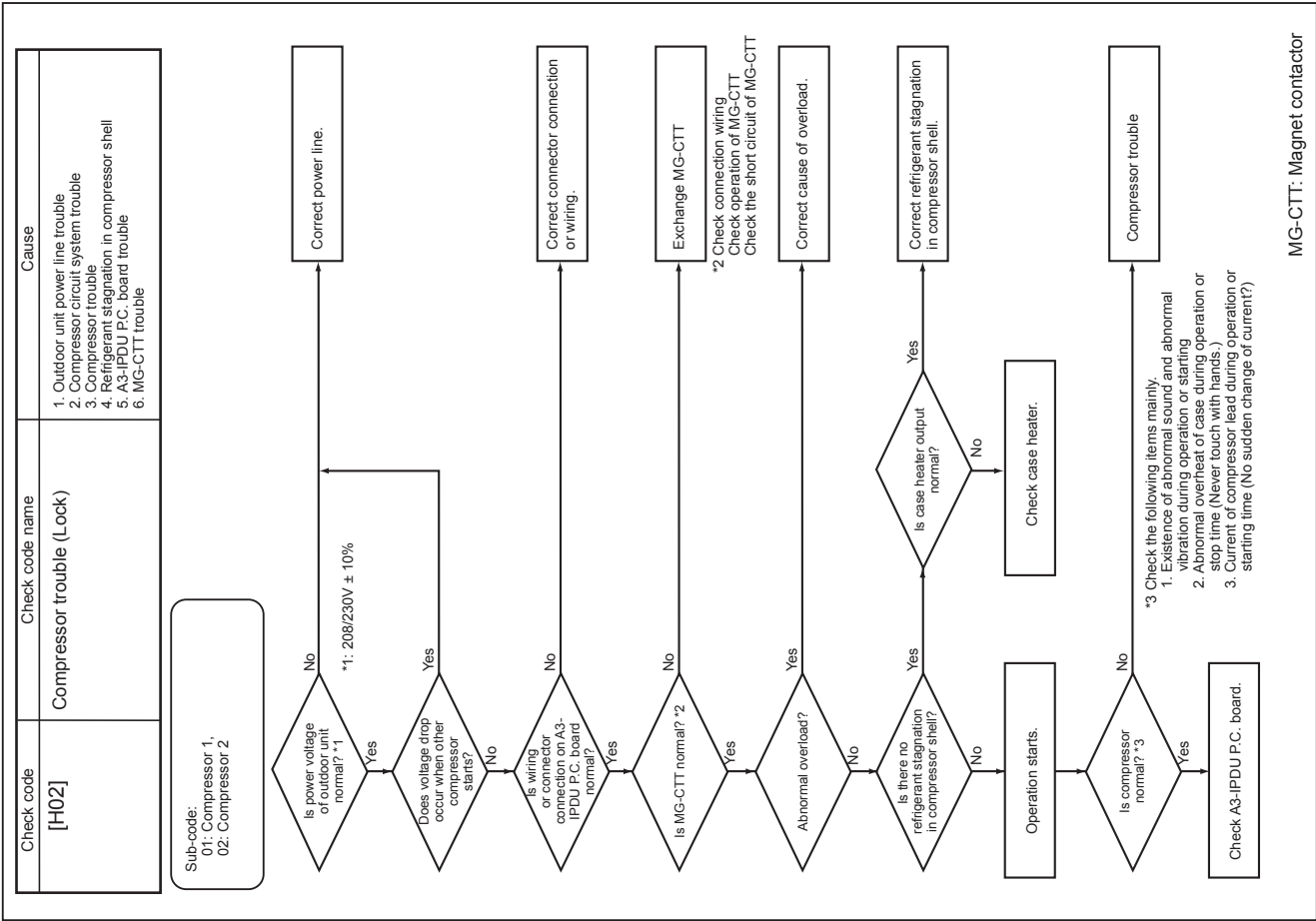
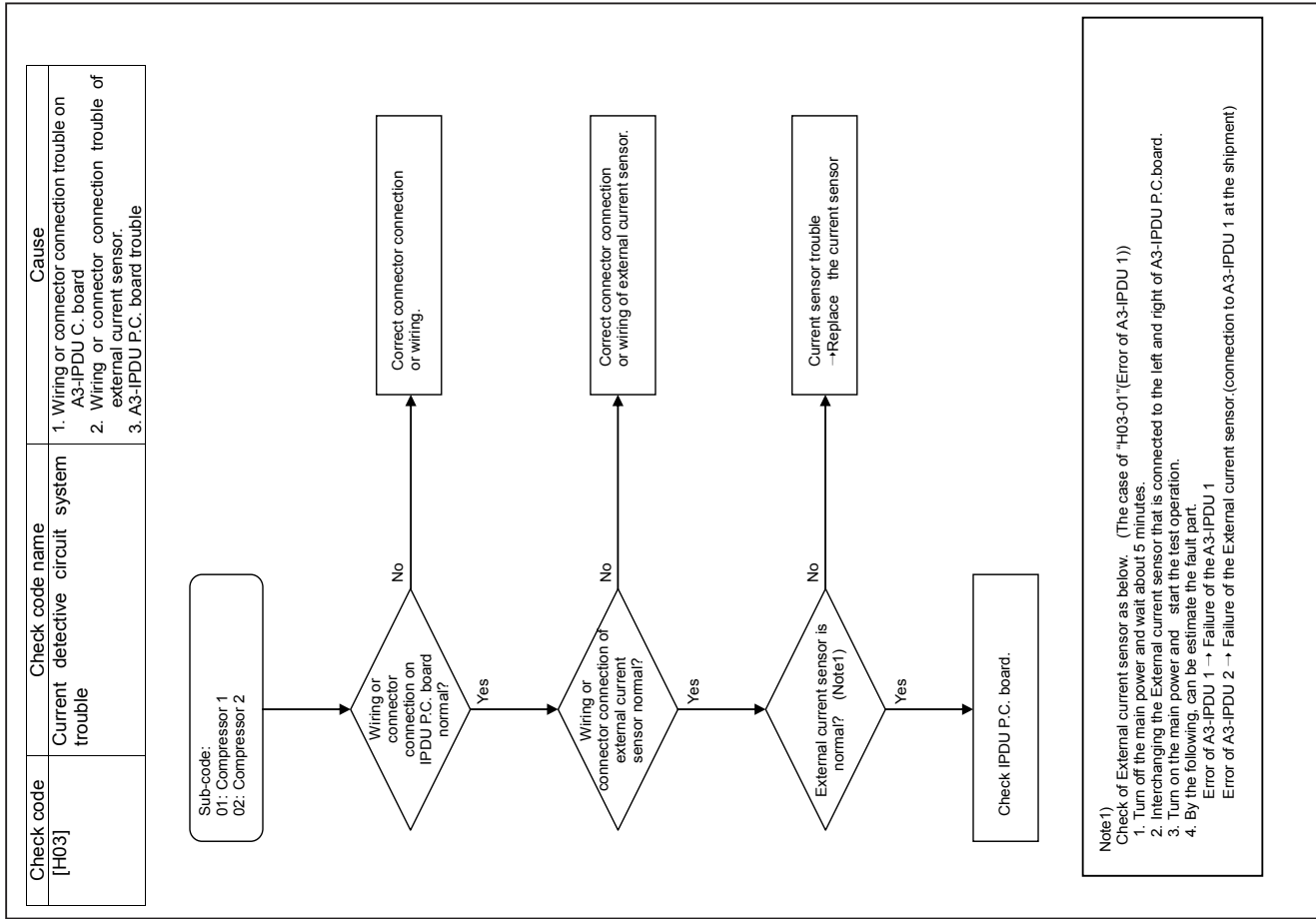
Check code	Check code name	Cause
[F03]	Indoor TC1 sensor trouble	TC1 sensor Open/Short
Check code	Check code name	Cause
[F04]	TD1 sensor trouble	TD1 sensor Open/Short
This check code means detection of Open/Short of TD1 sensor. Check disconnection of circuit for connection of connector (TD1 sensor: CN502, White) and characteristics of sensor resistance value. (See "Outdoor unit temperature sensor characteristics" on "9-10. Sensor Characteristics".) If sensor is normal, replace outdoor I/F P.C. board.		
Check code	Check code name	Cause
[F05]	TD2 sensor trouble	TD2 sensor Open/Short
This check code means detection of Open/Short of TD2 sensor. Check disconnection of circuit for connection of connector (TD2 sensor: CN503, Pink) and characteristics of sensor resistance value. (See "Outdoor unit temperature sensor characteristics" on "9-10. Sensor Characteristics".) If sensor is normal, replace outdoor I/F P.C. board.		
Check code	Check code name	Cause
[F06]	TE1, TE2 sensor trouble	TE1, TE2 sensor Open/Short
This check code means detection of Open/Short of TE1 sensor. Check disconnection of circuit for connection of connector (TE1 sensor: CN520, Green, TE2 sensor: CN521, Red) and characteristics of sensor resistance value. (See "Outdoor unit temperature sensor characteristics" on "9-10. Sensor Characteristics".) If sensor is normal, replace outdoor I/F P.C. board.		





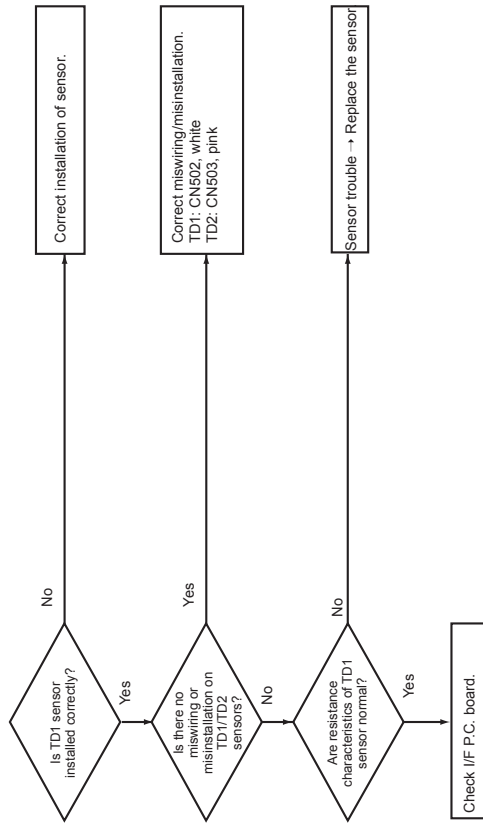


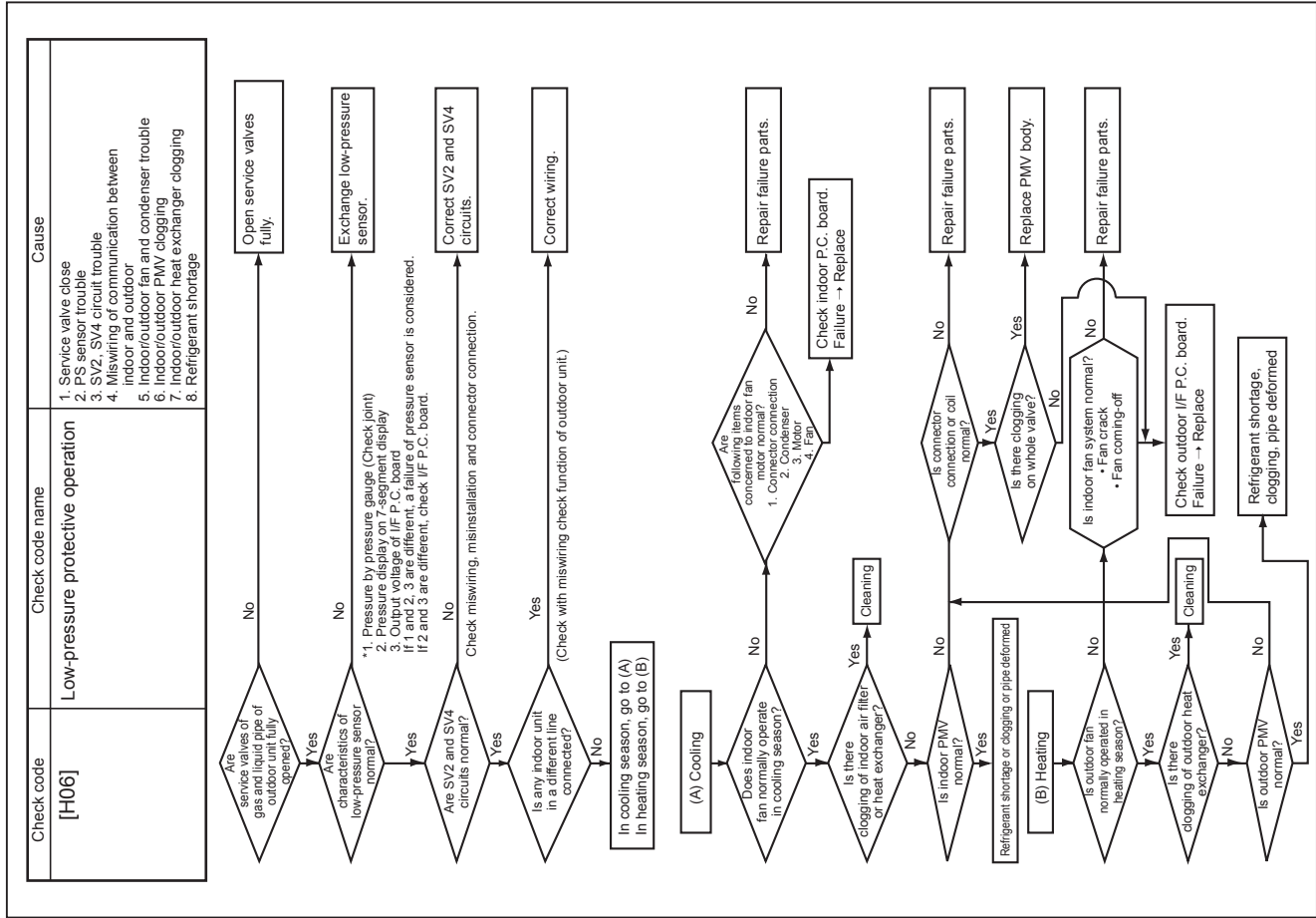
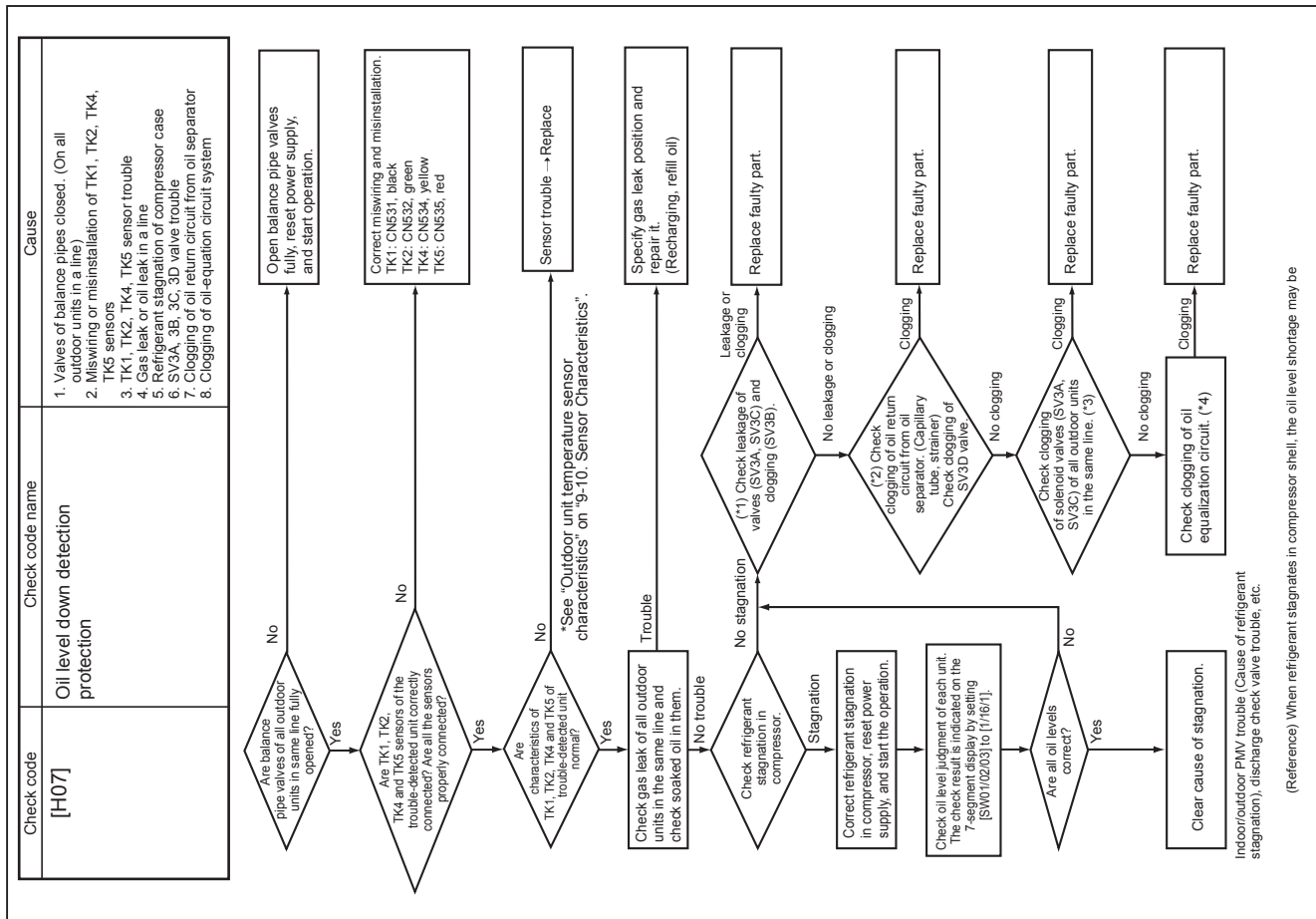




MG-CTT: Magnet contactor

Check code	Check code name	Cause
[H05]	Outdoor discharge temperature sensor (TD1) misconnection	1. Coming-off of TD1 sensor 2. Misinstallation of TD1, TD2 sensor, miswiring, characteristics trouble of resistance value





**(\*2) Checking the oil return circuit from oil separator and clogging in SV3D valve**

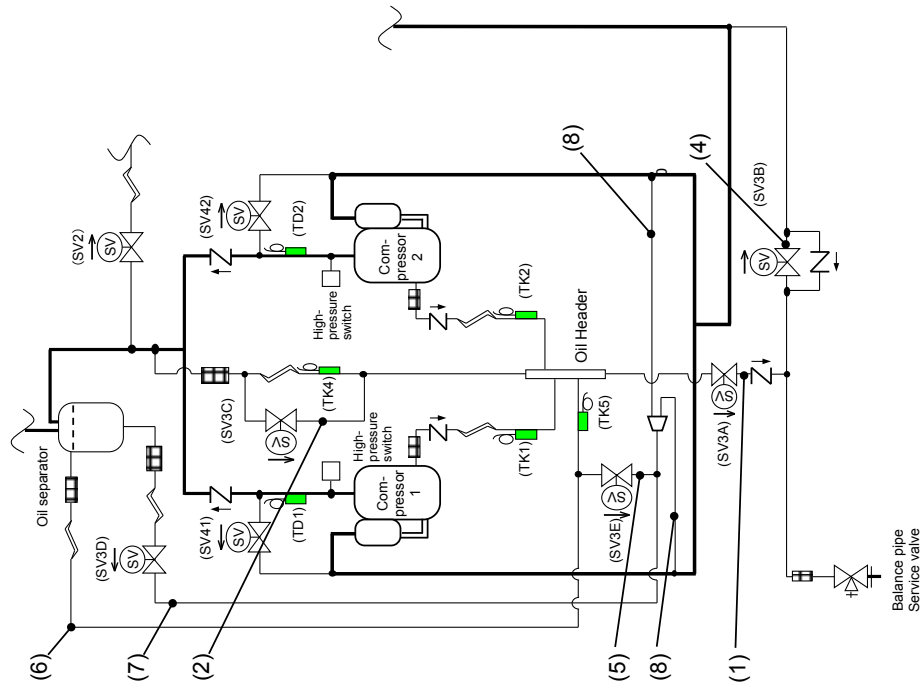
- a) Oil return circuit**
- While outdoor unit is operating, check temperature (secondary side of capillary) on oil return circuit. ((6) in the figure.)  
→ If temperature is low equivalent to suction temperature), a clogging of strainer of oil return circuit or capillary is considered. Replace the clogged part.
- b) Clogging check for SV3D valve**
- While outdoor unit is operated, set up SW01/02/03 = [2] [1] [3] (7-segment display [Hr] [... ..: ...]), and push SW04 for 2 seconds or more.
  - Set up SW02 = [9], and turn on SV3D valve. (7-segment display [Hr] [... 3 dj])
  - If temperature is low at secondary side of the valve or it does not change, clogging of valve, capillary, or strainer is considered. ((7) in the figure.) Replace the clogged part.

In some cases, it may be difficult to check the leakage of clogging in the following condition of refrigerant stagnation in low ambient temperature condition.  
In this case, take a longer operating time prior to check.  
(Criterion: Discharge temperature of TD1 and TD2 are 140°F (60°C) or higher)

**(\*1) Checking leakage and clogging on solenoid valves**

- a) Leakage check for SV3A valve (For multiple outdoor unit system)**
- Turn off the power supply, take off connector of SV3A valve, and then start a test operation after power-ON.
  - Check the temperature change at secondary side of SV3A valve during operation. ((1) in the figure.)  
→ If temperature is raised, leakage occurs in the SV3A valve. Replace SV3A valve.
- b) Leakage check for SV3C valve**
- Turn off the power supply, take off connector of SV3C valve, and then start a test operation after power-ON.
  - After operation for several minutes, check temperature at secondary side of SV3C valve. ((2) in the figure.)  
→ If temperature is high (equivalent to discharge temperature TD), leakage occurs in the SV3C valve. Replace SV3C valve.  
(Even if leakage does not occur in the SV3C valve, temperature of SV3C valve at secondary side rises during operation. But the temperature is lower than TD when there is no leakage.)
- c) Clogging check for SV3B valve (For multiple outdoor unit system)**
- While outdoor unit is operated, set up SW01/02/03 = [2] [1] [3] (7-segment display [Hr] [... ..: ...]), and push SW04 for 2 seconds or more.
  - Set up SW02 = [10], and turn on SV3A, SV3B, SV3C valves. (7-segment display [Hr] [... 3 -])
  - While outdoor units are operating, check temperature change at secondary side of SV3B valve. ((4) in the figure.)  
→ If temperature does not rise (equivalent to suction temperature), it is a clogging of SV3B valve. Replace SV3B valve.

MMY-MAP0726\*  
 MMY-MAP0966\*  
 MMY-MAP1206\*  
 MMY-MAP1446\*  
 MMY-MAP1686\*



**(\*3) Check for solenoid valve of all outdoor units in a line (For multiple outdoor unit system)**

**a) Clogging check for SV3A valve**

- While outdoor unit is operating, set up SW01/02/03 = [2][1][3] (7-segment display [Hr] [... ..]), and push SW04 for 2 seconds or more.
- Set up SW02 = [6], and turn on SV3A valve. (7-segment display [Hr] [... 3 A])
- If temperature is low at secondary side of the valve or it does not change, clogging of valve or check valve is considered. ((1) in the figure.)

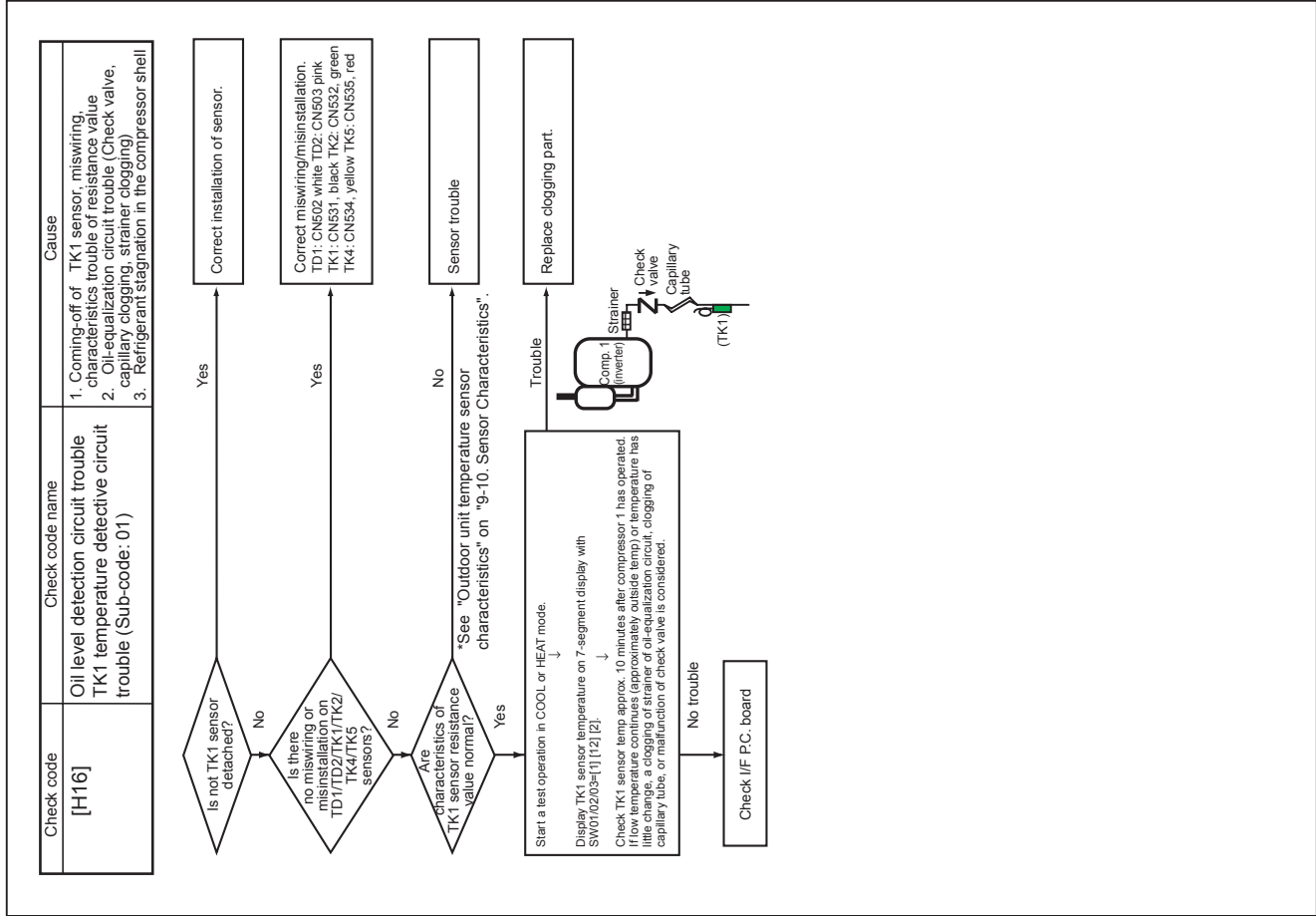
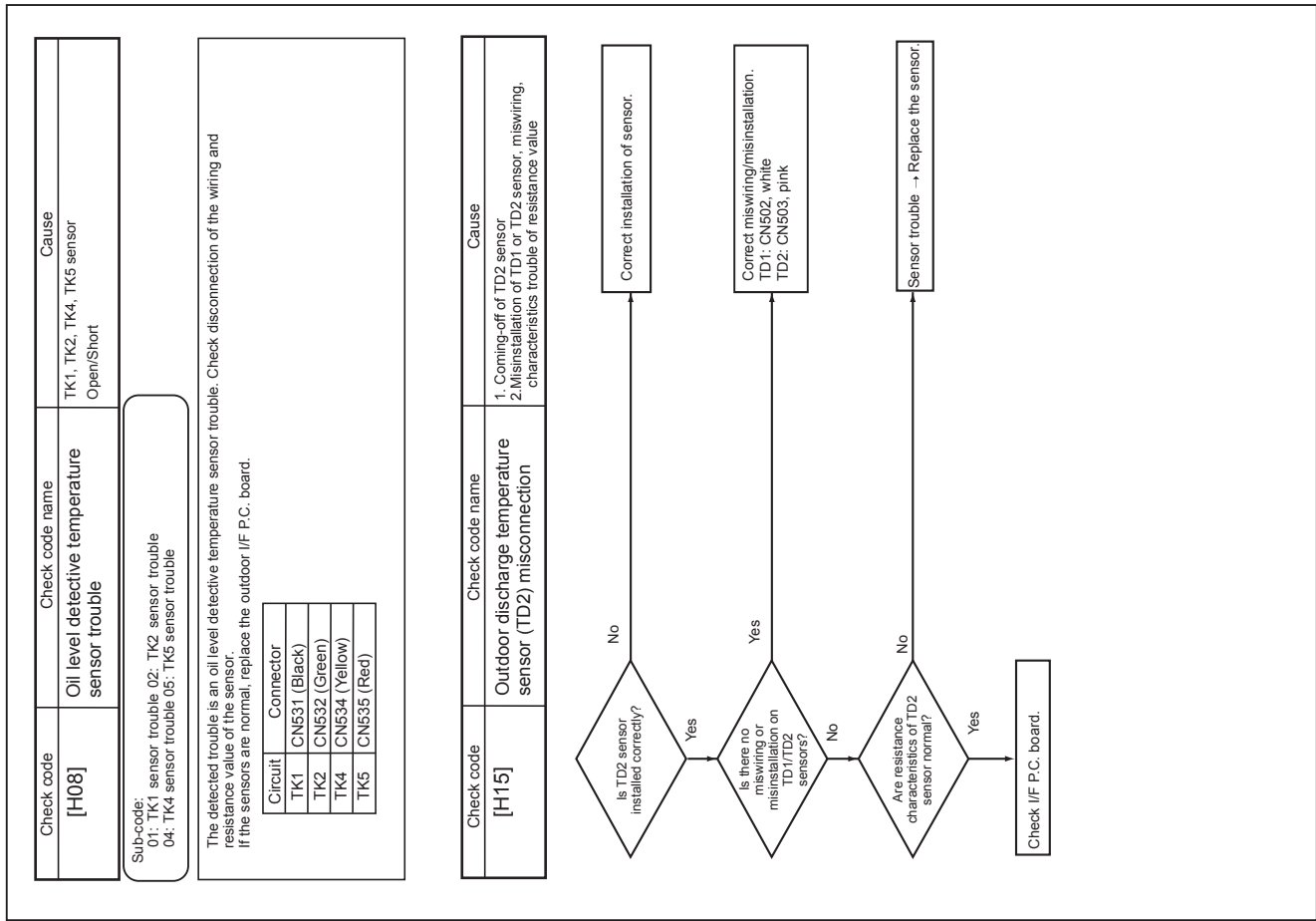
**b) Leakage check for SV3C valve**

- While outdoor unit is operating, set up SW01/02/03 = [2][1][3] (7-segment display [Hr] [... ..]), and push SW04 for 2 seconds or more.
- Set up SW02 = [8], and turn on SV3C valve. (7-segment display [Hr] [... 3 C])
- If temperature does not change (up), clogging of valve or strainer is considered. ((2) in the figure.)

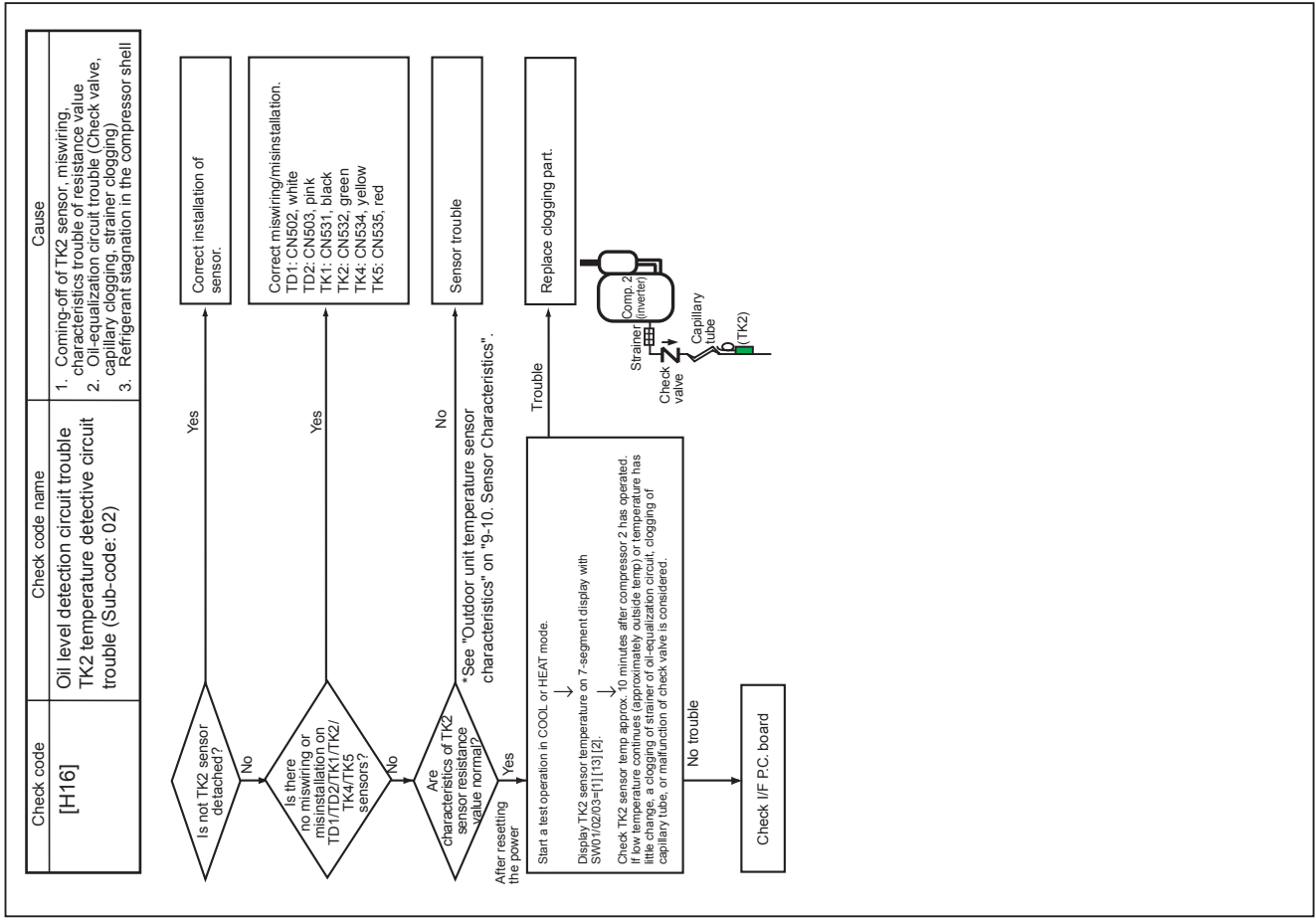
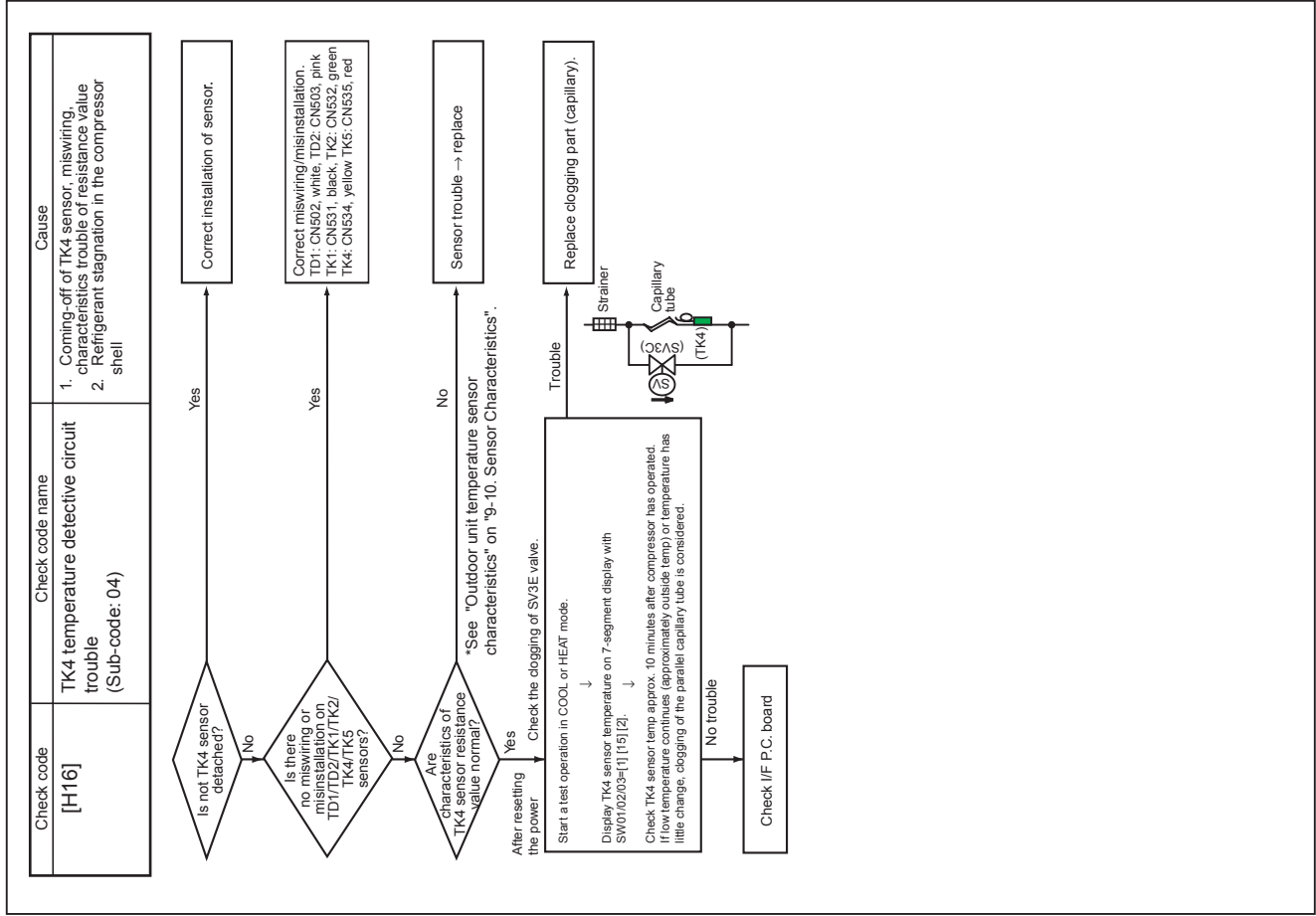
(\*4)

**a) Clogging check for oil-equalization circuit**

- Drive the outdoor unit. (Drive all compressors in the unit.)
- After driving for 10 minutes or more, check whether temperature of TK1, TK2 sensors and temperature of oil-equalization circuit capillary ((8) in the figure) has increased. (Criterion)  
 TK1, TK2=TD1, TD2 temperature - Approx. 50 to 86°F (10 to 30°C)  
 Oil-equalization capillary tubes should be higher sufficiently than outside air temperature and suction temperature.
- If temperature is low, a malfunction on check valves or clogging of capillary, strainer or distributor is considered. Repair the defective parts.



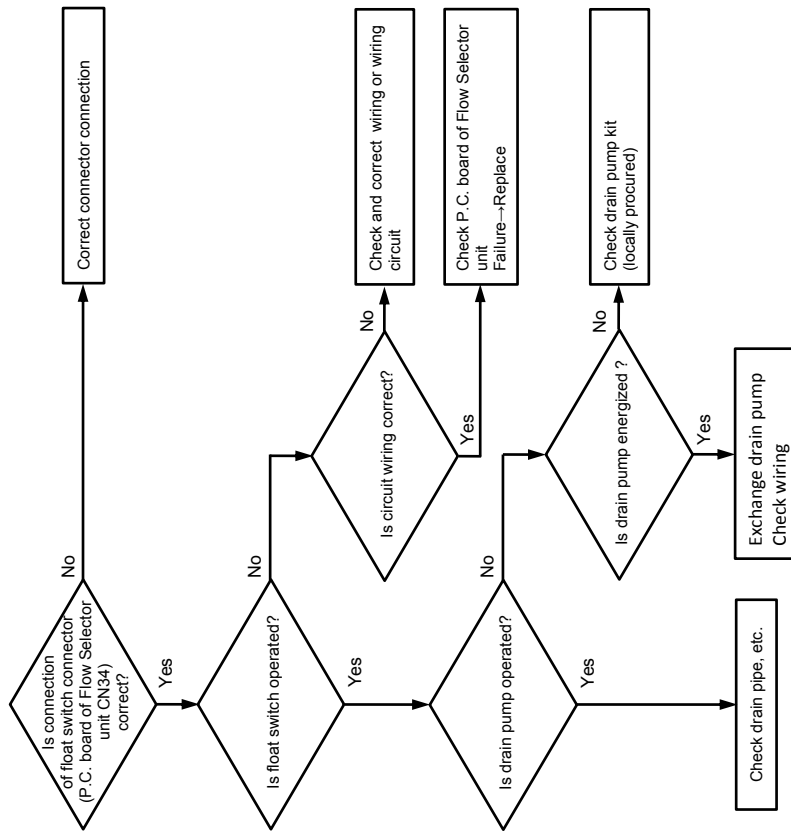




Check code	Check code name	Cause
[J03]	Duplication of Flow Selector units	1. More than one Flow Selector units have been set up in one refrigerant line.

The check code is detected when there are multiple P.C. boards of the Flow Selector unit in one system of the communication line(A/B).

Check code	Check code name	Cause
[J10]	Flow Selector unit overflow trouble	1. Float switch operates. 2. Clogging of drain pipe 3. Flow Selector unit P.C. board trouble



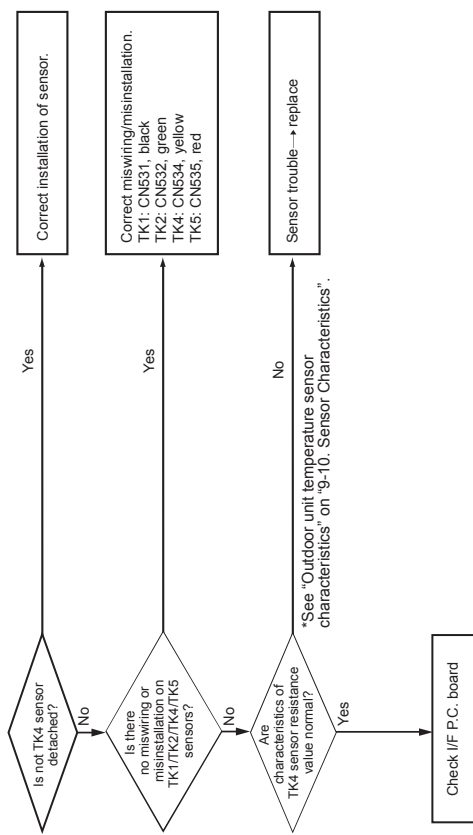
This check code means detection of Open/Short of TCS sensor. Check disconnection of circuit for connection of connector (TCS sensor: CN101, WHI) and characteristics of sensor resistance valve. (See "Indoor unit temperature sensor characteristics" on "9-10. Sensor Characteristics".) If sensor is normal, replace flow selector P.C. board.

Check code	Check code name	Cause
[J11]	Flow Selector unit Temperature sensor(TCS) trouble	TCS sensor Open/Short

This is the Open/Short detection of the TCS sensor. Check the disconnection of the connector connection (TCS sensor: CN101) circuit and the resistance value characteristics of the sensor. (Refer to the 9-10. sensor characteristics: Temperature sensor characteristics of the Flow Selector unit.) When the sensor is normal, exchange the I/F P.C. board of the outdoor.

This check code means detection of Open/Short of TCS sensor. Check disconnection of circuit for connection of connector (TCS sensor: CN101, WHI) and characteristics of sensor resistance value. (See "Indoor unit temperature sensor characteristics" on "9-10. Sensor Characteristics".) If sensor is normal, replace flow selector P.C. board.

Check code	Check code name	Cause
[H16]	TK5 temperature defective circuit trouble (Sub-code: 05)	1. Coming-off of TK5 sensor, miswiring, characteristics trouble of resistance value 2. Refrigerant stagnation in the compressor shell



Check code [L05]	Check code name Duplicated indoor units with priority (Displayed on indoor unit with priority)	Cause Two or more prior indoor units exist.
---------------------	--	--

This check code is displayed on the indoor unit set as a prior one when two or more prior indoor units are detected.  
 • Priority setup with two or more units is not available. As only one indoor unit with priority is valid, change the setup.

Check code [L06]	Check code name Duplicated indoor units with priority (Displayed on the indoor units other than ones with priority and on the outdoor unit)	Cause Two or more indoor units with priority are duplicated.
---------------------	---	---

Sub-code: amount of indoor units with priority

When priority is given to two or more indoor units, this check code is displayed on indoor units other than the units set as prior ones and the outdoor unit.  
 • As only one indoor unit with priority is valid, change the setup.

Check code [L07]	Check code name A group line exists in an individual indoor unit	Cause A group line is connected to an individual indoor unit.
---------------------	---	--

```

graph TD
    Q1{Is there group cabling?} -- No --> R1[Check indoor P.C. board. Failure -> Replace]
    Q1 -- Yes --> Q2{Check the addresses of setup item code DN 12, 13, and 14.}
    Q2 --> Q3{There is individual indoor unit?}
    Q3 -- No --> R1
    Q3 -- Yes --> R2[Correct indoor group address.]
  
```

Check code [L02]	Check code name Outdoor units model disagreed trouble	Cause When the indoor unit that does not correspond is connected with the outdoor unit
---------------------	--	---

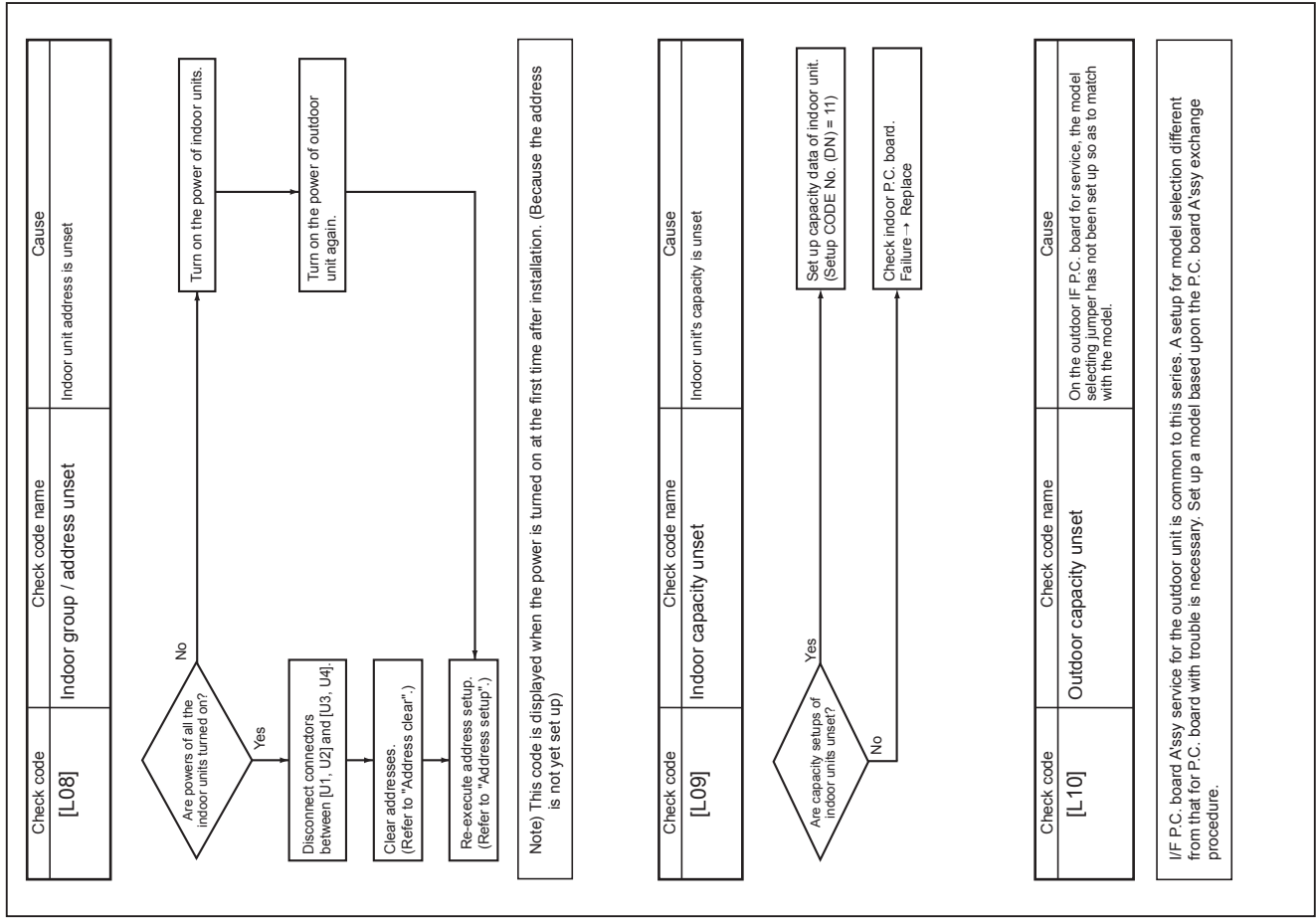
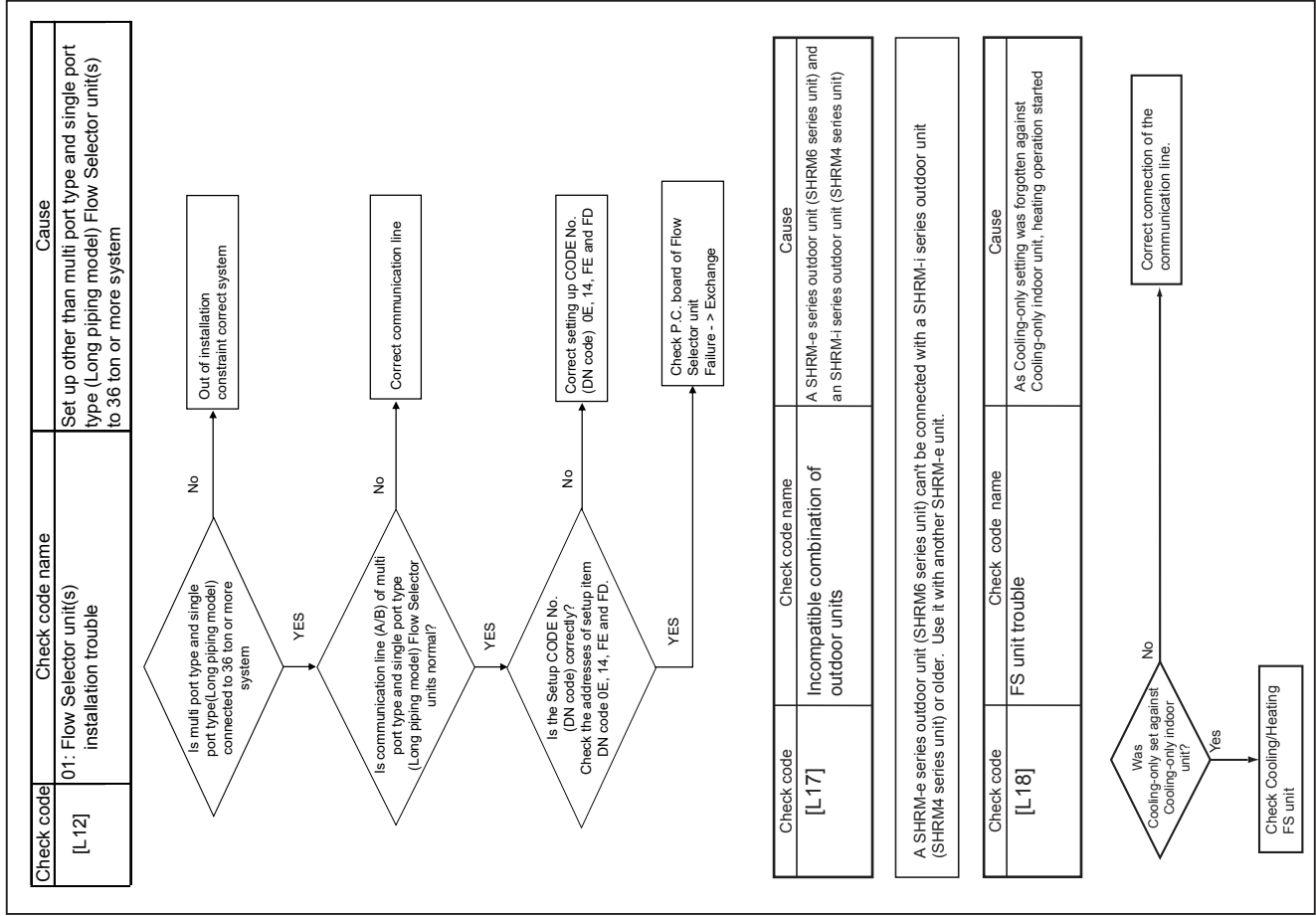
Check code [L03]	Check code name Duplicated indoor header units	Cause There are two or more indoor header units in a group during group control.
---------------------	---	---

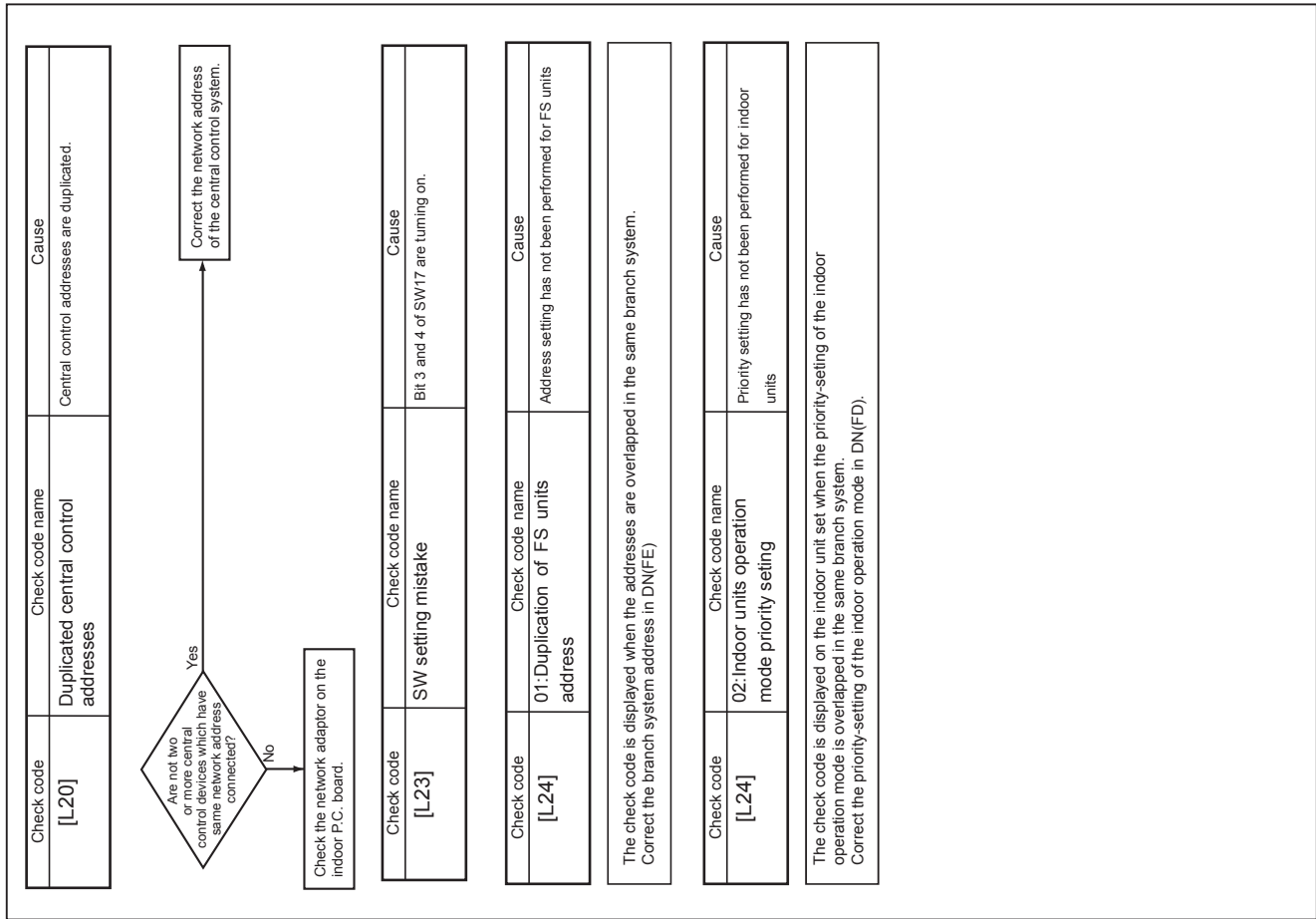
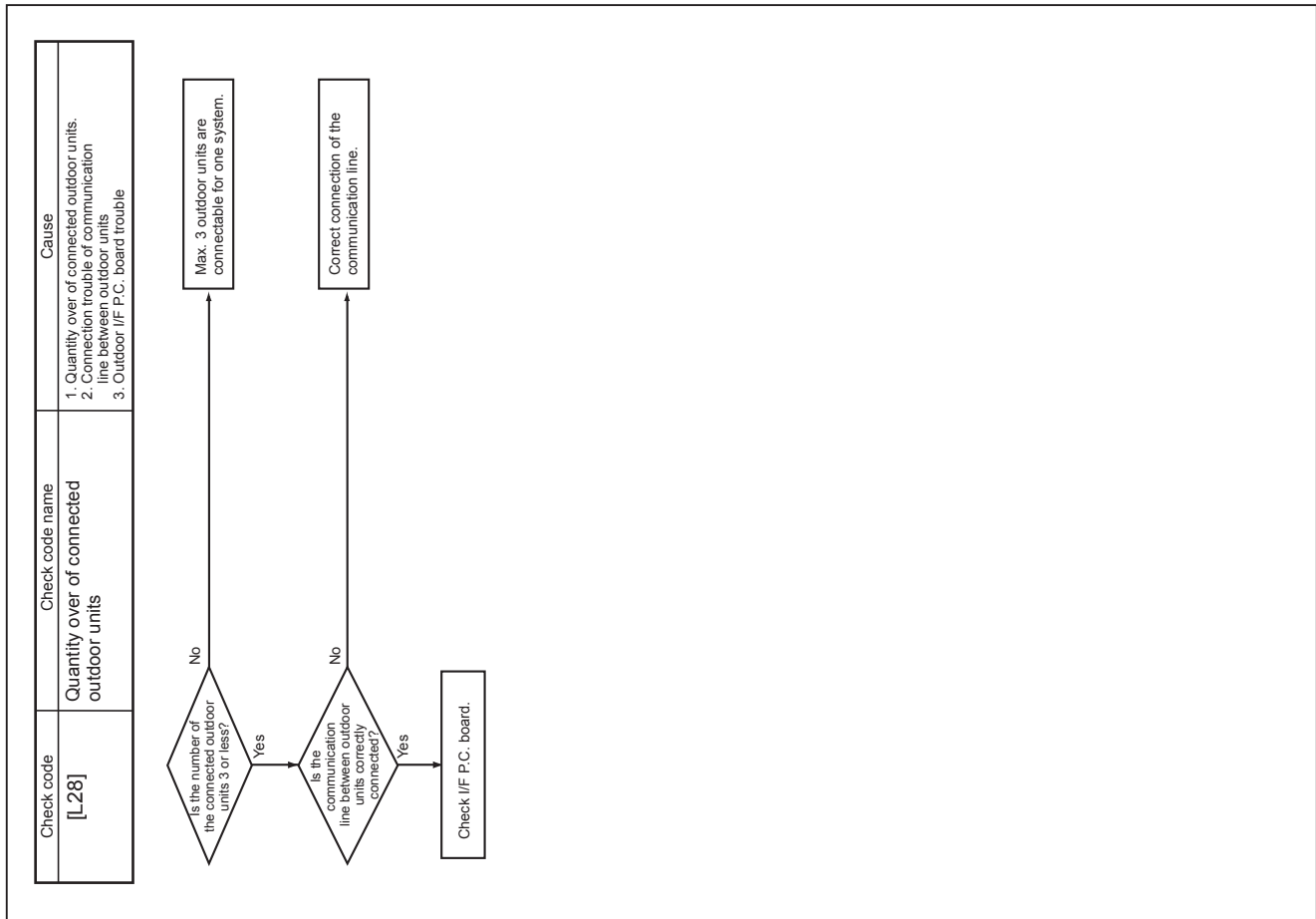
1) Check whether the connection on remote controllers (group and/or individual) has been changed since the group configuration and address checking on the remote controllers finished.  
 2) If the group configuration and address are normal when power has been turned on, the mode automatically shifts to address setup mode. For setting up addresses again, refer to "Address setup".

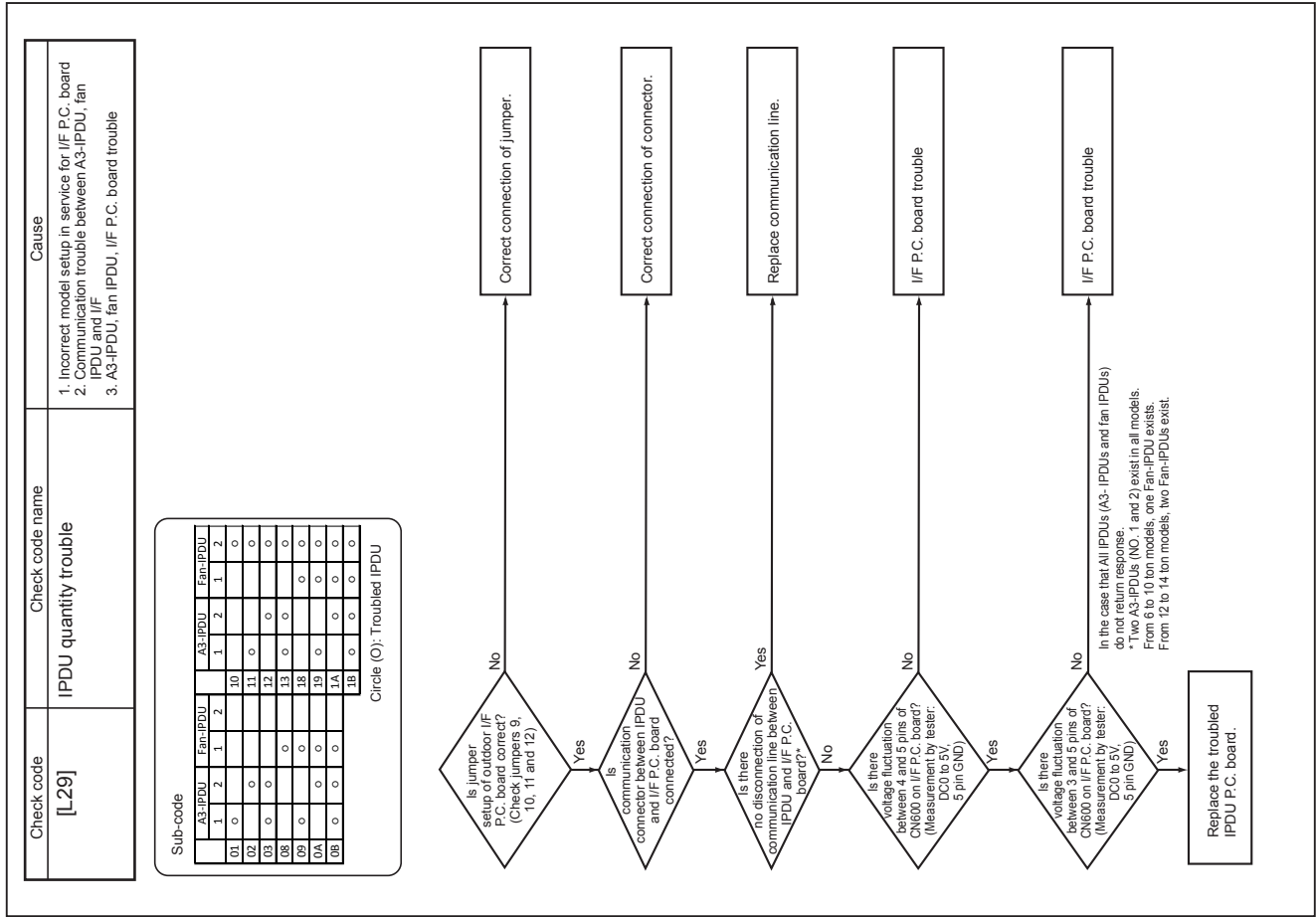
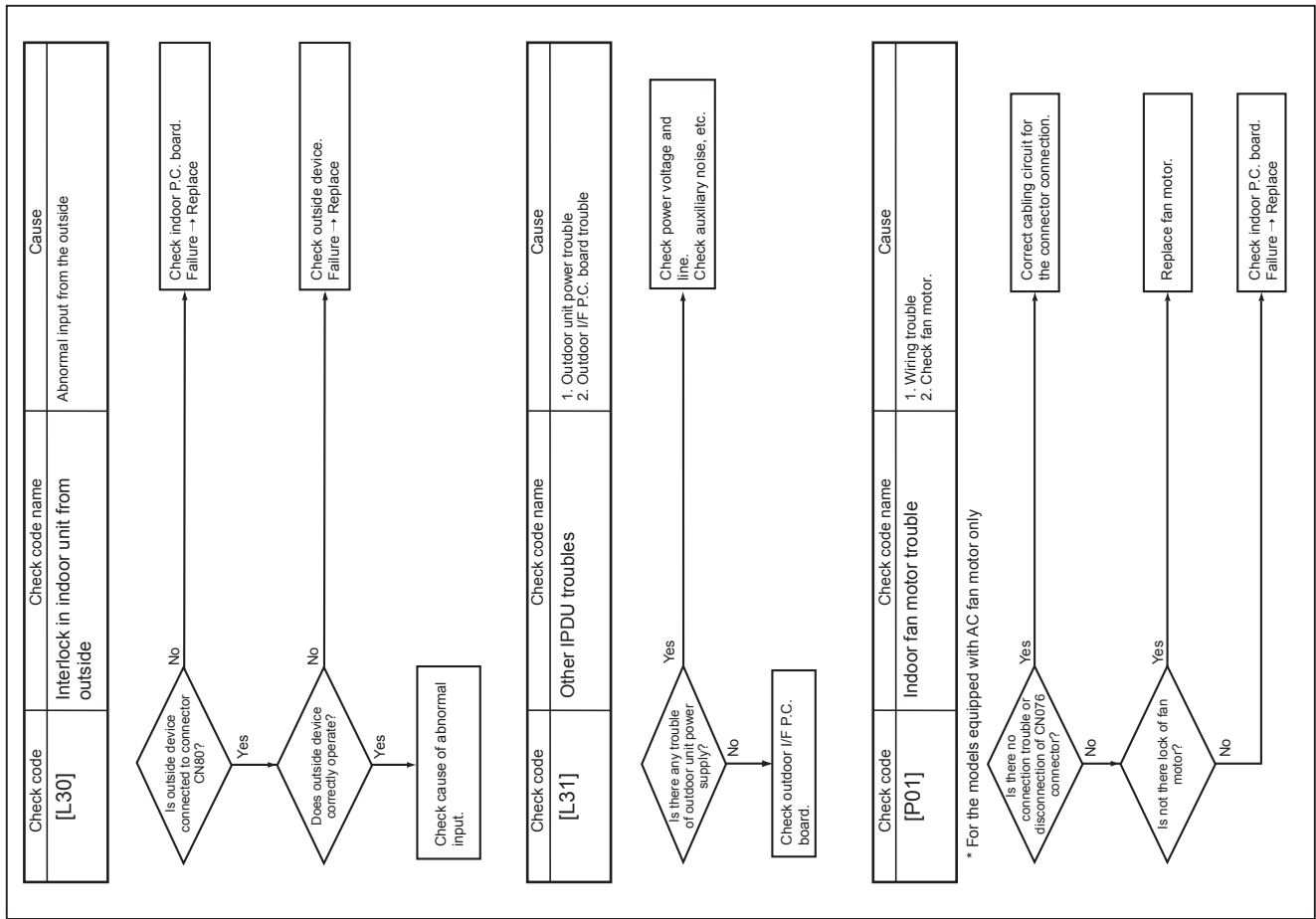
Check code [L04]	Check code name Duplicated setup of outdoor line address	Cause Outdoor line addresses are duplicated.
---------------------	---	---

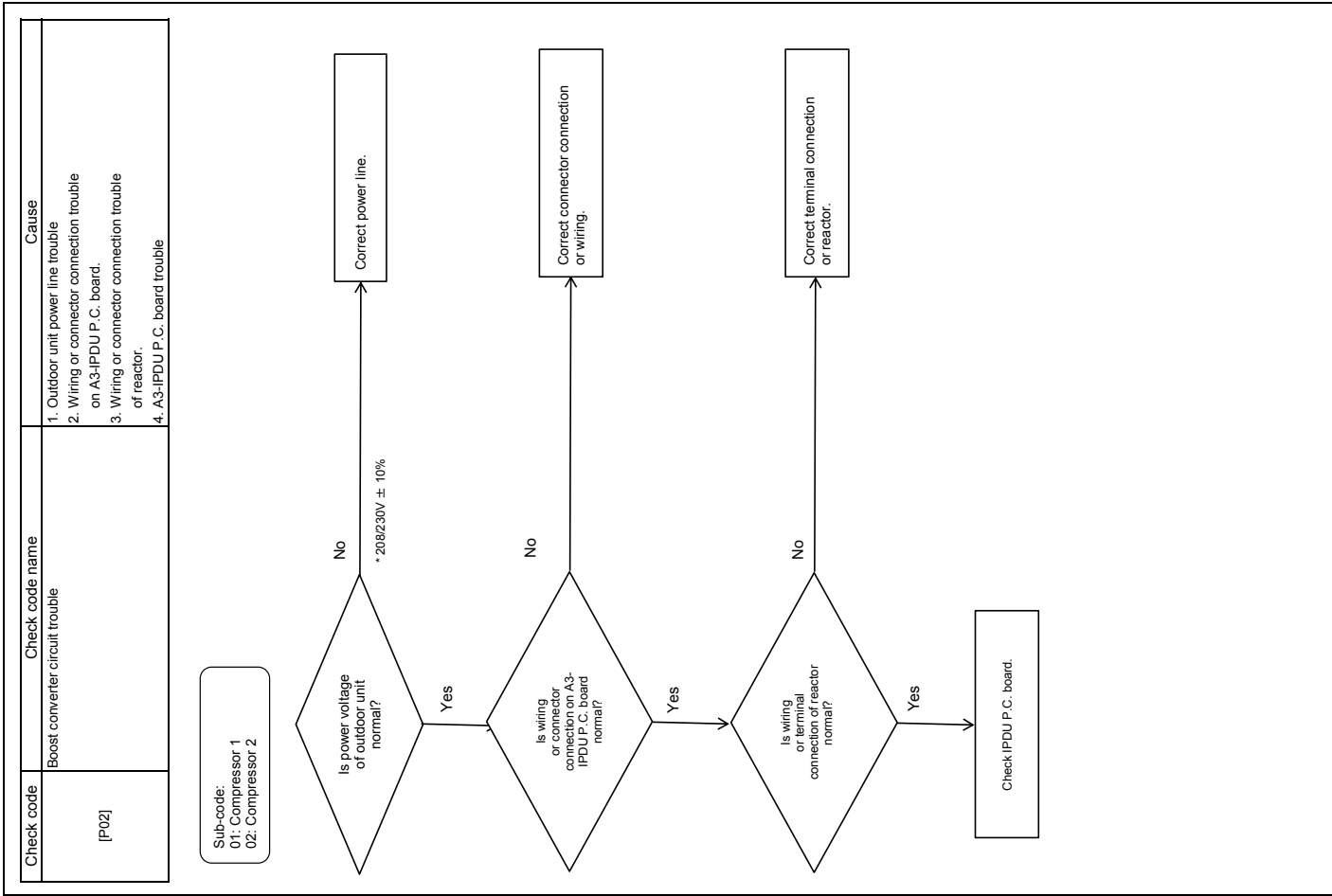
```

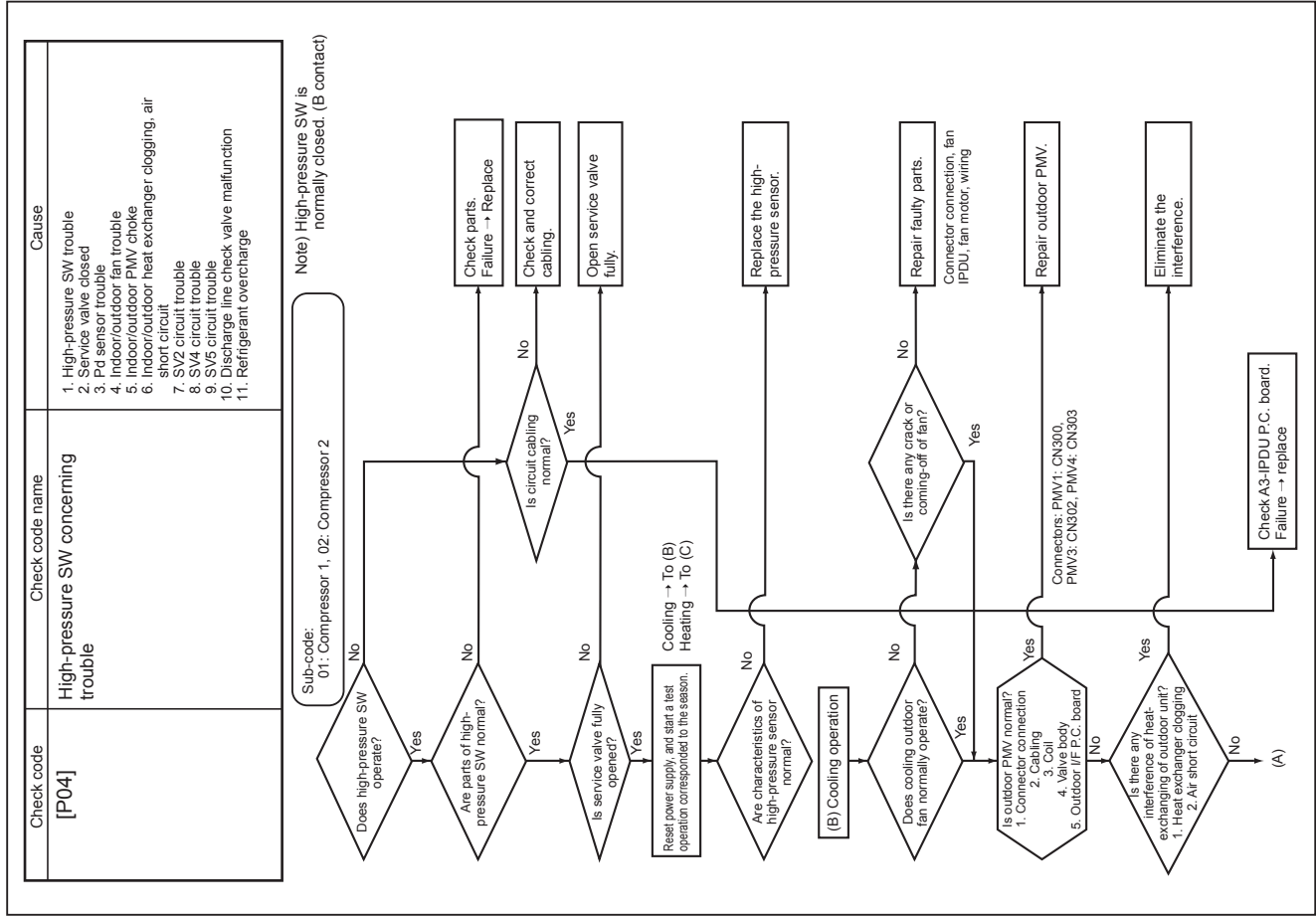
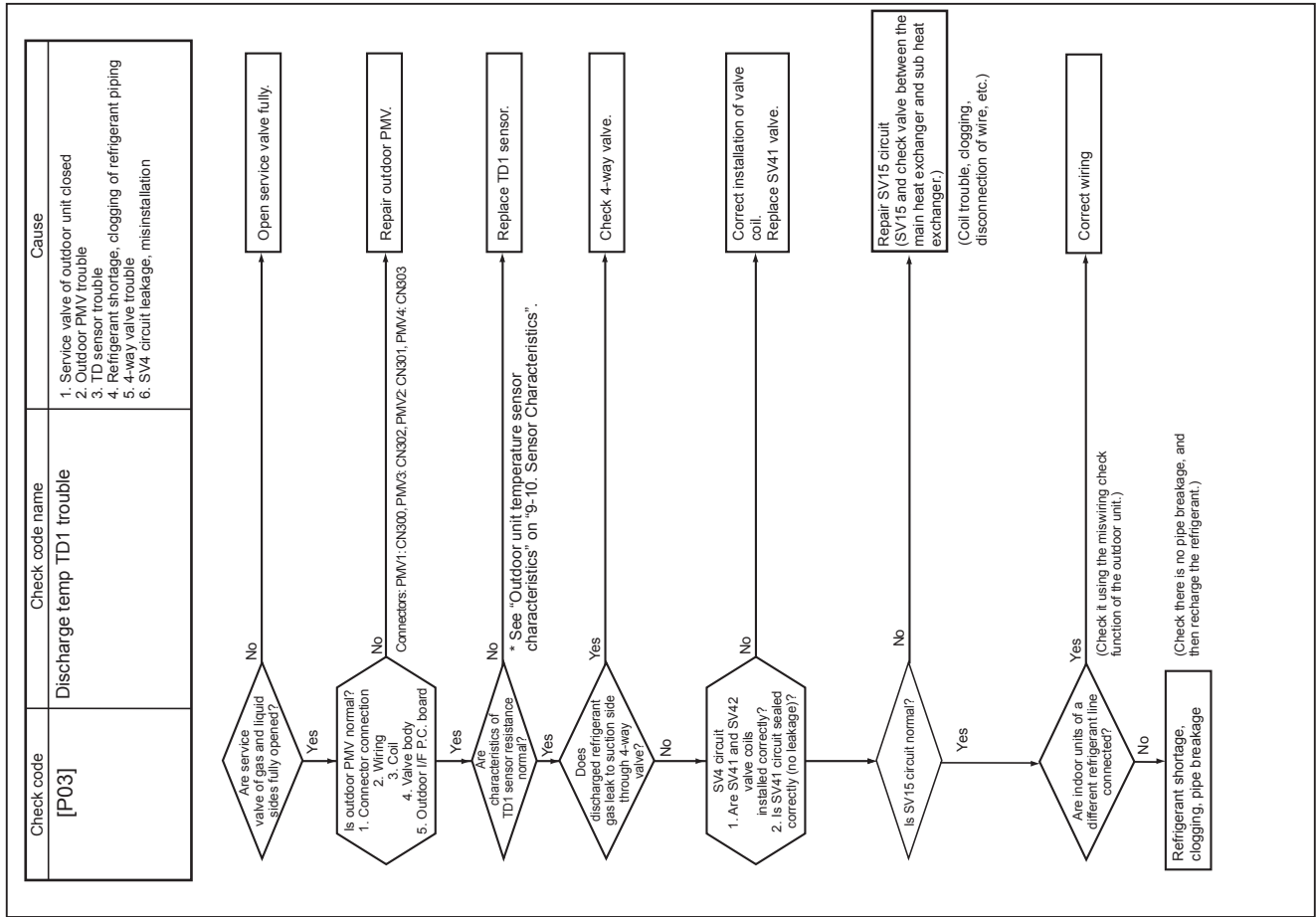
graph TD
    Q1{Is there duplicated line address setup?} -- Yes --> R1[Correct the line address setup.]
    Q1 -- No --> Q2{Are communication wire connections of [U1, U2], [U3, U4], and [U5, U6] normal?}
    Q2 -- Yes --> R2[Check outdoor I/F P.C. board. Failure -> Replace]
    Q2 -- No --> R3[Correct the wire connection.]
    R3 --> R4[Re-set up the address. Refer to 'Address setup'.]
  
```



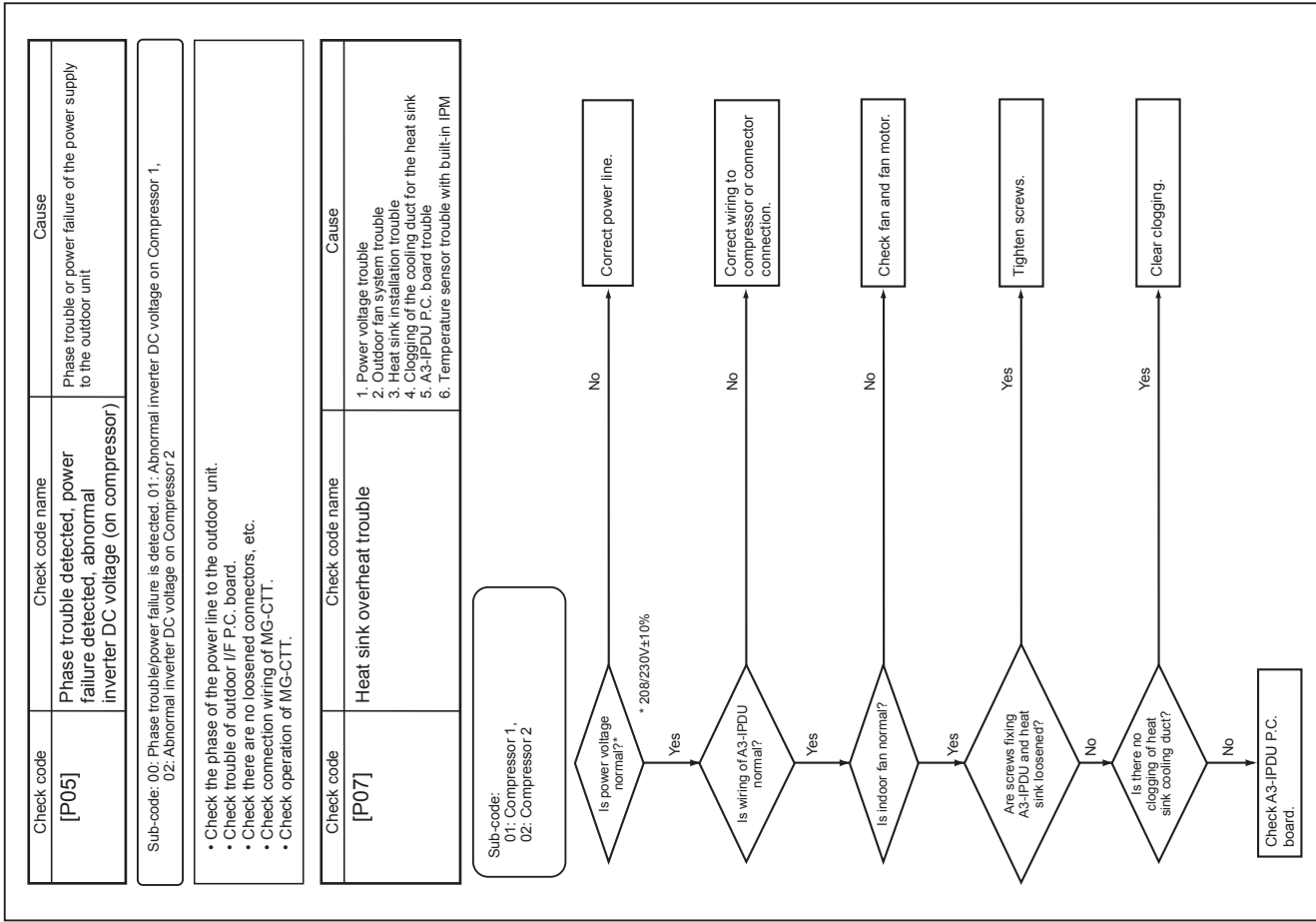
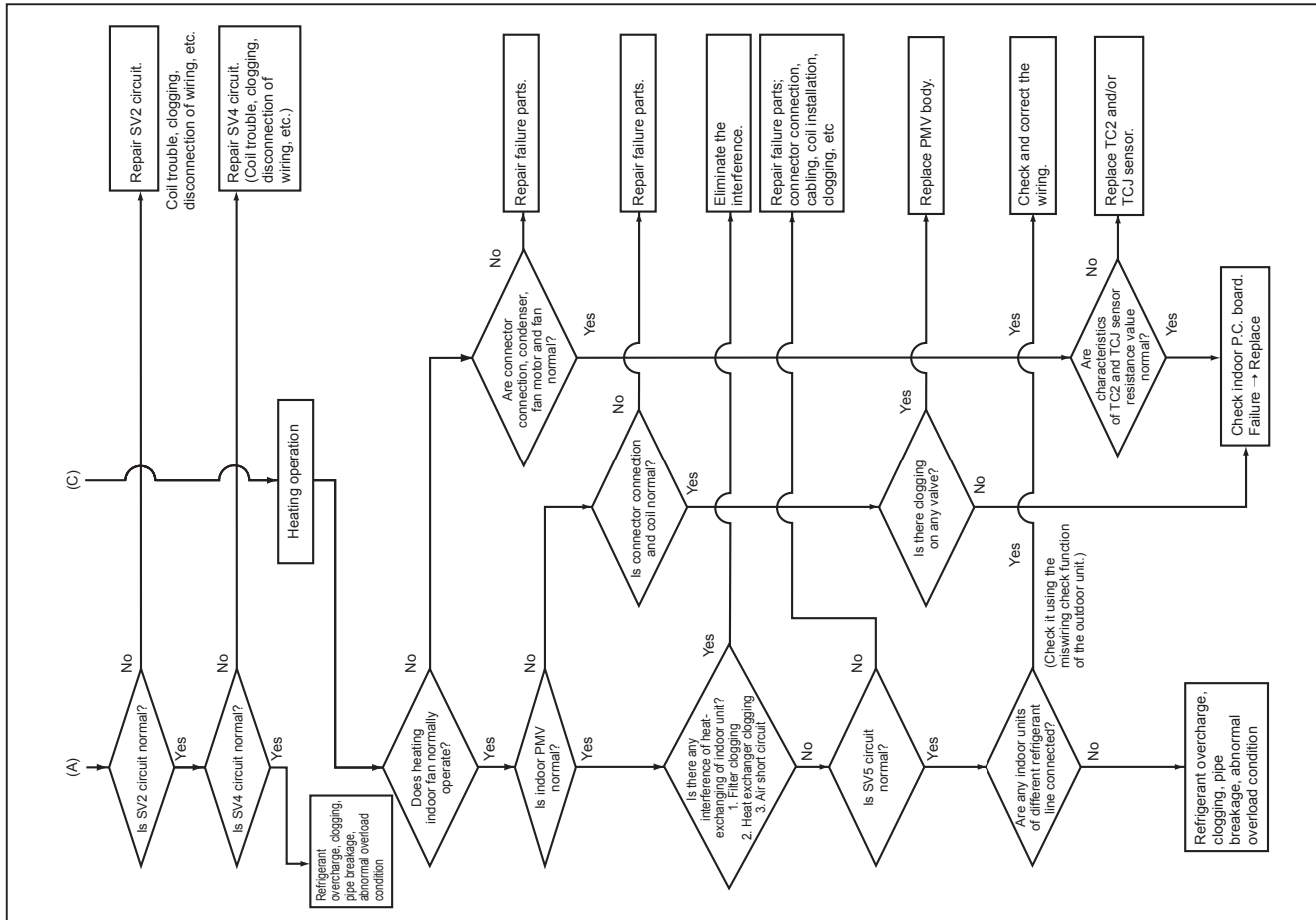


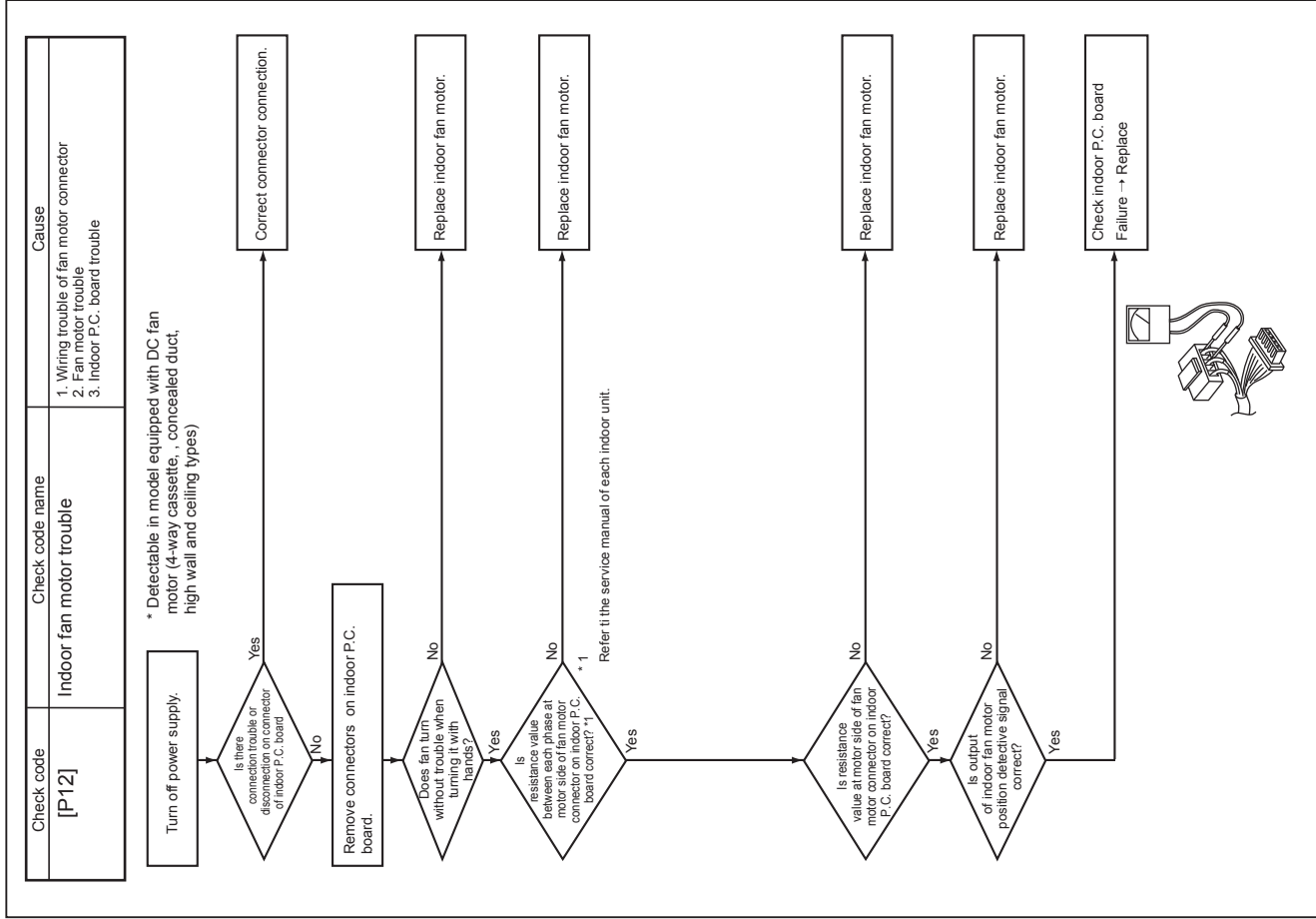
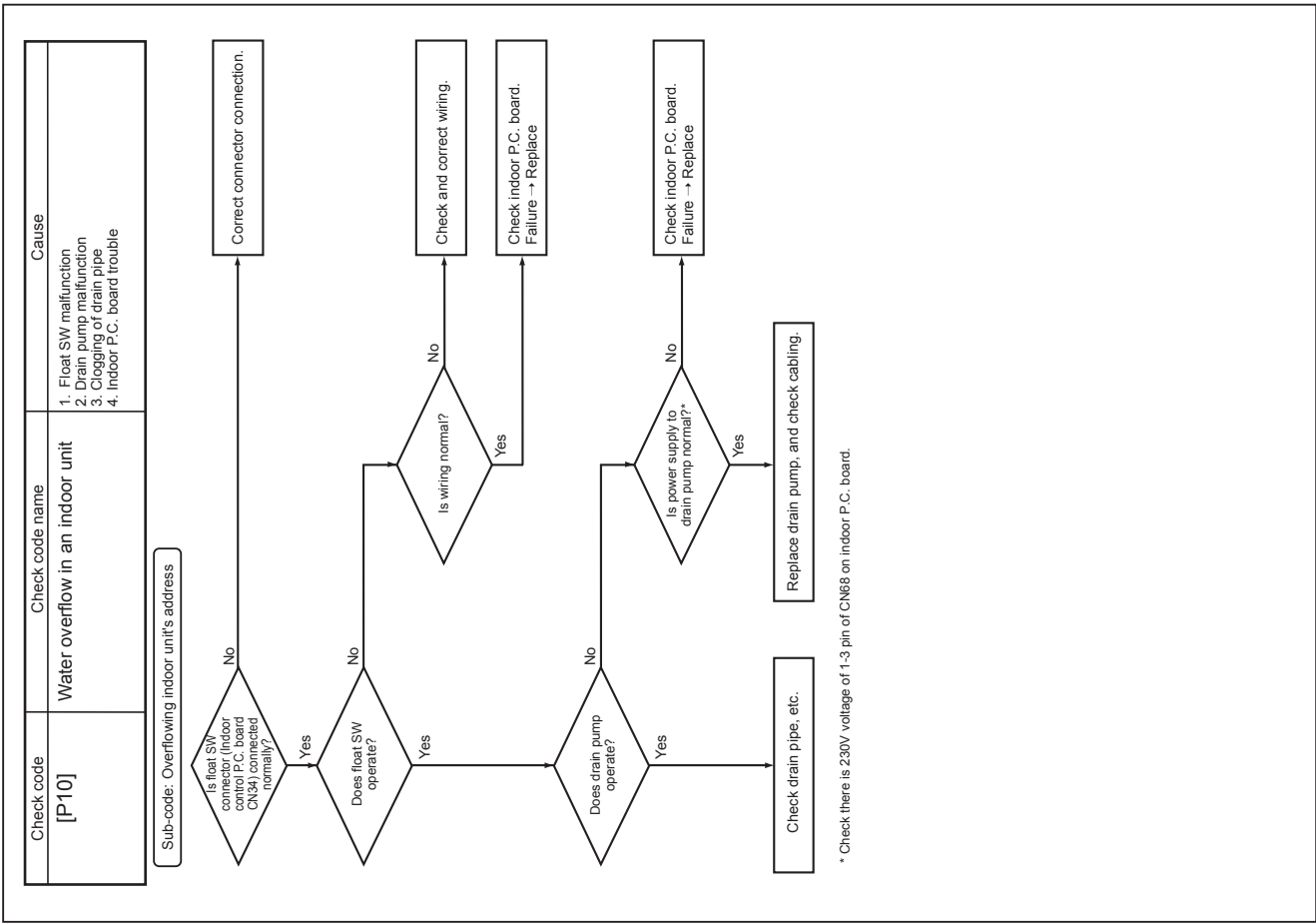


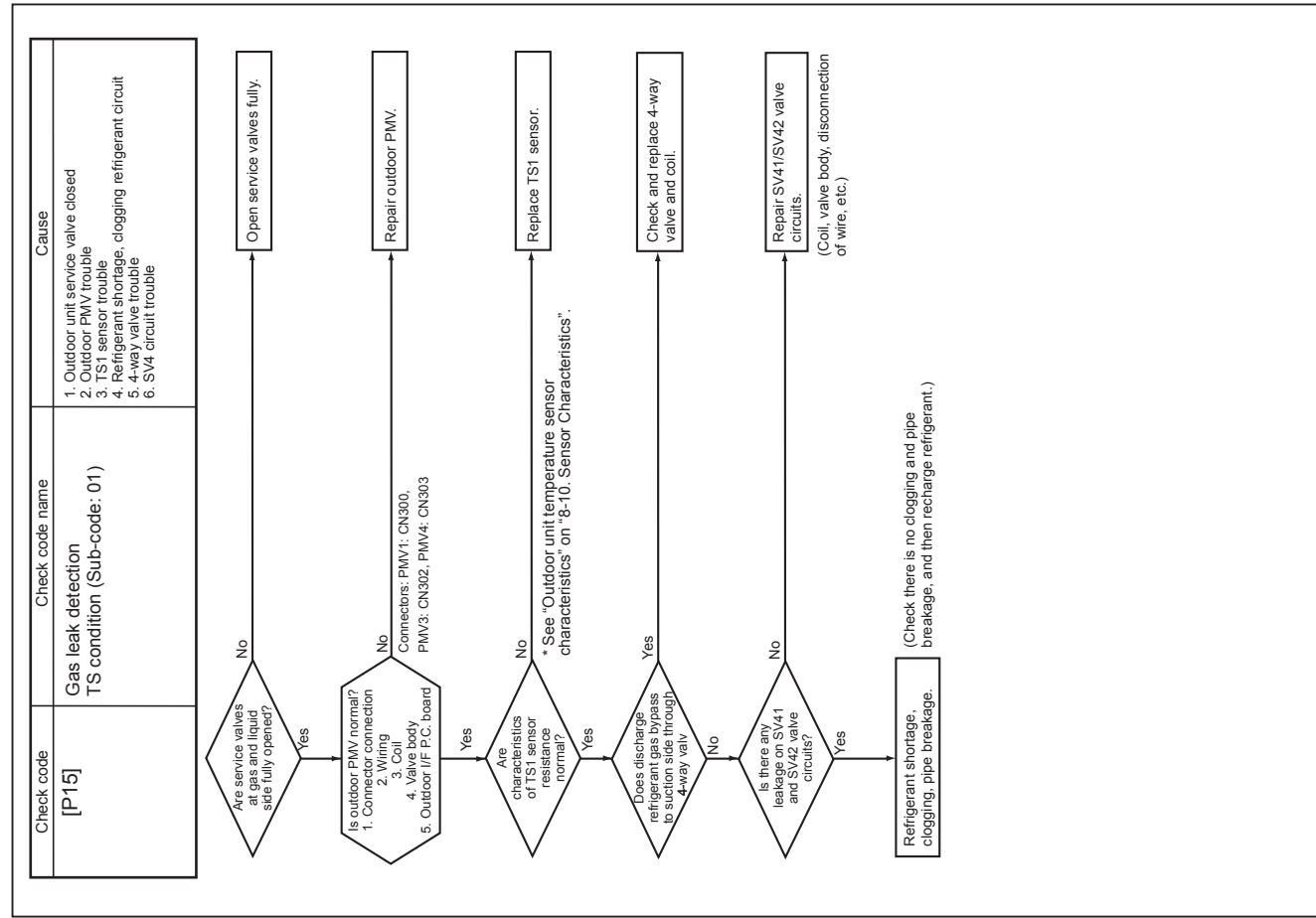
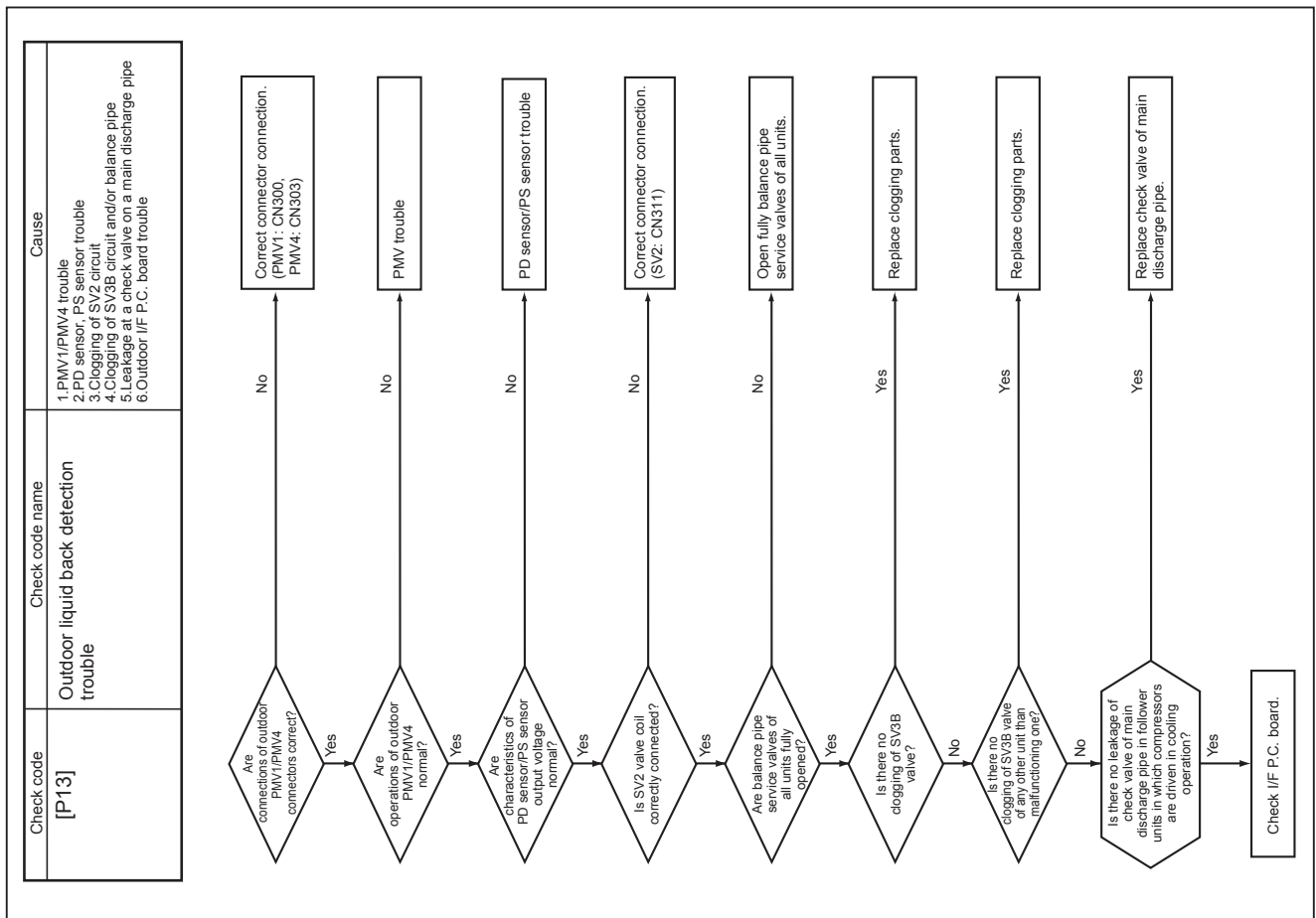


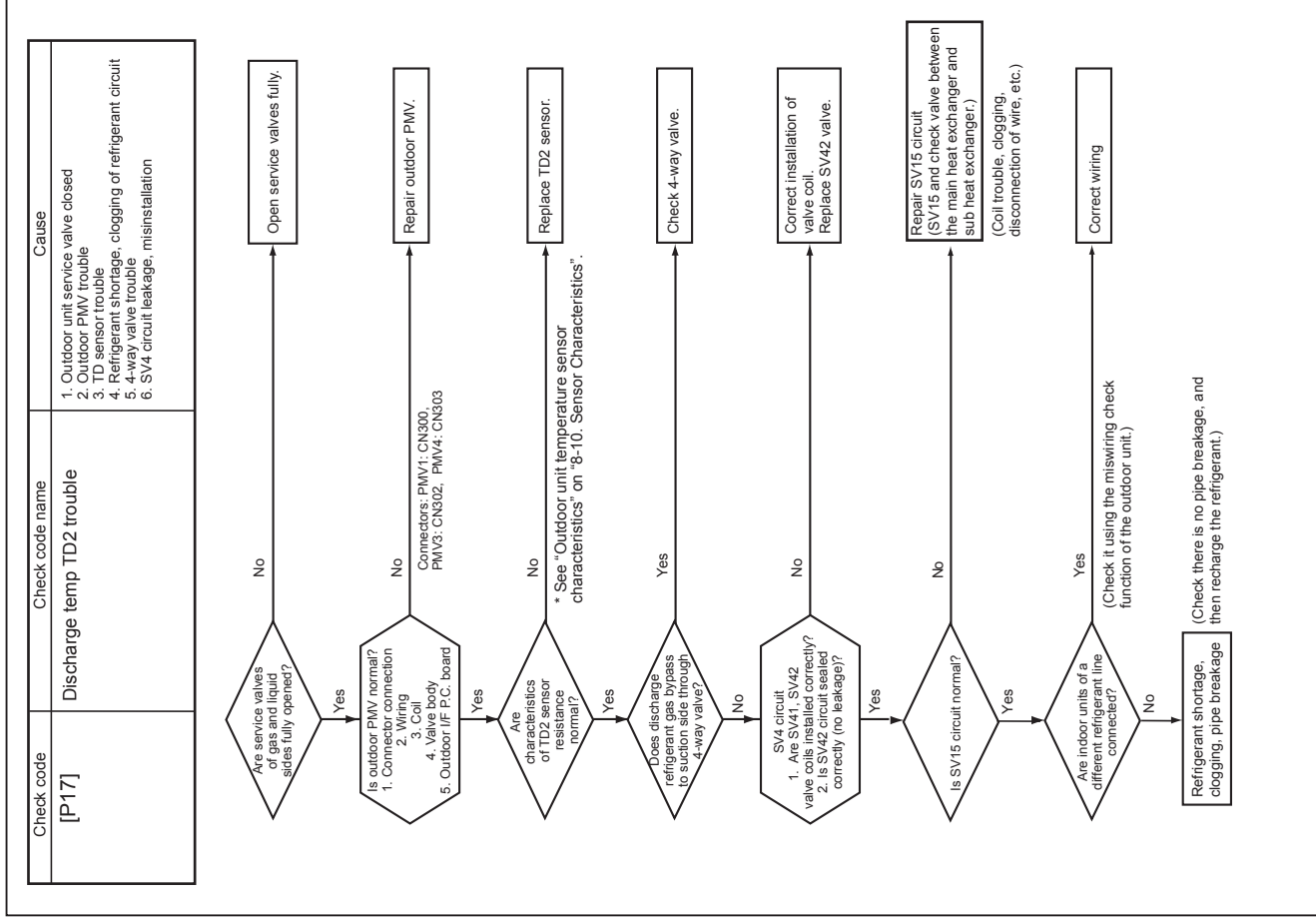
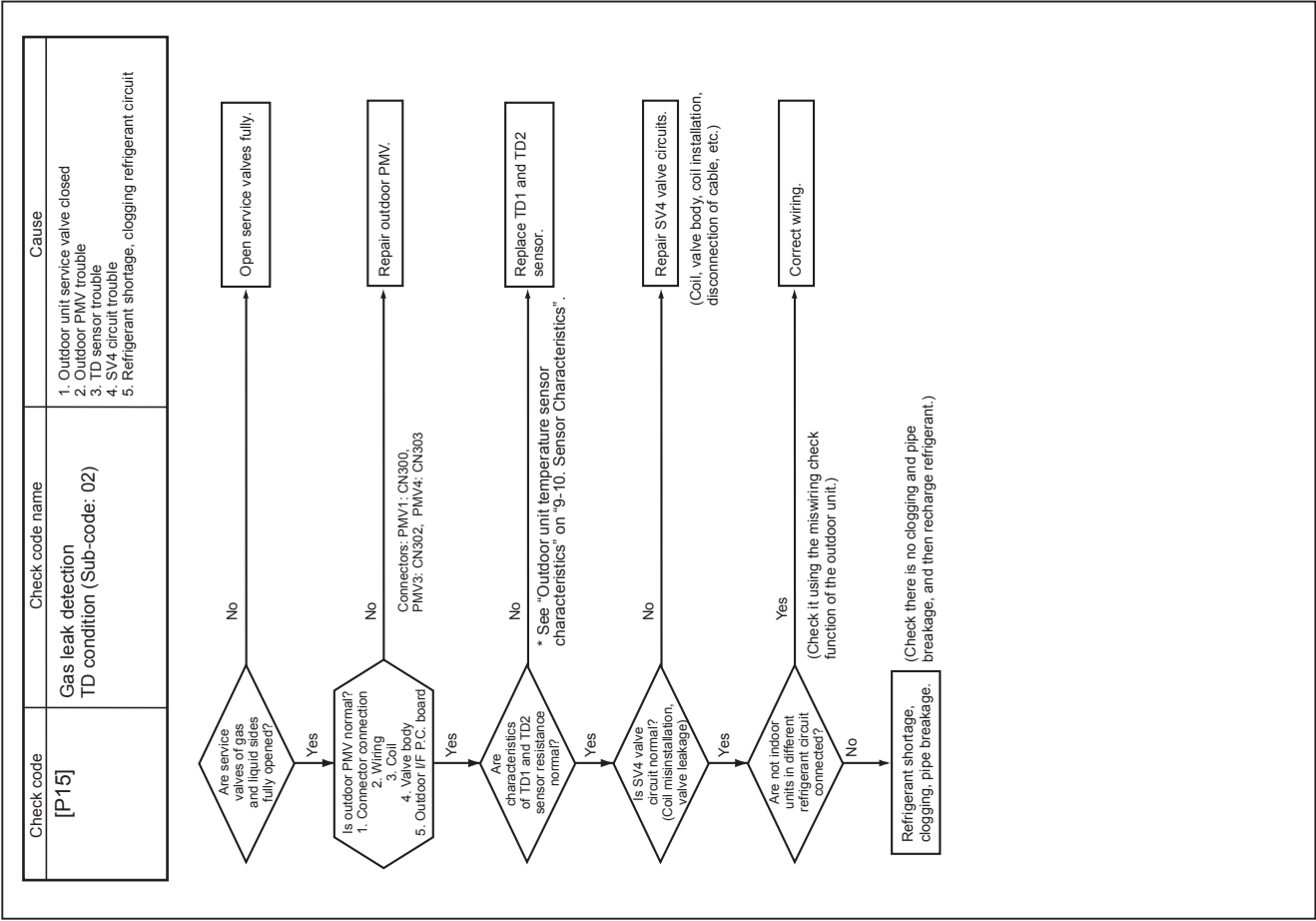


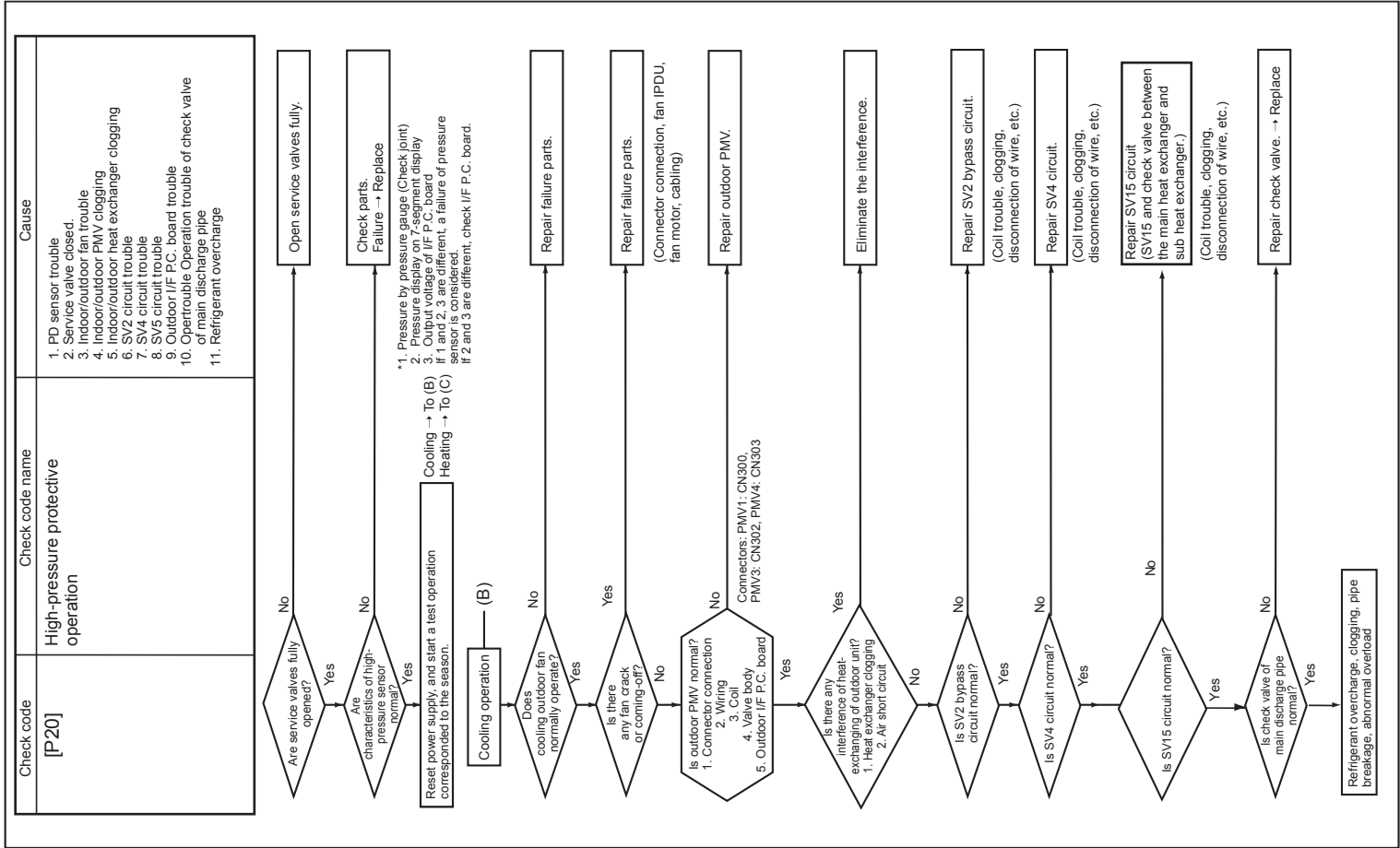
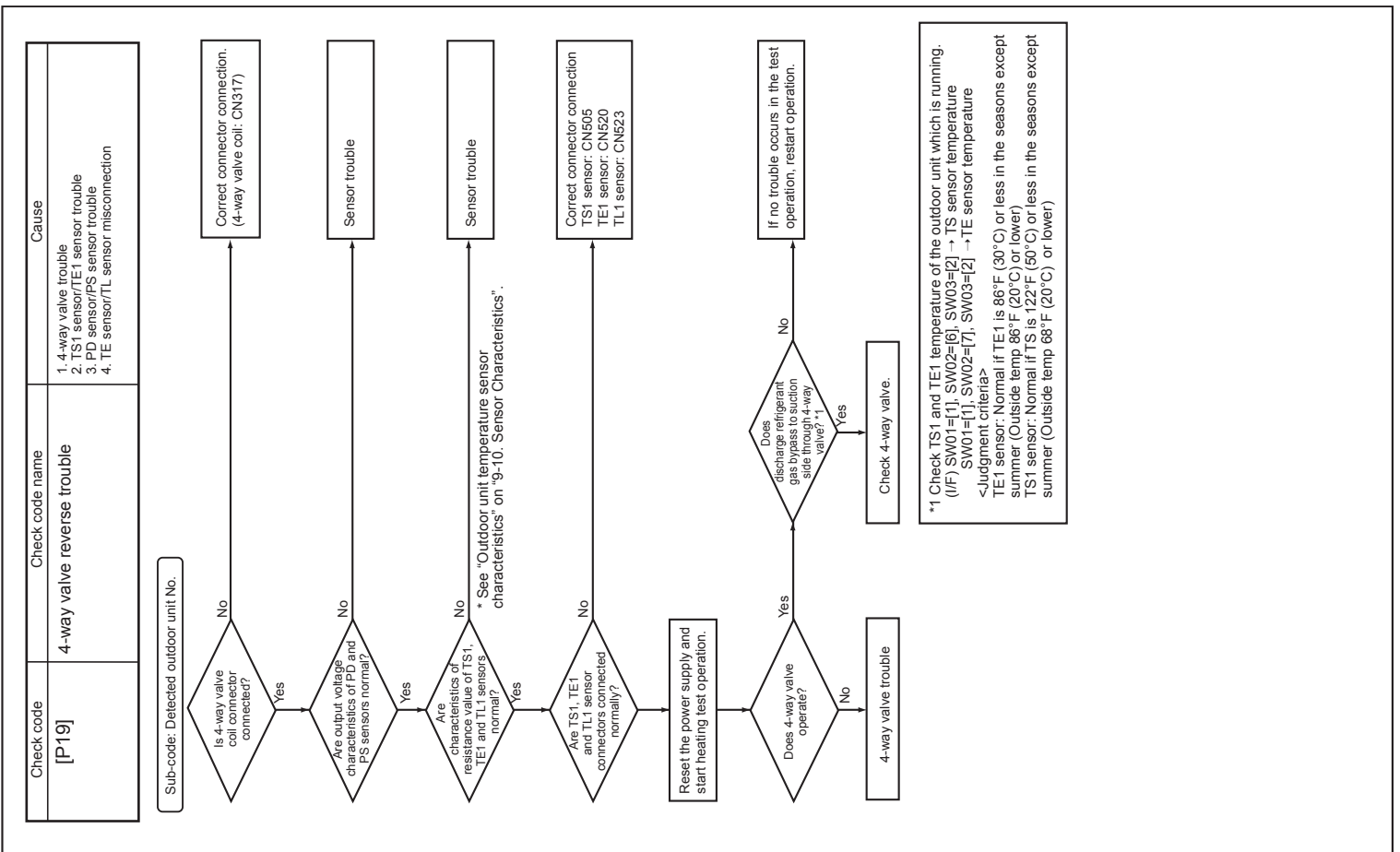


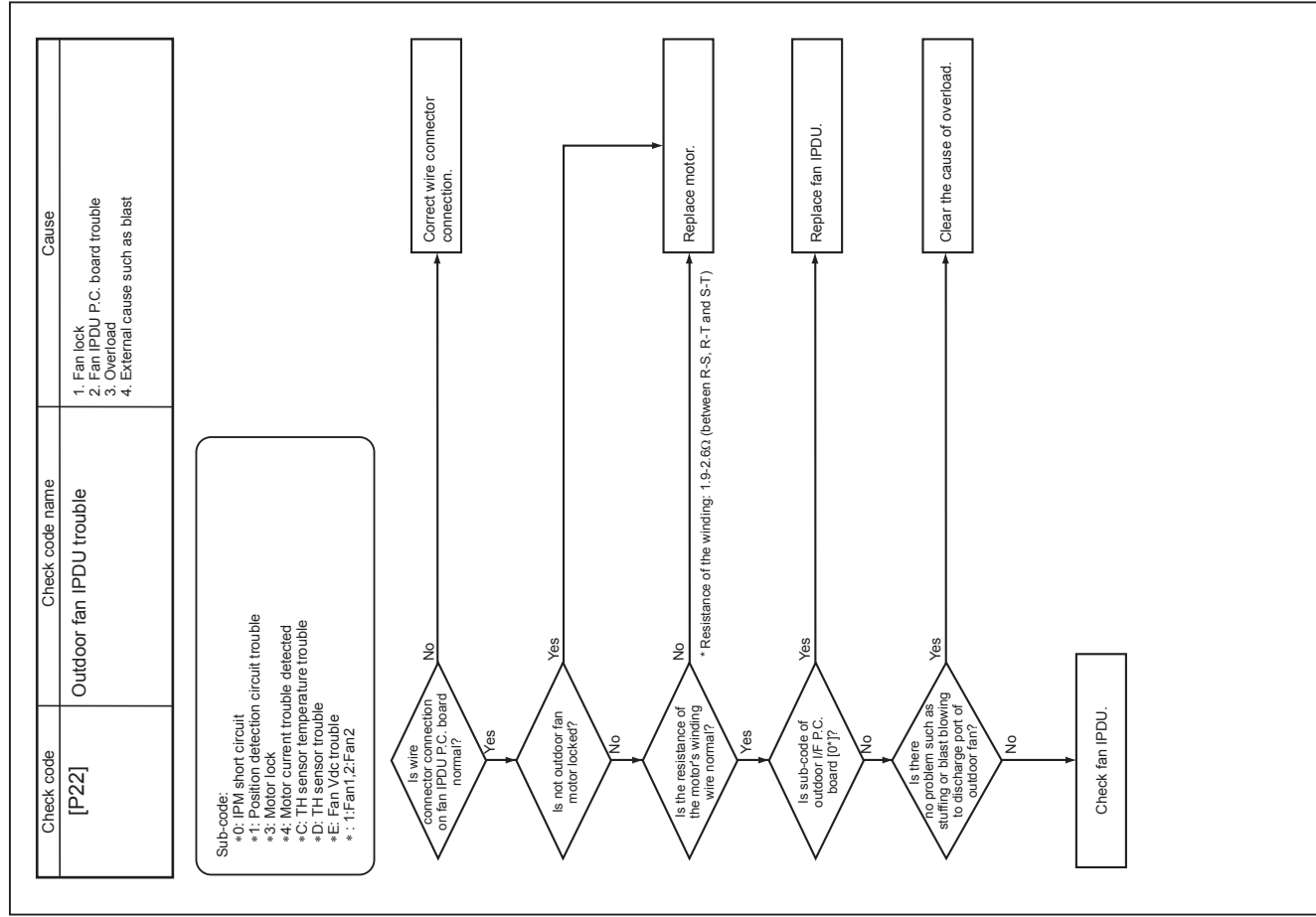
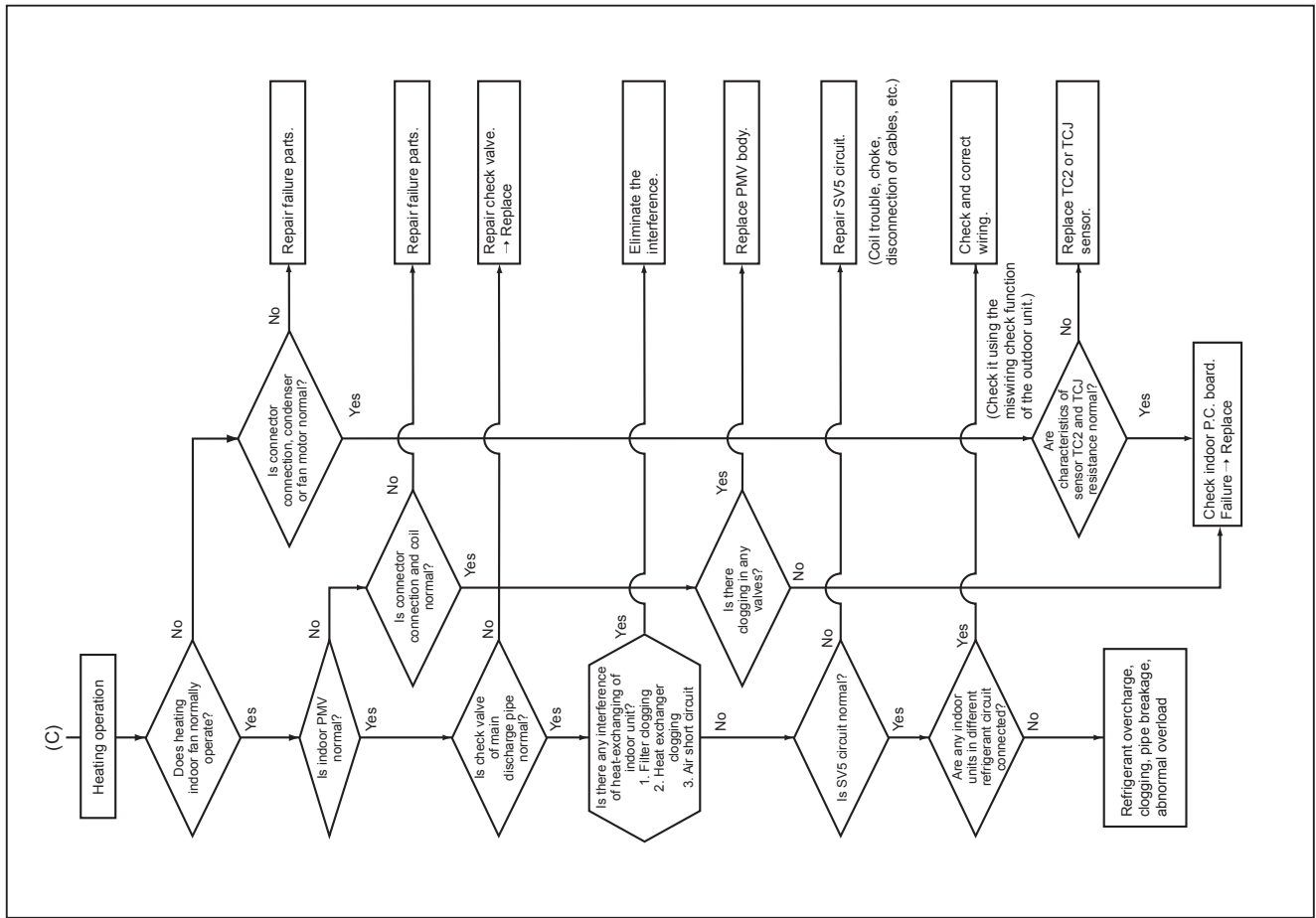


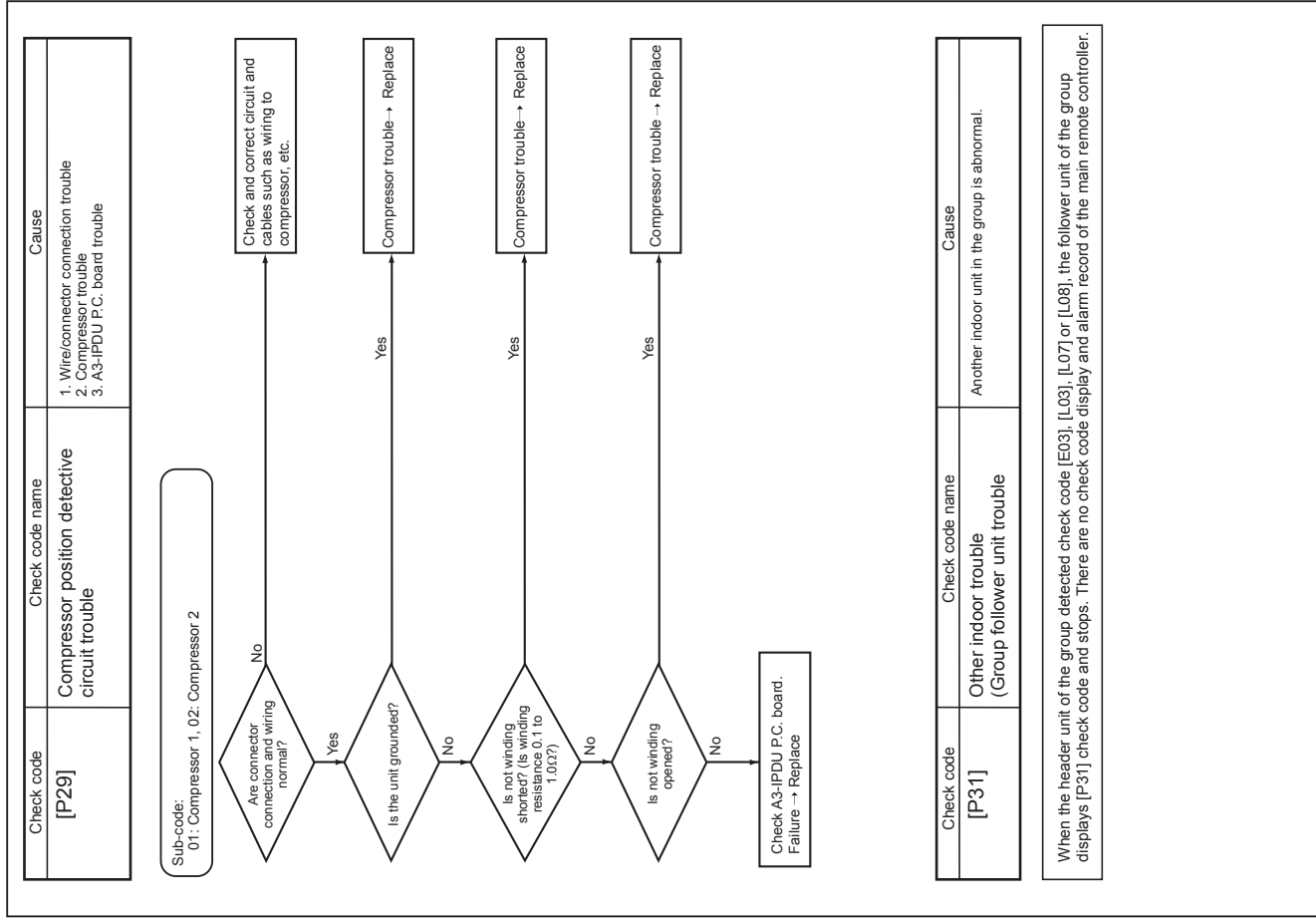
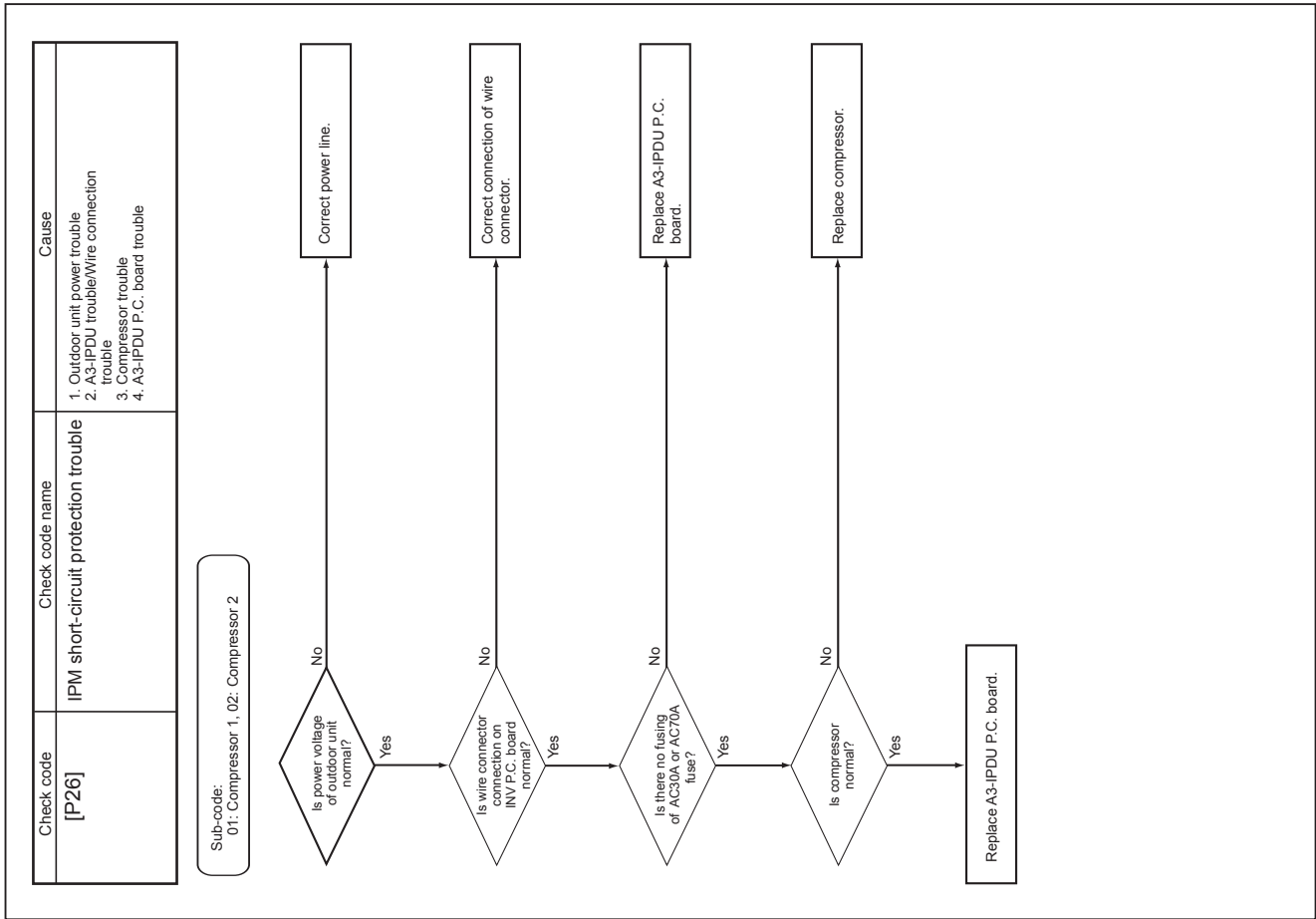








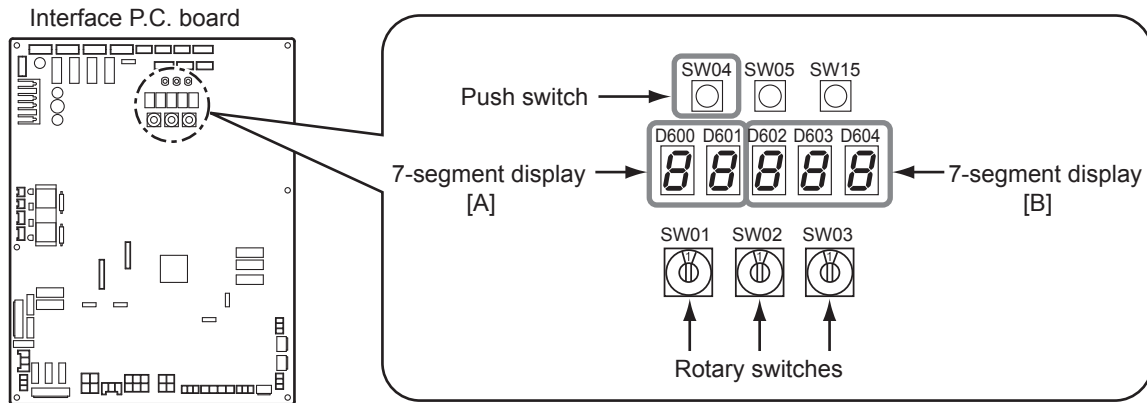




## 9-6. 7-Segment Display Function

### 7-segment display on outdoor unit (interface P.C. board)

The interface control P.C. board features a 7-segment LED display designed to check operational status. Display items can be changed by changing the combination of the number settings of rotary switches provided on the P.C. board (SW01, SW02 and SW03).



### Checking Procedure to Be Followed in Event of Abnormal Shutdown

If the system is shut down due to a trouble in the outdoor unit, perform checks in the following steps:

**1 Open the panel of the outdoor unit and inspection window of the electric parts box, and check the 7-segment display.**

The check code is displayed in the right-hand section of the 7-segment display [B].

[U1] [000] ([000]: Check code)

\* To check the check code, set the rotary switches SW01/SW02/SW03 to [1/1/1].

If there is a sub-code, the display alternates between the check code [000] (3 seconds) and the sub-code [000] (1 second).

**2 Check the check code and follow the applicable diagnostic procedure.**

**3 If the 7-segment display shows [U1] [E28], there is a trouble in a follower unit.**

Press the push-switch SW04 on the header unit and hold for several seconds.

As the fan of the outdoor unit in which the trouble has occurred comes on, open the panel of the unit, and check the check code shown on the 7-segment display.

**4 Perform checks in accordance with the diagnostic procedure applicable to the check code.**



**(1) Display of System Information (Displayed on Header Outdoor Unit Only)**

SW01	SW02	SW03	Display detail			
1	1	3	-		-	
	2		System capacity	A	[... ..6.0t] ~ [...38.0t] : 6 to 38ton	
				B		
	3		No. of outdoor units	A	[...1]~[...3]:1 to 3	
				B	[...P]	
	4		No. of indoor units connected / No. of units with cooling thermostat ON	A	[...0.]~[64.]:0 to 64 (No. of units connected)	
				B	[C...0]~[C64]:0 to 64 (No. of units with cooling thermostat ON)	
	5		No. of indoor units connected / No. of units with heating thermostat ON	A	[...0.]~[64.]:0 to 64 (No. of units connected)	
				B	[H...0]~[H64]:0 to 64 (No. of units with heating thermostat ON)	
	6		Amount of compressor command correction	A	Value displayed in hexadecimal format	
				B		
	7		Release control	A	Normal: [r. ...], During release control: [r.1]	
				B	-	
	8		Oil equalization control	Normal: [oiL-0]		
				During oil equalization control: [oiL-1]		
	9		Oil equalization request	A	Displayed through LED segment lighting pattern	
		B	<p>If element F shown on sketch at left turned on: Header unit oil equalization request If element C shown on sketch at left turned on: Follower unit oil equalization request</p> <p>Outdoor unit No.</p>			
10	Refrigerant/oil recovery operation	A	Oil recovery in cooling: [C1], Normal: [C ...]			
		B	Refrigerant recovery in heating: [H1], Normal: [H ...]			
11	Automatic addressing	A	[Ad]			
		B	During automatic addressing: [... FF], Normal: [... ..]			
12	Power peak-cut	A	[dU]			
		B	Normal: [... ..], During 50-90% capacity operation: [_50-_90] While control is based on BUS line input: [E50-E90]			
13	Optional control (P.C. board input)	Displays optional control status		A	B	
		Operation mode selection: During priority heating (normal)		h.*.	*.*.*	
		Priority cooling		c.*.	*.*.*	
		Heating only		H.*.	*.*.*	
		Cooling only		C.*.	*.*.*	
		Priority given to No. of indoor units in operation		n.*.	*.*.*	
		Priority given to specific indoor unit		U.*.	*.*.*	
		External master ON/OFF: Normal		*....	*.*.*	
		Start input		*.1.	*.*.*	
		Stop input		*.0.	*.*.*	
		Night operation: Normal		*.*.	...*.*	
		Start input		*.*.	1.*.*	
		Snowfall operation: Normal		*.*.	*....*	
		Start input		*.*.	*.1.*	
14	Optional control (BUS line input)	Same as above				
15	-	-				
16	-	-				

**(2)Display of Outdoor Unit Information (Displayed on Each Outdoor Unit)**

SW01	SW02	SW03	Display detail			
1	1		Check code data	A	Outdoor unit No.: [U1] to [U3]	
			B	Check code (only latest one displayed) If there is no check code, [— —] is displayed. If there is sub-code, check code [ * * * ] and sub-code [— * *] are displayed alternately, for 3 seconds and 1 second, respectively.		
				<SW04> push SW function: Fan operation at outdoor unit with trouble. 7-segment display section A: [E.1] <SW04 + SW05> push SW function: Fan operation at outdoor unit without trouble. 7-segment display section A: [E.0] <SW05> push SW function: Fan operation function check mode is cancelled.		
	2			A	—	
				B	—	
	3			A	Stop [ . . . . . ] Normal cooling: [ . . . C ], Normal heating: [ . . . H ], Normal defrosting: [ . . . J ]	
				B	—	
	4			A	6ton : [ . . . . . 6.0t. ], 8ton : [ . . . . . 8.0t. ], 10ton : [ . . . 10.0 t. ], 12ton : [ . . . 12.0t. ], 14ton : [ . . . 14.0t. ]	
				B	[ . . .ton ]	
	5			Compressor operation command * Operation data of each compressor is displayed in turn in 2 second intervals.		
				Normal: Compressor speed (rps) is displayed in decimal format. 7-segment display (A/B): [C1. . . . . ] ⇒ [ . . . * * * , * ] ⇒ [C2. . . . . ] ⇒ [ . . . * * * , * ]		
				<SW04> push SW function: Switches to display of operating current (decimal value). 7-segment display (A/B): [i1.* * *] ⇒ [i2.* * *] Pressing of <SW05> restores normal display.		
	6			A	[FP]	
				B	Mode 0 to 63: [ . . . 0 ] to [63]	
	7			A	[C.b.]	
				B	Displays compressor backup setting status Normal: [ . . . . . ] Compressor No. 1 backup: [1 . . . . . ] Compressor No. 2 backup: [ . . . 1 . . . ]	
8		1	A	—		
			B	—		
9			Control valve output data			
			Displays control output status of solenoid valve			
			A	4-way valve: ON		
			B	4-way valve: OFF		
10			A	SV2: ON / SV5: OFF / SV52: ON / SV6: OFF		
			B	SV2: OFF / SV5: ON / SV52: OFF / SV6: OFF		
11			A	SV2: OFF / SV5: OFF / SV52: OFF / SV6: ON		
			B	SV3A: ON / SV3B: OFF / SV3C: OFF / SV3D: OFF		
12			A	SV3A: OFF / SV3B: ON / SV3C: OFF / SV3D: OFF		
			B	SV3A: OFF / SV3B: OFF / SV3C: ON / SV3D: OFF		
13			A	SV3A: OFF / SV3B: OFF / SV3C: OFF / SV3D: ON		
			B	SV41: ON / SV42: OFF		
14			A	SV41: OFF / SV42: ON		
			B	SV41: OFF / SV42: OFF		
15			A	SV11A,B: ON / SV12: ON / SV14: ON / SV15: OFF		
			B	SV11A,B: OFF / SV12: OFF / SV14: OFF / SV15: ON		
16			PMV1	* * * .P		
			PMV3	* * * .P		
17			PMV4 opening			
			Displays opening data in decimal format			
18			Oil level judgment			
			Normal			
			A	[ o L. ]		
			B	Initial display: [ . . . . . ], Oil level judgment result: [ L . . . . . ] Displayed letters #, * and \$ represent judgment results for compressor Nos. 1 and 2, respectively ("0" for normal and "1" or "2" for low level).		
			<SW04> push SW function: Displays low level confirmed judgment result of each compressor. * Pressing of <SW05> restores normal display.			
			A	[L d.]		
			B	Compressor No.1 low level being confirmed: [L . . . . . ] Compressor No.2 low level being confirmed: [ . . . L . . . ]		
			<SW15> push SW function: Switch to the data display of insufficient confirmation integration timer for 2 minutes			
			A	[t . . . ]		
			B	Insufficient confirmation integration timer : [1 2 0] (Ex: for 120 minutes)		

**(3) Display of Outdoor Cycle Data (Displayed at Each Outdoor Unit)**

SW01	SW02	SW03	Display detail				
1	1	2	PD pressure data	PD pressure (psi) is displayed in decimal format.	A	B	
			P d.	*. * *			
			PS pressure data	PS pressure (psi) is displayed in decimal format.	P s.	*. * *	
	3		PL pressure conversion data	Converted PL pressure (psi) is displayed in decimal format.	P L.	*. * *	
	4		TD1 sensor data	Temperature sensor reading (°F) is displayed in decimal format. • Letter symbol and data are displayed alternately, for 1 second and display for 3 seconds, respectively. • Data with negative value is displayed as [- *] [ * * *].	Letter symbol	t d	1 ... ..
			Data		*	* * *	
	5		TD2 sensor data		Letter symbol	t d	2 ... ..
			Data		*	* * *	
	7		TS1 sensor data		Letter symbol	t S	1 ... ..
			Data		*	* * *	
	8		TS2 sensor data		Letter symbol	t S	2 ... ..
			Data		*	* * *	
9	TE1 sensor data	Letter symbol	t E		1 ... ..		
	Data	*	* * *				
10	TE2 sensor data	Letter symbol	t E		2 ... ..		
	Data	*	* * *				
11	TL sensor data	Letter symbol	t L	... ..			
	Data	*	* * *				
12	TO sensor data	Letter symbol	t o	... ..			
	Data	*	* * *				

SW01	SW02	SW03	Display detail				
1	1	5	TK1 sensor data	Temperature sensor reading (°F) is displayed in decimal format. • Letter symbol and data are displayed alternately, for 1 second and display for 3 seconds, respectively. • Data with negative value is displayed as [- *] [ * * *].	A	B	
			Letter symbol		F 1	... ..	
	Data		*		* * *		
	2		TK2 sensor data		Letter symbol	F 2	... ..
			Data		*	* * *	
	4		TK4 sensor data		Letter symbol	F 4	... ..
			Data		*	* * *	
	5		TK5 sensor data		Letter symbol	F 5	... ..
Data		*	* * *				

#### (4) Display of Outdoor Cycle Data (Displayed at Header Unit)

\* This method is used when displaying follower unit information on the 7-segment display of the header unit.

SW01	SW02	SW03	Display detail			
3	1	1~3	Check code data	A	[U.*], *: SW03 setting No. + 1 (Outdoor unit No. U2 to U3)	
				B	Check code is displayed (latest one only). If there is no check code: [- - -].	
	2		Type of compressor installed	A	[U.*], *: SW03 setting No. + 1 (Outdoor unit No. U2 to U3)	
				B		
	3		Outdoor unit capacity	A	[U.*], *: SW03 setting No. + 1 (Outdoor unit No. U2 to U3)	
				B	6 ton : [... 6.0], 8 ton : [... 8.0], 10 ton : [... 10.0], 12 ton : [12.0], 14 ton : [14.0]	
	4		Compressor operation command	A	[U.*], *: SW03 setting No. + 1 (Outdoor unit No. U2 to U3)	
				B	Indicates which compressor is ON.	
					* Any unconnected compressors is represented by "-".	B
					When compressor No. 1 is ON	1 0
	When compressor No. 2 is ON		0 1			
	5		Fan operation mode	A	[U.*], *: SW03 setting No. + 1 (Outdoor unit No. U2 to U3)	
				B	At rest: [F ... 0], In mode 63: [F 6 3]	
	6		Release signal	A	[U.*], *: SW03 setting No. + 1 (Outdoor unit No. U2 to U3)	
				B	Normal: [r ... ...], Upon receiving release signal: [r ... 1]	
	7		Oil level judgment	A	[U.*], *: SW03 setting No. + 1 (Outdoor unit No. U2 to U3)	
				B	Normal: [... ... ...], Low level: [... ... L]	
	8		Compressor 1 operating current	A	[U.*], *: SW03 setting No. + 1 (Outdoor unit No. U2 to U3)	
B		[**.*], **.* is value of operating current in decimal format.				
9	Compressor 2 operating current	A	[U.*], *: SW03 setting No. + 1 (Outdoor unit No. U2 to U3)			
		B	[**.*], **.* is value of operating current in decimal format.			

**Note:** Follower unit is selected by setting SW03.

SW03	7-segment display section A
1	U2
2	U3

## (5) Display of Indoor Unit Information (Displayed on Header Unit Only)

SW01	SW02	SW03	Display detail			
4	1~16	1~4	Indoor BUS communication signal receiving status	B	Upon receiving signal: [... .. 1], Other times: [... ..]	
5			Indoor check code	B	No check code: [- - -]	
6			Indoor capacity	B	... 0.6, ... 0.8, ... 1.0, ... 1.2, ... 1.5, ... 1.7, ... 2.0, ... 2.2, ... 2.5, ... 3.0, ... 4.0, ... 4.5, ... 6.0, ... 8.0, ... 12.0, 14.0, 16.0	
7			Indoor request command (S code, operation mode)	B	[#. ... *] # represents mode: COOL: [C. ... *], HEAT: [H. ... *] FAN: [F. ... *], OFF: [S. ... *] * represents S code: [#. ... 0] to [#. ... F]	
8			Indoor PMV opening data	B	Displayed in decimal format	
9			Indoor TA / TRA opening data	B	Displayed in decimal format	
10			11~14	Indoor TSA opening data	B	Displayed in decimal format
			1~4	Indoor TF / TFA opening data	B	Displayed in decimal format
11			11~14	Indoor TOA opening data	B	Displayed in decimal format
			1~4	Indoor TCJ opening data	B	Displayed in decimal format
				Indoor TC1 opening data	B	Displayed in decimal format
13			Indoor TC2 opening data	B	Displayed in decimal format	

**Note:** Indoor address No. is selected by setting SW02 and SW03 and displayed on 7-segment display, section A.

SW02	SW03	Indoor address	7-segment display section A
1~16	1	SW02 setting number	[01]~[16]
	11		
	2	SW02 setting number +16	[17]~[32]
	12		
	3	SW02 setting number +32	[33]~[48]
	13		
	4	SW02 setting number +48	[49]~[64]
	14		

## (6) Display of Outdoor EEPROM Writing Check Code (Displayed on Header Unit Only)

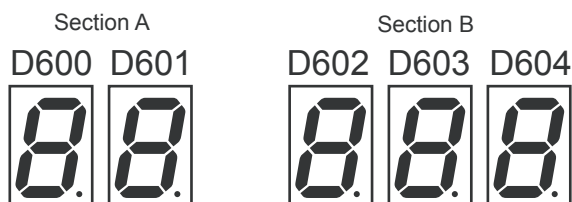
\* The latest code written in the EEPROM of each outdoor unit is displayed.

(This function is used to check the code after the resetting of the power supply.)

To display the code, push SW04 and hold for at least 5 seconds after setting SW01 to 03 as shown in the table below.

SW01	SW02	SW03	Indoor address	7-segment display section A	
1	1	16	Latest check code of header unit (U1)	E. 1.	***
	2		Latest check code of follower unit No. 1 (U2)	E. 2.	***
	3		Latest check code of follower unit No. 2 (U3)	E. 3.	***

### • 7-Segment Display



Set SW01/SW02/SW03 to [1/1/16] and push SW04 and hold for at least 5 seconds. The latest code of the header unit (U1) will be displayed.

If the setting of SW02 is changed, the latest code of a follow unit (U2-U3) will be displayed.

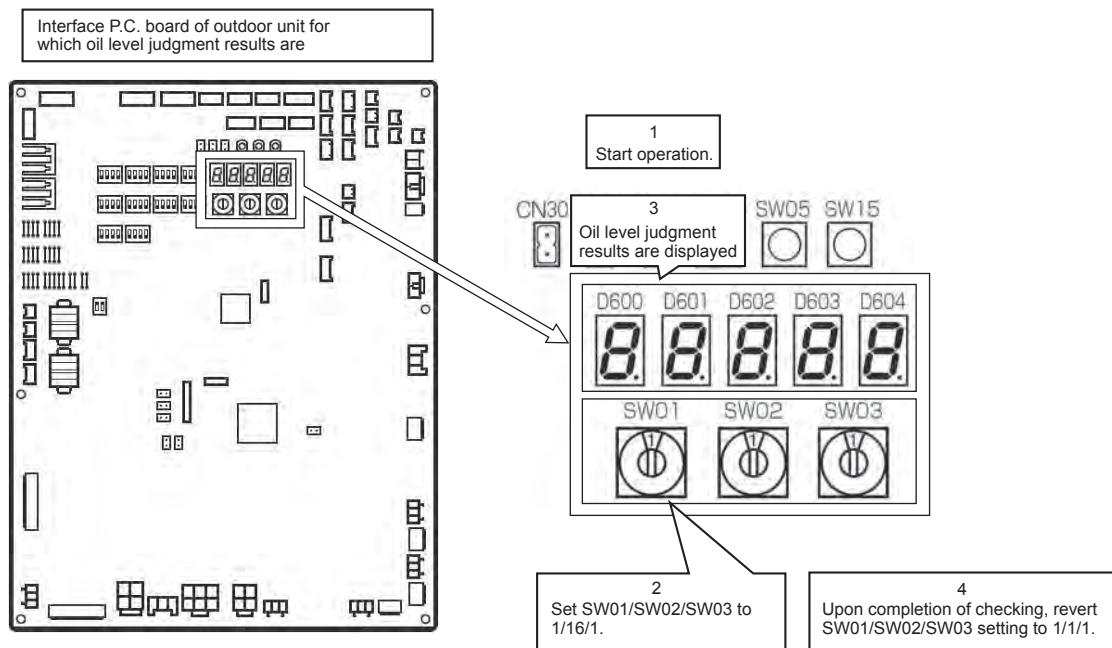
## 9-7. Oil Level Judgment Display

The current compressor oil level judgment results can be accessed by setting the switches provided on the interface P.C. board of an outdoor unit.

Perform the checks in accordance with the procedure described below.

### 1 Operation Procedure

- (1) Start the operation.
- (2) Set the switches provided on the interface P.C. board of the outdoor unit for which oil level judgment results are required as follows:  
SW01/SW02/SW03 = 1/16/1
- (3) The oil level judgment result will be displayed on the 7-segment display.  
7-segment display: [oL] [#.#.\$]  
The letters #, \* and \$ are digits that represent judgment results for compressor Nos. 1 and 2, respectively.  
(See the table below for the interpretation of the judgment results.)
- (4) When checking is completed, revert the SW01/SW02/SW03 setting to [1/1/1].



### 2 Oil Level Judgment Results

Displayed digit	Judgment result	Description
0	Normal	The amount of oil in the compressor is sufficient.
1 2	Low level	The amount of oil in the compressor is insufficient. (Both "1" and "2" stand for insufficiency.) If this result persists, the system will turn itself off in a protective shutdown.

#### Display example

7-segment display	[oL]	[0 0]	Oil level is normal for compressors 1 and 2.
	[oL]	[2 2]	Oil level is low for compressors 1 and 2.
	[oL]	[0 2]	Oil level is low for compressor 2 and normal for compressors 1.

Judgment result for compressor 2  
 Judgment result for compressor 1

# 9-8. SHRM-e Outdoor Interface P.C. Board Function Setting Exchange Table

## 1. Switch/Function Setting Exchange

Part type		Exchange contents			Initial setting at shipment	
SW06	DIP SW 4 bit	bit 1	Compressor 1 backup	OFF: Normal, ON: Backup when compressor 1 was in trouble	OFF	
		bit 2	Compressor 2 backup	OFF: Normal, ON: Backup when compressor 2 was in trouble	OFF	
		All bit1 and 2 are ON: Setup of outdoor unit backup			OFF	
SW07	DIP SW 4 bit	bit 1	Demand control 1 (Standard specifications) Exchange of upper limit regulation	OFF: 0 to 100% ON : Middle to 100%	OFF	
		bit 2	Demand control 2 (Expansion function) Exchange of 2 steps to 4 steps of upper limit	OFF: 2 steps (Standard) ON : 4 steps	OFF	
SW09	DIP SW 4 bit	In case of center outdoor unit				
		bit 2	Indoor connection capacity over Judgment of trouble	OFF: Trouble judgment ON : None (when backup setting for outdoor unit)	OFF	
		bit 4	Judgment of trouble for No. of connected indoor units	OFF: No trouble judgment ON : Trouble judgment	OFF	
		In case of terminal outdoor unit				
SW10	DIP SW 4 bit	bit 4	Exchange of Outdoor unit No. / Start order No.	OFF: Outdoor unit No. [U. #] (#: 1 to 3) ON : Outdoor start order No. [y. #] (#: 1 to 3)	OFF	
		bit 2	Outdoor fan high static pressure operation	OFF: Normal ON : High static pressure operation	OFF	
		bit 3	For low noise operation	OFF: Normal ON : INV frequency upper limit restriction	OFF	
SW11	DIP SW 4 bit	bit 4	Operation switching when indoor water overflow trouble detected	OFF: Entire system stops ON : System operation continues (Room which trouble occurred only stops.)	OFF	
		bit 4	Operation switching when indoor water overflow trouble detected	OFF: Entire system stops ON : System operation continues (Room which trouble occurred only stops.)	OFF	
SW12	DIP SW 4 bit	bit 1	Selection of PMV open/close or manual operation	(According to the following setting contents)		OFF
		bit 2				OFF
		bit 1	bit 2			
		OFF	OFF	PMV1 opens/closes by operation of CN30/CN31 (*1)		
ON	OFF	PMV3 opens/closes by operation of CN30/CN31 (*1)				
OFF	ON	PMV4 opens/closes by operation of CN30/CN31 (*1)				
SW13	DIP SW 4 bit	bit 4	Line address setup	(Used by combining with SW14)	OFF	
SW14	DIP SW 4 bit	bit 1	Line address setup		OFF	
		bit 2			OFF	
		bit 3			OFF	
		bit 4			OFF	
SW16	DIP SW 4 bit	bit 1	Option function	(According to the following setting contents)		OFF
		bit 2	Output exchange of external output P.C. boa			OFF
		bit 1	bit 2			
		OFF	OFF	Compressor operation output		
ON	OFF	Display of system operation ratio				
SW30	DIP SW 2 bit	bit 1	Communication termination resistance between outdoor units	OFF: No termination resistance ON : With termination resistance	ON	
		bit 2	Communication termination resistance between indoor and outdoor units	OFF: No termination resistance ON : With termination resistance	ON	
CN30	Check connector	Manual full opening operation for PMV opening operation		When released: Normal, When short-circuited: Open fully (2 minutes)	Released	
CN31	Check connector	Manual full closing operation for PMV opening operation		When released: Normal, When short-circuited: Closed fully (2 minutes)	Released	

\*1 PMV full open/full close operation by short-circuited CN30/CN31 is for PMV which was selected by setting of SW12.

## 2. Switching of Jumper Wire/Function

### Setup Function switching setup

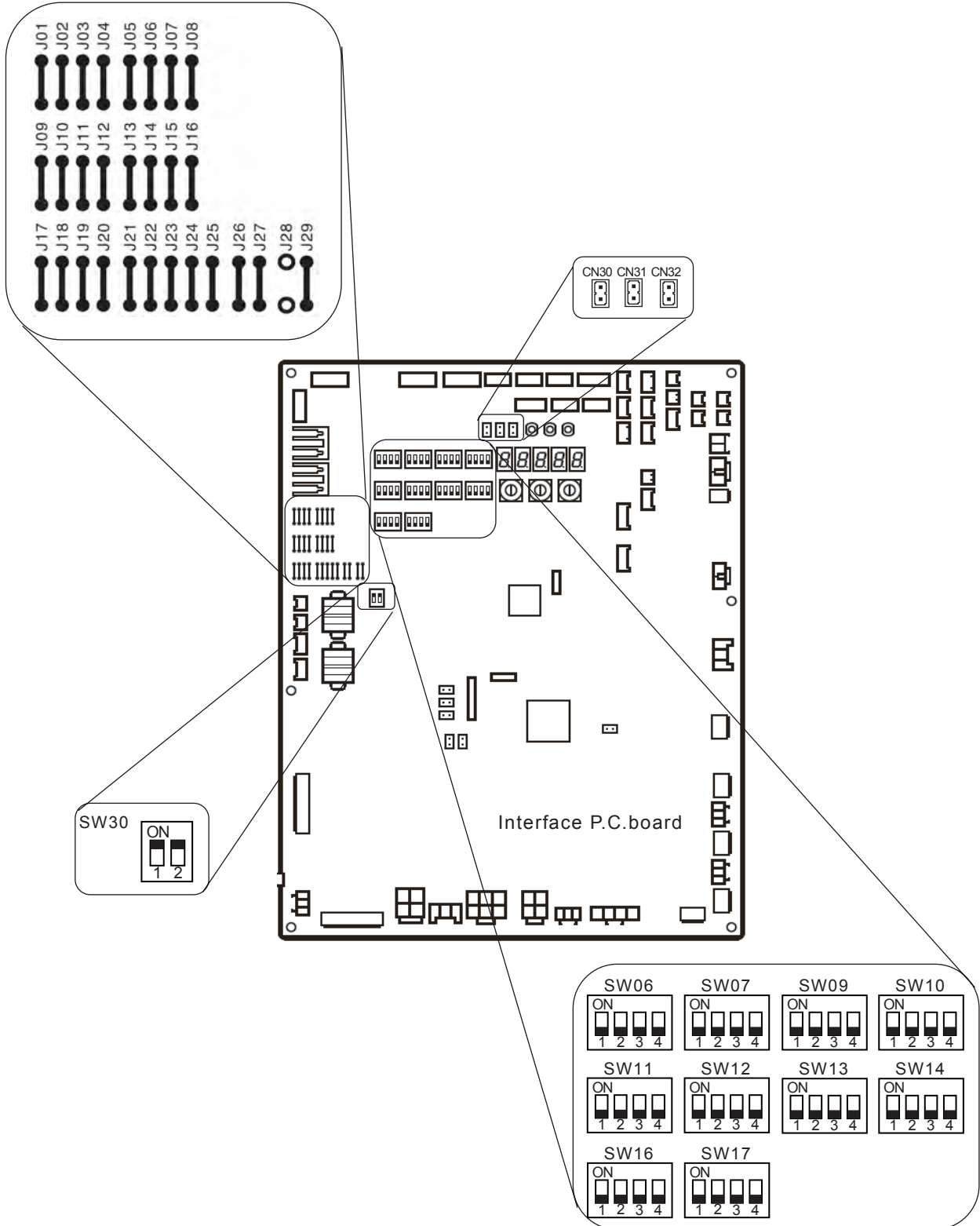
○ : With jumper, × : Without jumper (Cut)

jumper	Part type	Exchange contents		Initial setting at shipment
J01	Optional function Operation mode selection operation switching	○	Indoor unit at not selected side is kept with waiting status.	○
		×	The mode is changed a mode which selected the operation mode of the indoor unit at not selected side.	
J04	Upper limit setup of demand capacity command in corresponding indoor during saving operation in indoor	○	Approx. 75% (Normal)	○
		×	Approx. 60%	
J16	Demand control 1 (Standard specification) Corresponds to 2-core wire	○	Normal (3-core wire <Successive MAKE signal> or 4-core wire <Successive MAKE or Pulse signal>)	○
		×	2-core wire <Successive MAKE signal>	

\*4 When you replace the board with a service board, be sure to cut the jumper wire matching with the outdoor unit model to be installed. (The jumper wires J09 to J12 which were mounted at shipment from the factory are provided to all the boards regardless of model type.)



**Interface Board Switches and jumper wire positions to be used in the Function setup switching table**



## 9-9. Leakage/Clogging of Refrigerating Cycle Circuit

### List of Check Codes Generated upon Occurrence of Leakage/Clogging in Outdoor Cycle or Oil Circuit Part (MMY-MAP0726\*)

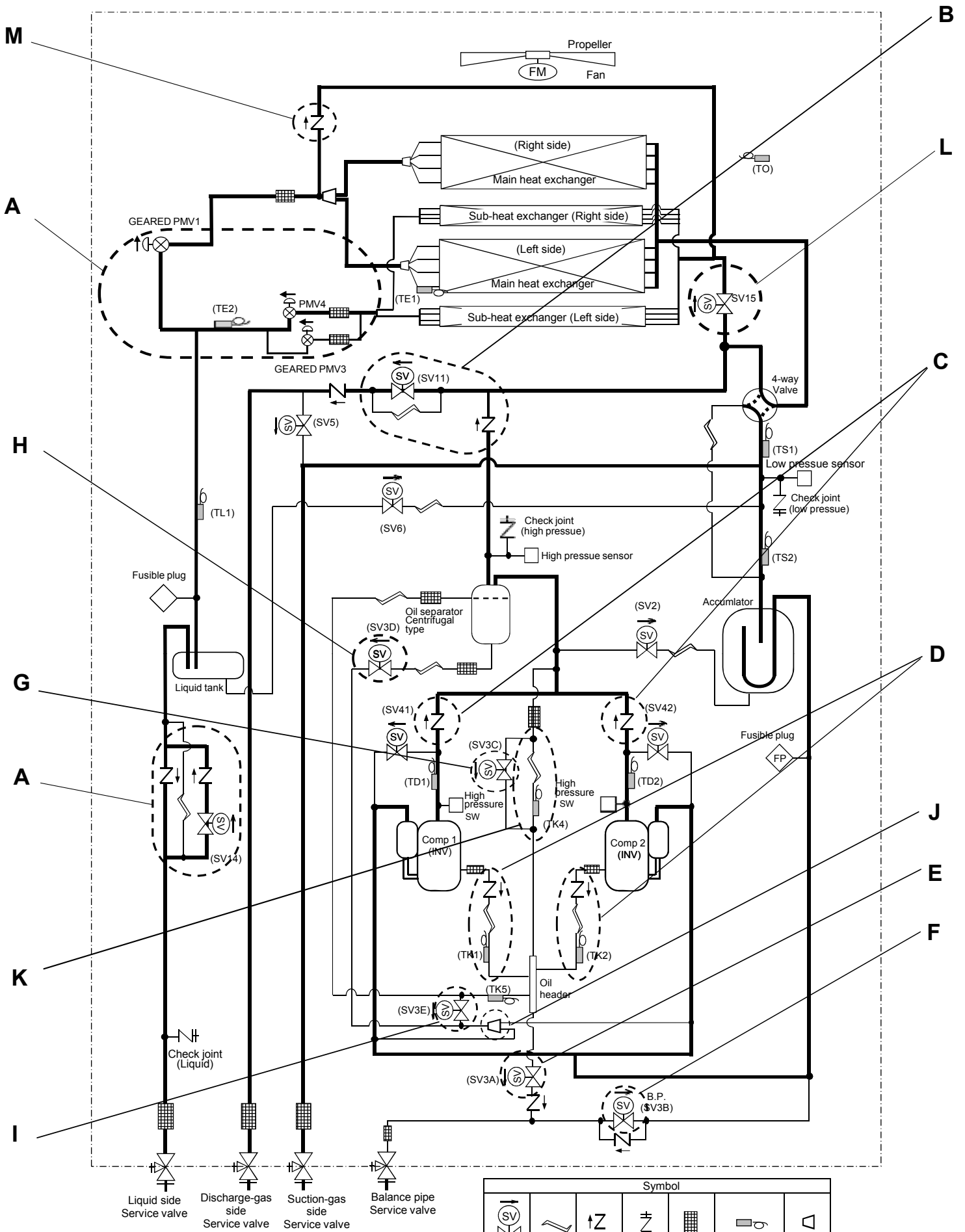
#### Clogging

Part	Site of fault (see next page)	Check target unit	Detected fault and check code	Symptom
Outdoor PMV1, PMV3, 4 Outdoor PMV4 circuit check valve SV14 valve SV14 valve circuit check valve	A	Corresponding unit	Activation of high-pressure protection Activation of low-pressure protection Discharge temp. trouble (TD1) Discharge temp. trouble (TD2)	P20 H06 P03 P17 Rise of abnormal pressure Fall of pressure Rise of discharge temp. (compressor 1) Rise of discharge temp. (compressor 2)
Check valve in discharge pipe convergent section SV11 valve SV11 valve circuit check valve	B	Corresponding unit	High-pressure protection operation High-pressure SW system trouble	P20 P04-XX Abnormal rise of pressure
Check valve in discharge pipe	C	Corresponding unit	High-pressure SW system trouble	P04-XX Abnormal rise of pressure
Check valve in oil-equalization circuit Capillary Strainer	D	Corresponding unit	Oil level detection circuit trouble Oil level low detection and protection	H16-XX H07-XX Oil circuit trouble or oil shortage judgment
SV3A valve	E	Other connected unit	Oil level low detection and protection	H07-XX Oil level low
SV3B valve	F	Corresponding unit	Oil level low detection and protection	H07-XX Oil level low
SV3C valve	G	Other connected unit	Oil level low detection and protection	H07-XX Oil level low
SV3D valve SV3D valve circuit capillary Strainer	H	Corresponding unit	Oil level low detection and protection	H07-XX Oil level low
SV3E valve	I	Corresponding unit	Oil level detection circuit trouble Oil level low detection and protection	H16-05 H07-XX Oil circuit trouble Oil level low Oil level low
Oil return distributor	J	Corresponding unit	Oil level low detection and protection	H07-XX Oil level low
SV3C bypass capillary	K	Corresponding unit	Oil level detection circuit trouble	H16-04 Oil circuit trouble
SV15 valve	L	Corresponding unit	Activation of high-pressure protection Discharge temp. trouble (TD1) Discharge temp. trouble (TD2)	P20 P03 P17 Rise of abnormal pressure Fall of pressure Rise of discharge temp. (compressor 1) Rise of discharge temp. (compressor 2)
Check valve in main sub bypass	M	Corresponding unit	Activation of high-pressure protection Discharge temp. trouble (TD1) Discharge temp. trouble (TD2)	P20 P03 P17 Rise of abnormal pressure Fall of pressure Rise of discharge temp. (compressor 1) Rise of discharge temp. (compressor 2)

#### Leakage

Part	Site of fault (see next page)	Check target unit	Detected fault and check code	Symptom
Outdoor PMV1	A	Corresponding unit	Outdoor liquid backflow trouble Oil level low detection and protection	P13 H07-XX Refrigerant entrapment
		Other connected unit	Discharge temp. trouble (TD1) Discharge temp. trouble (TD2)	P03 P17 Rise of discharge temp. (compressor 1) Rise of discharge temp. (compressor 2)
Check valve in discharge pipe convergent section	B	Corresponding unit	Oil level low detection and protection Compressor breakdown Compressor trouble (lockup)	H07-XX H01-XX H02-XX Refrigerant entrapment
Check valve in discharge pipe	C	Corresponding unit	Oil level low detection and protection Compressor breakdown Compressor trouble (lockup)	H07-XX H01-XX H02-XX Refrigerant entrapment
Check valve in oil-equalization circuit	D	Corresponding unit	Oil level low detection and protection	H07-XX Excessive amount of oil (Leaking side) Insufficient amount of oil (Normal side)
SV3A valve	E	Corresponding unit	Oil level low detection and protection	H07-XX Oil level low
SV3C valve	G	Corresponding unit	Oil level low detection and protection	H07-XX Oil level low
SV15 valve	L	Corresponding unit	Cooling capacity is lower than normal indoor unit	- Rise of TE2 temp.

**Note:** "XX" represents sub-code



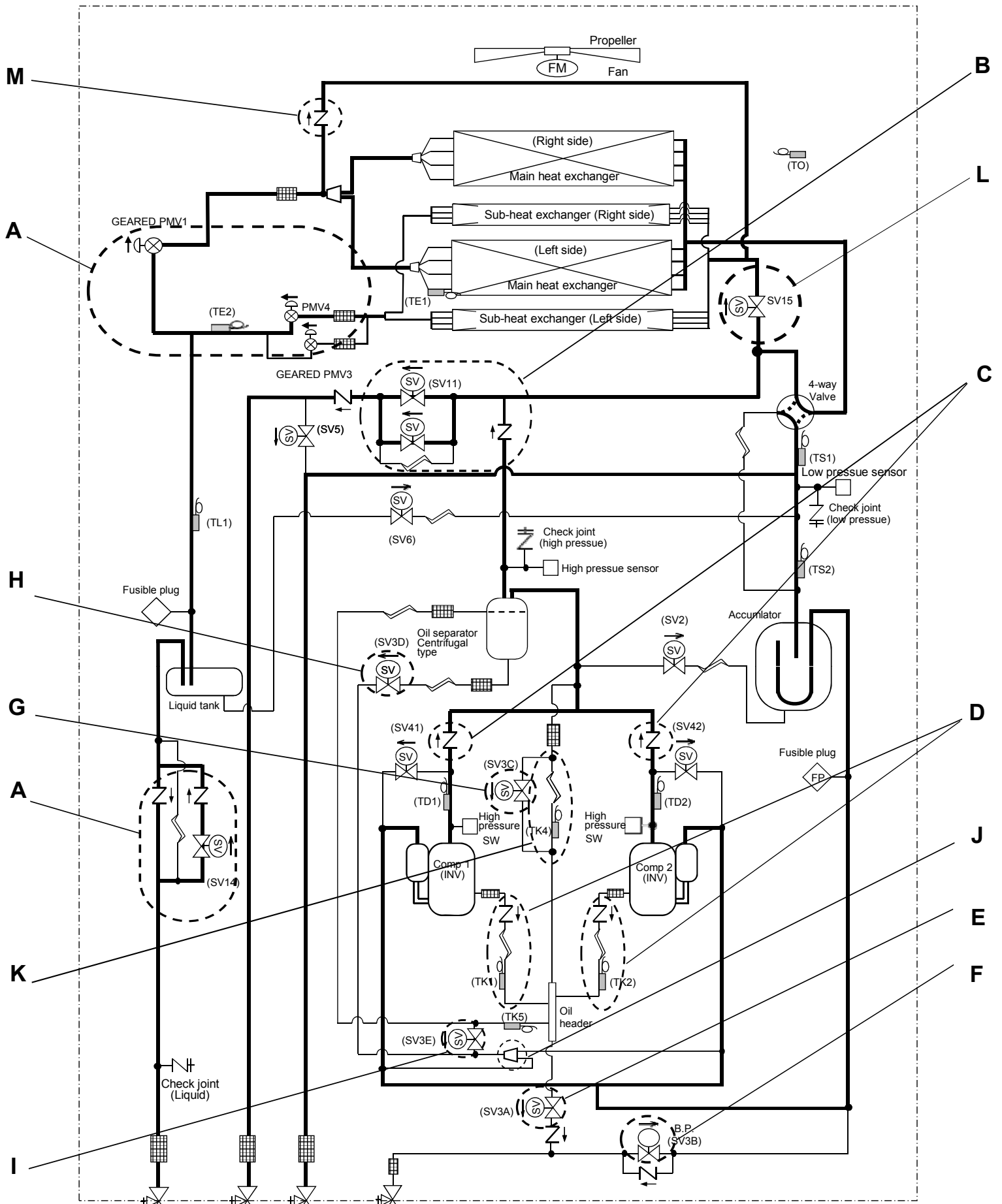
**List of Check Codes Generated upon Occurrence of Leakage/Clogging in Outdoor Cycle or Oil Circuit Part (MMY-MAP0966\*, 1206\*)**

**Clogging**

Part	Site of fault (see next page)	Check target unit	Detected fault and check code		Symptom
Outdoor PMV1, PMV3, 4 Outdoor PMV4 circuit check valve SV14 valve SV14 valve circuit check valve	A	Corresponding unit	Activation of high-pressure protection Activation of low-pressure protection Discharge temp. trouble (TD1) Discharge temp. trouble (TD2)	P20 H06 P03 P17	Rise of abnormal pressure Fall of pressure Rise of discharge temp. (compressor 1) Rise of discharge temp. (compressor 2)
Check valve in discharge pipe convergent section SV11 valve SV11 valve circuit check valve	B	Corresponding unit	High-pressure protection operation High-pressure SW system trouble	P20 P04-XX	Abnormal rise of pressure
Check valve in discharge pipe	C	Corresponding unit	High-pressure SW system trouble	P04-XX	Abnormal rise of pressure
Check valve in oil-equalization circuit Capillary Strainer	D	Corresponding unit	Oil level detection circuit trouble Oil level low detection and protection	H16-XX H07-XX	Oil circuit trouble or oil shortage judgment
SV3A valve	E	Other connected unit	Oil level low detection and protection	H07-XX	Oil level low
SV3B valve	F	Corresponding unit	Oil level low detection and protection	H07-XX	Oil level low
SV3C valve	G	Other connected unit	Oil level low detection and protection	H07-XX	Oil level low
SV3D valve SV3D valve circuit capillary Strainer	H	Corresponding unit	Oil level low detection and protection	H07-XX	Oil level low
SV3E valve	I	Corresponding unit	Oil level detection circuit trouble Oil level low detection and protection	H16-05 H07-XX	Oil circuit trouble Oil level low Oil level low
Oil return distributor	J	Corresponding unit	Oil level low detection and protection	H07-XX	Oil level low
SV3C bypass capillary	K	Corresponding unit	Oil level detection circuit trouble	H16-04	Oil circuit trouble
SV15 valve	L	Corresponding unit	Activation of high-pressure protection Discharge temp. trouble (TD1) Discharge temp. trouble (TD2)	P20 P03 P17	Rise of abnormal pressure Fall of pressure Rise of discharge temp. (compressor 1) Rise of discharge temp. (compressor 2)
Check valve in main sub bypass	M	Corresponding unit	Activation of high-pressure protection Discharge temp. trouble (TD1) Discharge temp. trouble (TD2)	P20 P03 P17	Rise of abnormal pressure Fall of pressure Rise of discharge temp. (compressor 1) Rise of discharge temp. (compressor 2)

**Leakage**

Part	Site of fault (see next page)	Check target unit	Detected fault and check code		Symptom
Outdoor PMV1	A	Corresponding unit	Outdoor liquid backflow trouble Oil level low detection and protection	P13 H07-XX	Refrigerant entrapment
		Other connected unit	Discharge temp. trouble (TD1) Discharge temp. trouble (TD2)	P03 P17	Rise of discharge temp. (compressor 1) Rise of discharge temp. (compressor 2)
Check valve in discharge pipe convergent section	B	Corresponding unit	Oil level low detection and protection Compressor breakdown Compressor trouble (lockup)	H07-XX H01-XX H02-XX	Refrigerant entrapment
Check valve in discharge pipe	C	Corresponding unit	Oil level low detection and protection Compressor breakdown Compressor trouble (lockup)	H07-XX H01-XX H02-XX	Refrigerant entrapment
Check valve in oil-equalization circuit	D	Corresponding unit	Oil level low detection and protection	H07-XX	Excessive amount of oil (Leaking side) Insufficient amount of oil (Normal side)
SV3A valve	E	Corresponding unit	Oil level low detection and protection	H07-XX	Oil level low
SV3C valve	G	Corresponding unit	Oil level low detection and protection	H07-XX	Oil level low
SV15 valve	L	Corresponding unit	Cooling capacity is lower than normal indoor unit	-	Rise of TE2 temp.



Liquid side Service valve  
 Discharge-gas side Service valve  
 Suction-gas side Service valve  
 Balance pipe Service valve

Symbol						
Solenoid valve	Capillary tube	Check valve	Check joint	Strainer	Temperature sensor	Distributor

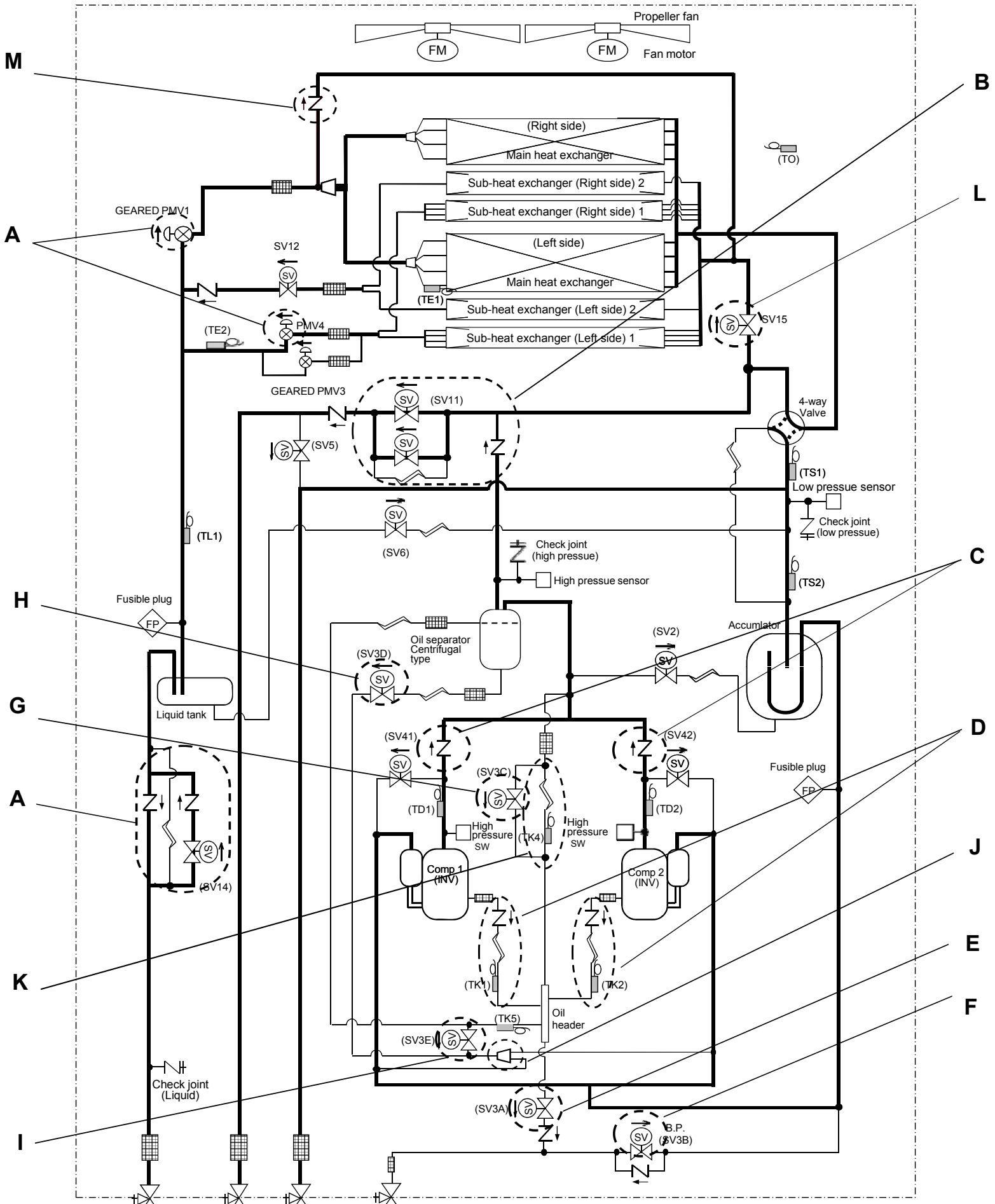
## List of Check Codes Generated upon Occurrence of Leakage/Clogging in Outdoor Cycle or Oil Circuit Part (MMY-MAP1446\*, MAP1686\*)

### Clogging

Part	Site of fault (see next page)	Check target unit	Detected fault and check code		Symptom
Outdoor PMV1, PMV3, 4 Outdoor PMV4 circuit check valve SV14 valve SV14 valve circuit check valve	A	Corresponding unit	Activation of high-pressure protection Activation of low-pressure protection Discharge temp. trouble (TD1) Discharge temp. trouble (TD2)	P20 H06 P03 P17	Rise of abnormal pressure Fall of pressure Rise of discharge temp. (compressor 1) Rise of discharge temp. (compressor 2)
Check valve in discharge pipe convergent section SV11 valve SV11 valve circuit check valve	B	Corresponding unit	High-pressure protection operation High-pressure SW system trouble	P20 P04-XX	Abnormal rise of pressure
Check valve in discharge pipe	C	Corresponding unit	High-pressure SW system trouble	P04-XX	Abnormal rise of pressure
Check valve in oil-equalization circuit Capillary Strainer	D	Corresponding unit	Oil level detection circuit trouble Oil level low detection and protection	H16-XX H07-XX	Oil circuit trouble or oil shortage judgment
SV3A valve	E	Other connected unit	Oil level low detection and protection	H07-XX	Oil level low
SV3B valve	F	Corresponding unit	Oil level low detection and protection	H07-XX	Oil level low
SV3C valve	G	Other connected unit	Oil level low detection and protection	H07-XX	Oil level low
SV3D valve SV3D valve circuit capillary Strainer	H	Corresponding unit	Oil level low detection and protection	H07-XX	Oil level low
SV3E valve	I	Corresponding unit	Oil level detection circuit trouble Oil level low detection and protection	H16-05 H07-XX	Oil circuit trouble Oil level low Oil level low
Oil return distributor	K	Corresponding unit	Oil level low detection and protection	H07-XX	Oil level low
SV3C bypass capillary	L	Corresponding unit	Oil level detection circuit trouble	H16-04	Oil circuit trouble
SV15 valve	L	Corresponding unit	Activation of high-pressure protection Discharge temp. trouble (TD1) Discharge temp. trouble (TD2)	P20 P03 P17	Rise of abnormal pressure Fall of pressure Rise of discharge temp. (compressor 1) Rise of discharge temp. (compressor 2)
Check valve in main sub bypass	M	Corresponding unit	Activation of high-pressure protection Discharge temp. trouble (TD1) Discharge temp. trouble (TD2)	P20 P03 P17	Rise of abnormal pressure Fall of pressure Rise of discharge temp. (compressor 1) Rise of discharge temp. (compressor 2)

### Leakage

Part	Site of fault (see next page)	Check target unit	Detected fault and check code		Symptom
Outdoor PMV1	A	Corresponding unit	Outdoor liquid backflow trouble Oil level low detection and protection	P13 H07-XX	Refrigerant entrapment
		Other connected unit	Discharge temp. trouble (TD1) Discharge temp. trouble (TD2)	P03 P17	Rise of discharge temp. (compressor 1) Rise of discharge temp. (compressor 2)
Check valve in discharge pipe convergent section	B	Corresponding unit	Oil level low detection and protection Compressor breakdown Compressor trouble (lockup)	H07-XX H01-XX H02-XX	Refrigerant entrapment
Check valve in discharge pipe	C	Corresponding unit	Oil level low detection and protection Compressor breakdown Compressor trouble (lockup)	H07-XX H01-XX H02-XX	Refrigerant entrapment
Check valve in oil-equalization circuit	D	Corresponding unit	Oil level low detection and protection	H07-XX	Excessive amount of oil (Leaking side) Insufficient amount of oil (Normal side)
SV3A valve	E	Corresponding unit	Oil level low detection and protection	H07-XX	Oil level low
SV3C valve	G	Corresponding unit	Oil level low detection and protection	H07-XX	Oil level low
SV15 valve	L	Corresponding unit	Cooling capacity is lower than normal indoor unit	-	Rise of TE2 temp.



Liquid side Service valve  
 Discharge-gas side Service valve  
 Suction-gas side Service valve  
 Balance pipe Service valve

Symbol						
Solenoid valve	Capillary tube	Check valve	Check joint	Strainer	Temperature sensor	Distributor

## 9-9-1. FS Unit

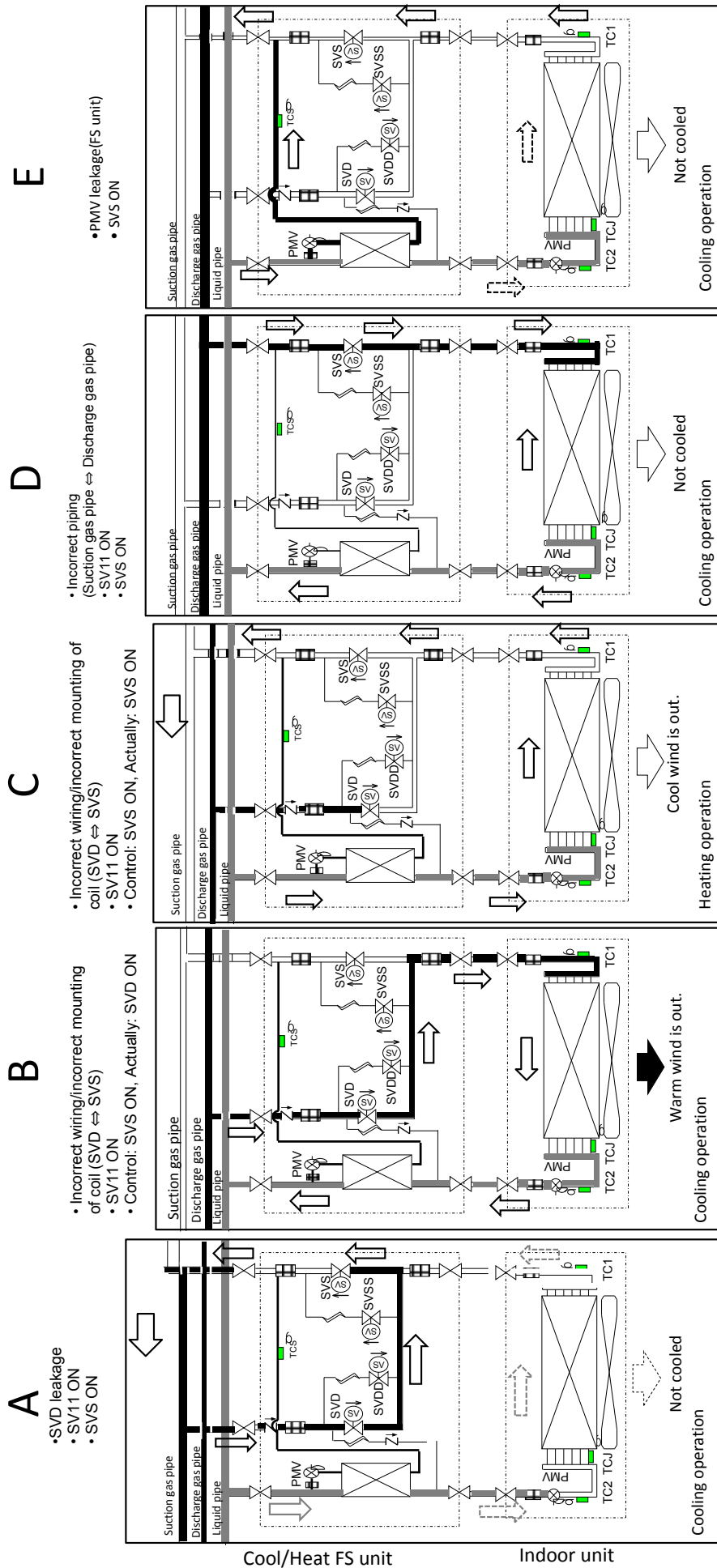
Leakage of SVD valve or SVS valve, etc; Positions to be checked and check code when a trouble such as miswiring occurred.

Part name	Trouble mode	Operation mode	Phenomenon which appears as result (Corresponding indoor unit or flow selector unit)				Judgment and position to be checked	Example of refrigerant flow
			Not cooled	Not heated	May become almost normal capacity	Abnormal refrigerant sound ● Circulating sound		
SVD valve	Clogging	Single heating Simultaneous cooling (Room heating) Simultaneous heating (Room heating)	<input type="radio"/>	<input type="radio"/>		<input checked="" type="radio"/> Abnormal refrigerant sound <input type="radio"/> Circulating sound	<ul style="list-style-type: none"> <li>• TC1 is lower than normal indoor unit.</li> <li>• Temperature of gas pipe at indoor side of the flow selector unit is lower than that of normal FS unit.</li> </ul>	
	Leakage	Single cooling (SV11 ON) Simultaneous cooling (Room cooling) Simultaneous heating (Room cooling)	<input type="radio"/>	<input type="radio"/>		<input type="radio"/> SVD circuit – <input type="radio"/> SVSS circuit	<ul style="list-style-type: none"> <li>• Compared with normal indoor unit, TCJ is higher.</li> <li>• Suction gas pipe at outdoor side of the flow selector unit is hot.</li> <li>• Refrigerant circulating sound is heard in bypass from SVD valve to SVS valve.</li> </ul>	<b>A</b>
	Miswiring/ Misinstallation of coil SVD ↔ SVS	Single cooling (SV11 OFF)	<input type="radio"/>	<input type="radio"/>		<input type="radio"/> SVSS circuit	<ul style="list-style-type: none"> <li>• TCJ is higher than normal indoor unit.</li> <li>• Gas pipe at indoor side of the flow selector unit is not cold.</li> <li>• Refrigerant circulating sound is heard from SVSS valve.</li> </ul>	
SVS valve	Clogging	Single heating Simultaneous cooling (Room heating) Simultaneous heating (Room heating)	<input type="radio"/>	<input type="radio"/>		<input type="radio"/> SVD circuit	<ul style="list-style-type: none"> <li>• Temperature of TCJ and TC1 become high similar to heating. (All heating circuit)</li> <li>• Discharge gas pipe at outdoor unit side of the flow selector unit is rather hot.</li> <li>• Refrigerant circulating sound is not heard from SVS valve, but it is heard from SVD valve.</li> </ul>	<b>B</b>
	Leakage	Single cooling (SV11 ON) Simultaneous cooling (Room cooling) Simultaneous heating (Room cooling)	<input type="radio"/>	<input type="radio"/>		<input type="radio"/> SVSS circuit	<ul style="list-style-type: none"> <li>• Gas pipe at indoor side of the flow selector unit is cold. (Cooling circuit, Liquid pack)</li> <li>• Refrigerant circulating sound is not heard from SVD valve, but it is heard from SVS valve.</li> </ul>	<b>C</b>
	Miswiring/ Misinstallation of coil SVD ↔ SVS	Single heating Simultaneous cooling (Room heating) Simultaneous heating (Room heating)	<input type="radio"/>	<input type="radio"/>		<input type="radio"/> SVD circuit	<ul style="list-style-type: none"> <li>• TCJ is higher than normal indoor unit.</li> <li>• Gas pipe at indoor side of the flow selector unit is not cold.</li> <li>• Refrigerant circulating sound is heard from SVSS valve.</li> </ul>	
SVDD valve	Clogging	Single heating Simultaneous cooling (Room heating) Simultaneous heating (Room heating)	<input type="radio"/>	<input type="radio"/>		<input type="radio"/> SVD circuit	<ul style="list-style-type: none"> <li>• Compared with normal indoor unit, TCJ is low.</li> <li>• Temperature of suction gas pipe at outdoor side of the flow selector unit is higher than that of normal flow selector unit.</li> <li>• Refrigerant circulating sound is heard from SVS valve circuit.</li> </ul>	
	Leakage	Single cooling (SV11 ON) Simultaneous cooling (Room cooling) Simultaneous heating (Room cooling)	<input type="radio"/>	<input type="radio"/>		<input type="radio"/> SVDD circuit	<ul style="list-style-type: none"> <li>• In start time, when exchanging mode from cooling to heating after defrost operation, refrigerant shock sound may be heard.</li> </ul>	
	Miswiring/ Misinstallation of coil SVD ↔ SVS	Single heating Simultaneous cooling (Room heating) Simultaneous heating (Room heating)	<input type="radio"/>	<input type="radio"/>		<input type="radio"/> SVDD circuit	<ul style="list-style-type: none"> <li>• Refrigerant circulating sound may be heard from SVDD valve circuit.</li> <li>• Suction gas pipe at outdoor unit side of the flow selector unit may be hot.</li> </ul>	
PMV	Clogging	Single heating Simultaneous cooling (Room heating) Simultaneous heating (Room heating)	<input type="radio"/>	<input type="radio"/>		<input checked="" type="radio"/> Indoor unit, flow selector unit	<ul style="list-style-type: none"> <li>• Refrigerant circulating sound may be heard from SVDD valve circuit.</li> <li>• Suction gas pipe at outdoor unit side of the flow selector unit may be hot.</li> </ul>	
	Leakage	Single cooling Single heating Simultaneous cooling (Room heating) Simultaneous heating (Room heating)	<input type="radio"/>	<input type="radio"/>		<input checked="" type="radio"/> Indoor unit, flow selector unit	<ul style="list-style-type: none"> <li>• In start time, when exchanging mode from cooling to heating after defrost operation, refrigerant shock sound may be heard.</li> </ul>	
	Miswiring/ Misinstallation of coil SVD ↔ SVS	Single heating Simultaneous cooling (Room heating) Simultaneous heating (Room heating)	<input type="radio"/>	<input type="radio"/>		<input checked="" type="radio"/> Indoor unit, flow selector unit	<ul style="list-style-type: none"> <li>• In start time, when exchanging mode from cooling to heating after defrost operation, refrigerant shock sound may be heard.</li> </ul>	



Part name	Trouble mode	Operation mode	Phenomenon which appears as result (Corresponding indoor unit or flow selector unit)					Judgment and position to be checked	Example of refrigerant flow
			Not cooled	Not heated	May become almost normal capacity	Abnormal refrigerant sound ● Circulating sound	Detection of check code		
SVSS valve	Clogging	All cooling Mainly cooling (Indoor cooling) Mainly heating (Indoor cooling)			<input type="radio"/>	<input checked="" type="radio"/> Indoor unit, flow selector unit		<ul style="list-style-type: none"> <li>• Operation is changed from heating to cooling.</li> <li>• Refrigerant i mpaact sound is heard at defrost time.</li> </ul>	
		All heating Mainly cooling (Indoor heating) Mainly heating (Indoor heating)			<input type="radio"/>	<input checked="" type="radio"/> Indoor unit, flow selector unit			
Discharge. Liquid bypass capillary, Check valve	Leakage	All heating Mainly cooling (Indoor heating) Mainly heating (Indoor heating)			<input type="radio"/>	<input type="radio"/> SVSS circuit		<ul style="list-style-type: none"> <li>• Refrigerant sound may be heard from SVSS valve circuit.</li> <li>• Temperature of suction gas pipe at outdoor side of the selector unit is higher than that of normal selector unit.</li> </ul>	
		All cooling (SV11 ON) Mainly cooling (Indoor cooling) Mainly heating (Indoor cooling)	<input type="radio"/>				P15 [Gas leak detection]		
Piping Discharge pipe Liquid pipe Gas pipe	Check valve clogging	All heating Mainly cooling (Indoor heating) Mainly heating (Indoor heating)		<input type="radio"/>				<ul style="list-style-type: none"> <li>• Gas short is observed and PD and PS may be lower than those in normal time.</li> <li>• TD and TS may be higher than those in normal time.</li> </ul>	
		All cooling (SV11 OFF)	<input type="radio"/>		<input type="radio"/> Check valve circuit		<ul style="list-style-type: none"> <li>• Refrigerant sound may be heard from check valve.</li> <li>• Discharge gas pipe is cold or it may be frozen.</li> </ul>		
Communication line Power supply line	Check valve leakage	All cooling (SV11 OFF)			<input type="radio"/>			<ul style="list-style-type: none"> <li>• Impossible judgment</li> </ul>	
		All cooling (SV11 ON) Mainly cooling (Indoor cooling) Mainly heating (Indoor cooling)	<input type="radio"/>				<ul style="list-style-type: none"> <li>• TCJ and TC1 are heated same as heating. (Heating circuit)</li> <li>• Suction gas pipe at outdoor side of selector unit is fairly heated.</li> </ul>		
PMV	Leakage	All heating Mainly cooling (Indoor heating) Mainly heating (Indoor heating)			<input type="radio"/>			<ul style="list-style-type: none"> <li>• Temperature of suction gas pipe at outdoor side of the FS unit is higher than that of the normal FS unit.</li> </ul>	
		All cooling Mainly cooling (Room heating)	<input type="radio"/>			<input type="radio"/> PMV circuit	<ul style="list-style-type: none"> <li>• Refrigerant sound may be heard from PMV.</li> <li>• Temperature of TCS is lowered than the TCS of the other branch.</li> </ul>		
In some cases, phenomena such as above occur.									

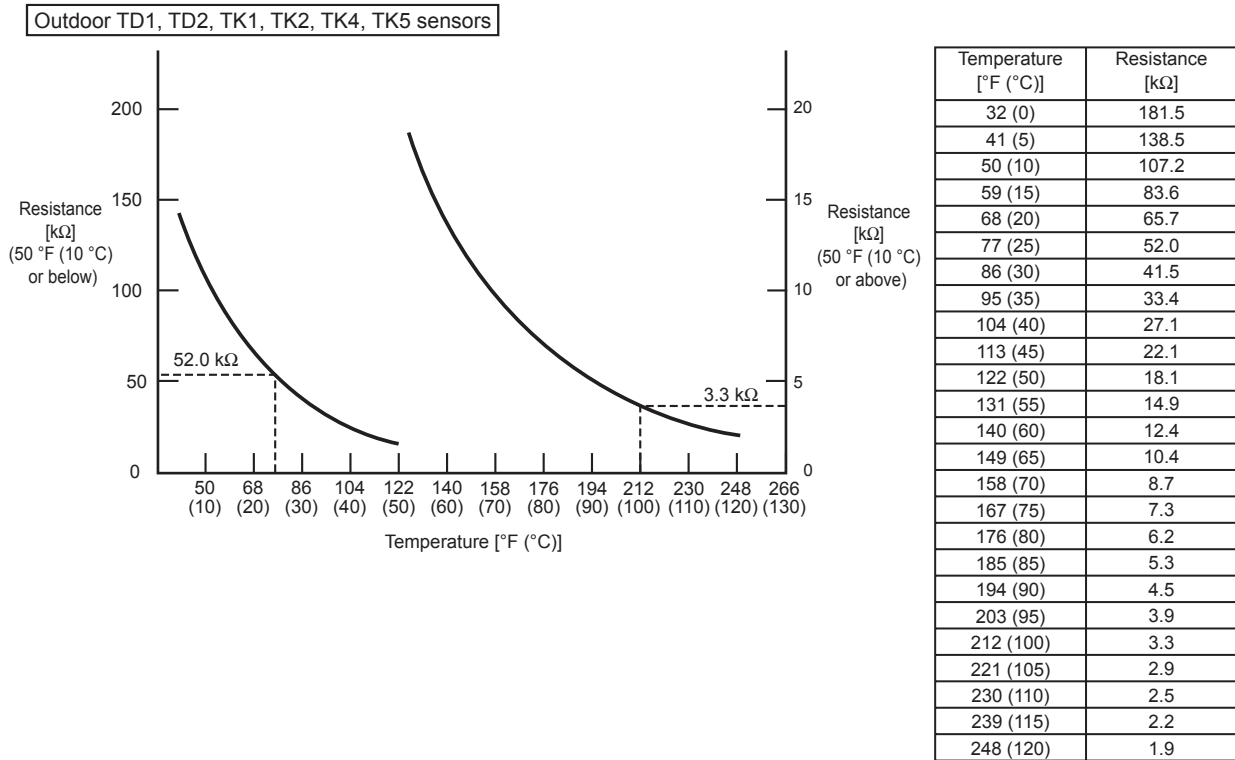
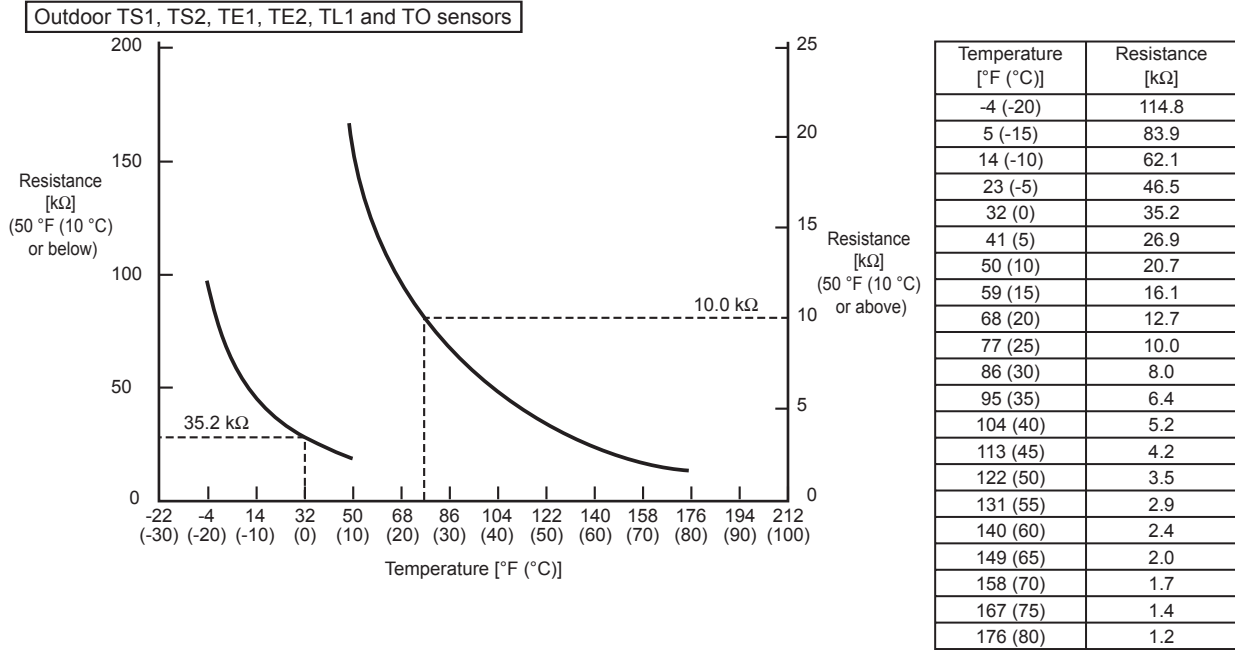
<REFERENCE> An Example of Refrigerant Flow in FS Unit When Trouble Occurred



# 9-10. Sensor characteristics

## Outdoor Unit

### ▼ Temperature sensor characteristics



## Outdoor Unit

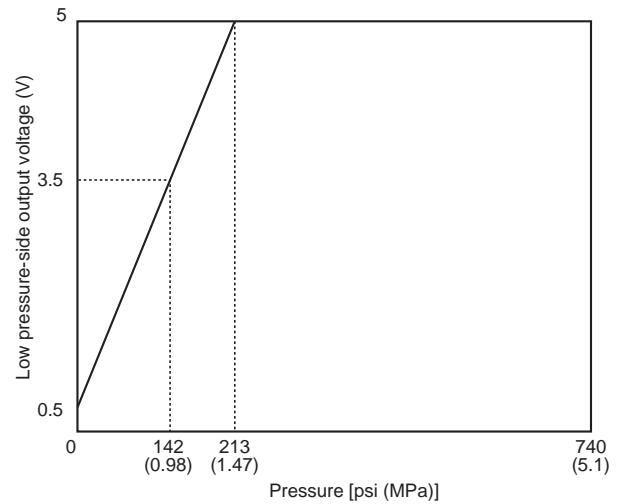
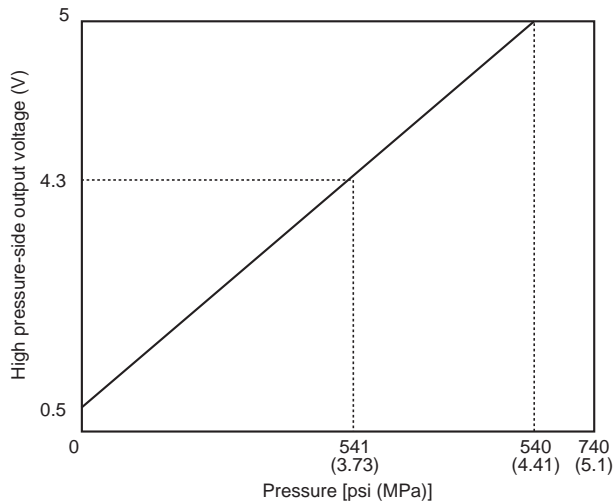
### ▼ Pressure sensor characteristics

- Input/output wiring summary

Pin No.	High pressure side (Pd)		Low pressure side (Ps)	
	Input/output name	Lead wire color	Input/output name	Lead wire color
1	OUTPUT	White	—	—
2	—	—	OUTPUT	White
3	GND	Black	GND	Black
4	+5V	Red	+5V	Red

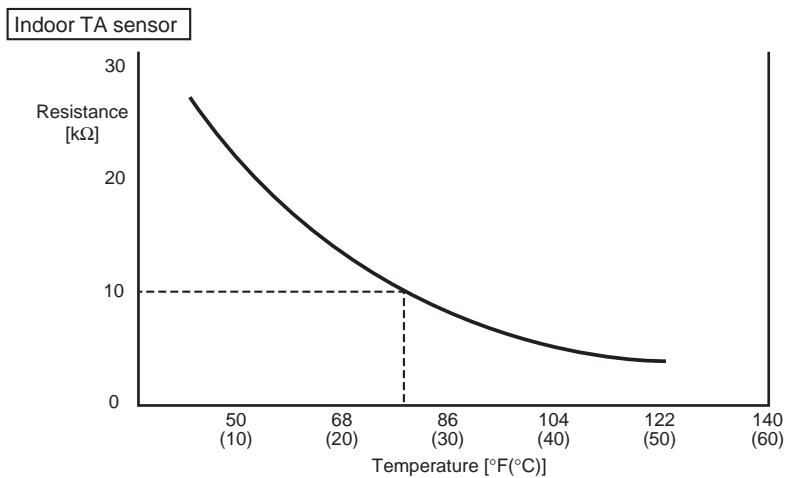
- Output voltage vs. pressure

Input/output name	Input/output name
0.5~4.3V 0~54 psi ( 0~3.73MPa )	0.5~3.5V 0~141 psi ( 0~0.98 MPa )



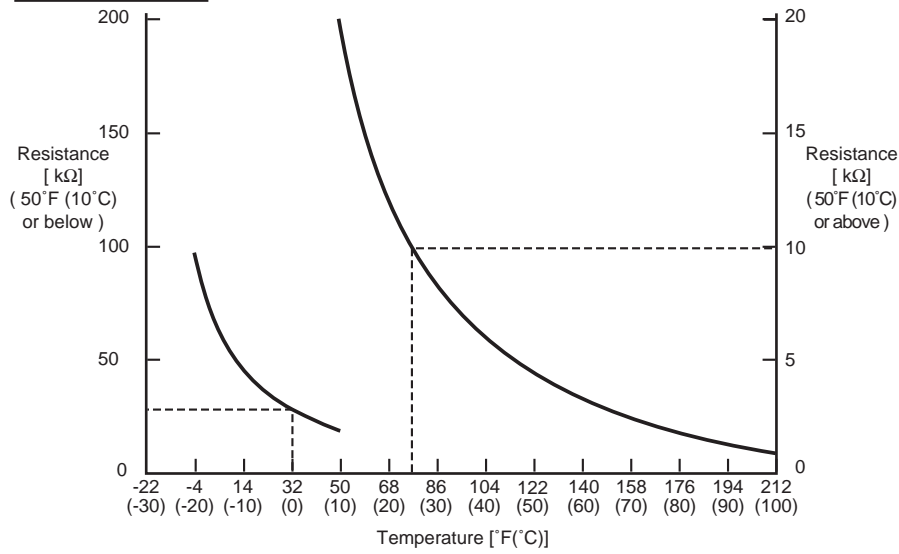
## Indoor Unit

### ▼ Temperature sensor characteristics



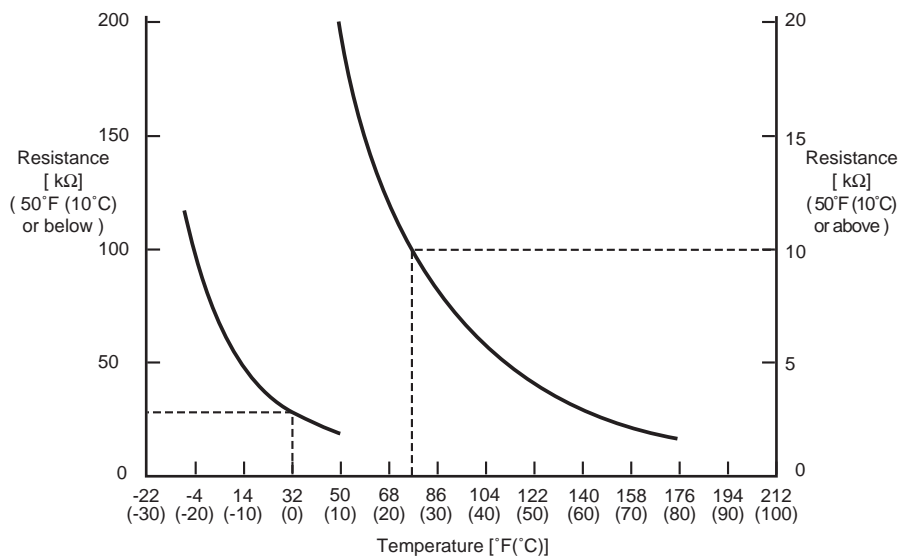
Temperature [°F (°C)]	Resistance [kΩ]
32 (0)	33.8
41 (5)	26.1
50 (10)	20.4
59 (15)	16.0
68 (20)	12.6
77 (25)	10.0
86 (30)	8.0
95 (35)	6.4
104 (40)	5.2
113 (45)	4.2
122 (50)	3.5
131 (55)	2.8
140 (60)	2.3

Indoor TC1 sensor



Temperature [°F (°C)]	Resistance [kΩ]
-4 (-20)	98.3
5 (-15)	73.7
14 (-10)	55.8
23 (-5)	42.6
32 (0)	32.8
41 (5)	25.5
50 (10)	20.0
59 (15)	15.7
68 (20)	12.5
77 (25)	10.0
86 (30)	8.1
95 (35)	6.5
104 (40)	5.3
113 (45)	4.4
122 (50)	3.6
131 (55)	3.0
140 (60)	2.5
149 (65)	2.1
158 (70)	1.7
167 (75)	1.5
176 (80)	1.2
185 (85)	1.1
194 (90)	0.9
203 (95)	0.8
212 (100)	0.7

Indoor TC2 and TCJ, TOA, FS unit TCS sensor



Temperature [°F (°C)]	Resistance [kΩ]
-4 (-20)	102.9
5 (-15)	76.6
14 (-10)	57.7
23 (-5)	44.0
32 (0)	38.8
41 (5)	26.1
50 (10)	20.4
59 (15)	16.0
68 (20)	12.6
77 (25)	10.0
86 (30)	8.0
95 (35)	6.4
104 (40)	5.2
113 (45)	4.2
122 (50)	3.5
131 (55)	2.8
140 (60)	2.3
149 (65)	1.9
158 (70)	1.6
167 (75)	1.4
176 (80)	1.2

## 9-11. Pressure sensor output check

### Outdoor Unit

#### ▼ Pd sensor characteristics

0 to 639 psi (4.41 MPa) (0.5 to 5 V output for 0 to 639 psi (4.41 MPa))

Voltage readings across pins 2 and 3 of CN501 on indoor unit main P.C. board (with negative-side probe of multimeter placed on pin 3)

VOLT (V)	Pd (MPa)	Pd (psi)	VOLT (V)	Pd (MPa)	Pd (psi)	VOLT (V)	Pd (MPa)	Pd (psi)	VOLT (V)	Pd (MPa)	Pd (psi)	VOLT (V)	Pd (MPa)	Pd (psi)
0.00	0.00	0	1.00	0.49	71	1.99	1.46	212	2.99	2.44	354	3.98	3.42	496
0.02	0.00	0	1.02	0.51	74	2.01	1.48	215	3.01	2.46	357	4.00	3.44	499
0.04	0.00	0	1.04	0.53	77	2.03	1.50	218	3.03	2.48	360	4.02	3.45	500
0.06	0.00	0	1.06	0.54	78	2.05	1.52	220	3.05	2.50	363	4.04	3.48	505
0.08	0.00	0	1.07	0.56	81	2.07	1.54	223	3.07	2.52	365	4.06	3.49	506
0.10	0.00	0	1.09	0.58	84	2.09	1.56	226	3.09	2.54	368	4.08	3.51	509
0.12	0.00	0	1.11	0.60	87	2.11	1.58	229	3.11	2.56	371	4.10	3.53	512
0.14	0.00	0	1.13	0.62	90	2.13	1.60	232	3.13	2.57	373	4.12	3.55	515
0.16	0.00	0	1.15	0.64	93	2.15	1.62	235	3.15	2.59	376	4.14	3.57	518
0.18	0.00	0	1.17	0.66	96	2.17	1.64	238	3.16	2.61	378	4.16	3.59	521
0.20	0.00	0	1.19	0.68	99	2.19	1.66	241	3.18	2.63	381	4.18	3.61	523
0.22	0.00	0	1.21	0.70	102	2.21	1.67	242	3.20	2.65	384	4.20	3.63	526
0.23	0.00	0	1.23	0.72	104	2.23	1.69	245	3.22	2.67	387	4.22	3.65	529
0.25	0.00	0	1.25	0.74	107	2.25	1.71	248	3.24	2.69	390	4.24	3.67	532
0.27	0.00	0	1.27	0.76	110	2.27	1.73	251	3.26	2.71	393	4.26	3.69	535
0.29	0.00	0	1.29	0.77	112	2.29	1.75	254	3.28	2.73	396	4.28	3.70	537
0.31	0.00	0	1.31	0.79	115	2.31	1.77	257	3.30	2.75	399	4.30	3.72	539
0.33	0.00	0	1.33	0.81	117	2.32	1.79	260	3.32	2.77	402	4.32	3.74	542
0.35	0.00	0	1.35	0.83	120	2.34	1.81	262	3.34	2.79	405	4.34	3.76	545
0.37	0.00	0	1.37	0.85	123	2.36	1.83	265	3.36	2.80	406	4.36	3.78	548
0.39	0.00	0	1.39	0.87	126	2.38	1.85	268	3.38	2.82	409	4.38	3.80	551
0.41	0.00	0	1.41	0.89	129	2.40	1.87	271	3.40	2.84	412	4.40	3.82	554
0.43	0.00	0	1.43	0.91	132	2.42	1.89	274	3.42	2.86	415	4.41	3.84	557
0.45	0.00	0	1.45	0.93	135	2.44	1.90	276	3.44	2.88	418	4.43	3.86	560
0.47	0.00	0	1.47	0.95	138	2.46	1.92	278	3.46	2.90	421	4.45	3.88	563
0.49	0.00	0	1.48	0.97	141	2.48	1.94	281	3.48	2.92	423	4.47	3.90	566
0.51	0.01	1	1.50	0.99	144	2.50	1.96	284	3.50	2.94	426	4.49	3.92	568
0.53	0.03	4	1.52	1.00	145	2.52	1.98	287	3.52	2.96	429	4.51	3.93	570
0.55	0.05	7	1.54	1.02	148	2.54	2.00	290	3.54	2.98	432	4.53	3.95	573
0.57	0.07	10	1.56	1.04	151	2.56	2.02	293	3.56	3.00	435	4.55	3.97	576
0.59	0.08	12	1.58	1.06	154	2.58	2.04	296	3.57	3.02	438	4.57	3.99	579
0.61	0.10	15	1.60	1.08	157	2.60	2.06	299	3.59	3.03	439	4.59	4.01	581
0.63	0.12	17	1.62	1.10	160	2.62	2.08	302	3.61	3.05	442	4.61	4.03	584
0.65	0.14	20	1.64	1.12	162	2.64	2.10	305	3.63	3.07	445	4.63	4.05	587
0.66	0.16	23	1.66	1.14	165	2.66	2.12	307	3.65	3.09	448	4.65	4.07	590
0.68	0.18	26	1.68	1.16	168	2.68	2.13	309	3.67	3.11	451	4.67	4.09	593
0.70	0.20	29	1.70	1.18	171	2.70	2.15	312	3.69	3.13	454	4.69	4.11	596
0.72	0.22	32	1.72	1.20	174	2.72	2.17	315	3.71	3.15	457	4.71	4.13	599
0.74	0.24	35	1.74	1.21	175	2.73	2.19	318	3.73	3.17	460	4.73	4.15	602
0.76	0.26	38	1.76	1.23	178	2.75	2.21	320	3.75	3.19	463	4.75	4.16	603
0.78	0.28	41	1.78	1.25	181	2.77	2.23	323	3.77	3.21	465	4.77	4.18	606
0.80	0.30	44	1.80	1.27	184	2.79	2.25	326	3.79	3.23	468	4.79	4.20	609
0.82	0.31	45	1.82	1.29	187	2.81	2.27	329	3.81	3.25	471	4.81	4.22	612
0.84	0.33	48	1.84	1.31	190	2.83	2.29	332	3.83	3.26	473	4.82	4.24	615
0.86	0.35	51	1.86	1.33	193	2.85	2.31	335	3.85	3.28	476	4.84	4.26	618
0.88	0.37	54	1.88	1.35	196	2.87	2.33	338	3.89	3.30	479	4.86	4.28	621
0.90	0.39	57	1.90	1.37	199	2.89	2.35	341	3.89	3.32	481	4.88	4.30	624
0.92	0.41	59	1.91	1.39	202	2.91	2.36	342	3.91	3.34	484	4.90	4.32	626
0.94	0.43	62	1.93	1.41	204	2.93	2.38	345	3.93	3.36	487	4.92	4.34	629
0.96	0.45	65	1.95	1.43	207	2.95	2.40	348	3.95	3.38	490	4.94	4.36	632
0.98	0.47	68	1.97	1.44	209	2.97	2.42	351	3.97	3.40	493	4.96	4.38	635
												4.98	4.39	637

## Outdoor Unit

### ▼ Ps sensor characteristics

0 to 215 psi (1.47 MPa) (0.5 to 5 V output for 0 to 215 psi (1.47 MPa))

Voltage readings across pins 2 and 3 of CN500 on indoor unit main P.C. board (with negative-side probe of multimeter placed on pin 3)

VOLT (V)	Ps (MPa)	Ps (psi)	VOLT (V)	Ps (MPa)	Ps (psi)	VOLT (V)	Ps (MPa)	Ps (psi)	VOLT (V)	Ps (MPa)	Ps (psi)	VOLT (V)	Ps (MPa)	Ps (psi)
0.00	0.00	0	1.00	0.16	23	1.99	0.49	71	2.99	0.81	117	3.98	1.14	165
0.02	0.00	0	1.02	0.17	25	2.01	0.49	71	3.01	0.82	119	4.00	1.15	167
0.04	0.00	0	1.04	0.18	26	2.03	0.50	73	3.03	0.83	120	4.02	1.15	167
0.06	0.00	0	1.06	0.18	26	2.05	0.51	74	3.05	0.83	120	4.04	1.16	168
0.08	0.00	0	1.07	0.19	28	2.07	0.51	74	3.07	0.84	122	4.06	1.17	170
0.10	0.00	0	1.09	0.19	28	2.09	0.52	75	3.09	0.85	123	4.08	1.17	170
0.12	0.00	0	1.11	0.20	29	2.11	0.53	77	3.11	0.85	123	4.10	1.18	171
0.14	0.00	0	1.13	0.21	30	2.13	0.53	77	3.13	0.86	125	4.12	1.18	171
0.16	0.00	0	1.15	0.21	30	2.15	0.54	78	3.15	0.86	125	4.14	1.19	173
0.18	0.00	0	1.17	0.22	32	2.17	0.55	80	3.16	0.87	126	4.16	1.20	174
0.20	0.00	0	1.19	0.23	33	2.19	0.55	80	3.18	0.88	128	4.18	1.20	174
0.22	0.00	0	1.21	0.23	33	2.21	0.56	81	3.20	0.88	128	4.20	1.21	175
0.23	0.00	0	1.23	0.24	35	2.23	0.56	81	3.22	0.89	129	4.22	1.22	177
0.25	0.00	0	1.25	0.25	36	2.25	0.57	83	3.24	0.90	131	4.24	1.22	177
0.27	0.00	0	1.27	0.25	36	2.27	0.58	84	3.26	0.90	131	4.26	1.23	178
0.29	0.00	0	1.29	0.26	38	2.29	0.58	84	3.28	0.91	132	4.28	1.24	180
0.31	0.00	0	1.31	0.26	38	2.31	0.59	86	3.30	0.92	133	4.30	1.24	180
0.33	0.00	0	1.33	0.27	39	2.32	0.60	87	3.32	0.92	133	4.32	1.25	181
0.35	0.00	0	1.35	0.28	41	2.34	0.60	87	3.34	0.93	135	4.34	1.25	181
0.37	0.00	0	1.37	0.28	41	2.36	0.61	88	3.36	0.94	136	4.36	1.26	183
0.39	0.00	0	1.39	0.29	42	2.38	0.62	90	3.38	0.94	136	4.38	1.27	184
0.41	0.00	0	1.41	0.30	44	2.40	0.62	90	3.40	0.95	138	4.40	1.27	184
0.43	0.00	0	1.43	0.30	44	2.42	0.63	91	3.42	0.95	138	4.41	1.28	186
0.45	0.00	0	1.45	0.31	45	2.44	0.64	93	3.44	0.96	139	4.43	1.29	187
0.47	0.00	0	1.47	0.32	46	2.46	0.64	93	3.46	0.97	141	4.45	1.29	187
0.49	0.00	0	1.48	0.32	46	2.48	0.65	94	3.48	0.97	141	4.47	1.30	189
0.51	0.00	0	1.50	0.33	48	2.50	0.65	94	3.50	0.98	142	4.49	1.31	190
0.53	0.01	1	1.52	0.34	49	2.52	0.66	96	3.52	0.99	144	4.51	1.31	190
0.55	0.02	3	1.54	0.34	49	2.54	0.67	97	3.54	0.99	144	4.53	1.32	191
0.57	0.02	3	1.56	0.35	51	2.56	0.67	97	3.56	1.00	145	4.55	1.32	191
0.59	0.03	4	1.58	0.35	51	2.58	0.68	99	3.57	1.01	146	4.57	1.33	193
0.61	0.03	4	1.60	0.36	52	2.60	0.69	100	3.59	1.01	146	4.59	1.34	194
0.63	0.04	6	1.62	0.37	54	2.62	0.69	100	3.61	1.02	148	4.61	1.34	194
0.65	0.05	7	1.64	0.37	54	2.64	0.70	102	3.63	1.02	148	4.63	1.35	196
0.66	0.05	7	1.66	0.38	55	2.66	0.71	103	3.65	1.03	149	4.65	1.36	197
0.68	0.06	9	1.68	0.39	57	2.68	0.71	103	3.67	1.04	151	4.67	1.36	197
0.70	0.07	10	1.70	0.39	57	2.70	0.72	104	3.69	1.04	151	4.69	1.37	199
0.72	0.07	10	1.72	0.40	58	2.72	0.72	104	3.71	1.05	152	4.71	1.38	200
0.74	0.08	12	1.74	0.41	59	2.73	0.73	106	3.73	1.06	154	4.73	1.38	200
0.76	0.09	13	1.76	0.41	59	2.75	0.74	107	3.75	1.06	154	4.75	1.39	202
0.78	0.09	13	1.78	0.42	61	2.77	0.74	107	3.77	1.07	155	4.77	1.39	202
0.80	0.10	15	1.80	0.42	61	2.79	0.75	109	3.79	1.08	157	4.79	1.40	203
0.82	0.11	16	1.82	0.43	62	2.81	0.76	110	3.81	1.08	157	4.81	1.41	204
0.84	0.11	16	1.84	0.44	64	2.83	0.76	110	3.83	1.09	158	4.82	1.41	204
0.86	0.12	17	1.86	0.44	64	2.85	0.77	112	3.85	1.09	158	4.84	1.42	206
0.88	1.12	18	1.88	0.45	65	2.87	0.78	113	3.89	1.10	160	4.86	1.43	207
0.90	0.13	??	1.90	0.46	67	2.89	0.78	113	3.89	1.11	161	4.88	1.43	207
0.92	0.14	20	1.91	0.46	67	2.91	0.79	115	3.91	1.11	161	4.90	1.44	209
0.94	0.14	20	1.93	0.47	68	2.93	0.79	115	3.93	1.12	162	4.92	1.45	210
0.96	0.15	22	1.95	0.48	70	2.95	0.80	116	3.95	1.13	164	4.94	1.45	210
0.98	0.16	23	1.97	0.48	70	2.97	0.81	117	3.97	1.13	164	4.96	1.46	212
												4.98	1.47	213

# 10 BACKUP OPERATION (EMERGENCY OPERATION)

This product offers backup modes of operation to tide over certain emergency situations. If a fault occurs in one of the compressors, it is possible to operate the system on an emergency basis by operating only the remaining compressor, (compressor backup operation).

If one of the outdoor units fails in a combined outdoor unit system, the system can be operated on an emergency basis by keeping only the remaining outdoor unit(s), (outdoor unit backup operation).

Perform backup operation setting in accordance with the procedure described below.

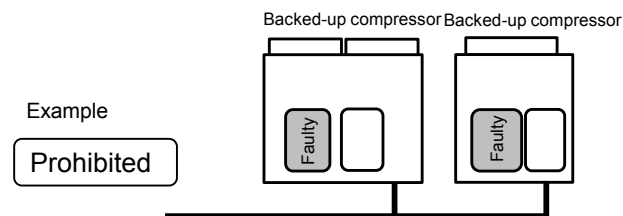
## 10-1. Note for Backup Operation

The method of backup operation differs according to the contents of fault as shown in the table below.

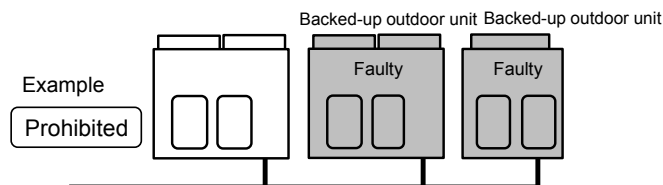
Contents of fault	Method of backup operation	Setting procedure
One of the compressors in the same unit fails (see Note 1)	Compressor backup (see Note 2)	Go to 10-2.
All the compressors in the same unit fail	Outdoor unit backup or cooling-season outdoor unit backup (see Notes 1, 3, 4 and 5)	Go to 10-3. or 10-4.
A fault occurs in a compressor motor coil (e.g. a layer short-circuit)		
A fault occurs in a refrigerating cycle part, fan or related part, or electrical part		
A fault occurs in a temperature sensor or pressure sensor		

**Note 1:** If the compressor has failed due to a fault in its motor coil (e.g. a layer short-circuit), do not perform compressor backup operation because of severe oil degradation. It could damage other outdoor units.

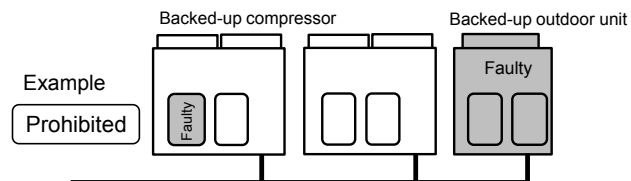
**Note 2:** Keep the number of backed-up outdoor units under compressor backup operation to one in the system (single refrigerant line).



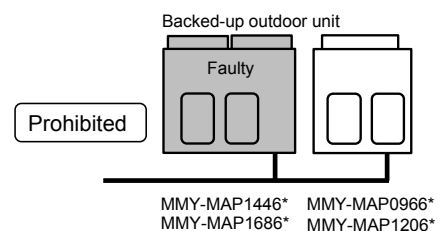
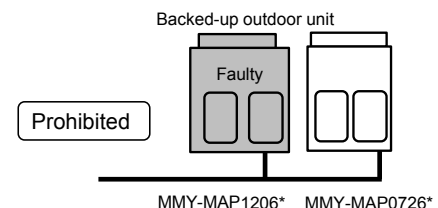
**Note 3:** Keep the number of backed-up outdoor units under outdoor unit backup operation to one in the system (single refrigerant line).



**Note 4:** It is prohibited to combine compressor backup operation and outdoor unit backup operation.



**Note 5:** When the chassis of different size are combined, do not perform back up operation to the large size chassis.





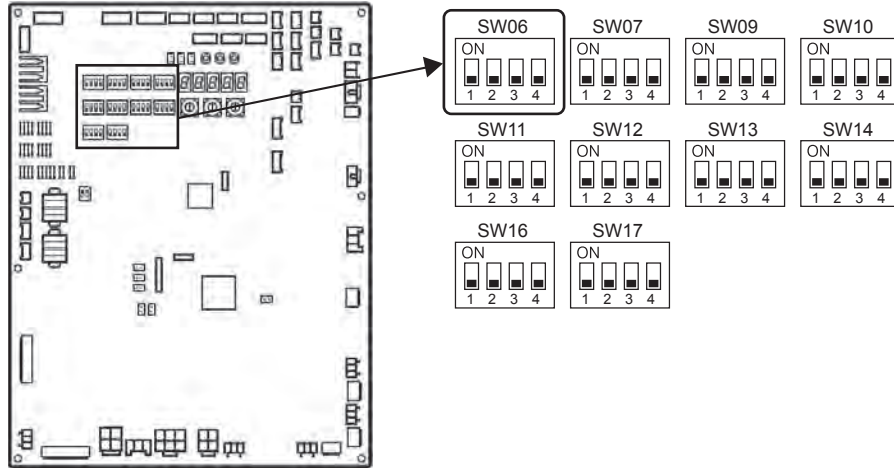
## 10-2. Compressor Backup Operation Setting

### <Outline>

If a fault occurs to one of the compressors installed in outdoor unit, follow the procedure described below to back up the faulty compressor by using the remaining, normal compressor.

### <Work Procedure>

- Turn off the power supply to all the outdoor units connected to the system.
- Set the DIP switches of SW06, provided on the interface P.C. board of the outdoor unit with the faulty compressor, as shown in the table below.



Two-compressor model	SW06			
	Bit 1	Bit 2	Bit 3	Bit 4
Factory default setting	OFF	OFF	OFF	OFF
When compressor No.1 (front left) is faulty	ON	OFF	OFF	OFF
When compressor No.2 (front right) is faulty	OFF	ON	OFF	OFF

- Change the connection of FAN Power cable and I/F Board.

The work depends on the shape of the Comp board.

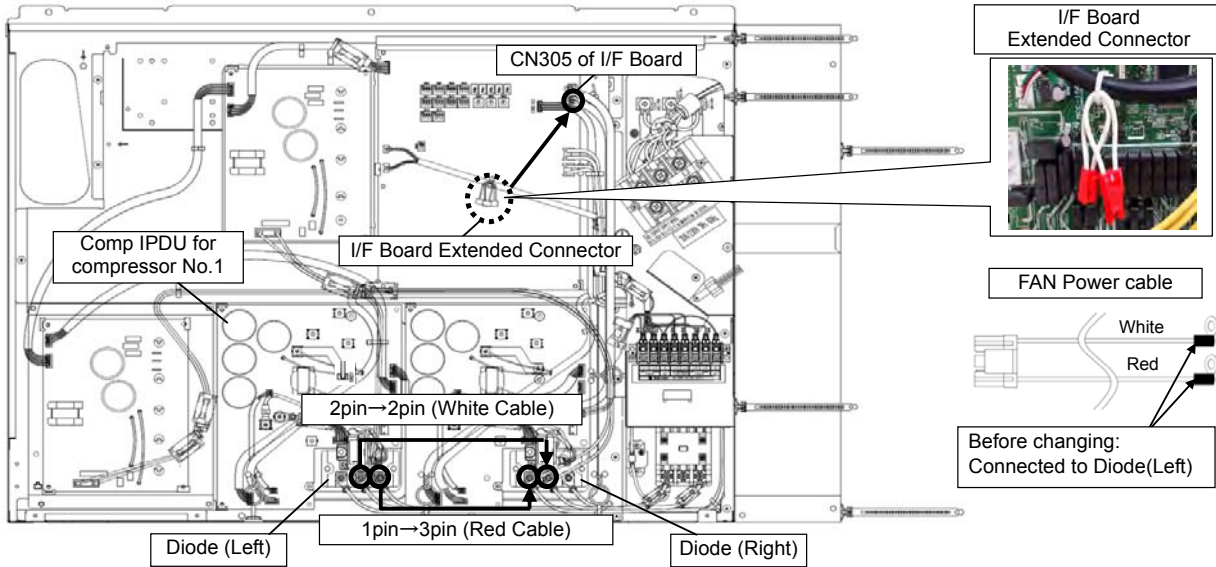
Please refer to the figure below and perform necessary work.

	Comp Board and Diode Bridge are separated	Comp Board and Diode Bridge are unseparated
Figure		
Action	<p><b><u>It is necessary to connection change of FAN Power cable and I/F board.</u></b></p> <p><b><u>Proceed to (4).</u></b></p>	<p><b><u>The task in section 10-2 is complete.</u></b></p> <p><b><u>Proceed to section 10-3.</u></b></p>

(4) FAN Power cable connection change

(4)-1. When compressor No.1 (front left) is fail :

Change the connection of "FAN Power cable which is connected to Diode(Left)" and "CN305 of I/F Board".

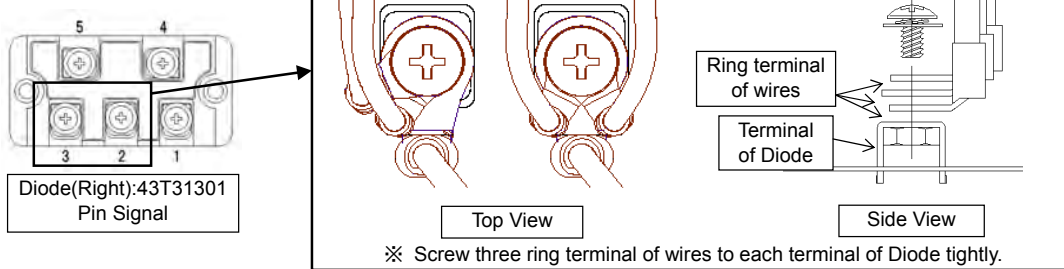


• FAN Power cable Setting

Change the Connection of FAN Power cable which is connected to Diode(Left) as shown in below.

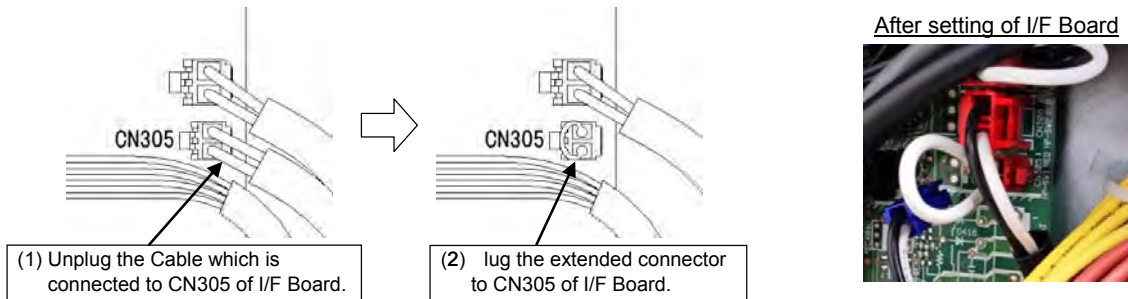
Diode (Left)		Connection Change	Diode (Right)	
Pin signal	FAN Power cable		Pin signal	AC Power line
1 pin	Red Cable	→	1 pin	Red Cable
2 pin	White Cable		2 pin	White Cable
3 pin	—		3 pin	Black Cable

After setting of FAN Power cable



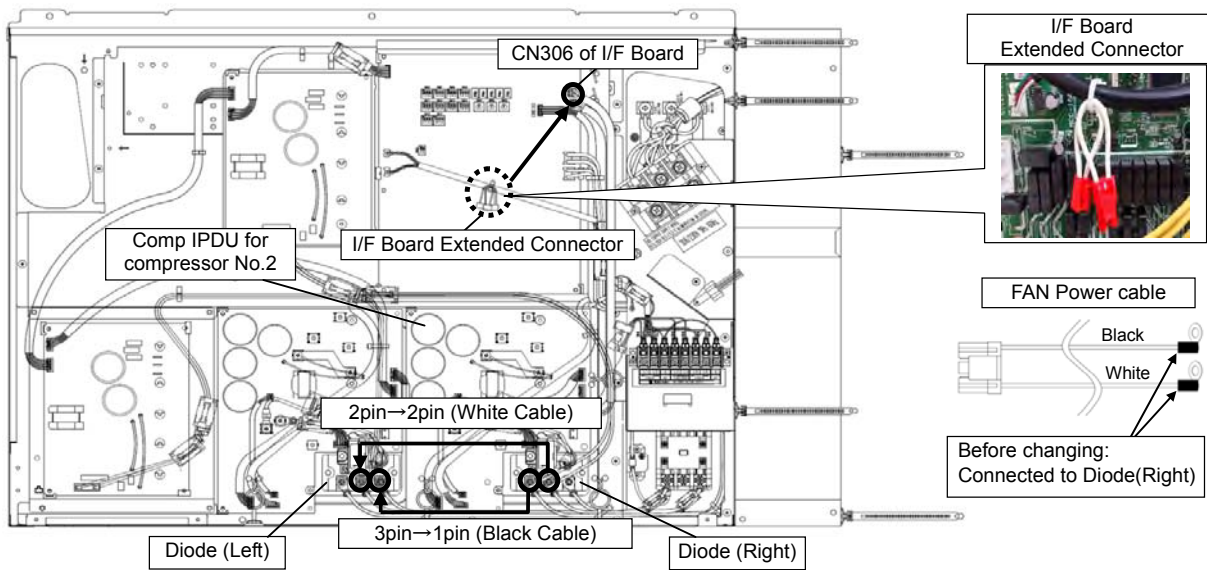
• I/F Board Setting

Change the connection of wiring which is connected to CN305 of I/F Board.



(4)-2. When compressor No.2 (front right) is fail :

Change the connection of "FAN Power cable which is connected to Diode(Right)" and "CN306 of I/F Board".

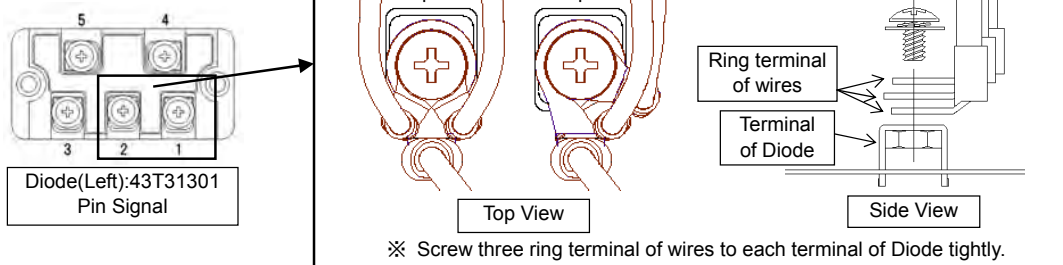


• FAN Power cable Setting

Change the Connection of FAN Power cable which is connected to Diode(Right) as shown in below.

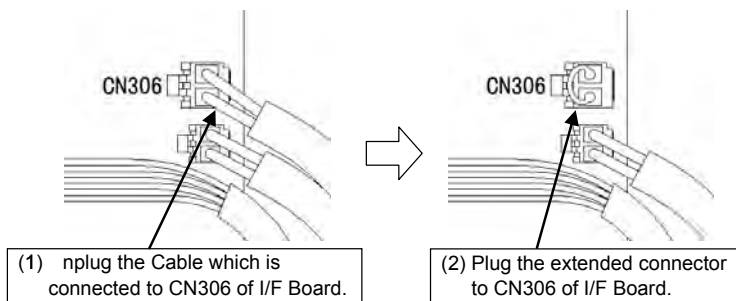
Diode (Left)		Connection Change	Diode (Right)	
Pin signal	AC Power line		Pin signal	FAN Power cable
1pin	Red Cable	←	1pin	—
2pin	White Cable		2pin	White Cable
3pin	Black Cable		3pin	Black Cable

After setting of FAN Power cable



• I/F Board Setting

Change the connection of wiring which is connected to CN306 of I/F Board.



After setting of I/F Board



**the reason to change connection of FAN Power cable, refer to "Additional notes" on next page.**

## Additional notes

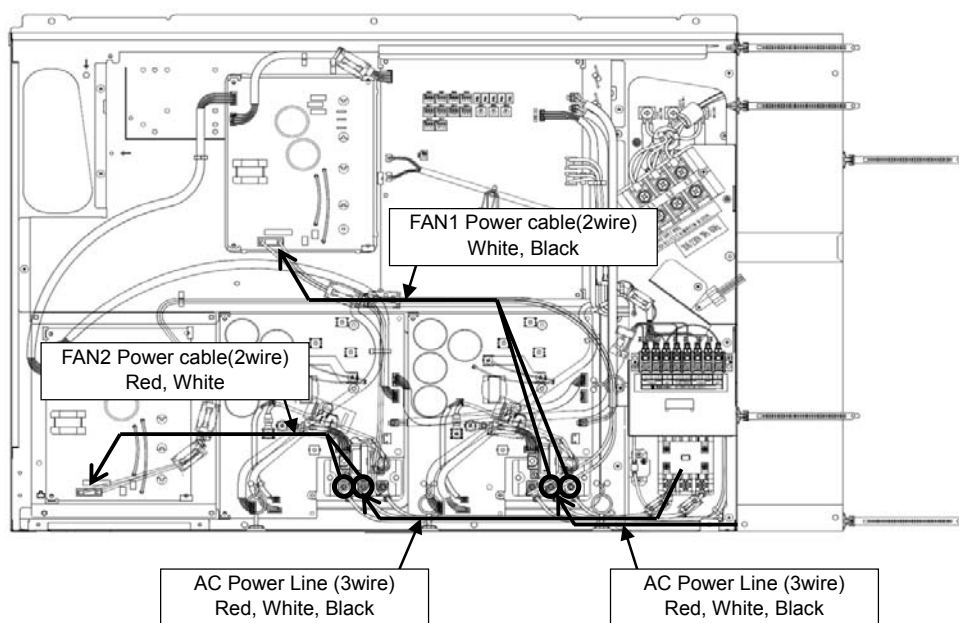
The FAN Power cable is a cable for supplying power to the fan board.

It is connected between the Diode Bridge (Diode (Left) and Diode (Right)) for COMP board and the CN500 on the FAN board.

There are two FAN power cables, the color identification of the wiring is different according to the connection power supply phase sequence of default settings. (default settings ... L1=Red, L2=White, L3=Black)

The following shows the default connection of the fan power cable.

### Default connection of FAN Power cable



When performing compressor backup, since the target diode bridge is not supplied with power, you need to change the connection point of the FAN Power cable.

When changing the connection point of the FAN Power cable with the backup, the connection is made to a place different from the default connection.

## 10-3. Outdoor Unit Backup Operation Setting

### <Outline>

This product allows outdoor unit backup operation setting to be performed either at the header unit or a follower unit. If any of the fault modes specified below occurs to one of the outdoor units in a multi-outdoor unit system, proceed with outdoor unit backup operation.

- A compressor failure (e.g. a layer short-circuit or a compressor failure in which no compressor is available to back up the faulty compressor)
- A failure of a pressure sensor (PD or PS) or a temperature sensor (TD1, TD2, TS1, TS2, TE1, TE2, TK1, TK2, TK4, TK5 or TL1)

**Note:** Keep the number of backed-up outdoor units to one in the system (single refrigerant line).

### 10-3-1. Follower outdoor unit backup operation setting (failure of follower outdoor unit)

#### <Work procedure>

(1) Turn off the power supply to all the indoor and outdoor units connected to the system.

#### [Setup of failed follower outdoor unit]

(2) Fully close the gas pipe service valve of the failed outdoor unit.

(3) Leave the service valves of the liquid and balance pipe fully open (to prevent refrigerant stagnation in the unit).

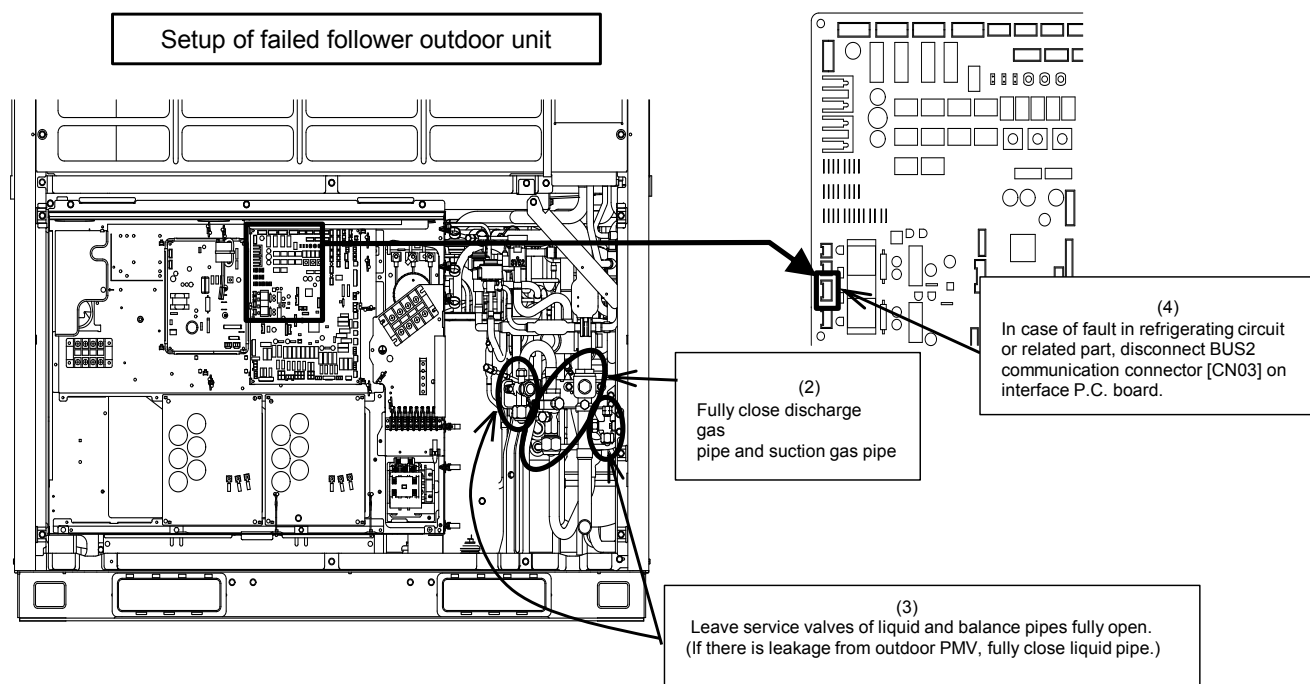
However, if there is a leakage from an outdoor PMV (unable to close), fully close the liquid pipe service valve.

(4) <In case of fault in compressor, electrical part, I/F P.C. board, or IPDU P.C. board>

From this point on, keep the power supply to the failed unit off.

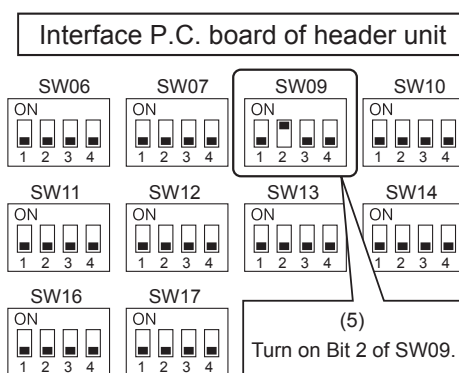
<In case of fault in refrigerating circuit or related part (pressure sensor, temperature sensor, refrigerating cycle part, or fan system part)>

Disconnect the connector [CN03] for outdoor-outdoor communication (BUS2) provided on the interface P.C. board.



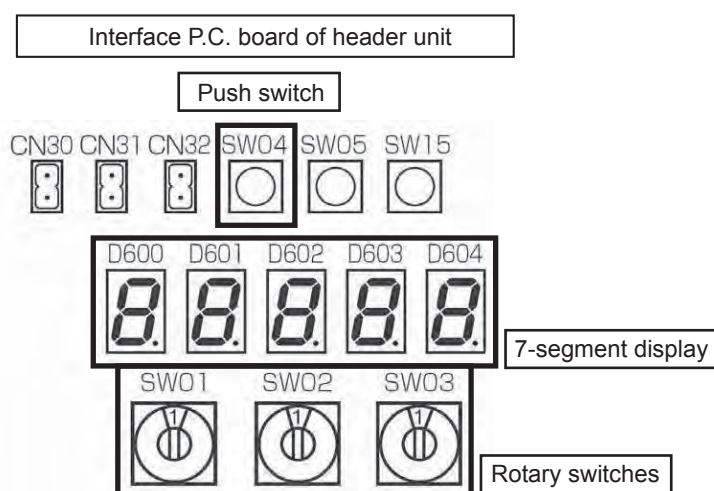
**[Setup of header unit]**

(5) Turn on Bit 2 of SW09 on the interface P.C. board of the header unit.  
 (Setting to prevent connected indoor units capacity over trouble. (E16))



- (6) Turn on the power supply to all the units connected to the system other than the failed follower unit.  
 Determine what to do with the power supply to the failed follower unit in the following manner.  
 <In case of fault in compressor, electrical part, I/F P.C. board, or IPDU P.C. board>  
 Leave the power supply off.  
 <In case of fault in refrigerating circuit or related part (pressure sensor, temperature sensor, refrigerating cycle part, or fan system part)>  
 Turn on the power supply to protect the compressor (by turning on the case heater).  
 (When the power supply to the unit is turned on, [E19] (trouble in the number of outdoor header units) will be displayed on the 7-segment display. However, this will not cause any problems.)
- (7) Perform settings needed to gain permission for backup operation from the header unit (trouble clearance).
- 1) Set SW01/02/03 on the interface P.C. board to 1/1/1 and confirm that [U1] [E26] (dropping out of an outdoor unit) is displayed on the 7-segment display.
  - 2) Set SW01/02/03 on the interface P.C. board to 2/16/1. Upon confirming that [Er] [... ..] is displayed on the 7-segment display, press SW04 and hold for 5 seconds or more.
  - 3) [Er] [... CL] (trouble clearance completed) will be displayed on the 7-segment display.
  - 4) Set SW01/02/03 back to 1/1/1. (The display should change to [U1] [- - -].)

- (7)  
 Set SW01/02/03 to 1/1/1  
 [U1] [E26] will be displayed.  
 ↓  
 Set SW01/02/03 to [2/16/1].  
 [Er] [... ..] will be displayed.  
 ↓  
 Press SW04 and hold for 5 seconds or more  
 [Er] [... CL] will be displayed.  
 ↓  
 Set SW01/02/03 back to 1/1/1.  
 [U1] [- - -] will be displayed.



This is the end of follower outdoor unit backup operation setting. Check the operation.



## 10-3-2. Header outdoor unit backup operation setting (failure of header outdoor unit)

### <Work procedure>

(1) Turn off the power supply to all the units connected to the system at the source.

#### [Setup of failed header outdoor unit]

(2) Fully close the discharge gas pipe and suction gas pipe service valve of the failed outdoor unit.

(3) Leave the service valves of the liquid and balance pipes fully open (to prevent refrigerant stagnation in the failed outdoor unit).

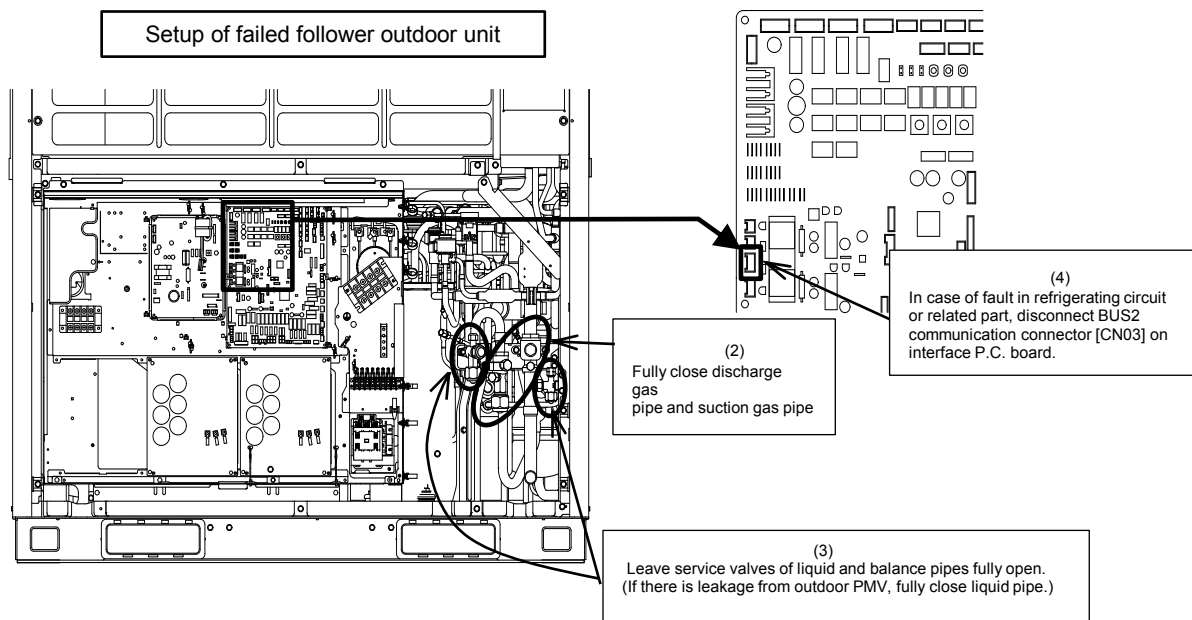
However, if there is a leakage from an outdoor PMV (unable to close), fully close the liquid pipe service valve.

(4) <In case of fault in compressor, electrical part, I/F P.C. board, or IPDU P.C. board>

From this point on, keep the power supply to the failed unit off.

<In case of fault in refrigerating circuit or related part (pressure sensor, temperature sensor, refrigerating cycle part, or fan system part)>

Disconnect the connector [CN03] for outdoor-outdoor communication (BUS2) provided on the interface P.C. board.



**[Selection of new header unit]**

(5) Select a new header unit from the follower units on the basis of the following criteria:

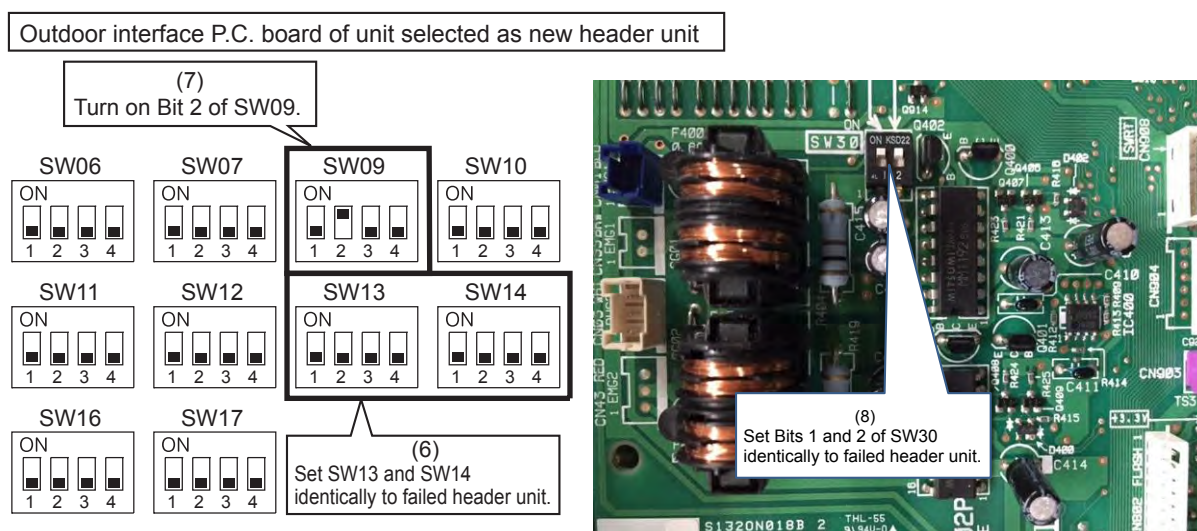
- If only one follower unit is connected, select it as the header unit.
- If two follower units are connected, select the follower unit that is nearest to the failed header unit.

**[Setup of new header unit]**

(6) Set SW13 and SW14 on the interface P.C. board same as the setting of failed header unit (refrigerant line address setting).

(7) Turn on Bit 2 of SW09 on the interface P.C. board. (Setting to prevent connected indoor unit capacity over trouble. (E16))

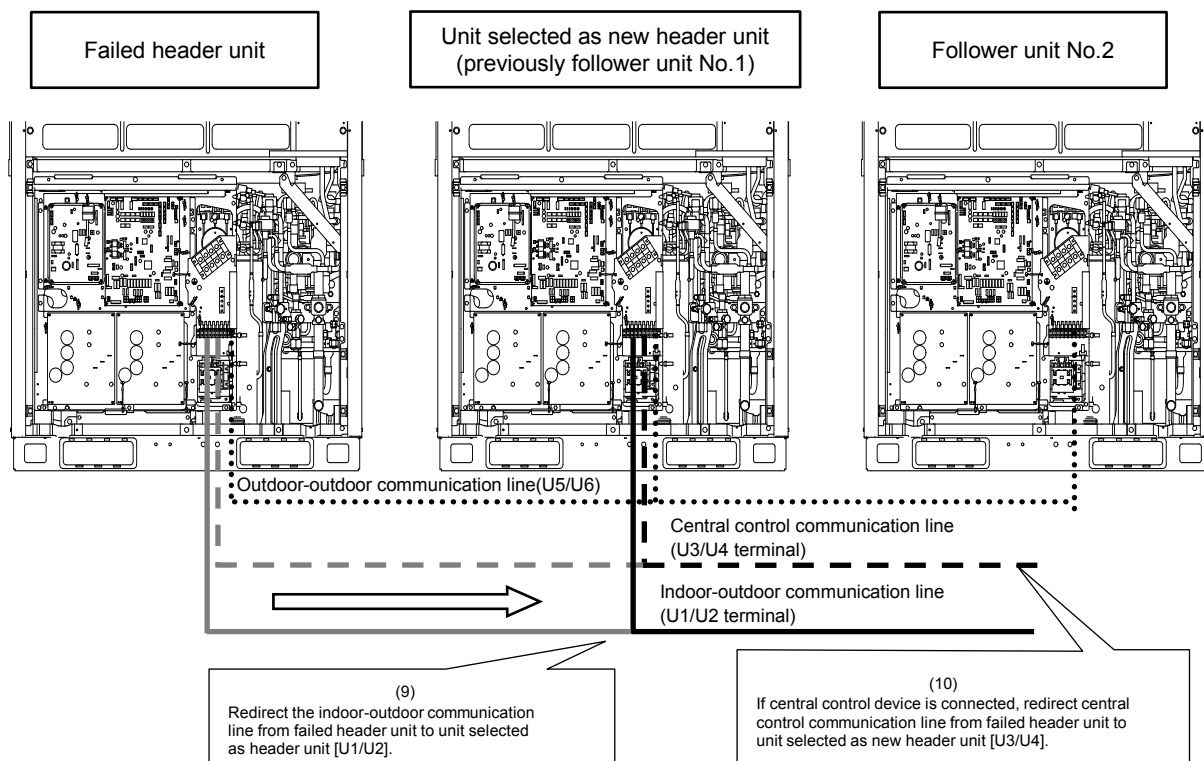
(8) Set Bits 1 and 2 of SW30 on the interface P.C. board same as that of the failed header unit (terminator resistance setting).



**[Wiring changes to communication line]**

(9) Redirect the indoor-outdoor communication line connected to the failed header unit [U1/U2] to the unit selected as the header unit [U1/U2].

(10) If a central control device is connected, connect the central control communication line [U3/U4] to the communication line terminal of the unit selected as the new header unit [U3/U4], and connect up the tie connector between the [U1/U2] and [U3/U4] terminals.





(11) Turn on the power supply to all the units connected to the system other than the failed unit.

Determine what to do with the power supply to the failed unit in the following manner.

<In case of fault in compressor, electrical part, I/F P.C. board, or IPDU P.C. board>

Leave the power supply off.

<In case of fault in refrigerating circuit or related part (pressure sensor, temperature sensor, refrigerating cycle part, or fan system part)>

Turn on the power supply to protect the compressor (by turning on the case heater).

(When the power supply to the unit is turned on, [E19] (trouble in the number of outdoor header units) will be displayed on the 7-segment display. However, this will not cause any problems.)

This is the end of header outdoor unit backup operation setting. Check the operation.

# 11 OUTDOOR UNIT REFRIGERANT RECOVERY METHOD

## 11-1. Refrigerant Recovery from Failed Outdoor Unit (Pump-Down)

This product supports refrigerant pump-down, a function which allows refrigerant to be recovered from an outdoor unit in need of repair using a normal outdoor unit in a system featuring multiple outdoor units.

### 11-1-1. Note for refrigerant recovery operation

When performing pump-down operation, take note of the following matters:

- Note 1:** The pump-down refrigerant recovery rate changes with outside temperature and other factors. After pump-down is completed, recover any residual gas using a refrigerant recovery device, etc., and be sure to measure the amount of recovered refrigerant. (The refrigerant recovery rate can be improved by heating the accumulator of the outdoor unit to be repaired during pump-down operation.)
- Note 2:** If pump-down has been performed, the system cannot be operated until the faulty outdoor unit is repaired. (Continued operation would be impossible due to a refrigerant overcharge.)
- Note 3:** If outdoor PMV1 happen to be troubled (unable to open) or PMV4 fails while fully closed, the refrigerant in the heat exchangers (or sub-heat exchangers) cannot be recovered. In that case, recover any residual gas in the heat exchangers (or sub-heat exchangers) using a tube piercing valve or some other tool. After a pump-down operation, do not perform any brazing until the residual gas in the heat exchangers is recovered.

### 11-1-2. Refrigerant recovery procedure A (Case of no outdoor unit backup operation setting)

#### <Work procedure>

Turn on the power supply to the system at the source, but leave the system switched off.

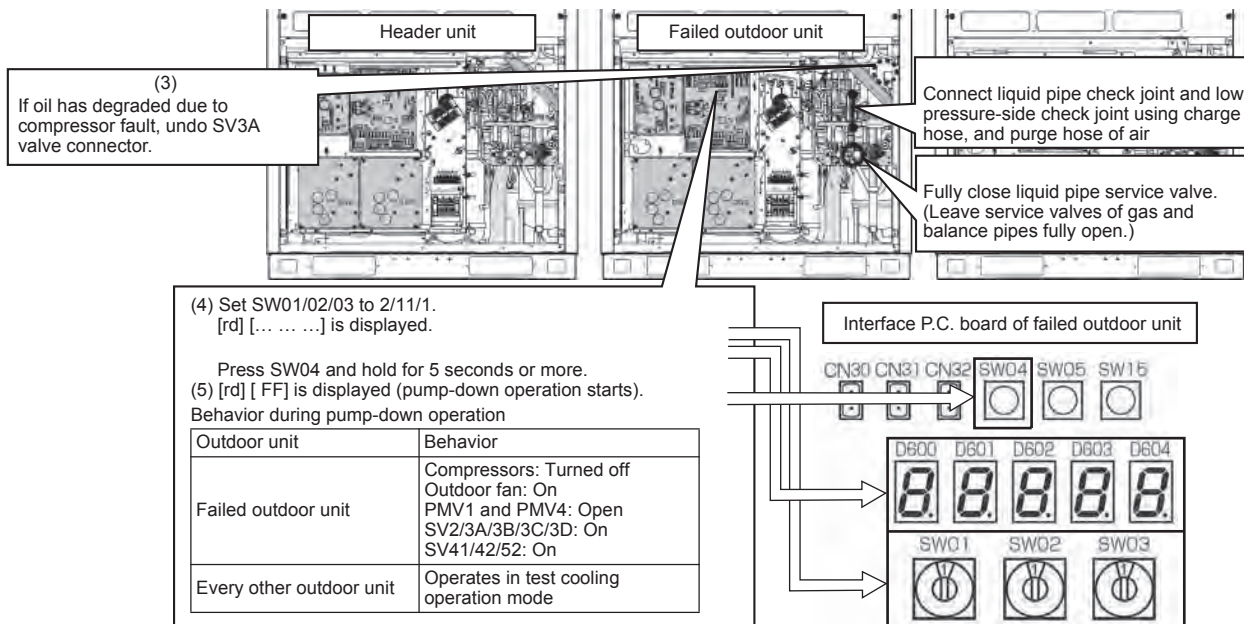
If the trouble involves poor insulation of a compressor motor, remove the motor leads before the power is turned on.

#### [Setup of failed outdoor unit]

- (1) Connect the check joint of liquid pipe and the low pressure-side check joint using a charge hose, and purge the hose of air (to recover refrigerant from the liquid tank and heat exchangers).
- (2) Fully close the liquid pipe service valve of the failed outdoor unit. (Leave the service valves of the gas and balance pipes fully open.)
- (3) If the oil is likely to have degraded due to a compressor trouble, disconnect the SV3A valve connector of the failed outdoor unit (to prevent the degraded oil from flowing into other outdoor units).
- (4) Set SW01/02/03 on the interface P.C. board of the failed outdoor unit to 2/11/1. After [rd] [... ..] is displayed on the 7-segment display, press SW04 and hold for 5 seconds or more.

(5) [rd] [... FF] will be displayed on the 7-segment display, and pump-down operation will start.

\* To put the operation on hold midway, turn off the power supply to all the outdoor units, or press SW05 on the interface P.C. board.

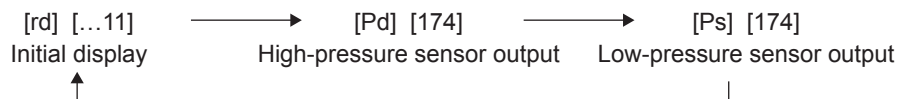


(6) Approx. 10 minutes after the system starts up, fully close the gas pipe service valve of the failed outdoor unit.

(7) Press SW04 of the failed outdoor unit to have pressure data (psi) displayed.

(The display switches each time SW04 is pressed.)

**Display Example**



**[Selection of outdoor unit for pressure adjustment]**

(8) Of all outdoor units operating in the pump-down mode, select the one with the lowest unit No. as an outdoor unit for pressure adjustment.

Identifying Unit No.

The unit No. is the number displayed on the 7-segment display when SW01/02/03 are set to 1/1/1.

([U#] [ - - -]: # represents the unit No.)

**[Setup of outdoor units other than unit for pressure adjustment and failed unit]**

(9) Leaving the balance pipes of the unit for pressure adjustment and the failed unit fully open, fully close the balance pipe service valves of all other outdoor units.

**[Setup of outdoor unit for pressure adjustment]**

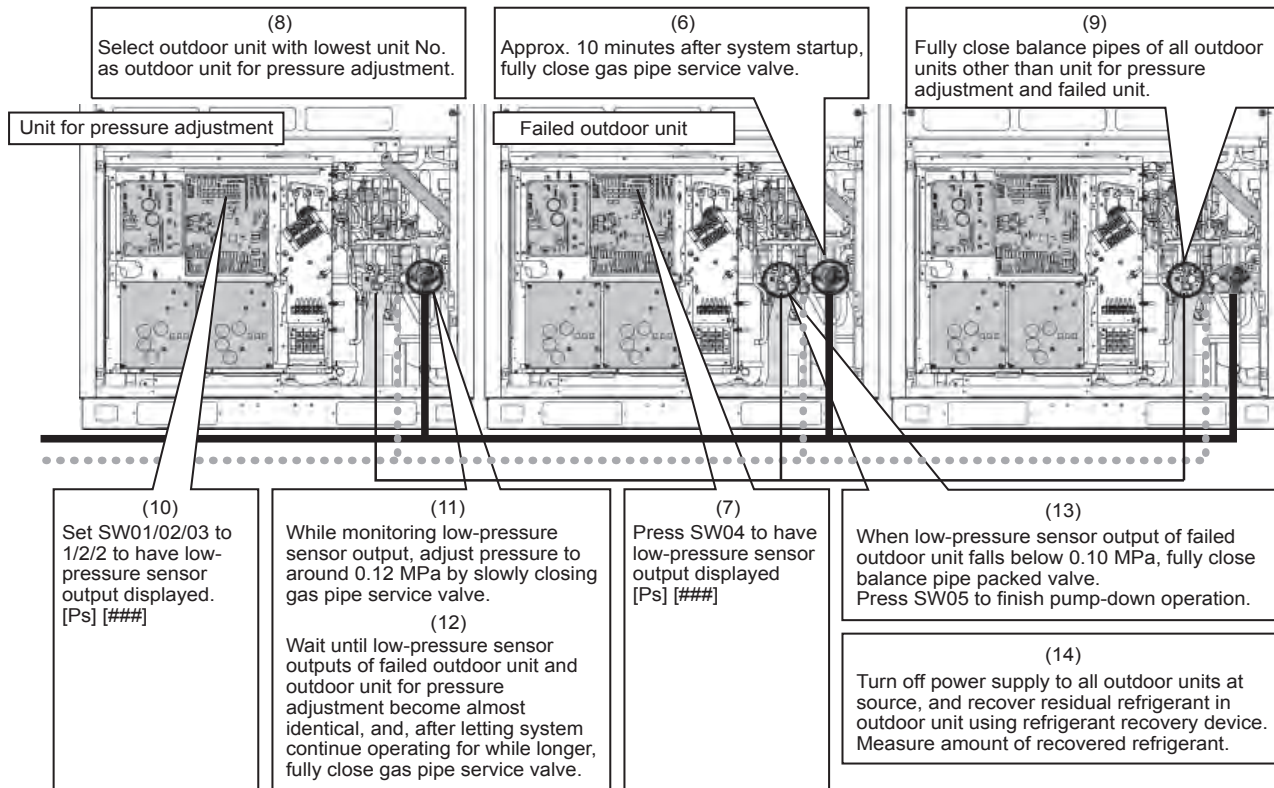
(10) Set SW01/02/03 on the interface P.C. board of the outdoor unit for pressure adjustment to 1/2/2.

(11) As the low-pressure sensor output is displayed on the 7-segment display, adjust the pressure to around 0.12 MPa by slowly closing the gas pipe service valve, with checking pressure data.

(12) Compare the low-pressure sensor outputs of the failed unit with that of the unit for pressure adjustment, and wait until the two pressure readings become almost the same. After letting the system continue operating for a while longer, fully close the gas pipe service valve of the unit for pressure adjustment.

**[Setup of failed outdoor unit]**

- (13) When the low-pressure sensor output of the failed outdoor unit falls below 0.10MPa, fully close the balance pipe packed valve, and press SW05 on the interface P.C. board to finish the pump-down operation.
- (14) Turn off the power supply to all the outdoor units, and recover the residual refrigerant in the outdoor unit using a refrigerant recovery device. Be sure to measure the amount of recovered refrigerant. (This is necessary to determine how much additional refrigerant will be needed after the completion of the repair.)



This is the end of the refrigerant recovery operation.

Set SW01/02/03 of the failed outdoor unit and the outdoor unit for pressure adjustment back to 1/1/1.

### 11-1-3. Refrigerant recovery procedure B (Case of outdoor unit backup operation setting)

#### <Outline>

If outdoor unit backup operation setting is performed, use an alternative refrigerant recovery procedure as described below, provided that the power cannot be turned on for the failed outdoor unit. (Refrigerant will be recovered from the failed outdoor unit using the test cooling operation function.)

**Note 1:** If cooling-season outdoor unit backup operation or outdoor unit backup operation is in progress with the power supply to the failed outdoor unit turned on, follow the procedure described in “11-1-2. Refrigerant recovery procedure A (Case of no outdoor unit backup operation setting)”. If outdoor unit backup operation setting is performed with the power supply to the failed outdoor unit turned on, recovery operation can only start after putting the outdoor-outdoor communication connector on the interface P.C. board of that unit [CN03] back to its initial state and resetting the power supply.

**Note 2:** If the power cannot be turned on the failed outdoor unit, the solenoid valves and PMVs of the unit cannot be turned on, so that it reduces the amount of recovered refrigerant compared to a standard pump-down operation. Recover the residual gas in the unit using a refrigerant recovery device, and be sure to measure the amount of recovered refrigerant.

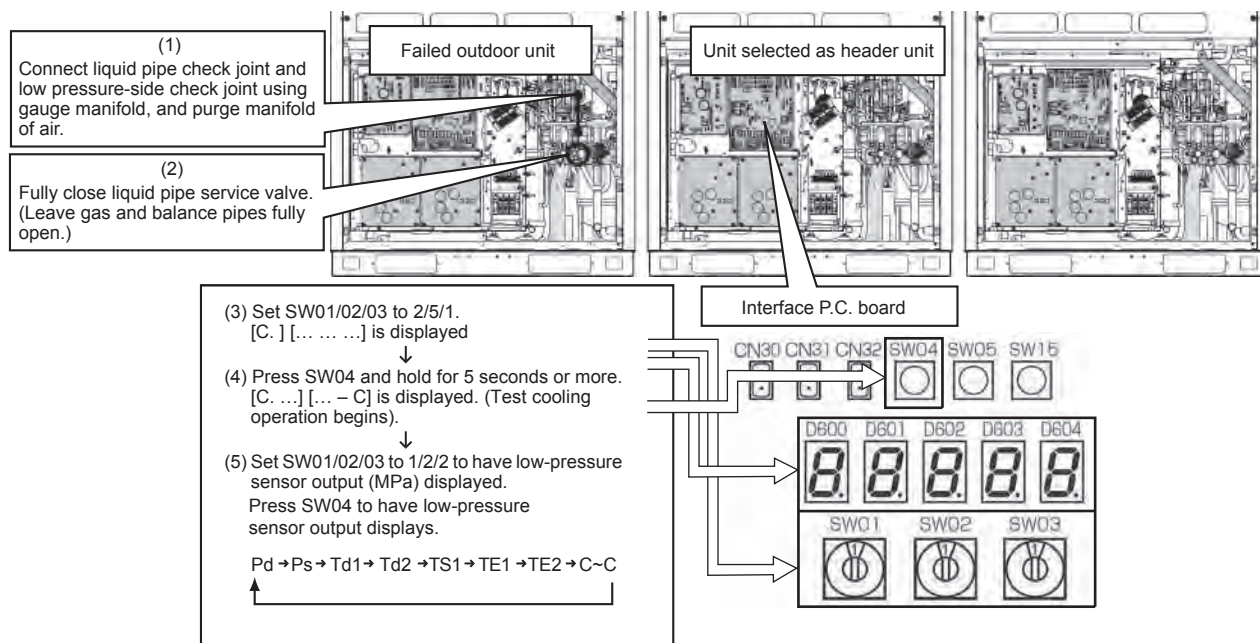
#### <Work procedure>

##### [Setup of failed outdoor unit]

- (1) Connect the liquid pipe check joint and the low pressure-side check joint using a gauge manifold, and purge the manifold of air (to recover refrigerant from the liquid tank and heat exchangers).
- (2) Fully close the liquid pipe packed valve of the failed outdoor unit.  
(Leave the service valve of the gas pipe and the packed valve of the balance pipe fully open.)

##### [Setup of unit selected as header unit (hereafter “header outdoor unit”)]

- (3) Set SW01/02/03 on the interface P.C. board of the header outdoor unit to 2/5/1. After [C. ] [... ..] is displayed on the 7-segment display, press SW04 and hold for 5 seconds or more.
- (4) After [C. ...] [... – C] is displayed on the 7-segment display, the system starts operating in the test cooling operation mode.
- (5) Set SW01/02/03 on the interface P.C. board of the header outdoor unit to 1/2/2 to have the low-pressure sensor output (psi) displayed on the 7-segment display.



- (6) Approx. 10 minutes after the system starts up, fully close the gas pipe service valve of the failed outdoor unit.

##### [Selection of outdoor unit for pressure adjustment]

- (7) Select the header unit as the unit for pressure adjustment.



**[Setup of outdoor units other than header unit and failed unit]**

(8) Leaving the balance pipes of the unit for pressure adjustment and the failed unit fully open, fully close the balance pipe packed valves of all other outdoor units.

**[Setup of header unit]**

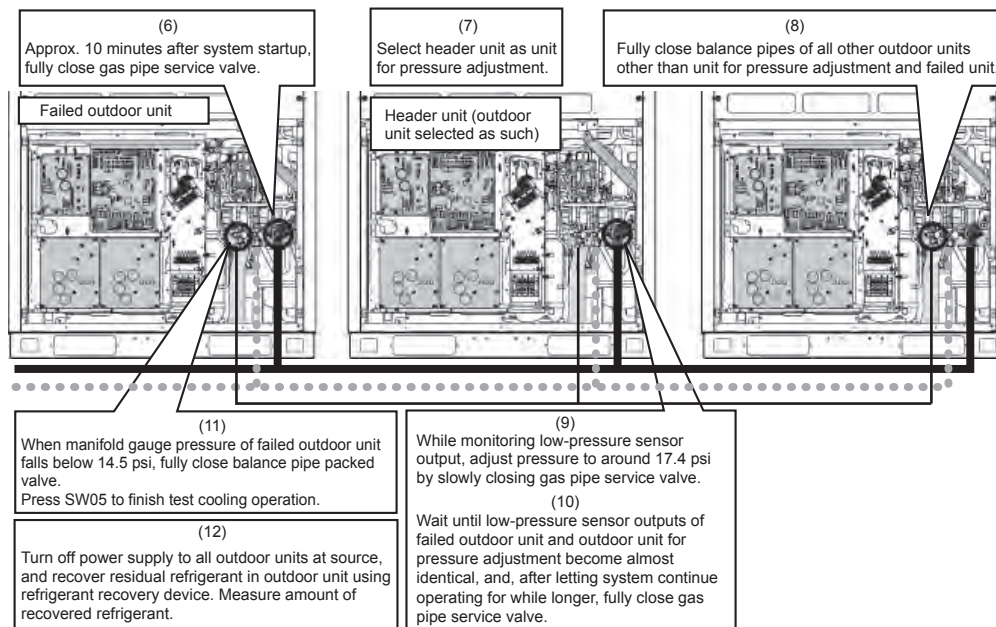
(9) While monitoring the low-pressure sensor output, adjust the pressure to around 17.4 psi by slowly closing the gas pipe service valve.

(10) Compare the manifold gauge pressure of the failed unit with the low-pressure sensor output of the header unit, and wait until the two pressure readings become almost identical. After letting the system continue operating for a while longer, fully close the gas pipe service valve of the unit for pressure adjustment.

**[Setup of failed outdoor unit]**

(11) When the manifold gauge pressure of the failed outdoor unit falls below 14.5 psi, fully close the balance pipe packed valve, and press SW05 on the interface P.C. board to finish the test cooling operation.

(12) Turn off the power supply to all the outdoor units, and recover the residual refrigerant in the outdoor unit using a refrigerant recovery device. Be sure to measure the amount of recovered refrigerant. (This is necessary to determine how much additional refrigerant will be needed after the completion of the repair.)



This is the end of the refrigerant recovery operation.  
Set SW01/02/03 of the header unit back to 1/1/1.

## 11-2. How to Operate System While Failed Outdoor Unit Being Repaired

### <Outline>

After refrigerant is recovered from the failed outdoor unit through a pump-down operation, the overall amount of refrigerant held by the system becomes excessive, and this makes it impossible to operate the remaining outdoor units even though they are not troubled. However, operation is still possible if the system-wide amount of refrigerant is adjusted in accordance with the procedure described below.

### <Work procedure>

- (1) Follow the steps specified in “11-1. Refrigerant Recovery from Failed Outdoor Unit (Pump-Down)”.
- (2) Adjust the amount of refrigerant held by the system by removing some of it using a refrigerant recovery device, etc.

Determine the amount of refrigerant to be removed according to the capacity of the failed outdoor unit. (See the table below.)

**Example:** If a 10 ton outdoor unit is under repair in a 32 ton system:

Amount of refrigerant required by system as it was initially (32 ton in capacity)=101.6 lbs

Amount of refrigerant required by system with available outdoor units only (22 ton in capacity)=75.1 lbs

Amount of refrigerant to be removed from system =101.6 - 75.1= 26.5 lbs

- (3) Set up the outdoor unit from which refrigerant has been recovered in the manner described in “9-3. Outdoor Unit Backup Operation Setting”.

This completes the procedure.

Outdoor unit capacity (ton)	Outdoor unit capacity type (ton)	Combined outdoor units			Type	Adjustment amount of refrigerant (lbs)
		Header	Follower	Follower		
		Outdoor unit	Outdoor unit1	Outdoor unit2		
6	072 type	072 type			Standard Model	28.7
8	096 type	096 type			Standard Model	30.9
10	120 type	120 type			Standard Model	41.9
12	144 type	144 type			Standard Model	48.6
14	168 type	168 type			Standard Model	55.2
16	192 type	096 type	096 type		Standard Model	57.4
		120 type	072 type		Space Saving Model	57.4
18	216type	120 type	096 type		Standard Model	61.8
20	240 type	144 type	096 type		Standard Model	70.7
		120 type	120 type		Space Saving Model	70.7
22	264 type	144 type	120 type		Standard Model	75.1
24	288 type	144 type	144 type		Standard Model	79.5
		168 type	120 type		Space Saving Model	79.5
26	312 type	168 type	144 type		Standard Model	81.7
28	336 type	120 type	120 type	096 type	Standard Model	86.1
		168 type	168 type		Space Saving Model	79.5
30	360 type	120 type	120 type	120 type	Standard Model	97.2
32	384 type	144 type	120 type	120 type	Standard Model	101.6
34	408 type	144 type	144 type	120 type	Standard Model	103.8
36	432 type	144 type	144 type	144 type	Standard Model	106.0
38	456 type	168 type	144 type	144 type	Standard Model	110.4

# 11-3. Work procedure after Repair

When vacuuming in the repaired outdoor unit, follow the procedure described below.

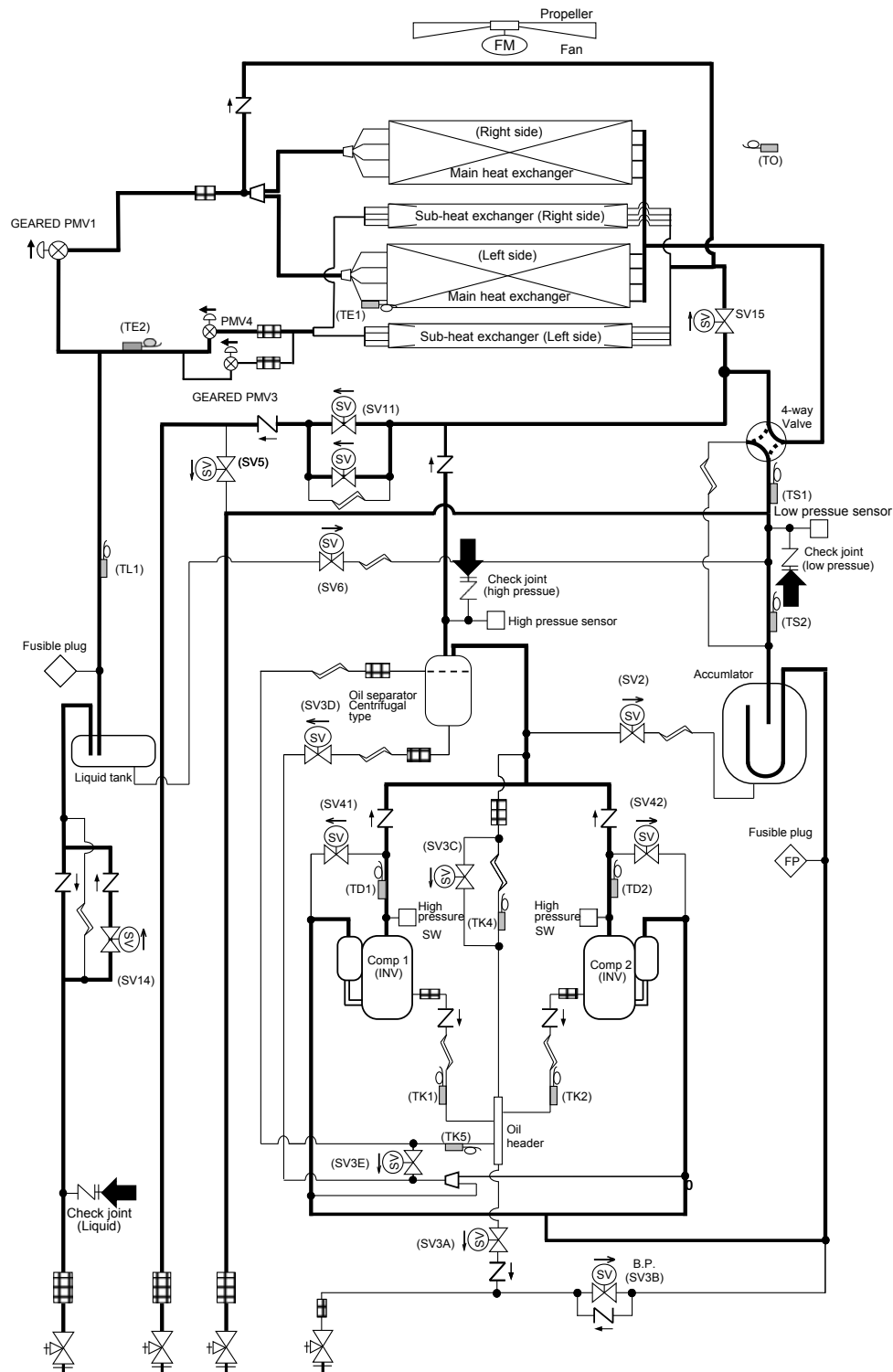
## <Work procedure>

(1) Fully open PMV1 and PMV4 in accordance with the table below.

**Note:** PMV full-opening operation via short-circuiting of the CN30 pins is automatically undone after 2 minutes, causing the valves to fully close. To maintain fully open state, turn off the power switch of the outdoor unit within 2 minutes of the short-circuiting of the CN30 pins.

SW12				CN30	PMV operation
Bit 1	Bit 2	Bit 3	Bit 4		
OFF	OFF	OFF	OFF	Short-circuit	PMV1 fully open for 2 minutes.
OFF	ON	OFF	OFF	Short-circuit	PMV4 fully opens for 2 minutes.

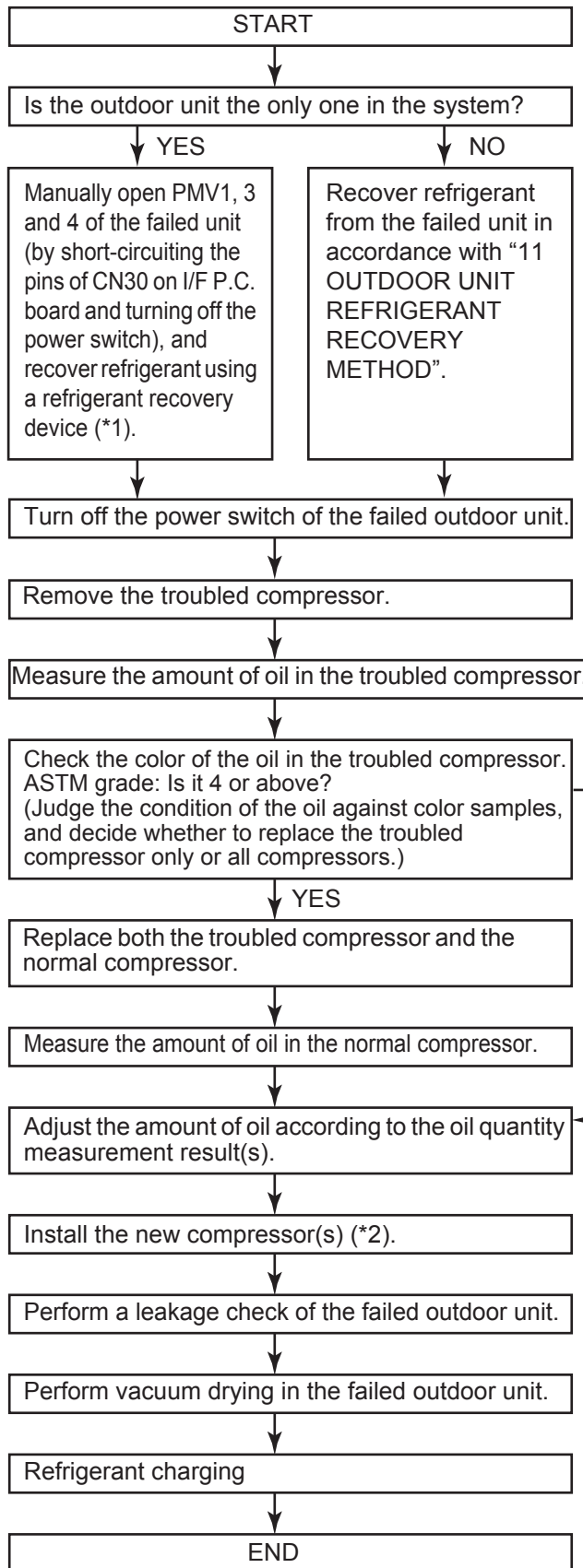
(2) Be sure to perform vacuuming in from the three check joints shown in the diagram below (liquid pipe, discharge pipe and suction pipe).





# 12 REPLACING COMPRESSORS

## 12-1. Compressor Replacement Procedure (Outline)



### ⚠ WARNING

In situations such as indoor unit relocation and repairs, it is not possible to recover all the refrigerant held by the system in the outdoor units. It could cause a serious accident, such as blow out or injury. Be sure to perform refrigerant recovery using a refrigerant recovery device.

### ⚠ WARNING

When detaching a pipe by heating with a burner at brazed joint, take care as any oil left in the piping may burn in a momentary flash of fire when the brazed filler metal melts.

\*1 The full-opening of PMV1, 3 and 4 via short-circuiting of the CN30 pins is automatically undone after 2 minutes, causing the valves to fully close. To maintain fully open state, turn off the power switch of the outdoor unit within 2 minutes.

\*2 The SMMS-e (6 series) and the SMMS-i (4 series) use different types of compressors. Be sure to check the service part code.

This flowchart only shows the standard compressor replacement procedure. Since the situation can differ site by site, perform the task in accordance with the following judgment criteria:

- (1) New compressors are charged with 0.502 gal of oil per unit.
- (2) The amount of oil held by an outdoor unit is as shown below.

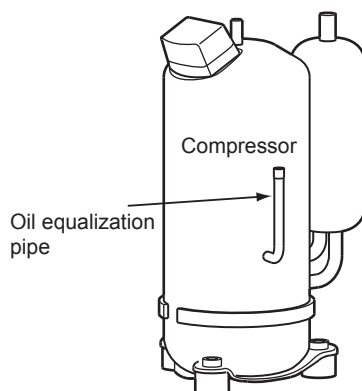
Model MAP-	0726	0966 , 1206	1466 , 1686
Amount of oil [gal]	1.136	1.268	1.400

- (3) When a compressor is dismantled, it usually contains 0.211 - 0.370 gal oil. The amount of oil held by an oil separator is usually 0-0.264 gal for MAP0726 , MAP0966 , MAP1206 , MAP1466 and MAP1686

## 12-2. Replacement of Compressors

### <Checking color of oil in troubled compressor>

- Lay the faulty compressor down, draw a small amount of oil via the oil equalization pipe, and check its color against color samples.
- Determine the number of compressors to be replaced according to the color checking result.  
 ASTM grade: Below 4 → Replace the troubled compressor only.  
 ASTM grade: 4 or above → Replace both the troubled compressor and the normal compressor(s).



### WARNING

When detaching a pipe by heating with a burner at brazed joint, take care as any oil left in the piping may burn in a momentary flash of fire when the brazing filler metal melts.

### [When replacing troubled compressor only]

#### <Measuring amount of oil in troubled compressor>

Amount of oil in troubled compressor:  $A \text{ [gal]} = (\text{Weight of compressor as it was dismantled (lbs)} - D) \times 0.1249$  (Specific volume of oil: 0.1249 [gal/lbs])

(lbs)

Compressor model	D : Weight (not include oil)
RA641A3TB-20M	52.0
DA421A3TB-20M1	48.2

※Please check the type name of the compressor as it was dismantled.

#### <Adjusting amount of oil in new compressor> (0.502 gal at shipment)

- Perform the adjustment on the basis of how much oil the troubled compressor contained, A [gal], by following the steps below.

#### **1** Amount of oil in faulty compressor A [gal]: $0 \leq A < 0.264$

(1) Adjust the amount of oil in the new compressor to 0.264 gal.

(Lay the new compressor down and draw 0.238 [gal] of oil via the oil-equalization pipe.) **Notes:**

- Do not draw more than 0.238 [gal] of oil as it may cause damage to the compressor.
- If the troubled compressor contained 0.132 [gal] or less, there may have been a problem with the oil equalization circuit, etc. Perform checks in accordance with "12-3. Check Procedure to Search Cause of Compressor Oil Shortage".

**2 Amount of oil in troubled compressor A [gal]:  $0.264 \leq A < 0.502$**

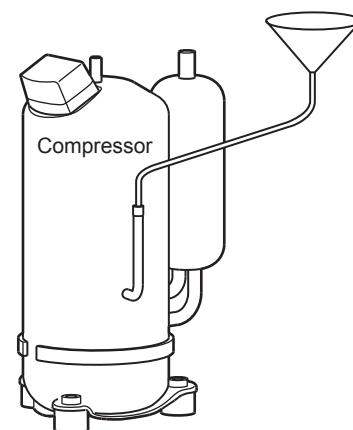
(1) Adjust the amount of oil in the new compressor to A gal.

(Lay the new compressor down and draw  $(0.502 - A)$  [gal] of oil via the oil equalization pipe.)

**3 Amount of oil in troubled compressor A [gal]:  $0.502 \leq A$**

(1) Adjust the amount of oil in the new compressor to A gal.

(Insert a hose into the discharge pipe or oil equalization pipe of the new compressor and inject  $(A - 0.502)$  [gal] of oil using a funnel, etc.)



**[When replacing normal as well as troubled compressor] - applicable to MMY-MAP0726**  
**<Remove the normal compressor>**

- Remove the normal compressor in the same way as the troubled compressor. **Note:**
- Be sure to insulate the removed compressor leads using insulation tape, etc.

**⚠ WARNING**

When detaching a pipe by heating with a burner at brazed joint, take care as any oil left in the piping may burn in a momentary flash of fire when the brazing filler metal melts.

**<Measuring amount of oil in normal compressor>**

- As was the case with the troubled compressor, measure the amount of oil contained by placing the compressor on a scale.
- Amount of oil in normal compressor:  $B \text{ [gal]} = (\text{Weight of compressor as it was dismantled (lbs)} - D) \times 0.1249$   
 (Specific volume of oil: 0.1249 [gal/lbs])

**Note:**

Compressor model	D : Weight (not include oil)
DA421A3TB-20M1	48.2

※Please check the type name of the compressor as it was dismantled.

**<Adjusting amount of oil in new compressors>**

- Perform the adjustment on the basis of how much oil the troubled compressor contained, A [gal], and how much oil the normal compressor contained, B [gal], by following the steps below.

**1 Combined amount of oil in troubled and normal compressors A+B [gal] :  $0 \leq A+B < 0.528$**

- (1) Adjust the amount of oil in the two new compressors to 0.264 gal each (total 0.528 gal).
- Lay the compressors down and draw 0.238 [gal] of oil from each of them via their oil equalization pipes.

**Notes:**

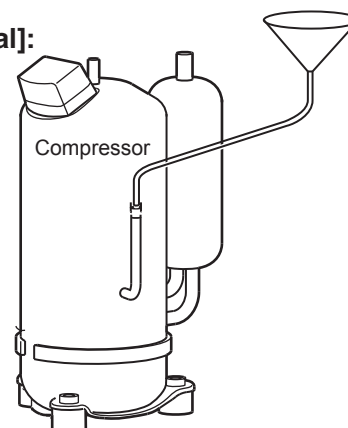
- Do not draw more than 0.238 [gal] of oil from a compressor as it may cause damage.
- If the troubled compressor contained 0.132 gal or less, there may have been a problem with the oil equalization circuit, etc. Perform checks in accordance with “12-3. Check Procedure to Search Cause of Compressor Oil Shortage”.

**2 Combined amount of oil in troubled and normal compressors A+B [gal]:**  
 **$0.528 \leq A+B < 1.004$**

- (1) Adjust the amount of oil in the two new compressors to  $(A+B)/2$  gal each.
- Lay the compressor down and draw  $[1.004-(A+B)]/2$  [gal] of oil from each of them via their oil equalization pipes.

**3 Combined amount of oil in troubled and normal compressors**  
**A+B [gal]:  $3800 \leq A+B$**

- (1) Adjust the amount of oil in the two new compressors to  $(A+B)/2$  cc each.  
 (Insert a hose into the discharge pipe or oil equalization pipe of each compressor and inject  $(A+B)/2-0.520$  [gal] of oil using a funnel, etc.)



**[When replacing normal as well as troubled compressor] - applicable to MMY-MAP0966 , and MAP1206**

**<Remove the normal compressor>**

Remove the normal compressor in the same way as the troubled compressor.

**Note:**

Be sure to insulate the removed compressor leads using insulation tape, etc.

**⚠ WARNING**

When detaching a pipe by heating with a burner at brazed joint, take care as any oil left in the piping may burn in a momentary flash of fire when the brazing filler metal melts.

**<Measuring amounts of oil in normal compressor>**

- As was the case with the troubled compressor, measure the amount of oil contained by placing each compressor on a scale.
- Amount of oil in normal compressor:  $B \text{ [gal]} = (\text{Weight of compressor as it was dismantled (lbs)} - D) \times 0.1249$   
 (Specific volume of oil: 0.1249 [gal/lbs])

**Note:**

Compressor model	D : Weight (not include oil)
RA641A3TB-20M	52.0

(lbs)

※Please check the type name of the compressor as it was dismantled.

**<Adjusting amount of oil in new compressors>**

- Perform the adjustment on the basis of how much oil the troubled compressor contained, A [gal], and how much oil the normal compressor contained, B [gal], by following the steps below.

**1 Combined amount of oil in troubled compressor and normal compressor  $A+B \text{ [gal]} : 0 \leq A+B < 0.528$**

(1) Adjust the amount of oil in the two new compressors to 0.264 gal each (total 0.528 gal).

- Lay the compressors down and draw 0.238 [gal] of oil from each of them via their oil equalization pipes.

**Notes:**

- Do not draw more than 0.238 [gal] of oil from a compressor as it may cause damage.
- If the troubled compressor contained 0.132 gal or less, there may have been a problem with the oil equalization circuit, etc. Perform checks in accordance with “12-3. Check Procedure to Search Cause of Compressor Oil Shortage”.

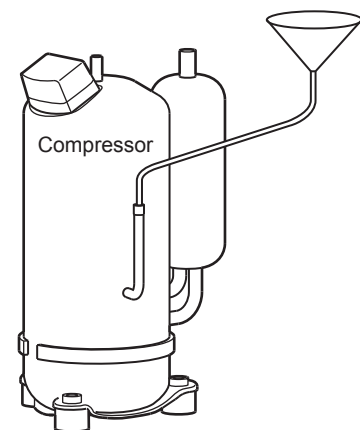
**2 Combined amount of oil in troubled compressor and normal compressor  $A+B \text{ [gal]}: 0.528 \leq A+B < 1.268$**

(1) Adjust the amount of oil in the two new compressors to  $(A+B)/2$  gal each.

- Lay the compressor down and draw  $[1.268-(A+B)]/2$  [gal] of oil from each of them via their oil equalization pipes.

**3 Combined amount of oil in troubled compressor and normal compressor  $A+B \text{ [gal]} : 1.268 \leq A+B$**

(1) Adjust the amount of oil in the two new compressors to  $(A+B)/2$  gal each. (Insert a hose into the discharge pipe or oil equalization pipe of each compressor and inject  $(A+B)/2-0.520$  [gal] of oil using a funnel, etc.)



**[When replacing normal as well as faulty compressor] - applicable to MMY-MAP1446 , and MAP1686**

**<Remove the normal compressor>**

- Remove the normal compressor in the same way as the troubled compressor.

**Note:**

- Be sure to insulate the removed compressor leads using insulation tape, etc.

**⚠ WARNING**

When detaching a pipe by heating with a burner at brazed joint, take care as any oil left in the piping may burn in a momentary flash of fire when the brazing filler metal melts.

**<Measuring amounts of oil in normal compressors>**

- As was the case with the troubled compressor, measure the amount of oil contained by placing each compressor on a scale.
- Amount of oil in normal compressor:  $B \text{ [gal]} = (\text{Weight of compressor as it was dismantled (lbs)} - D) \times 0.1249$   
 (Specific volume of oil: 0.1249 [gal/lbs])

**Note:**

Compressor model	D : Weight (not include oil)
RA641A3TB-20M	52.0

※Please check the type name of the compressor as it was dismantled.

**<Adjusting amount of oil in new compressors>**

- Perform the adjustment on the basis of how much oil the troubled compressor contained, A [gal], and how much oil the normal compressor contained, B [gal], by following the steps below.

**1 Combined amount of oil in troubled compressor and normal compressor  $A+B \text{ [gal]} : 0 \leq A+B < 0.528$**

- (1) Adjust the amount of oil in the two new compressor to 0.264 gal each (total 0.528 gal).
- Lay the compressor down and draw 0.238 [gal] of oil from each of them via their oil equalization pipes.

**Notes:**

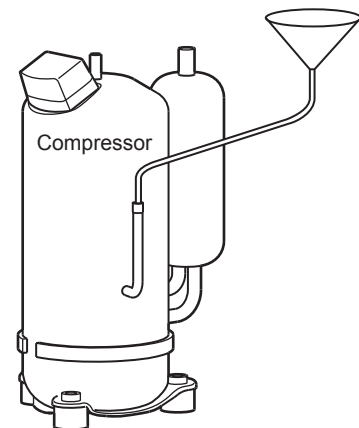
- Do not draw more than 0.238 [gal] of oil from a compressor as it may cause damage.
- If the troubled compressor contained 0.132 gal or less, there may have been a problem with the oil equalization circuit, etc. Perform checks in accordance with “12-3. Check Procedure to Search Cause of Compressor Oil Shortage”.

**2 Combined amount of oil in troubled compressor and normal compressor  $A+B \text{ [gal]}: 0.258 \leq A+B < 1.400$**

- (1) Adjust the amount of oil in the two new compressor to  $(A+B)/2$  gal each.
- Lay the compressor down and draw  $[1.400-(A+B)]/2$  [gal] of oil from each of them via their oil equalization pipes.

**3 Combined amount of oil in troubled compressor and normal compressor  $A+B \text{ [gal]}: 1.400 \leq A+B$**

- (1) Adjust the amount of oil in the two new compressors to  $(A+B)/2$  gal each.(Insert a hose into the discharge pipe or oil equalization pipe of each compressor and inject  $(A+B)/2-0.520$  [gal] of oil using a funnel,etc.)



### **<Installing compressor>**

- Install a compressor by following the dismantling procedure in reverse.
- The dismantling process may have loosened compressor leads and quick connectors. Prior to installation, therefore, tighten them a little with a pair of pliers, and verify that they are tight after reconnection.

#### **Notes:**

- Although a compressor is provided with only two hexagonal bolts, it is standard.
- The tightening torque of the hexagonal bolts, used to mount the compressor, is 1119 lbs/in.
- If oil has been drawn from the accumulator, repair the cut pipe through pinching and brazing.

### **<Vacuum-pumping>**

(Single outdoor unit system)

- Before performing vacuum-pumping, fully open PMV1 and 4. If they are closed, the heat exchangers of the outdoor unit cannot be vacuum-pumped.
- Connect a vacuum pump consecutively to the check joints placed in the liquid and discharge pipes and on the high-pressure side of the suction pipe, and turn it on.
- Operate the vacuum drying until the vacuum gauge indicates 0.0193317 psi.

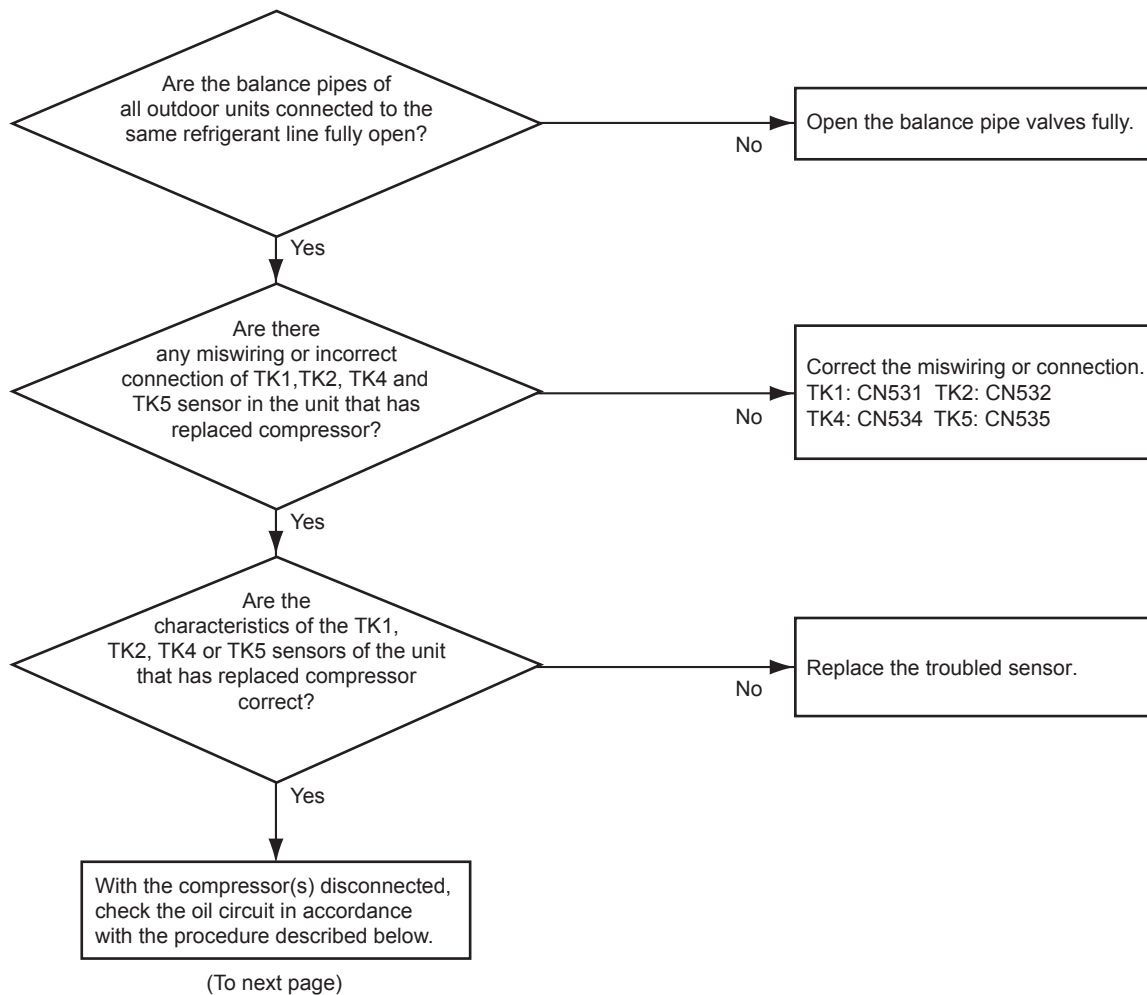
### **<Method to fully open PMV manually>**

- (1) Turn on the power switch of the outdoor unit.
- (2) With the Bits 1 and 2 of SW12 set to off, short-circuit the pins of CN30.
- (3) Disconnect the connectors of PMV1 from the I/F P.C. board.
- (4) With the Bits 1 and 2 of SW12 set to off and on, respectively, short-circuit the pins of CN30.
- (5) Disconnect the connector of PMV4 from the I/F P.C. board
- (6) With the Bits 1 and 2 of SW12 set to on and off, respectively, short-circuit the pins of CN30.
- (7) Disconnect the connector of PMV3 from the I/F P.C. board.
- (8) Turn off the power switch of the outdoor unit.

### **<Refrigerant charging>**

- Inject the same amount of refrigerant as the recovered residual refrigerant via the charging port of the liquid-side service valve.

## 12-3. Check Procedure to Search Cause of Compressor Oil Shortage

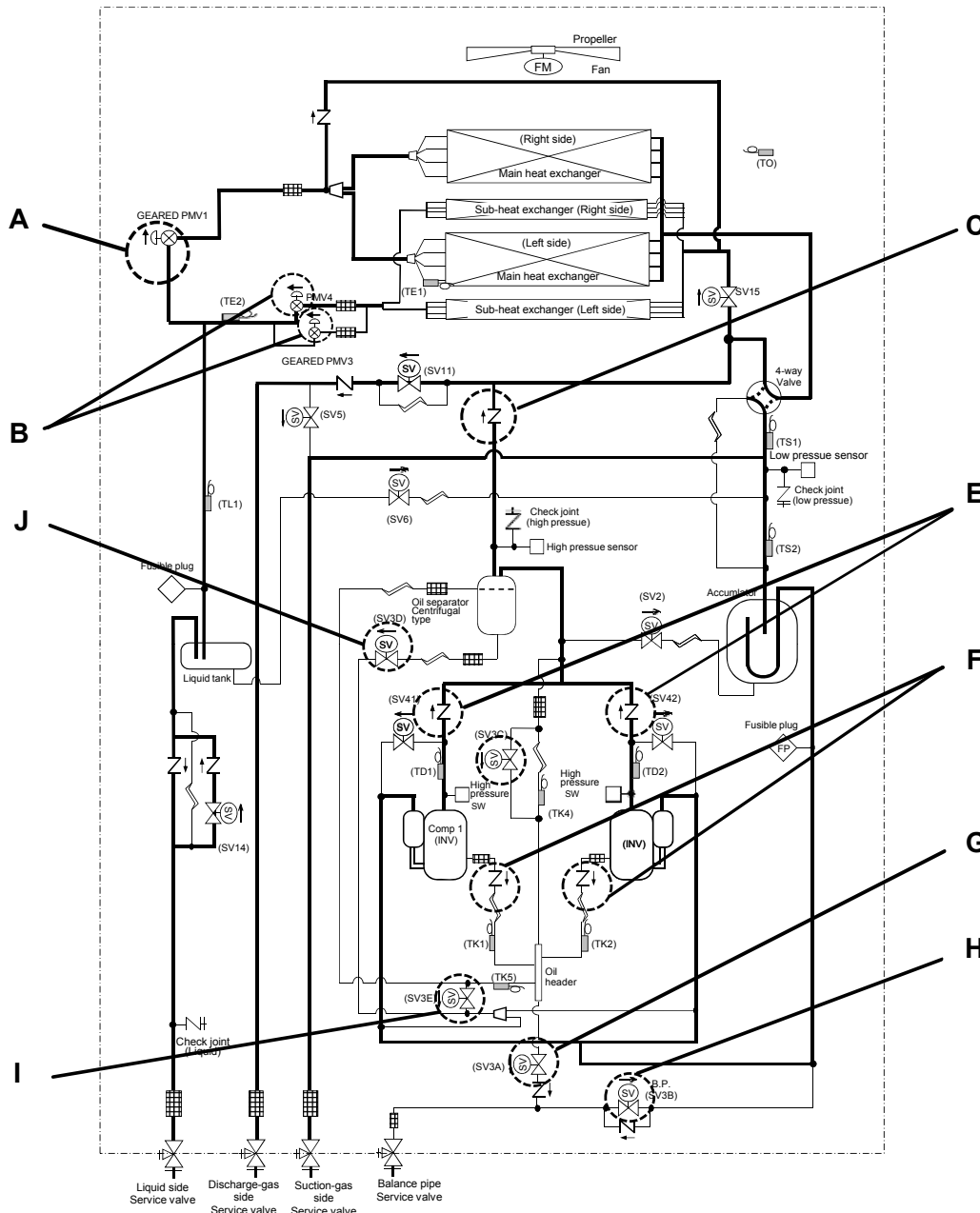




<MMY-MAP0726\* >

Check items and procedures to follow when checking oil circuit with compressor(s) disconnected

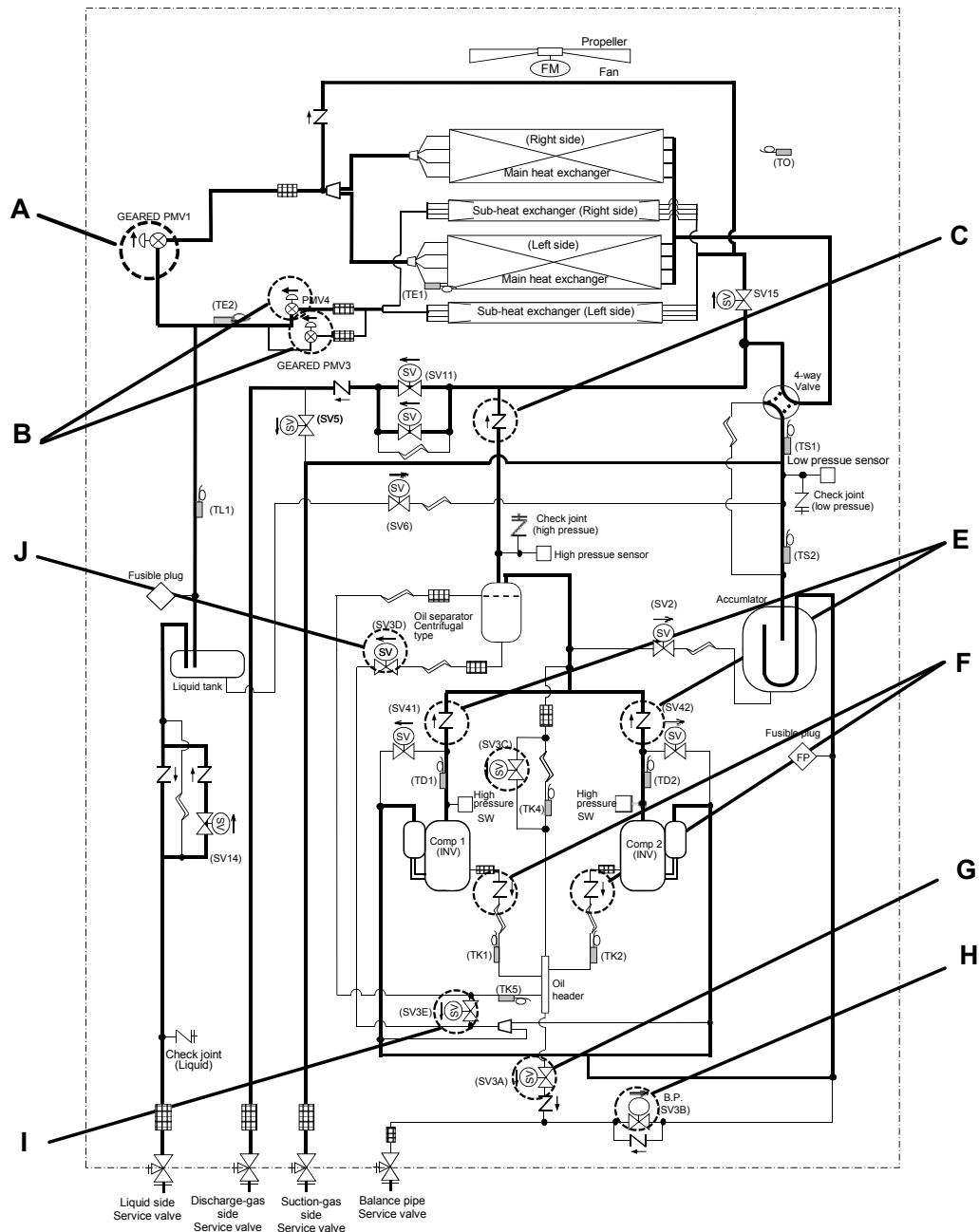
Check item	Location	Procedure
Leakage of outdoor PMV Leakage of check valve in discharge pipe convergent section	A, B C	1) Pressure nitrogen from check joint of the liquid pipe under condition that PMV1, 3 and 4 are fully closed, confirm the pressure using high-pressure check joint. If pressure of the high-pressure check joint rises, leakage from any of PMV1, 3, 4 (A, B) and discharge check valve (C) is considered. Therefore replace all PMV1, 3, 4 (A, B) and discharge check valve (C). 2) If pressure did not rise, open PMV1 fully and then confirm pressure of the high-pressure check joint. When pressure was up, open fully PMV4 only and confirm pressure of the high-pressure check joint again. 3) When pressure was up, there is leakage from discharge check valve (C). Therefore replace them. If pressure did not rise, there is leakage from discharge check valve. Therefore replace them.
Leakage of check valve in discharge pipe	E	4) With pressure applied to the check joint of with nitrogen, if gas escapes from the discharge pipe section of the disconnected compressor, there is a leak from the check valve of discharge pipe (E). Replace the part.
Leakage of check valve in oil equalization circuit	F	5) With pressure applied to the check joint of with nitrogen, if gas escapes from the oil equalization pipe section of the disconnected compressor, there is a leak from the oil equalization pipe check valve (F). Replace the part.
Leakage of SV3A valve	G	6) With pressure applied to the check joint of with nitrogen, manually open the SV3B valve. If gas escapes from the suction pipe section of the disconnected compressor, there is a leak from the SV3A valve. Replace the part.
Leakage of SV3B valve	H	7) Then manually open the SV3A valve. If gas escapes from the suction pipe section of the disconnected compressor, there is a leak from the SV3B valve. Replace the part.
Clogging of SV3E valve Clogging of oil-return distributor	I	8) With pressure applied to the check joint of with nitrogen, manually open the SV3E valve. If gas does not escape from the suction pipe section of the disconnected compressor, the SV3E valve or oil-return distributor is clogged. Replace the part.
Clogging of SV3D valve Clogging of oil-return capillary Clogging of oil-return distributor	J	9) With pressure applied to the check joint of with nitrogen, manually open the SV3D valve. If gas does not escape from the suction pipe section of the disconnected compressor, the SV3D valve, oil-return capillary or oil-return distributor is clogged. Replace the part.



<MMY-MAP0966\* and MAP1206\* >

Check items and procedures to follow when checking oil circuit with compressor(s) disconnected

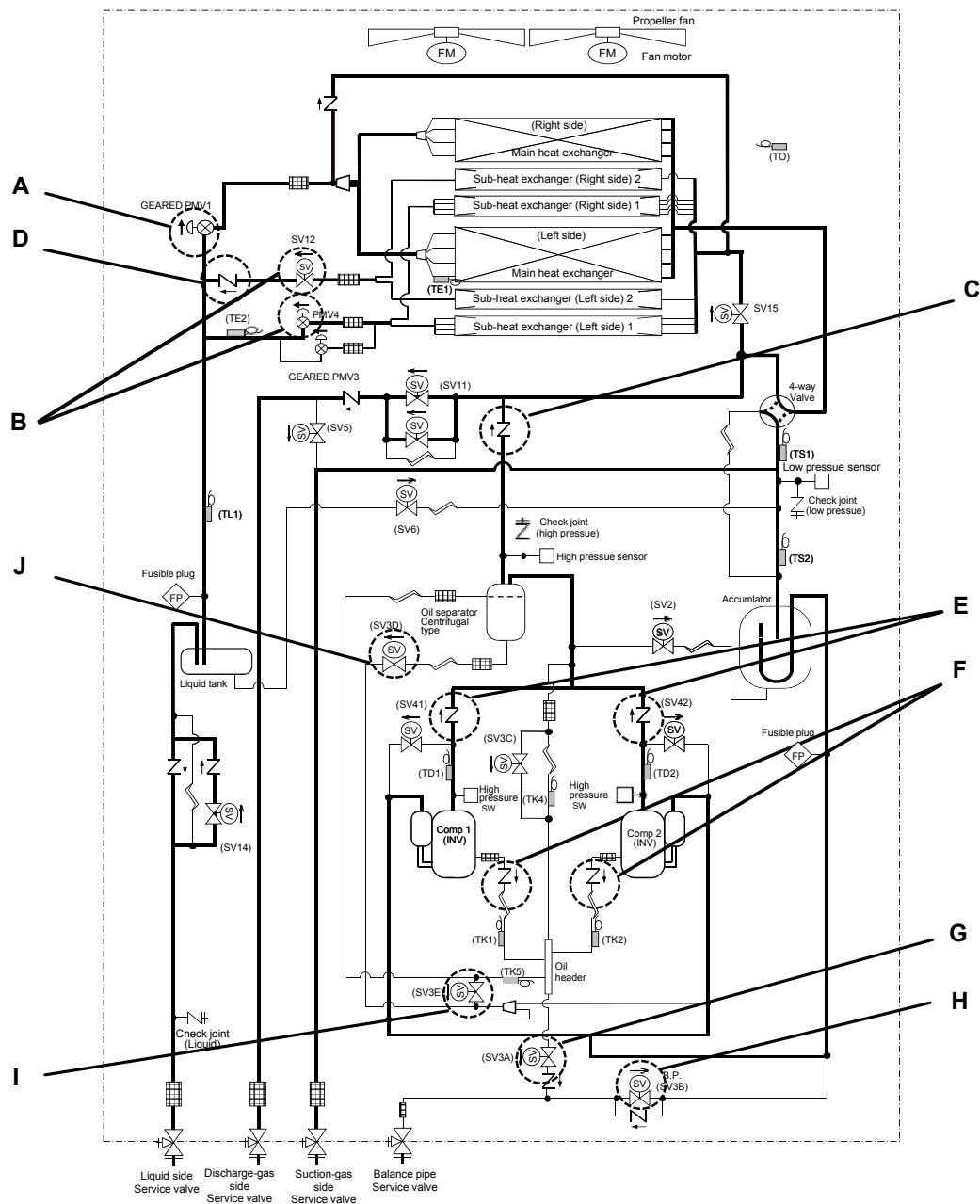
Check item	Location	Procedure
Leakage of outdoor PMV Leakage of check valve in discharge pipe convergent section	A,B C	1) Pressure nitrogen from check joint of the liquid pipe under condition that PMV1, 3 and 4 are fully closed, confirm the pressure using high-pressure check joint. If pressure of the high-pressure check joint rises, leakage from any of PMV1, 3, 4 (A, B) and discharge check valve (C) is considered. Therefore replace all PMV1, 3, 4 (A, B) and discharge check valve (C). 2) If pressure did not rise, open PMV1 fully and then confirm pressure of the high-pressure check joint. When pressure was up, open fully PMV4 only and confirm pressure of the high-pressure check joint again. 3) When pressure was up, there is leakage from and discharge check valve (C). Therefore replace them. If pressure did not rise, there is leakage from discharge check valve. Therefore replace them.
Leakage of check valve in discharge pipe	E	4) With pressure applied to the check joint of with nitrogen, if gas escapes from the discharge pipe section of the disconnected compressor, there is a leak from the check valve of discharge pipe (E). Replace the part.
Leakage of check valve in oil equalization circuit	F	5) With pressure applied to the check joint of with nitrogen, if gas escapes from the oil equalization pipe section of the disconnected compressor, there is a leak from the oil equalization pipe check valve (F). Replace the part.
Leakage of SV3A valve	G	6) With pressure applied to the check joint of with nitrogen, manually open the SV3B valve. If gas escapes from the suction pipe section of the disconnected compressor, there is a leak from the SV3A valve. Replace the part.
Leakage of SV3B valve	H	7) Then manually open the SV3A valve. If gas escapes from the suction pipe section of the disconnected compressor, there is a leak from the SV3B valve. Replace the part.
Clogging of SV3E valve Clogging of oil-return distributor	I	8) With pressure applied to the check joint of with nitrogen, manually open the SV3E valve. If gas does not escape from the suction pipe section of the disconnected compressor, the SV3E valve or oil-return distributor is clogged. Replace the part.
Clogging of SV3D valve Clogging of oil-return capillary Clogging of oil-return distributor	J	9) With pressure applied to the check joint of with nitrogen, manually open the SV3D valve. If gas does not escape from the suction pipe section of the disconnected compressor, the SV3D valve, oil-return capillary or oil-return distributor is clogged. Replace the part.



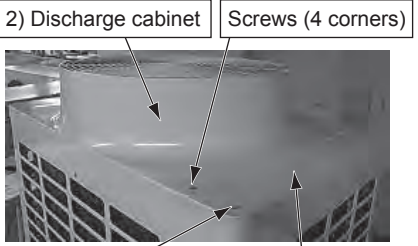
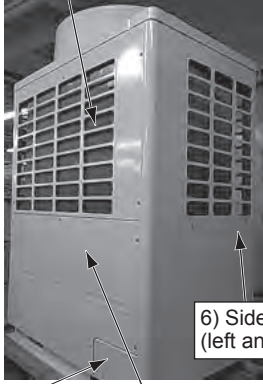

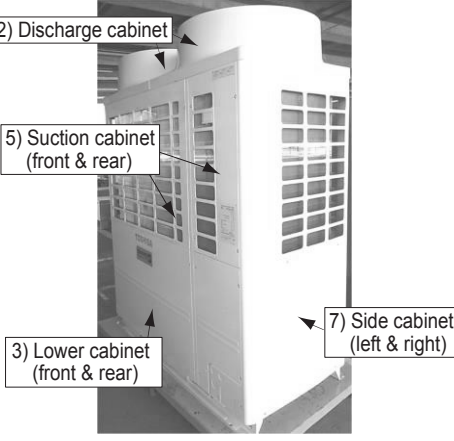


## <MMY-MAP1446\* and MAP1686\*

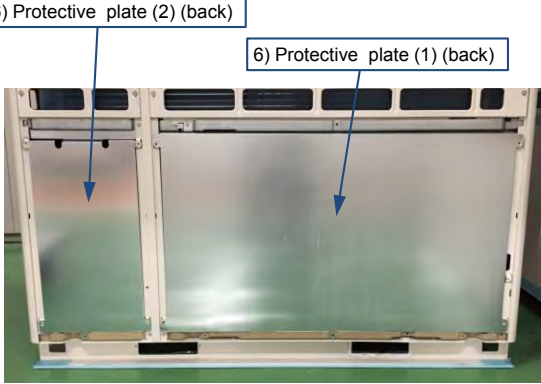
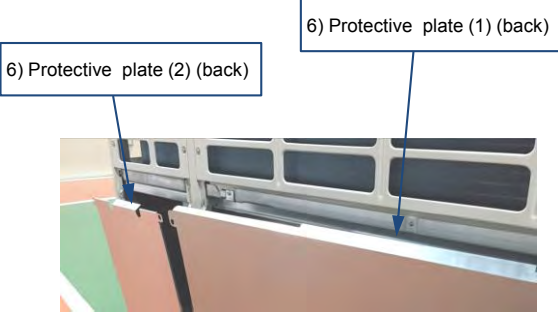


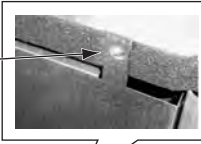
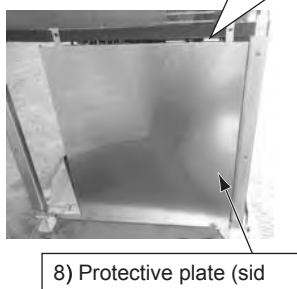
Check items and procedures to follow when checking oil circuit with compressor(s) disconnected

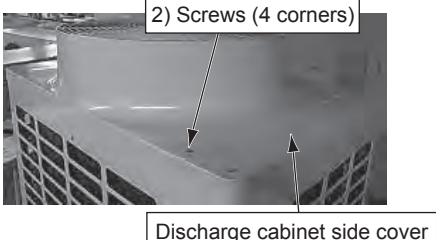
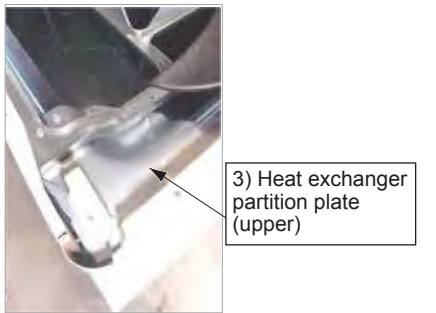
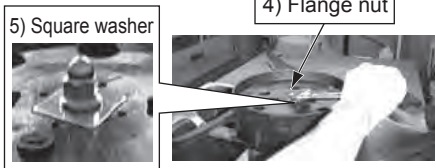

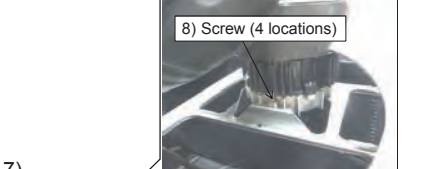
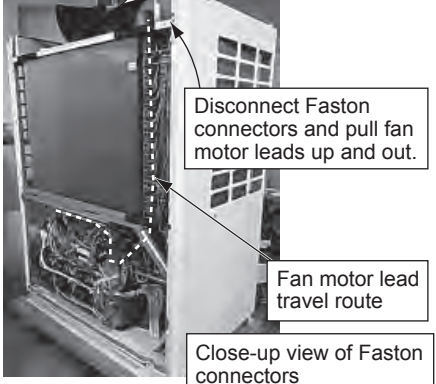
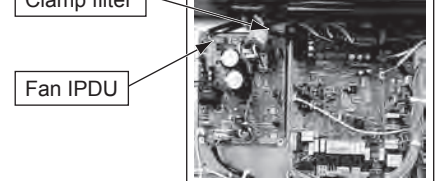
Check item	Location	Procedure
Leakage of outdoor PMV Leakage of check valve in discharge pipe convergent section	A,B C,D	1) Pressure nitrogen from check joint of the liquid pipe under condition that PMV1 and 4 are fully closed, confirm the pressure using high-pressure check joint. If pressure of the high-pressure check joint rises, leakage from any of PMV1, 4 (A, B), check valve (D) and discharge check valve (C) is considered. Therefore replace all PMV1, 4 (A, B), check valve (D), discharge check valve (C). 2) If pressure did not rise, open PMV1 fully and then confirm pressure of the high-pressure check joint. When pressure was up, open fully PMV4 only and confirm pressure of the high-pressure check joint again. 3) When pressure was up, there is leakage from check valve (D) and discharge check valve (C). Therefore replace them. If pressure did not rise, there is leakage from discharge check valve. Therefore replace them.
Leakage of check valve in discharge pipe	E	4) With pressure applied to the check joint of with nitrogen, if gas escapes from the discharge pipe section of the disconnected compressor, there is a leak from the check valve of discharge pipe (E). Replace the part.
Leakage of check valve in oil equalization circuit	F	5) With pressure applied to the check joint of with nitrogen, if gas escapes from the oil equalization pipe section of the disconnected compressor, there is a leak from the oil equalization pipe check valve (F). Replace the part.
Leakage of SV3A valve	G	6) With pressure applied to the check joint of with nitrogen, manually open the SV3B valve. If gas escapes from the suction pipe section of the disconnected compressor, there is a leak from the SV3A valve. Replace the part.
Leakage of SV3B valve	H	7) Then manually open the SV3A valve. If gas escapes from the suction pipe section of the disconnected compressor, there is a leak from the SV3B valve. Replace the part.
Clogging of SV3E valve Clogging of oil-return distributor	I	8) With pressure applied to the check joint of with nitrogen, manually open the SV3E valve. If gas does not escape from the suction pipe section of the disconnected compressor, the SV3E valve or oil-return distributor is clogged. Replace the part.
Clogging of SV3D valve Clogging of oil-return capillary Clogging of oil-return distributor	J	9) With pressure applied to the check joint of with nitrogen, manually open the SV3D valve. If gas does not escape from the suction pipe section of the disconnected compressor, the SV3D valve, oil-return capillary or oil-return distributor is clogged. Replace the part.



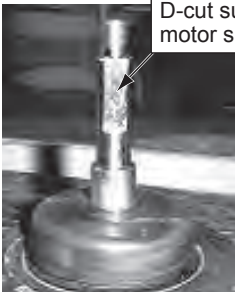
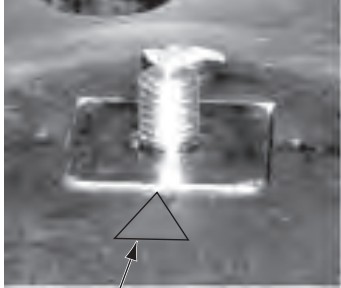
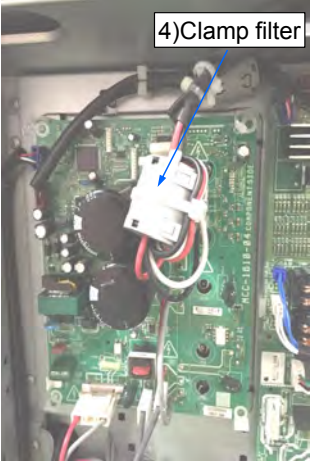
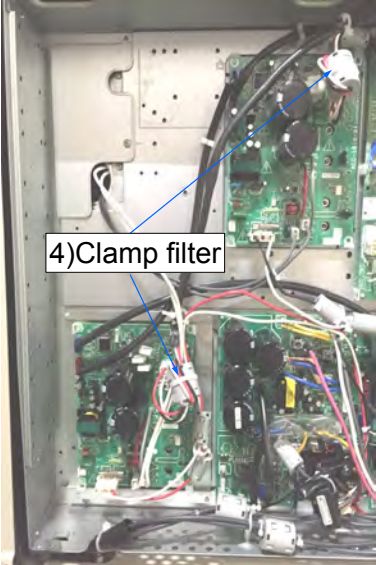
# 13 OUTDOOR UNIT PARTS REPLACEMENT METHODS

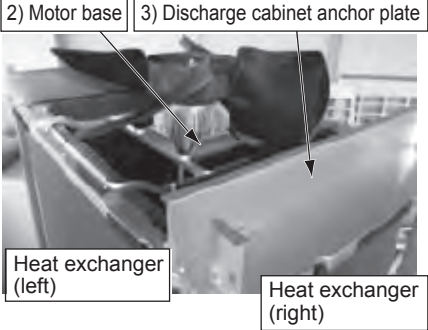
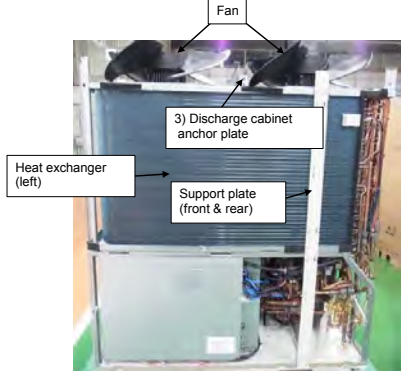
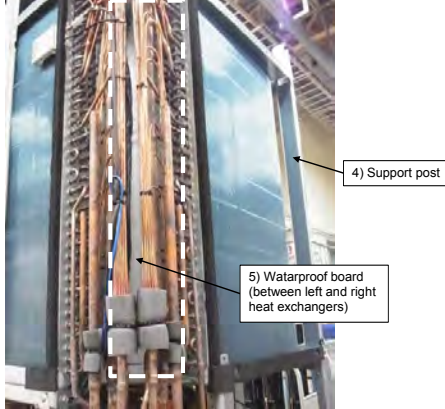
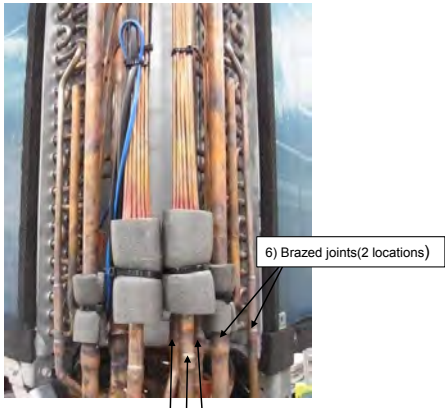
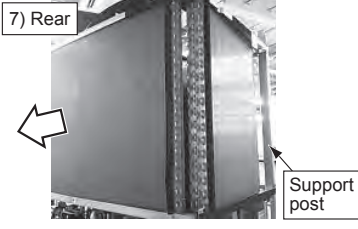
No.	Part to be replaced	Work procedure	Remarks
1	Cabinet	<p><b>⚠ WARNING</b></p> <p><b>Wear a pair of gloves. Otherwise, you will risk an injury involving a replacement part or some other object.</b></p> <p><b>1. Detachment</b></p> <p>1) Stop the air conditioner operation, and turn off the circuit breaker.</p> <p>2) Remove the screws for the discharge cabinet. (M5 × 0.63" (16mm), 4 pcs.)</p> <div data-bbox="534 756 1017 852" style="border: 1px solid black; padding: 2px;"> <p>With a 096 and 120 type, the discharge cabinet side covers need to be removed. Left and right: (M5 × 0.63" (16mm), 2 pcs.) -2 sets</p> </div> <p>Remove the two discharge cabinets for 144 and 168 type.</p> <p>3) Remove the screws for the lower cabinet. Front and rear: (M5 × 0.4" (10mm), 7 pcs. for front and 6 pcs. for rear) Remove the two front lower cabinets and two rear lower cabinets for 144 and 168 type. (M5 × 0.4" (10mm), 13 pcs (Front) M5 × 0.4" (10mm), 10 pcs (Rear)</p> <p>4) Remove the screws for the service panel. (M5 × 0.4" (10mm), 2 pcs.)</p> <p>5) Remove the screws for the suction cabinet. Front and rear: (M5 × 0.4" (10mm), 4 pcs. each)</p> <div data-bbox="534 1247 999 1309" style="border: 1px solid black; padding: 2px;"> <p>In the case of 096 and 120 type: M5 × 0.4" (10mm), 5 pcs. each</p> </div> <p>Remove the two front discharge cabinets and two rear discharge cabinets for 144 and 168 type. (M5 × 0.4" (10mm), 9 pcs (Front) M5 × 0.4" (10mm), 9 pcs (Rear)</p>	     

No.	Part to be replaced	Work procedure	Remarks
1	Cabinet (continued)	<p>6) Remove the protective plate (1) (back). Remove the upper hook from the middle partition plate, and then remove the lower hook from the center hole of the bottom plate.</p> <p>7) Remove the screws for the discharge cabinet side cabinet. Left and right: (M5 × 0.4" (10mm), 6 pcs. each) Remove the two front support plates and two rear support plates for 144 and 168 type. (M5 x 0.4" (10mm), 6 pcs) - 2 set</p> <div data-bbox="482 580 869 645" style="border: 1px solid black; padding: 2px; margin: 5px 0;"> <p>In the case of a 144 and 168 type protective plate (1), (2) (back).</p> </div> <p>8) Remove the hook of the protective plate (side) from the hole of the middle partition plate. (2 locations)</p> <p><b>2. Attachment</b> Carry out installation by following the detachment procedure in reverse 8) → 1). Be careful of the hooks provided on the suction cabinet, service panel and lower cabinet.</p>	  <div style="display: flex; justify-content: space-around;"> <div data-bbox="1032 1167 1275 1456">  <p>6) Remove the lower hook of the protective</p> </div> <div data-bbox="1310 1167 1553 1456">  <p>6) Remove the lower hook of the protective</p> </div> </div> <div data-bbox="1102 1505 1501 1938"> <p>8) Remove the hook of the protective plate (side) from the hole of the middle partition plate (2 locations)</p>   </div>


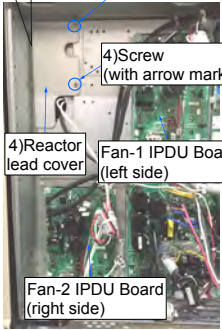

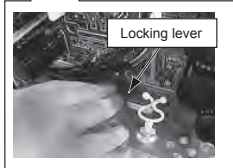
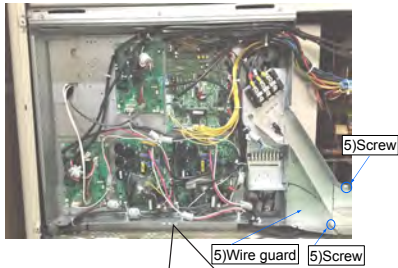

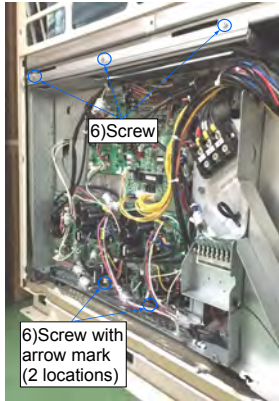
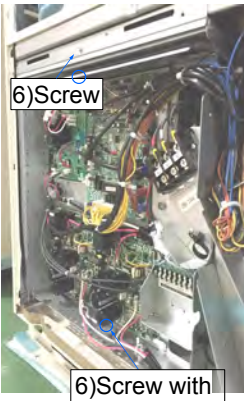
No.	Part to be replaced	Work procedure	Remarks
2	Propeller fan Fan motor	<p><b>⚠ WARNING</b></p> <p><b>Wear a pair of gloves.</b> <b>Otherwise, you will risk an injury involving a replacement part or some other object.</b></p> <hr/> <p><b>1. Detachment</b></p> <ol style="list-style-type: none"> <li>1) Stop the air conditioner operation, and turn off the circuit breaker.</li> <li>2) Remove the screws for the discharge cabinet. (M5 × 0.4" (10mm), 4 pcs.)</li> <li>3) Remove the heat exchanger partition plate (upper). (M5 × 0.4" (10mm), 2 pcs.)</li> <li>* With 096 and 120 type, the fan motor can be replaced without removing the discharge cabinet side covers.</li> <li>4) Remove the flange nut securing the fan motor and propeller fan. (To loosen the nut, turn it clockwise.)</li> <li>5) Remove the square washer.</li> <li>6) Remove the propeller fan.</li> </ol> <p><b>⚠ CAUTION</b></p> <p><b>Lift it straight up.</b> <b>Do not forcibly pull it, or it may get stuck.</b></p> <hr/> <ol style="list-style-type: none"> <li>7) Disconnect the Faston connectors for the fan motor leads (3 pieces) from the Fan IPDU, and pull the leads up and out.</li> <li>8) Remove the fan motor. (M6 × 0.8" (20mm), 4 pcs.)</li> <li>• As for 144 and 168 type outdoor unit, the number of Fan, Fan motor, Motor base, Flange nut, Washer and Fan P.C Board are twice compare to 072 and 120 type outdoor unit because 2 Fans are equipped.</li> </ol>	 <p>2) Screws (4 corners)</p> <p>Discharge cabinet side cover</p>  <p>3) Heat exchanger partition plate (upper)</p>  <p>5) Square washer</p> <p>4) Flange nut</p>  <p>6)</p>  <p>8) Screw (4 locations)</p>  <p>7)</p> <p>Disconnect Faston connectors and pull fan motor leads up and out.</p> <p>Fan motor lead travel route</p> <p>Close-up view of Faston connectors</p>  <p>Clamp filter</p> <p>Fan IPDU</p>

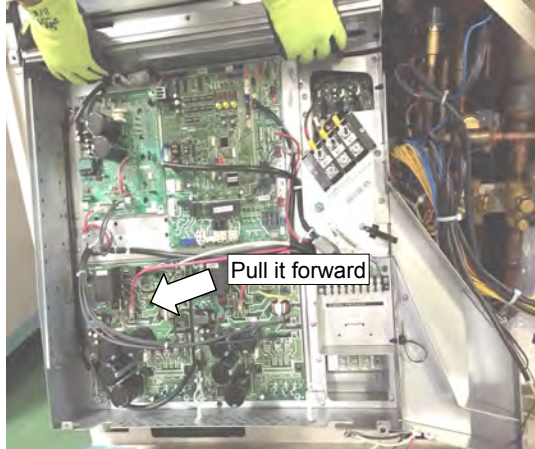
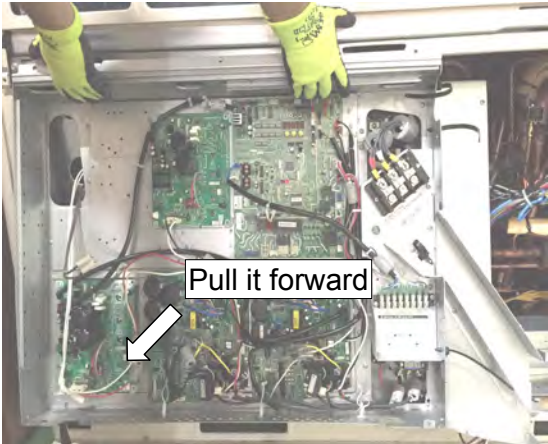


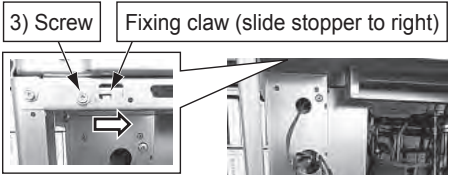
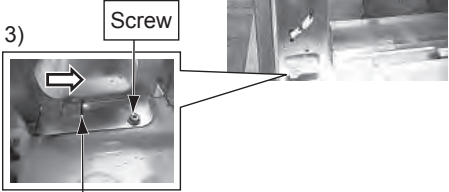
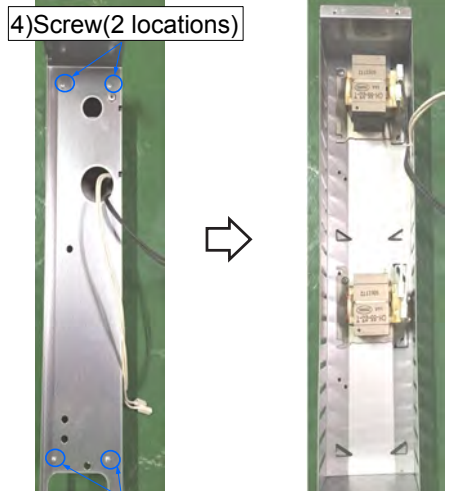
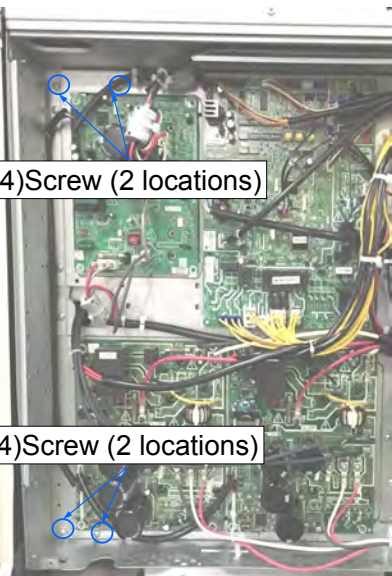
No.	Part to be replaced	Work procedure	Remarks
2	Propeller fan Fan motor (continued)	<p><b>2. CAUTION for replacement or attachment</b></p> <p>1) Insert the propeller fan while aligning the D-cut surface of the fan motor shaft with the arrow mark (△) on the fan. (If the propeller fan is tightly mounted on the shaft without securing alignment between the D-cut surface and the arrow mark (△), it may cause the fan to melt and fall off due to friction heat.)</p> <p>2) Be sure to put the square washer in place. (Otherwise, unusual noises and vibrations may result.)</p> <p>3) Tighten the flange nut at a torque of 11.1 ft•lbs (15N•m)</p> <p>(To tighten the flange nut, turn it counterclockwise.)</p> <p>4) Remove the clamp filter from the fan motor with trouble, then attach the clamp filter to the substitution in the same way as before replacement. (Turn through the fan motor lead once around the clamp filter.)</p> <ul style="list-style-type: none"> <li>Apply the same procedure again for 144 and 168 type to replace another clamp filter.</li> </ul>	 <p>D-cut surface of fan motor shaft</p>  <p>Arrow mark (△) of fan To be aligned with D-cut surface</p> <p><b>072 and 120 type</b></p>  <p>4)Clamp filter</p> <p><b>144 and 168 type</b></p>  <p>4)Clamp filter</p>

No.	Part to be replaced	Work procedure	Remarks
3	Heat exchanger	<p><b>⚠ WARNING</b></p> <p><b>Wear a pair of gloves. Otherwise, you will risk an injury involving a replacement part or some other object.</b></p> <hr/> <p>Before the work, be sure to recover the refrigerant of outdoor unit into cylinders or another unit connected to the same system. (Refer to the chapter on "refrigerant recovery methods to be used during compressor replacement".)</p> <p><b>1. Detachment (Right-Side Heat Exchanger as Example)</b></p> <p>1) Remove the cabinet. 2) Remove the motor base. (M5 × 0.4" (10mm), 6 pcs.) Remove the two motor bases for 144 and 168 type. (M5 × 0.4" (10mm), 6 pcs) - 2 set (Detach the fan motor leads as well.)</p> <div data-bbox="534 941 1055 1037" style="border: 1px solid black; padding: 5px;"> <p>With 096 and 120 type, remove the discharge cabinet anchor plates. Left and right: (M5 × 0.4" (10mm), 2 pcs.) - 2 sets</p> </div> <p>With 144 and 168 type, remove the discharge cabinet anchor plate. (M5 × 0.4" (10mm), 2 pcs)</p> <p>3) Remove the upper partition plate. (M5 × 0.4" (10mm), 5 pcs.)</p> <p>4) Remove the screws for the support post. (M5 × 0.4" (10mm), 2 pcs.)</p> <p>5) Remove the screws for the waterproof board. (M4 × 0.4" (10mm), 2 pcs.)</p> <p>6) Remove the brazed joints of the piping connected (2 locations).</p> <div data-bbox="534 1367 1017 1464" style="border: 1px solid black; padding: 5px;"> <p>With 096 and 168 type, also remove the brazed joints of the piping connected to the sub-heat exchanger (2 locations).</p> </div> <p>7) Remove the screws for the heat exchanger end plate and pull the heat exchanger out. (M5 × 0.4" (10mm), 2 pcs.)</p>	 <p>2) Motor base 3) Discharge cabinet anchor plate</p> <p>Heat exchanger (left) Heat exchanger (right)</p>  <p>Fan 3) Discharge cabinet anchor plate</p> <p>Heat exchanger (left) Support plate (front &amp; rear)</p>  <p>4) Support post 5) Waterproof board (between left and right heat exchangers)</p>  <p>6) Brazed joints(2 locations)</p> <p>6) Brazed joints(3 locations)</p>  <p>7) Rear Support post</p> <p>Pull heat exchanger out of rear end. (Left-side heat exchanger is pulled out of front end.)</p>

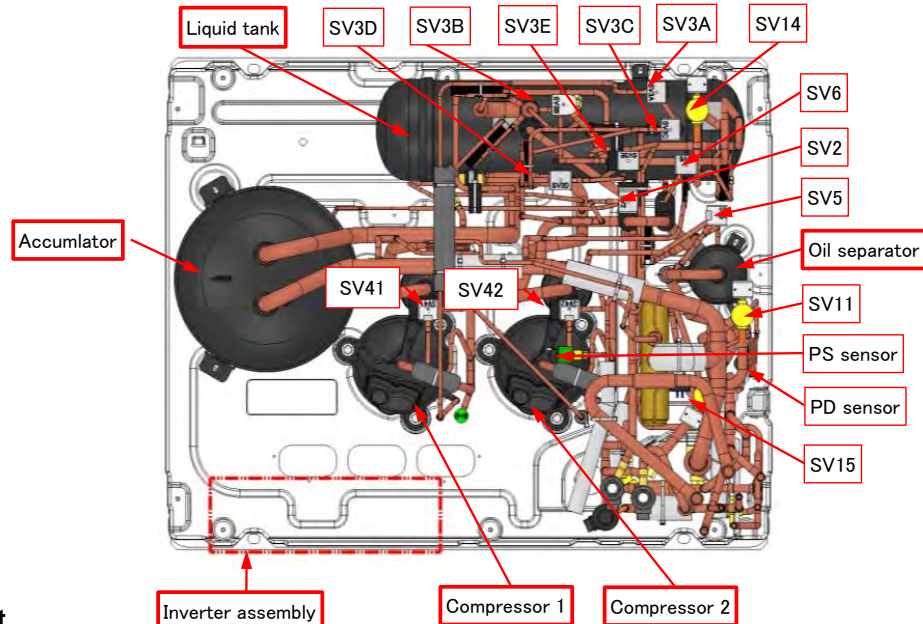
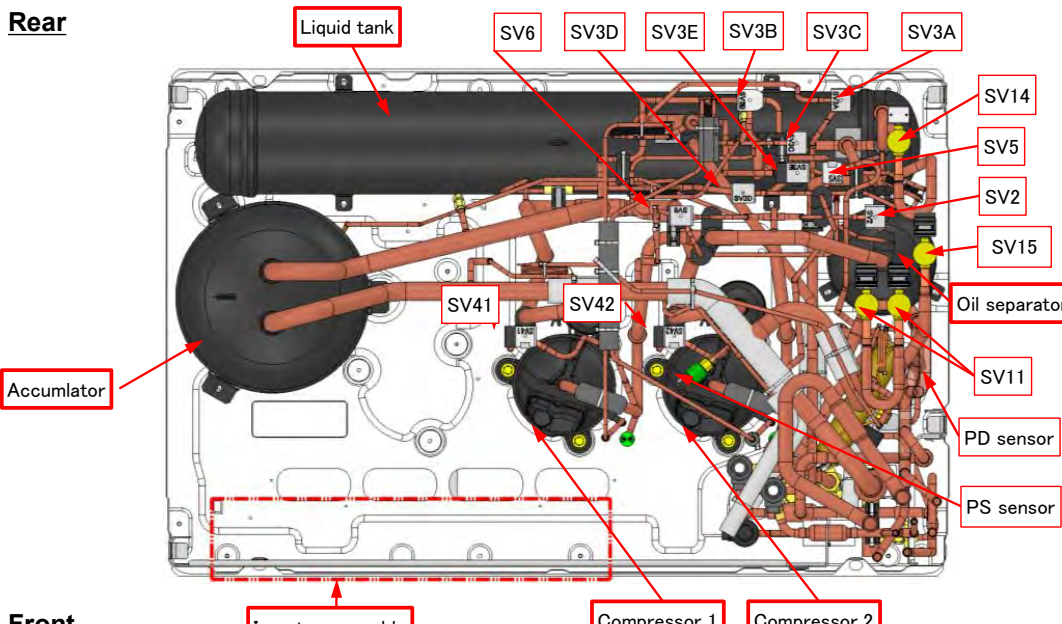
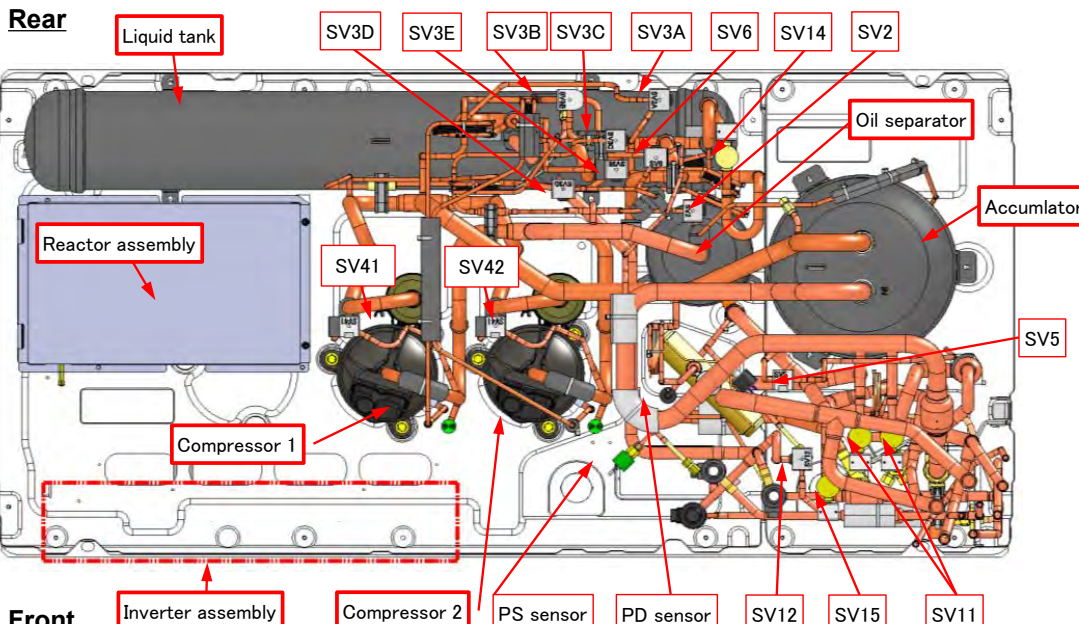


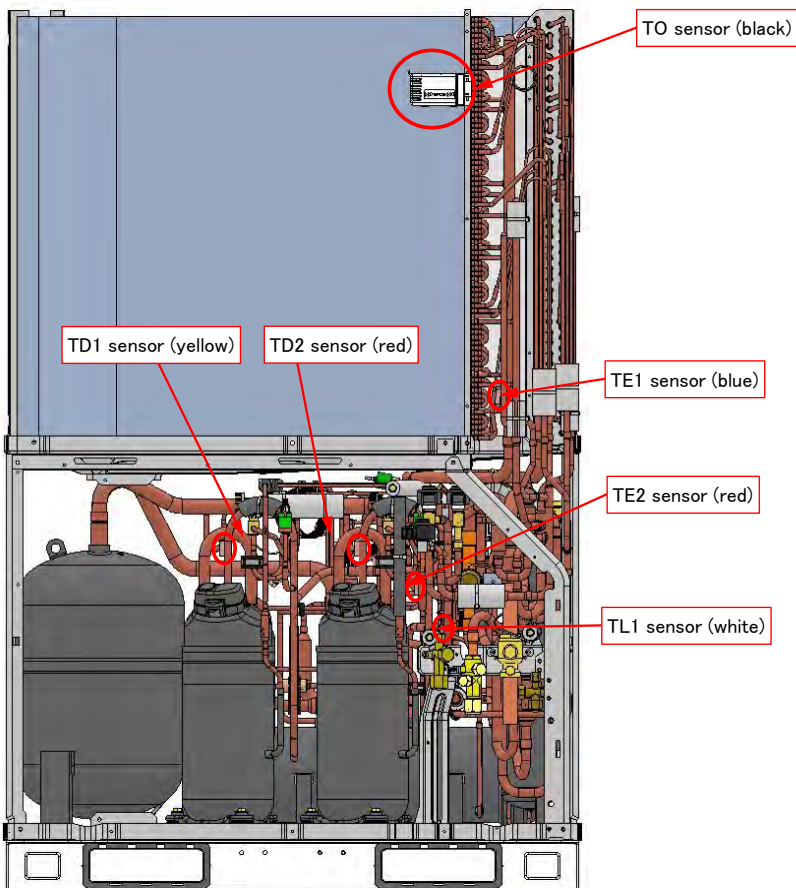
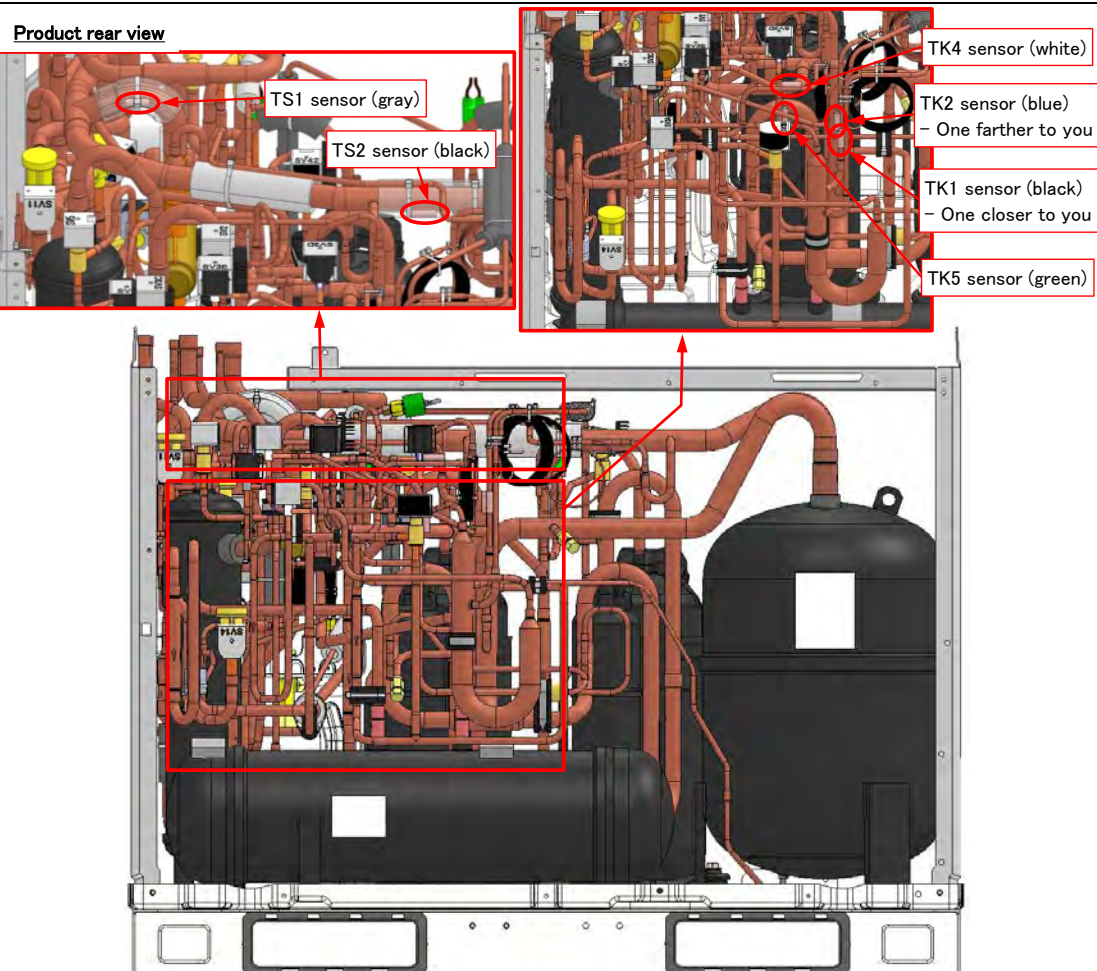
No.	Part to be replaced	Work procedure	Remarks
3	Inverter assembly	<p><b>Wear a pair of gloves. Otherwise, you will risk an injury involving a replacement part or some other object.</b></p> <p><b>1. Detachment</b></p> <p>1) Stop the air conditioner operation, and turn off the circuit breaker.</p> <p>2) Remove the inverter cover. (M4 × 0.4" (10mm), 2 pcs.)</p> <p>3) Remove the wiring. (e.g. the power supply wire, compressor leads, coils, sensors and heaters)</p> <div style="border: 1px solid black; padding: 5px; margin: 10px 0;"> <p>4) Steps only applicable to 096 to 120 type unit</p> <ul style="list-style-type: none"> <li>• Remove the reactor lead cover. (M4 × 0.4" (10mm), 1 pc.)</li> <li>• Remove the screws securing the box.(M4 × 0.4" (10mm), 1 pc.)</li> <li>• Detach the reactor leads. (4 terminal block bolts)</li> </ul> </div> <p>5) Remove the wire guard. (M4 × 0.4" (10mm), 1 pc.)</p> <p>6) Remove the screws securing the box. (M5 × 0.4" (10mm), 1 pc. each for top and bottom)</p> <div style="border: 1px solid black; padding: 5px; margin: 10px 0;"> <p>In the case of 096 to 168 type, unit: M5 × 0.4" (10mm), 3 pcs. for top and 2 pcs. for bottom</p> </div> <p>7) Disengage the hook by gently pressing down the locking lever with your finger. (The lower part of the box moves forward.)</p>	 <p>4) Screw (with arrow mark)</p> <p>Removable design</p>  <p>4)Screw (with arrow mark)</p> <p>4)Reactor lead cover</p> <p>Fan-1 IPDU Board (left side)</p> <p>Fan-2 IPDU Board (right side)</p> <p><b>072 type to 120 type</b></p>  <p>5)Screw</p> <p>5)Wire guard</p>  <p>Locking lever</p> <p><b>144 type to 168 type</b></p>  <p>5)Screw</p> <p>5)Wire guard</p> <p>5)Screw</p>  <p>Locking lever</p> <div style="display: flex; justify-content: space-around; margin-top: 20px;"> <div style="text-align: center;"> <p><b>144 type to 168 type</b></p>  <p>6)Screw</p> <p>6)Screw with arrow mark (2 locations)</p> </div> <div style="text-align: center;"> <p><b>072 type to 120 type</b></p>  <p>6)Screw</p> <p>6)Screw with arrow mark</p> </div> </div>

No.	Part to be replaced	Work procedure	Remarks
4	Inverter assembly (continued)	8) Hold the top board with both hands to disengage the top hook.	<p data-bbox="1025 332 1338 368"><b>072 type to 120 type</b></p>  <p data-bbox="1060 881 1385 917"><b>144 type and 168 type</b></p> 
		<p data-bbox="470 1399 626 1423"><b>2. Attachment</b></p> <p data-bbox="470 1427 973 1579">Carry out installation by following the dismantling procedure in reverse 8) → 1). Before pushing the lower part in, pull the reactor leads out. Take care so that the wiring does not get caught in the way. Reconnect all the wiring.</p>	

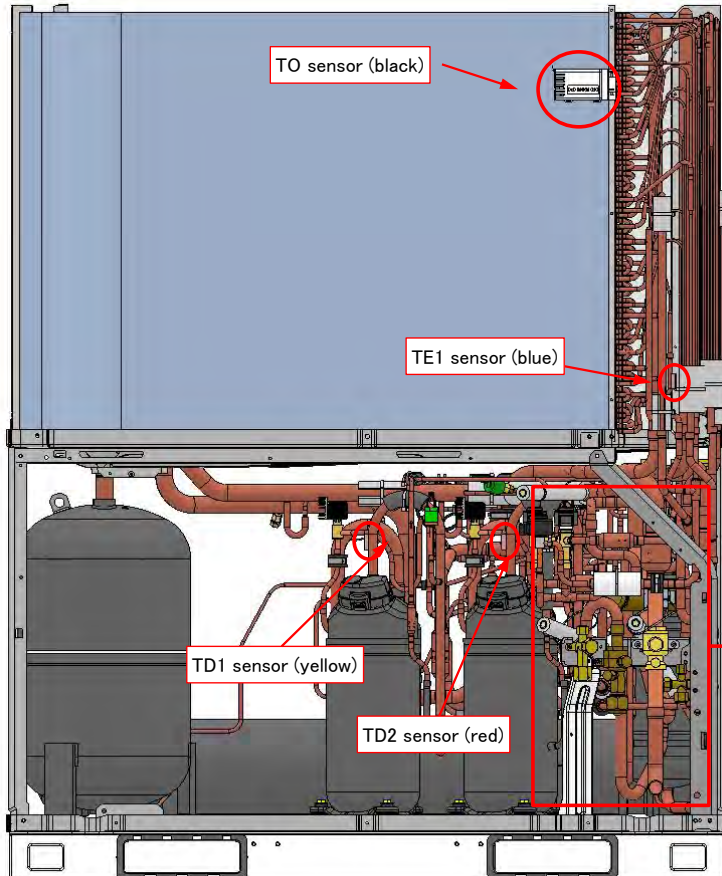
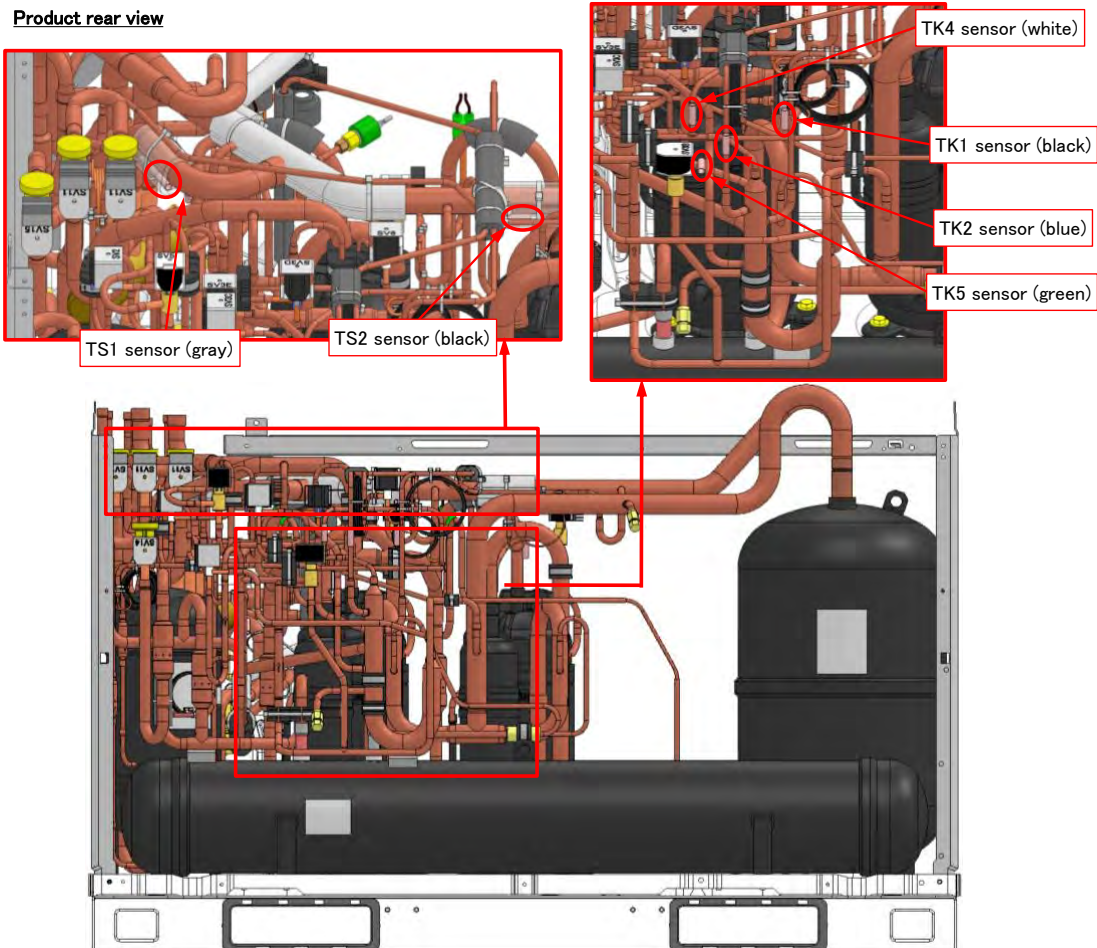
No.	Part to be replaced	Work procedure	Remarks
5	Reactor assembly	<p><b>⚠ WARNING</b></p> <p><b>Wear a pair of gloves. Otherwise, you will risk an injury involving a replacement part or some other object.</b></p> <p><b>1. Detachment</b></p> <p>1) Stop the operation, and turn off the circuit breaker.</p> <p>2) Remove the inverter assembly. (See the inverter assembly dismantling method under item 4.)</p> <p>3) With 096 to 168 type, remove the separately mounted reactor box. To remove the reactor box, remove the screws at the top and bottom (M5 × 0.4" (10mm)) and unlock the box by sliding the stopper to the right. * Before pulling the reactor box, tilt it back to free the bottom.</p> <p>4) Remove the reactor box located at the back of the inverter assembly. (M4 × 0.24" (6mm) 4 pcs.) * The screws can be removed from the front.</p> <p>With 096 and 168 type, remove the separately mounted anchor plate. (M4 × 0.24" (6mm) 4 pcs.)</p> <p>5) Remove and replace the reactor. (M4 × 0.24" (6mm) 1 pc.)</p>	<p>• 096 and 168 type case</p> <p>3) Screw Fixing claw (slide stopper to right)</p>  <p>3) Screw</p>  <p>Fixing claw (slide stopper to right)</p> <p>4)Screw(2 locations)</p>  <p>4)Screw(2 locations)</p> <p>• 072 type case</p>  <p>4)Screw (2 locations)</p> <p>4)Screw (2 locations)</p>

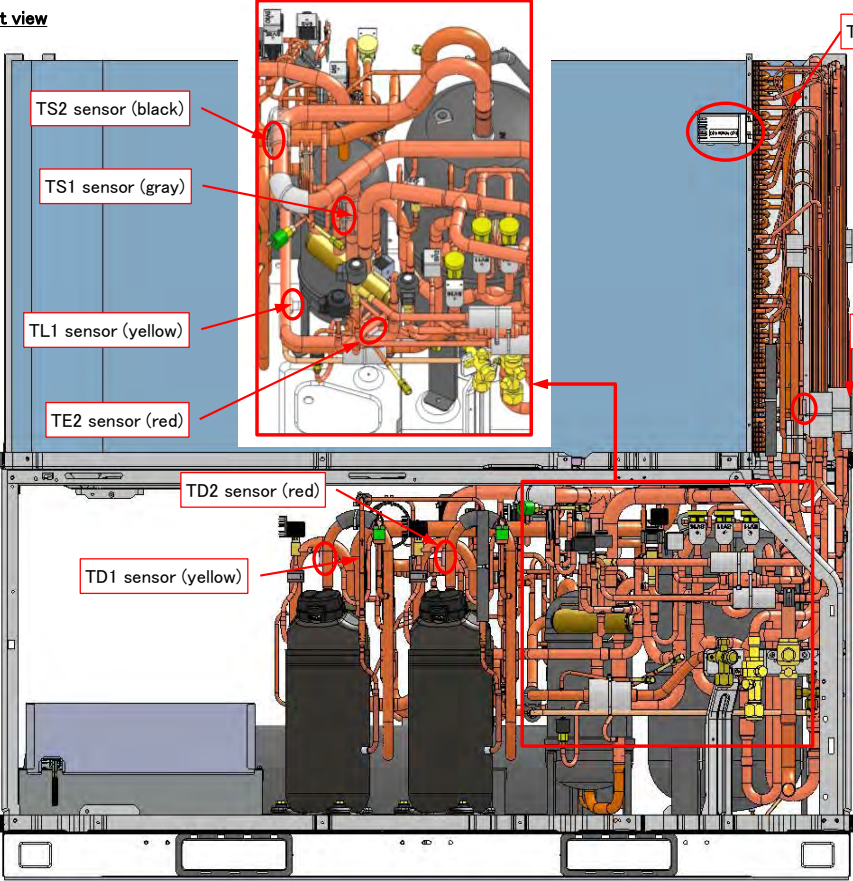
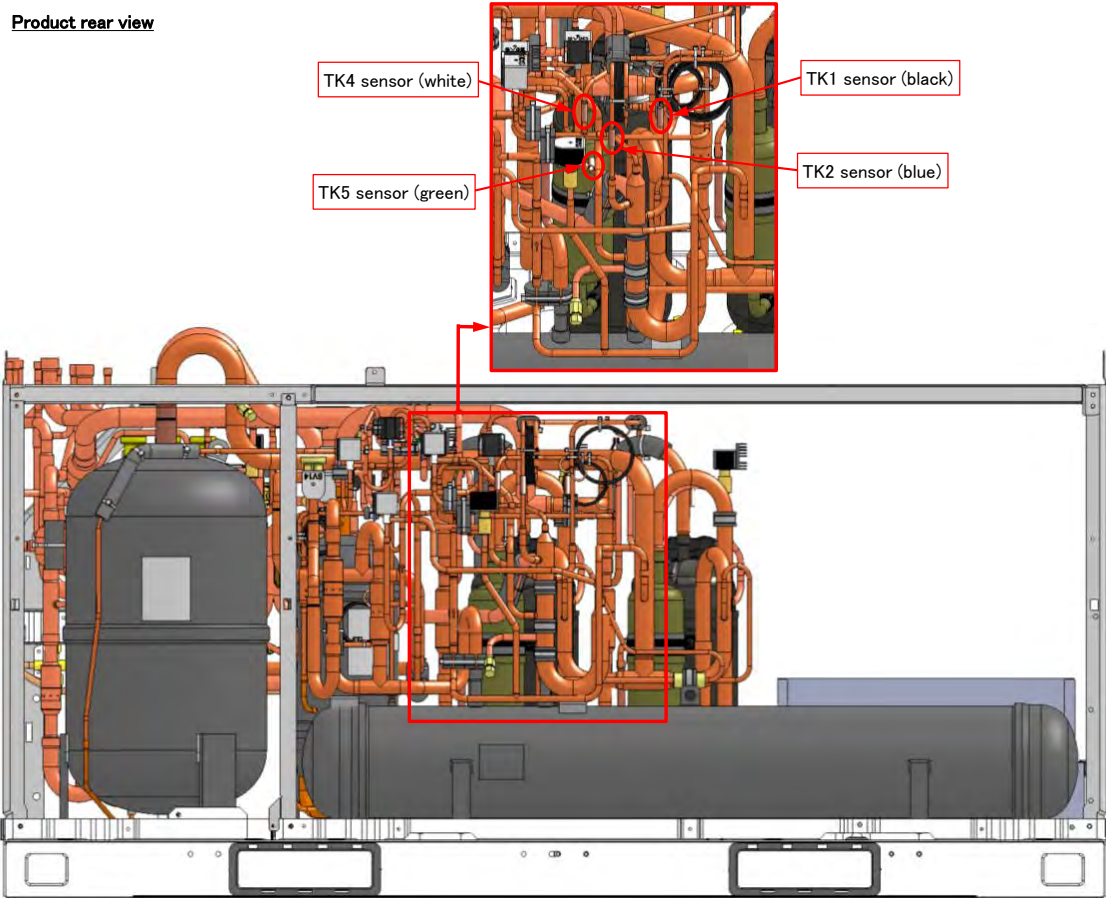


No.	Part to be replaced	Work procedure	Remarks
6	2-way valve coils Pressure sensors locations MMY- MAP0726FT9P-UL	<p><b>Rear</b></p>  <p><b>Front</b></p>	
MMY- MAP0966FT9P-UL MAP1206FT9P-UL		<p><b>Rear</b></p>  <p><b>Front</b></p>	
MMY- MAP1446FT9P-UL MAP1686FT9P-UL		<p><b>Rear</b></p>  <p><b>Front</b></p>	

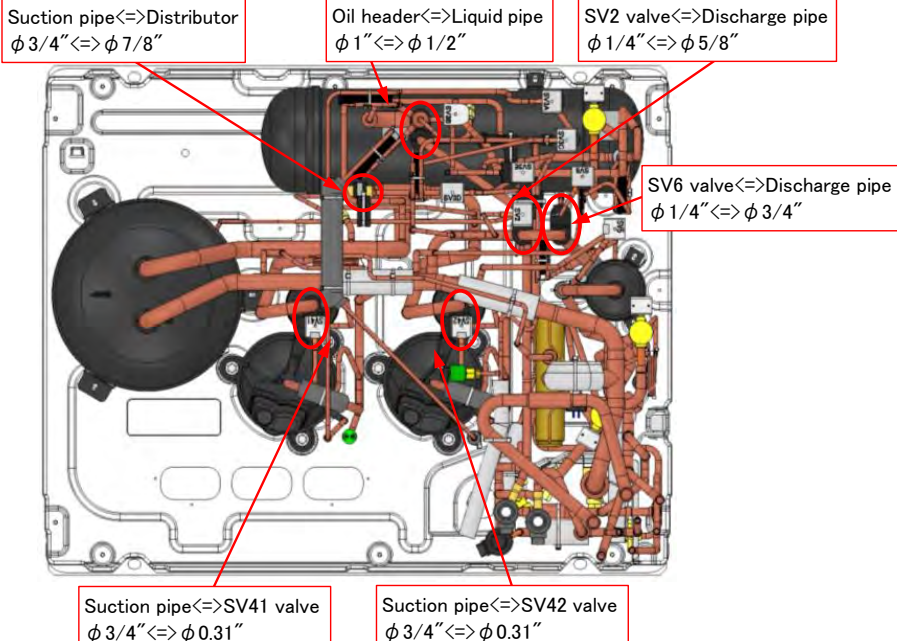
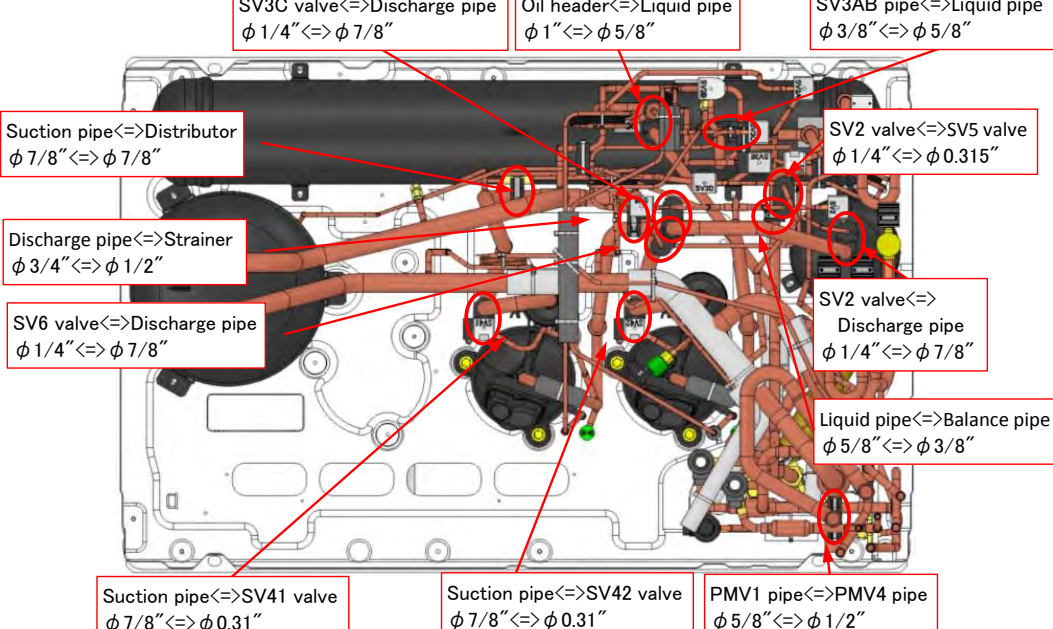
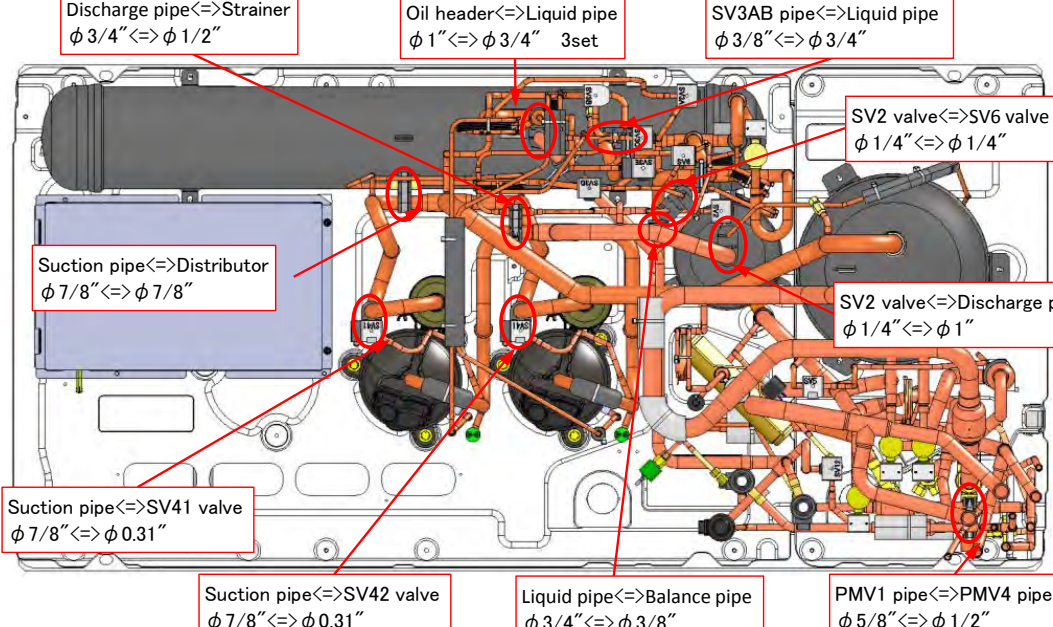
No.	Part to be replaced	Work procedure	Remarks
7	Temperature sensors - locations and identification colors MMY- MAP0726FT9P-UL	<p><b>Product front view</b></p> 	<p><b>Product rear view</b></p> 






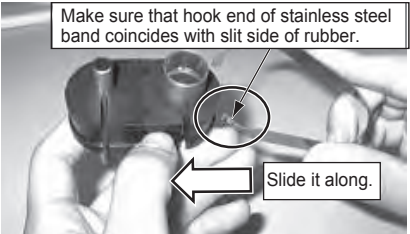
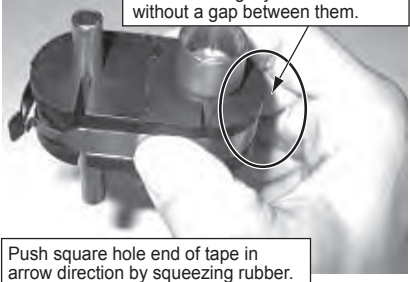
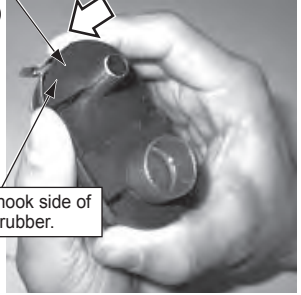
No.	Part to be replaced	Work procedure	Remarks
7	Temperature sensors - locations and identification colors MMY- MAP0966FT9P-UL MAP1206FT9P-UL	<p><b>Product front view</b></p>  <p>TO sensor (black)</p> <p>TE1 sensor (blue)</p> <p>TD1 sensor (yellow)</p> <p>TD2 sensor (red)</p>	<p><b>Product rear view</b></p>  <p>TS1 sensor (gray)</p> <p>TS2 sensor (black)</p> <p>TK1 sensor (black)</p> <p>TK2 sensor (blue)</p> <p>TK4 sensor (white)</p> <p>TK5 sensor (green)</p>

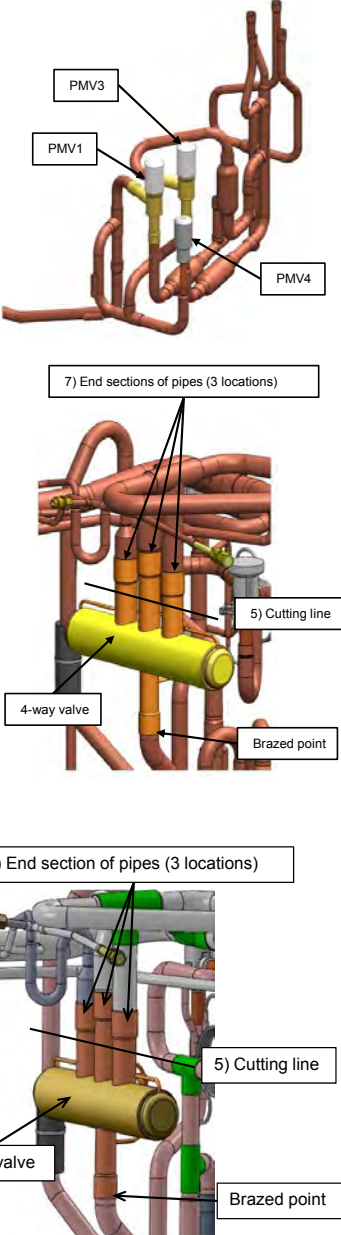
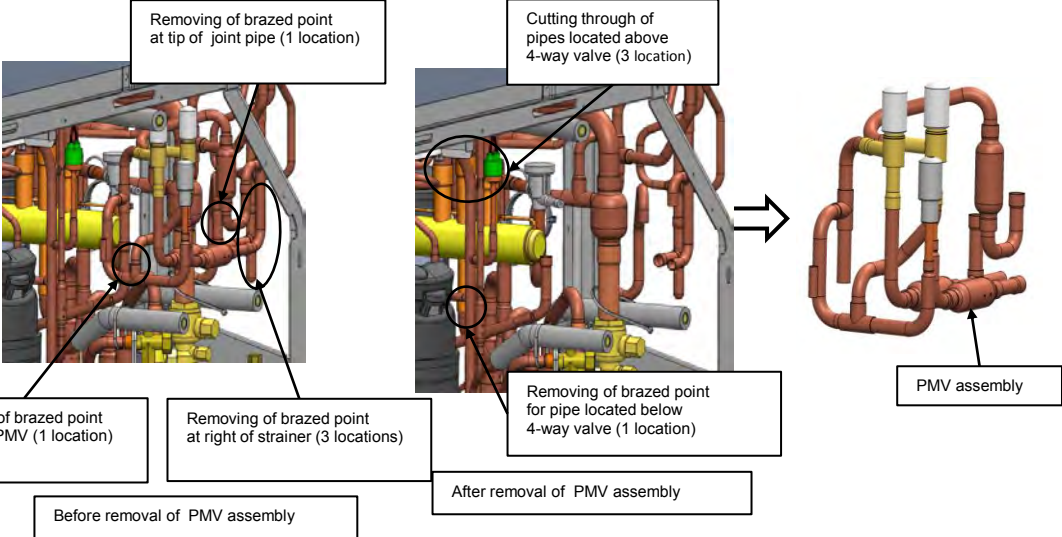
No.	Part to be replaced	Work procedure	Remarks
7	Temperature sensors - locations and identification colors MMY- MAP-1446FT9P-UL MAP-1686FT9P-UL	<p><b>Product front view</b></p>  <p>TS2 sensor (black)</p> <p>TS1 sensor (gray)</p> <p>TL1 sensor (yellow)</p> <p>TE2 sensor (red)</p> <p>TD2 sensor (red)</p> <p>TD1 sensor (yellow)</p>	<p><b>Product rear view</b></p>  <p>TK4 sensor (white)</p> <p>TK5 sensor (green)</p> <p>TK1 sensor (black)</p> <p>TK2 sensor (blue)</p> <p>TO sensor (black)</p> <p>TE1 sensor (blue)</p>

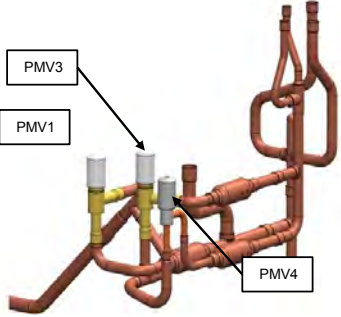
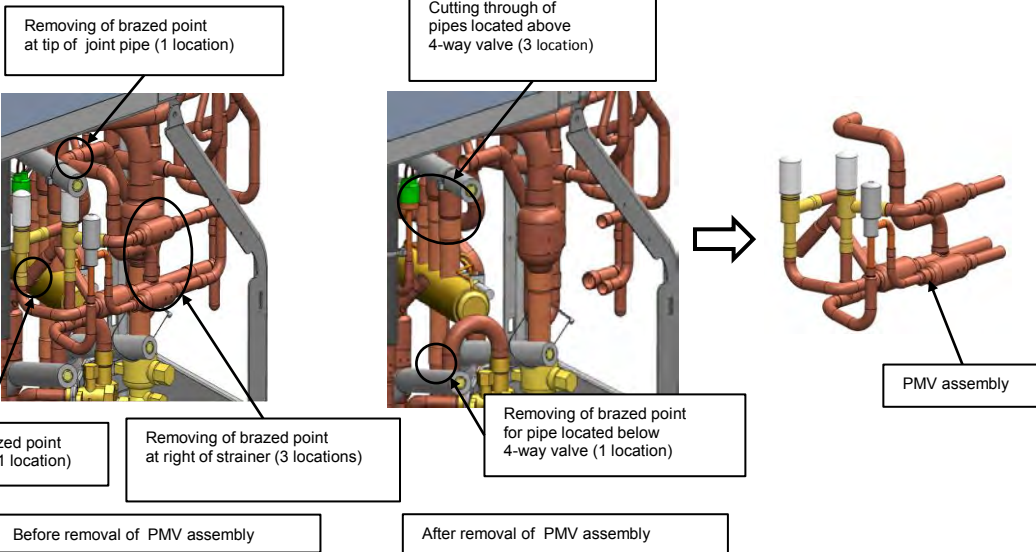


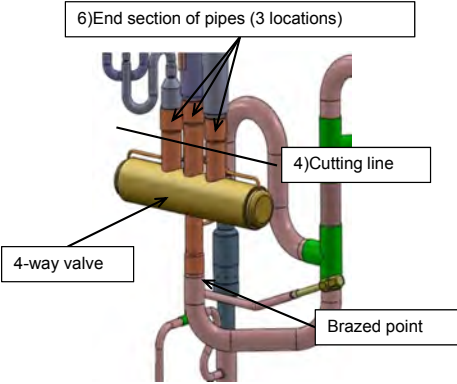
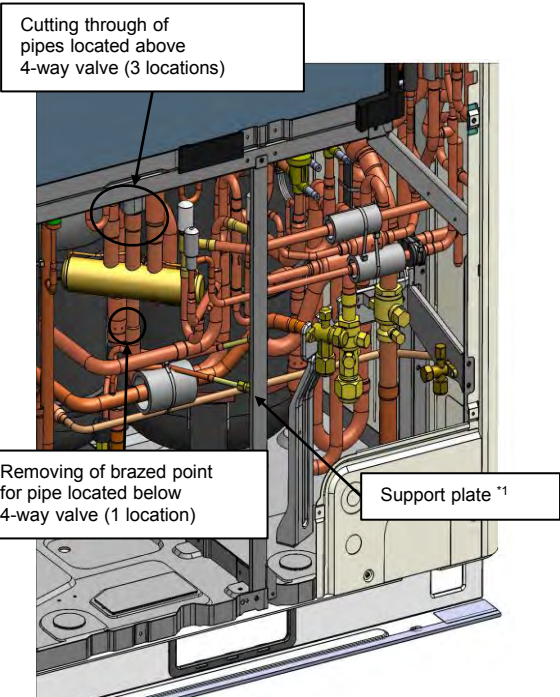
No.	Part to be replaced	Work procedure	Remarks
8	Pipe fixing rubber - detachment/ attachment MMY- MAP0726FT9P-UL		
MMY- MAP0966FT9P-UL MAP1206FT9P-UL			
MMY- MAP1446FT9P-UL MAP1686FT9P-UL			



No.	Part to be replaced	Work procedure	Remarks
8	Pipe fixing rubber - detachment/ attachment (common)	<p><b>⚠ WARNING</b></p> <p><b>Wear a pair of gloves. Otherwise, you will risk an injury involving a replacement part or some other object.</b></p> <p><b>1. Detachment</b></p> <p>1) Hold the pipe fixing rubber in such a manner that your fingers and thumb are in contact with the two longitudinal ends of the piece, and squeeze it a little to create a small gap between the rubber and the stainless steel band wrapped around it.</p> <p>2) Push the hook end of the stainless steel band down to disengage the hook from the square hole.</p> <p><b>2. Attachment</b></p> <p>1) The pipe fixing rubbers use a two-segment design to accommodate a wide range of pipe combinations. When installing them, therefore, it is recommended to first split them up into segments and pair the segments up only after placing them on pipes of matching sizes separately. In this regard, make sure that the mating tooth and slit of pairing segments face each other.</p> <p>2) When placing a stainless steel band around pipe fixing rubber, make sure that the hook end of the stainless steel band coincides with the slit side of the rubber. (The band can be placed the other way around, but only at the expense of work efficiency.)</p> <p>3) Place the stainless steel band tightly around the pipe fixing rubber so that there is no gap between them. Take utmost care not to create a gap over the curved section of the rubber where the hairpin side of the band is located.</p> <p>4) While holding the rubber, press down the base of the hook lightly against the rubber, and engage the hook with the square hole by squeezing the curved section of the rubber where the square hole side of the band is located (see the arrow). (If the hook does not engage with the square hole, recheck whether there is a gap between the band and rubber.)</p>	<p>1)  Squeeze rubber to create small gap.</p> <p>2)  Push band down in arrow direction.</p> <p>Place two segments of damper on pipes of matching sizes separately, making sure tooth and slit of pairing segments face each other.</p> <p>1)  Align tooth and slit and push two segments towards each other.</p> <p>2)  Make sure that hook end of stainless steel band coincides with slit side of rubber. Slide it along.</p> <p>Place band tightly around rubber without a gap between them.</p> <p>3)  Push square hole end of tape in arrow direction by squeezing rubber.</p> <p>4)  Press down hook side of tape against rubber.</p>

No.	Part to be replaced	Work procedure	Remarks
9	4-way valve - detachment/ attachment MMY- MAP0726FT*	<p><b>⚠ WARNING</b></p> <p><b>Wear a pair of gloves.</b> <b>Otherwise, you will risk an injury involving a replacement part or some other object.</b></p> <p>Before starting the work, be sure to recover the refrigerant of outdoor unit by removing it with a refrigerant recovery device.</p> <p><b>1. Detachment</b></p> <ol style="list-style-type: none"> <li>1) Remove the lower cabinet (front side).</li> <li>2) Remove the inverter box in accordance with the dismantling instructions.</li> <li>3) Disconnect the 4-way valve coil, SV52 valve coil (*1), PMV1 coil and PMV4 coil and get all wiring located near the 4-way valve out of the way.</li> <li>4) Remove brazed points for the PMV assembly, which is placed in front of the 4-way valve. <ul style="list-style-type: none"> <li>* Provide adequate cover for the PMV to protect it from overheating.</li> </ul> </li> <li>5) Since it is difficult to simultaneously remove the brazed points for the pipes located above the 4-way valve (3 locations), cut through them just below the brazed points using a saw, etc.</li> <li>6) Detach the pipe located below the 4-way valve.</li> <li>7) Remove the end sections of the pipes above the 4-way valve, which were cut in step 5).</li> <li>8) Install a new 4-way valve. <ul style="list-style-type: none"> <li>* Provide adequate cover for the 4-way valve to protect it from overheating. During the installation, insert pipes firmly into the 4-way valve, or a blockage or leakage involving brazing filler metal may result.</li> </ul> </li> <li>9) Reinstall the PMV assembly, which was removed in step 4). <ul style="list-style-type: none"> <li>* Provide adequate cover for the PMV to protect it from overheating.</li> </ul> </li> <li>10) Reinstall all the coils removed in step 3), and put the wiring back to its initial state.</li> <li>11) Reinstall the inverter box in accordance with the installation instructions.</li> <li>12) Reinstall the lower cabinet.</li> </ol>	
			

No.	Part to be replaced	Work procedure	Remarks
9	4-way valve - detachment/ attachment (continued) MMY- MAP0966FT* MAP1206FT*	<p><b>⚠ WARNING</b></p> <p><b>Wear a pair of gloves. Otherwise, you will risk an injury involving a replacement part or some other object.</b></p> <p>Before starting the work, be sure to recover the refrigerant of outdoor unit by removing it with a refrigerant recovery device.</p> <p><b>1. Detachment</b></p> <ol style="list-style-type: none"> <li>1) Remove the lower cabinet (front side).</li> <li>2) Remove the inverter box in accordance with the dismantling instructions.</li> <li>3) Disconnect the 4-way valve coil, SV52 valve coil (*1), PMV1 coil and PMV4 coil and get all wiring located near the 4-way valve out of the way.</li> <li>4) Remove brazed points for the PMV assembly, which is placed in front of the 4-way valve. <ul style="list-style-type: none"> <li>* Provide adequate cover for the PMV proper to protect it from overheating.</li> </ul> </li> <li>5) Since it is difficult to simultaneously remove the brazed points for the pipes located above the 4-way valve (3 locations), cut through them just below the brazed points using a saw, etc.</li> <li>6) Detach the pipe located below the 4-way valve.</li> <li>7) Remove the end sections of the pipes above the 4-way valve, which were cut in step 5).</li> <li>8) Install a new 4-way valve. <ul style="list-style-type: none"> <li>* Provide adequate cover for the 4-way valve to protect it from overheating. During the installation, insert pipes firmly into the 4-way valve, or a blockage or leakage involving brazing filler metal may result.</li> </ul> </li> <li>9) Reinstall the PMV assembly, which was removed in step 4). <ul style="list-style-type: none"> <li>* Provide adequate cover for the PMV to protect it from overheating.</li> </ul> </li> <li>10) Reinstall all the coils removed in step 3), and put the wiring back to its initial state.</li> <li>11) Reinstall the inverter box in accordance with the installation instructions.</li> <li>12) Reinstall the lower cabinet.</li> </ol>	 <p>PMV3 PMV1 PMV4</p> <p>7) End sections of pipes (3 locations)</p> <p>5) Cutting</p> <p>4-way valve Brazed point</p> <p>5) Cutting line</p> <p>4-way valve Brazed point</p>
		 <p>Removing of brazed point at tip of joint pipe (1 location)</p> <p>Removing of brazed point at back of PMV (1 location)</p> <p>Removing of brazed point at right of strainer (3 locations)</p> <p>Cutting through of pipes located above 4-way valve (3 location)</p> <p>Removing of brazed point for pipe located below 4-way valve (1 location)</p> <p>Before removal of PMV assembly</p> <p>After removal of PMV assembly</p> <p>PMV assembly</p>	

No.	Part to be replaced	Work procedure	Remarks
9	4-way valve - detachment/ attachment (continued) MMY- MAP1446FT* MAP1686FT*	<p><b>⚠ WARNING</b></p> <p><b>Wear a pair of gloves. Otherwise, you will risk an injury involving a replacement part or some other object.</b></p> <hr/> <p>Before starting the work, be sure to recover the refrigerant of outdoor unit by removing it with a refrigerant recovery device.</p> <p><b>1. Detachment</b></p> <ol style="list-style-type: none"> <li>1) Remove the lower cabinet (left and right).</li> <li>2) Remove the inverter box in accordance with the dismantling instructions.</li> <li>3) Disconnect the 4-way valve coil and get all wiring located near the 4-way valve out of the way.</li> <li>4) Since it is difficult to simultaneously remove the brazed points for the pipes located above the 4-way valve (3 locations), cut through them just below the brazed points using a saw, etc.</li> <li>5) Detach the pipe located below the 4-way valve.</li> <li>6) Remove the end sections of the pipes above the 4-way valve, which were cut in step 5).</li> <li>7) Install a new 4-way valve. <ul style="list-style-type: none"> <li>* Provide adequate cover for the 4-way valve to protect it from overheating. During the installation, insert pipes firmly into the 4-way valve, or a blockage or leakage involving brazing filler metal may result.</li> </ul> </li> <li>8) Reinstall all the coils removed in step 3), and put the wiring back to its initial state.</li> <li>9) Reinstall the inverter box in accordance with the installation instructions.</li> <li>10) Reinstall the lower cabinet.</li> </ol>	  <p>*1) Be careful for support-plate near the 4way-valve when conduct the replacement.</p>



# 14 P.C. BOARD EXCHANGE PROCEDURES

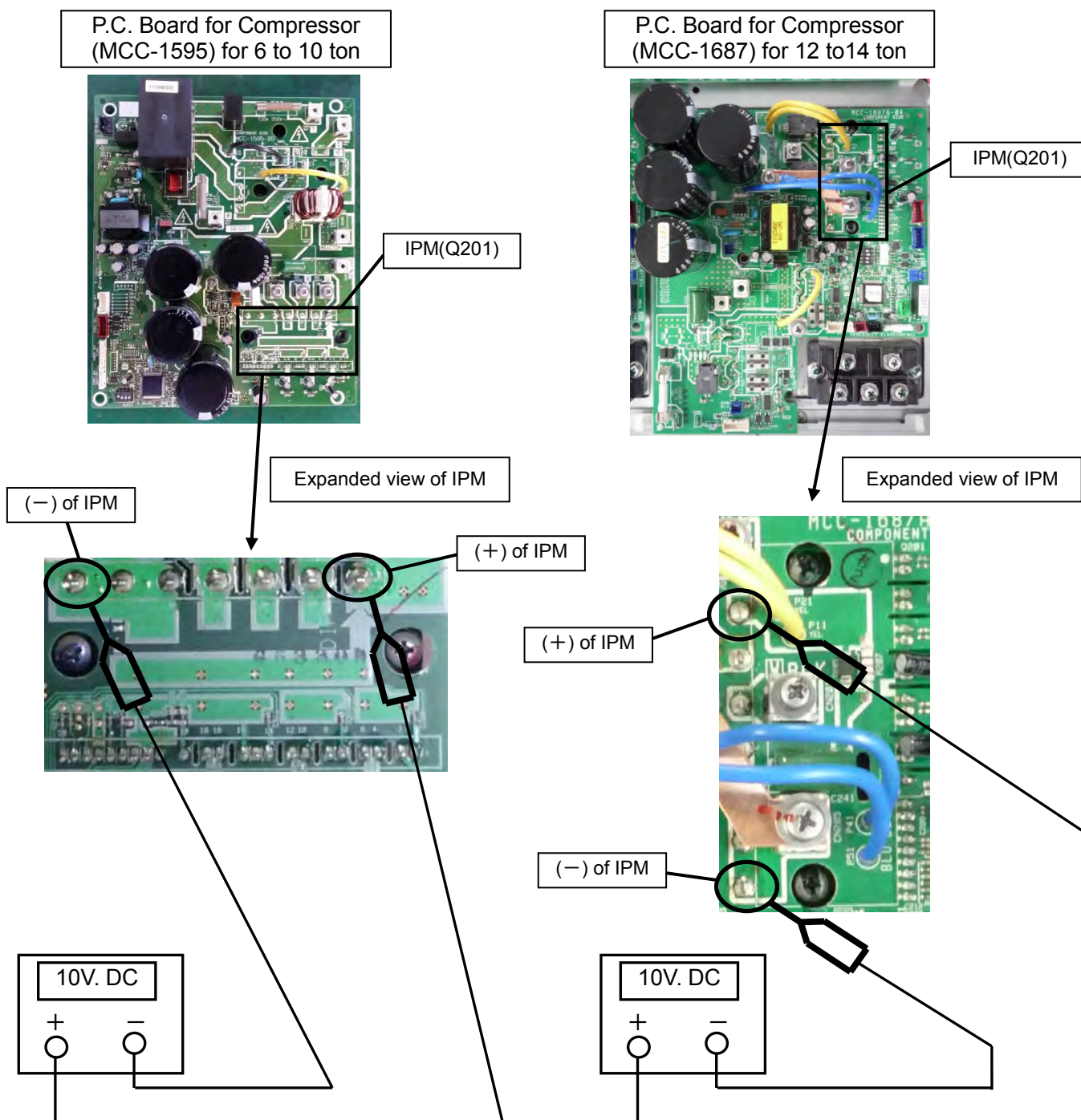
## ■ Outdoor Unit

### 14-1. Replacement of outdoor P.C. board

※Before replacing P.C. board, turn off the power supply of the outdoor unit.

Immediately after turning off the power of the outdoor unit, the electrolytic capacitors inside the unit will still have a high voltage, and there is a risk of electric shocks. Therefore, wait at least 5 minutes after turning off the power before starting the replacement procedure.

Using a voltmeter as shown below, confirm that the P.C. board (Compressor) voltage between (+) and (-) (of IPM Q201) is 10VDC or less.



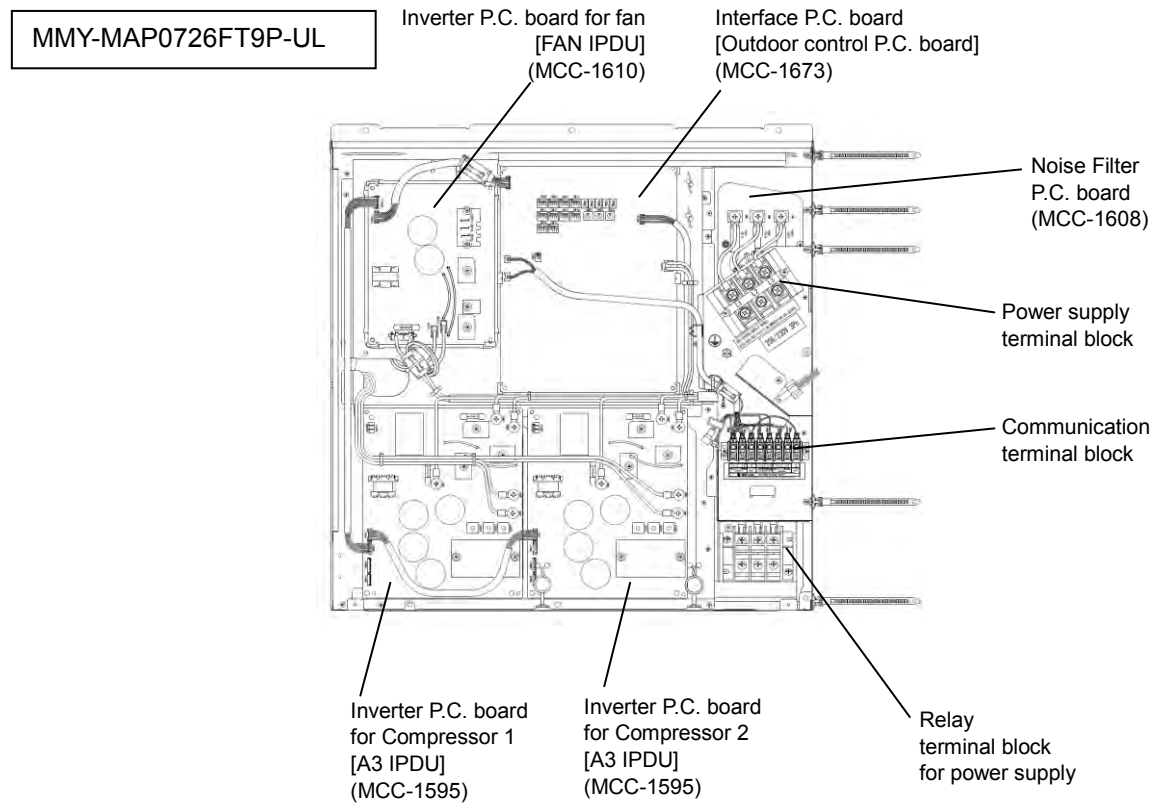
## 14-1-1. List of service P.C. boards

Parts code	Description	Applicable model	P.C. board type code	Product code
43T6V995	Interface P.C. board	MMY-MAP0726FT9P-UL	MCC-1673	S-ASM-PCB(I/F)
43T6V778	Inverter P.C. board for compressor		MCC-1595	S-ASM-PCB(A3IPDU)
43T6V776	Inverter P.C. board for fan		MCC-1610	S-ASM-PCB(FAN)
43T6V777	Noise filter P.C. board		MCC-1608-A,B	S-ASM-PCB(N/F)

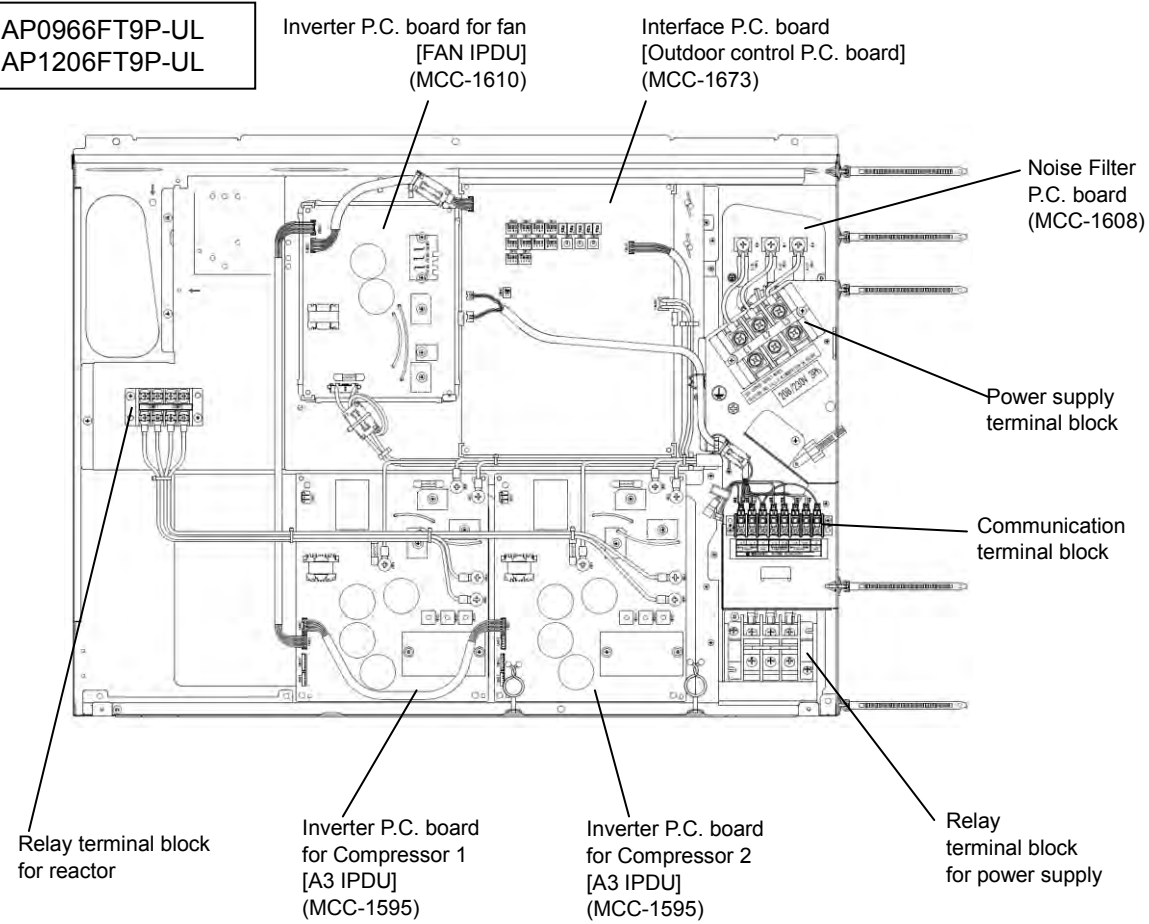
Parts code	Description	Applicable model	P.C. board type code	Product code
43T6V995	Interface P.C. board	MMY-MAP0966FT9P-UL	MCC-1673	S-ASM-PCB(I/F)
43T6V779	Inverter P.C. board for compressor		MCC-1595	S-ASM-PCB(A3IPDU)
43T6V776	Inverter P.C. board for fan	MMY-MAP1206FT9P-UL	MCC-1610	S-ASM-PCB(FAN)
43T6V777	Noise filter P.C. board		MCC-1608-A,B	S-ASM-PCB(N/F)

Parts code	Description	Applicable model	P.C. board type code	Product code
43T6V995	Interface P.C. board	MMY-MAP1446FT9P-UL MMY-MAP1686FT9P-UL	MCC-1673	S-ASM-PCB(I/F)
43T6V780	Inverter P.C. board for compressor		MCC-1687-A,B External Varistor assembly	S-ASM-PCB(A3IPDU)
43T6V776	Inverter P.C. board for fan		MCC-1659	S-ASM-PCB(FAN)
43T6V781	Noise filter P.C. board		MCC-1680	S-ASM-PCB(N/F)

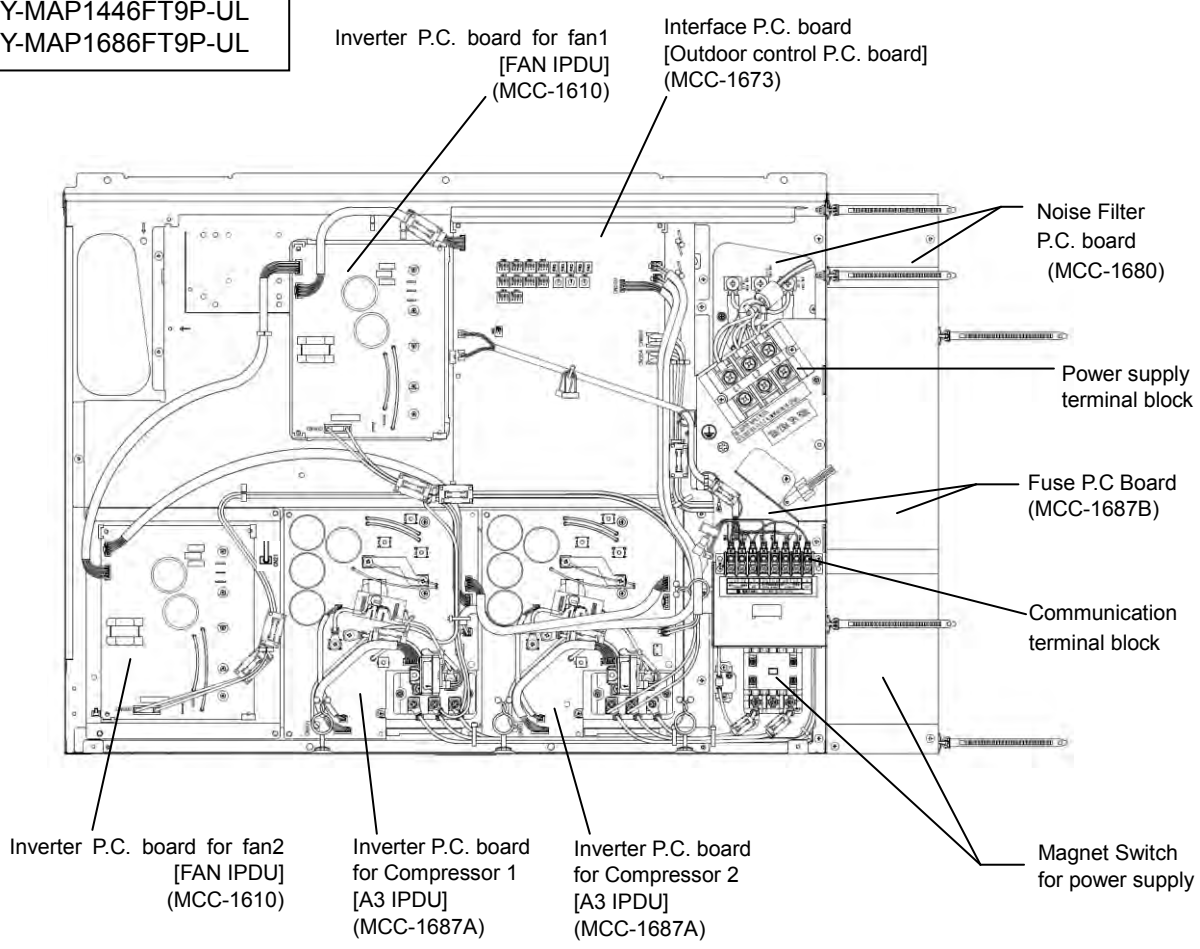
## 14-1-2 Configuration of inverter assembly



MMY-MAP0966FT9P-UL  
MMY-MAP1206FT9P-UL



MMY-MAP1446FT9P-UL  
MMY-MAP1686FT9P-UL





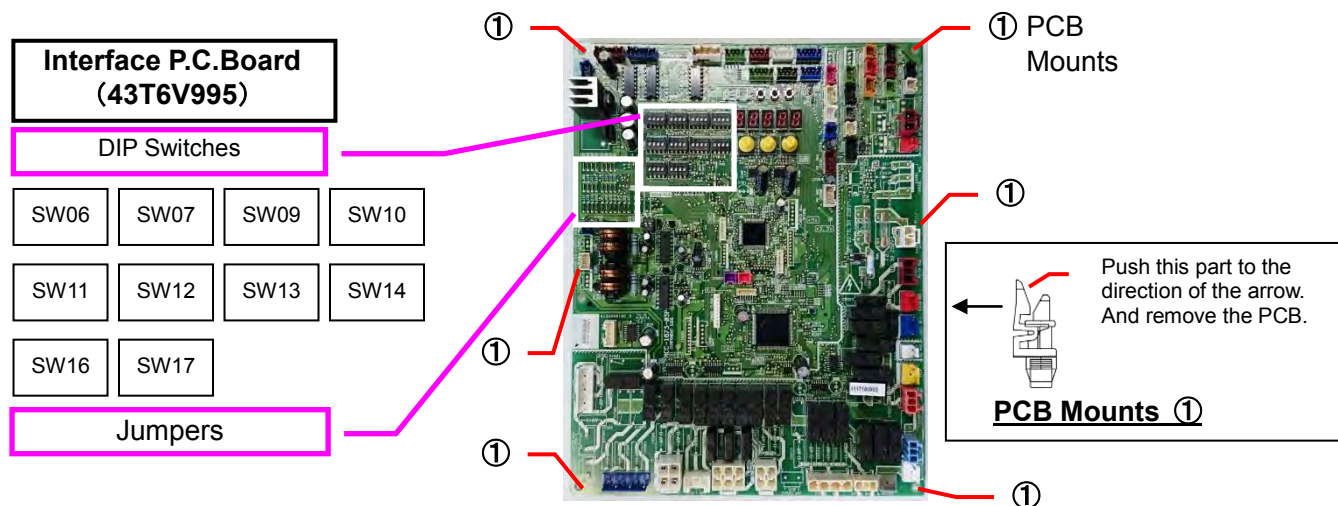
### 14-1-3.Interface P.C. Board (MCC-1673) Replacement Procedure

This Interface board is commonly installed in different models before shipment. When the board assembly is to be replaced, check the displayed inspection contents below and replace the board in accordance with the model, following the below procedure.

#### Replacement steps:

- (1) Turn off the power supply of the outdoor unit and wait at least 5 minutes.
- (2) Remove all of the connectors connected to the interface board. (Remove the connectors by pulling the connector body. Do not pull the wire).
- (3) Remove the interface board from the six PCB mounts (①).
- (4) Cut the jumper wires of the service board, as instructed in the table below.  
The jumper setting differs from original supplied PCB, therefore be sure to configure the Jumpers as in the table below.  
If the model is not specified, check code "L10" is displayed and the equipment will not operate.

Model name	Model size	J09	J10	J11	J12	J22	J25
Service P.C. Board		Yes	Yes	Yes	Yes	Yes	Yes
MMY-MAP0726FT9P-UL	990W	—	Cut	—	—	—	Cut
MMY-MAP0966FT9P-UL	1210W	Cut	—	—	—	—	Cut
MMY-MAP1206FT9P-UL		Cut	Cut	Cut	Cut	—	Cut
MMY-MAP1446FT9P-UL	1600W	Cut	—	Cut	Cut	—	Cut
MMY-MAP1686FT9P-UL		—	—	Cut	Cut	—	Cut



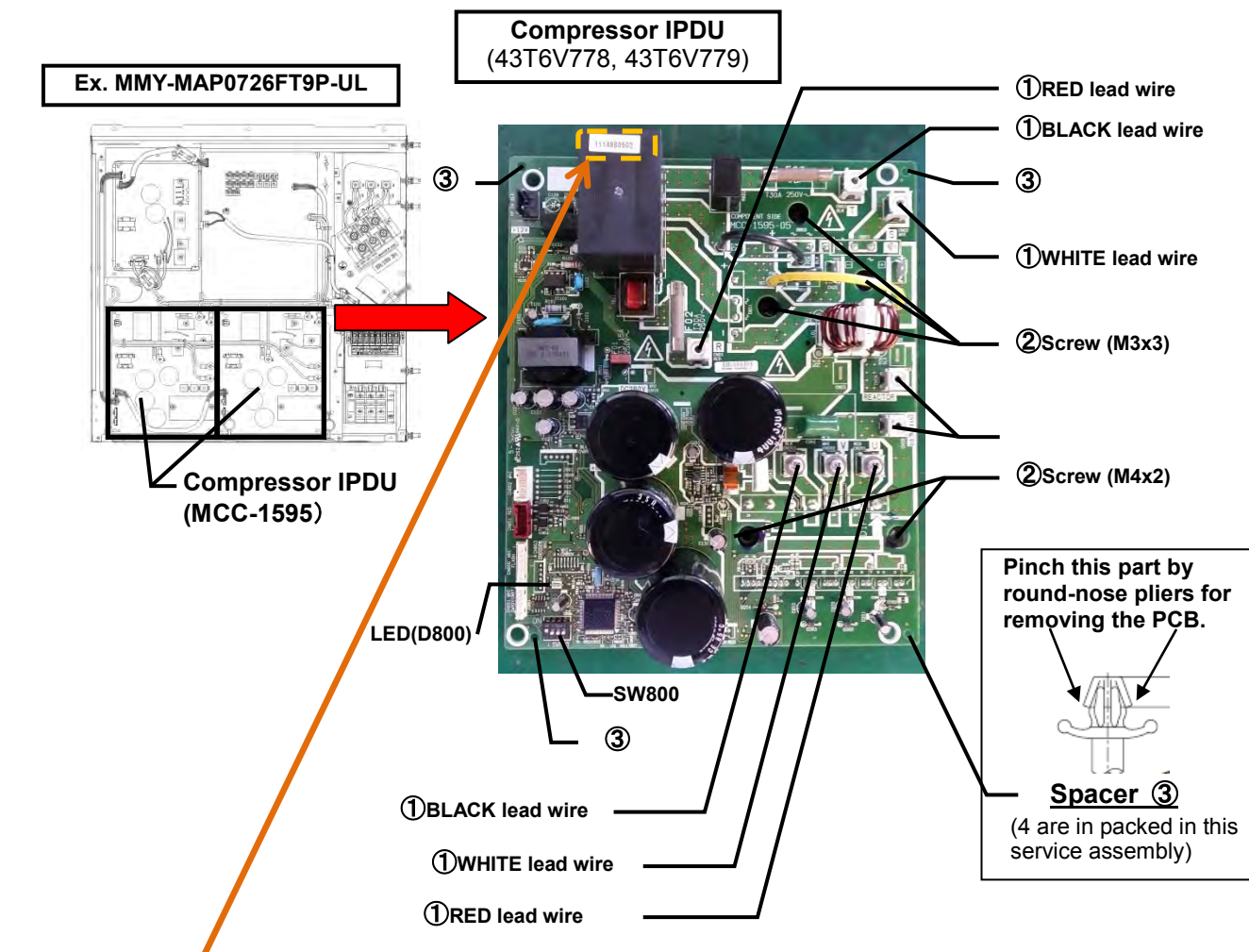
- (5) Set the DIP switch settings of the service board to match the switch settings of the PCB being replaced.
- (6) Install the service board to the outdoor control unit (Confirm that it is securely fixed to the PCB Mounts).
- (7) Connect the connectors (Confirm that they are correctly and securely inserted).
- (8) If a component on the board is bent during board replacement, adjust it manually ensuring that it is not short or contact other parts.
- (9) Install the cover, then turn on the power supply. Check the operation.

## 14-1-4.Comp-IPDU P.C. Board (MCC-1595) Replacement Procedure <6 to 10 ton outdoor unit case>

This board is commonly installed in different models before shipment. Set the DIP switch (SW800) setting of the service board to the switch setting before replacement.

### Replacement Steps:

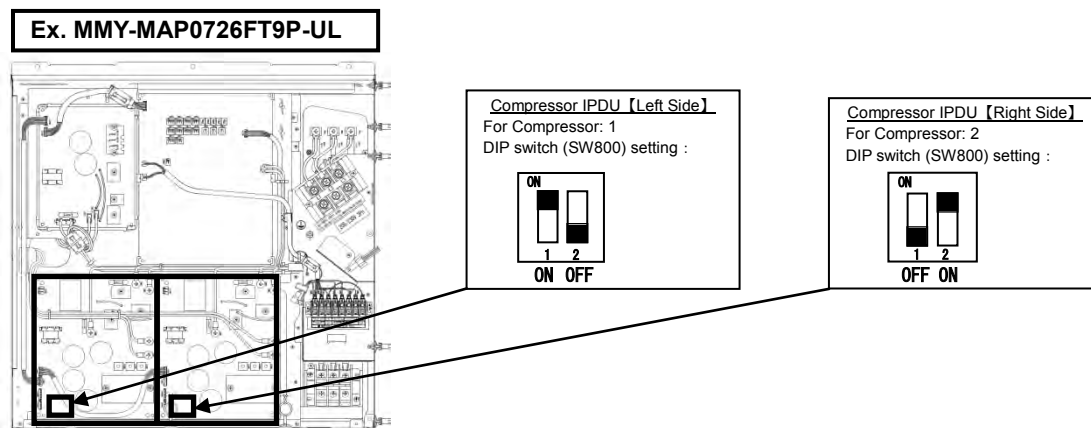
- (1) Turn off the power supply of the outdoor unit and allow at least 5 minutes for the capacitor to discharge.  
Before going to Step (2), Check the light of LED(D800) turned off.
- (2) Remove all the connectors and the Faston and screw terminals(①) connected to the Compressor IPDU.  
(Remove the connectors by pulling the connector body. Do not pull the wire).
- (3) Remove all the five screws(②) which secures the Compressor IPDU to the Heat sink.  
(These screws are to be re-used after procedure.)
- (4) Remove the Compressor IPDU from the four spacers (③) by pinching the top of the spacers by round-nose pliers.



Check the label printing, and don't miss the Part No. of Comp-IPDU.

Part No.	Type name: MMY-MAP****		Label printing
	0726 FT9P-UL	0966/1206 FT9P-UL	
43T6V778	○		1114980502
43T6V779		○	1114980503

- (5) Set the DIP switch (SW800) setting of the service board to match the switch setting from the original PCB.  
 -Set the DIP switch (SW800) depending on the position of the IPDU within the electrical box, as shown in the following diagram.



- (6) Apply the Silicone Thermal Grease to the semiconductors (DB01, DB02, DB03, Q201) on the service PC board, and align the positions of the heat sink holes to mount the Compressor IPDU on the outdoor control unit. And fix the Compressor IPDU to the outdoor control unit by the spacers (③).

Uniformly apply the Silicone Thermal Grease to the heat dissipating surfaces of the IPM (Q201) and rectifier (DB01, DB02, DB03).  
 Note: Do this work carefully since allowing any dirt, scratches, etc. to be left on the PC board mounting areas of the semiconductors will impair the heat dissipation effect and may result in a failure.

Silicone Thermal Grease use one of the following

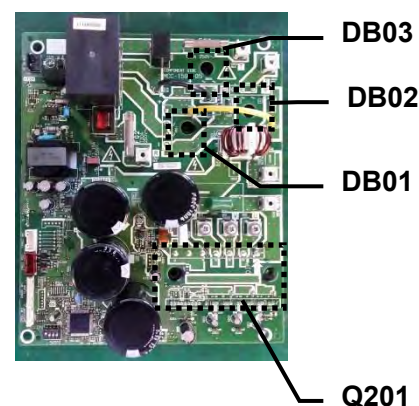
- Momentive Performance Materials "TIG1000"
- Dow Corning Toray "SC102"
- Mizutani Electric Ind "HSC1000"
- Shin-Etsu Chemical "G-746" or "G-747"

- (7) Screw the Compressor IPDU to the heat sink by the five screws that were removed in step (3). If the screws are loose, the effect component will generate heat, and cause it to breakdown. Do not use an electric driver or an air driver. As it can cause component damage. The torque of the screws are referred to table below.

Screw tightening torque (ft·lbs)

Screw diameter	Torque(ft·lbs)
M4 (for Q201)	0.89(1.2N·m)
M3 (for DB01, DB02, DB03)	0.37(0.5N·m)

- (8) Re-connect the connectors and screw terminals (①&②).  
 Be sure that all the connectors and the screw terminals are connected correctly and securely inserted.
- (9) If the components on the PCB were bent during this procedure, straighten them so they do not touch other parts.
- (10) Install the cover, then turn on the supply. Check the operation.



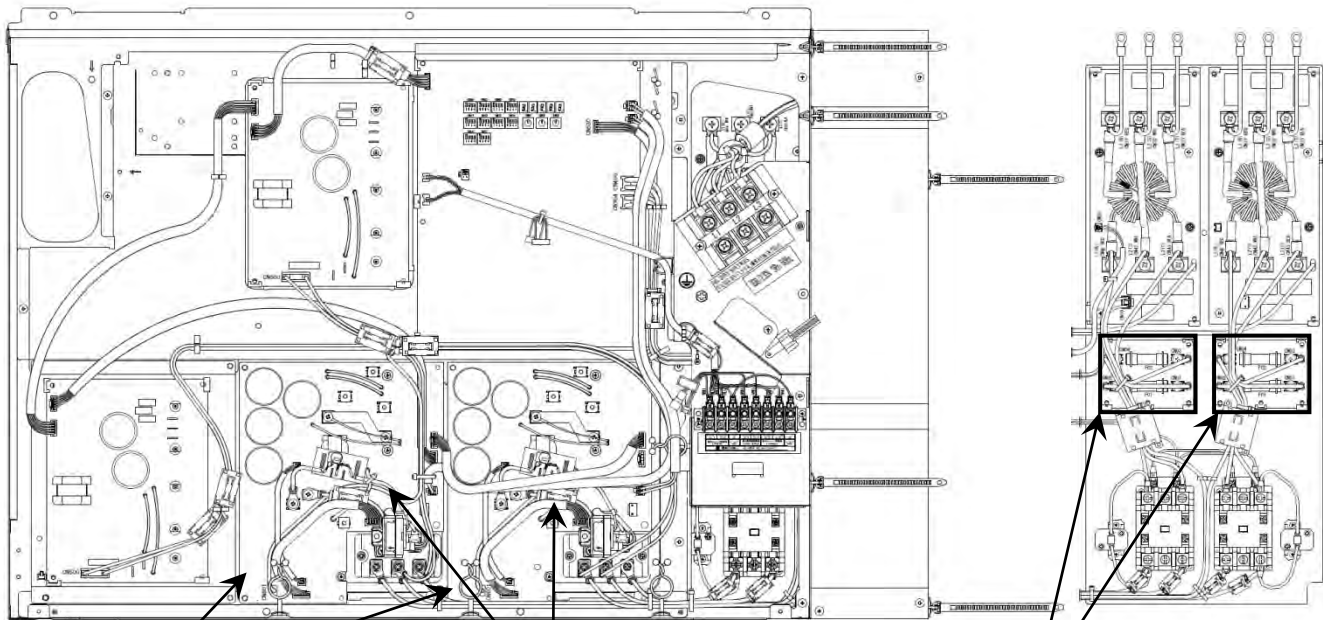
# 14-1-5 Comp IPDU P.C. Board (MCC-1687A,B & External Varistor Assembly) Replacement Procedure <12 to 14 ton outdoor unit case>

Compressor IPDU(43T6V780) includes three component parts.

- (1) Comp IPDU P.C. Board (MCC-1687A) & External Varistor Assembly
- (2) Fuse P.C. Board (MCC-1687B)

Layout of Inverter  
(for 12 to 14 ton outdoor unit case)

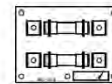
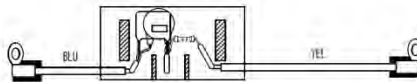
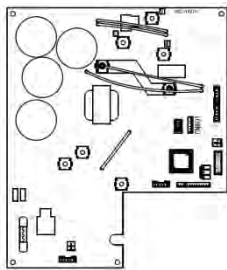
Layout of  
Noise Filter BOX



(1) Comp IPDU P.C. Board  
(MCC-1687A)

(1) External Varistor Assembly

(2) Fuse P.C. Board  
(MCC-1687B)

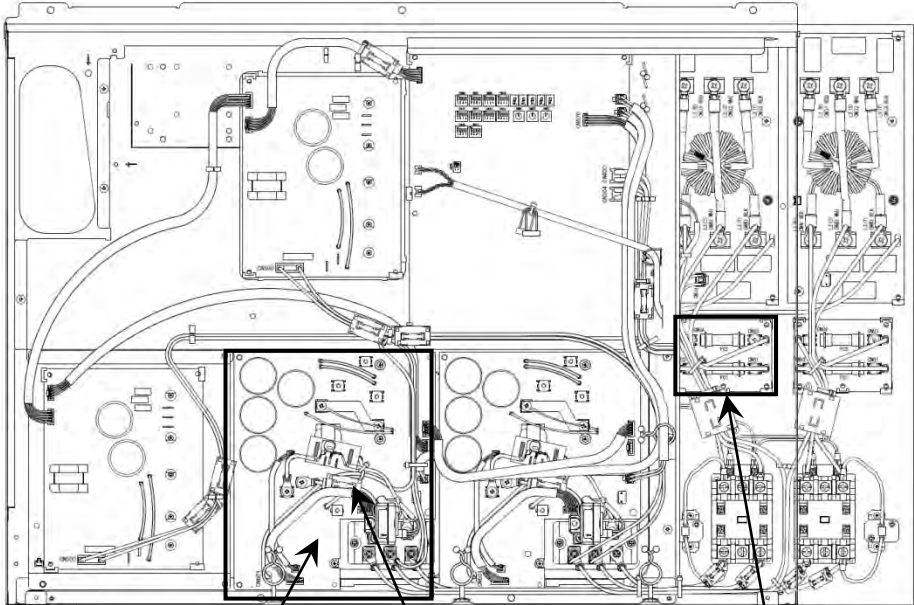


The construction of the components

For the pair of three component parts, refer to the drawings below.

- Pair of Comp-IPDU 1 (Left Side)

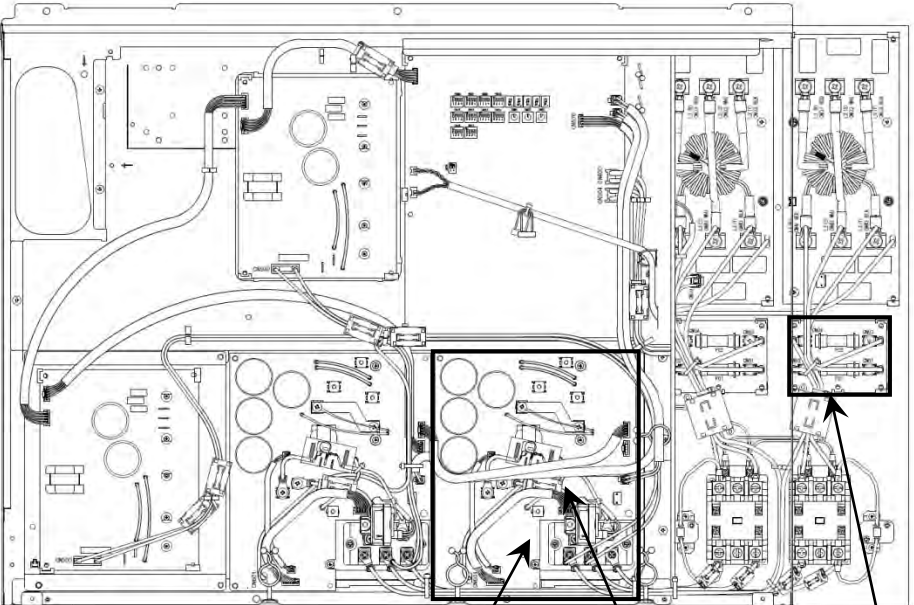
Ex. MMY-MAP1686FT9P-UL



Comp IPDU P.C. Board 1      External Varistor Assembly 1      Fuse P.C. Board 1

- Pair of Comp-IPDU 2 (Right Side)

Ex. MMY-MAP1686FT9P-UL



Comp IPDU P.C. Board 2      External Varistor Assembly 2      Fuse P.C. Board 2

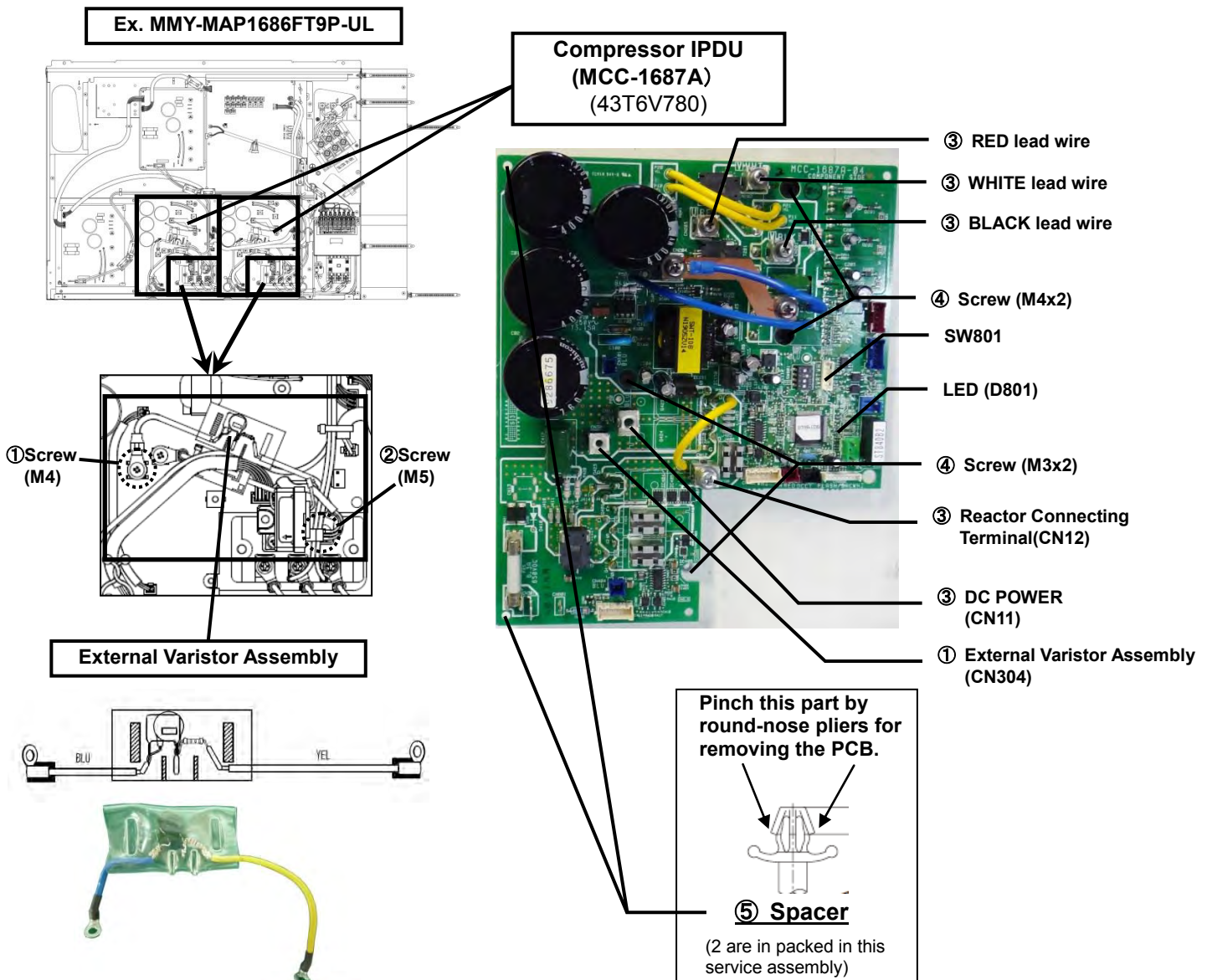


## 14-1-5 (1) Comp IPDU (MCC-1687A) & External Varistor Assembly Replacement Procedure <12 to 14 ton outdoor unit case>

This board is commonly installed in different models before shipment. Set the DIP switch (SW801) setting of the service board to the switch setting before replacement.

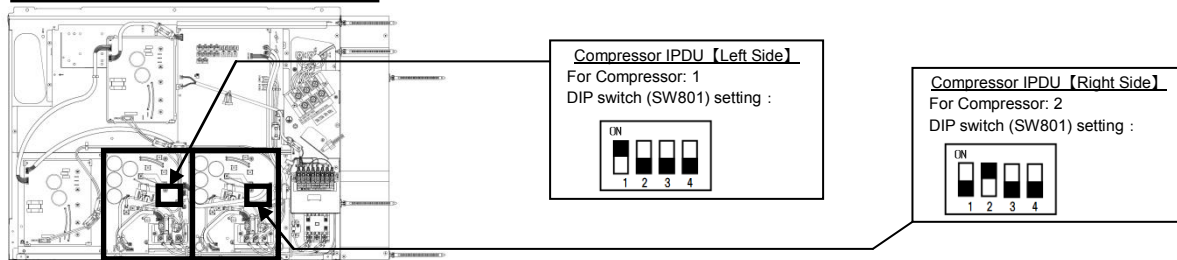
### Replacement Steps:

- (1) Turn off the power supply of the outdoor unit and allow at least 5 minutes for the capacitor to discharge.  
Check the light of LED(D801) turned off.
- (2) Remove the screw for External Varistor Assembly (①&②).
  - The removed screws (①&②) will be re-used during the installation of the service External Varistor Assembly, so keep them in a safe place.
- (3) Remove all the connectors and screw terminals (③) connected to the Compressor IPDU.  
(Remove the connectors by pulling the connector body. Do not pull the wire).
- (4) Remove all the four screws (④) which secures the Compressor IPDU to the Heat sink.  
(These screws are to be re-used after procedure.)
- (5) Remove the Compressor IPDU from the four spacers (⑤) by pinching the top of the spacers by round-nose pliers.



- (6) Set the DIP switch (SW801) setting of the service board to match the switch setting with the original PCB.  
 -Set the DIP switch (SW801) depending on the position of the IPDU within the electrical box, as shown in the following diagram.

**Ex. MMY-MAP1686FT9P-UL**



- (7) Apply the Silicone Thermal Grease to the semiconductors (Q201, Sub Heat Sink) on the service PC board, and align the positions of the heat sink holes to mount the Compressor IPDU on the outdoor control unit. And fix the Compressor IPDU to the outdoor control unit by the spacers (⑤).

Uniformly apply the Silicone Thermal Grease to the heat dissipating surfaces of the IPM (Q201) and Sub Heat Sink.  
 Note: Do this work carefully since allowing any dirt, scratches, etc. to be left on the PC board mounting areas of the semiconductors will impair the heat dissipation effect and may result in a failure.

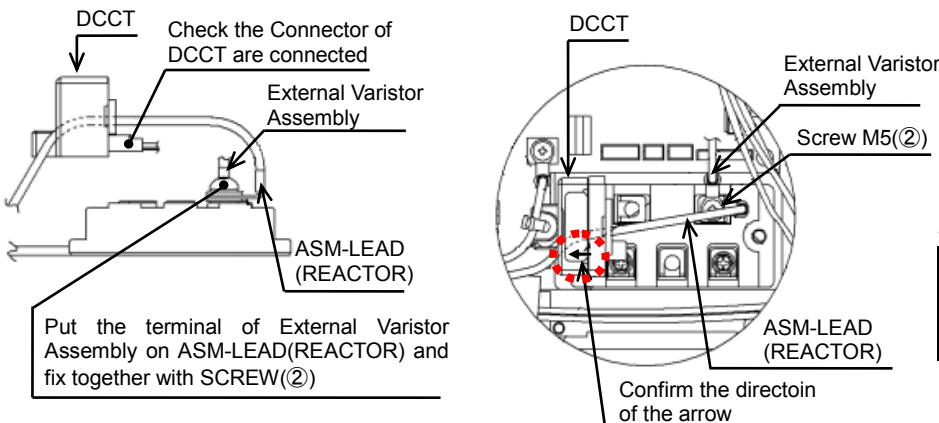
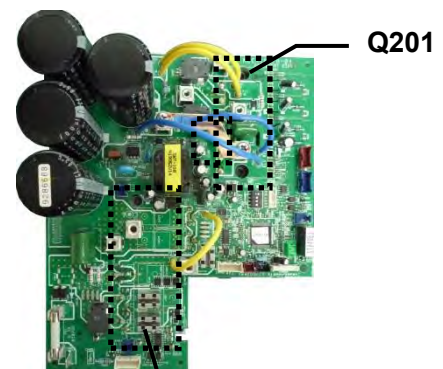
Silicone Thermal Grease use one of the following

- Momentive Performance Materials "TIG1000"
- Dow Corning Toray "SC102"
- Mizutani Electric Ind "HSC1000"
- Shin-Etsu Chemical "G-746" or "G-747"

- (8) Screw the Compressor IPDU to the heat sink by the four screws that were removed in step (4).  
 If the screws are loose, the effect component will generate heat, and cause it to breakdown. Do not use an electric driver or an air driver. As it can cause component damage. The torque of the screws are referred to table below.

- (9) Re-connect the connectors and screw terminals (③).  
 Be sure that all the connectors and the screw terminals are connected correctly and securely inserted.

- (10) Install the service External Varistor Assembly in the outdoor unit controller. And securely connect it to the parts using the screws (①&②).  
 When you connect it, connect ASM-LEAD(REACTOR) through DCCT following the lower drawings.  
 And if either of the screws is loose, it will pose a risk of device failure by degrading noise control, so take care while engaging in the work.  
 Nevertheless, do not use an electric or an air screwdriver under any circumstances as it may lead to component damage.



Screw tightening torque (ft·lbs)

Screw diameter	Torque(ft·lbs)
M5 (for ②)	1.33(1.8N·m)
M4 (for Q201 and ①)	0.89(1.2N·m)
M3 (for Sub Heat Sink)	0.37(0.5N·m)

- (11) If the components on the PCB were bent during this procedure, straighten them so they do not touch other parts.

- (12) Install the cover, then turn on the supply. Check the operation.

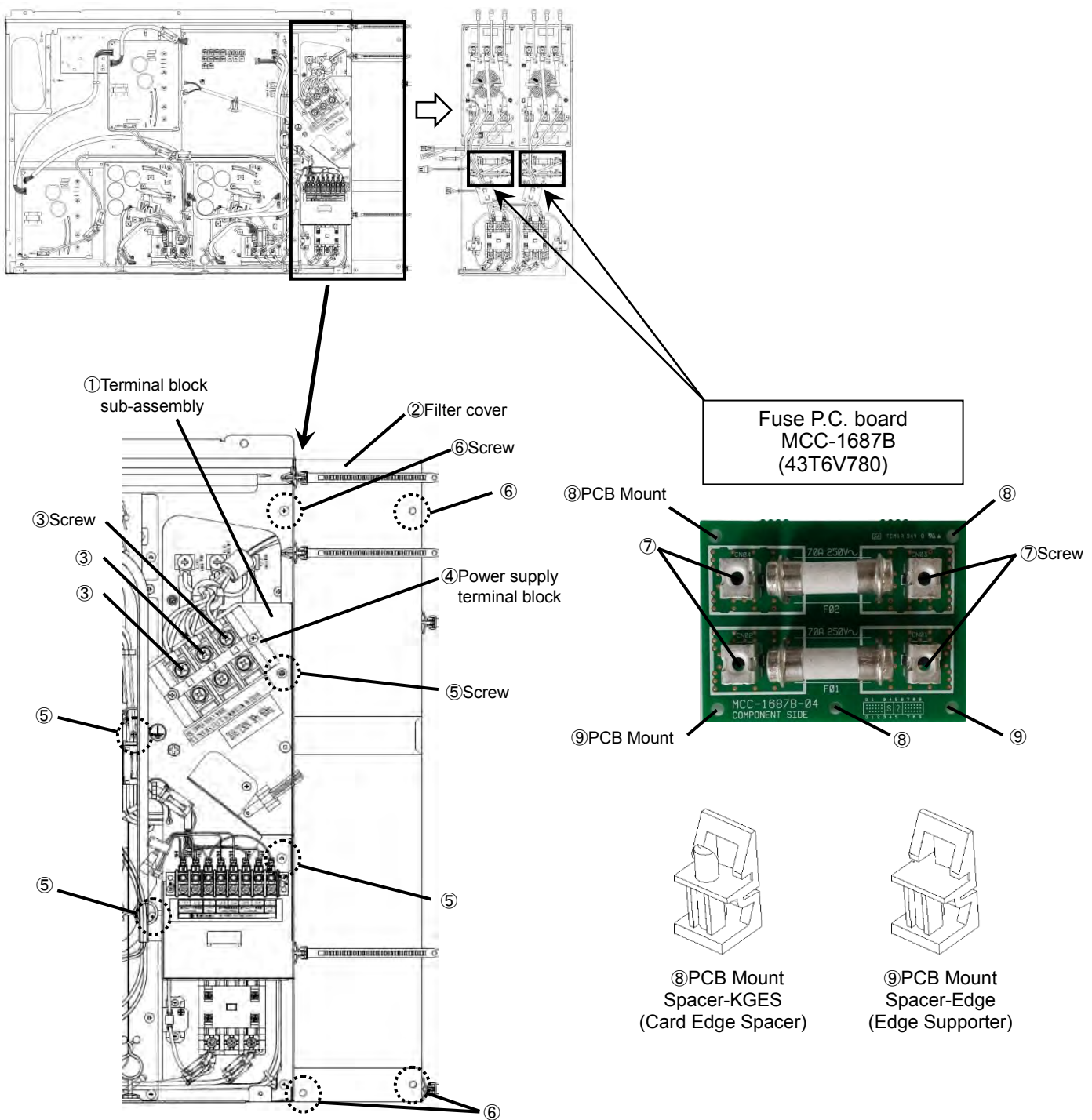


## 14-1-5 (2) Fuse P.C. Board (MCC-1687B) Replacement Procedure <12 to 14 ton outdoor unit case>

### Replacement steps:

- (1) Turn off the power supply of the outdoor unit and allow at least 5 minutes for the capacitor to discharge.
- (2) Remove the terminal block sub-assembly (①) and filter cover (②).  
Remove the screws (③) on the power supply terminal block (④) and the screws (⑤) securing the terminal block sub-assembly.  
Remove the screws (⑥) on the inverter assembly securing the filter cover (②).
- (3) The screws will be re-used during the installation of the service P.C. board, so keep them in a safe place.

Ex. MMY-MAP1686FT9P-UL



- (4) Remove the screws (⑦) on the Fuse P.C.boards.  
 And remove the Fuse P.C. boards from the four PCB mounts (⑧&⑨).  
 The removed screws (⑦) will be re-used during the installation of the service P.C. boards,  
 so keep them in a safe place.
- (5) Install the service P.C. boards in the outdoor unit controller.  
 (Make sure that they are firmly secured to the PCB mounts (⑧&⑨)).
- (6) Re-connect the connectors and screw terminals (⑦).  
 Be sure that all the connectors and the screw terminals are connected correctly and securely inserted.
- (7) If any component on the P.C. board were bent during replacement, straighten it without touching any  
 other component.
- (8) Mount the filter cover (②) and firmly secure it using the screws (⑥).  
 Mount the terminal block sub-assembly (①) and firmly secure it using the screws (⑤).
- (9) Securely connect the red, white and black leads from the service P.C.board(MCC-1680) to the power supply  
 terminal block (④) using the screws (③).
- (10) Put the cover on, turn on the power, and check operation.

Screw tightening torque (ft·lbs)

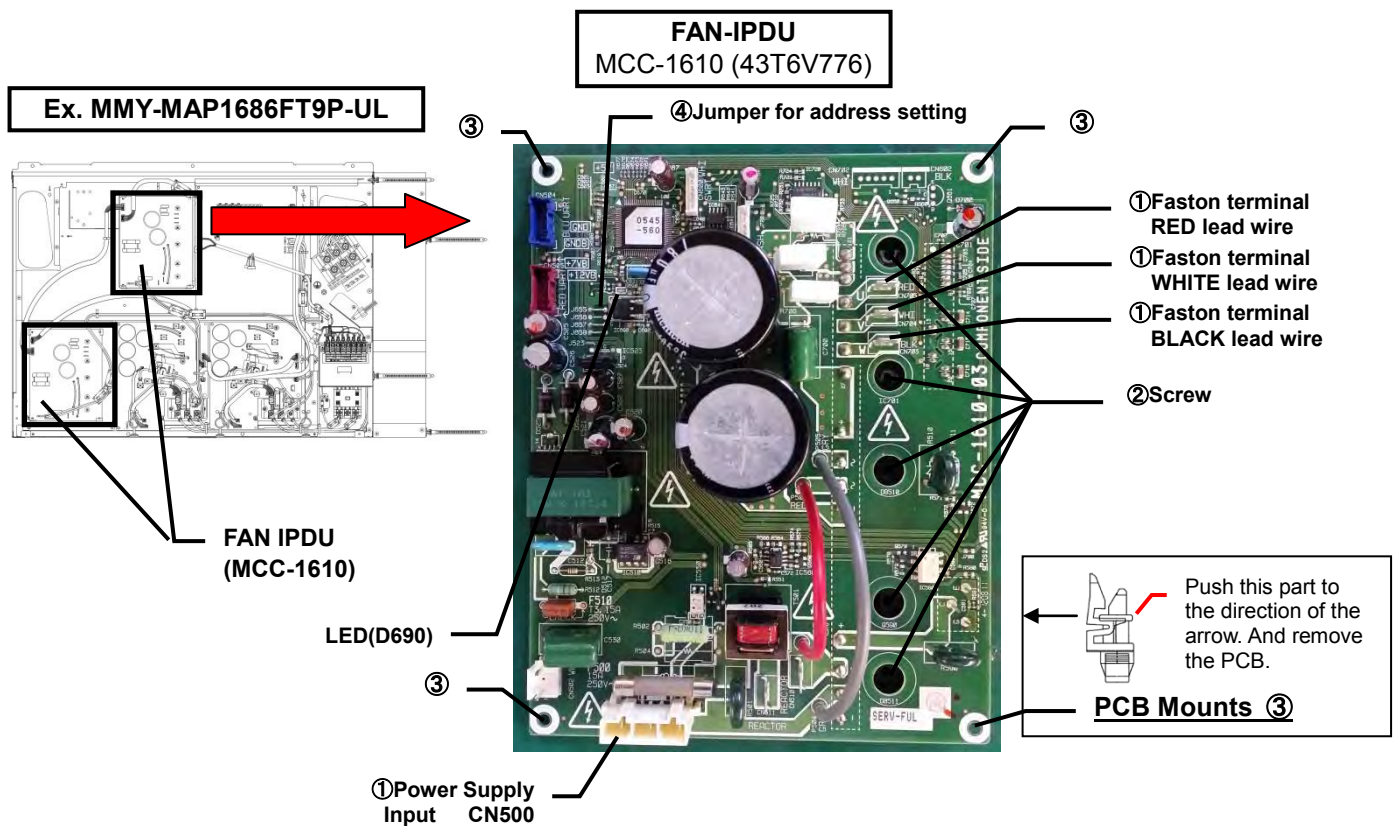
Screw diameter	Torque
M5	1.33(1.8N·m)
M4	0.89(1.2N·m)

## 14-1-6. Fan-IPDU P.C. Board (MCC-1610) Replacement Procedure

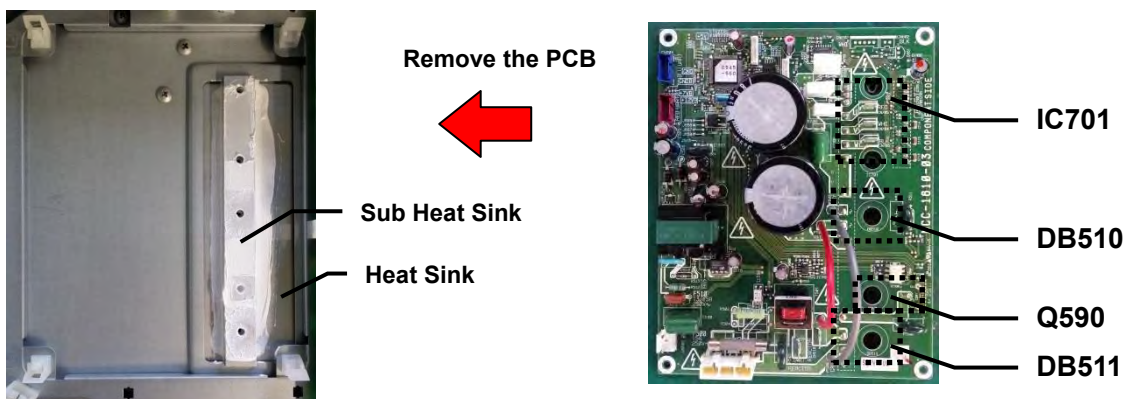
This board is commonly installed in different models before shipment. Set the DIP switch (SW800) setting of the service board to the switch setting before replacement.

### Replacement steps:

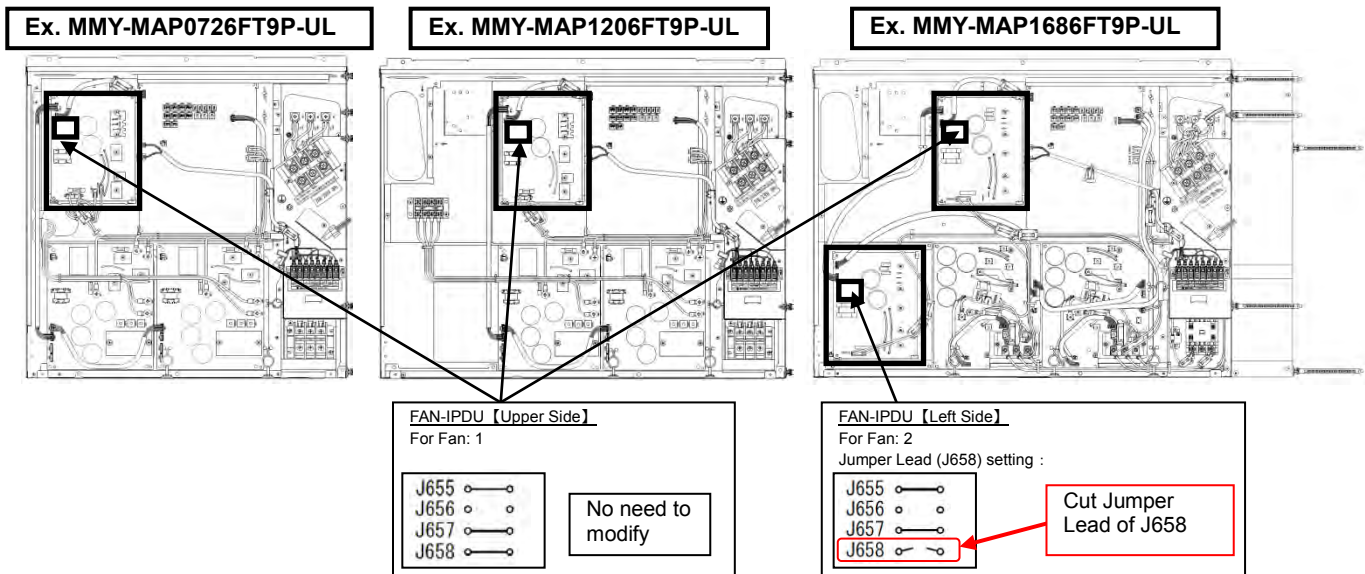
- (1) Turn off the power supply of the outdoor unit and allow at least 5 minutes for the capacitor to discharge. Check the light of LED(D690) turned off.
- (2) Remove all the connectors and the Faston and screw terminals(①) connected to the FAN IPDU. (Remove the connectors and Faston terminals by pulling the connector body. Do not pull the wire).
- (3) Remove all five screws(②) which secures the FAN IPDU to the Heat sink. (These screws are to be re-used after procedure.)
- (4) Remove the Fan IPDU from the four PCB Mounts (③).



- (5) Confirm that no dirt or damage is on the sub heat sink. As it can reduce the heat transfer efficiency, and cause a breakdown.



- (6) Set the Jumper Lead (④) setting of the service board to match the Jumper Lead setting from the original PCB.  
 -Set the Jumper Lead (④) depending on the position of the IPDU within the electrical box, as shown in the following diagram.



- (7) Apply the Silicone Thermal Grease to the semiconductors (IC701, DB510, DB511, Q590) on the service PC board, and align the PCB mount holes on the PCB with the PCB mounts, and fix the FAN IPDU to the outdoor control unit by clipping the PCB into the PCB mounts (③).

Uniformly apply the Silicone Thermal Grease to the heat dissipating surfaces of the IPM (IC701), DB510, DB511, Q590.  
 Note: Do this work carefully since allowing any dirt, scratches, etc. to be left on the PC board mounting areas of the semiconductors will impair the heat dissipation effect and may result in a failure.

Silicone Thermal Grease use one of the following

- Momentive Performance Materials "TIG1000"
- Dow Corning Toray "SC102"
- Mizutani Electric Ind "HSC1000"
- Shin-Etsu Chemical "G-746" or "G-747"

- (8) Screw the FAN IPDU to the heat sink by five screws that were removed in step (3). If the screws are loose, the effected component will generate heat, and cause in to breakdown. Do not use an electric driver or an air driver, as it can cause component damage. The torque of 5 screws (IC302, DB510, DB511, Q590) is "0.37 ft·lbs(0.5N·m)".
- (9) Re-connect the connectors and Faston and screw terminals(①). Be sure that all the connectors and the Faston terminals are connected correctly and securely inserted.
- (10) If the components on the PCB were bent during this procedure, straighten them so they do not to touch other parts.
- (11) Install the cover, then turn on the supply. Check the operation.

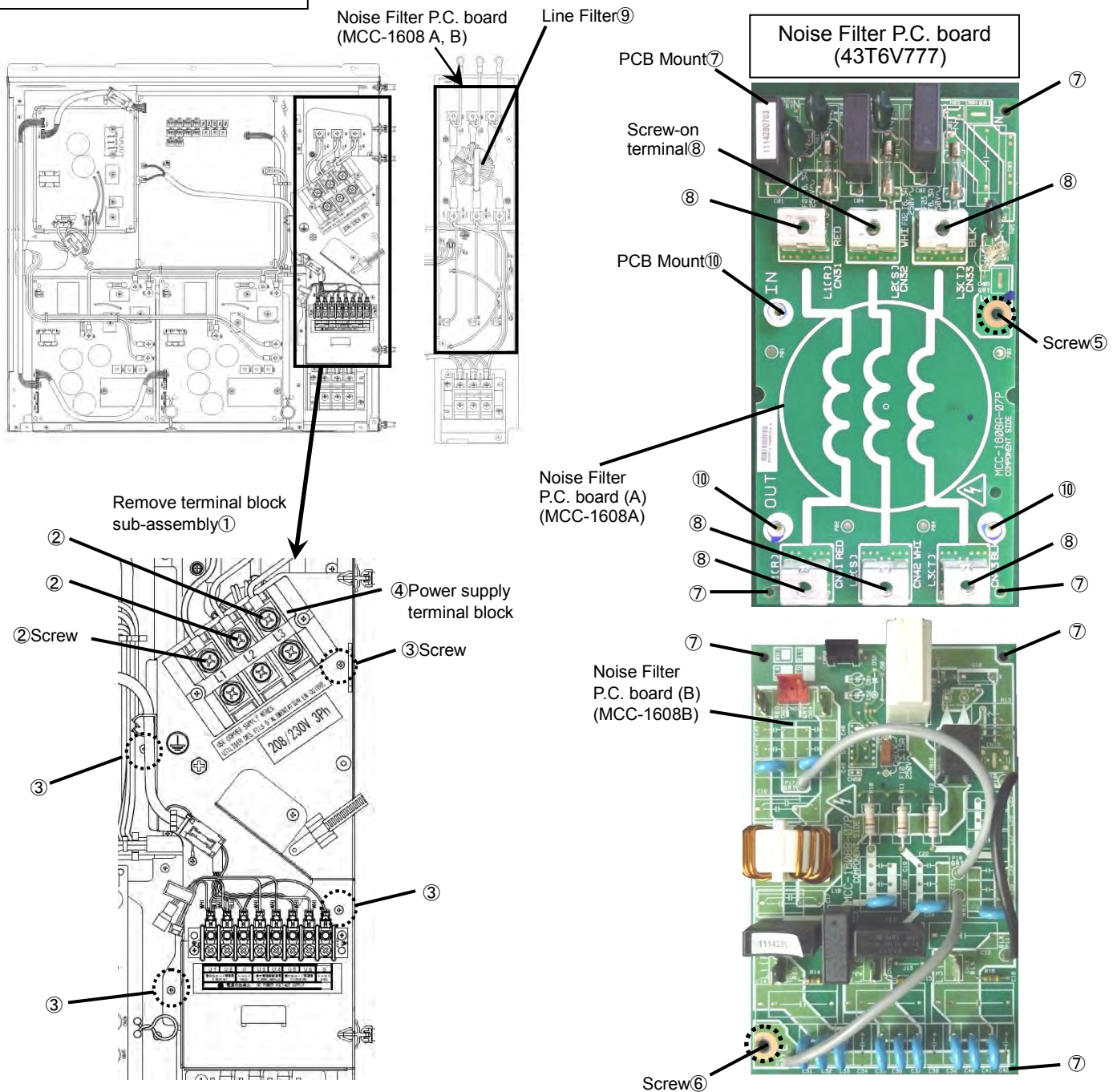


## 14-1-7.Noise Filter P.C. Board (MCC-1608A, B) Replacement Procedure <6 to 10 ton outdoor unit case>

### Replacement steps:

- (1) Turn off the power supply of the outdoor unit and allow at least 5 minutes for the capacitor to discharge.
- (2) Remove the terminal block sub-assembly ①.  
Remove the screws ② on the power supply terminal block ④ and the screws ③ securing the terminal block subassembly ①.
- (3) The screws will be reused during the installation of the service P.C. board, so keep them in a safe place.

Ex. MMY-MAP0726FT9P-UL



- (3) Disconnect all the connectors and Faston terminals used to connect wiring to the noise filter P.C. board.
  - The line filter ⑨ and its leads, both connected to the screw-on terminals ⑧ of the noise filter P.C. board (A) will be removed in step 6.
  - Disconnect all the connectors and Faston terminals.

- (4) Remove the earth screws ⑤, ⑥ and the three PCB mount ⑩.
  - The removed earth screws ⑤, ⑥ and the PCB mount ⑩ will be reused during the installation of the service P.C. board, so keep them in a safe place.
- (5) Remove the noise filter P.C. board assembly by unlocking the four PCB mounts used to secure the P.C. board ⑦.
- (6) Remove the line filter ⑨ and its leads, both connected to the screw-on terminals ⑧ of the just-removed noise filter P.C. board (A), and reinstall them on the service P.C. board (A) by firmly connecting them to the screw-on terminals ⑧ in the same manner as before.
- (7) Intall the service P.C. boards (A) and (B) in the outdoor unit controller. (Make sure that they are firmly secured to the PCB mounts ⑦ and ⑩.)

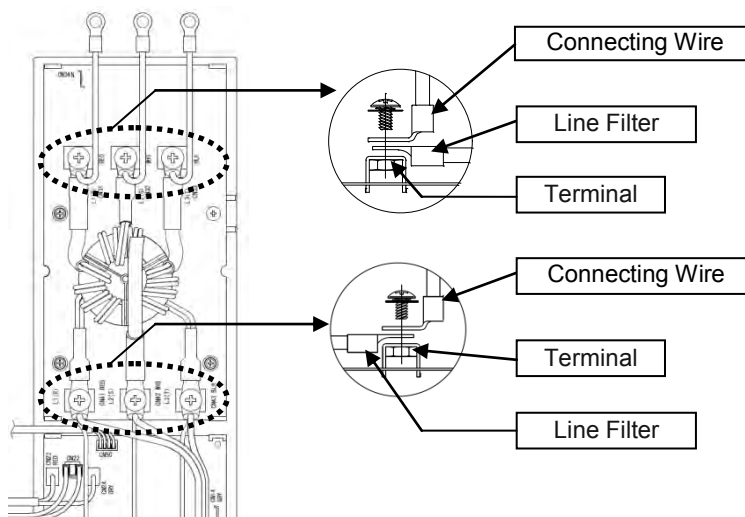
**Line Filter installation:**

Screw the line filter and the connecting wires together to the terminals as right figure. The torque of 6 screws of the line filter is "1.84ft·lbs(2.5N·m)".

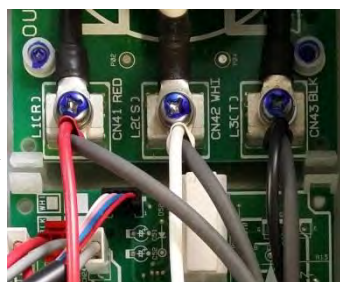
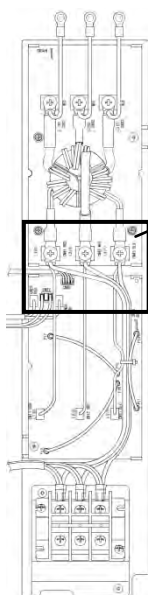
Please check that the screws connecting the line filter are not loose. If the screw is loose, the screw will generate heats, and cause the line filter to breakdown.

Do not use an electric driver or an air driver, as this can cause damage to the line filter.

Connect the wires according to the wiring diagram.



- (8) Securely connect the service P.C. boards to the chassis using the earth screws ⑤, ⑥ removed in step (4). If either of the screws is loose, it will pose a risk of device failure by degrading noise control, so take care while engaging in the work. Nevertheless, do not use an electric or an air screwdriver under any circumstances as it may lead to component damage.
- (9) Connect the wiring using the connectors and Fastons removed in step (3). Make sure that the connectors and Fastons are connected correctly and securely.
- (10) If any component on the P.C. board were bent during replacement, straighten it without touching any other component.
- (11) Mount the terminal block sub-assembly ① and firmly secure it using the screws ③.
- (12) Securely connect the red, white and black leads from the service P.C. board (A) to the power supply terminal block ④ using the screws ②.
- (13) Put the cover on, turn on the power, and check operation.



Close-up view of screw-on terminals ⑧

Screw tightening torque (ft·lbs)

Screw diameter	Torque
M6	1.84(2.5N·m)
M4	0.89(1.2N·m)
M3	0.37(0.5N·m)



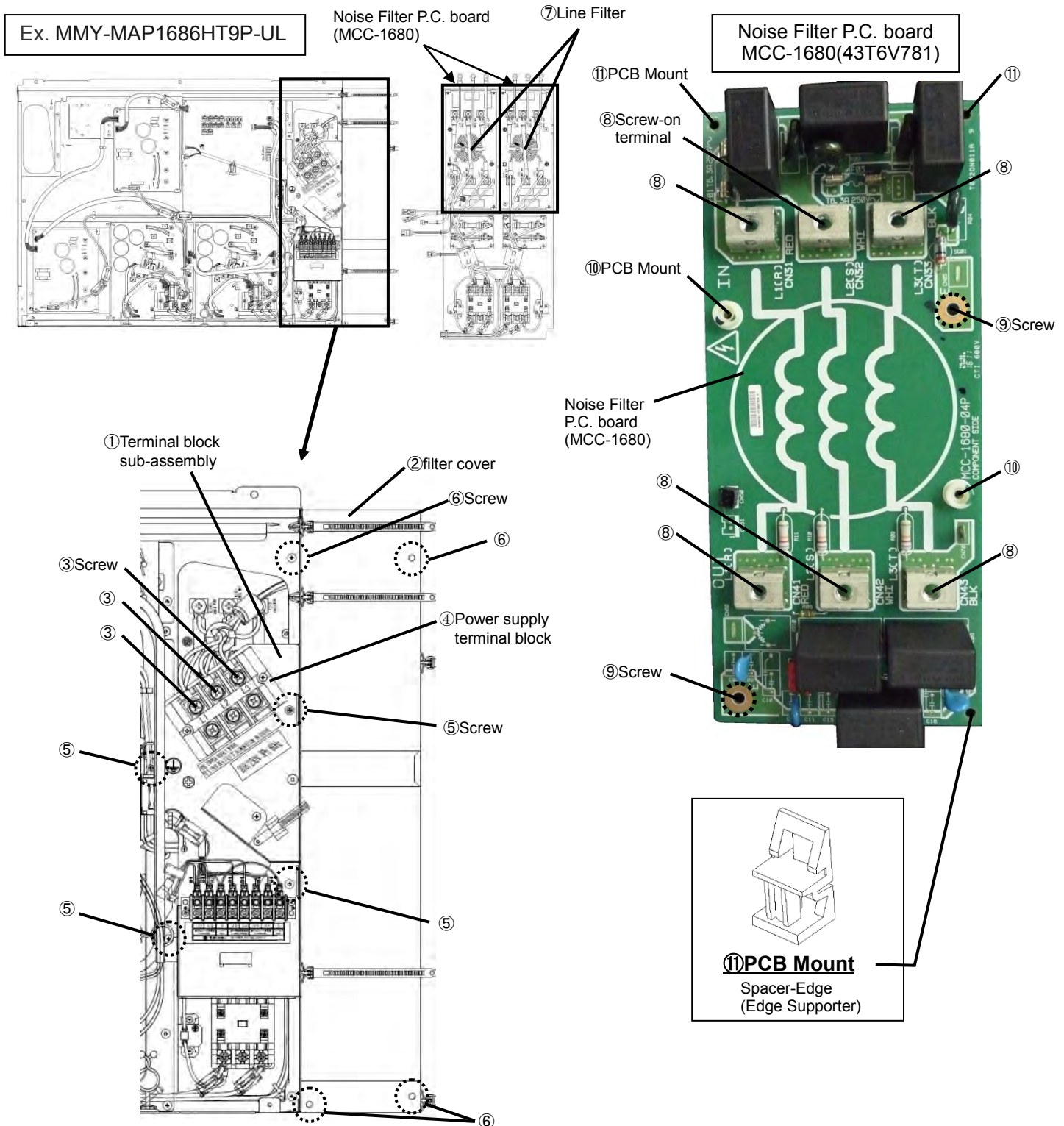
Close-up view of terminal block sub-assembly



# 14-1-8.Noise Filter P.C. Board (MCC-1680) Replacement Procedure <12 to 14 ton outdoor unit case>

## Replacement steps:

- (1) Turn off the power supply of the outdoor unit and allow at least 5 minutes for the capacitor to discharge.
- (2) Remove the terminal block sub-assembly (①) and filter cover (②).  
Remove the screws (③) on the power supply terminal block (④) and the screws (⑤) securing the terminal block sub-assembly (①).  
Remove the screws (⑥) on the inverter assembly securing the filter cover (②).
- (3) The screws will be re-used during the installation of the service P.C. board, so keep them in a safe place.





- (4) Disconnect all the connectors and Faston terminals used to connect wiring to the noise filter P.C. board.
  - The line filter (⑦) and its leads, both connected to the screw-on terminals (⑧) of the noise filter P.C. board will be removed in step (7).
  - Disconnect all the connectors and Faston terminals.
- (5) Remove the earth screws (⑨), and the PCB mounts (⑩).
  - The removed earth screws (⑨), and the PCB mounts (⑩) will be reused during the installation of the service P.C. board, so keep them in a safe place.
- (6) Remove the noise filter P.C. board from the three unlocked PCB mounts (⑪) used to secure the P.C. board.
- (7) Remove the line filter (⑦) and its leads, both connected to the screw-on terminals (⑧) of the just-removed noise filter P.C. board, and re-install them on the service P.C. board by firmly connecting them to the screw-on terminals (⑧) in the same manner as before.
- (8) Install the service P.C. boards in the outdoor unit controller.
 

(Make sure that they are firmly secured to the PCB mounts (⑩&⑪).)

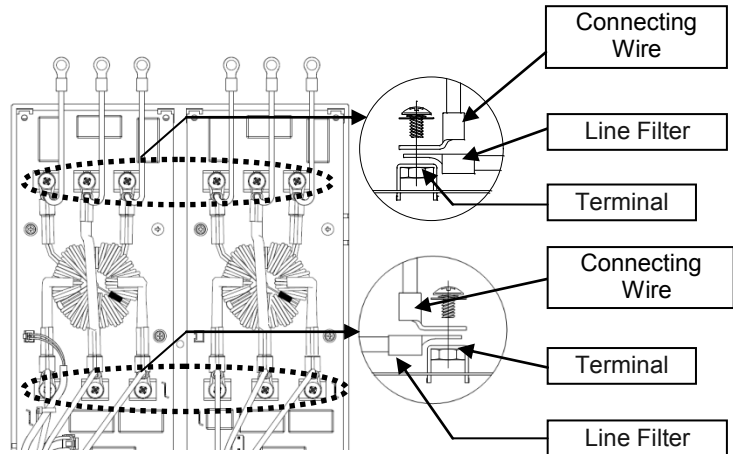
**Line Filter installation:**

Screw the line filter and the connecting wires together to the terminals as right figure. The torque of 6 screws of the line filter is "1.84ft·lbs(2.5N·m)".

Please check that the screws connecting the line filter are not loose. If the screw is loose, the screw will generate heat, and cause the line filter to breakdown.

Do not use an electric driver or an air driver, as this can cause damage to the line filter.

Connect the wires according to the wiring diagram.

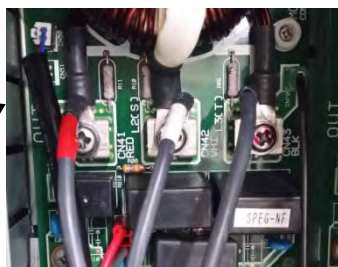
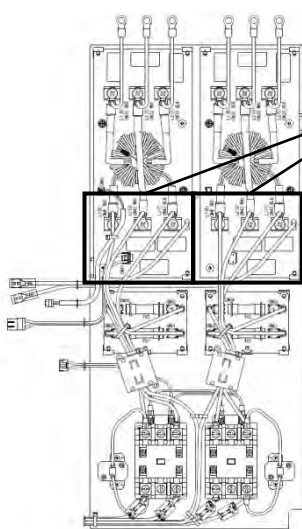


- (9) Securely connect the service P.C. boards to the chassis using the earth screws (⑨) removed in step (5).
 

If either of the screws is loose, it will pose a risk of device failure by degrading noise control, so take care while engaging in the work. Nevertheless, do not use an electric or an air screwdriver under any circumstances as it may lead to component damage.
- (10) Connect the wiring using the connectors and Fastons removed in step (4).
 

Make sure that the connectors and Fastons are connected correctly and securely.
- (11) If any component on the P.C. board were bent during replacement, straighten it without touching any other component.
- (12) Mount the filter cover (②) and firmly secure it using the screws (⑥).
 

Mount the terminal block sub-assembly (①) and firmly secure it using the screws (⑤).
- (13) Securely connect the red, white and black leads from the service P.C. board to the power supply terminal block (④) using the screws (③).
- (14) Put the cover on, turn on the power, and check operation.



Close-up view of screw-on terminals ⑧

Screw tightening torque (ft·lbs)

Screw diameter	Torque
M6	1.84(2.5N·m)
M4	0.89(1.2N·m)
M3	0.37(0.5N·m)



Close-up view of terminal block sub-assembly

# 15 MULTI PORT FS UNIT PARTS REPLACEMENT

## WARNING

•Wear a pair of gloves.

Otherwise, you will risk an injury involving a replacement part or some other object.

•Stop the power supply of the air conditioner and turn off switch of the power supply breaker.

## 1. Electric parts cover

### 1 Detachment

- 1) Remove the screws of under side. ( $\phi 4 \times 0.3''$  (8mm), 2 pcs)
- 2) Loosen fixing screws of upper side. ( $\phi 4 \times 0.3''$  (8mm), 2 pcs)
- 3) Pull the cover downward and then remove the cover.

### 2 Attachment

- 1) Hook the electrical component cover on the screw on the upper side. (2 places)
- 2) Slide up the electrical component cover and fit it in.
- 3) Fit the screws of under side. ( $\phi 4 \times 0.3''$  (8mm), 2 pcs)
- 4) Tighten the screws of upper side. ( $\phi 4 \times 0.3''$  (8mm), 2 pcs)

Hook to the screw



Cover



Screws



## 2. P.C.board

### 1 Detachment

- 1) Perform work of procedure 1-1 Detachment. (Electric parts cover)
- 2) Remove connectors which are connected from the control P.C.board to the other parts.

CN67 :	Power supply wires	Black
CN309 :	Power supply wires	Yellow
CN710 :	SVS, SVSS, SSVD, SVD	White
CN720 :	PMV	White
CN101 :	TCS sensor	White
CN400 :	Communication wire	Terminal block 2P
CN22 :	Earth wire	Faston tab

- 3) Unlock the locks of the card edge spacer (4 positions) and then remove the control P.C.board.

Card edge spacer



### 2 Attachment

- 1) Fix the control P.C.board to the card edge spacers. (4 positions)
- 2) Connect the connectors disconnected in item 1-2) as before.

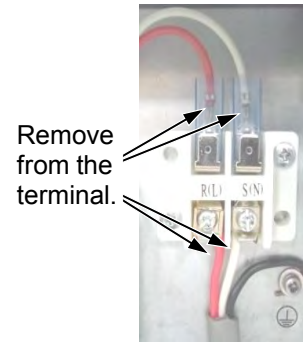
For connectors, check there is no missing or contact failure.

- 3) Attach the Electric parts cover. (Refer to 1. of 2 Attachment)

### 3. TERMINAL-PW (TB03)

#### 1 Detachment

- 1) Perform work of procedure 1. of 1 Detachment . (Electric parts cover)
- 2) Remove the wires from the TERMINAL-PW (TB03).
- 3) Take off screws fixing the TERMINAL-PW (TB03). ( $\phi 4 \times 0.6''$  (14mm), 2 pcs)



#### 2 Attachment

- 1) Fix the terminal assembly as before.
- 2) Fit the fixing screws ( $\phi 4 \times 0.6''$  (14mm), 2 pcs).
- 3) Connect the wires disconnected as before.
- 4) Attach the Electric parts cover. (Refer to 1. of 2 Attachment)

### 4. TERMINAL-2P (TB01, TB02)

#### 1 Detachment

- 1) Perform work of procedure 1. of 1 Detachment . (Electric parts cover)
- 2) Remove the wires from the TERMINAL (TB01 and TB02).
- 3) Take off the screws fixing the TERMINAL (TB01 and TB02). ( $\phi 4 \times 0.6''$  (14mm), 1pc)

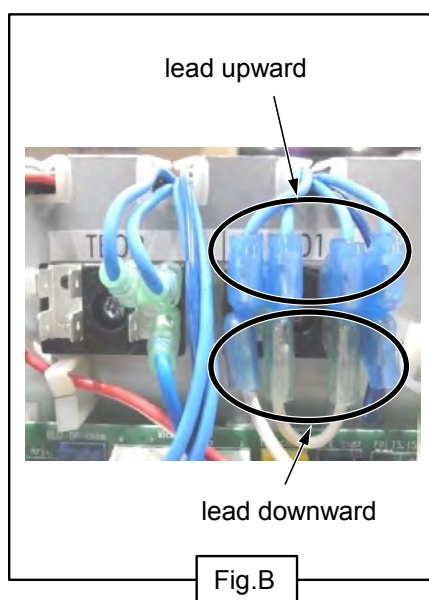
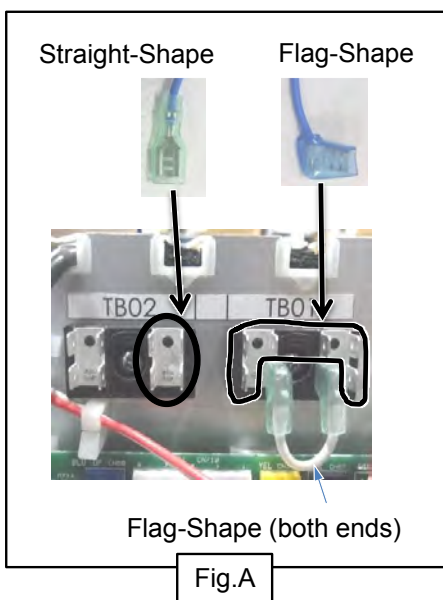


- 1) Fix the terminal assembly as before.

Fit the cylindrical protrusion of the terminal block (TB01 and TB02) into the hole of the sheet metal of the electrical box.

- 2) Fit the screws ( $\phi 4 \times 0.6''$  (14mm), 1 pc)
- 3) Connect the wires disconnected as before.

For the leads of the coil (3 pcs) that has the faston terminal of the straight type on the edge, connect each of them to any of the tab on the right side of the TERMINAL (TB02)(4 places). (Refer to fig.A) For the leads of the coil (6 pcs) that has the faston terminal of the flag type on the edge (one side) and the lead (1 pc) that has the faston terminal of the flag type on the both ends, connect them to the TERMINAL (TB01). (Refer to fig.A) For the connection direction to the TERMINAL (TB01) for the lead that has the faston terminal of the flag type , refer to the figure B.



- 4) Attach the Electric parts cover. (Refer to 1.-2)

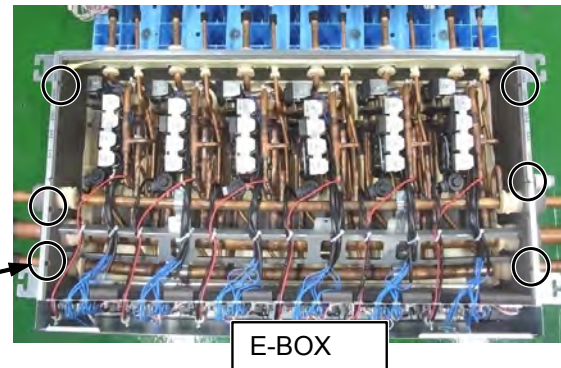


## 5. Top plate

### 1 Detachment

- 1) Take off the fixing screws ( $\phi 4 \times 0.3"$  (8mm), 6 pcs)
- 2) Remove the top plate.

Position of the screw holes  
(Top plate)



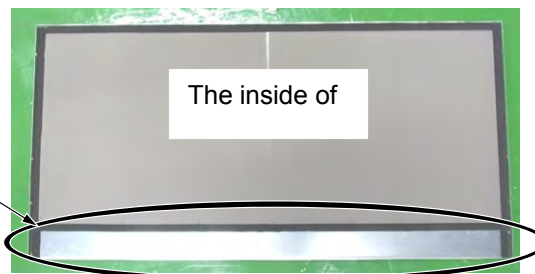
### 2 Attachment

- 1) Fix the Top plate as before.

Fit the non-thermal insulation material side to the E-Box side.

- 2) Fit the screws. ( $\phi 4 \times 0.3"$  (8mm), 6 pcs.)

Non-heat  
insulation



## 6. Coil of 2WAY-VALVE (SVS, SVSS, SVDD, SVD)

### 1 Detachment

- 1) Perform work of procedure 1. -1) (Electric parts cover) and 5. -1) (top plate).
- 2) Cut the binding band (1 pc) for bundling the wires of the coil (SVS, SVSS, SVDD, SVD).

Binding band

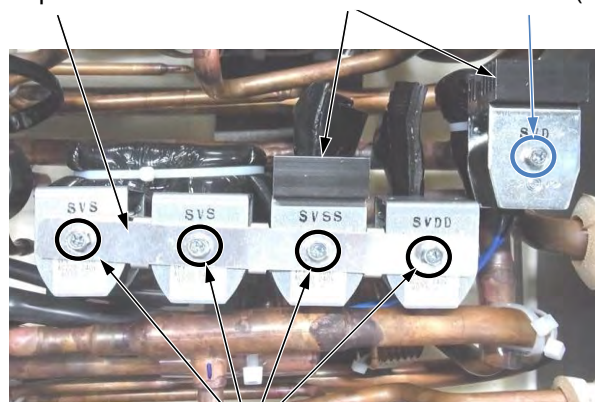


- 3) Take off the fixing screws, remove the Coil connection plate and then remove the coil.

Fixing screw size  
SVS, SVSS, SVDD :  $M4 \times 0.24"$  (6mm) (4 pcs)  
SVD :  $M4 \times 0.3"$  (8mm) (1 pc)

- 4) Remove the wires from the terminal (TB01, TB02) and the P.C.board (CN710).

Coil connection plate    Heat sink (SVSS, SVD)    Screw ( $M4 \times 0.3"$  (8mm) , 1pc)



Screws ( $M4 \times 0.24"$  (6mm) , 4pcs)

## Heat sink

### 1 Detachment

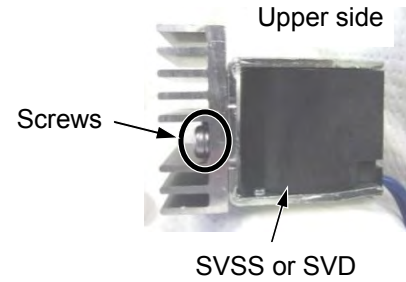
- 1) Take off the fixing screws. (M4 x 0.3" (8mm), 2 pcs)
- 2) Remove the heat sink from the coil. (SVSS or SVD)

### 2 Attachment

- 1) Fix the heat sink as before.

Fix the heatsink to the direction indicated in the figure.

- 2) Fit the screws of the heatsink (M4 x 0.3" (8mm), 2 pcs) at a torque of 1.08 ft·lbs (1.47 ± 0.1 N·m).



## 2 Attachment

- 1) Fix the coil and the Coil connection plate as before and fit the screws.

Attach the coil to the position indicated in the coil attachment nameplate. Be careful about the attachment directions of the coil and Coil connection plate.

Fixing screw size

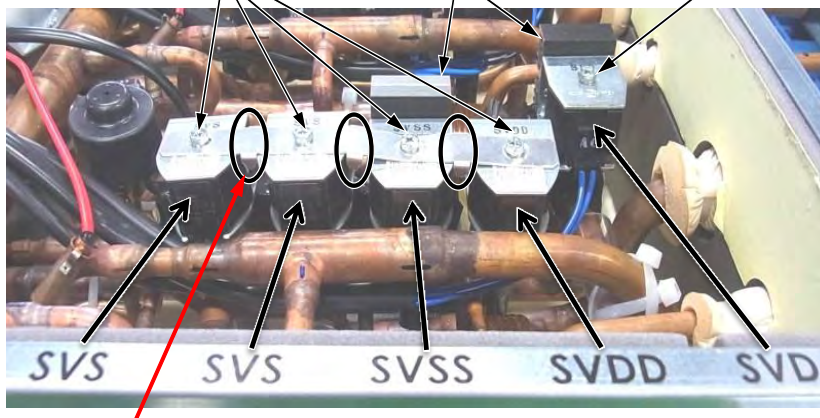
SVS, SVSS, SVDD : M4 x 0.24" (6mm) (4 pcs)

SVD : M4 x 0.3" (8mm) (1 pc)

Be careful of using the different screw.

Control tightening torque of the coil with 1.47 ± 0.7 ft·lbs (2.0 ± 0.1 N·m).

Screws (M4 x 0.24" (6mm), 4 pcs)      Heat sink      Screw (M4 x 0.3" (8mm), 1 pc)



For the coil connecting plate, attach the flange downward.

- 3) Connect the wires disconnected as before.
- 4) Bind the the wires of the coil (SVS, SVSS, SVDD, SVD) to the reinforcement plate by binding band (field supply) (1 pc).

Wire the lead through the lower side than the coil so that the edge of the coil do not damage the lead

Binding band  
(field supply)



Wiring position

- 5) Attach the Electric parts cover and the Top plate. (Refer to 1. -2) and 5. -2))

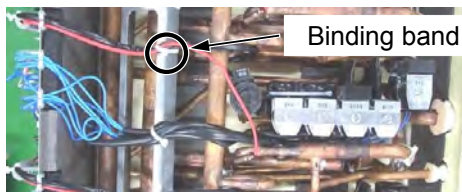
## 7. Coil-PMV, TCS-sensor

### 1 Detachment

- 1) Perform work of procedure 1. -1) (Electric parts cover) and 5. -1) (Top plate).
- 2) Cut the binding band (1 pc) which fix the Clamp filter to the wires of the Coil-PMV and the TCS-Sensor.
- 3) Remove the Clamp filter from the wires of the Coil-PMV and TCS-Sensor.
- 4) Remove the wires of Coil-PMV from the Wire-clamp.
- 5) Remove each wire which is connected from the control P.C.board to other parts.

CN720	PMV	White
CN101	TCS Sensor	White

- 6) Cut the binding band (1 pc) of gathering wires of the Coil-PMV and the TCS-Sensor and the wires remove from reinforcement plate.



- 7) Remove the Coil-PMV or the TCS-Sensor.

### 2 Attachment

- 1) Fix Coil-PMV or TCS-Sensor assembly as before.

The claw of Coil-PMV should be fitted to the pipe. Be careful about deformation of the pipe of connecting PMV. The TCS-sensor should be inserted deeply into the sensor holder.

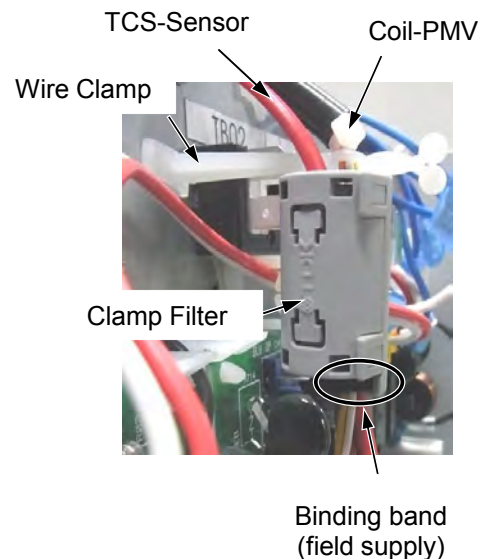
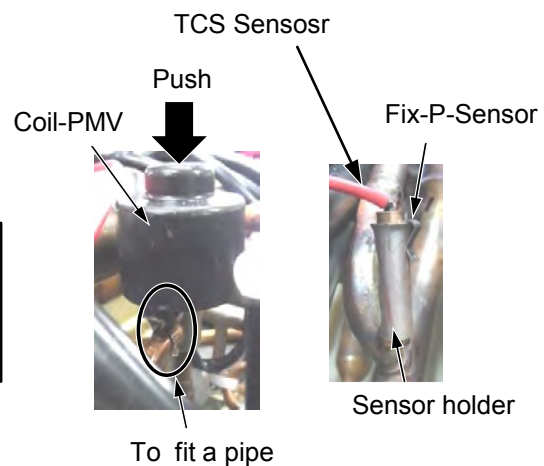
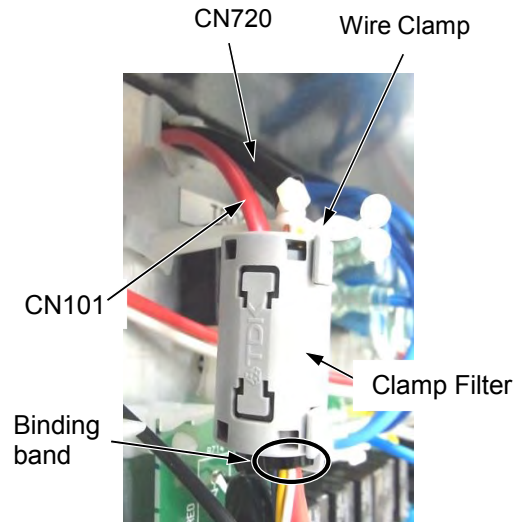
- 2) Connect the wires disconnected as before.

- 3) Fix the wire of the PMV-Coil by the Wire-Clamp as before.
- 4) Fix the Clamp filter by the binding band (field supply) (1 pc) to the wires of the Coil-PMV and the TCS-Sensor.
- 5) Fix the wires of Coil-PMV and TCS-Sensor by the binding band (field supply) (1 pc) to the reinforcement plate.



Binding band (field supply)

- 6) Attach the Electric parts cover and the Top plate. (Refer to 1. -2) and 5. -2))

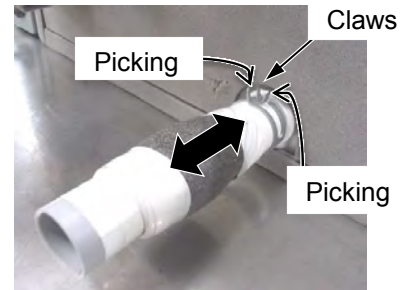




## 8. Drain hose

### 1 Detachment

- 1) Drain the drain water accumulated in the Drain pan.
- 2) Remove the Drain hose while picking the claws of the hose band.



### 2 Attachment

- 1) Pinch the claw of the hose band and make it loosen, then insert the drain hose.

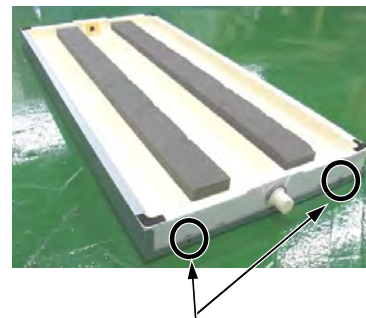
Insert the hose surely to the end of Drain pan that the joints does not have water leak

## 9. Bottom plate, Drain pan

### 1 Detachment

- 1) Perform work of procedure 8. -1). (Drain hose)
- 2) Take off the fixing screws ( $\phi 4 \times 0.3''$  (8mm), 4 pcs)
- 3) Remove the Bottom plate and Drain pan together.
- 4) Remove the Drain pan from the Bottom plate while tilting it.

Be careful, the Drain pan should not be damaged by the edge of Bottom plate.



Position of the screw holes  
(both side of the Bottom plate)

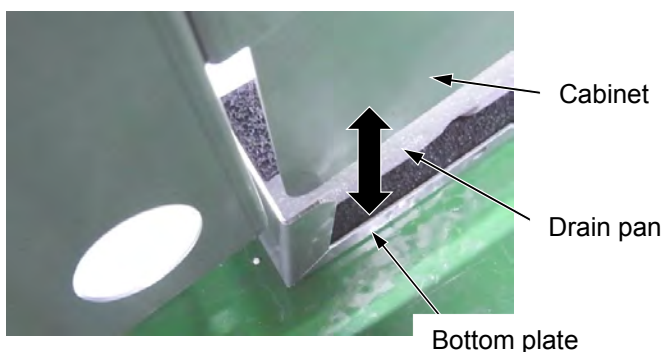
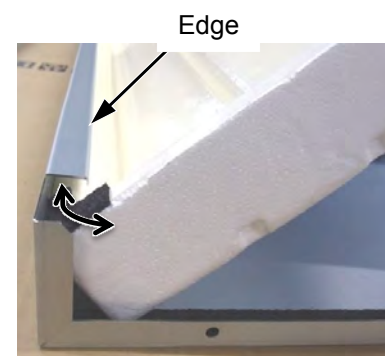
### 2 Attachment

- 1) Fit the Drain pan to the Bottom plate while tilting it as before.

Be careful, the Drain pan should not be damaged by the edge of Bottom plate.

- 2) Fit the Bottom plate and Drain pan together to the cabinet.

The flange of the bottom plate is located outside of sheet metal of the cabinet.



- 3) Fit the fixing screws. ( $\phi 4 \times 0.3''$  (8mm), 4 pcs)
- 4) Attach the Drain hose. (Refer to 8. -2))



# 16 SINGLE PORT FS UNIT (LONG PIPING MODEL) PARTS REPLACEMENT METHOD

## WARNING

- Wear a pair of gloves.
- Otherwise, you will risk an injury involving a replacement part or some other object.
- Stop the power supply of the air conditioner and turn off switch of the power supply breaker.

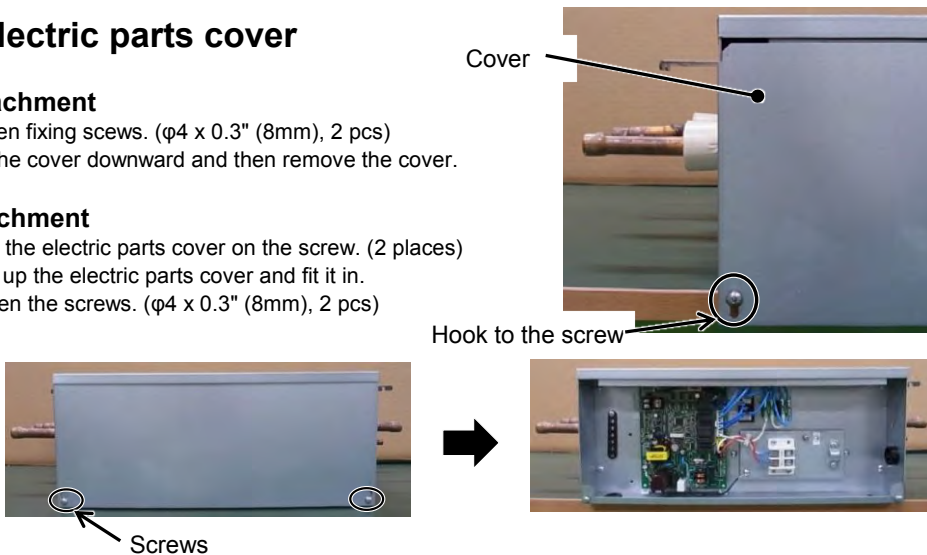
## 1. Electric parts cover

### 1 Detachment

- 1) Loosen fixing screws. ( $\phi 4 \times 0.3$ " (8mm), 2 pcs)
- 2) Pull the cover downward and then remove the cover.

### 2 Attachment

- 1) Hook the electric parts cover on the screw. (2 places)
- 2) Slide up the electric parts cover and fit it in.
- 3) Tighten the screws. ( $\phi 4 \times 0.3$ " (8mm), 2 pcs)



## 2. P.C.board

### 1 Detachment

- 1) Perform work of procedure 1-1 Detachment. (Electric parts cover)
- 2) Remove connectors which are connected from the control P.C.board to the other parts.

CN67 :	Power supply wires	Black
CN710 :	SVS, SVSS, SVDD, SVD	White
CN720 :	PMV	White
CN101 :	TCS sensor	White
CN400 :	Communication wire	Terminal block 2P
CN22 :	Earth wire	Faston tab

- 3) Unlock the locks of the card edge spacer (4 positions) and then remove the control P.C.board.



### 2 Attachment

- 1) Fix the control P.C.board to the card edge spacers. (4 positions)
- 2) Connect the connectors disconnected in item 1-2) as before.

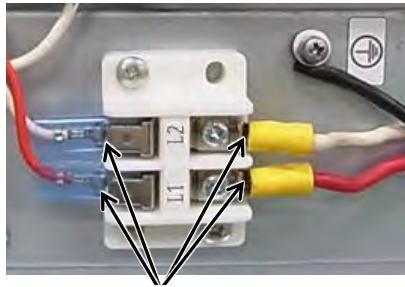
For connectors, check there is no missing or contact failure.

- 3) Attach the Electric parts cover. (Refer to 1. of 2 Attachment)

### 3. TERMINAL-PW (TB03)

#### 1 Detachment

- 1) Perform work of procedure 1. of 1 Detachment . (Electric parts cover)
- 2) Remove the wires from the TERMINAL-PW (TB03).
- 3) Take off screws fixing the TERMINAL-PW (TB03). ( $\phi 4 \times 0.6''$  (14mm), 2 pcs)



Remove from the terminal.

#### 2 Attachment

- 1) Fix the terminal assembly as before.
- 2) Fit the fixing screws ( $\phi 4 \times 0.6''$  (14mm), 2 pcs).
- 3) Connect the wires disconnected as before.
- 4) Attach the Electric parts cover. (Refer to 1. of 2 Attachment)

### 4. TERMINAL-2P (TB01, TB02)

#### 1 Detachment

- 1) Perform work of procedure 1. of 1 Detachment . (Electric parts cover)
- 2) Remove the wires from the TERMINAL (TB01 and TB02).
- 3) Take off the screws fixing the TERMINAL (TB01 and TB02). ( $\phi 4 \times 0.6''$  (14mm), 1pc)



Fit in the hole

#### 2 Attachment

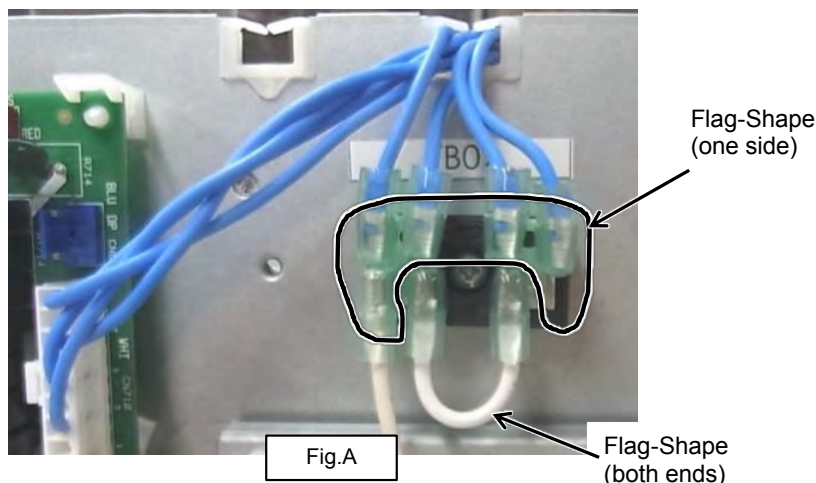
- 1) Fix the terminal assembly as before.

Fit the cylindrical protrusion of the terminal block (TB01 and TB02) into the hole of the sheet metal of the electrical box.

- 2) Fit the screws ( $\phi 4 \times 0.6''$  (14mm), 1 pc)
- 3) Connect the wires disconnected as before.

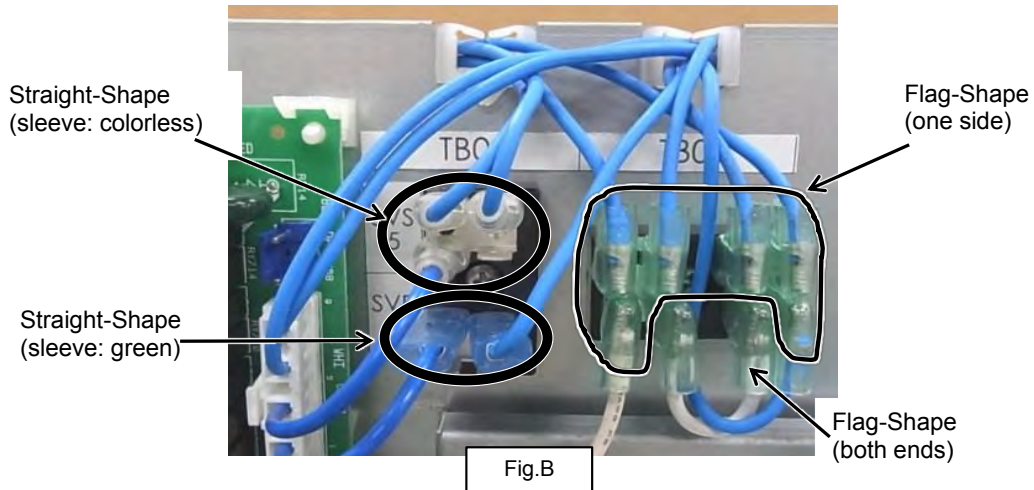
[RBM-Y0384FUL]

(Refer to fig.A) For the leads of the coil (5pcs) that has the faston terminal of the flag type on the edge (one side) and the lead (1pc) that has the faston terminal of the flag type on the both ends, connect them to the TERMINAL (TB01). (Refer to fig.A) For the connection direction to the TERMINAL (TB01) for the lead that has the faston terminal of the flag type , refer to the figure A.



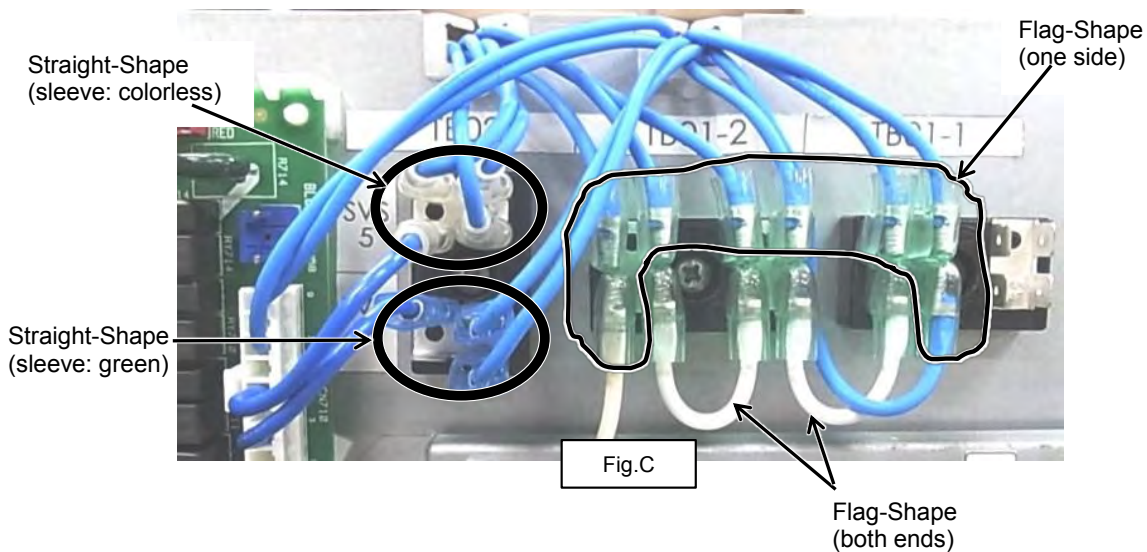
[RBM-Y0614FUL]

For the leads of the coil (3pcs) that has the faston terminal of the straight type on the edge(Sleeve : colorless), connect each of them to any of the tab on the upper side of the TERMINAL (TB02)(4 places).  
For the leads of the coil (2pcs) that has the faston terminal of the straight type on the edge(Sleeve : green), connect each of them to any of the tab on the under side of the TERMINAL (TB02)(4 places).  
(Refer to fig.B) For the leads of the coil (6pcs) that has the faston terminal of the flag type on the edge (one side) and the lead (1pc) that has the faston terminal of the flag type on the both ends, connect them to the TERMINAL (TB01). (Refer to fig.B) For the connection direction to the TERMINAL (TB01) for the lead that has the faston terminal of the flag type , refer to the figure B.



[RBM-Y0964FUL]

For the leads of the coil (4pcs) that has the faston terminal of the straight type on the edge(sleeve : colorless ), connect each of them to any of the tab on the upper side of the TERMINAL (TB02)(4 places).  
For the leads of the coil (3pcs) that has the faston terminal of the straight type on the edge(sleeve : green), connect each of them to any of the tab on the under side of the TERMINAL (TB02)(4 places).  
(Refer to fig.C) For the leads of the coil (6pcs) that has the faston terminal of the flag type on the edge (one side) and the lead (2pcs) that has the faston terminal of the flag type on the both ends, connect them to the TERMINAL (TB01-1 and TB01-2). (Refer to fig.C) For the connection direction to the TERMINAL (TB01-1 and TB01-2) for the lead that has the faston terminal of the flag type , refer to the figure C.

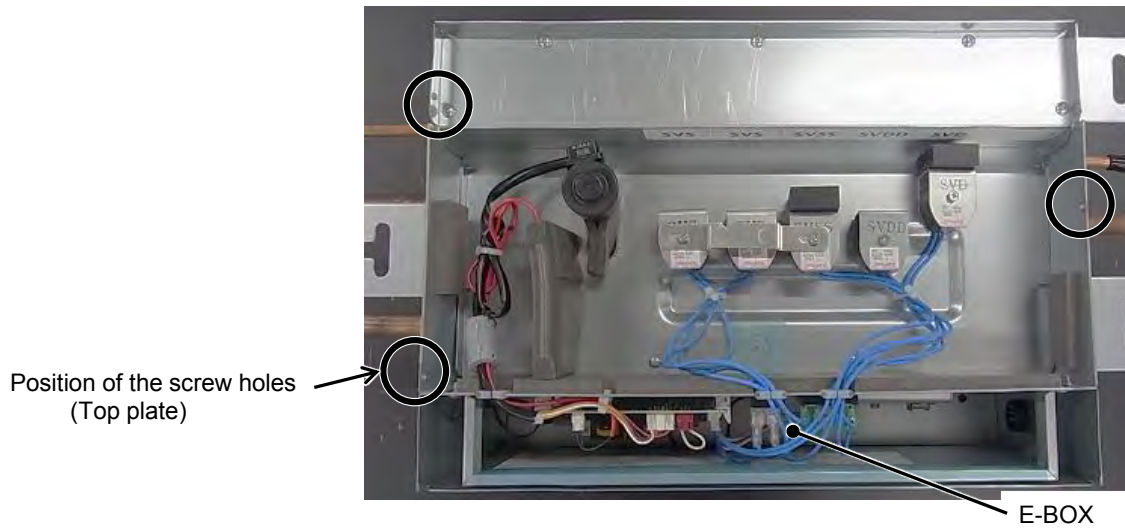


4) Attach the Electric parts cover. (Refer to 1.-2)

## 5. Top plate

### 1 Detachment

- 1) Take off the fixing screws ( $\varnothing 4 \times 0.3''$  (8mm), 3 pcs)
- 2) Remove the top plate.



### 2 Attachment

- 1) Fix the Top plate as before.
- 2) Fit the screws. ( $\varnothing 4 \times 0.3''$  (8mm), 3 pcs.)

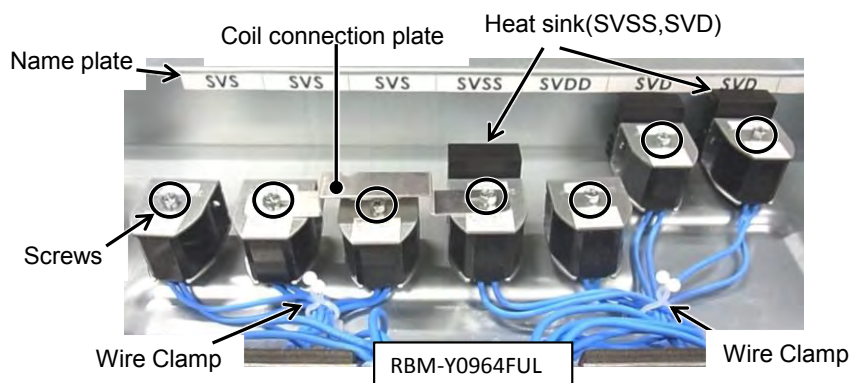
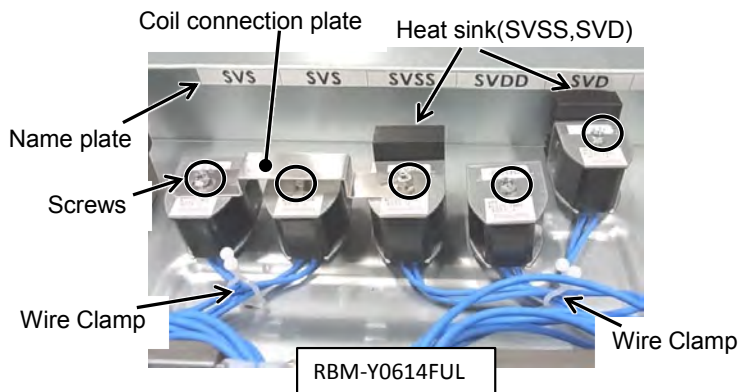
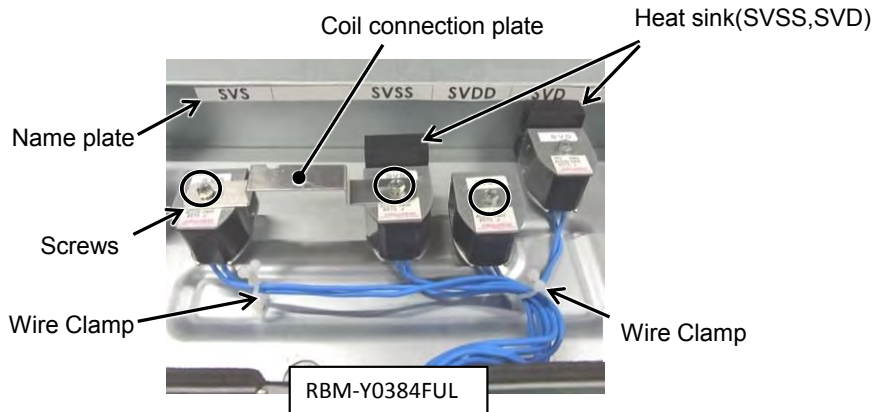


## 6. Coil of 2WAY-VALVE (SVS, SVSS, SVDD, SVD)

### 1 Detachment

- 1) Perform work of procedure 1. -1) (Electric parts cover) and 5. -1) (top plate).
- 2) Remove lead wires of coils(SVS,SVSS, SVDD, SVD) from wire clamp.
- 3) Remove fixing screws with the Coil connection plate and then remove the coil.

Fixing screw size  
SVS ,SVSS ,SVDD,SVD : M4x0.24" (6mm)(1ea.)



- 4) Remove the wires from the terminal (TB01,TB02) and the P.C.board (CN710).

**Heat sink**

**1 Detachment**

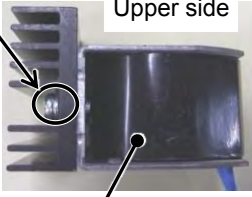
- 1) Take off the fixing screws. (M4 x 0.3" (8mm), 2 pcs)
- 2) Remove the heat sink from the coil. (SVSS or SVD)

**2 Attachment**

- 1) Fix the heat sink as before.

Fix the heatsink to the direction indicated in the figure.

- 2) Fit the screws of the heatsink (M4 x 0.3" (8mm), 2 pcs) at a torque of 1.08 ft·lbs (1.47 ± 0.1 N·m).



**2 Attachment**

1) Fix the coil and the Coil connection plate as before and fit the screws.

Attach the coil to the position indicated in the coil attachment nameplate. Be careful about the attachment directions of the coil .

Fixing screw size  
SVS ,SVSS ,SVDD,SVD : M4x0.24" (6mm)(each 1 pc)

Control tightening torque of the coil with 1.47 ± 0.7 ft·lbs (2.0 ± 0.1 N·m).

- 2) Connect the wires disconnected as before.
- 3) Fix wires of coils (SVS, SVSS, SVDD, SVD) by the wire clamp.

Wire the lead through the lower side than the coil so that the edge of the coil do not damage the lead.

4) Attach the Electric parts cover and the Top plate. (Refer to 1. -2) and 5. -2))

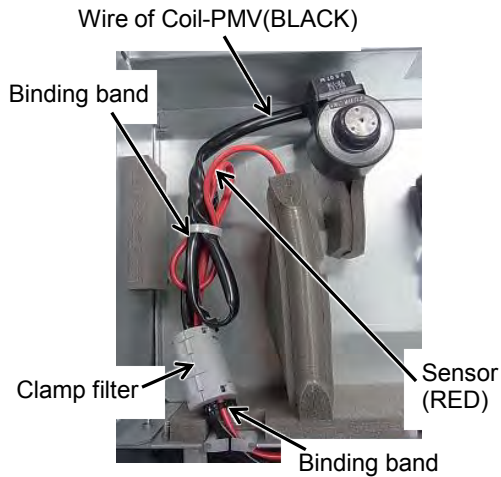
## 7. Coil-PMV

### 1 Detachment

- 1) Perform work of procedure 1. -1) (Electric parts cover) and 5. -1) (Top plate).
- 2) Cut the binding band (1 pc) which fix the Clamp filter to the wires of the Coil-PMV and the TCS-Sensor.
- 3) Remove the Clamp filter from the wires of the Coil-PMV and TCS-Sensor.
- 4) Remove the wires of Coil-PMV from the Wire-clamp.
- 5) Remove each wire which is connected from the control P.C.board to other parts.

CN720 PMV White

- 6) Cut the binding band (1 pc) of gathering wires of the Coil-PMV and the TCS-Sensor
- 7) Remove the Coil-PMV.



### 2 Attachment

- 1) Fix Coil-PMV assembly as before.

The claw of Coil-PMV should be fitted to the pipe.  
Be careful about deformation of PMV pipe.

- 2) Connect the wires disconnected as before.
- 3) Fix the wire of the PMV-Coil by the Wire-Clamp as before.
- 4) Fix the Clamp filter by the binding band (field supply) (1 pc) to the wires of the Coil-PMV and the TCS-Sensor.
- 5) Fix wire of coil-PMV with wire of sensor by a binding band.
- 6) Attach the Electric parts cover and the Top plate. (Refer to 1. -2) and 5. -2))



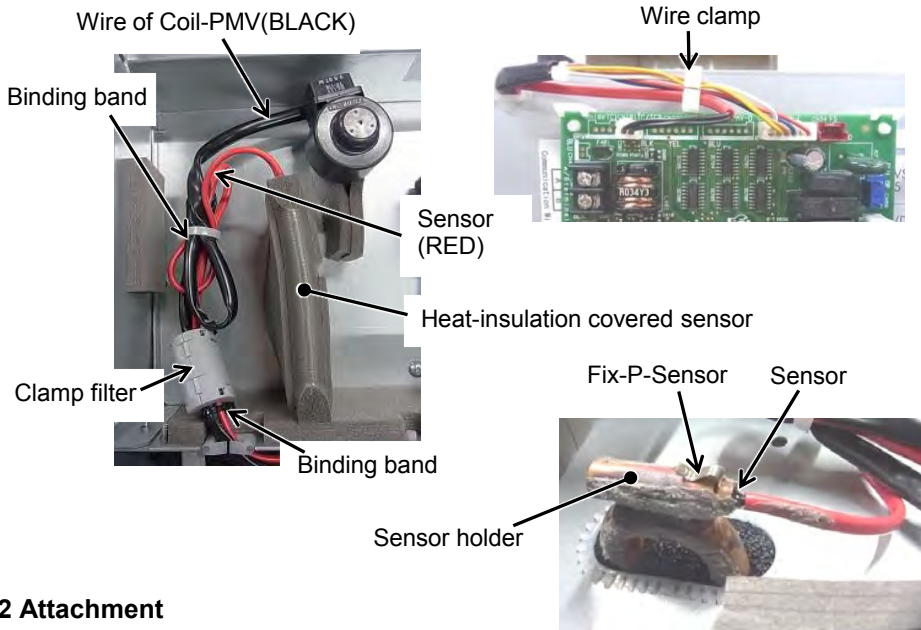
## 8.TCS-sensor

### 1 Detachment

- 1) Perform work of procedure 1. -1) (Electric parts cover) and 5. -1) (Top plate).
- 2) Cut the binding band (1 pc) which fix the Clamp filter to the wires of the Coil-PMV and the TCS-Sensor.
- 3) Remove the Clamp filter from the wires of the Coil-PMV and TCS-Sensor.
- 4) Remove the wires of Coil-PMV from the Wire-clamp.
- 5) Remove each wire which is connected from the control P.C.board to other parts.

CN101	TCS Sensor	White
-------	------------	-------

- 6) Cut the binding band (1 pc) of gathering wires of the Coil-PMV and the TCS-Sensor
- 7) Remove heat-insulation covered sensor.
- 8) Remove the TCS-Sensor.

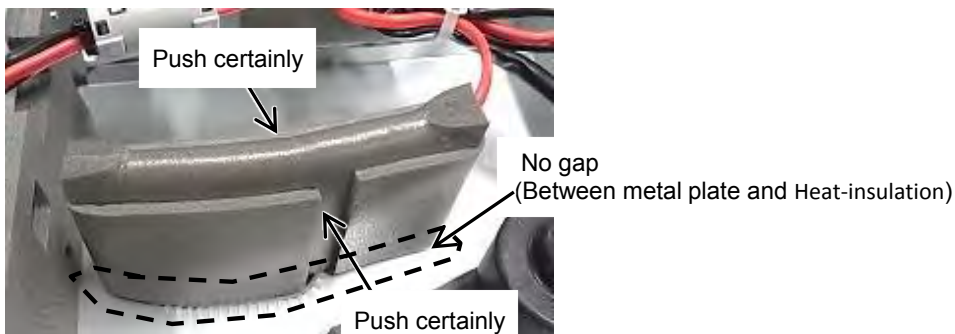


### 2 Attachment

- 1) Fix TCS-Sensor assembly as before.

The TCS-sensor should be inserted deeply into the sensor holder.
--

- 2) Connect the wires disconnected as before.
- 3) Fix the wire of the PMV-Coil by the Wire-Clamp as before.
- 4) Fix the Clamp filter by the binding band (field supply) (1 pc) to the wires of the Coil-PMV and the TCS-Sensor.
- 5) Fix wire of coil-PMV with wire of sensor by a binding band.
- 6) Attach new heat-insulation packed in sensor-service kit to sensor pipe. Push it certainly without gap.

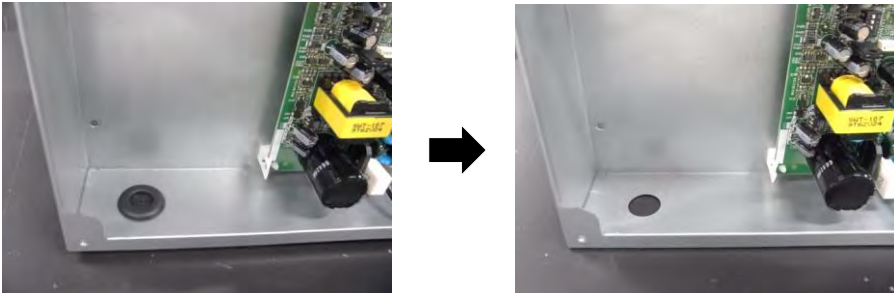


- 7) Attach the Electric parts cover and the Top plate. (Refer to 1. -2) and 5. -2))

## 9.BUSHING

### 1 Detachment

- 1) Perform work of procedure 1. of 1 Detachment . (Electric parts cover)
- 2) Remove Bushing from Electrical box.



### 2 Attachment

- 1) Attach Bushing to Electrical parts box.

Push Bushing to set its groove to steel sheet certainly.



- 2) Attach the Electric parts cover. (Refer to 1. of 2 Attachment)

## 10.BODY-SERVE

Before the work, be sure to recover the refrigerant of outdoor unit into cylinders or another unit connected to the same system.

(Refer to the chapter on "refrigerant recovery methods to be used during compressor replacement")

### 1 Detachment

- 1) Remove connecting pipes from FS unit.
- 2) Remove FS unit from 3 hanging-bolts.
- 3) Perform work of procedure 6. of 1 Detachment . (Coil of 2way-valve(SVS,SVSS,SVDD,SVD))
- 4) Perform work of procedure 7. -1 (Coil-PMV) and 8. -1 (TCS-Sensor).
- 5) Remove screws of Electrical parts box. ( $\phi 4 \times 0.3$ " (8mm), 4 pcs)
- 6) Remove screws of 3 Hanging brackets.( $\phi 4 \times 0.3$ " (8mm), 2 pcs)

### 2 Attachment

- 1) Attach 3 hangers.( $\phi 4 \times 0.3$ " (8mm), 2 pcs)
- 2) Attach Electrical parts box. ( $\phi 4 \times 0.3$ " (8mm), 4 pcs)
- 3) Perform work of procedure 7. -2 (Coil-PMV) and 8. -2 (TCS-Sensor).
- 4) Attach heat-insulation packed in Body-service kit to the PMV pipe.

Heat-insulation is attached to cover the PMV pipe.

- 5) Perform work of procedure 6. of 2 Attachment . (Coil of 2way-valve(SVS,SVSS,SVDD,SVD))
- 6) Hang FS unit by fixing 3 hanging brackets with washers.

Put washers at up and down of hanging bracket.  
Check that 4 sides are horizontal with a level gauge. (Horizontal degree: Within 0.2" (5mm))

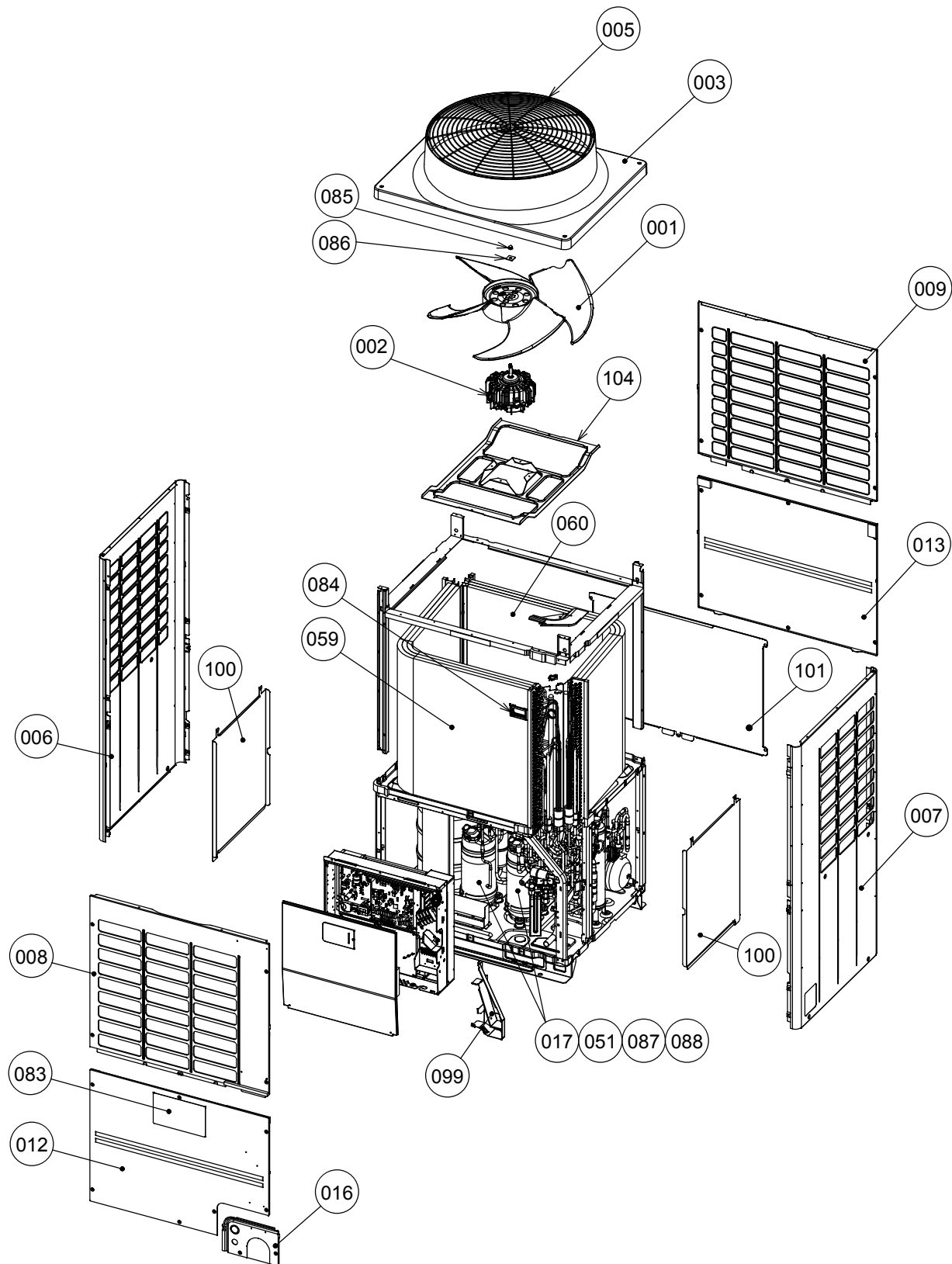
- 7) Connect and braze the connecting pipe.

# 17 EXPLODED DIAGRAM/PARTS LIST

## 17-1. OUTDOOR UNIT

Outdoor Unit (6 ton)

MMY-MAP0726FT9P-UL

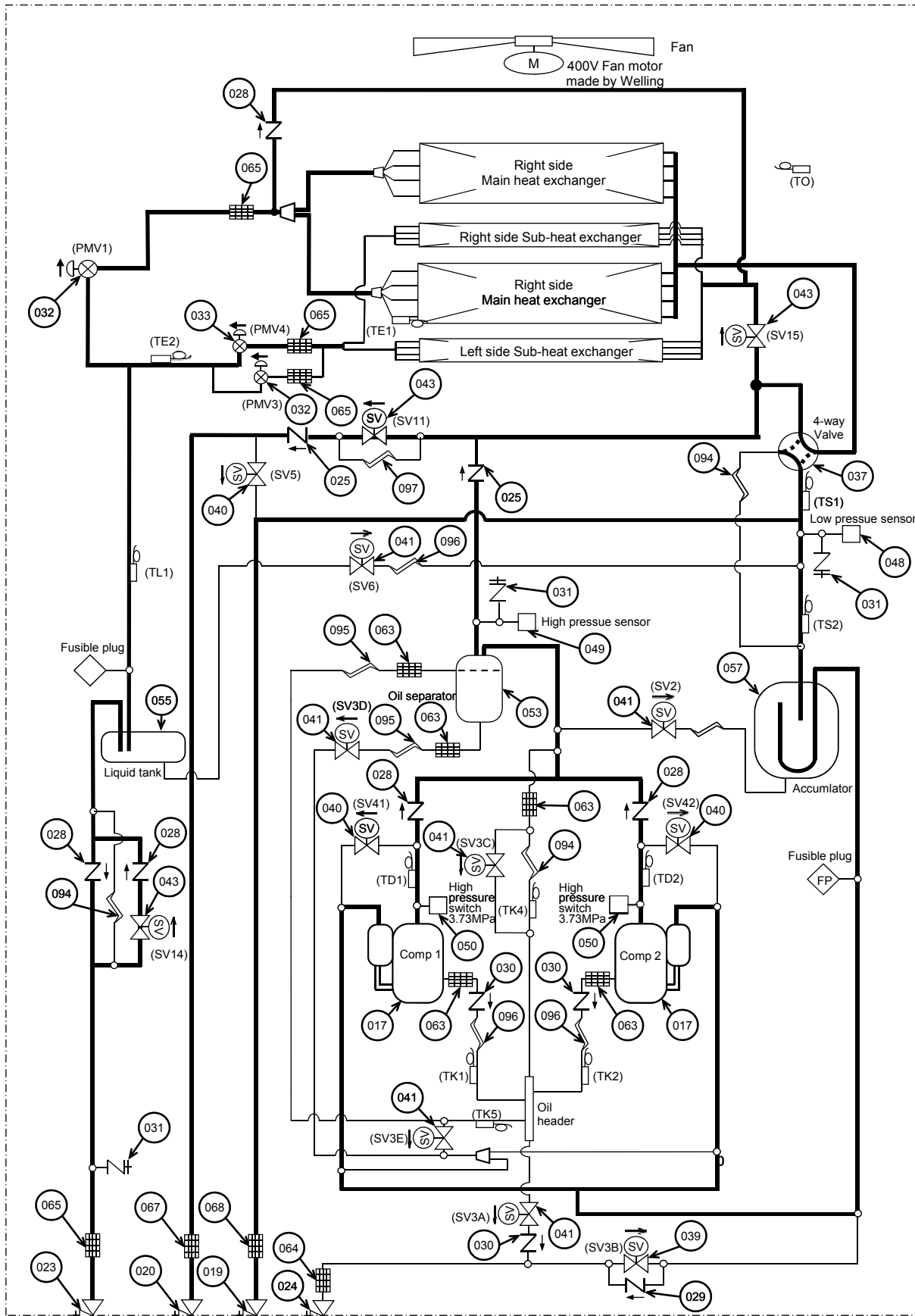




# REFRIGERATION CIRCUIT DIAGRAM

## Outdoor Unit (6 ton)

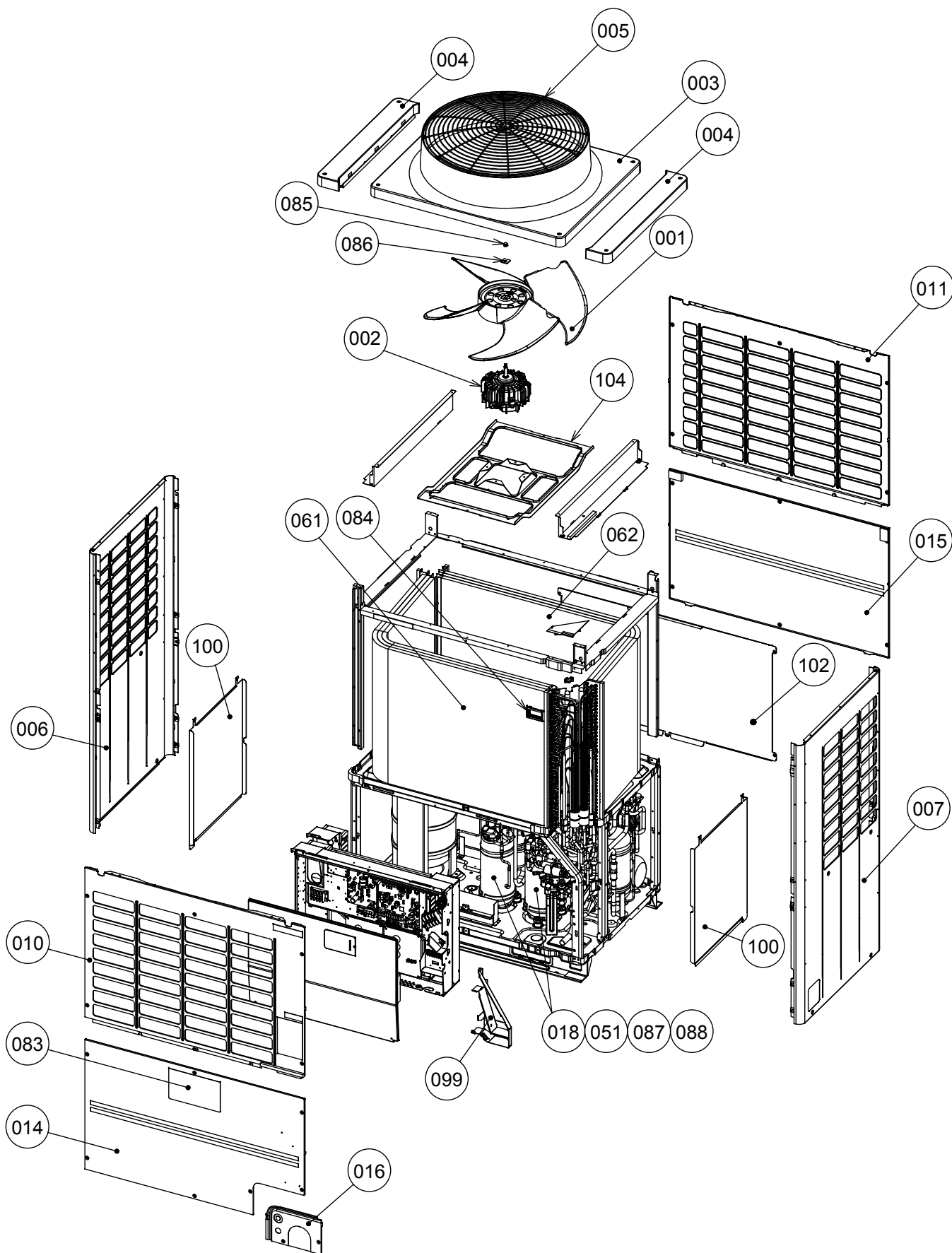
### MMY-MAP0726FT9P-UL



Liquid side Service valve  
 Discharge-gas side Service valve  
 Suction-gas side Service valve  
 Balance pipe Service valve

Symbol						
Solenoid valve	Capillary tube	Check valve	Check joint	Strainer	Temperature sensor	Distributor

**Outdoor Unit (8,10 ton)**  
**MMY-MAP0966FT9P-UL**  
**MMY-MAP1206FT9P-UL**





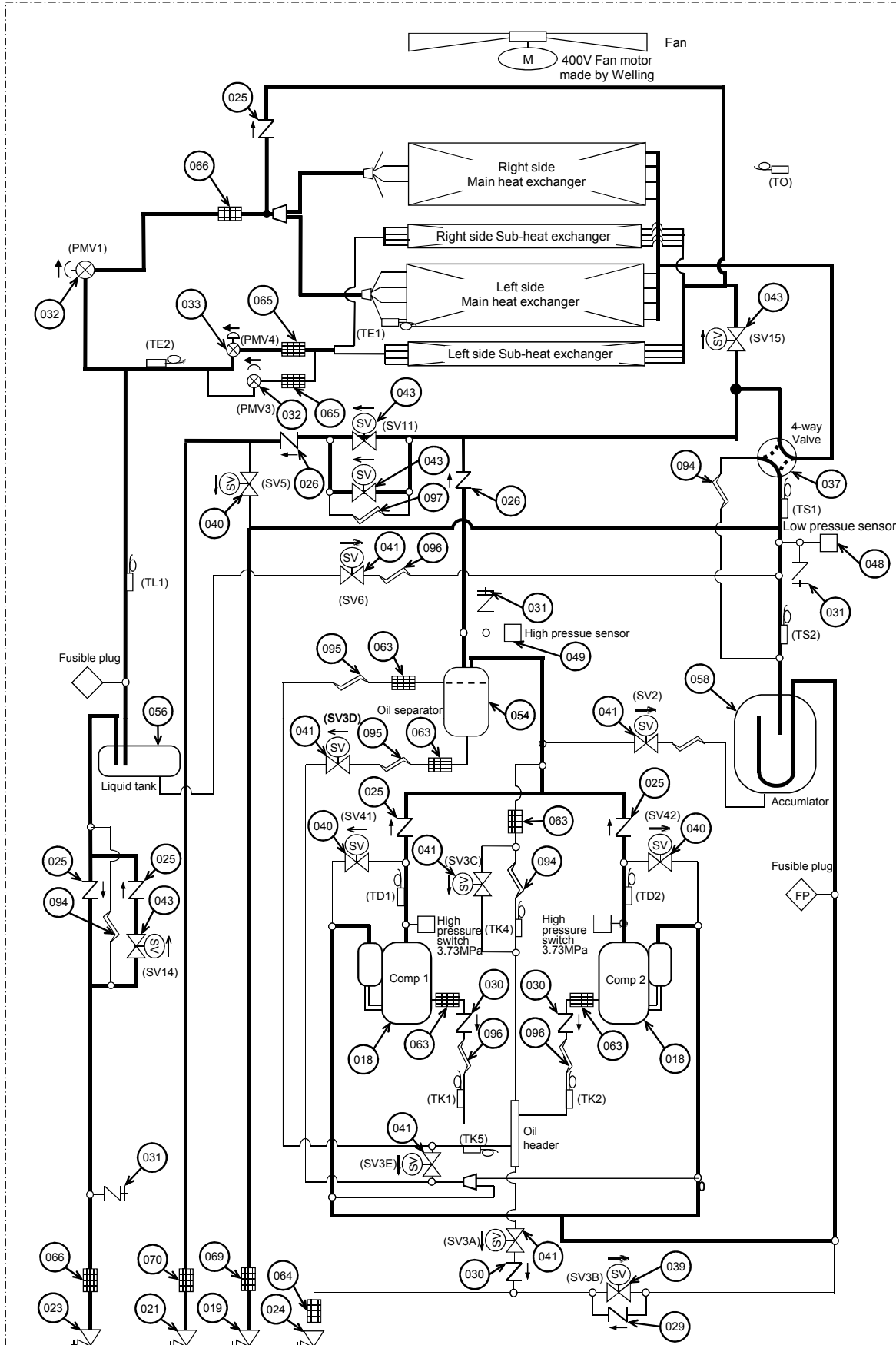


# REFRIGERATION CURCUIT DIAGRAM

Outdoor Unit (8,10 ton)

MMY-MAP0966FT9P-UL

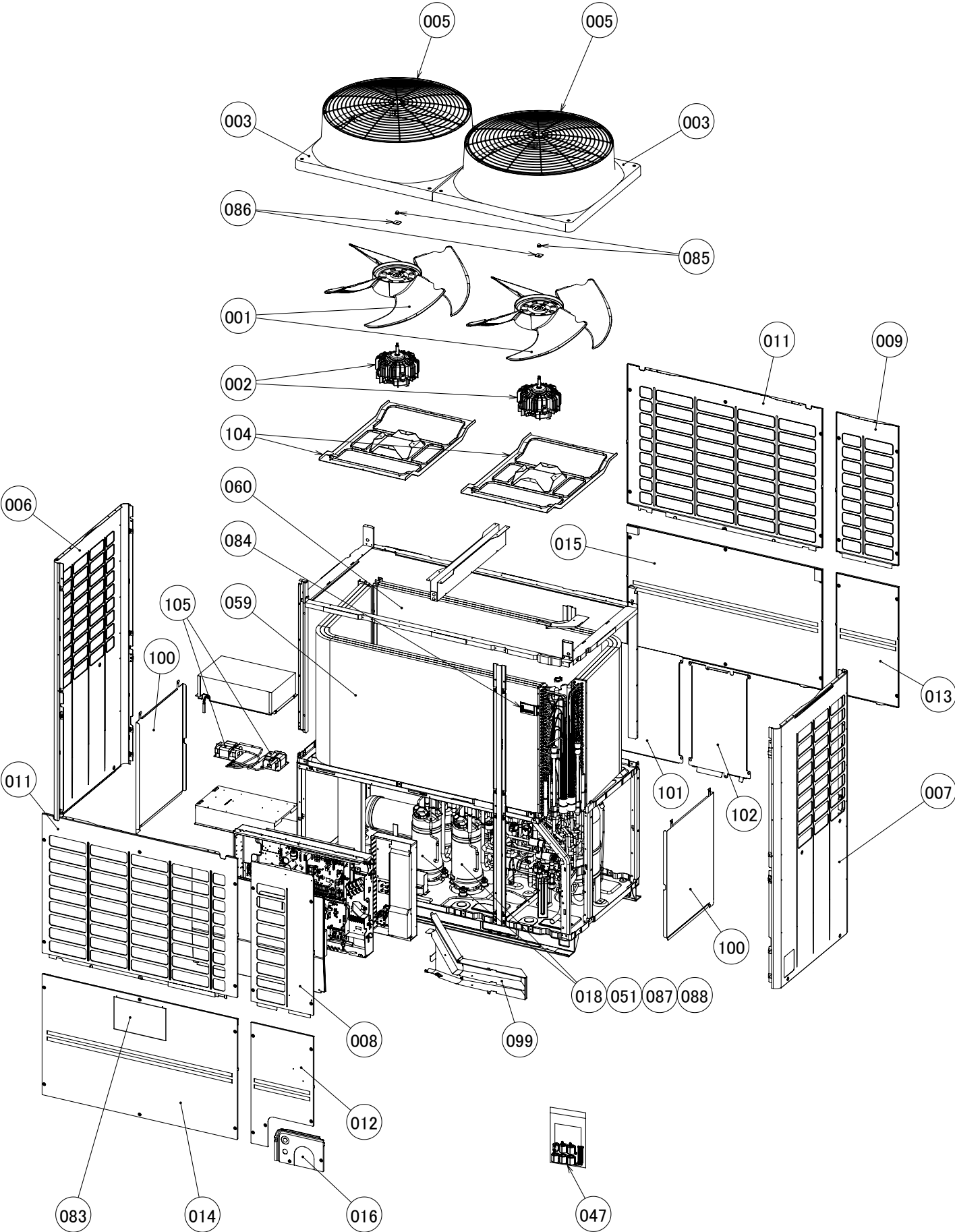
MMY-MAP1206FT9P-UL



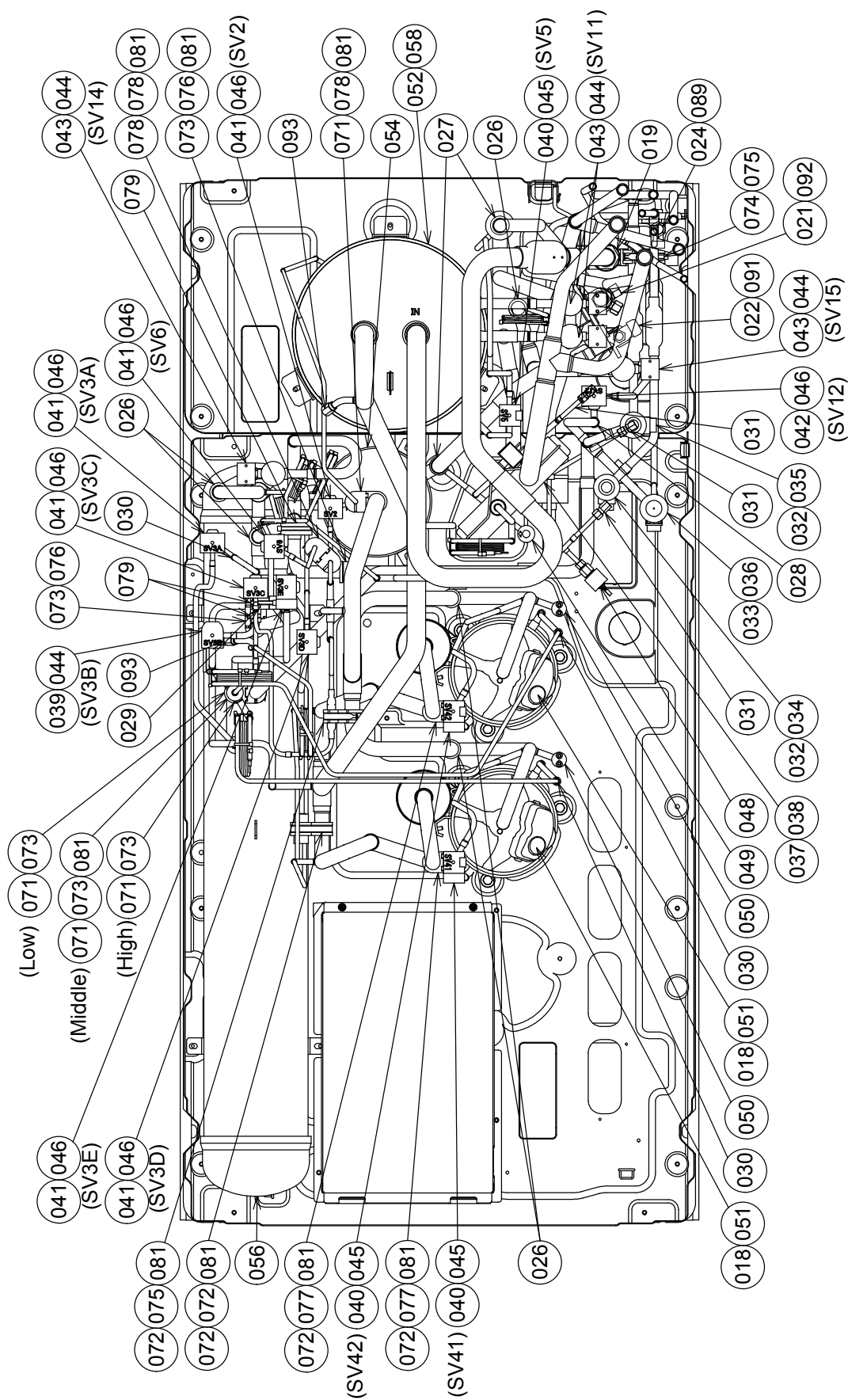
Liquid side Service valve  
 Discharge-gas side Service valve  
 Suction-gas side Service valve  
 Balance pipe Service valve

Symbol						
Solenoid valve	Capillary tube	Check valve	Check joint	Strainer	Temperature sensor	Distributor

**Outdoor Unit (12, 14 ton)**  
**MMY-MAP1446FT9P-UL**  
**MMY-MAP1686FT9P-UL**



# Outdoor Unit (12, 14 ton) MMY-MAP1446FT9P-UL MMY-MAP1686FT9P-UL

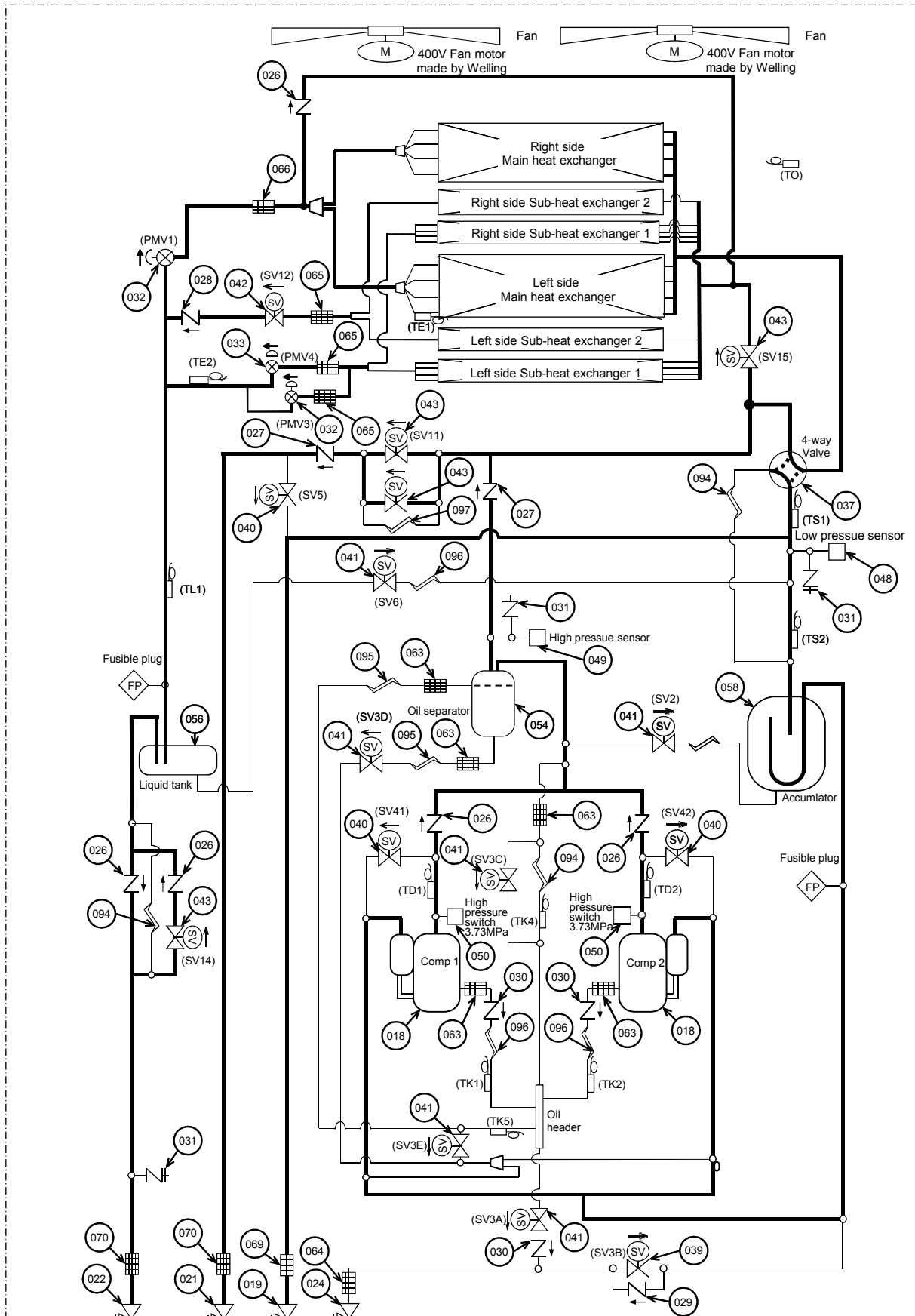


# REFRIGERATION CURCUIT DIAGRAM

Outdoor Unit (12,14 ton)

MMY-MAP1446FT9P-UL

MMY-MAP1686FT9P-UL



Liquid side Service valve  
 Discharge gas side Service valve  
 Suction-gas side Service valve  
 Balance pipe Service valve

Symbol						
Solenoid valve	Capillary tube	Check valve	Check joint	Strainer	Temperature sensor	Distributor

Ref. No.	Parts No.	Remarks	Q'ty/Set MMY-		
			MAP0726 FT9P-UL	MAP0966 FT9P-UL	MAP1206 FT9P-UL
001	43T20341	FAN, PROPELLER	1	1	1
002	43T20353	MOTOR, FAN, DC208-340V, 2300L	1	1	1
003	43T19365	CABINET, AIR OUTLET	1	1	1
004	43T19366	CABINET, SIDE, UP		2	2
005	43T19368	GUARD, FAN	1	1	1
006	43T00613	CABINET ASSY, SIDE, LEFT	1	1	1
007	43T00614	CABINET ASSY, SIDE, RIGHT	1	1	1
008	43T00624	CABINET, AIR INLET, FRONT	1		
009	43T00620	CABINET, AIR INLET, BACK	1		
010	43T00625	CABINET, AIR INLET, FRONT		1	1
011	43T00622	CABINET, AIR INLET, BACK		1	1
012	43T00615	CABINET ASSY, FRONT, DOWN	1		
013	43T00616	CABINET ASSY, BACK, DOWN	1		
014	43T00617	CABINET ASSY, FRONT, DOWN		1	1
015	43T00618	CABINET ASSY, BACK, DOWN		1	1
016	43T00693	PANEL	1	1	1
017	43T41503	COMPRESSOR, DA421A3TB-20M1	2		
018	43T41485	COMPRESSOR, RA641A3TB-20M		2	2
019	43T46393	VALVE, BALL, 25.4	1	1	1
020	43T46484	VALVE, BALL, SBV-JA5GTC-2	1		
021	43T46456	VALVE, BALL, SBV-JA6GTC-1		1	1
023	43T46467	VALVE, PACKED, 12.7	1	1	1
024	43T46366	VALVE, PACKED, 9.52	1	1	1
025	43T46444	VALVE, CHECK, UCV-A1505DRQ5	2	5	5
026	43T46445	VALVE, CHECK, UCV-A1506DRQ5		2	2
028	43T46398	VALVE, CHECKED, BCV-804DY	5		
029	43T46399	VALVE, CHECK, BCV-603DY	1	1	1
030	43T46400	VALVE, CHECKED, BCV-302DY	3	3	3
031	43T46409	JOINT,CHECK	3	3	3
032	43T46447	VALVE, PMV, PAM-BA2YGTF-1 (φ4.8)	2	2	2
033	43T46485	VALVE, PMV	1	1	1
034	43T46449	COIL, PMV	1	1	1
035	43T46486	COIL, PMV	1	1	1
036	43T46407	COIL, PMV	1	1	1
037	43T46479	VALVE, 4WAY, SHF-35B-67-04	1	1	1
038	43T46457	COIL, SOLENOID, AC208-230V 60HZ	1	1	1
039	43T46411	VALVE , 2WAY, VPV-603DQ2	1	1	1
040	43T46412	VALVE, 2WAY, FDF3A06	3	3	3
041	43T46454	VALVE, 2WAY, TEV-S1220DQ50	6	6	6
043	43T46498	VALVE, 2WAY, VPV-1204DQ55	3	4	4
044	43T46404	COIL, SOLENOID, VPV-MO AQ1843A0	4	5	5
045	43T46406	COIL, VALVE, 2WAY, FQ-D640	3	3	3
046	43T46458	COIL, VALVE, 2WAY, TEV-SMOAQ2247A1	6	6	6
048	43T50364	SENSOR ASSY, LOW PRESSURE	1	1	1

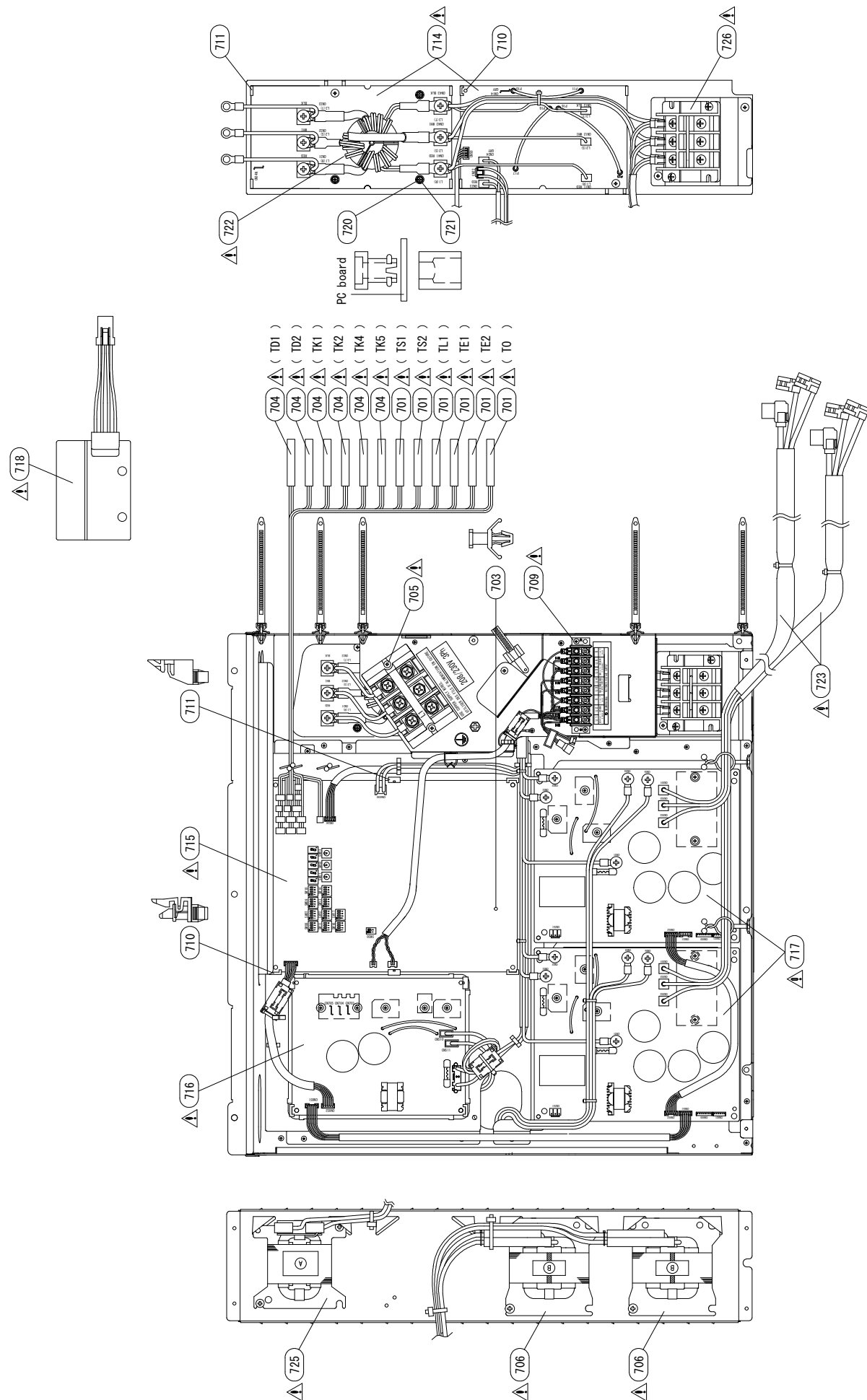
Ref. No.	Parts No.	Remarks	Q'ty/Set MMY-		
			MAP0726 FT9P-UL	MAP0966 FT9P-UL	MAP1206 FT9P-UL
049	43T50365	SENSOR ASSY, HIGH PRESSURE	1	1	1
050	43T63367	SWITCH, PRESSURE	2	2	2
051	43T57305	HEATER, CASE, 29W 240V	2	2	2
052	43T57308	HEATER, CASE, 55W 240V	1	1	1
053	43T48314	SEPARATOR	1		
054	43T48307	SEPARATOR		1	1
055	43T48317	TANK, LIQUID	1		
056	43T48318	TANK, LIQUID		1	1
057	43T48313	ACCUMULATOR	1		
058	43T48312	ACCUMULATOR		1	1
059	43T43531	CONDENSER ASSY, THREE ROW, LEFT	1		
060	43T43532	CONDENSER ASSY, THREE ROW, RIGHT	1		
061	43T43533	CONDENSER ASSY, THREE ROW, LEFT		1	1
062	43T43534	CONDENSER ASSY, THREE ROW, RIGHT		1	1
063	43T47388	STRAINER	5	5	5
064	43T47389	STRAINER	1	1	1
065	43T47390	STRAINER	4	2	2
066	43T47392	STRAINER		2	2
067	43T47393	STRAINER	1		
068	43T47394	STRAINER	1		
069	43T47395	STRAINER		1	1
070	43T47400	STRAINER		1	1
071	43T49348	RUBBER, SUPPORTER, PIPE	1	2	2
072	43T49349	RUBBER, SUPPORTER, PIPE	1	7	7
073	43T49350	RUBBER, SUPPORTER, PIPE	4	1	1
074	43T49351	RUBBER, SUPPORTER, PIPE	1	5	5
075	43T49352	RUBBER, SUPPORTER, PIPE	1	2	2
076	43T49353	RUBBER, SUPPORTER, PIPE		2	2
077	43T49354	RUBBER, SUPPORTER, PIPE	2	3	3
078	43T49355	RUBBER, SUPPORTER, PIPE	2	4	4
079	43T49347	RUBBER, SUPPORTER, PIPE	4	4	4
080	43T49360	RUBBER, SUPPORTER, PIPE	2		
081	43T49358	BAND, FIX	6	10	10
082	43T19333	HOLDER, SENSOR	12	12	12
083	43T01315	MARK, TOSHIBA	1	1	1
084	43T63358	HOLDER, NFC	1	1	1
085	43T39351	NUT, FLANGE	1	1	1
086	43T39350	WASHER	1	1	1
087	43T47385	BOLT, COMPRESSOR	6	6	6
088	43T49357	RUBBER, CUSHION	6	6	6
089	43T47332	BONNET, 3/8 IN	1	1	1
090	43T47333	BONNET, 1/2 IN	1	1	1
091	43T47334	BONNET, 5/8 IN	1		
092	43T47402	BONNET, 3/4 IN		1	1
093	43T49338	PLUG, FUSIBLE	2	2	2
094	43T47374	TUBE, CAPILLARY, ID 0.8	1	1	1
095	43T47375	TUBE, CAPILLARY, ID 1.0	1	1	1
096	43T47376	TUBE, CAPILLARY, ID 1.2	1	1	1
097	43T47406	TUBE, CAPILLARY, ID 1.5	1	1	1
098	43T85629	OWNER'S MANUAL	1	1	1
099	43T00698	GUARD,WIRE	1	1	1
100	43T00696	PLATE PROTECTOR,SIDE	2	2	2
101	43T00695	PLATE PROTECTOR	1		
102	43T00694	PLATE PROTECTOR		1	1
104	43T00700	MOTOR BASE COATING ASSEMBLY	1	1	1

Ref. No.	Parts No.	Remarks	Q'ty/Set MMY-	
			MAP1446 FT9P-UL	MAP1686 FT9P-UL
001	43T20341	FAN, PROPELLER	2	2
002	43T20354	MOTOR, FAN, DC208-340V, 3500L	2	2
003	43T19367	CABINET, AIR OUTLET	2	2
005	43T19368	GUARD, FAN	2	2
006	43T00663	CABINET ASSY, SIDE, LEFT	1	1
007	43T00664	CABINET ASSY, SIDE, RIGHT	1	1
008	43T00665	CABINET, AIR INLET, FRONT	1	1
009	43T00666	CABINET, AIR INLET, BACK	1	1
011	43T00622	CABINET, AIR INLET, BACK	2	2
012	43T00667	CABINET ASSY, FRONT, DOWN	1	1
013	43T00668	CABINET ASSY, BACK, DOWN	1	1
014	43T00669	CABINET ASSY, FRONT, DOWN	1	1
015	43T00618	CABINET ASSY, BACK, DOWN	1	1
016	43T00693	PANEL	1	1
018	43T41485	COMPRESSOR, RA641A3TB-20M	2	2
019	43T46393	VALVE, BALL, 25.4	1	1
021	43T46456	VALVE, BALL, SBV-JA6GTC-1	1	1
022	43T46386	VALVE, PACKED, 15.88 DIA	1	1
024	43T46366	VALVE, PACKED, 9.52	1	1
026	43T46445	VALVE, CHECK, UCV-A1506DRQ5	5	5
027	43T46446	VALVE, CHECK, UCV-A1507DR	2	2
028	43T46398	VALVE, CHECKED, BCV-804DY	1	1
029	43T46399	VALVE, CHECK, BCV-603DY	1	1
030	43T46400	VALVE, CHECKED, BCV-302DY	3	3
031	43T46409	JOINT,CHECK	3	3
032	43T46447	VALVE, PMV, PAM-BA2YGTF-1 (φ4.8)	2	2
033	43T46485	VALVE, PMV	1	1
034	43T46449	COIL, PMV	1	1
035	43T46486	COIL, PMV	1	1
036	43T46407	COIL, PMV	1	1
037	43T46479	VALVE, 4WAY, SHF-35B-67-04	1	1
038	43T46457	COIL, SOLENOID, AC208-230V 60HZ	1	1
039	43T46411	VALVE , 2WAY, VPV-603DQ2	1	1
040	43T46412	VALVE, 2WAY, FDF3A06	3	3
041	43T46454	VALVE, 2WAY, TEV-S1220DQ50	6	6
042	43T46468	VALVE, 2WAY, TEV-S1920D	1	1
043	43T46498	VALVE, 2WAY, VPV-1204DQ55	4	4
044	43T46404	COIL, SOLENOID, VPV-MOAQ1843A0	5	5
045	43T46406	COIL, VALVE, 2WAY, FQ-D640	3	3
046	43T46458	COIL, VALVE, 2WAY, TEV-SMOAQ2247A1	7	7
047	43T60472	CLAMP FILTER	1	1
048	43T50364	SENSOR ASSY, LOW PRESSURE	1	1



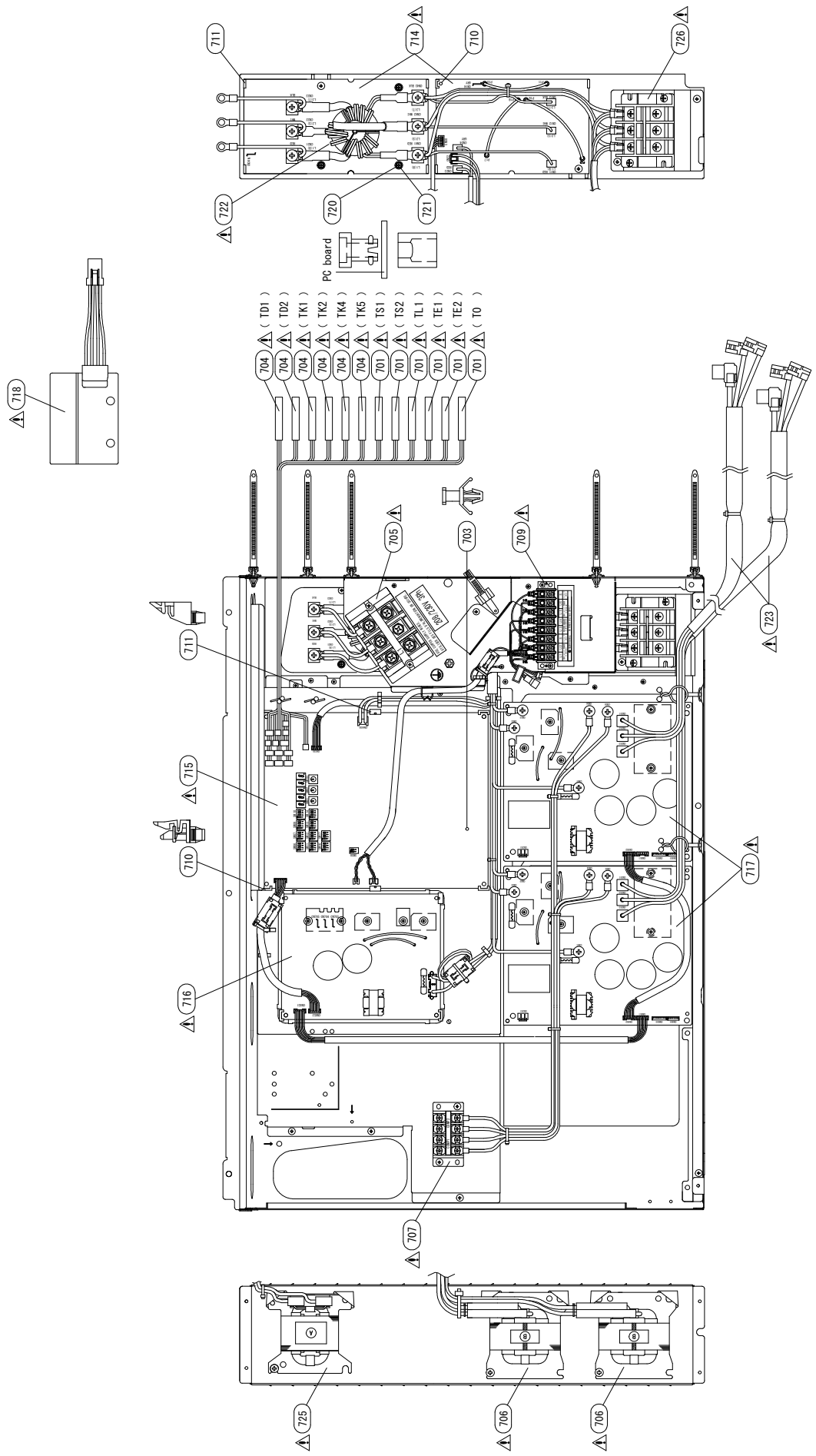
Ref. No.	Parts No.	Remarks	Q'ty/Set	MMY-
			MAP1446 FT9P-UL	MAP1686 FT9P-UL
049	43T50365	SENSOR ASSY, HIGH PRESSURE	1	1
050	43T63367	SWITCH, PRESSURE	2	2
051	43T57305	HEATER, CASE, 29W 240V	2	2
052	43T57308	HEATER, CASE, 55W 240V	1	1
054	43T48307	SEPARATOR	1	1
056	43T48318	TANK, LIQUID	1	1
058	43T48312	ACCUMULATOR	1	1
059	43T43535	CONDENSER ASSY, THREE ROW, LEFT	1	1
060	43T43536	CONDENSER ASSY, THREE ROW, RIGHT	1	1
063	43T47388	STRAINER	5	5
064	43T47389	STRAINER	1	1
065	43T47390	STRAINER	3	3
066	43T47392	STRAINER	1	1
069	43T47395	STRAINER	1	1
070	43T47400	STRAINER	2	2
071	43T49348	RUBBER, SUPPORTER, PIPE	4	4
072	43T49349	RUBBER, SUPPORTER, PIPE	5	5
073	43T49350	RUBBER, SUPPORTER, PIPE	5	5
074	43T49351	RUBBER, SUPPORTER, PIPE	1	1
075	43T49352	RUBBER, SUPPORTER, PIPE	2	2
076	43T49353	RUBBER, SUPPORTER, PIPE	2	2
077	43T49354	RUBBER, SUPPORTER, PIPE	2	2
078	43T49355	RUBBER, SUPPORTER, PIPE	3	3
079	43T49347	RUBBER, SUPPORTER, PIPE	3	3
081	43T49358	BAND, FIX	8	8
082	43T19333	HOLDER, SENSOR	12	12
083	43T01315	MARK, TOSHIBA	1	1
084	43T63358	HOLDER, NFC	1	1
085	43T39351	NUT, FLANGE	2	2
086	43T39350	WASHER	2	2
087	43T47385	BOLT, COMPRESSOR	6	6
088	43T49357	RUBBER, CUSHION	6	6
089	43T47332	BONNET, 3/8 IN	1	1
091	43T47334	BONNET, 5/8 IN	1	1
092	43T47402	BONNET, 3/4 IN	1	1
093	43T49338	PLUG, FUSIBLE	2	2
094	43T47374	TUBE, CAPILLARY, ID 0.8	1	1
095	43T47375	TUBE, CAPILLARY, ID 1.0	1	1
096	43T47376	TUBE, CAPILLARY, ID 1.2	1	1
097	43T47406	TUBE, CAPILLARY, ID 1.5	1	1
098	43T85629	OWNER'S MANUAL	1	1
099	43T00699	GUARD,WIRE	1	1
100	43T00696	PLATE PROTECTOR,SIDE	2	2
101	43T00694	PLATE PROTECTOR	1	1
102	43T00697	PLATE PROTECTOR	1	1
104	43T00700	MOTOR BASE COATING ASSEMBLY	2	2
105	43T58334	REACTOR (CH-95)	2	2

# 17-2. Inverter Assembly MMY-MAP0726FT9P-UL



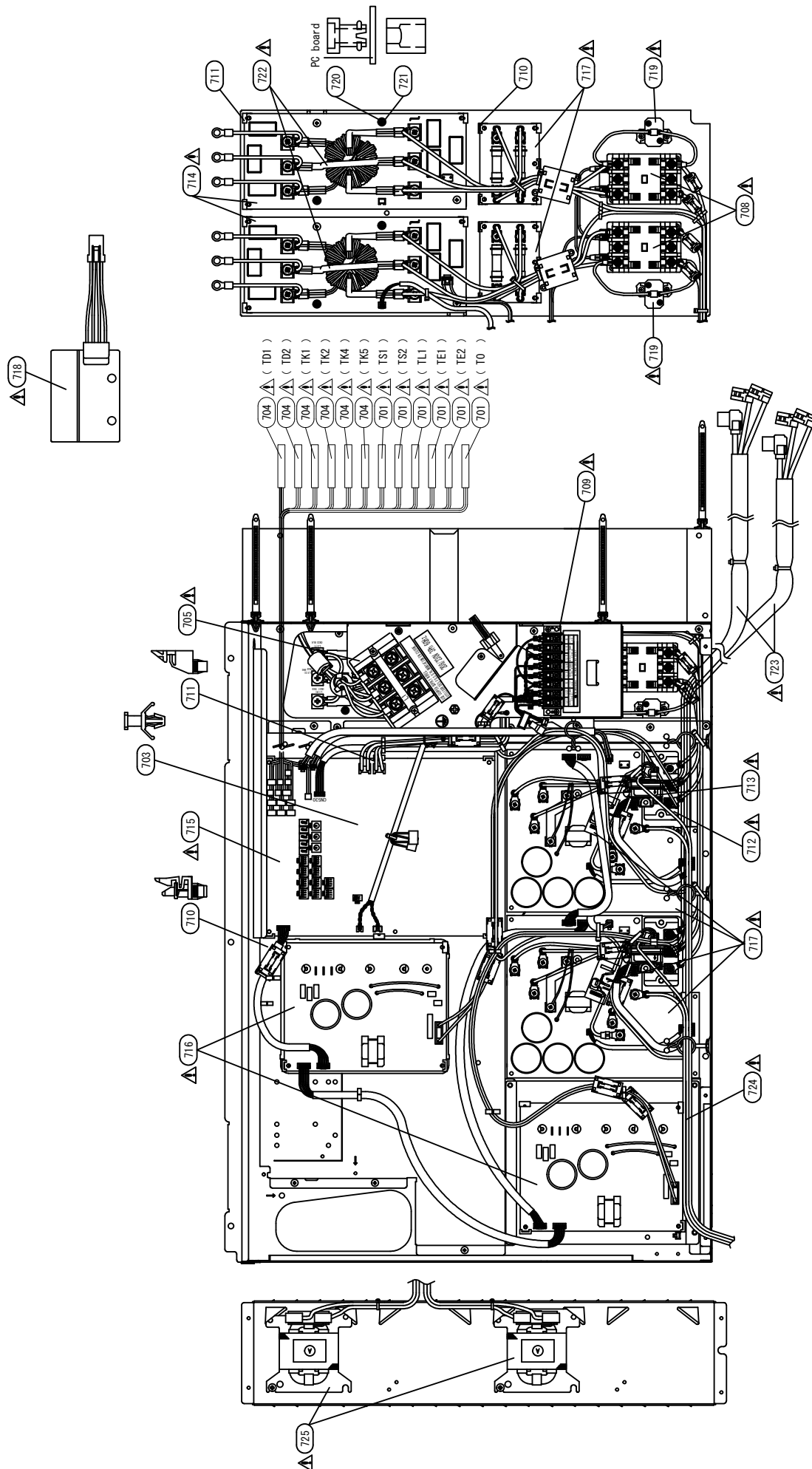
# Inverter Assembly

## MMY-MAP0966FT9P-UL, MMY-MAP1204FT9P-UL



# Inverter Assembly

## MMY-MAP1446FT9P-UL, MMY-MAP1686FT9P-UL

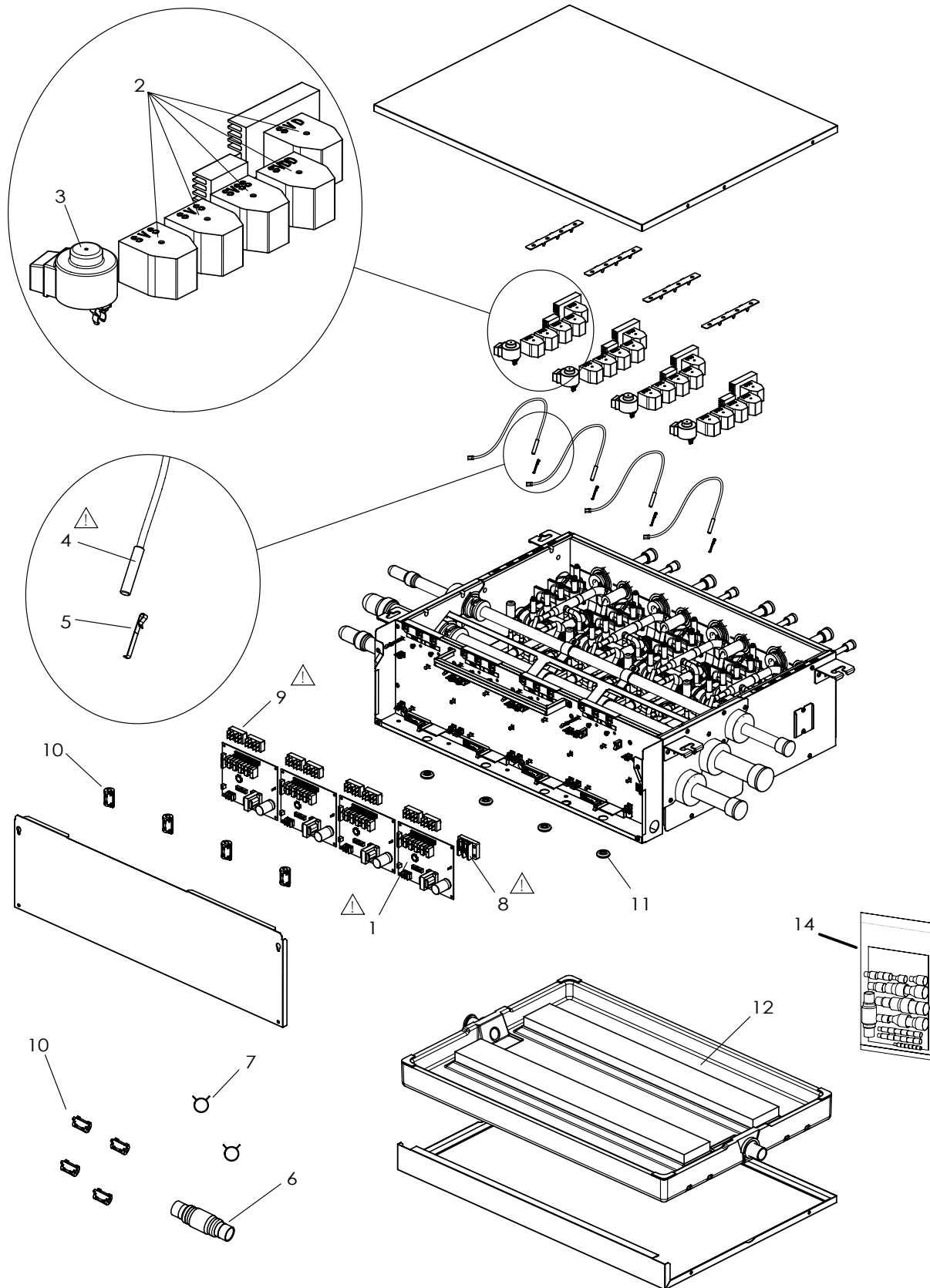


Ref. No.	Part No.	Description	Q'ty/Set MMY-				
			MAP0726 FT9P-UL	MAP0966 FT9P-UL	MAP1206 FT9P-UL	MAP1446 FT9P-UL	MAP1686 FT9P-UL
701	43T50347	SENSOR ASSY, SERVICE	6	6	6	6	6
703	43T95303	SUPPORTER, ASSY	2	2	2	2	2
704	43T50348	SENSOR,TD (F6)	6	6	6	6	6
705	43T60440	TERMINAL, 3P, 100A	1	1	1	1	1
706	43T58318	REACTOR, CH-80	2	2	2		
707	43T60453	TERMINAL, 4P		1	1		
708	43T52322	CONTACTOR, MAGNETIC				2	2
709	43T60457	TERMINAL, 8P	1	1	1	1	1
710	43T95301	SUPORT, SPACER	7	7	7	14	14
711	43T95302	SPACER(EDGE)	10	10	10	18	18
712	43T31301	DIODE, 60A				2	2
713	43T50368	SENSOR, DCCT				2	2
714	43T6V777	PC BOARD ASSY, NOISE FILTER, MCC-1608	1	1	1		
	43T6V781	PC BOARD ASSY, NOISE FILTER, MCC-1680				2	2
715	43T6V995	PC BOARD ASSY, INTERFACE, MCC-1673	1	1	1	1	1
716	43T6V776	PC BOARD ASSY, FAN-IPDU, MCC-1610	1	1	1	2	2
717*	43T6V778	PC BOARD ASSY, COMP-IPDU, MCC-1595	2				
	43T6V779	PC BOARD ASSY, COMP-IPDU, MCC-1595		2	2		
	43T6V780	PC BOARD ASSY, COMP-IPDU, MCC-1687				2	2
718	43T6W621	PC BOARD ASSY, NFC, MCC-1667	1	1	1	1	1
719	43T50345	THERMISTOR, PTC				2	2
720	43T96307	BUSHING	3	3	3	4	4
721	43T96306	COLLAR	3	3	3	4	4
722	43T55361	FILTER, LINE	1	1	1	2	2
723	43T60469	LEAD ASSY, COMPRESSOR	2	2	2		
	43T60470	LEAD ASSY, COMPRESSOR				2	2
724	43T60471	LEAD ASSY, REACTOR				2	2
725	43T58316	REACTOR, CH-55	1	1	1	2	2
726	43T60424	TERMINAL, 3P, 60A	1	1	1		

\*Note: Do not miss the Part No. (Both parts are same MCC No., but different Part No.)

# 17-3. Multi port FS unit

Models: RBM-Y0611F4PUL, RBM-Y0611F6PUL

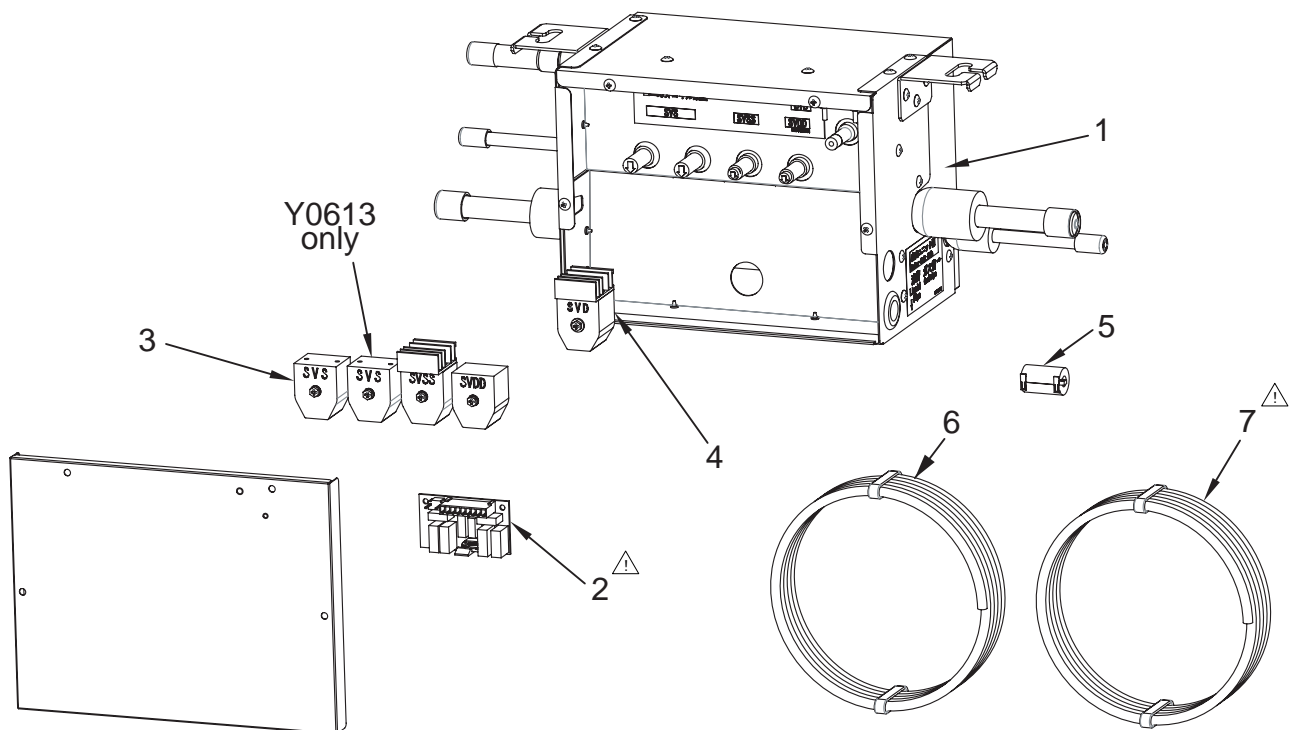


⚠	Ref. No.	Parts No.	Description	Q'ty/Set	
				RBM-Y0611	
				F4PUL	F6PUL
⚠	001	43T6V766	PC BOARD ASSY, MCC-1681	4	6
	002	43T46404	COIL, SOLENOID, VPV	20	30
⚠	003	43T46476	COIL-PMV	4	6
	004	43T50347	SENSOR TCS	4	6
	005	43T19333	HOLDER, SENSOR	4	6
	006	43T70317	ASM-HOSE	1	1
	007	43T83313	HOSE-BAND	2	2
⚠	008	43T60435	SERV-TERMINAL	1	1
⚠	009	43T60016	TERMINAL, 2P	8	12
	010	43T60037	CLAMP-FILTER	4	6
	011	43T96309	BUSHING	4	6
	012	43T72327	DRAIN PAN ASSY	1	
	012	43T72328	DRAIN PAN ASSY		1
	014	43T70329	ACCESSORY ASSEMBLY; SOCKET	1	1

⚠ means highly important parts to maintain product safety.



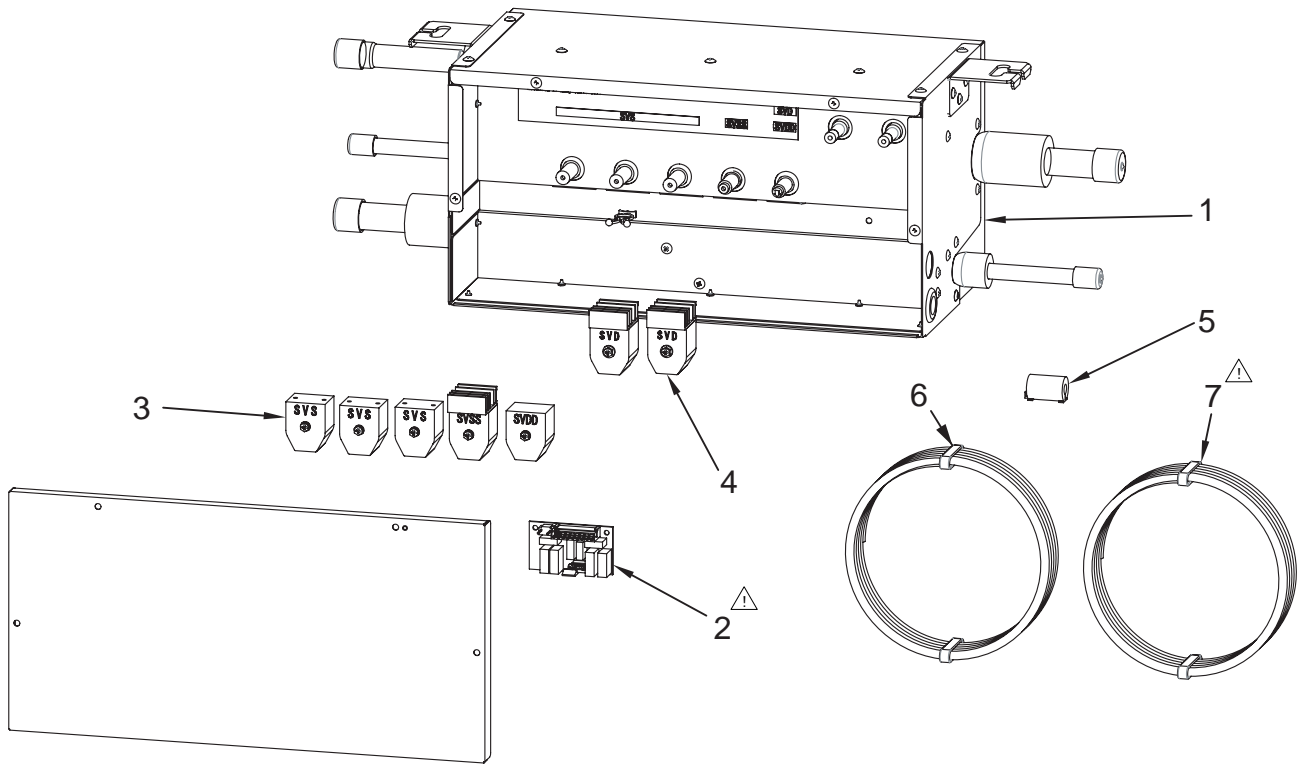
**17-4. Single port FS unit RBM-  
Y0383FUL, RBM-Y0613FUL**



⚠	Location No.	Part No.	Description	RBM-Y0383FUL	RBM-Y0613FUL
	1	43149418	BODY ASSY, SERVICE	1	
	1	43149417	BODY ASSY, SERVICE		1
⚠	2	4316V338	PC BOARD ASSY, MCC-1431	1	1
	3	4314N046	COIL, SOLENOID, AC208-230 60Hz	3	4
	4	4314N125	2WAY, COIL, ASSY	1	1
	5	43F60029	FILTER,NOISE	1	1
	6	43135013	CABLE ASSY, POWER	1	1
⚠	7	43135017	CABLE ASSY	1	1

⚠ means highly important parts to maintain product safety.

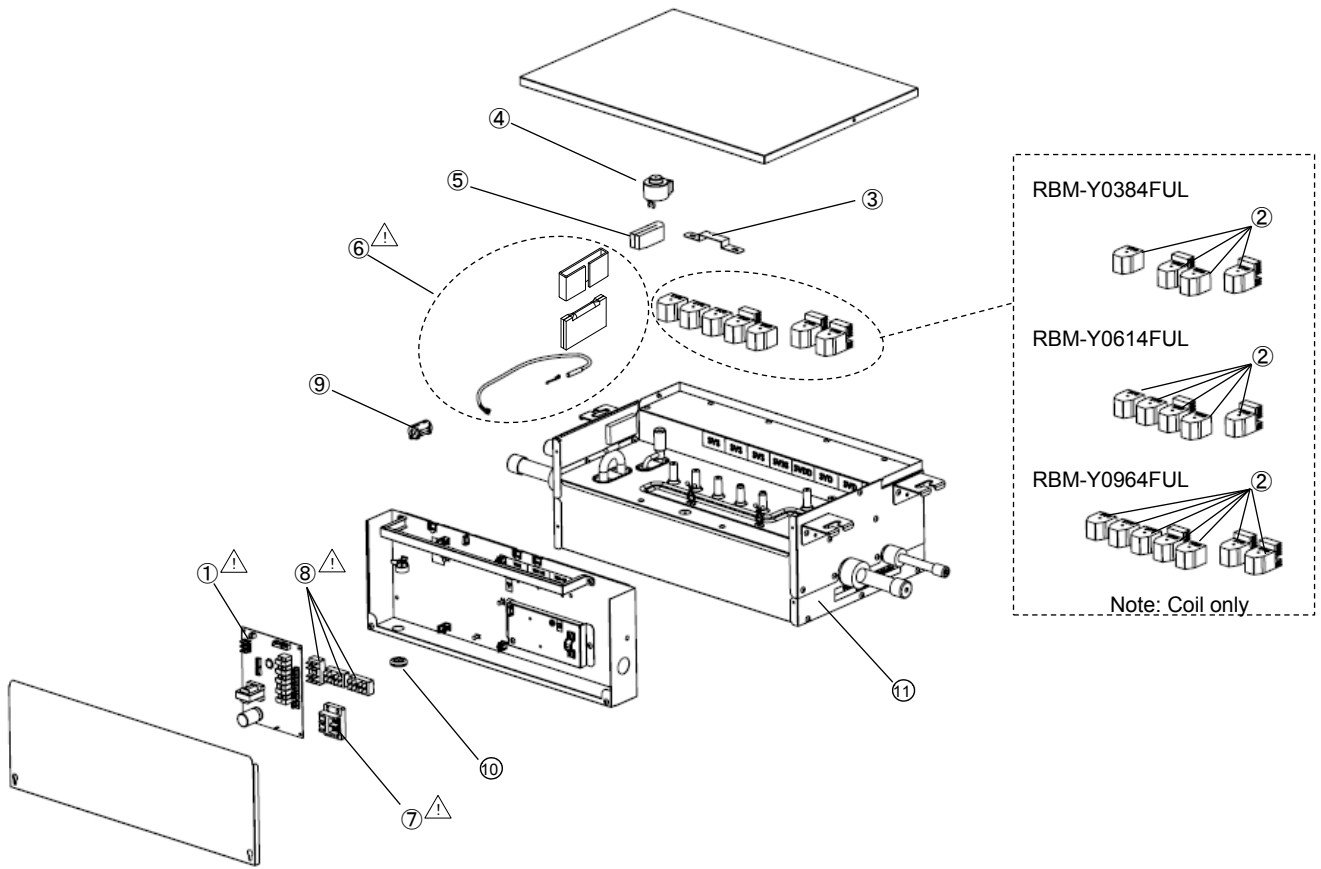
RBM-Y0963FUL



⚠	Location No.	Part No.	Description	RBM-Y0963FUL
	1	43149419	BODY ASSY, SERVICE	1
⚠	2	4316V338	PC BOARD ASSY, MCC-1431	1
	3	4314N046	COIL, SOLENOID, AC208-230 60Hz	5
	4	4314N125	2WAY, COIL, ASSY	2
	5	43F60029	FILTER,NOISE	3
	6	43135013	CABLE ASSY, POWER	1
⚠	7	43135017	CABLE ASSY	1

⚠ means highly important parts to maintain product safety.

RBM-Y0384FUL, RBM-Y0614FUL, RBM-Y0964FUL



⚠	Location No.	Part No.	Description	RBM-Y0384FUL	RBM-Y0614FUL	RBM-Y0964FUL
⚠	1	4316V615	PC BOARD ASSY	1	1	1
	2	4314N046	COIL, SOLENOID, AC208-230V 60HZ	4	5	7
	3	43119537	PLATE, CONNECTION COIL	1	1	1
	4	4314N149	COIL, PMV	1	1	1
	5	43111373	INSULATOR, PMV	1	1	1
⚠	6	43150382	SENSOR, ASSY, TCS	1	1	1
⚠	7	43160575	TERMINAL BLOCK, 2P, 20A	1	1	1
⚠	8	43160467	TERMINAL, 2P	1	2	3
	9	43F60029	FILTER, NOISE	2	2	2
	10	43007101	BUSHING	1	1	1
	11	43149450	BODY ASSY, SERVICE	1		
	11	43149451	BODY ASSY, SERVICE		1	
	11	43149452	BODY ASSY, SERVICE			1

⚠ means highly important parts to maintain product safety.

# WARNINGS ON REFRIGERANT LEAKAGE

## Check of Concentration Limit

The room in which the air conditioner is to be installed requires a design that in the event of refrigerant gas leaking out, its concentration will not exceed a set limit. The refrigerant R410A which is used in the air conditioner is safe, without the toxicity or combustibility of ammonia, and is not restricted by laws to be imposed which protect the ozone layer. However, since it contains more than air, it poses the risk of suffocation if its concentration should rise excessively. Suffocation from leakage of R410A is almost non-existent. With the recent increase in the number of high concentration buildings, however, the installation of multi air conditioner systems is on the increase because of the need for effective use of floor space, individual control, energy conservation by curtailing heat and carrying power etc. Most importantly, the multi air conditioner system is able to replenish a large amount of refrigerant compared with conventional individual air conditioners. If a single unit of the multi conditioner system is to be installed in a small room, select a suitable model and installation procedure so that if the refrigerant accidentally leaks out, its concentration does not reach the limit (and in the event of an emergency, measures can be made before injury can occur). In a room where the concentration may exceed the limit, create an opening with adjacent rooms, or install mechanical ventilation combined with a gas leak detection device.

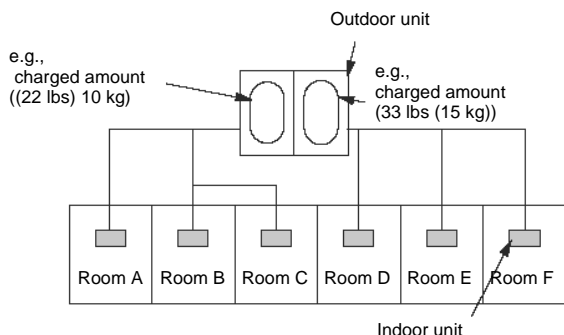
$$\frac{\text{Total amount of refrigerant (lbs (kg))}}{\text{Min. volume of the indoor unit installed room (ft}^3 \text{ (m}^3\text{))}} \leq \text{Concentration limit (lbs/ft}^3 \text{ (kg/m}^3\text{))}$$

### Concentration limit

Compliance to the local applicable regulations and standards for the concentration limit is required.

### NOTE 1 :

If there are 2 or more refrigerating systems in a single refrigerating device, the amounts of refrigerant should be as charged in each independent device.



For the amount of charge in this example:

The possible amount of leaked refrigerant gas in rooms A, B and C is 22 lbs (10 kg).

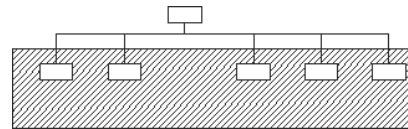
The possible amount of leaked refrigerant gas in rooms D, E and F is 33 lbs (15 kg).

## Important

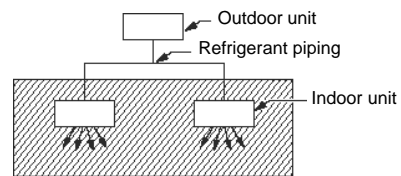
### NOTE 2 :

The standards for minimum room volume are as follows.

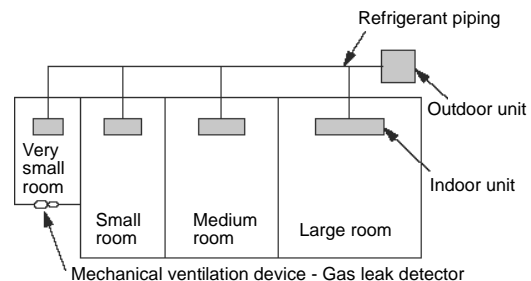
- (1) No partition (shaded portion)



- (2) When there is an effective opening with the adjacent room for ventilation of leaking refrigerant gas (opening without a door, or an opening 0.15 % or larger than the respective floor spaces at the top or bottom of the door).



- (3) If an indoor unit is installed in each partitioned room and the refrigerant piping is interconnected, the smallest room of course becomes the object. But when a mechanical ventilation is installed interlocked with a gas leakage detector in the smallest room where the density limit is exceeded, the volume of the next smallest room becomes the object.



**TOSHIBA CARRIER (THAILAND) CO.,LTD.**

144 / 9 Moo 5, Bangkadi Industrial Park, Tivanon Road, Amphur Muang, Pathumthani 12000, Thailand