



Room Air 2000

HC Series Air Conditioners (cool only) 29,800-32,500 Btu/Hr

Carrier's HC Series is engineered to meet the demanding cooling requirements of larger homes, offices and shops from 1,800 to 2,800 square feet in area.



Carrier offers so many comfort choices, you'll easily find one that's exactly right for you. HC models feature:

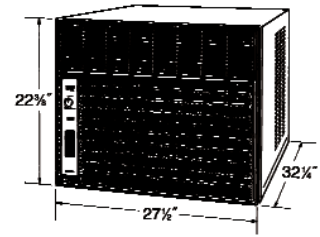
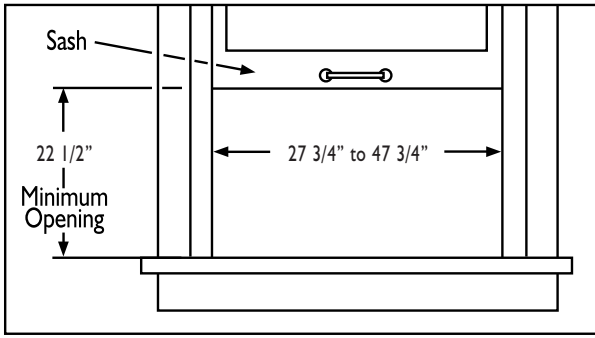
- Quiet, reliable operation
- SureTemp™ automatic thermostat
- Three-speed cooling
- Four-way air flow control to distribute cool air where needed
- Highly efficient, energy-saving operation
- Exhaust control to expel stale air
- Slide-out chassis for easy through-the-wall installation and access
- Weather Armor™ cabinet provides three times the salt corrosion protection of ordinary enamel finishes

Model	Voltage	Cooling Capacity (Btu/Hr)	EER
HCA313D	230/208	30,500/29,800	9.0/8.8
HCA333D	230/208	32,500/32,200	8.2/8.2

Accessory mounting kit available for window installation. Part #51HK900-021



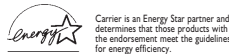
Window and Unit Dimensions:



Product Specifications:

Model	Capacity, Btu/Hr	Volts	EER	Watts	Amperes	Receptacle Type	Fuse Size *	Fan Speeds	Moisture Removal, Pts./Hr.	CFM, Hi/Lo	Air Throw, Feet	Air Flow Control	Ventilation	Exhaust	Energy Saver Switch	Cabinet Dimensions				Chassis Type	Window Installation Kit	Weight (net/s hip)	UPC Code Numbers		
																	A (height)	B (width)	C (depth)	D (depth without grille)					
HCA313D	30500	230	9.0	3388	15.9	5	30	3	11.2	675/580	55	4-WAY	NO	YES	NO	22 1/4	27 1/4	32 1/4	12	SLIDE-OUT	ACCESSORY	256/268	781897100256		
	29800	208	8.8	3338	16.6																				
HCA333D	32500	230	8.2	3960	18.5	5	30	3	12.0	675/580	55	4-WAY	NO	YES	NO	22 1/4	27 1/4	32 1/4	12	SLIDE-OUT	ACCESSORY	256/268	781897100263		
	32200	208	8.2	3930	19.4																				

*Fuse Time delay or equivalent.



Required Wall Receptacles



www.carrier.com

Due to Carrier's commitment to continuous improvement, specifications are subject to change without notice.

For a complete listing of Carrier Room Air Conditioners, visit us at www.carrier.com