



Heating & Cooling Systems

# Geothermal System Components Catalog



Effective October 15, 2017

# Bryant Geothermal Accessories

Bryant offers a wide variety of accessories for geothermal installations including flow centers (pressurized and non-pressurized), hose kits, fittings, unit mounting pads, auxiliary heaters, service tools and more. These products are listed in this Geothermal System Components Catalog (part number AG-GEOBRY-08).

On occasion, a geothermal installation may require components that are not currently offered by Bryant. Examples of items available that are not currently supplied by Bryant include: commercial flow centers and pumps, multi-circuit flow centers, hydraulic separators, butterfly valves, wye strainers, geothermal pipe and fittings, hydronic buffer tanks, and much more. Contact your Bryant Distributor for information and pricing on additional geothermal accessories. Note that items not supplied by Bryant are not covered by the Bryant warranty.

# Table of Contents

## Residential Flow Centers

Flo-Link Series Pressurized Flow Centers.....	2,6
GPM Series Pressurized Flow Centers .....	2,8
Variable Speed Pressurized Panel Mount Flow Centers ..	7
Outdoor Split Pressurized Flow Centers .....	9
NP Series Non-Pressurized Flow Centers.....	3,10
Variable Speed Non-Pressurized Flow Center Kits.....	11
Geo-Prime Hybrid Flow Centers .....	17

## Hose Kits

1" Hose Kits .....	12
--------------------	----

## Fittings

Flo-Link Double O-Ring Fittings .....	14
Threaded Fittings & Adapters.....	15

## Geothermal Accessories

Pressure Battery Expansion Tank.....	17
Geo-Booster .....	17
Geo-Prime Tank .....	17
P/T Plugs .....	17
Variable Speed Pump Controllers.....	17
Flow Center Pump Sharing Relay.....	17
NP Series Connector Kit.....	18
High Density Rubber Unit Mounting Pads.....	19

**Contact Replacement Components for flow center replacement pumps, 3-way valve re-build kits, and other replacement parts for geothermal accessories (see page 28 for parts list).**

## Auxiliary Electric Heaters

Internal Electric Heat.....	20
-----------------------------	----

## Open Loop Accessories

Motorized Valves.....	21
Flow Regulators .....	21
P/T Plugs.....	17

## Fusion and Service Tools

Flush Cart .....	23
Installation/Service Tools.....	24
NP Series Tools .....	25
Fusion Tools.....	26

## Replacement Parts

Replacement Pumps.....	28
Flow Center Valve Repair Kits.....	28
Blank-off Plates.....	28
Flow Center Wiring Kits.....	28
Swivel Fitting Parts .....	28
Var. Spd. Flow Center Replc. Parts.....	28
Outdoor Split Flow Center Kit Replc. Parts .....	29
Energy Tracking Kit .....	29

## Application Notes / Pump Curves

Geothermal Heat Pump Nomenclature/Features .....	30
Application Notes: P/T plug at flow center .....	33
LoopLink® Ground Loop Design Software .....	34
Geothermal Design Calculators .....	35
Pump Curves: UP26-99, UPS26-99, UP26-116 .....	36
Pump Curves: Magna GEO (variable speed).....	37

## Flo-Link & GPM series Pressurized Flow Centers

Residential flow centers are available in a wide variety of combinations. Flo-Link double O-ring style flow centers are unsurpassed in ease of installation. Flo-Link double O-ring fittings provide leak-free union connections at the flow center, installed without tools (no need for pipe wrenches). Virtually any type of transition (fusion, thread, barb, PVC glue, etc.) is available for Flo-Link fittings. The full port 3-way flushing and isolation valves are designed for the wide range of temperatures experienced in ground loop applications.



**Flo-Link series foamed flow center** with high impact polystyrene cabinet (shown with variable speed Grundfos Magna GEO pump): Flo-Link flow centers are available in one pump and two pump configuration with variable speed (UPS32-140) and constant speed (UPS26-99) pump(s).



**Flo-Link™ double O-ring fitting sets** for union/transition to flow center: See Hose Kit/Fitting section for complete assortment of Flo-Link fittings.

Flo-Link flow centers include specially designed volutes, which allow the entire power head to be external to cabinet. This provides additional flexibility for installers and service technicians when a pump head needs to be rotated, or when a single pump flow center needs to be upgraded to a two pump flow center.



**GPM series foamed flow center with ABS plastic cabinet** (shown as GPM-1, single pump--also available as GPM-2)

The GPM series flow centers utilize reliable 3-way valves with the same features and benefits as the Flo-Link valves, but have threaded FPT connections. GPM flow centers are available in one to four pump configurations. The cabinet is designed to allow pump heads to be rotated, or for upgrading/downgrading (i.e. adding/removing a pump).

Field upgradable to two pump flow center

## NP SERIES

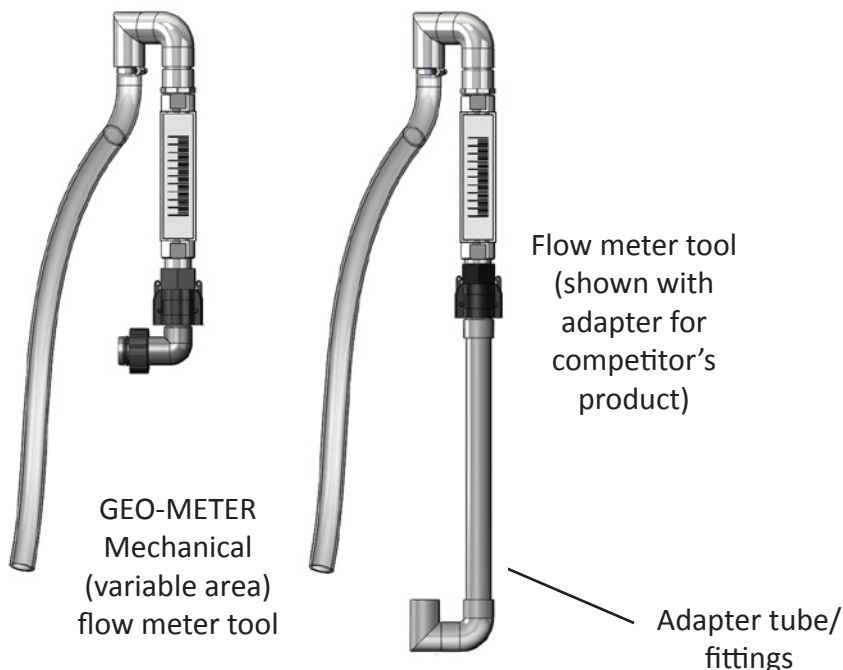
Non-Pressurized  
Flow Center

The NP series non-pressurized flow center raises the bar for non-pressurized applications. Building upon the success of the 3-way flushing valves with Flo-Link connections, the NP series reduces installation time, and increases reliability. In fact, by incorporating flushing valves into the flow center, the ground loop may be flushed without adding external flush ports, saving installation time and additional cost. Plus, piping becomes much simpler. Flo-Link double O-ring include transition fittings for most any application (PE fusion, PVC, threaded, etc.). Top or side connections to the heat pump and ground loop add even more flexibility.

Pump selection for the new NP series is the ultimate in flexibility. The NP series is the first to use the redesigned UPS26-99 Grundfos 3-speed pump. Or, the new variable speed Magna GEO may be selected for even more operating costs savings. Current options are as follows:

- **NP<sup>1</sup>** -- Grundfos UPS26-99 or UP26-116
- **NP<sup>2</sup>** -- Two UPS26-99 (3-speed) or UP26-116 pumps
- **NP<sup>V</sup>** -- Variable speed Magna GEO
- **NP<sup>V2</sup>** -- One Magna GEO and one UPS26-99

The NP series has many installation/service-friendly features. One of the best is the GEO-METER flow tool, shipped with both elbow and straight adapter fittings. For even more flexibility, an adapter is available to use this tool with the competition's flow center, providing a "one tool fits all" solution.



## Geo-Prime Series Hybrid Flow Centers



The Geo-Prime series is a hybrid system with a tank that may be added to a standard pressurized flow center or pump to create a non-pressurized system. In addition to its applicability in a non-pressurized system, the tank can be used as an add-on to traditional pressurized systems. In either case, the Geo-Prime ensures that the pumps receive only air-free loop fluid and provides enough additional make-up fluid to prevent call-backs associated with loop expansion during seasonal temperature changes.

The Geo-Prime Tank consists of a fluid reservoir, two bypass valves and an air-eliminating dip tube inside of a foam-insulated cabinet. The tank includes a sealing cap with integrated pressure and vacuum relief to prevent the reservoir from being over-pressurized or collapsing. The tank is mounted above the suction flange of the pump to ensure a flooded volute and to provide the necessary suction head pressure for the pump.

### Benefits Include:

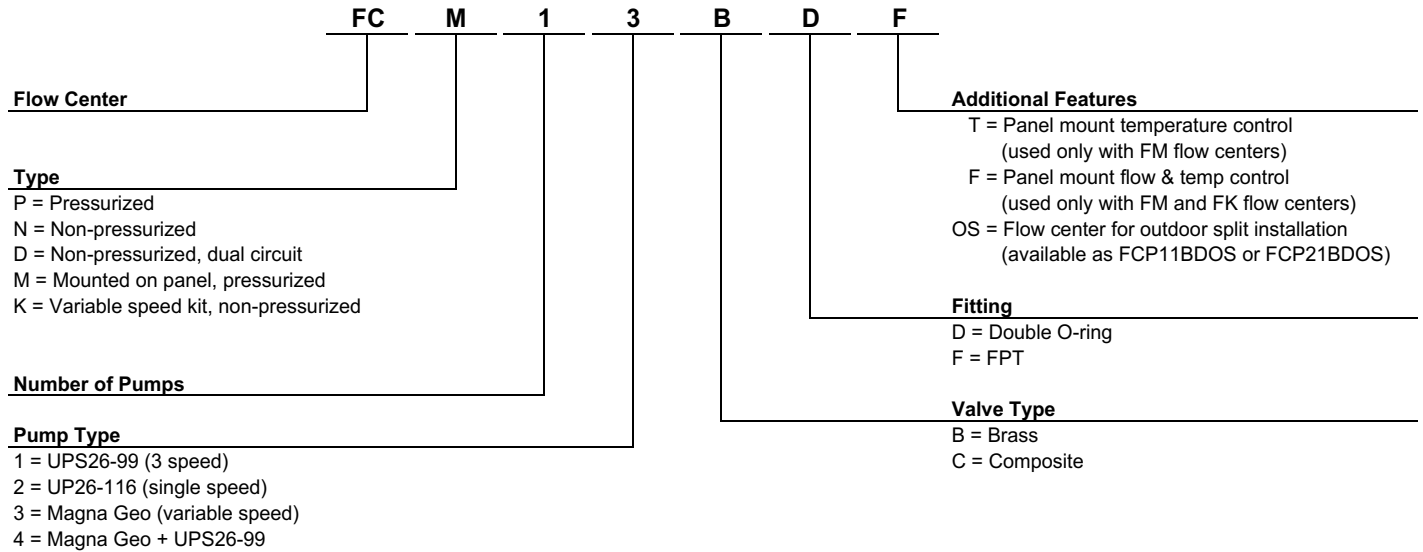
- HDPE construction with fused joints
- Single pass internal air separation
- Integrated pressure/vacuum relief in sealing cap
- Integrated bypass valves to allow ground loop system to be flushed with industry standard flush cart
- Utilizes Flo-Link double O-ring connections for easy installation
- Integrated "sight glass" for fluid level monitoring without removing cap
- Approx. 2.5 gallon fluid capacity
- Foam insulated high impact polystyrene cabinet
- Modular system: may be used with pressurized flow center or insulated pump.



**Typical Application:** Geo-Prime is installed above flow center. An insulated pump may also be used instead of a flow center when 3-way flushing valves are not needed (see picture to the left).

## Flow Center Nomenclature

A wide range of both pressurized and non-pressurized products are available, saving installation time and providing the most reliable solutions for geothermal closed loop systems on the market today. The charts following this page show which model number combinations are available.



**FCP**



**FCM**



**FCN**



**Wiring Harness:** All flow centers include wiring a harness for connecting pumps to heat pump controls.

**NOTE:** Heat pumps with Evolution controls require a second wiring kit (RC part #4129) when connecting to a variable speed flow center.

# Residential Flow Centers

Part Number	Description
	<b>Flo-Link Foamed Cabinet (Double O-ring Connections -- Brass Valves)</b>
<b>FCP11BD</b>	FL1-99 UPS26-99, 3-speed, 230V, Grundfos
<b>FCP12BD</b>	FL1-116 UP26-116, single speed, 230V, Grundfos
FCP13BD	FLV1, UPS32-140 (variable speed), 230V, Grundfos**
<b>FCP21BD</b>	FL2-99 UPS26-99, 3-speed, 230V, Grundfos, Qty 2
<b>FCP22BD</b>	FL2-116 UP26-116, single speed, 230V, Grundfos, Qty 2
FCP24BD	FLV2, one UPS32-140 (variable speed) and one UPS26-99 (3-speed), 230V, Grundfos**
Each unit contains: Mounting hardware and one set of Flo-Link by 1-1/4" fusion fittings (loop side).	
<b>**NOTE: Variable speed flow centers require a controller package (See Accessories section)</b>	
	<b>Flo-Link Foamed Cabinet (Double O-ring Connections -- Composite Valves)</b>
<b>FCP11CD</b>	FL1-99 UPS26-99, 3-speed, 230V Grundfos
<b>FCP21CD</b>	FL2-99 UPS26-99, 3-speed, 230V, Grundfos, Qty 2
Each unit contains: Mounting hardware and one set of Flo-Link by 1-1/4" fusion fittings (loop side).	

## Flo-Link Series (Double O-ring) Pressurized Flow Centers

**IMPORTANT:** For heat pumps with Evolution controls, use wiring kit (RC part # 4129) when connecting to a variable speed flow center.

**NOTE:** Part #s in **BOLD ITALIC** are stocking items



**FCP1**



**FCP2**



**FCP1  
var. speed**



**FCP2  
var. speed**

A controller kit is required for all variable speed flow centers (see Geothermal Accessories), or a **panel mount version is available, which includes all necessary components.**



**Flo-Link double O-ring fitting sets** for union/transition to flow center: See Hose Kit/Fitting section for complete assortment of Flo-Link fittings.



**Pressure Battery**



**Geo-Prime  
Tank**

**Loop Pressurization Accessories:** A Pressure Battery expansion tank or Geo-Prime is recommended for all pressurized systems. See Geothermal Accessories section for loop pressurization options.



# Residential Flow Centers

## Panel Mount Variable Speed Flow Centers

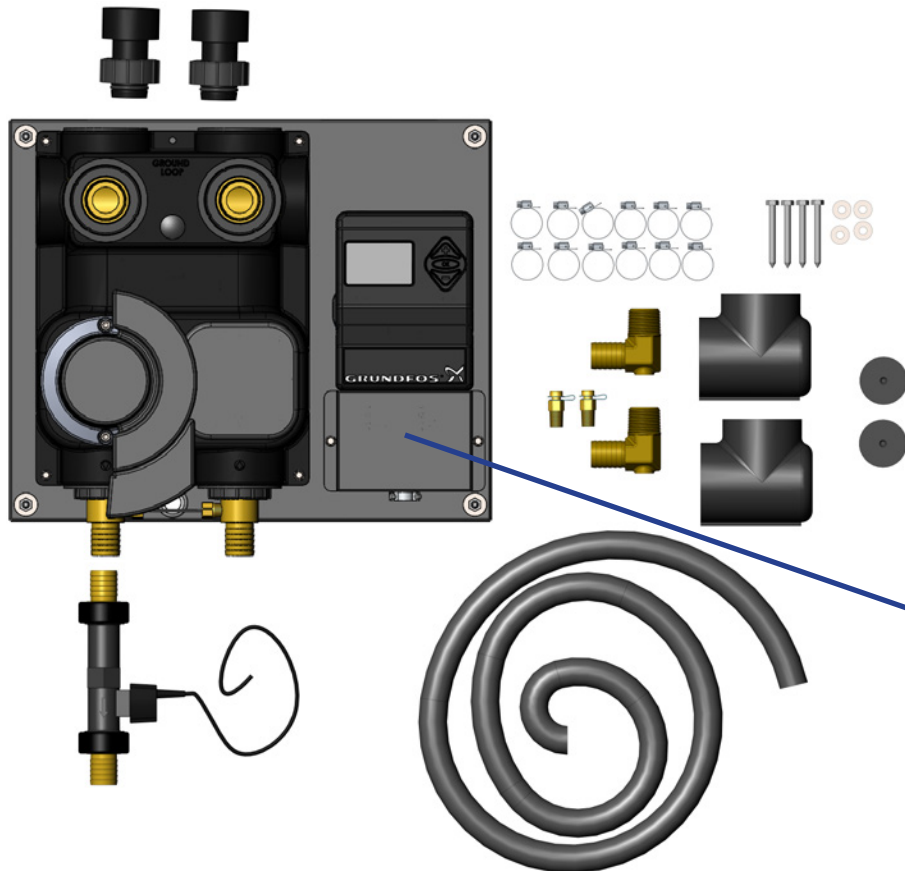
In our ongoing efforts to create products that are easier to install and time-saving, there are several new packages for variable speed pumping options that completely eliminate the need for wiring the controller. The packages listed below include panel-mounted controls with a terminal strip for simply wiring the panel to the heat pump thermostat connections. Note that this option is for heat pumps with 24VAC thermostats.



Part Number	Description		
	Variable Speed Pre-wired Packages (Panel Mounted)		
	Flow Center	Control	Connections
<b><i>FCM13BDT</i></b>	Magna GEO (var. spd.), brass valves	Temperature Difference	Hose kit / PE fusion**
<b><i>FCM13BDF</i></b>	Magna GEO (var. spd.), brass valves	Flow & Temperature Control	Hose kit / PE fusion**
<b><i>FCM24BDT</i></b>	1-Magna GEO + 1-UPS26-99, brass vlvs	Temperature Difference	Hose kit / PE fusion**
<b><i>FCM24BDF</i></b>	1-Magna GEO + 1-UPS26-99, brass vlvs	Flow & Temperature Control	Hose kit / PE fusion**

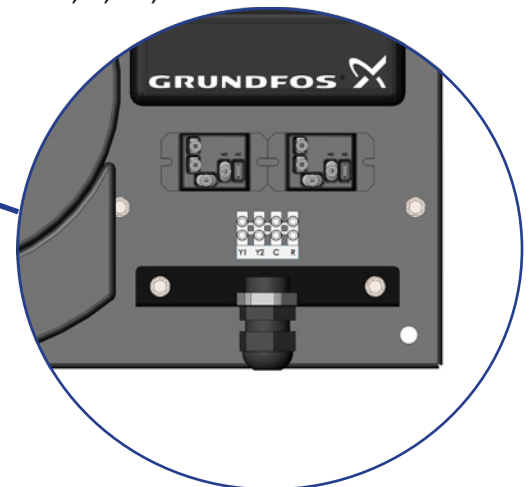
**NOTE: Part #s in *BOLD ITALIC* are stocking items**

\*\*Kit includes all of the fittings necessary for connecting to the ground loop (1-1/4" PE fusion) and to the heat pump (1" MPT).



**IMPORTANT: For heat pumps with Evolution controls, use wiring kit (RC part # 4129) when connecting to a variable speed flow center.**

Terminal strip for connection to heat pump includes terminals R, C, Y1, & Y2.



# Residential Flow Centers

## GPM Series (FPT) Pressurized Flow Centers

Part Number	Description
	<b>GPM-1 with Foamed Cabinet (FPT Connections)</b>
<b>FCP11BF</b>	GPM-1 UPS26-99, 3-speed, 230V, Grundfos
FCP12BF	GPM-1 UP26-116, single speed 230V, Grundfos
Each unit contains: Mounting hardware.	
<b>GPM-2 with Foamed Cabinet (FPT Connections)</b>	
<b>FCP21BF</b>	GPM-2 UPS26-99, 3-speed, 230V, Grundfos, Qty 2
FCP22BF	GPM-2 UP26-116, single speed 230V, Grundfos, Qty 2
Each unit contains: Mounting hardware.	
<b>GPM-3 with Foamed Cabinet (FPT Connections)</b>	
FCP31BF	GPM-3 UPS26-99, 3-speed, 230V, Grundfos, Qty 3
FCP32BF	GPM-3 UP26-116, single speed 230V, Grundfos, Qty 3
Each unit contains: Mounting hardware.	
<b>GPM-4 with Foamed Cabinet (FPT Connections)</b>	
FCP41BF	GPM-4 UPS26-99, 3-speed, 230V, Grundfos, Qty 4
FCP42BF	GPM-4 UP26-116, single speed 230V, Grundfos, Qty 4
Each unit contains: Mounting hardware.	

**NOTE: Part #s in *BOLD ITALIC* are stocking items**



**GPM-1**



**GPM-3**



**GPM-4**



**GPM-2**

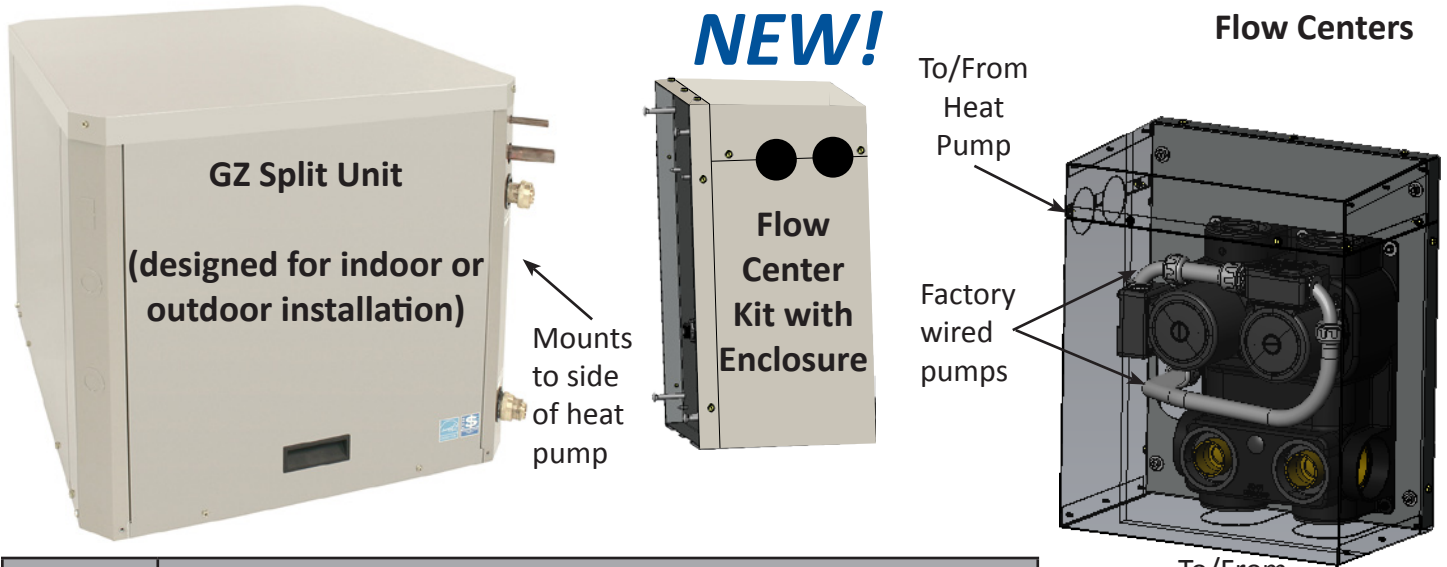


**GPM series** flow centers require 1" MPT adapter fittings. See Hose Kit/Fitting section for complete assortment of fittings.

# Residential Flow Centers

Outdoor split geothermal installations are great for retrofit applications, including Hybrid Heat® systems. The Outdoor flow center kit provides all of the components needed to connect the ground loop to the heat pump.

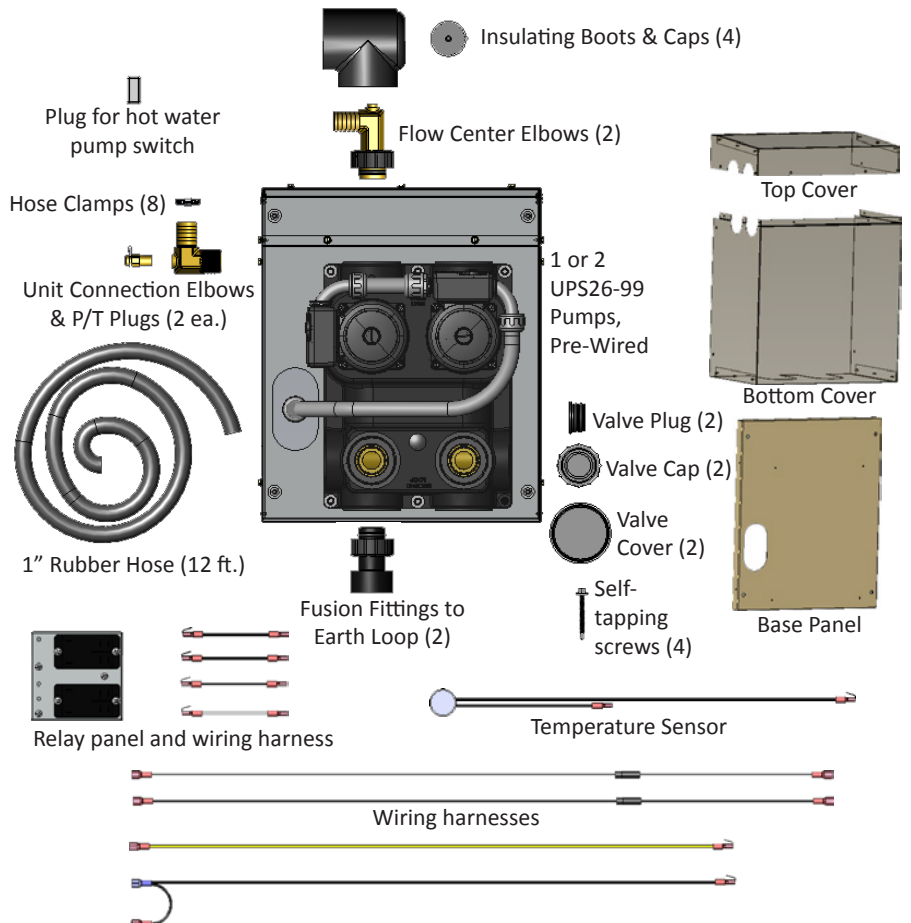
## OS Series (Outdoor Split) Pressurized Flow Centers



Part Number	Description
	<b>Outdoor Split Flow Center Kit</b>
FCP11BDOS	FL1-99 UPS26-99, 3-speed, 230V, Grundfos -- with outdoor enclosure
FCP21BDOS	FL2-99 UPS26-99, 3-speed, 230V, Grundfos, Qty 2 -- with outdoor enclosure
Each unit contains: See illustration, below	

## OS Series (Outdoor Split) Flow Center Kit Components

The outdoor split flow center kit includes a panel-mounted flow center with outdoor enclosure, factory pre-wired. Relay panel/wiring harnesses, heat pump/flow center fittings, ground loop fusion connections, and hardware are included. Simply mount the panel to the side of the heat pump, and connect the relay panel. Built-in controls allow pump operation when the compressor is running and/or when outdoor temperatures fall below the temperature sensor setting.



# Residential Flow Centers

Part Number	Description
	NP <sup>1</sup> with Foamed Cabinet (Flo-Link Double O-Ring Connections)
<b><i>FCN11CD</i></b>	NP <sup>1</sup> UPS26-99, 3-speed, 230V, Grundfos
<b><i>FCN12CD</i></b>	NP <sup>1</sup> UP26-116, single speed, 230V, Grundfos
Requires: Flo-Link adapter sets for all connections or connector kit (see Hose Kit/Fitting section)	
NP <sup>2</sup> with Foamed Cabinet (Flo-Link Double O-Ring Connections)	
<b><i>FCN21CD</i></b>	NP <sup>2</sup> UPS26-99, 3-speed, 230V, Grundfos, Qty 2
<b><i>FCN22CD</i></b>	NP <sup>2</sup> UP26-116, single speed, 230V, Grundfos, Qty 2
Requires: Flo-Link adapter sets for all connections or connector kit (see Hose Kit/Fitting section)	
NP <sup>V</sup> & NP <sup>V2</sup> w/ Foamed Cabinet (Flo-Link Dbl O-Ring Connections)	
<b><i>FCN13CD</i></b>	NP <sup>V</sup> Magna GEO (variable speed), 230V, Grundfos**
<b><i>FCN24CD</i></b>	NP <sup>V2</sup> one Magna GEO (variable spd.) & one UPS26-99 (constant spd.), 230V, Grundfos**
Requires: Flo-Link adapter sets for all connections or connector kit (see Hose Kit/Fitting section)	
<b>**NOTE: Variable speed flow centers require a controller package (See Accessories section)</b>	

**NOTE: Part #s in BOLD ITALIC are stocking items**

A controller kit is required for all variable speed flow centers (see Geothermal Accessories) or a **Flow Center Kit (FCK)** is available, which includes all necessary components.



**IMPORTANT: For heat pumps with Evolution controls, use wiring kit (RC part # 4129) when connecting to a variable speed flow center.**

Also available with Magna GEO variable speed pump



**Flo-Link double O-ring fitting sets** for union/transition to flow center. See Hose Kit/Fitting section for complete assortment of Flo-Link fittings.



**GEO-METER flow meter tool, adapters, and case** (see Tools section)

## NP SERIES Non-Pressurized Flow Center



**NP Series**  
(Two-pump version shown)

# Residential Flow Centers

## Non-Pressurized Variable Speed Flow Centers Kits

In our ongoing efforts to create products that are easier to install and time-saving, there are two new packages for variable speed pumping options that completely eliminate the need for wiring the controller. The packages listed below include variable speed control kits with a terminal strip for simply wiring the panel to the heat pump thermostat connections. Note that this option is for heat pumps with 24VAC thermostats.

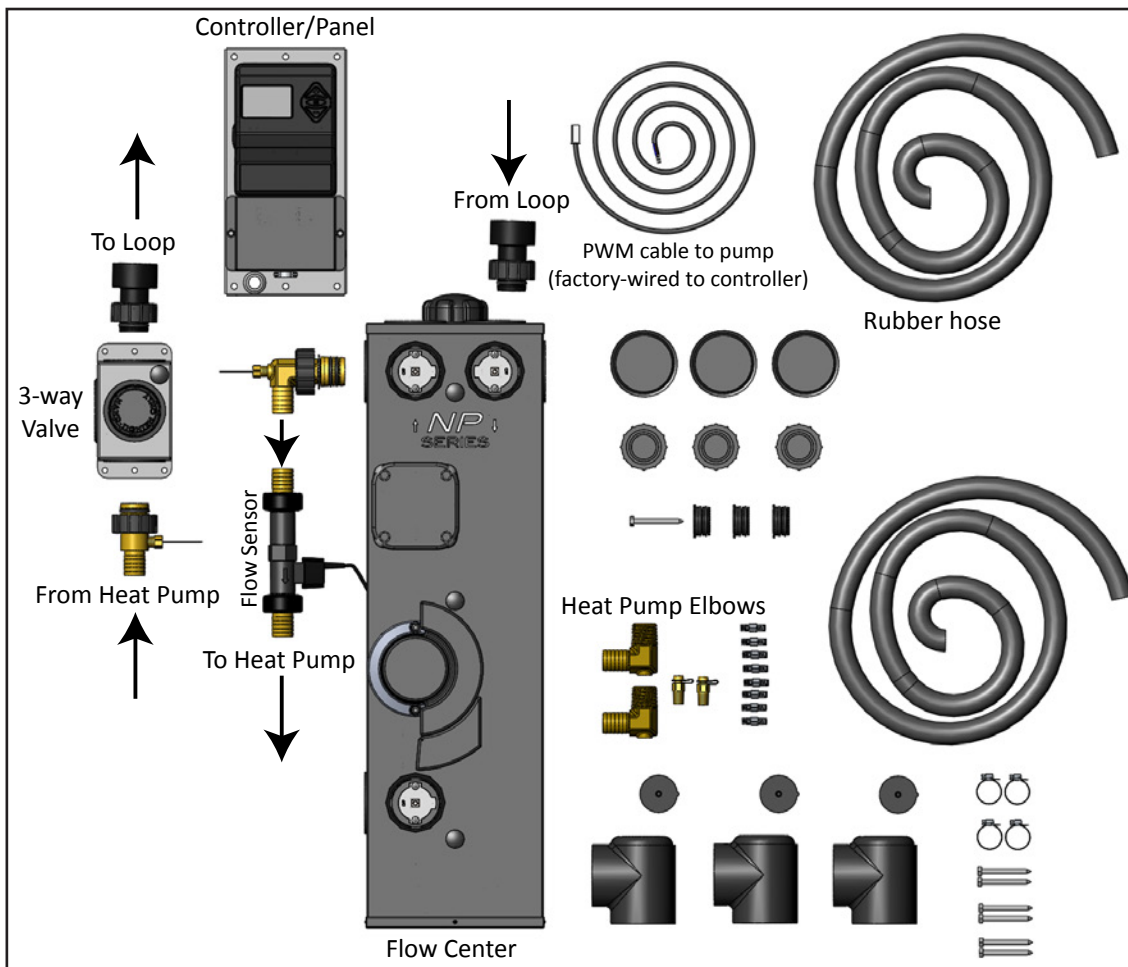


Part Number	Description		
	Variable Speed Pre-wired Packages (Panel Mounted)		
	Flow Center	Control	Connections
<b><i>FCK13BDF</i></b>	Magna GEO (var. spd.), brass valves	Flow & Temperature Control	Hose kit / PE fusion**
<b><i>FCK24BDF</i></b>	1-Magna GEO + 1-UPS26-99, brass vlvs	Flow & Temperature Control	Hose kit / PE fusion**

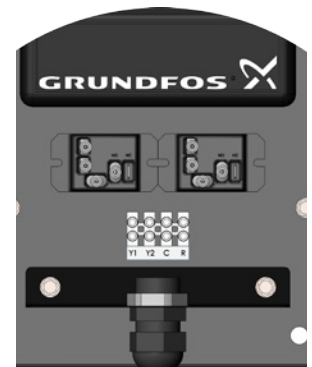
\*\*Kit includes all of the fittings necessary for connecting to the ground loop (1-1/4" PE fusion) and to the heat pump (1" MPT).

### Kit Contents:

**NOTE: Part #s in *BOLD ITALIC* are stocking items**



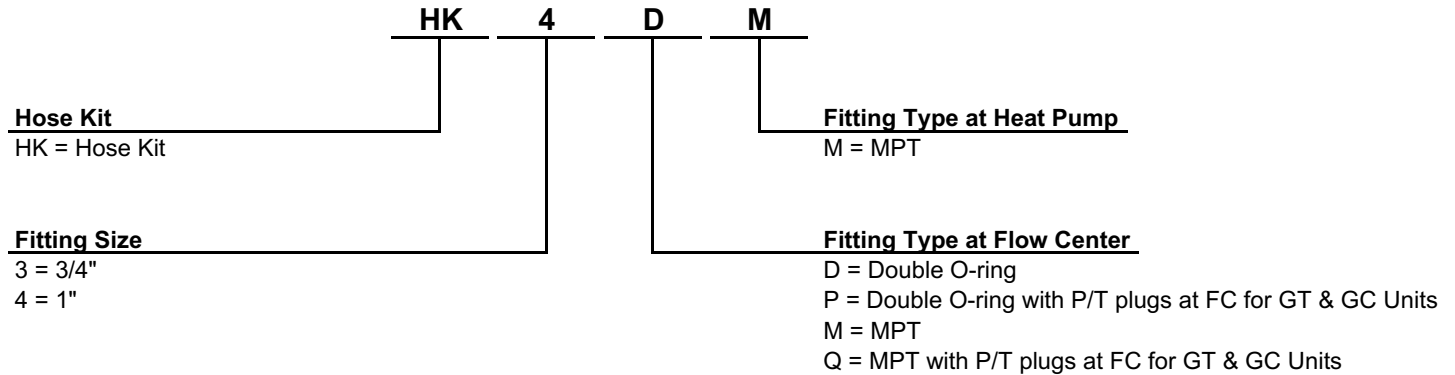
**IMPORTANT: For heat pumps with Evolution controls, use wiring kit (RC part # 4129) when connecting to a variable speed flow center.**



Terminal strip for connection to heat pump includes terminals R, C, ACC, & Y2.

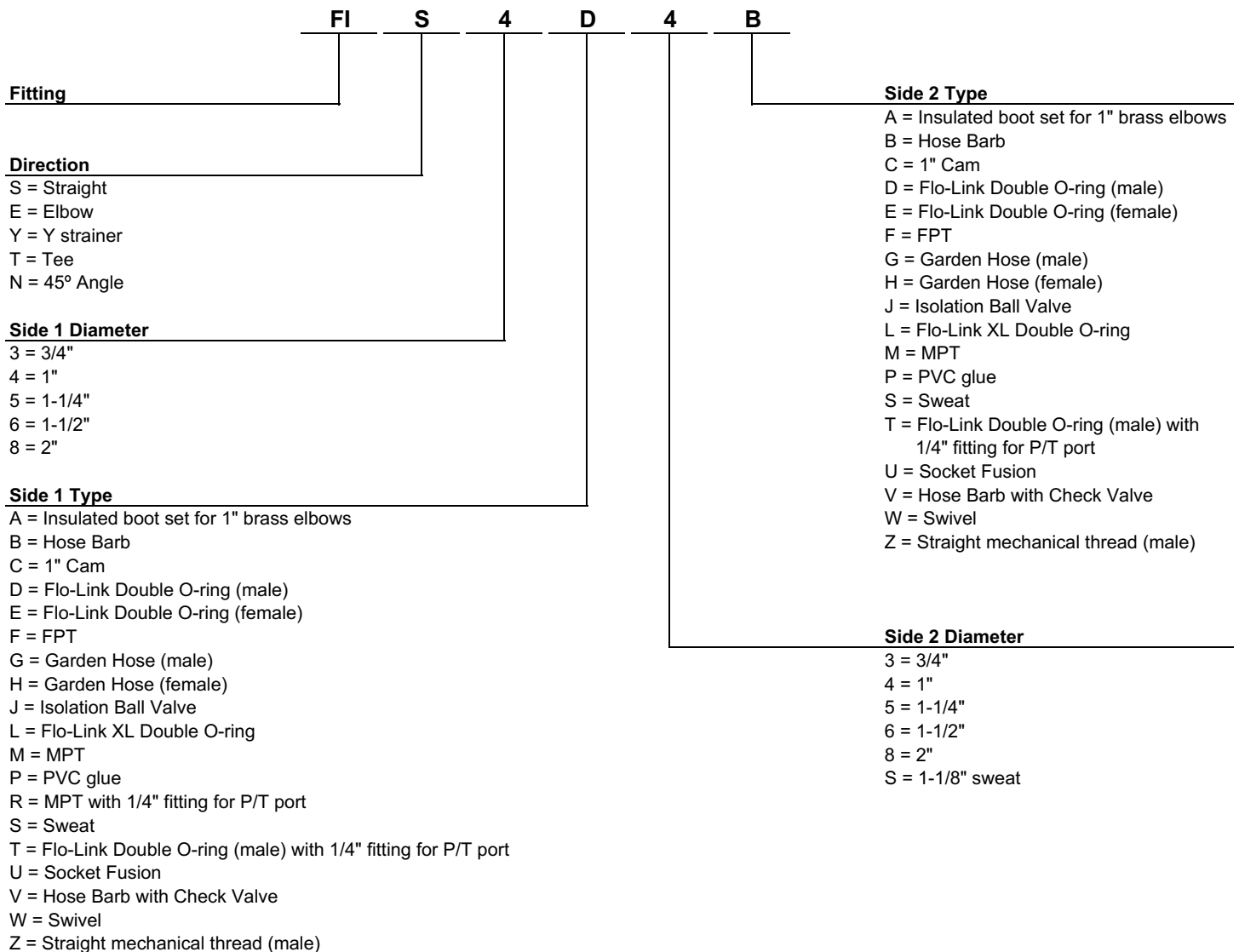
## Hose Kit Nomenclature

Hose kits provide a turn-key solution for connecting the geothermal heat pump to the flow center. They even include insulating boots for the elbow at the heat pump to help prevent condensation, and to lessen installation time.



# Fittings

## Fitting Nomenclature



# Hose Kits

## Hose Kits with P/T Plugs at Heat Pump

HK4DM



HK4MM



Part Number	Description
	<b>1" Hose Kit (Flo-Link Dbl O-ring @ Flow Cntr; MPT @ Heat Pump)</b>
<b><i>HK4DM</i></b>	Hose kit contents: <ul style="list-style-type: none"> <li>Qty 1: 10 ft. 1" ID black hose</li> <li>Qty 2: Insulating boot</li> <li>Qty 2: Insulating boot caps</li> <li>Qty 2: PT plug, 1/4" MPT</li> <li>Qty 2: Fitting, Flo-Link x 1" hose barb (flow center)</li> <li>Qty 2: Elbow, 1" MPT x 1" hose barb w/PT port (heat pump)</li> <li>Qty 8: Hose clamps</li> </ul>
	<b>1" Hose Kit (MPT @ Flow Center &amp; Heat Pump)</b>
<b><i>HK4MM</i></b>	Hose kit contents: <ul style="list-style-type: none"> <li>Qty 1: 10 ft. 1" ID black hose</li> <li>Qty 2: Insulating boot</li> <li>Qty 2: Insulating boot caps</li> <li>Qty 2: PT plug, 1/4" MPT</li> <li>Qty 2: Fitting, 1" MPT x 1" hose barb (flow center)</li> <li>Qty 2: Elbow, 1" MPT x 1" hose barb w/PT port (heat pump)</li> <li>Qty 8: Hose clamps</li> </ul>

NOTE: Part #s in **BOLD ITALIC** are stocking items

## Hose Kits with P/T Plugs at Flow Center (see page 31 for pressure drop chart)

HK4PM



HK4QM



Part Number	Description
	<b>1" Hose Kit (Flo-Link Dbl O-ring @ Flow Cntr; MPT @ Heat Pump)</b>
<b><i>HK4PM</i></b>	Hose kit contents: <ul style="list-style-type: none"> <li>Qty 1: 10 ft. 1" ID black hose</li> <li>Qty 2: Insulating boot</li> <li>Qty 2: Insulating boot caps</li> <li>Qty 2: PT plug, 1/4" MPT (at flow center -- see page 31)</li> <li>Qty 2: 1/4" MPT plug (at heat pump)</li> <li>Qty 2: Fitting, Flo-Link x 1" hose barb w/PT port (flow center)</li> <li>Qty 2: Elbow, 1" MPT x 1" hose barb w/PT port (heat pump)</li> <li>Qty 8: Hose clamps</li> </ul>
	<b>1" Hose Kit (MPT @ Flow Center &amp; Heat Pump)</b>
<b><i>HK4QM</i></b>	Hose kit contents: <ul style="list-style-type: none"> <li>Qty 1: 10 ft. 1" ID black hose</li> <li>Qty 2: Insulating boot</li> <li>Qty 2: Insulating boot caps</li> <li>Qty 2: PT plug, 1/4" MPT (at flow center -- see page 31)</li> <li>Qty 2: 1/4" MPT plug (at heat pump)</li> <li>Qty 2: Fitting, 1" MPT x 1" hose barb w/PT port (flow center)</li> <li>Qty 2: Elbow, 1" MPT x 1" hose barb w/PT port (heat pump)</li> <li>Qty 8: Hose clamps</li> </ul>

NOTE: Part #s in **BOLD ITALIC** are stocking items

# Fittings

Flo-Link double O-ring fittings are the geothermal industry's best transition/union fittings for connections to flow centers and heat pumps. The Flo-Link design provides a leak-free connection without the use of thread sealant, and saves installation time. All part numbers shown are for the set.

**NOTE: Part #s in *BOLD ITALIC* are stocking items**

## PE and PVC Adapters



## Brass Adapters - Hose Barb



## Brass Adapters - Threaded



## Brass Adapters with Fitting for PT Port



## Installation/Service Adapters





# Fittings

## Threaded Fittings, Adapters, and Other Fitting Components

**NOTE: Part #s in *BOLD ITALIC* are stocking items**

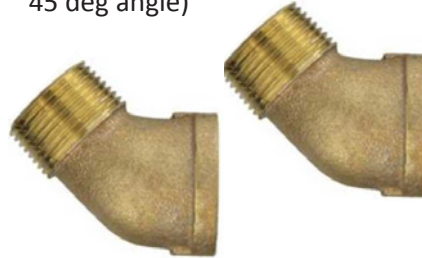
**FIE4M4B** (ea.): 1" MPT Elbow x 1" Hose Barb w/ fitting for PT Port



**FIS5U4M** (ea.): 1" MPT x 1-1/4" socket fusion (use for GPM series threaded flow centers)



**FIN4M4F** (set): 1" MPT x 1" FPT 45 deg. Elbow (use with hose kit for heat pumps with fittings on 45 deg angle)



**FIS4M4B** and **FIS4M5B** (ea.): 1" MPT x 1" Hose Barb (4B) and 1" MPT x 1-1/4" Hose Barb (5B)



**FIS4R4B** (ea.): 1" MPT x 1" Hose Barb with 1/4" fitting for P/T port



**FIE4M4F** (set): 1" MPT x " FPT Elbow with P/T plugs (typically used for open loop systems)



**FIE4A4A** (set): Insulating boot set for 1" elbows



**FIS4Z4W**: Water Heater Adapters (use ASME rated water heater as buffer tank)



**FIS4M4C** (each): 1" MPT X 1" CAM, Aluminum



**Dual Unit Connection Kit** (Connect 2 heat pumps to 1 flow center)



**FIT4D4E** (set): Flo-Link double O-ring connections at flow center. Use H4KDM or HK4PM hose kit for heat pump connections or Flo-Link adapters if hard piping.

## Accessory Nomenclature

Accessories include connection kits, pump controllers, and other items to add to the ease of installation for geothermal systems.

Accessory	AC	PB	Type
			PB = Pressure Battery GB = Geo-Booster GP = Geo-Prime PTP1 = 1/4" P/T plug PTP2 = 1/2" P/T plug VCT = Var. Spd. Controller for Magna GEO, temperature VCFHB = Var. Spd. Controller for Magna GEO, flow & temp (hose barb) VCFPVC = Var. Spd. Controller for Magna GEO, flow & temp (PVC) CK4MM = 1" connector kit--MPT at heat pump & flow center (hose kit fittings w/o hose) CK4DM = 1" connector kit--MPT at heat pump/DbI O-ring @ flow cntr (hose kit fittings w/o hose) CKNP = NP series connector kit with hose PSRN = Pump sharing relay, NEMA enclosure MP2436 = Unit mounting base pad, 3/4" rubber, 24x36" MP2836 = Unit mounting base pad, 3/4" rubber, 28x36" RH50 = Rubber hose, 1" diameter, 50' length

# Geothermal Accessories



**Pressure Battery  
Expansion Tank**



**Geo-Booster**



**Geo-Prime**



**Pump Sharing Relay  
(Two heat pumps with  
one flow center)  
ACPSRN**

Part Number	Description
	<b>Loop Pressurization</b>
<b>ACPB</b>	Pressure Battery (polyethylene expansion tank) -- up to 6 tons
<b>ACGB</b>	Geo-Booster (loop pressurization system -- 35 psig)
<b>ACGP</b>	Geo-Prime Tank*
*Use with Flo-Link flow centers or insulated pumps. May also be used with GPM flow centers with Flo-Link female x 1" MPT adapter (see Fittings section).	
<b>Pressure/Temperature Plugs</b>	
<b>ACPTP1</b>	1/4" P/T Plug (each)
<b>ACPTP2</b>	1/2" P/T Plug (each)
<b>Controllers for Variable Speed Flow Centers</b>	
<b>ACVCT</b>	Grundfos Magna GEO Controller (for NPV & NPV2) -- Temperature Control (hose kit or PVC connections -- 1/4" MPT immersion thermistors included)
<b>ACVCFHB</b>	Grundfos Magna GEO Controller (for NPV & NPV2) -- Temperature and Flow Control for hose kit connections
<b>ACVCFPVC</b>	Grundfos Magna GEO Controller (for NPV & NPV2) -- Temperature and Flow Control for PVC connections
<b>Two Heat Pump Flow Center Sharing Control</b>	
<b>ACPSRN</b>	Pump sharing relay (2 units; 1 flow center) w/NEMA encl.
<b>Additional Rubber Hose Lengths</b>	
<b>ACRH50</b>	1" ID Black 150 psi hose, 50 ft. length

**NOTE: Part #s in *BOLD ITALIC* are stocking items**



**ACPTP1**

**ACPTP2**

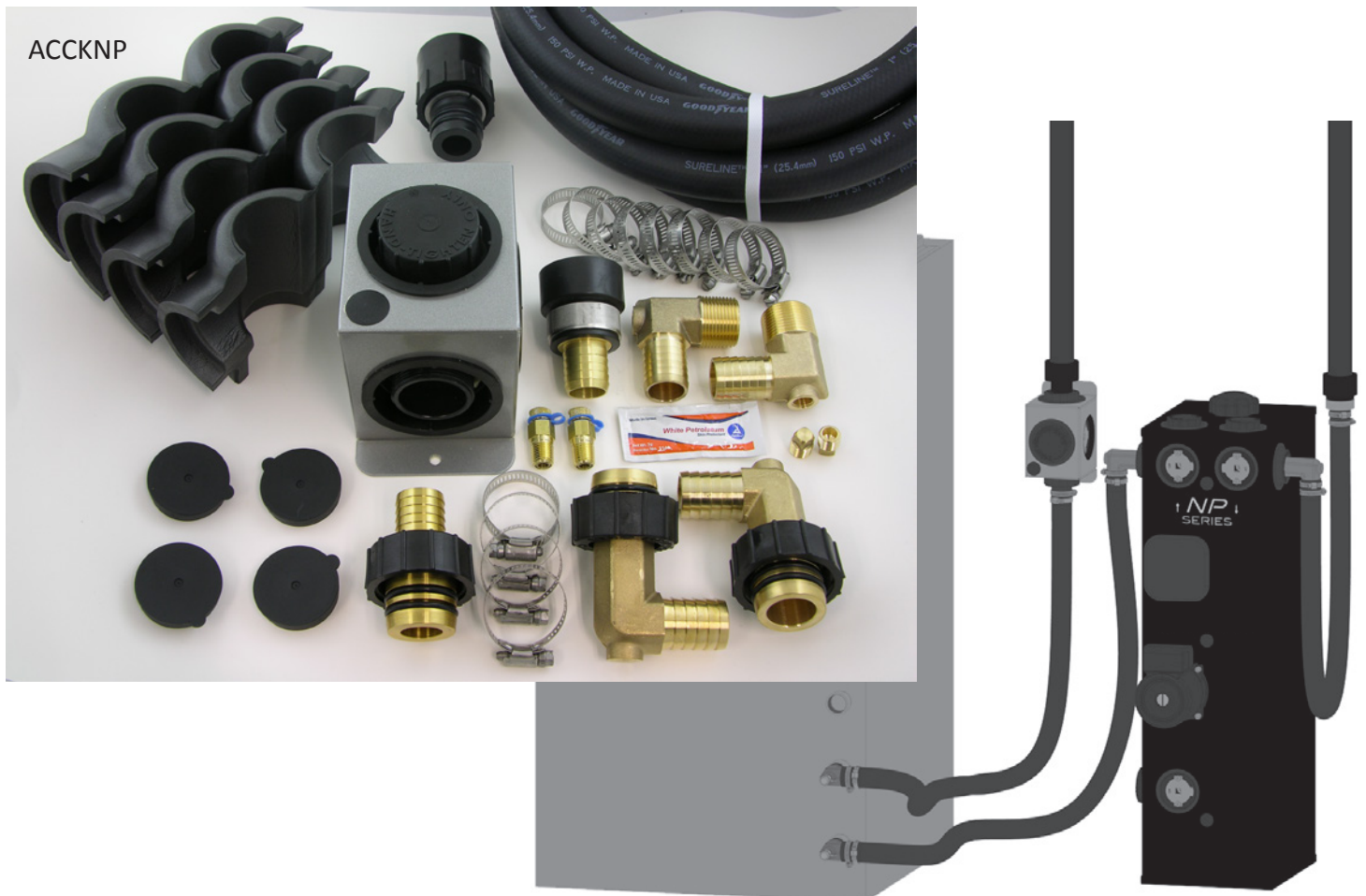
**IMPORTANT: For heat pumps with Evolution controls, use wiring kit (RC part # 4129) when connecting to a variable speed flow center.**



**Variable Speed Pump Controller  
(ACVCFHB shown)**

Part Number	Description
<b><i>ACCKNP</i></b>	<p>Hose kit contents:</p> <ul style="list-style-type: none"> <li>• Qty 1: 10 ft. 1" ID black hose. 150 psi</li> <li>• Qty 4: Insulating boot</li> <li>• Qty 2: Elbow, 1" MPT x 1" hose barb w/PT port (heat pump connection)</li> <li>• Qty 2: PT plug, 1/4" MPT</li> <li>• Qty 2: Elbow with 1/4" plugs, Flo-Link x 1" hose barb (flow center connection)</li> <li>• Qty 1: 3-way Valve, Single, Composite, Flo-Link fittings</li> <li>• Qty 1: 1-1/4" PE fusion x Flo-Link (3-way Valve connection to ground loop)</li> <li>• Qty 1: Flo-Link x 1" hose barb (3-way Valve connection to heat pump)</li> <li>• Qty 1: 1-1/4" PE fusion x 1" hose barb (ground loop connection to hose at flow center, RH side)</li> <li>• Qty 12: Hose clamps</li> </ul> <p>Compatible with NP series flow centers and heat pumps with 1" FPT connections.</p>

**NOTE:** Part #s in ***BOLD ITALIC*** are stocking items



The vast majority of geothermal systems are installed indoors, which makes vibration and sound isolation important. Standard condenser pads are not designed for indoor packaged equipment. ACMP pads are made of high density SBR recycled rubber, which provides a high degree of vibration and sound absorption for compressor-bearing units installed indoors.

Part Number	Description
	Unit Mounting Pad
<b><i>ACMP2436</i></b>	3/4" high density rubber equipment pad, 24" x 36"
<b><i>ACMP2836</i></b>	3/4" high density rubber equipment pad, 28" x 36"

**NOTE: Part #s in *BOLD ITALIC* are stocking items**

Size	Mounting Pad Used by Model				
	GT/GC Vertical	GP Vertical	GB Vertical	GS/GZ	GW
018	N/A	N/A	ACMP2436	N/A	N/A
024	ACMP2436	ACMP2436	ACMP2436	ACMP2436	ACMP2436
030	N/A	N/A	ACMP2436	N/A	N/A
036	ACMP2836	ACMP2436	ACMP2436	ACMP2436	ACMP2436
042	N/A	N/A	ACMP2836	N/A	N/A
048	ACMP2836	ACMP2436	ACMP2836	ACMP2436	ACMP2436
060	ACMP2836	ACMP2836	ACMP2836	ACMP2836	ACMP2436
072	ACMP2836	ACMP2836	ACMP2836	ACMP2836	ACMP2436

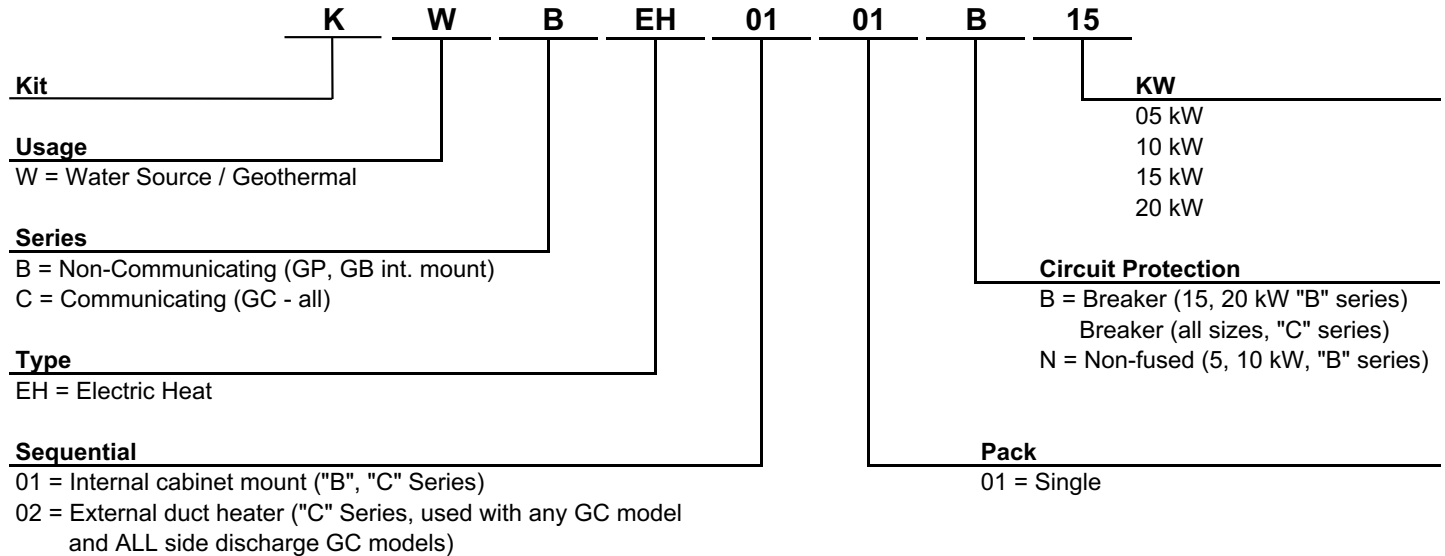
**Equipment Pad Features:**

- Absorbs low frequency sound/vibration (particularly suited for compressors)
- Environmentally friendly recycled material (SBR bonded black recycled rubber)
- High density (60 lbs/cu. ft.)
- Anti-skid texture
- Non-porous, both sides
- Rated for packaged unit weight (very little compression)
- May be trimmed as needed
- Individually boxed



## Auxiliary Heater Nomenclature

The KW series heater package is a field installable electric resistance heater kit designed for the GC, GP, and GB series heat pumps. The KW series heater package requires separate electrical service connection, independent from the heat pump's power supply. Installation of this heater package will convert the heat pump into a two point power connection. The heater package is available in four capacities, 5, 10, 15, and 20 kW. Unit tonnage vs. heater package capacity compatibility is shown in the table below.



Heater Series	GHP Model	Aux. Heat Size Compatibility				
		5 kW	10 kW	15 kW	20 kW	
Series "B" Internal Mount	GP024	●	●	-	-	
	GP036	●	●	-	-	
	GP048	●	●	●	-	
	GP060	●	●	●	●	
	GP072	●	●	●	●	
	GB018	●	-	-	-	
	GB024	●	●	-	-	
	GB030	●	●	-	-	
Series "C" Internal Mount	GC024	●	●	-	-	
	GC036	●	●	●	-	
	GC048	●	●	●	●	
	GC060	●	●	●	●	
	GC072	●	●	●	●	
	Series "C" Duct Mount	GC024	●	●	-	-
		GC036	●	●	●	-
		GC048	-	●	●	-
GC060		-	-	●	●	
GC072		-	-	●	●	

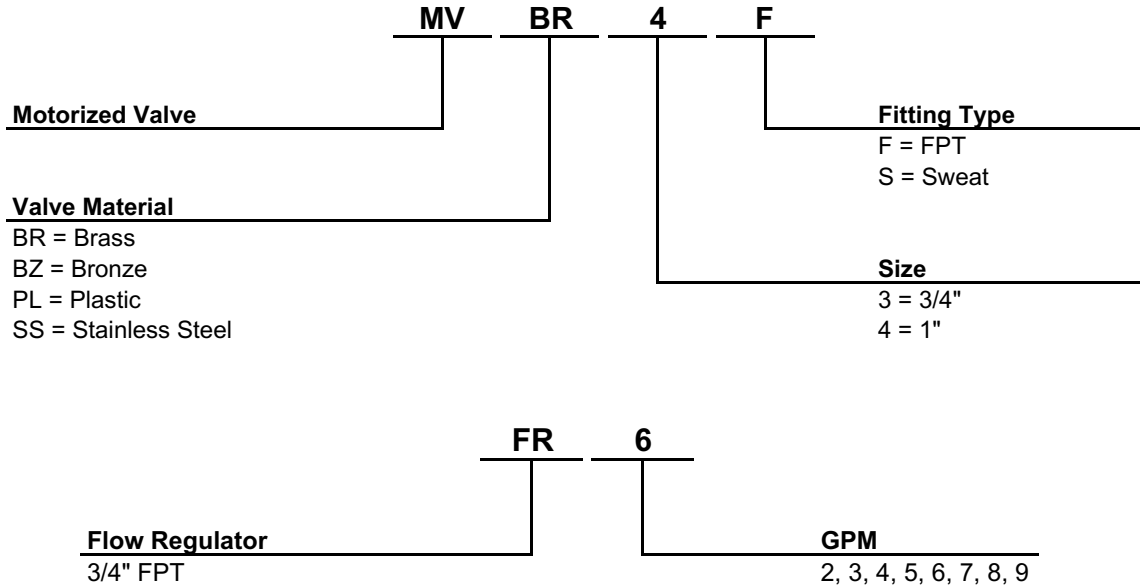
### Notes:

1. Side discharge GP and GB models require externally-mounted duct heaters (supplied by others).
2. Series "C" heaters are used with GC Infinity/Evolution models only.
3. Side discharge GC models require "C" series duct mounted heaters.

● = Heater Kit compatible  
-- = Heater Kit NOT compatible

## Open Loop Accessory Nomenclature

Solenoid valves and flow restrictors are essential for open loop systems to shut off the water when the heat pump is not running and to maintain proper water flow without wasting water.



MVBR3F & MVBR4F



FR2 through FR9



Part Number	Description
	<b>Motorized Solenoid Valves</b>
<b><i>MVBR3F</i></b>	Valve, motorized solenoid, forged brass 3/4" FPT, 24V w/end sw
<b><i>MVBR4F</i></b>	Valve, motorized solenoid, forged brass 1" FPT, 24V w/end sw
<b>Flow Regulator Valves</b>	
<b>FR2</b>	Valve, flow regulator, 3/4" FPT x 3/4" FPT, 2 GPM
<b><i>FR3</i></b>	Valve, flow regulator, 3/4" FPT x 3/4" FPT, 3 GPM
<b><i>FR4</i></b>	Valve, flow regulator, 3/4" FPT x 3/4" FPT, 4 GPM
<b><i>FR5</i></b>	Valve, flow regulator, 3/4" FPT x 3/4" FPT, 5 GPM
<b><i>FR6</i></b>	Valve, flow regulator, 3/4" FPT x 3/4" FPT, 6 GPM
<b><i>FR7</i></b>	Valve, flow regulator, 3/4" FPT x 3/4" FPT, 7 GPM
<b><i>FR8</i></b>	Valve, flow regulator, 3/4" FPT x 3/4" FPT, 8 GPM
<b><i>FR9</i></b>	Valve, flow regulator, 3/4" FPT x 3/4" FPT, 9 GPM

**NOTE: Part #s in *BOLD ITALIC* are stocking items**

## Fusion and Service Tool Nomenclature

There are a number of specialized tools needed for proper geothermal system installation. Bryant offers a full range of fusion equipment, flush carts, and service jobs to get the job done right the first time.

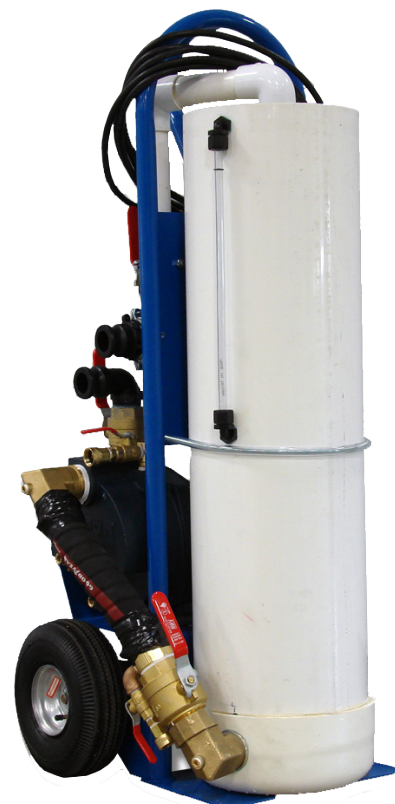


### Type

HFD = Heat fusion tool double face  
 FKT = Complete fusion kit  
 SF3 = 3/4" socket face  
 SF4 = 1" socket face  
 SF5 = 1-1/4" socket face  
 SF6 = 1-1/2" socket face  
 SF8 = 2" socket face  
 CR3 = 3/4" cold ring  
 CR4 = 1" cold ring  
 CR5 = 1-1/4" cold ring  
 CR6 = 1-1/2" cold ring  
 CR8 = 2" cold ring  
 DG3 = 3/4" depth gauge / chamfer tool  
 DG4 = 1" depth gauge / chamfer tool  
 DG5 = 1-1/4" depth gauge / chamfer tool  
 DG6 = 1-1/2" depth gauge / chamfer tool  
 DG8 = 2" depth gauge / chamfer tool  
 FHO = Fitting holder  
 FTI = Fusion timer  
 TS5 = Temp stick 500 deg.  
 MBR = Mounting bracket

### Type

FHB = Heater bag  
 PC4 = Pipe cutter 1"  
 PC5 = Pipe cutter, ratchet, 1-1/2"  
 PC8 = Pipe cutter, ratchet, 2"  
 GGO = Geo-Goosier  
 FLK = Flush kit  
 DTH = Digital thermometer  
 PG1 = Pressure gauge, 100 psi  
 GAD = Gauge adapter  
 HYD = Hydrometer (alcohols)  
 MFI = Magnetic field indicator  
 FLC = Flush Cart  
 FLC2 = Flush Cart with 1-1/4" ball valves on hose assy  
 FLH1 = Flush cart hose assy set, 10 ft., 1" CAM ftgs (loop side)  
 FLH2 = Flush cart hose assy set, 10 ft., 1" CAM ftgs (loop side),  
 1-1/4" ball valves included with hoses  
 FLH3 = Flush cart hose assy set, 20 ft., 1-1/2" CAM ftgs (loop side)  
 FB100 = Flush cart filter, 100 micron  
 FB001 = Flush cart filter, 1 micron  
 NPFMT = NP series flow meter tool  
 NPBDA = Flow meter tool, B & D adapter





The professional's choice to purge air and flush debris from residential and light commercial geothermal ground loops, this premium Flush Cart includes all the important features required to safely flush and purge the loop including power flushing, power draining, pump and dump, and debris filtering. Its compact design utilizes standard components which allows for easy field service. The 1.5 HP self-priming 115V pump is mounted above the cart's axle, providing a well balanced system that is easy to maneuver.



Part Number	Description	
	Flush Cart & Accessories	
TLFLC2	Flush cart*	
TLFLH1	Hose assy, flush cart (set of 2, 10 ft.)--1" CAM ftgs (loop side)	
TLFLH2	Hose assy, flush cart (set of 2, 10 ft.)--w/ 1-1/4" ball valves	
TLFFLH3	Hose assembly (set of 2, 20 ft.)--1-1/2" CAM ftgs (loop side)**	
TLFB100	Filter bag, 100 micron, for flush cart	(Each)
TLFB001	Filter bag, One (1) micron, for flush cart	(Each)



TLFB001/  
TLFB100



\*Ships with hose set with 1-1/4" ball valves

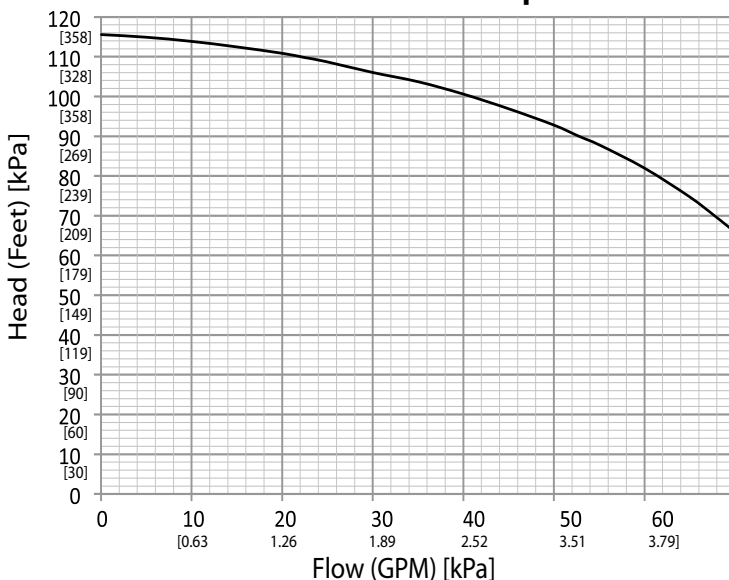
\*\*Ships with 2 - CAM male x male adapters. May be used as an extension set or with Flo-Link XL flow centers.

### Features:

- **ETL Safety Listing (Listed to UL Standard 778)**
- Tank: 10" Diameter, 13 gallon capacity
- Hand Truck: P-Handle, powder-coated steel
- Tires: 10" Pneumatic
- Wiring: 20' 12/3 SJO cord with 15 Amp male plug
- Power Switch: Weatherproof switch box with 20 Amp GFCI protected switch
- Filter: Removable/reusable, 5.5" Dia X 31" long, 100 micron, 90 GPM max.
- Power Flush Valve: Brass, 2" Full port
- Dead-Head Valve: Brass, 1.5" Full port
- Hose connections: 1.5" CAM male quick-connect
- Power Drain Valve: Brass, 1/2" Full port with garden hose swivel connection
- Pump & Dump Valve: Brass, 1/2" Full port with garden hose swivel connection
- Fill Valve: Brass, 1/2" Full port with garden hose swivel connection
- Pump Case Drain Port Valves: (2) 1/4", Brass
- PT Port: Located on discharge side of pump; allows pressure measurement
- Pump/Tank Connection: 2" flexible wire-reinforced hose
- Sight tube: Flexible with O-ring; allows fluid level monitoring during dead-head
- Hoses: (2) 1.5" ID, Flexible PVC hose with rigid PVC helix with 1.5" CAM female quick connect fittings (pump side) and 1" CAM fittings (loop side)



### Flush Cart Munro Pump Curve



Part Number	Description
	Loop Tools & Accessories
<b><i>TLGGO</i></b>	Geo-Gooser loop pressurization device
<b><i>TLDTH</i></b>	Thermometer, digital w/case
<b><i>TLPG1</i></b>	Pressure gauge, 0-100 psig, 3.5" dial w/PT adapter
TLGAD	Gauge adapter P/T plug w/guard
TLHYD	Hydrometer, alcohols
TLMFI	AC Magnetic Field Indicator (check pump operation)
<b><i>TLFLK</i></b>	Loop Service and Flush Kit

Contact Replacement Components for flow center replacement pumps, 3-way valve re-build kits, and other replacement parts for geothermal accessories (see page 28 for parts list).

NOTE: Part #s in **BOLD ITALIC** are stocking items



TLGGO

TLFLK



TLDTH



TLPG1



TLGAD



TLHYD



TLMFI

Part Number	Description
	<b>GEO-METER Flow Meter Tool</b>
<b><i>TLNPFMT</i></b>	Mechanical (variable area) flow meter tool
<b><i>TLNPBDA</i></b>	Adapter kit for B & D flow meter tool (allows B & D tool to be used with NP series flow centers)
Flow meter tool 3762 contains: Tool with fittings, 90° cam x Dbl O-ring adapter, straight cam x Dbl O-ring adapter, B & D adapter, and carrying case.	

**NOTE: Part #s in *BOLD ITALIC* are stocking items**

TLNPBDA: Adapter kit for B & D flow meter tool



TLNPFMT: Flow meter tool (shown in and out of case)



Flow meter tool shown in use



TLHFD



TLFKT



Socket Face Set

Cold Ring Vise Grip Clamp



Depth Gauge/Chamfer Tool



Part Number	Description
	Fusion Tools
TLHFD	Heat fusion tool - double face
TLFKT	Fusion tool kit 3/4", 1-1/4", & 2" -- includes: <ul style="list-style-type: none"> <li>• Complete fusion tool set (3/4", 1-1/4" &amp; 2")</li> <li>• Heating tool w/cover, socket faces, cold rings, 1-1/4" &amp; 2" chamfer tools, tool box</li> <li>• Timer, temple sticks, up to 2" ratchet cutter</li> </ul>
Socket Faces	
TLSF3	3/4" IPS socket face set
TLSF4	1" IPS socket face set
TLSF5	1-1/4" IPS socket face set
TLSF6	1-1/2" IPS socket face set
TLSF8	2" IPS socket face set
Cold Rings Vise Grip Clamp	
TLCR3	3/4" IPS cold ring Vise Grip clamp
TLCR4	1" IPS cold ring Vise Grip clamp
TLCR5	1-1/4" IPS cold ring Vise Grip clamp
TLCR6	1-1/2" IPS cold ring Vise Grip clamp
TLCR8	2" IPS cold ring Vise Grip clamp
Depth Gauge/Chamfer Tool	
TLDG3	3/4" IPS depth gauge/chamfer tool
TLDG4	1" IPS depth gauge/chamfer tool
TLDG5	1-1/4" IPS depth gauge/chamfer tool
TLDG6	1-1/2" IPS depth gauge/chamfer tool
TLDG8	2" IPS depth gauge/chamfer tool
**	Replacement blade for all depth gauge/chamfer tools**

\*\*Available through Replacement Components

FLFHO



TLFTI



TLTS5



TLMBR



TLFHB



TLPC4



TLPC5



Part Number	Description
	Fusion Tools
TLFHO	Fitting holder - 2" IPS
TLFTI	Fusion timer
TLTS5	Temp stick - PE, 500°F
TLMBR	Mounting bracket for fusion tool
TLFHB	Fusion tool heater bag
Pipe Cutters	
TLPC4	PE cutter - up to 1"
**	Replacement blade for TPC4
TLPC5	PE ratchet cutter - up to 1-1/4"
**	Replacement blade for TPC5
TLPC8	PE ratchet cutter - up to 2"
**	Replacement blade for TPC8

\*\*Available through Replacement Components

# Replacement Parts



Replacement pump head -- "NV" (no volute) part numbers\*



9428/9405/9104\*



9024



9424



3518



2938



3479/3480



3341



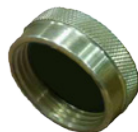
Gasket in 4026 (pack of 10)



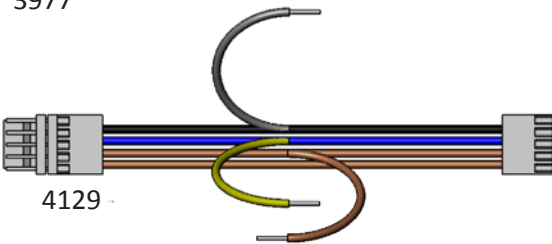
Spiral Ring in 4282 (pack of 10)



3977



Swivel Nut in 4283 (pack of 4)



4129



3683



3986



3728



3699



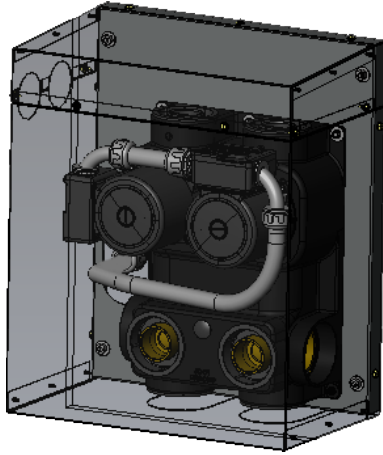
3685

Contact Replacement Components for flow center replacement pumps, 3-way valve re-build kits, and other replacement parts for geothermal accessories.

Part Number	Description
	<b>Replacement Pumps - Flow Centers</b>
9425NV	UPS26-99 (3-speed), 230V Grundfos pump, no volute*
9428	UPS26-99F (3-spd), 230V Grundfos pump, cast iron volute
9405NV	UP26-116 (single speed), 230V Grundfos pump, no volute*
9405	UP26-116F (sngl spd), 230V Grundfos pump, cast iron volute
9104NV	UPS26-99 (3-speed), 115V Grundfos pump, no volute*
9104	UPS26-99F (3-spd), 115V Grundfos pump, cast iron volute
9024	Grundfos Magna GEO 32-140 var. speed, 230V, cast iron
<b>Replacement Pump - Flush Cart</b>	
9424	Munro 1.5 HP 115V/208-230V single phase
<b>Blank-off Plate Kits (convert 2-pump to 1-pump flow center)</b>	
3480	Blank-off Plate Kit, Flo-Link Double O-ring flow centers
3479	Blank-off Plate Kit, 1" FPT flow centers
<b>Flow Center 3-Way Valve Repair Kits</b>	
2938	Repair Kit, Composite Valve, Flo-Link Double O-ring
3518	Repair Kit, Brass Valve, Flo-Link Double O-ring
3341	Repair Kit, Brass Valve, FPT Connections
<b>Swivel Fitting Replacement Parts</b>	
4026	Pack of 10, 1" gaskets for swivel fittings at heat pump
4282	Pack of 10, spiral rings for swivel fittings at heat pump
4283	Pack of 4, female nuts for swivel fittings at heat pump
<b>Wiring Kits</b>	
3977	Wiring kit for residential flow centers (included w/flow centers)
4129	Wiring kit for Infinity/Evolution units using var. spd. flow center (purchased separately from RC)
<b>Replacement Parts for Variable Speed Flow Centers</b>	
3685	UPC GEO variable speed pump controller (replacement)
3683	Flow sensor and tube, VFS10-200 (replacement)
3986	Thermistor 10K, 1/4" MPT brass immersion (replacement)
3728	Isolation relay, 24VAC, SPST/NO (replacement)
3699	Wiring harness, Low Voltage, Magna GEO (replacement)

\* Pump head only (does not include volute)

# Replacement Parts



Flow Center Kit for Outdoor Split Application

Contact Replacement Components for flow center replacement parts and other replacement parts for geothermal accessories.

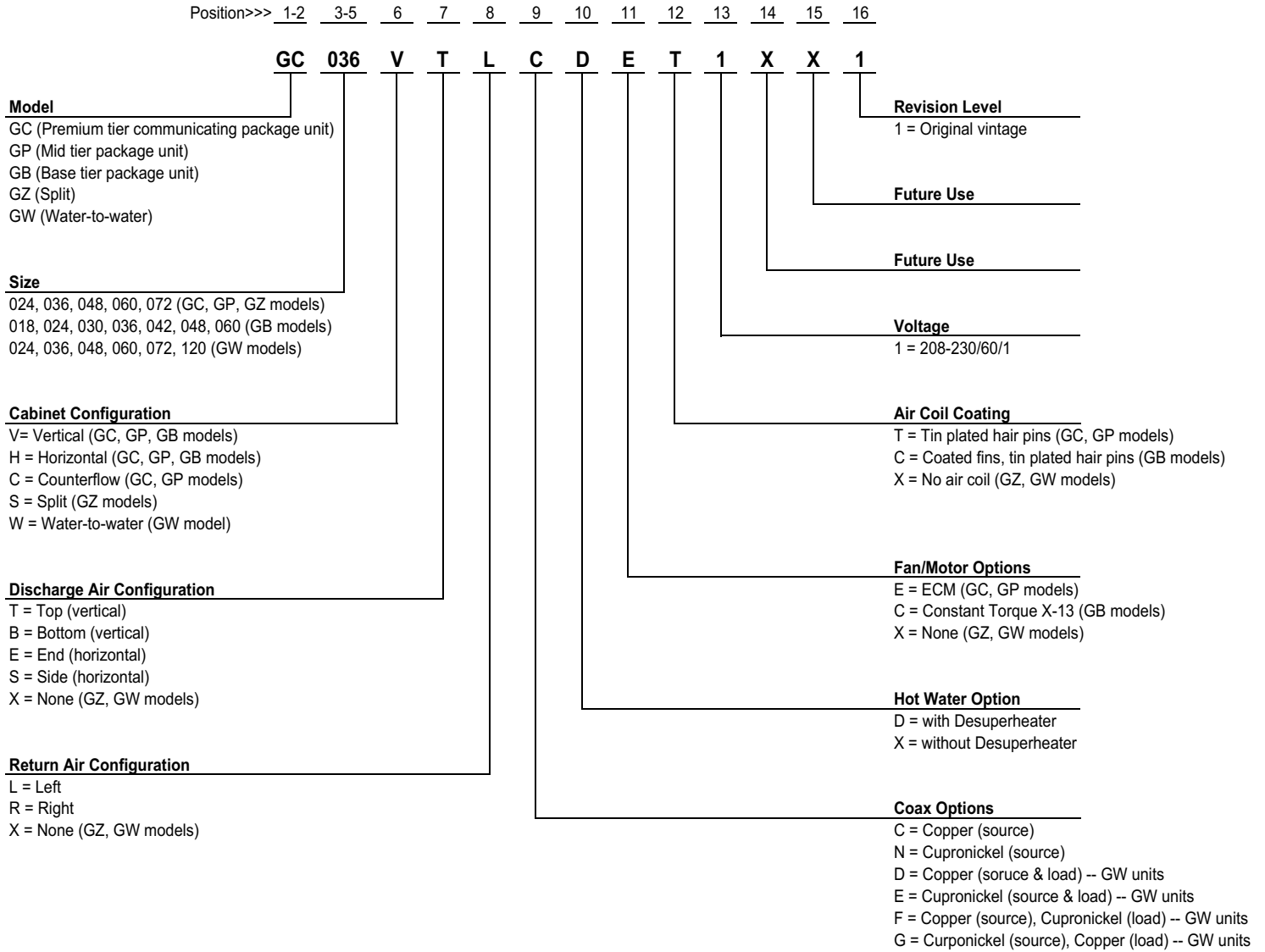
Part Number	Description
	Replacement Parts - Outdoor Split Flow Center Kits
4258	Temperature sensor/switch
4404	Single pump wiring harness (FCP11BDOS)
4405	Double pump wiring harness (FCP21BDOS)
4301	Wiring kit for relays
4249	Base Panel
4416	Cover, Top and Bottom
4299	Desuperheater switch plug



Part Number	Description
	Energy Tracking Kit
KHAGT0101KIT	Energy tracking kit for use with GC and GZ models
NOTE: Requires V14 software or later	

# Residential Unit Nomenclature - Bryant Geothermal Units

Rev. March, 2017





# Specifications - Bryant Geothermal Units

Model & Size		Performance Data							
		Open Loop / Well Water				Closed Loop			
		Cooling		Heating		Cooling		Heating	
		Capacity	EER	Capacity	COP	Capacity	EER	Capacity	COP
GC024	Part	21700	33.6	16700	5.1	21000	28.1	14400	4.4
	Full	29000	26.5	23500	4.9	26600	19.9	18000	4.1
GC036	Part	32600	37.0	25200	5.2	31900	32.0	22400	4.7
	Full	43300	28.0	35900	5.1	40800	22.0	28400	4.3
GC048	Part	42000	33.8	33700	5.2	39900	27.8	29800	4.5
	Full	55300	25.3	46300	4.7	51300	19.3	36900	4.0
GC060	Part	53300	31.2	44300	4.8	51600	26.5	39800	4.4
	Full	70200	24.4	60300	4.6	65100	18.9	48000	3.9
GC072	Part	60800	28.5	52900	4.8	60300	25.4	46900	4.3
	Full	78700	23.1	70000	4.5	73700	18.5	55300	3.8
GP024	Part	21000	30.0	18000	4.6	20000	24.5	15500	4.0
	Full	29000	24.0	25000	4.6	27500	18.7	19000	3.8
GP036	Part	27000	29.0	22500	4.5	27000	24.5	20500	4.0
	Full	42000	21.6	36000	4.2	38000	17.2	28000	3.8
GP048	Part	38000	24.0	32000	4.6	36000	21.8	28500	4.0
	Full	54000	19.0	48000	4.2	49000	15.5	38000	3.6
GP060	Part	48000	26.0	40000	4.6	45000	23.5	36500	4.0
	Full	68000	19.7	61000	4.3	62000	15.7	49000	3.6
GP072	Part	57000	25.2	47000	4.0	56000	21.8	42000	3.7
	Full	77000	19.6	68000	4.2	74000	16.3	53000	3.5
GB018	Full	21300	25.6	17700	4.5	20500	19.0	14800	3.8
GB024	Full	28400	28.1	23700	4.6	26000	21.1	18000	4.0
GB030	Full	31700	27.0	25000	5.2	28500	19.4	20500	4.3
GB036	Full	40200	25.9	34400	4.9	37500	19.7	26000	4.1
GB042	Full	45000	25.7	35000	5.1	42200	21.7	26800	4.1
GB048	Full	52900	26.1	40500	4.3	49500	20.0	33400	3.7
GB060	Full	66500	24.1	56700	4.9	61500	18.5	47000	4.2
GZ024	Part	20600	29.1	17500	4.4	20100	24.5	15800	4.0
	Full	27200	23.8	23400	4.3	25300	18.1	18900	3.8
GZ036	Part	28900	27.7	25200	4.4	27800	23.8	21000	3.9
	Full	39200	21.7	36500	4.3	37000	17.1	26000	3.5
GZ048	Part	39400	27.3	33600	4.4	38200	23.4	29600	3.9
	Full	52300	21.7	46600	4.3	49300	17.1	36600	3.6
GZ060	Part	49800	26.3	44700	4.6	48700	23.1	39200	4.1
	Full	66500	21.4	61000	4.4	63100	17.4	48200	3.7
GZ072	Part	56300	24.3	52600	4.4	56200	21.1	46600	4.0
	Full	69800	20.2	67600	4.3	66600	16.1	53700	3.6
GW024	Part	18500	25.7	17000	3.7	18000	22.1	15000	3.2
	Full	24500	21.2	25000	3.5	22500	15.9	19500	3.0
GW036	Part	25000	24.8	25000	3.6	24000	20.6	22000	3.2
	Full	34000	20.2	34000	3.5	30000	14.6	27000	3.0
GW048	Part	33500	23.6	34500	3.6	32500	20.1	30500	3.2
	Full	45000	19.7	47000	3.5	41000	14.9	37500	3.0
GW060	Part	42500	23.3	41500	3.6	41000	19.8	38000	3.3
	Full	55500	19.9	59500	3.5	51000	14.8	48000	3.0
GW072	Part	50500	21.8	52000	3.6	48500	18.7	44500	3.2
	Full	64000	18.8	70000	3.4	60000	14.8	53500	3.0
GW120	Part	63500	19.0	63600	3.4	61000	16.7	56000	3.2
	Full	130000	21.3	129500	3.8	119500	16.1	102500	3.0

Manufacturer reserves the right to change, at any time, specifications and designs without notice and without obligations.  
GZ unit data shown with CNPVP... series evaporator coils.

Rev. 7/28/2016

# Specifications - Bryant Geothermal Units

Model & Size	Weight			Dimensional Data											
	Operating Lbs., [Kg]			Dimensions - Inches / [centimeters]											
	Vertical	Horizontal	Split / W-W	Vertical Upflow			Vertical Downflow			Horizontal			Split & Water-to-Water		
				Height	Width	Depth	Height	Width	Depth	Height	Width	Depth	Height	Width	Depth
<b>GC024</b>	250 [114]	260 [119]		44.6 [113.3]	24.0 [61]	27.4 [69.6]	44.4 [112.8]	24.0 [61]	27.4 [69.6]	19.7 [50]	25.1 [63.8]	64.1 [162.8]			
<b>GC036</b>	360 [164]	375 [171]		52.6 [133.6]	25.8 [65.5]	33.4 [84.8]	52.4 [133.1]	25.8 [65.5]	33.4 [84.8]	22.7 [57.7]	28.0 [71.1]	76.0 [193]			
<b>GC048</b>	360 [164]	375 [171]		52.6 [133.6]	25.8 [65.5]	33.4 [84.8]	52.4 [133.1]	25.8 [65.5]	33.4 [84.8]	22.7 [57.7]	28.0 [71.1]	76.0 [193]			
<b>GC060</b>	410 [187]	430 [196]		62.0 [157.5]	27.0 [68.6]	33.4 [84.8]	61.8 [157]	27.0 [68.6]	33.4 [84.8]	22.7 [57.7]	28.0 [71.1]	83.0 [210.8]			
<b>GC072</b>	440 [201]	460 [210]		62.0 [157.5]	27.0 [68.6]	33.4 [84.8]	61.8 [157]	27.0 [68.6]	33.4 [84.8]	22.7 [57.7]	28.0 [71.1]	83.0 [210.8]			
<b>GP024</b>	290 [132]	290 [132]		47.25 [120]	21.5 [54.6]	26.0 [66]	47.25 [120]	21.5 [54.6]	26.0 [66]	21.75 [55.2]	26.0 [66]	54.5 [138.4]			
<b>GP036</b>	290 [132]	290 [132]		47.25 [120]	21.5 [54.6]	26.0 [66]	47.25 [120]	21.5 [54.6]	26.0 [66]	21.75 [55.2]	26.0 [66]	54.5 [138.4]			
<b>GP048</b>	318 [145]	318 [145]		47.25 [120]	24.0 [61]	32.75 [83.2]	47.25 [120]	24.0 [61]	32.75 [83.2]	21.75 [55.2]	30.0 [76.2]	68.0 [172.7]			
<b>GP060</b>	390 [178]	390 [178]		51.25 [130.2]	26.0 [66]	33.25 [84.5]	51.25 [130.2]	26.0 [66]	33.25 [84.5]	21.75 [55.2]	30.0 [76.2]	68.0 [172.7]			
<b>GP072</b>	450 [205]	450 [205]		58.25 [148]	26.0 [66]	33.25 [84.5]	58.25 [148]	26.0 [66]	33.25 [84.5]	21.75 [55.2]	30.0 [76.2]	78.0 [198.1]			
<b>GB018</b>	195 [89]	198 [90]		39.25 [99.7]	21.75 [55.2]	21.75 [55.2]				19.75 [50.2]	22.25 [56.5]	45.25 [114.9]			
<b>GB024</b>	229 [104]	307 [140]		47.25 [120]	21.75 [55.2]	26.25 [66.7]				22.0 [55.9]	26.25 [66.7]	54.75 [139.1]			
<b>GB030</b>	269 [123]	358 [163]		47.25 [120]	24.25 [61.6]	33.5 [85.1]				22.0 [55.9]	30.25 [76.8]	68.25 [173.4]			
<b>GB036</b>	281 [128]	369 [168]		47.25 [120]	24.25 [61.6]	33.5 [85.1]				22.0 [55.9]	30.25 [76.8]	68.25 [173.4]			
<b>GB042</b>	334 [152]	400 [182]		58.25 [148]	26.25 [66.7]	33.5 [85.1]				22.0 [55.9]	30.25 [76.8]	79.0 [200.7]			
<b>GB048</b>	340 [155]	405 [184.7]		58.25 [148]	26.25 [66.7]	33.5 [85.1]				22.0 [55.9]	30.25 [76.8]	79.0 [200.7]			
<b>GB060</b>	396 [181]	452 [206]		66.25 [168.3]	26.25 [66.7]	33.5 [85.1]				22.0 [55.9]	30.25 [76.8]	89.25 [226.7]			
<b>GZ024</b>			189 [86]										21.5 [54.6]	24.0 [61]	27.4 [69.6]
<b>GZ036</b>			189 [86]										21.5 [54.6]	24.0 [61]	27.4 [69.6]
<b>GZ048</b>			189 [86]										21.5 [54.6]	24.0 [61]	27.4 [69.6]
<b>GZ060</b>			261 [119]										23.3 [59.2]	27.0 [68.6]	33.4 [84.8]
<b>GZ072</b>			261 [119]										23.3 [59.2]	27.0 [68.6]	33.4 [84.8]
<b>GW024</b>			250 [114]										24.12 [61.3]	32.5 [82.6]	24.0 [61]
<b>GW036</b>			270 [123]										24.12 [61.3]	32.5 [82.6]	24.0 [61]
<b>GW048</b>			290 [132]										24.12 [61.3]	32.5 [82.6]	24.0 [61]
<b>GW060</b>			340 [155]										24.12 [61.3]	32.5 [82.6]	24.0 [61]
<b>GW072</b>			360 [164]										24.12 [61.3]	32.5 [82.6]	24.0 [61]
<b>GW120</b>			700 [319]										37.5 [95.3]	28 [71.1]	46.0 [116.8]

# Application Notes for Hose Kits with P/T Plugs at the Flow Center

For heat pumps with water connections under the return air duct or for any system that could benefit from installing P/T plugs at the flow center instead of at the heat pump, there are hose kits available (HK4PM and HK4QM) that provide an option for the location of the P/T plugs (at the heat pump or at the flow center). Flow center connections with P/T ports and a set of 1/4" MPT brass plugs are included to allow the placement of the P/T plugs at either location.

**NOTE: When the P/T plugs are placed at the flow center, additional pressure drop must be added to the heat pump heat exchanger pressure drop to determine flow rate.** Use the table below for the additional hose kit pressure drop. An example follows.

## Hose Kit Pressure Drop\*

Flow Rate (U.S. GPM)	Pressure Drop at Various Flow Rates/Antifreeze Concentration (includes fittings & 12 ft. of hose)											
	20% Propylene Glycol		25% Propylene Glycol		20% Ethanol		12.5% Methanol		20% Methanol		Water	
	Ft. of Hd.	PSI	Ft. of Hd.	PSI	Ft. of Hd.	PSI	Ft. of Hd.	PSI	Ft. of Hd.	PSI	Ft. of Hd.	PSI
4	0.2	0.1	0.2	0.1	0.2	0.1	0.1	0.0	0.1	0.0	0.1	0.0
5	0.2	0.1	0.3	0.1	0.2	0.1	0.2	0.1	0.2	0.1	0.2	0.1
6	0.3	0.1	0.4	0.2	0.3	0.1	0.3	0.1	0.3	0.1	0.2	0.1
7	0.4	0.2	0.5	0.2	0.4	0.2	0.4	0.2	0.4	0.2	0.3	0.1
8	0.5	0.2	0.6	0.3	0.5	0.2	0.5	0.2	0.5	0.2	0.4	0.2
9	0.7	0.3	0.7	0.3	0.7	0.3	0.6	0.3	0.6	0.3	0.5	0.2
10	0.8	0.3	0.9	0.4	0.8	0.3	0.7	0.3	0.7	0.3	0.6	0.3
11	0.9	0.4	1.0	0.4	1.0	0.4	0.8	0.3	0.9	0.4	0.7	0.3
12	1.1	0.5	1.2	0.5	1.1	0.5	1.0	0.4	1.0	0.4	0.8	0.3
13	1.2	0.5	1.4	0.6	1.3	0.6	1.1	0.5	1.2	0.5	1.0	0.4
14	1.4	0.6	1.6	0.7	1.5	0.6	1.3	0.6	1.3	0.6	1.1	0.5
15	1.6	0.7	1.8	0.8	1.6	0.7	1.4	0.6	1.5	0.6	1.2	0.5
16	1.8	0.8	2.0	0.9	1.8	0.8	1.6	0.7	1.7	0.7	1.4	0.6
17	2.0	0.9	2.2	1.0	2.0	0.9	1.8	0.8	1.8	0.8	1.5	0.6
18	2.2	1.0	2.5	1.1	2.3	1.0	2.0	0.9	2.0	0.9	1.7	0.7

\*Use the above chart for entering water temperatures between 30°F and 50°F. For temperatures above 50°F, use the column labeled "Water". Antifreeze is shown in % by volume.

### Example:

Hose kit part number HK4PM is installed between a model GC048 and an FCP21BD flow center with the P/T plugs installed at the flow center. The entering water temperature is 30°F, and the antifreeze is 20% propylene glycol. The heat pump is in the heating mode. The hose kit pressure drop must be added to the heat exchanger (HX) pressure drop in order to determine the flow rate of the system when using P/T plugs at the flow center.

### GC048 HEATING PERFORMANCE - FULL LOAD

GC048 Heating performance - Full Load				
Entering Water, °F	Water flow, GPM	Pressure Drop Ft. Water	Pressure Drop (Psi)	Ent. °F
30	6	2.9	1.3 ←	60
				70
				80
	8	4.9	2.1 ←	60
				70
				80
	12	10.2	4.4 ←	60
				70
				80

1.3 (HX) + 0.1 (hose kit) = 1.4 psi @ 6 GPM  
 2.1 (HX) + 0.2 (hose kit) = 2.3 psi @ 8 GPM  
 4.4 (HX) + 0.5 (hose kit) = 4.9 psi @ 12 GPM

# LoopLink Geothermal Ground Loop Design Software



RESIDENTIAL/LIGHT COMMERCIAL  
**GEOTHERMAL DESIGN  
MADE SIMPLE**

## BRYANT GEOTHERMAL DESIGN SOFTWARE

### Features

- **Effortlessly Up-to-date:** Web-based format means that every time you log in, you're assured to be working with the latest version.
- **Ready Where You Are:** Web-based format provides access from any device, anywhere you have an internet connection. Doesn't tie you down to a single workstation.
- **Accurate, Repeatable Results:** Design with confidence using the only software built on the calculations methods outlined in the IGSHPA Residential/Light Commercial Design Manual.
- **Demonstrate Your Expertise:** Using LoopLink gives you a competitive advantage over dealers who don't demonstrate this level of professionalism to potential customers.
- **Experience Applied:** LoopLink software programmers have over 50 years of cumulative geothermal design experience.
- **User Support:** LoopLink is intuitive and easy to use. But if you need assistance, phone support is available, Monday-Friday 8AM – 5PM central, or by e-mail 8AM - 10PM 7 days a week.

### Includes

- **Capability to do projects with multiple heat pumps:** Up to 10 zones with any number of heat pumps per zone.
- **Load Estimator:** Use your own load calculators or the Load Estimator tool for a quick estimate.
- **Unit Sizing:** Includes all current Bryant models. Once selection is made, the software displays efficiencies, capacities, run hours, energy usage etc. Warnings are displayed where equipment selection is insufficient.
- **Loop Sizing:** Many loop configurations are available. Let the software calculate the loop length or use the fixed length mode.
- **Dual Fuel:** Capability to size systems with geothermal splits and gas furnace back-up.
- **Economic Analysis:** Accurate cost estimates are just as important as getting the design right. LoopLink calculates simple payback, operating cost comparisons, ownership cost breakdowns, accrued 30-year savings.
- **Carbon Emissions Calculator:** Compares the upstream and point-of-use carbon emissions for those "green" customers.
- **Professional Reports:** Present your customers with professionally designed reports that take seconds to generate and can be saved as a PDF.

### Work Online

- **Access:** Log in and work from anywhere, anytime you have an internet connection. Connect with your tablet, laptop or smart phone.
- **Ease of Ownership:** Never worry about updates or downloads.
- **Peace of Mind:** All your projects are stored remotely on secure mirrored servers running regular back-ups.

### Don't Buy – Subscribe

- **Accountability:** Upgrades are included at no extra charge
- **Expert Support:** Free technical support
- **Affordability:** Select month-to-month or annual subscription plans

**Annual Plan: \$99/year (save \$141)**  
**Monthly Plan: \$20/month**

Check it out at <http://bryant.looplinkrlc.com>

# Geothermal Design Calculators

Geothermal System Design Calculators are available free of charge on the Geo-Flo website at [www.geo-flo.com](http://www.geo-flo.com) (Geo-Flo is the manufacturer of Carrier/Bryant flow centers). This comprehensive suite of calculators provides geothermal and hydronic design tools, concentrating on the hydronic portions of the system. From pressure drop calculation to pump sizing to flushing requirements, the design suite is just the starting point for new services continually being developed. Calculators available on the website are as follows:

- Residential/light commercial pressure drop Calculators:
  - Single unit, outside header or inside header
  - Central pumping, up to five units
  - Distributed pumping (flow center per heat pump), up to five units
  - Dual unit (NPD) flow center
  - Multi unit (NPM) flow center
- Commercial pressure drop Calculators:
  - Pipe segment pressure drop, up to 6" pipe
  - Flow rate/pump affinity laws
  - Cv calculator
- Pump sizing Calculators:
  - Flow centers, up to 100 U.S. GPM
  - Series/Parallel pump Calculator
  - Reynolds number Calculator
  - Magna3 pump sizing
  - Geothermal expansion tank Calculator
- Flush cart calculator
- Hydronic Calculators:
  - Buffer Tank Sizing Calculator
  - Heat pump load sizing piping (heat pump to buffer tank) pressure drop
  - Radiant floor/fan coil piping pressure drop
  - Expansion tank Calculator (radiant and fan coil systems)
- Pond loop coil Calculator
- Service Calculators (mobile device friendly!):
  - Flow Rate calculator (calculates flow rate based upon heat exchanger pressure drop)
  - HE-HR calculator (calculates Heat of Extraction or Heat of Rejection)

To learn more about the design suite, go to [www.geo-flo.com](http://www.geo-flo.com), and select "Design Calculators." Sign up for an account, and gain instant access.

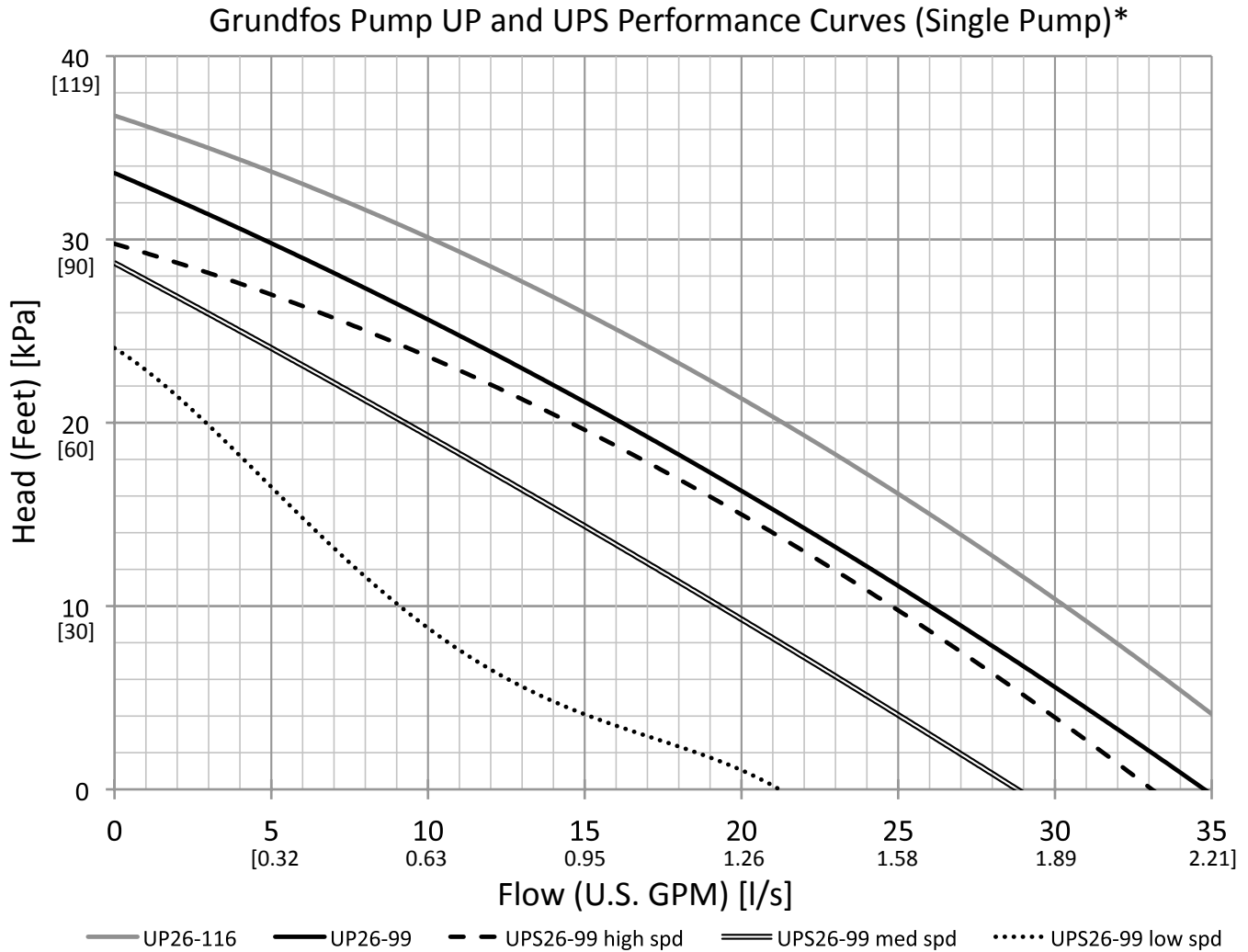
**About Calculators** \*\*\*NEW\*\*\* Geo-Flo News

 <p><b>Pressure Drop Calculators</b></p>	 <p><b>Pump Sizing Calculators</b></p>	 <p><b>Flush Cart Calculator</b></p>
 <p><b>Pond Coil Calculator</b></p>	 <p><b>Hydronic Calculators</b></p>	 <p><b>HE-HR Calculator</b> <b>Flow Rate Calculator</b></p>

# Pump Curves

## Grundfos UPS26-99, UP26-99, and UP26-116

UPS26-99 (3-speed) and UP26-116 (single speed) pumps are used on current residential flow centers. UP26-99 (single speed) pumps are still in use on older flow centers.



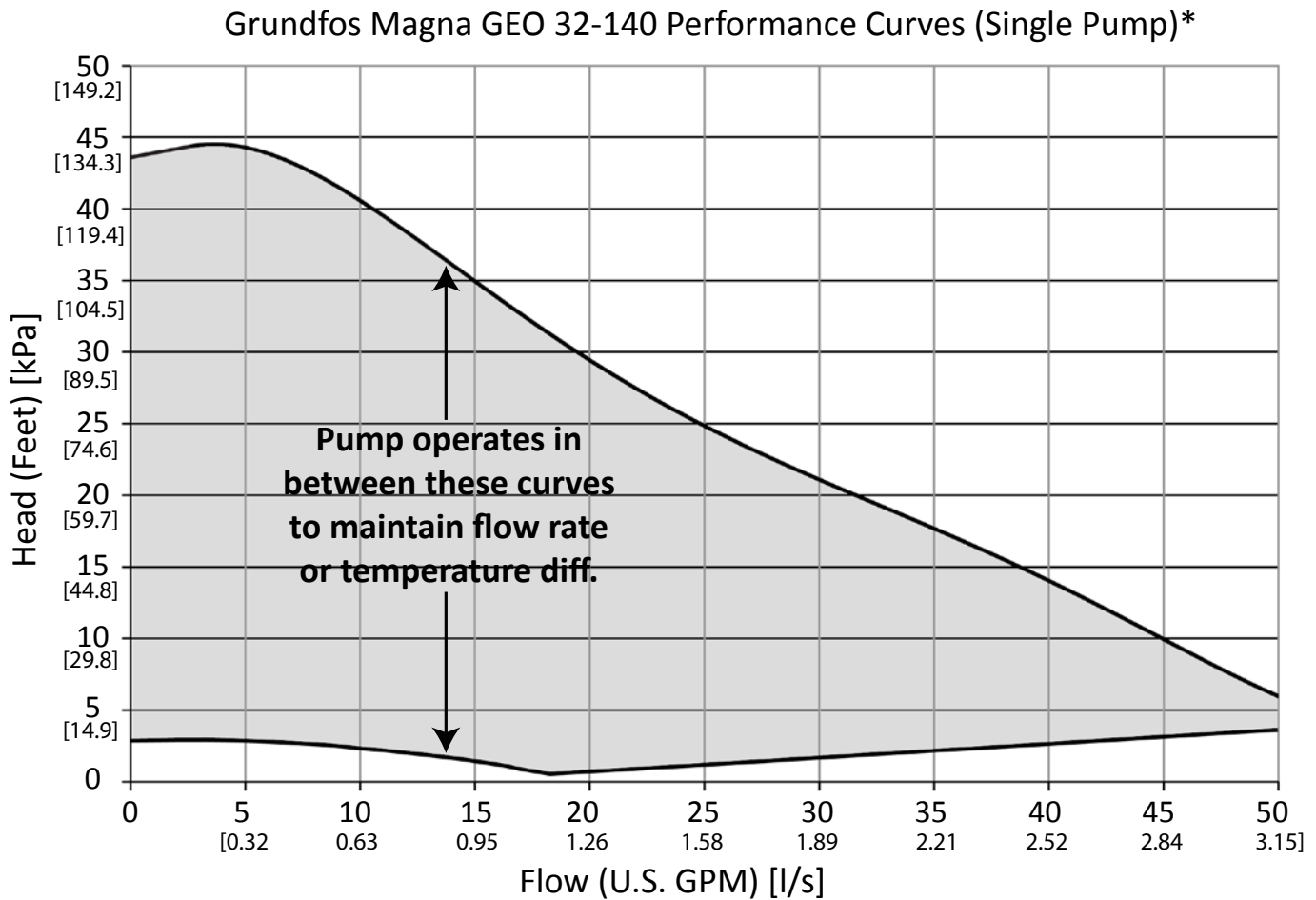
\*Above pump curves are for a single pump. Pumps for two-pump flow centers are piped in series. To determine the pressure drop with multiple pumps, multiply the head shown on the chart by the number of pumps. For example, one UP26-116 pump can produce 24 ft. of head at 15 GPM; two UP26-116 pumps in series can produce 48 ft. of head.

Curves are manufacturer's reported averages using water at 68°F [20°C].

# Pump Curves

## Grundfos Magna GEO Variable Speed

The Magna GEO pump is used on residential Flo-Link (double O-ring) pressurized flow centers and on NP series non-pressurized flow centers. For two-pump variable speed flow centers, use the graph on the next page.



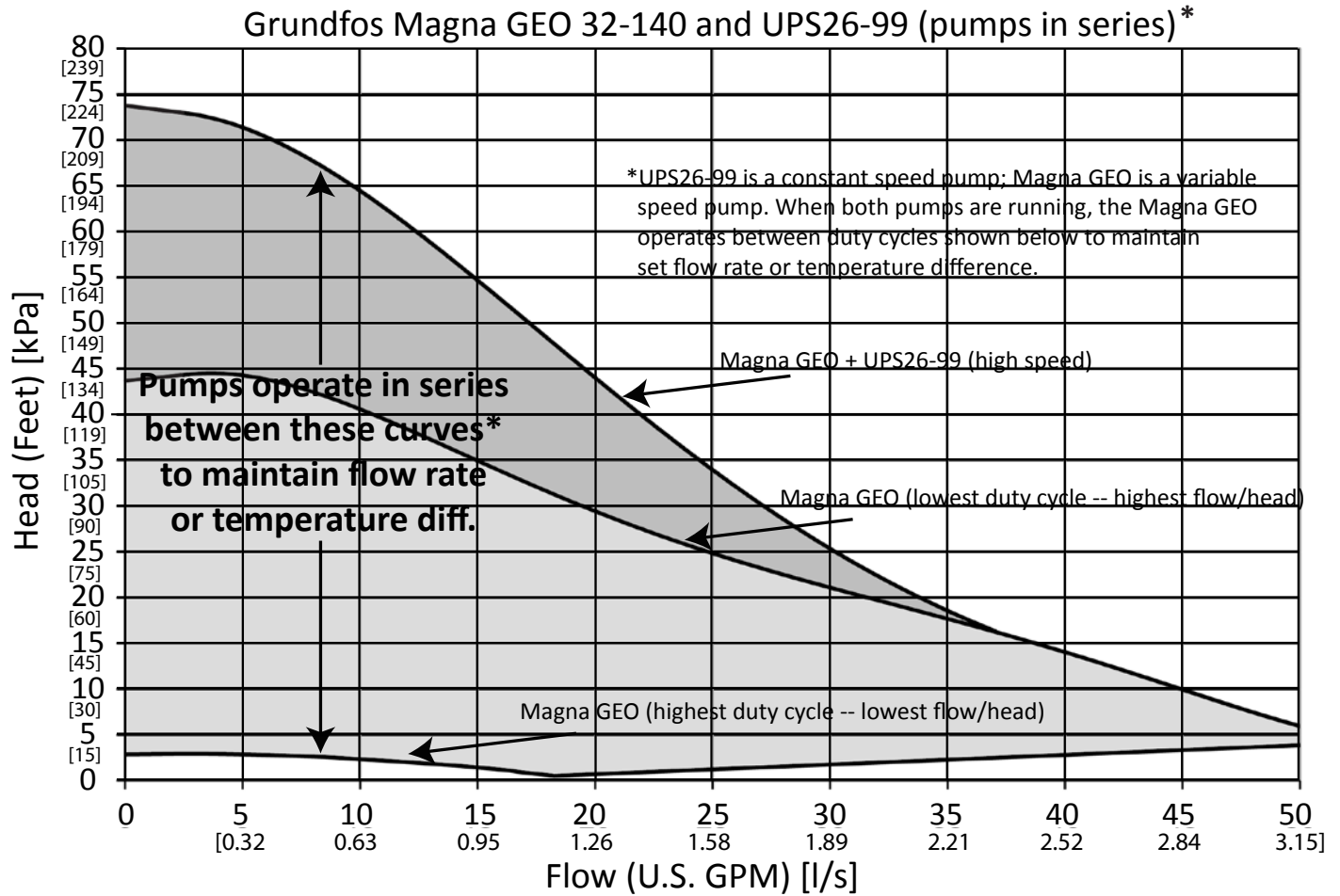
\*Above pump curves are for a single pump. The Magna GEO (variable speed) pump adjusts speed (when used with a controller) to maintain flow rate or temperature difference. The pump can operating anywhere between the upper and lower curves to provide the flow rate set point.

Curves are manufacturer's reported averages using water at 68°F [20°C].

# Pump Curves

## Grundfos Magna GEO Variable Speed with Second Pump in Series (UPS 26-99)

The Magna GEO pump is used on residential Flo-Link (double O-ring) pressurized flow centers and on NP series non-pressurized flow centers. The graph below is for two-pump flow centers.



\*When the Magna GEO pump is used with a second pump in series, the second pump is constant speed. The Magna GEO (variable speed) pump adjusts speed (when used with a controller) to maintain flow rate or temperature difference. The controller energizes the constant speed pump (UPS26-99) when the Magna GEO cannot meet set point, and adjusts the Magna GEO pump accordingly.

Curves are manufacturer's reported averages using water at 68°F [20°C].



# Updates Table

Date	Description of Changes	Pages
September 19, 2017	Added flow center kit for outdoor split installation	1,5,9,29
	Added energy tracking kit for GC and GZ models	29
August 8, 2017	Added information on geothermal components not included in the catalog.	Inside front cover
	Added FIS5U4M 1-1/4" socket fusion x 1" MPT adapter	14
	Updated notes on heater compatibility	19
	Added replacement parts for swivel fittings & var. speed flow centers	27
	Added pages for geothermal heat pump nomenclature/features	28
	Updated example to model GC	31
	Added page for LoopLink geothermal ground loop design software	32
	Added page for Geothermal Design Calculators	33
May 13, 2016	Updated fitting nomenclature	11
	Added FIT4D4E Dual Unit Connection Kit	14
	Updated auxiliary heater nomenclature and compatibility table	19
March 17, 2016	Updated picture of FIS4M4B and FIS4M5B	8,14
	Updated fitting nomenclature	11
	Corrected hose kit descriptions	12
	Added FIS4R4B fitting (1" MPT x 1" hose barb w/port for P/T plug)	14
	Updated picture of flow regulator valve	20
	Added Infinity/Evolution wiring kit for variable speed flow centers	27
December 10, 2015	Updated for communicating heat pumps	5, 6, 7, 9, 10, 11, 17, 18, 20
	Moved Application Notes to section with pump curves	28
July 23, 2015	Added HK4PM and HK4QM hose kits	11, 12, 13
	Changed FIS4T4B & FIS4T4M to stocked items	14
March 13, 2015	Added NP series variable speed kits	10
	Added FIN4M4F 45 deg elbow for heat pumps w/angled connections	14
	Added FIE4M4F threaded heat pump elbows with P/T plugs	
	Added 50 ft. length of additional rubber hose	16
	Added high density rubber equipment pads	18
	Added auxiliary electric heaters	19
	Added replacement parts	27
April 15, 2014	First Published	All

**Contact Replacement Components for flow center replacement pumps, 3-way valve re-build kits, and other replacement parts for geothermal accessories (see page 28 for parts list).**



**Heating & Cooling Systems**



# **Geothermal System Components Catalog**