

## Installation Instructions

Part No. 30XV70000801

### SAFETY CONSIDERATIONS

Installation of this accessory can be hazardous due to electrical components and equipment location (such as a roof or elevated structure).

Only trained, qualified installers and service technicians should install and service this equipment.

When installing this accessory, observe precautions in the literature and on labels attached to the equipment, as well as other safety precautions that may apply.

- Follow all safety codes.
- Wear safety glasses and work gloves.
- Use care when handling and installing this accessory.

#### WARNING

Electrical shock can cause personal injury and death. Shut off all power to this equipment during installation. There may be more than one disconnect switch. Tag all disconnect locations to alert others not to restore power until work is completed.

### INTRODUCTION

The ground fault interrupter convenience outlet (GFI-CO) accessory provides two auxiliary 115-v, 60 Hz outlets for hand tools, lights, and other devices. The GFI-CO also cuts power to the outlets in the event of a ground fault and includes test and reset switches for this feature. See Table 1 for the contents of the GFI-CO accessory package.

**Table 1 — Accessory Package Contents**

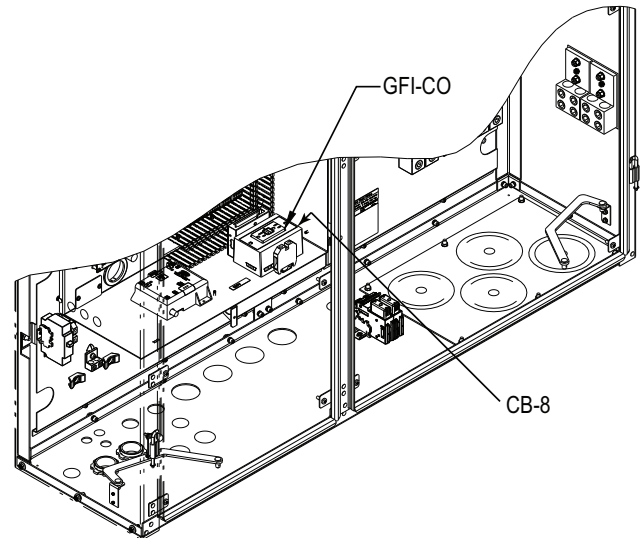
| ITEM          | P/N          | QTY. |
|---------------|--------------|------|
| GFCI (GFI-CO) | HY01GF002    | 1    |
| Wire Harness  | 30XV50073901 | 1    |

The 30XV units accept one GFI-CO accessory. The accessory kit provides all necessary wires for accessory installation.

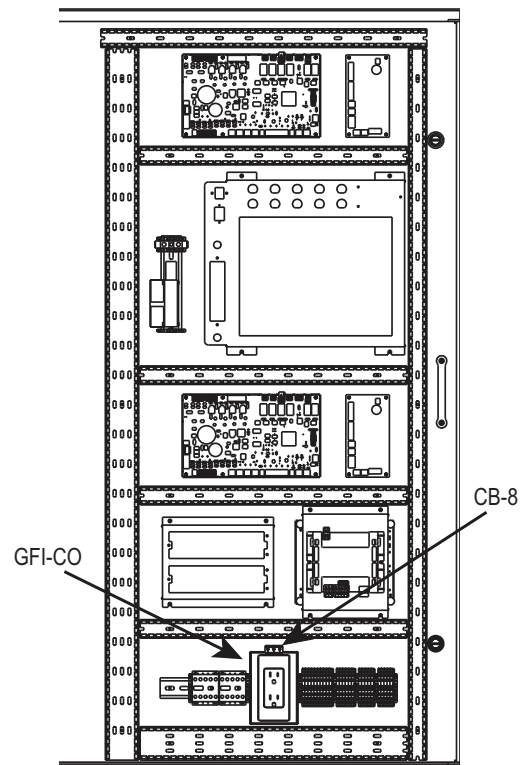
NOTE: There is a 5-amp limit for the convenience outlet.

### INSTALLATION

1. Inspect package contents for missing or damaged parts. File a claim with the shipping agency if parts are damaged, and notify your Carrier representative if any item is missing.
2. Open and tag all electrical disconnects.
3. Open the unit control box door.
4. Install the GFI-CO in the location shown in Fig. 1 or 2 by snapping GFI-CO onto the DIN rail.



**Fig. 1 — GFI-CO Installation Location for 30XV140-325**



**Fig. 2 — GFI-CO Installation Location for 30XV350-500**

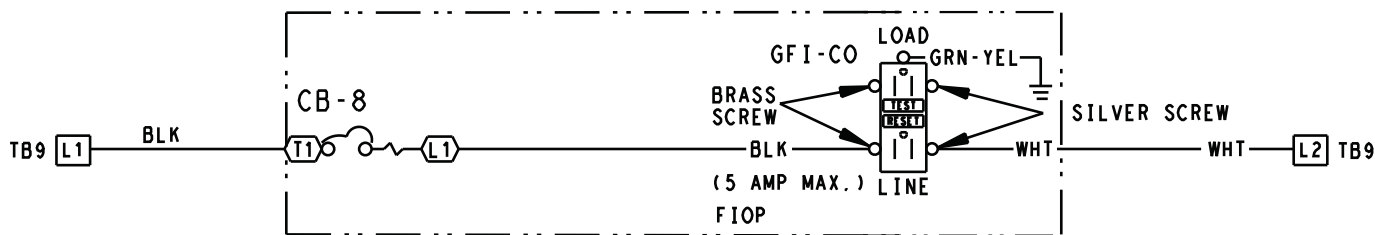
- Referring to Fig. 3, locate wire harness (P/N 30XV50073901) in the accessory kit. Connect the black wire labeled TB9-L1 to an open connection point on terminal block TB9-L1. Connect the white wire labeled TB9-L2 to an open connection point on terminal block TB9-L2.

NOTE: CB-8 is integral to GFI-CO as shown in Fig. 3.

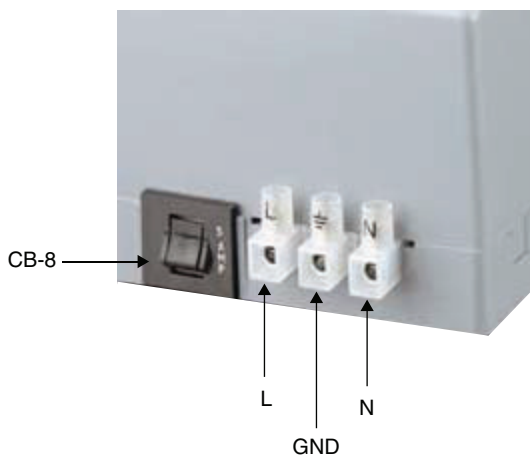
- Referring to Fig. 4, connect black wire labeled CONV OUT L to the terminal marked L on the GFI-CO. Connect the white wire labeled CONV OUT N to the terminal marked N on the GFI-CO. Connect green/yellow wire labeled CONV OUT GND to the terminal marked with ground symbol on the GFI-CO. Connect the other end of the green/yellow wire labeled GND TB to the green/yellow terminal block near the GFI-CO mounting location.

- Ensure that electrical connections are tight, and restore power to the unit.
- Test the GFI-CO by pressing its test button and checking for power at the outlet. If the accessory is incorrectly wired, the GFI-CO may not trip and power may be present at the outlet. If power is present, disconnect all power to the unit, correct the accessory wiring, reconnect the unit power, and retest the outlet.
- When the GFI-CO trips and no power is present at the outlet, restore the circuit by pressing the "Reset" button on the GFI-CO.
- Remove tags from disconnects and close the control box door.

NOTE: After the GFI-CO is installed, periodically test the ground fault feature as described in preceding Steps 8 and 9.



**Fig. 3 — GFI-CO Wiring Diagram**



**Fig. 4 — CB-8 and Terminals L, GND, and N**