



30RB060-390, 30XA080-500 Security Grille Package Accessory

Installation Instructions

Part No: 00EFN900000801A, 00EFN900000901A,
 00EFN900001001A, 00EFN900001101A, 00EFN900001201A,
 00EFN900001301A, 00EFN900001401A, 00EFN900001501A,
 00EFN900001601A, 00EFN900002503A, 00EFN900002504A,
 00EFN900002505A, 00EFN900002506A, 00EFN900002507A,
 00EFN900002508A, 00EFN900002509A, 00EFN900002510A,
 00EFN900002511A, 00EFN900002512A

CONTENTS

	Page
SAFETY CONSIDERATIONS	1
INTRODUCTION	1-12
INSTALLATION	12-43

SAFETY CONSIDERATIONS

When installing this accessory, observe precautions in the literature and on any labels attached to the equipment, and all other safety precautions that may apply.

- Follow all safety codes.
- Wear safety glasses and work gloves.
- Use care in handling and installing this accessory.

⚠ WARNING

Electrical shock can cause personal injury and death. Shut off all power to this equipment during installation. There may be more than one disconnect switch. Tag all disconnect locations to alert others not to restore power until work is completed.

INTRODUCTION

The accessory security grille packages help to prevent unit damage by debris or vandalism on 30RB and 30XA chillers. One accessory kit is required for 30RB unit sizes 060-300 and 30XA unit sizes 080-500. Two accessory kits are required for 30RB duplex sizes 315-390, one for each module. See Table 1 for 30RB modular unit combinations. See Table 2 for accessory kit usage. See Tables 3-21 for accessory kit contents.

Table 1 — 30RB Modular Combinations

MODULE UNITS	MODULE A	MODULE B
30RBA315	30RBA160	30RBA160
30RBA330	30RBA170	30RBA160
30RBA345	30RBA170	30RBA170
30RBA360	30RBA190	30RBA170
30RBA390	30RBA190	30RBA190

NOTE: An "A" in the model number indicates the design series.

NOTE: Condenser coil trim panels must either be factory installed or purchased as a field-installed accessory before security grille installation can be completed.

Check items for shipping damage. If any damage is found, immediately file a claim with the shipping agent. If any item is missing or if any part does not assemble properly, notify your Carrier distributor.

⚠ CAUTION

To avoid damage to the refrigerant coils and electrical components, use extreme care when drilling screw holes and screwing in fasteners.

Table 2 — Accessory Package Application

UNIT	SIZE	ACCESSORY PART NO.	QTY USED
30RB (units with or without high SCCR option)	060,070,080	00EFN900000801A	1
	90,100,110	00EFN900000901A	1
	120,130,150	00EFN900001001A	1
	160,170	00EFN900001101A	1
	190	00EFN900001201A	1
	210,225	00EFN900001301A	1
	250	00EFN900001401A	1
	275	00EFN900001501A	1
	300	00EFN900001601A	1
	315,330,345	00EFN900001101A	2
	360	00EFN900001201A 00EFN900001101A	1 1
	390	00EFN900001201A	2
30XA (units without high SCCR option)	080-082	00EFN900002503A	1
	090-122	00EFN900002504A	1
	140-162	00EFN900002505A	1
	180-202	00EFN900002506A	1
	220-242	00EFN900002507A	1
	260-302	00EFN900002508A	1
	325-352	00EFN900002509A	1
30XA (units with high SCCR option)	400-500	00EFN900002510A	1
	140-162	00EFN900002505A	1
	180-202	00EFN900002506A	1
	220-242	00EFN900002507A	1
	260-302	00EFN900002511A	1
	325-352	00EFN900002512A	1

SCCR — Short Circuit Current Rating

Manufacturer reserves the right to discontinue, or change at any time, specifications or designs without notice and without incurring obligations.

Table 3 — Accessory Package Contents, 30RB060-080 Units

PART NO.	ITEM PART NO. AND DESCRIPTION	ITEM NO.	QTY USED
00EFN90000801A (See Fig. 2)	00PSN000048600A, Pump/Nozzle Side Support (Approx. 76.75" long)	11	1
	00PSN000049500A, Compressor Side Support (Approx. 79.75" long)	24	1
	00PSN000048700A, Condenser End Top Support (Approx. 71.25" long)	25	2
	00PSN000049100A, Middle Support at Blank End (Approx. 72.75" long)	26	1
	00PSN500159100A, Top Control Panel Support (Approx. 73.5" long)	27	1
	00PSN000049300A, Lower Control Panel Support (Approx. 50.5" long)	28	1
	00PSN000100200A, Comp/Pump Side Lower Grille (Approx. 38" x 31.5")	30	4
	00PSN000046900A, Upper Blank End Grille (Approx. 35.5" x 38.5")	35	2
	00PSN000047300A, Lower Right Blank End Grille (Approx. 45" x 27.5")	36	1
	00PSN000047400A, Lower Left Blank End Grille (Approx. 21.25" x 27.5")	37	1
	00PSN000047700A, Lower Left Control End Grille (Approx. 45" x 27.5")	39	1
	00PSN000046800A, Top Control End Grille (Approx. 35.5" x 22")	40	2
	00PSN000047600A, Condenser Opening Grille (Triangular)	41	2
	00PSN500061700A, Middle Control End Grille (Approx. 47.25" x 12.75")	45	1
	00PPG000000701A, 801A, Grille Male/Female Fastener	—	49 each
	00PPN500000401A, M4.8 Sheet Metal Screw	—	18
	00PPN500000302A, M6 Sheet Metal Screw	—	8

Table 4 — Accessory Package Contents, 30RB090-110 Units

PART NO.	ITEM PART NO. AND DESCRIPTION	ITEM NO.	QTY USED
00EFN90000901A (See Fig. 3)	00PSN000049600A, Pump/Nozzle Side Right Support (Approx. 63" long)	6	1
	00PSN000048500A, Pump/Nozzle Side Left Support (Approx. 59" long)	10	1
	00PSN000049700A, Compressor Side Left Support (Approx. 60.25" long)	20	1
	00PSN000049800A, Compressor Side Right Support (Approx. 60.25" long)	23	1
	00PSN000048700A, Condenser End Top Support (Approx. 71.25" long)	25	2
	00PSN000049100A, Middle Support at Blank End (Approx. 72.75" long)	26	1
	00PSN500159100A, Top Control Panel Support (Approx. 73.5" long)	27	1
	00PSN000049300A, Lower Control Panel Support (Approx. 50.5" long)	28	1
	00PSN000101500A, Pump/Nozzle Side Center Lower Grille (Approx. 45" x 31.5")	29	1
	00PSN000100200A, Pump/Nozzle Side Outside Lower Grille (Approx. 38" x 31.5")	30	2
	00PSN000101400A, Compressor Side Outside Lower Grille (Approx. 49.75" x 31.5")	34	2
	00PSN000046900A, Upper Blank End Grille (Approx. 35.5" x 38.5")	35	2
	00PSN000047300A, Lower Right Blank End Grille (Approx. 45" x 27.5")	36	1
	00PSN000047400A, Lower Left Blank End Grille (Approx. 21.25" x 27.5")	37	1
	00PSN000047700A, Lower Left Control End Grille (Approx. 45" x 27.5")	39	1
	00PSN000046800A, Top Control End Grille (Approx. 35.5" x 22")	40	2
	00PSN000047600A, Condenser Opening Grille (Triangular)	41	4
	00PSN000101900A, Compressor Side Center Lower Grille (Approx. 21.25" x 31.5")	42	1
	00PSN500061700A, Middle Control End Grille (Approx. 47.25" x 12.75")	45	1
	00PPG000000701A, 801A, Grille Male/Female Fastener	—	68 each
	00PPN500000401A, M4.8 Sheet Metal Screw	—	24
	00PPN500000302A, M6 Sheet Metal Screw	—	10

Table 5 — Accessory Package Contents, 30RB120-150 Units

PART NO.	ITEM PART NO. AND DESCRIPTION	ITEM NO.	QTY USED
00EFN90001001A (See Fig. 4)	00PSN000048400A, Pump/Nozzle Side Support (Approx. 82.75" long)	7	2
	00PSN000049200A, Compressor Side Left Support (Approx. 69.25" long)	21	1
	00PSN000049400A, Compressor Side Right Support (Approx. 69.25" long)	22	1
	00PSN000048700A, Condenser End Top Support (Approx. 71.25" long)	25	2
	00PSN000049100A, Middle Support at Blank End (Approx. 72.75" long)	26	1
	00PSN500159100A, Top Control Panel Support (Approx. 73.5" long)	27	1
	00PSN000049300A, Lower Control Panel Support (Approx. 50.5" long)	28	1
	00PSN000101500A, Pump/Nozzle Side Center Lower Grille (Approx. 45" x 31.5")	29	2
	00PSN000100200A, Comp/Pump Side Outside Lower Grille (Approx. 38" x 31.5")	30	4
	00PSN000101600A, Compressor Side Center Lower Grille (Approx. 30.75" x 31.5")	33	3
	00PSN000046900A, Upper Blank End Grille (Approx. 35.5" x 38.5")	35	2
	00PSN000047300A, Lower Right Blank End Grille (Approx. 45" x 27.5")	36	1
	00PSN000047400A, Lower Left Blank End Grille (Approx. 21.25" x 27.5")	37	2
	00PSN500099800A, Middle Control Right Side Grille (Approx. 19.75" x 12.75")	38	1
	00PSN000047700A, Lower Left Control End Grille (Approx. 45" x 27.5")	39	1
	00PSN000046800A, Top Control End Grille (Approx. 35.5" x 22")	40	2
	00PSN000047600A, Condenser Opening Grille (Triangular)	41	6
	00PSN500091200A, Compressor Side Center (120 only) Support (Approx. 37" long)	43	1
	00PSN500061800A, Middle Control Right Side Support (Approx. 26.5" x 3.75")	44	1
	00PSN500061700A, Middle Control End (120 only) Grille (Approx. 47.25" x 12.75")	45	1
00PPG000000701A, 801A, Grille Male/Female Fastener	—	89 each	
00PPN500000401A, M4.8 Sheet Metal Screw	—	30	
00PPN500000302A, M6 Sheet Metal Screw	—	12	

Table 6 — Accessory Package Contents, 30RB160,170,315A/B,330A/B,345A/B,360B Units

PART NO.	ITEM PART NO. AND DESCRIPTION	ITEM NO.	QTY USED
00EFN90001101A (See Fig. 5)	00PSN000048900A, Pump/Nozzle Side Left Support (Approx. 82.75" long)	2	1
	00PSN000048800A, Pump/Nozzle Side Center Support (Approx. 69" long)	8	1
	00PSN000050100A, Pump/Nozzle Side Right Support (Approx. 59" long)	9	1
	00PSN500033800A, Compressor Side Center Support (Approx. 74.5" long)	13	1
	00PSN500033700A, Compressor Side Left Support (Approx. 40.75" long)	15	1
	00PSN000049900A, Compressor Side Right Support (Approx. 71.25" long)	16	1
	00PSN000048700A, Condenser End Top Support (Approx. 71.25" long)	25	2
	00PSN000049100A, Middle Support at Blank End (Approx. 72.75" long)	26	1
	00PSN500159100A, Top Control Panel Support (Approx. 73.5" long)	27	1
	00PSN000049300A, Lower Control Panel Support (Approx. 50.5" long)	28	1
	00PSN000101500A, Comp/Pump Side Center Lower Grille (Approx. 45" x 31.5")	29	2
	00PSN000100200A, Comp/Pump Side Outside/Center Lower Grille (Approx. 38" x 31.5")	30	6
	00PSN000101800A, Comp/Pump Side Center Lower Grille (Approx. 14.25" x 31.5")	31	3
	00PSN000101600A, Compressor Side Center Lower Grille (Approx. 30.75" x 31.5")	33	1
	00PSN000046900A, Upper Blank End Grille (Approx. 35.5" x 38.5")	35	2
	00PSN000047300A, Lower Right Blank End Grille (Approx. 45" x 27.5")	36	1
	00PSN000047400A, Lower Left Blank End Grille (Approx. 21.25" x 27.5")	37	2
	00PSN500099800A, Middle Control Right Side Grille (Approx. 19.75" x 12.75")	38	1
	00PSN000047700A, Lower Left Control End Grille (Approx. 45" x 27.5")	39	1
	00PSN000046800A, Top Control End Grille (Approx. 35.5" x 22")	40	2
	00PSN000047600A, Condenser Opening Grille (Triangular)	41	8
	00PSN500061800A, Middle Control Right Side Support (Approx. 26.5" x 3.75")	44	1
	00PPG000000701A, 801A, Grille Male/Female Fastener	—	106 each
	00PPN500000401A, M4.8 Sheet Metal Screw	—	30
00PPN500000302A, M6 Sheet Metal Screw	—	14	

Table 7 — Accessory Package Contents, 30RB190, 360A, 390A/B Units

PART NO.	ITEM PART NO. AND DESCRIPTION	ITEM NO.	QTY USED
00EFN90001201A (See Fig. 6)	00PSN500031600A, Pump/Nozzle Side Left Support (Approx. 41.375" long)	1	1
	00PSN000048900A, Pump/Nozzle Side Left Center Support (Approx. 82.75" long)	2	1
	00PSN500031700A, Pump/Nozzle Side Right Center Support (Approx. 65.75" long)	5	1
	00PSN000049600A, Pump/Nozzle Side Right Support (Approx. 63" long)	6	1
	00PSN500034200A, Compressor Side Right Support (Approx. 40.75" long)	12	1
	00PSN500033800A, Compressor Side Center Support (Approx. 74.5" long)	13	2
	00PSN500033700A, Compressor Side Left Support (Approx. 40.75" long)	15	1
	00PSN000048700A, Condenser End Top Support (Approx. 71.25" long)	25	2
	00PSN000049100A, Middle Support at Blank End (Approx. 72.75" long)	26	1
	00PSN500159100A, Top Control Panel Support (Approx. 73.5" long)	27	1
	00PSN000049300A, Lower Control Panel Support (Approx. 50.5" long)	28	1
	00PSN000101500A, Comp/Pump Side Center Lower Grille (Approx. 45" x 31.5")	29	4
	00PSN000100200A, Comp/Pump Side Outside/Center Lower Grille (Approx. 38" x 31.5")	30	6
	00PSN000101800A, Comp/Pump Side Center Lower Grille (Approx. 14.25" x 31.5")	31	5
	00PSN000046900A, Upper Blank End Grille (Approx. 35.5" x 38.5")	35	2
	00PSN000047300A, Lower Right Blank End Grille (Approx. 45" x 27.5")	36	1
	00PSN000047400A, Lower Left Blank End Grille (Approx. 21.25" x 27.5")	37	2
	00PSN500099800A, Middle Control Right Side Grille (Approx. 19.75" x 12.75")	38	1
	00PSN000047700A, Lower Left Control End Grille (Approx. 45" x 27.5")	39	1
	00PSN000046800A, Top Control End Grille (Approx. 35.5" x 22")	40	2
	00PSN000047600A, Condenser Opening Grille (Triangular)	41	10
00PSN500061800A, Middle Control Right Side Support (Approx. 26.5" x 3.75")	44	1	
00PPG000000701A, 801A, Grille Male/Female Fastener	—	126 each	
00PPN500000401A, M4.8 Sheet Metal Screw	—	32	
00PPN500000302A, M6 Sheet Metal Screw	—	17	

Table 8 — Accessory Package Contents, 30RB210, 225 Units

PART NO.	ITEM PART NO. AND DESCRIPTION	ITEM NO.	QTY USED
00EFN90001301A (See Fig. 7)	00PSN000048900A, Pump/Nozzle Side Left Support (Approx. 82.75" long)	2	1
	00PSN000049000A, Pump/Nozzle Side Center Support (Approx. 88.5" long)	3	1
	00PSN000048400A, Pump/Nozzle Side Right Support (Approx. 82.75" long)	7	1
	00PSN000049900A, Compressor Side Right Support (Approx. 71.25" long)	16	1
	00PSN500033900A, Compressor Side Center Support (Approx. 59.75" long)	18	1
	00PSN000050300A, Compressor Side Left Support (Approx. 69" long)	19	1
	00PSN000048700A, Condenser End Top Support (Approx. 71.25" long)	25	2
	00PSN000049100A, Middle Support at Blank End (Approx. 72.75" long)	26	1
	00PSN500159100A, Top Control Panel Support (Approx. 73.5" long)	27	1
	00PSN000049300A, Lower Control Panel Support (Approx. 50.5" long)	28	1
	00PSN000101500A, Comp/Pump Side Center Lower Grille (Approx. 45" x 31.5")	29	3
	00PSN000100200A, Comp/Pump Side Outside/Center Lower Grille (Approx. 38" x 31.5")	30	6
	00PSN000101800A, Comp/Pump Side Center Lower Grille (Approx. 14.25" x 31.5")	31	2
	00PSN000101600A, Compressor Side Center Lower Grille (Approx. 30.75" x 31.5")	33	3
	00PSN000046900A, Upper Blank End Grille (Approx. 35.5" x 38.5")	35	2
	00PSN000047300A, Lower Right Blank End Grille (Approx. 45" x 27.5")	36	1
	00PSN000047400A, Lower Left Blank End Grille (Approx. 21.25" x 27.5")	37	2
	00PSN500099800A, Middle Control Right Side Grille (Approx. 19.75" x 12.75")	38	1
	00PSN000047700A, Lower Left Control End Grille (Approx. 45" x 27.5")	39	1
	00PSN000046800A, Top Control End Grille (Approx. 35.5" x 22")	40	2
	00PSN000047600A, Condenser Opening Grille (Triangular)	41	10
	00PSN500061800A, Middle Control Right Side Support (Approx. 26.5" x 3.75")	44	1
	00PSN500126600A, Compressor Right Side Support (Approx. 35.75" long)	50	1
	00PPG000000701A, 801A, Grille Male/Female Fastener	—	123 each
	00PPN500000401A, M4.8 Sheet Metal Screw	—	34
00PPN500000302A, M6 Sheet Metal Screw	—	16	

Table 9 — Accessory Package Contents, 30RB250 Units

PART NO.	ITEM PART NO. AND DESCRIPTION	ITEM NO.	QTY USED
00EFN900001401A (See Fig. 8)	00PSN500031600A, Pump/Nozzle Side Left Support (Approx. 41.25" long)	1	1
	00PSN000048900A, Pump/Nozzle Side Center Support (Approx. 82.75" long)	2	1
	00PSN000049000A, Pump/Nozzle Side Center Support (Approx. 88.5" long)	3	1
	00PSN000048400A, Pump/Nozzle Side Right Support (Approx. 82.75" long)	7	1
	00PSN500034200A, Compressor Side Right Support (Approx. 40.625" long)	12	1
	00PSN500033800A, Compressor Side Right Center Support (Approx. 74.625" long)	13	1
	00PSN500033900A, Compressor Side Left Center Support (Approx. 59.75" long)	18	1
	00PSN000050300A, Compressor Side Left Support (Approx. 69" long)	19	1
	00PSN000048700A, Condenser End Top Support (Approx. 71.25" long)	25	2
	00PSN000049100A, Middle Support at Blank End (Approx. 72.75" long)	26	1
	00PSN500159100A, Top Control Panel Support (Approx. 73.5" long)	27	1
	00PSN000049300A, Lower Control Panel Support (Approx. 50.5" long)	28	1
	00PSN000101500A, Comp/Pump Side Center Lower Grille (Approx. 45" x 31.5")	29	5
	00PSN000100200A, Comp/Pump Side Outside/Center Lower Grille (Approx. 38" x 31.5")	30	6
	00PSN000101800A, Comp/Pump Side Center Lower Grille (Approx. 14.25" x 31.5")	31	4
	00PSN000101600A, Compressor Side Center Lower Grille (Approx. 30.75" x 31.5")	33	1
	00PSN000046900A, Upper Blank End Grille (Approx. 35.5" x 38.5")	35	2
	00PSN000047300A, Lower Right Blank End Grille (Approx. 45" x 27.5")	36	1
	00PSN000047400A, Lower Left Blank End Grille (Approx. 21.25" x 27.5")	37	2
	00PSN500099800A, Middle Control Right Side Grille (Approx. 19.75" x 12.75")	38	1
	00PSN000047700A, Lower Left Control End Grille (Approx. 45" x 27.5")	39	1
	00PSN000046800A, Top Control End Grille (Approx. 35.5" x 22")	40	2
	00PSN000047600A, Condenser Opening Grille (Triangular)	41	12
	00PSN500061800A, Middle Control Right Side Support (Approx. 26.5" x 3.75")	44	1
	00PPG000000701A, 801A, Grille Male/Female Fastener	—	141 each
	00PPN500000401A, M4.8 Sheet Metal Screw	—	34
00PPN500000302A, M6 Sheet Metal Screw	—	19	

Table 10 — Accessory Package Contents, 30RB275 Units

PART NO.	ITEM PART NO. AND DESCRIPTION	ITEM NO.	QTY USED
00EFN900001501A (See Fig. 9)	00PSN000048900A, Pump/Nozzle Side Left Support (Approx. 82.75" long)	2	1
	00PSN000049000A, Pump/Nozzle Side Left Center Support (Approx. 88.5" long)	3	1
	00PSN500031800A, Pump/Nozzle Side Center Support (Approx. 43.25" long)	4	1
	00PSN500031700A, Pump/Nozzle Side Right Center Support (Approx. 65.75" long)	5	1
	00PSN000049600A, Pump/Nozzle Side Right Support (Approx. 63" long)	6	1
	00PSN500033800A, Compressor Side Left Center Support (Approx. 74.5" long)	13	1
	00PSN500034000A, Compressor Side Right Center Support (Approx. 108" long)	14	1
	00PSN500033700A, Compressor Side Left Support (Approx. 40.75" long)	15	1
	00PSN000049900A, Compressor Side Right Support (Approx. 71.25" long)	16	1
	00PSN000048700A, Condenser End Top Support (Approx. 71.25" long)	25	2
	00PSN000049100A, Middle Support at Blank End (Approx. 72.75" long)	26	1
	00PSN500159100A, Top Control Panel Support (Approx. 73.5" long)	27	1
	00PSN000049300A, Lower Control Panel Support (Approx. 50.5" long)	28	1
	00PSN000101500A, Comp/Pump Side Center Lower Grille (Approx. 45" x 31.5")	29	3
	00PSN000100200A, Comp/Pump Side Outside/Center Lower Grille (Approx. 38" x 31.5")	30	9
	00PSN000101800A, Comp/Pump Side Center Lower Grille (Approx. 14.25" x 31.5")	31	5
	00PSN000101700A, Compressor Side Center Lower Grille (Approx. 26" x 31.5")	32	2
	00PSN000101600A, Compressor Side Center Lower Grille (Approx. 30.75" x 31.5")	33	1
	00PSN000046900A, Upper Blank End Grille (Approx. 35.5" x 38.5")	35	2
	00PSN000047300A, Lower Right Blank End Grille (Approx. 45" x 27.5")	36	1
	00PSN000047400A, Lower Left Blank End Grille (Approx. 21.25" x 27.5")	37	2
	00PSN500099800A, Middle Control Right Side Grille (Approx. 19.75" x 12.75")	38	1
	00PSN000047700A, Lower Left Control End Grille (Approx. 45" x 27.5")	39	1
	00PSN000046800A, Top Control End Grille (Approx. 35.5" x 22")	40	2
	00PSN000047600A, Condenser Opening Grille (Triangular)	41	14
	00PSN500061800A, Middle Control Right Side Support (Approx. 26.5" x 3.75")	44	1
00PPG000000701A, 801A, Grille Male/Female Fastener	—	162 each	
00PPN500000401A, M4.8 Sheet Metal Screw	—	36	
00PPN500000302A, M6 Sheet Metal Screw	—	20	

Table 11 — Accessory Package Contents, 30RB300 Units

PART NO.	ITEM PART NO. AND DESCRIPTION	ITEM NO.	QTY USED
00EFN900001601A (See Fig. 10)	00PSN500031600A, Pump/Nozzle Side Left Support (Approx. 41.25" long)	1	1
	00PSN000048900A, Pump/Nozzle Side Left Center Support (Approx. 82.75" long)	2	1
	00PSN000049000A, Pump/Nozzle Side Center Left Support (Approx. 88.5" long)	3	1
	00PSN500031800A, Pump/Nozzle Side Center Right Support (Approx. 43.25" long)	4	1
	00PSN500031700A, Pump/Nozzle Side Right Center Support (Approx. 65.75" long)	5	1
	00PSN000049600A, Pump/Nozzle Side Right Support (Approx. 63" long)	6	1
	00PSN500034200A, Compressor Side Right Support (Approx. 40.75" long)	12	1
	00PSN500033800A, Compressor Side Left/Right Center Support (Approx. 74.5" long)	13	2
	00PSN500034000A, Compressor Side Center Support (Approx. 108" long)	14	1
	00PSN500033700A, Compressor Side Left Support (Approx. 40.75" long)	15	1
	00PSN000048700A, Condenser End Top Support (Approx. 71.25" long)	25	2
	00PSN000049100A, Middle Support at Blank End (Approx. 72.75" long)	26	1
	00PSN500159100A, Top Control Panel Support (Approx. 73.5" long)	27	1
	00PSN000049300A, Lower Control Panel Support (Approx. 50.5" long)	28	1
	00PSN000101500A, Comp/Pump Side Center Lower Grille (Approx. 45" x 31.5")	29	5
	00PSN000100200A, Comp/Pump Side Outside/Center Lower Grille (Approx. 38" x 31.5")	30	9
	00PSN000101800A, Comp/Pump Side Center Lower Grille (Approx. 14.25" x 31.5")	31	7
	00PSN000101700A, Compressor Side Center Lower Grille (Approx. 26" x 31.5")	32	2
	00PSN000046900A, Upper Blank End Grille (Approx. 35.5" x 38.5")	35	2
	00PSN000047300A, Lower Right Blank End Grille (Approx. 45" x 27.5")	36	1
	00PSN000047400A, Lower Left Blank End Grille (Approx. 21.25" x 27.5")	37	2
	00PSN500099800A, Middle Control Right Side Grille (Approx. 19.75" x 12.75")	38	1
	00PSN000047700A, Lower Left Control End Grille (Approx. 45" x 27.5")	39	1
	00PSN000046800A, Top Control End Grille (Approx. 35.5" x 22")	40	2
	00PSN000047600A, Condenser Opening Grille (Triangular)	41	16
	00PSN500061800A, Middle Control Right Side Support (Approx. 26.5" x 3.75")	44	1
	00PPG000000701A, 801A, Grille Male/Female Fastener	—	182 each
	00PPN500000401A, M4.8 Sheet Metal Screw	—	38
00PPN500000302A, M6 Sheet Metal Screw	—	23	

Table 12 — Accessory Package Contents, 30XA080,082 Units

PART NO.	ITEM PART NO. AND DESCRIPTION	ITEM NO.	QTY USED
00EFN900002503A (See Fig. 11)	00PSN000049600A, Compressor Side Right Support (Approx. 63" long)	6	1
	00PSN000048500A, Compressor Side Left Support (Approx. 59" long)	10	1
	00PSN500155600A, Compressor Side Center Lower Grille (Approx. 45" x 31.5")	15	1
	00PSN000049700A, Cooler Side Left Support (Approx. 60.25" long)	20	1
	00PSN000049800A, Cooler Side Right Support (Approx. 60.25" long)	23	1
	00PSN000048700A, Condenser End Top Support (Approx. 71.25" long)	25	2
	00PSN000049100A, Middle Support at Blank End (Approx. 72.75" long)	26	1
	00PSN500159100A, Top Control Panel Support (Approx. 73.5" long)	27	1
	00PSN000049300A, Lower Control Panel Support (Approx. 50.5" long)	28	1
	00PSN500156200A, Compressor Side Left Lower Grille (Approx. 37.75" x 31.5")	30	1
	00PSN000101400A, Cooler Side Outside Lower Grille (Approx. 49.75" x 31.5")	34	2
	00PSN000046900A, Upper Blank End Grille (Approx. 35.5" x 38.5")	35	2
	00PSN000047300A, Lower Right Blank End Grille (Approx. 45" x 27.5")	36	1
	00PSN000047400A, Lower Left Blank End/Lower Right Control End Grille (Approx. 21.25" x 27.5")	37	2
	00PSN500099800A, Middle Control Right Side Grille (Approx. 19.75" x 12.75")	38*	1
	00PSN500155800A, Lower Left Control End Grille (Approx. 45" x 11")	39	1
	00PSN000046800A, Top Control End Grille (Approx. 35.5" x 22")	40	2
	00PSN000047600A, Condenser Opening Grille (Triangular)	41	4
	00PSN000101900A, Cooler Side Center Lower Grille (Approx. 21.25" x 31.5")	42	1
	00PSN500061800A, Middle Control Right Side Support (Approx. 26.5" x 3.75")	44	1
	00PSN500156300A, Compressor Side Right Lower Grille (Approx. 37.75" x 31.5")	45	1
	00PPG000000701A, 801A, Grille Male/Female Fastener	—	69 each
00PPN500000401A, M4.8 Sheet Metal Screw	—	26	
00PPN500000302A, M6 Sheet Metal Screw	—	12	

*Item 38 used on all voltages except 200/230v.

Table 13 — Accessory Package Contents, 30XA090-122 Units

PART NO.	ITEM PART NO. AND DESCRIPTION	ITEM NO.	QTY USED
00EFN900002504A (See Fig. 12)	00PSN000048400A, Compressor Side Support (Approx. 82.75" long)	7	2
	00PSN500156400A, Compressor Side Left Lower Grille (Approx. 37.75" x 31.5")	17	1
	00PSN500156800A, Comp Side Right Center Lower Grille (Approx. 45" x 31.5")	18	1
	00PSN500161300A, Cooler Side Right Support (Approx. 107.25" long)	19	1
	00PSN000049700A, Cooler Side Left Support (Approx. 59" long)	20	1
	00PSN500156700A, Comp Side Left Center Lower Grille (Approx. 45" x 31.5")	24	1
	00PSN000048700A, Condenser End Top Support (Approx. 71.25" long)	25	2
	00PSN000049100A, Middle Support at Blank End (Approx. 72.75" long)	26	1
	00PSN500159100A, Top Control Panel Support (Approx. 73.5" long)	27	1
	00PSN000049300A, Lower Control Panel Support (Approx. 50.5" long)	28	1
	00PSN000101500A, Cooler Side Center Lower Grille (Approx. 45" x 31.5")	29	1
	00PSN500156500A, Compressor Side Right Lower Grille (Approx. 37.75" x 31.5")	31	1
	00PSN000101400A, Cooler Side Outside Lower Grille (Approx. 49.75" x 31.5")	34	2
	00PSN000046900A, Upper Blank End Grille (Approx. 35.5" x 38.5")	35	2
	00PSN000047300A, Lower Right Blank End Grille (Approx. 45" x 27.5")	36	1
	00PSN000047400A, Lower Left Blank End/Lower Right Control End Grille (Approx. 21.25" x 27.5")	37	2
	00PSN500099800A, Middle Control Right Side Grille (Approx. 19.75" x 12.75")	38*	1
	00PSN500155800A, Lower Left Control End Grille (Approx. 45" x 11")	39	1
	00PSN000046800A, Top Control End Grille (Approx. 35.5" x 22")	40	2
	00PSN000047600A, Condenser Opening Grille (Triangular)	41	6
	00PSN000101900A, Cooler Side Center Lower Grille (Approx. 21.25" x 31.5")	42	1
	00PSN500061800A, Middle Control Right Side Support (Approx. 26.5" x 3.75")	44	1
	00PPG000000701A, 801A, Grille Male/Female Fastener	—	87 each
	00PPN500000401A, M4.8 Sheet Metal Screw	—	28
00PPN500000302A, M6 Sheet Metal Screw	—	14	

*Item 38 used on all voltages except 200/230v.

Table 14 — Accessory Package Contents, 30XA140-162 Units

PART NO.	ITEM PART NO. AND DESCRIPTION	ITEM NO.	QTY USED
00EFN900002505A (See Fig. 13)	00PSN000047700A, Lower Left Control End Grille (Approx. 45" x 27.5")	1	1
	00PSN000048900A, Compressor Side Left Support (Approx. 82.75" long)	2	1
	00PSN000050100A, Compressor Side Right Support (Approx. 59" long)	9	1
	00PSN500161200A, Cooler Side Right Support (Approx. 87.25" long)	16	1
	00PSN500156400A, Compressor Side Left Lower Grille (Approx. 37.75" x 31.5")	17	1
	00PSN000049700A, Cooler Side Left Support (Approx. 59" long)	20	1
	00PSN500061700A, Middle Control End Grille (Approx. 47.25" x 12.75")	21	1
	00PSN500159800A, Comp Side Right Center Lower Grille (Approx. 21.25" x 31.5")	22	1
	00PSN000049800A, Cooler Side Right Support (Approx. 60.25" long)	23	1
	00PSN500156700A, Comp Side Left Center Lower Grille (Approx. 45" x 31.5")	24	1
	00PSN000048700A, Condenser End Top Support (Approx. 71.25" long)	25	2
	00PSN000049100A, Middle Support at Blank End (Approx. 72.75" long)	26	1
	00PSN500159100A, Top Control Panel Support (Approx. 73.5" long)	27	1
	00PSN000049300A, Lower Control Panel Support (Approx. 50.5" long)	28	1
	00PSN000101500A, Cooler Side Center Lower Grille (Approx. 45" x 31.5")	29	1
	00PSN000101400A, Cooler Side Outside Lower Grille (Approx. 49.75" x 31.5")	34	2
	00PSN000046900A, Upper Blank End Grille (Approx. 35.5" x 38.5")	35	2
	00PSN000047300A, Lower Right Blank End Grille (Approx. 45" x 27.5")	36	1
	00PSN000047400A, Lower Left Blank End Grille (Approx. 21.25" x 27.5")	37	2
	00PSN500099800A, Middle Control Right Side Grille (Approx. 19.75" x 12.75")	38	1
	00PSN000046800A, Top Control End Grille (Approx. 35.5" x 22")	40	2
	00PSN000047600A, Condenser Opening Grille (Triangular)	41	8
	00PSN000101900A, Cooler Side Left/Right Center Lower Grille (Approx. 21.25" x 31.5")	42	3
	00PSN500061800A, Middle Control Right Side Support (Approx. 26.5" x 3.75")	44	1
00PSN500156300A, Compressor Side Right Lower Grille (Approx. 37.75" x 31.5")	45	1	
00PPG000000701A, 801A, Grille Male/Female Fastener	—	105 each	
00PPN500000401A, M4.8 Sheet Metal Screw	—	30	
00PPN500000302A, M6 Sheet Metal Screw	—	11	

Table 15 — Accessory Package Contents, 30XA180-202 Units

PART NO.	ITEM PART NO. AND DESCRIPTION	ITEM NO.	QTY USED
00EFN900002506A (See Fig. 14)	00PSN000047700A, Lower Left Control End Grille (Approx. 45" x 27.5")	1	1
	00PSN000048400A, Compressor Side Support (Approx. 82.75" long)	7	2
	00PSN500160500A, Pump/Nozzle Side Center Support (Approx. 22" long)	8	1
	00PSN500161200A, Cooler Side Center Support (Approx. 87.25" long)	16	1
	00PSN500156400A, Compressor Side Left Lower Grille (Approx. 37.75" x 31.5")	17	1
	00PSN500156800A, Comp Side Right Center Lower Grille (Approx. 45" x 31.5")	18	1
	00PSN500161300A, Cooler Side Right Support (Approx. 107.25" long)	19	1
	00PSN000049700A, Cooler Side Left Support (Approx. 59" long)	20	1
	00PSN5000061700A, Middle Control End Grille (Approx. 47.25" x 12.75")	21	1
	00PSN500156700A, Comp Side Left Center Lower Grille (Approx. 45" x 31.5")	24	1
	00PSN000048700A, Condenser End Top Support (Approx. 71.25" long)	25	2
	00PSN000049100A, Middle Support at Blank End (Approx. 72.75" long)	26	1
	00PSN500159100A, Top Control Panel Support (Approx. 73.5" long)	27	1
	00PSN000049300A, Lower Control Panel Support (Approx. 50.5" long)	28	1
	00PSN000101500A, Cooler Side Lower Grille (Approx. 45" x 31.5")	29	2
	00PSN500156500A, Compressor Side Right Lower Grille (Approx. 37.75" x 31.5")	31	1
	00PSN000101400A, Cooler Side Outside Lower Grille (Approx. 49.75" x 31.5")	34	2
	00PSN000046900A, Upper Blank End Grille (Approx. 35.5" x 38.5")	35	2
	00PSN000047300A, Lower Right Blank End Grille (Approx. 45" x 27.5")	36	1
	00PSN000047400A, Lower Left Blank End Grille (Approx. 21.25" x 27.5")	37	2
	00PSN500099800A, Middle Control Right Side Grille (Approx. 19.75" x 12.75")	38	1
	00PSN000047700A, Lower Left Control End Grille (Approx. 45" x 27.5")	39	1
	00PSN000046800A, Top Control End Grille (Approx. 35.5" x 22")	40	2
	00PSN000047600A, Condenser Opening Grille (Triangular)	41	10
	00PSN000101900A, Comp/Cooler Side Lower Grille (Approx. 21.25" x 31.5")	42	4
	00PSN500061800A, Middle Control Right Side Support (Approx. 26.5" x 3.75")	44	1
	00PPG000000701A, 801A, Grille Male/Female Fastener	—	123 each
00PPN500000401A, M4.8 Sheet Metal Screw	—	32	
00PPN500000302A, M6 Sheet Metal Screw	—	14	

Table 16 — Accessory Package Contents, 30XA220-242 Units

PART NO.	ITEM PART NO. AND DESCRIPTION	ITEM NO.	QTY USED
00EFN900002507A (See Fig. 15)	00PSN000047700A, Lower Left Control End Grille (Approx. 45" x 27.5")	1	1
	00PSN000048400A, Compressor Side Left/Right Support (Approx. 82.75" long)	7	2
	00PSN000050100A, Compressor Side Right Center Support (Approx. 59" long)	9*	1
	00PSN000100200A, Comp Side Right Center Lower Grille (Approx. 38" x 31.5")	11*	1
	00PSN500161200A, Cooler Side Center Support (Approx. 87.25" long)	16	2
	00PSN500156400A, Compressor Side Left Lower Grille (Approx. 37.75" x 31.5")	17	1
	00PSN500156800A, Comp Side Right Center Lower Grille (Approx. 45" x 31.5")	18	1
	00PSN000049700A, Cooler Side Left Support (Approx. 59" long)	20	1
	00PSN500061700A, Middle Control End Grille (Approx. 47.25" x 12.75")	21	1
	00PSN000049800A, Cooler Side Right Support (Approx. 60.25" long)	23	1
	00PSN500156700A, Comp Side Left Center Lower Grille (Approx. 45" x 31.5")	24	1
	00PSN000048700A, Condenser End Top Support (Approx. 71.25" long)	25	2
	00PSN000049100A, Middle Support at Blank End (Approx. 72.75" long)	26	1
	00PSN500159100A, Top Control Panel Support (Approx. 73.5" long)	27	1
	00PSN000049300A, Lower Control Panel Support (Approx. 50.5" long)	28	1
	00PSN000101500A, Cooler Side Lower Grille (Approx. 45" x 31.5")	29	2
	00PSN500156500A, Compressor Side Right Lower Grille (Approx. 37.75" x 31.5")	31	1
	00PSN000101400A, Cooler Side Outside Lower Grille (Approx. 49.75" x 31.5")	34	2
	00PSN000046900A, Upper Blank End Grille (Approx. 35.5" x 38.5")	35	2
	00PSN000047300A, Lower Right Blank End Grille (Approx. 45" x 27.5")	36	1
	00PSN000047400A, Lower Left Blank End Grille (Approx. 21.25" x 27.5")	37	2
	00PSN500099800A, Middle Control Right Side Grille (Approx. 19.75" x 12.75")	38	1
	00PSN000046800A, Top Control End Grille (Approx. 35.5" x 22")	40	2
	00PSN000047600A, Condenser Opening Grille (Triangular)	41	12
	00PSN000101900A, Comp/Cooler Side Lower Grille (Approx. 21.25" x 31.5")	42*	6
	00PSN500061800A, Middle Control Right Side Support (Approx. 26.5" x 3.75")	44	1
	00PPG000000701A, 801A, Grille Male/Female Fastener	—	142 each
00PPN500000401A, M4.8 Sheet Metal Screw	—	34	
00PPN500000302A, M6 Sheet Metal Screw	—	15	

*Items 9 and 11 not used on 200/230-volt units or 460 and 575-volt units with the high short circuit current rating (SCCR) option. Refer to Fig. 15 for use of item 42.

Table 17 — Accessory Package Contents, 30XA260-302 Units without High SCCR Option

PART NO.	ITEM PART NO. AND DESCRIPTION	ITEM NO.	QTY USED
00EFN900002508A (See Fig. 16)	00PSN000047700A, Lower Left Control End Grille (Approx. 45" x 27.5")	1	1
	00PSN000049000A, Compressor Side Right Center Support (Approx. 88.5" long)	3	1
	00PSN000048400A, Compressor Side Left/Right Support (Approx. 82.75" long)	7	2
	00PSN000100200A, Compressor Side Right Lower Grille (Approx. 38" x 31.5")	11	1
	00PSN500161200A, Cooler Side Center Support (Approx. 87.25" long)	16	2
	00PSN500156400A, Compressor Side Lower Grille (Approx. 37.75" x 31.5")	17	2
	00PSN500161300A, Cooler Side Right Support (Approx. 107.25" long)	19	1
	00PSN000049700A, Cooler Side Left Support (Approx. 59" long)	20	1
	00PSN500061700A, Middle Control End Grille (Approx. 47.25" x 12.75")	21	1
	00PSN500156700A, Comp Side Right/Left Lower Grille (Approx. 45" x 31.5")	24	2
	00PSN000048700A, Condenser End Top Support (Approx. 71.25" long)	25	2
	00PSN000049100A, Middle Support at Blank End (Approx. 72.75" long)	26	1
	00PSN500159100A, Top Control Panel Support (Approx. 73.5" long)	27	1
	00PSN000049300A, Lower Control Panel Support (Approx. 50.5" long)	28	1
	00PSN000101500A, Comp/Cooler Side Lower Grille (Approx. 45" x 31.5")	29	4
	00PSN000101400A, Cooler Side Outside Lower Grille (Approx. 49.75" x 31.5")	34	2
	00PSN000046900A, Upper Blank End Grille (Approx. 35.5" x 38.5")	35	2
	00PSN000047300A, Lower Right Blank End Grille (Approx. 45" x 27.5")	36	1
	00PSN000047400A, Lower Left Blank End Grille (Approx. 21.25" x 27.5")	37	2
	00PSN500099800A, Middle Control Right Side Grille (Approx. 19.75" x 12.75")	38	1
	00PSN000046800A, Top Control End Grille (Approx. 35.5" x 22")	40	2
	00PSN000047600A, Condenser Opening Grille (Triangular)	41	14
	00PSN000101900A, Cooler Side Lower Grille (Approx. 21.25" x 31.5")	42	5
	00PSN500061800A, Middle Control Right Side Support (Approx. 26.5" x 3.75")	44	1
	00PPG000000701A, 801A, Grille Male/Female Fastener	—	158 each
	00PPN500000401A, M4.8 Sheet Metal Screw	—	36
00PPN500000302A, M6 Sheet Metal Screw	—	16	

SCCR — Short Circuit Current Rating

Table 18 — Accessory Package Contents, 30XA260-302 Units with High SCCR Option

PART NO.	ITEM PART NO. AND DESCRIPTION	ITEM NO.	QTY USED
00EFN900002511A (See Fig. 17)	00PSN000047700A, Lower Left Control End Grille (Approx. 45" x 27.5")	1	1
	00PSN000049000A, Compressor Side Right Center Support (Approx. 88.5" long)	3	1
	00PSN000048400A, Compressor Side Left/Right Support (Approx. 82.75" long)	7	1
	00PSN500453600A, Compressor Side Right Support (Approx. 37.4" long)	8	1
	00PSN500161200A, Cooler Side Center Support (Approx. 87.25" long)	16	2
	00PSN500156400A, Compressor Side Lower Grille (Approx. 37.75" x 31.5")	17	2
	00PSN500161300A, Cooler Side Right Support (Approx. 107.25" long)	19	1
	00PSN000049700A, Cooler Side Left Support (Approx. 59" long)	20	1
	00PSN500061700A, Middle Control End Grille (Approx. 47.25" x 12.75")	21	1
	00PSN500156700A, Comp Side Right/Left Lower Grille (Approx. 45" x 31.5")	24	1
	00PSN000048700A, Condenser End Top Support (Approx. 71.25" long)	25	2
	00PSN000049100A, Middle Support at Blank End (Approx. 72.75" long)	26	1
	00PSN500159100A, Top Control Panel Support (Approx. 73.5" long)	27	1
	00PSN000049300A, Lower Control Panel Support (Approx. 50.5" long)	28	1
	00PSN000101500A, Comp/Cooler Side Lower Grille (Approx. 45" x 31.5")	29	3
	00PSN000100200A, Compressor Side Right Lower Grille (Approx. 38" x 31.5")	30	2
	00PSN000101400A, Cooler Side Outside Lower Grille (Approx. 49.75" x 31.5")	34	2
	00PSN000046900A, Upper Blank End Grille (Approx. 35.5" x 38.5")	35	2
	00PSN000047300A, Lower Right Blank End Grille (Approx. 45" x 27.5")	36	1
	00PSN000047400A, Lower Left Blank End Grille (Approx. 21.25" x 27.5")	37	2
	00PSN500099800A, Middle Control Right Side Grille (Approx. 19.75" x 12.75")	38	1
	00PSN000046800A, Top Control End Grille (Approx. 35.5" x 22")	40	2
	00PSN000047600A, Condenser Opening Grille (Triangular)	41	14
	00PSN000101900A, Cooler Side Lower Grille (Approx. 21.25" x 31.5")	42	5
	00PSN500061800A, Middle Control Right Side Support (Approx. 26.5" x 3.75")	44	1
	00PPG000000701A, 801A, Grille Male/Female Fastener	—	158 each
00PPN500000401A, M4.8 Sheet Metal Screw	—	36	
00PPN500000302A, M6 Sheet Metal Screw	—	16	

SCCR — Short Circuit Current Rating

Table 19 — Accessory Package Contents, 30XA325-352 Units without High SCCR Option

PART NO.	ITEM PART NO. AND DESCRIPTION	ITEM NO.	QTY USED
00EFN900002509A (See Fig. 18)	00PSN000047700A, Lower Left Control End Grille (Approx. 45" x 27.5")	1	1
	00PSN500031800A, Compressor Side Center Support (Approx. 43.25" long)	4	1
	00PSN500031700A, Compressor Side Right Center Support (Approx. 65.75" long)	5	1
	00PSN000049600A, Compressor Side Right Support (Approx. 63" long)	6	1
	00PSN000048400A, Compressor Side Left Support (Approx. 82.75" long)	7	1
	00PSN000100200A, Comp Side Right Center Lower Grille (Approx. 38" x 31.5")	11	1
	00PSN500161200A, Cooler Side Center Support (Approx. 87.25" long)	16	3
	00PSN500156400A, Compressor Side Left Lower Grille (Approx. 37.75" x 31.5")	17	1
	00PSN500156800A, Comp Side Right Center Lower Grille (Approx. 45" x 31.5")	18	1
	00PSN000049700A, Cooler Side Left Support (Approx. 59" long)	20	1
	00PSN500061700A, Middle Control End Grille (Approx. 47.25" x 12.75")	21	1
	00PSN000049800A, Cooler Side Right Support (Approx. 60.25" long)	23	1
	00PSN500156700A, Comp Side Left Center Lower Grille (Approx. 45" x 31.5")	24	1
	00PSN000048700A, Condenser End Top Support (Approx. 71.25" long)	25	2
	00PSN000049100A, Middle Support at Blank End (Approx. 72.75" long)	26	1
	00PSN500159100A, Top Control Panel Support (Approx. 73.5" long)	27	1
	00PSN000049300A, Lower Control Panel Support (Approx. 50.5" long)	28	1
	00PSN000101500A, Comp/Cooler Side Lower Grille (Approx. 45" x 31.5")	29	4
	00PSN500156500A, Compressor Side Right Lower Grille (Approx. 37.75" x 31.5")	31	1
	00PSN500160400A, Compressor Side Center Support (Approx. 41.25" long)	32	1
	00PSN000101400A, Cooler Side Outside Lower Grille (Approx. 49.75" x 31.5")	34	2
	00PSN000046900A, Upper Blank End Grille (Approx. 35.5" x 38.5")	35	2
	00PSN000047300A, Lower Right Blank End Grille (Approx. 45" x 27.5")	36	1
	00PSN000047400A, Lower Left Blank End Grille (Approx. 21.25" x 27.5")	37	2
	00PSN500099800A, Middle Control Right Side Grille (Approx. 19.75" x 12.75")	38	1
	00PSN000046800A, Top Control End Grille (Approx. 35.5" x 22")	40	2
	00PSN000047600A, Condenser Opening Grille (Triangular)	41	16
	00PSN000101900A, Comp/Cooler Side Lower Grille (Approx. 21.25" x 31.5")	42	7
	00PSN500061800A, Middle Control Right Side Support (Approx. 26.5" x 3.75")	44	1
	00PPG000000701A, 801A, Grille Male/Female Fastener	—	177 each
00PPN500000401A, M4.8 Sheet Metal Screw	—	38	
00PPN500000302A, M6 Sheet Metal Screw	—	18	

SCCR — Short Circuit Current Rating

Table 20 — Accessory Package Contents, 30XA325-352 Units with High SCCR Option

PART NO.	ITEM PART NO. AND DESCRIPTION	ITEM NO.	QTY USED
00EFN900002512A (See Fig. 19)	00PSN000047700A, Lower Left Control End Grille (Approx. 45" x 27.5")	1	1
	00PSN500031800A, Compressor Side Center Support (Approx. 43.25" long)	4	1
	00PSN500031700A, Compressor Side Right Center Support (Approx. 65.75" long)	5	1
	00PSN000049600A, Compressor Side Right Support (Approx. 63" long)	6	1
	00PSN000048400A, Compressor Side Left Support (Approx. 82.75" long)	7	1
	00PSN500453500A, Compressor Side Lower Grille (Approx. 23.62" x 31.5")	10	1
	00PSN500161200A, Cooler Side Left Support (Approx. 87.25" long)	16	3
	00PSN500156400A, Compressor Side Left Lower Grille (Approx. 37.75" x 31.5")	17	1
	00PSN500156800A, Comp Side Right Center Lower Grille (Approx. 45" x 31.5")	18	1
	00PSN000049700A, Cooler Side Left Support (Approx. 59" long)	20	1
	00PSN500061700A, Middle Control End Grille (Approx. 47.25" x 12.75")	21	1
	00PSN000049800A, Cooler Side Right Support (Approx. 60.25" long)	23	1
	00PSN500156700A, Comp Side Left Center Lower Grille (Approx. 45" x 31.5")	24	1
	00PSN000048700A, Condenser End Top Support (Approx. 71.25" long)	25	2
	00PSN000049100A, Middle Support at Blank End (Approx. 72.75" long)	26	1
	00PSN500159100A, Top Control Panel Support (Approx. 73.5" long)	27	1
	00PSN000049300A, Lower Control Panel Support (Approx. 50.5" long)	28	1
	00PSN000101500A, Comp/Cooler Side Lower Grille (Approx. 45" x 31.5")	29	3
	00PSN000100200A, Comp Side Right Center Lower Grille (Approx. 38" x 31.5")	30	1
	00PSN500156500A, Compressor Side Right Lower Grille (Approx. 37.75" x 31.5")	31	1
	00PSN500160400A, Compressor Side Center Support (Approx. 41.25" long)	32	1
	00PSN000101400A, Cooler Side Outside Lower Grille (Approx. 49.75" x 31.5")	34	2
	00PSN000046900A, Upper Blank End Grille (Approx. 35.5" x 38.5")	35	2
	00PSN000047300A, Lower Right Blank End Grille (Approx. 45" x 27.5")	36	1
	00PSN000047400A, Lower Left Blank End Grille (Approx. 21.25" x 27.5")	37	2
	00PSN500099800A, Middle Control Right Side Grille (Approx. 19.75" x 12.75")	38	1
	00PSN000046800A, Top Control End Grille (Approx. 35.5" x 22")	40	2
	00PSN000047600A, Condenser Opening Grille (Triangular)	41	16
	00PSN000101900A, Comp/Cooler Side Lower Grille (Approx. 21.25" x 31.5")	42	7
	00PSN500061800A, Middle Control Right Side Support (Approx. 26.5" x 3.75")	44	1
00PPG000000701A, 801A, Grille Male/Female Fastener	—	177 each	
00PPN500000401A, M4.8 Sheet Metal Screw	—	38	
00PPN500000302A, M6 Sheet Metal Screw	—	18	

SCCR — Short Circuit Current Rating

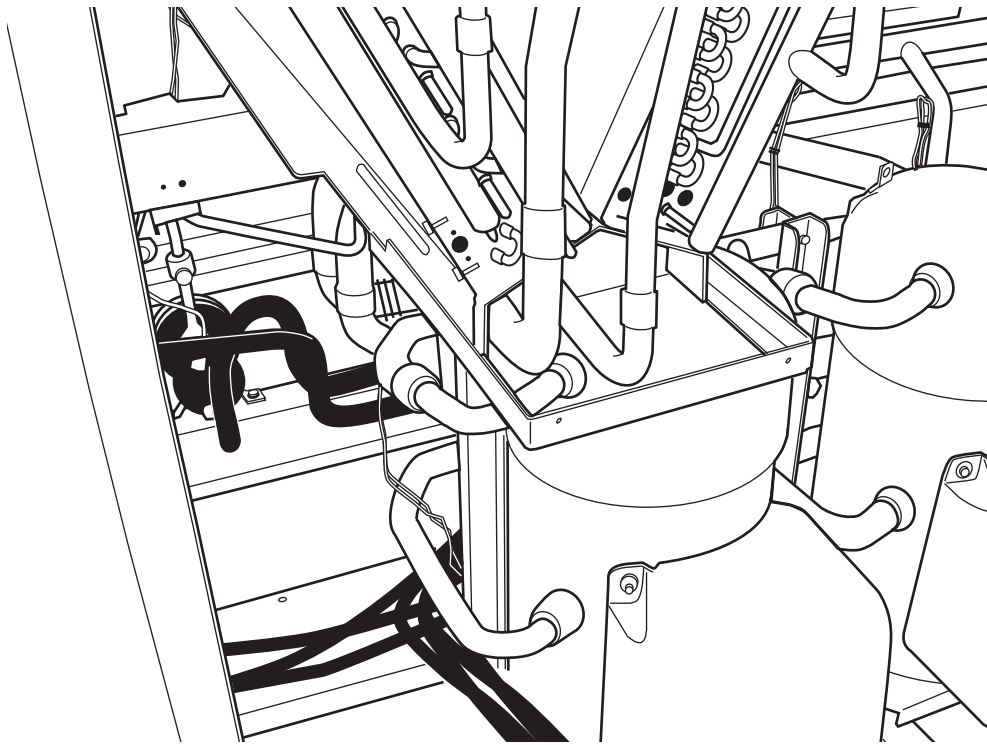


Fig. 1 — Condenser Trim Panel Removed for Support Installation (30RB Unit Shown)

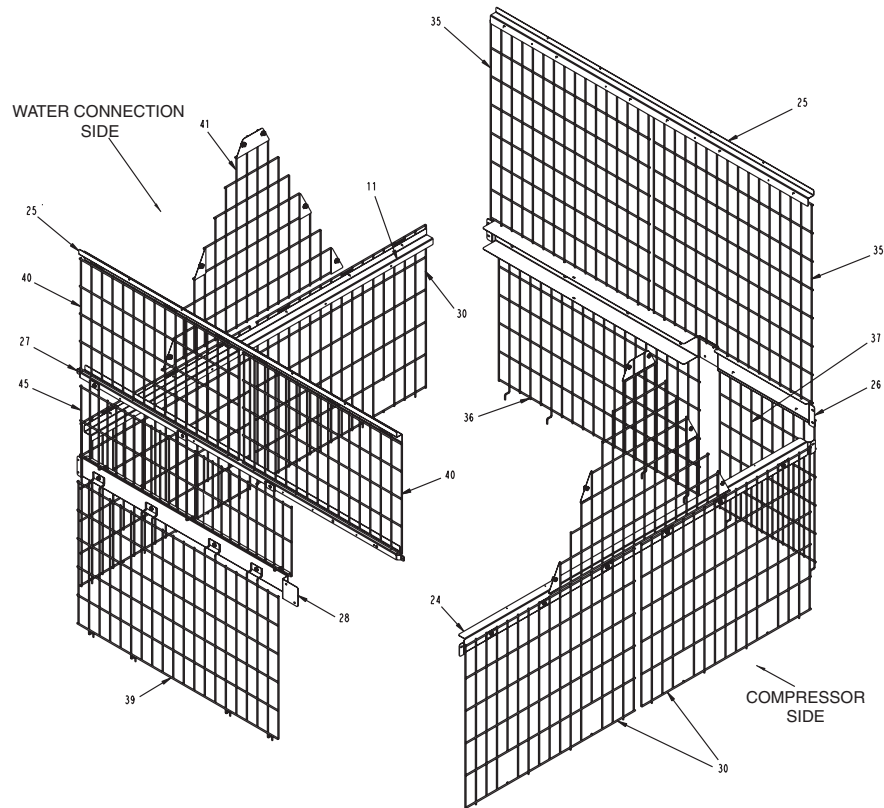


Fig. 2 — Metal Support and Grille Placement, 30RB060-080

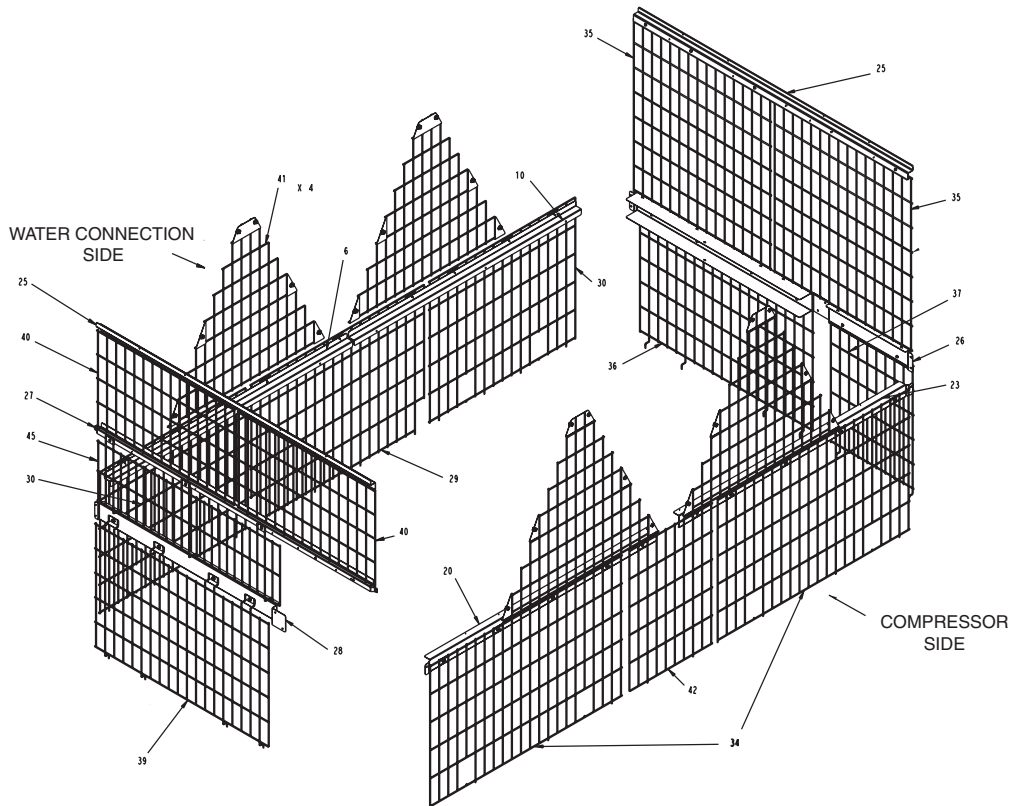


Fig. 3 — Metal Support and Grille Placement, 30RB090-110

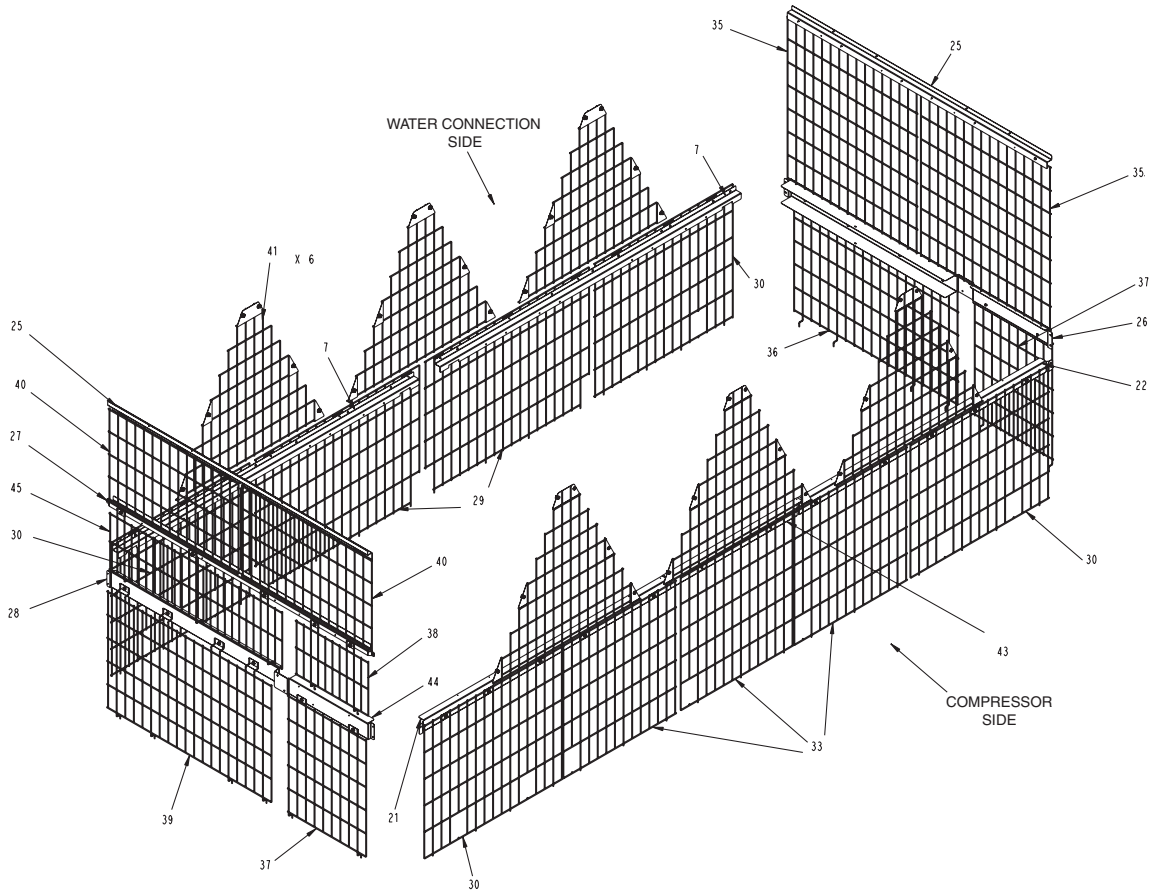


Fig. 4 — Metal Support and Grille Placement, 30RB120-150

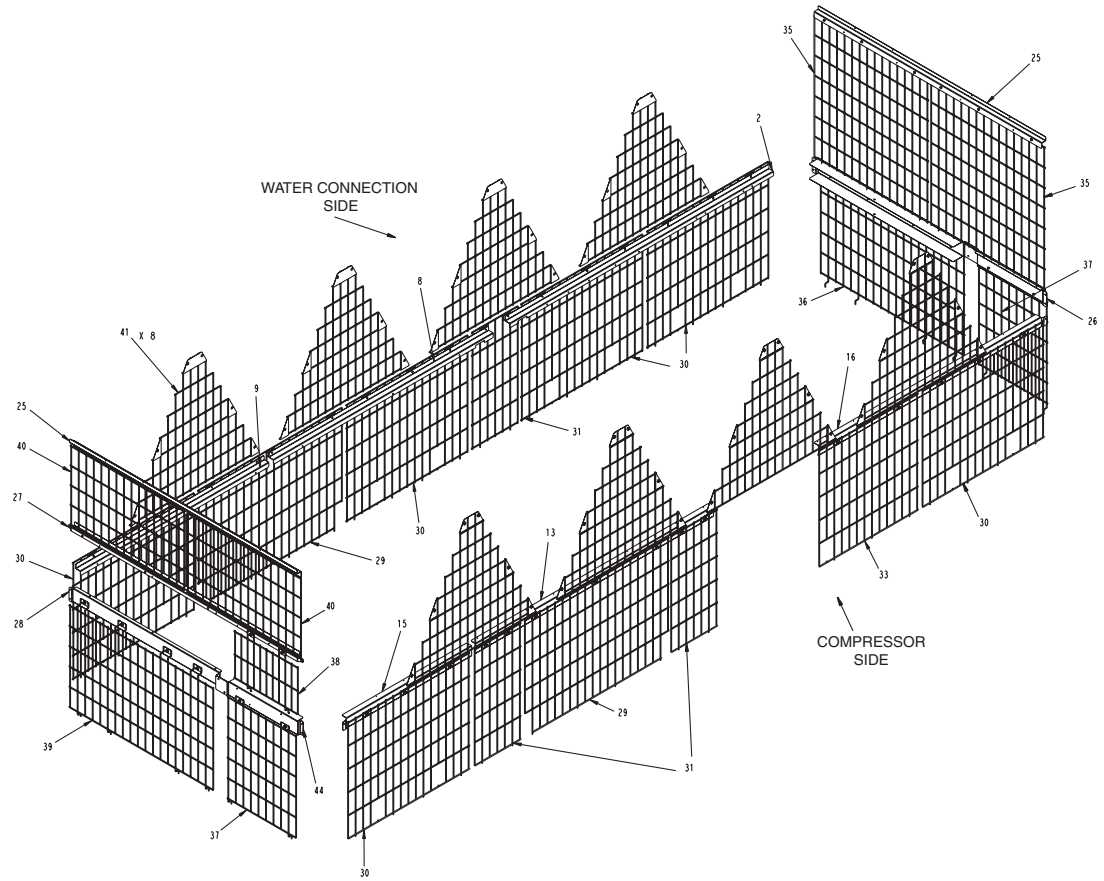


Fig. 5 — Metal Support and Grille Placement, 30RB160,170,315A/B,330A/B,345A/B,360B

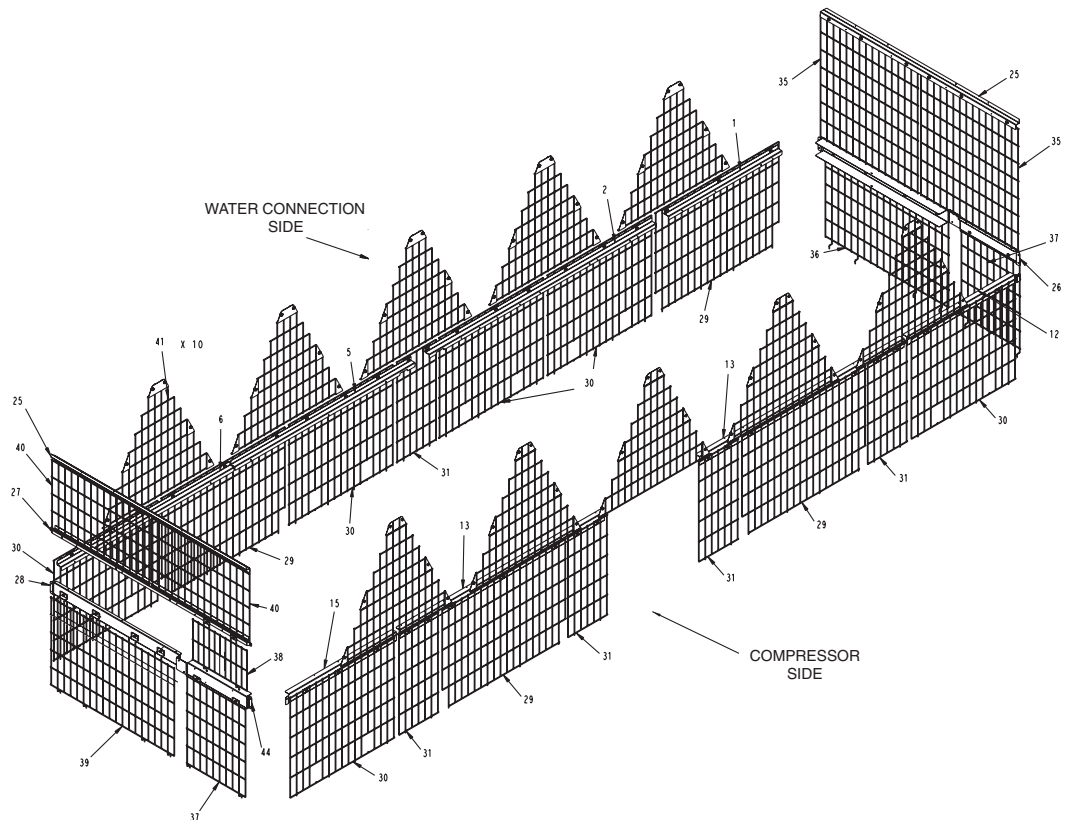


Fig. 6 — Metal Support and Grille Placement, 30RB190,360A,390A/B

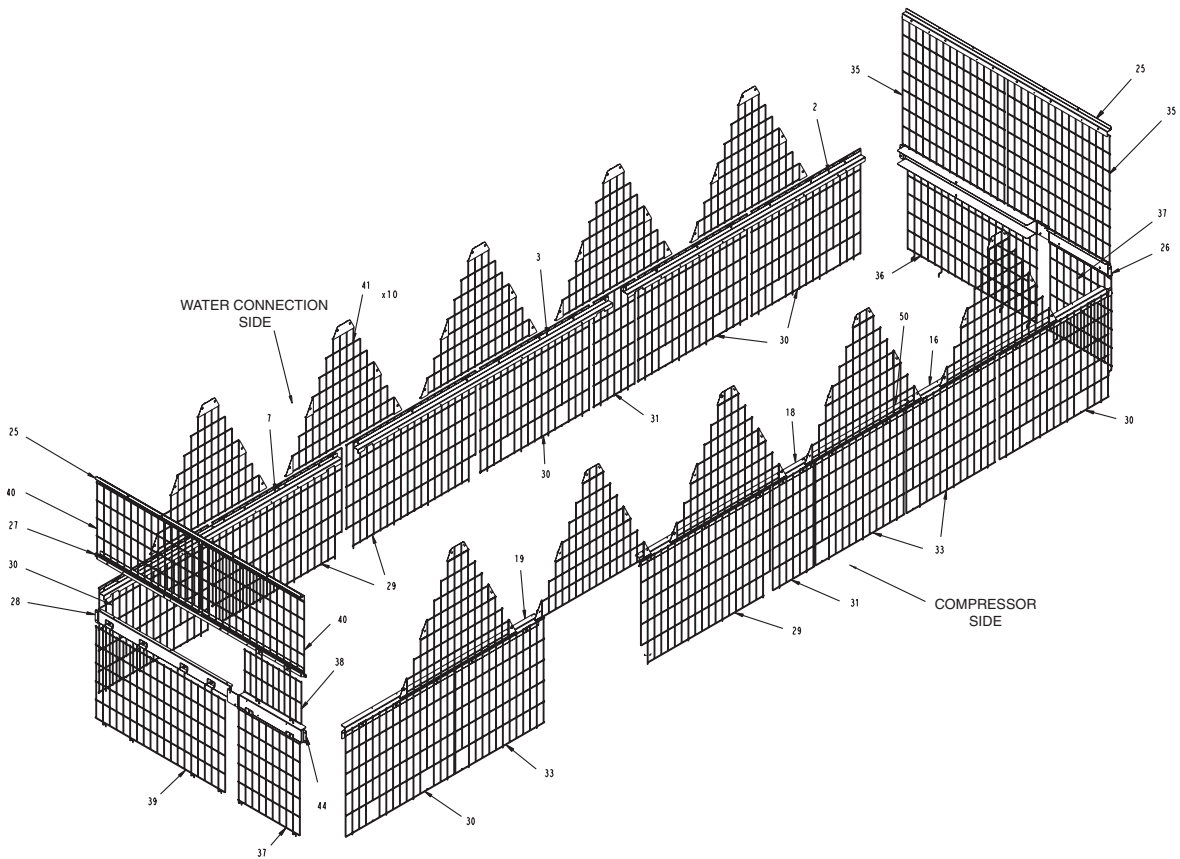


Fig. 7 — Metal Support and Grille Placement, 30RB210,225

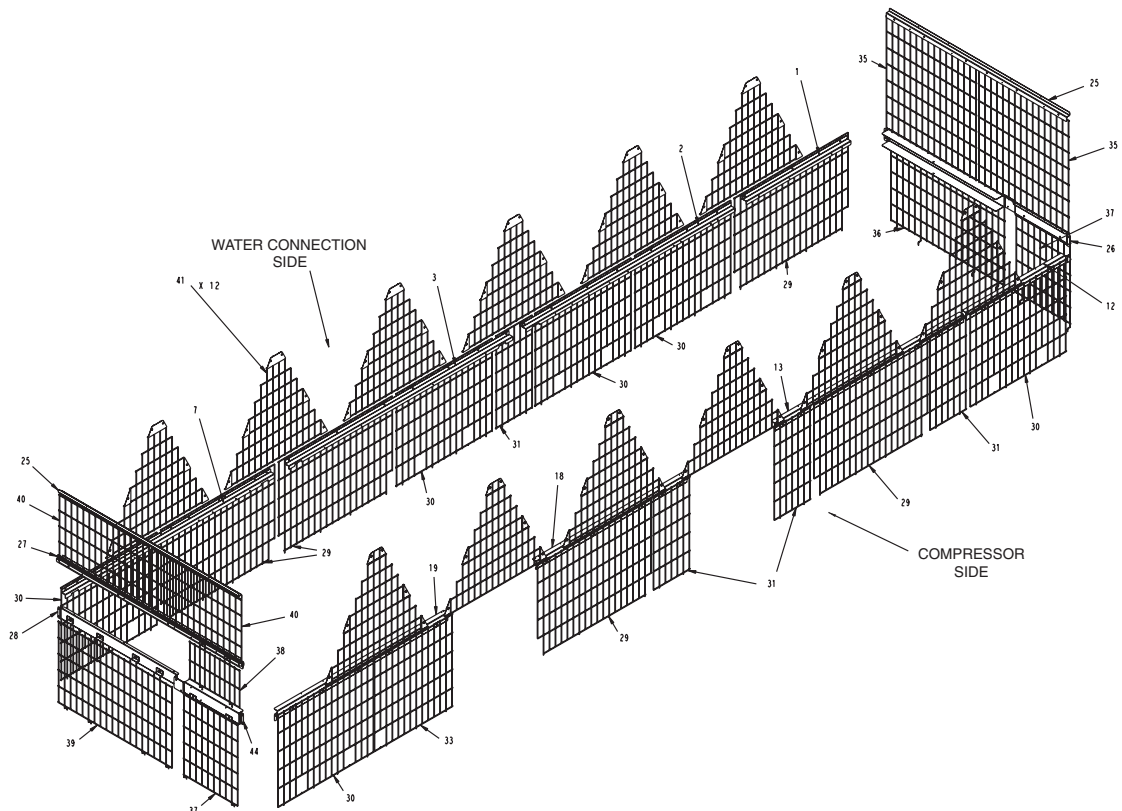


Fig. 8 — Metal Support and Grille Placement, 30RB250

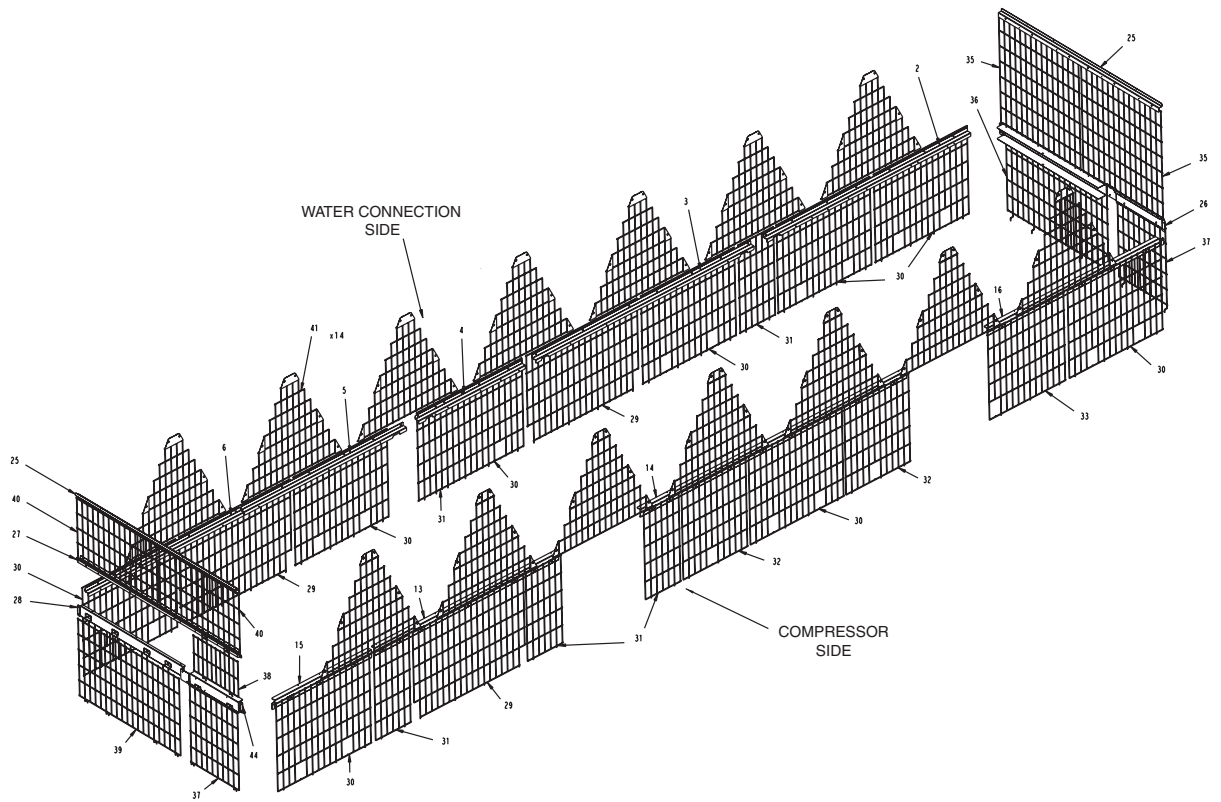


Fig. 9 — Metal Support and Grille Placement, 30RB275

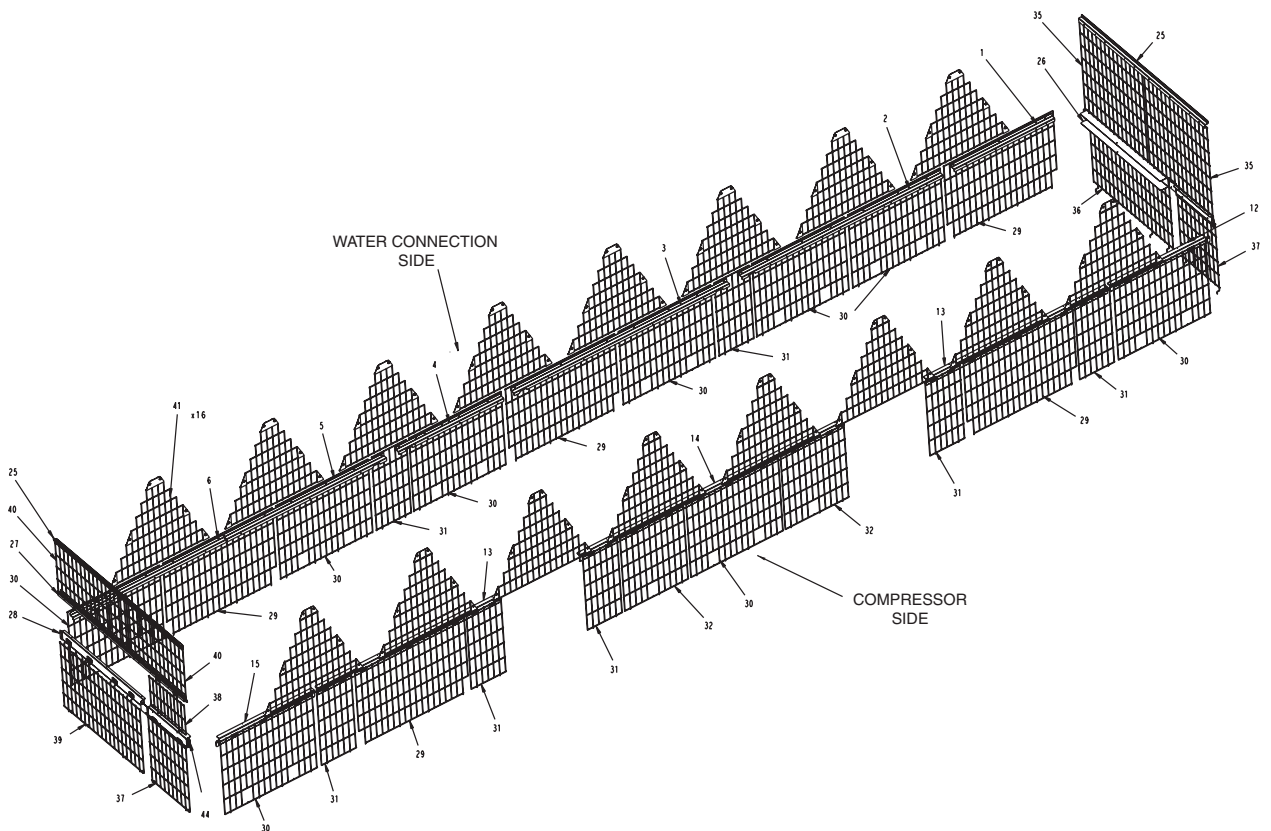
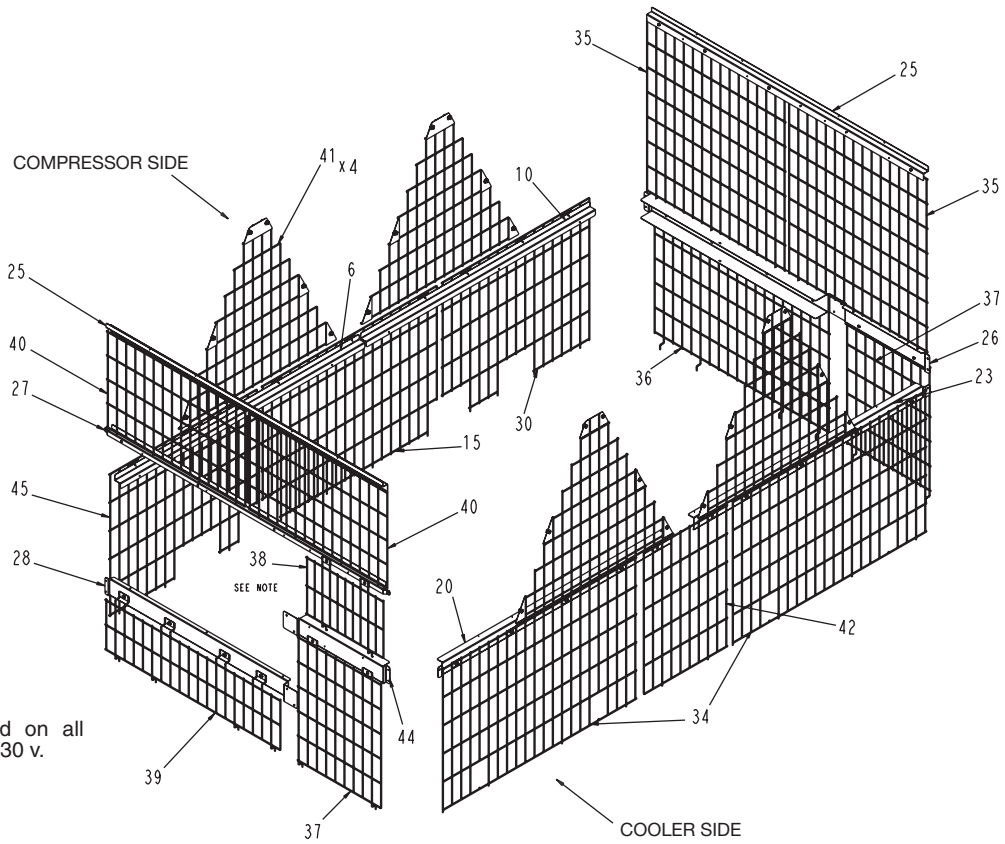
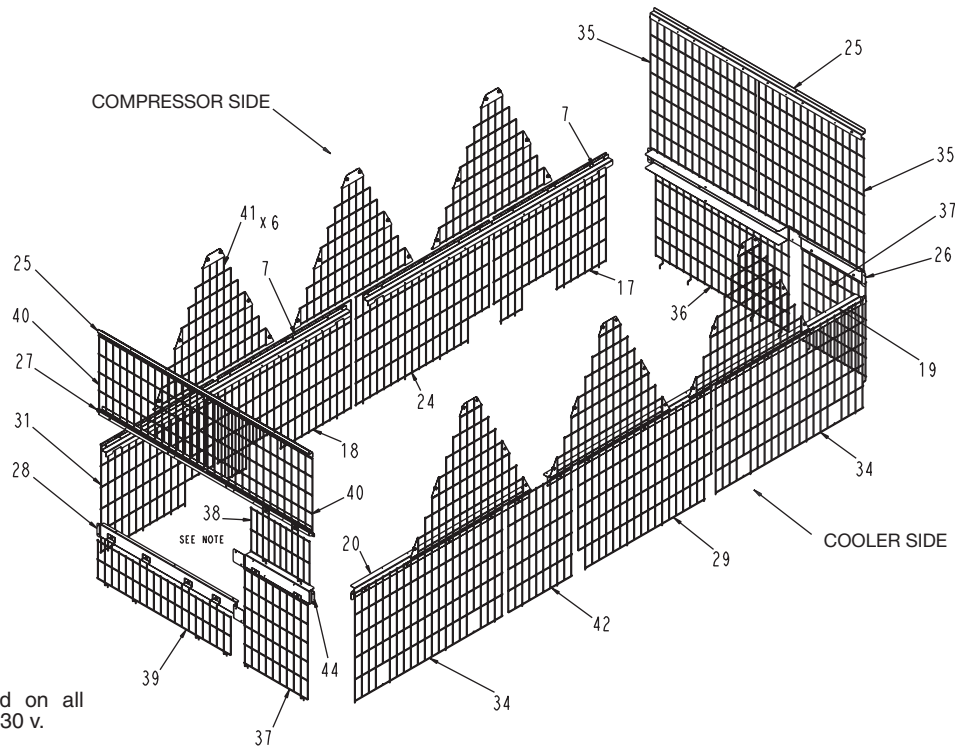


Fig. 10 — Metal Support and Grille Placement, 30RB300



NOTE: Item 38 used on all voltages except 200/230 v.

Fig. 11 — Metal Support and Grille Placement, 30XA080,082



NOTE: Item 38 used on all voltages except 200/230 v.

Fig. 12 — Metal Support and Grille Placement, 30XA090-122

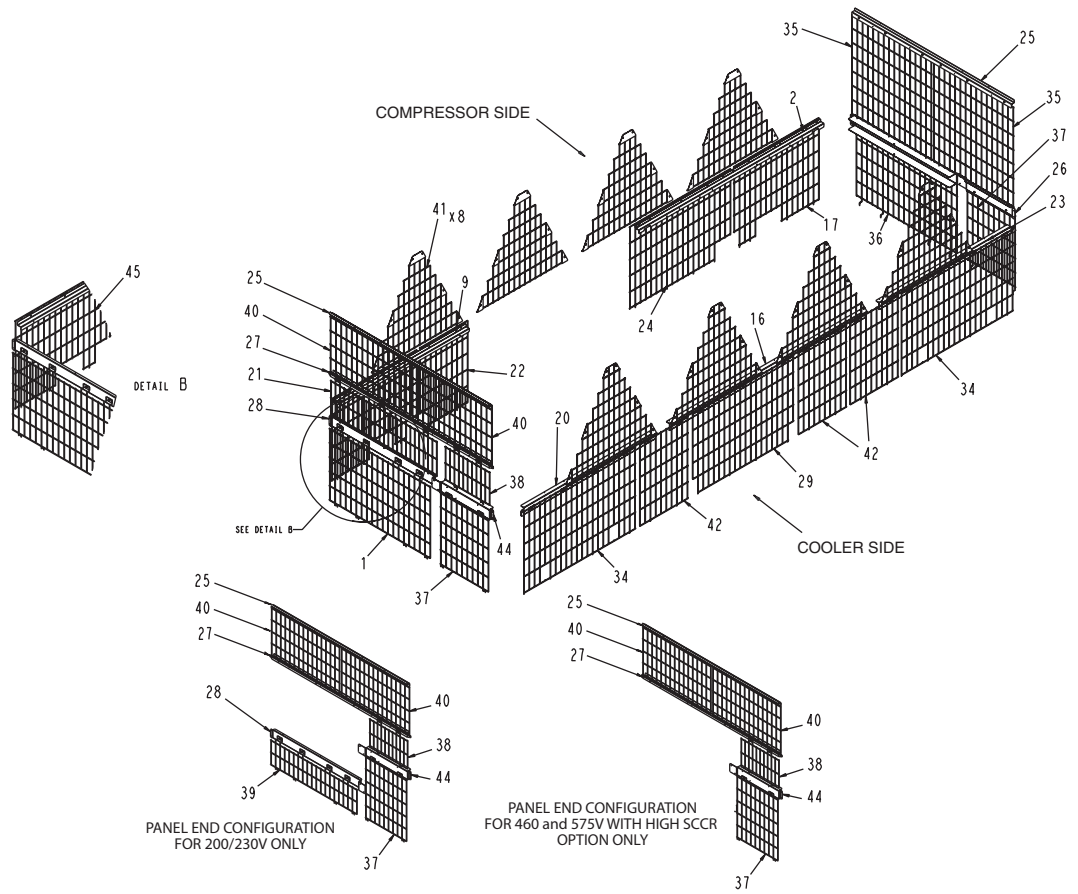


Fig. 13 — Metal Support and Grille Placement, 30XA140-162

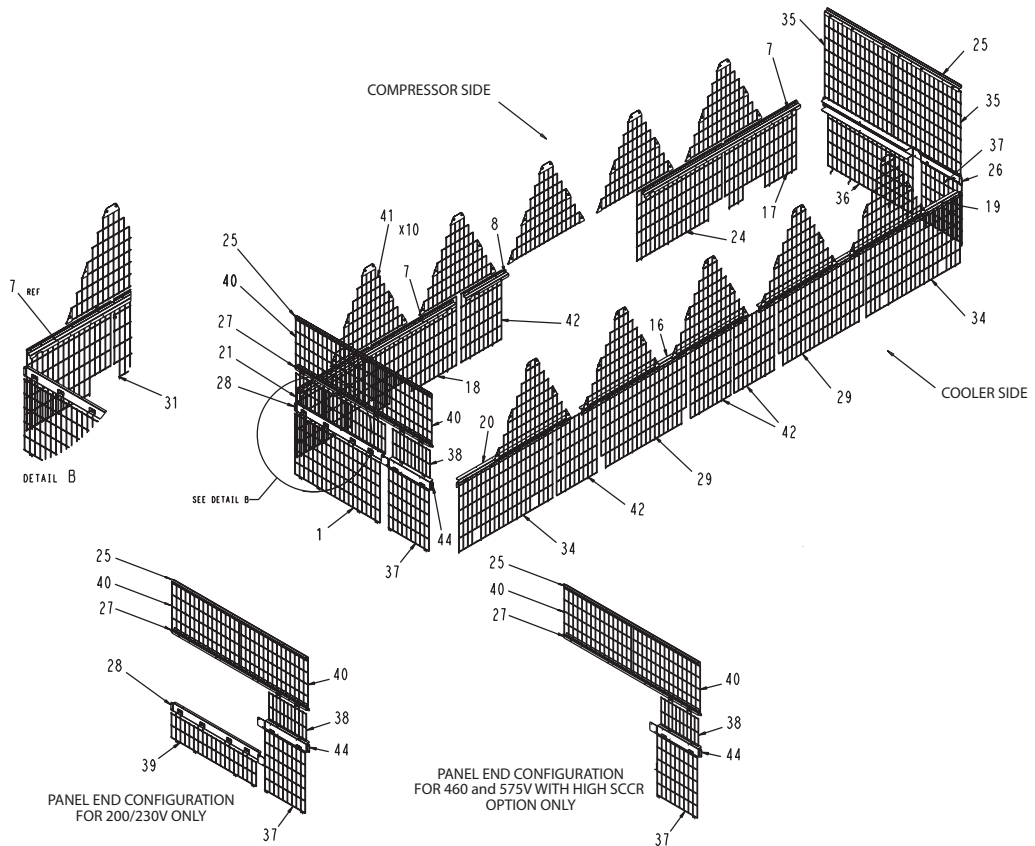


Fig. 14 — Metal Support and Grille Placement, 30XA180-202

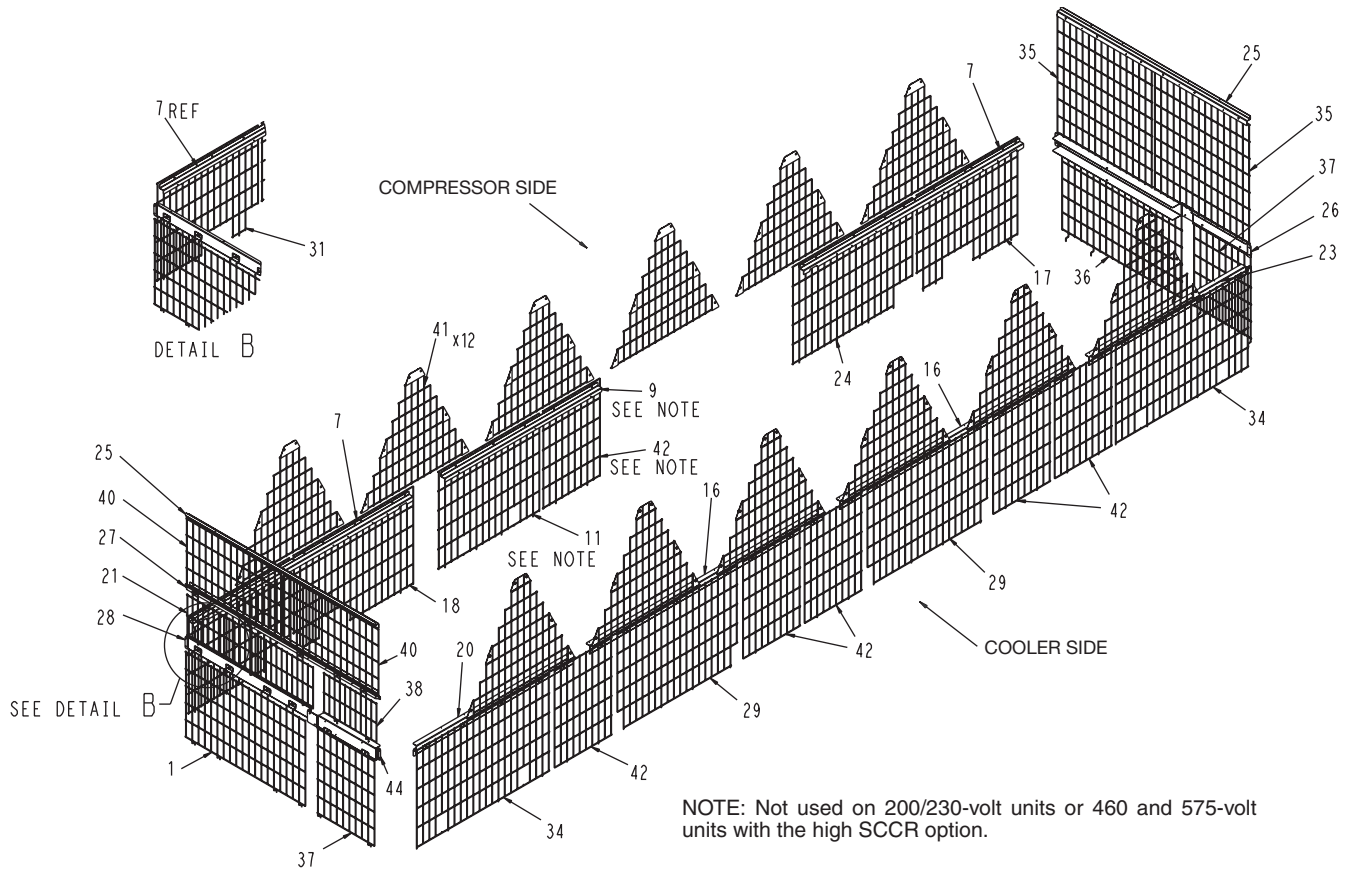


Fig. 15 — Metal Support and Grille Placement, 30XA220-242

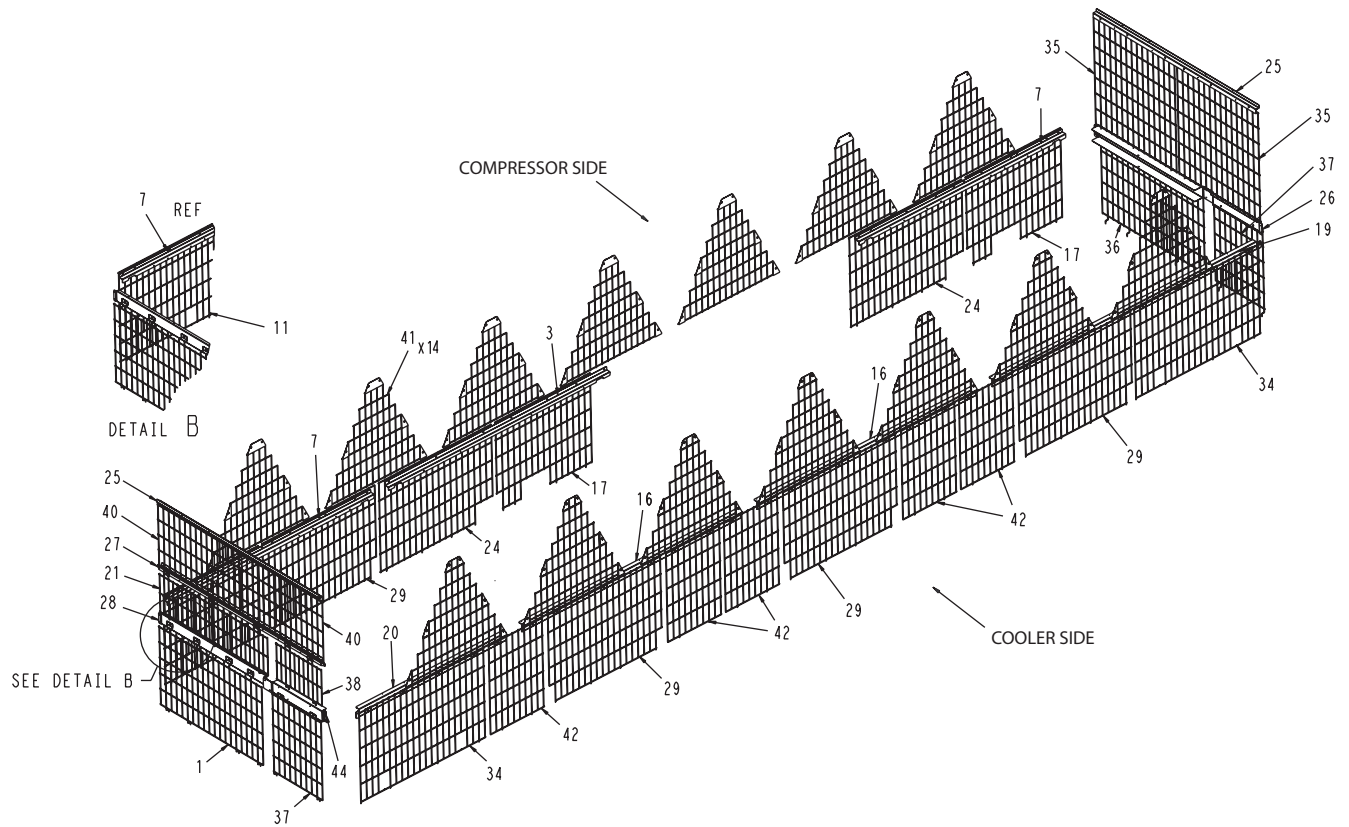


Fig. 16 — Metal Support and Grille Placement, 30XA260-302 Units Without High SCCR Option

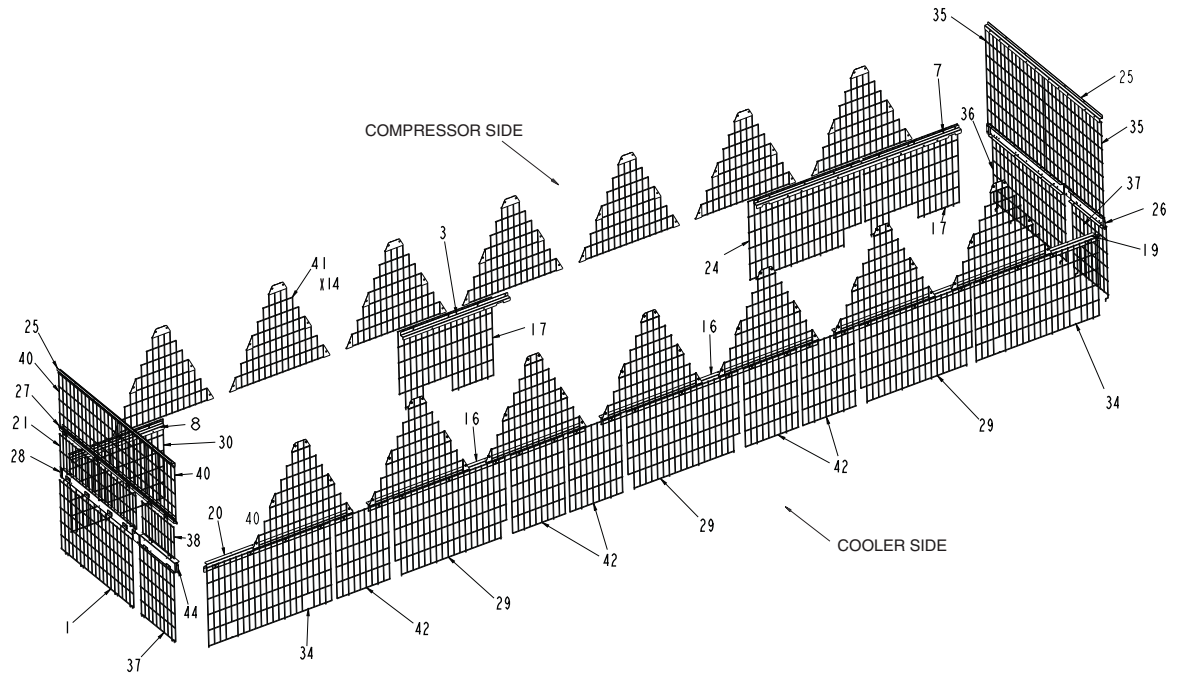


Fig. 17 — Metal Support and Grille Placement, 30XA260-302 Units With High SCCR Option

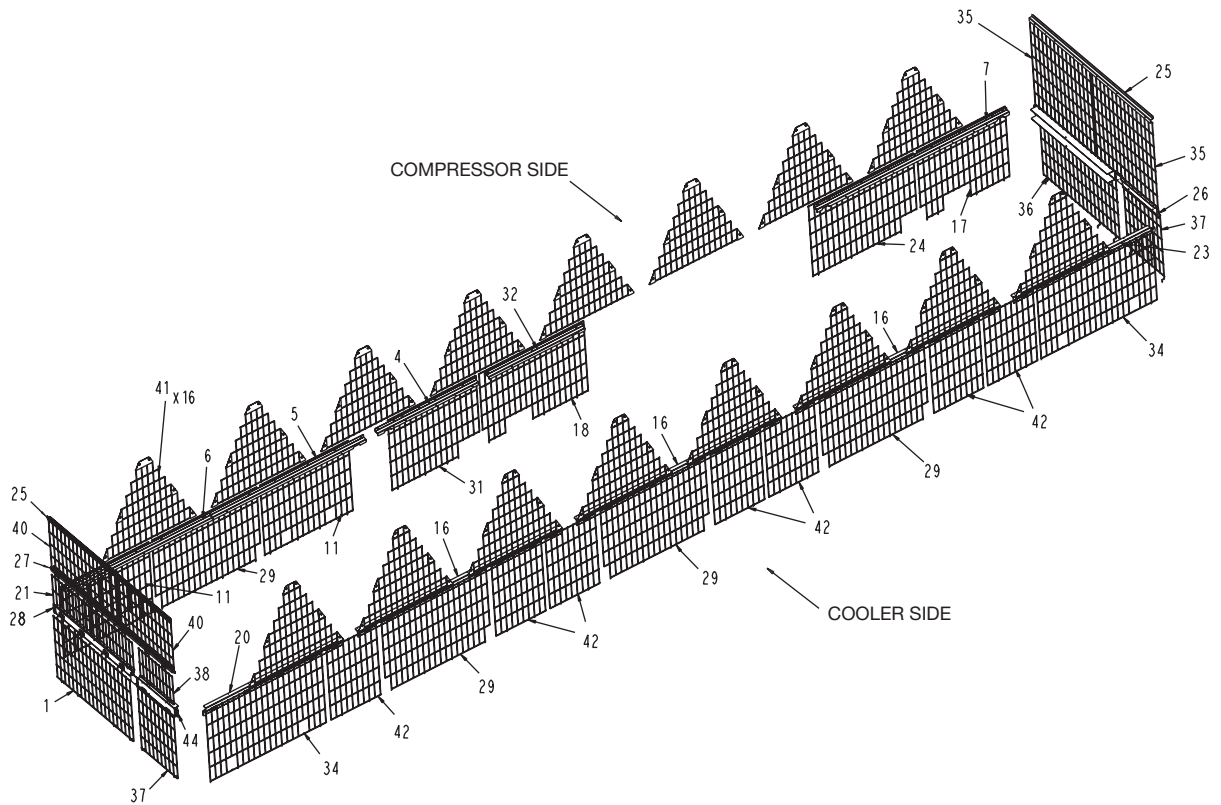


Fig. 18 — Metal Support and Grille Placement, 30XA325-352 Units Without High SCCR Option

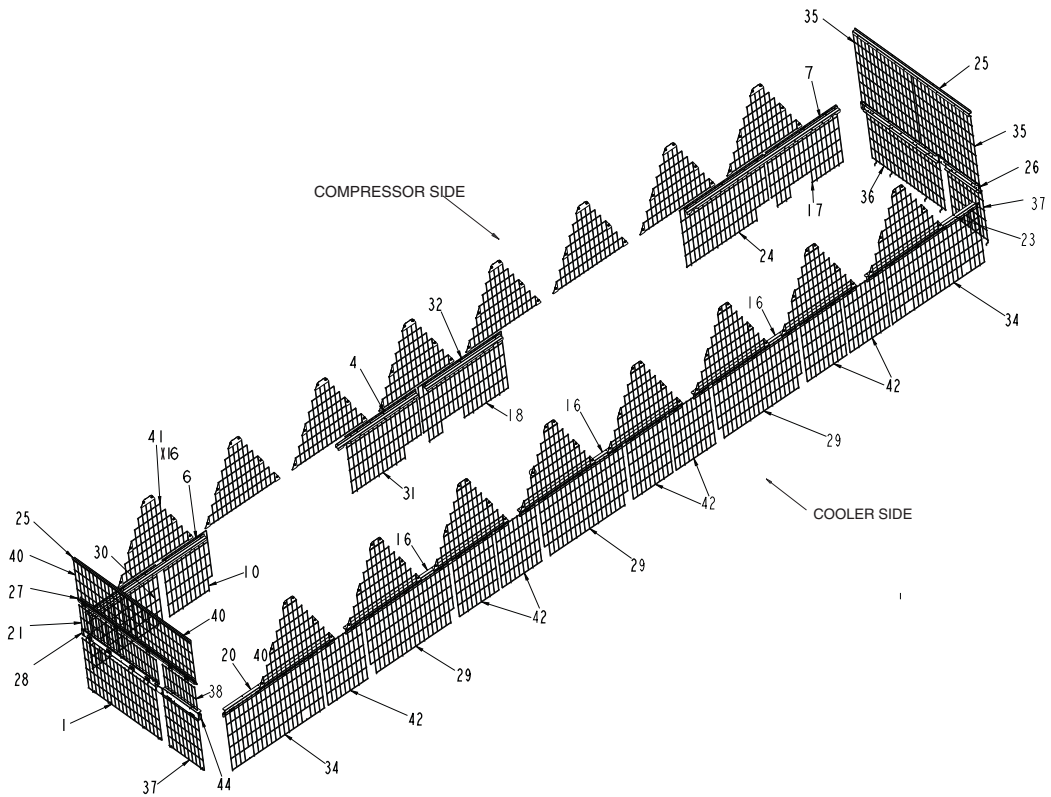


Fig. 19 — Metal Support and Grille Placement, 30XA325-352 Units With High SCCR Option

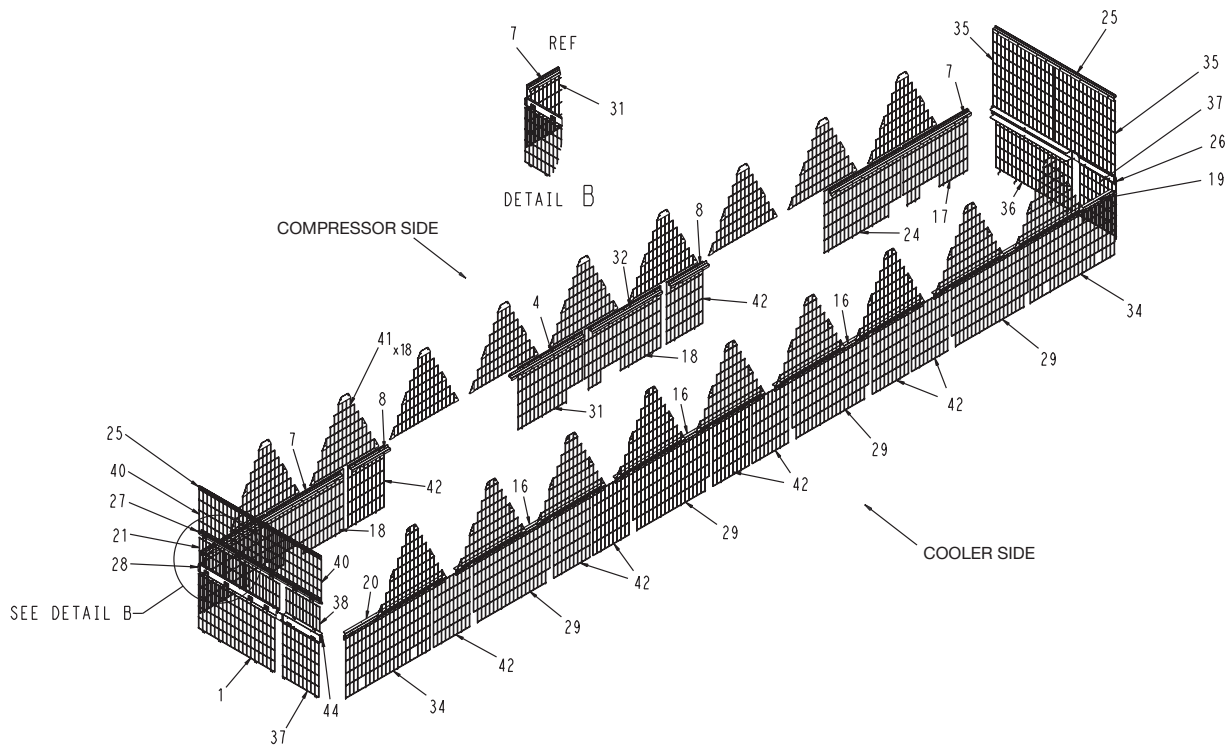


Fig. 20 — Metal Support and Grille Placement, 30XA400

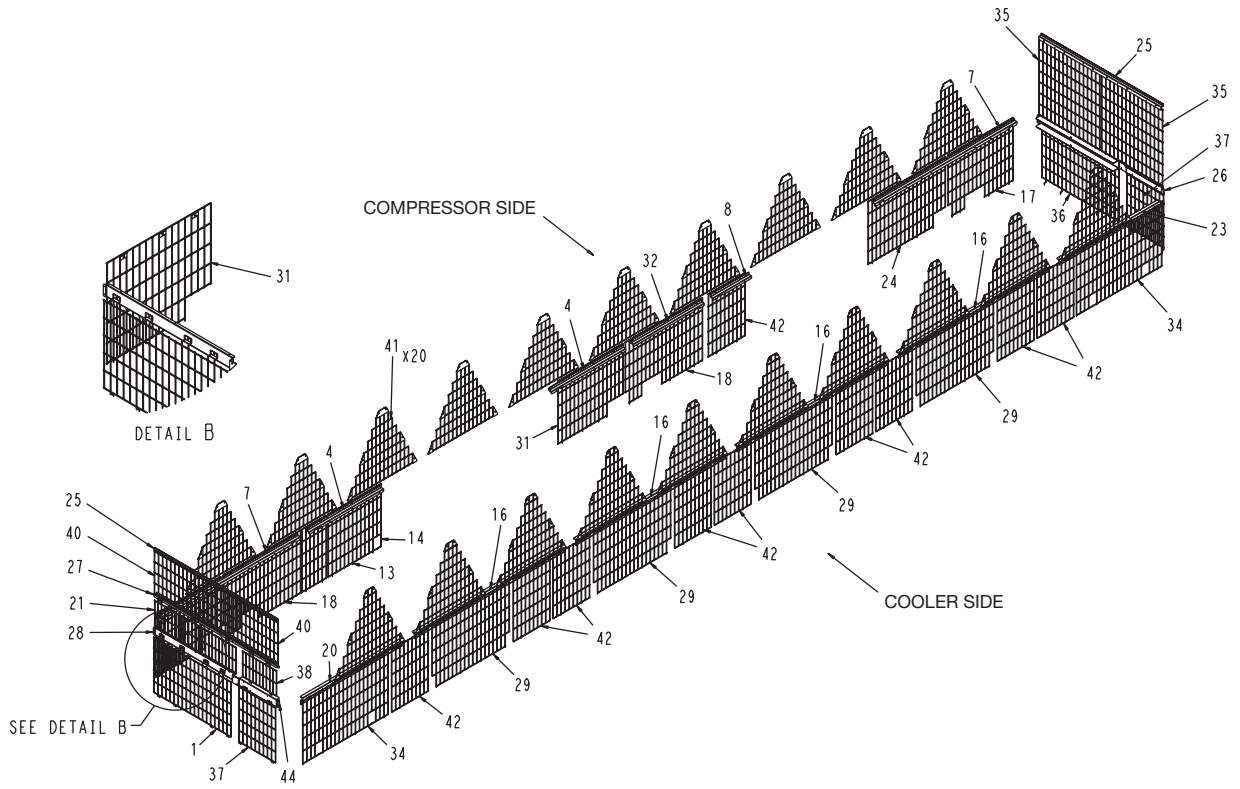


Fig. 21 — Metal Support and Grille Placement, 30XA450,500

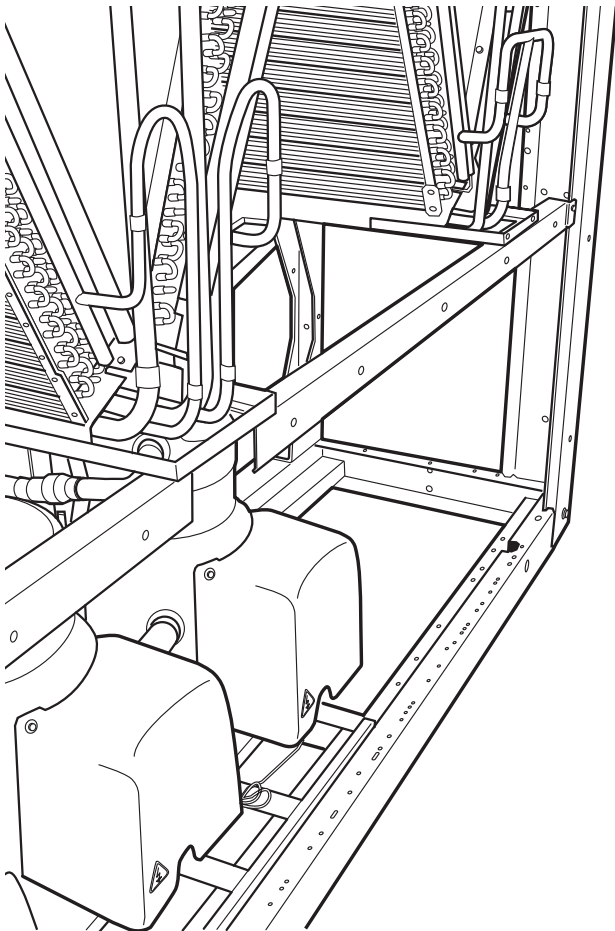


Fig. 22 — Compressor Side with Metal Supports Installed (30RB090 Shown)

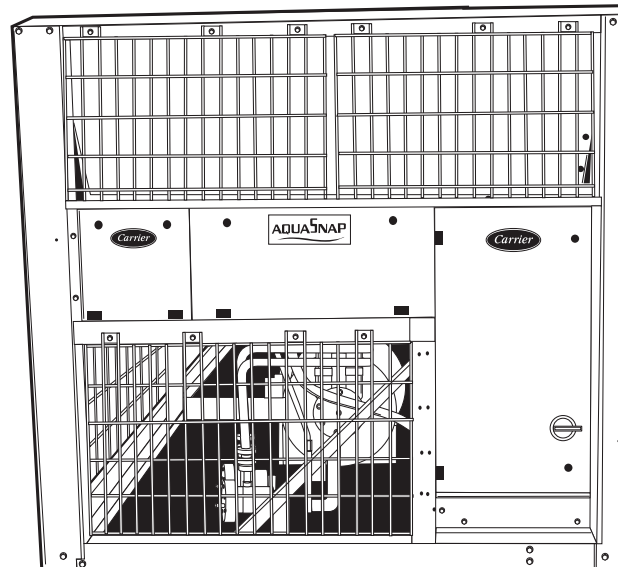


Fig. 23 — Control Panel End with Metal Supports/Grilles Installed (30RB090 Shown)

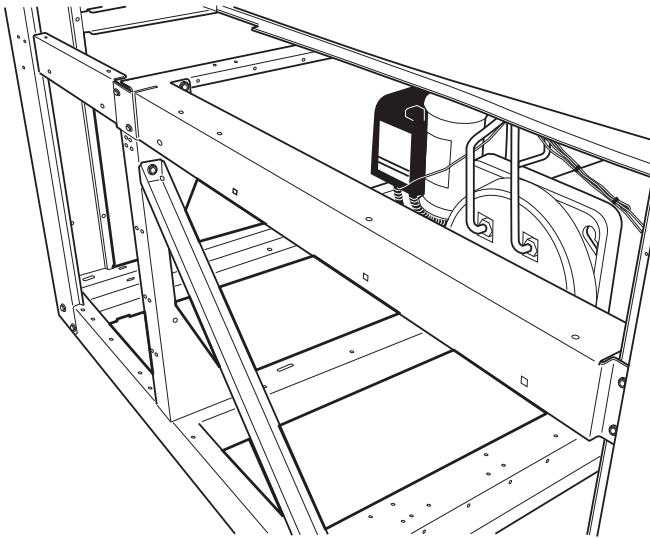


Fig. 24 — Blank End with Metal Supports Installed (30RB090 Shown)

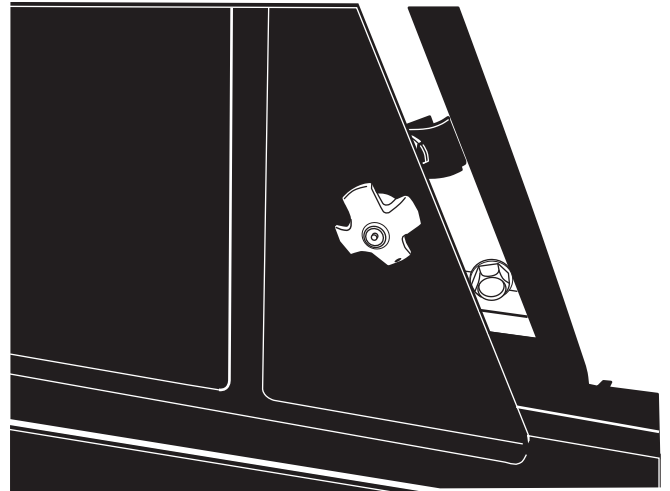


Fig. 26 — Rubber Fastener Installation in Grille

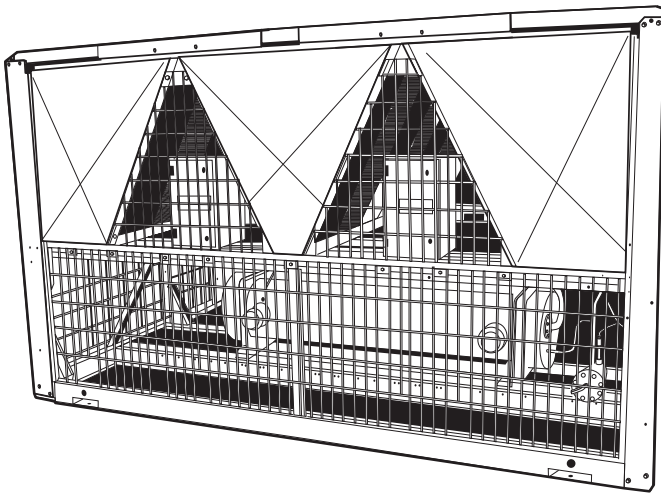


Fig. 25 — Water Connection Side with Metal Supports/Grilles Installed (30RB090 Shown)

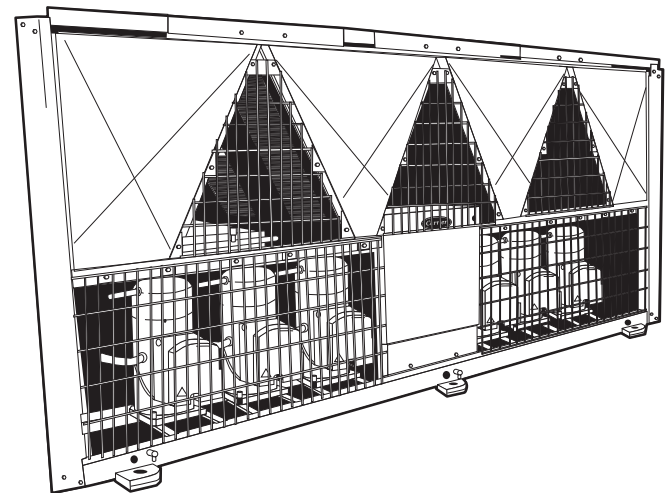
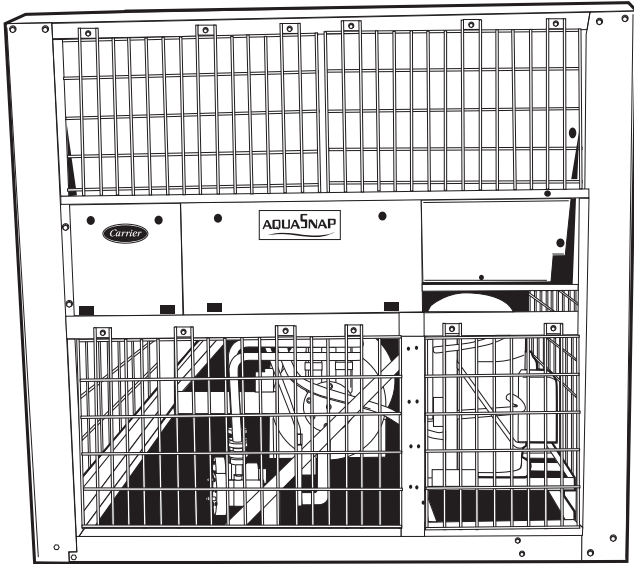
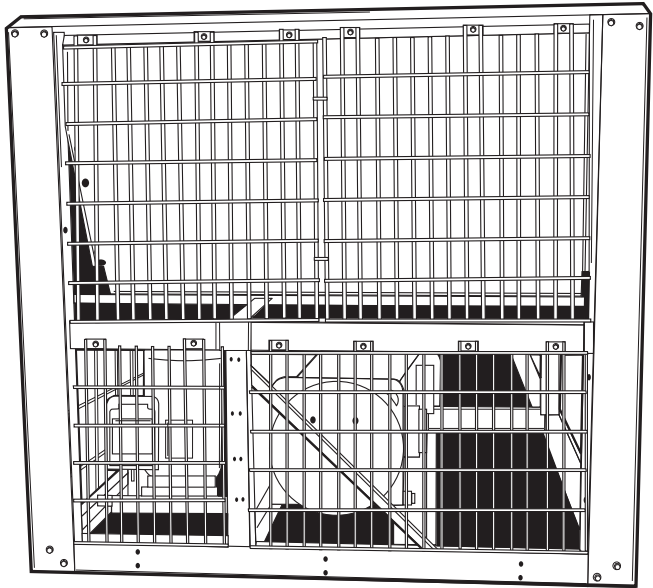


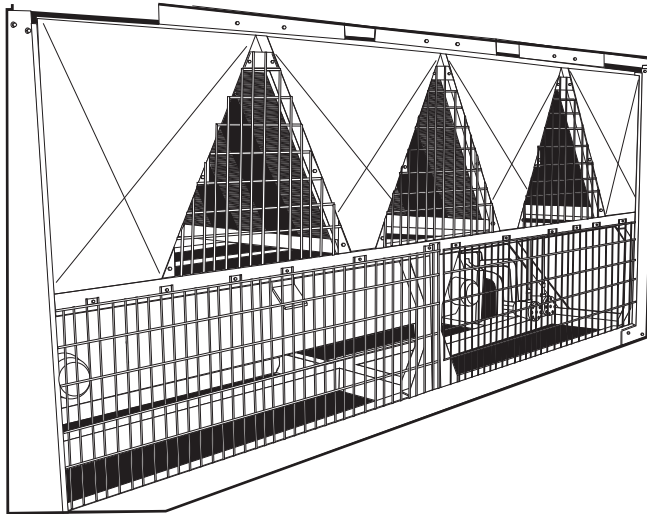
Fig. 27 — Compressor Side, Installation Complete (30RB150 Shown)



**Fig. 28 — Control Panel End,
Installation Complete (30RB150 Shown)**

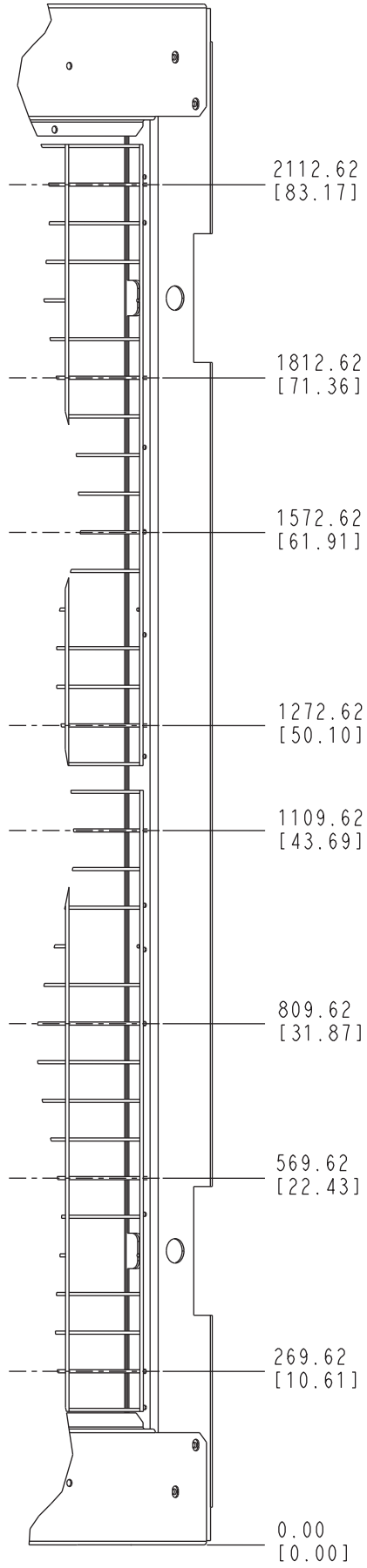
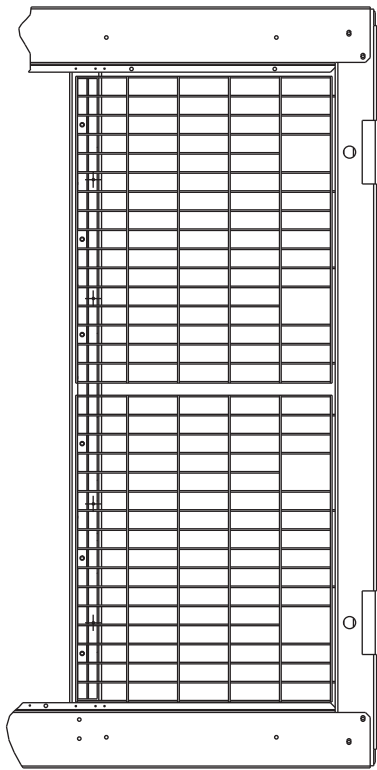


**Fig. 30— Blank End,
Installation Complete (30RB150 Shown)**



**Fig. 29 — Water Connection Side,
Installation Complete (30RB150 Shown)**

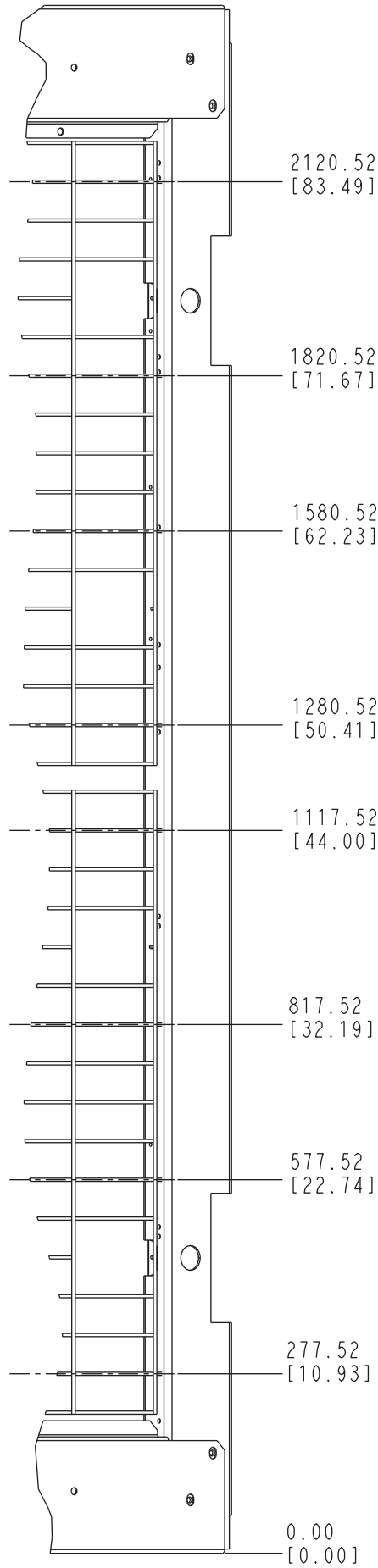
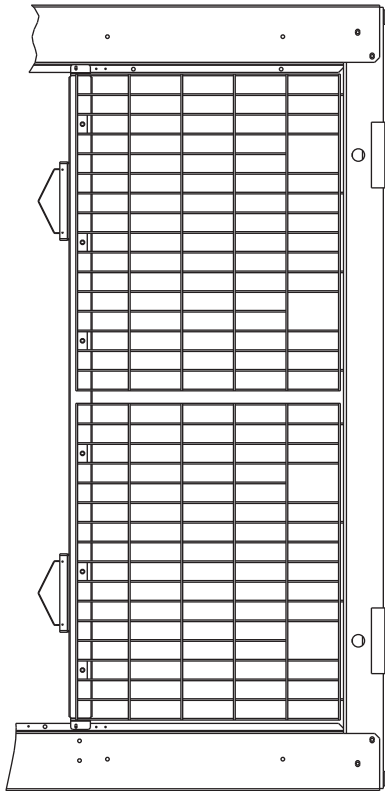
WATER CONNECTION SIDE



NOTE: Dimensions are provided in mm [inches].

Fig. 31 — Grille Post Holes, 30RB060-080

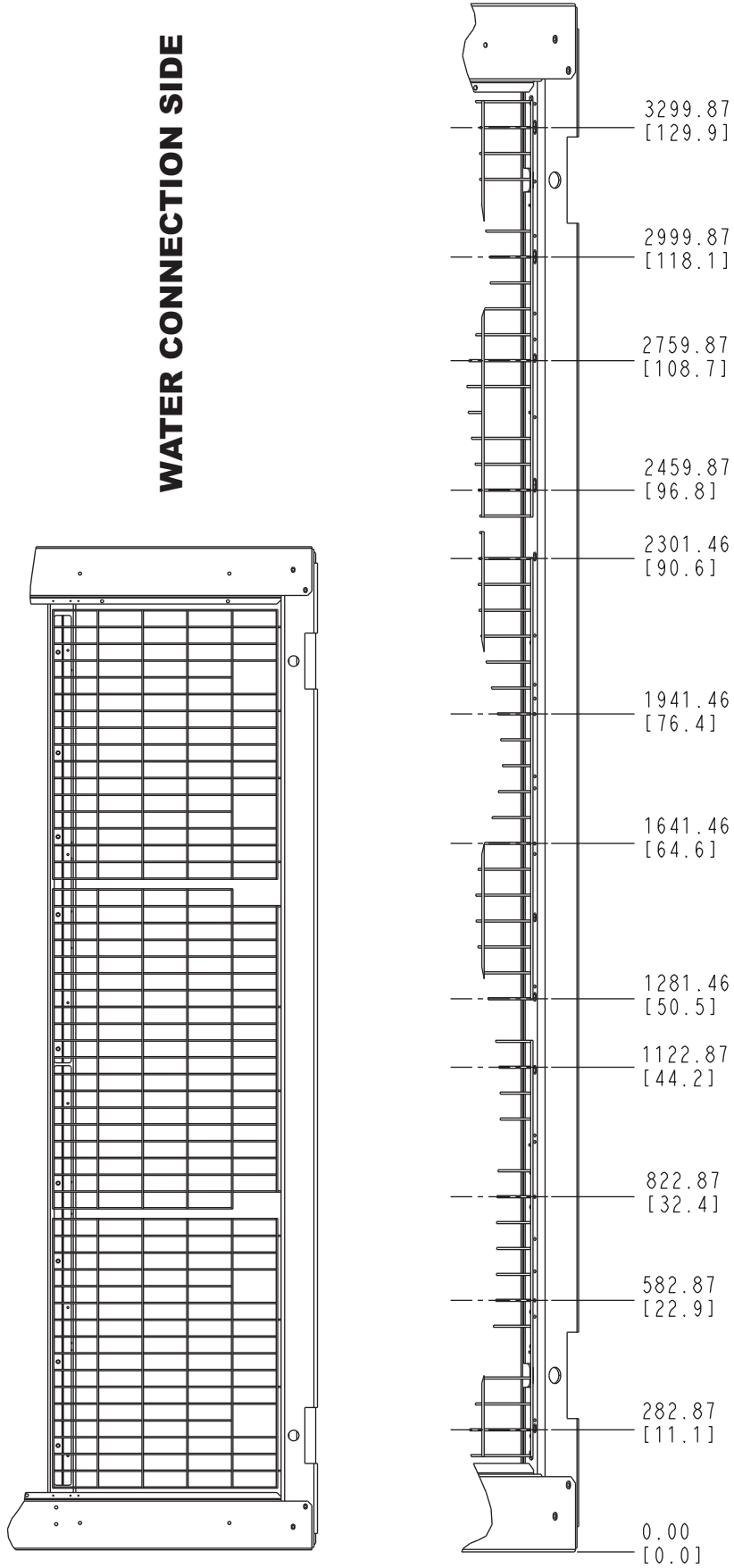
COMPRESSOR SIDE



NOTE: Dimensions are provided in mm [inches].

Fig. 31 — Grille Post Holes, 30RB060-080 (cont)

WATER CONNECTION SIDE



NOTE: Dimensions are provided in mm [inches].

Fig. 32 — Grille Post Holes, 30RB090-110

COMPRESSOR SIDE

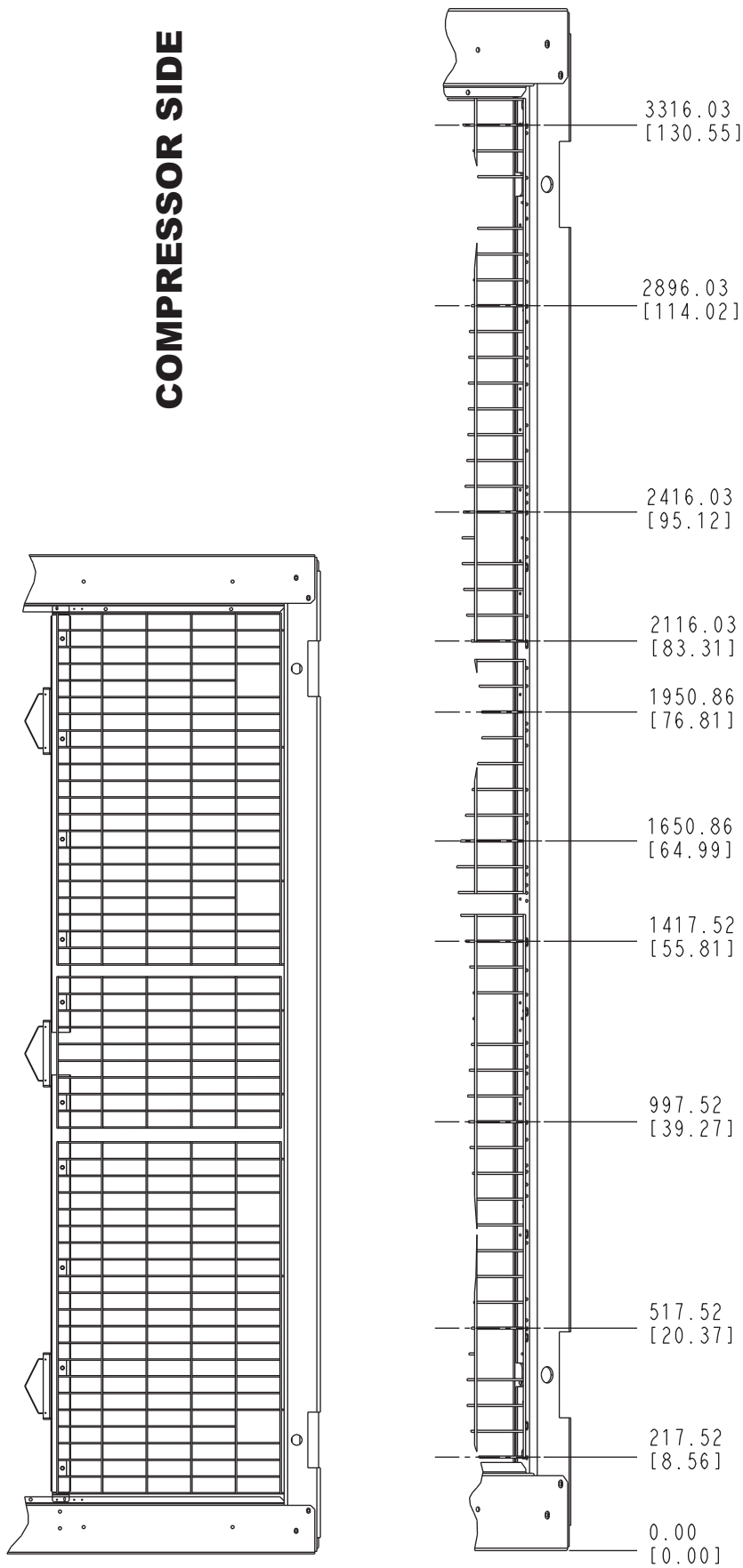
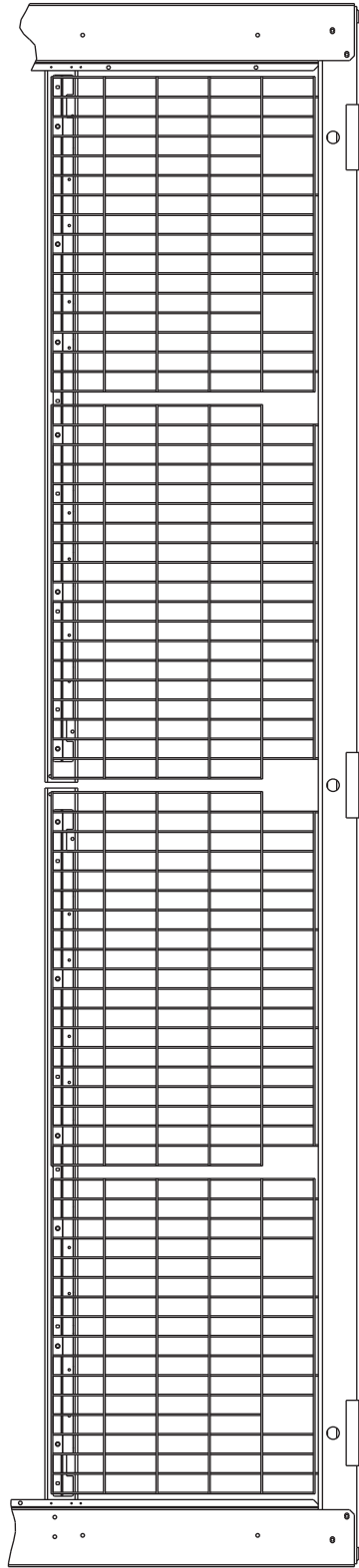


Fig. 32 — Grille Post Holes, 30RB090-110 (cont)

NOTE: Dimensions are provided in mm [inches].



WATER CONNECTION SIDE

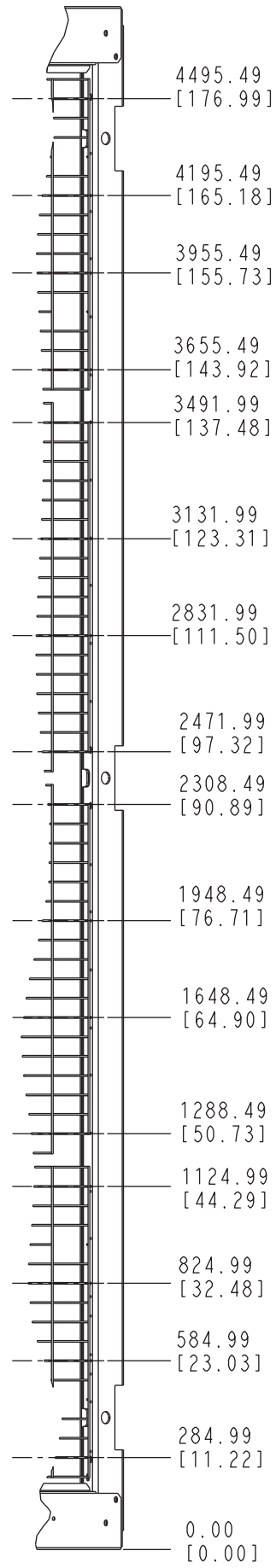
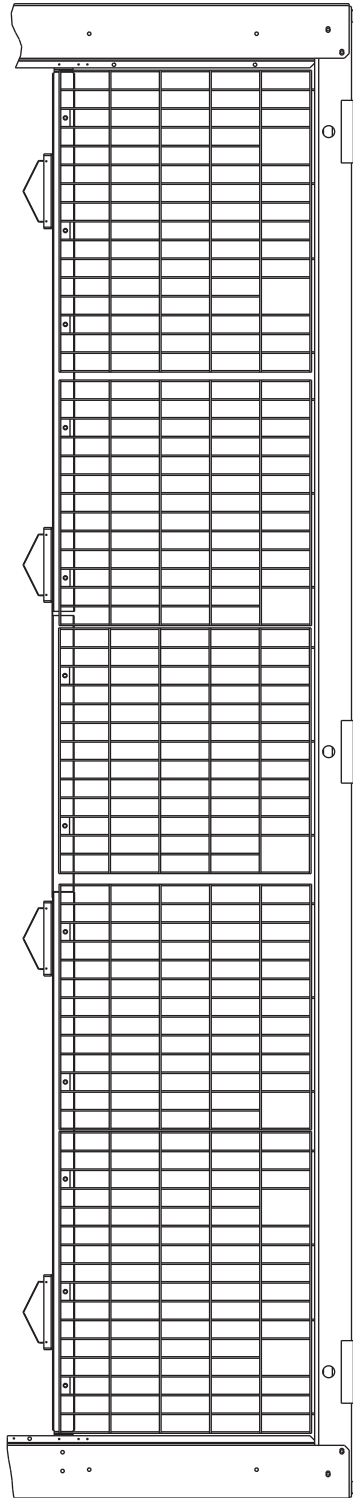
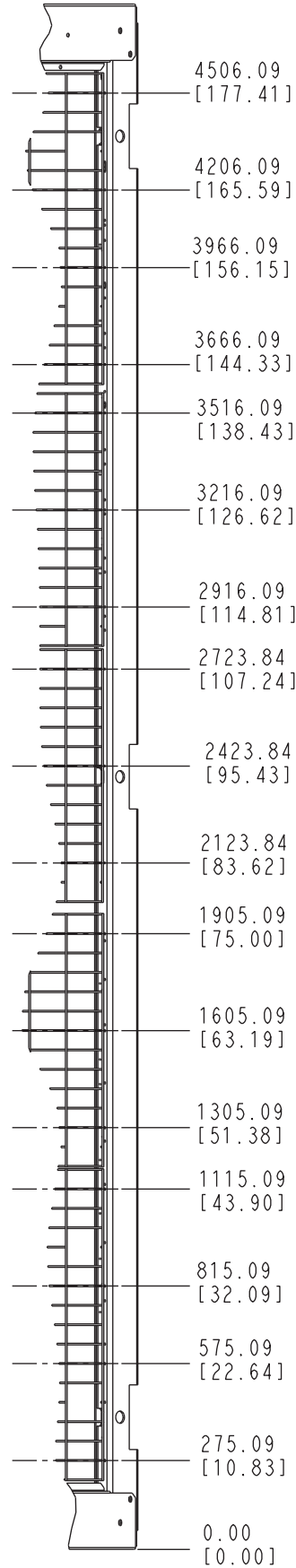


Fig. 33 — Grille Post Holes, 30RB120-150

NOTE: Dimensions are provided in mm [inches].

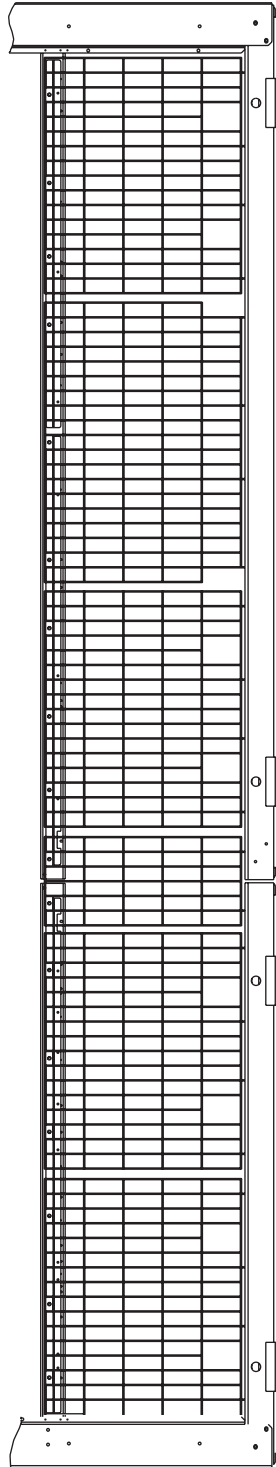


COMPRESSOR SIDE



NOTE: Dimensions are provided in mm [inches].

Fig. 33 — Grille Post Holes, 30RB120-150 (cont)



WATER CONNECTION SIDE

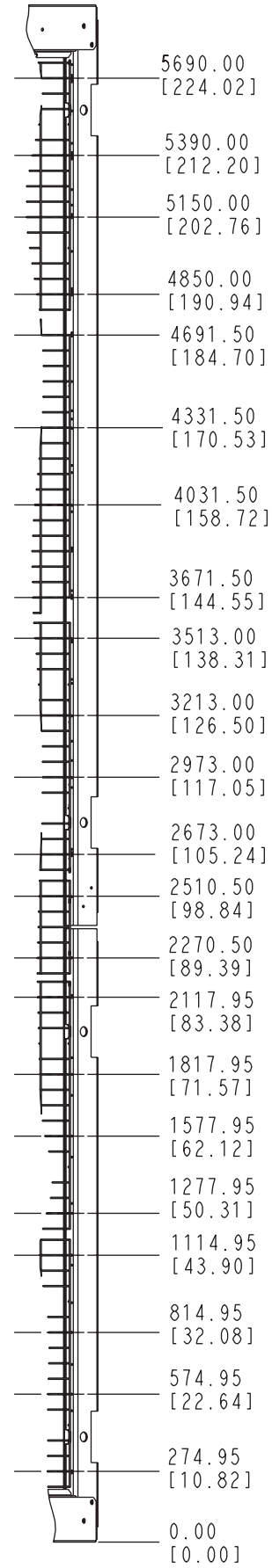
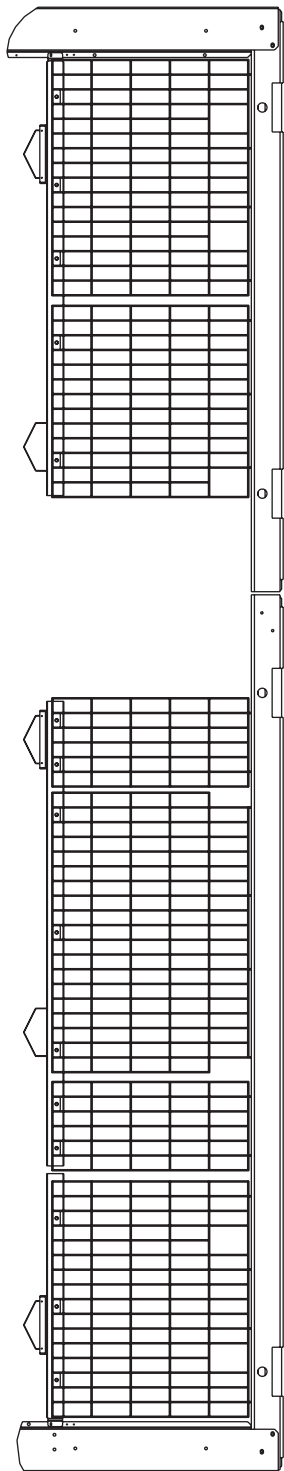
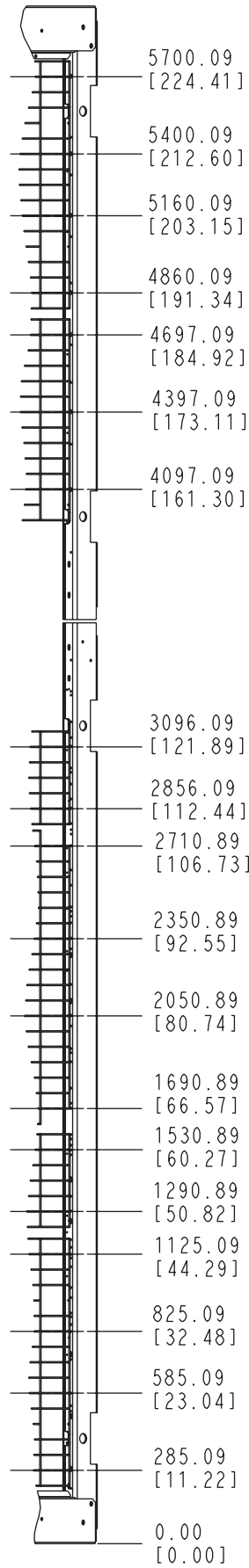


Fig. 34 — Grille Post Holes, 30RB160,170

NOTE: Dimensions are provided in mm [inches].



COMPRESSOR SIDE



NOTE: Dimensions are provided in mm [inches].

Fig. 34 — Grille Post Holes, 30RB160,170 (cont)

WATER CONNECTION SIDE

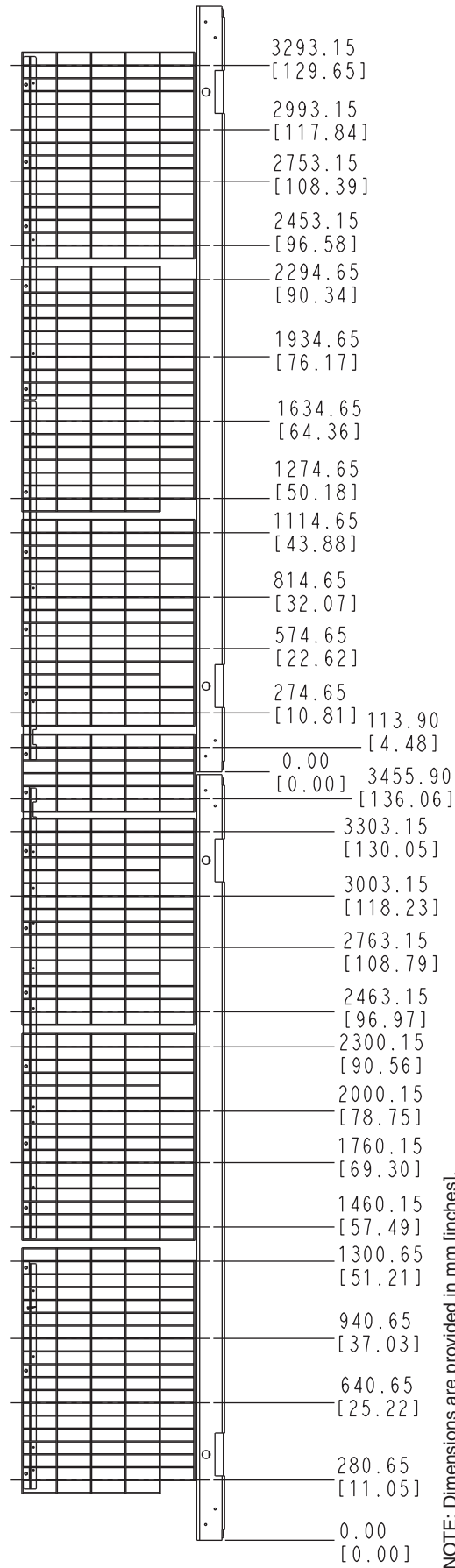


Fig. 35 — Grille Post Holes, 30RB190

NOTE: Dimensions are provided in mm [inches].

COMPRESSOR SIDE

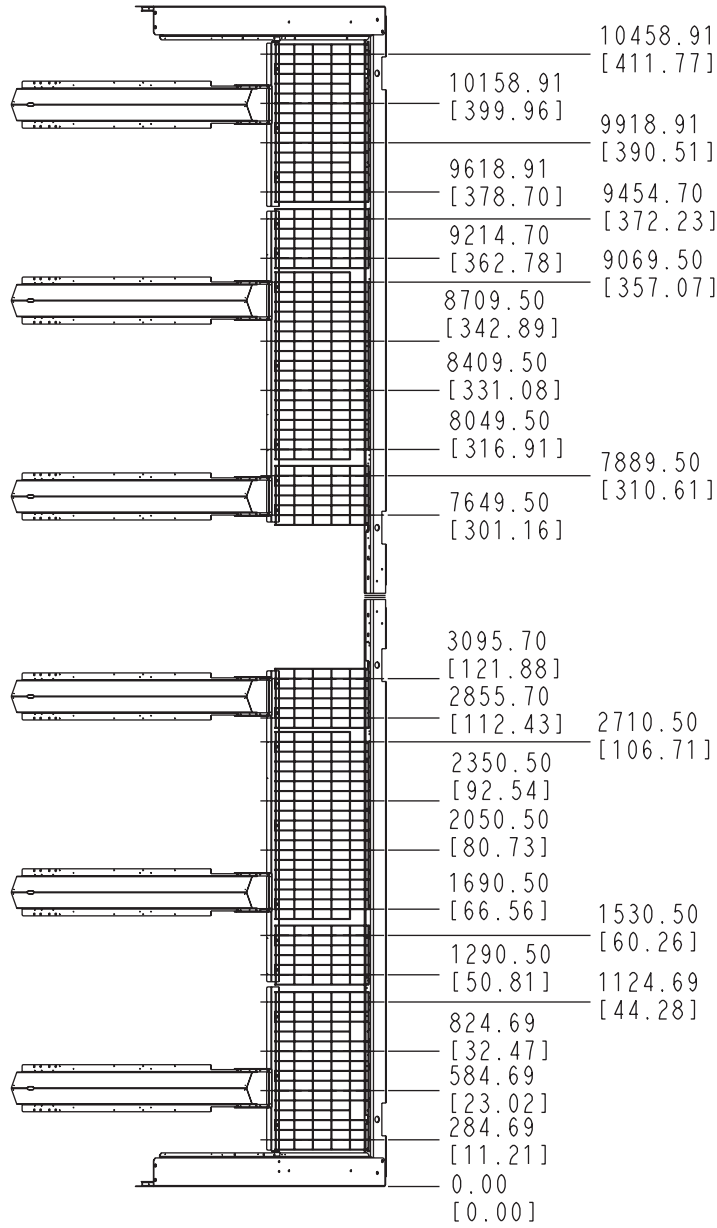


Fig. 35 — Grille Post Holes, 30RB190 (cont)

NOTE: Dimensions are provided in mm [inches].

WATER CONNECTION SIDE

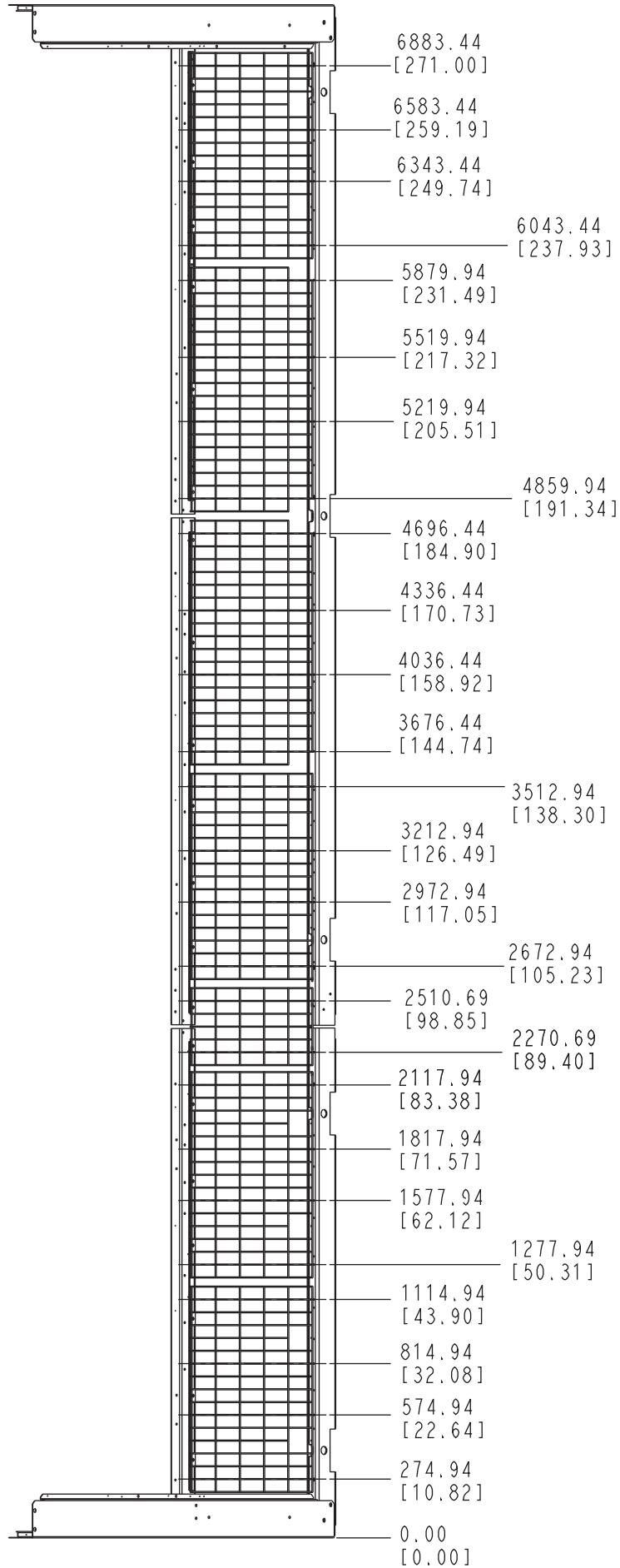


Fig. 36 — Grille Post Holes, 30RB210,225

NOTE: Dimensions are provided in mm [inches].

COMPRESSOR SIDE

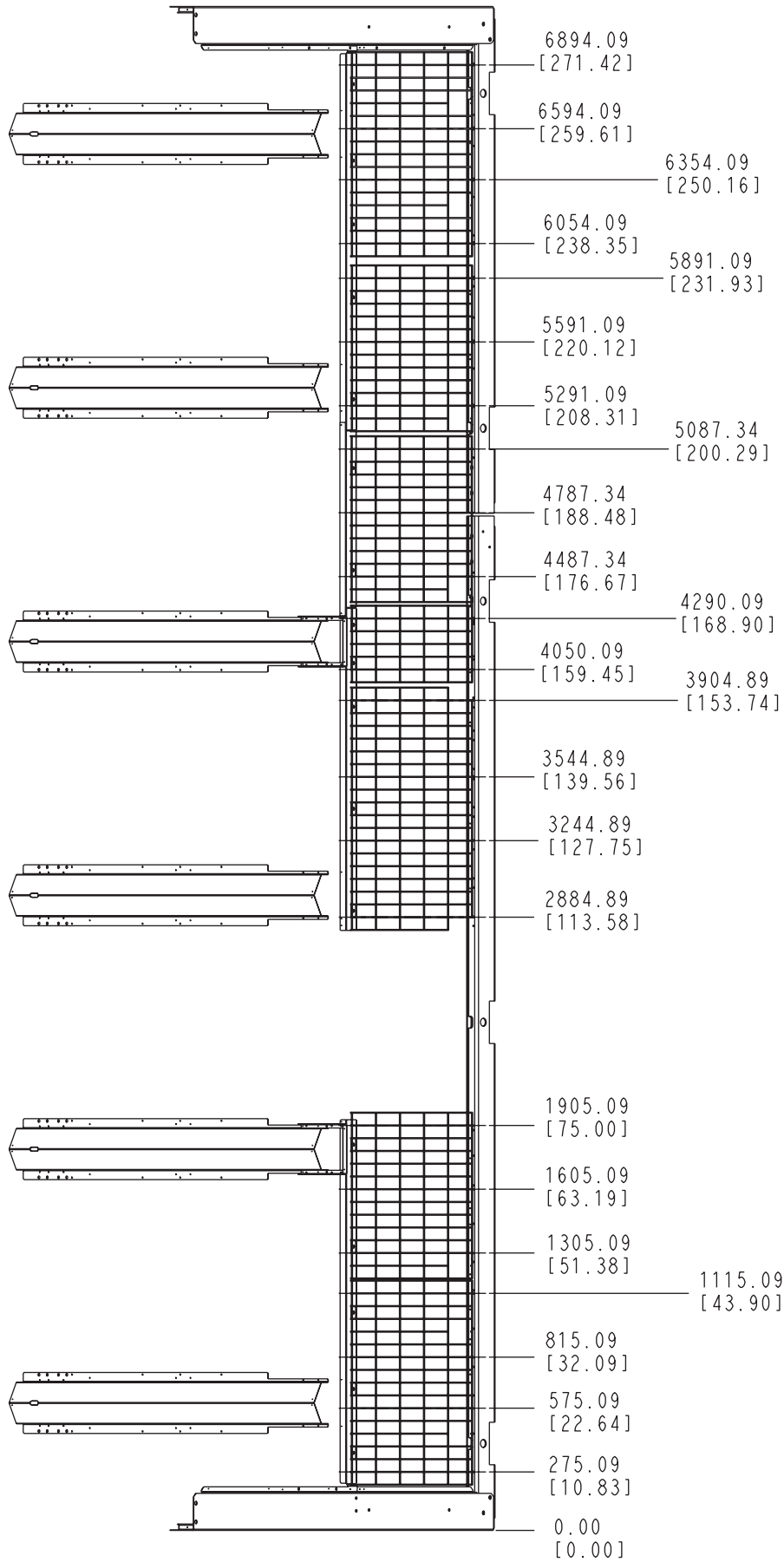


Fig. 36 — Grille Post Holes, 30RB210,225 (cont)

NOTE: Dimensions are provided in mm [inches].

WATER CONNECTION SIDE

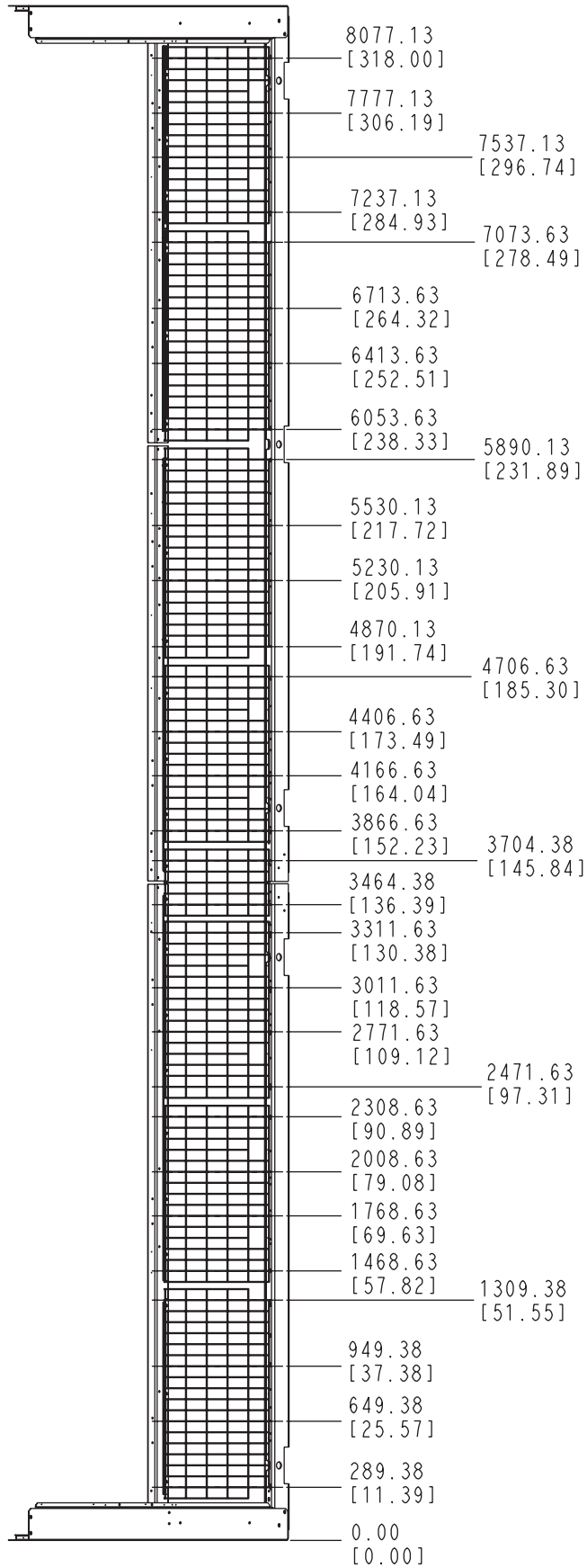


Fig. 37 — Grille Post Holes, 30RB250

NOTE: Dimensions are provided in mm [inches].

COMPRESSOR SIDE

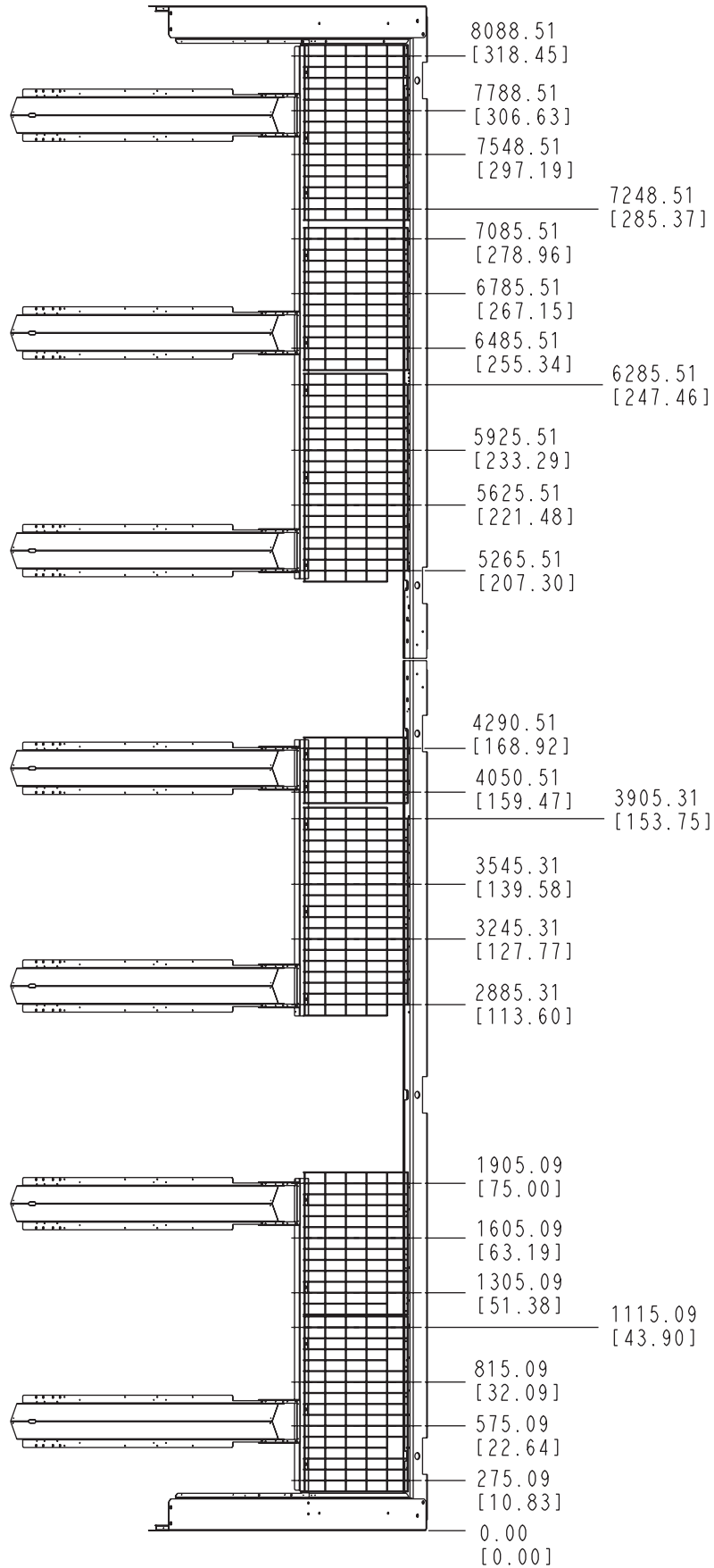


Fig. 37 — Grille Post Holes, 30RB250 (cont)

NOTE: Dimensions are provided in mm [inches].

COMPRESSOR SIDE

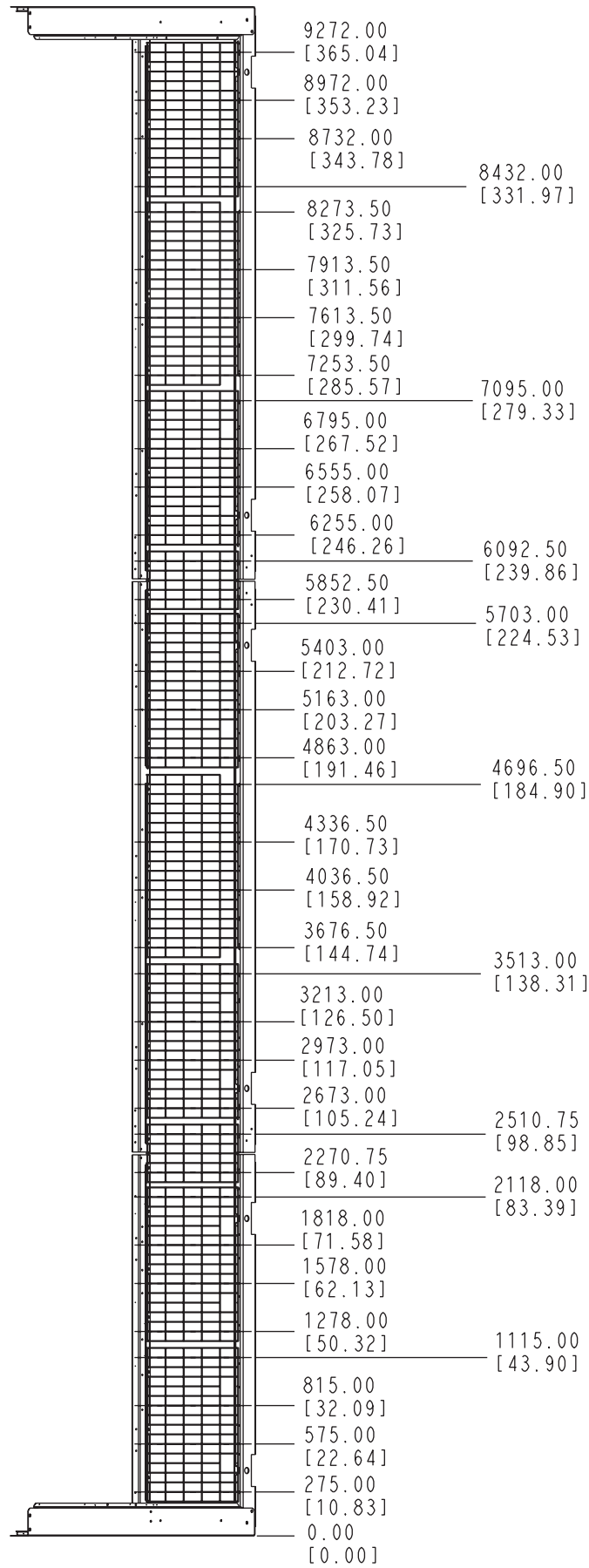
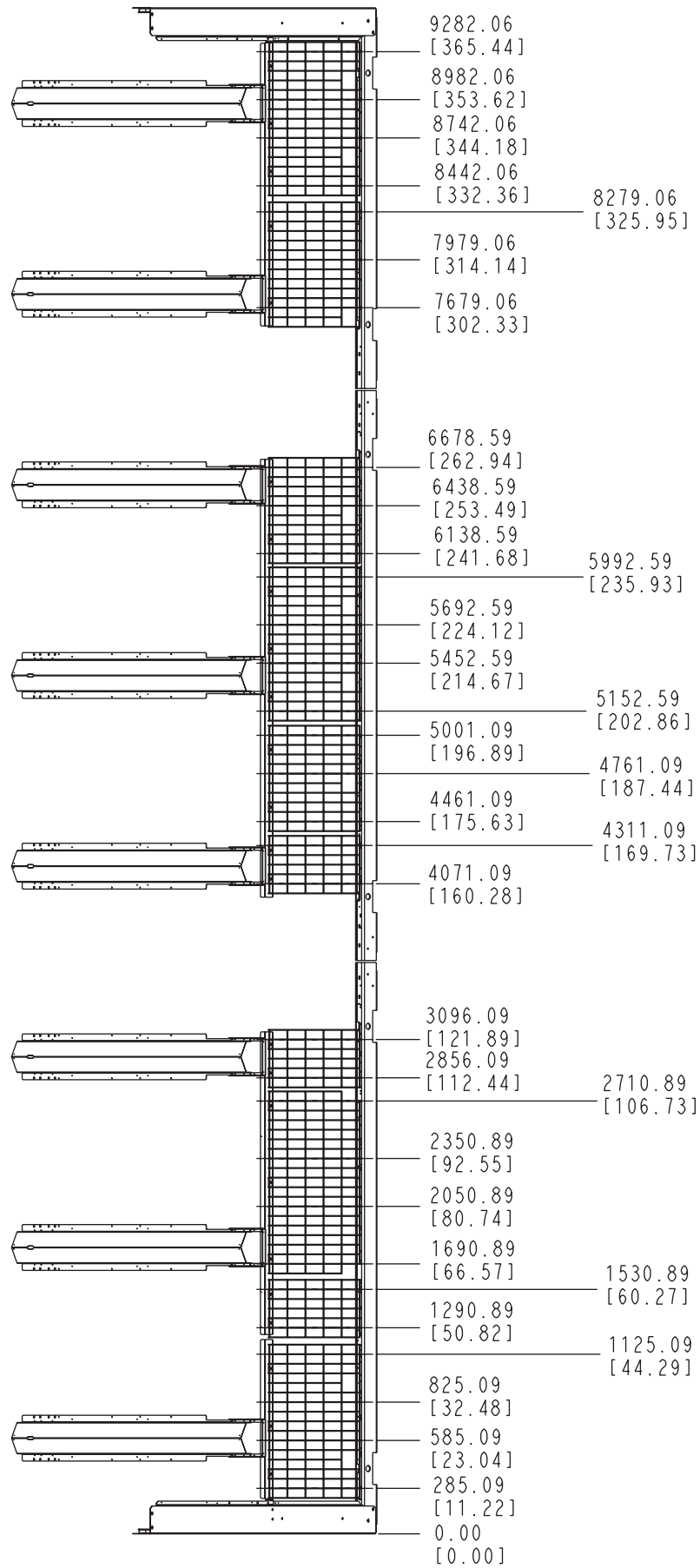


Fig. 38 — Grille Post Holes, 30RB275

NOTE: Dimensions are provided in mm [inches].

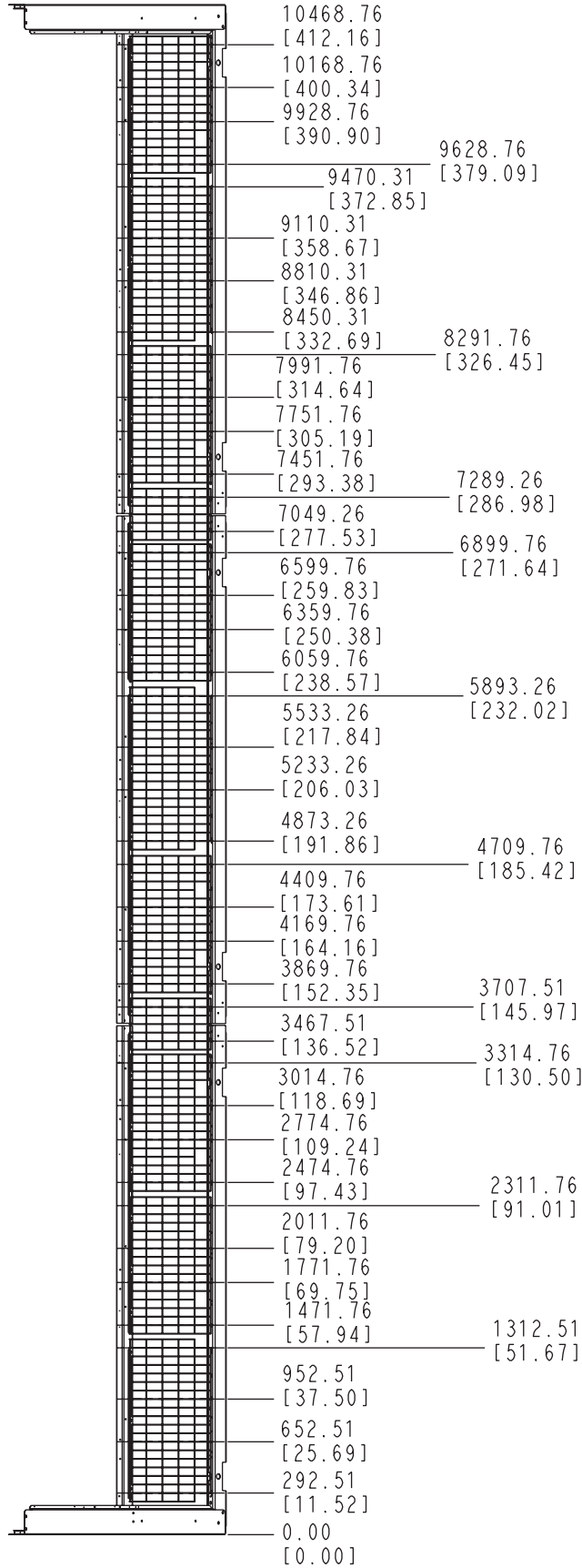
COMPRESSOR SIDE



NOTE: Dimensions are provided in mm [inches].

Fig. 38 — Grille Post Holes, 30RB275 (cont)

WATER CONNECTION SIDE



NOTE: Dimensions are provided in mm [inches].

Fig. 39 — Grille Post Holes, 30RB300

COMPRESSOR SIDE

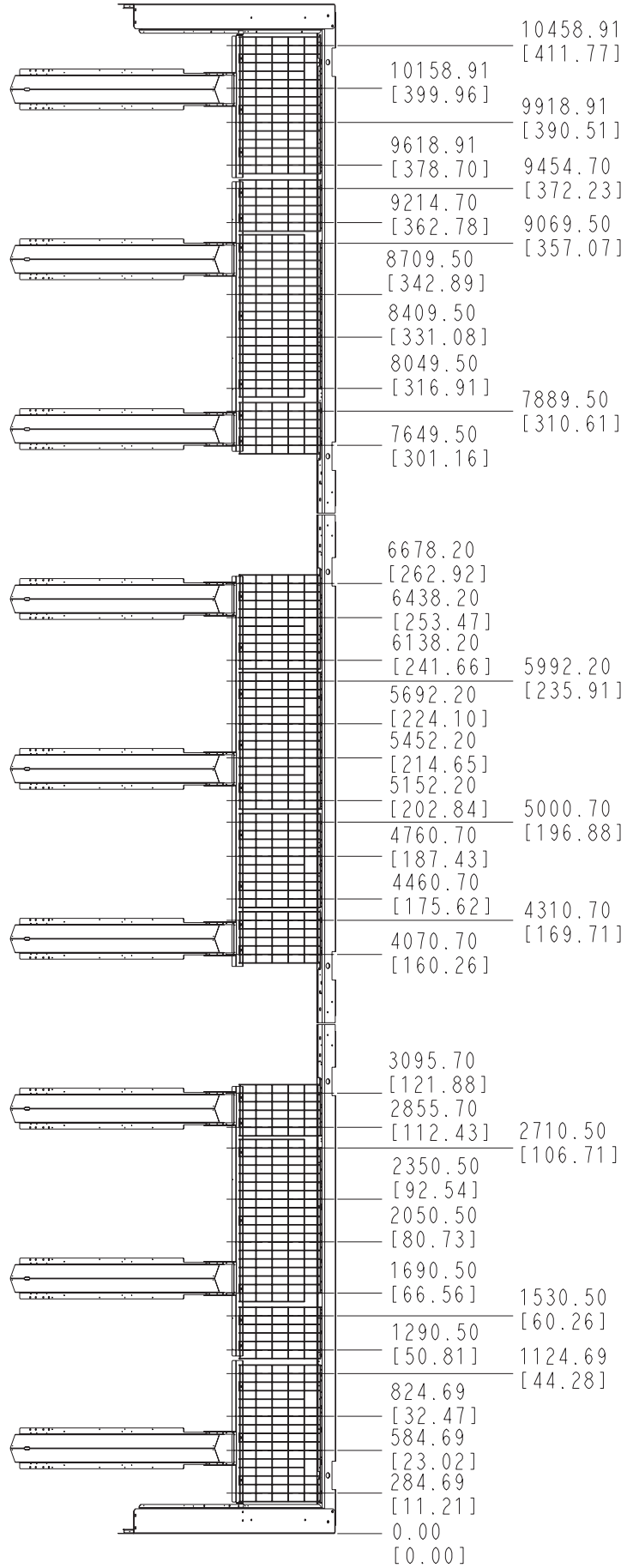


Fig. 39 — Grille Post Holes, 30RB300 (cont)

NOTE: Dimensions are provided in mm [inches].

