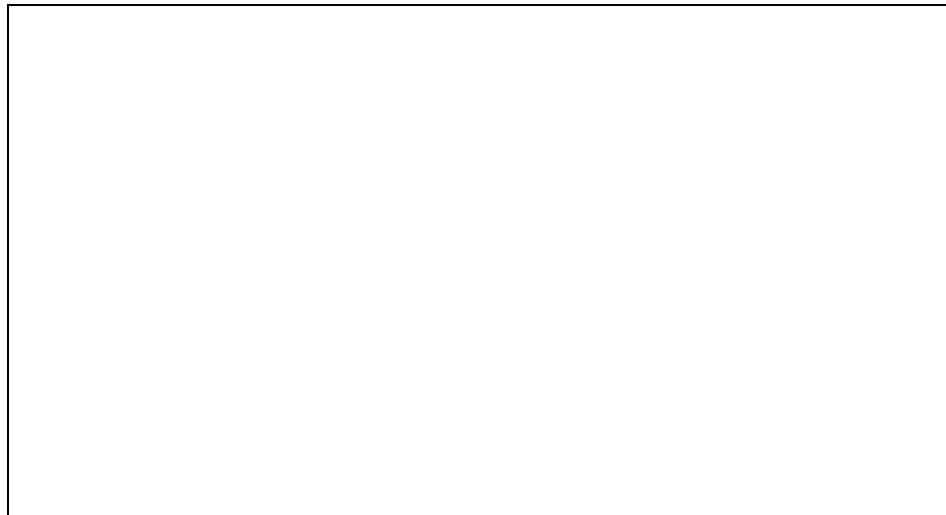




38AQ007
OUTDOOR UNIT
SPLIT SYSTEM HEAT PUMP

- **PERFORMANCE DATA**
- **DIMENSION PRINT**



| | | | | |
|--------------------------------|-------------|---|-----------|--------------|
| Date: | Supersedes: | 38AQ007 OUTDOOR UNITS SPLIT SYSTEM HEAT PUMP | 38AQ | Rev: -6SB |
| JOB NAME: | | LOCATION: | | |
| BUYER: | | BUYER P.O. # | CARRIER # | |
| UNIT NUMBER: | | MODEL NUMBER: | | |
| PERFORMANCE DATA CERTIFIED BY: | | | DATE: | |

DESCRIPTION

38AQ outdoor heat pumps are air source units designed for use with the 40RMQ air handler. These units are ideal for installations that require flexibility and minimum use of space.

FEATURES

Hermetic scroll compressor with internal and external motor protection.
 Standard one-year warranty on unit with four-year extended protection plan on motor-compressor.
 Coil defrost control.
 Crankcase heaters.
 Accumulator in suction line.
 High and low pressure switches.
 Transformer and 24-volt control circuit.

Service valves.
 Built-in head pressure control on cooling cycle.
 Coils of nonferrous construction with aluminum plate fins mechanically bonded to seamless copper tubes with all joints brazed.
 Outdoor propeller type fan with direct drive motor. Factory lubricated bearings.
 Cabinet of galvanized steel bonderized and coated with pre-painted baked enamel finish.

PERFORMANCE DATA

Operating Weight _____ lb
 When used with indoor unit _____, the following combination ratings apply.

| UNIT | WEIGHT |
|---------|-----------------|
| 38AQ007 | 345 lb (156 kg) |

Cooling
 Total Capacity _____ Btuh
 Sensible Capacity _____ Btuh
 Outdoor db _____ F
 Entering Indoor db _____ F
 Entering Indoor wb _____ F
 Indoor Unit Cfm _____ at _____ in. wg ESP
 Power Input to Unit _____ kW

Heating
 Integral Capacity _____ Btuh at _____ F db
 Power Input to Unit _____ kW
 Indoor Entering Air db _____ F db

ELECTRICAL DATA

Power Supply to Unit _____ Volts, _____ Phase, _____ Hz
 Compressor RLA _____ Minimum Circuit Amps _____
 Outdoor Fans FLA _____ Total Maximum Fuse Amps _____

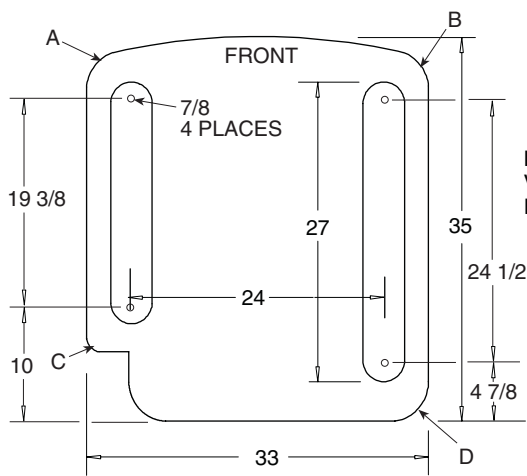
FACTORY-INSTALLED OPTIONS

FIELD-INSTALLED ACCESSORIES

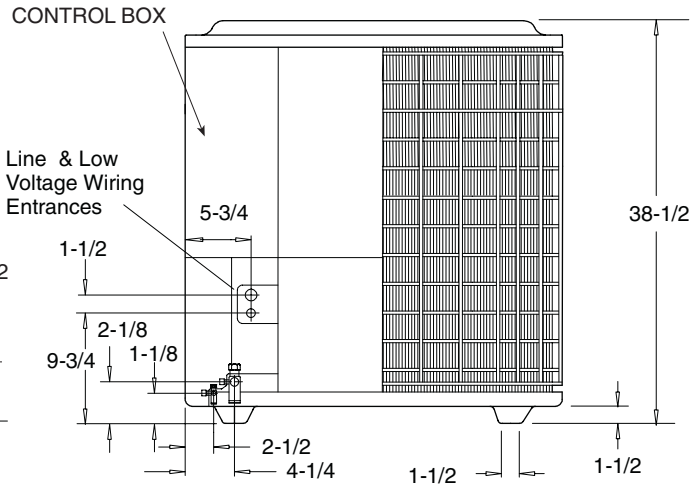
38AQ007 DIMENSION PRINT

CUT ALONG DOTTED LINE

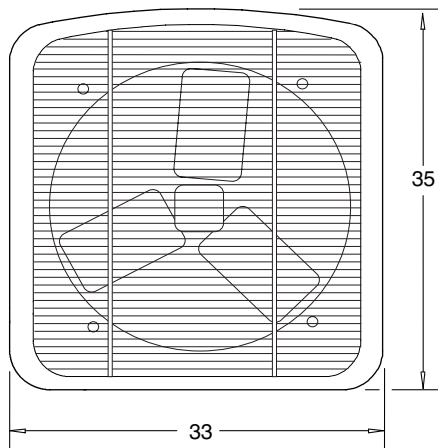
CUT ALONG DOTTED LINE



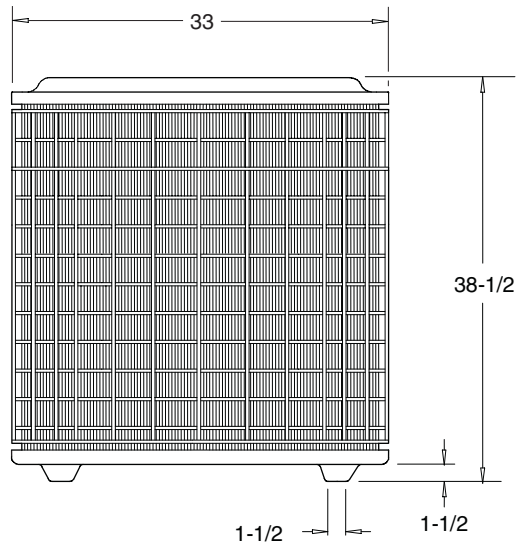
FRONT



REAR



TOP



FRONT

NOTES:

1. All dimensions are in inches.
2. Recommended clearance for proper airflow (local codes or jurisdictions may prevail):
 Top — 60 in.
 Sides — 24 in. on 3 sides; one side may have 6-in. clearance. (Control box side should have 24-in. clearance for service access.)
3. Corner Weights (lb):
 A = 86
 B = 84
 C = 92
 D = 90

