

Legacy[®] SILVER

Improved Shoulder Support - Full 19 Inches - 2 Inches More Than Major Competitors

Mid-Highback or Highback

Fully Reclining

4 Position Cushion Adjust

D2 Foam Cushion Comfort Technology

EVC Cushion Technology

Glide-A-Lator (Isolator)

22" Cushion

7" Double Locking Tracks

Adjustable Arms With E-Z Adjust Turn Wheel

Mesh Pocket On Back Of Seat

Standard Parallelogram Suspension

2 Way Air Lumbar

Optional Heater and Bellows

Legacy [®] SILVER	High Back	Mid Back
Legacy [®] SILVER	188900	188891
Legacy [®] SILVER Two Tone	188121	N/A

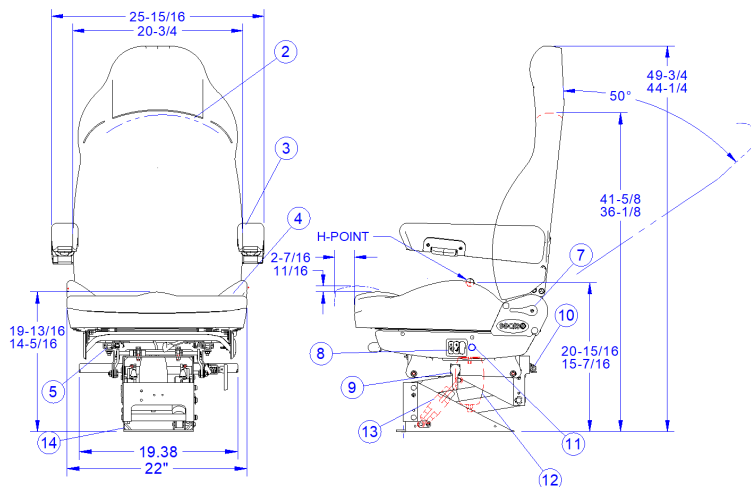
- Add letter for fabric type and color code: "K" for SyncPLUS Cloth, "F" for Tuff Cloth, "M" for DuraLeather™, or "Q" for SyncPLUS & DuraLeather™ Cloth Combo
188900M
- Then add "W" for underadjust arms or "N" for no arms
188900MW
- Then add 2, 3 or 4 Digit corresponding color code - see below
188900MW61

Optional Features:

- "B" Bellows
188900MWB61 Legacy[®] SILVER with Bellows
- "H" Heater
188900MWH61 Legacy[®] SILVER with Heater
- "Z" Bellows & Heater
188900MWZ61 Legacy[®] SILVER w/ Bellows & Heater

Tuff Cloth(F)		DuraLeather™(M)		Two-Tone DuraLeather™(M) or Tuff Cloth/DuraLeather™(Q)	
Black	631	Black	61	Black/Blue	1162
Brown	633	Blue	62	Black/Brown	1163
Gray	635	Brown	63	Black/Burgundy	1164
		Burgundy	64	Black/Gray	1165
		Gray	65	Black/Gray Tuff Cloth	1425

SyncCloth and Tufftex™ available for service parts only





Legacy[®] SILVER Service Parts

Ref. #	Description	Part Number	
Back Assemblies & Back Covers			
2		Highback	Midback
	Standard Back Assembly	188003	188021
	Two-Tone Back Assembly	188013	188024
	Standard Back Cover	310137	310138
	Two-Tone Back Cover	310146	310147
Arms & Arm Hardware			
3	Set of Arms	181969	
	Left Arm	181970	
	Right Arm	181971	
	Left Arm Cover	310144	
	Right Arm Cover	310145	
	Armrest Hardware - L or R	182452PS	
	Arm Removal Plug	185434PS	
Cushion Assemblies			
4	Standard Cushion Assembly	188004	
	Two-Tone Cushion Assembly	188014	
Additional Service Parts			
5	7" Double Locking Tracks Without Swivel	110167PS	
	7" Double Locking Tracks with Swivel	110170PS	
13	Shock Absorber	102362PS	
8	Air Valve, Height & Lumbar	781211PS	
	Plug	781209PS	
	Bezel	781208PS	
9	Glide-A-Lator (Isolator) Handle With Pin	105678PS	
7	Recliner Adjustment Knob With Hardware	180301PS	
	Recliner Replacement Kit	182414PS	
10	ICP - Standard	112900PS	
12	Air Spring	107338PS	
14	Standard Parallelogram Air Suspension With Isolator on or before 4/2/2015	102144PS	
	Parallelogram Air Suspension With Isolator on or after 4/3/2015 non-swivel seats	185525PS	
	Standard Parallelogram Air Suspension- Isolator & Driver Swivel	179315PS	
11	Heater Toggle Switch	188047PS	
	Heater Massage Toggle Switch	188075PS	
	12 Volt Heater Box *Extended 20 business day lead-time*	185533PS	
	12 Volt Heater Massage Box *Extended 20 business day lead-time*	185534PS	
	Knob for Swivel Handle	180323PS	
	Lower Lumbar Air Bag Kit on or after 2/1/2016	186317PS	
	Bushing Replacement Kit on or before 4/2/2015	102151PS	
	Shoulder Bolt	707843PS	
	Plastic Bushings	707606PS	
	Conical Dual Level Bumper	781435PS	
	Wrap Around Bellow	188975PS	