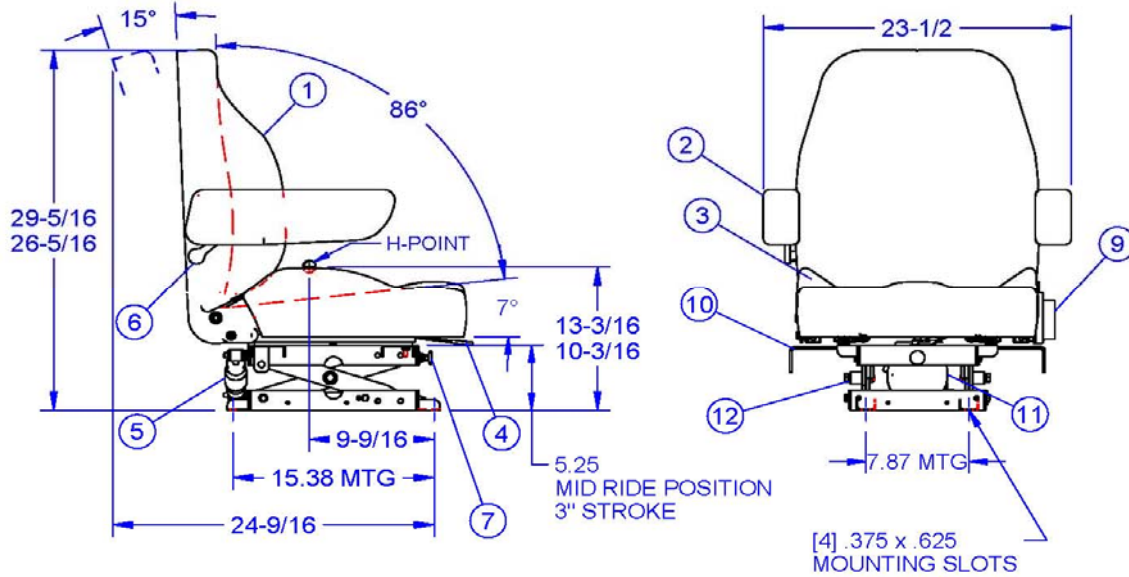


3R PRO

Mid-Highback
 2-Way Mechanical Lumbar
 15 Degree Recline
 7" Double Locking Tracks
 18.75" Cushion With EVC
 Heavy Duty Low Profile Air Suspension

3R PRO	MIDBACK 185069
--------	--------------------------

- Add letter for fabric type and color code: "V" for Vinyl, "C" for Industrial 1000, or "F" for Tufftex™ 185069C
- Then add "A" for standard arms or "N" for no arms 185069CN
- Then add 2 digit corresponding color code - see below 185069CN37



BACK COVER		
1	Back Cover	312479
ARMS & ARM HARDWARE		
2	Set of Arms	101690
	Left Arms	100803
	Right Arms	100802
	Left Arm Cover	301028
	Right Arm Cover	301028
	Armrest Hardware - L or R	182535PS
CUSHION COVER		
3	Cushion Cover	312475
ADDITIONAL SERVICE PARTS		Part Number
4	7" Double Locking Tracks	112453PS
	Tie Wire	516144PS
	Black End Tip	708789PS
5	Shock Absorber	102362PS
6	Lumbar Adjustment Lever With Pin	105678PS
7	Air Valve With Knob & Hardware	102715PS
9	Recliner Adjustment Knob With Hardware	103433PS
10	ICP	185314PS
11	Air Spring	103351PS
12	Heavy Duty Ultra Low Profile Air Suspension	112454PS
	Rubber Bumper	708117PS
	Bellow & Bracket	102805PS
	12 Volt Self Contained Air Compressor	163390PS

Vinyl (V)		Tufftex™ (F)		Industrial 1000 (C)	
Black	01	Black	31	Black	37
Blue	02	Blue	32	Gray	38
Brown	03	Brown	33	Brown	40
Burgundy	04	Burgundy	34		
Gray	05	Gray	35		