

Seagate® Nytro™ XP6300 Flash Accelerator Cards

Quick Installation Guide

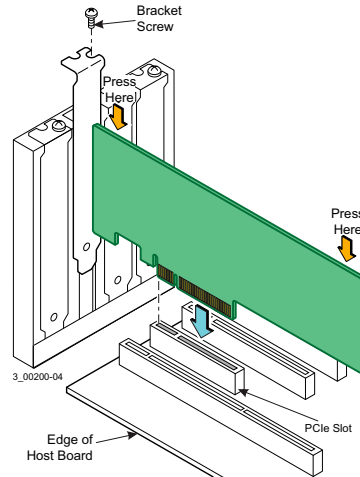


Thank you for purchasing the Seagate Nytro XP6300 Flash Accelerator card. Take a few minutes to read this quick installation guide before you install your card.

For updated documentation, drivers, and utilities, please visit <http://www.seagate.com/products/solid-state-flash-storage/accelerator-cards/> or contact your reseller support representative.

To install the Seagate® Nytro™ XP6300 Flash Accelerator card, follow these steps:

- 1. Unpack the card and inspect it for damage.** Unpack the Nytro XP6300 card in a static-free environment, and follow good antistatic grounding procedures. Remove the card from the antistatic bag, and carefully inspect the device for damage. If you notice any damage or if any component is missing, contact Seagate or your reseller support representative.
CAUTION: Back up your data before changing your system configuration.
- 2. Prepare the computer.** Turn off the computer, and disconnect the power cord from the power supply. Remove the cover from the chassis.
WARNING: To avoid electrical shock, disconnect the computer from the main power and from any networks before you install the card.
- 3. Replace the mounting bracket (system dependent).** If required for your system, replace the half-height mounting bracket that ships on the Nytro XP6300 card with the longer bracket supplied. Save the two screws from the half-height bracket and use the screws to attach the long bracket.
- 4. Insert the Nytro XP6300 card in an available PCI Express® (PCIe®) slot.** Locate an empty PCIe slot. Remove the blank bracket panel on the computer chassis that aligns with the empty PCIe slot. Save the bracket screw, if applicable. Align the card to a PCIe slot. Press down gently, but firmly, to correctly seat the card in the slot. The following figure shows how to insert the card in a PCIe slot.



NOTE: Your card shape, size, and component locations might vary from this figure.

- 5. Secure the bracket to the system's chassis.** Install the bracket screw, if applicable, or engage the system retention mechanism to secure the card to the system's chassis.
- 6. Replace the cover, the power cord, and power up the system.** Replace the system's cover, and reconnect the power cord and any network cables. Turn on the power.

You have now completed the Nytro XP6300 card hardware installation. Use the next procedure to install the appropriate operating system drivers.

Windows Driver Installation

The Seagate drivers for Windows Server® 2012 R2 are available online. Download the latest Windows drivers from the Seagate website:

1. Go to the following website:

<http://www.seagate.com/products/solid-state-flash-storage/accelerator-cards/>

2. Click on **Nytro XP6302 Flash Accelerator Card**.
3. Click **Support**, and click the driver you need.
4. Download the driver files.
5. Open the Windows Driver Configuration Utility file and follow the instructions to install the driver.

Linux Driver Installation

Seagate provides open source drivers in the following ways:

- Precompiled binaries to add to an existing installation using driver update disks or RPMs for selected distributions.
- Fusion-MPT™ source to add or update any distribution.

Download the latest Linux® drivers from the Seagate website.

1. Go to the following website:

<http://www.seagate.com/products/solid-state-flash-storage/accelerator-cards/>

2. Click on **Nytro XP6302 Flash Accelerator Card**.
3. Click **Support**, and click the driver you need.
4. Download the driver files and install the RPM files.

FreeBSD Driver Installation

Download the latest FreeBSD® drivers from the Seagate website.

1. Go to the following website:

<http://www.seagate.com/products/solid-state-flash-storage/accelerator-cards/>

2. Click on **Nytro XP6302 Flash Accelerator Card**.
3. Click **Support**, and click the driver you need.
4. Download the driver files and install the drivers.

VMware ESX4.X, ESX5.X, ESXi 5.X

Download the latest VMware® drivers from the Seagate website.

1. Go to the following website:

<http://www.seagate.com/products/solid-state-flash-storage/accelerator-cards/>

2. Click on **Nytro XP6302 Flash Accelerator Card**.
3. Click **Support**, and click the driver you need.
4. Download the driver files and unzip. Install the drivers.

You have now completed the driver installation for the Nytro XP6300 card.

TECHNICAL SUPPORT

For assistance installing, configuring, or using the Seagate Nytro XP6300 card, contact Seagate Technical Support:

Submit a support ticket here: <http://support2.seagate.com/>

Phone: 1-800-732-4283 (North America)
+00-800-732-4283 (International)

Website: www.seagate.com