

ES4200



Door Management Alarm

The ES4200 is a multifunctional door monitoring device that combines the best features and functions of DSI's door prop and exit alarm product lines into one easy-to-use master unit. Field selectable alarm timing, and input/output options are sure to make the ES4200 the product of choice.



ES4200-K1-T1

FEATURES & BENEFITS

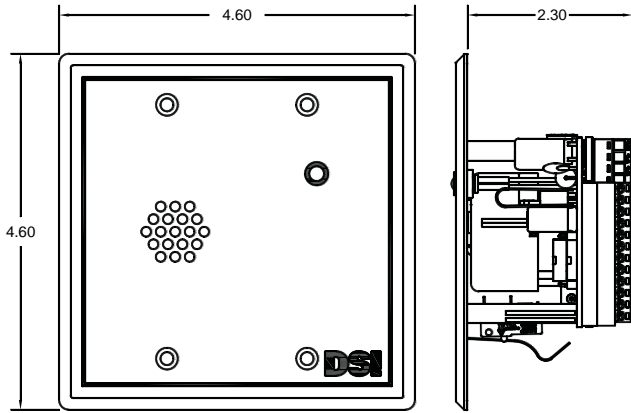
- Aesthetically pleasing design
- Compatible with all access control systems
- Can be used as a stand-alone product
- Field selectable alarm timing and alarm delay option
- Field selectable high or low level sounder
- 12-24 VAC/VDC operation
- Easy installation
- Encourages employees to maintain access control procedures
- Reset/bypass key switch and remote input
- Visual status indicator
- Incorporates form C output relays
- Supports door supervision

ES4200 Series

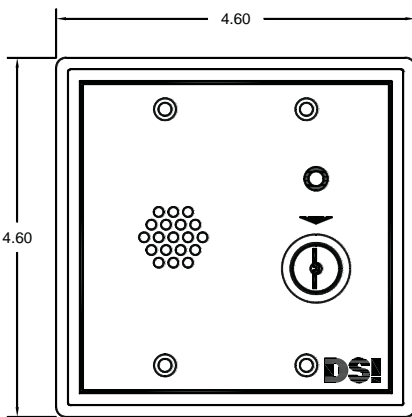
DSI[®]
DESIGNED SECURITY, INC.
A Detex Company

1402 Hawthorne St.
Bastrop, Texas 78602
Toll Free: 1-800-272-3555
Phone: 1-512-321-4426
Fax: 1-512-321-9181
E-mail: dsi@dsigo.com
www.dsigo.com

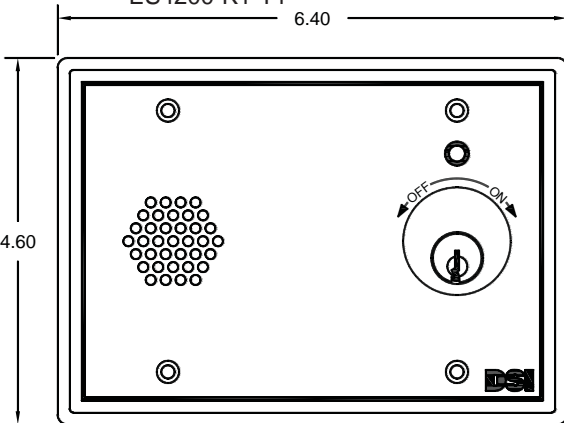
ES4200 Door Management Alarm



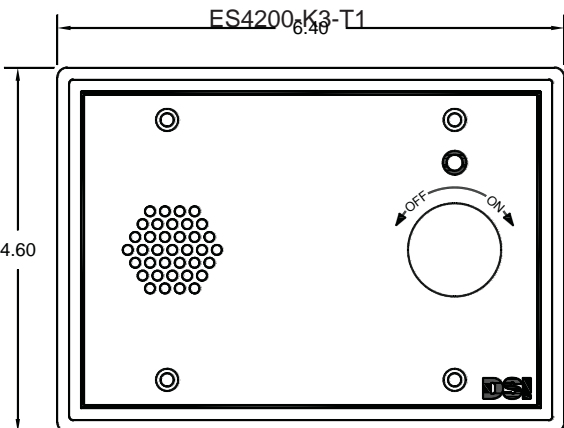
ES4200-K0-T1



ES4200-K1-T1



ES4200-K3-T1



ES4200-K4-T1

reference dimensional information

PRODUCT DESCRIPTION

The ES4200 provides complete monitoring of access control points by offering door prop/door held and intrusion/door forced detection. These alarms are designed to complement card reader and access control systems and will interface with electronic locks, produce audible warnings and reduce nuisance alarms by encouraging user compliance with access control procedures.

ELECTRICAL SPECIFICATIONS

Power:	12-24 VAC/VDC @ 250 mA
Local Control:	Keyswitch for Unit Reset/Bypass
Control Input:	N/O or N/C Alarm Shunt N/C Door Contact N/O Remote Reset/Bypass Voltage Sense Shunt
Control Output:	N/O and N/C Bypass/Keyswitch Status N/O and N/C Door Contact Status N/O and N/C Door Prop Alarm Status N/O and N/C Intrusion/Tamper Alarm Status Remote LED (used with ES450 output)
Adjustment:	Auto Reset 0 seconds - 5 minutes or Manual Reset Alarm Delay 0 seconds - 5 minutes or Infinite Silent Time 0 seconds - 90 minutes
Alarm:	Field selectable High - 103 dB @ 3 ft Low - 96 dB @ 3 ft

MECHANICAL SPECIFICATIONS

Dimensions:	ES4200-K0, K1, K2, K5, K6	4.6" w x 4.6" h x 2.30" d
	ES4200-K3, K4, K7	6.4" w x 4.6" h x 2.30" d
Key Switch:	Double Bit (K1)	SPST
	Barrel (K2)	SPST
	Rim hardware with cylinder (K3)	DPDT
	Rim hardware without cylinder (K4)	DPDT
	Medeco (K5)	DPDT
	Single bit key switch (K6)	DPDT
	Rim hardware w/ interchangeable core (K7)	DPDT

Finish: Painted - DSI Beige

DSI[®]
DESIGNED SECURITY, INC.
A Detex Company

1402 Hawthorne St.
Bastrop, Texas 78602
Toll Free: 1-800-272-3555
Phone: 1-512-321-4426
Fax: 1-512-321-9181
E-mail: dsi@dsigo.com
www.dsigo.com