

Microm HM340E

Rotary Microtome

Operation Manual – English

ex Ser. No 44481

© 2011 Thermo Fisher Scientific. All rights reserved.

Thermo Fisher Scientific Microm International GmbH is an ISO 9001 Company.

Thermo Scientific is the trading name of Thermo Fisher Scientific Microm International GmbH.

All other trademarks are the property of Thermo Fisher Scientific and its subsidiaries. Thermo Fisher Scientific makes every attempt to ensure that the information contained in this support documentation is correct and clearly stated but does not accept responsibility for any errors or omissions. The development of Thermo Scientific products and services is an ongoing process. Please ensure that any published information you use as a reference is up to date and relates to the condition of the product. If necessary, check with Thermo Fisher Scientific or your local Thermo Fisher Scientific representative.

This Operation Manual may not, in whole or in part, be copied, photocopied, reproduced, translated or converted to any electronic or other form without prior written consent of Thermo Fisher Scientific.

All information contained in this manual is proprietary and confidential, and the exclusive property of Thermo Fisher Scientific. This manual is protected by copyright and any reproduction is prohibited. It is only be used by the individuals to whom it has been made available through Thermo Fisher Scientific.

Contact addresses Anatomical Pathology

Microm International GmbH
part of Thermo Fisher Scientific
Otto-Hahn-Strasse 1a
69190 Walldorf
Germany
Tel: +49 (0)6227 836-0
Fax: +49 (0)6227 836-111
www.ap-walldorf.com
info.dxd.dewal@thermofisher.com

4481 Campus Drive
Kalamazoo
MI 49008, USA
Tel: 1-800-522-7270
Fax: + 1 269-372-2674
www.thermo.com/pathology



The Thermo Scientific Microm HM340E meets the following CE Mark requirements:
In Vitro Diagnostic Directive 98/79/EC

Welcome Dear valued customer,

Thank you for buying a Thermo Scientific instrument.

Before using the instrument you purchased, please read these operating instructions carefully to familiarize yourself with the proper operation and functions. To avoid risks to the operator and technical damage to the instrument, it must only be used in accordance with its intended use (page 11). Any other use of the instrument is considered improper! All warranties and guarantees would then be null and void.

This Operation Manual was specially written for the routine user working with the Rotary Microtome HM340E. The chapters contain useful and important information and should be considered during the daily routine work.

Only skilled or specially trained personnel should operate the microtome and perform such tasks as clamping the specimens, trimming and first-cuts, sectioning and transferring sections onto a slide. The regular safety standards as well as the regulations and hygiene measures of your respective lab should be strictly observed.

Please keep this Operation Manual near to the instrument for later consultation.

This Operation Manual will be supplied together with each instrument. Additional copies can be ordered at the nearest Thermo Fisher Scientific sales office by giving the serial number of the instrument (placed on the rear panel) the part number of the instruction manual and the number of version.

- English/German (printed version): 387863
- CD-Rom (including English, German, Italian, Spanish, French): 387864

Contents

Chapter 1	Important Information and Safety	08
	Symbols	08
	Safety	08
	Intended Use	11
Chapter 2	Introduction	12
	Description Rotary Microtome Microm HM340E	12
	Scope of Delivery	13
	Additional Equipment (optional)	14
	Technical Data Sheet	16
Chapter 3	Operating Instructions	17
	Setting up the Microtome	17
	Initial Start-up	20
	Operating Panel	22
	Display and Key Functions	23
	Hand Wheel Brake	23
	Cutting Process Indicators	24
	Section Counter	24
	Section Thickness Sum	25
	Remaining Distance to Front End Position	25
	Setting Section and Trimming Thickness	26
	Trimming and First Cuts	27
	Fine Feed	28
	Cutting Movement and Retraction	28
	Specimen Coarse Feed	30
	Time and Date	31
	Display Mode	31
	Turning off the “Retraction” Function	32
	Language Selection for the Display	33
	Factory Defaults	34
	Memory Function	34
	Rocking Mode Function	35
	Adapters for Specimen Clamping	36
	Adapter, non-orienting	36
	Adapter, orienting, Specimen Orientation	36
	Changing and/or Fastening Specimen Clamps	37
	Readjusting Specimen Clamps	38
	Specimen Clamping	39
	Universal Cassette Clamp	39
	Universal Cassette Clamp, adjustable	39
	Standard Specimen Clamp	40
	Insert for Round Specimens, V-Insert and V-Distance piece	41

	Foil Clamp	42
	Segment Arc and Universal Specimen Holder	43
	Knife and Blade Carriers	43
	Disposable Blade Carrier “ER”	44
	Disposable Blade Carrier “E”	46
	Knife Carrier “C”	48
	Re-adjusting Knife and Blade Carriers	50
	Section Waste Tray with Integrated Arm Rest	51
	Large Field Magnifier	51
Chapter 4	Working with the Microtome	53
	Sectioning Instructions	53
	How to Avoid Malfunctions	56
	Possible Sources of Errors – Cause and Removal	57
Chapter 5	Maintenance and Care	58
	Cleaning and Care	58
	Maintenance	59
	Replacement Work	60
Chapter 6	Conditions for Transportation	61
	Returning the Instrument for Repair or Routine Maintenance	61
	Disposal of the Instrument after Final Shutdown	62
Chapter 7	Warranty Statement and Certification	63

Chapter 1

Important Information

Symbols

The following symbols and conventions are used throughout this manual and on the instrument.

WARNING OR CAUTION

SPECIAL PRECAUTIONARY MEASURES TO PREVENT DAMAGE TO EQUIPMENT. FOR A LONG LIFETIME OF THE EQUIPMENT, PLEASE OBSERVE THESE INSTRUCTIONS CAREFULLY.

Note:

Special Instructions regarding operation of the instrument



HAZARD OF HAND INJURIES

DUE TO MOVING PARTS IN CONNECTION PROCEED WITH CAUTION TO PREVENT HAND INJURIES FOLLOW OPERATION MANUAL.



CAUTION – GENERAL DANGER SPOT

THE INSTRUCTIONS MUST STRICTLY BE OBSERVED WHENEVER THIS SYMBOL IS VISIBLE ON THE INSTRUMENT. DO NOT OVERRIDE SAFETY FEATURES BUILT INTO THIS INSTRUMENT.



BIOHAZARD

WARNING ABOUT BIOLOGICAL DANGER.



WASTE DISPOSAL

SEPARATE TAKING BACK OF ELECTRICAL AND ELECTRONIC INSTRUMENTS IN COUNTRIES OF THE EUROPEAN UNION; THIS IS APPLICABLE IN COUNTRIES OF THE EUROPEAN UNION AND OTHER EUROPEAN COUNTRIES WITH A SEPARATE COLLECTING SYSTEM FOR ELECTRONIC WASTE. THIS PRODUCT MUST BE DISPOSED OF WITHIN THE WAST MANAGEMENT REGULATIONS.

Safety



CAUTION!

ONLY OPERATE THE INSTRUMENT IN ACCORDANCE WITH THIS OPERATION MANUAL. PLEASE OBSERVE THE FOLLOWING GENERAL PRECAUTIONS DURING OPERATION. FAILURE TO COMPLY WITH THESE PRECAUTIONS VIOLATES SAFETY STANDARDS AND THE INTENDED USE OF THE INSTRUMENT. THERMO FISHER SCIENTIFIC IS NOT LIABLE FOR MISUSE OF THE INSTRUMENTS AND FAILURE TO COMPLY WITH BASIC SAFETY REQUIREMENTS.



GROUNDING THE INSTRUMENT

TO AVOID INJURY FROM ELECTRICAL CURRENT, THE INSTRUMENT MUST BE PROPERLY CONNECTED WITH A PROTECTIVE GROUND WIRE. THE INSTRUMENT IS EQUIPPED WITH A THREE PRONGED PLUG. THE POWER OUTLET MUST BE CONNECTED WITH A GROUND WIRE AND MUST MEET THE INTERNATIONAL ELECTROTECHNICAL COMMISSION (IEC) REGULATIONS. DO NOT CUT, DEFORM OR REMOVE ANY OF THE PRONGS FROM THE POWER CORD. DO NOT USE WITH AN EXTENSION CORD AND USE SEPARATE POWER SOCKET FOR IT.



CAUTION: HIGH VOLTAGE

NEVER REMOVE INSTRUMENT COVERS DURING OPERATION. COMPONENT REPLACEMENTS AS WELL AS ADJUSTMENTS MUST ONLY BE MADE BY TRAINED SERVICE PERSONNEL. UNPLUG THE UNIT BEFORE REMOVING OR OPENING THE COVERS.



INSTRUCTIONS FOR USING MICROTOME KNIFE

TO DIMINISH THE DANGER OF BEING INJURED BY THE KNIFE OR BLADE, USE THE KNIFE GUARD WHEN ADJUSTING SPECIMEN AND KNIFE. IF POSSIBLE, THE SPECIMEN SHOULD BE CLAMPED IN BEFORE THE KNIFE IS INSERTED INTO THE KNIFE HOLDER. BEFORE CHANGING THE KNIFE HOLDER, ALWAYS REMOVE BLADE OR KNIFE! UNUSED KNIVES SHOULD ALWAYS BE KEPT IN A KNIFE CASE. NEVER PLACE THE KNIFE WITH THE CUTTING EDGE UPWARDS. DO NOT TRY TO CATCH A DROPPING KNIFE! DO NOT CHECK THE SHARPNESS OF THE CUTTING EDGE WITH YOUR FINGERS. THE CUTTING EDGE IS EXTREMELY SHARP!



CAUTION – NOTIFY A SERVICE TECHNICIAN!

NOTIFY AN AUTHORIZED SERVICE TECHNICIAN IF A PROBLEM OR SUSPECTED PROBLEM OCCURS. PROPER SERVICING IS REQUIRED FOR CONTINUED COMPLIANCE WITH APPLICABLE SAFETY PRECAUTIONS.



DANGER IN FLAMMABLE ENVIRONMENT

THE INSTRUMENT MUST NOT BE OPERATED IN THE PRESENCE OF FLAMMABLE GASES.



MALFUNCTION HAZARD

TO AVOID DANGER OF MALFUNCTION OF AN INSTRUMENT, ONLY OPERATE IT IN A CONTROLLED ELECTROMAGNETIC ENVIRONMENT. DO NOT USE ANY TRANSMITTERS SUCH AS MOBILE PHONES IN CLOSE PROXIMITY. IN CASE OF MALFUNCTIONS AND/OR SERVICE WORK, PLEASE TURN OFF THE INSTRUMENT AND CONTACT YOUR LOCAL DEALER.



HAZARD OF RADIATION

WHEN WORKING WITH RADIOACTIVE SPECIMENS OBSERVE ALL APPLICABLE RADIATION SAFETY PROCEDURES. WHEN WORKING WITH RADIOACTIVELY CONTAMINATED MATERIAL, APPROPRIATE SAFETY AND DISINFECTION MEASURES MUST BE CARRIED OUT. IN ACCORDANCE WITH THE RULES AND REGULATIONS OF THE RESPECTIVE LABORATORY, HANDLING OF RADIOACTIVELY CONTAMINATED MATERIAL, SAFETY CLOTHING (E.G. PARTICLE MASK, GLOVES, PROTECTIVE SHOE COVERS) MUST BE WORN. RADIOACTIVE CONTAMINATED WASTE MUST BE DISPOSED IN ACCORDANCE WITH THE RESPECTIVE REGULATIONS.



HAZARD OF BIOLOGICAL DANGER

SPECIMENS USED DURING THE INTENDED OPERATION OF THE INSTRUMENT MIGHT POTENTIALLY BE INFECTIOUS. FOR THIS REASON, IT IS RECOMMENDED TO OBSERVE THE GENERAL LABORATORY REGULATIONS CONCERNING INFECTION CONTROL PROCEDURES. INFORMATION ON DECONTAMINATION MEDIA, THEIR USE, DILUTION AND EFFECTIVE RANGE OF APPLICATION CAN BE FOUND IN THE LABORATORY BIOSAFETY MANUAL: 1984 OF THE WORLD HEALTH ORGANIZATION. WHEN WORKING WITH INFECTIOUS SPECIMENS OBSERVE ALL APPLICABLE SAFETY PROCEDURES. WHEN WORKING WITH INFECTIOUS MATERIAL, APPROPRIATE SAFETY AND DISINFECTION MEASURES MUST BE CARRIED OUT. ACCORDING TO THE INFECTION CONTROL PROCEDURES OF YOUR LABORATORY, SAFETY CLOTHING (E.G. PARTICLE MASK, GLOVES, PROTECTIVE SHOE COVERS) MUST BE WORN. INFECTIOUS WASTE MUST BE DISPOSED IN THE RESPECTIVE REGULATIONS.



WASTE DISPOSAL

ALL DEBRIS AND WASTE AS WELL AS INFECTIOUS AND RADIOACTIVELY CONTAMINATED MATERIAL FROM OPERATION MUST BE DISPOSED OF IN ACCORDANCE WITH THE REGULATIONS OF THE LAB. DISINFECTION AND CLEANING LIQUIDS AS WELL AS SECTION WASTE MUST BE DISPOSED OF ACCORDING TO THE REGULATIONS FOR SPECIAL WASTE DISPOSAL! REAGENTS MUST BE DISPOSED OF ACCORDING TO THE RESPECTIVE SAFETY DATA SHEETS OF THE MANUFACTURER!

Intended Use

The Microm HM340E rotary microtome from Thermo Scientific is a powerful electronic universal microtome for demanding paraffin sectioning and hard sectioning applications, especially in day-to-day medical and biological work and research as well as in industry.

Only skilled or specially trained personnel must operate the microtome, i.e. clamping the specimens, trimming and first cuts, sectioning and transferring sections onto a slide. The individual safety measures as well as the regulations and hygiene measures of your respective lab must strictly be observed.

Note!

This operating manual is part of the product. Always keep this manual near the instrument!

Chapter 2

Introduction

Description Rotary Microtome HM340E

The Microm HM340E rotary microtome from Thermo Scientific is a powerful electronic universal microtome for demanding paraffin sectioning and hard sectioning applications, especially in day-to-day medical and biological work and research as well as in industry.

The HM340E sets new ergonomical standards concerning operation and comfort. The instrument is equipped with a section waste tray with integrated arm rest. The waste tray is built around and under the knife/blade carrier for direct collection of section waste.

This model can be equipped with all compatible specimen clamps, knife and blade holders (see Additional Equipment) of the Rotary Microtome series. In addition, the stereomicroscope or the large field magnifier can be adapted.

The HM340E will cut sections in a range from 0,5 μm up to 100 μm . For the protection of knife and specimen, the instrument retracts the specimen at the end of the cut. If desired, the function <retraction> can be turned off. A trimming function with defined steps from 5 μm to 500 μm permits the fine adjustment up to the first cuts and results in larger section thicknesses when trimming.

The manual rotary movement of the hand wheel of the HM340E is converted into a vertical movement of the specimen clamping system. Sectioning is carried out by knives or blades, which must be adjusted and fixed on the knife/blade carrier.

The operating panel is placed on the left side of the microtome. It can be removed and used separately, also on the right side of the instrument. To do this, the operating knobs can be removed and installed on the other side of the operating panel. The touchpad keyboard is clearly arranged for easy and safe operation.

The selected section thickness, trimming thickness, section counter, sum of section thicknesses and remaining travel to the front end position as well as speed of the cutting movement, the operating mode and the current date and time are indicated on the display of the operating panel.

The number of the sections made can be shown on the section counter on the display. After each downward movement of the specimen holder, the number on the section counter increases by 1. The sum of the sections carried out can also be seen on the display. Trimming values and sectioning values are added up. Section counter and sum of section thicknesses can be reset to zero at any time by using of the RESET-button. The remaining travel to the front end position can also be shown on the

display. The remaining travel, which is still available for sectioning, is shown in microns. If the specimen holder is in the back end position, the display shows 28 000 µm. This number decreases, the further the specimen holder is moved towards the front.

For the users safety, the instrument is equipped with a mechanical hand wheel brake.

The knife/blade carriers are designed so that the knives/blades can be easily clamped in place and adjusted. The microtome is perfectly balanced for the use with the universal cassette clamp (715020). Using other clamps can result in slight object movements when the hand wheel brake is not activated.

The fast freezing unit KS-34 allows frozen sectioning with the specimen temperature as low as - 45° C.

Scope of Delivery Standard Equipment

The Rotary Microtome Microm HM340E is supplied with the following accessories:

Quantity	Description
1	Operating Panel
1	Section waste tray, big
1	Cover plate, brushed aluminium
1	Cover
1	Brush
1	Paraffin repellent Para Gard, 100 ml
1	Operation Manual, printed
1	CD-Rom with Operation Manual
1	Power Cord (230V)
1	Power Cord (115V)
1	Power Cord UK (optional, for deliveries to the UK)

Additional Equipment

Additional available equipment (optional)

Description	Cat.-No.
Section Transfer System STS	
Section Transfer System STS with Blade Holder TE	771200
Standard Specimen Clamp for STS	715550
Transfer Surface for STS	575170
Cool-Cut	
with Universal Cassette Clamp	771110
with Standard Specimen Clamp	771120
Fast Freezing Unit KS-34	
100...115V/50...60Hz	770210
220...240V/50...60Hz	770220
Knife and Blade Carrier	
Disposable Blade Carrier ER	705830
Disposable Blade Carrier E	705800
Knife Carrier C	705810
Standard Knife Carrier N	705820
Specimen Clamps	
Standard Specimen Clamp	715010
Universal Cassette Clamp	715020
Adjustable Universal Cassette Clamp	716130
Adjustable Universal Cassette Clamp, for Macro-Cassettes	716120
Adjustable Universal Cassette Clamp, for MacrOflow-Cassettes	716150
Foil Clamp	715030
Sandwich Supporting Material	176010
Insert for Round Specimens, Ø 6 mm	715070
Insert for Round Specimens, Ø 15 mm	715080
Insert for Round Specimens, Ø 19 mm	715280
Insert for Round Specimens, Ø 25 mm	715090
V-Insert	715100
V-Distance Piece	715320
Segment Arc	715590
Universal Specimen Holder	715060

Description	Cat.-No.
Optical Accessories	
Large Field Magnifier, 220 V	760160
Large Field Magnifier, 120 V	760170
Zoom-Stereomicroscope Zeiss Stemi 2000	755210
Adapter for Stemi 2000	532090
Ring Illumination, 100...240V/50...60Hz	760340
Disposable Blades	
SEC 35	152200
SEC 35e	152215
SEC 35p	152570
Microtome Knives	
Steel Knives, Type C	
12 cm	152010
16 cm	152020
18,5 cm	152270
22 cm	152030
Steel Knives, Type D	
12 cm	152060
16 cm	152070
22 cm	152080
Tungsten carbide Knife, Type D	
16 cm	152120
Knife Cases, Always for 2 Knives	
12 cm	152220
16 cm	152230
18,5 cm	152280
22 cm	152240
Paraffin Repellent, PARA GARD, 100 ml	350170
Lubrication Oil, 100 ml	350110
Lubrication Oil, 250 ml	350120

Technical Data Sheet

Microtome		Microm HM340E
Feed Section Thickness Range		0,5 – 100 µm
Resolution		0,5 µm from 0,5 – 5 µm 1 µm from 5 – 20 µm 2 µm from 20 – 30 µm 5 µm from 30 – 60 µm 10 µm from 60 – 100 µm
Trimming Thickness Range		5 – 500 µm
Resolution		5 µm from 5 – 30 µm 10 µm from 30 – 100 µm 20 µm from 100 – 200 µm 50 µm from 200 – 500 µm
Specimen Retraction During Return Travel		40 µm, disengageable
Horizontal Feed Range		28.000 µm
vertical specimen stroke		72 mm
Section Counter		5-digit, with reset
Section Thickness Sum		5-digit, with reset
Remaining Travel to Front End Position		5-digit
Specimen Size	when using a Standard Specimen Clamp	max. 55 x 50 mm
Specimen Size	when using a Macro-Specimen Clamp	max. 68 x 50 mm
Specimen Orientation	X- and Y-axes	universal 8°
Samples Rotation		360°
Storage Temperature Range		-20° C up to + 50° C
Operating Conditions	for indoor use only	+ 10° C up to + 40° C (at a max. rel. humidity of 60 %) altitude up to 2000 M.S.L.
Floor Loading Requirements		110 kg/m ²
Power Requirements		100...240 V 1,6 A +/-10% 50...60 Hz
Pollution Degree		2
Overvoltage Category		II
Sound Pressure		42 dB(A)
Dimensions		410 mm x 520 mm x 280 mm (wide/deep/high)
Weight		27 kg

Chapter 3

Operating Instructions

Setting up the Microtome

Cut through the bands around the carton.

- Open the carton.
- Remove the accessories.
- On the lower front and rear side of the instrument, there are two recessed grip to lift and carry the microtome

Note!

Do not use the hand wheel handles to lift or carry the instrument.

- Lift the microtome out of the carton.
- Choose a place for the microtome where the mains switch can be reached at all times.
- Place the microtome on a stable and vibration free table, as sectioning can be influenced by nearby instruments which generate vibrations.
- Hand wheel must be free and accessible in a comfortable way.
- Remove the separately packed section waste tray and install it at the base plate from the front side.
- Remove the separately packed cover plate and place it on the top of the microtome.
- In the rear part at the bottom of the instrument, there are sliding feed for an easy moving of the microtome.
- Slightly lift the base at the front end only and slide the microtome into place.

Note!

Remove the section waste tray to move or carry the instrument. The section waste tray can be pulled out of its proper position.

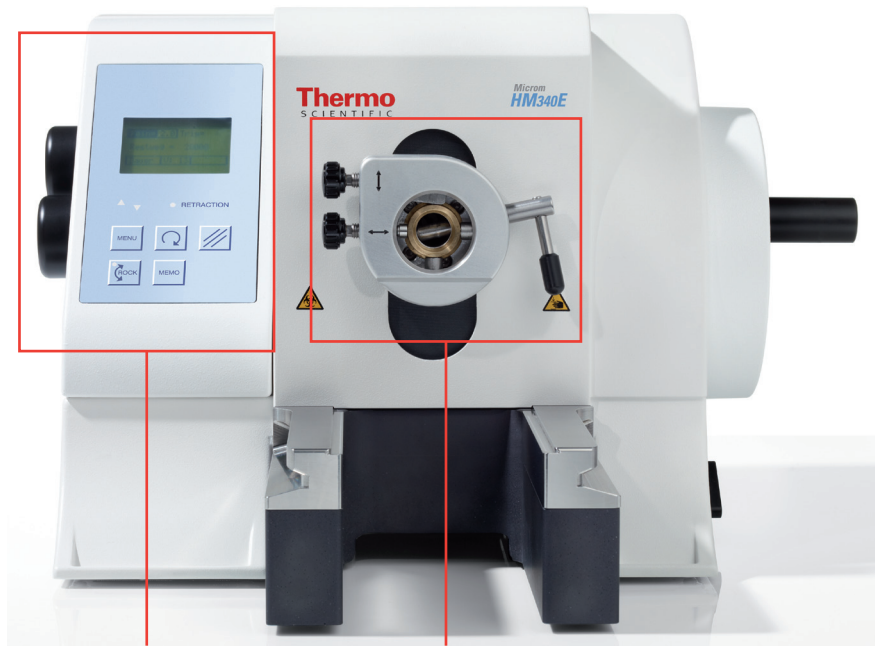
Note!

A safe function of the Microtome is only ensured, if the equipment possesses a temperature within the specified operating conditions (see technical data sheet, page 16). We highly recommend that the Microtome rests at least 2 hours after unpacking at ambient temperature before switching it on for the first time.

Note!

Before starting section, instrument, knife carrier and section waste tray should be treated with the included or any other commercially available paraffin repellent. This medium considerably reduces the adhesive property of paraffin sections to the individual parts (see page 14 and 15, standard and optional accessories)

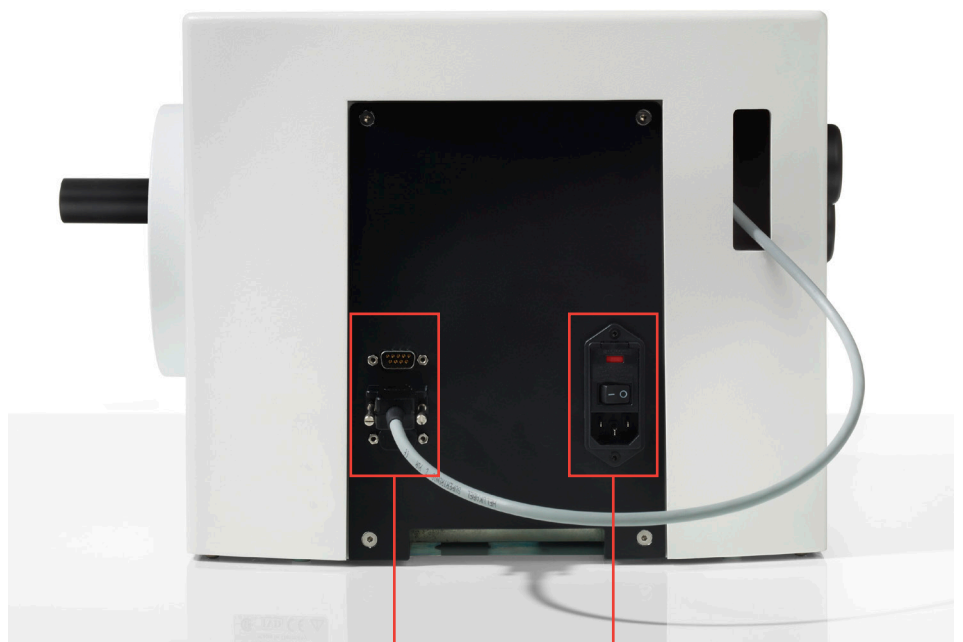
Frontal View



Operating Panel
(page 22)

Specimen Orientation
(page 43 ff)

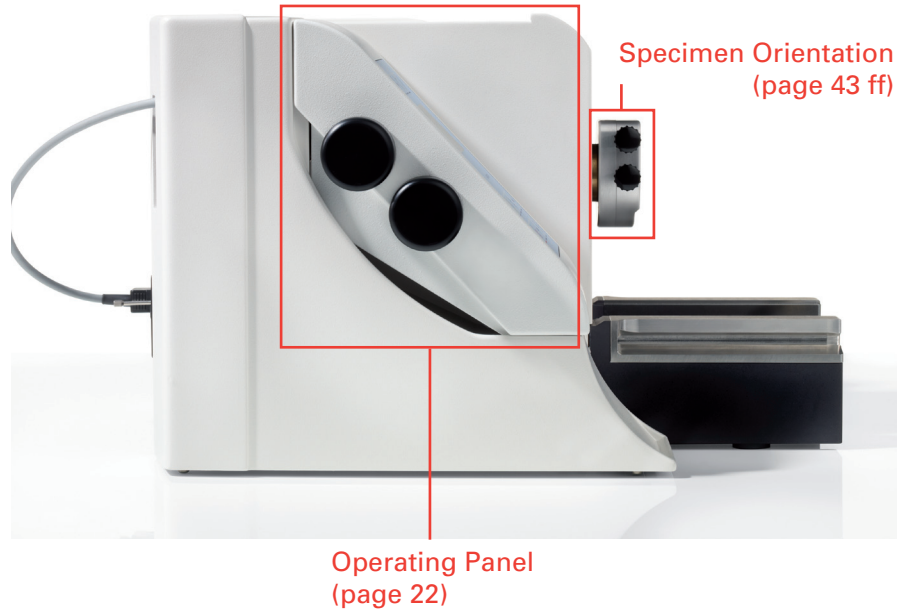
Rear View



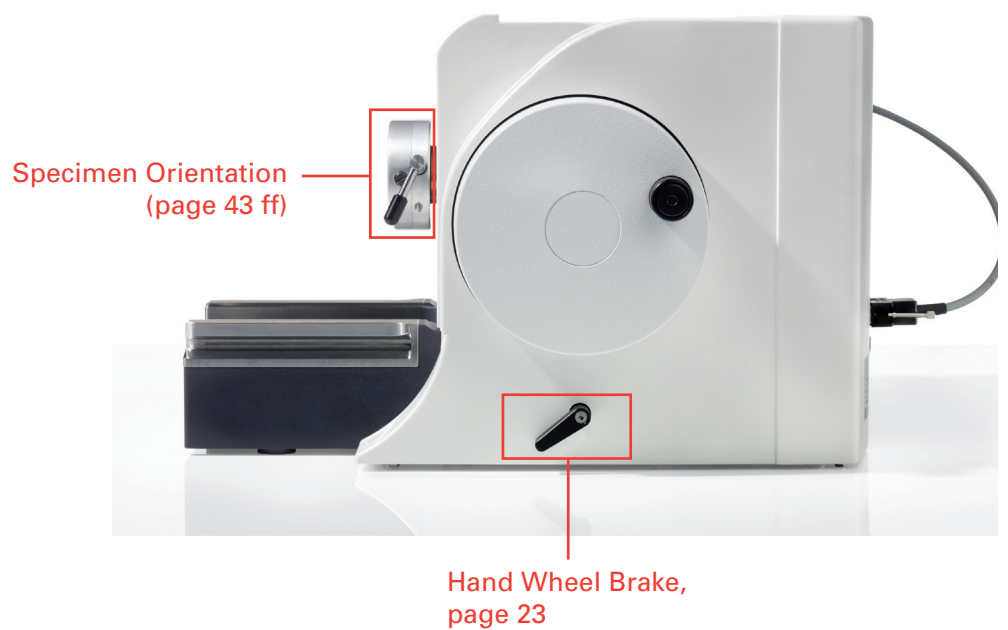
Connectors
(page 19)

Fuses – Power Switch –
Power Cord (page 20)

Lateral View Left Side



Lateral View Right Side

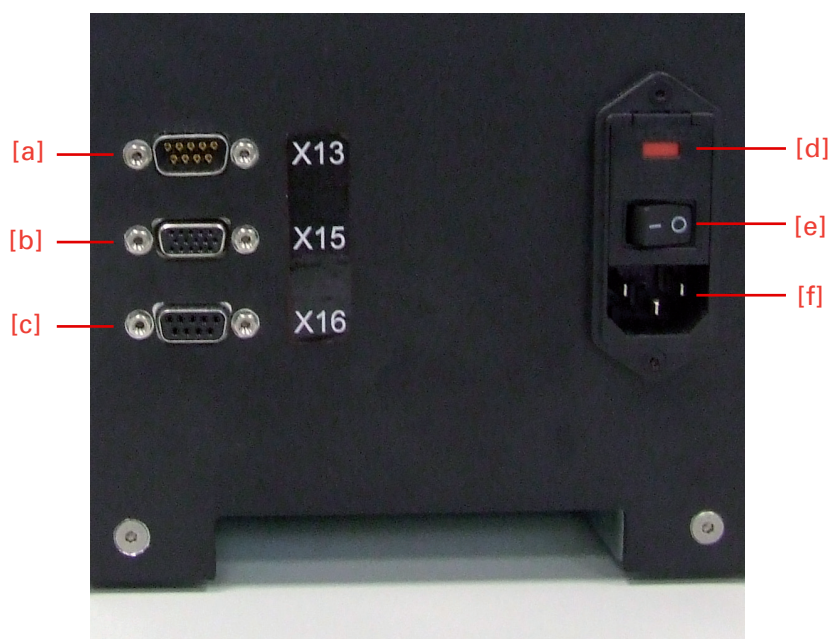


Initial Start-up

Note!

The type of examination materials used and all special conditions for their processing, pre-treatment and, if necessary, storage as well as instrument controls for correct and safe operation are the responsibility of the operator. The operator is also responsible for special equipment and materials and/or reagents used for the operation of the instrument.

The operating panel, which is packed separately, can be attached to the instrument or used freestanding. First connect the operating panel with the instrument:



- a For Service Purposes only
- b Operating Panel
- c not used
- d Cover For Fuses
- e Power Switch
- f Power Socket

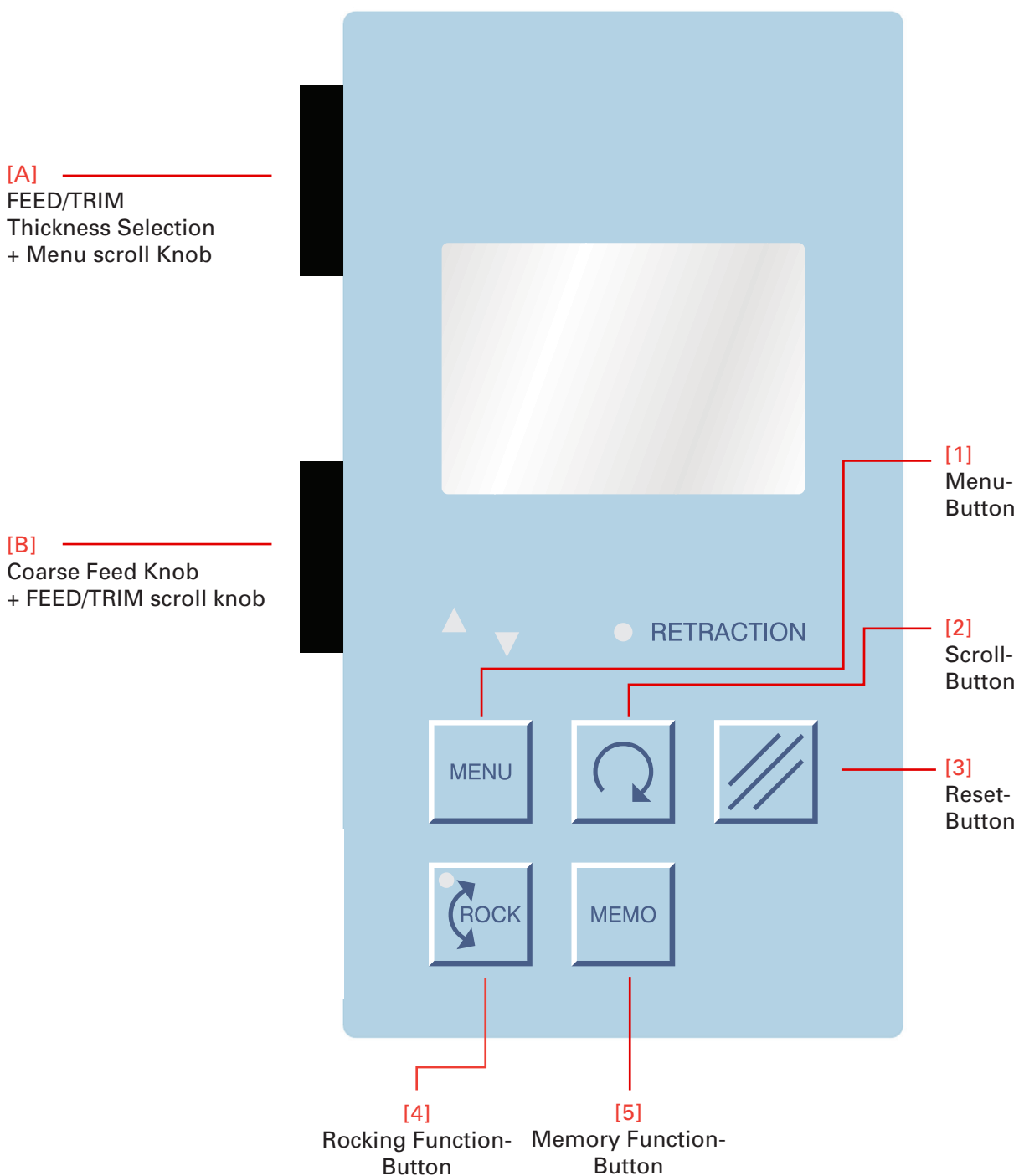
- Connect the cable of the operating panel to the connector (b) on the rear side of the microtome and fasten it with the two screws.
- Should the operating panel be attached to the instrument, push the connector through the corresponding hole on the rear side of the microtome.
- The operating panel can be used freestanding. It can be placed on the left as well as on the right side of the microtome.
- The knobs are separately packed and must be attached to the operating panel.
- The knobs can easily be removed and placed on the either side of the operating panel.

Operating Panel

The operating elements of the panel are clearly arranged and allow for a safe operation of the instrument.

Note!

The operating panel can be removed from the instrument and be used free standing.



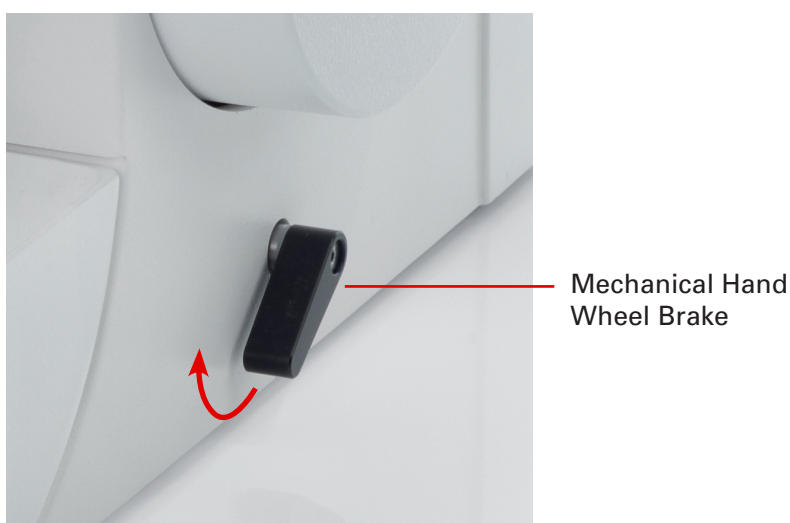
Display and Key Functions

Thermo Fisher Scientific Microtomes are designed to support your workflow. To achieve best results, take your time to get know the HM340E thoroughly before starting work.

Hand Wheel Brake

Note!

The microtome is equipped with a mechanical hand wheel brake. This prevents unintended movements of the specimen holder and knife/blade carrier. This reduces the danger of being injured when adjusting the specimen clamp and knife/blade carrier.



CAUTION!

For your personal safety, the hand wheel brake must always be activated when working on the specimen holder or knife/blade carrier.

Turn the lever downwards to unlock the hand wheel brake.

Pull the lever upwards in the direction of the arrow to lock the hand wheel. The hand wheel cannot be turned with a locked hand wheel brake.

Cutting Process Indication

In the middle line of the display information about the sectioning status can be seen.

- Press the “scroll button“ [2], to show a list of the functions on the display.

The following information on the current sectioning position of the instrument can alternatively be seen in the middle line of the display:

– number of sections

– sum of section thicknesses

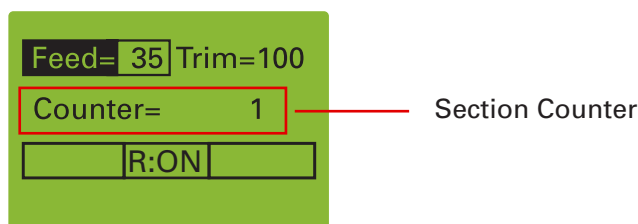
– remaining travel to the front end position

- To do so, press button [2] until the required information is shown on the display.

If no information is required in this line, press button [2] until this line of the display is blank.

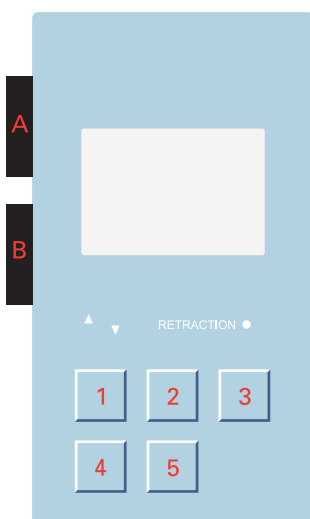
Section Counter

The middle line of the display shows information on the sectioning status.



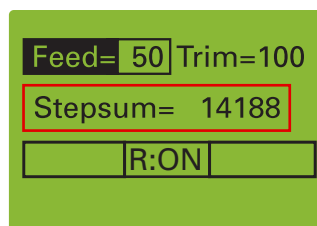
The section counter adds up the number of sections produced. After each downward movement of the specimen holder, the number on the section counter increases by 1.

The counter can be reset to zero by pushing the “reset button“ [3].



Section Thickness Sum

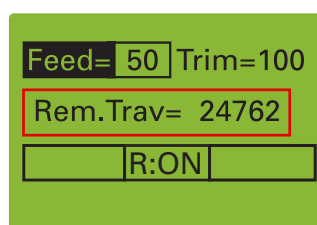
The middle line of the display shows information about the sectioning status.



This value shows the sum of the sections already cut in microns. Trimming values and sectioning values are added up.

To reset to zero press “section counter” reset button [3].

Remaining Travel to Front End Position

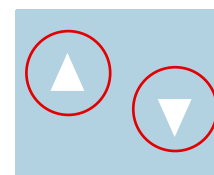


This value shows the distance in microns, which is left for sectioning in microns.

Note!

If the specimen holder is in the back end position, the display shows 28 000 μm . This number decreases the closer the specimen is moved to the front.

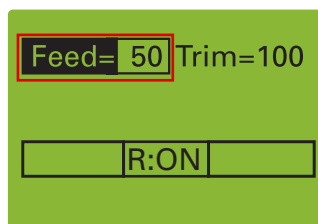
The end position is shown by a flashing LED.



Setting Section and Trimming Thickness

The required section and trimming thicknesses are set with the knob [A].

- To choose between section thickness and trimming thickness, press the knob [A]



In the NORMAL display mode the thickness range is indicated in the display.

FEED pre-selected section thickness

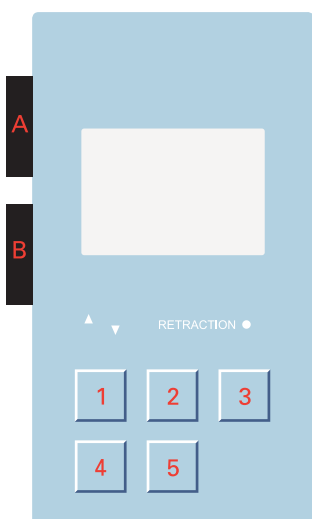
TRIM pre-selected trimming thickness

The graduation of the section thicknesses is divided into five ranges:

Range	Graduation
up to 5 μm	0,5 μm
from 5 μm to 20 μm	1 μm
from 20 μm to 30 μm	2 μm
from 30 μm to 60 μm	5 μm
from 60 μm to 100 μm	10 μm

The graduation of the trimming thicknesses is divided into four ranges:

Range	Graduation
up to 30 μm	5 μm
from 30 μm to 100 μm	10 μm
from 100 μm to 200 μm	20 μm
from 200 μm to 500 μm	50 μm

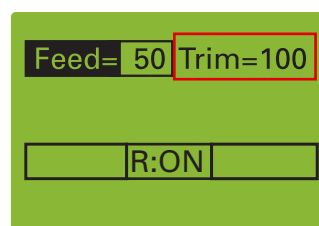


Trimming and First Cuts

After the specimen and the knife/blade are adjusted, further gradual feeding for trimming can be carried out using the function “trimming mode“. For different sectioning series, deeper layers of the specimen can be reached with the function “trimming“.

- Press the knob [A] for the section thickness setting to select TRIM.

When the instrument is operating in the NORMAL display mode, the TRIM value is shown with an outline.



In this mode, turn the knob [A] to alter the value.

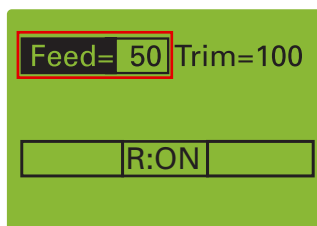
During each hand wheel rotation, the specimen holder is moved forwards by the pre-selected trimming value in the upper reversal point.

- Press the coarse feed knob [B] for further TRIM feed.

Whenever this knob [B] is pressed, the specimen holder is moved forward by the amount of the pre-selected trimming value using knob [A].

Fine Feed After having adjusted knife and specimen and having trimmed the specimen, sectioning can be started.

- Press the knob [A] to select the FEED section thickness setting.



In the NORMAL display mode, an outline around the value is shown on the display.

When this mode is activated, turn the knob to change the value.

- Turn the hand wheel in a clockwise direction to feed the specimen at the selected section thickness.

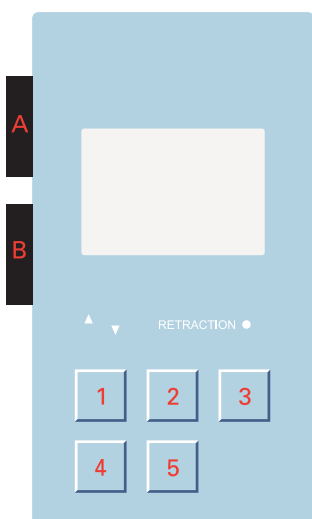
Cutting Movement and Retraction

The cutting movements of the microtome are generated by turning the hand wheel.

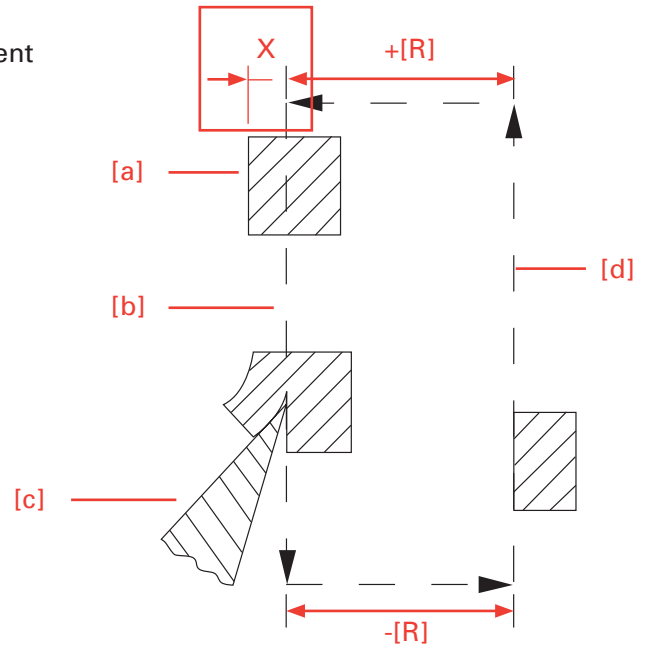
- To start the cutting movement of the microtome, turn the hand wheel clockwise.
- As the specimen moves down, sectioning is carried out (cutting movement b)

Continue turning the hand wheel to move the specimen back up (d).

To protect the knife and specimen during return travel, the specimen is retracted (R).



- X Selected Section Thickness
- a Specimen
- b Cutting Movement
- c Knife
- d Return Travel
- R Retraction



The yellow LED Retraction lights up. If desired, the function <retraction> can be turned off.

RETRACTION ●

Specimen Coarse Feed

After changing the specimen or moving the knife or knife carrier, it is necessary to adjust the specimen to the knife edge again. This can easily be done by means of the specimen coarse feed and the defined trimming values.

For fast forward and backward moves between specimen and knife edge, the microtome has a motorized coarse feed system.

- The specimen holder is moved to the front as long as knob [B] for activating the coarse feed forward.

The feed speed is controlled by the turn angle. When knob [B] is only slightly turned forwards, the speed is slow. The speed will increase by turning knob [B] further towards the front.

- To move the specimen holder backwards, turn the knob [B] backwards, i.e. in the opposite direction of the user.

Turn angle increase will cause higher return speed.

If knob [B] is kept at a high speed for more than two seconds, the specimen will automatically move to the rear position.

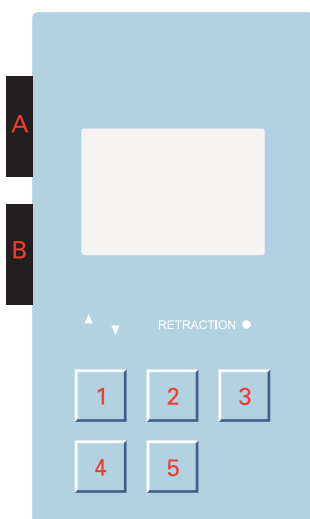
Automatic return movement can be stopped by briefly turning knob [B] in the opposite direction.

The coarse feed motor turns off after having reached the back end position.

When the specimen orientation is in the front end position, the red LED arrow (pointing downward) on the operating panel lights up.

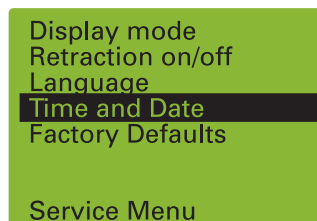
When the specimen orientation is in the back end position, the red LED arrow (showing upward) on the operating panel lights up.

Press the knob [B] to release trim feed with the selected value, even if the fine mode is active.



Time and Date With this part of the menu, the time and date can be set on the instrument.

Press the MENU button [1]



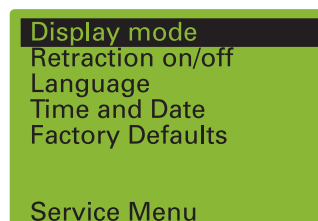
Select “Time and date“ by turning the knob [A] and confirm it by pressing.

Note!

The time and the date can be shown constantly in the normal display mode by pressing the scroll button [2].

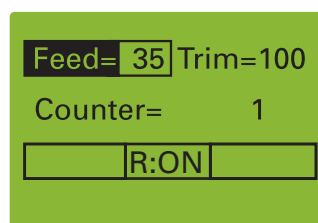
Display Mode The display mode can be selected in this position. It is possible to choose between a NORMAL and a LARGE display mode.

- Press the MENU button [1]



- Select the display mode by turning the knob [A] and confirm it by pressing it.

The normal display mode shows the selected fine and trim section thickness with additional status indications at the same time.



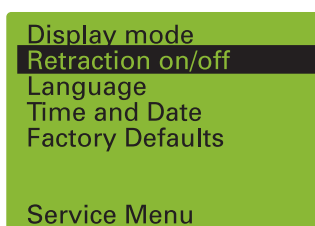
Large Display Mode



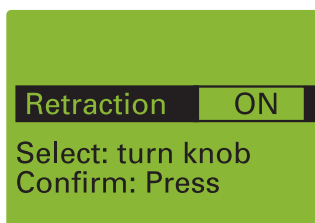
Turning off the "Retraction" Function

If desired, the function "Retraction" can be turned off.

- Press the MENU button [1]



- Select submenu "Retraction" by turning the knob [A].
- Press the knob to confirm the selection.



- Turn the knob [A] to select the desired function: ON or OFF
- Press the knob [A] to confirm the setting.

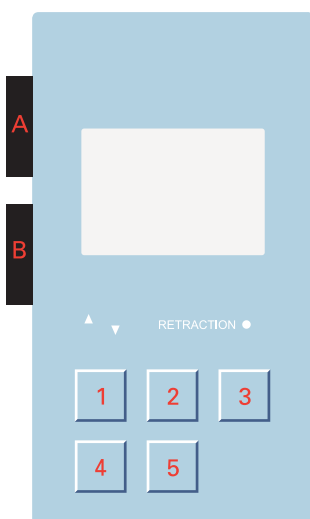
The yellow LED RETRACTION might stay on and will go off only after the specimen has been passed through the cutting movement by turning hand wheel.



- To turn the „Retraction“ mode on again, please proceed as described above.

Note!

The selected function is shown on the display as ON or OFF.



Language Selection for the Display

The information on the display can be shown in different languages.

-
- German

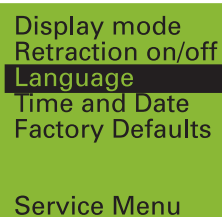
 - English

 - French

 - Spanish

 - Italian

- Press the MENU button [1]

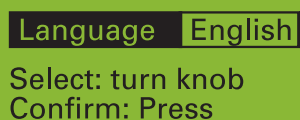


Display mode
Retraction on/off
Language
Time and Date
Factory Defaults

Service Menu

- In the sub-menu select „Languages“ by turning the knob [A]
- Turn the knob [A] to select the desired language.
- Press the knob [A] to confirm the selected language.
- Press the menu button [1] to return to the NORMAL display mode.

The display now shows the information in the desired language.



Language English
Select: turn knob
Confirm: Press

Factory Defaults

With this option, you return all settings to factory defaults.

Microm HM340E	Factory Defaults
Retraction	Off
Language	German
Fine	0,5 µm
Trim	5 µm

Note!

By selecting this function, language is reset to german!

Memory Function

Note!

The memory function is used to return to the same position as for first cuts. This function can only be used for the setting with which blocks are cut, which have been embedded in the same molds. The blocks must be of similar height.

- To set the so-called “first-cut-position“, move the specimen clamping forward with the coarse feed knob [B] until the specimen is positioned close to the knife edge.
- To store this position, press the button MEMO [5] for approx. 1 sec.

“Pos. stored“ is then briefly shown on the display.

- Then proceed with work (trimming, first-cuts, fine sectioning). When the work on the block has been finished, briefly press the MEMO button. The specimen clamping then moves backwards to unclamp the specimen and insert a new specimen.

The specimen surface is now in the “first-cut-position“.

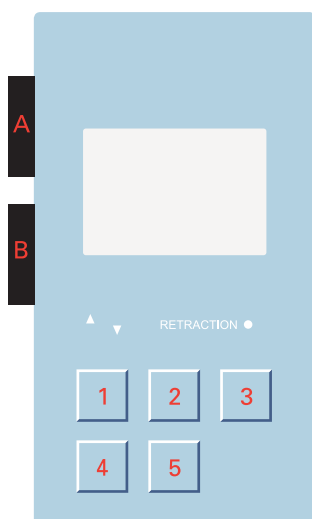
WARNING!

The stored cutting position can only be used effectively when blocks with the same height are cut. Neither adjustments on the knife carrier nor the knife carrier must be moved on the consoles.

WARNING!

When moving the knife carrier, a new first-cut-position must be selected. Otherwise the danger of a collision with injuries might arise.

When turning on the instrument again later, the first-cut-position must be selected and stored again for safety reasons.



Rocking Mode Function

Newly installed, allows you to perform manual sectioning in rocking mode. To cut the sample, you just move the hand wheel up and down.

Setting the Rocking Function

- Press the ROCK button [4] to start Rocking function.



- Press the ROCK button [4] again to turn it off.

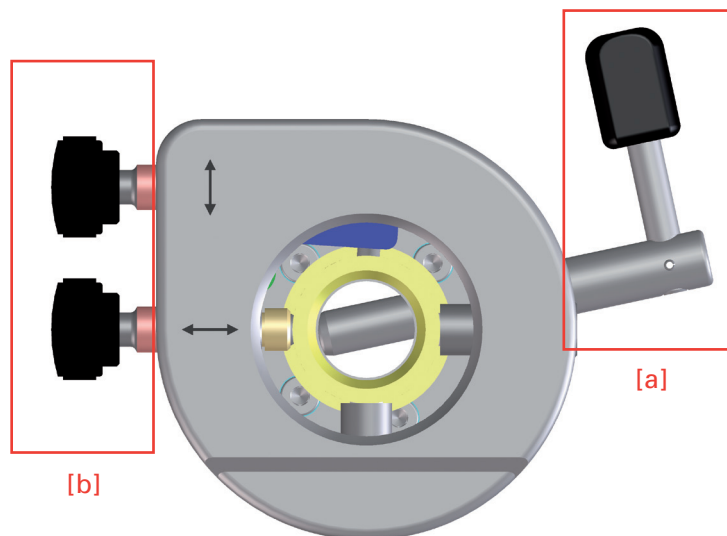
Adapters for Specimen Clamping

Adapter, non-orienting

This adapter serves for a non-orienting fastening of the specimen clamps directly onto the cylinder of the instrument.

Adapter, orienting, Specimen Orientation

This adapter serves for an orienting fastening of the specimen clamps. This allows the specimen to be aligned with the knife/blade.



To bring the specimen into the desired position, move the clamping lever [a] towards the front.

This will loosen the specimen clamp and a rotation of 360° on the cylinder axis (Z-axis) is possible.

With the two orienting screws [b], the specimen clamp can be moved 8° in each direction on the X-axis and Y-axis.

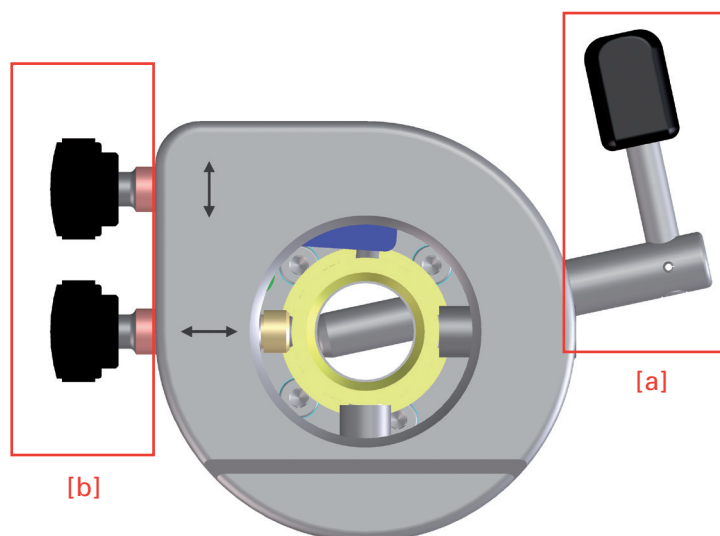
After having oriented the specimen, turn the lever [a] upwards to fix the specimen clamp in its position before starting sectioning.

Note!

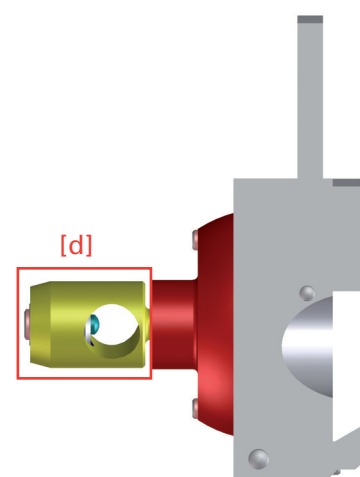
When turning the orienting screws [b] a slight resistance can be felt when the clamp is aligned parallel with the cutting surface.

Changing and/or Fastening Specimen Clamps

The available specimen clamps are all fastened or removed in the same way.



- To change the specimen clamping system, press the clamping lever [a] downwards and pull it to the side.
- Now the specimen clamp can be pulled to the front and another specimen clamp can be placed into the clamping system.
- Insert the new specimen clamp into the cylinder head so that the clamping lever [a] can be put through the hole of the orienting adapter [d] and pulled through from the right side.
- Then align the specimen clamp with the orienting screws [b] in the X- and Y-axis and orientate it on the Z-axis.
- Press the clamping lever upwards.



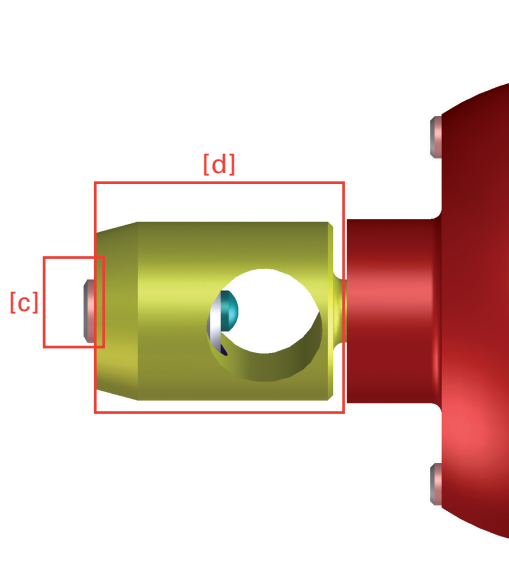
Re-adjusting Specimen Clamps

Note!

Frequent use of the clamping lever can result in loss of optimal clamping strength. If the necessary readjustment is not carried out, it might be possible that the specimen clamp does not clamp anymore.

The clamping lever [a] should be in an almost upright position.

- To determine the clamping position of the clamping lever [a], adjust the inner screw [c] on the backside of the orienting adapter [d] using an allen key (size 3 mm).
- Turn the allen key in a clockwise direction if no clamping is possible or if the position of the clamping lever [a] is too high.
- If the clamping position of the clamping lever [a] is too low, turn the allen key in a counter-clockwise direction.



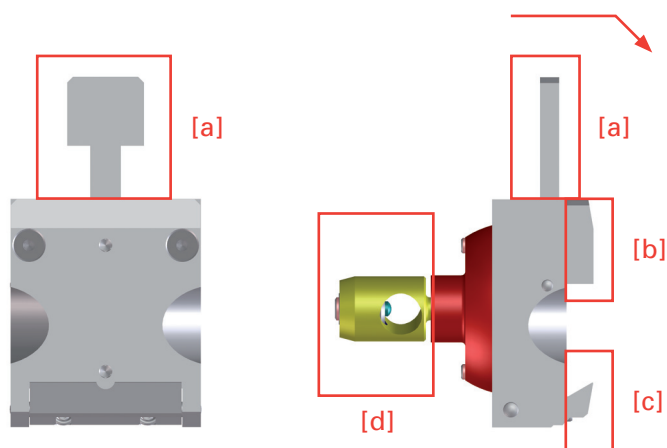
Specimen Clamping

Note!

To clamp specimens, different systems are available. With the orienting adapter it is simple to align the specimen properly to the knife.

Universal Cassette Clamp

The universal cassette clamp allows a quick change system.



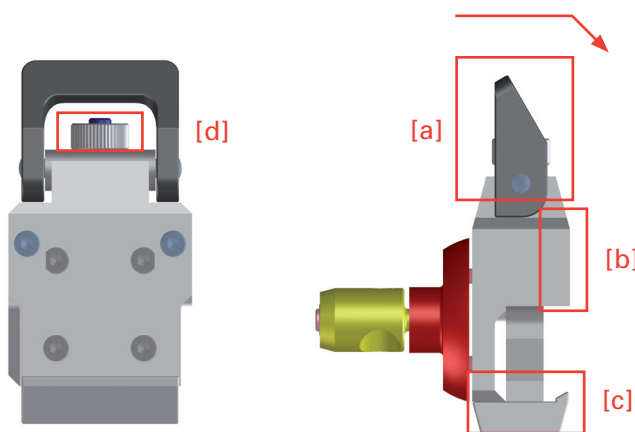
- To insert or remove the cassette from between the fixed [b] and movable [c] jaws, pull the lever [a] to the front (in the direction of the arrow).

Note!

To achieve optimal clamping keep the locating surface of the cassette free of paraffin.

Universal Cassette Clamp, adjustable

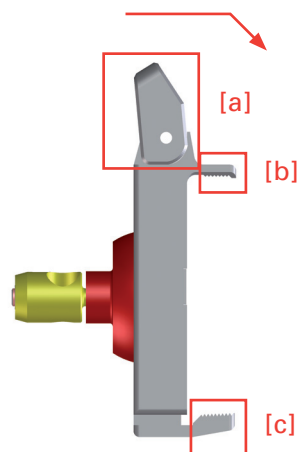
- To insert or remove cassettes between the fixed [b] jaw and the moveable jaw [c], move the lever [a] upwards.



- To adjust the size of a cassette size which is not to the norm, use the adjustment nut [d].

To cut big specimen, two different Macro-Universal-Cassette clamps (Macro-UCC, adjustable) are available for use with Macroflow-Cassettes or other commercially available Macro-Cassettes.

The unrestricted use of the Macro-UCC is only possible with ER blade carrier.

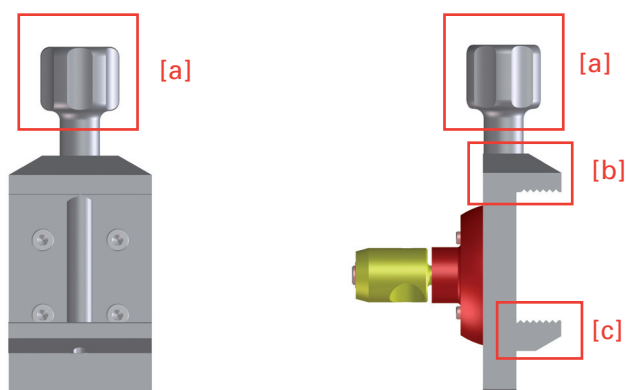


Note!

Maximum 68mm x 50mm specimen size can be cut. The Paraffin blocks in MacrOflow-Cassettes are 70-72mm long and should be trimmed to 68mm length manually.

Standard Specimen Clamp

The standard specimen clamp is used for rectangular and square paraffin and plastic blocks.



- Insert the specimen against the fixed jaw [b] first.
- Then tighten with the clamping screw [a] to tighten the specimen via the movable jaw [c].

Note!

For the stability of the specimen, do not let it project too much over the clamping jaws.

Note!

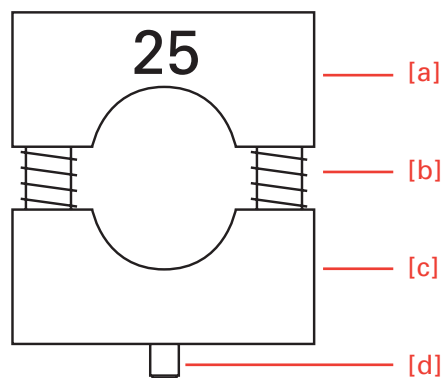
The standard specimen clamp is equipped with two different movable jaws [c], which are of different weight. The lightweight jaw is used with inserts for round specimens.

Note!

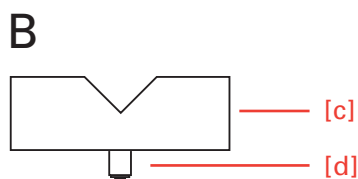
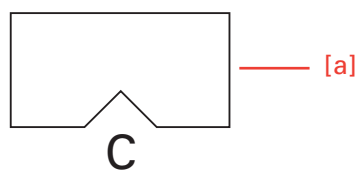
To exchange the movable clamping jaw [c], unscrew the clamping screw [a] to remove the jaw and replace it.

Insert for Round Specimens, V-Insert and V-Distance Piece

To cut round specimens, the insert for round specimens with defined diameters of 6, 15, 19 and 25 mm (special sizes on request) or the V-insert can be clamped into the standard specimen clamp.

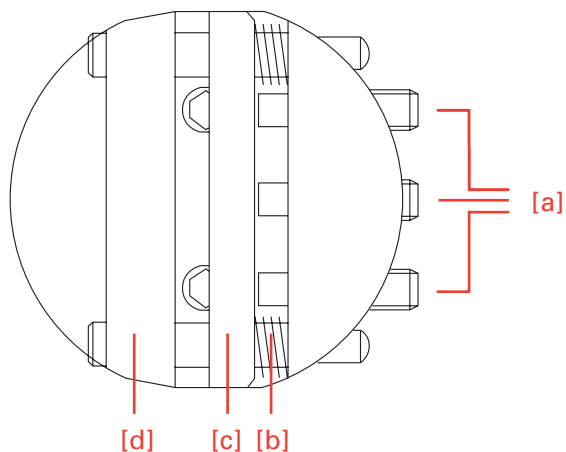


- The pin [d], which fits into the lower clamping jaws [c], positions the insert precisely. The two springs [b] help to remove the specimen from the inserts.



- To fasten the V-distance piece on the fixed jaw of the standard specimen clamp, the clamping screw must be unscrewed from the spindle.
- Pull the spindle off the clamp.
- After having inserted the V-distance piece, insert the spindle and the clamping screw again.

Foil Clamp The foil clamp is used for foils or thin specimens.



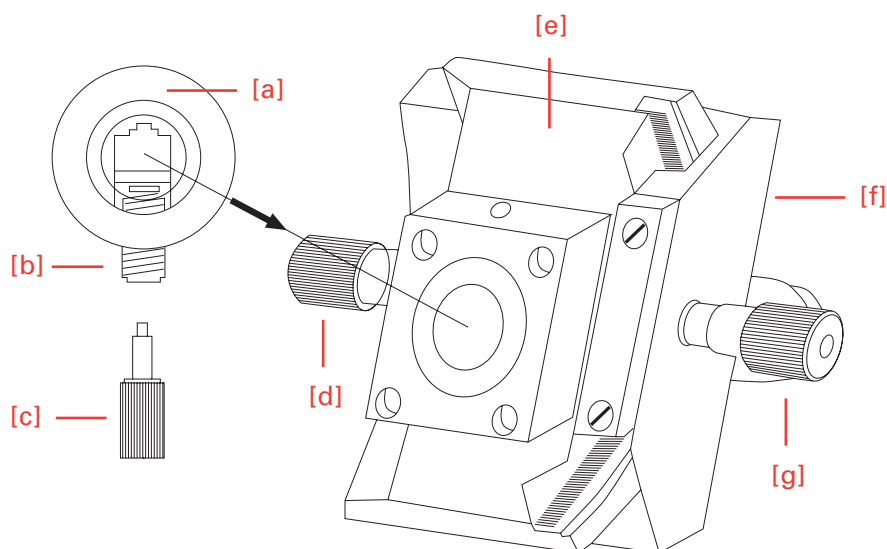
- To insert the specimen, loosen the three clamping screws [a] slightly and push the movable jaw [c] sideways against the two springs [b].
- The specimen is kept in place by the springs [b]; however, its position can be changed. Turn the three clamping screws [a] to clamp the specimen tightly against the fixed jaw [d].
- When using an orienting adapter with the instrument, first insert the enclosed graduated ring into the orienting adapter with the pin. With the graduated ring the orientation in X-/Y-direction is cancelled.
- However, it is possible to turn the Z-axis 60° in either direction.
- Then insert the foil clamp.

Note!

According to the various specimens, it might be helpful to use in addition Thermo Fisher Scientific's sandwich supporting material (Cat. No. 176010) on the right and left side between specimen and clamping jaw.

Segment Arc and Universal Specimen Holder

The segment arc and universal specimen holder are highly suitable for the clamping of small specimens embedded in plastic.



- The specimen is inserted in the holder [a] and clamped with the screw [b] with the hex head wrench [c].
- Then the holder together with the specimen is put into the segment carrier [e], where the holder can be turned 360°.
- Thus, the specimen can be aligned as required.
- Then, the holder is clamped into the selected position with the screw [d].
- The carrier [e] can be moved on the base [f]. This way, the surface of the specimen can be placed parallel to the knife/blade.
- The screw [g] is used to swing the carrier onto the base.

Knife and Blade Carriers

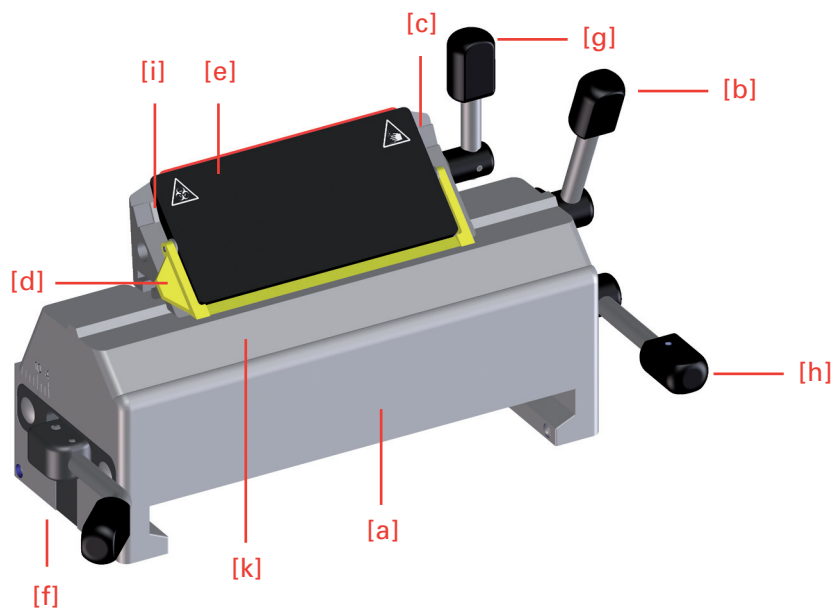


HAZARD OF HAND INJURIES

Due to moving parts of the microtome knife or blade, a danger area arises, which might lead to hand injuries if the safety features and the instruction manual are not followed carefully. The use of the knife or blade carriers of the microtome are easy; they can be moved sideways and are equipped with a knife or blade guard for user safety while adjusting knife or blade and specimen.

Disposable Blade Carrier "ER"

The disposable blade carrier ER is designed to take all commercially available high and low profile blades.



Using Low Profile Blades

- Insert the blade into the slot behind the clamping plate [e] by turning the clamping lever [g] towards the front. Swing the bracket [d] to the front.
- Loosen the clamping lever [g] and, if necessary, slightly push the lower part of the clamping plate [e] as well.
- Insert the blade on the rail [c] and push it from the side to the middle.
- Afterwards, return the clamping lever [g] upright, thus locking the blade in position.
- After loosening the clamping lever [b] and after having moved the bracket [d] upwards, move the blade together with the entire upper part without having to loosen the blade clamping.
- This way, the entire cutting length of the blade can be used.
- Then tighten the clamping lever [b].

The lever [b] can be removed by pulling it off towards the side.

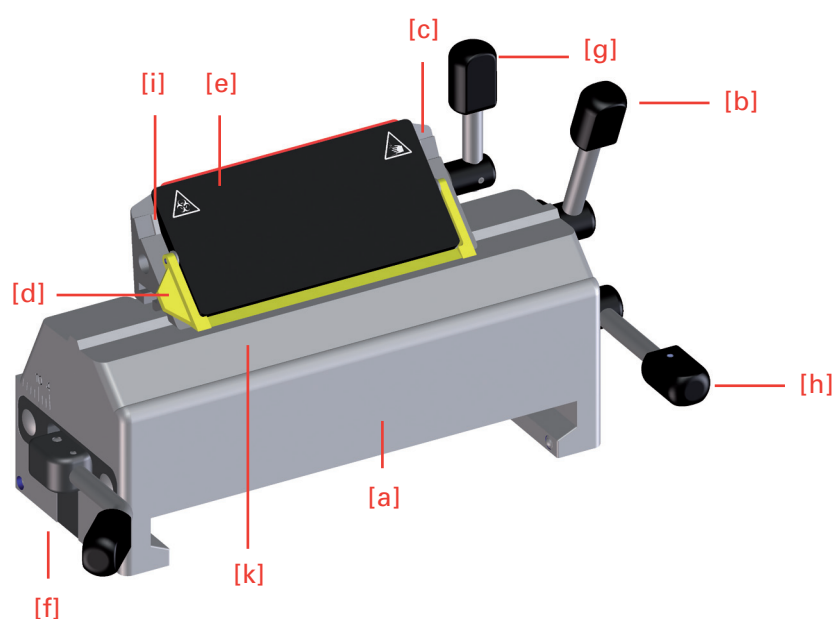
Using High Profile Blades

When using high profile blades, first remove the spacer strip [i].

- For this, turn the clamping lever [g] to the front until it stops.
- Pull off the clamping lever [g] and remove the clamping plate [e].
- Remove the spacer strip [i].
- Insert the clamping plate and clamping lever again.

Clearance Angle Adjustment

The clearance angle between cutting edge and specimen can be shifted and adjusted to the needed requirements of the tissue to be sectioned.



- Loosen the clamping lever [h] on the right side of the blade carrier and move the upper part [k] of the blade carrier on the base [a].

The adjusted clearance angle can be read on the scale on the upper part [k].

- Then turn the clamping lever [h] upwards to lock in the new clearance angle.

The clamping lever for the angle adjustment can be pulled off after a correct angle setting is reached to avoid that the angle is shifted accidentally.

Note!

From experience, usable cuts are only achieved at a clearance angle of 10° or more.

Moving the Blade Carrier on the Console

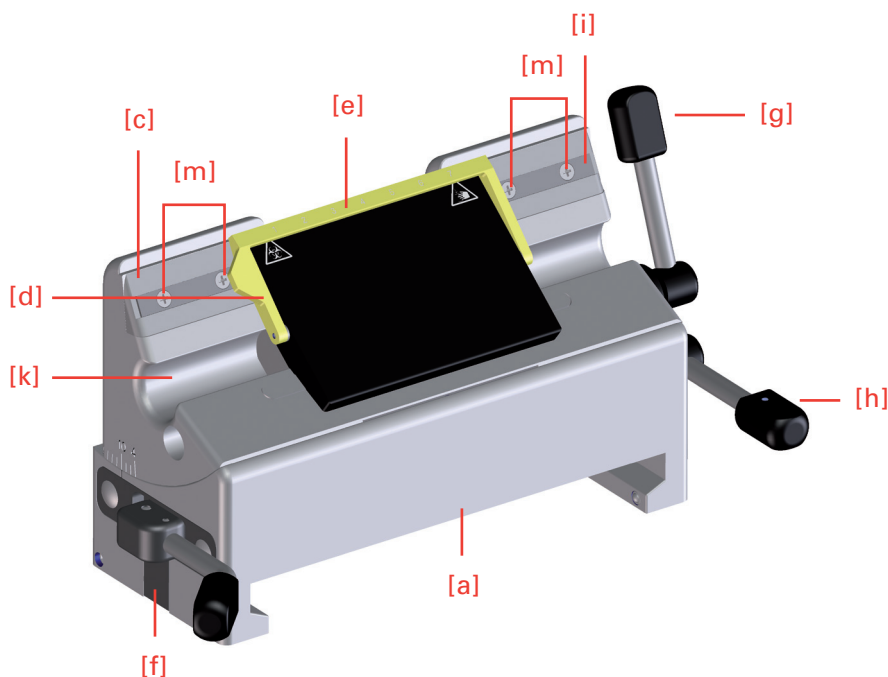
Loosen the clamping lever [f] on the left side of the blade carrier, to move the carrier forwards and backwards on the guide bars, this allows a rough adjustment of blade to specimen.

Protection Against Injury

A bracket [d] on the clamping plate can be moved upwards over the blade for protection against injury.

Disposable Blade Carrier "E"

The disposable blade carrier E is designed to take all commercially available high and low profile blades.



Inserting the Blade

Insert the blade into the slot behind the clamping plate [e]

- When using high profile blades, first loosen the four screws [m] and remove the spacer strip [i].
- Turn the clamping lever [g] to the front.
- Swing the bracket with scale [d] to the front.
- A small gap between rail [c] and clamping plate [e] can be seen.
- Insert the blade on the rail [c] and push it from the side to the middle.
- Afterwards, return the clamping lever [g] upright, thus locking the blade in position.

The bracket [d] is provided with a scale.

- After loosening the clamping lever [g] and after having moved the bracket [d] upwards, move the blade together with clamping plate [e] according to the scale to the left or right side.
- This way, the entire cutting length of the blade can be used. Then press the clamping lever [g] upwards.
- The levers [g] and [h] can be removed by pulling them off towards the side.
- The lever [g] can also be used on the left side. This way, the blade can be clamped with the left hand.

Clearance Angle Adjustment

The clearance angle between cutting edge and specimen can be shifted and adjusted to the requirements of the tissue to be sectioned.

- Loosen the clamping lever [h] on the right side of the blade carrier and move the upper part [k] of the blade carrier on the base [a].
- The adjusted clearance angle can be read on the scale of the upper part [k].
- Then turn the clamping lever [h] upwards to lock in the new clearance angle.

Note!

By experience, usable cuts are only achieved at a clearance angle of 10° or more.

If the clamping lever [h] is loosened, the upper part [k] of the blade carrier can additionally be moved 1 cm to the left or right side. This way, the cutting edge can optimally be used. The clamping lever for the angle adjustment can be pulled off after a correct angle setting to avoid that the angle is shifted accidentally.

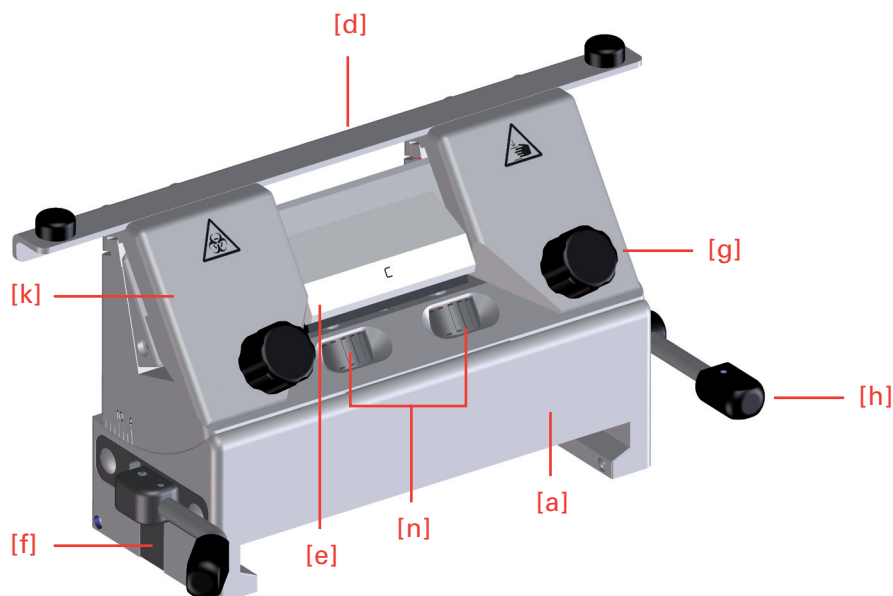
Moving the Blade Carrier on the Console

- Loosen the clamping lever [f] on the left side of the blade carrier, to move the carrier forwards or backwards on the guide bars. This allows a rough adjustment of the blade to the specimen.

Protection Against Injury

A bracket [d] on the clamping plate can be moved upwards over the blade for the protection against injury.

Knife Carrier "C"



Inserting the Knife

- To insert the knife, the clamping screws [g] must be unscrewed slightly so the knife can be pushed in from the side.
- The height of the knife is adjusted with the two knurled nuts [n].

If the cutting zone of the knife cannot be used anymore, it can be moved over its entire length to the left and right side by loosening the clamping screws [g]. This allows an optimal use of the entire knife edge.

CAUTION!

When clamping the knife, please tighten the two clamping screws [g] simultaneously.

Clearance Angle Adjustment

The clearance angle between cutting edge and specimen can be shifted and adjusted to the requirements of the tissue to be sectioned.

- Loosen the clamping lever [h] on the right side of the knife carrier and move the upper part [k] of the knife carrier on the base [a]. The adjusted clearance angle can be read on the side scale of the upper part [k].
- Then turn the clamping lever [h] upwards to lock in the new clearance angle.

The clamping lever [h] for the angle adjustment can be pulled off after a correct angle setting to avoid that the angle is shifted accidentally.

Note!

By experience, usable cuts are only achieved at a clearance angle of 10° or more.

If the clamping lever [h] is loosened, the upper part [k] of the knife carrier can be moved 1 cm to the left or right side. This way, the cutting edge can be optimally be used.

Moving the Knife Carrier on the Console

Loosen the clamping lever [f] on the left of the knife carrier to move the carrier forwards and backwards on the guide bars. This allows a rough adjustment of knife and specimen.

Protection Against Injury

The knife carrier is equipped with two knife guards [d] which can be moved sideways. These knife guards should be pushed together in the middle while adjusting knife or specimen. This reduces the danger of injury considerably.

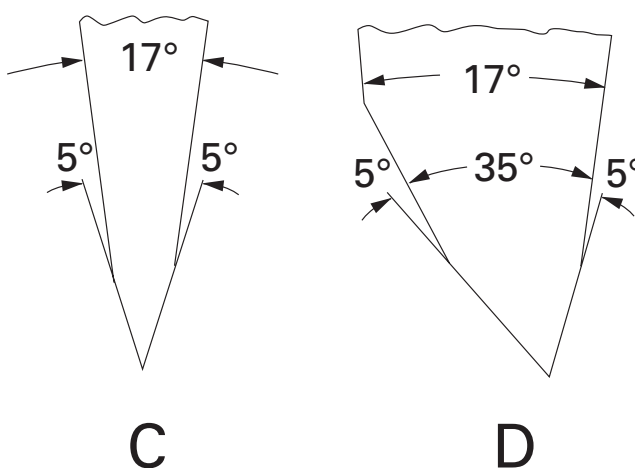
The knife is clamped and stabilized in the cutting zone by the central clamping plate [e] – exactly where the highest cutting forces are applied.

Central Clamping Plate

Two types of clamping plates [e] are available for the knives:

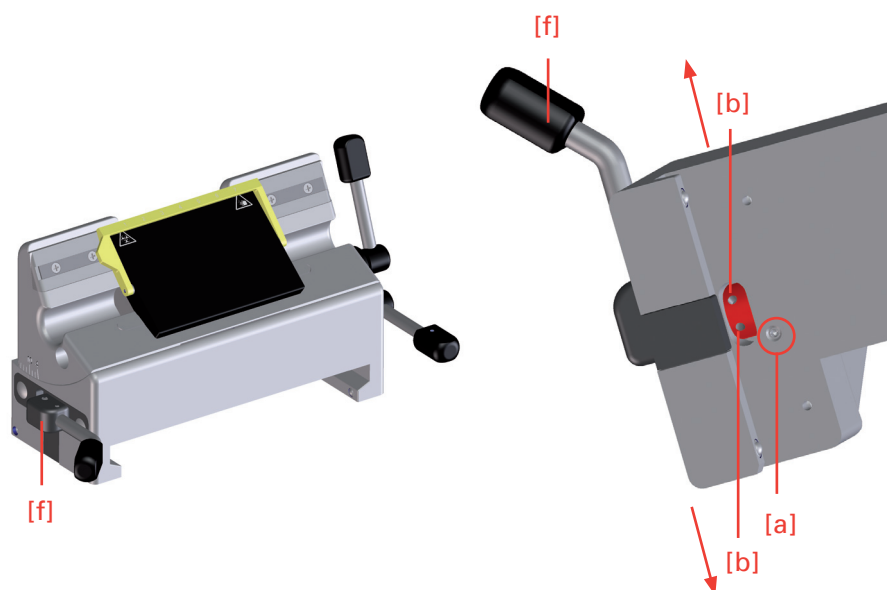
- Clamping plate c for c-knives
- Clamping plate d for d-knives

The graphic below shows the angles on the cutting edge profiles of c- and d-knives.



Readjusting Knife or Blade Carriers

Frequent use of the clamping levers can cause the knife or blade carriers not to optimally clamp any longer. If the necessary readjustments are not made, it might even be possible that the knife or blade carriers cannot be clamped anymore.



If the clamping lever [f] does not allow a sufficient clamping, the clamping can be adjusted as follows:

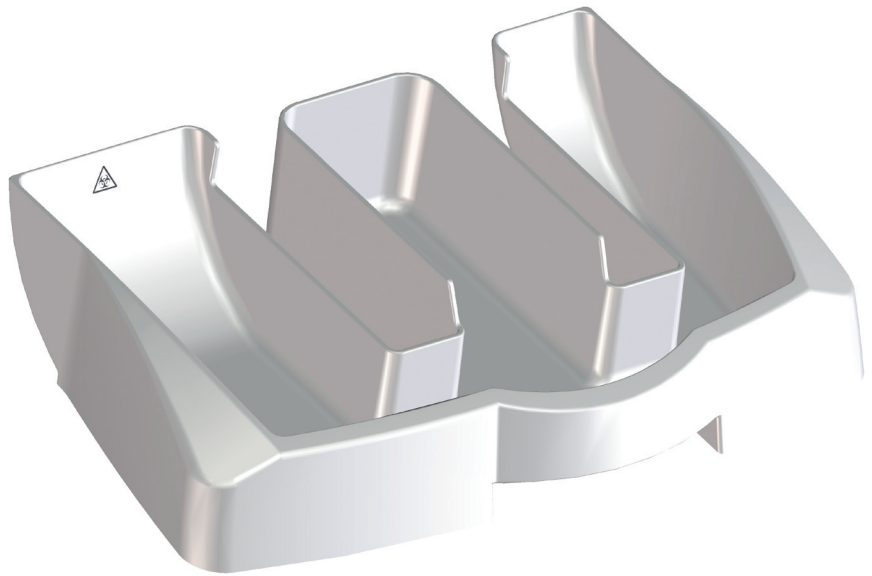
- Loosen the locking screw [a] on the lower side of the knife/blade carrier.
- Insert a pin into one of the holes of the adjusting screw [b] and turn the screw in the above shown directions.
- When the clamping is to be strengthened, turn the adjusting screw [b] to the right side.
- When the clamping is to be loosened, turn the adjusting screw [b] to the left side.
- Before inserting the knife or blade carrier again, tighten the set screw [a].
- Afterwards, push the knife or blade carrier onto the consoles and check the clamping function.

For optimum strength of the knife/blade holder, clamping should begin when the lever grip [f] is approximately parallel to the front end of the knife/blade holder.

If necessary, repeat the above-mentioned process.

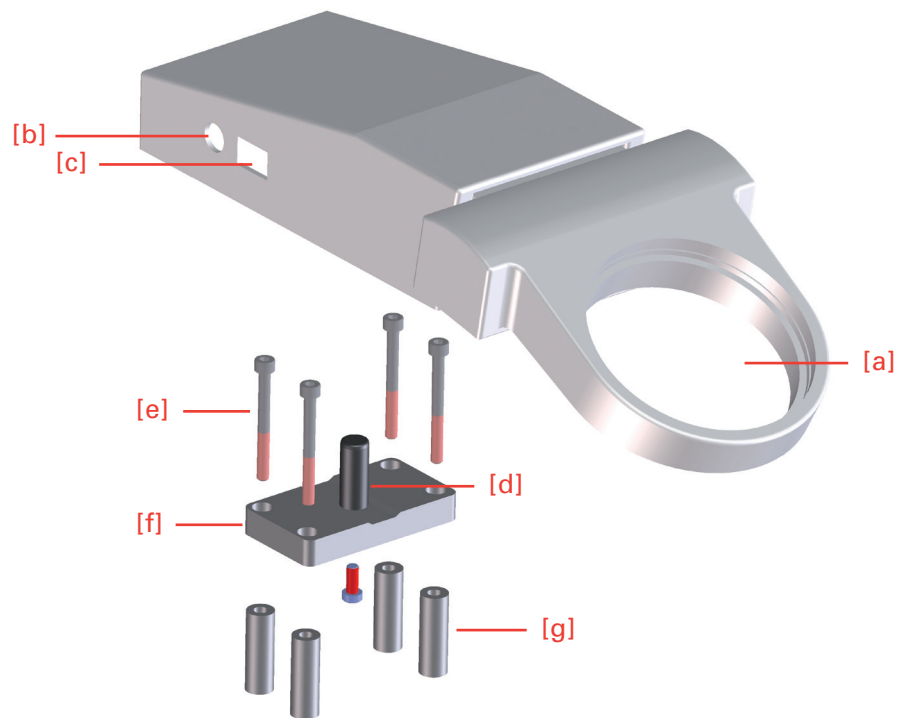
Section Waste Tray with integrated Arm Rest

The section waste tray fully surrounds the knife/blade holder and has an integrated arm rest, permitting fatigue-free use of the microtome. It is easy to clean and can be removed at any time by being pulled towards the user.



Large Field Magnifier

The large field magnifier has a 2,5 x magnification.



Connect the integrated light to the power outlet with the power cord [b] and turn it and off with the switch [c].

CAUTION!

Before using the large field magnifier for the first time, please check if the voltage conditions at the installation site comply with the power requirements and frequency noted on the supply unit of the magnifier.

ATTENTION!

The large field magnifier cannot be used in conjunction with the Cool-Cut.

Installing the Large Field Magnifier on the Microtome

Please use the enclosed fastening elements to attach the magnifier to the microtome.

- Remove the cover plate on the upper side of the microtome hood.
- Remove the front plastic caps from the upper side of the housing.
- Carefully introduce the four sleeves [g] into the drilled holes with guidance of the screws [e].

CAUTION!

Please be sure that the sleeves do not fall into the interior of the microtome!

Note!

Make sure the plate [f] is mounted in such a way that the peg [d] is closer to the front of the microtome!

- Put the plate [f] on the sleeves and fasten it to the microtome with four screws [e].
- Put the movable plastic socket, which is located at the lower side of the magnifier, on the peg [d].
- The magnifier can be adjusted forwards and backwards for the most comfortable viewing position.

Note!

If the large field magnifier is not used, slightly raise it and turn it sideways on the peg.

Chapter 4 Working with the Microtome



HAZARD OF HAND INJURIES

Due to moving parts on the microtome knife or blade, danger can occur, which might lead to hand injuries if the safety features of the microtome and the instruction manual are not complied with.

The knife or blade carriers of the microtome are easy to use; they can be moved sideways and are equipped with knife guards for user safety while adjusting knife or blade and specimen.

Sectioning Instructions

Note!

To cut usable sections, the following points are of utmost importance:

Conditions of Knife/Blade Edge

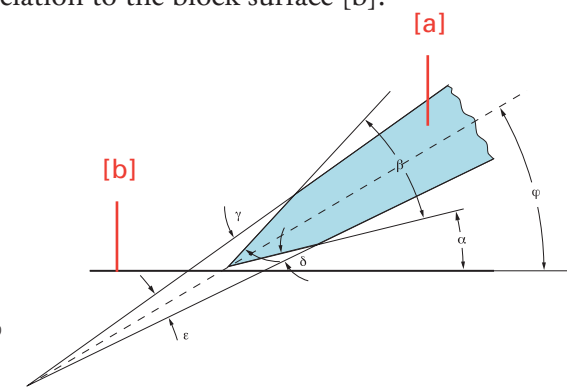
ONLY USE A **SHARP** KNIFE!

- If the cutting edge is blunt, move the knife/blade horizontally either to the right or left side to continue working with the sharp area of the cutting edge, or have the knife re-sharpened or replace the used blade by a new one.
- For optimal sectioning, front and back of the knife must be clean.
- Especially paraffin waste must be removed thoroughly!

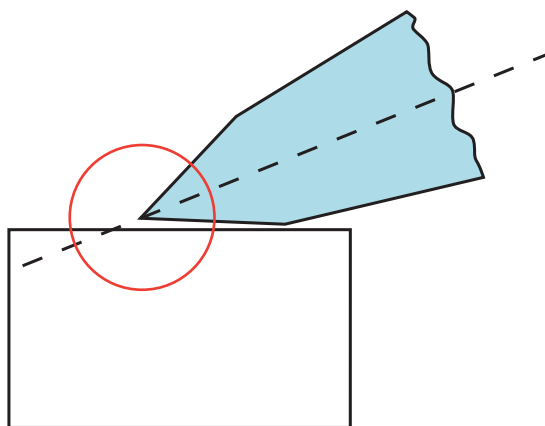
Setting the Cutting Angle

Angle of the knife [a] in relation to the block surface [b]:

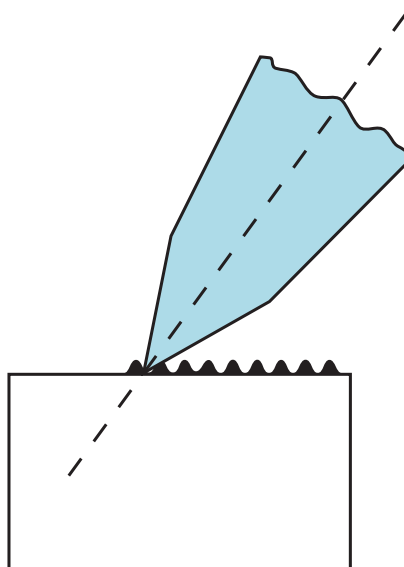
- 1 Clearance angle α
- 2 Wedge angle β
- 3 Upper sharpening angle γ
- 4 Lower sharpening angle δ
- 5 Blade angle ε
- 6 Angle of inclination φ



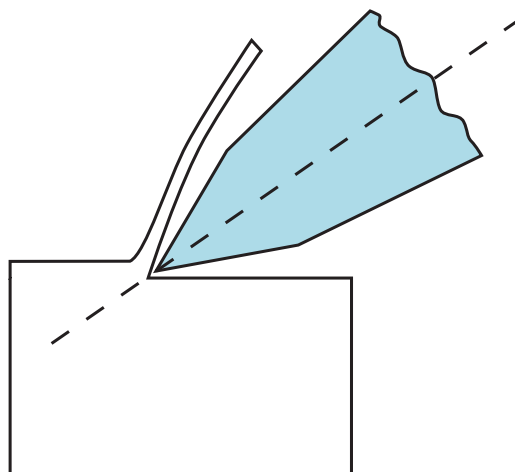
The knife/blade must never be placed on an angle that is too flat since the knife/blade does not cut into the block at all this way. Only the rear side slides over the sectioning surface.



An angle, which is too steep, is also unfavorable as the knife/blade might vibrate too much while sectioning. The so-called “chatters” appear on the block surface as well as on the sections as parallel stripes having negative effects on the microscopical evaluation.



Between these two limit cases, the correct knife angle must be determined. A clearance angle between facet angle and block surface of approx. 5° is normal.



CAUTION!

Different microtome producer use different scaling for their clearance angle adjustment, resulting from different calculation bases. The clearance angle might refer to the facet surface or to the angle between knife main surface and block surface. As the facet has a divergence from the knife main surface of approx. 5° , the resulting difference is approx. 5° . THEREFORE, SET THE CORRECT ANGLE ON THERMO SCIENTIFIC MICROM INSTRUMENTS AT 10° .

How to Avoid Malfunctions

Specimen preparation:

When preparing specimens, be sure that a suitable embedding medium, fixation, dehydration and infiltration time are chosen.

Specimen temperature:

Sectioning is carried out at ambient temperature (excluding frozen sections). If the temperature is too high, the paraffin softens. Therefore, avoid heating paraffin specimens by direct exposure to sunlight or other near sources of heat.

Tightening the clamping screws:

Tighten all clamping screws and clamping levers on the knife/blade carrier, specimen holder and specimen orientation.

Selection of the knife/blade:

Carefully select the required knife/blade material and profile.

Adjustment of the knife/blade:

Carefully adjust the proper clearance angle of the knife: 5 – 7° for glass knives. For settings for diamond knives ask the knife manufacturer. Select a clearance angle adjustment of 5 – 15° according to the facet angle. Typically, adjust an angle of 10 – 12°. Take care to adjust knife height.

Cutting speed:

Always cut at proper speed.

Note!

General rule: The harder the material, the slower the cutting speed!

Trimming:

Carefully bringing the knife/blade and specimen together.

Possible Sources of Errors – Cause and Removal

Problem	Cause	Solution
thick-thin-sections	blunt knife/blade	move knife/blade or insert a new one
	knife/blade angle unfavorable clearance angle	adjust knife/blade angle, until an optimal angle can be found
	insufficient clamping on specimen clamping and/or knife/blade carrier	check all screw and clamping connections on specimen clamping and knife/blade carrier. Tighten them, if necessary
compressions	blunt knife/blade	move knife/blade or insert a new one
	specimen too warm	cool specimen
	unfavorable clearance angle	try clearance angle adjustments until an optimal angle can be found
"chatter" on sections	cutting speed too high	turn hand wheel slower
	cutting speed too high	turn hand wheel slower
	unfavorable clearance angle	try clearance angle adjustments until an optimal angle can be found
feed is not working, no sections are produced	insufficient clamping on specimen clamping and/or knife/blade carrier	check all screw and clamping connections on specimen clamping and knife/blade carrier. Tighten them, if necessary
	front end position has been reached	move specimen backwards with the course feed motor
tight hand wheel, partly	coarse feed motor is blocked	contact a service technician
	debris and section waste between microtome and base plate	remove section waste and clean microtome
tight hand wheel during the entire movement	dirty link block	contact a service technician
hand wheel will not turn	the mechanical hand wheel brake is on	Release the hand wheel brake by lowering the lever
instrument cannot be turned on	power cord not correctly connected	check power cord
	defective main fuse	check/replace the fuses in the fuse box

Note!

In case of malfunctions and/or service work, please turn off the instrument and contact your local dealer.

Chapter 5

Maintenance and Care

Cleaning and Care

Cleaning and care of the microtome should be carried out daily. Please proceed as follows:

- Turn off the mains switch of the instrument.
- Activate the mechanical hand wheel brake.
- Remove the knife/blade from the knife/blade carrier. Clean it and store the knife in a case!
- Remove section waste by using a dry brush.
- Pull the section waste tray towards the front and dispose of the section waste according to your specific lab regulations.

CAUTION!

Never put the knife with the cutting edge upward on the table!!

- Loosen the clamping lever on the left side of the knife or blade carrier and pull the knife/blade carrier towards the front.
- Clean the operating controls and the surfaces of the knife or blade carrier, especially the space where the knife or blade is installed.
- Clean the consoles, hand wheel, specimen clamping system, specimen orientation as well as the base plate and housing.

Note!

Mild domestic cleaners can be used to clean the microtome. Do not use aggressive cleaners or solvents, as the paint and plastic parts can be affected.

Note!

In order to avoid electrostatic loadings, clean housing only by using cotton or paper cloths. We highly recommend to not use any microfiber or polyester cloths!

WARNING!

When getting in contact with cleaning agents or paraffin repellents, e.g. Para Gard, the surface of the black cover ribbon behind the specimen clamping might be damaged. Please take care that the cover ribbon does not get in contact with these agents when cleaning the housing, knife or blade carrier or the base plate.

Maintenance

- Before starting sectioning, instrument, knife or blade carrier and section waste tray should be treated with commercially available paraffin repellent.

Note!

This considerably reduces the adhesive force of paraffin waste on the individual parts of the microtome.

Annual Routine Maintenance

To secure section quality and to insure proper functioning of the microtome, it is recommended that a routine maintenance be performed by a trained service technician once a year.

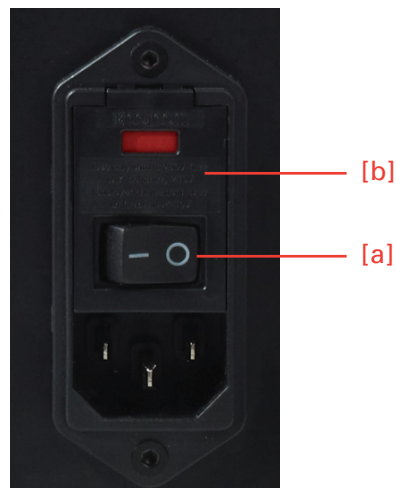
Service Contract

Thermo Fisher Scientific offers a service contract which guarantees that your instrument is always in perfect condition. For more information, please contact the nearest ThermoFisher Scientific sales office.

Note!

We strongly recommend to not carrying out repair by yourself. All warranties and guarantees would then be null and void! Repair work must only be carried out by an authorized service technician.

Replacement Work



Replacing the Fuses:

The two power fuses are located above the main switch [a] on the rear side of the microtome.

- To replace the two fuses, turn off the main switch [a] of the instrument and unplug it.
- Then open the cover [b] using a flat screwdriver.
- Pull out the fuse holders and replace the fuses with new ones.
- Put back the fuse holder completely and close the cover [b].

Rating of Fuses

For power requirements 100 – 240 V, 2 fuses T1,6AH, slow-blow

Chapter 6

Conditions for Transportation

Returning the Instrument for Repair or Routine Maintenance

Repair or maintenance works is normally carried out at the site of installation. If this is not possible for some specific reasons, the instrument can be returned to ThermoFisher Scientific. The contact address can be found in the front of this instruction manual.

To guarantee a trouble-free function of the instrument after transportation, please follow the instructions for transportation preparations.

In addition, the conditions for storage and transportation as mentioned in the Technical Data Sheet (see page 16), must be observed during the entire transportation.



Biohazard

Please also note the precautionary measures described in our safety precautions concerning biological hazards!

Measures for Taking out of Operation

- Turn off the mains switch of the instrument.
- Activate the mechanical hand wheel brake.
- Remove knife or blade and store it in a safe place.
- Remove the section waste tray.

For Transporting Outside Closed Buildings, please Observe the Following Measures

- Turn off the mains switch of the instrument.
- Activate the mechanical hand wheel brake.
- Remove knife or blade and store it in a safe place.
- Remove the section waste tray, the operating panel, the knife/blade carrier and the specimen clamp. These parts have to be packed separately.
- To lift the instrument, use the recessed grip on the lower front and rear side of the instrument.

CAUTION!

During transport, do not move the instrument by holding the hand wheel handle. Danger of injury!

Use the original packing material since it protects the instrument optimally during transport.

CAUTION!

Shipping of the instrument requires original packaging materials! Damages caused by shipping in non original packaging is not covered by the manufacturer warranty! Any damage repairs resulting from shipping in other material is charged to the shipping party. We reserve the right NOT to repair the instrument if it is too badly damaged.

To order original packaging materials if needed, please contact Thermo Fisher Scientific International or your local, authorised Thermo Fisher Scientific dealer.

CAUTION!

The user must insure clean and safe conditions of the instrument when returning it to an appropriate service provider.

Note!

In case the instrument or parts of the instruments is/are sent to Thermo Fisher Scientific or to one of its representatives in a condition which has potential danger of infection, the instrument and/or the part(s) will be returned to the customer in an unrepaired status. Costs for this are to be charged to the customer.

Disposal of the Instrument after Final Shutdown

After the final shutdown of the instrument, we recommend to contact a local recycling company for the disposal according to the nationally applicable regulations.

Under no circumstances is it allowed to dispose of the instrument together with ordinary domestic waste.

Please dispose of your instrument separately from other waste to not harm our environment and/or human health by uncontrolled waste disposal.

Recycle your instrument whenever possible to support the sustainable recycling of material resources.

Industrial users should contact their suppliers and observe the conditions of the contract. This product must not be disposed of together with other commercial waste.

Please contact your supplier!

Chapter 7

Warranty Statement and Certification

Warranty

We are proud of our quality and reliability, and of our after sales service. We continuously strive to improve our service to our customers.

Please ask your distributor or representative about Service Contracts which can keep your purchase in peak condition for many years to come.

Warranty provisions may vary to comply with differences in national and regional legislation, and you can find detailed information in your delivery documents or from your dealer or representative.

Please note that your warranty may be invalidated if:

- The instrument is modified in any way.
- Accessories are used that are not approved by Thermo Scientific, or;
- The instrument is not operated or maintained in accordance with the instructions in this Operator Guide.

Certification

The designated product carries the CE sign and complies with the laid down regulation:

**DIRECTIVE 98/79/EC OF THE EUROPEAN PARLIAMENT
AND OF THE COUNCIL
of 27 October 1998 on in-vitro diagnostic medical devices**

The designated product complies with the EC regulations by strictly observing the following norms:

DIN EN ISO 9001
Quality management systems – Requirements

DIN EN ISO 13485
Quality management systems – Medical devices

DIN EN ISO 14971
Medical devices – Application of risk management to medical devices

DIN EN 61010-1

Safety requirements for electrical equipment for measurement, control and laboratory use

Part 1: General requirements

DIN EN 61010-2-101

Safety requirements for electrical equipment for measurement, control and laboratory use

Part 2–101: Particular requirements for In-Vitro-Diagnostic (ivD) Medical Instruments.

DIN EN 61326-1

Electrical equipment for measurement, control and laboratory use – EMC requirements

Part 1: General requirements

DIN EN 61326-2-6

Electrical equipment for measurement, control and laboratory use – EMC requirements

Part 2–6: Particular requirements for In-Vitro-Diagnostic (ivD) Medical Instruments

Microm HM340E

Rotationsmikrotom

Benutzerhandbuch – Deutsch

gültig ab Seriennr. 44481

© 2011 Thermo Fisher Scientific. Alle Rechte vorbehalten.

Thermo Fisher Scientific Microm International GmbH ist ein ISO 9001-zertifiziertes Unternehmen.

Thermo Scientific ist der Handelsname der Thermo Fisher Scientific Microm International GmbH.

Alle anderen Marken sind Eigentum von Thermo Fisher Scientific und ihrer Tochterunternehmen.

Thermo Fisher Scientific bemüht sich nach Kräften sicherzustellen, dass die in der Begleitdokumentation enthaltenen Informationen korrekt und eindeutig sind, übernimmt jedoch keine Haftung für Fehler oder Auslassungen.

Thermo Fisher Scientific entwickelt seine Produkte und Dienstleistungen kontinuierlich weiter. Stellen Sie bitte sicher, dass alle veröffentlichten Informationen, die Sie zur Bezugnahme verwenden, auf dem neuesten Stand sind und den aktuellen Produktstatus widerspiegeln. Wenden Sie sich ggf. an Thermo Fisher Scientific oder Ihre lokale Vertretung von Thermo Fisher Scientific.

Dieses Bedienungshandbuch darf ohne die schriftliche Genehmigung von Thermo Fisher Scientific weder ganz noch in Auszügen kopiert, fotokopiert, vervielfältigt, übersetzt oder in eine elektronische oder anderweitige Form gebracht werden.

Alle in diesem Handbuch enthaltenen Informationen sind proprietär und vertraulich und ausschließliches Eigentum von Thermo Fisher Scientific. Dieses Handbuch ist urheberrechtlich geschützt, jegliche Vervielfältigung ist untersagt. Es ist ausschließlich von den Personen zu nutzen, denen es von Thermo Fisher Scientific zur Verfügung gestellt wurde.

Kontaktadressen

Microm International GmbH
part of Thermo Fisher Scientific
Otto-Hahn-Strasse 1a
69190 Walldorf
DEUTSCHLAND
Tel.: +49 (0)6227 836-0
Fax: +49 (0)6227 836-111
<http://www.ap-walldorf.com>
info.dxd.dewal@thermofisher.com

4481 Campus Drive
Kalamazoo
MI 49008
USA
Tel: + 1 (800) 522-7270
Fax: + 1 (269) 372-2674
www.thermo.com/pathology



Das Thermo Scientific Microm HM340E erfüllt die folgenden Anforderungen bezüglich des CE-Zeichens:
Richtlinie 98/79/EWG zur in-vitro Diagnostika.

Begrüßung Sehr geehrter Kunde,

vielen Dank für den Kauf eines Geräts von Thermo Fisher Scientific.

Lesen Sie vor dem Gebrauch Ihres gekauften Geräts bitte die Gebrauchsanweisung sorgfältig durch, um sich mit seiner ordnungsgemäßen Bedienung und seinen Funktionen vertraut zu machen. Um Verletzungen des Bedieners und technische Schäden am Gerät zu vermeiden, darf es ausschließlich gemäß dem dafür vorgesehenen Verwendungszweck eingesetzt werden (Seite 11). Jeder andere Einsatz dieses Geräts gilt als unsachgemäß! Alle Gewährleistungen und Garantien sind in einem solchen Fall nichtig.

Dieses Benutzerhandbuch wurde speziell für den routinierten Bediener des Rotationsmikrotoms HM340E verfasst. Seine Kapitel enthalten hilfreiche und wichtige Informationen, die während der täglichen Routinearbeit berücksichtigt werden sollten.

Nur qualifiziertes Fachpersonal oder Personal mit einer entsprechenden Unterweisung darf das Mikrotom bedienen und Aufgaben ausführen, wie z. B. die Objekte einspannen, Trimm- und Anschnitte vornehmen, Schneiden und die Abschnitte auf einen Objektträger übertragen. Die regulären Sicherheitsrichtlinien sowie die Bestimmungen und Hygienemaßnahmen Ihres jeweiligen Labors sind strengstens zu befolgen.

Bitte bewahren Sie dieses Benutzerhandbuch zur späteren Bezugnahme in der Nähe des Geräts auf.

Dieses Benutzerhandbuch ist im Lieferumfang eines jeden Geräts enthalten. Weitere Exemplare können bei der nächsten Vertriebsstelle von Thermo Fisher Scientific unter Angabe der Seriennummer des Geräts (befindet sich auf der Geräterückseite), der Artikelnummer der Gebrauchsanweisung sowie der Versionsnummer bestellt werden.

- Englisch/Deutsch (Printversion): 387863
- CD-Rom (mit der englischen, deutschen, italienischen, spanischen und französischen Fassung): 387864

Inhalt

Kapitel 1	Wichtige Informationen	
	Symbole	08
	Sicherheit	08
	Bestimmungsgemäße Verwendung	11
Kapitel 2	Einführung	12
	Beschreibung des Rotationsmikrotoms HM340E	12
	Lieferumfang Standard-Ausstattung	13
	Zusatzausrüstung (optional)	14
	Technisches Datenblatt	16
Kapitel 3	Gebrauchsanweisung	17
	Aufstellung des Mikrotoms	17
	Erste Inbetriebnahme	20
	Bedienpult	22
	Anzeige- und Tastenfunktionen	23
	Handradbremse	23
	Anzeige der Schneideabläufe	24
	Schnittzähler	24
	Schnittdickensumme	25
	Restweg bis zur vorderen Endposition	25
	Einstellung der Schnittdicke und Trimmschnittdicke	26
	Trimmen und Anschneiden	27
	Feinschnittvorschub	28
	Schneidebewegung und Rückzug	28
	Objekt-Grobvorschub	30
	Datum und Uhrzeit	31
	Anzeigemodus	31
	Deaktivierung der Funktion „Rückzug“	32
	Sprachwahl für das Display	33
	Werkseinstellungen	34
	Memory-Funktion	34
	Rocking-Funktion	35
	Adapter für Objektklammern	36
	Adapter, starr	36
	Adapter, orientierbar, Objektorientierung	36
	Objektklammern einspannen, bzw. wechseln	37
	Nachjustierung der Objektklammern	38
	Aufnahme der Objekte	39
	Universal-Kassettenklammer	39
	Universal-Kassettenklammer, justierbar	39
	Standard-Objektklammer	40
	Rundprobeneinsatz, V-Einsatz und V-Distanzstück	41
	Folienklammer	42
	Segmentbogen und Universal-Präparatehalter	43
	Messer- und Klingenträger	43

	Einwegklingenträger „ER“	44
	Einwegklingenträger „E“	46
	Messerträger „C“	48
	Nachjustierung von Messer- und Klingenträgern	50
	Schnittabfallwanne mit integrierter Armauflage	51
	Großfeldlupe	51
Kapitel 4	Arbeiten mit dem Mikrotom	53
	Anweisungen zum Schneiden	53
	So lassen sich Fehler vermeiden	56
	Mögliche Fehlerquellen – Ursachen und Behebung	57
Kapitel 5	Wartung und Pflege	58
	Reinigung und Pflege	58
	Wartung	59
	Austauscharbeiten	60
Kapitel 6	Bedingungen für den Transport	61
	Einsenden des Geräts zur Reparatur oder Routinewartung	61
	Entsorgung des Geräts nach entgeltiger Stilllegung	62
Kapitel 7	Bedingungen für den Transport	63

Kapitel 1

Wichtige Informationen

Symbole

Die folgenden Symbole und Konventionen werden im gesamten Handbuch und am Gerät verwendet.

WARNUNG ODER ACHTUNG

BESONDERE VORSICHTSMASSNAHMEN ZUR VERHINDERUNG VON GERÄTESCHÄDEN. BITTE BEFOLGEN SIE DIESE ANWEISUNGEN SORGFÄLTIG, UM EINE LANGE LEBENSDAUER DER GERÄTE ZU GEWÄHRLEISTEN.

Hinweis:

Besondere Anweisungen für die Bedienung des Geräts



GEFAHR VON HANDVERLETZUNGEN

DURCH DIE BEWEGLICHEN TEILE IN KOMBINATION MIT DEM MIKROTOMMESSER ENTSTEHT EIN GEFAHRENBEREICH, IN DEM ES BEI EINER NICHT-EINHALTUNG DER SICHERHEITSFUNKTIONEN DES MIKROTOMS UND BEI EINER NICHTBEACHTUNG DER GEBRAUCHSANWEISUNG ZU HANDVERLETZUNGEN KOMMEN KANN.



ACHTUNG – ALLGEMEINER GEFAHRENBEREICH

WENN DIESES SYMBOL AM GERÄT ANGEZEIGT WIRD, MUSS DIE GEBRAUCHSANWEISUNG STRENGSTENS BEFOLGT WERDEN. UMGEHEN SIE KEINE IN DAS GERÄT INTEGRIERTEN SICHERHEITSVORKEHRUNGEN.



BIOGEFÄHRDUNG

WARNUNG VOR BIOLOGISCHER GEFÄHRDUNG.



ABFALLENTSORGUNG

SEPARATE RÜCKNAHME VON ELEKTRISCHEN UND ELEKTRONISCHEN GERÄTEN IN DEN LÄNDERN DER EUROPÄISCHEN UNION: DIES GILT FÜR DIE LÄNDER DER EUROPÄISCHEN UNION UND ANDERE EUROPÄISCHE LÄNDER MIT EINEM SEPARATEN ABFALLSAMMELSYSTEM FÜR ELEKTROABFALL. DIESES PRODUKT MUSS GEMÄSS DEN ABFALLBESEITIGUNGSRICHTLINIEN ENTSORGT WERDEN.

Sicherheit



ACHTUNG!

DIESES GERÄT DARF NUR IN ÜBEREINSTIMMUNG MIT DIESEM BENUTZERHANDBUCH BETRIEBEN WERDEN. BITTE BEACHTEN SIE BEI DER BEDIENUNG DES GERÄTS DIE FOLGENDEN ALLGEMEINEN SICHERHEITSHINWEISE. BEI EINER NICHTBEACHTUNG DIESER SICHERHEITSHINWEISE WERDEN DIE GELTENDEN SICHERHEITSNORMEN VERLETZT UND DAS GERÄT WIRD NICHT LÄNGER BESTIMMUNGSGEMÄSS VERWENDET. THERMO FISHER SCIENTIFIC IST NICHT HAFTBAR FÜR EINEN UNSACHGEMÄSSEN EINSATZ DER GERÄTE UND DIE NICHTBEACHTUNG DER GRUNDLEGENDEN SICHERHEITSANFORDERUNGEN.



SCHUTZERDUNG DES GERÄTS

UM VERLETZUNGEN DURCH ELEKTRISCHEN STROM ZU VERMEIDEN, MUSS DAS GERÄT ORDNUNGSGEMÄSS AM ERDUNGSLEITER ANGESCHLOSSEN SEIN. DER NETZANSCHLUSS DES GERÄTS MUSS MIT EINEM ERDUNGSLEITER VERBUNDEN SEIN UND DIE VORSCHRIFTEN DER IEC (INTERNATIONAL ELECTRO-TECHNICAL COMMISSION) ERFÜLLEN. DURCHTRENNEN, VERFORMEN ODER ENTFERNEN SIE KEINEN DER NETZKABELSTIFTE. VERWENDEN SIE DAS GERÄT NICHT MIT EINEM VERLÄNGERUNGSKABEL UND SCHLIESSEN SIE ES AN EINER SEPARATEN NETZSTECKDOSE AN.



ACHTUNG: NETZSPANNUNG

NEHMEN SIE WÄHREND DES BETRIEBS NIEMALS DIE GERÄTEABDECKUNGEN AB. DER AUSTAUSCH VON BAUTEILEN SOWIE JEGLICHE JUSTIERUNGEN SIND NUR VON GESCHULTEM SERVICEPERSONAL VORZUNEHMEN. ZIEHEN SIE VOR DEM ABNEHMEN ODER ÖFFNEN DER ABDECKUNGEN DEN NETZSTECKER DES GERÄTS AB.



VERLETZUNGSGEFAHR AM MIKROTOMMESSER

VERWENDEN SIE ZUR EINSTELLUNG DER OBJEKTE UND DES MESSERS DEN MESSERSCHUTZ, UM DIE GEFAHR VON VERLETZUNGEN DURCH DAS MESSER ODER DIE KLINGE ZU VERRINGERN. DIE OBJEKTE SOLLTEN NACH MÖGLICHKEIT EINGESpanNT WERDEN, BEVOR DAS MESSER IN DEN MESSERHALTER EINGESETZT WIRD. ENTFERNEN SIE VOR DEM AUSWECHSELN DES MESSERHALTERS STETS DIE KLINGE BZW. DAS MESSER! UNGEBRAUCHTE MESSER SOLLTEN STETS IN EINEM MESSERKASTEN AUFBEWAHRT WERDEN. LEGEN SIE EIN MESSER NIE MIT DER SCHNEIDE NACH OBEN HIN. VERSUCHEN SIE NIE, EIN HERABFALLENDEN MESSER AUFZUFANGEN! ÜBERPRÜFEN SIE DIE SCHÄRFE DER SCHNEIDE NIE, INDEM SIE MIT IHREM FINGER DARÜBER FAHREN. DIE SCHNEIDE IST ÄUSSERST SCHARF!



ACHTUNG – WENDEN SIE SICH AN EINEN SERVICE TECHNIKER!

BENACHRICHTIGEN SIE EINEN AUTORISIERTEN SERVICE TECHNIKER, WENN EIN PROBLEM AUFTRITT ODER SIE EIN PROBLEM VERMUTEN. FÜR DIE EINHALTUNG DER GELTENDEN SICHERHEITSVORSCHRIFTEN IST EIN ORDNUNGSGEMÄSS DURCHGEFÜHRTER SERVICE UNABDINGBAR.



GEFAHR IN BRENNBAREN UMGEBUNGEN

DAS GERÄT DARF IN GEGENWART VON BRENNBAREN GASEN NICHT BETRIEBEN WERDEN.



GEFAHR EINER FEHLFUNKTION

UM FEHLFUNKTIONEN EINES GERÄTS ZU VERMEIDEN, DARF ES NUR IN EINER KONTROLLIERTEN ELEKTROMAGNETISCHEN UMGEBUNG BETRIEBEN WERDEN. VERWENDEN SIE KEINE SENDER, WIE MOBILTELEFONE, IN SEINER UNMITTELBAREN NÄHE. SCHALTEN SIE DAS GERÄT BEI FEHLFUNKTIONEN UND/ODER ZU WARTUNGSARBEITEN AUS UND WENDEN SIE SICH AN IHREN LOKALEN FACHHÄNDLER.



GEFAHR VON STRALUNG

BEACHTEN SIE BEI DER ARBEIT MIT RADIOAKTIVEN OBJEKTEN ALLE GÜLTIGEN STRAHLENSCHUTZVERFAHREN. BEI ARBEITEN MIT RADIOAKTIV KONTAMINIERTEM MATERIAL MÜSSEN GEEIGNETE SCHUTZ- UND DESINFEKTIONSMASSNAHMEN DURCHGEFÜHRT WERDEN. GEMÄSS DEN RICHTLINIEN UND VORSCHRIFTEN DES JEWEILIGEN LABORS IN BEZUG AUF DIE HANDHABUNG VON RADIOAKTIV KONTAMINIERTEM MATERIAL MUSS SCHUTZKLEIDUNG (Z. B. ATEMSCHUTZMASKE, HANDSCHUHE, SCHÜTZENDE SCHUHÜBERZÜGE) GETRAGEN WERDEN. RADIOAKTIV KONTAMINIERTE ABFÄLLE MÜSSEN IN ÜBEREINSTIMMUNG MIT DEN JEWEILS GELTENDEN VORSCHRIFTEN ENTSORGT WERDEN.



BIOGEFÄHRDUNG

OBJEKTE, DIE WÄHREND DES BESTIMMUNGSGEMÄSSEN BETRIEBES DES GERÄTS VERWENDET WURDEN, KÖNNEN POTENZIELL INFEKTIÖS SEIN. DAHER WIRD EMPFOHLEN, DIE ALLGEMEINEN LABORVORSCHRIFTEN BEZÜGLICH DER SCHUTZMASSNAHMEN VOR INFEKTIONEN ZU BEACHTEN. INFORMATIONEN ZU DEKONTAMINATIONSMEDIEN, IHRER ANWENDUNG, VERDÜNNUNG UND IHRES WIRKSAMEN ANWENDUNGSBEREICHES FINDEN SIE IM LABORATORY BIOSAFETY MANUAL (HANDBUCH ZUR BIOLOGISCHEN SICHERHEIT IM LABOR): 1984 VON DER WELTGESUNDHEITSORGANISATION (WHO) VERFASST. BEACHTEN SIE BEI DER ARBEIT MIT INFEKTIÖSEN OBJEKTEN ALLE GÜLTIGEN SICHERHEITSVORKEHRUNGEN. BEI ARBEITEN MIT INFEKTIÖSEM MATERIAL MÜSSEN GEEIGNETE SCHUTZ- UND DESINFEKTIONSMASSNAHMEN DURCHGEFÜHRT WERDEN. GEMÄSS DEN SCHUTZMASSNAHMEN VOR INFEKTIONEN IHRES LABORS MUSS SCHUTZKLEIDUNG (Z. B. ATEMSCHUTZMASKE, HANDSCHUHE, SCHÜTZENDE SCHUHÜBERZÜGE) GETRAGEN WERDEN. INFEKTIÖSE ABFÄLLE MÜSSEN IN ÜBEREINSTIMMUNG MIT DEN JEWEILS GELTENDEN VORSCHRIFTEN ENTSORGT WERDEN.



ABFALLENTSORGUNG

ALLE RÜCKSTÄNDE UND JEDLICHER ABFALL SOWIE INFEKTIÖSES UND RADIOAKTIVES MATERIAL DES JEWEILIGEN VERFAHRENS MÜSSEN IN ÜBEREINSTIMMUNG MIT DEN ENTSPRECHENDEN LABORVORSCHRIFTEN ENTSORGT WERDEN. DESINFEKTIONS- UND REINIGUNGSMITTEL SOWIE SCHNEIDEABFÄLLE MÜSSEN GEMÄSS DEN ENTSPRECHENDEN SONDERMÜLL-VORSCHRIFTEN ENTSORGT WERDEN! REAGENZIEN MÜSSEN GEMÄSS DEN JEWEILIGEN SICHERHEITSDATENBLÄTTERN DES HERSTELLERS ENTSORGT WERDEN!

Bestimmungsgemäße Verwendung

Bei dem Rotationsmikrotom Microm HM340E von Thermo Scientific handelt es sich um ein leistungsstarkes, elektronisches Universalmikrotom für die anspruchsvolle Paraffinschnitt-Technik und die Hartschnitt-Technik, besonders in der medizinischen und biologischen Routine und Forschung, als auch in der Industrie.

Nur qualifiziertes Fachpersonal oder Personal mit einer entsprechenden Unterweisung darf das Mikrotom bedienen, d. h. die Objekte einspannen, Trimm- und Anschnitte vornehmen, Schneiden und die Abschnitte auf einen Objektträger übertragen. Die einzelnen Sicherheitsvorkehrungen sowie die Bestimmungen und Hygienemaßnahmen Ihres jeweiligen Labors sind strengstens zu befolgen.

Hinweis:

Die Gebrauchsanweisung ist Bestandteil des Produkts. Bewahren Sie dieses Handbuch stets in der Nähe des Geräts auf!

Kapitel 2

Einführung

Beschreibung des Rotationsmikrotoms HM340E

Bei dem Rotationsmikrotom Microm HM340E von Thermo Scientific handelt es sich um ein leistungsstarkes, elektronisches Universalmikrotom für die anspruchsvolle Paraffinschnitt-Technik und die Hartschnitt-Technik, besonders in der medizinischen und biologischen Routine und Forschung, als auch in der Industrie.

Das HM340E setzt neue Ergonomie-Standards in punkto Betrieb und Komfort. Das Gerät verfügt über eine Schnittabfallwanne mit einer integrierten Armauflage. Die Abfallwanne befindet sich um den Messer-/Klingenträger herum und darunter, für ein direktes Auffangen des Schnittabfalls.

Dieses Modell kann mit allen kompatiblen Objektklammern, Messer- und Klingenhaltern (siehe Zusatzausstattung) der Thermo Scientific Rotationsmikrotomserie ausgestattet werden. Zusätzlich lassen sich das Stereomikroskop bzw. die Großfeldlupe verwenden.

Das HM340E ermöglicht Schnitte von 0,5 µm bis zu 100 µm. Zum Schutz von Messer und Objekt zieht das Gerät das Objekt nach Abschluss der Schneidbewegung wieder zurück. Nach Bedarf kann die Rückzugsfunktion deaktiviert werden. Eine Trimmschnitt-Funktion mit definierten Schritten zwischen 5 µm und 500 µm ermöglicht die schnelle Annäherung zum Anschneiden.

Die manuelle Rotationsbewegung des Handrades des HM340E wird in eine vertikale Bewegung der Objektaufnahme umgewandelt. Die Zustellung erfolgt elektronisch über einen Präzisionsschrittmotor. Die Schnitte werden mit Messern oder Klängen ausgeführt. Diese müssen justiert und am Messer-/Klingenträger fixiert werden.

Das Bedienpult befindet sich auf der linken Seite des Mikrotoms. Es lässt sich abnehmen und separat verwenden, auch auf der rechten Geräteseite. Aus diesem Grund lassen sich die Bedienknöpfe entfernen und auf der anderen Seite des Bedienpults wieder anbringen. Die Folien-Tastatur ist übersichtlich angeordnet, für eine einfache und sichere Bedienung.

Die ausgewählte Schnittdicke, die Trimmschnittdicke, die Schnittanzahl, die Summe der Schnittdicken und der restliche Weg bis zur vorderen Endlage sowie das aktuelle Datum und die aktuelle Uhrzeit werden im Display am Bedienpult angezeigt.

Die Anzahl der vorgenommenen Schnitte kann mit dem Schnittzähler im Display angezeigt werden. Nach jeder Abwärtsbewegung der Objektaufnahme wird die Zahl des Schnittzählers um 1 hochgezählt. Die Summe der vorgenommenen Schnitte ist ebenfalls im Display zu sehen. Dazu

werden die Trimmschnittwerte und die Schnittwerte addiert. Der Schnittzähler und die Summe der Schnittdicken lassen sich jederzeit mithilfe der Taste RESET auf Null zurücksetzen. Der restliche Weg bis zur vorderen Endlage kann ebenfalls im Display angezeigt werden. Wenn sich die Objektaufnahme in der hinteren Endlage befindet, zeigt das Display 28.000 µm an. Dieser Wert sinkt, je weiter die Objektaufnahme nach vorn bewegt wird.

Zur Sicherheit verfügt das Mikrotom über eine mechanische Handradbremse.

Die Messer-/Klingenträger sind so konzipiert, dass sich die Messer/Klingen leicht einspannen und justieren lassen. Das Mikrotom ist optimal auf die Verwendung der Universal-Kassettenklammer (715020) abgestimmt. Bei Einsatz anderer Objektklammern kann es zu leichtem Nachlaufen des Handrads und der Objektaufnahme kommen, wenn die Handradbremse nicht aktiviert ist.

In Verbindung mit der Schnellgefriereinheit KS-34 sind Gefrierschnitte bis zu einer Objekttemperatur von -45 °C möglich.

Lieferumfang Standard-Ausstattung

Im Lieferumfang des Rotationsmikrotoms Microm HM340E befindet sich folgendes Zubehör:

Menge	Beschreibung
1	Bedienpult
1	Schnittabfallwanne, groß
1	Abdeckplatte, gebürstetes Aluminium
1	Staubschutzhäube
1	Pinself
1	Antihafspray PARA GARD, 100 ml
1	Benutzerhandbuch, Printausgabe
1	CD-ROM mit Benutzerhandbuch
1	Netzkabel (230 V)
1	Netzkabel (115 V)
1	Netzkabel GB (optional, für Lieferungen nach Großbritannien)

Zusatzausrüstung

Erhältliche Zusatzausstattung (optional)

Beschreibung	Kat.-Nr.
Schnitt-Transfer-System STS	
Schnitt-Transfer-System STS mit Klingenthaler TE	771200
Standard-Objektklammer für das STS	715550
Transferoberfläche für das STS	575170
Cool-Cut	
mit Universal-Kassettenklammer	771110
mit Standard-Objektklammer	771120
Schnellgefriereinheit KS34	
100...115 V/50...60 Hz	770210
220...240 V/50...60 Hz	770220
Messer- und Klingenträger	
Einwegklingenträger ER	705830
Einwegklingenträger E	705800
Messerträger C	705810
Standard-Messerträger N	705820
Objektklammern	
Standard-Objektklammer	715010
Universal-Kassettenklammer	715020
Justierbare Universal-Kassettenklammer	716130
Justierbare Universal-Kassettenklammer, für Makro-Kassetten	716120
Justierbare Universal-Kassettenklammer, für Makroflow-Kassetten	716150
Folienklammer	715030
Sandwich-Stützmaterial	176010
Einsatz für Rundobjekte, Ø 6 mm	715070
Einsatz für Rundobjekte, Ø 15 mm	715080
Einsatz für Rundobjekte, Ø 19 mm	715280
Einsatz für Rundobjekte, Ø 25 mm	715090
V-Einsatz	715100
V-Distanzstück	715320
Segmentbogen	715590
Universal-Präparatehalter	715060

Beschreibung	Kat.-Nr.
Betrachtungshilfen	
Großfeldlupe, 220 V	760160
Großfeldlupe, 120 V	760170
Zoom-Stereomikroskop Zeiss Stemi 2000	755210
Adapter für Stemi 2000	532090
LED-Ringleuchte, 100...240 V/50...60 Hz	760340
Einwegklingen	
SEC 35	152200
SEC 35e	152215
SEC 35p	152570
Mikrotommesser	
Stahlmesser, Typ C	
12 cm	152010
16 cm	152020
18,5 cm	152270
22 cm	152030
Stahlmesser, Typ D	
12 cm	152060
16 cm	152070
22 cm	152080
Hartmetallmesser, Typ D	
16 cm	152120
Messerkasten, stets für 2 Messer	
12 cm	152220
16 cm	152230
18,5 cm	152280
22 cm	152240
Antihafspray PARAGARD, 100 ml	350170
Triebteilöl, 100 ml	350110
Triebteilöl, 250 ml	350120

Technisches Datenblatt

Rotationsmikrotom Thermo Scientific Microm HM340E

Schnittdickenbereich	0,5 – 100 µm	
Auflösung	0,5 µm von 0,5 – 5 µm	
	1 µm von 5 – 20 µm	
	2 µm von 20 – 30 µm	
	5 µm von 30 – 60 µm	
	10 µm von 60 – 100 µm	
Trimmschnittdickenbereich	5 – 500 µm	
Auflösung	5 µm von 5 – 30 µm	
	10 µm von 30 – 100 µm	
	20 µm von 100 – 200 µm	
	50 µm von 200 – 500 µm	
Objektrückzug während der Aufwärtsbewegung	40 µm, deaktivierbar	
Horizontaler Vorschubbereich	28.000 µm	
Vertikaler Objekthub	72 mm	
Schnittzähler	5-stellig, mit Reset	
Schnittdickensumme	5-stellig, mit Reset	
Restlicher Weg bis zur vorderen Endlage	5-stellig	
Objektgröße	bei Verwendung einer Standard-Objektklammer	max. 55 x 50 mm
Objektgröße	bei Verwendung einer Makro-Objektklammer	max. 68 x 50 mm
Objektorientierung	X- und Y- Achsen	allseitig 8°
	Objektrotation	360°
Lagerungstemperaturbereich	-20° C bis +50° C	
Betriebsbedingungen	Nur für den Gebrauch in Innenräumen	+10° C bis +40° C (bei einer max. rel. Luftfeuchtigkeit von 60 %) Höhe bis zu 2000 m über dem Meeresspiegel
Bodenbelastungsanforderungen	110 kg/m ²	

Rotationsmikrotom Thermo Scientific Microm HM340E

Netzanschluss	100...240 V 1,6 A +/-10% 50...60 Hz
Verschmutzungsgrad	2
Überspannungskategorie	II
Geräuschemission	42 dB(A)
Abmessungen	410 mm x 520 mm x 280 mm (Breite/Tiefe/Höhe)
Gewicht	27 kg

Kapitel 3 Gebrauchsanweisung

Aufstellung des Mikrotoms

Durchtrennen Sie die Bänder um den Karton.

- Öffnen Sie den Karton.
- Entnehmen Sie das Zubehör.
- An der Unterseite des Geräts befinden sich, vorn und hinten jeweils mittig, zwei Griffmulden zum Anheben und Tragen des Mikrotoms.

Hinweis:

Das Mikrotom darf nicht am Handradgriff angehoben oder getragen werden!

- Mikrotom auspacken.
- Wählen Sie den Aufstellungsort für das Mikrotom so, dass sich der Netzschalter jederzeit erreichen lässt.
- Stellen Sie das Mikrotom auf einen stabilen und vibrationsfreien Tisch, da das Schneidverhalten ansonsten gestört werden kann.
- Das Handrad muss sich frei zugänglich sein.
- Die separat verpackte Schnittabfallwanne aus dem Karton nehmen und von vorn an der Grundplatte einrasten lassen.
- Die separat verpackte Abdeckplatte herausnehmen und oben auf das Mikrotom legen.
- Im hinteren Bereich an der Unterseite des Geräts befinden sich zwei Gleitfüße, die ein leichtes Verschieben des Mikrotoms ermöglichen.
- Heben Sie die Grundplatte vorn leicht an und schieben Sie das Mikrotom an den richtigen Aufstellungsort.

Hinweis:

Entfernen Sie zum Bewegen oder Transportieren des Geräts die Schnittabfallwanne. Die Schnittabfallwanne lässt sich aus ihrer Einrastposition ziehen.

Vorderansicht



Bedienpult
(Seite 22)

Objektorientierung
(Seite 36 ff)

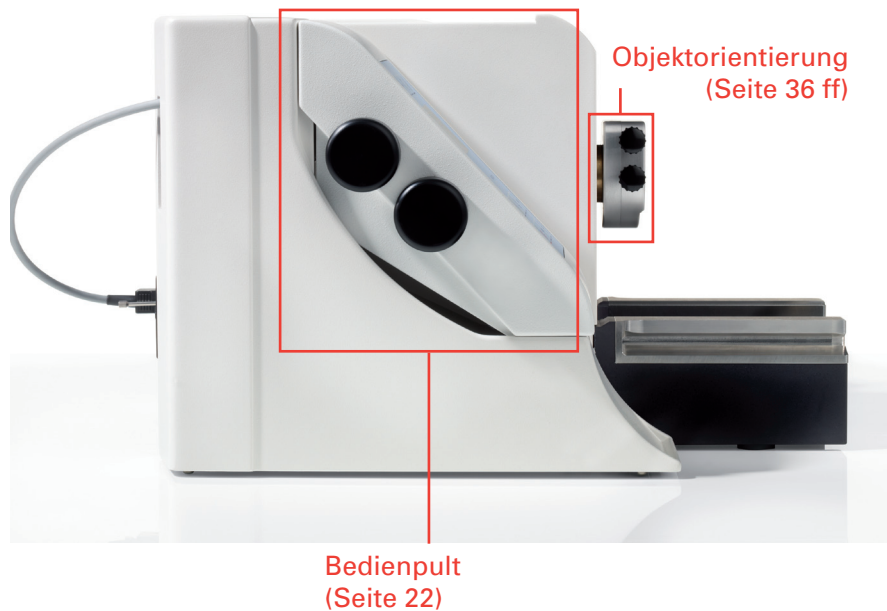
Rückansicht



Buchse
(Seite 20)

Sicherungen – Netz-
schalter – Netz-
kabel
(Seite 20)

Seitenansicht links



Seitenansicht rechts



Hinweis:

Die sichere Funktionsweise des Mikrotoms kann nur gewährleistet werden, wenn die Temperatur der Ausrüstung innerhalb der angegebenen Betriebsbedingungen liegt (siehe Technisches Datenblatt, Seite 16). Wir empfehlen dringend, dass das Mikrotom, nachdem es ausgepackt wurde, für mindestens 2 Stunden bei Umgebungstemperatur aufgestellt wird, bevor es das erste Mal in Betrieb genommen wird.

Hinweis:

Vor Beginn des Schneidvorgangs sollten das Gerät, der Messerträger und die Schnittabfallwanne mit dem mitgelieferten oder einem anderen im Handel erhältlichen Antihafspray behandelt werden. Dieses Mittel verringert maßgeblich die Adhäsionseigenschaft der Paraffinabschnitte an den Einzelteilen (siehe Seite 13 und 15, Standard- und optionales Zubehör)

Erste Inbetriebnahme

Hinweis:

Die Art des verwendeten Untersuchungsmaterials sowie alle Sonderkonditionen für die Verarbeitung, Vorbehandlung und ggf. auch die Lagerung sowie die Gerätebedienung für einen korrekten und sicheren Betrieb obliegen der Verantwortung des Bedieners. Der Bediener ist ferner für die Sonderausrüstung und die Materialien und/oder Reagenzien, die für den Betrieb des Geräts verwendet werden, zuständig.

Das separat verpackte Bedienpult lässt sich am Gerät montieren oder einzeln verwenden. Schließen Sie zuerst das Bedienpult am Gerät an.



- a Nur für Wartungszwecke
- b Bedienpult
- c nicht belegt
- d Abdeckung für Sicherungen
- e Netzschalter
- f Netzsteckdose

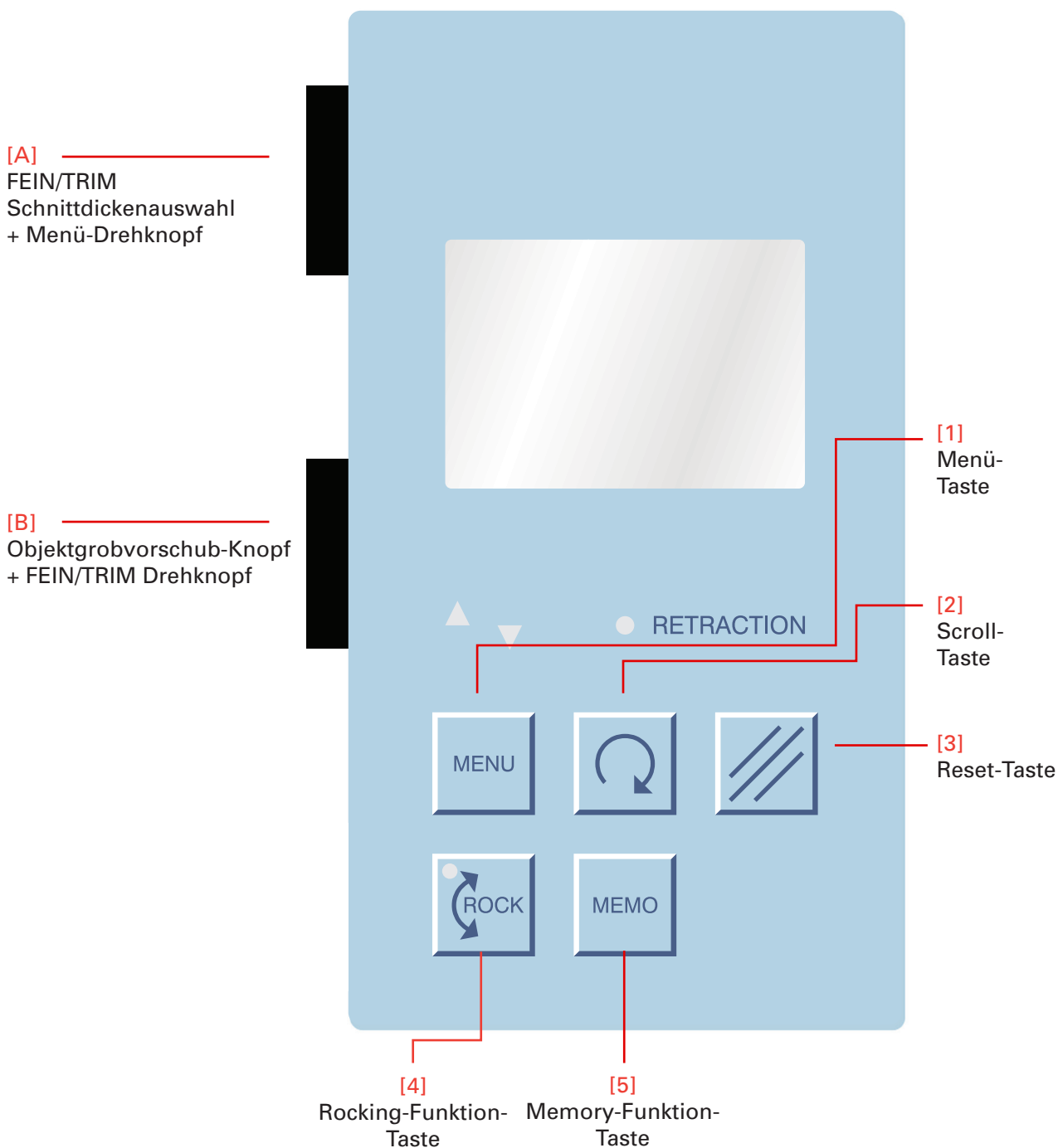
- Schließen Sie das Kabel des Bedienpults am Anschluss [b] auf der Rückseite des Mikrotoms an und fixieren Sie es mit den beiden Schrauben.
- Wenn das Bedienpult am Gerät montiert werden soll, drücken Sie den Steckverbinder durch die entsprechende Öffnung auf der Rückseite des Mikrotoms.
- Das Bedienpult kann auch einzeln verwendet werden. Es lässt sich sowohl links als auch rechts vom Mikrotom positionieren.
- Die Bedienknöpfe sind separat verpackt und müssen am Bedienpult angebracht werden.
- Die Bedienknöpfe lassen sich auf einfache Weise entfernen und auf der anderen Seite des Bedienpults wieder anbringen.

Bedienpult

Die Bedienelemente des Bedienpults sind übersichtlich angeordnet und ermöglichen die sichere Bedienung des Geräts.

Hinweis:

Das Bedienpult lässt sich vom Gerät abnehmen und frei verwenden.



Anzeige- und Tastenfunktionen

Mikrotome von Thermo Fisher Scientific sind so konzipiert, dass sie Sie bei Ihrem Arbeitsablauf unterstützen. Nehmen Sie sich die Zeit, sich vor Arbeitsbeginn gründlich mit dem HM340E vertraut zu machen, um so bessere Ergebnisse zu erzielen.

Handradbremse

Hinweis:

Das Mikrotom ist mit einer mechanischen Handradbremse ausgestattet, um unbeabsichtigte Bewegungen der Objektaufnahme zu vermeiden. Durch die Aktivierung der Bremse verringert sich die Verletzungsgefahr beim Justieren der Objektklammer und/oder des Messer-/Klingenträgers.



Mechanische Handradbremse



ACHTUNG!

Zu Ihrem persönlichen Schutz sollte die Handradbremse bei der Arbeit an der Objekthalterung oder am Messer-/Klingenträger stets aktiviert sein.



ACHTUNG!

Drehen Sie den Hebel nach unten, um die Handradbremse zu lösen. Ziehen Sie den Hebel in Pfeilrichtung nach oben, um das Handrad zu verriegeln. Bei verriegelter Handradbremse lässt sich das Handrad nicht drehen.

Anzeige der Schneideabläufe

In der mittleren Zeile des Displays erhalten Sie Informationen zum Schneidestatus.

- Drücken Sie die „Scrolltaste“ [2], um eine Liste der Funktionen im Display anzuzeigen.

Die folgenden Informationen zur aktuellen Schneideposition des Geräts sind auch aus der mittleren Zeile des Displays ersichtlich:

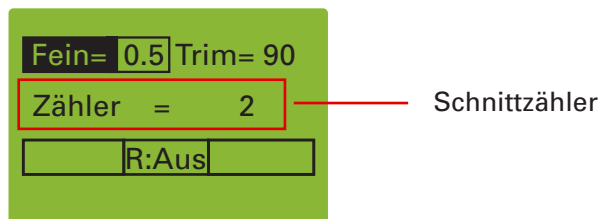
-
- Anzahl der Schnitte
-
- Summe der Schnittsticken
-
- Restlicher Weg bis zur vorderen Anschlagposition
-

- Drücken Sie dazu die Taste [2], bis die erforderlichen Informationen im Display angezeigt werden.

Sollen in dieser Zeile keine Informationen angezeigt werden, drücken Sie die Taste [2], bis diese Zeile des Displays leer ist.

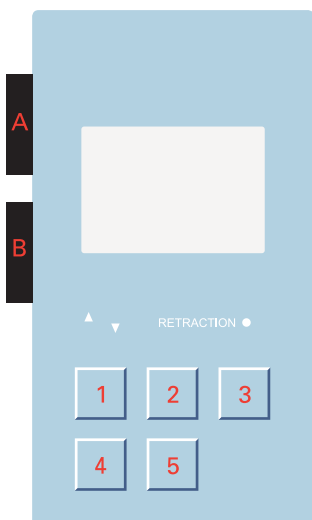
Schnittzähler

In der mittleren Zeile des Displays werden die Informationen zum Schneidestatus angezeigt.



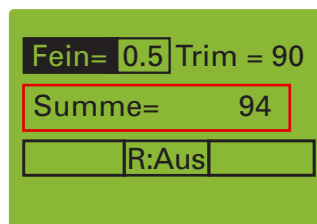
Der Schnittzähler addiert die Anzahl der durchgeführten Schnitte. Nach jeder Abwärtsbewegung der Objektaufnahme wird die Zahl am Schnittzähler um 1 hochgezählt.

Der Zähler lässt sich durch Drücken der Reset-Taste [3] auf Null zurücksetzen.



Schnittdickensumme

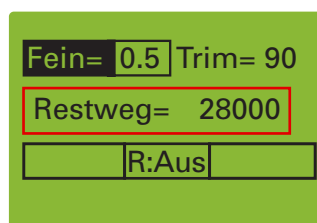
In der mittleren Zeile des Displays werden die Informationen zum Schneidestatus angezeigt.



Dieser Wert zeigt die Summe der bereits vorgenommenen Schnitte in μm an. Die Trimmchnittwerte und die Schnittwerte werden addiert.

Dieser Wert lässt sich ebenfalls durch Drücken der Reset-Taste [3] auf Null zurücksetzen.

Restweg bis zur vorderen Endlage

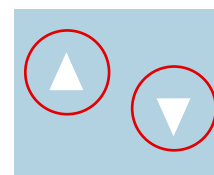


Dieser Wert zeigt den verbleibenden Abstand, bis zur vorderen Endlage der Objektaufnahme, in μm an.

Hinweis:

Wenn sich die Objektaufnahme in der hinteren Endlage befindet, zeigt das Display 28.000 μm an. Dieser Wert sinkt, je weiter die Objektaufnahme nach vorn bewegt wird.

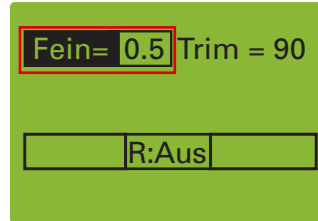
Die vordere und hintere Endlagenposition werden durch blinkende LEDs angezeigt.



Einstellung der Schnittdicke und der Trimmschnittdicke

Die erforderlichen Schnitt- und Trimmschnittdicken werden mit dem Knopf [A] eingestellt.

- Um zwischen der Schnittdicke und der Trimmschnittdicke umzuschalten, drücken Sie den Knopf [A].



Der gewählte Schnittdickenbereich wird im Anzeigemodus NORMAL dunkel hinterlegt im Display angezeigt.

FEIN = voreingestellte Schnittdicke

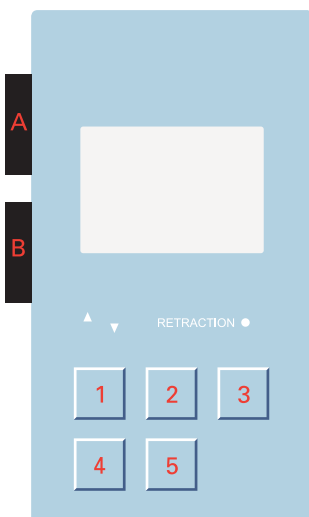
TRIM = voreingestellte Trimmschnittdicke

Die Abstufung der Schnittdicken ist in fünf Bereiche unterteilt:

Bereich	Skala
bis 5 μm	0,5 μm
von 5 μm bis 20 μm	1 μm
von 20 μm bis 30 μm	2 μm
von 30 μm bis 60 μm	5 μm
von 60 μm bis 100 μm	10 μm

Die Abstufung der Trimmschnittdicken ist in vier Bereiche unterteilt:

Bereich	Skala
bis 30 μm	5 μm
von 30 μm bis 100 μm	10 μm
von 100 μm bis 200 μm	20 μm
von 200 μm bis 500 μm	50 μm

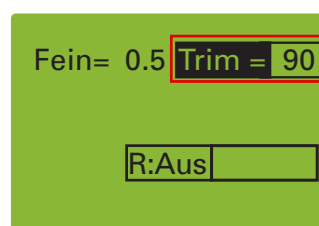


Trimmen und Anschneiden

Nach erfolgter Annäherung zwischen Präparat und Messerschneide kann durch die Funktion „Trimmen“ eine schrittweise weitere Zustellung zum Anschneiden erfolgen. Auch können zwischen einzelnen Schnittserien größere Tiefenbereiche durch Wahl der Funktion „Trimmen“ schnell überbrückt werden.

- Drücken Sie den Knopf [A], um für die Schnittdicken-Einstellung die Option TRIM (Trimmen) auszuwählen.

Wenn sich das Gerät im Anzeigemodus NORMAL befindet, wird der TRIM (Trimmschnitt)-Wert im Display mit einem Rahmen angezeigt.



In diesem Modus müssen Sie den Knopf [A] drehen, um den Wert zu ändern.

Bei jeder Handrad-Drehung bewegt sich die Objektaufnahme um den vorgewählten Trimmschnittwert im oberen Umkehrpunkt vorwärts.

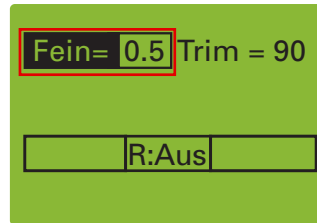
- Drücken Sie den Grobvorschubknopf [B] für einen weiteren TRIM (Trimmschnitt)-Vorschub.

Wenn dieser Knopf [B] gedrückt wird, bewegt sich die Objektaufnahme um den mit dem Knopf [A] vorgewählten Trimmschnittwert nach vorn.

Feinschnittvorschub

Nach erfolgter Grobannäherung zwischen Messer und Objekt und nachfolgender Trimmung, kann mit dem Schneiden von Schnittserien begonnen werden.

- Drücken Sie den Knopf [A], um die Schnittdicken-Einstellung FEIN auszuwählen.



Im Anzeigemodus NORMAL wird um den Wert herum ein Rahmen im Display angezeigt.

Wenn dieser Modus aktiviert ist, drehen Sie zum Ändern des Werts den Knopf [A].

- Drehen Sie das Handrad fortlaufend im Uhrzeigersinn, um das Objekt mit der ausgewählten Schnittdicke zu schneiden.

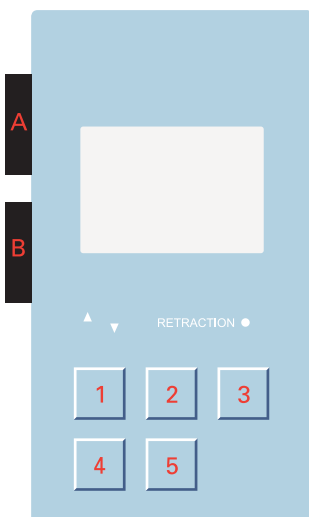
Schneidebewegung und Rückzug

Die Schneidebewegungen des Mikrotoms werden durch das Drehen des Handrades erzeugt.

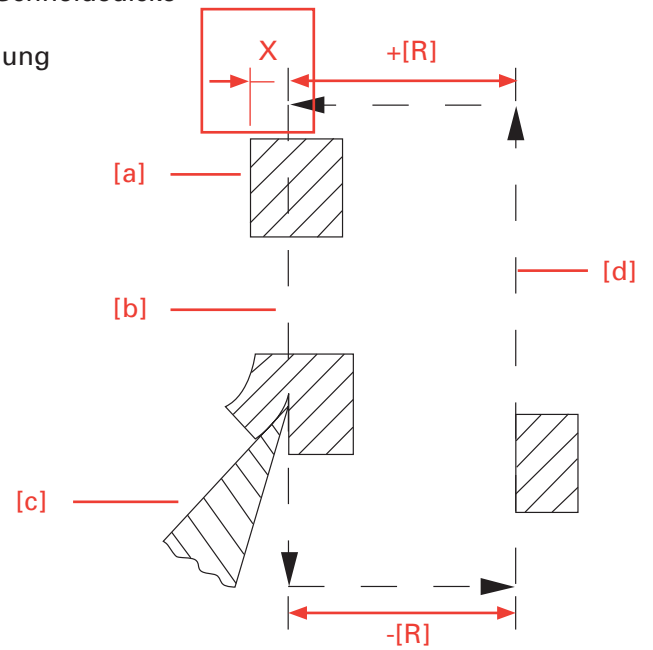
- Zum Starten der Schneidebewegung des Mikrotoms drehen Sie das Handrad im Uhrzeigersinn.
- Während sich das Objekt abwärts bewegt, erfolgt das Schneiden [Schneidebewegung b].

Drehen Sie das Handrad weiter, um das Objekt wieder nach oben zu bewegen [d].

Zum Schutz des Messers und des Objekts während der Rücklaufbewegung wird das Objekt zurückgezogen [R].



- X voreingestellte Schneidedicke
- a Objekt
- b Schneidebewegung
- c Messer
- d Rücklauf
- R Rückzug



Die gelbe Rückzug-LED leuchtet auf. Nach Bedarf kann die Funktion <retraction> (Rückzug) deaktiviert werden.

RETRACTION ●

Objekt-Grobvorschub

Nach einem Objektwechsel oder nach Verschieben des Messers oder Messerträgers ist es notwendig, erneut eine Annäherung zwischen Objekt und Messerschneide vorzunehmen. Dies lässt sich durch den Objekt-Grobvorschub und die festgelegten Trimmschnittwerte leicht erreichen.

Für schnelle Vorwärts- und Rückwärtsbewegungen des Objekts verfügt das Mikrotom über ein motorisches Grobvorschubsystem.

- Die Objektaufnahme wird so lange nach vorn bewegt, wie der Knopf [B] zur Aktivierung des Grobvorschubs nach vorn gedreht wird.

Die Vorschubgeschwindigkeit wird über den Drehwinkel geregelt. Wenn der Knopf [B] nur leicht nach vorn gedreht ist, ist die Geschwindigkeit langsam. Durch Drehen des Knopfs [B] weiter nach vorn, nimmt die Geschwindigkeit zu.

- Um die Objekthalterung nach hinten zu bewegen, drehen Sie den Knopf [B] nach hinten, d. h. vom Bediener fort.

Die Vergrößerung des Drehwinkels bewirkt eine größere Rückzugsgeschwindigkeit.

Wenn der Knopf [B] mehr als zwei Sekunden lang gehalten wird, verfährt das Objekt automatisch in die hintere Endlage.

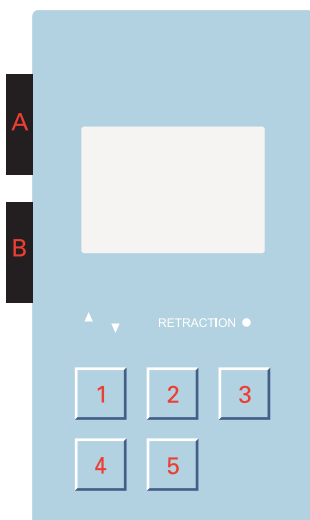
Die automatische Rücklaufbewegung lässt sich durch ein kurzes Drehen des Knopfs [B] in die entgegengesetzte Richtung stoppen.

Der Grobvorschubmotor schaltet sich nach dem Erreichen der hinteren Endlage aus.

Wenn sich die Objektaufnahme in der vorderen Endlage befindet, blinkt der (nach unten weisende) rote LED-Pfeil am Bedienpult auf.

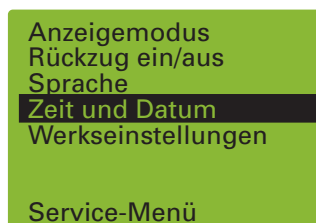
Wenn sich die Objektaufnahme in der hinteren Endlage befindet, blinkt der (nach oben weisende) rote LED-Pfeil am Bedienpult auf.

Drücken Sie den Knopf [B], um den Vorschub für Trimmschnitte mit dem ausgewählten Wert freizugeben. Dazu muss „TRIM“ im Display ausgewählt sein.



Datum und Uhrzeit Über diesen Menübereich lassen sich die Uhrzeit und das Datum im Gerät einstellen.

Drücken Sie die Menütaste [1].



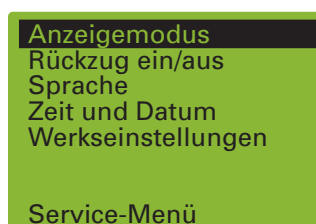
Wählen Sie durch Drehen des Knopfs [A] „Zeit und Datum“ und bestätigen Sie die Auswahl durch Drücken des Knopfs [A].

Hinweis:

Die Uhrzeit und das Datum lassen sich im normalen Anzeigemodus durch Drücken der Scrolltaste [2] im Display anzeigen.

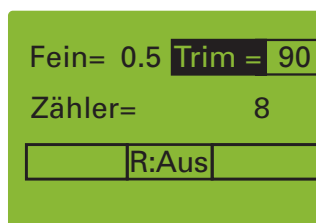
Anzeigemodus In dieser Position kann der Anzeigemodus ausgewählt werden. Sie können zwischen dem Anzeigemodus NORMAL und GROSS wählen.

Drücken Sie die Menütaste [1].



- Wählen Sie durch Drehen des Knopfs [A] den Anzeigemodus und bestätigen Sie die Auswahl durch Drücken des Knopfs [A].

Im Anzeigemodus NORMAL werden die ausgewählten Feinschnitt- und Trimmschnittticken zusammen mit weiteren Statusangaben angezeigt.



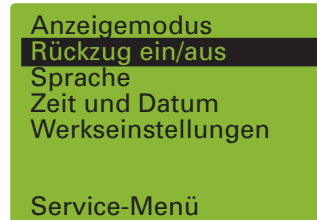
Anzeigemodus GROSS



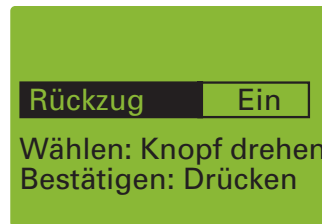
Deaktivierung der Funktion „Rückzug“

Nach Bedarf kann die Funktion „Rückzug“ deaktiviert werden.

- Drücken Sie die Menütaste [1].



- Wählen Sie das Untermenü „Rückzug“ durch Drehen des Knopfs [A].
- Drücken Sie zur Bestätigung Ihrer Auswahl den Knopf [A].



- Drehen Sie den Knopf [A], um die gewünschte Funktion auszuwählen: EIN oder AUS.
- Drücken Sie zur Bestätigung der Einstellung den Knopf [A].

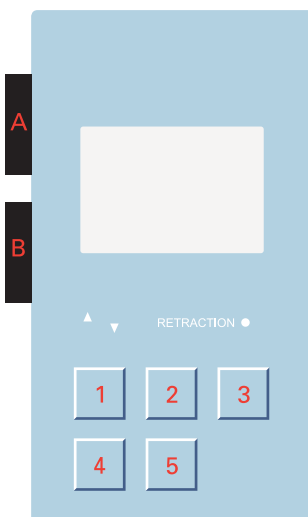
Es ist jedoch möglich, dass die gelbe LED „RETRACTION“ auch nach Abschalten der Funktion „Rückzug“ noch aufleuchtet. Sie erlischt erst beim nächsten Übergang von der Rücklaufbewegung zur Schneidbewegung durch das Handrad.



- Um die Funktion „Rückzug“ erneut zu aktivieren, verfahren Sie wie oben beschrieben.

Hinweis:

Die gewählte Funktion wird in der Anzeige als EIN oder AUS angezeigt.



Sprachwahl für das Display

Die Informationen im Display können in verschiedenen Sprachen angezeigt werden:

-
- Deutsch

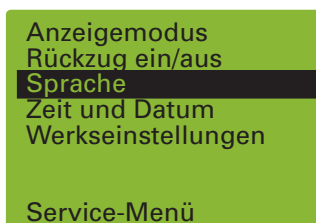
 - Englisch

 - Französisch

 - Spanisch

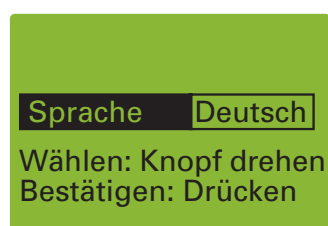
 - Italienisch

- Drücken Sie die Menütaste [1].



- Wählen Sie im Untermenü durch Drehen des Knopfs [A] die Option „Sprache“.
- Drehen Sie den Knopf [A], um die gewünschte Sprache auszuwählen.
- Drücken Sie zur Bestätigung der gewählten Sprache den Knopf [A].
- Drücken Sie die Taste Menu (Menü) [1], um in den Anzeigemodus NORMAL zurückzukehren.

Das Display zeigt die Daten nun in der gewünschten Sprache an.



Werkseinstellungen

Mit dieser Option können Sie alle Einstellungen auf die Werkseinstellungen zurücksetzen.

Microm HM340E Werkseinstellungen

Rückzug	Aus
Sprache	Deutsch
Feinschnitt	0,5 µm
Trimmschnitt	5 µm

Hinweis!

Durch die Auswahl dieser Funktion, wird die Sprache auf Deutsch zurückgesetzt!

Memory Funktion

Hinweis:

Die Memory-Funktion dient zum schnellen Wiederauffinden der Anschneideposition. Voraussetzung hierfür ist, dass Blöcke geschnitten werden, die aus dem gleichen Mold gegossen sind und immer annähernd die gleiche Höhe haben.

- Zur Einstellung der Anschneideposition bewegen Sie das Objekt mit dem Grobvorschubknopf [B] vorwärts, bis sich das Objekt nahe der Messerschneide befindet.
- Zum Speichern dieser Position drücken Sie die Taste MEMO [5] etwa 1 s.

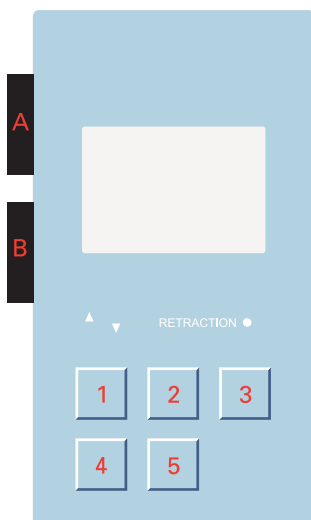
„Pos. gespeichert“ wird kurzzeitig im Display angezeigt.

- Fahren Sie dann mit der Routinearbeit (Trimmschnitt, Anschneiden, Feinschnitt) fort. Drücken Sie, nachdem Sie Ihre Arbeit am Block beendet haben, kurz auf die Taste MEMO. Die Objektaufnahme bewegt sich zurück. Spannen Sie die Probe aus und setzen Sie eine neue Probe ein.

Die Objektoberfläche befindet sich nun in der „Anschneideposition“.

WARNUNG!

Die gespeicherte Anschneideposition kann nur dann effektiv genutzt werden, wenn Blöcke derselben Höhe geschnitten werden. Es dürfen weder Justierungen am Messerträger vorgenommen werden, noch darf der Messerträger auf den Führungsleisten verschoben werden.



WARNUNG!

Beim Verschieben des Messerträgers muss zunächst eine neue Anschneideposition abgespeichert werden, da andernfalls die Gefahr einer Kollision und von Verletzungen besteht.

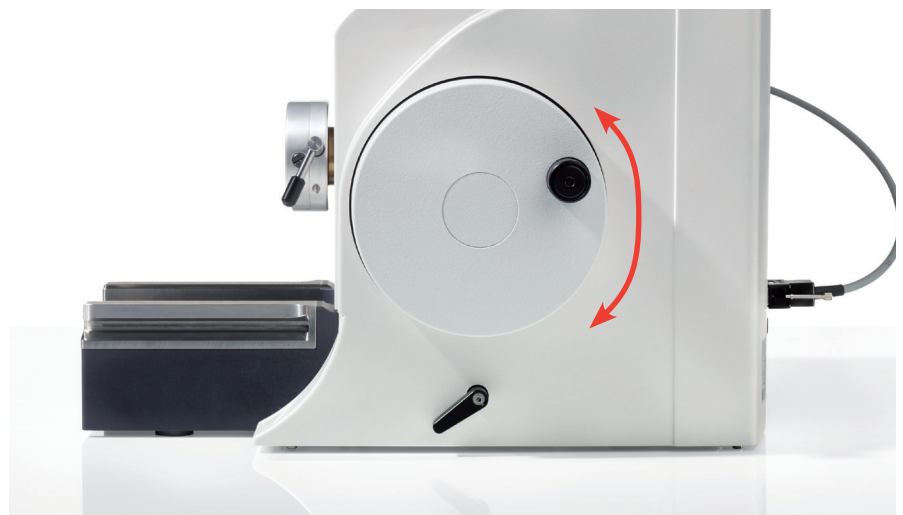
Beim Wiedereinschalten des Geräts, muss die Anschneideposition aus Sicherheitsgründen neu bestimmt und erneut gespeichert werden.

Rocking-Funktion

Diese neue Funktion ermöglicht manuelles Schneiden im Rocking-Modus. Zum Schneiden des Objekts bewegen Sie einfach das Handrad hin und her.

Einstellung der Rocking-Funktion

Drücken Sie auf die Taste ROCK [4], um die Rocking-Funktion zu starten.



- Drücken Sie die Taste ROCK [4] erneut, um die Rocking-Funktion zu stoppen.

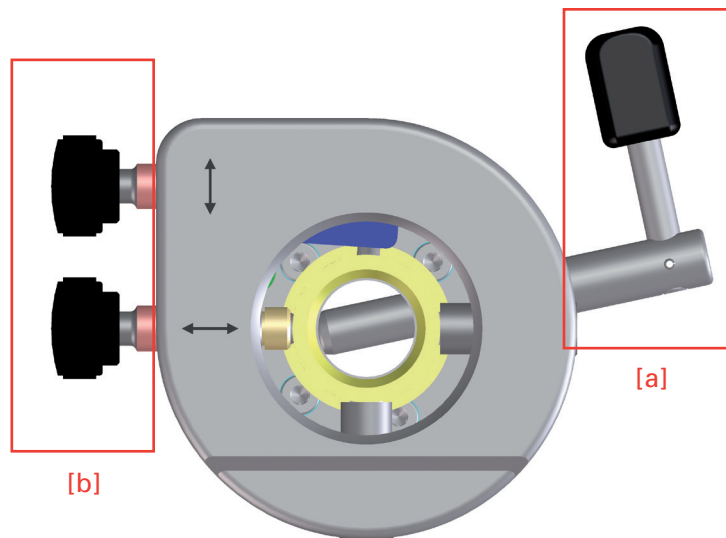
Adapter für Objektklammern

Adapter, starr

Dieser Adapter dient zur starren Befestigung der Objektklammern direkt am Vorschubzylinder des Geräts.

Adapter, orientierbar, Objektorientierung

Dieser Adapter dient zur orientierbaren Befestigung von Objektklammern. Dadurch lässt sich das Objekt in Relation zum Messer bzw. zur Klinge ausrichten.



Drehen Sie den Klemmhebel [a] nach vorn, um das Objekt in die gewünschte Position zu bringen.

Dadurch wird die Fixierung der Objektklammer gelöst und es ist nun eine Drehung um 360° um die Zylinderachse (Z-Achse) möglich.

Mit den beiden Orientierungsschrauben [b] lässt sich die Objektklammer auf der X-Achse und der Y-Achse um jeweils 8° drehen.

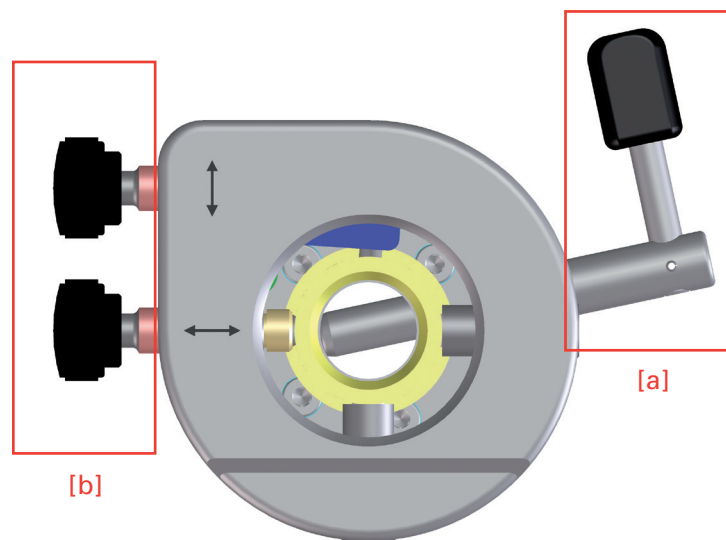
Nach der Ausrichtung des Objekts drehen Sie den Hebel [a] nach oben, um die Objektklammer vor dem Schneidevorgang zu fixieren.

Hinweis:

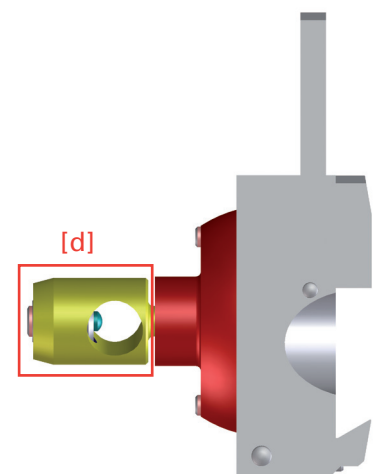
Beim Drehen der Orientierungsschrauben [b] ist in jeweils einer Position eine Rastung spürbar, wenn die Klammer in Relation zur Schneideoberfläche parallel ausgerichtet ist.

Objektklammern einspannen, bzw. wechseln

Die verfügbaren Objektklammern werden alle auf dieselbe Weise eingespannt bzw. gewechselt.



- Zum Wechseln der Objektklammer drücken Sie den Klemmhebel [a] nach unten und ziehen ihn zur Seite heraus.
- Jetzt lässt sich die Objektklammer nach vorn herausziehen, sodass eine andere Objektklammer eingesetzt werden kann.
- Führen Sie die neue Objektklammer so in den Zylinderkopf ein, dass der Klemmhebel [a] von rechts in ganzer Länge durch das Loch des Ausrichtungsadapters [d] eingeschoben werden kann.
- Richten Sie die Objektklammer dann mithilfe der Orientierungsschrauben [b] in der X- und Y-Achse und dann in der Z-Achse aus.
- Drücken Sie den Klemmhebel nach oben.



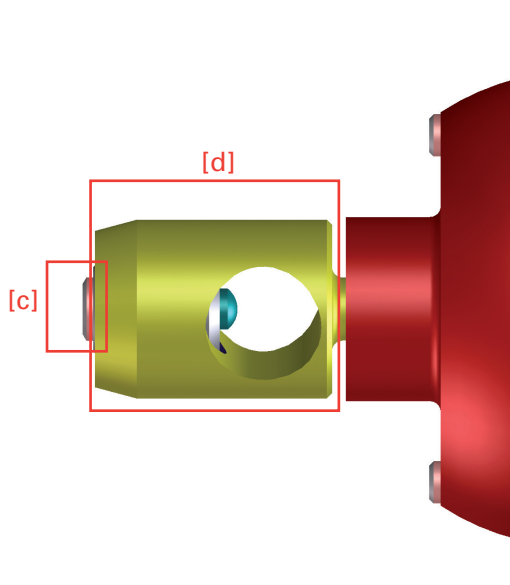
Nachjustierung der Objektklammern

Hinweis:

Die häufige Betätigung des Klemmhebels kann dazu führen, dass die optimale Klemmung verloren geht. Wenn die erforderliche Nachjustierung nicht vorgenommen wird, kann es evtl. dazu kommen, dass die Objektklammer nicht mehr festgeklemmt werden kann.

Der Klemmhebel [a] sollte für eine optimale Klemmung der Objektklammer fast senkrecht stehen.

- Um die Klemmposition des Klemmhebels [a] neu zu bestimmen, justieren Sie die innere Schraube [c] auf der Rückseite des Adapters [d] mit einem Inbusschlüssel (Größe: 3).
- Drehen Sie den Inbusschlüssel im Uhrzeigersinn, wenn keine Klemmung erreicht werden konnte oder wenn die Klemmposition des Klemmhebels [a] zu weit oben ist.
- Wenn die Klemmposition des Klemmhebels [a] zu weit unten ist, drehen Sie den Inbusschlüssel entgegen dem Uhrzeigersinn.
- Danach setzen Sie die Objektklammern wieder ein und überprüfen die Klemmposition. Führen Sie gegebenenfalls eine weitere, wie oben beschriebene, Korrektur durch.



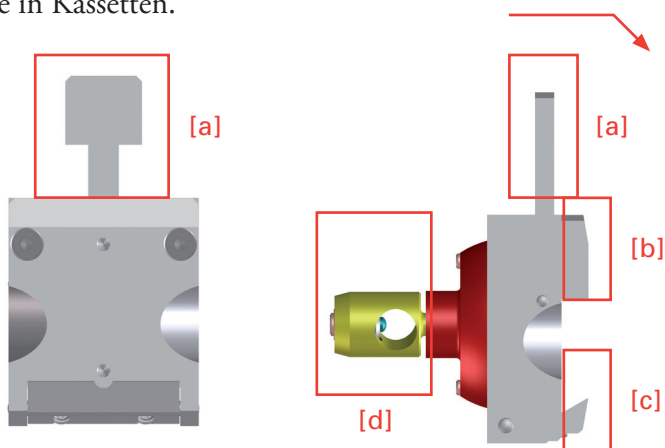
Aufnahme der Objekte

Hinweis:

Zur Aufnahme von Objekten stehen unterschiedliche Objektklammern zur Verfügung. In Verbindung mit dem orientierbaren Adapter lässt sich das Objekt korrekt und einfach zur Schnittebene ausrichten.

Universal-Kassettenklammer

Die Universal-Kassettenklammer ist ein Schnellwechselsystem für Objekte in Kassetten.

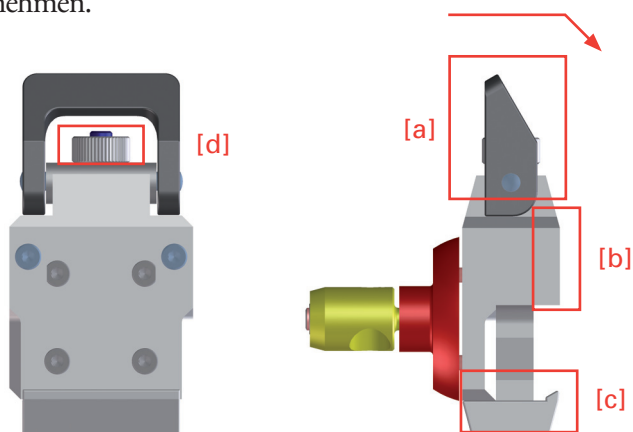


- Zum Einlegen oder Entnehmen der Kassette zwischen festen [b] und beweglichen [c] Backen ziehen Sie den Hebel [a] nach vorn (in Pfeilrichtung).

Hinweis: Um eine optimale Klemmwirkung zu erzielen, sollten die Kassetten-Anlageflächen frei von Paraffin sein.

Universal-Kassettenklammer, justierbar

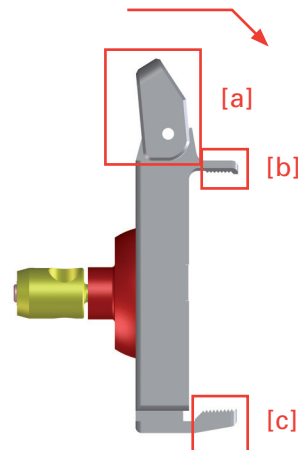
- Bewegen Sie den Klemmhebel [a] nach oben, um Kassetten zwischen den festen Backen [b] und den beweglichen Backen [c] einzulegen oder zu entnehmen.



- Zur Anpassung der Größe an eine Kassettengröße, die nicht der Norm entspricht, verwenden Sie die Stellmutter [d].

Zum Schneiden von großen Objekten sind 2 verschiedene Makro-Universal-Kassettenklammern (Makro-UKK, verstellbar) erhältlich, die mit Macroflow-Kassetten oder anderen im Handel erhältlichen Makro-Kassetten verwendet werden können.

Die uneingeschränkte Nutzung der Makro-UKK ist nur mit dem ER-Klingenträger möglich.

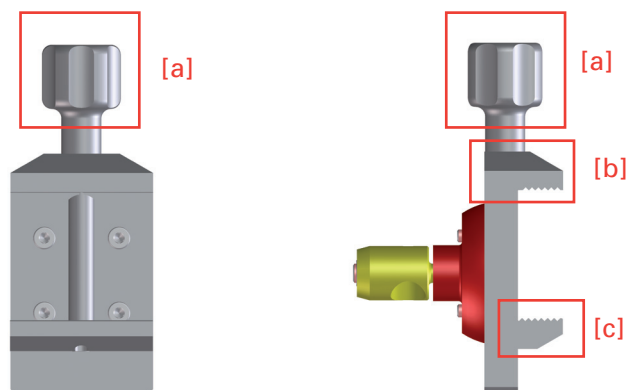


Hinweis:

Es kann maximal eine Objektgröße von 68 mm x 50 mm geschnitten werden. Die Paraffinblöcke in den Macroflow-Kassetten sind 70-72 mm lang und sollten daher manuell auf eine Länge von 68 mm getrimmt werden.

Standard-Objekt- klammer

Die Standard-Objektklammer wird für rechteckige und quadratische Paraffin- und Kunststoffblöcke verwendet.



- Legen Sie das Objekt beim Einsetzen am festen Backen [b] an.
- Ziehen Sie dann die Klemmschraube [a] fest, um das Objekt mit dem beweglichen Backen [c] zu spannen.

Hinweis:

Lassen Sie das Objekt aus Stabilitätsgründen nicht zu weit über die Spannbacken vorstehen.

Hinweis:

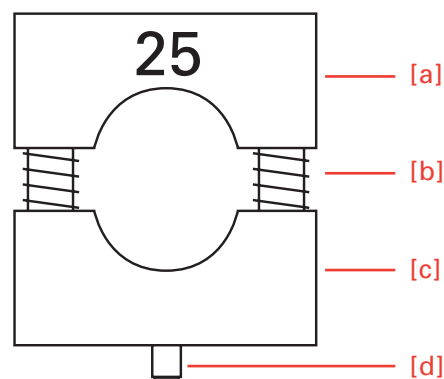
Die Standard-Objektklammer ist mit zwei verschiedenen beweglichen Backen [c] ausgestattet, die jeweils ein unterschiedliches Gewicht haben. Der leichte Backen wird zusammen mit Rundprobeneinsätzen verwendet.

Hinweis:

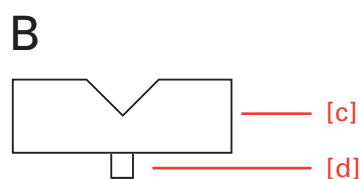
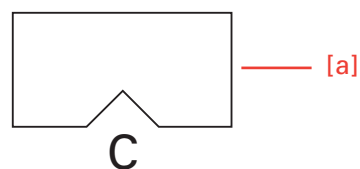
Für den Austausch des beweglichen Backens [c] drehen Sie die Klemmschraube [a] vollständig heraus. Entnehmen Sie den Backen und setzen Sie den anderen ein.

Rundprobeneinsatz, V-Einsatz und V-Distanzstück

Um runde Objekte zu fixieren, lassen sich der Rundprobeneinsatz mit definierten Durchmessern von 6, 15, 19 und 25 mm (Sondergrößen auf Anfrage) oder der V-Einsatz oder das V-Distanzstück in die Standard-Objektklammer einspannen.

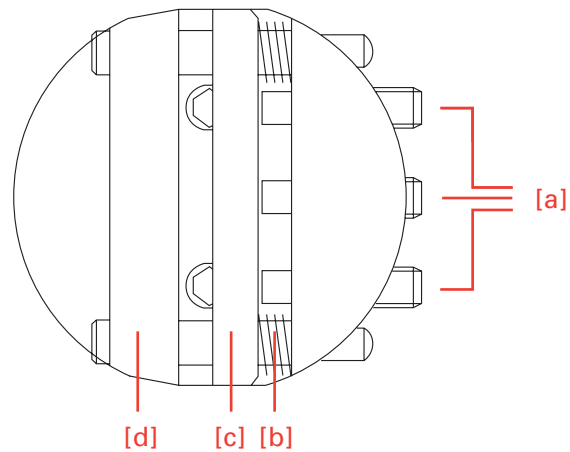


- Mit dem Stift [d], der in die unteren Spannbacken [c] passt, wird der Einsatz präzise ausgerichtet. Die beiden Federn [b] ermöglichen ein leichtes Entnehmen des Objekts aus den Einsätzen.



- Zur Befestigung des V-Distanzstücks am festen Backen der Standard-Objektklammer muss die Klemmschraube von der Spindel abgeschraubt werden.
- Ziehen Sie die Spindel aus der Klammer.
- Nach dem Einsetzen des V-Distanzstücks setzen Sie die Spindel wieder ein und schrauben die Klemmschraube auf.

Folienklammer Die Folienklammer wird für Folien oder flache Objekte verwendet.



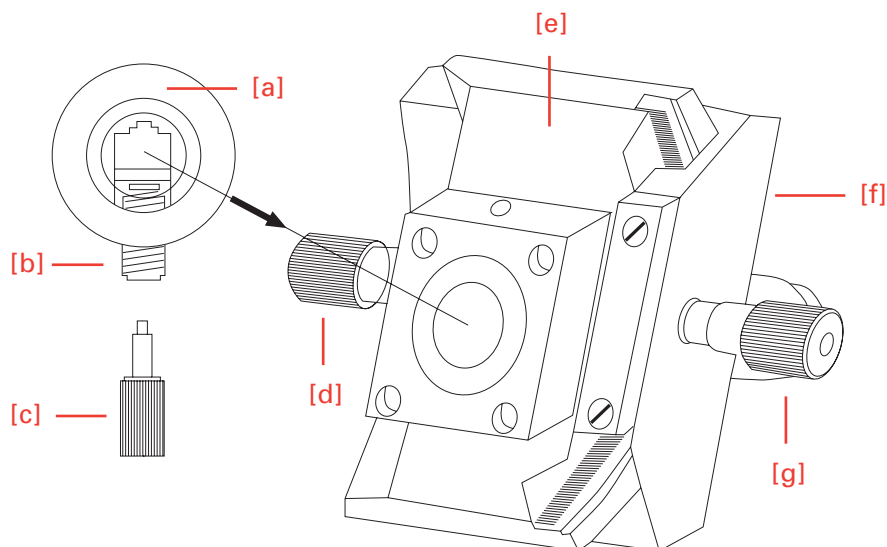
- Um das Objekt einzulegen, lösen Sie die drei Klemmschrauben [a] leicht und verschieben Sie den beweglichen Backen [c] gegen die beiden Federn [b] zur Seite.
- Das Objekt wird von den Federn [b] in Position gehalten; es lässt sich jedoch noch verschieben. Drehen Sie die drei Klemmschrauben [a] ein, um das Objekt zwischen den Backen zu spannen.
- Bei Verwendung eines Ausrichtungsadapters mit dem Gerät setzen Sie zunächst den im Lieferumfang enthaltenen graduierten Ring mithilfe des Stifts in den Ausrichtungsadapter ein. Mit dem graduierten Ring wird die Ausrichtung in X-/Y-Richtung aufgehoben.
- Es ist jedoch eine Drehung auf der Z-Achse um 60 ° in jede Richtung möglich.
- Setzen Sie dann die Folienklammer ein.

Hinweis:

Je nach Objekt kann es hilfreich sein, zusätzlich das Sandwich-Trägermaterial von Thermo Scientific (Kat.-Nr. 176010) auf der rechten und der linken Seite zwischen Objekt und Spannbacken zu verwenden.

Segmentbogen und Universal- Präparatehalter

Der Segmentbogen ist in Verbindung mit dem Universal-Präparatehalter optimal für das Einspannen kleiner Präparate in Kunststoffeinbettung oder Industrieproben geeignet.



- Das Objekt wird in den Halter [a] eingesetzt und unter Verwendung des Inbusschlüssels [c] mit der Schraube [b] geklemmt.
- Dann wird der Halter zusammen mit dem Objekt in das Segment [e] gelegt, wo sich der Halter um 360° drehen lässt.
- Dadurch kann das Objekt nach Bedarf ausgerichtet werden.
- Dann wird der Halter mit der Schraube [d] in der gewählten Position arretiert.
- Das Segment [e] lässt sich auf der Basis [f] schwenken. Auf diese Weise lässt sich die Objektoberfläche parallel zur Schnittebene positionieren.
- Die Schraube [g] dient zum Schwenken des Segments auf der Basis.

Messer- und Klingenträger

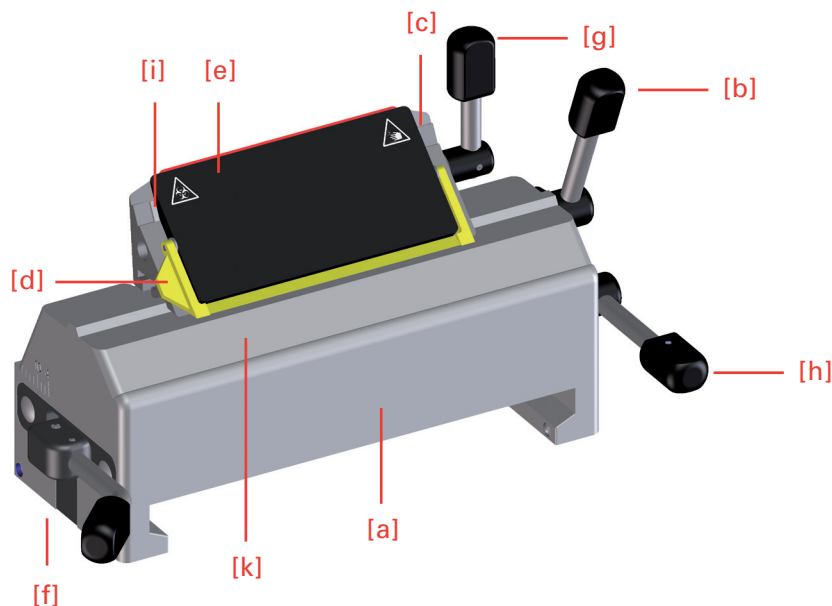


GEFAHR VON HANDVERLETZUNGEN

Durch die beweglichen Teile des Mikrotommessers bzw. der Mikrotomklinge entsteht ein Gefahrenbereich, in dem es zu Handverletzungen kommen kann, wenn die Sicherheitsmaßnahmen und die Gebrauchsanweisung nicht sorgfältig befolgt werden. Die Messer- oder Klingenträger des Mikrotoms sind bedienerfreundlich; sie lassen sich seitlich verschieben und sind zum Schutz des Bedieners beim Einrichten von Messer bzw. Klinge und dem Objekt mit einem Messer- oder Klingenschutz ausgestattet.

Einwegklingenträger „ER“

Der Einwegklingenträger ER ist für die Aufnahme aller handelsüblichen Schmal- und Breitband-Klingen konzipiert.



Verwendung von Schmalband-Klingen

- Setzen Sie die Klinge in den Spalt hinter der Andruckplatte [e] ein, indem Sie den Klemmhebel [g] nach vorn drehen. Schwenken Sie den Fingerschutz [d] nach vorn.
- Lösen Sie den Klemmhebel [g] und drücken Sie zudem ggf. leicht auf den unteren Bereich der Andruckplatte [e].
- Legen Sie die Klinge auf der Schiene [c] ein und schieben Sie sie von der Seite zur Mitte hinein.
- Drehen Sie den Klemmhebel [g] anschließend wieder nach oben und fixieren Sie somit die Klinge.
- Nach dem Lösen des Klemmhebels [b] und nachdem der Bügel [d] nach oben geklappt wurde, verschieben Sie die Klinge zusammen mit dem kompletten oberen Teil, ohne dass Sie dazu die Klingenklemmung lösen müssen.
- Auf diese Weise lässt sich die gesamte Schneidelänge der Klinge nutzen.
- Ziehen Sie den Klemmhebel [b] dann wieder fest.

Der Hebel [b] lässt sich abnehmen, indem Sie ihn zur Seite heraus ziehen.

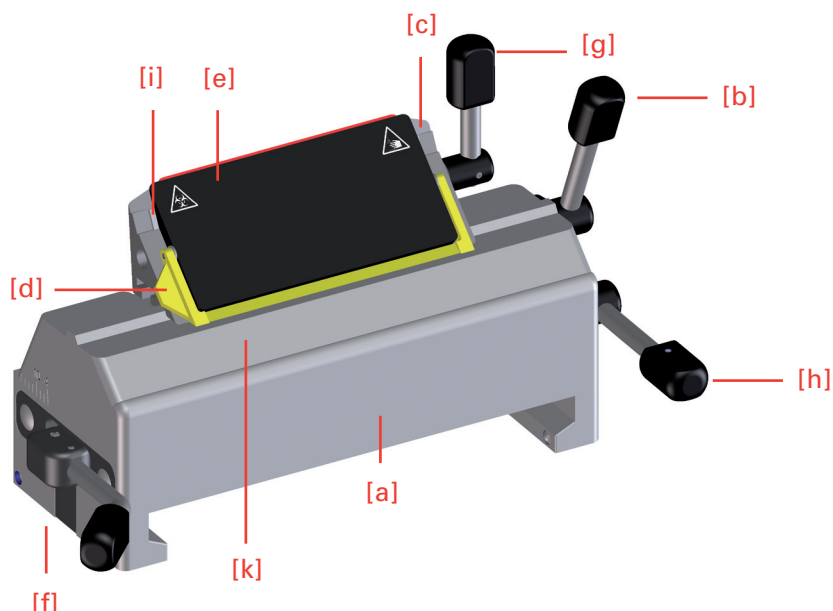
Verwendung von Breitband-Klingen

Bei der Verwendung von Breitband-Klingen entfernen Sie zunächst den Distanzstreifen [i].

- Dazu drehen Sie den Klemmhebel [g] bis zum Anschlag nach vorn.
- Ziehen Sie den Klemmhebel [g] heraus und entfernen Sie die Andruckplatte [e].
- Entfernen Sie den Distanzstreifen [i].
- Setzen Sie die Andruckplatte und den Klemmhebel wieder ein.

Freiwinkel-Einstellung

Der Freiwinkel zwischen Schneide und Objekt lässt sich verstellen und an die jeweiligen Schnittanforderungen anpassen.



- Lösen Sie den Klemmhebel [h] auf der rechten Seite des Klingenträgers und schwenken Sie den oberen Teil [k] des Klingenträgers auf der Basis [a].

Der eingestellte Freiwinkel kann an der seitlichen Skala am oberen Teil [k] abgelesen werden.

- Drehen Sie dann den Klemmhebel [h] nach oben, um den Freiwinkel zu fixieren.

Der Klemmhebel [h] lässt sich nach der Einstellung des korrekten Winkels abziehen, um ein versehentliches „Verstellen“ des Winkels zu vermeiden.

Hinweis:

Verwendbare Schnitte werden erfahrungsgemäß erst mit einem Freiwinkel von mindestens 10° erreicht.

Verschieben des Klingenträgers auf den Wangen

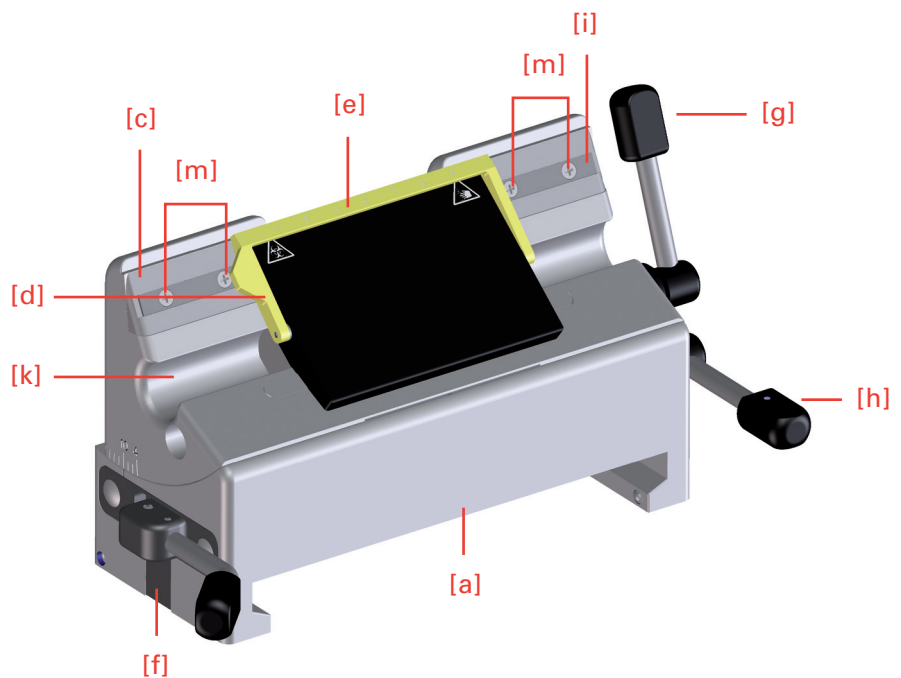
Lösen Sie den Klemmhebel [f] auf der rechten Seite des Klingenträgers, um den Träger auf den Führungsschienen vor und zurück zu schieben. Dadurch lässt sich eine Grobeinstellung der Klinge zum Objekt erreichen.

Schutz vor Verletzungen

Eine Klammer [d] an der Klemmplatte lässt sich zum Schutz vor Verletzungen nach oben über die Klinge schieben.

Einwegklingenträger „E“

Der Einwegklingenträger E ist für die Aufnahme aller im Handel erhältlichen Hochprofil- oder Flachprofil-Klingen konzipiert.



Einsetzen der Klinge

Setzen Sie die Klinge in den Spalt hinter der Andruckplatte [e] ein.

- Lösen Sie bei Verwendung von Breitband-Klingen zunächst die vier Schrauben [m] und entfernen Sie den Distanzstreifen [i].
- Drehen Sie den Klemmhebel [g] nach vorn.
- Schwenken Sie den Bügel mit der Skala [d] nach vorn.
- Ein kleiner Spalt zwischen der Schiene [c] und der Andruckplatte [e] wird sichtbar.
- Legen Sie die Klinge auf der Schiene [c] ein und drücken Sie diese von der Seite zur Mitte hinein.
- Drehen Sie den Klemmhebel [g] anschließend wieder nach oben und fixieren Sie somit die Klinge.

Der Fingerschutzbügel [d] wird mit einer Skala geliefert.

- Verschieben Sie nach dem Lösen des Klemmhebels [g] und nach dem Schwenken des Bügels [d] nach oben die Klinge zusammen mit der Andruckplatte [e] gemäß der Skala nach links oder rechts.
- Auf diese Weise lässt sich die gesamte Schneidenlänge der Klinge nutzen. Drücken Sie den Klemmhebel [g] nach oben.
- Die Hebel [g] und [h] lassen sich abnehmen, indem Sie sie zur Seite herausziehen.
- Der Hebel [g] kann auch auf der linken Seite eingesetzt werden. Auf diese Weise lässt sich die Klinge mit der linken Hand einklemmen.

Freiwinkel-Einstellung

Der Freiwinkel zwischen Schneide und Objekt lässt sich verstellen und an die Schnittanforderungen anpassen.

- Lösen Sie den Klemmhebel [h] auf der rechten Seite des Klingenträgers und schwenken Sie den oberen Teil [k] des Klingenträgers auf der Basis [a].
- Der eingestellte Freiwinkel kann an der seitlichen Skala am oberen Teil [k] abgelesen werden.
- Drehen Sie dann den Klemmhebel [h] nach oben, um den neuen Freiwinkel zu fixieren.

Hinweis:

Verwendbare Schnitte werden erfahrungsgemäß erst mit einem Freiwinkel von mindestens 10° erreicht.

Wenn der Klemmhebel [h] gelöst wird, lässt sich der obere Teil [k] des Klingenträgers zusätzlich um 1 cm nach links oder rechts verschieben. Auf diese Weise lässt sich die Schneide optimal nutzen.

Der Klemmhebel [h] lässt sich nach der Einstellung des korrekten Winkels abziehen, um ein versehentliches „Verstellen“ des Winkels zu vermeiden.

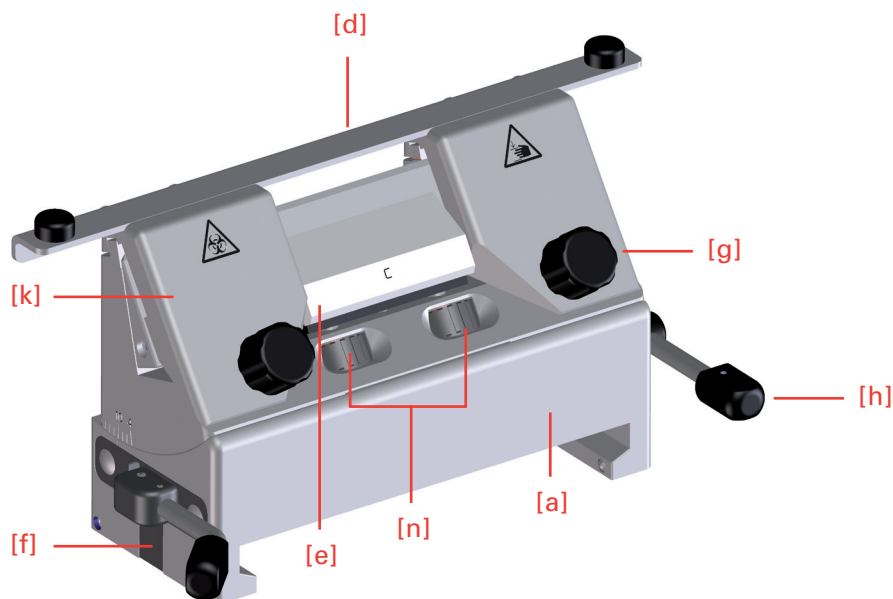
Verschieben des Klingenträgers auf den Wangen

- Lösen Sie den Klemmhebel [f] auf der linken Seite des Klingenträgers, um den Träger auf den Führungsschienen vor oder zurück zu schieben. Dies ermöglicht eine Grobjustierung der Klinge zum Objekt.

Schutz vor Verletzungen

Der Bügel [d] an der Andruckplatte [e] lässt sich zum Schutz vor Verletzungen nach oben über die Klinge schwenken.

Messerträger „C“



Einsetzen des Messers

- Zum Einsetzen des Messers werden die Klemmschrauben [g] etwas herausgedreht werden, bis das Messer seitlich eingeschoben werden kann.
- Die Messerhöhe wird mit den beiden Rändelmuttern [n] eingestellt.

Wenn der Schneidbereich des Messers nicht mehr brauchbar ist, kann es durch Lösen der Klemmschrauben [g] in seiner gesamten Länge nach links und rechts verschoben werden. Dadurch lässt sich die gesamte Messerschneide vollständig nutzen.

ACHTUNG!

Ziehen Sie beim Einspannen des Messers beide Klemmschrauben [g] gleichzeitig an.

Freiwinkel-Einstellung

Der Freiwinkel zwischen Schneide und Objekt lässt sich verstellen und an die Schnittanforderungen anpassen.

- Lösen Sie den Klemmhebel [h] auf der rechten Seite des Klingenträgers und schwenken Sie den oberen Teil [k] des Klingenträgers auf der Basis [a]. Der eingestellte Freiwinkel kann an der seitlichen Skala des oberen Teils [k] abgelesen werden.
- Drehen Sie dann den Klemmhebel [h] nach oben, um den neuen Freiwinkel zu fixieren.

Der Klemmhebel [h] lässt sich nach der Einstellung des korrekten Winkels abziehen, um ein versehentliches „Verstellen“ des Winkels zu vermeiden.

Hinweis:

Verwendbare Schnitte werden erfahrungsgemäß erst mit einem Freiwinkel von mindestens 10° erreicht.

Wenn der Klemmhebel [h] gelöst wird, lässt sich der obere Teil [k] des Klingenträgers um 1 cm nach links oder rechts verschieben. Auf diese Weise lässt sich die Schneide optimal nutzen.

Verschieben des Messerträgers auf den Wangen

Lösen Sie den Klemmhebel [f] auf der linken Seite des Messerträgers, um den Träger auf den Führungsschienen vor und zurück schieben zu können. Dies ermöglicht eine Grobjustierung des Messers zum Objekt.

Schutz vor Verletzungen

Der Messerträger verfügt über zwei Fingerschutzvorrichtungen [d], die sich seitlich verschieben lassen. Diese Vorrichtungen sollten beim Einrichten des Messers oder des Objekts in der Mitte zusammengeschoben sein. Dies verringert die Verletzungsgefahr maßgeblich.

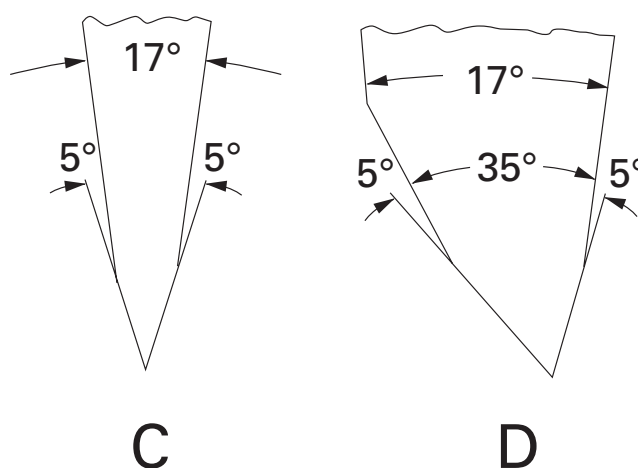
Mittlere Klemmplatte

Das Messer wird im Schneidebereich durch die zentrale Andruckplatte [e] geklemmt und stabilisiert – genau dort, wo die stärksten Schneidekräfte wirken.

Die zentrale Andruckplatte ist in zwei Ausführungen für den jeweiligen Messerschleiff erhältlich:

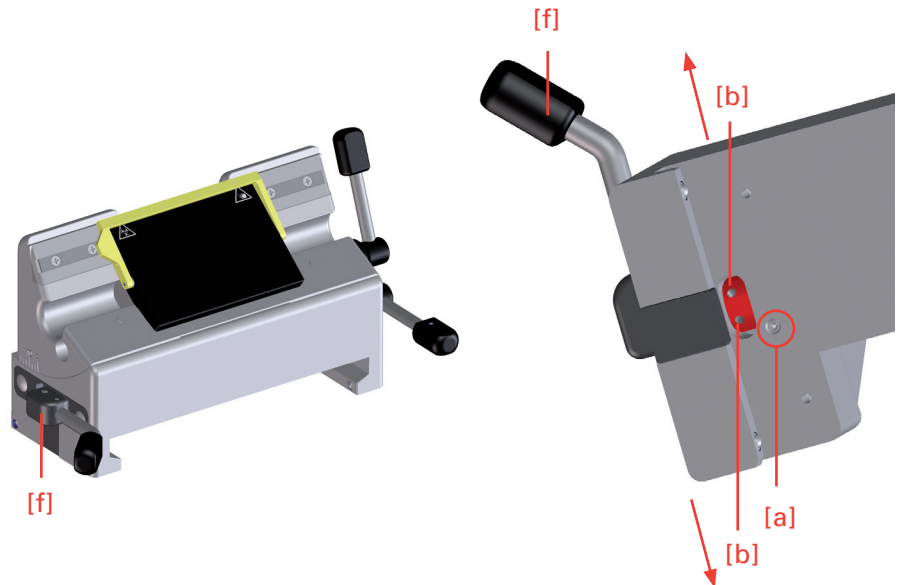
- zentrale Andruckplatte C für C-Messer
- zentrale Andruckplatte D für D-Messer

Die Grafik unten zeigt eine schematische Darstellung der Winkel am Schneidenprofil von C- und D-Messern.



Nachjustierung von Messer- und Klingenträgern

Die häufige Betätigung der Klemmhebel [f] kann dazu führen, dass sich die Messer- oder Klingenträger nicht mehr optimal klemmen lassen. Wenn die erforderlichen Nachjustierungen nicht vorgenommen werden, kann es evtl. dazu kommen, dass die Messer- oder Klingenträger nicht mehr auf den Führungsleisten geklemmt werden können.



Wenn der Klemmhebel [f] keine ausreichende Klemmung mehr bietet, lässt sich die Klemmung wie folgt nachstellen:

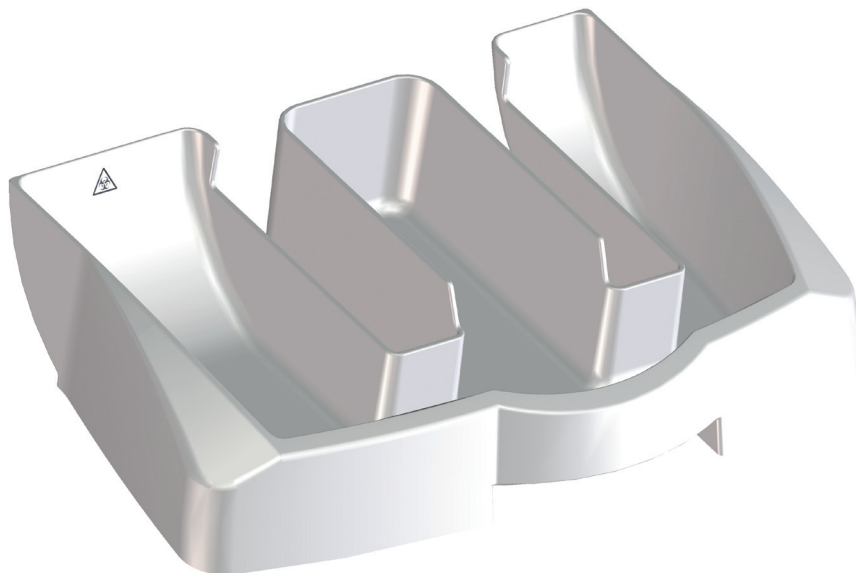
- Lösen Sie die Arretierschraube [a] an der Unterseite des Messer-/Klingenträgers.
- Führen Sie einen Stift in ein Loch der Justierschraube [b] ein und drehen Sie die Schraube in eine der oben dargestellten Richtungen.
- Wenn die Klemmung verstärkt werden soll, drehen Sie die Justierschraube [b] nach rechts.
- Wenn die Klemmung verringert werden soll, drehen Sie die Justierschraube [b] nach links.
- Vor dem erneuten Einsetzen des Messer- oder Klingenträgers ziehen Sie die Arretierschraube [a] an.
- Schieben Sie anschließend den Messer- oder Klingenträger auf die Führungsleisten und überprüfen Sie die Klemmfunktion.

Für eine optimale Festigkeit des Messer-/Klingenträgers sollte die Klemmung beginnen, wenn der Griff des Hebels [f] ungefähr parallel zur Stirnseite des Messer-/Klingenträgers steht.

Wiederholen Sie nach Bedarf die oben beschriebenen Schritte erneut.

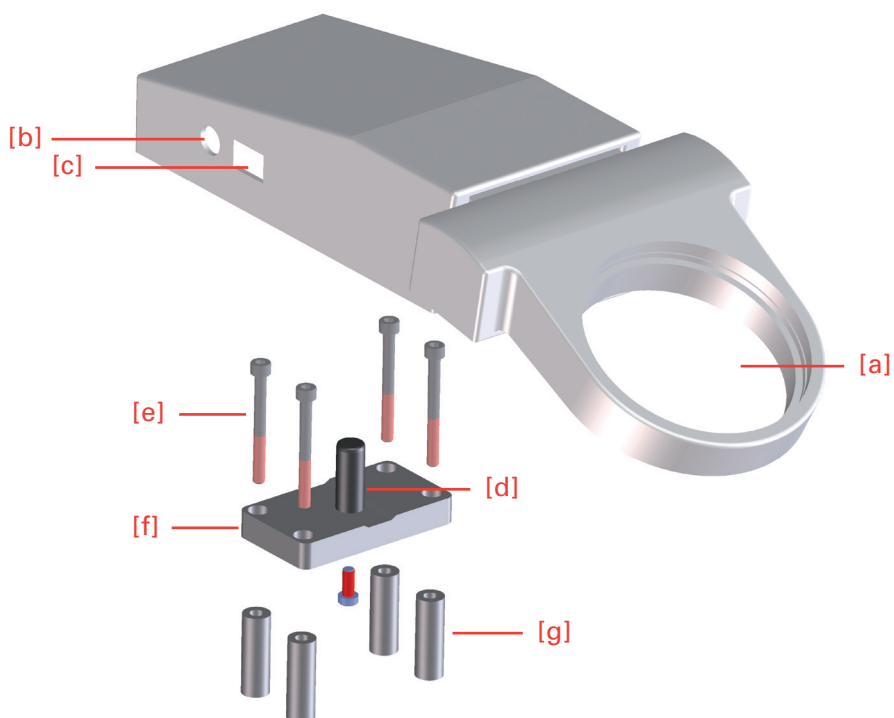
Schnittabfallwanne mit integrierter Armauflage

Die Schnittabfallwanne umschließt den Bereich des Messer-/Klingenträgers und ermöglicht dank der integrierten Armauflage ein ermüdungsfreies Arbeiten mit dem Mikrotom. Sie lässt sich jederzeit nach vorn abziehen und ist leicht zu reinigen.



Großfeldlupe

Die Großfeldlupe ermöglicht eine 2,5-fache Vergrößerung.



Verbinden Sie die integrierte Beleuchtung über das Netzkabel [b] mit dem Stromnetz und schalten Sie sie mit dem Schalter [c] ein und aus.

ACHTUNG!

Überprüfen Sie vor der Inbetriebnahme der Großfeldlupe, ob die Netzspannungsbedingungen am Montageort mit der am Netzteil der Lupe angegebenen Versorgungsspannung und Frequenz übereinstimmen.

ACHTUNG!

Die Großfeldlupe kann nicht zusammen mit dem Zusatzzubehör Cool-Cut betrieben werden.

**Montage der Großfeldlupe
am Mikrotom**

Benutzen Sie die im Lieferumfang enthaltenen Befestigungselemente für die Montage der Lupe am Mikrotom.

- Entfernen Sie die Abdeckplatte von der Geräteoberseite.
- Entfernen Sie die vier Schutzkappen von der Gehäuseoberseite.
- Führen Sie die vier Distanzhülsen [g] vorsichtig mit Hilfe einer Schraube [e] in die Bohrungen ein.

ACHTUNG!

Achten Sie darauf, dass die Hülsen nicht in den Innenraum des Mikrotoms fallen!

Hinweis:

Montieren Sie die Platte [f] so, dass der Zapfen [d] näher zur Vorderseite des Mikrotoms platziert ist!

- Legen Sie die Platte [f] auf die Hülsen und befestigen Sie sie mit den vier Schrauben [e] am Mikrotom.
- Stecken Sie die Lupe mit dem verschiebaren Kunststoffsockel, der sich an der Unterseite befindet, auf den Zapfen [d] auf.
- Die Lupe kann nach vorn und hinten in die jeweils günstigste Betrachtungsposition verschoben werden.

Hinweis:

Wenn die Großfeldlupe nicht verwendet wird, heben Sie sie leicht an und drehen Sie sie auf dem Zapfen zur Seite weg.

Kapitel 4 Arbeiten mit dem Mikrotom



GEFAHR VON HANDVERLETZUNGEN

Durch die beweglichen Teile am Mikrotommesser bzw. an der Mikrotomklinge besteht die Gefahr, dass es zu Handverletzungen kommen kann, wenn die Sicherheitseinrichtungen des Mikrotoms und die Gebrauchsanweisung nicht beachtet werden.

Die Messer- und Klingenträger des Mikrotoms sind bedienerfreundlich; sie lassen sich seitlich verschieben und sind zum Schutz des Bedieners beim Einrichten von Messer bzw. Klinge und Objekt mit einem Fingerschutz ausgestattet.

Anweisungen zum Schneiden

Hinweis:

Um brauchbare Schnitte zu erhalten, sind die folgenden Punkte von absoluter Wichtigkeit:

Zustand der Messer-/Klingenschneide

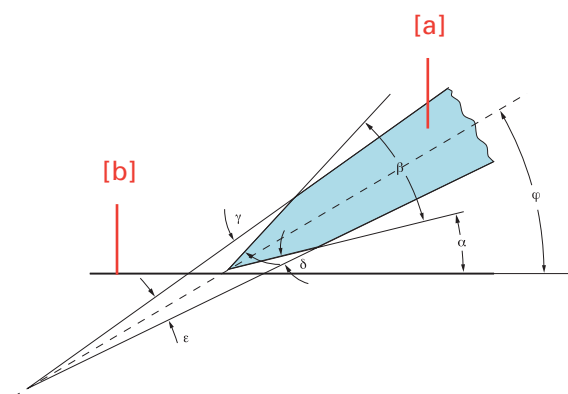
NUR SCHARFE MESSER/KLINGEN VERWENDEN!

- Wenn die Schneide stumpf ist, verschieben Sie das Messer bzw. die Klinge horizontal nach rechts oder links, um mit einem noch scharfen Bereich der Schneide weiterzuarbeiten, oder lassen Sie das Messer schärfen bzw. ersetzen Sie die Klinge durch eine neue.
- Für optimale Schnitte müssen Vorder- und Rückseite des Messers, bzw. der Klinge, sauber sein.
- Insbesondere Paraffinrückstände müssen gründlich entfernt werden!

Einstellung des Schneidwinkels

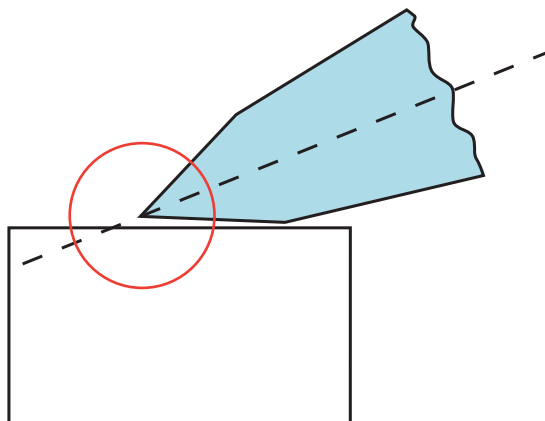
Winkel am Messer [a] in Relation zur Blockoberfläche [b]:

- 1 Freiwinkel α
- 2 Keilwinkel β
- 3 Oberer Abzugswinkel γ
- 4 Unterer Abzugswinkel δ
- 5 Klingenwinkel ε
- 6 Neigungswinkel φ

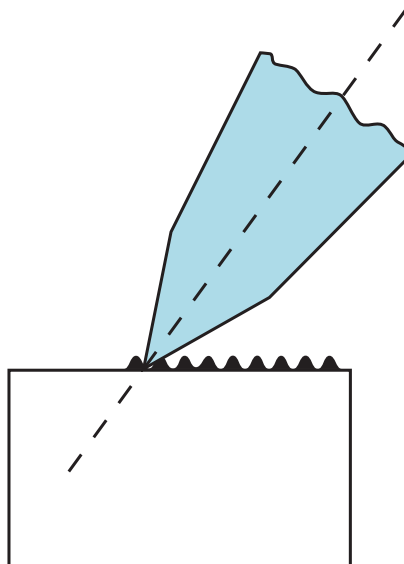


Das Messer bzw. die Klinge darf niemals in einem zu flachen Winkel

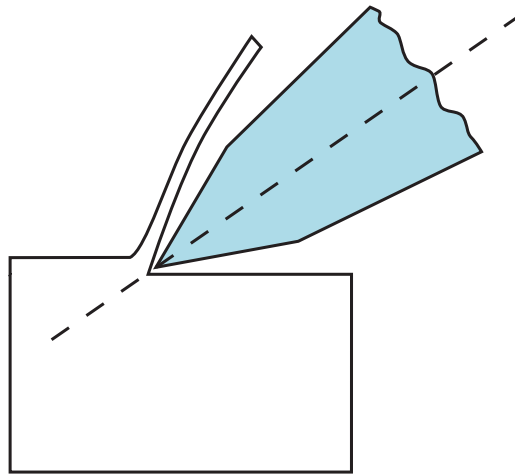
Das Messer bzw. die Klinge darf niemals in einem zu flachen Winkel eingesetzt werden. Ansonsten dringt das Messer bzw. die Klinge überhaupt nicht in den Block ein. Nur der Rücken der Facette schleift in diesem Fall über die Schnittfläche.



Ein zu steiler Winkel ist ebenfalls ungünstig, da das Messer bzw. die Klinge während des Schneidens möglicherweise zu stark vibriert. Es entstehen so genannte „Chatter“ (Stufen). Auf der Blockoberfläche und auf den Schnitten erscheinen sie als parallele Streifen zur Messerschneide, die die mikroskopische Auswertung der Schnitte stark beeinträchtigen.



Zwischen diesen beiden Extremen muss die korrekte Messereneigung ermittelt werden. Ein Freiwinkel von ca. 5° zwischen Facettenwinkel und Blockoberfläche ist anzustreben.



ACHTUNG!

Die verschiedenen Mikrotomhersteller nutzen unterschiedliche Skalierungen für die Freiwinkeleinstellung, die auf verschiedenen Berechnungsgrundlagen basieren. Der Freiwinkel kann sich auf die Facettenoberfläche oder auf den Winkel zwischen Hauptoberfläche des Messers und Blockoberfläche beziehen. Da die Facette eine Divergenz von etwa 5° zur Hauptoberfläche des Messers hat, beträgt die sich daraus ergebene Differenz ebenfalls etwa 5° .

STELLEN SIE DAHER FÜR THERMO SCIENTIFIC MICROM-GERÄTE EINEN KORREKTEN WINKEL VON 10° EIN.

So lassen sich Fehler vermeiden

Objektvorbereitung:

Stellen Sie bei der Objektvorbereitung sicher, dass ein geeignetes Einbettmedium, eine korrekte Fixierung sowie eine korrekte Dehydrierungs- und Infiltrationszeit gewählt werden.

Objekttemperatur:

Das Schneiden erfolgt bei Umgebungstemperatur (außer Gefrierschnitte). Bei einer zu hohen Temperatur wird das Paraffin weich. Vermeiden Sie es daher, Paraffinobjekte durch direkte Sonneneinstrahlung oder durch andere Wärmequellen zu erwärmen.

Anziehen der Klemmschrauben:

Ziehen Sie alle Klemmschrauben und Klemmhebel an Messer-/Klingenträger, Objektklammern und Objektorientierung an.

Auswahl des Messers bzw. der Klinge:

Wählen Sie je nach Anwendung das Messer- bzw. die Klinge bezüglich Material, Schliff und Profil sorgfältig aus.

Einstellen des Messers bzw. der Klinge:

Achten Sie darauf, den richtigen Freiwinkel des Messers einzustellen: 5 – 7° bei Glasmessern. Fragen Sie hinsichtlich der Einstellungen bei Diamantmessern beim Messerhersteller nach. Wählen Sie bei Metallmessern oder Klingen je nach Facettenschliff einen Freiwinkel von 5 – 15°. Die Standardeinstellung ist ein Winkel von 10 – 12°. Stellen Sie auch die Messerhöhe ein.

Schneidegeschwindigkeit:

Schneiden Sie immer mit einer geeigneten Geschwindigkeit.

Hinweis:

Faustregel: Je härter das Material, desto langsamer die Schneidegeschwindigkeit!

Trimmen:

Nähern Sie Messer bzw. Klinge und Objekt beim Anschneiden vorsichtig einander an.

Mögliche Fehlerquellen – Ursachen und Behebung

Problem	Ursache	Lösung
Dick-Dünn-Schnitte	Stumpfes Messer/Stumpfe Klinge	Messer bzw. Klinge verschieben oder austauschen
	Messer-/Klingenwinkel, ungünstiger Freiwinkel	Freiwinkel ausprobieren, bis der optimale Winkel eingestellt ist
Schnittstauchungen	Unzureichende Klemmung an der Objektklammer und/oder am Messer-/Klingenträger	Überprüfen Sie alle Schraub- und Klemmverbindungen an der Objektklammer und am Messer-/Klingenträger. Ziehen Sie sie nach Bedarf an.
	Stumpfes Messer/stumpfe Klinge	Messer bzw. Klinge verschieben oder austauschen
	Objekt zu warm	Kühlen Sie das Objekt
	Ungünstiger Freiwinkel	Stellen Sie den Freiwinkel auf den optimalen Winkel ein
„Chatter“ (Stufen) in den Schnitten	Zu hohe Schneidegeschwindigkeit	Drehen Sie das Handrad langsamer
	Zu hohe Schneidegeschwindigkeit	Drehen Sie das Handrad langsamer
	Ungünstiger Freiwinkel	Stellen Sie den Freiwinkel auf den optimalen Winkel ein
Keine Zustellung und daher werden keine Schnitte generiert	Unzureichende Klemmung an der Objektklammer und/oder am Messer-/Klingenträger	Überprüfen Sie alle Schraub- und Spannverbindungen an der Objektklammer und am Messer-/Klingenträger. Ziehen Sie sie nach Bedarf an
	Die vordere Endlage ist erreicht	Bewegen Sie die Objekte mithilfe des Zustell-Schrittmotors nach hinten
Schwergängiges Handrad, teilweise	Der Zustell-Schrittmotor ist blockiert	Wenden Sie sich an einen Servicetechniker
	Schmutz und Schnittabfall zwischen Mikrotom und Grundplatte	Schnittabfall entfernen und Mikrotom reinigen
Schwergängiges Handrad, während der gesamten Bewegung	Verschmutzter Kulissenstein	Wenden Sie sich an einen Servicetechniker
Handrad lässt sich nicht drehen	Die mechanische Handradbremse ist aktiviert	Lösen Sie die Handradbremse, indem Sie den Hebel nach unten bewegen
Das Gerät lässt sich nicht einschalten	Das Netzkabel ist nicht korrekt angeschlossen	Überprüfen Sie das Netzkabel
	Defekte Hauptsicherung	Überprüfen/tauschen Sie die Sicherungen im Sicherungshalter aus

Hinweis: Schalten Sie das Gerät bei Fehlfunktionen oder zu Servicearbeiten aus und wenden Sie sich an Ihren zuständigen Vertragspartner.

Kapitel 5

Wartung und Pflege

Reinigung und Pflege

Das Mikrotom sollte täglich gereinigt und gepflegt werden. Bitte gehen Sie dazu folgendermaßen vor:

- Schalten Sie das Gerät mit dem Netzschalter aus.
- Aktivieren Sie die mechanische Handradbremse.
- Entfernen Sie das Messer/die Klinge aus dem Messer-/Klingenträger. Reinigen Sie es/sie und bewahren Sie es/sie in einem Messerkasten bzw. Klingendispenser auf!
- Entfernen Sie den Schnittabfall mit einem trockenen Pinsel.
- Ziehen Sie die Schnittabfallwanne nach vorn und entsorgen Sie den Schnittabfall gemäß den speziellen Laborvorschriften.

ACHTUNG!

Stellen Sie ein Messer nie mit der Schneide nach oben auf den Tisch!

- Lösen Sie den Klemmhebel auf der linken Seite des Messer- oder Klingenträgers und ziehen Sie den Träger nach vorn heraus.
- Reinigen Sie die Bedienelemente und die Oberflächen des Messer- oder Klingenträgers, insbesondere dort, wo das Messer bzw. die Klinge eingeschoben sind.
- Reinigen Sie die Führungsleisten, das Handrad, die Objektklammer, die Objektorientierung sowie die Grundplatte und das Gehäuse.

Hinweis:

Zur Reinigung des Mikrotoms können milde Haushaltsreiniger verwendet werden. Verwenden Sie keine aggressiven Reinigungs- oder Lösungsmittel, da diese den Lack und die Kunststoffteile angreifen können.

Hinweis:

Zur Vermeidung einer elektrostatischen Aufladung reinigen Sie das Gehäuse nur mit Baumwoll- oder Papiertüchern. Wir empfehlen nachdrücklich, keine Mikrofaser- oder Polyestertücher zu verwenden!

WARNUNG!

Bei einem Kontakt mit Reinigungsmitteln oder Antihaftspray, wie beispielsweise PARA GARD, kann die Oberfläche des schwarzen Abdeckbands hinter der Objektaufnahme Schaden nehmen. Achten Sie darauf, dass das Abdeckband bei der Reinigung des Gehäuses, des Messer- oder Klingenträgers oder der Grundplatte nicht mit diesen Mitteln in Berührung kommt.

Wartung

- Vor dem Gebrauch sollten das Gerät, der Messer- oder Klingenträger und die Schnittabfallwanne mit einem im Handel erhältlichen Antihaftspray behandelt werden.

Hinweis:

Dies verringert deutlich die Haftkraft von Paraffinabfall an den einzelnen Teilen des Mikrotoms.

Jährliche Routine- Wartung

Zur Sicherstellung der Schnittqualität und Gewährleistung der korrekten Funktionsweise des Mikrotoms wird empfohlen, einmal jährlich eine Routinewartung von einem ausgebildeten Servicetechniker durchführen zu lassen.

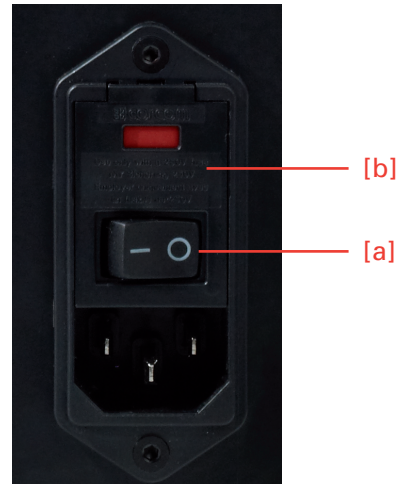
Servicevertrag

Thermo Fisher Scientific bietet einen Servicevertrag, der gewährleistet, dass sich Ihr System stets in bestem Zustand befindet. Weitere Informationen erhalten Sie bei Ihrer nächstgelegenen Thermo Fisher Scientific-Vertriebsstelle.

Hinweis:

Wir empfehlen nachdrücklich, Reparaturen nicht eigenmächtig vorzunehmen. Alle Gewährleistungen und Garantien sind in einem solchen Fall nichtig! Reparaturarbeiten dürfen nur von einem autorisierten Servicetechniker ausgeführt werden.

Austauscharbeiten



Auswechseln der Sicherungen

Die beiden Netzsicherungen befinden sich über dem Hauptschalter [a] auf der Rückseite des Mikrotoms.

- Zum Wechseln der beiden Sicherungen schalten Sie den Hauptschalter [a] des Geräts aus und ziehen das Netzkabel ab.
- Öffnen Sie dann die Abdeckung [b] mit einem flachen Schraubendreher.
- Ziehen Sie die Sicherungshalter heraus und tauschen Sie die Sicherungen gegen neue aus.
- Schieben Sie den Sicherungshalter wieder vollständig zurück und schließen Sie die Abdeckung [b].

Sicherungswerte

Für Netzspannungen von 100 – 240 V: 2 Sicherungen, T1,6AH, träge

Kapitel 6

Bedingungen für den Transport

Einsenden des Geräts zur Reparatur oder Rutinewartung

Reparatur- oder Wartungsarbeiten werden normalerweise vor Ort ausgeführt. Wenn dies aus bestimmten Gründen nicht möglich ist, kann das Gerät zu Thermo Fisher Scientific eingeschickt werden. Die Kontaktadresse finden Sie am Anfang dieser Gebrauchsanweisung.

Für die Gewährleistung eines störungsfreien Betriebs des Geräts nach dem Transport beachten Sie bitte die Anweisungen für die Transportvorbereitung.

Darüber hinaus müssen die im Technischen Datenblatt (siehe Seite 16) aufgeführten Lager- und Transportbedingungen während des gesamten Transports eingehalten werden.



BIOGEFÄHRDUNG

Bitte beachten Sie zudem die unter Sicherheitshinweise aufgeführten Vorsichtsmaßnahmen in Bezug auf eine biologische Gefährdung!

Maßnahmen zur Außer- betriebnahme

- Schalten Sie das Gerät mit dem Netzschalter aus.
- Aktivieren Sie die mechanische Handradbremse.
- Entfernen Sie das Messer oder die Klinge und bewahren Sie es/sie sicher auf.
- Entfernen Sie die Schnittabfallwanne.

Befolgen Sie für den Transport im Freien bitte folgende Maßnahmen:

- Schalten Sie das Gerät mit dem Netzschalter aus.
- Aktivieren Sie die mechanische Handradbremse.
- Entfernen Sie das Messer oder die Klinge und bewahren Sie es/sie sicher auf.
- Entfernen Sie die Schnittabfallwanne, das Bedienpult, die obere Abdeckplatte, den Messer-/Klingenträger und die Objektklammer. Diese Teile müssen separat verpackt werden.
- Verwenden Sie zum Anheben des Geräts die Griffmulden vorn und hinten an der Unterseite des Geräts.

ACHTUNG!

Tragen Sie das Gerät während des Transports nicht am Handradgriff. Es besteht Verletzungsgefahr!

Verwenden Sie zur Verpackung des Geräts die Originalverpackung, da diese das Gerät optimal während des Transports schützt.

ACHTUNG!

Das Gerät muss bei jedem Versand in der Original-Verpackung transportiert werden! Versandschäden durch eine andere als die Original-Verpackung fallen nicht unter die Herstellergarantie! Alle Reparaturen von Schäden auf Grund des Versands mit anderen Materialien werden dem Absender in Rechnung gestellt. Wir behalten uns je nach Schweregrad der Schäden das Recht vor, das Gerät NICHT zu reparieren.

Zur Bestellung der Original-Verpackungsmaterialien, wenn erforderlich, wenden Sie sich an Thermo Fisher Scientific International oder an Ihren lokalen, von Thermo Fisher Scientific autorisierten Fachhändler.

ACHTUNG!

Der Bediener muss das Gerät in sauberem und sicherem Zustand an einen geeigneten Serviceanbieter einsenden.

Hinweis:

Trifft das Gerät oder Teile des Geräts bei Thermo Fisher Scientific oder einer der Fachvertretungen von Thermo Fisher Scientific in einem Zustand ein, bei dem ein potenzielles Infektionsrisiko besteht, wird das Gerät und/oder das/die Teil(e) in unrepariertem Zustand an den Kunden zurückgeschickt. Die Kosten dafür trägt der Kunde.

Entsorgung des Geräts nach endgültiger Stilllegung

Nach endgültiger Stilllegung des Geräts empfehlen wir, sich für die Entsorgung gemäß den national gültigen Vorschriften an ein lokales Recyclingunternehmen zu wenden.

Es ist unter keinen Umständen zulässig, das Gerät mit dem Hausmüll zu entsorgen.

Bitte entsorgen Sie Ihr Gerät generell getrennt von anderen Abfällen, um nicht die Umwelt und die Gesundheit durch eine unkontrollierte Abfallbeseitigung zu gefährden.

Führen Sie Ihr Gerät dem Recyclingkreislauf zu, um eine nachhaltige Rückgewinnung von Materialressourcen zu unterstützen.

Industrielle Benutzer sollten sich an Ihre Händler wenden und die Vertragsbedingungen beachten. Dieses Produkt darf nicht zusammen mit anderem Industrieabfall entsorgt werden.

Wenden Sie sich an Ihren Händler!

Kapitel 7

Garantieerklärung und Zertifizierung

Garantie

Wir sind stolz auf unsere Qualität und Verlässlichkeit sowie auf unseren After-Sales-Service. Wir sind kontinuierlich bestrebt, unseren Service für unsere Kunden zu optimieren.

Bitte fragen Sie Ihren Händler oder Vertreter nach Serviceverträgen, durch die Ihr Mikrotom über viele Jahre in einem einwandfreien Zustand gehalten wird.

Die Garantiebedingungen variieren unter Umständen, um die unterschiedlichen Vorschriften der nationalen und regionalen Gesetzgebungen zu erfüllen. Nähere Einzelheiten finden Sie in Ihren Lieferdokumenten oder Sie wenden sich für weitere Informationen an Ihren Händler oder Vertreter.

Bitte beachten Sie, dass Ihre Garantie nichtig werden kann, wenn:

- Das Gerät auf irgendeine Weise modifiziert wird.
- Zubehör verwendet wird, das nicht von Thermo Scientific genehmigt wurde, oder:
- Wenn das Gerät nicht in Übereinstimmung mit den Anweisungen in dieser Gebrauchsanweisung betrieben oder gewartet wird.

Zertifizierung

Das ausgewiesene Produkt trägt ein CE-Kennzeichen und erfüllt die vorgeschriebenen Richtlinien:

RICHTLINIE 98/79/EG DES EUROPÄISCHEN PARLAMENTS UND DES RATES vom 27. Oktober 1998 über In-vitro-Diagnostika

Das ausgewiesene Produkt erfüllt die EG-Richtlinien durch die strengste Einhaltung der folgenden Normen:

DIN EN ISO 9001
Qualitätsmanagementsysteme – Anforderungen

DIN EN ISO 13485
Qualitätsmanagementsysteme – Medizinprodukte

DIN EN ISO 14971
Medizinprodukte – Anwendung des Risikomanagements auf Medizinprodukte

DIN EN 61010-1
Sicherheitsbestimmungen für elektrische Mess-, Steuer-, Regel- und
Laborgeräte
Teil 1: Allgemeine Anforderungen

DIN EN 61010-2-101
Sicherheitsbestimmungen für elektrische Mess-, Steuer-, Regel- und
Laborgeräte
Teil 2-101: Besondere Anforderungen an In-vitro-Diagnostik (IVD)-
Medizingeräte

DIN EN 61326-1
Elektrische Mess-, Steuer-, Regel- und Laborgeräte – EMV-Anforderungen
Teil 1: Allgemeine Anforderungen

DIN EN 61326-2-6
Elektrische Mess-, Steuer-, Regel- und Laborgeräte – EMV-Anforderungen
Teil 2-6: Besondere Anforderungen – Medizinische In-vitro-Diagnose-
geräte (IVD)

Anatomical Pathology

Otto-Hahn-Strasse 1a
69190 Walldorf
GERMANY
+ 49 (0) 6227-8360

4481 Campus Drive
Kalamazoo, MI 49008
USA
+ 1 (800) 522-7270

www.thermofisher.com