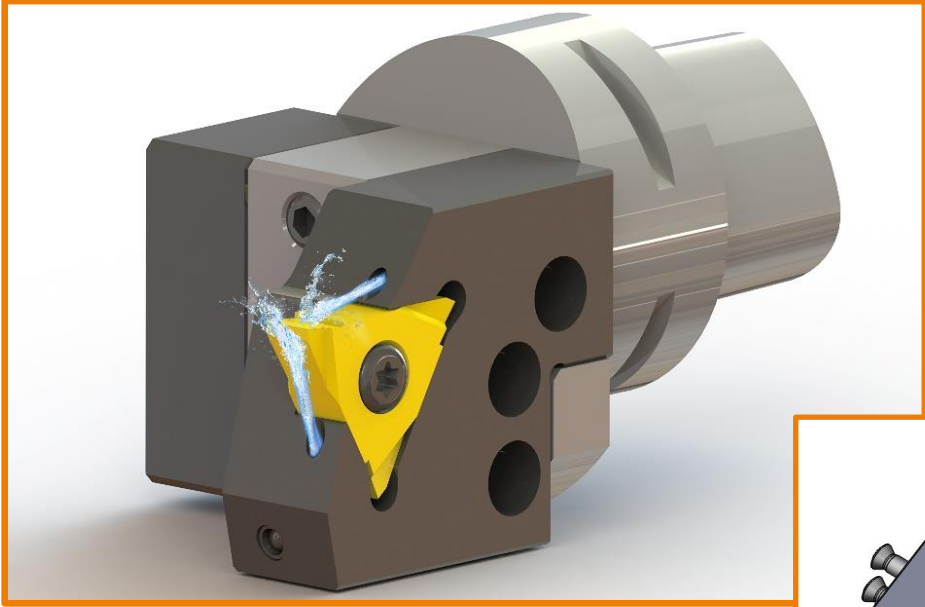
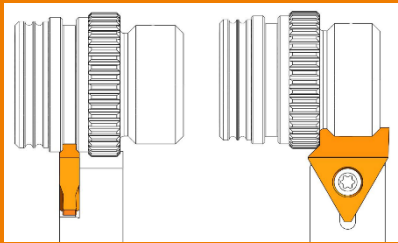


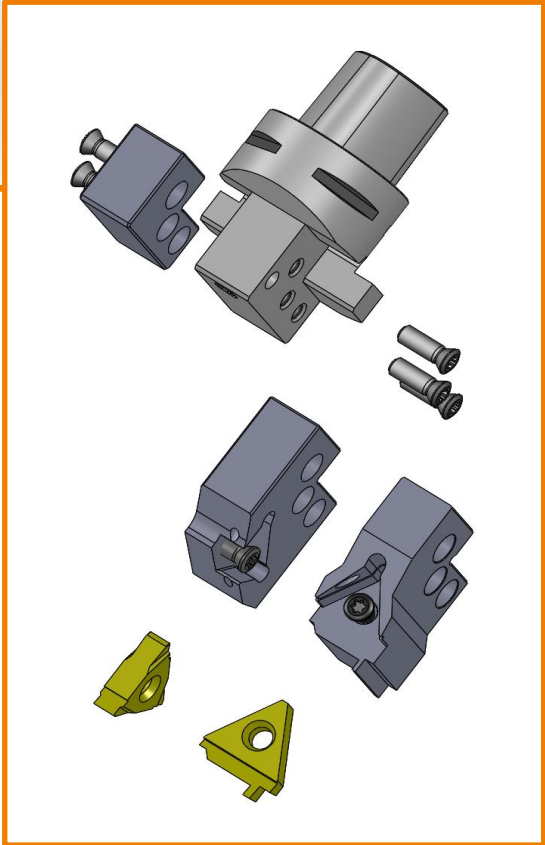
# System MSIK

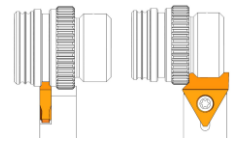
Modular tools with internal cooling  
for external and axial grooving



**INTERNAL COOLING DIRECTLY  
AT THE CUTTING EDGE**

**HIGHEST FLEXIBILITY THROUGH  
EXCHANGEABLE TOOL HOLDER  
CASSETTE**





## THE SCHWANOG MSIK MODULARE TOOLING SYSTEM WITH INTERNAL COOLING

With our modular MSIK system we have developed an innovative solution.

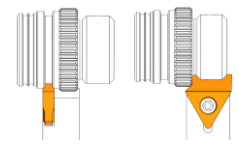
### Explanation of the system:

On the base body, which is designed for the machines interface, different standardized cartridges for grooving can be used.

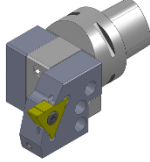
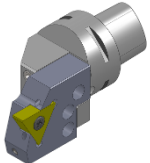
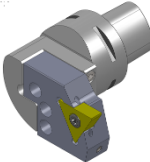
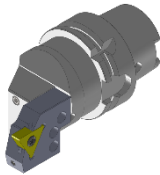
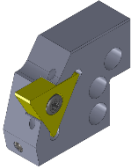
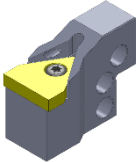
The interface to the cartridges is bolted to the side of the base body ensuring a stable and secure connection. Cartridges are available for the insertable WEP and PWP tooling systems, which are ground according to customers' drawings.

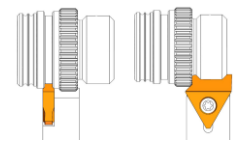
With the MSIK modular system, the coolant is supplied internally and directly to the cutting edge through the base body and cartridge, eliminating the need of external coolant lines.

MSIK modular tooling system with internal cooling	System Highlights
	<p><b>Interface - Base Body:</b></p> <ul style="list-style-type: none"> <li>▪ Polygonal Capto ISO 26623 interface in sizes C3, C4, C5, C6 Available w. and w/o serration (w/o serration shorter OAL)</li> <li>▪ HSK-T63 (Turning standard) ISO12164 Available w. and w/o serration (w/o serration shorter OAL)</li> <li>▪ TS system ISO 26622 TS40,50,63</li> </ul> <p><b>Base body available in r.-h and l.-h. versions, as well as a combination w. 2 cartridge seats:</b></p> <ul style="list-style-type: none"> <li>▪ R.-h. and l.-h. cartridges for insertable WEP and PWP tooling systems</li> <li>▪ Internal coolant supply directly to the cutting edge through base body and cartridge</li> <li>▪ Special designs: Customer-specific special designs on request</li> </ul>



**OVERVIEW**

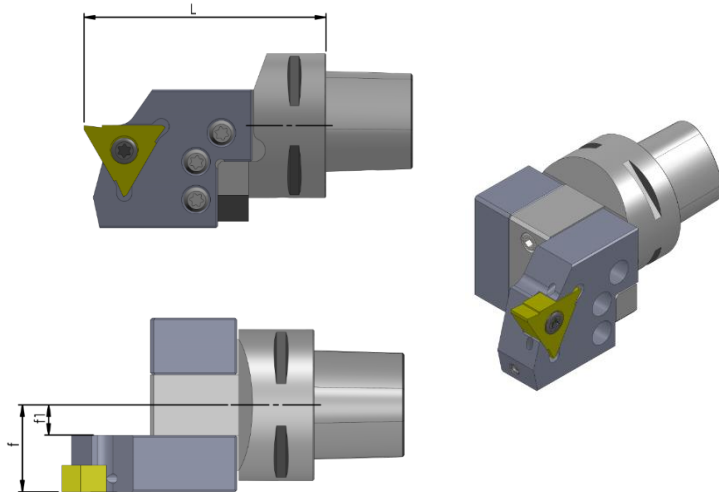
<p><b>Polygon shank ISO 26623</b></p> <ul style="list-style-type: none"> <li>- Combination tool holder with 2 cassette seats</li> <li>- Right and left tool holder cassettes, clampable</li> </ul>		<p><b>Page 4</b></p>
<p><b>Polygon shank ISO 26623</b></p> <ul style="list-style-type: none"> <li>- right or left version</li> </ul>		<p><b>Page 5</b></p>
<p><b>Polygon shank ISO 26623</b></p> <ul style="list-style-type: none"> <li>- right or left version</li> <li>- 90° offset</li> </ul>		<p><b>Page 6</b></p>
<p><b>HSK-C63 / HSK-T63</b></p> <ul style="list-style-type: none"> <li>- right or left version</li> </ul>		<p><b>Page 7</b></p>
<p><b>WEP system tool holder cassette</b></p>		<p><b>Page 8</b></p>
<p><b>PWP system tool holder cassette</b></p>		<p><b>Page 9</b></p>



**Base body with polygon shank according to ISO 26623  
(with or without gripper groove)**

- Combination holder with 2 tool holder cassette seats (right and left)
- WEP and PWP exchangeable insert system for tool holder cassettes

**With internal coolant feed**



Tool holder cassette cover 316826 right/left screwable

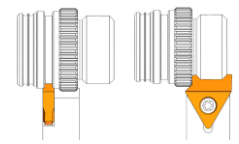
- Illustration with gripper groove, equipped with tool holder cassette type WEP, right, (tool holder cassette not included in the delivery of the basic body)
- Tool holder cassette length identical for all plate versions
- Dimension f depends on the tool holder cassette used (tool holder cassette width b see pages 8 - 9)

Item number	Shank size	with gripper groove	without gripper groove	L including tool holder cassette	f1	f
316815	C3	•		63	8	f1 + b
321356	C3		•	53	8	f1 + b
316814	C4	•		67	8	f1 + b
317677	C4		•	57	8	f1 + b
321696	C5	•		67	13	f1 + b
321697	C5		•	57	13	f1 + b
321698	C6	•		69	18	f1 + b
321699	C6		•	59	18	f1 + b

Special dimensions on request

**Replacement parts**

Cover Cassette	Tensioning screw	Grub screw
316826	154495	250547

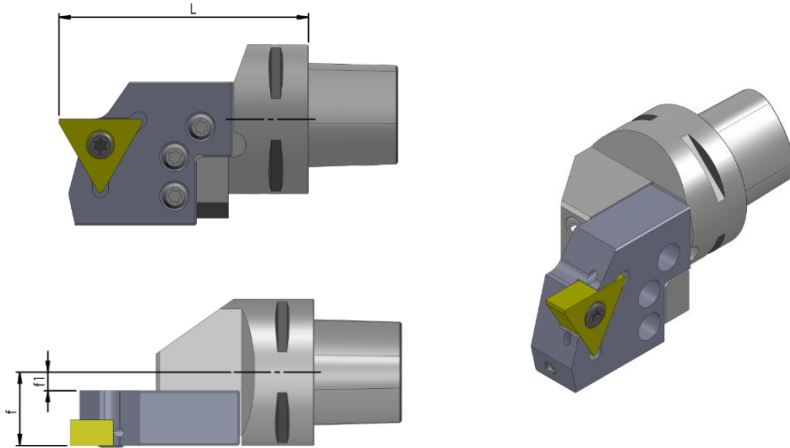


## Base body with polygon shank according to ISO 26623

### (with or without gripper groove)

- Right or left version with 1 tool holder cassette seat
- WEP and PWP insert systems for tool holder cassettes

### With internal coolant feed



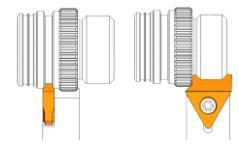
- Illustration of right version with gripper groove, equipped with right WEP type tool holder cassette (tool holder cassette not supplied with the basic body)
- Tool holder cassette length identical for all insert versions
- Dimension f depends on the tool holder cassette used (for tool holder cassette width b, see pages 8 - 9)

Item number	Shank size	Right	Left	mit Greiferrille	ohne Greiferrille	L including tool holder cassette	f1	f
321700	C3	•		•		63	5	f1 + b
321701	C3	•			•	53	5	f1 + b
321702	C3		•	•		63	5	f1 + b
321703	C3		•		•	53	5	f1 + b
321704	C4	•		•		67	5	f1 + b
321705	C4	•			•	57	5	f1 + b
321706	C4		•	•		67	5	f1 + b
321707	C4		•		•	57	5	f1 + b
321708	C5	•		•		67	10	f1 + b
321709	C5	•			•	57	10	f1 + b
321710	C5		•	•		67	10	f1 + b
321711	C5		•		•	57	10	f1 + b
321712	C6	•		•		69	15	f1 + b
321713	C6	•			•	59	15	f1 + b
321714	C6		•	•		69	15	f1 + b
321715	C6		•		•	59	15	f1 + b

Special dimensions on request

### Replacement parts

Tensioning screw	Grub screw
154495	250547

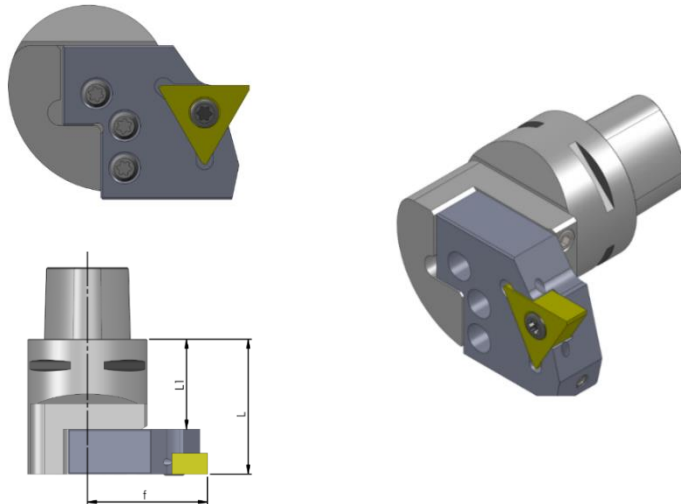


## Base body with polygon shank according to ISO 26623

### (with or without gripper groove)

- 90° cranked, right or left version with 1 tool holder cassette seat
- WEP and PWP exchangeable insert systems for tool holder cassettes

### With internal coolant feed



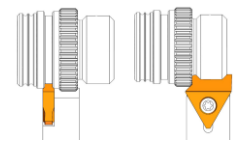
- Illustration right version with gripper groove, equipped with WEP type left tool holder cassette (tool holder cassette not supplied with the basic body)
- Tool holder cassette length identical for all insert versions
- Dimension L depends on the tool holder cassette used (for tool holder cassette width b, see pages 8 and 9)

Item number	Shank size	Right	Left	with gripper groove	Without gripper groove	L1	L including tool holder cassette	f
321716	C3	•		•		30	L1 +b	40
321717	C3	•			•	20	L1 +b	40
321718	C3		•	•		30	L1 +b	40
321719	C3		•		•	20	L1 +b	40
321720	C4	•		•		30	L1 +b	40
321721	C4	•			•	20	L1 +b	40
321722	C4		•	•		30	L1 +b	40
321723	C4		•		•	20	L1 +b	40
321724	C5	•		•		35	L1 +b	40
321725	C5	•			•	25	L1 +b	40
321726	C5		•	•		35	L1 +b	40
321727	C5		•		•	25	L1 +b	40
321728	C6	•		•		37	L1 +b	40
321729	C6	•			•	27	L1 +b	40
321730	C6		•	•		37	L1 +b	40
321731	C6		•		•	27	L1 +b	40

Special dimensions on request

### Replacement parts

Tensioning screw	Grub screw
154495	250547



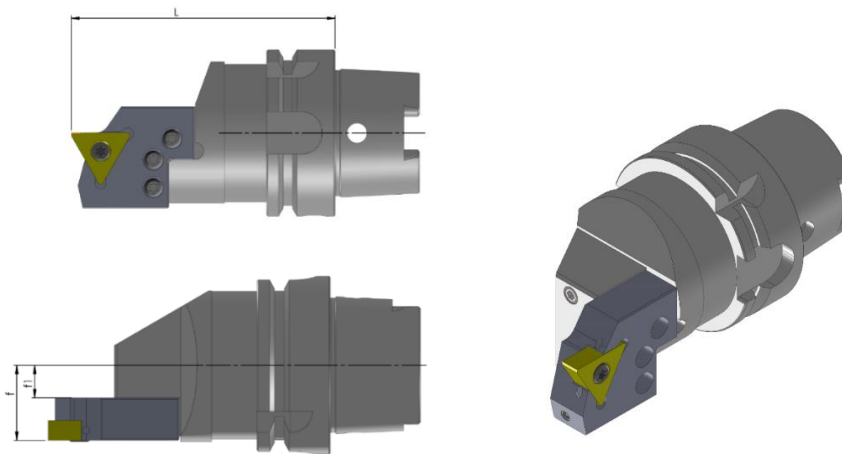
**Basic body with HSKT shank according to ISO 12164**

**Turning standard with reduced groove tolerance**

**(with or without gripper groove)**

- Right or left version with 1 tool holder cassette seat
- WEP and PWP exchangeable insert systems for tool holder cassettes

**With internal coolant feed**



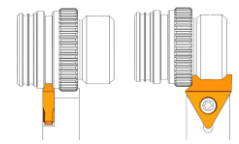
- Illustration with gripper groove, equipped with right WEP type tool holder cassette (tool holder cassette not included in the delivery of the basic body)
- Dimension f depends on the cassette used (cassette width b see pages 8 - 9)

Item number	Shank size	Right	Left	with gripper groove	Without gripper groove	L including tool holder cassette	f1	f
321907	HSKT-63	•		•		100	11,5	f1 + b
321908	HSK-C63	•			•	57	11,5	f1 + b
321909	HSKT-63		•	•		100	11,5	f1 + b
321910	HSK-C63		•		•	57	11,5	f1 + b

Special dimensions on request

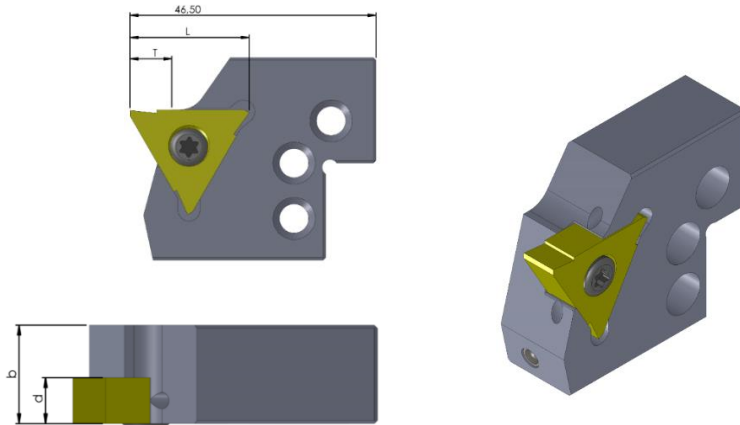
**Replacement parts**

Tensioning screw	Grub screw
154495	250547



### WEP system tool holder cassette

- With internal coolant supply from above and below directly to the cutting edge
- For WEP type exchangeable inserts

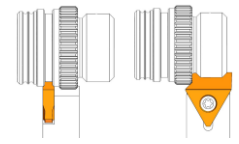


- Right version as shown, left version mirror imaged
- TYPE MSIK is suitable for all basic mountings

Item number	WEP-Size			Right	Left	b
	L	d	T			
321911	12,1	3,5	3	•		15
321912	12,1	3,5	3		•	15
321913	14,4	4	3,7	•		15
321914	14,4	4	3,7		•	15
321915	14,4	7	3,7	•		15
321916	14,4	7	3,7		•	15
321917	19,05	3 - 4	5	•		15
321918	19,05	3 - 4	5		•	15
321919	19,05	5	5	•		15
321920	19,05	5	5		•	15
321921	19,05	7	5	•		15
321922	19,05	7	5		•	15
321923	23,6	3 - 4	6,3	•		15
321924	23,6	3 - 4	6,3		•	15
321921	23,6	5	6,3	•		15
316824	23,6	5	6,3		•	15
316820	23,6	7	6,3	•		15
316823	23,6	7	6,3		•	15
316822	23,6	10	6,3	•		18
316825	23,6	10	6,3		•	18
321925	23,6	12	6,3	•		20
321926	23,6	12	6,3		•	20
321927	23,6	4	8,3	•		15
321928	30,6	4	8,3		•	15
321929	30,6	8	8,3	•		18
321930	30,6	8	8,3		•	18

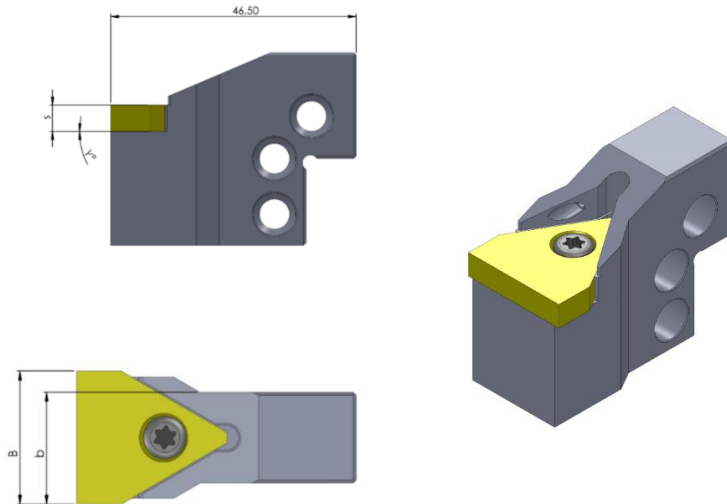
Special dimensions on request





## PWP system tool holder cassette

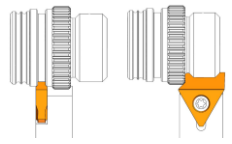
- With internal coolant supply directly to the cutting edge
- For PWP type exchangeable inserts



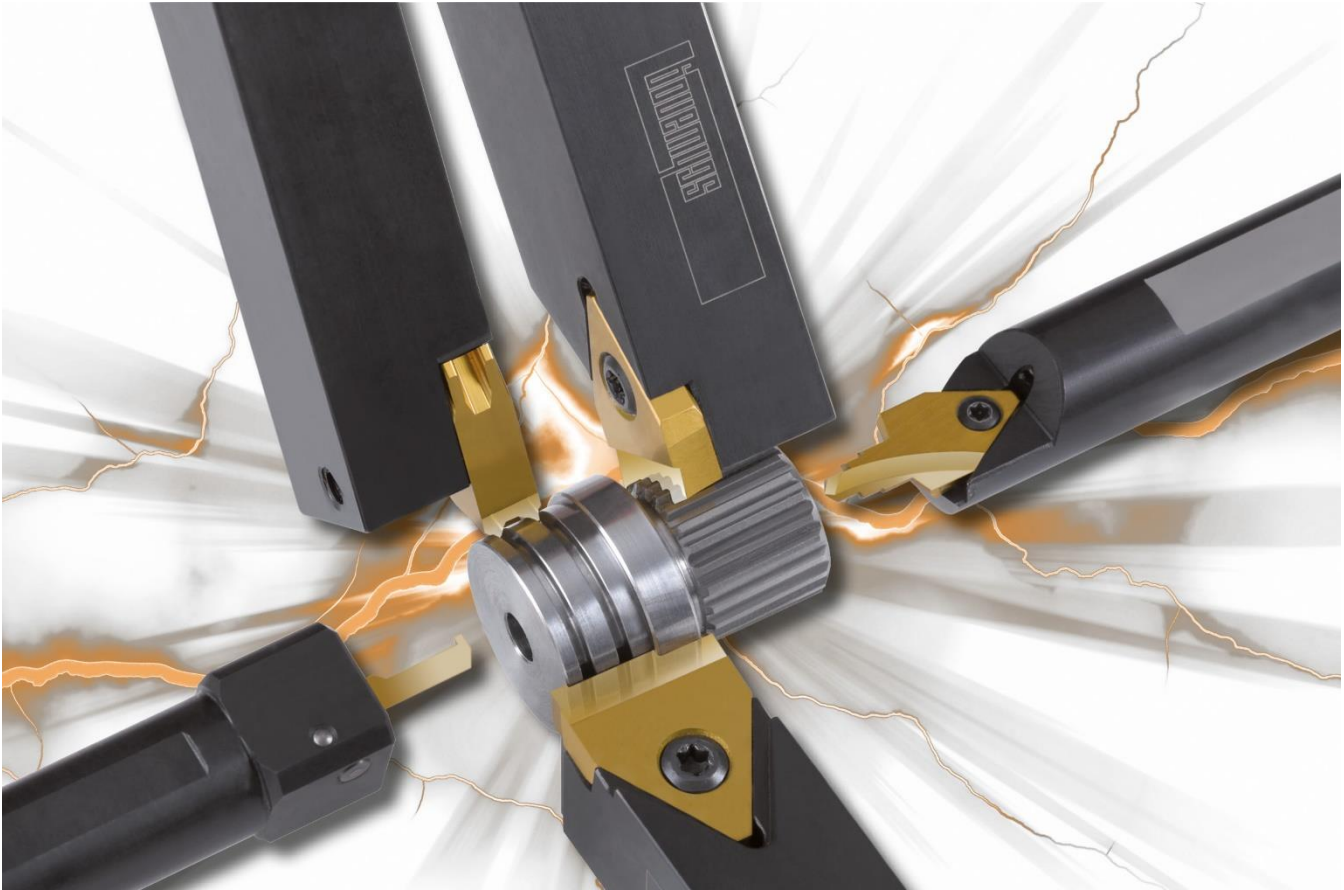
- Right version as shown, left version mirror imaged
- TYPE MSIK is suitable for all basic mountings

Item number	PWP Size		y	Right	Left	b
	B	s				
321931	9 - 13	3	0°	●		7,5 + B/2
321932	9 - 13	3	0°		●	7,5 + B/2
321933	9 - 13	3	8°	●		7,5 + B/2
321934	9 - 13	3	8°		●	7,5 + B/2
316816	13 - 25	5	0°	●		7,5 + B/2
316818	13 - 25	5	0°		●	7,5 + B/2
316817	13 - 25	5	8°	●		7,5 + B/2
316819	13 - 25	5	8°		●	7,5 + B/2

Special dimensions on request



## SCHWANOG - REDUCING COSTS IS OUR JOB!



**Our team would be happy to assist you, just give us a call or email us your part drawing!**

Schwanog  
Siegfried Güntert GmbH  
Niedereschacher Str. 36  
78052 Villingen-Schwenningen  
Tel. +49 (0) 77 21 / 94 89-0  
Email: [info@schwanog.com](mailto:info@schwanog.com)  
[www.schwanog.com](http://www.schwanog.com)

