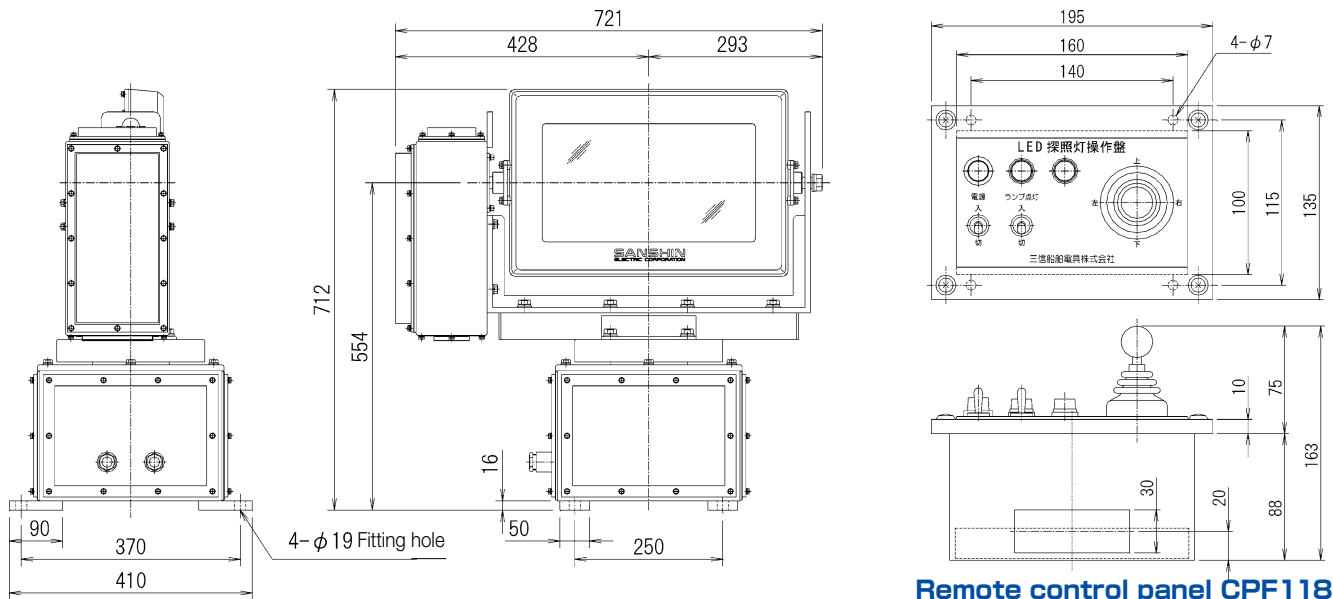


REMOTE CONTROL TYPE LED SEARCHLIGHT

TYPE : EL160

- Realize the optical axis intensity of light of the incandescent searchlight 1000W equivalency
- Available cabin control and manual control type on request.

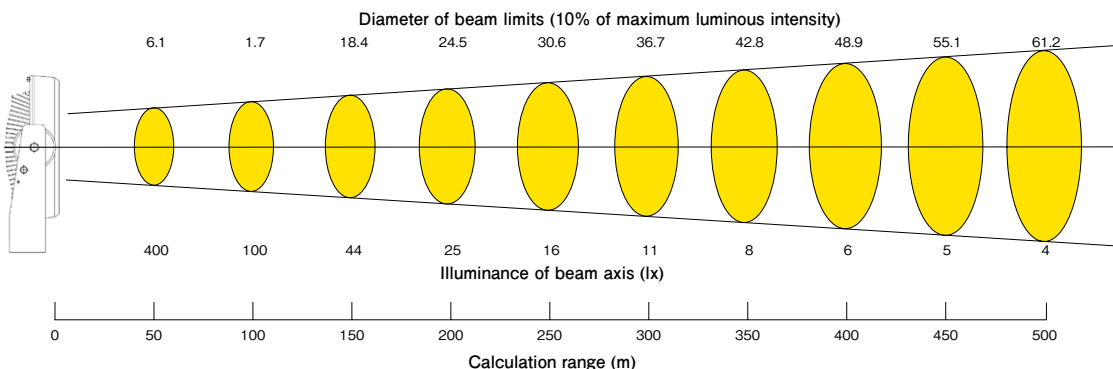
Operation method	Remote Control
Input voltage	100V~220V±10% 1φ 50/60Hz
Power Consumption	160W
Power factor	99%(100V) / 98%(220V)
Input voltage (Controller)	100V
Power Consumption (Controller)	Approx. 200VA
Max. luminous intensity	1,000,000cd
Beam spread	Approx. 7°
Elevation angle	Down 30° / Up 30°
Turning angle	Right & Left each 170°
Elevation speed	3°/sec. (60Hz)
Turning speed	11.5°/sec. (60Hz)



Remote control panel CPF118

Characteristic Beam Range

- Lamp type : 160W LED
- Max. luminous intensity : 1,000,000 cd
- Beam spread : 7° (10% of peak beam candlepower)
- Atmospheric transmission factor : 100%



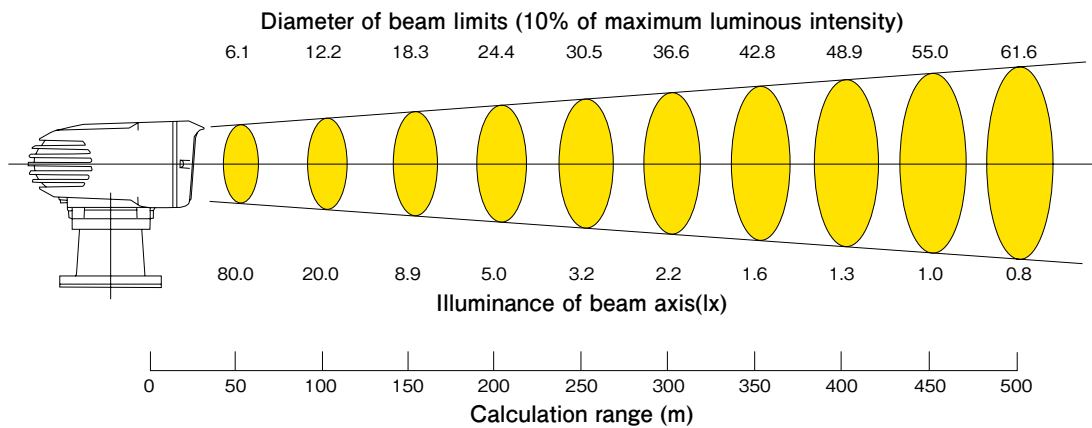
REMOTE CONTROLLED LED SEARCH LIGHT

TYPE:HRL-2070U/G

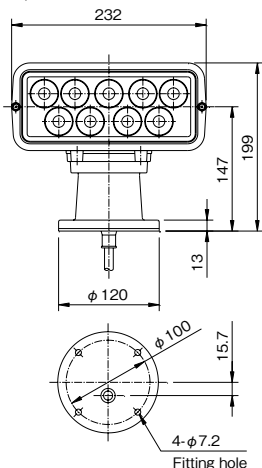
- This is LED type search light which is same brightness with halogen lamp type of HR-1012.
- There is no worry nothing running out of a bulb by the vibration by adoption of the LED. Life time is 40,000h, Power consumption is 1/3
- Search light can be used for both voltage DC12V and DC24V.
- All of specifications, material are same with conventional searchlight HR-1012 except lamp source of LED.
- Easy replacement from halogen search light to LED search light when it will be purchasing LED unit only.
- You can choose the operation method from electric remote control type (CPF53) or wireless control type.
(Available 2-station control by a sub remote control panel (Option))



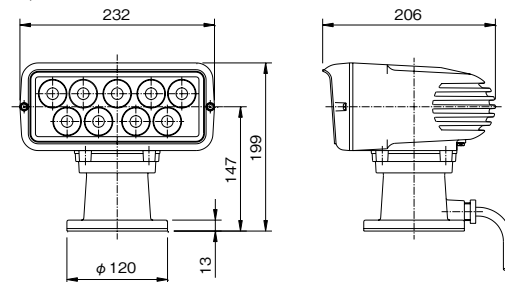
Material	Aluminum alloy die casting
Input voltage	DC12V / DC24V
Input power	Approx. 3.0A (12V) / 1.6A (24V)
Max. luminous intensity	200,000 cd
Beam spread	Approx.. 7°
Operation method	Electric remote control or Wireless remote control
Remote control panel	CPF53 (Main) / CPF54 (Sub)
Elevation angle	Up 9° Down 17°
Turning angle	360° (endless)
Elevation speed	Approx. 2.8°/ sec
Turning speed	High 30°/ sec. Low 20°/ sec.
Color	Munsell N9.5 (White)
Weight	Approx. 4.2kg
IP Rated	IP56
Code	U Type 11511U / G Type 11511G



◆HRL-2070U



◆HRL-2070G



LED SEARCH-ROBO

- In addition to the conventional light source (Xenon / Metal halide / Halogen) , we developed LED type.
- We adopted module type, it became stronger against vibration than conventional light source type.
- Energy saving approx.. 1/6 (40W) compare than halogen lamp. Max. illuminous intensity is more than halogen lamp 300W . (Max. illuminous intensity 250.000cd)
- Life time is long. (Approx..40,000h)

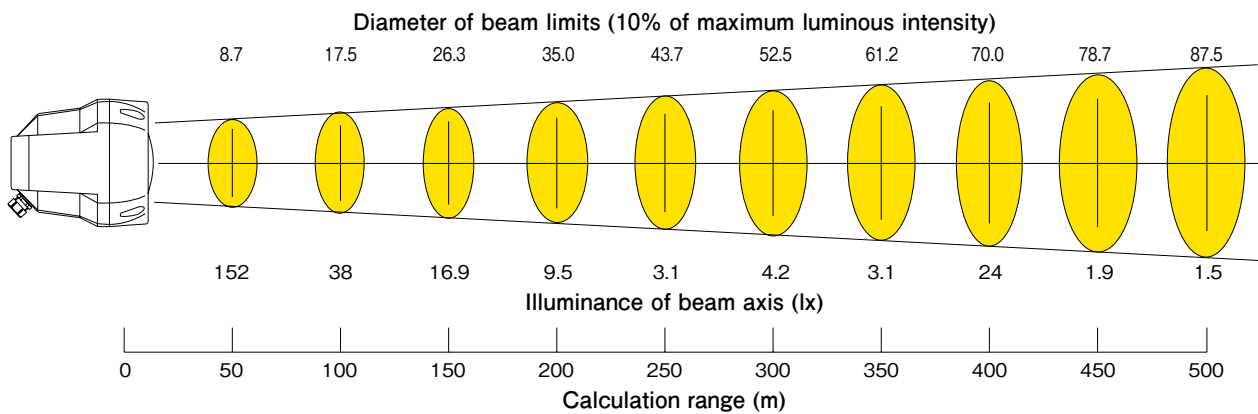
Remote control type (RGL40E)



Manual control type (RGL40D)



Cabin control type (RGL40C)



Model		RGL40E	RGL40D	RGL40C
Elevation angle	Down	45°	45°(Without stopper)	30°
	Up	15°	45°(Without stopper)	30°
Input Voltage		DC24V	DC24V	DC24V
Turning angle		Left and right 170°	Left and right 30°	Left and right 180°(without stopper)
Elevation speed		Approx.3.8°/sec.	—	—
Turning speed		Approx. 20°/sec.	—	—
Focus adjustment		Fixed	Fixed	Fixed
Protection degree		IP56	IP56	IP56
Color		Mumsell N-9.5(White)	Mumsell N-9.5(White)	Mumsell N-9.5(White)
Remote control panel		CPF195	—	—
Weight		13.0kg	7.5kg	14.1kg
Code(DC24V)		1170E	1170C	1170D