



Salamander Designs Surface Hub Mounting Solutions

Fully authorized and certified by Microsoft, Salamander Designs delivers exclusive FPS Stands for Surface Hub. Offering fixed and adjustable heights, storage for all AV components/wiring, these are the only Electric Stands built to integrate seamlessly with Surface Hub, while offering a mobile, ADA-compliant solution. Available in both fixed and adjustable heights, our precision ergonomics allow for optimal productivity, flexibility and collaboration.

Electric Lift, Mobile Carts



- Provide accessible, comfortable and ergonomically correct touchscreen positioning that enhances the user experience and improves productivity. Range of travel, Center of screen: Min – 33.33" (847 mm) and Max 58.92" (1497 mm)
- Durable construction. Made in USA of powder coated steel, Linak Motor components, Powder coated and/or veneered MDF panels
- Limited Lifetime Warranty

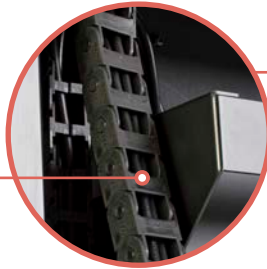
Large Handles and a wide stance provide superior stability and maneuverability



Fully Adjustable Motor Control improves user experience and productivity for any size user for any work assignment



Wire Management allows for clean and uncluttered installation



High Performance Locking Casters provide smooth transport over any surface



*ADA COMPLIANT

Wide base stance allows convenient accessibility

Accessories include a retractable cable reel, storage compartment for rack mounted gear, rear attaching shelf for laptops and keyboards, a storage compartment cover, and even road cases for the Stand and display attached.

Compact, Telescoping Design minimizes storage and transport requirements



Electric Lift, Mobile Carts



Electric Lift, Mobile Cart for
50" Surface Hub 2S & 3

White - FPS2/EL/MS/VW	Resale	List
Gray - FPS2/EL/MS/GG	\$2437	\$3249

Fixed Height, Mobile Carts



Fixed Height, Mobile Cart for
50" Surface Hub 2S & 3

Gray - FPS1/FH/MS/GG	Resale	List
	\$1500	\$1999

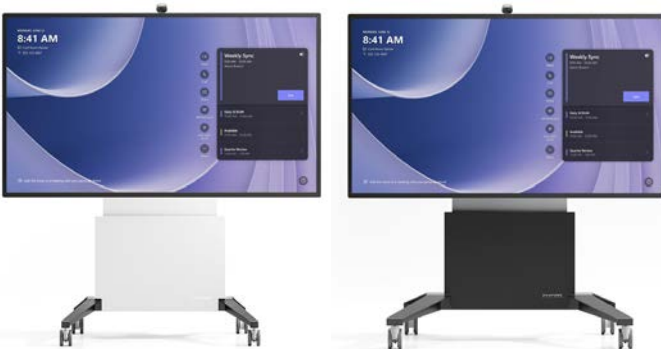
50"



Electric Lift & Tilt, Mobile Cart for
50" Surface Hub 2S & 3

White - FPS2/ELT/MS/VW	Resale	List
Gray - FPS2/ELT/MS/GG	\$2910	\$3879

50"



XL Electric Lift, Mobile Cart for
85" Surface Hub 2S & 3

White - FPS1XL/EL/MS/VW	Resale	List
Gray - FPS1XL/EL/MS/GG	\$2850	\$3799

85"



XL Fixed Height, Mobile Cart for
85" Surface Hub 2S & 3

Gray - FPS1XL/FH/MS/GG	Resale	List
	\$1800	\$2399

Fixed Height, Mobile Carts



- Superior mobility. High quality commercial grade locking casters and integrated handles provide easy maneuverability and transport
- Fully concealed cable management allows clean, secure and uncluttered installation
- Internal storage for rack mounted (2RU) electronic components, peripherals and accessories
- Options available for peripheral equipment mounting, retractable cable reel, keyboard tray and more
- Limited Lifetime Warranty
- Center of screen: Min – 48.28" (1226 mm) and Max 58.28 (1480 mm)



Adjustable Height Position
set during assembly

Large Handles
provide superior stability and maneuverability

Secure Rear Panels
allow for easy access to concealed storage with strap mounted peripherals

2RU Vertical Rack
with interior cable management

Premium Casters
provide smooth transport over any surface

Vents allows for airflow of peripherals

External Storage
Cubby on front or rear (depending on model)

Accessories include a retractable cable reel, rear attaching shelf for laptops and keyboards, speaker mount and camera shelf



Salamander and Schneider Electric for a Complete Mobile Solution Hub 2S & 3 Solution.



Electric Lift Mobile Stand



Fixed Height Mobile Stand

Now you can deploy a truly wireless, mobile meeting experience with this fully integrated Surface Hub with APC™ Smart-UPS™ battery system by Schneider Electric™ and Salamander Designs, FPS Electric Lift and Fixed Height Stands.

This all-in-one solution ensures the APC Smart-UPS Charge, a lithium-ion battery system, stays secure as you move the Surface Hub around and make any space a teamwork space. The battery (sold separately) allows mobility for over 100 minutes, so that you stay connected and never lose the creative momentum. The Salamander cover is constructed with the finest quality, laser cut steel and includes a durable steel locking mechanism to ensure long-lasting, secure battery storage.



*Battery not included



Life Is On | **Schneider Electric**

APC Smart-UPS Charge Mobile Battery for Surface Hub

Lithium-ion battery system designed to power Microsoft Surface Hub 2 on-the-go for over 100 minutes, so you stay connected regardless of the location.

Part# CSH2

*Only Compatible with Surface Hub 50"

Contact Schneider Electric for pricing.

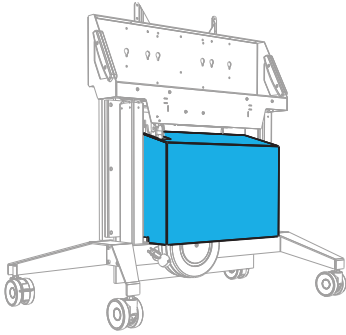
- Secures APC™ Mobile Battery to Salamander Designs FPS Electric Lift and Fixed Height Stands
- Enables additional component storage below battery thanks to a slim design
- Ensures long-lasting durability with premium, laser cut steel construction
- Charge battery and operate stand with minimal effort by adding our standard cable reel accessory
- Product Dimensions 16.2" W (411 mm) x 24.16" H (614mm) x 3.76" D (95mm)
- Enjoy total peace of mind with our Lifetime Limited Warranty
- Not compatible with the following accessories; Keyboard Shelf, 3U or 5U Racks or Storage Covers

Battery Storage Case for Surface Hub

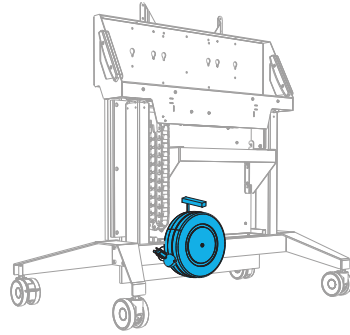
FPSA/MSB	Resale	List
	\$249	\$349

Mobile Cart Accessories

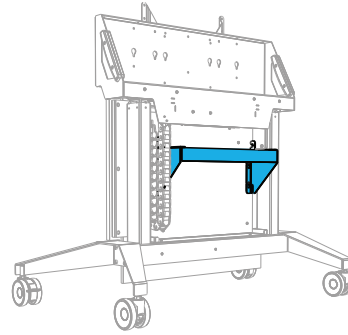
*Compatible with Electric Lift Carts only.



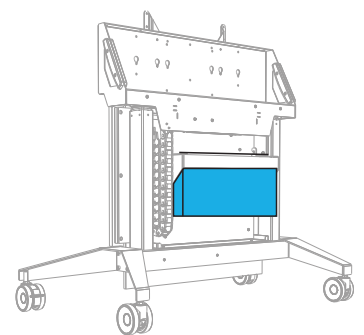
***Equipment Storage
Cover – Graphite**
FPSA/SC/GT



Cable Reel 30' Payout, 24" Tri-Tap Female End
FPSA/CR

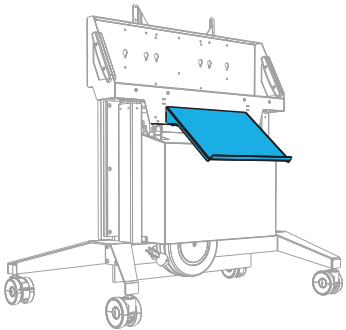


***19" Rack Mounting 3 RU**
RM/VR/3U

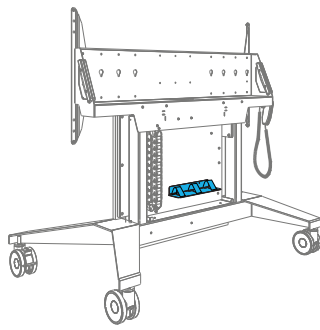


Power Distribution Unit
SA/RM/PDU

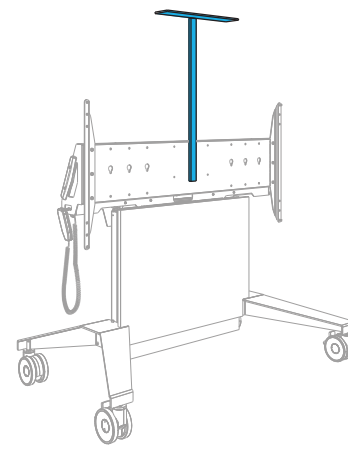
Retractable CAT6 Cable Reel
FPSA/CR/CAT6



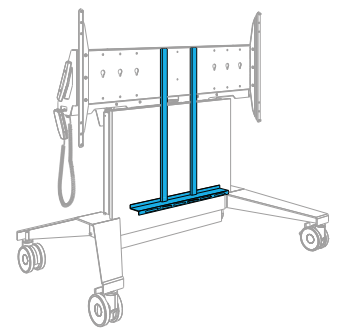
**Keyboard Storage
Shelf – Graphite**
FPSA/KS/GT



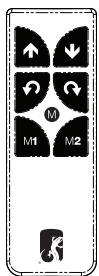
***Accessory Shelf
with Straps**
FPSA/AS1



Camera Mount Shelf
FPSA/CS



Speaker Bracket Kit
FPSA/SBK



***Wireless RF Remote
Control with Memory**
FPSA/RF1



Surface Hub 85" Mounting Adapter Kit
CA/MAC5

- Mount the SH 85" to any VESA compliant wall mount or stand using the universal spacer kit. Call for details.
- Included with all Salamander FPS X-Large Carts and Stands.



ROAD CASE

FOR EASY DEPLOYMENT

Combine a mobile stand with a road case to provide secure and convenient transport of your display.

Accommodates Stand & Display

FPSA/RC/EL

Strut 170, Fixed Height Wall Stands



The Strut Wall Stand is a sleek, streamlined solution for supporting AV/IT technology. Featuring ultra-low-impact installation with no wall construction or down time, the modular design supports video displays while securely concealing small electronics, computers and cables. Ultra-simple installation allows the Strut 170 Wall Stand to be affixed to any wall without special preparation and is ideal for every application from entryway and retail digital signage, to training, video conferencing and beyond.

- Adjustable Center Line of Screen: 54-68"

			Resale	List
<p>Strut Wall Stand for 50" SH</p> <p>White Black Oak</p>	STR170/MS50/FH1/BO/BK - Black Oak		\$1900	\$3169
	STR170/MS50/FH1/WG/BK - Wenge		\$1900	\$3169
	STR170/MS50/FH1/NO/BK - Natural Oak		\$1900	\$3169
	STR170/MS50/FH1/AC/BK - American Cherry		\$1900	\$3169
	STR170/MS50/FH1/MW/BK - Medium Walnut		\$1900	\$3169
	STR170/MS50/FH1/GW/BK - Gray Walnut		\$1900	\$3169
	STR170/MS50/FH1/WH/BK - White		\$1900	\$3169
	<p>Strut Wall Stand for 85" SH</p> <p>White</p>	STR170/MS85/FH1/BO/BK - Black Oak		\$1900
STR170/MS85/FH1/WG/BK - Wenge			\$1900	\$3169
STR170/MS85/FH1/NO/BK - Natural Oak			\$1900	\$3169
STR170/MS85/FH1/AC/BK - American Cherry			\$1900	\$3169
STR170/MS85/FH1/MW/BK - Medium Walnut			\$1900	\$3169
STR170/MS85/FH1/GW/BK - Gray Walnut			\$1900	\$3169
STR170/MS85/FH1/WH/BK - White			\$1900	\$3169

Wall Stands & Mounts



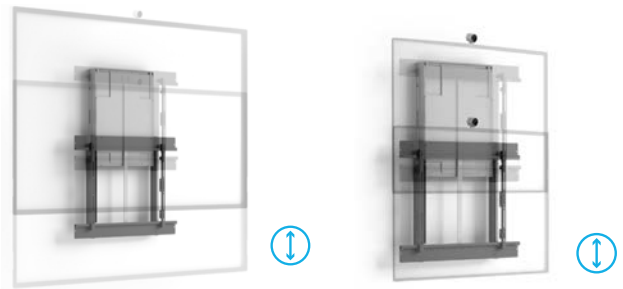
Electric Lift Wall Stand

- Motorized electric lift with wired remote
- Range of travel, Center of screen: Min – 34.01" (863.8 mm) and Max 59.6" (1513.8 mm)
- Interior equipment mounting area for electronic components, peripherals and accessories

EZ-Touch, Manual Lift, Wall Mount

Take control of creative, presentation and collaboration work spaces. Salamander's simple and highly functional EZ-Touch wall mounts offer superior ergonomics complimenting any touch screen display with improved productivity, unrivaled flexibility and lifetime value.

- Range is 16"



Electric Lift Wall Stand for 50" Surface Hub S2 & 3

	Resale	List
White - FPS2W/EL/MS/VW	\$2122	\$2829
Gray - FPS2W/EL/MS/GG		

EZ-Touch Wall Mount

	Resale	List
EZ1/MS85/ML209 for 85" SH2 & 3	\$925	\$1235
EZ1/MS50/ML095 for 50" SH2 & 3	\$848	\$1129

ADA Rail System One

ADA compliant detectable barrier that solves protrusion issues caused by wall mounted video displays. Modular system designed for displays 55-86" with durable, long lasting, brushed stainless steel finish. Easy to install to wall, no floor drilling required.

ADA Raul System One

	Resale	List
AR1/48/SS for 50" SH2 & 3	\$434	\$699
AR1/72/SS for 85" SH2 & 3	\$473	\$789

