



## ELECTRIC LIFT & TILT MOBILE STAND

Designed for Microsoft Surface Hub 2S 50"

FPS2/ELT/MS/GG



Take control of creative, presentation and collaboration work spaces.

Salamander's beautiful and highly functional FPS Series Mobile Stands offer superior ergonomics complimenting any touch screen display with improved productivity, unrivaled flexibility and lifetime value.

Get perspective with table mode, then use the electric lift to quickly focus on work in drafting mode then collaborate with presentation mode.

A stylish, sleek and compact design moves easily between spaces. A thoughtful range of accessories provides even more utility and an improved user experience.

- Mobile stand for interactive display / touchscreen panel
- Compatible with most large displays including 70" Screens and Microsoft Surface Hub 2S, see VESA pattern and weight limits.
- Motorized electric lift and tilt and wired remote with independent lift/tilt control
- *Note: Some display panels are not designed for horizontal or drafting positions. Check display manufacturer for details.*
- Ergonomic design. Adjustable height and tilt positioning provides best possible ergonomics and viewing.
- Range of travel, Center of screen: Min - 33.33" (847 mm) and Max 58.92" (1497 mm)
- Superior mobility. High quality, commercial grade locking casters and integrated handles provide easy maneuverability and transport
- Fully concealed cable management allows clean and uncluttered installation
- Storage for electronic components, peripherals and accessories.
- Telescopic design allows compact position for transport and storage
- Durable construction. Made in USA of powder coated steel, Linak Motor components, Powder coated and/or veneered MDF panels
- Options available for peripheral equipment mounting, retractable cable reel, secure equipment storage cover, keyboard tray and more.
- Limited Lifetime Warranty



© 2020 Microsoft. Microsoft, the Microsoft logo, Microsoft Surface, Surface, and the Microsoft Surface logo are trademarks of the Microsoft group of companies. All other trademarks are the property of their respective owners.

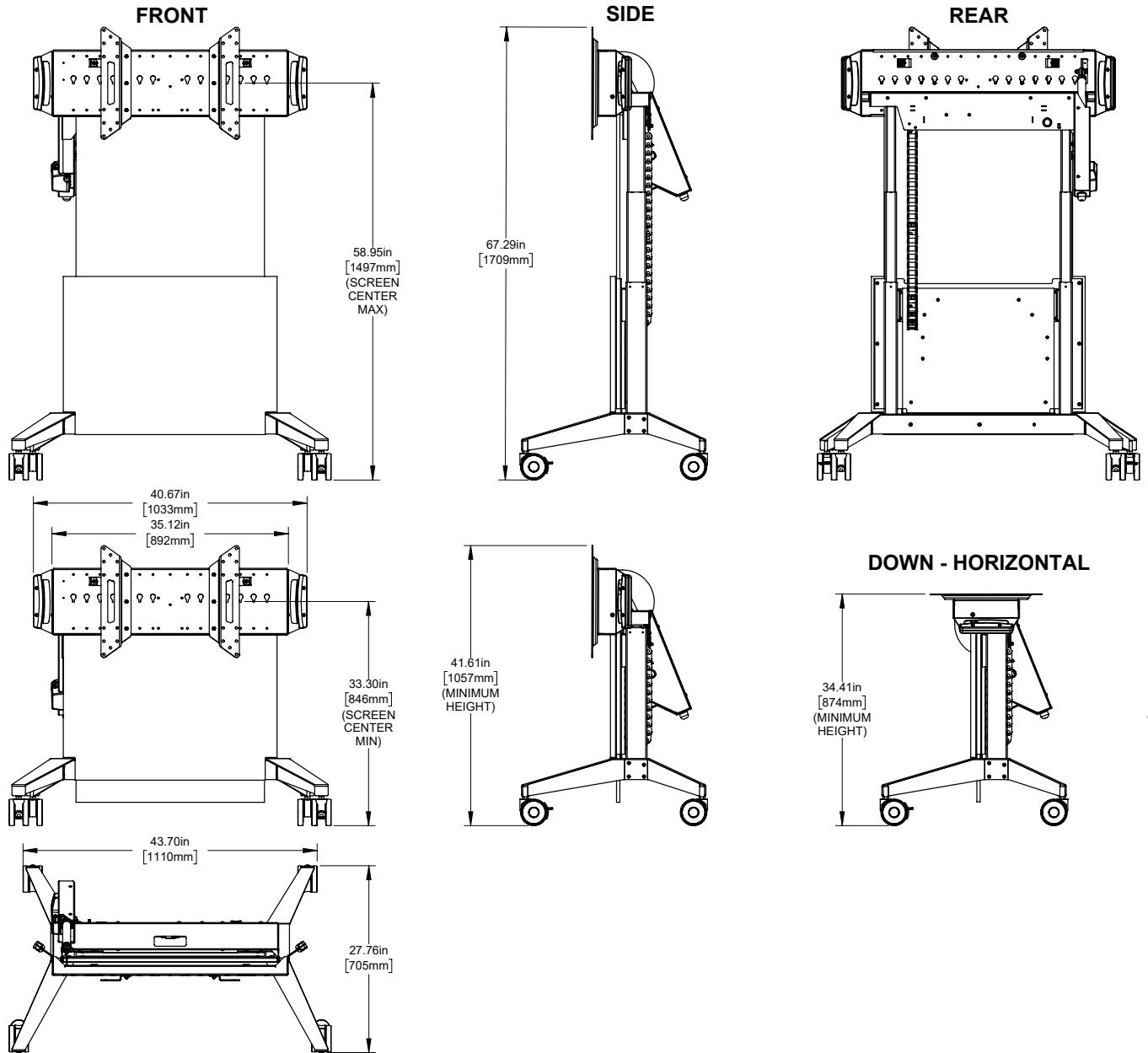




# ELECTRIC LIFT & TILT MOBILE STAND

Designed for Microsoft Surface Hub 2S 50"

FPS2/ELT/MS/GG





# ELECTRIC LIFT & TILT MOBILE STAND

Designed for Microsoft Surface Hub 2S 50"

FPS2/ELT/MS/GG

PRODUCT SPECIFICATIONS	Metric (mm)	US/Imperial Inches	SHIPPING DIMENSIONS		
	Length	1215.2	47.84	1,219 mm	48 inch
Overall Height Range	1057.5 - 1707.5	41.63 - 67.22	1,016 mm	40 inch	
Center of Screen Range of Travel	846.6 - 1496.6	33.33 - 58.92			
Depth	695.4	27.38	406 mm	16 inch	
Weight	65.77 kg	145 lbs	79.4 kg	175 lbs	
<b>Max Load Capacity</b>	<b>79.38 kg</b>	<b>175 lbs</b>			
UPC Number	634878507127				

### VESA COMPLIANT MOUNT PATTERN

Horizontal - 200, 250, 300, 350, 400, 450, 500, 550, 600, 650, 700, 750, 800, 850, 900mm  
 Vertical - 100, 200, 300, 350, 400mm  
 Panel Mounting - M4, M5, M6 Screws

Supports Microsoft Surface Hub 2  
 (VESA 350mm x 350m)

### CASTER WHEELS

4" (100mm) HD, Non Marking, Brakes on 2

### ELECTRICAL INFORMATION

Input: 90V - 240V ~, 48 Hz - 63HZ  
 Duty Cycle: 10% Max 2min / 18min

### CABLE MANAGER CHAIN

1" x .75" x 34" (25 x 19 x 865mm)

### POWER CABLE

IEC - Type Class 2, 2-prong  
 USA Included: (PN 400-590)

Available:

EU (PN 400-591)

UK (PN 400-592)

New Zealand, Australia and others (PN 400-593)

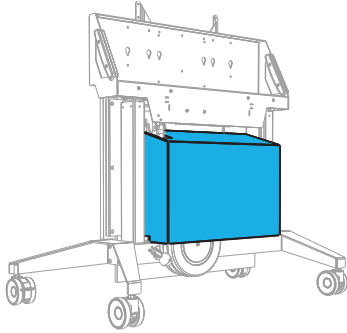




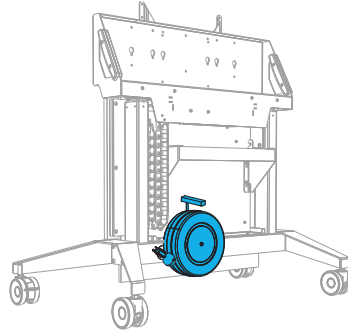
# ELECTRIC LIFT & TILT MOBILE STAND

Designed for Microsoft Surface Hub 2S 50"

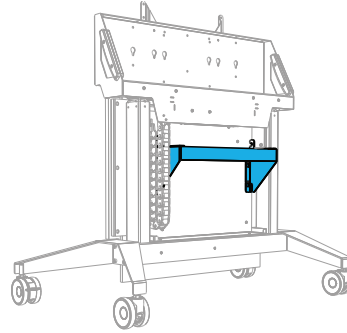
FPS2/ELT/MS/GG



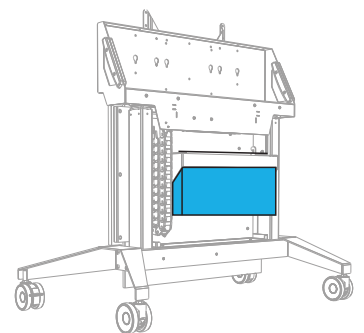
**Equipment Storage  
Cover- Graphite**  
FPSA/SC/GT



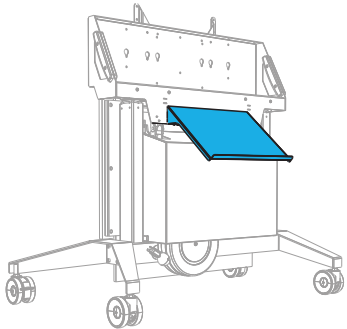
**Cable Reel 30' Payout, 24"  
Tri-Tap Female End**  
FPSA/CR



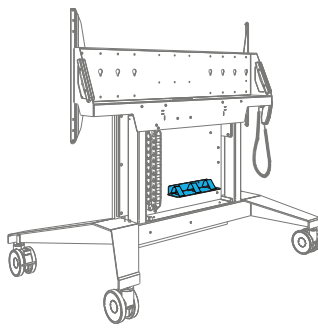
**19" Rack Mounting 3 RU**  
RM/VR/3U



**Power Distribution Unit**  
SA/RM/PDU



**Keyboard Storage  
Shelf- Graphite**  
FPSA/KS/GT



**Accessory Shelf  
with Straps**  
FPSA/AS1



**Wireless RF Remote  
Control with Memory**  
FPSA/RF1

## ROAD CASE

FOR EASY DEPLOYMENT

**Combine a mobile stand with  
a road case to provide secure  
and convenient transport of  
your display.**

Accommodates Stand & Display

FPSA/RC/EL



© 2020 Microsoft. Microsoft, the Microsoft logo, Microsoft Surface, Surface, and the Microsoft Surface logo are trademarks of the Microsoft group of companies. All other trademarks are the property of their respective owners.

