



# ELECTRIC LIFT MOBILE STAND

FPS1/EL/GG/EX



Take control of creative, presentation and collaboration work spaces. Salamander's beautiful and highly functional FPS Series Mobile Stands offer superior ergonomics complimenting any touch screen display with improved productivity, unrivaled flexibility and lifetime value.

A stylish, sleek and compact design moves easily between spaces. A thoughtful range of accessories provides even more utility and an improved user experience.

- Mobile stand for interactive display / touchscreen panel
- Motorized Electric Lift and wired remote
- Designed for Disabled Person Accessibility (USA ADA Compliant)
- Supports most VESA compliant display up to 175 lb (80 kg) including: Microsoft 55" Surface Hub
- Cisco® Sparkboard Compatible Stand Available, Model #FPS1/ELCS/GG/EX
- Ergonomic design. Adjustable height positioning provides best possible ergonomics and viewing
- Superior mobility. High quality commercial grade locking casters and integrated handles provide easy maneuverability and transport
- Fully concealed cable management allows clean and uncluttered installation
- Range of travel, Center of screen : Min- 36.83" (935.5 mm) and Max 62.42" (1585.5 mm)
- Storage for electronic components, peripherals and accessories
- Telescopic design allows compact position for transport and storage
- Durable construction. Made in USA of powder coated steel, Linak Motor components, Powder coated and/or veneered MDF panels
- Options available for peripheral equipment mounting, retractable cable reel, secure equipment storage cover, keyboard tray and more
- Limited Lifetime Warranty



Designed for Disabled  
Person Accessibility  
(USA ADA Compliant)



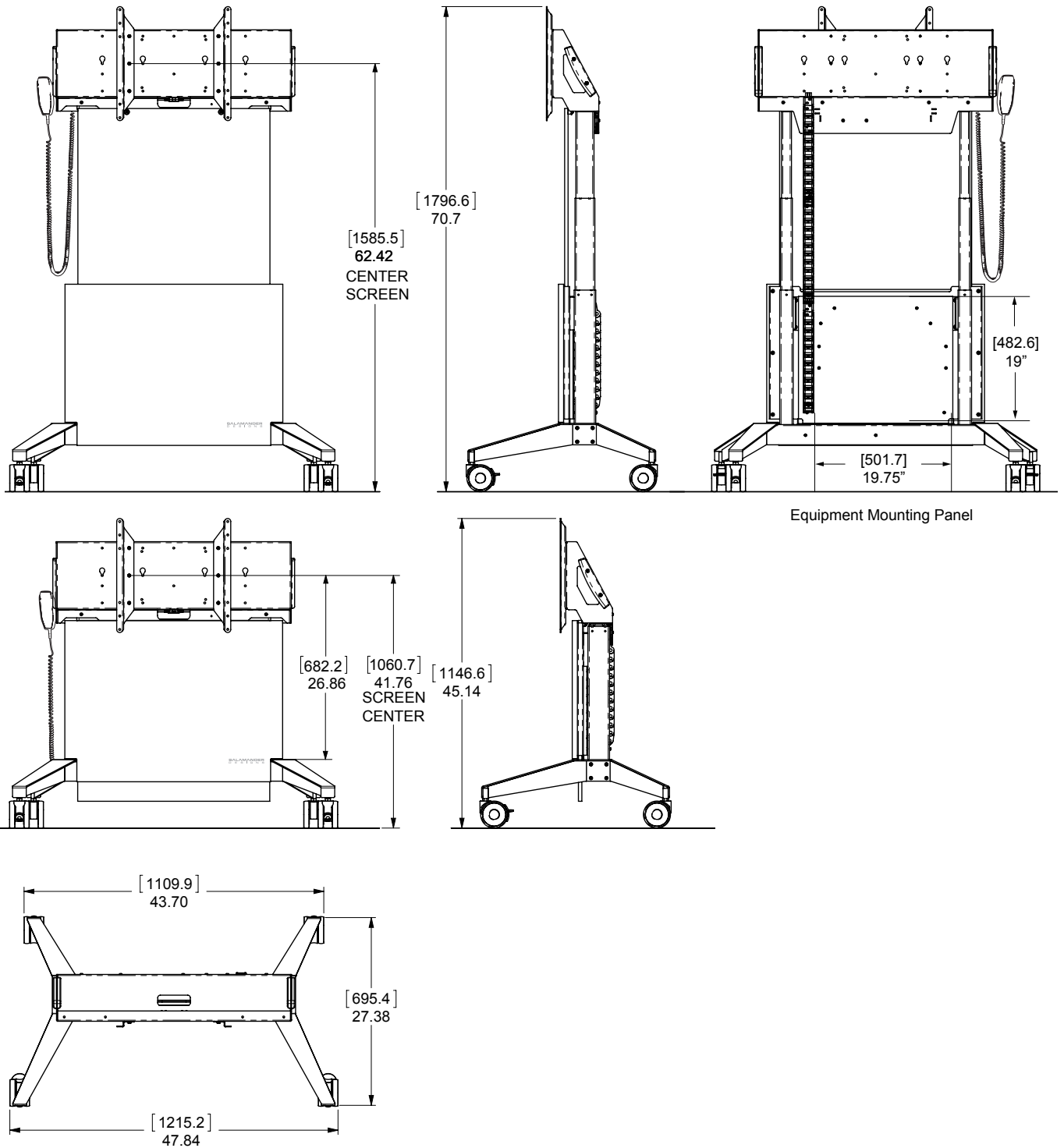
**LISTED**  
FPS1/EL/GG  
E479586





# ELECTRIC LIFT MOBILE STAND

FPS1/EL/GG/EX





# ELECTRIC LIFT MOBILE STAND

FPS1/EL/GG/EX

PRODUCT SPECIFICATIONS	Metric (mm)		US/Imperial Inches		SHIPPING DIMENSIONS	
	<b>Length</b>	1215.2	47.84	1,219 mm	48 inch	
<b>Overall Height Range</b>	1146.6 - 1796.6	45.14 - 70.7	1,016 mm	40 inch		
<b>Center of Screen Range of Travel</b>	935.83 - 1585.5	36.83 - 62.42				
<b>Depth</b>	695.4	27.38	406 mm	16 inch		
<b>Weight</b>	61.23 kg	135 lbs	72.57 kg	160 lbs		
<b>Max Load Capacity</b>	<b>79.38 kg</b>	<b>175 lbs</b>				
<b>UPC Number</b>	634878507110					



### VESA COMPLIANT MOUNT PATTERN

Horizontal - 200mm, 300mm, 400mm, 600mm  
 Vertical - 200mm, 300mm, 400mm  
 Panel Mounting - M4, M5, M6 Screws

Cisco® Sparkboard Compatible Stand  
 Available, Model #FPS1/ELCS/GG/EX

### CASTER WHEELS

4" (100mm) HD, Non Marking, Brakes on 2

### ELECTRICAL INFORMATION

Input: 90V - 240V ~, 48 Hz - 63HZ  
 Duty Cycle: 10% Max 2min / 18min

### CABLE MANAGER CHAIN

1" x .75" x 34" (25 x 19 x 865mm)

### POWER CABLES

IEC - Type Class 2, 2-prong

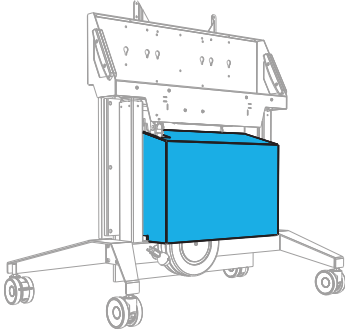
8 Feet (2.5 M) - USA Type A  
 6 Feet (2 M) - EU Type C  
 6 Feet (2 M) - UK Type G



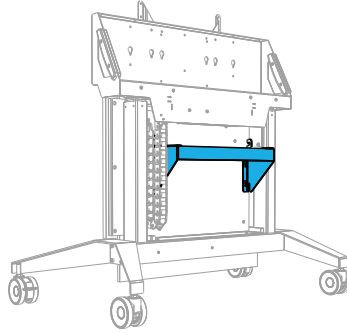


# ELECTRIC LIFT MOBILE STAND

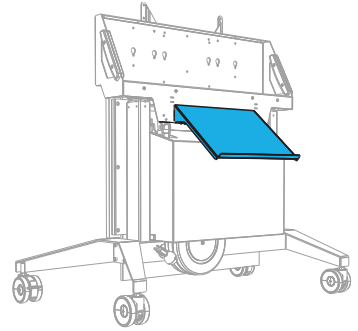
FPS1/EL/GG/EX



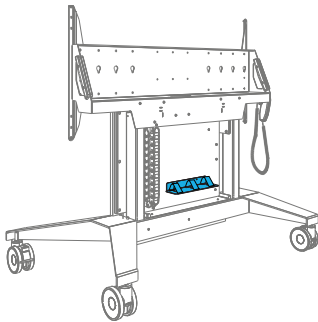
**Equipment Storage  
Cover- Graphite**  
FPSA/SC/GT



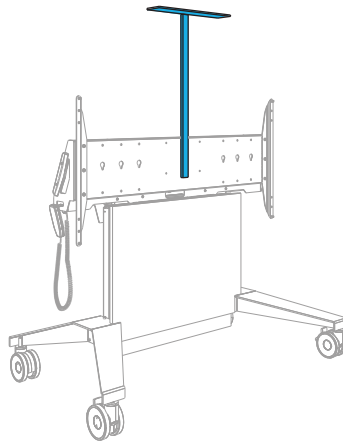
**19" Rack Mounting 3 RU**  
RM/VR/3U



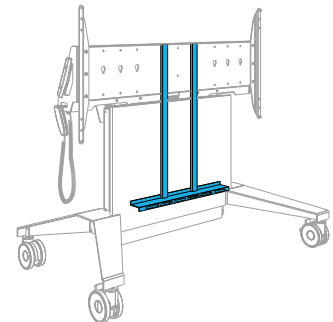
**Keyboard Storage  
Shelf- Graphite**  
FPSA/KS/GT



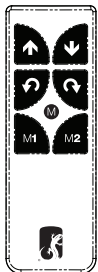
**Accessory Shelf  
with Straps**  
FPSA/AS1



**Camera Mount Shelf**  
FPSA/CS



**Speaker Bracket Kit**  
FPSA/SBK



**Wireless RF Remote  
Control with Memory**  
FPSA/RF1

## ROAD CASE

FOR EASY DEPLOYMENT

Combine a mobile stand with a road case to provide secure and convenient transport of your display.

Accommodates Stand & Display

FPSA/RC/EL

