

LOW PROFILE  
EDITION



MORE THAN A TRAILER  
EFFICIENT • STRONG • INNOVATIVE



## GOOSENECK 2.0 FLATBED TRAILER

## A TRAILER DESIGNED FOR YOU!

### DURABILITY

Cobra Gooseneck 2.0 trailers have incomparable durability as well as a modern design, and this without affecting the quality you are looking for. Our trailers are heavy-duty and made of galvanized steel. These trailers will follow you wherever you go and will stand time.

### INNOVATIONS

A multipurpose and versatile low-profile trailer with a sophisticated gooseneck, anti-torsion frame, a ramp with two lockable positions, toolboxes, adjustable LED lighting, and more. Here is another innovative product signed Maxi-Roule.

### COMPLETE OPTIONS

Whether it is the multi-position ramps, straps, toolboxes, chain racks or LED lighting, it is all there. Cobra Gooseneck 2.0 trailers are delivered with all available options already installed!



TOLL FREE 1-800-967-1855  
4618 boulevard Saint-Joseph  
Saint-Nicéphore, QC | J2A 3V5

[WWW.MAXIROULE.CA](http://WWW.MAXIROULE.CA)  
[info@maxiroule.ca](mailto:info@maxiroule.ca)

# GOOSENECK 2.0 FLATBED TRAILER

LOW PROFILE EDITION  
FULLY EQUIPPED, NO HASSLE OR EXTRAS!



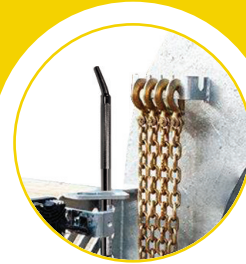
**RAMPS**



**ALUMINUM  
TOOLBOXES**



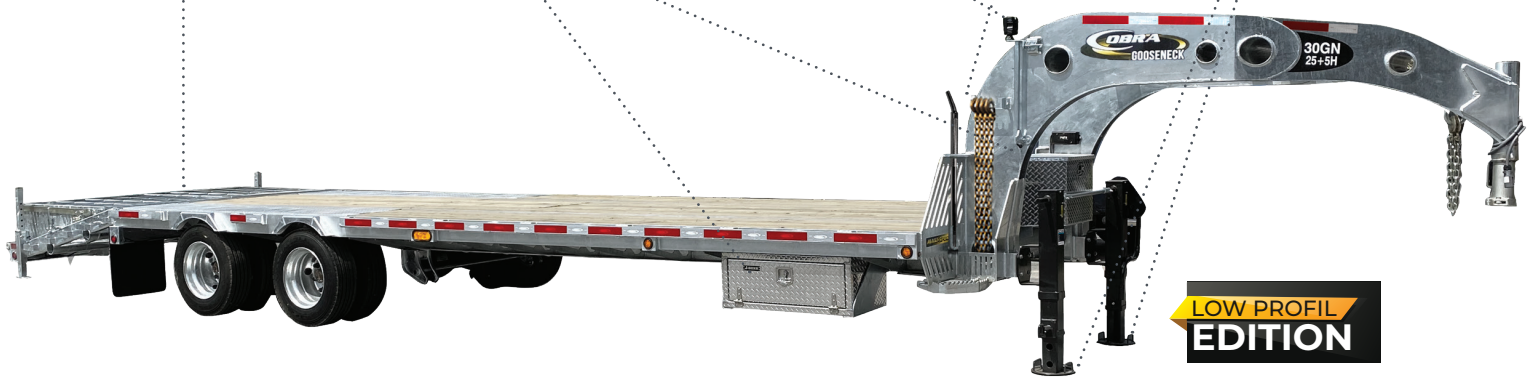
**LED LIGHTING  
WITH ADJUSTABLE ARM**



**CHAIN RACK AND  
WINCH BAR HOLDER**



**JACKS  
25,000 LB**



YOU **DESERVE** THE BEST  
OF THE MARKET.  
**CHOOSE MAXI-ROULE!**

## RAMPS (MULTI-POSITIONS)



Open

Closed 90°

Closed 180°

Equipped with a 4" lower platform than our regular version and a Hutch HDSS heavy-duty suspension, this low-profile edition allows you to increase the height of your cargo while keeping a lower center of gravity with the best suspension on the market.

## HUTCH SUSPENSION HDSS

The Hutch HDSS heavy-duty suspension is built to work as hard as you do. It requires less maintenance than a typical spring suspension and is designed to balance, adjust, and withstand heavy loads.



## ADJUSTABLE LED LIGHTING

A swivel LED lighting system attached to an adjustable arm allows you to easily position your lighting to suit your needs.



## REINFORCED RAMPS

Anti-torsion reinforcements have been integrated into the ramps to support the weight of your machinery and cargo when you load the trailer.



# GOOSENECK 2.0

## FLATBED TRAILER

### LOW PROFIL EDITION

## STANDARD EQUIPMENT

• AXLES BY  
DEXTER

• 100% LED LIGHTING

• 2 ALUMINUM  
TOOLBOXES

• LIGHT MULTI-POSI-  
TION RAMP

• STRAPS AND  
WINCH BAR

• CHAIN RACK

• STEP WITH  
SUPPORT

• 25,000 LB  
JACKS

## AVAILABLE MODEL WITH RAMPS

ELECTRIC BRAKES

HYDRAULIC BRAKES

MODEL	OVERALL LENGTH	OVERALL WIDTH	HEIGHT FROM GROUND	G.V.W.R (LB)	AXLES	TUBELESS TIRES
FB22E-20+5-GN-LP	416	101	34	22 000	2 X 10 000 LB	8X ST235/80 R16 LRE
FB22E-25+5-GN-LP	476	101	34	22 000	2 X 10 000 LB	8X ST235/80 R16 LRE
FB22E-30+5-GN-LP	536	101	34	22 000	2 X 10 000 LB	8X ST235/80 R16 LRE
FB24E-20+5-GN-LP	416	101	34	24 000	2 X 12 000 LB	8X ST235/80 R16 LRE
FB24E-25+5-GN-LP	476	101	34	24 000	2 X 12 000 LB	8X ST235/80 R16 LRE
FB24E-30+5-GN-LP	536	101	34	24 000	2 X 12 000 LB	8X ST235/80 R16 LRE
FB30E-20+5-GN-LP	416	101	34	30 000	2 X 15 000 LB	8X 215/75 R17.5 LRH
FB30E-25+5-GN-LP	476	101	34	30 000	2 X 15 000 LB	8X 215/75 R17.5 LRH
FB30E-30+5-GN-LP	536	101	34	30 000	2 X 15 000 LB	8X 215/75 R17.5 LRH
FB30E-35+5-GN-LP	596	101	34	30 000	2 X 15 000 LB	8X 215/75 R17.5 LRH
FB22H-20+5-GN-LP	416	101	34	22 000	2 X 10 000 LB	8X ST235/80 R16 LRE
FB22H-25+5-GN-LP	476	101	34	22 000	2 X 10 000 LB	8X ST235/80 R16 LRE
FB22H-30+5-GN-LP	536	101	34	22 000	2 X 10 000 LB	8X ST235/80 R16 LRE
FB24H-20+5-GN-LP	416	101	34	24 000	2 X 12 000 LB	8X ST235/80 R16 LRE
FB24H-25+5-GN-LP	476	101	34	24 000	2 X 12 000 LB	8X ST235/80 R16 LRE
FB24H-30+5-GN-LP	536	101	34	24 000	2 X 12 000 LB	8X ST235/80 R16 LRE
FB30H-20+5-GN-LP	416	101	34	30 000	2 X 15 000 LB	8X 215/75 R17.5 LRH
FB30H-25+5-GN-LP	476	101	34	30 000	2 X 15 000 LB	8X 215/75 R17.5 LRH
FB30H-30+5-GN-LP	536	101	34	30 000	2 X 15 000 LB	8X 215/75 R17.5 LRH
FB30H-35+5-GN-LP	596	101	34	30 000	2 X 15 000 LB	8X 215/75 R17.5 LRH



TOLL FREE 1-800-967-1855  
4618 boulevard Saint-Joseph  
Saint-Nicéphore, QC | J2A 3V5

[WWW.MAXIROULE.CA](http://WWW.MAXIROULE.CA)  
[info@maxiroule.ca](mailto:info@maxiroule.ca)

# GOOSENECK 2.0 FLATBED TRAILER

LOW PROFILE EDITION  
FULLY EQUIPPED, NO HASSLE OR EXTRAS!



**HEAVY-DUTY  
BUMPER**



**ALUMINUM  
TOOLBOXES**



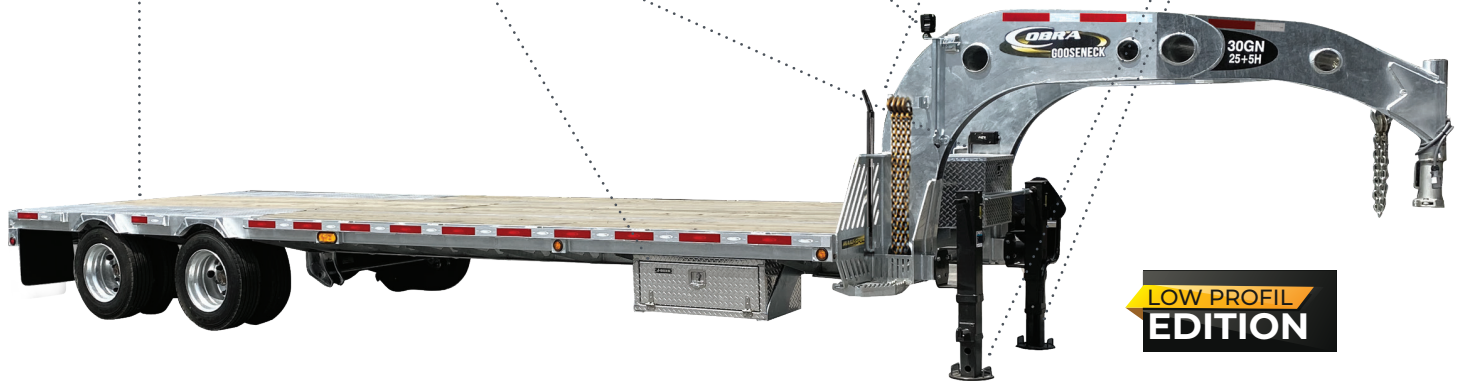
**LED LIGHTING  
WITH ADJUSTABLE ARM**



**CHAIN RACK AND  
WINCH BAR HOLDER**



**JACKS  
25,000 LB**



**LOW PROFIL  
EDITION**



## **REDESIGNED BUMPER**

The rear of the trailer has been completely redesigned and focuses on the rigidity and safety of your load. The new heavy-duty bumper is fitted with rubber stoppers to protect your trailer during your deliveries. In addition, LED traffic lights will ensure a good visibility during your travels.

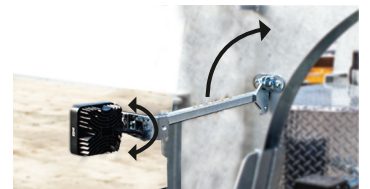
## **HUTCH SUSPENSION HDSS**

The Hutch HDSS heavy-duty suspension is built to work as hard as you do. It requires less maintenance than a typical spring suspension and is designed to balance, adjust, and withstand heavy loads.



## **ADJUSTABLE LED LIGHTING**

A swivel LED lighting system attached to an adjustable allows you to easily position your lighting to suit your needs.



## **TOOLBOX AND STEPS**

Everything is in place to simplify the task, either to climb on the flatbed using our integrated steps or to secure your tools in the aluminum toolboxes.



# GOOSENECK 2.0

## FLATBED TRAILER

### LOW PROFIL EDITION

## ÉQUIPEMENT DE SÉRIE

• AXLES BY  
DEXTER

• 100% LED LIGHTING

• 2 ALUMINUM  
TOOLBOXES

• STRAPS AND  
WINCH BAR

• CHAIN RACK

• STEP WITH SUPPORT

• 25,000 LB  
JACKS

## AVAILABLE MODEL WITHOUT EXTENTION

ELECTRIC BRAKES

HYDRAULIC BRAKES

MODEL	OVERALL LENGTH	OVERALL WIDTH	HEIGHT FROM GROUND	G.V.W.R (LB)	AXLES	TUBELESS TIRES
FB22E-20-GN-LP	356	101	34	22 000	2 X 10 000 LB	8X ST235/80 R16 LRE
FB22E-25-GN-LP	416	101	34	22 000	2 X 10 000 LB	8X ST235/80 R16 LRE
FB22E-30-GN-LP	476	101	34	22 000	2 X 10 000 LB	8X ST235/80 R16 LRE
FB24E-20-GN-LP	356	101	34	24 000	2 X 12 000 LB	8X ST235/80 R16 LRE
FB24E-25-GN-LP	416	101	34	24 000	2 X 12 000 LB	8X ST235/80 R16 LRE
FB24E-30-GN-LP	476	101	34	24 000	2 X 12 000 LB	8X ST235/80 R16 LRE
FB30E-20-GN-LP	356	101	34	30 000	2 X 15 000 LB	8X 215/75 R17.5 LRH
FB30E-25-GN-LP	416	101	34	30 000	2 X 15 000 LB	8X 215/75 R17.5 LRH
FB30E-30-GN-LP	476	101	34	30 000	2 X 15 000 LB	8X 215/75 R17.5 LRH
FB30E-35-GN-LP	536	101	34	30 000	2 X 15 000 LB	8X 215/75 R17.5 LRH
FB22H-20-GN-LP	356	101	34	22 000	2 X 10 000 LB	8X ST235/80 R16 LRE
FB22H-25-GN-LP	416	101	34	22 000	2 X 10 000 LB	8X ST235/80 R16 LRE
FB22H-30-GN-LP	476	101	34	22 000	2 X 10 000 LB	8X ST235/80 R16 LRE
FB24H-20-GN-LP	356	101	34	24 000	2 X 12 000 LB	8X ST235/80 R16 LRE
FB24H-25-GN-LP	416	101	34	24 000	2 X 12 000 LB	8X ST235/80 R16 LRE
FB24H-30-GN-LP	476	101	34	24 000	2 X 12 000 LB	8X ST235/80 R16 LRE
FB30H-20-GN-LP	356	101	34	30 000	2 X 15 000 LB	8X 215/75 R17.5 LRH
FB30H-25-GN-LP	416	101	34	30 000	2 X 15 000 LB	8X 215/75 R17.5 LRH
FB30H-30-GN-LP	476	101	34	30 000	2 X 15 000 LB	8X 215/75 R17.5 LRH
FB30H-35-GN-LP	536	101	34	30 000	2 X 15 000 LB	8X 215/75 R17.5 LRH



TOLL FREE 1-800-967-1855  
4618 boulevard Saint-Joseph  
Saint-Nicéphore, QC | J2A 3V5

[WWW.MAXIROULE.CA](http://WWW.MAXIROULE.CA)  
[info@maxiroule.ca](mailto:info@maxiroule.ca)