

Parts Catalogue

Model : RK74

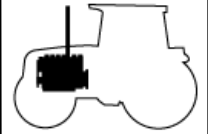


FIG 00

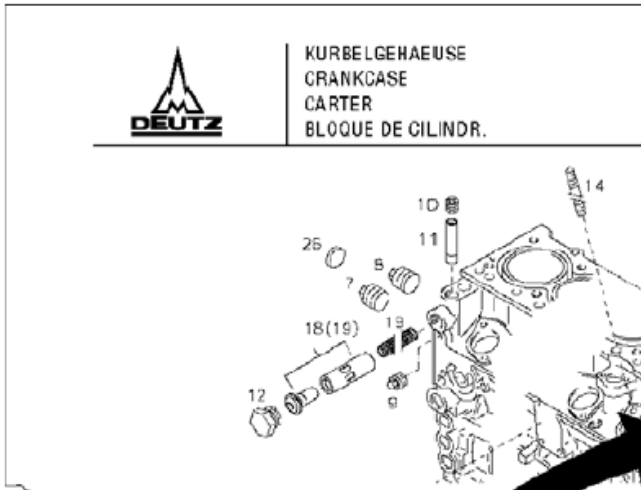
SERVICE

Year

2018



RK74



KURBELGEHAEUSE
CRANKCASE
CARTER
BLOQUE DE CILINDR.

BILD FIG.	TN / PW	MGE QTY	DEUTSCH	ENGLISH	FRANCAIS	
1	0417 8910	1	KURBELGEHAEUSE	ENGINE BLOCK	BLOC_MOTEUR	
2	0417 8155	2	LAGERBUCHSE	BEARING BUSH	BAGUE	CASQUILLO DOJINETE
3	0417 8154	3	LAGERBUCHSE	BAERING BUSH	BAGUE	CASQUILLO DOJINETE
4	0210 8055	2	FUEHRUNGSHUELSE	GUIDE SLEEVE	DOUILLE DE GUIDAGE	CASQUILLO GUIA
5	0417 8711	1	VERSCHLUSSSCHRAUBE	SCREW PLUG	BOUCHON FILETE	TAPON ROSCADO

Ersatzteilbestellung
Spare parts order
Commande de pièces de rechange
Pedido de repuestos

Motor-Bauart:

Engine model:
Type de moteur: **F4M 1071F**
Tipo del motor:

Motor-Nummer:

Engine serial number:
Numéro du moteur: **0 080 729**
Número de motor:

Lfd. Nr./Ser. No. No ct/No. corr	Stk./Qty. Qté/Cant.	Teilnummer/Part number No de piece/No. de pieza
1.	2	0417 8155
2.	3	0417 8154
3.	1	0210 8055

(A)961 FM M. AB&ASOPTI. KOLBEN

NOTE


KEY NO.		PART NO.	DESCRIPTION	SPEC.	QTY.	REPAIR	ENG. SERIAL NO.	REMARKS
FIG 01		0512 4184 0512 4259 0512 4281 0512 4051			P1	Year		
RK74						2018		
		0512 4051						
01	001	0413 2481	COMPRESSION SPRING		1			
01	002	0111 8730	SEALING RING		1			
01	003	0620 8701	SCREW PLUG		1			65Nm
01	004	0413 2248	VAVE PLUNGER		1			
		0512 4184						
01	001	0428 1390	FILLER CAP		1			
		0512 4259						
01	001	0413 2825	DIPSTICK		1			2)
01	002	0116 2239	O-SEAL		2			
		0512 4281						
01	001	0413 2394	CRANKCASE		1			WITH ITEM...
01	002	0292 8961	THRUST WASHER		1			UEBERMASSTUFE
01	003	0413 2003	MAIN BEARNG SHELLS		5			UNTERMASSTUFE
01	004	0417 8452	PISTON COOL.NOZZLE		8			
01	005	0425 4754	BY-PASS COMPONENT		1			
01	006	0413 2560	NON-RETURN VALVE		1			
01	007	0114 8153	COVER		4			
01	008	0111 3397	STUD		7			
01	009	0118 0888	SCREW PLUG		3			50Nm
01	010	0111 8673	SEALING RING		1			
01	011	0111 0422	SCREW PLUG		1			35Nm
01	012	0413 2027	CAMSHAFT BUSH		1			
01	015	0416 0764	BUSH		10			
01	016	0210 8134	HEXAGON BOLT		10			50Nm , 60° , 45°
01	129	0109 8072	SAFETY/LOCK.AGENT		1			
01	185	0131 9911	SAFETY/LOCK.AGENT		1			
01	950	0292 8962	THRUST WASHER		1			1ST OVERSIZE
01	951	0413 3018	MAIN BEARNG SHELLS		5			1ST UNDERSIZE
01	952	0413 3019	MAIN BEARNG SHELLS		5			2ND UNDERSIZE
NOTE								

FIG 01

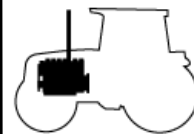
RK74

0512 4184
0512 4259
0512 4281
0512 4051

P1

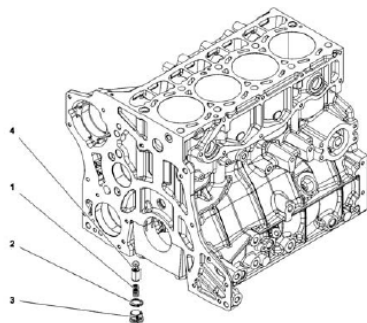
Year

2018



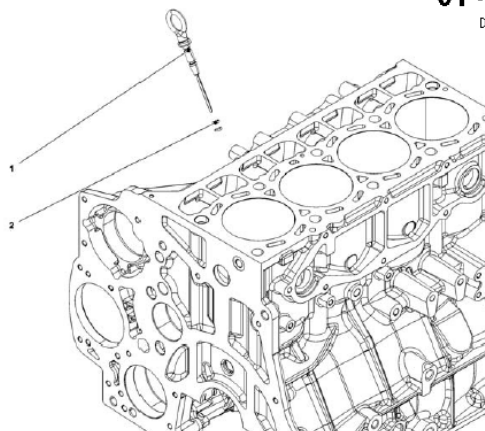
01 - 0512 4051

PRESSURESTAT



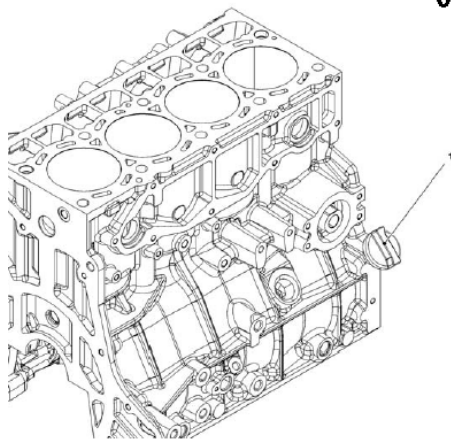
01 - 0512 4259

DIPSTICK



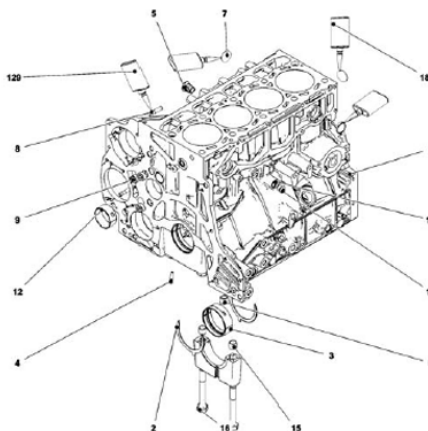
01 - 0512 4184

FILLER CAP



01 - 0512 4281

CRANKCASE



NOTE

FIG 02

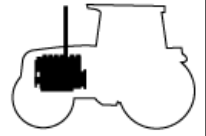
RK74

0512 4368

P1

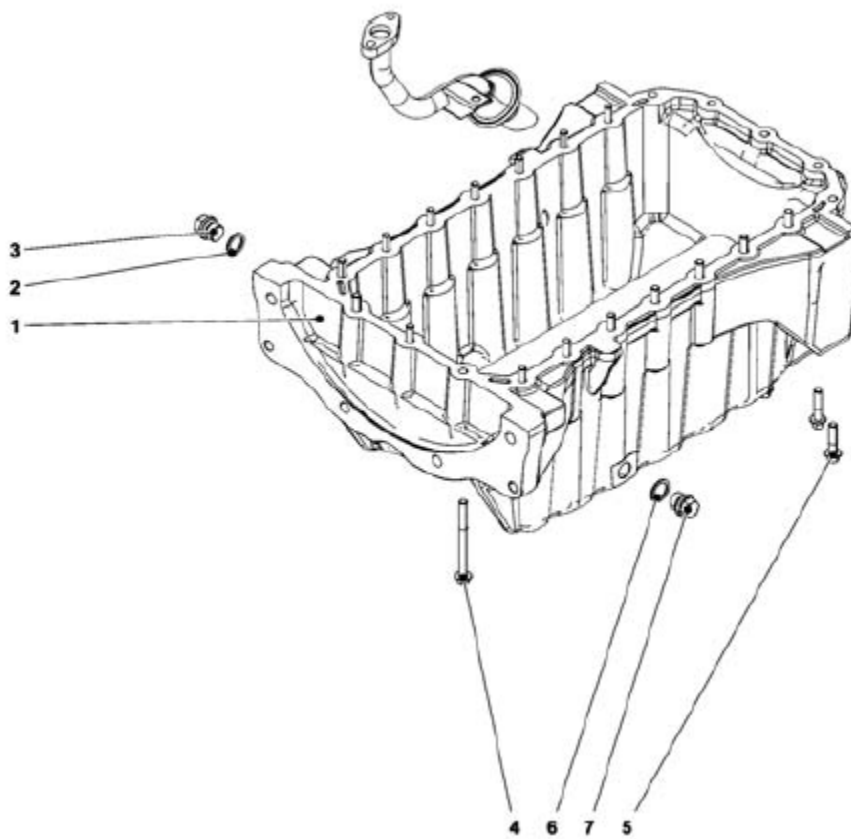
Year

2018



02 - 0512 4368

OIL PAN



NOTE

FIG 05

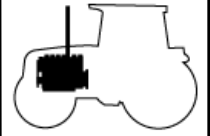
RK74

0512 4036
0512 4130
0512 4238
0512 4321

P1

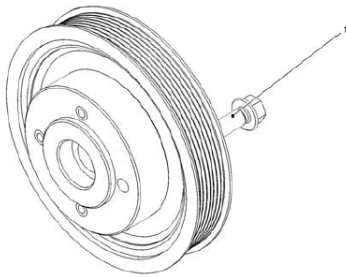
Year

2018



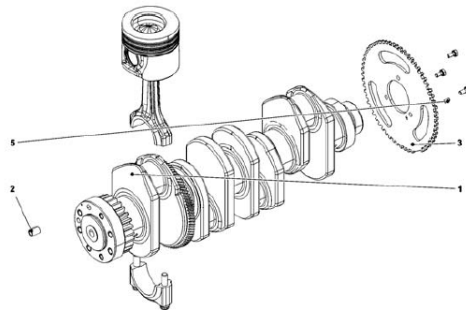
05 - 0512 4036

FASTENINGS



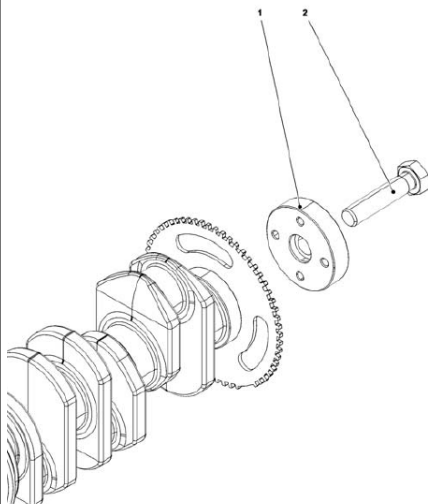
05 - 0512 4238

CRANKSHAFT



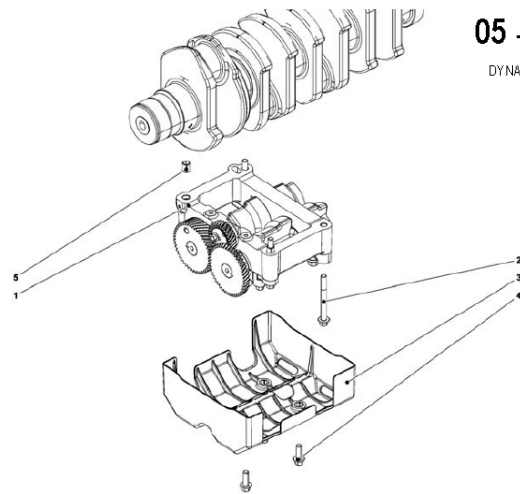
05 - 0512 4130

CRANKSHAFT ACCESS.



05 - 0512 4321

DYNAMIC BALANCER



NOTE

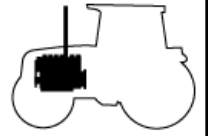
FIG 06

0512 4003

P1

Year

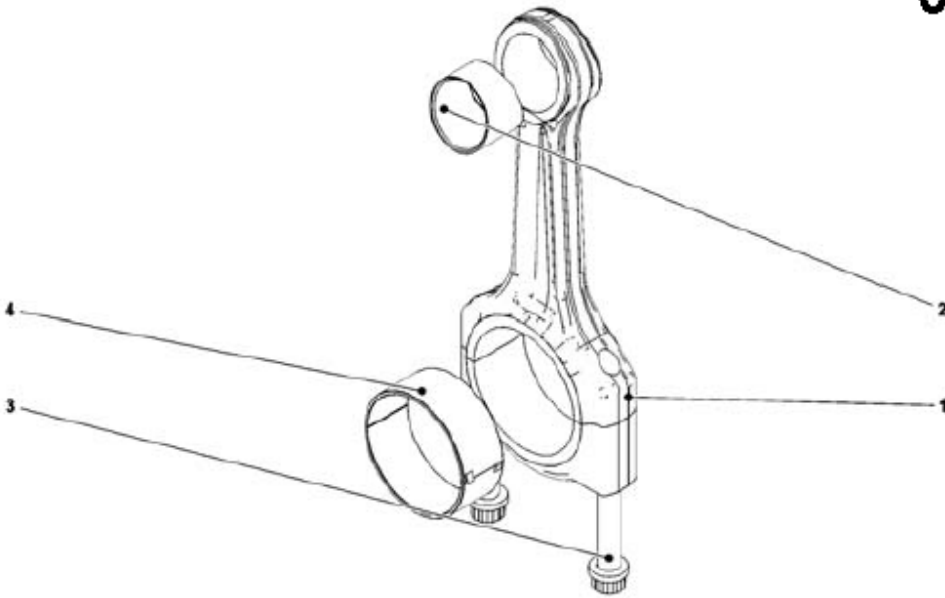
2018



RK74

06 - 0512 4003

CONNECTING ROD



NOTE

FIG 07

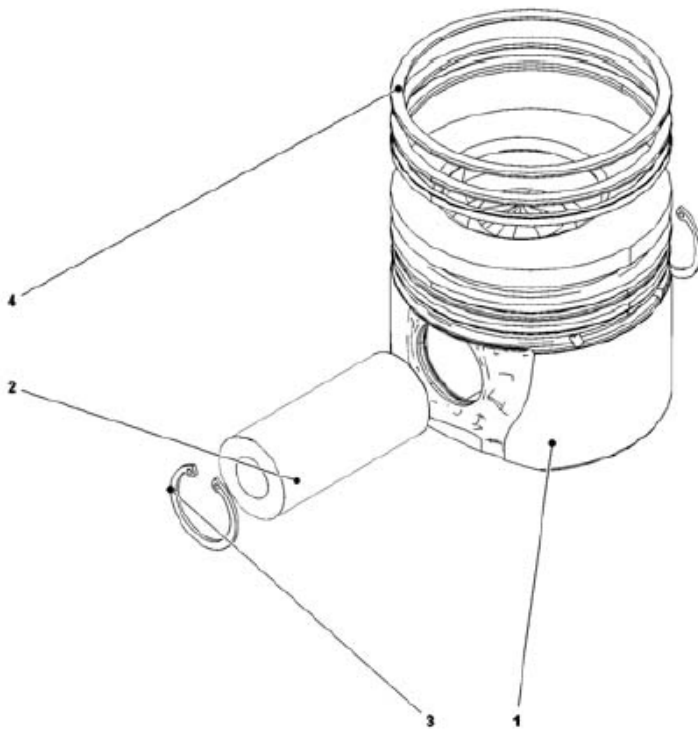
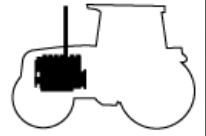
RK74

0512 4005

P1

Year

2018



07 - 0512 4005

PISTON

NOTE

FIG 08

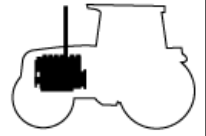
RK74

0512 4312
0512 4050
0512 4246

P1

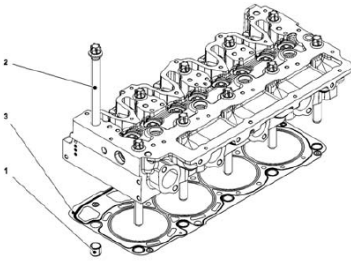
Year

2018



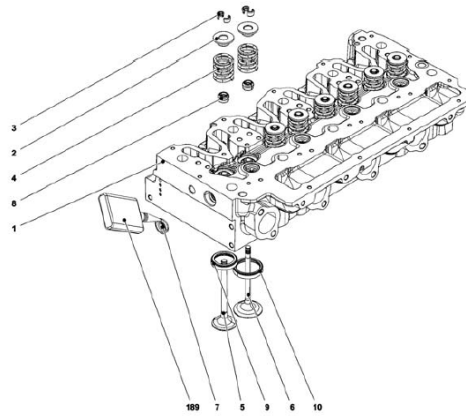
08 - 0512 4050

FASTENINGS



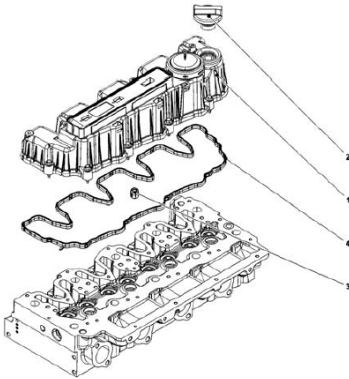
08 - 0512 4312

CYLINDER HEAD



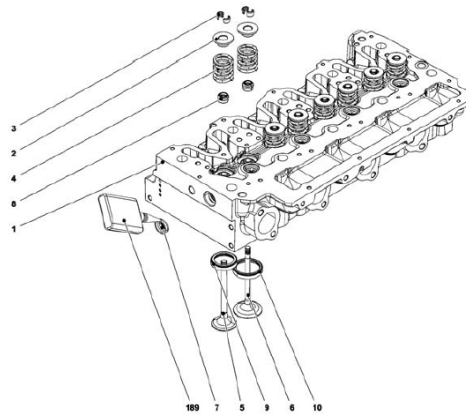
08 - 0512 4246

VALVE MECHAN COVER



08 - 0512 4312

CYLINDER HEAD



NOTE

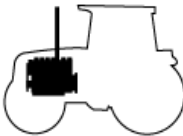
KEY NO.		PART NO.	DESCRIPTION	SPEC.	QTY.	REPAIR	ENG. SERIAL NO.	REMARKS
FIG 09		0512 4044 0512 4320 0512 4406			P1	Year		
RK74								
		0512 4044						
09	001	0413 2135	CAP		1			
09	002	0413 1890	GASKET		1			
09	003	0118 1437	HEXAGON BOLT		13			30Nm
09	004	0113 9708	SCREW PLUG		1			60Nm
09	005	0067 3740	VALVE		1			
09	006	0413 1889	SPRING		1			
09	007	0111 8748	SEALING RING		1			
09	008	0417 5434	ROT.SHAFT LIP SEAL		1			
		0512 4320						
09	001	0413 3431	GEAR CASE		1			
09	002	0410 2866	ROT.SHAFT LIP SEAL		1			
09	003	0111 5484	STRAIGHT PIN		2			
09	004	0118 1440	HEXAGON BOLT		17			30 Nm
09	005	0413 1595	COVER		1			
09	006	0111 2550	HEXAGON BOLT		1			110 Nm
09	007	0413 4105	PLUG		1			
09	188	0131 9909	PACKING COMP OUND		1			
09	950	0067 4705	ROT.SHAFT LIP SEAL		1			for high dirt enters
		0512 4406						
009	001	0413 4109	SEALING RING		1		~2018.01.14	
009	001	0413 4017	SEALING RING		1		2018.01.15-	
NOTE								

FIG 09

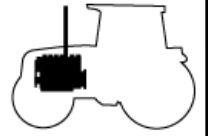
RK74

0512 4044
0512 4320
0512 4406

P1

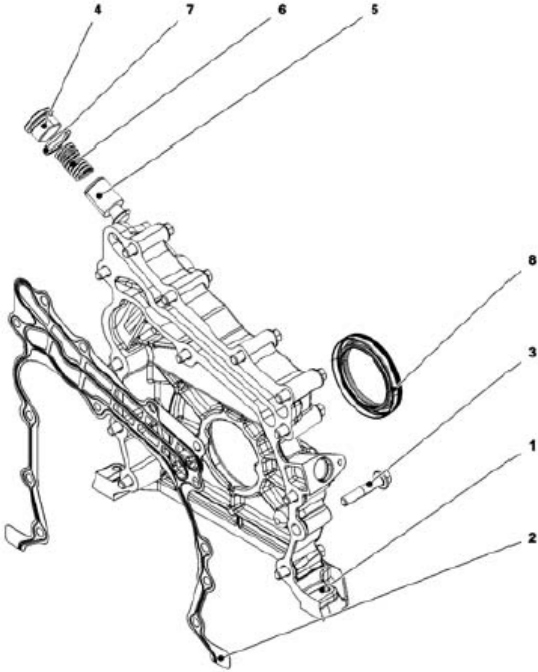
Year

2018



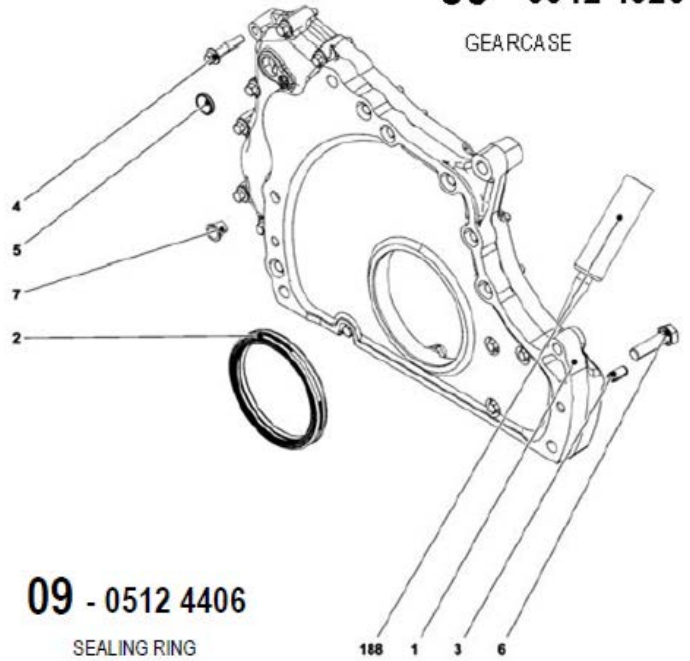
09 - 0512 4044

FRONT COVER



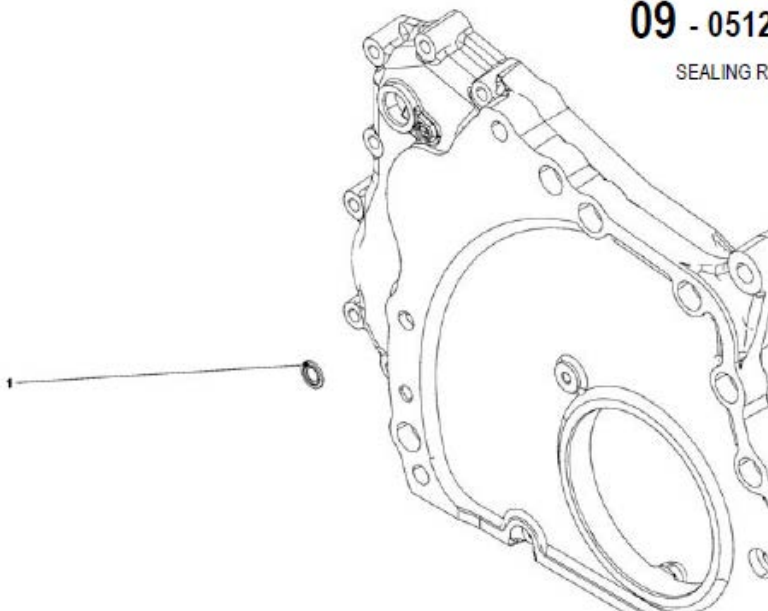
09 - 0512 4320

GEARCASE



09 - 0512 4406

SEALING RING



NOTE

FIG 10

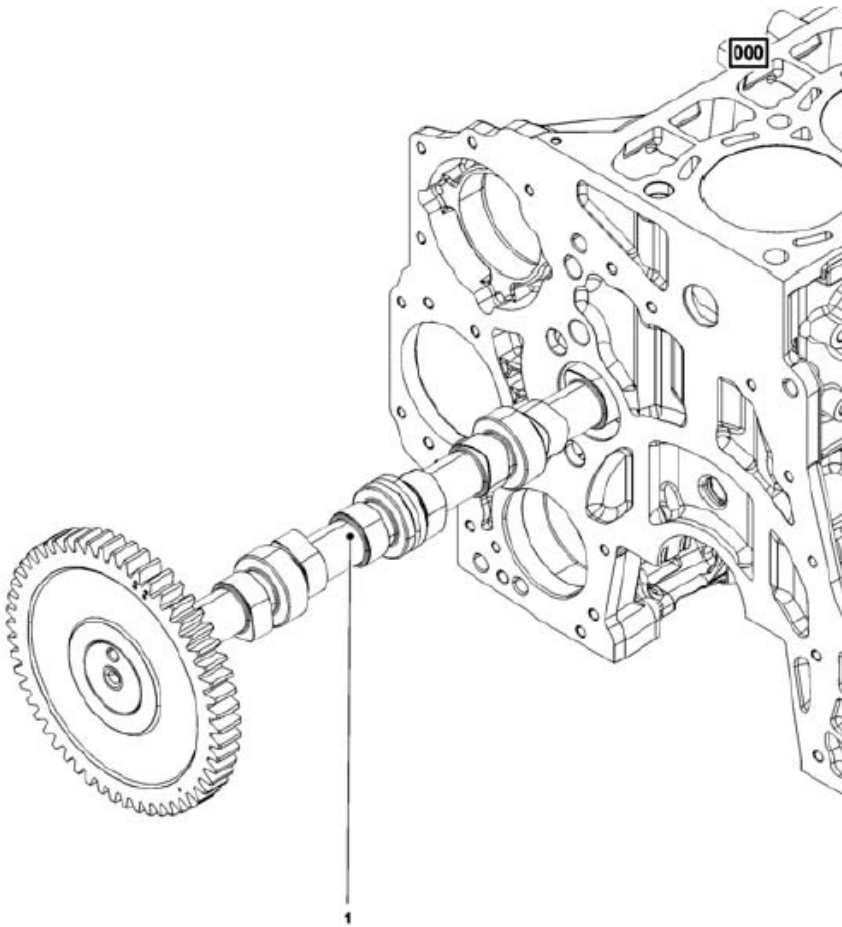
RK74

0512 4284

P1

Year

2018



10 - 0512 4284

CAMSHAFT

NOTE

FIG 11

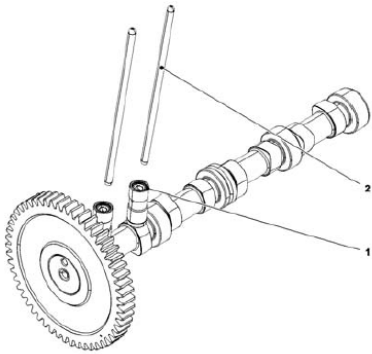
RK74

0512 4004
0512 4045
0512 4046

P1

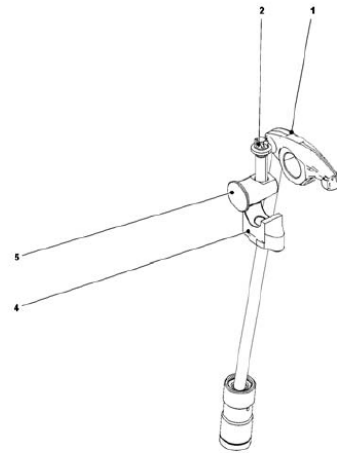
Year

2018



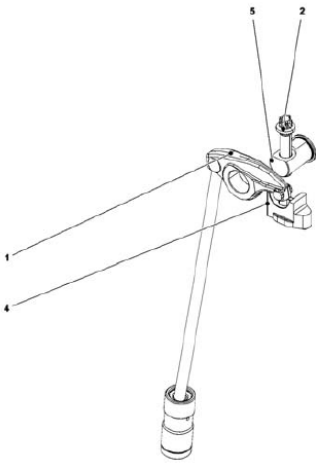
11 - 0512 4004

VALVE DRIVE



11 - 0512 4046

ROCKER ARM INLET



11 - 0512 4045

ROCKER ARM OUTLET

NOTE

FIG 14

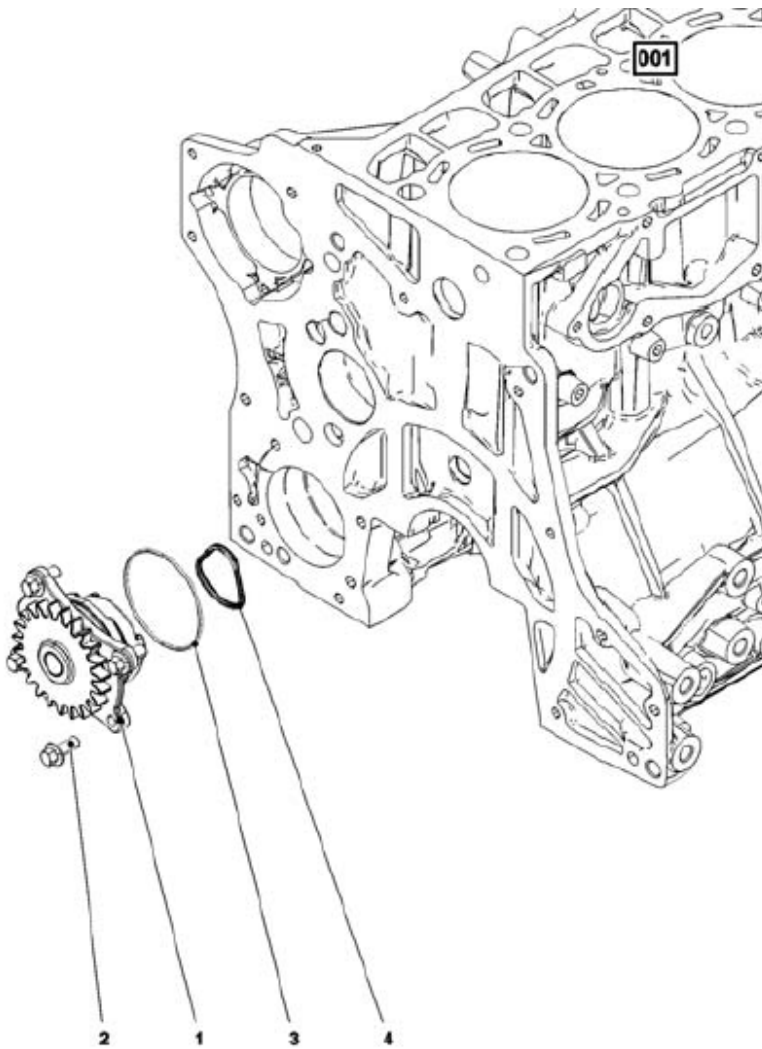
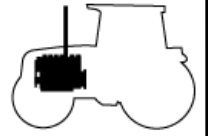
RK74

0512 4027

P1

Year

2018



14 - 0512 4027

LUBRICAT. OIL PUMP

NOTE

FIG 15

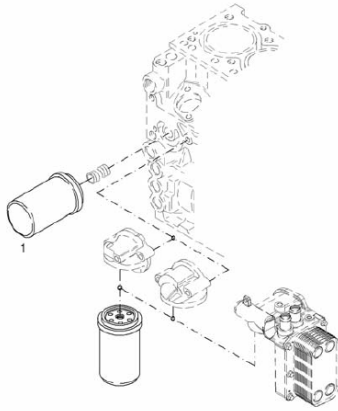
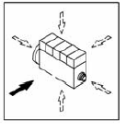
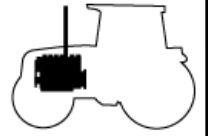
RK74

0512 4120
0506 4400
0512 4000

P1

Year

2018

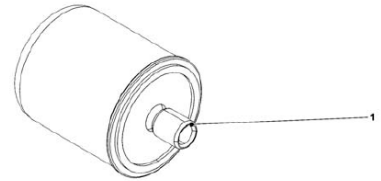


15 - 0506 4400

LUBRIC. OIL FILTER

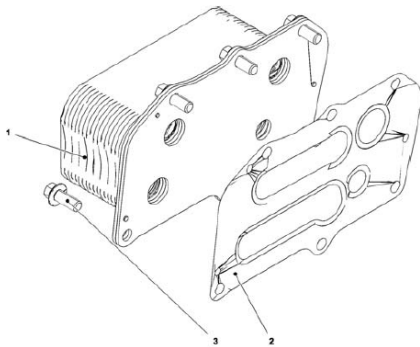
15 - 0512 4120

OIL FILTER ASSY



15 - 0512 4000

OIL COOLER



NOTE

FIG 16

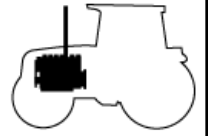
RK74

0512 4261

P1

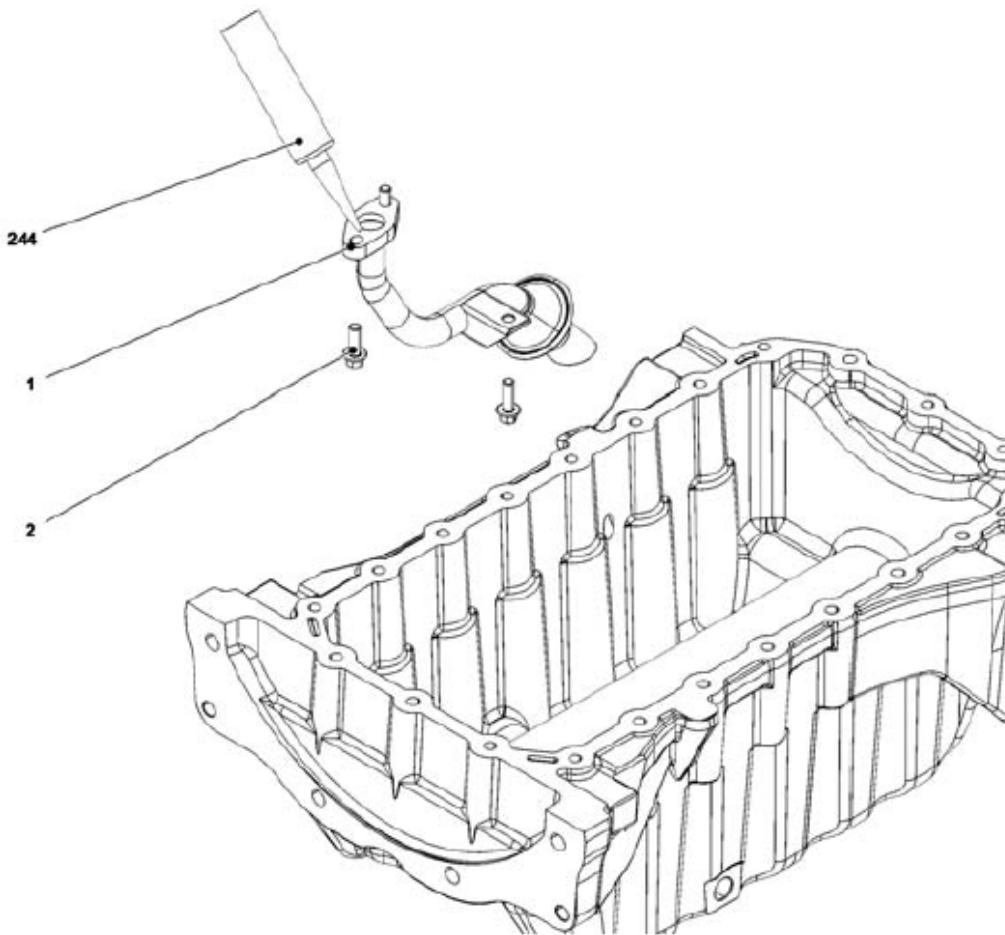
Year

2018



16 - 0512 4261

OIL SUCTION PIPE



NOTE

FIG 17

RK74

0512 4052

P1

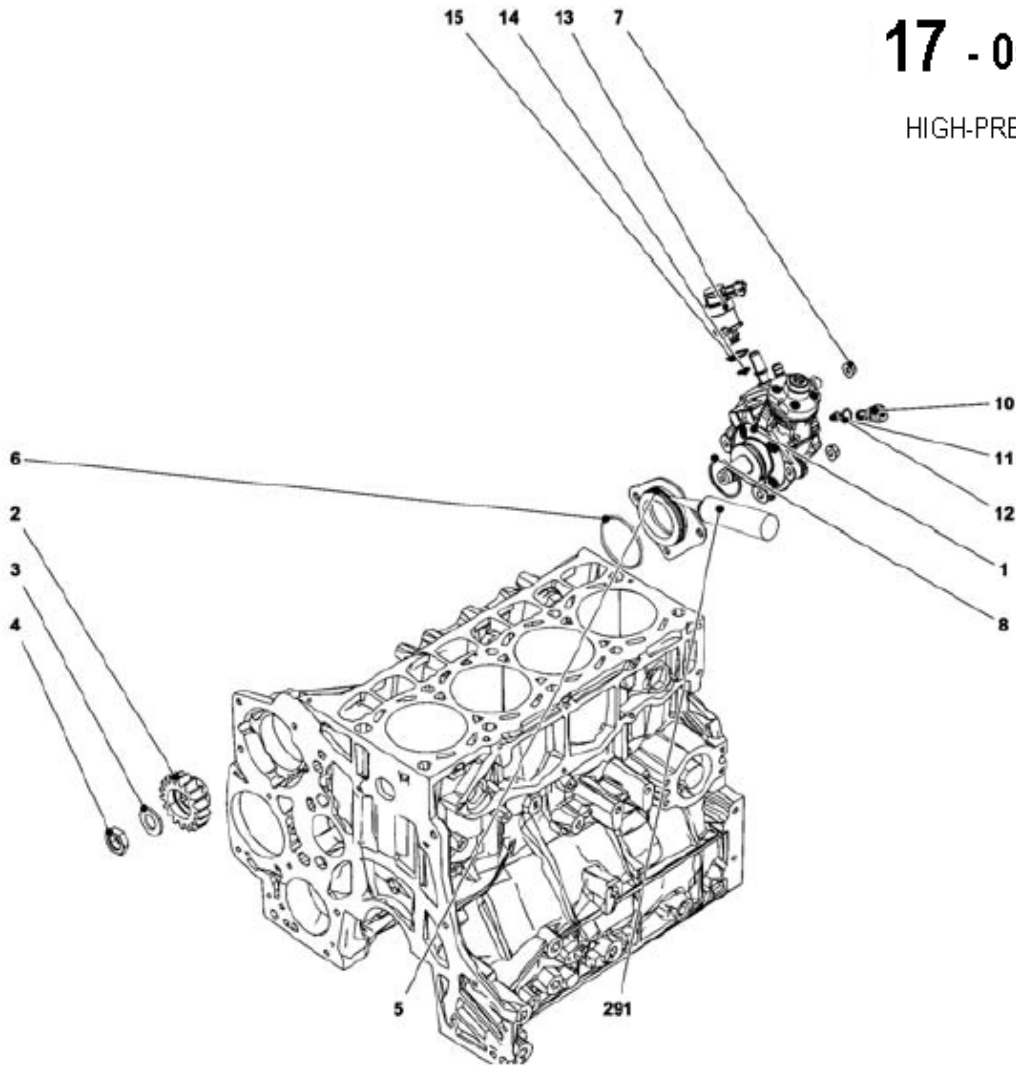
Year

2018



17 - 0512 4052

HIGH-PRESSURE PUMP



NOTE

FIG 19

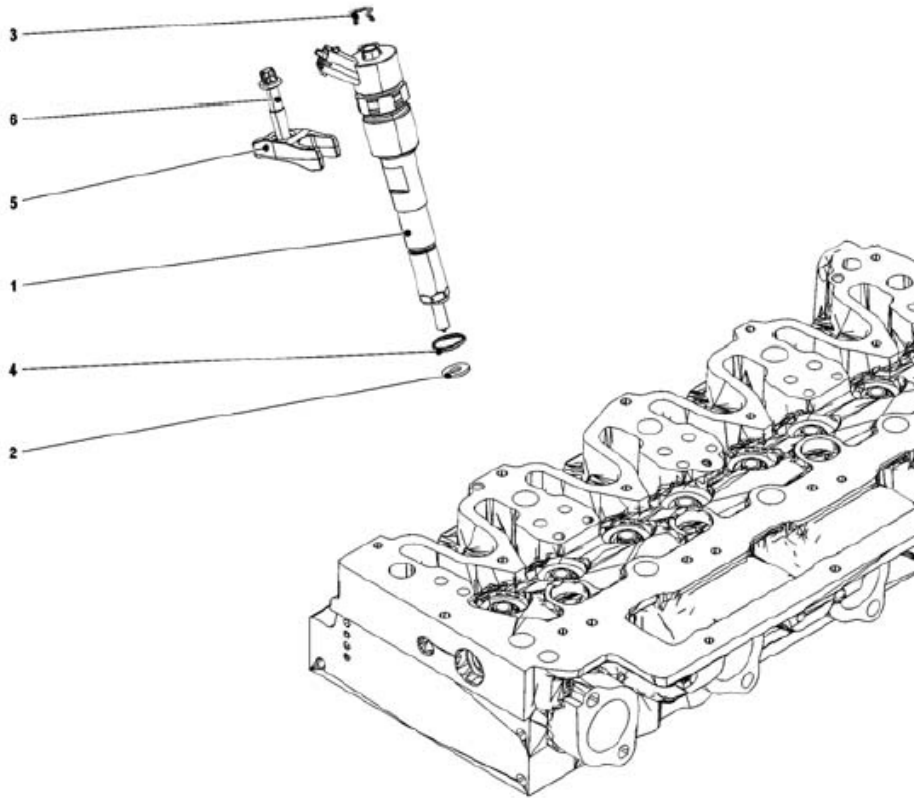
RK74

0512 4047

P1

Year

2018



19 - 0512 4047

FUEL INJECTOR

NOTE

FIG 20

RK74

0512 4224

P1

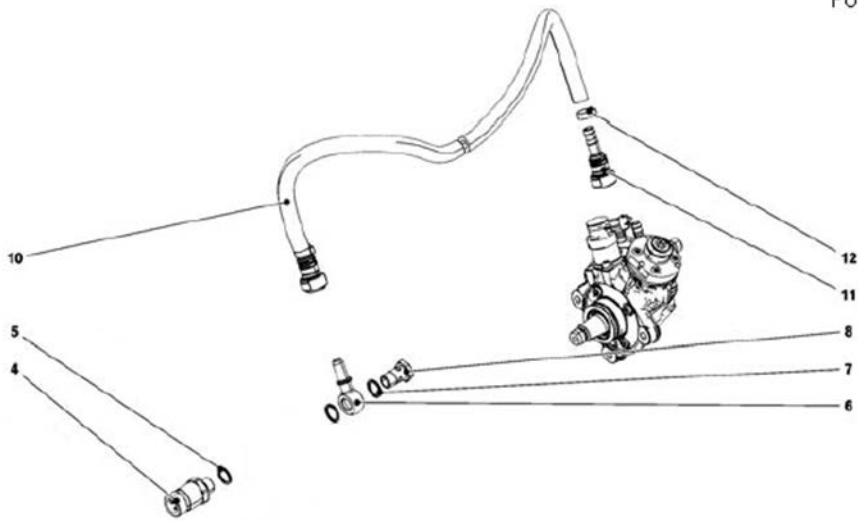
Year

2018



20 - 0512 4224

FUEL FILTER



NOTE

FIG 21

RK74

0512 4009
0512 4008
0512 4299

P1

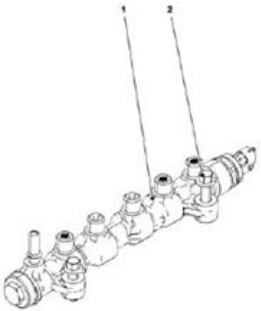
Year

2018



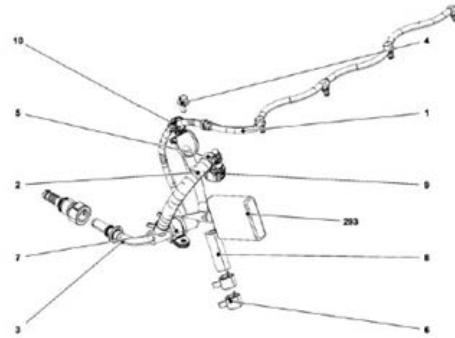
21 - 0512 4008

RAIL



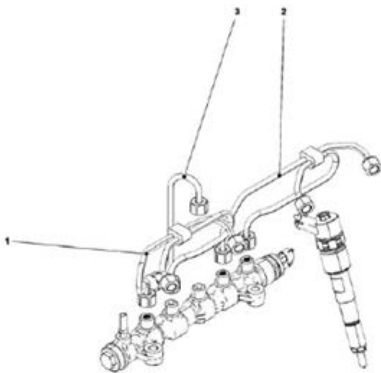
21 - 0512 4299

FUEL LINE



21 - 0512 4009

HIGH PRESSURE PIPE



NOTE

FIG 22

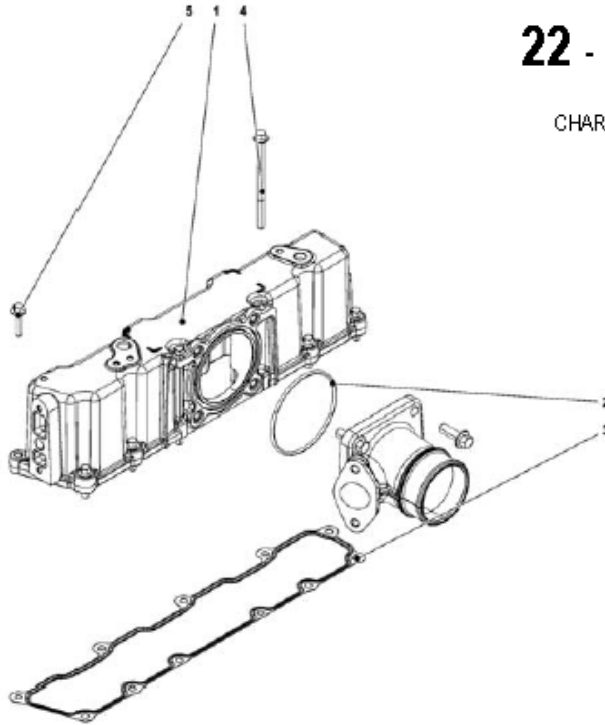
RK74

0512 4345
0512 4392

P1

Year

2018

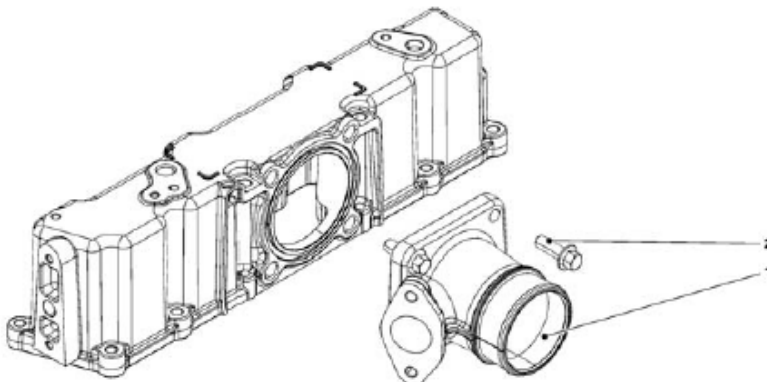


22 - 0512 4345

CHARGE AIR PIPE

22 - 0512 4392

CHARGE AIR ELBOW



NOTE

FIG 27

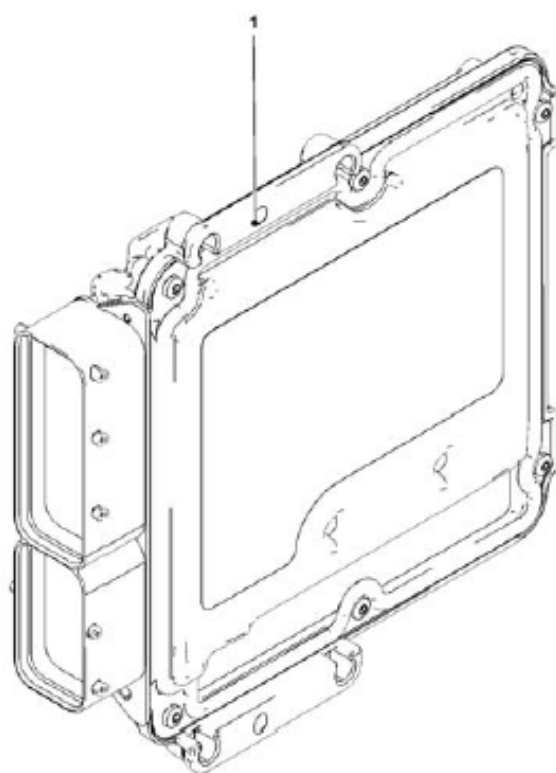
RK74

0511 8909

P1

Year

2018



27 - 0511 8909

CONTROL UNIT

NOTE

FIG 37

RK74

0512 4331

P1

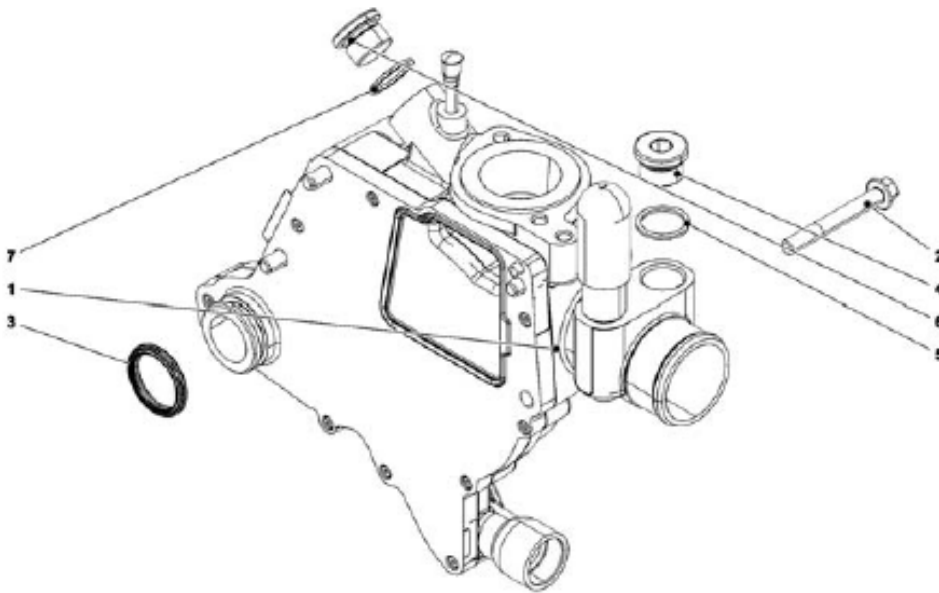
Year

2018



37 - 0512 4331

COOLANT PUMP



NOTE

FIG 38

RK74

0512 4055

P1

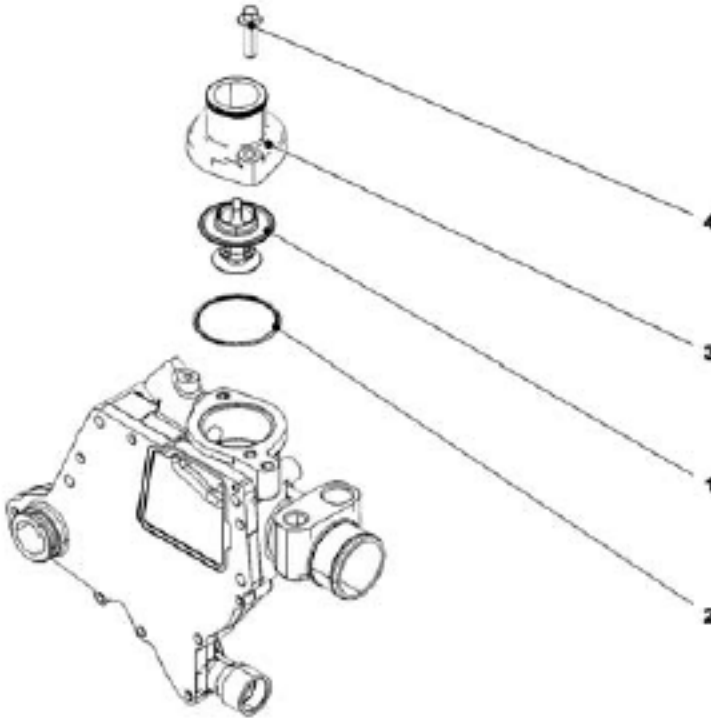
Year

2018



38 - 0512 4055

THERMOSTAT



NOTE

KEY NO.		PART NO.	DESCRIPTION	SPEC.	QTY.	REPAIR	ENG. SERIAL NO.	REMARKS
FIG 41		0512 4143			P1	Year		
RK74		0512 4058				2018		
		0512 4097						
		0512 4257						
41	001	0413 1891	PIPEWORK		1			
41	002	0413 1895	GASKET		2			
41	003	0114 9041	HEXAGON BOLT		4			20Nm
		0512 4097						
41	001	0413 1893	PIPEWORK		1			
41	002	0412 5434	SHUTTLE VALVE		1			
41	003	0413 1895	GASKET		2			
41	004	0413 1896	GASKET		1			
41	005	0118 1433	HEXAGON BOLT		7			
41	006	0413 1886	HOUSING/CASE		1			
41	007	0413 1887	CAP		1			
41	008	0118 1439	HEXAGON BOLT		4			
		0512 4143						
41	001	0413 3012	EGR-MODULE		1			WITH ITEM....
41	002	0413 0640	PLUG		1			
41	003	0114 9119	TORX-HEAD BOLT		1			20 Nm
41	004	0114 8954	TORX-HEAD BOLT		7			20 Nm
41	005	4130812	CONTROL VALVE		1			WITH ITEM....
41	006	0412 1175	O-SEAL		1			
41	007	0412 1155	O-SEAL		1			
41	242	0101 6105	MOUNTING DEVICE		1			
		0512 4257						
41	001	0413 3331	EXHAUST PIPE		1			
41	002	0413 1818	GASKET		1			
41	003	0491 0741	SPACER SLEEVE		5			
41	004	0413 3247	HEXAGON BOLT		6			42 Nm ,attend Workshop Manual
41	005	0413 3248	HEXAGON BOLT		2			42 Nm ,attend Workshop Manual
NOTE								

FIG 41

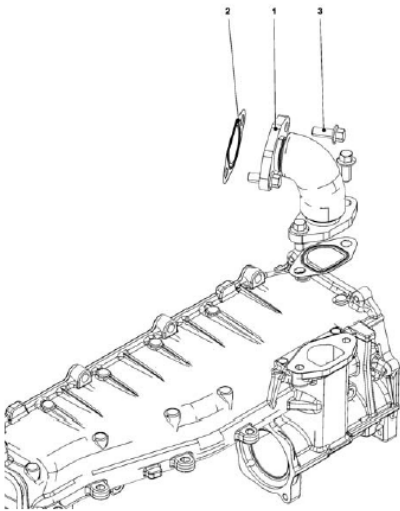
RK74

0512 4143
0512 4058
0512 4097
0512 4257

P1

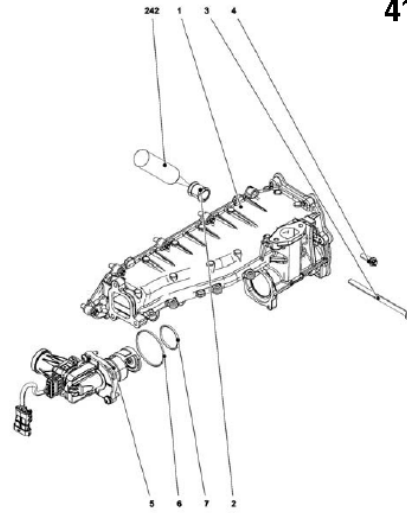
Year

2018



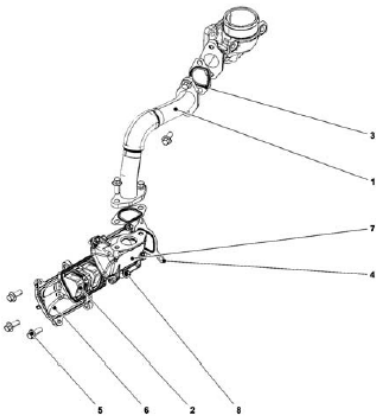
41 - 0512 4058

PIPE/LINE/LEAD



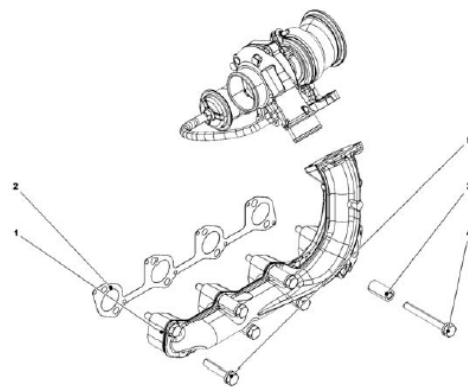
41 - 0512 4143

EGR-MODULE



41 - 0512 4097

PIPE/LINE/LEAD



41 - 0512 4257

EXHAUST MANIFOLD

NOTE

FIG 43

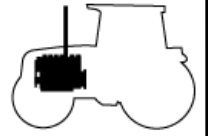
RK74

0512 4384

P1

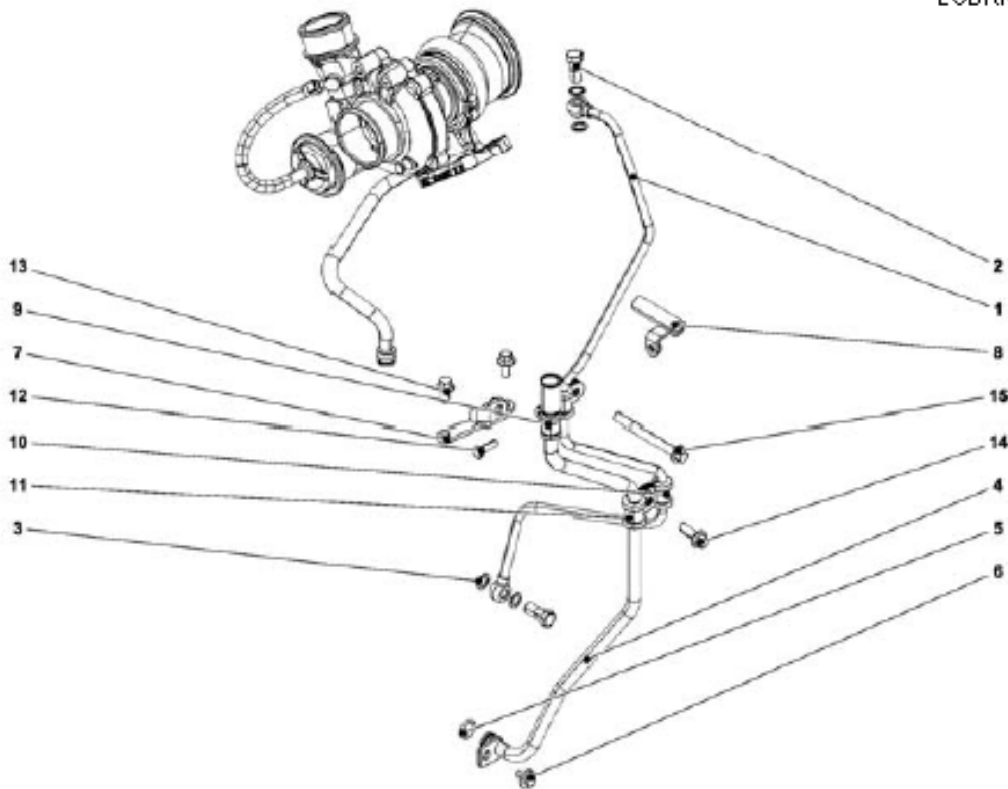
Year

2018



43 - 0512 4384

LUBRICAT. OIL LINE



NOTE

FIG 44

RK74

0512 4062
0512 4256
0512 4393
0512 4400

P1

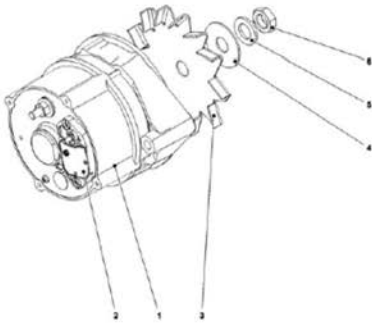
Year

2018



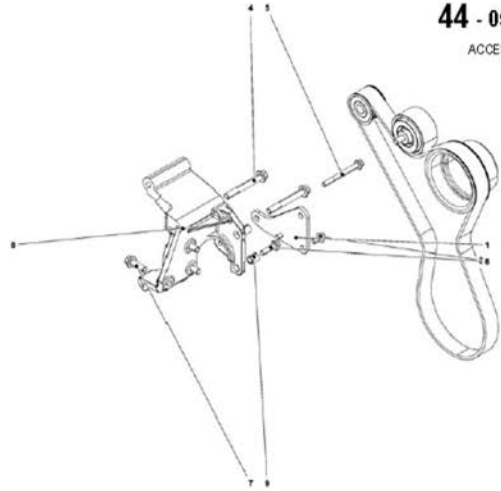
44 - 0512 4062

GENERATOR



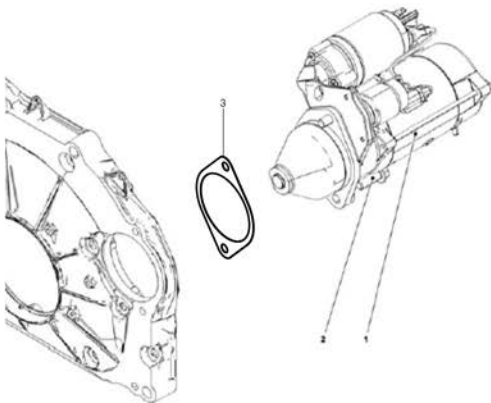
44 - 0512 4393

ACCESSORIES



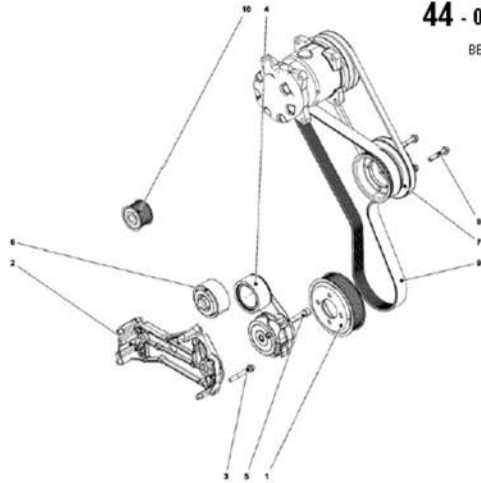
44 - 0512 4256

STARTER



44 - 0512 4400

BELT DRIVE



NOTE

KEY NO.		PART NO.	DESCRIPTION	SPEC.	QTY.	REPAIR	ENG. SERIAL NO.	REMARKS
		0511 7723						
48	001	0421 8154	PLUG IN CONNECTOR		1			4 polig
		05124011						
48	001	0421 8420	CABLE HARNESS		1			WITH ITEM....
48	002	0421 8711	PLUG IN CONNECTOR		1			X18
		0512 4098						
48	001	0421 5408	PLUG IN CONNECTOR		1			
		0512 4127						
	001	0421 6723	PLUG IN CONNECTOR		1			
		0512 4292						
48	001	0421 1037	CABLE HARNESS		1			(2-23)
48	002	0413 1765	RETAINING PLATE		1			
48	003	0421 3944	ADAPTER		1			
48	004	0118 3501	CHEESE HEAD SCREW		4			
48	005	0421 3943	FIXING BRACKET		1			
48	006	0421 6974	BRACKET		2			
48	007	0421 6798	PLUG-IN CONNECTOR		1			X17
48	008	0421 5404	PLUG-IN CONNECTOR		5			Y15.1, Y15.2, Y15.3, Y15.4, Y
48	009	0421 5409	PLUG-IN CONNECTOR		3			B43, B40.1, B40.2
48	010	0421 5412	PLUG-IN CONNECTOR		1			B49
48	011	0421 5403	PLUG-IN CONNECTOR		1			B48
48	012	0421 6073	PLUG-IN CONNECTOR		1			Y20
48	013	0421 5408	PLUG-IN CONNECTOR		2			B6, B51
48	014	0421 4077	CLAMPING BAND		8			
48	015	0421 3120	FIXING CLIP		1			
48	016	0419 9421	BRACKET		1			
48	017	0421 6271	SUPPORT		1			
48	018	0421 7807	WIRE FASTENER		1			
48	019	0421 4334	CLAMPING BAND		4			
48	021	0421 6072	PLUG-IN CONNECTOR		1			K15
48	022	0421 3653	CAP		1			
48	023	0421 6135	CLAMPING BAND		1			
NOTE								

FIG 48

RK74

0511 7723

0512 4011

0512 4127

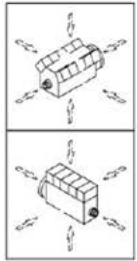
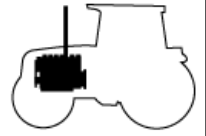
0512 4098

0512 4292

P1

Year

2018



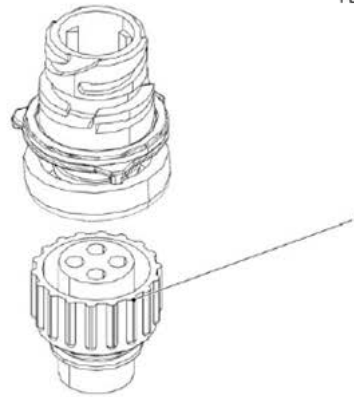
48 - 0511 7723

ATTACHMENT PLUG



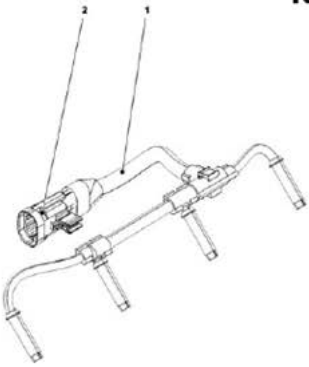
48 - 0512 4098

PLUG-IN CONNECTOR



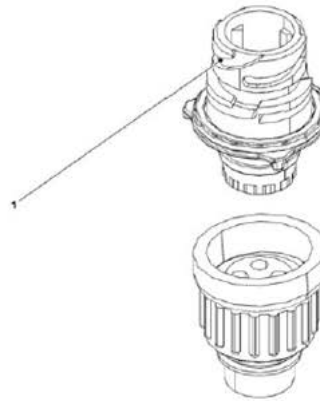
48 - 0512 4011

CABLE HARNESS



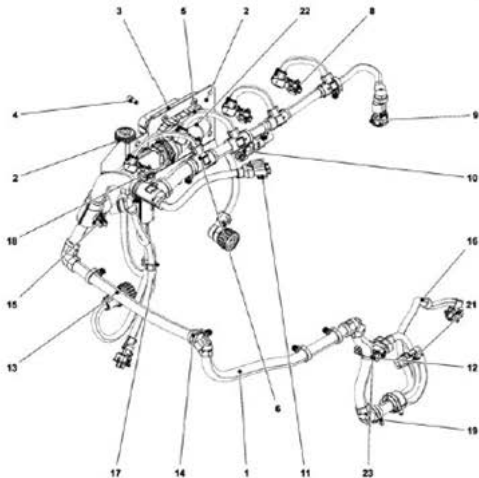
48 - 0512 4127

PLUG-IN CONNECTOR



48 - 0512 4292

CABLE HARNESS



NOTE

FIG 48

RK74

0512 4128 0512 4293
0512 4334 0512 4338
0512 4343

P1

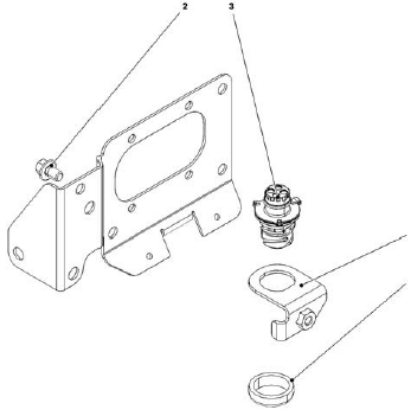
Year

2018



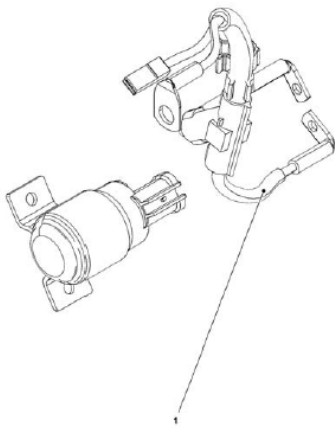
48 - 0512 4128

PLUG-IN CONNECTOR



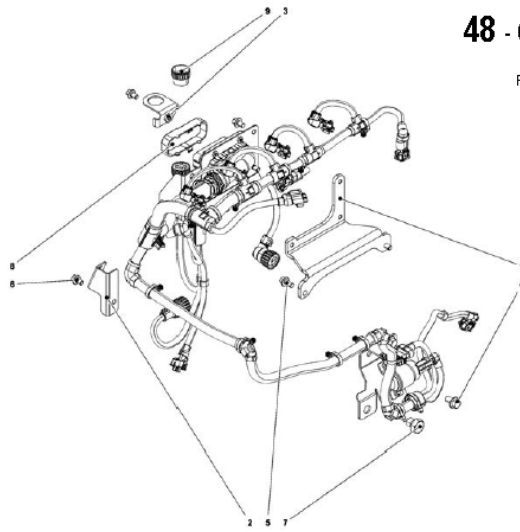
48 - 0512 4293

CONNECTING PIPE



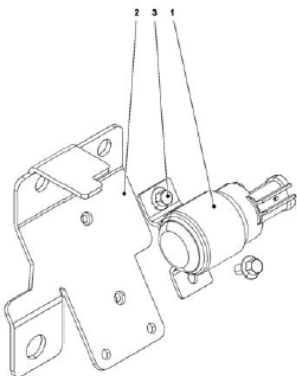
48 - 0512 4338

FASTENINGS



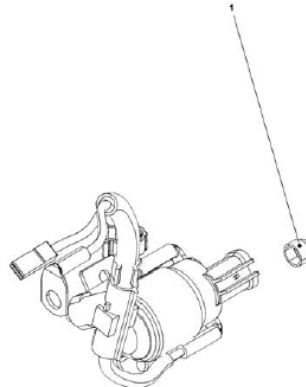
48 - 0512 4334

RELAY



48 - 0512 4343

PROTECTING CAP



NOTE

FIG 51

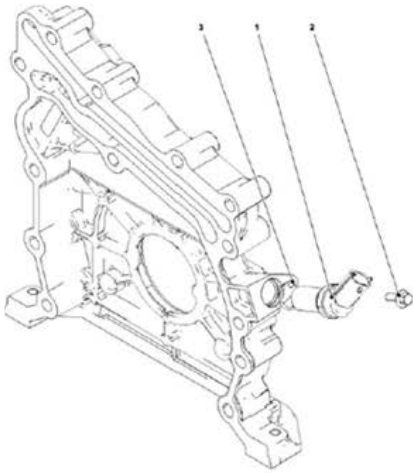
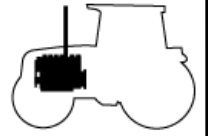
RK74

0512 4060 0512 4104
0512 4300
0512 4329

P1

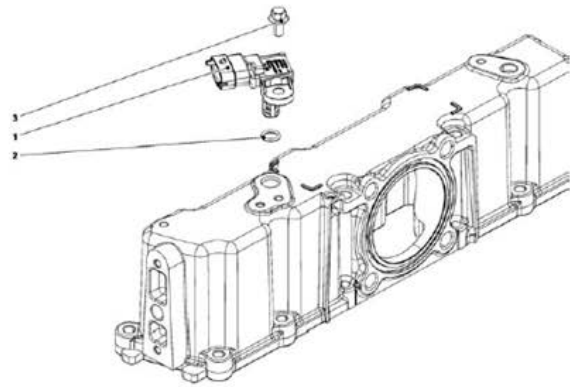
Year

2018



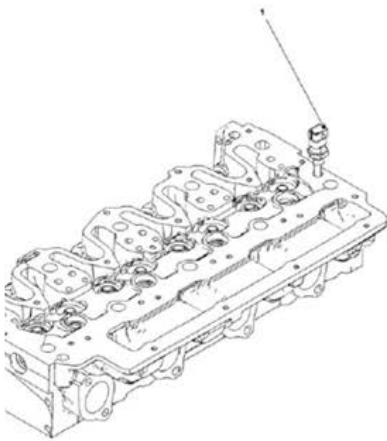
51 - 0512 4060

TACHO-GENERATOR



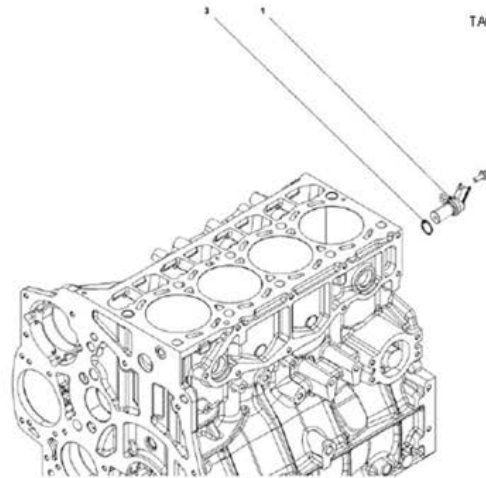
51 - 0512 4329

SENSOR



51 - 0512 4104

TEMPER. TRANSMITTER



51 - 0512 4300

TACHO-GENERATOR

NOTE

FIG 63

RK74

0512 4010

P1

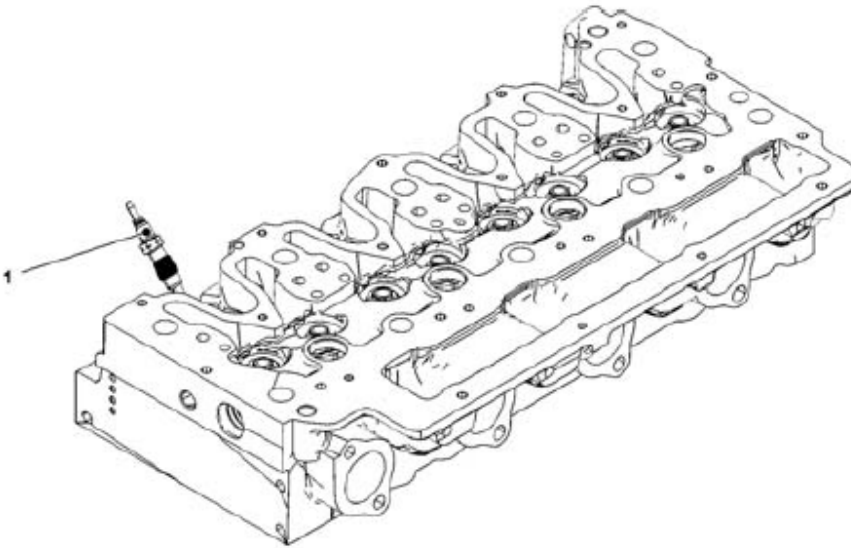
Year

2018



63 - 0512 4010

GLOW PLUG



NOTE

FIG 83

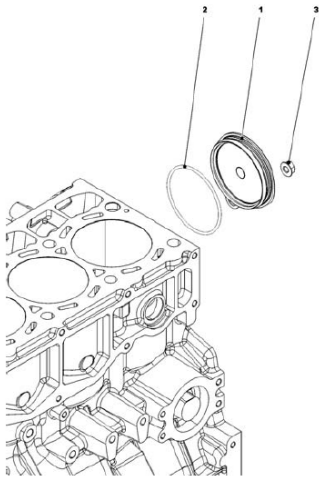
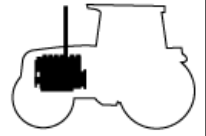
RK74

0512 4176	0512 4180
0512 4251	0512 4337
0512 4339	0512 4340
0512 4344	

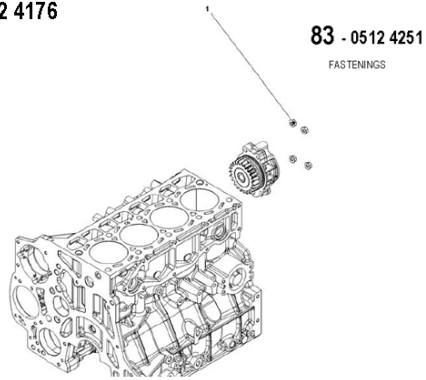
P1

Year

2018



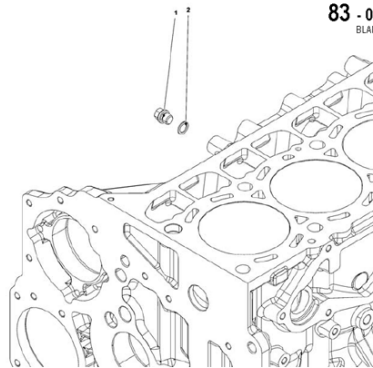
83 - 0512 4176
COVER



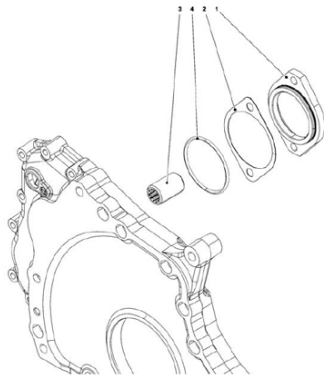
83 - 0512 4251
FASTENINGS



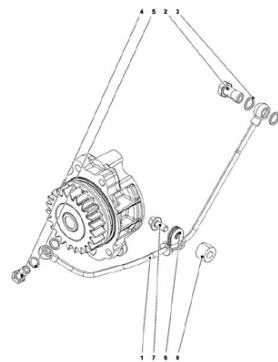
83 - 0512 4180
O-SEAL



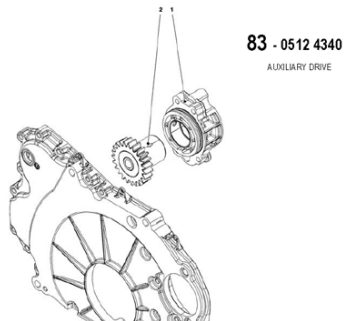
83 - 0512 4337
BLANKING PARTS



83 - 0512 4339
ADAPTERFLANSCH



83 - 0512 4344
LUBRICAT. OIL LINE



83 - 0512 4340
AUXILIARY DRIVE

NOTE

FIG 90

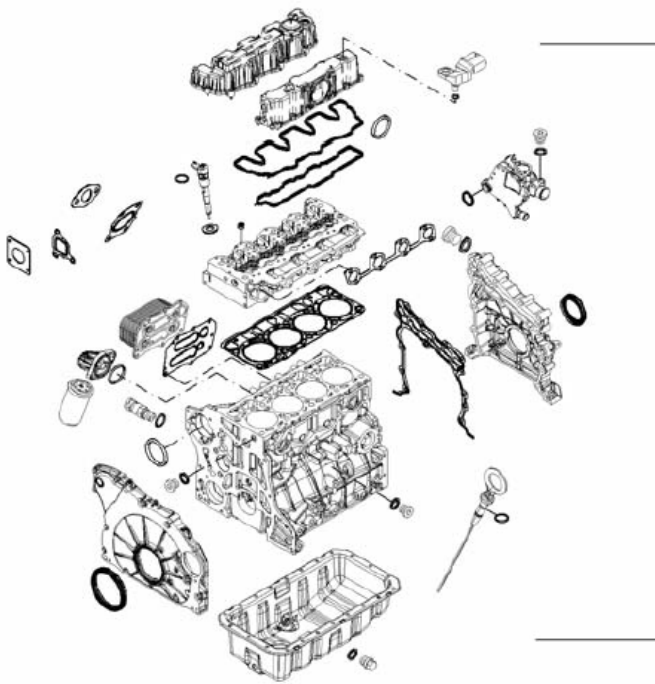
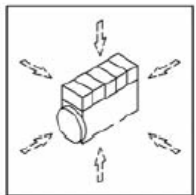
RK74

0512 4355

P1

Year

2018



90 - 0512 4355

GASKET SET

1

NOTE

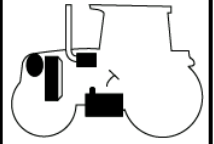
FIG 201

AIR CLEANER

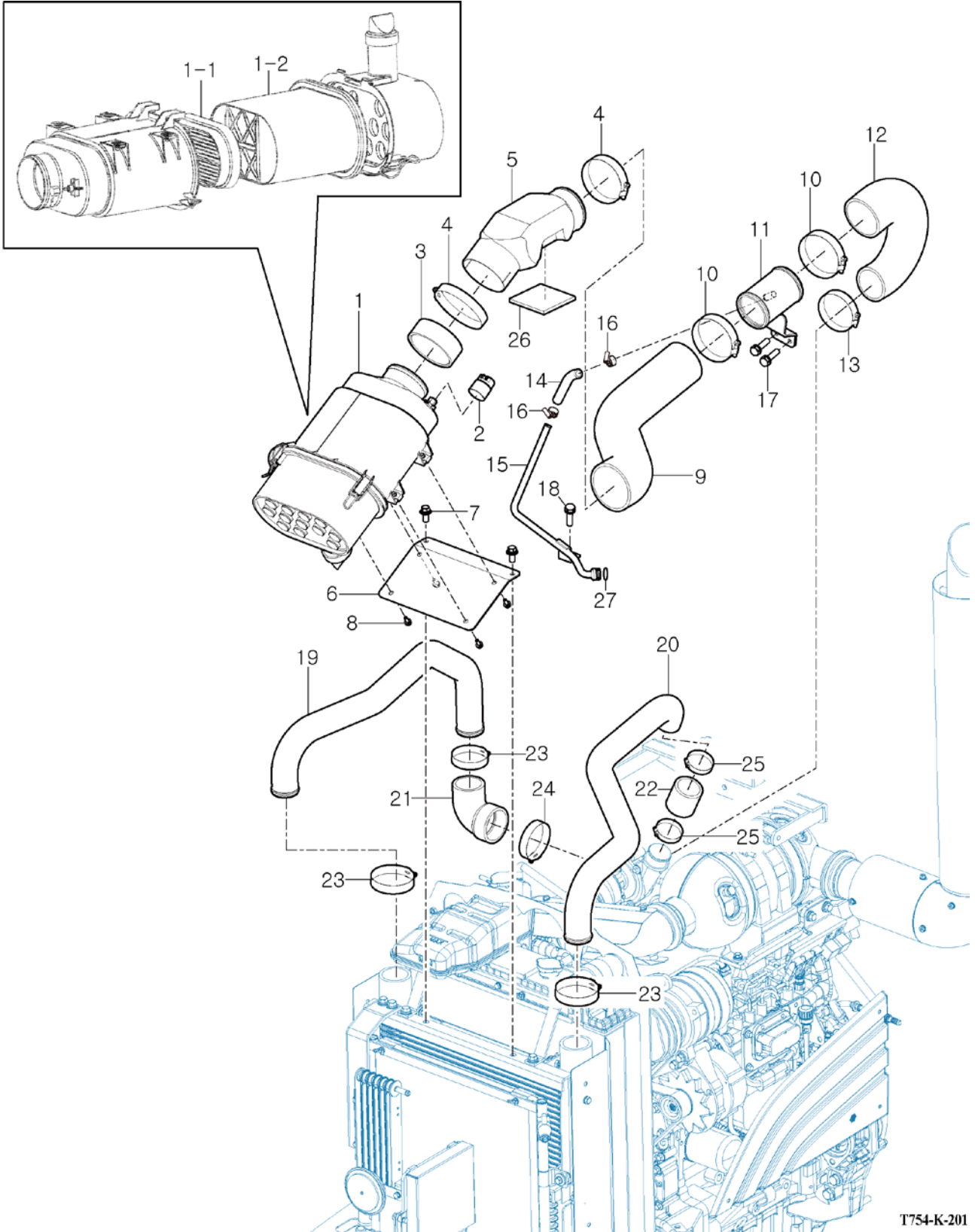
Year

P1

2018



RK74



T754-K-201

NOTE

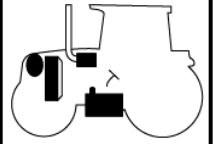
FIG 202

RADIATOR

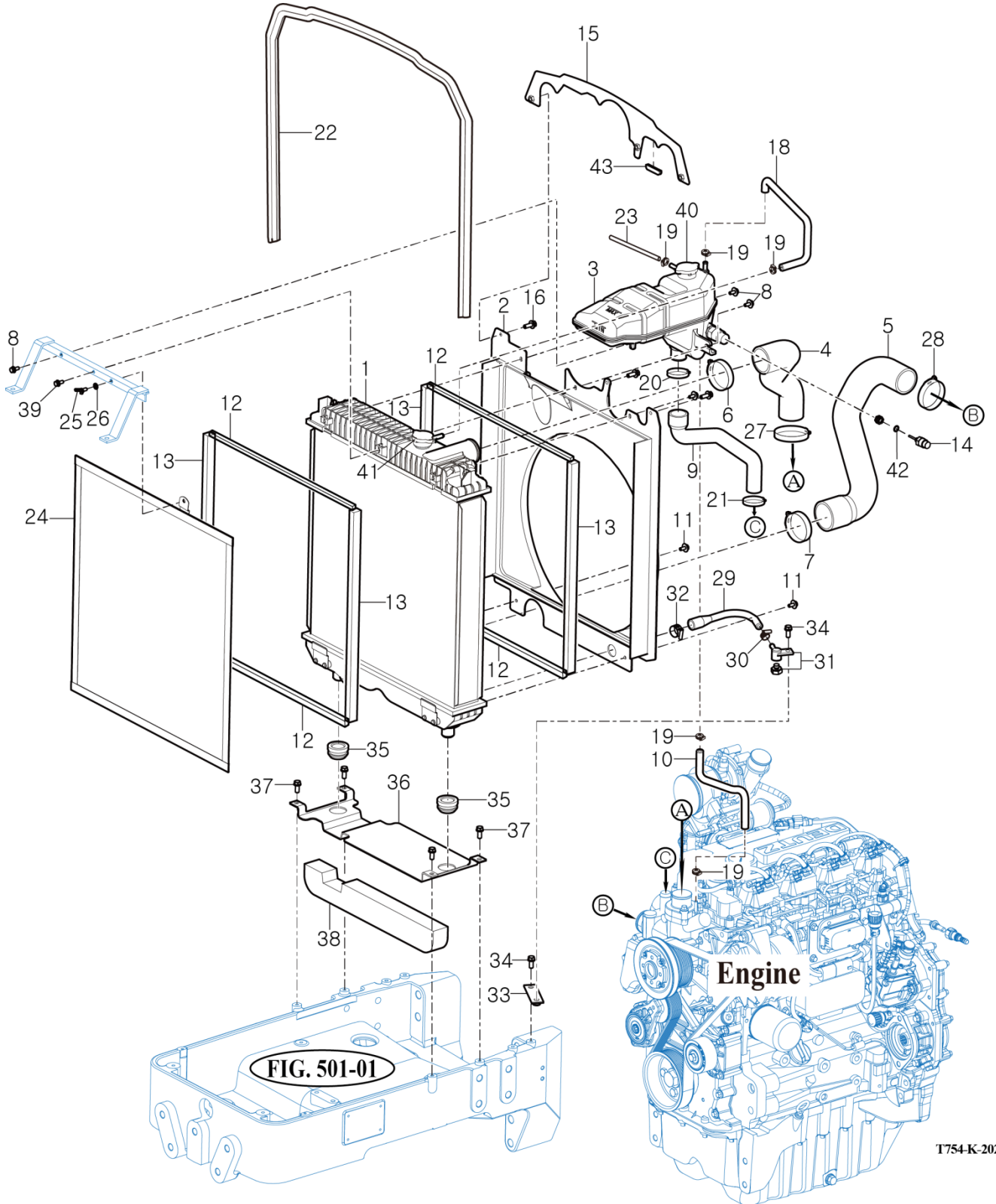
Year

P1

2018



RK74



T754-K-202

NOTE

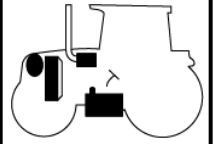
FIG 204

FUEL TANK

P1

Year

2018



RK74

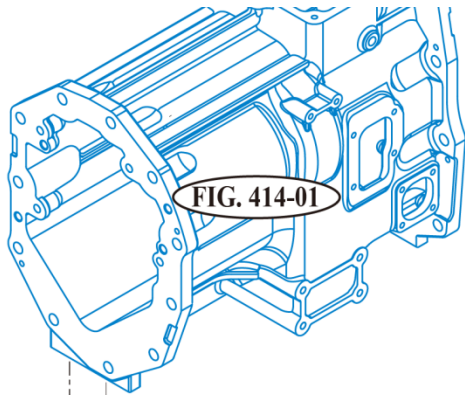
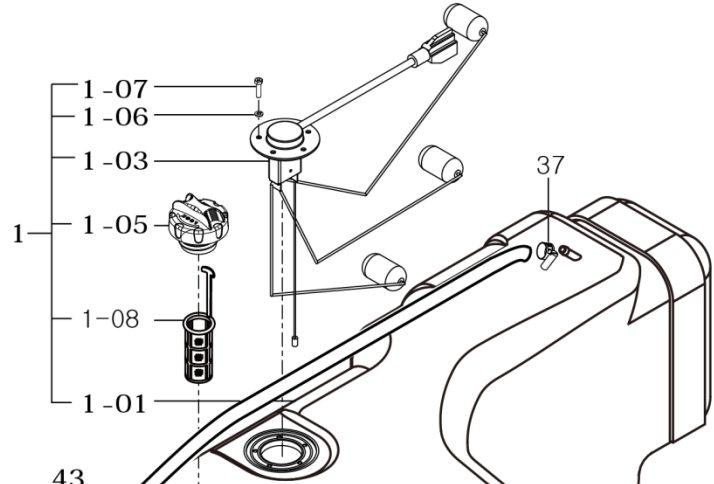
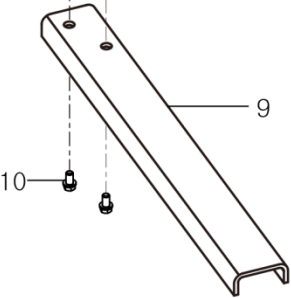


FIG. 414-01



10



42

38



FIG. 702-23

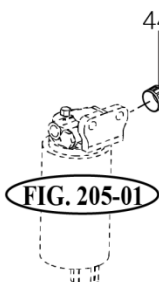
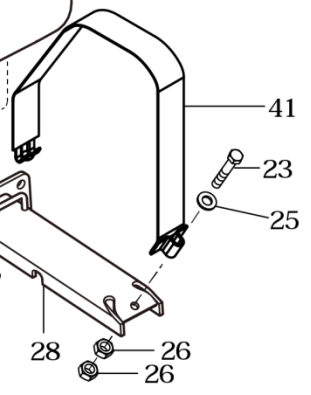
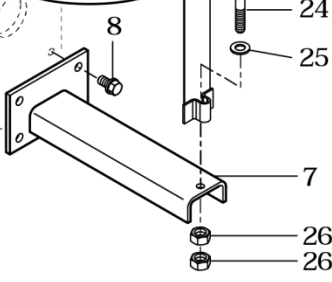


FIG. 205-01

FIG. 705-01



T754-K-204

NOTE

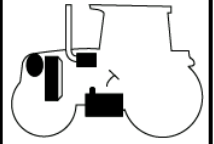
FIG 205

FUEL FILTER & FUEL PUMP

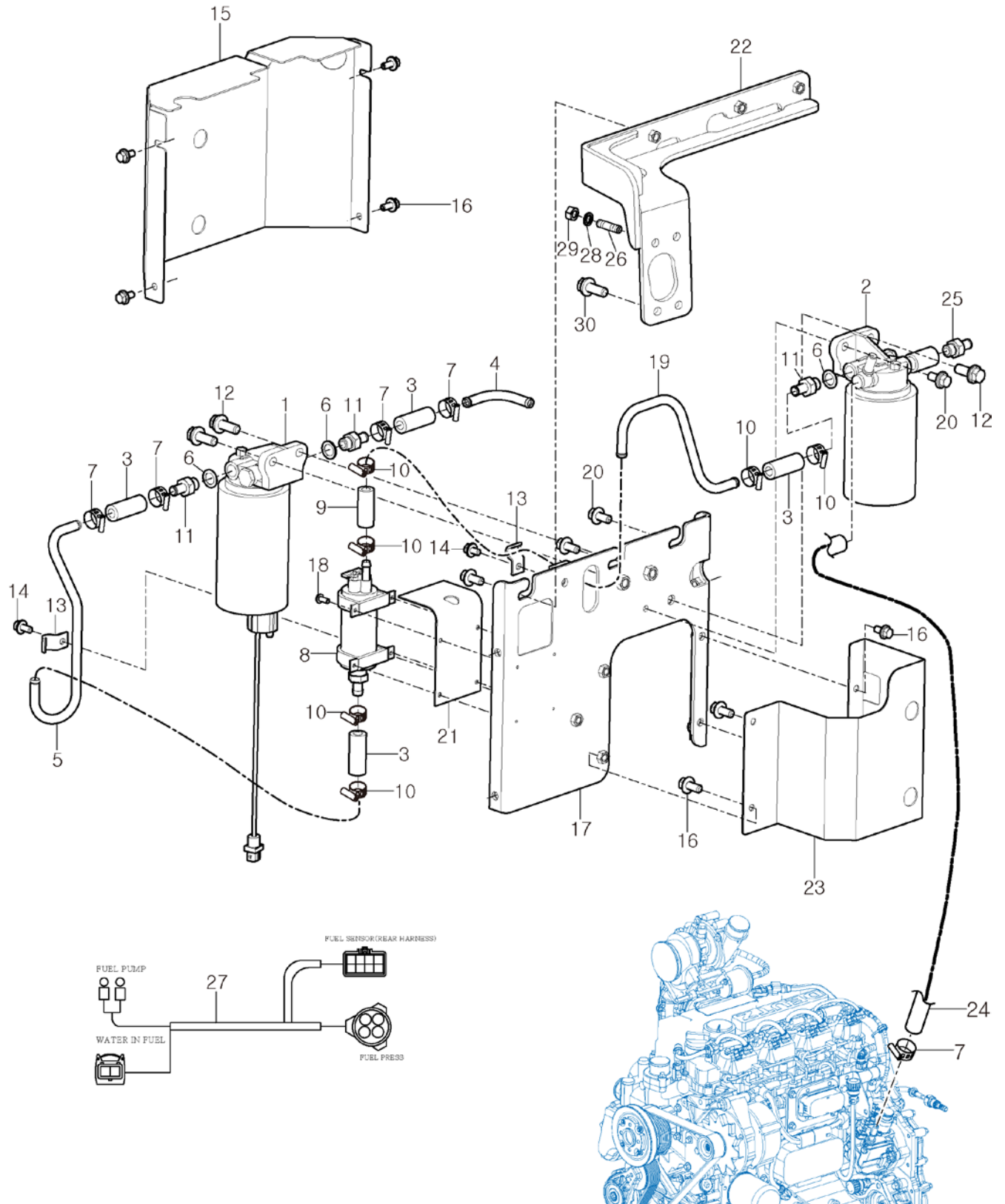
P1

Year

2018



RK74



NOTE

FIG 206

RK74

OIL COOLER

P1

Year

2018

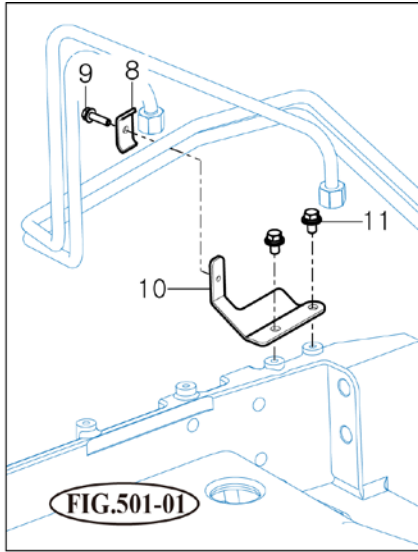
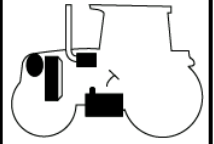


FIG.501-01

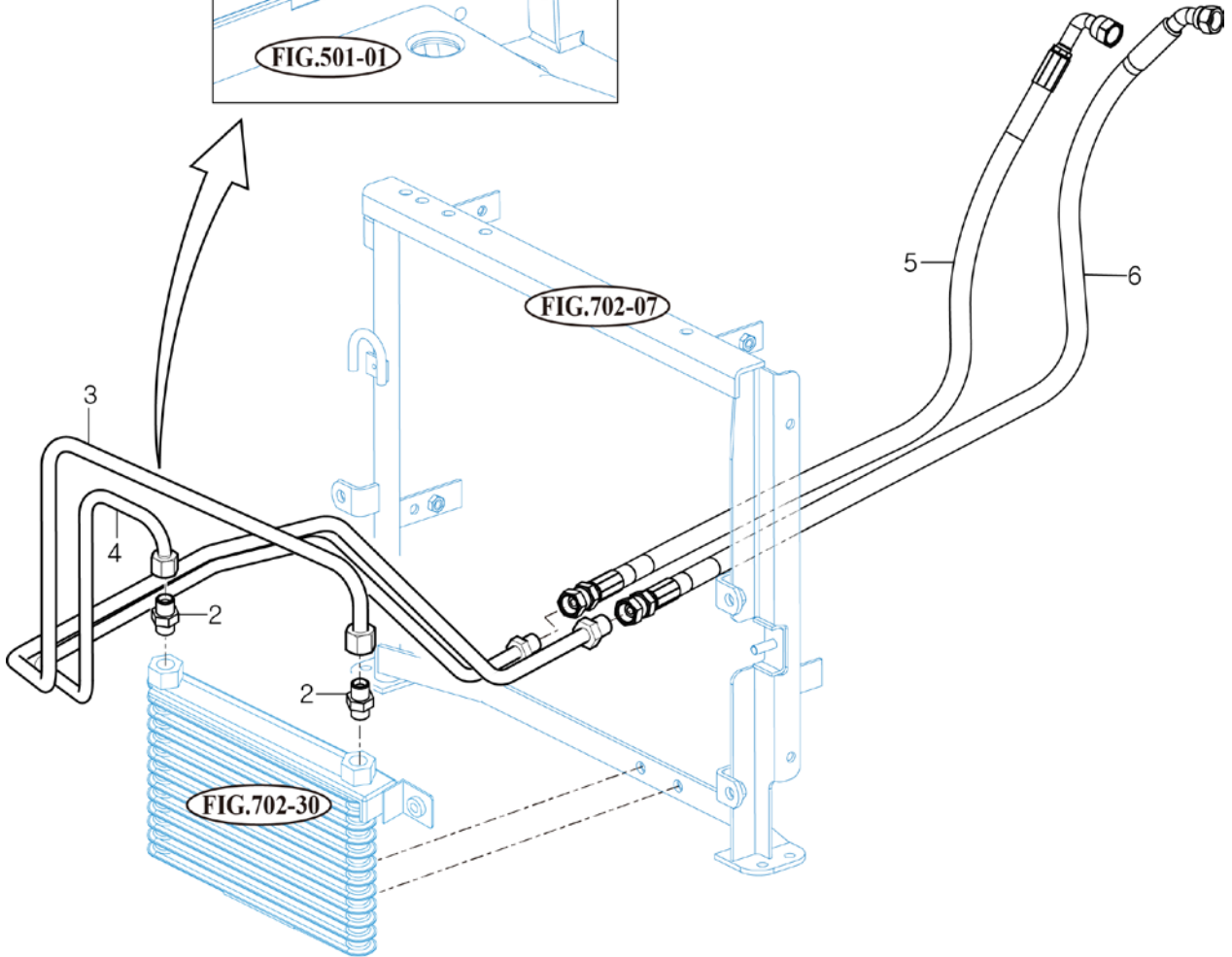


FIG.702-07

FIG.702-30

X750QP-K-207

NOTE

FIG 301

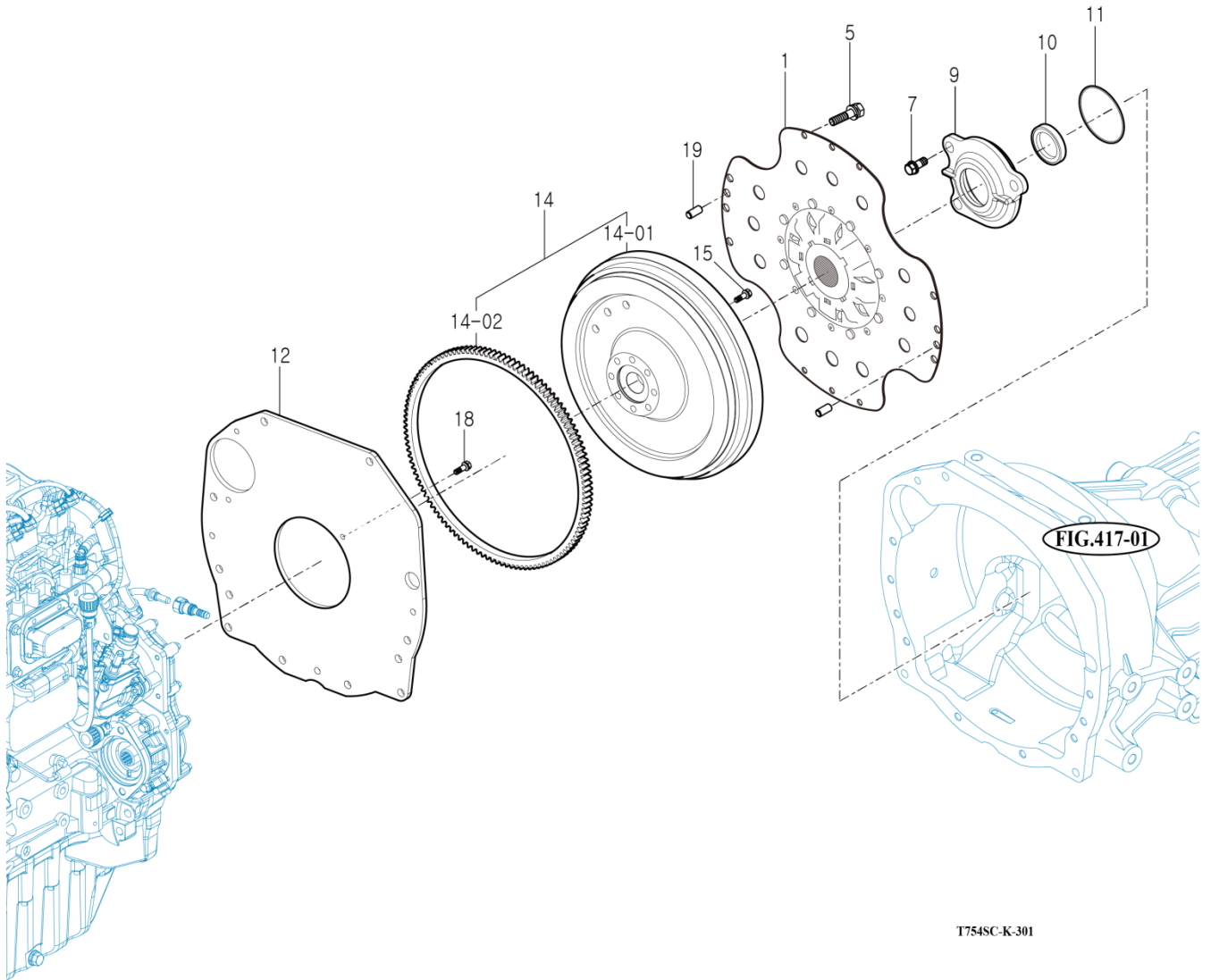
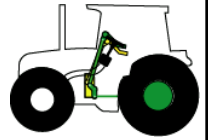
RK74

CLUTCH

P1

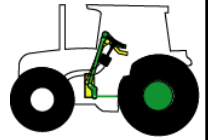
Year

2018

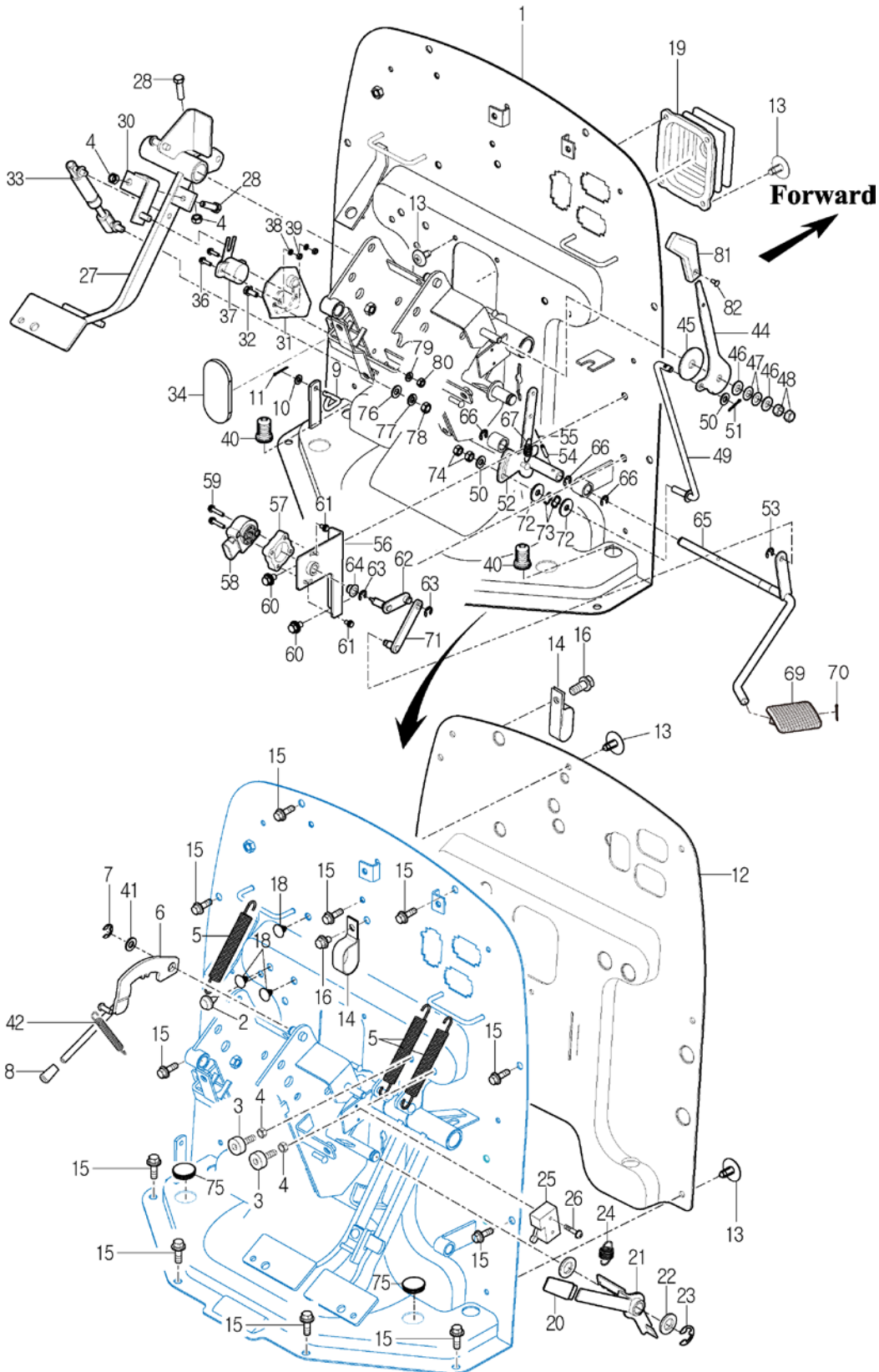


T754SC-K-301

NOTE

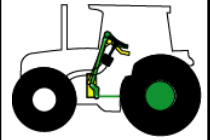


RK74

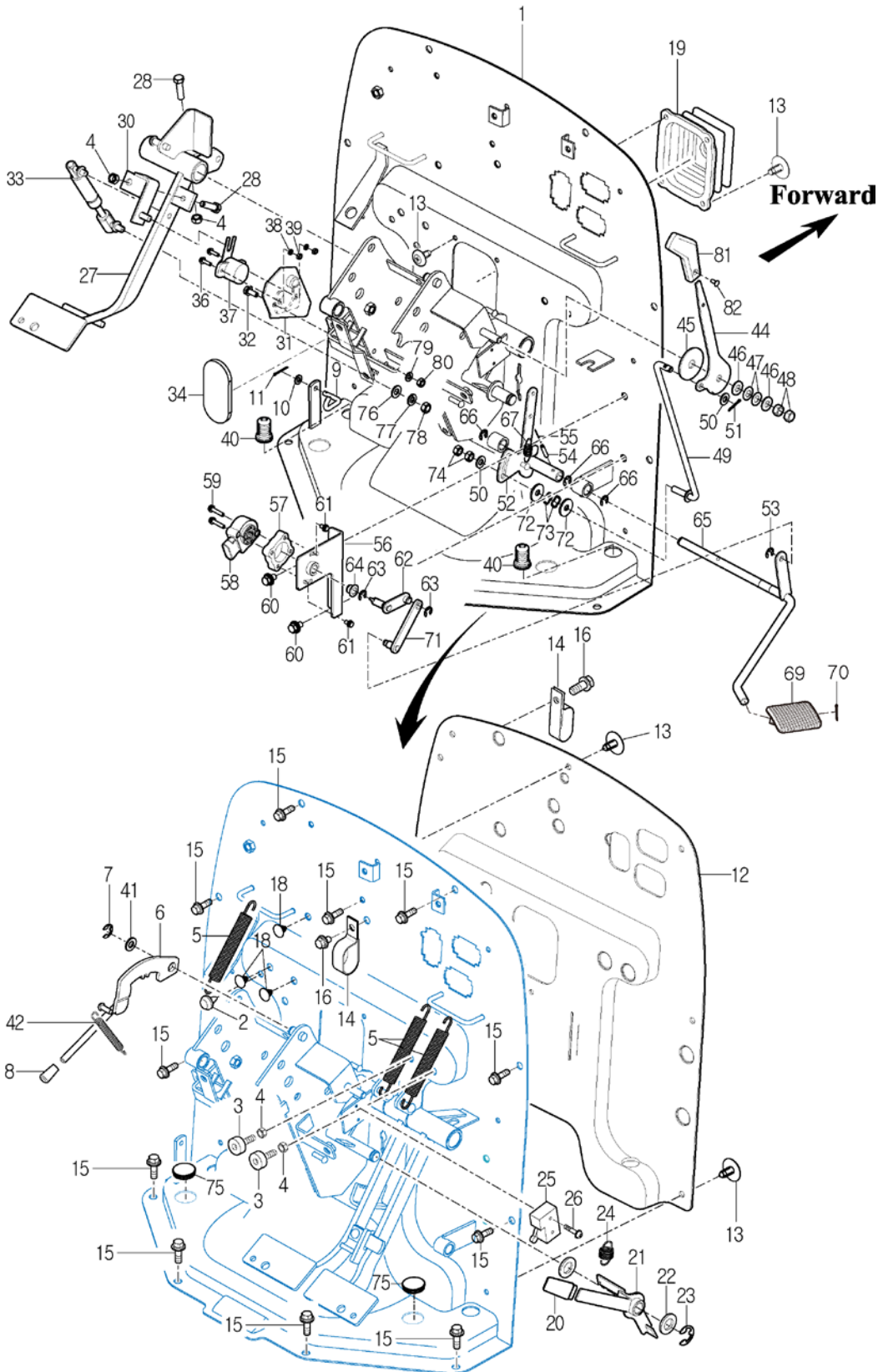


NOTE

FIG 302		CLUTCH PEDAL				P1	Year	
RK74							2018	
KEY NO.	PART NO.	DESCRIPTION	SPEC.	QTY.	REPAIR	EFFECTIVE DATE	REMARKS	
302 001	15736304200GB	PANEL COMP , DASH		1				
302 002	14326160020	RUBBER , CUSHION		1				
302 003	14216020051	RUBBER , CUSHION B		2				
302 004	V3043600080	NUT , HEX/2	M8	4				
302 005	14041200080	RETURN SPRING , CLUTCH	D=2.3	3				
302 006	14724042401GB	LEVER COMP , TILT		1				
302 007	V7081400090	E-RING		1				
302 008	21615250020	GRIP , LEVER/RED		1				
302 009	15441230050	ROD		1				
302 010	V4111600060	WASHER , PLAIN	M6	1				
302 011	V5001920020	PIN , SPLIT	2X20	1				
302 012	18027071991	INSULATOR,DASH		1				
302 013	17686040020	RIVET SET , black	SV302	13				
302 014	14441010161	CLAMP , RADIATOR HOSE		2				
302 015	V2183608016	BOLT , HEX/SP	M8X16	10				
302 016	V2183608020	BOLT , HEX/SP	M8X20	2				
302 018	15276040020	CLIP , TRIM		3				
302 019	19996300010	BOOT,STEERING/HOSE		1				
302 020	34523030020	GRIP , THROTTLE		1				
302 021	14523293301GB	LEVER COMP,PARKING		1				
302 022	V4111600160	WASHER , PLAIN		1				
302 023	V7081400150	E-RING		1				
302 024	14321200040	SPRING , TENSION 31		1				
302 025	16756214701	SWITCH ASSY,SAFETY		1				
302 026	V1222604025	SCREW , C/R PAN/SP		2				
302 027	19991332100GB	PEDAL COMP , CLUTCH		1				
302 028	V2013608030	BOLT , HEX	M8X30	2				
302 030	14541332400	PLATE COMP , SENSOR PIN		1				
302 031	14546303400	PLATE COMP , SENSOR		1				
302 032	V2113606016	BOLT , HEX /S		1				
302 033	14541332200	DAMPER ASSY , CLUTCH		1				
302 034	14546301230	INSULATOR , CLUTCH PEDAL		1				
302 036	V1222604016	SCREW , C/R PAN/SP		2				
302 037	14545300020	POTENTIOMETER ASSY		1				
302 038	V4011600040	WASHER , SPRING		2				
302 039	V3002600040	NUT , HEX/1		2				
302 040	14521160090	BOOT , BRAKE ROD		2				
302 041	V4111600120	WASHER , PLAIN		1				
302 042	16001200080	RETURN SPRING , BRAKE		1				
302 044	19991162111	PLATE , THROTTLE LEVER		1				
302 045	14141170050	LINING , 13X50X3		1				
302 046	V4111600100	WASHER , PLAIN		2				
302 047	14527060010	WASHER , JERBSI SPRING/10		1				
302 048	V3342600100	NUT , HEX FINE/2		1				
302 049	17461162500	ROD COMP , THROTTLE		1				
302 050	V4111600080	WASHER , PLAIN		2				
302 051	V5001920020	PIN , SPLIT		1				
NOTE								



RK74



NOTE

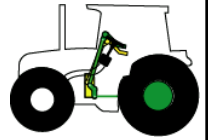
FIG 303

BRAKE PEDAL & LINK

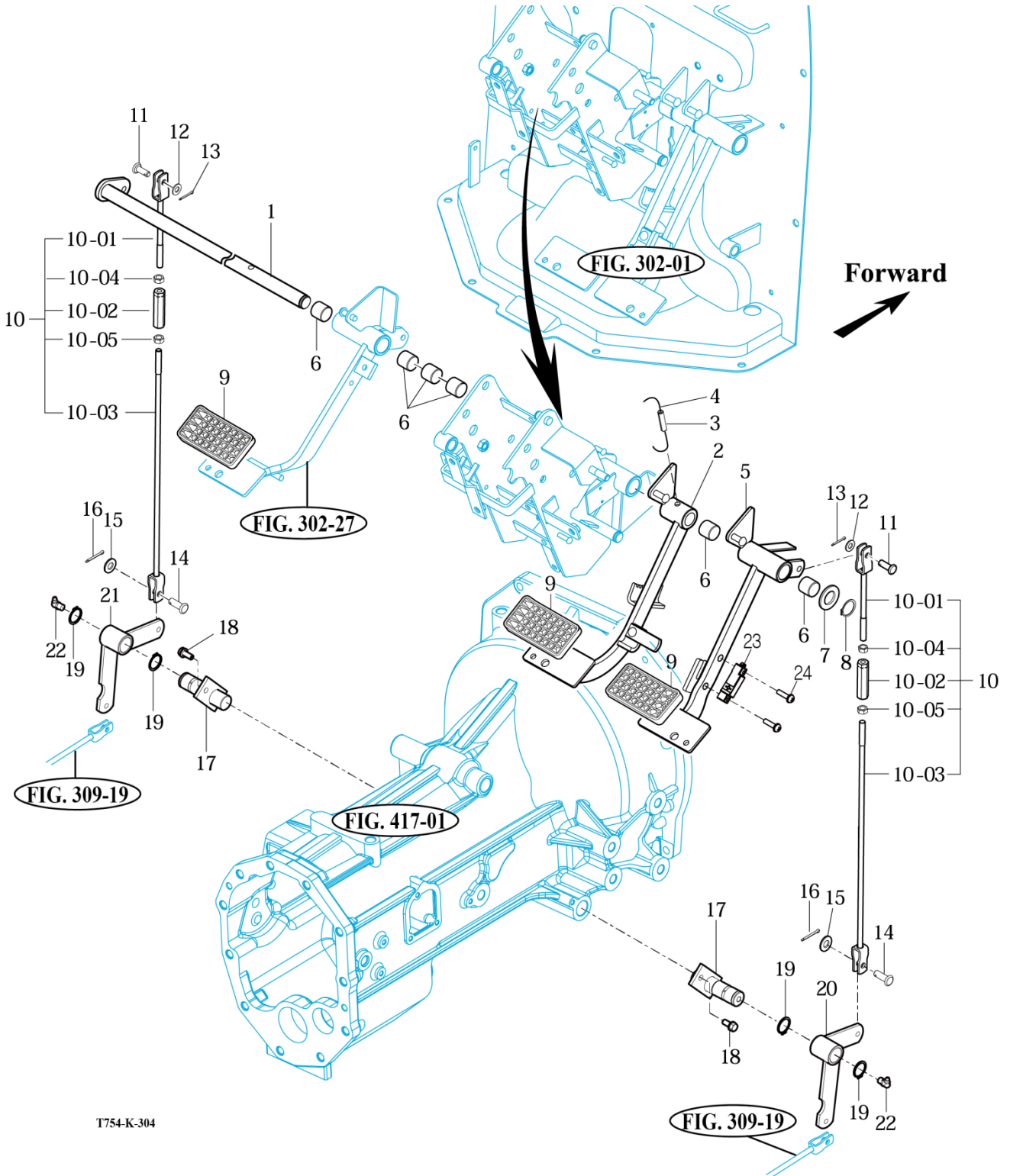
P1

Year

2018



RK74



T754-K-304

NOTE

FIG 304

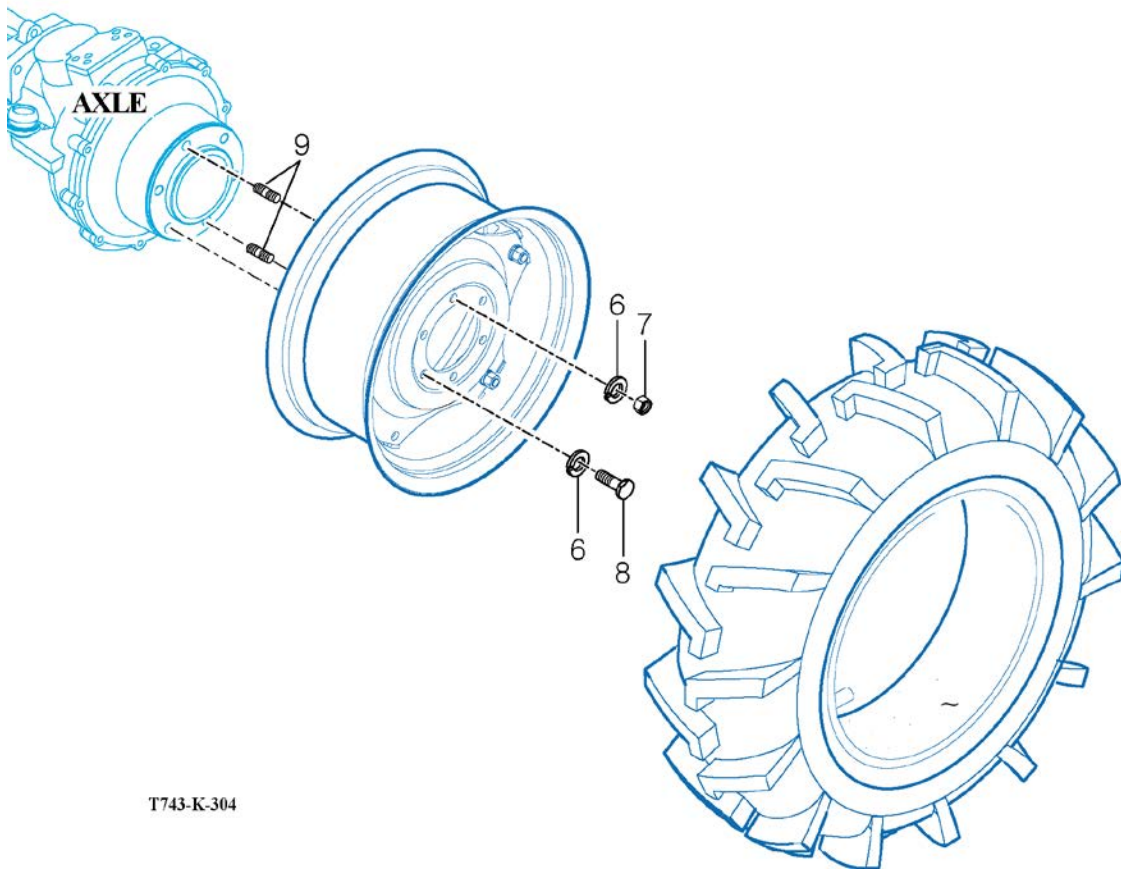
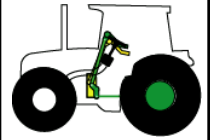
RK74

FRONT WHEEL

P1

Year

2018



NOTE

FIG 305

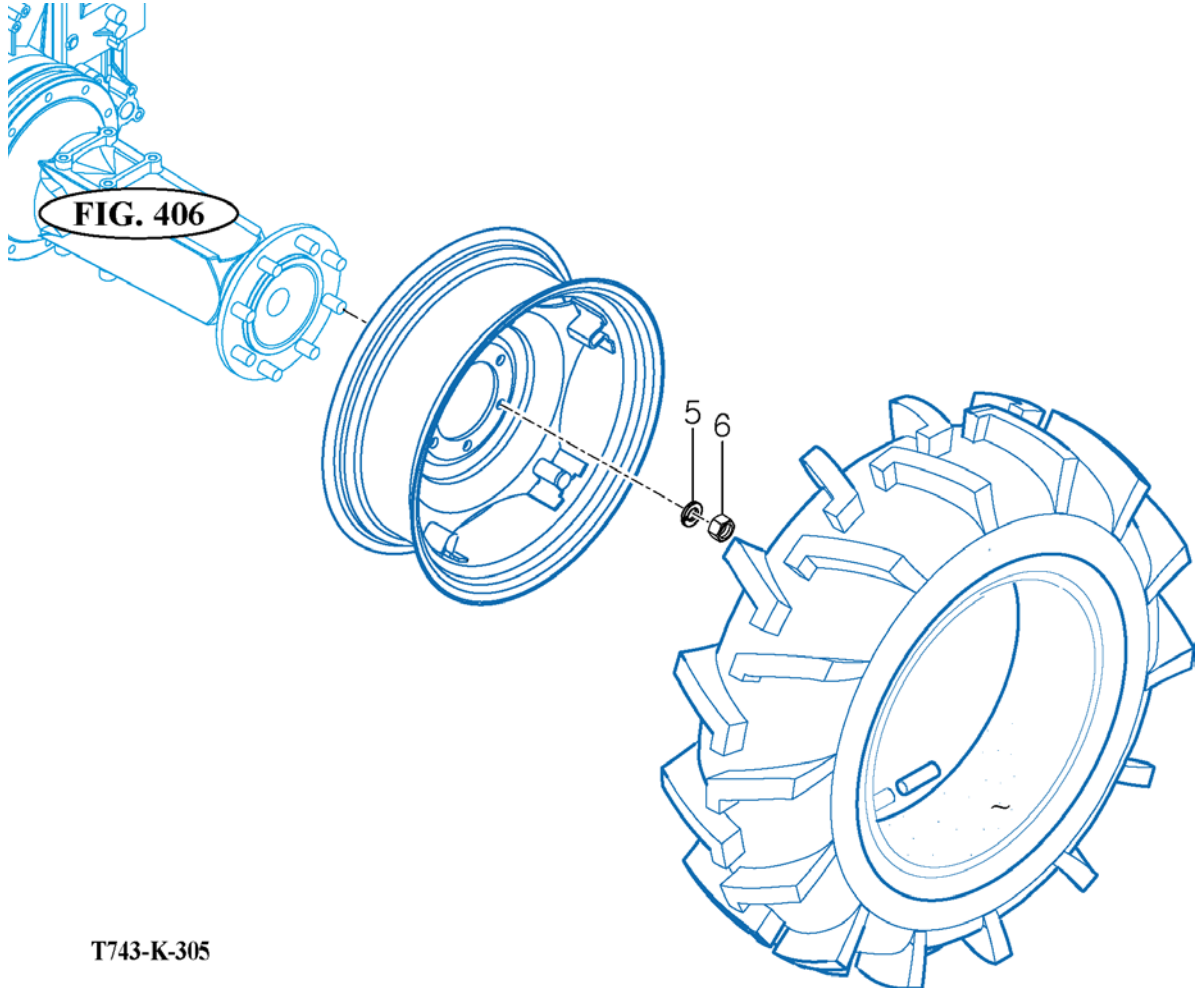
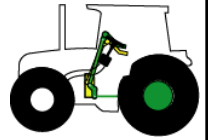
RK74

REAR WHEEL

P1

Year

2018



T743-K-305

NOTE

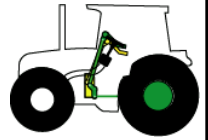
FIG 306

POWER STEERING WHEEL

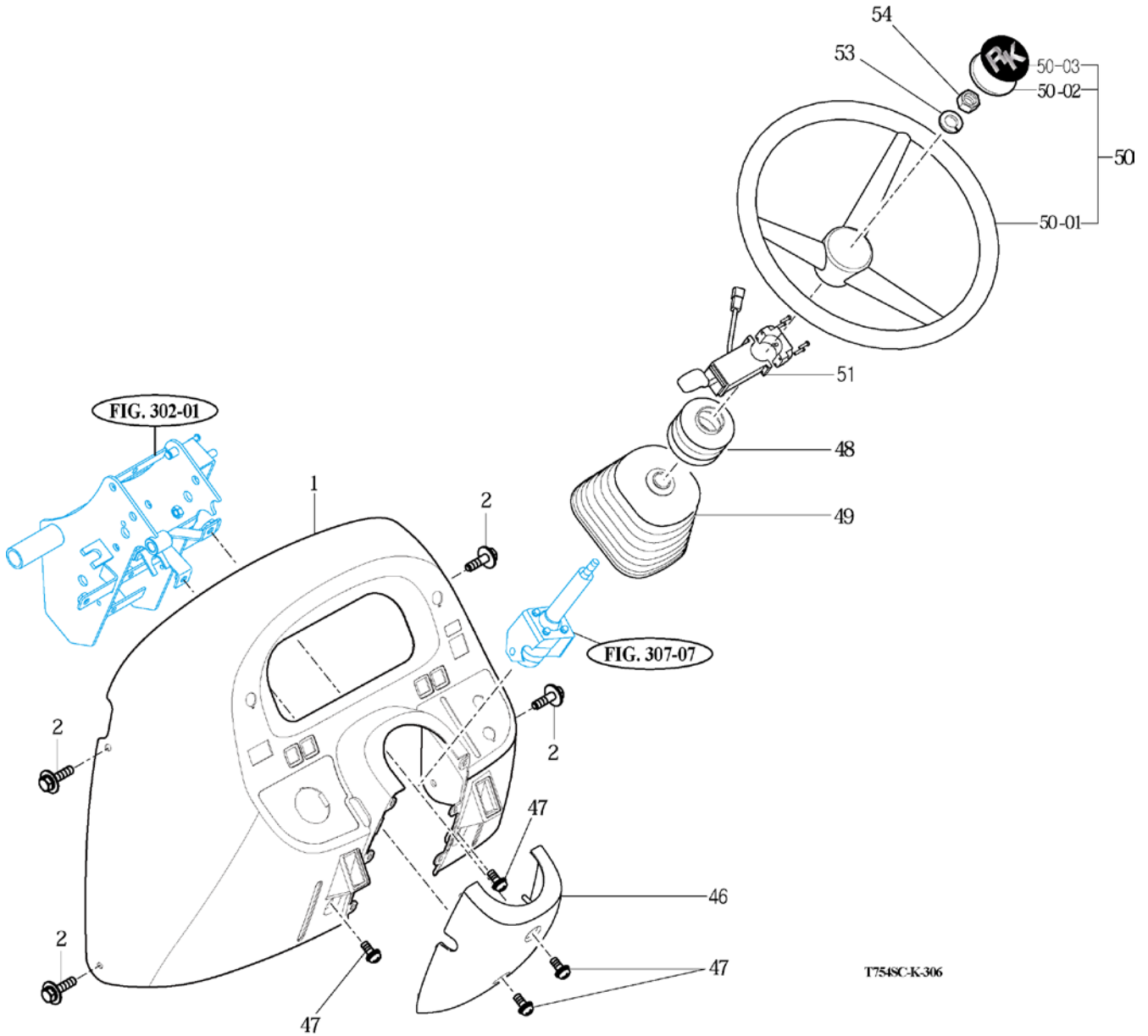
P1

Year

2018



RK74



T754SC-K-306

NOTE

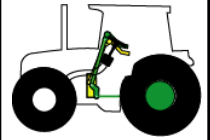
FIG 308

POWER STEERING CYLINDER

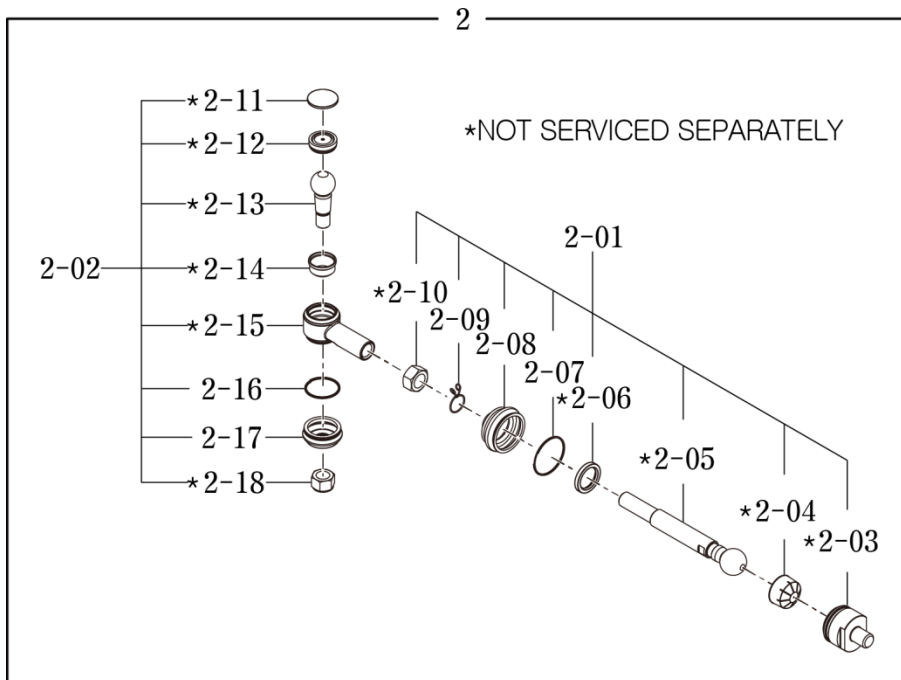
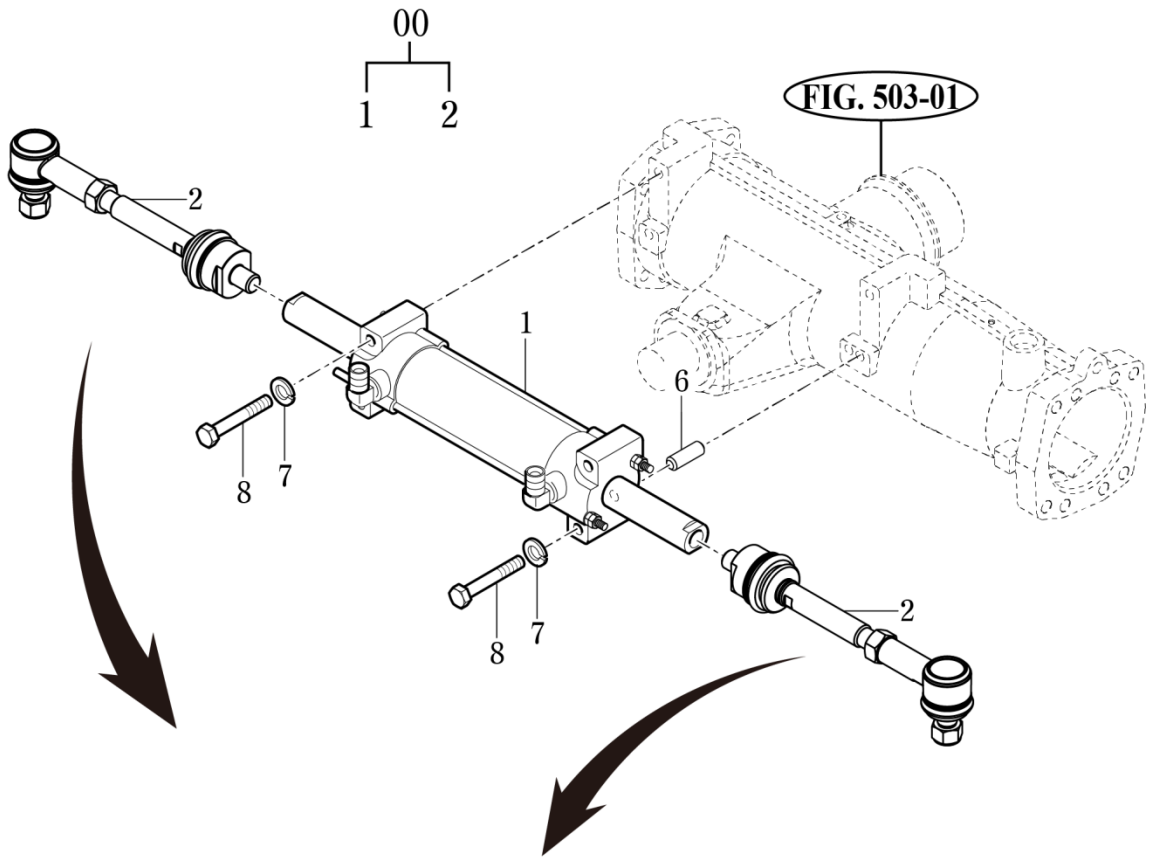
P1

Year

2018



RK74



TX553/653/703-K-309

NOTE

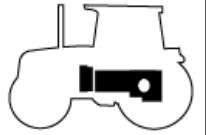
FIG 401

CASE , RR TRANSMISSION

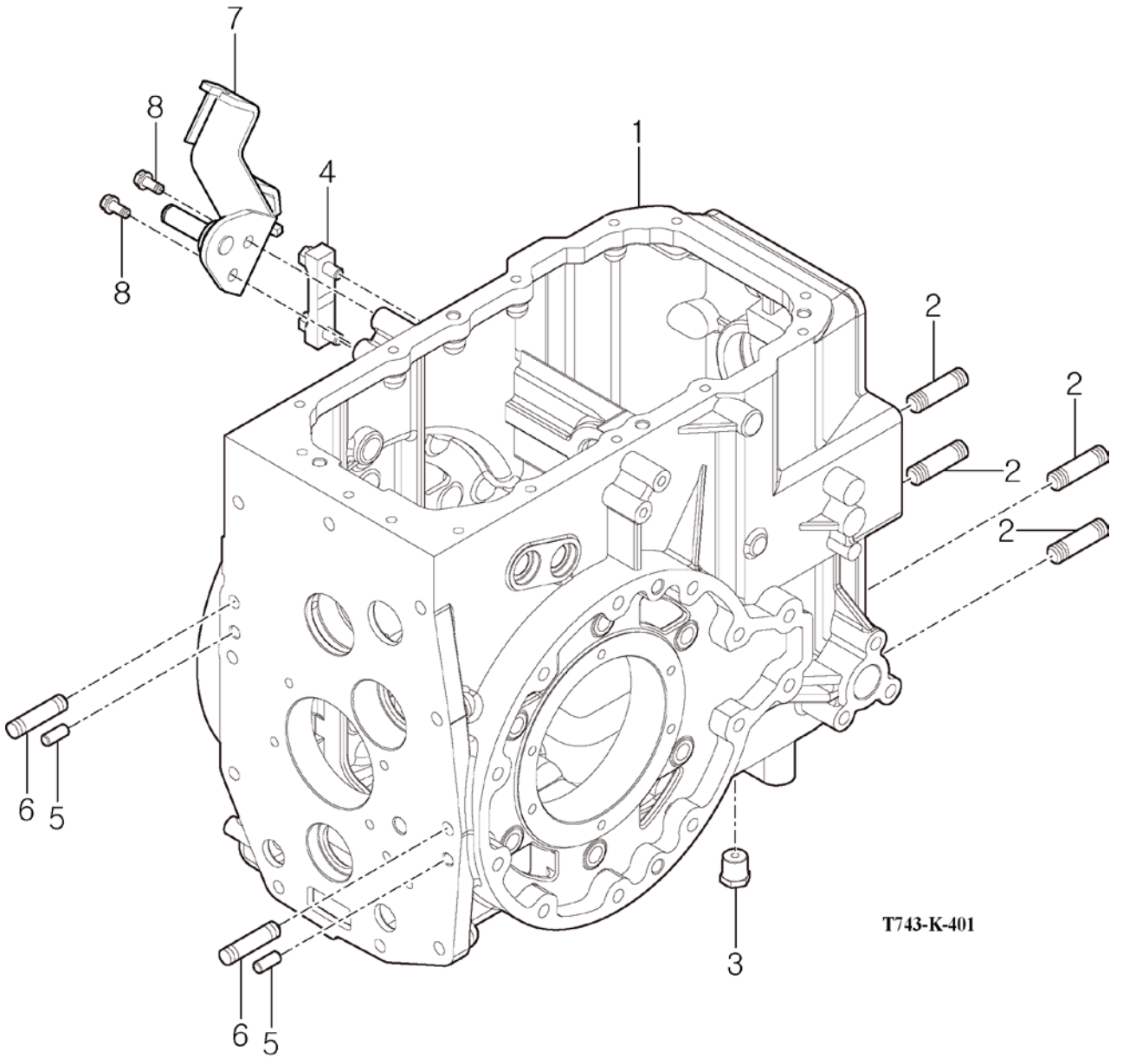
P1

Year

2018



RK74



T743-K-401

NOTE

FIG 402

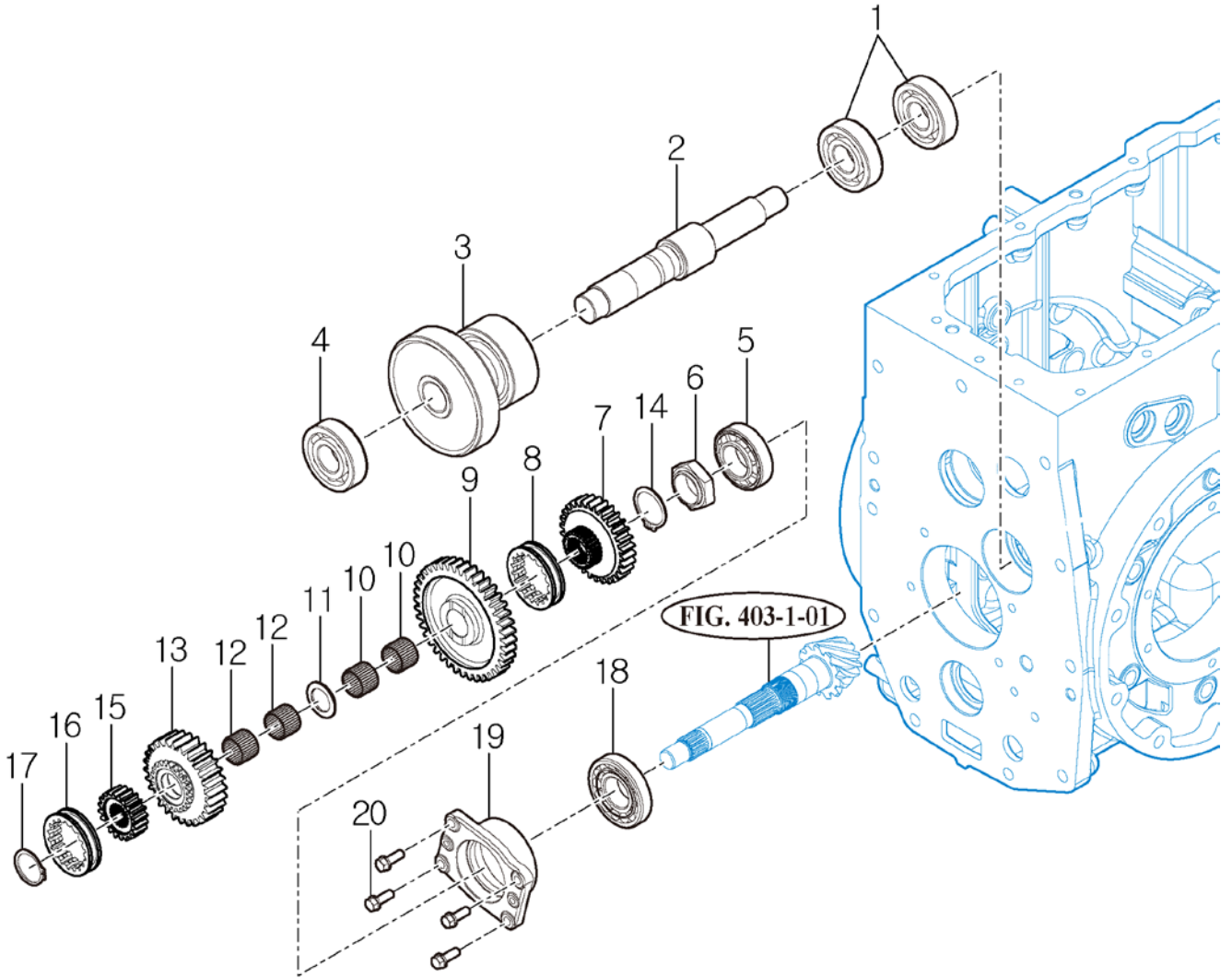
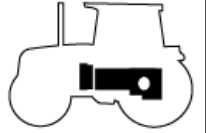
RK74

SUB CHANGE GEARS

P1

Year

2018



T754SC-K-402

NOTE

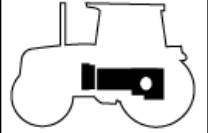
FIG 403

REAR DIFFERENTIAL GEARS

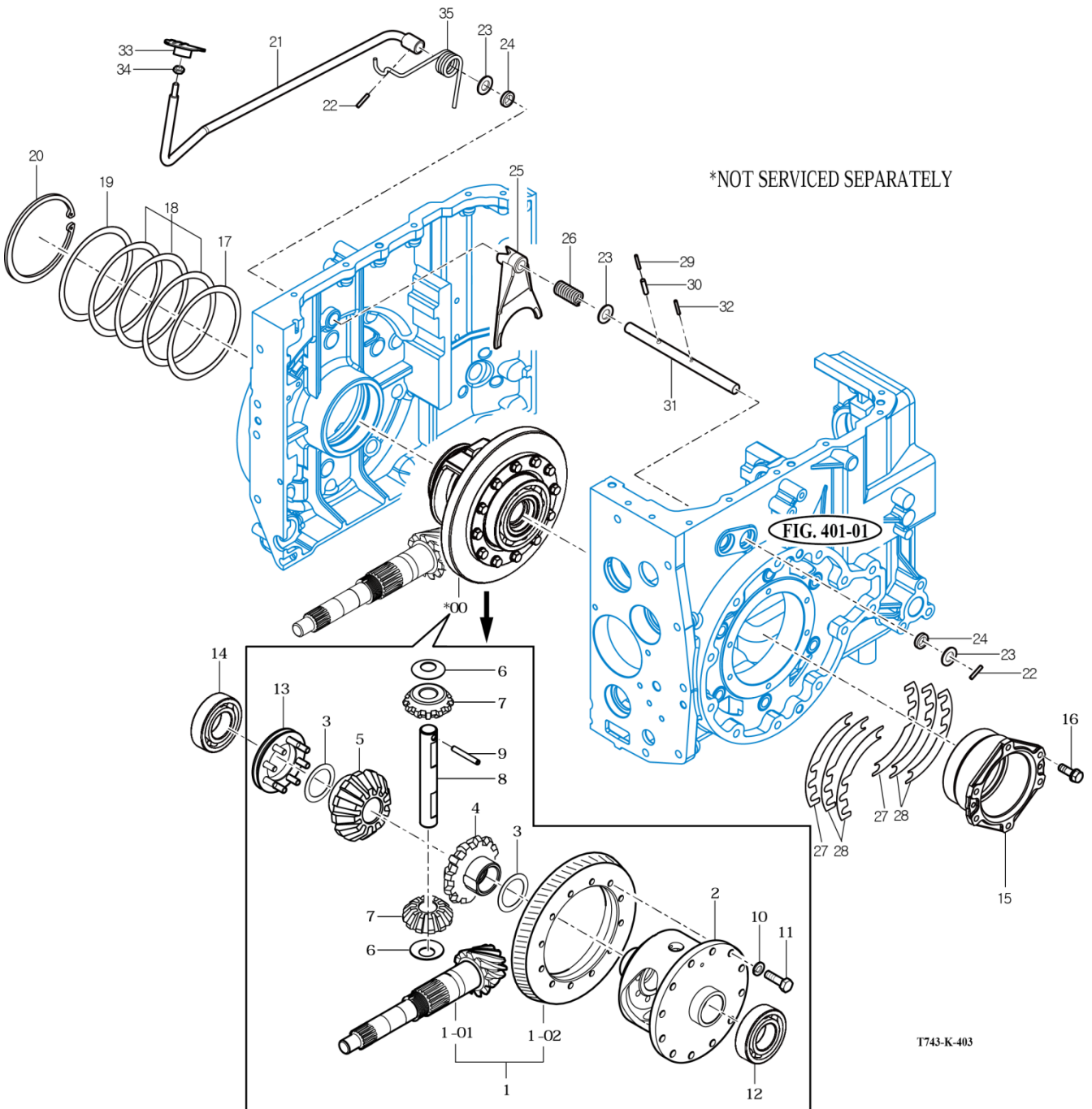
P1

Year

2018



RK74



NOTE

FIG 404

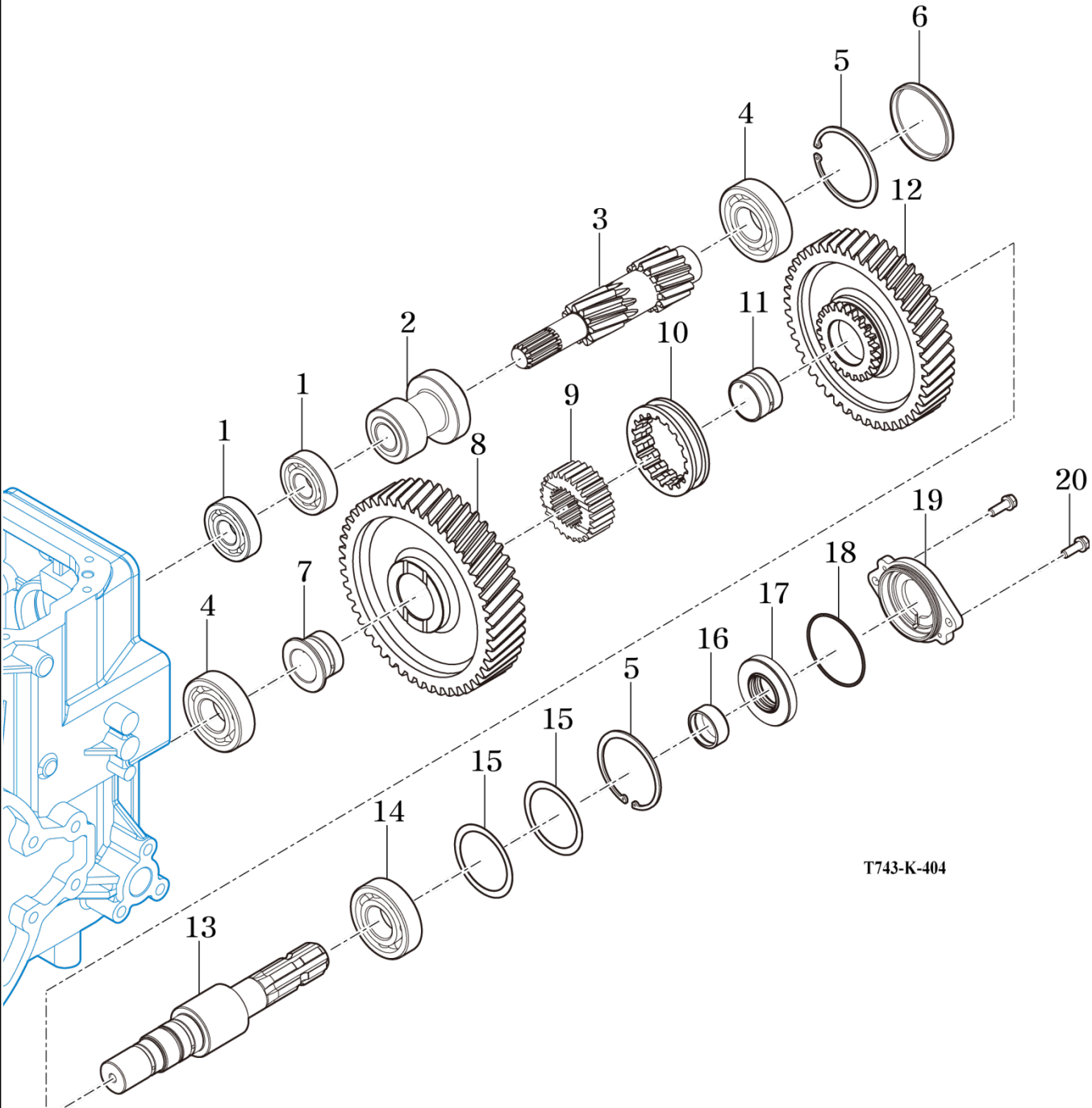
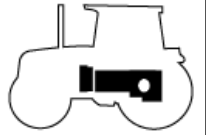
RK74

P.T.O CHANGE GEARS

P1

Year

2018



T743-K-404

NOTE

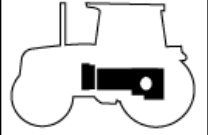
FIG 405

P.T.O CHANGE SHIFTER

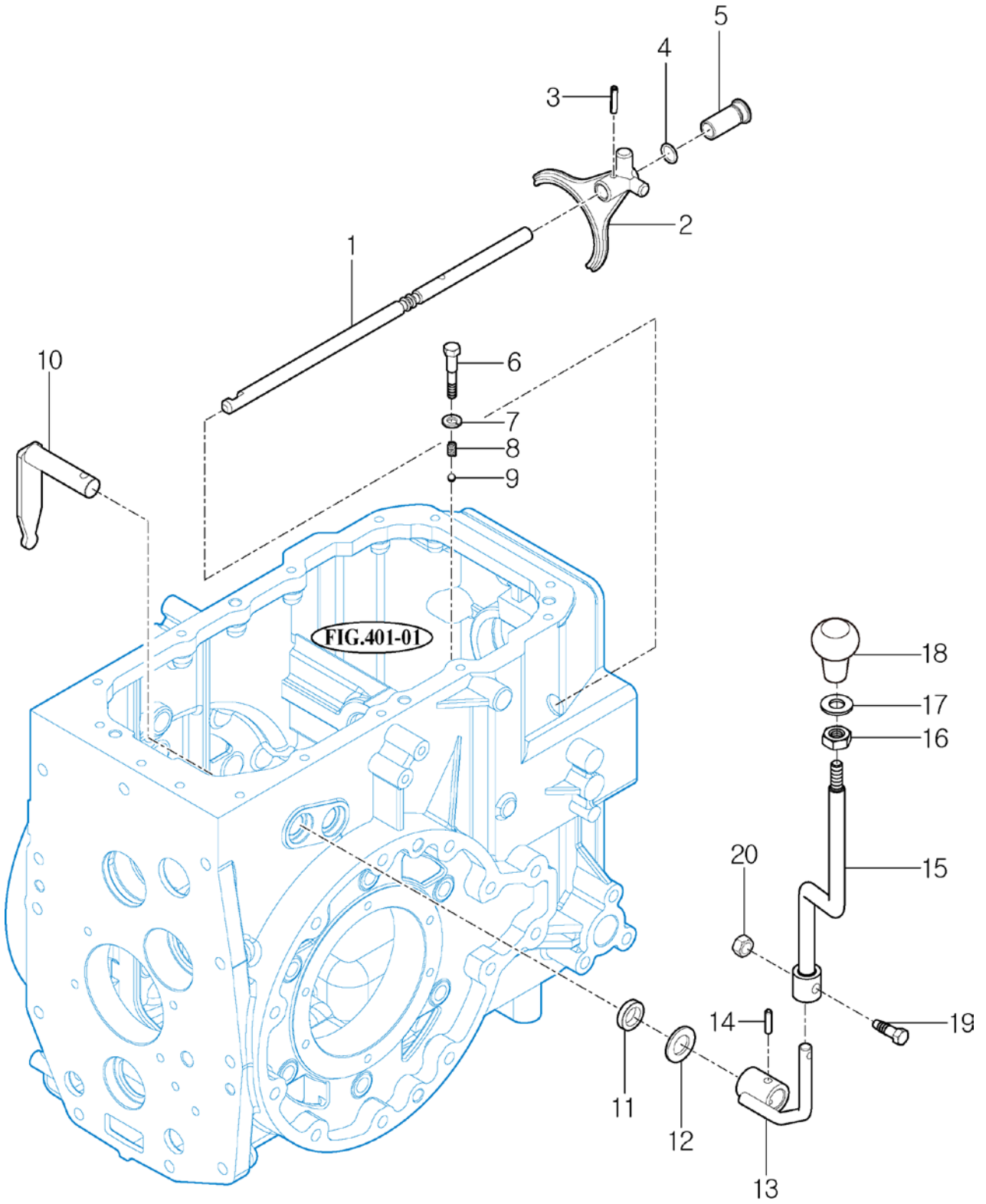
P1

Year

2018



RK74



NOTE

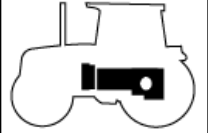
FIG 406

HOUSING , RR AXLE

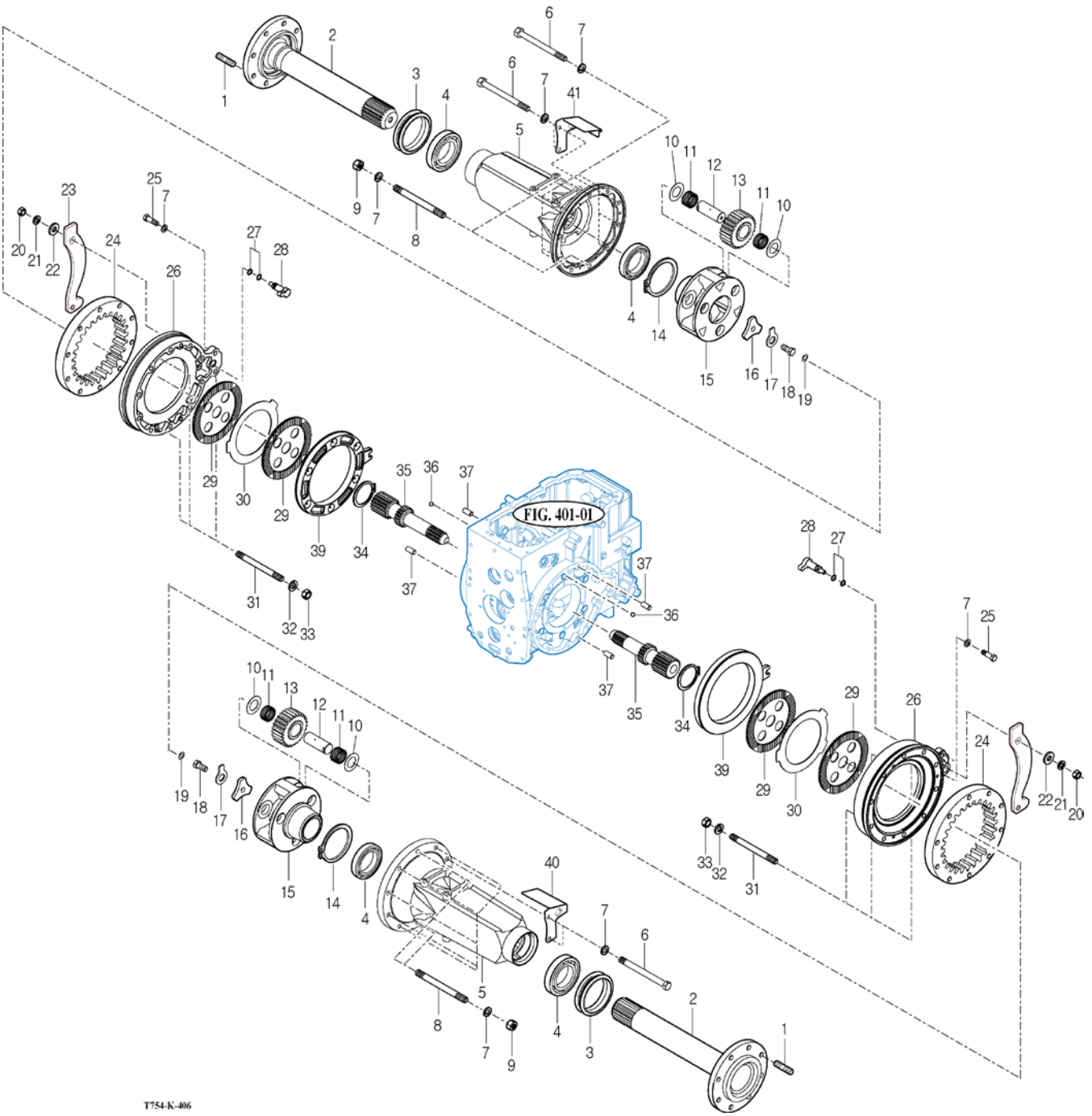
P1

Year

2018



RK74



T754-K-406

NOTE

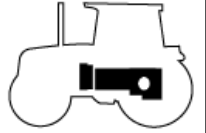
FIG 407

P.T.O DRIVE SHAFT

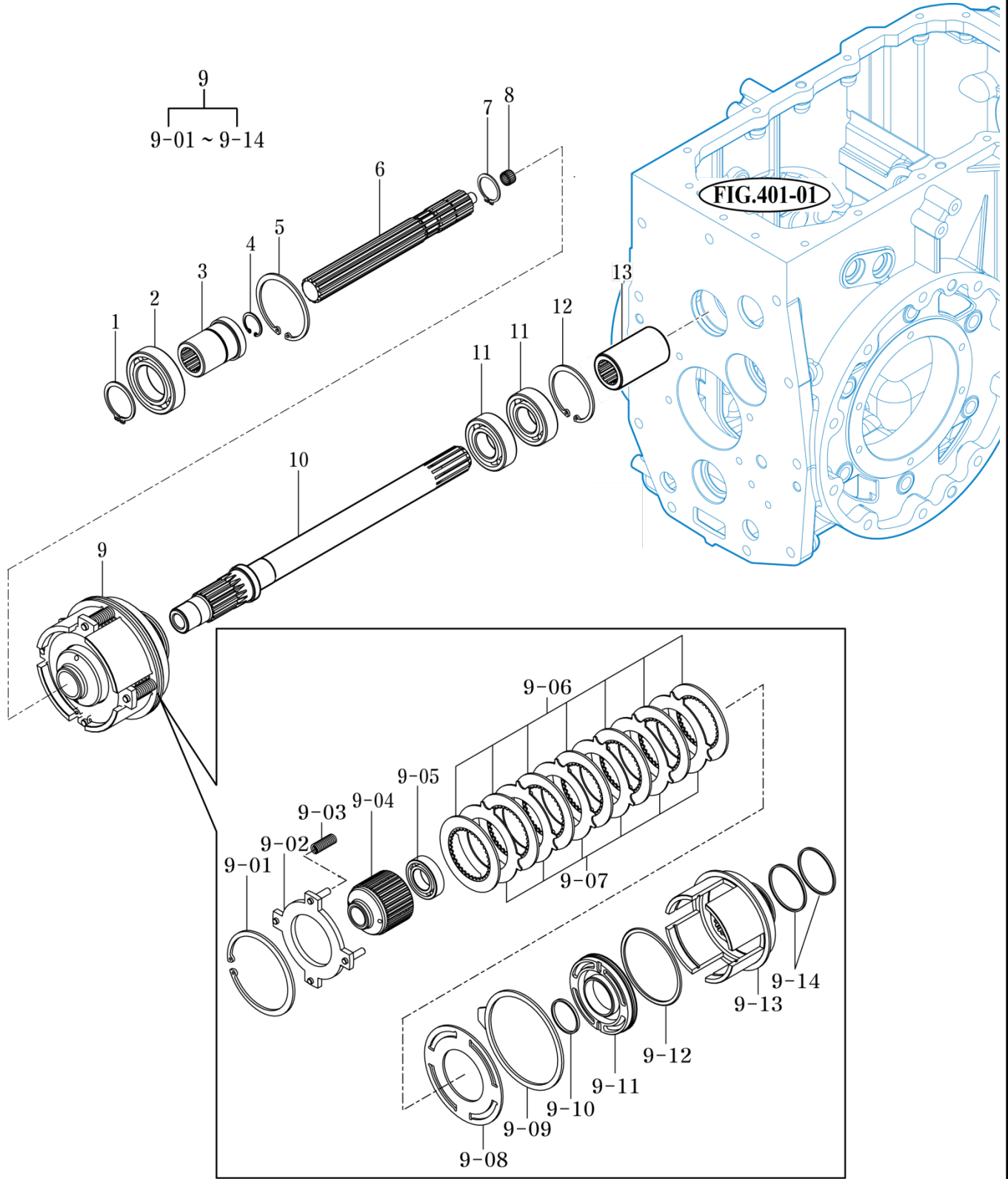
P1

Year

2018



RK74



T743-K-407

NOTE

FIG 408

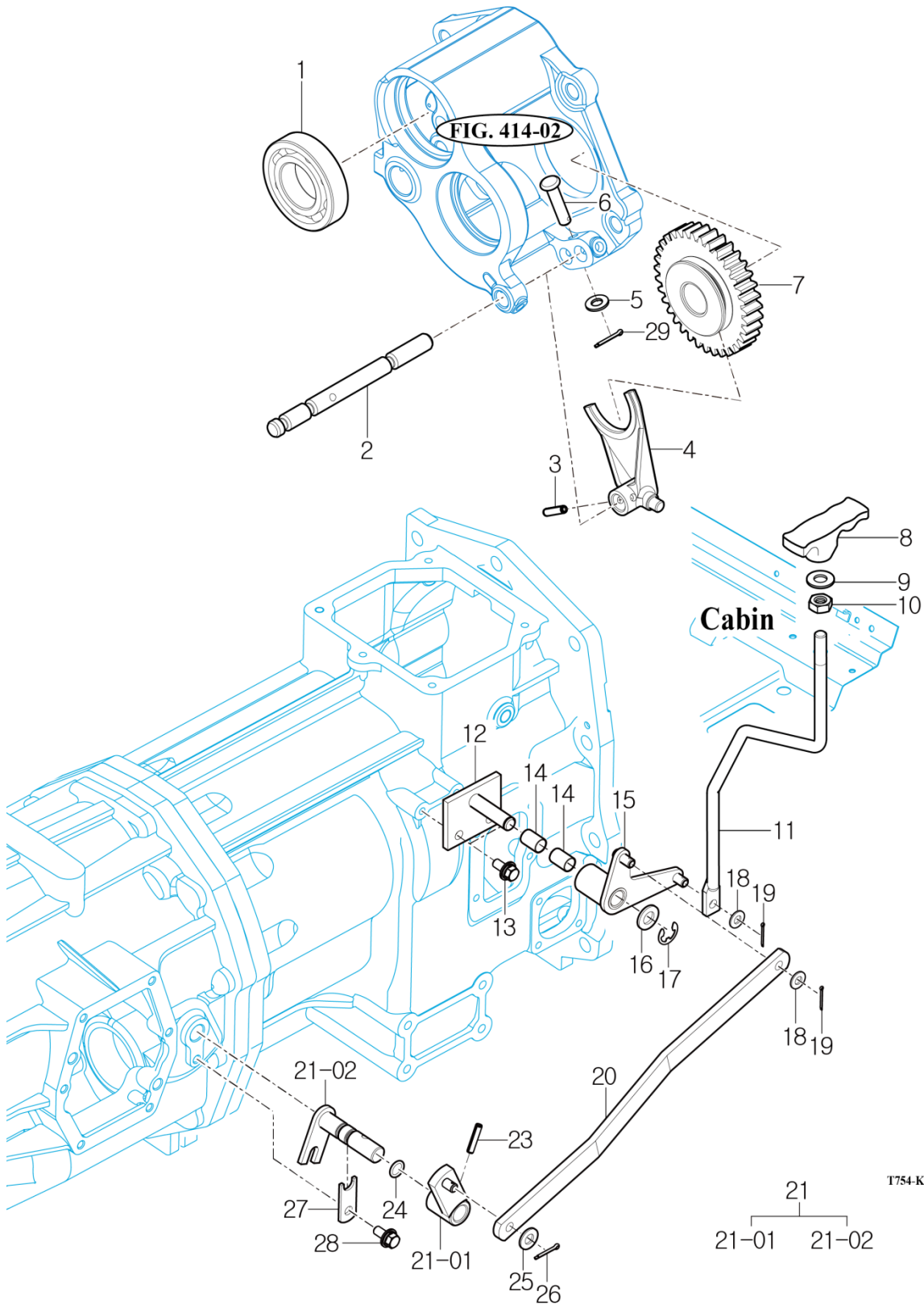
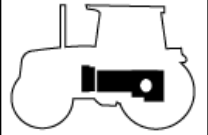
RK74

CREEP CHANGE

P1

Year

2018



NOTE

FIG 410

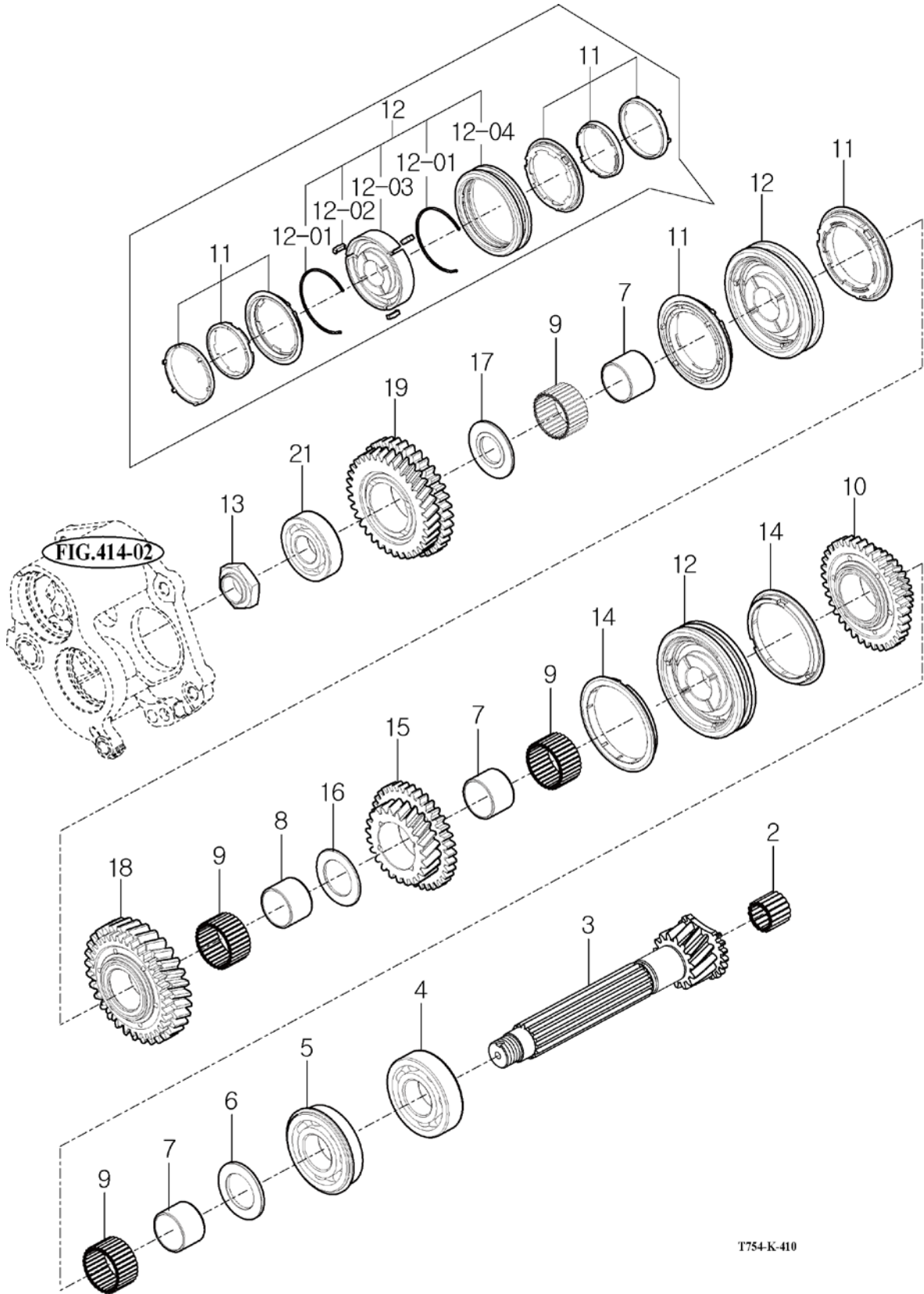
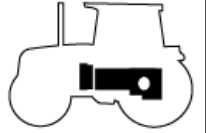
RK74

CHANGE GEARS

P1

Year

2018



T754-K-410

NOTE

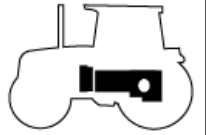
FIG 411

REVERSE GEARS

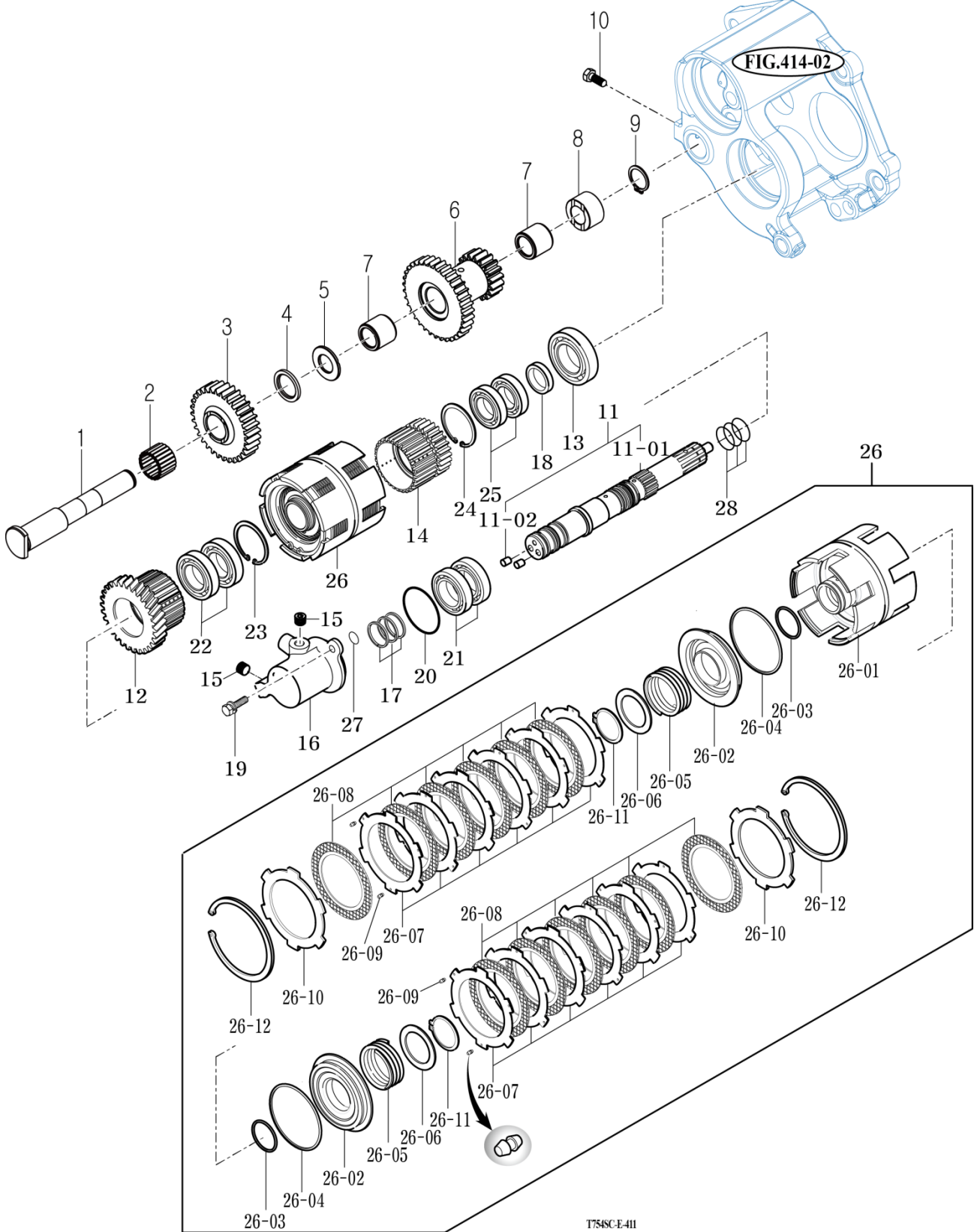
P1

Year

2018



RK74



NOTE

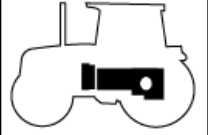
FIG 412

MAIN CHANGE LEVER

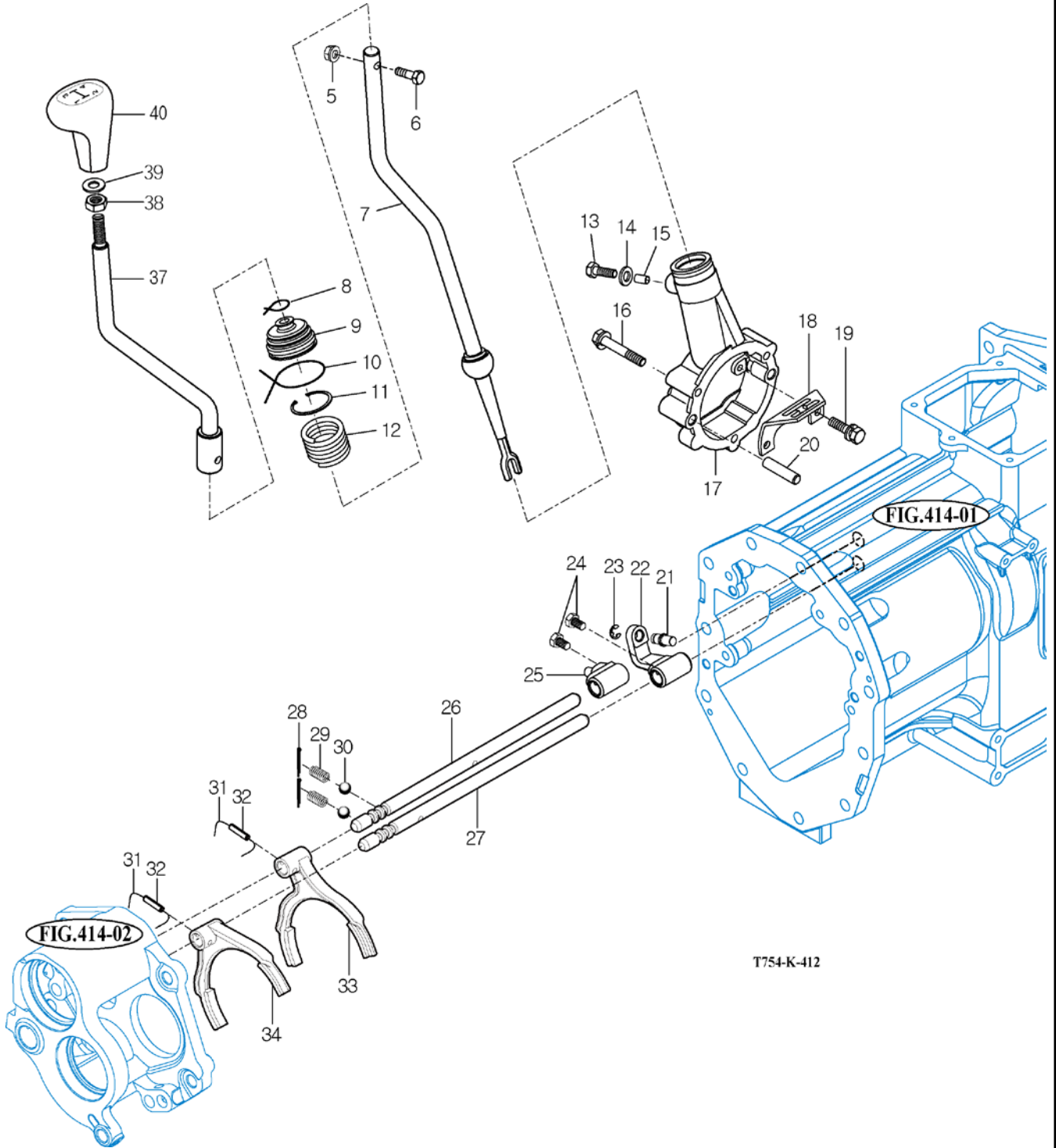
P1

Year

2018



RK74



T754-K-412

NOTE

FIG 413

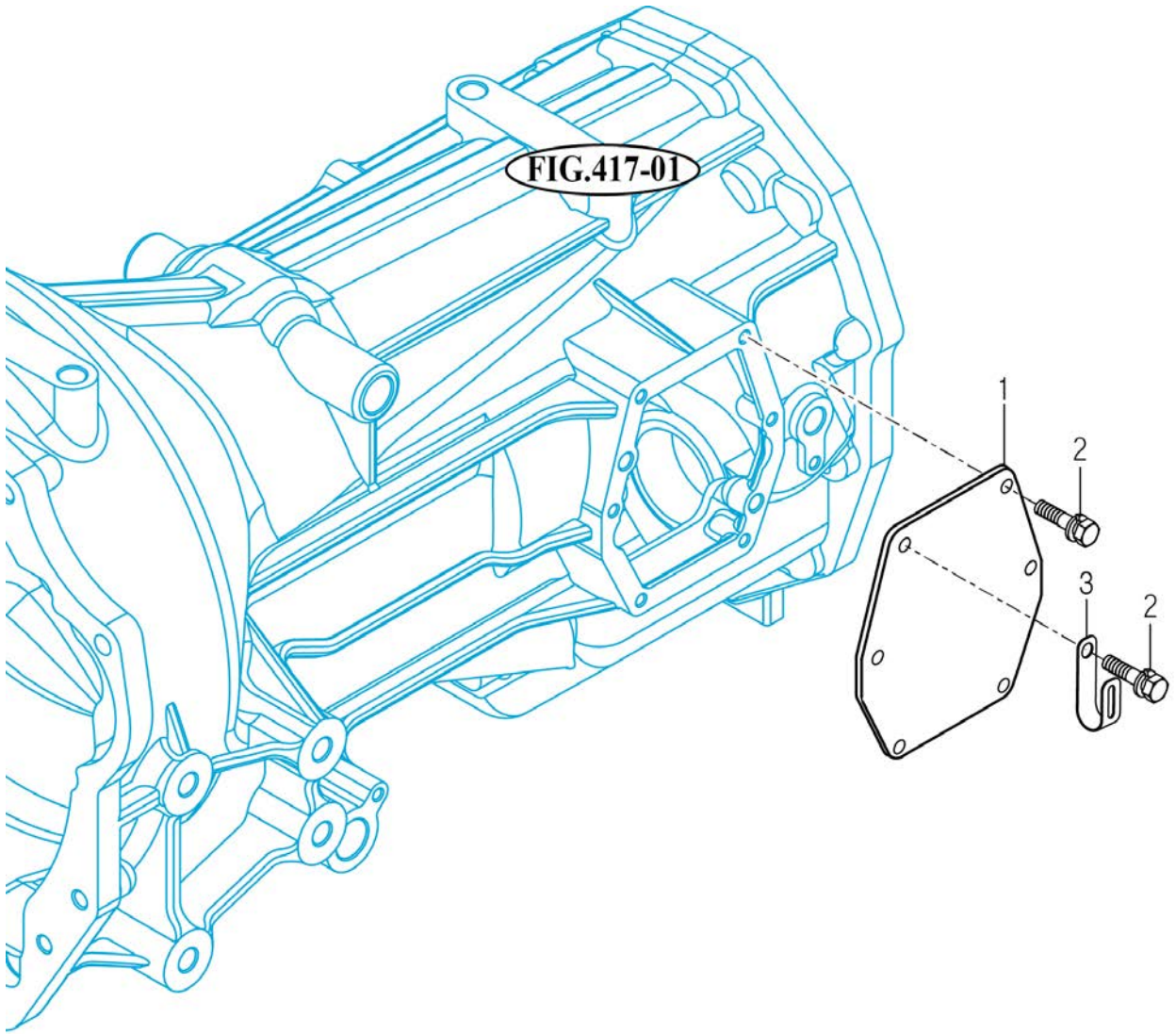
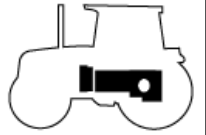
RK74

SUB CHANGE LEVER

P1

Year

2018



NOTE

FIG 414

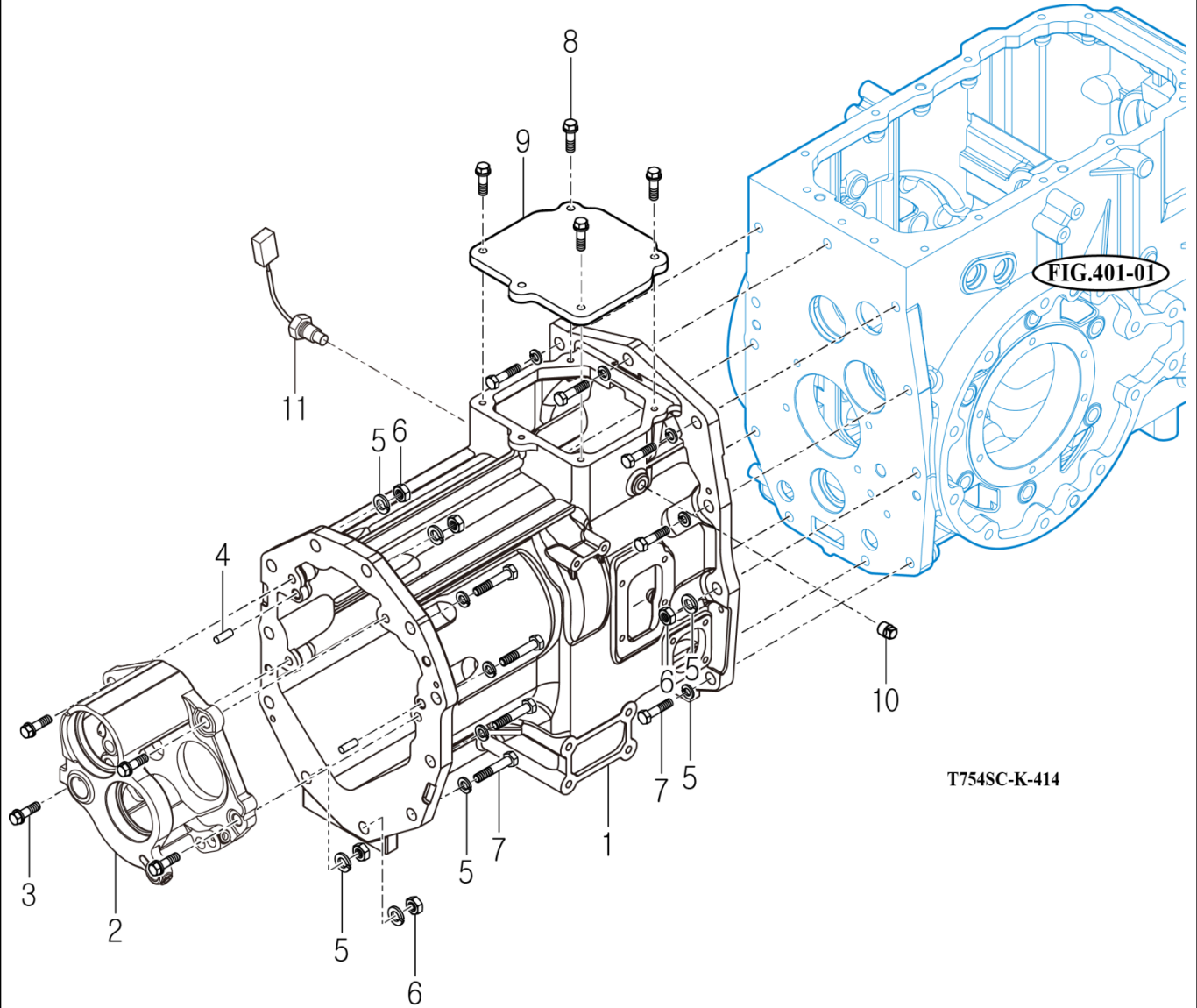
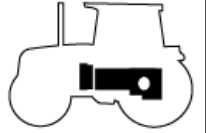
RK74

TRANSMISSION MID CASE

P1

Year

2018



T754SC-K-414

NOTE

FIG 415

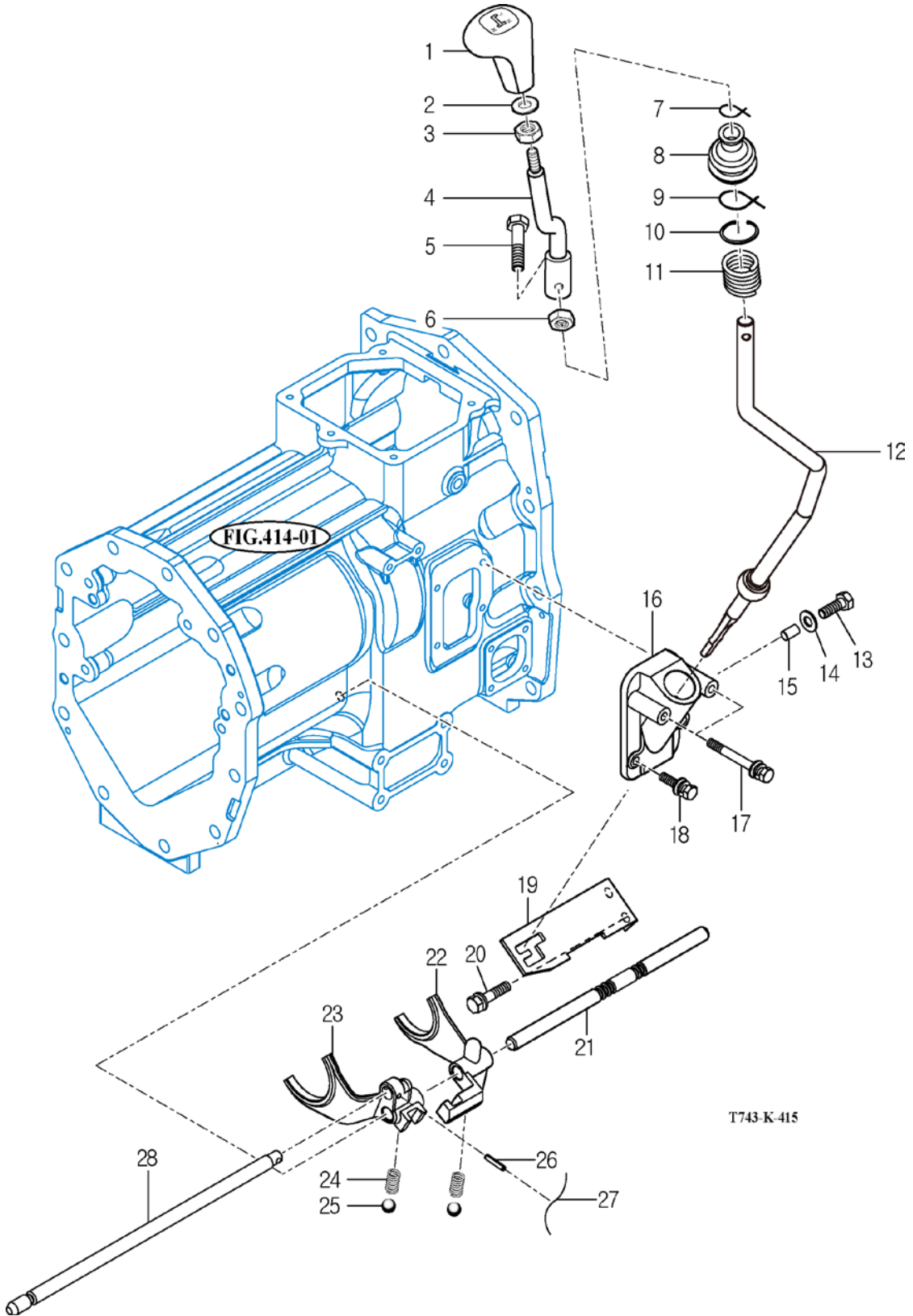
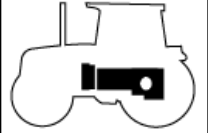
RK74

SUB CHANGE SHIFTER

P1

Year

2018



T743-K-415

NOTE

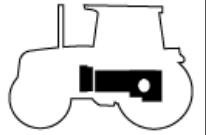
FIG 416

4WD CHANGE LEVER

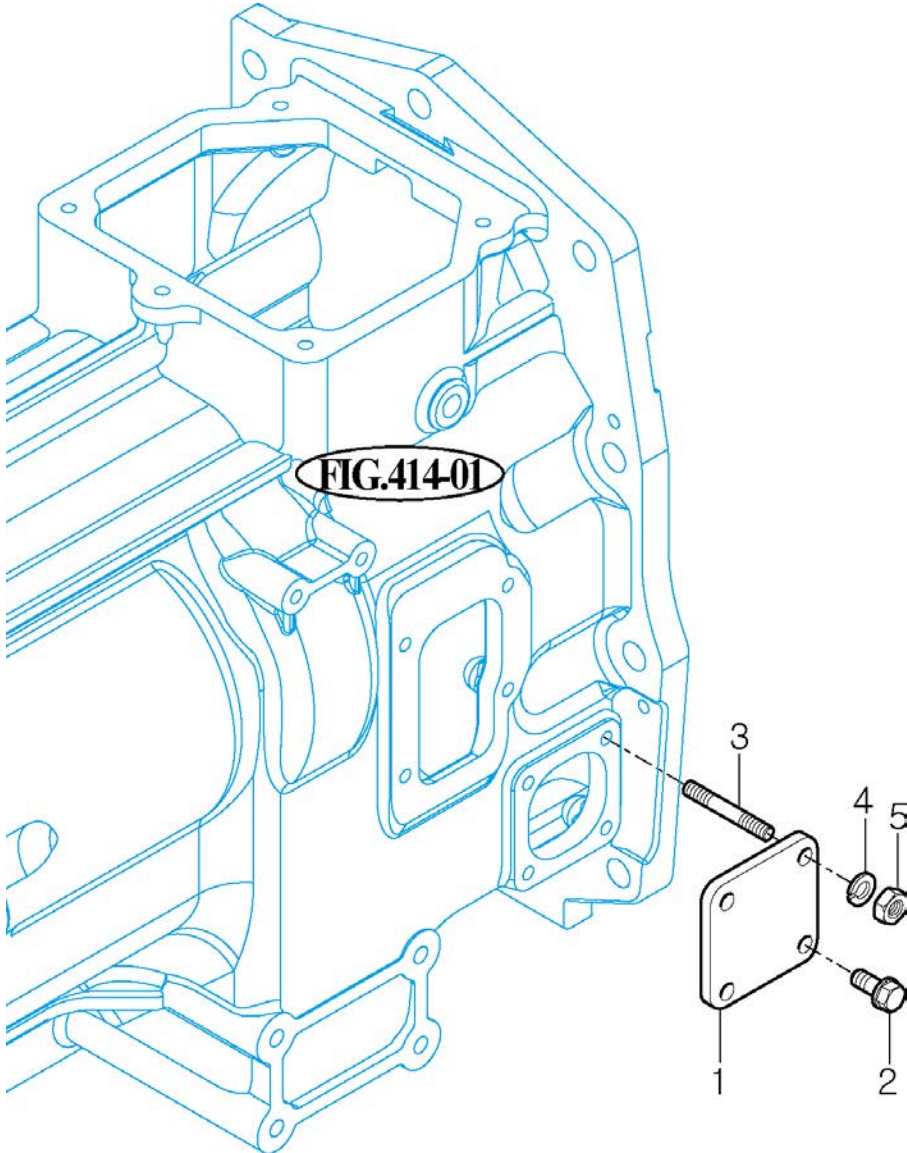
P1

Year

2018



RK74



T754SC-K-416

NOTE

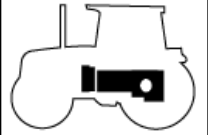
FIG 417

TRANSMISSION FRONT CASE

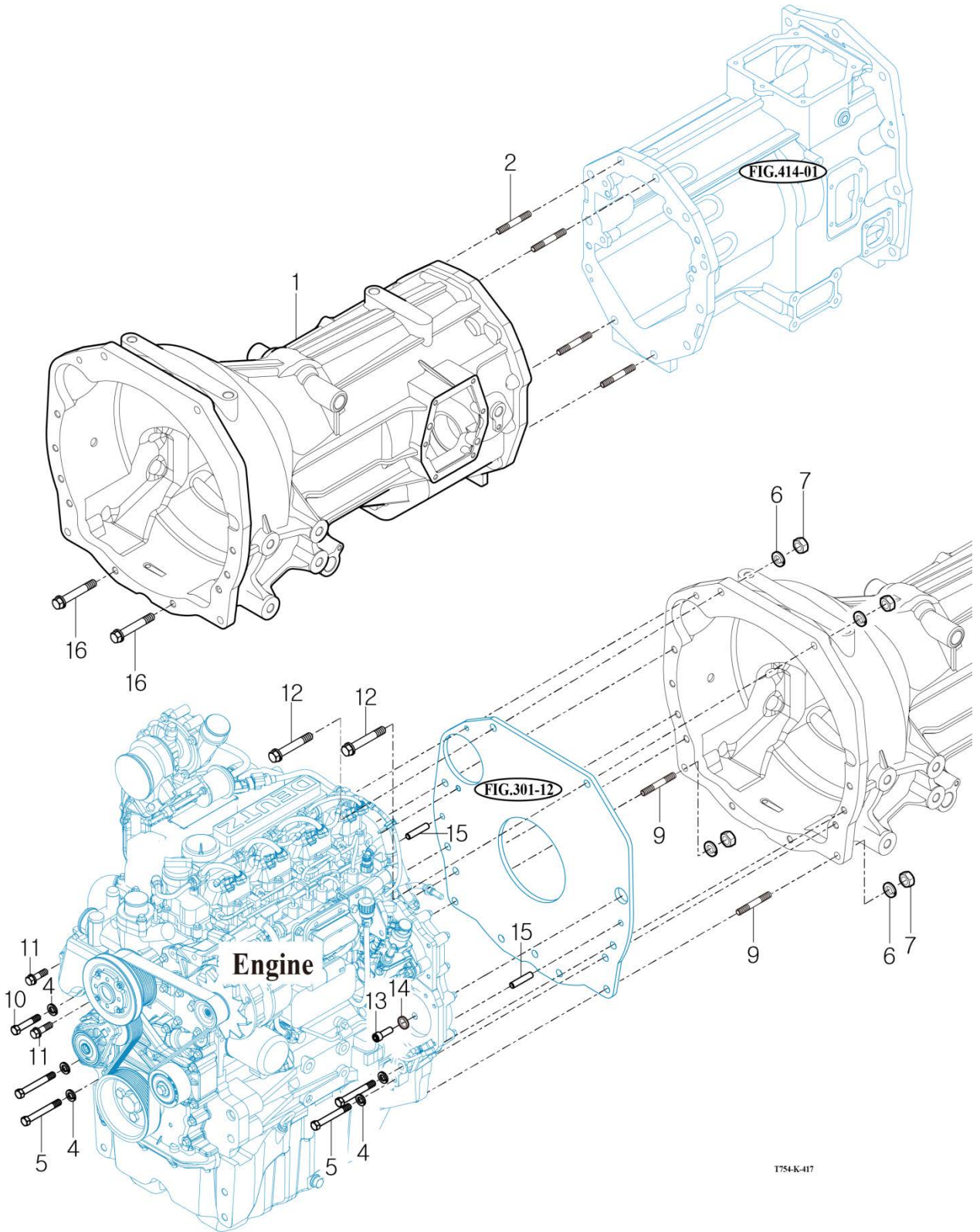
P1

Year

2018



RK74



T754-K-417

NOTE

FIG 418

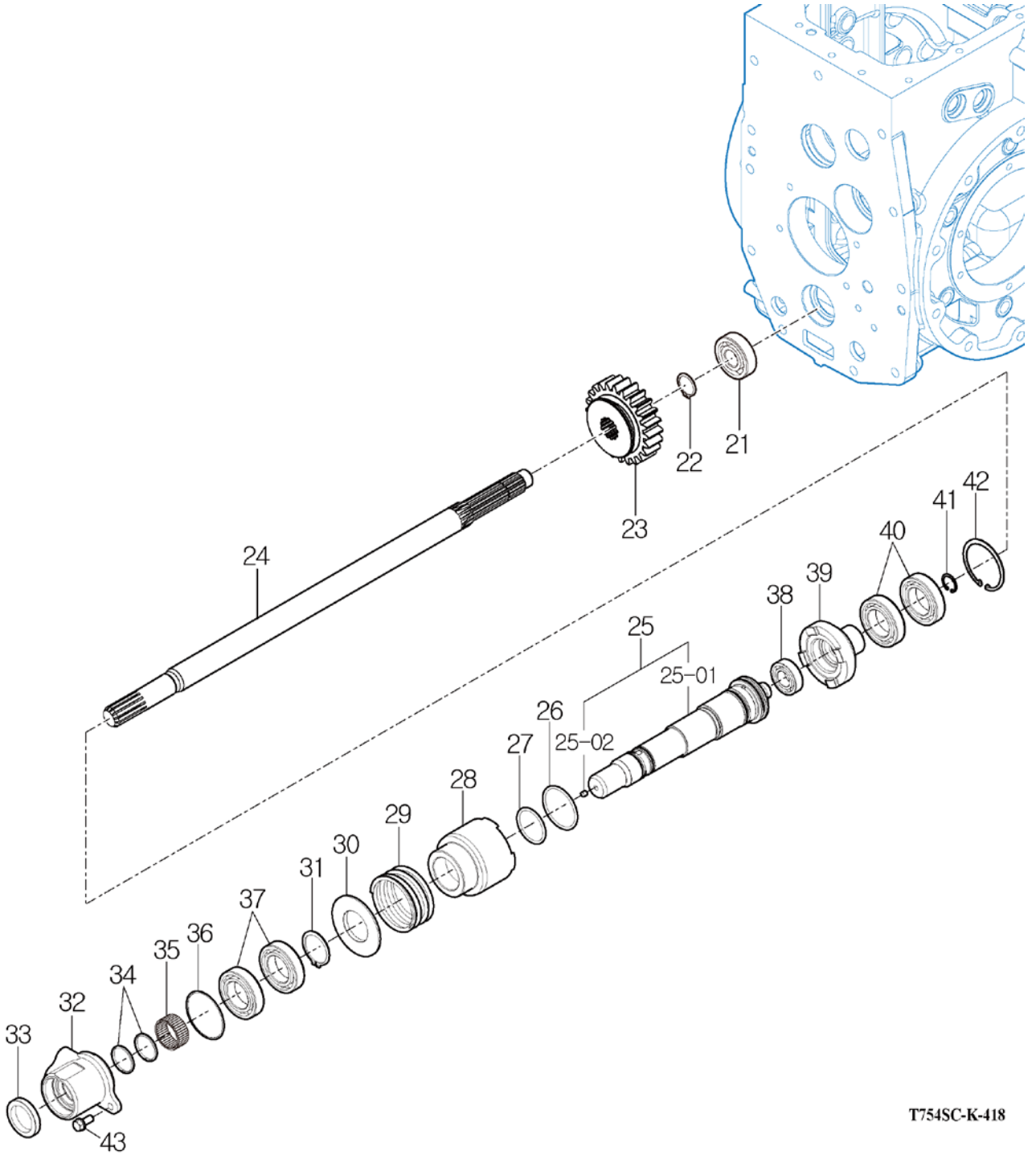
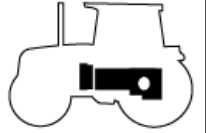
RK74

DRIVE GEARS

P1

Year

2018



T754SC-K-418

NOTE

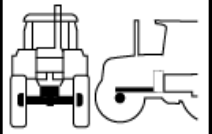
FIG 501

FRONT AXLE SUPPORT

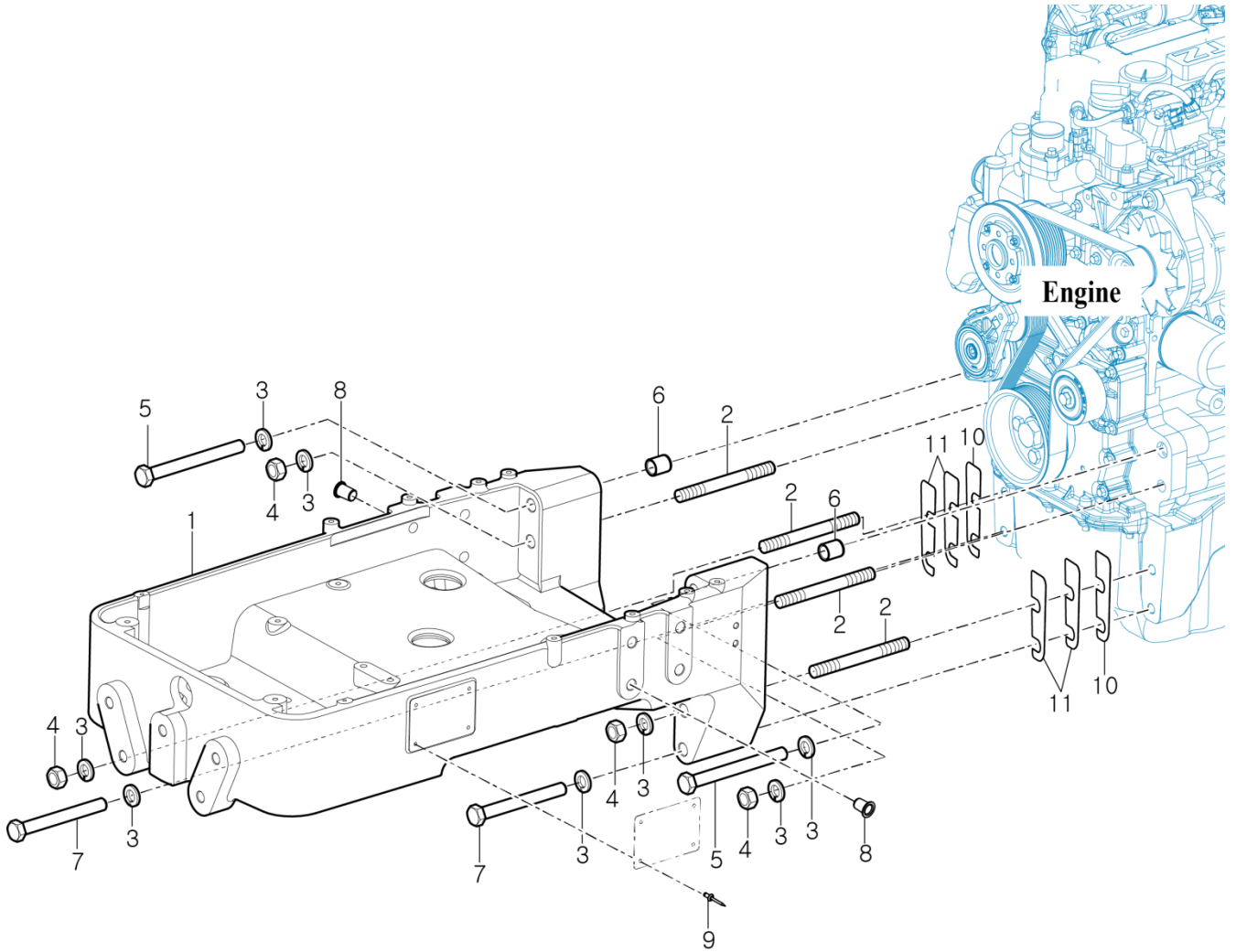
P1

Year

2018



RK74



T754-K-501

NOTE

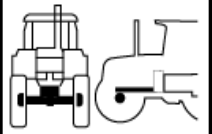
FIG 502

FRONT DRIVE SHAFT

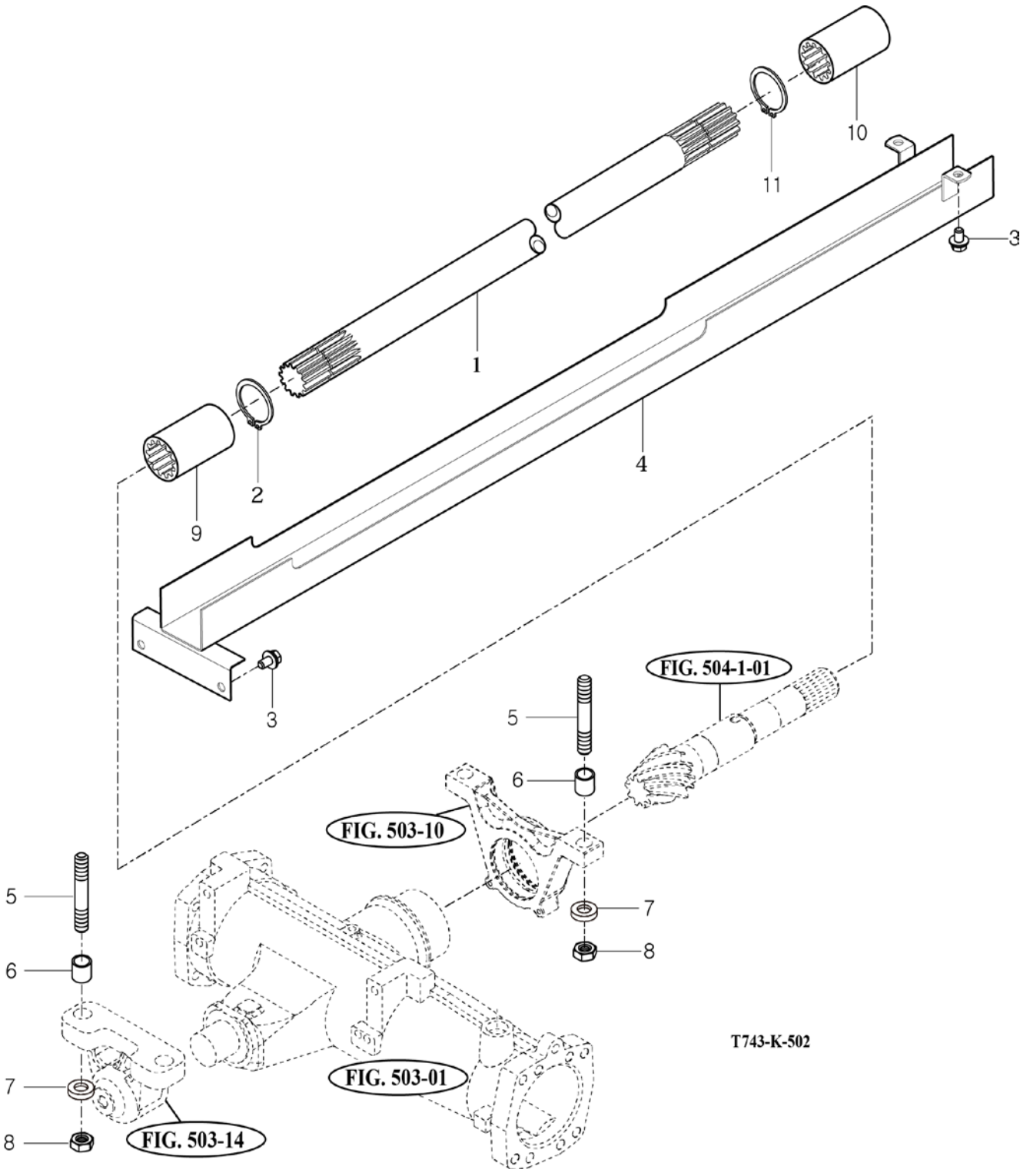
P1

Year

2018



RK74



NOTE

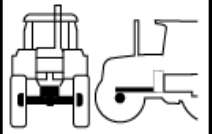
FIG 503

FRONT AXLE HOUSING

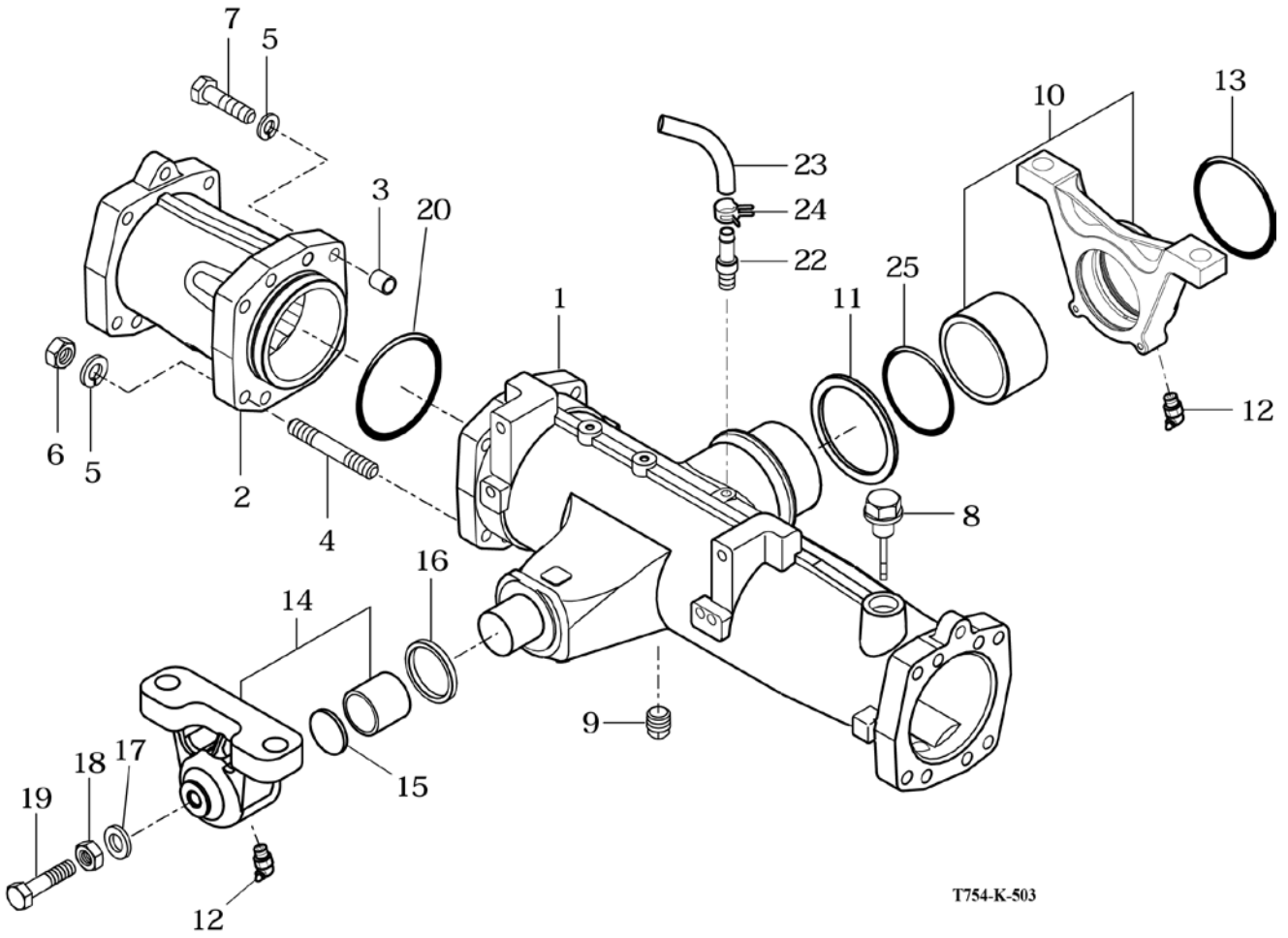
P1

Year

2018



RK74



T754-K-503

NOTE

FIG 504

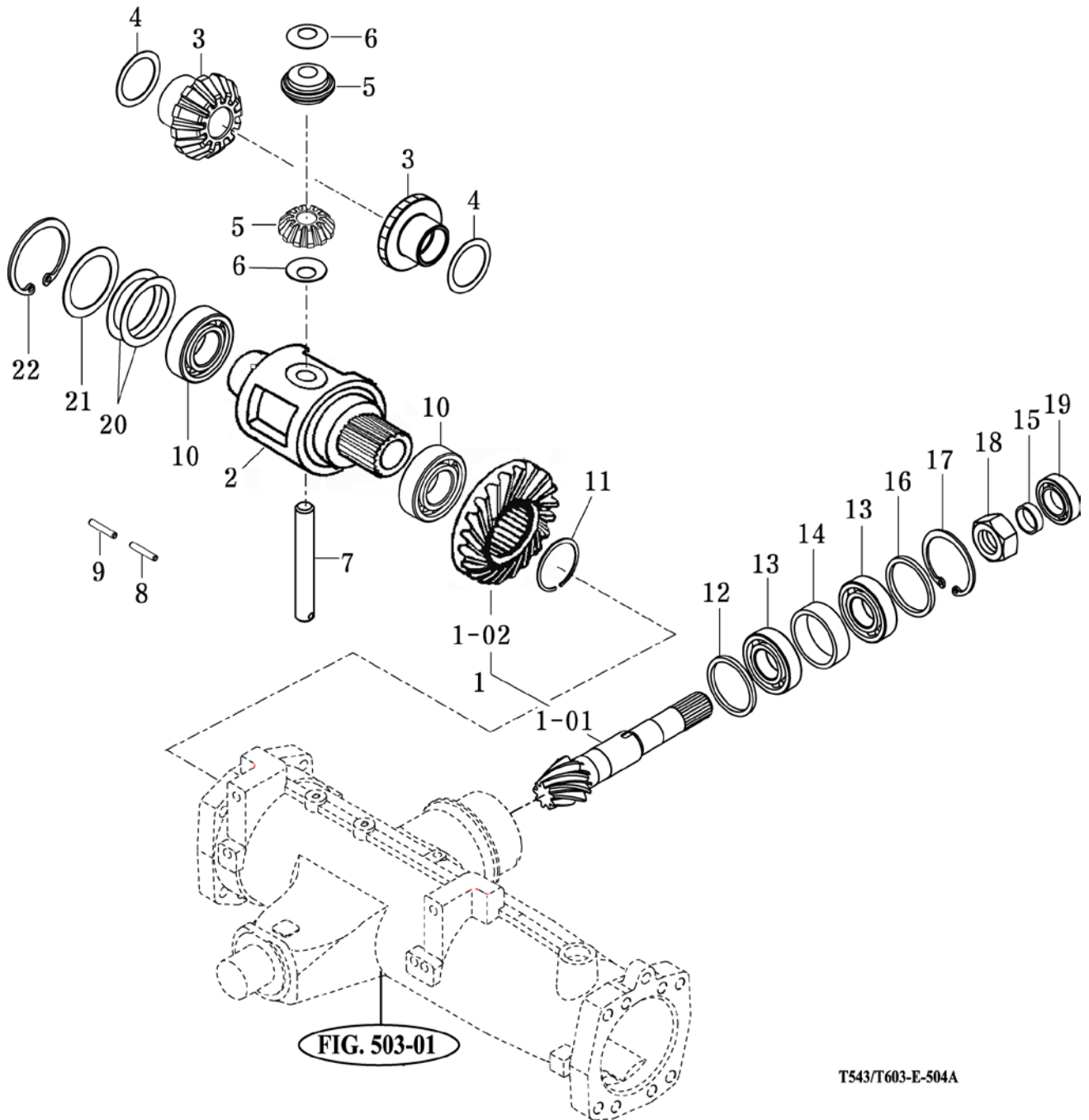
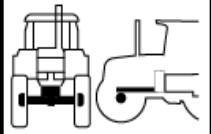
FRONT DIFFERENTIAL GEARS

RK74

P1

Year

2018



T543/T603-E-504A

NOTE

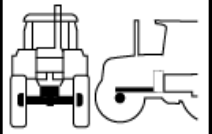
FIG 505

FRONT GEAR CASE (1)

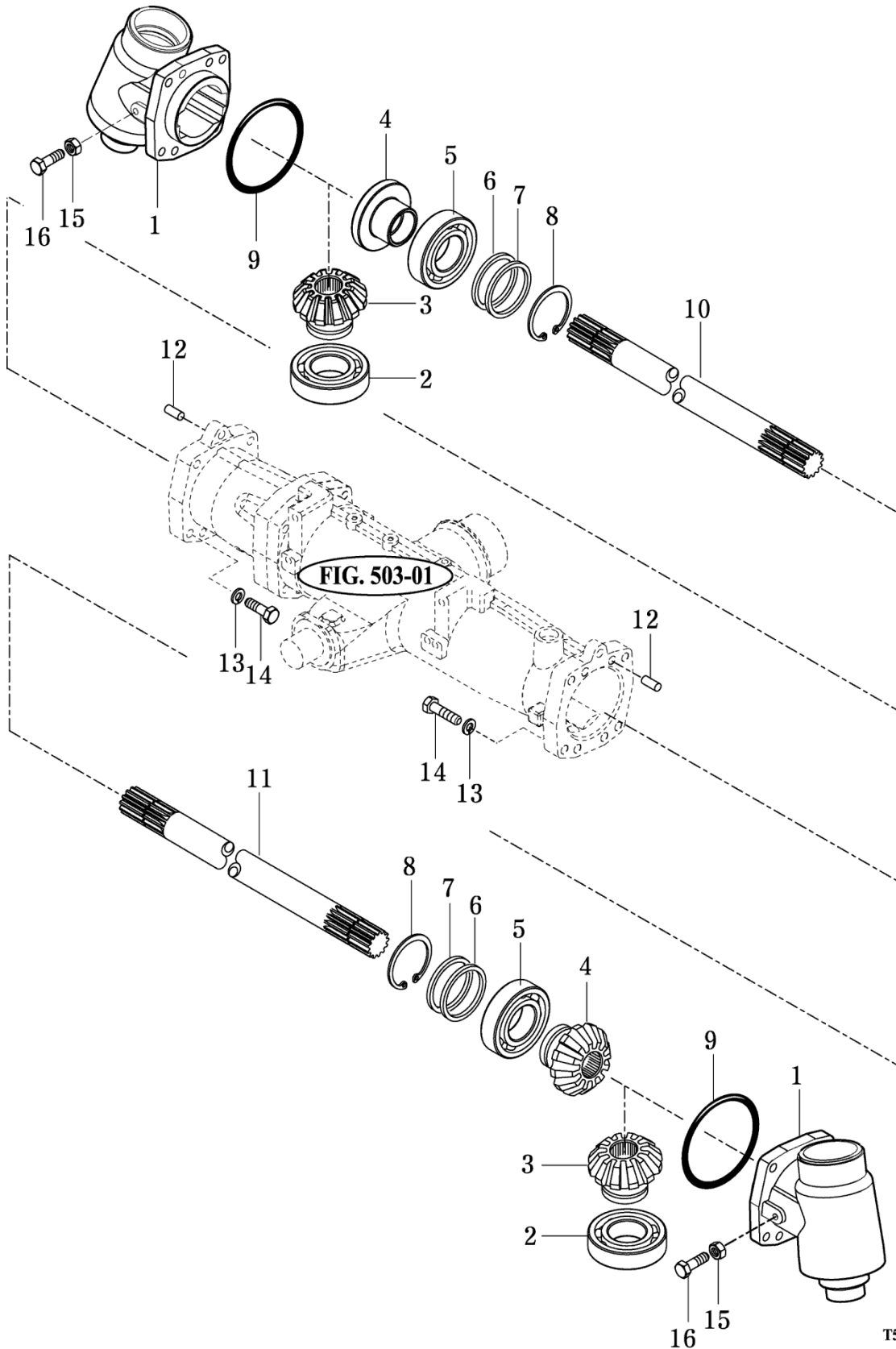
P1

Year

2018



RK74



T543/T603-E-505A

NOTE

FIG 506

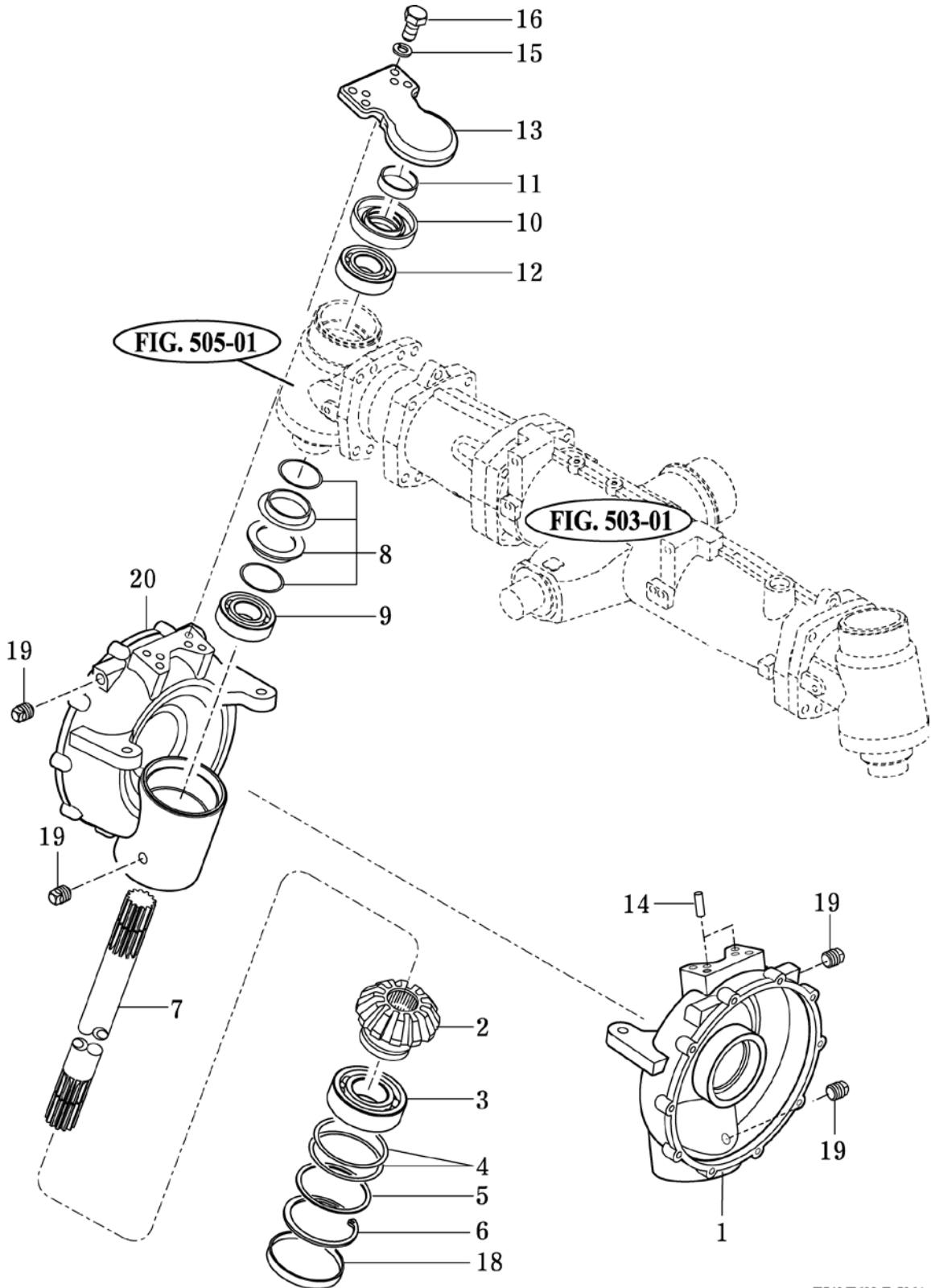
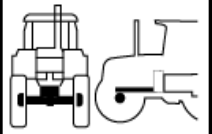
RK74

FRONT GEAR CASE (2)

P1

Year

2018



T543/T603-E-506A

NOTE

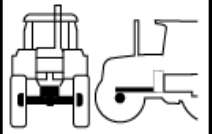
FIG 507

FRONT GEAR CASE (3)

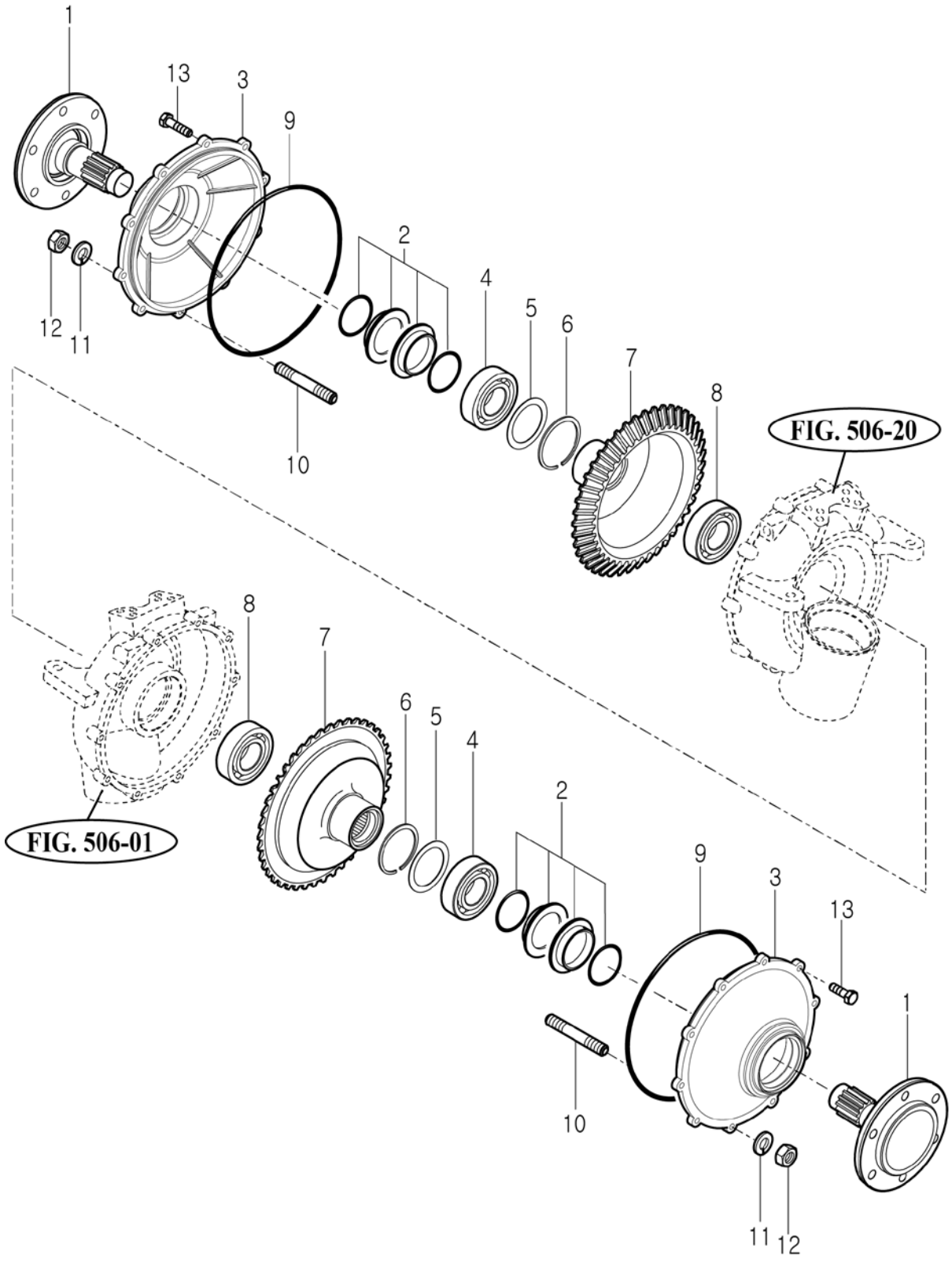
P1

Year

2018



RK74



T754-E-507

NOTE

FIG 601

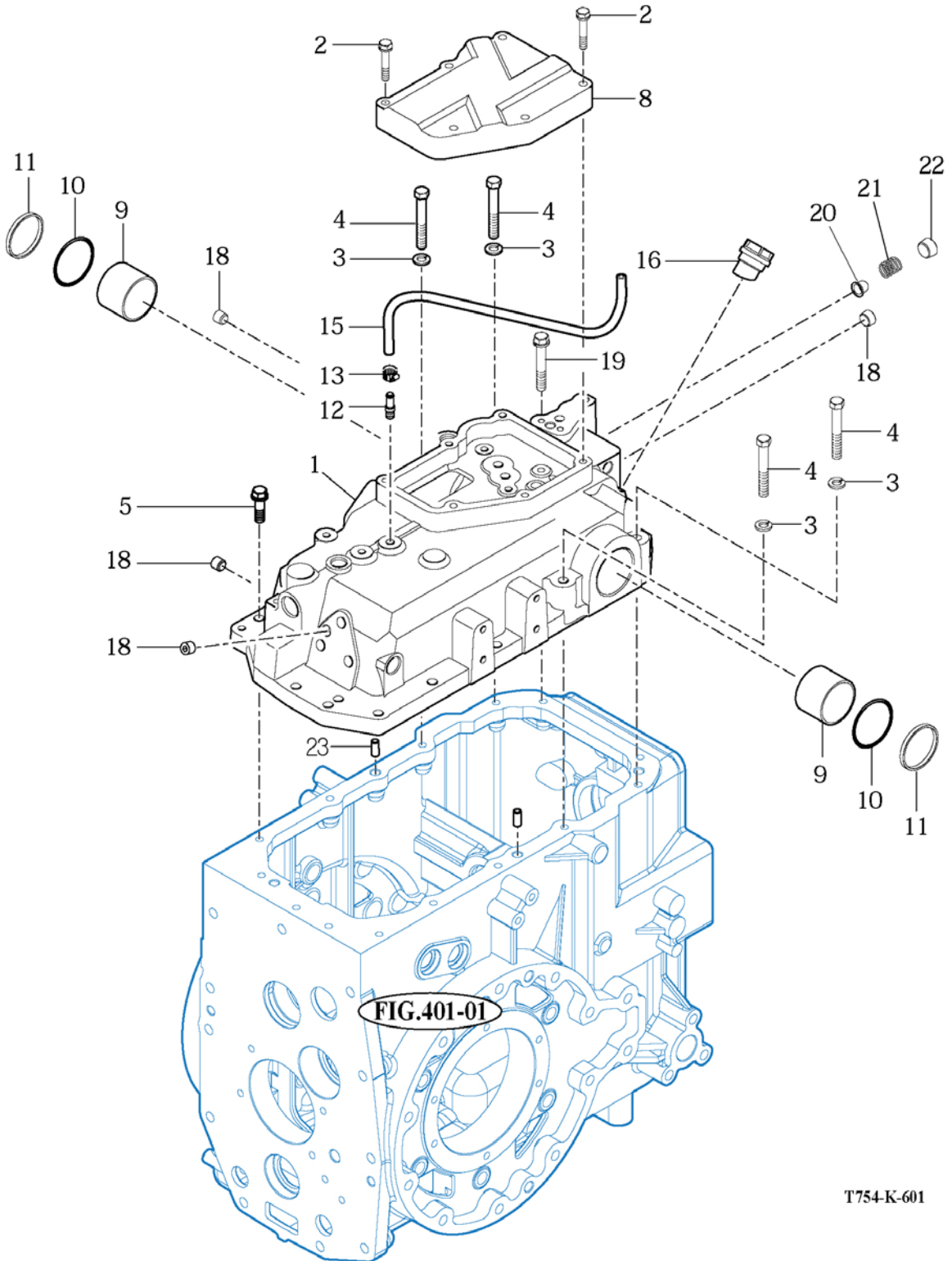
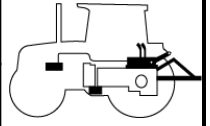
RK74

CYLINDER CASE

P1

Year

2018



T754-K-601

NOTE

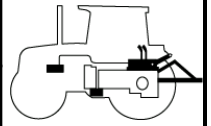
FIG 602

LIFT ARM

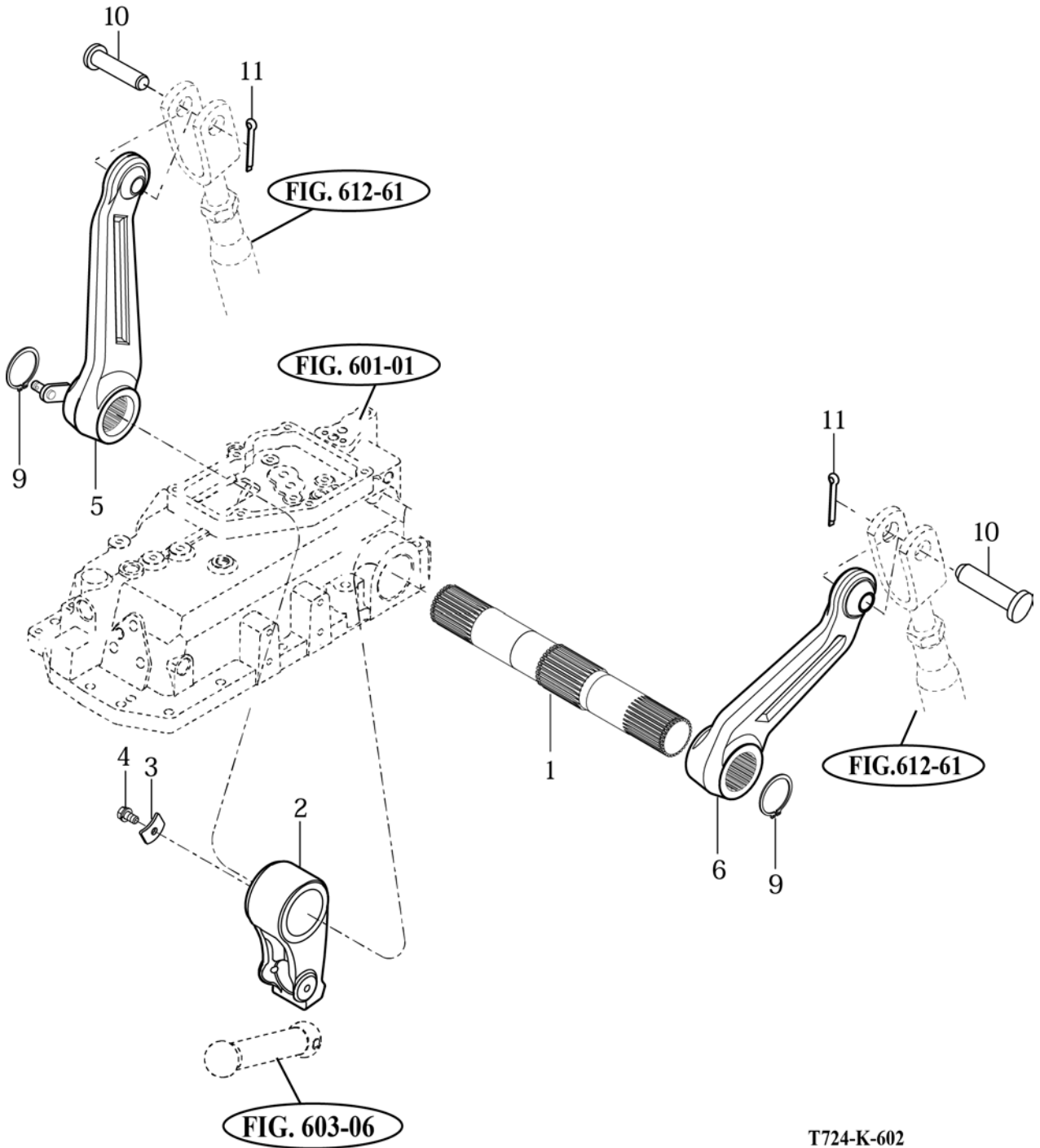
Year

P1

2018



RK74



T724-K-602

NOTE

FIG 603

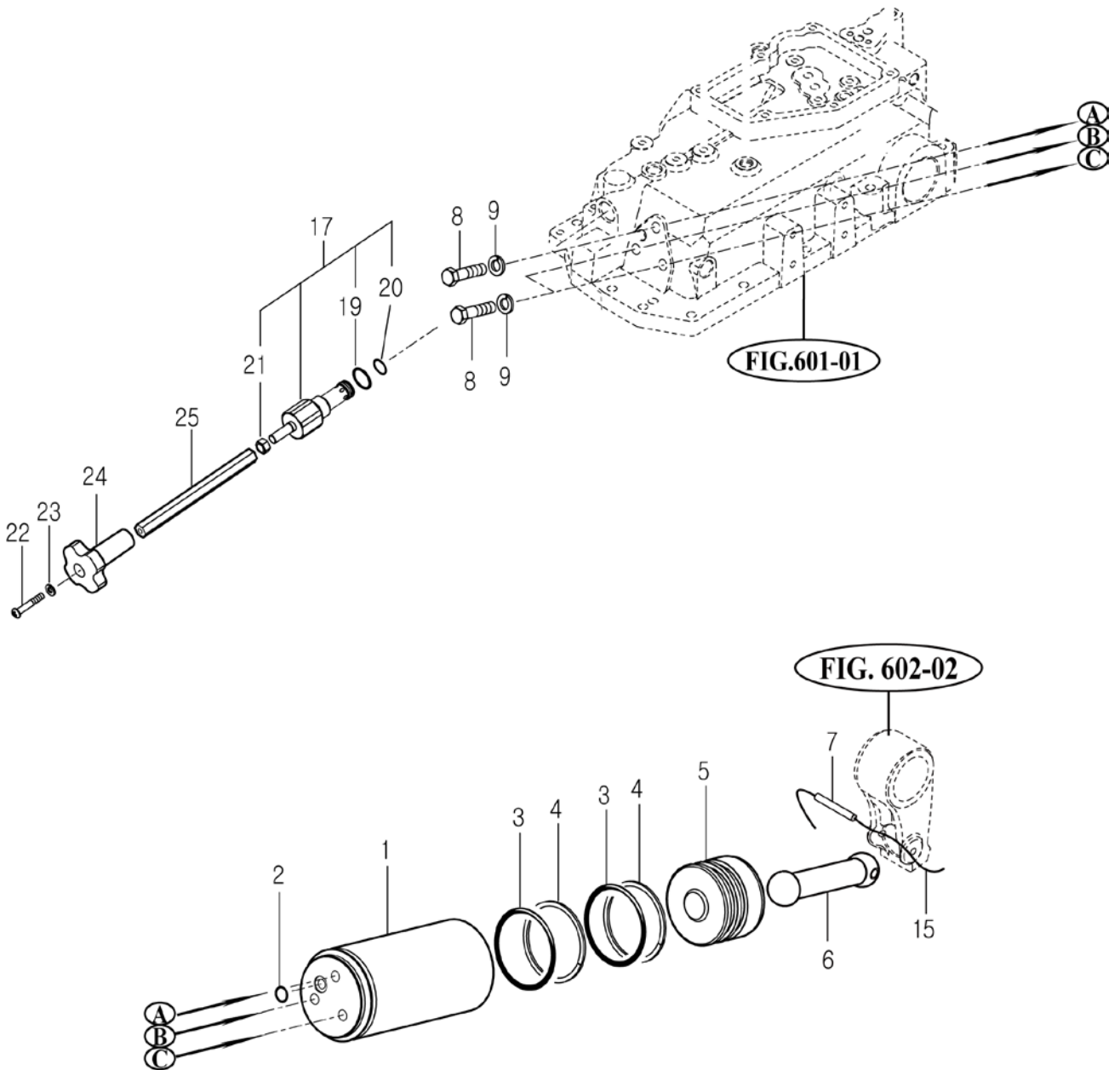
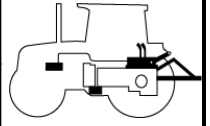
RK74

CYLINDER

P1

Year

2018



T543/T603-E-603A

NOTE

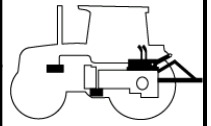
FIG 604

POSITION LINK

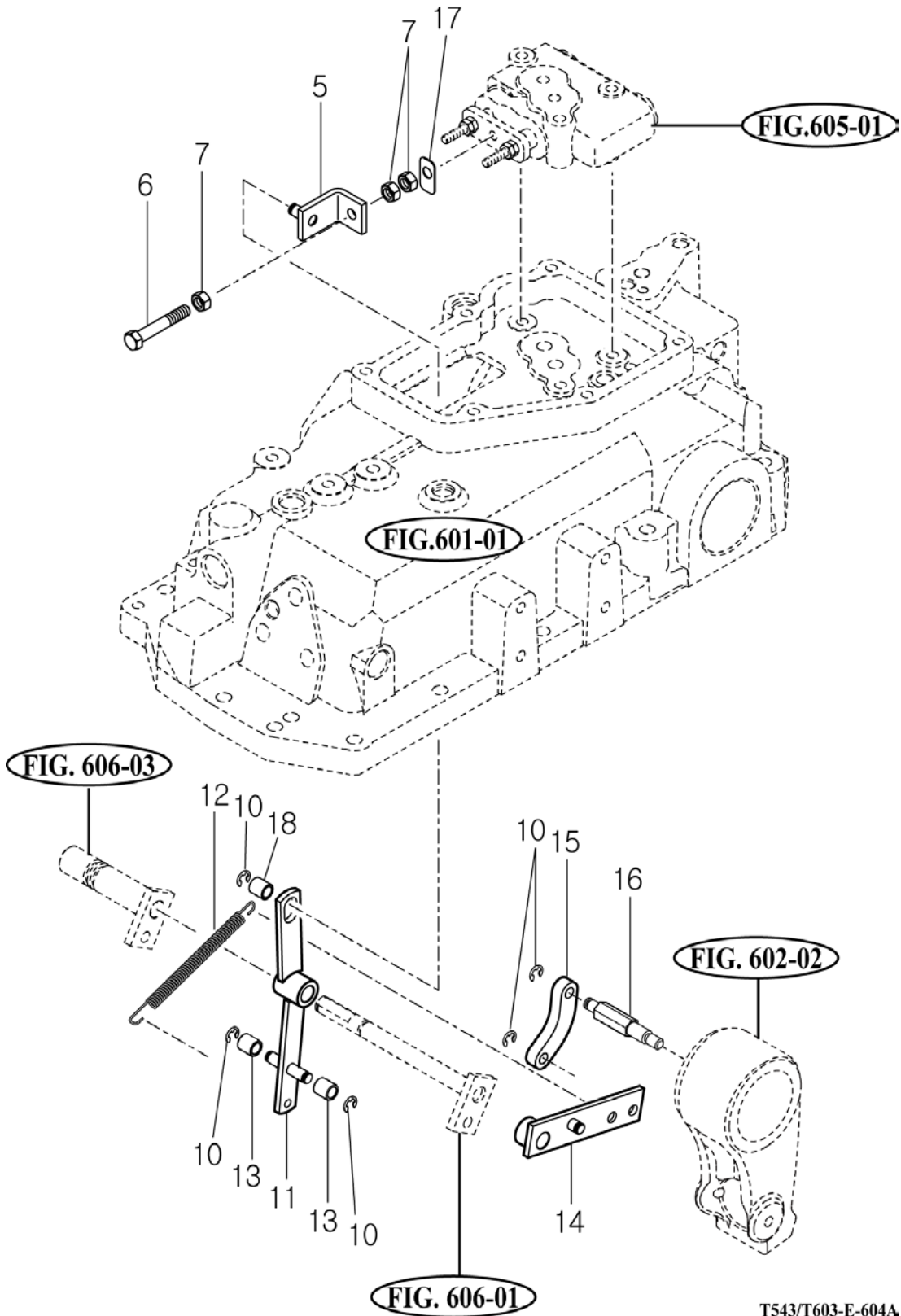
Year

P1

2018



RK74



T543/T603-E-604A

NOTE

FIG 605

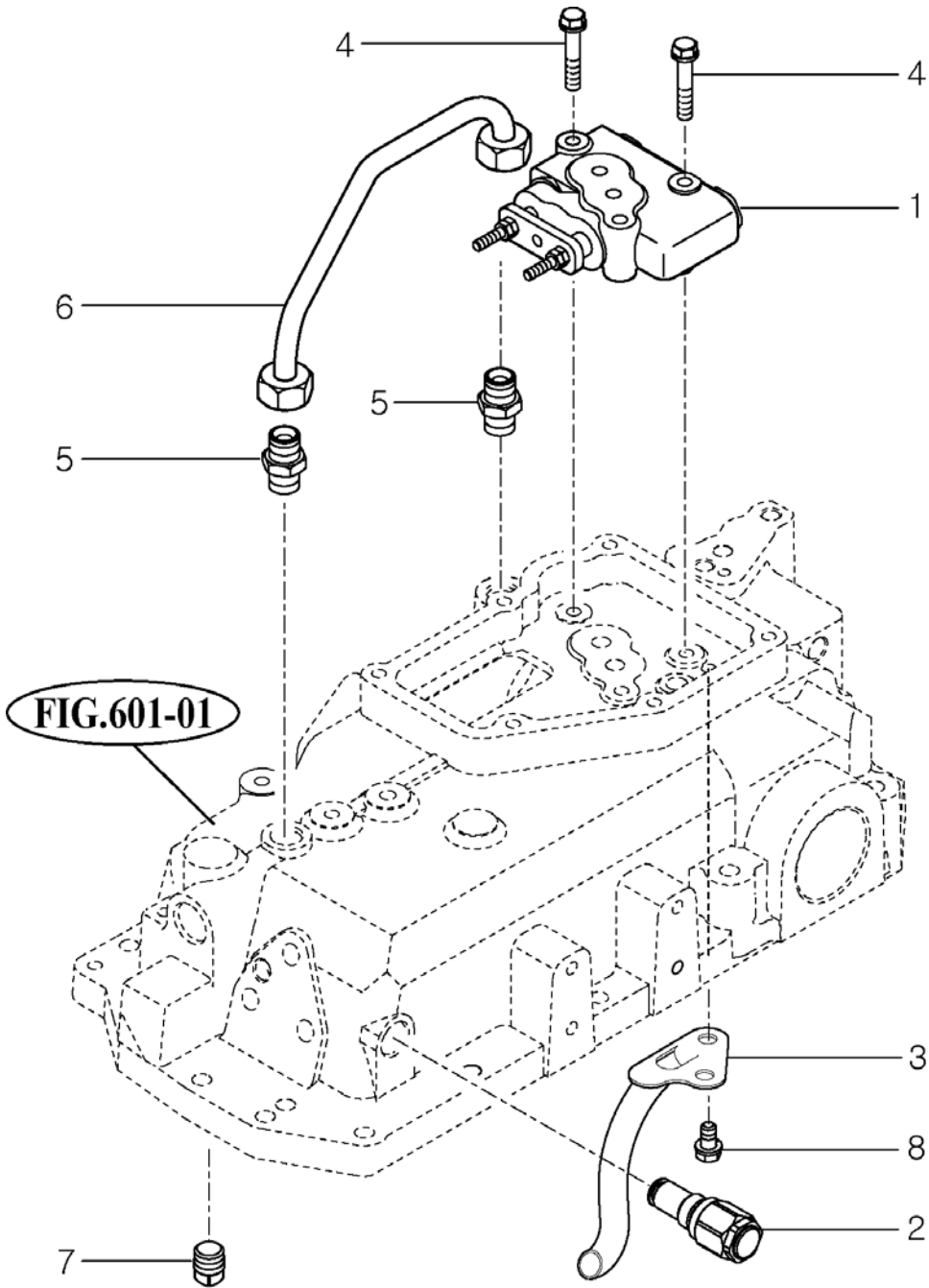
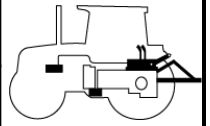
RK74

CONTROL VALVE

P1

Year

2018



T754-E-605

NOTE

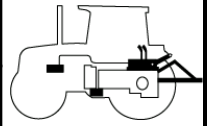
FIG 606

DRAFT LINK

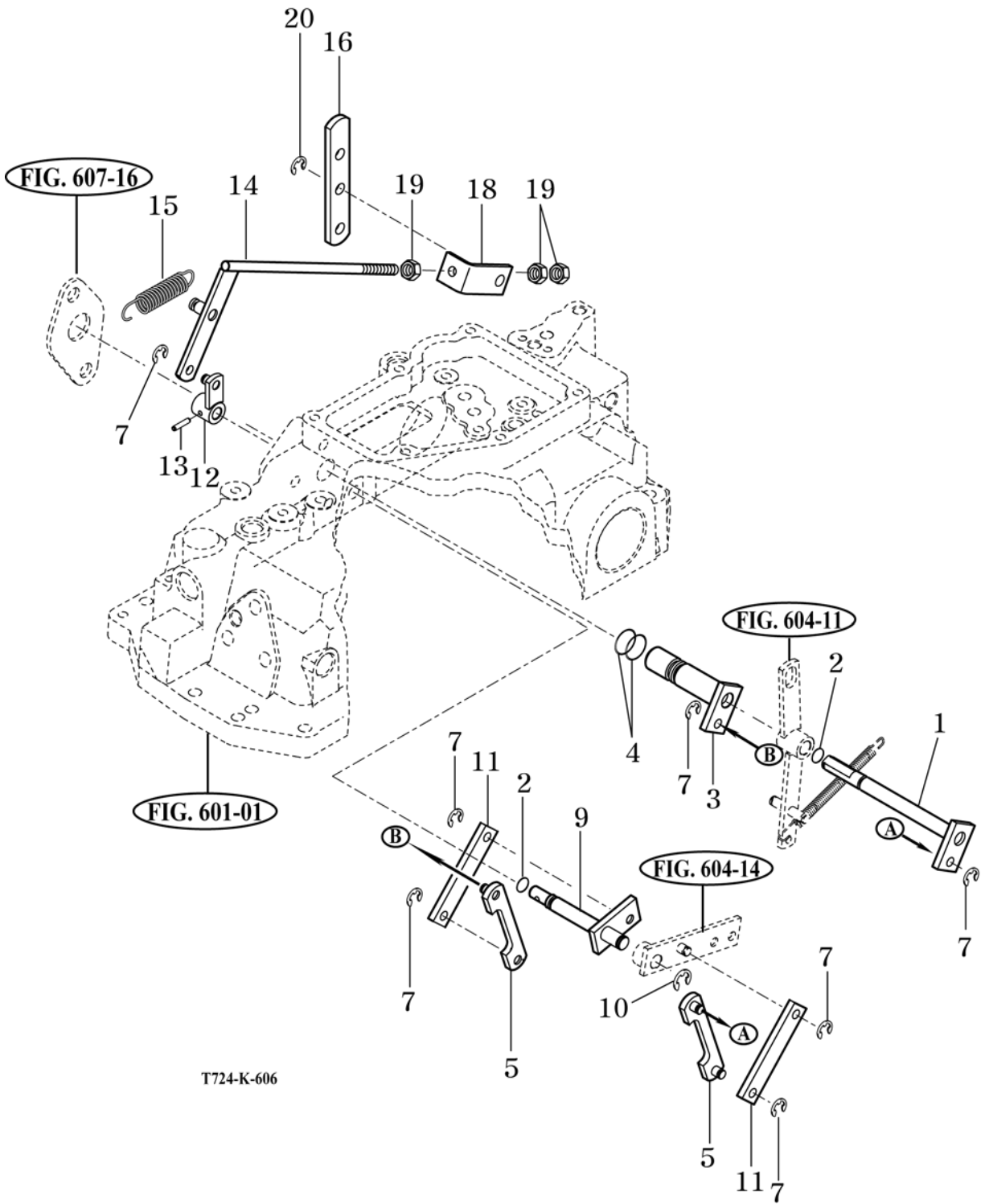
Year

P1

2018



RK74



T724-K-606

NOTE

FIG 607

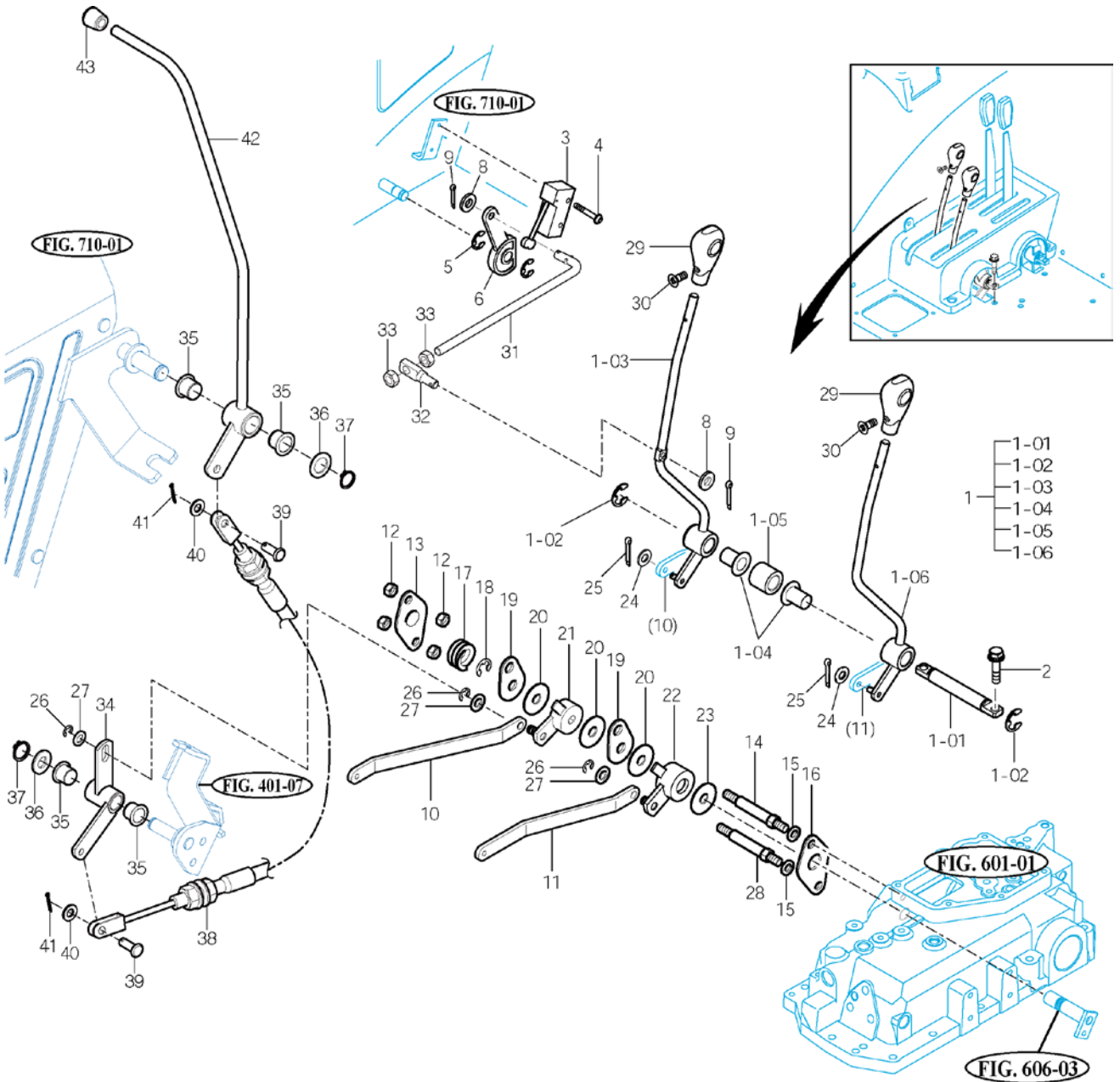
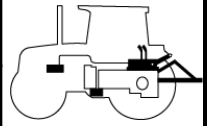
POSITION & DRAFT LEVER

RK74

P1

Year

2018



T754-K-607

NOTE

FIG 607		POSITION & DRAFT LEVER			P1	Year	
RK74						2018	
KEY NO.	PART NO.	DESCRIPTION	SPEC.	QTY.	REPAIR	EFFECTIVE DATE	REMARKS
607 001	11417092100	REVER SUB , POSITION/DRAFT		1			
607 00101	14527092110	SHAFT	D=16	1			
607 00102	V7081400150	E-RING	15	2			
607 00103	19997092201GB	LEVER COMP , POSITION		1			
607 00104	14527092120	BUSH, NYLON/16X18X27		2			
607 00105	14527092251	COLLER , SPACE		1			
607 00106	19997092301GB	LEVER COMP , DRAFT		1		-2018.02.21	
607 00106	11417092300GB	LEVER COMP , DRAFT		1		2018.02.22-	
607 002	V2183608020	BOLT , HEX/SP	M8X20	2			
607 003	16606742301	SWITCH ASSY . LIMIT		1			
607 004	V1222604025	SCREW , C/R PAN/SP	M4X25	2			
607 005	V7081400080	E-RING	8	2			
607 006	14527090020	CAM , SENSER		1			
607 008	V4111600060	WASHER , PLAIN	M6	2			
607 009	V5001920020	PIN , SPLIT	2X20	2			
607 010	18015070120	PLATE , POSITION		1			
607 011	18015070140	PLATE , DRAFTER		1			
607 012	V3043600100	NUT , HEX/2	M10	4			
607 013	17995070140	PLATE , C	3.2T	1			
607 014	17995070150	BOLT , SUPPORT	H14X108.9	1			
607 015	V4011600100	WASHER , SPRING	M10	2			
607 016	17995070170	PLATE , D	3.2T	1			
607 017	17995070180	SPRING		1			
607 018	V7081400120	E-RING	12	1			
607 019	17995070200	PLATE , A	3.2T	2			
607 020	17995070211	PLATE , FRICTION		3			
607 021	14525070221	ARM COMP		1			
607 022	14525070230	ARM COMP , DRAFT LEVER		1			
607 023	17995070241	PLATE , FRICTION	21X40X2T	1			
607 024	V4111600060	WASHER , PLAIN	M6	2			
607 025	V5001920020	PIN , SPLIT	2X20	2			
607 026	V7081400080	E-RING	8	2			
607 027	V4111600100	WASHER , PLAIN	M10	2			
607 028	17995070340	BOLT , SUPPORT		1			
607 029	19027592011	KNOB , AUX LEVER		2			
607 030	V1122804012	SCREW , C/R FLAT	M4X12	2			
607 031	19997090010	ROD,SWITCH	D=6	1			
607 032	19997090210	PIN , POSITION ROD		1			
607 033	V3002600060	NUT , HEX/1		2			
607 034	18025070500GB	ARM COMP , AUX POSITION		1			
607 035	15602870023	BUSH , 16X24X15		4		-2019.10.30	
607 035	15602870024	BUSH , 16X24X15		4		2019.10.31-	
607 036	36212110030	WASHER , TENSION ARM		2			
607 037	V7041400160	C-RING , SHAFT		2			
607 038	18025070701	CABLE ASSY , EXTERNAL POSITION		1		-2019.01.31	
607 038	18025070702	CABLE ASSY , EXTERNAL POSITION		1		2019.02.01-	
607 039	14322420010	PIN		2			
607 040	V4111600080	WASHER , PLAIN		2			
607 041	V5001925020	PIN D2.5x20		2			
607 042	18022872200GB	LEVER COMP , EXTERNAL POSITION		1			
607 043	14721120090	GRIP , HOOD LOCK		1			
NOTE							

FIG 608

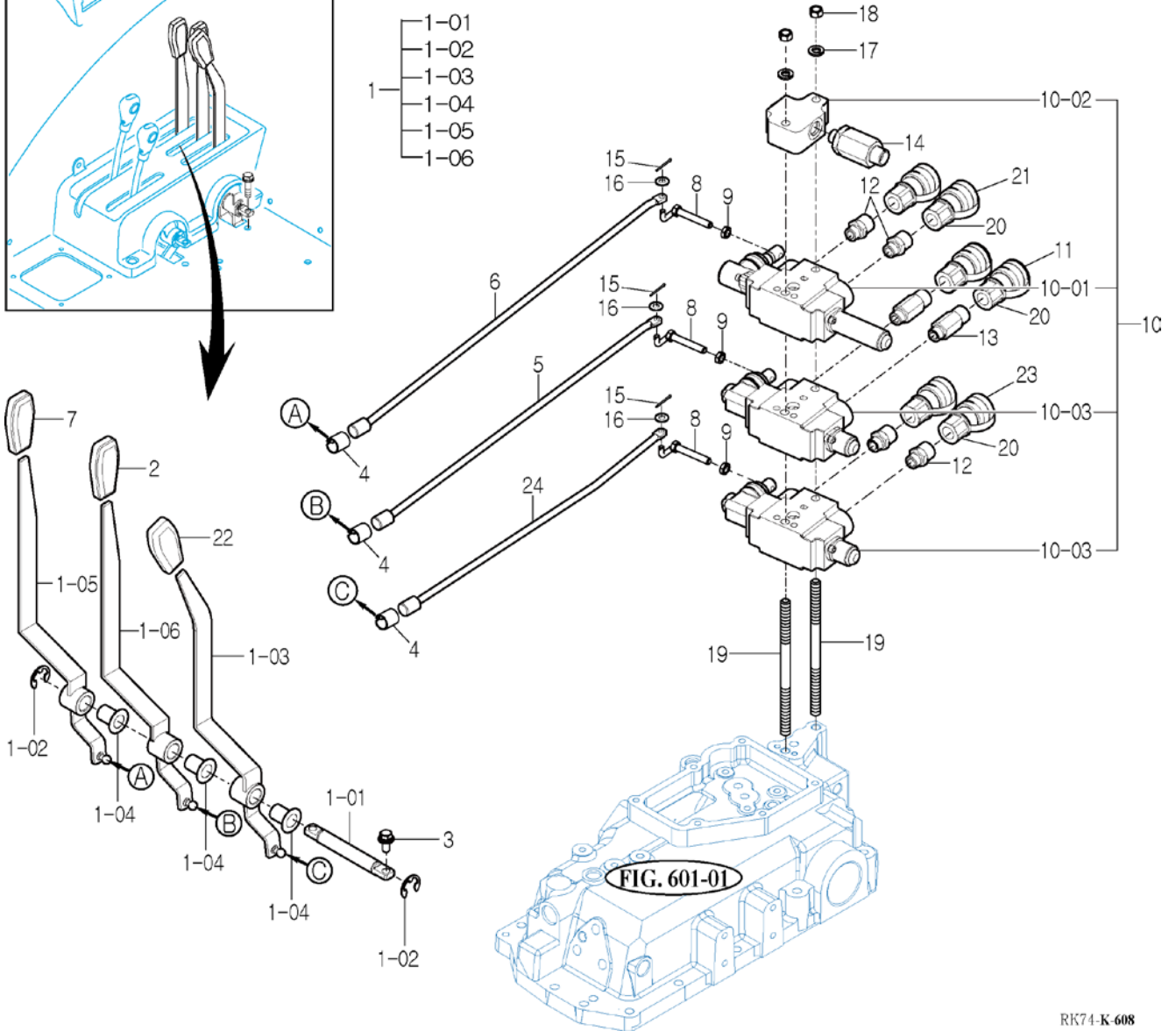
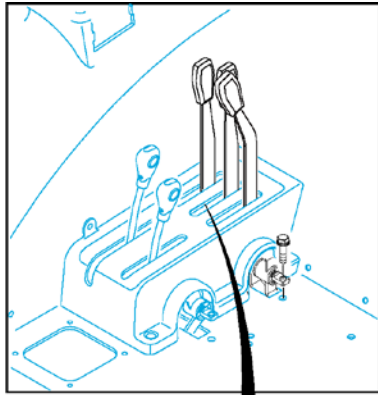
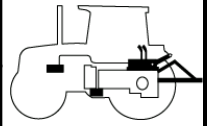
EXTERIOR HYD.VALVE(6P)

RK74

P1

Year

2018



RK74-K 608

NOTE

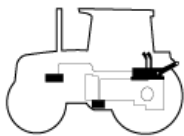
FIG 608		EXTERIOR HYD. VALVE				P1	Year	
RK74							2018	
KEY NO.	PART NO.	DESCRIPTION	SPEC.	QTY.	REPAIR	EFFECTIVE DATE	REMARKS	
608 001	18017093100	LEVER SUB, AUX		1		~2018.10.18		
608 001	18097093100	LEVER SUB, AUX		1		2018.10.19~		
608 00101	14527092110	SHAFT	D=16	1				
608 00102	V7081400150	E-RING	15	2				
608 00103	14527092251	COLLER , SPACE		1		~2018.10.18		
608 00103	18097093400GB	LEVER COMP,AUX/C		1		2018.10.19~		
608 00104	14527092120	BUSH, NYLON/16X18X27		2		~2018.10.18		
608 00104	14527092120	BUSH, NYLON/16X18X27		3		2018.10.19~		
608 00105	17337093200GB	LEVER COMP,AUX/A		1				
608 00106	17337093300GB	LEVER COMP,AUX/B		1				
608 002	17812420050	GRIP , GREEN		1				
608 003	V2183608016	BOLT , HEX/SP	M8X20	2				
608 004	17995080091	SPRING , LOCK		2		~2018.10.18		
608 004	17995080091	SPRING , LOCK		3		2018.10.19~		
608 005	18017095201	ROD COMP , EXTERIOR HYD/B		1		~2018.10.18		
608 005	18097095200	ROD COMP , EXTERIOR HYD/B		1		2018.10.19~		
608 006	18017095300	ROD COMP , EXTERIOR HYD/A		1		~2018.10.18		
608 006	18097095300	ROD COMP , EXTERIOR HYD/A		1		2018.10.19~		
608 007	17812420040	GRIP , BLUE		1		2018.10.19~		
608 008	19965081202	PIN COMP, L		2		~2018.10.18		
608 008	19965081202	PIN COMP, L		3		2018.10.19~		
608 009	V3013600080	NUT .HEX NORMAL /2		2		~2018.10.18		
608 009	V3013600080	NUT .HEX NORMAL /2		3		2018.10.19~		
608 010	18025080151	VALVE SUB , AUX EXTERIOR 4P		1		~2018.10.18		
608 010	18095080150	VALVE SUB , AUX EXTERIOR 6P		1		2018.10.19~		
608 01001	18025080950	VALVE , AUX EXTERIOR FLOATING/		1				
608 01002	18025080970M	COVER , EXTERIOR HYD		1				
608 01003	18025080960	VALVE , AUX EXTERIOR SPRING		1		~2018.10.18		
608 01003	18025080960	VALVE , AUX EXTERIOR SPRING		2		2018.10.19~		
608 011	16995152420	CAP , DUST		2		~2018.10.18		
608 011	18715152420	CAP , DUST Green		2		2018.10.19~		
608 012	17995080201	UNION , 1/2		2		~2018.10.18		
608 012	17995080201	UNION , 1/2		4		2018.10.19~		
608 013	17995080931	UNION , 1/2 L60		2				
608 014	14545163200	FILTER COMP , LINE		1				
608 015	V5001920020	PIN , SPLIT		2				
608 016	V4111600060	WASHER , PLAIN		2				
608 017	V4011600100	WASHER , SPRING	M10	2				
608 018	V3043600100	NUT , HEX/2	M10	2				
608 019	16735080892	BOLT , STUD 155		2		~2018.10.18		
608 019	17995080892	BOLT , STUD 205		2		2018.10.19~		
608 020	16995152360	COUPLING , 1/2		4		~2018.10.18		
608 020	16995152360	COUPLING , 1/2		6		2018.10.19~		
608 021	18715152420	CAP , DUST Green		2		~2018.10.18		
608 021	18715152410	CAP , DUST BLUE		2		2018.10.19~		
608 022	14322420040	GRIP , B		1		~2018.12.12		
608 022	34523030020	GRIP , THROTTLE		1		2018.12.13~		
608 023	16995152420	CAP , DUST		2		2018.10.19~		
608 024	18097095100	ROD COMP , EXTERIOR HYD/C		1		2018.10.19~		
NOTE								

FIG 609

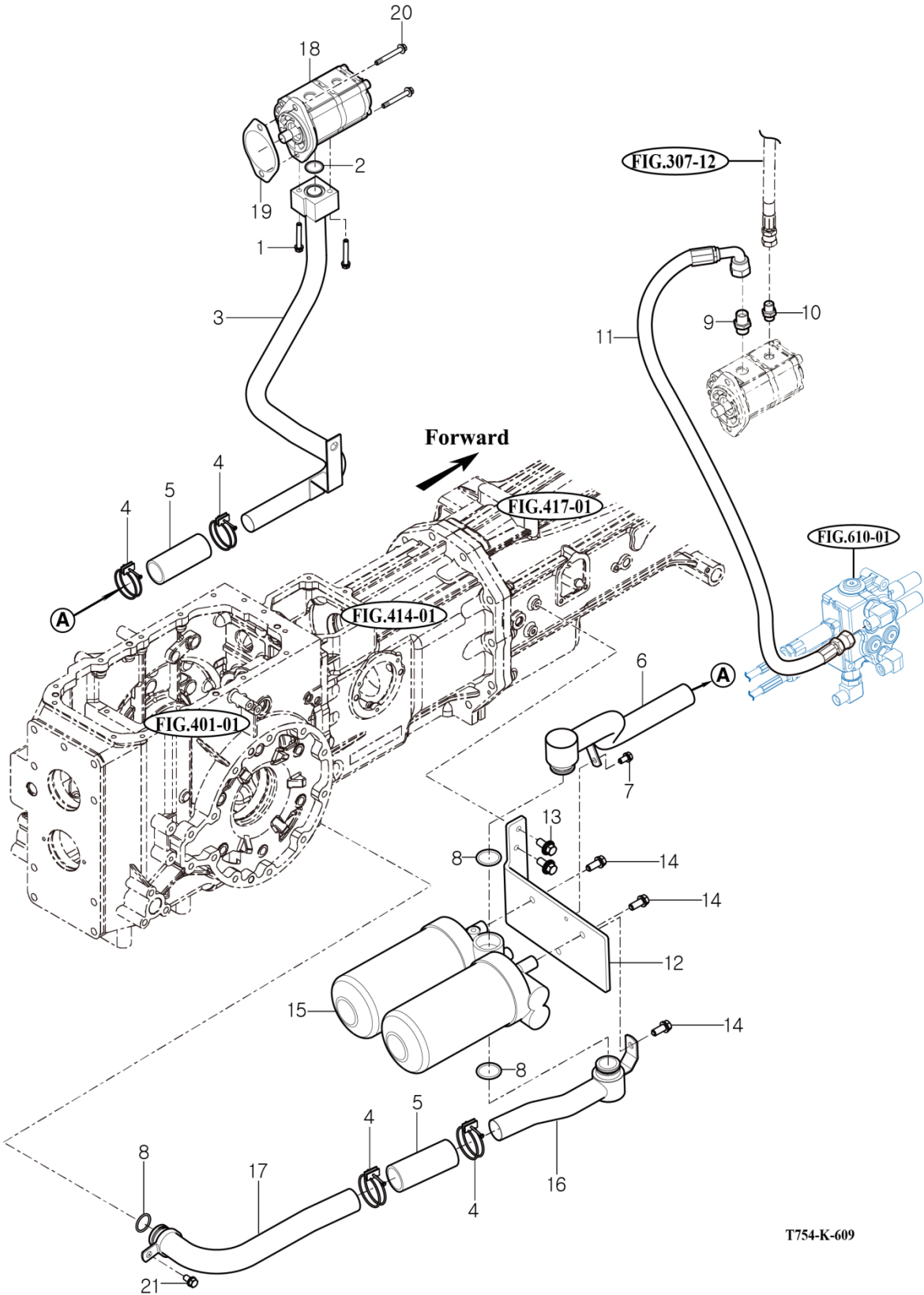
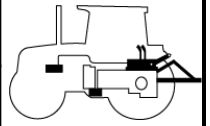
HYDRAULIC PIPE

RK74

P1

Year

2018



T754-K-609

NOTE

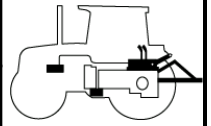
FIG 610

JOYSTICK

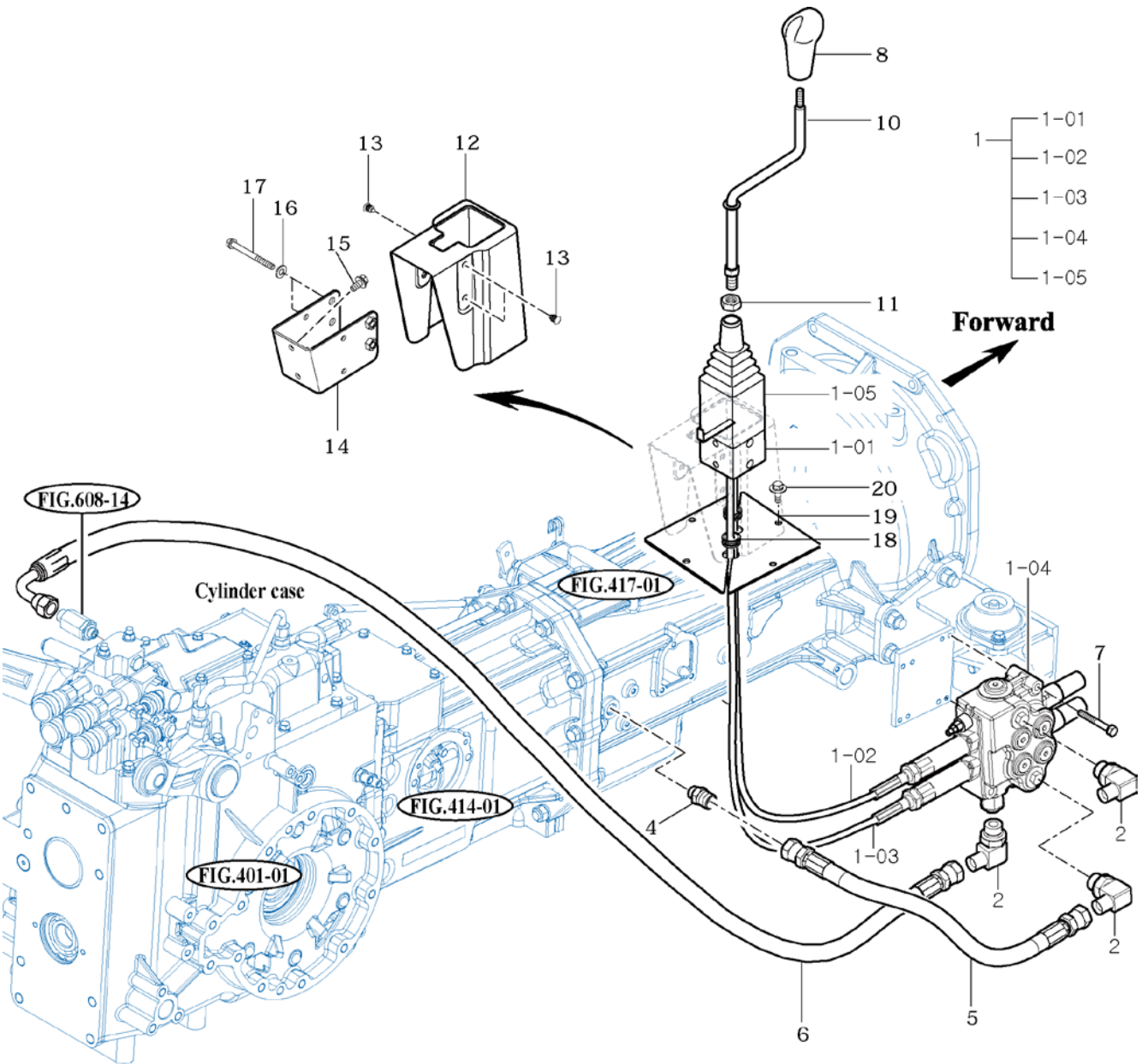
Year

P1

2018



RK74



T754-K-610

NOTE

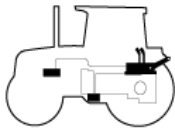
FIG 611		HITCH & 3-P LINK			P1	Year	
RK74						2018	
KEY NO.	PART NO.	DESCRIPTION	SPEC.	QTY.	REPAIR	EFFECTIVE DATE	REMARKS
611 001	18015202000GB	BRACKET COMP , DRAW BAR/SWING		1			
611 002	V2013614035	BOLT , HEX	M14X35	4			
611 003	V4011600140	WASHER , SPRING	M14	4			
611 004	V2013616035	BOLT , HEX	M16X35	2			
611 005	V3043600160	NUT , HEX/2	M16	4			
611 006	V4011600160	WASHER , SPRING	M16	4			
611 007	17332470010GB	LINK , DRAW BAR SWING		1			
611 008	18992470020GB	LINK , HITCH		1			
611 009	17332472010	PIN , DRAWBAR		1			
611 010	15189240160	NUT , NYLON , M16		2			
611 011	V2004616080	BOLT , HEX	M16X80	2			
611 012	15645220011	PIN , 19X86		2			
611 013	S2169908420	PIN , SNAP / 28		1			
611 015	14215020020	PIN , LINK		1			
611 016	15645220011	PIN , 19X86		2			
611 017	14445140051	PIN , 19		2			
611 021	18015222000GB	BRACKET COMP		1			
611 022	V2013616035	BOLT , HEX	M16X35	3			
611 023	V4011600080	WASHER , SPRING	M16	5			
611 024	17975222102GB	LINK COMP		1			
611 025	15645250010	PIN , 19X122		2			
611 027	15645220020	PIN , 19X95		1			
611 028	14445140051	PIN , 19		3			
611 029	18015254101GB	BRACKET COMP		1			
611 030	13605200012GB	COVER , SHIELD		1			
611 031	V2183608016	BOLT , HEX/SP	M8X16	4			
611 034	18015254101GB	BRACKET COMP		1			
611 035	V2013614030	BOLT , HEX	M14X30	8			
611 038	17975252710	PIN , LOWER LINK		1			
611 039	17975252810	PIN , LOWER LINK		1			
611 041	V4011600140	WASHER , SPRING	M14	6			
611 043	V2013614060	BOLT , HEX	M14X60	6			
611 050	18015200500	BRACKET ASSY		1			
611 055	17995201002GB	LINK ASSY . TOP LINK		1			
611 05501	17995201300	ROD COMP , RH		1			
611 05502	17995201101	ROD COMP , LH		1			
611 05503	17995201202	SLEEVE COMP		1			
611 05504	17995201400	NUT , LOCK M12		1			
611 061	17995201500	BALL , TOP LINK		1			
611 063	14215020020	PIN , LINK		2			
611 080	18025253000GB	LINK ASSY , ADJUSTER		2			
611 081	17995253102	ROD ASSY , TIE		2			
611 082	17995253200	PIN COMP		4			
611 083	17995253302GB	SLEEVE COMP		4			
611 085	19025205300	ROD COMP , R		2			
611 086	S2167091722	PIN , 20X59		4			
		-NEXT-					
NOTE							

FIG 612

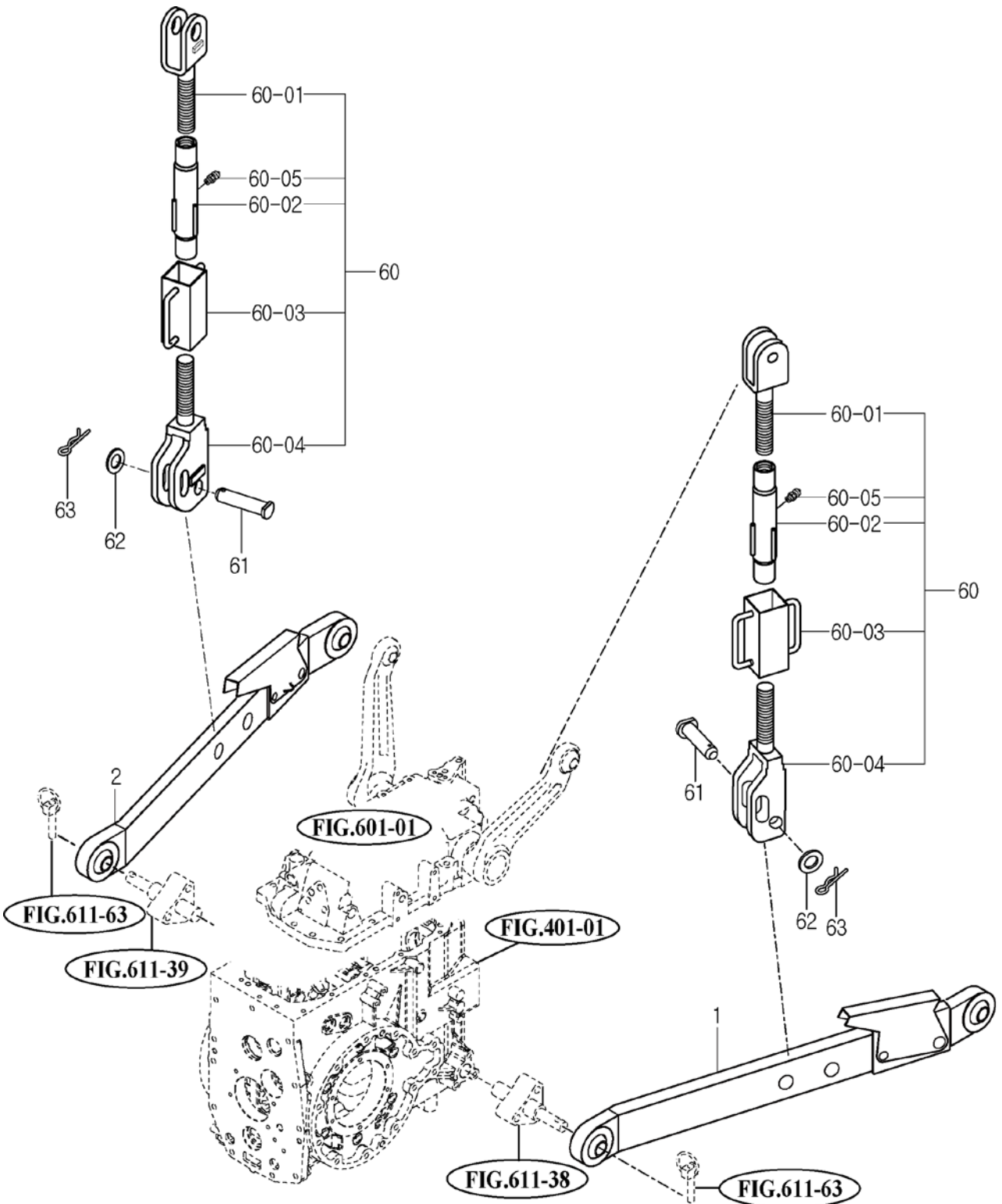
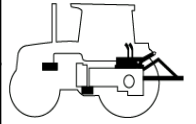
LOWER LINK & LIFT ROD

RK74

P1

Year

2018



T754-K-612

NOTE

FIG 613

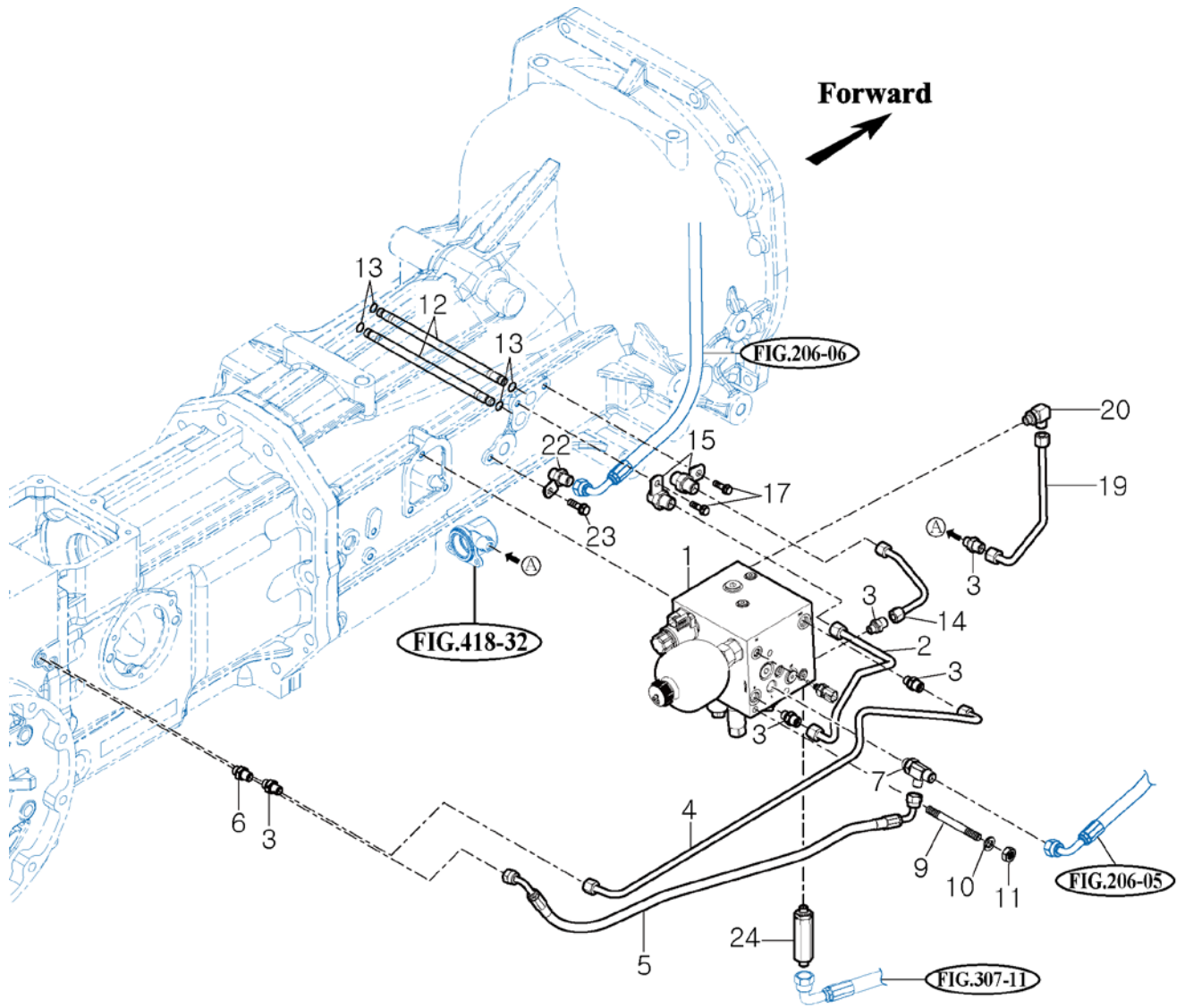
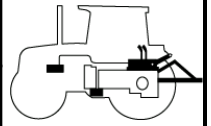
HYDRAULIC HOSE

RK74

P1

Year

2018



T754SC-K-613

NOTE

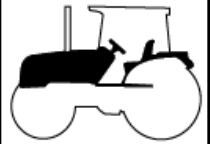
FIG 701

HOOD

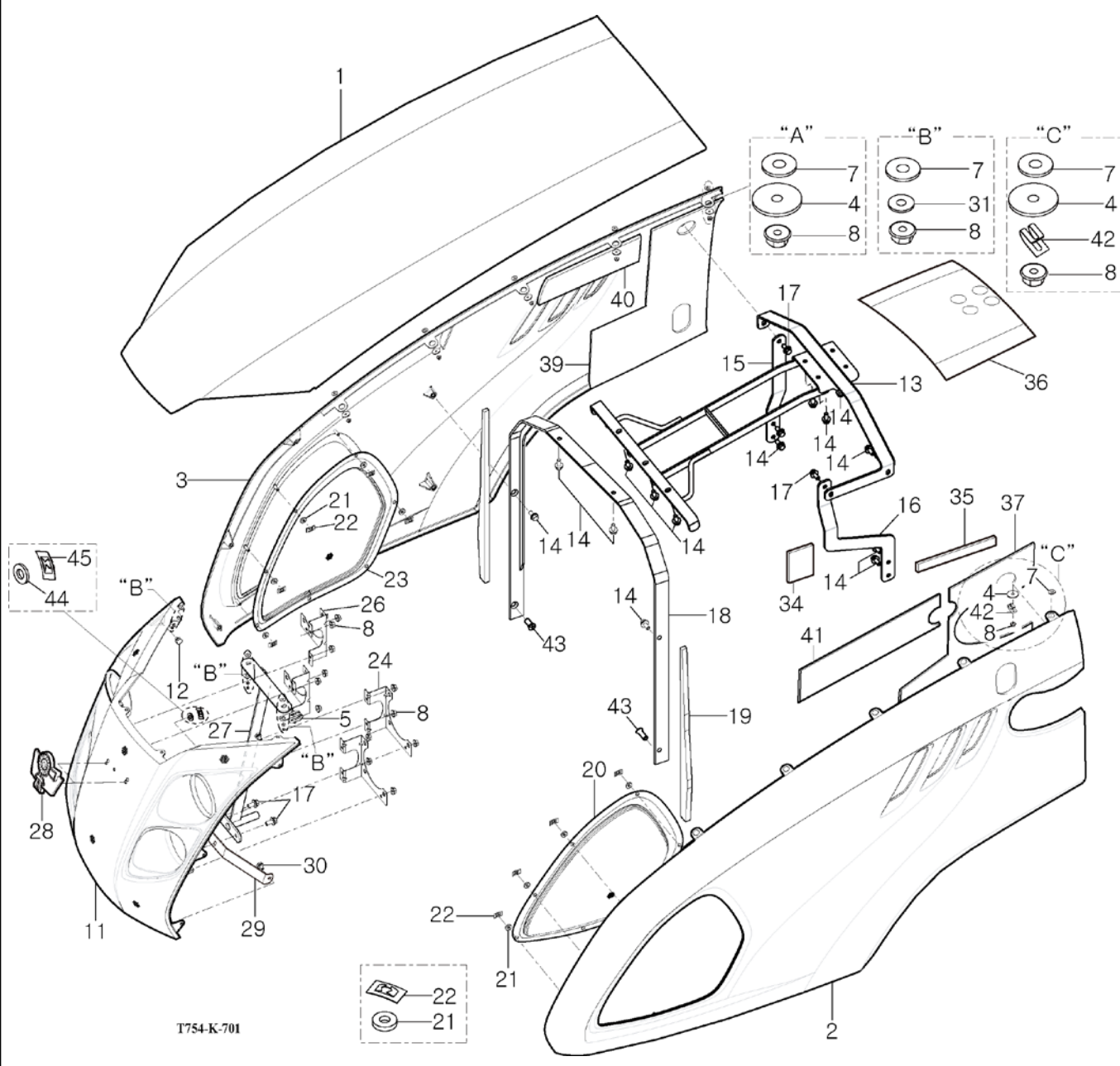
P1

Year

2018



RK74



T754-K-701

NOTE

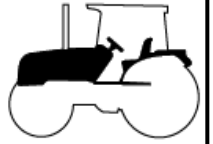
FIG 702

FRONT FRAME

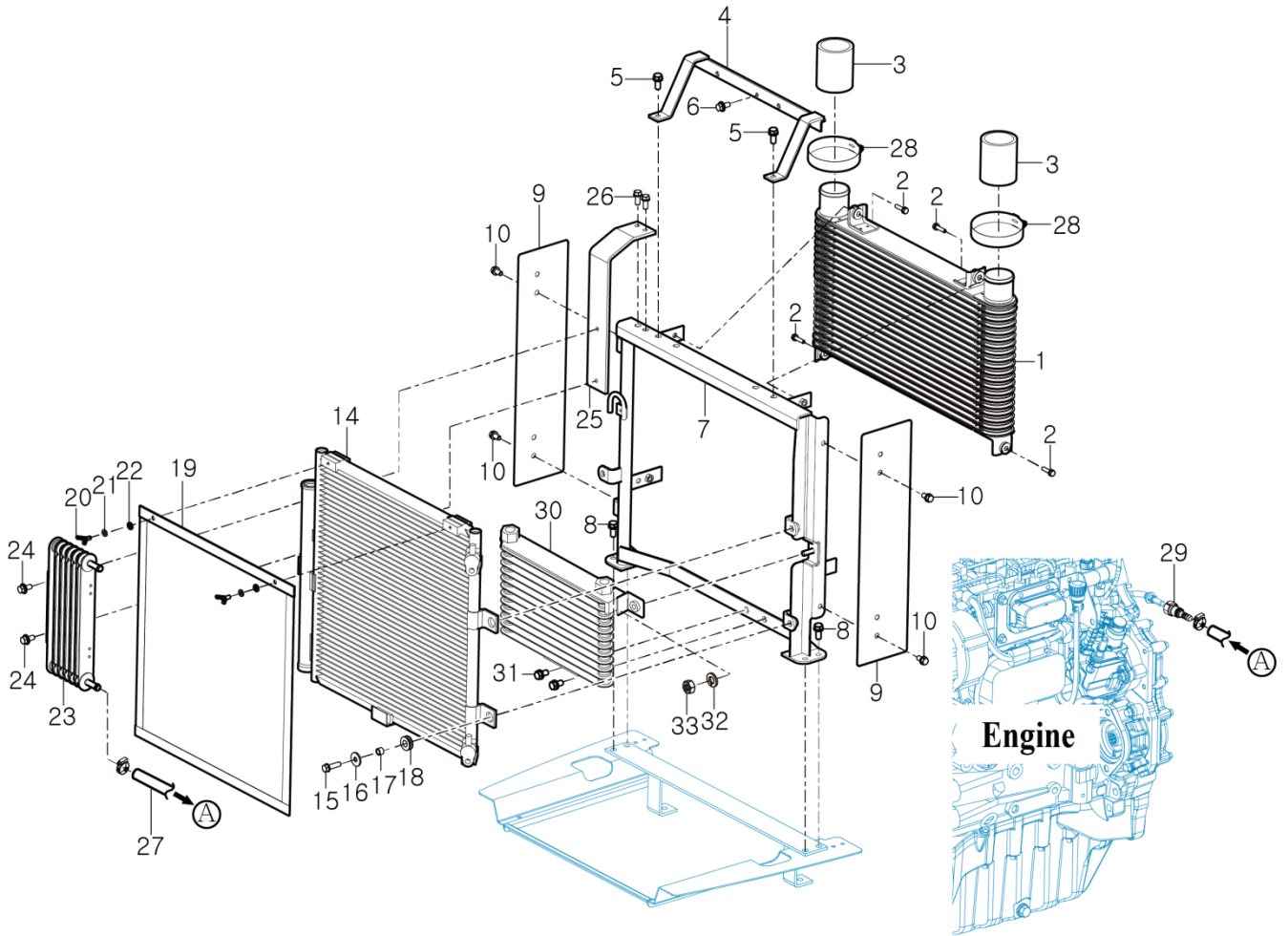
P1

Year

2018



RK74



T754-K-702

NOTE

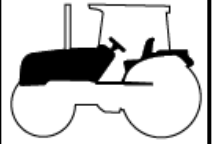
FIG 703

SIDE SUPPORT & FRAME HOOD

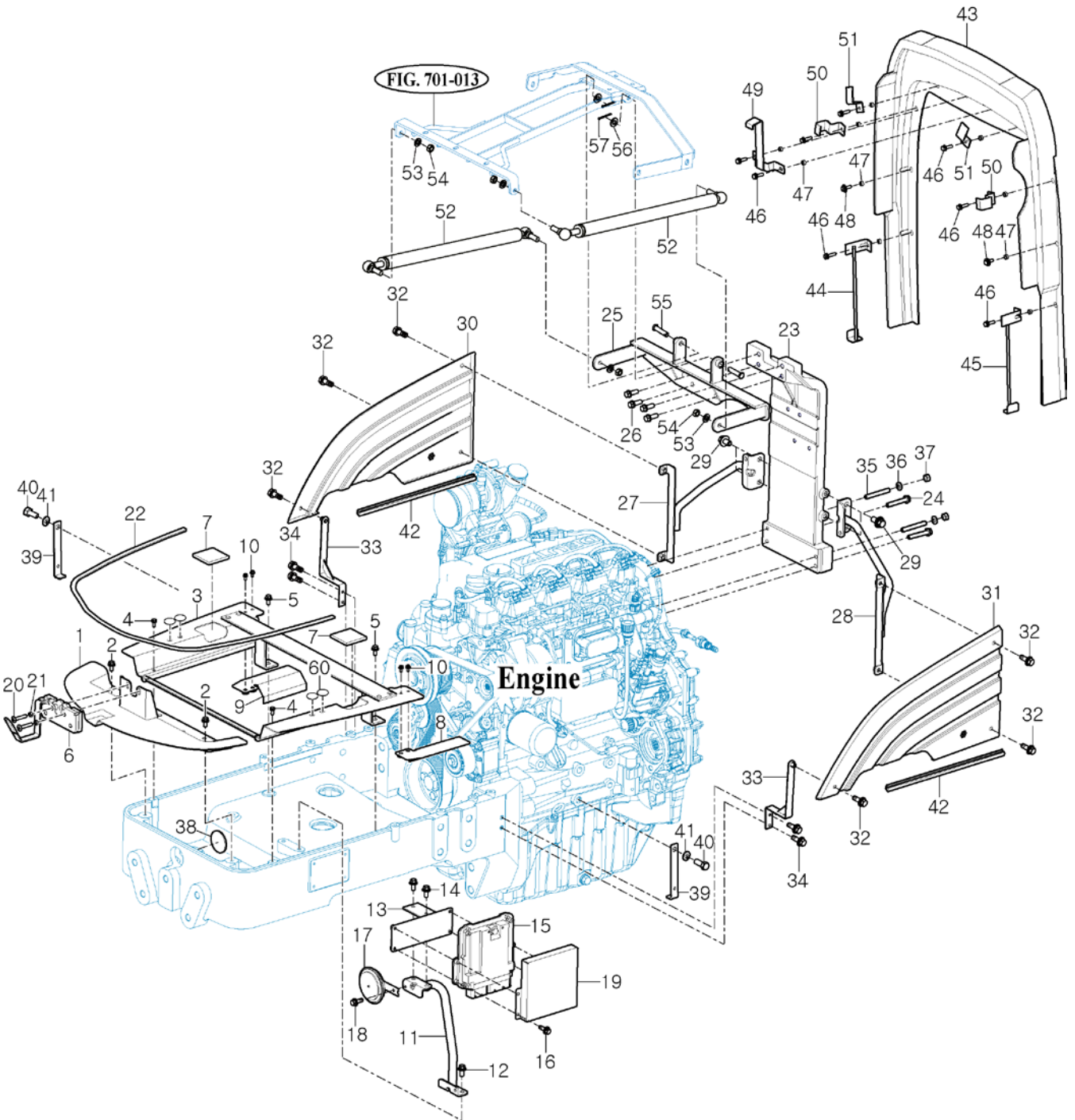
P1

Year

2018



RK74



T754-K-703

NOTE

FIG 703

SIDE SUPPORT & FRAME HOOD

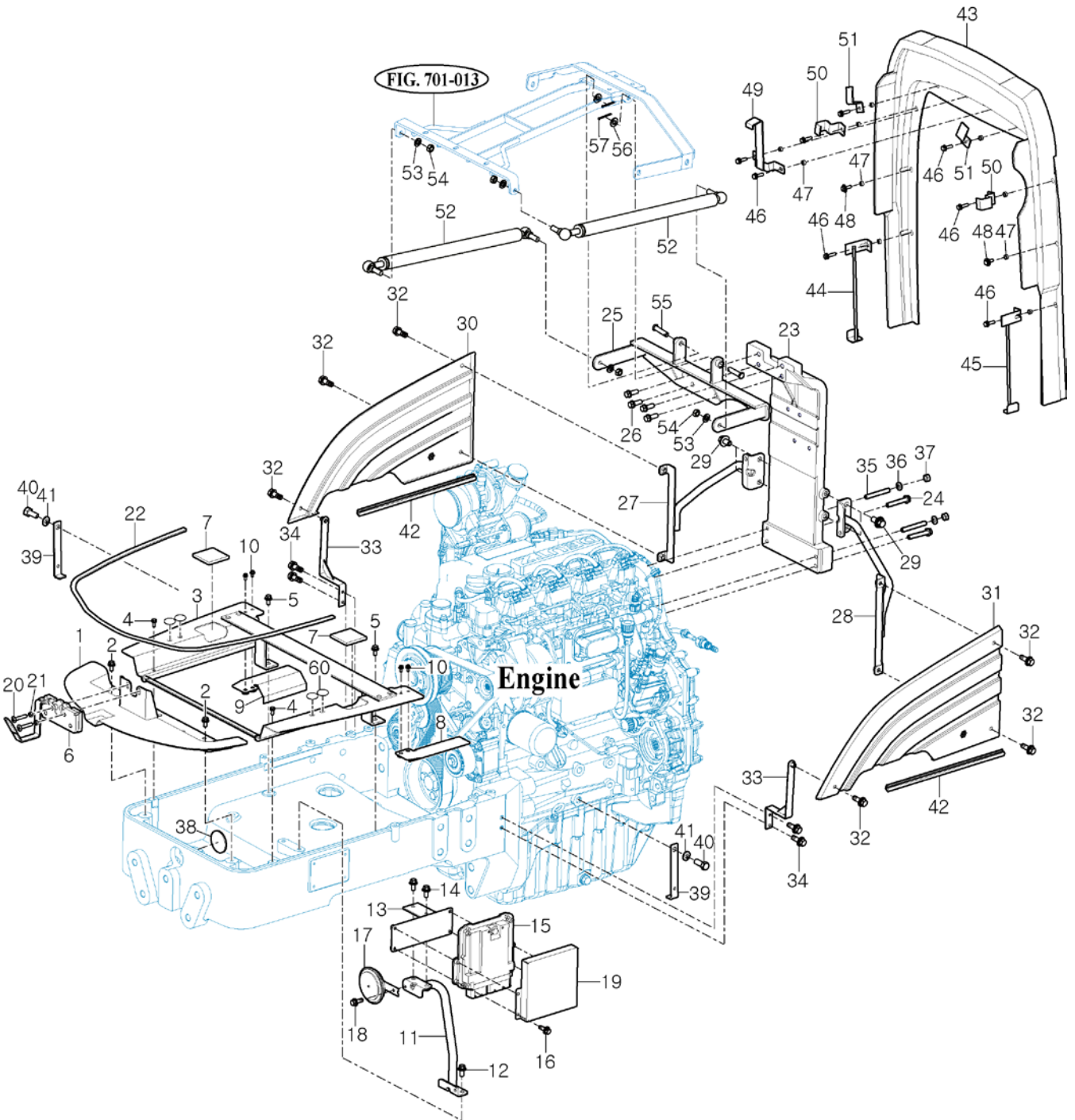
P2

Year

2018



RK74



T754-K-703

NOTE

FIG 704

LEVER COVER & STEP

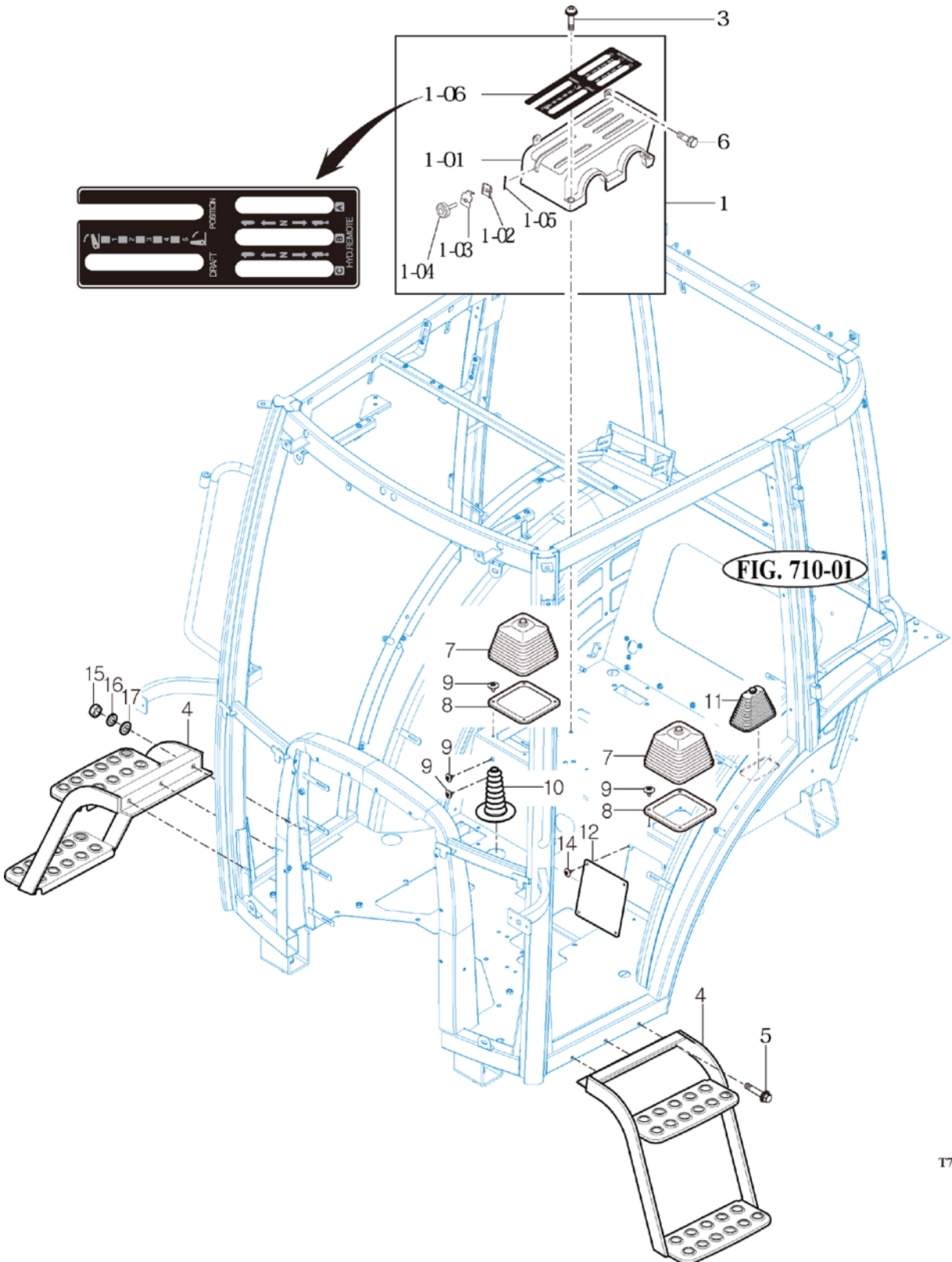
P1

Year

2018



RK74



T743-K-704

NOTE

FIG 705

FRONT & REAR MOUNTING

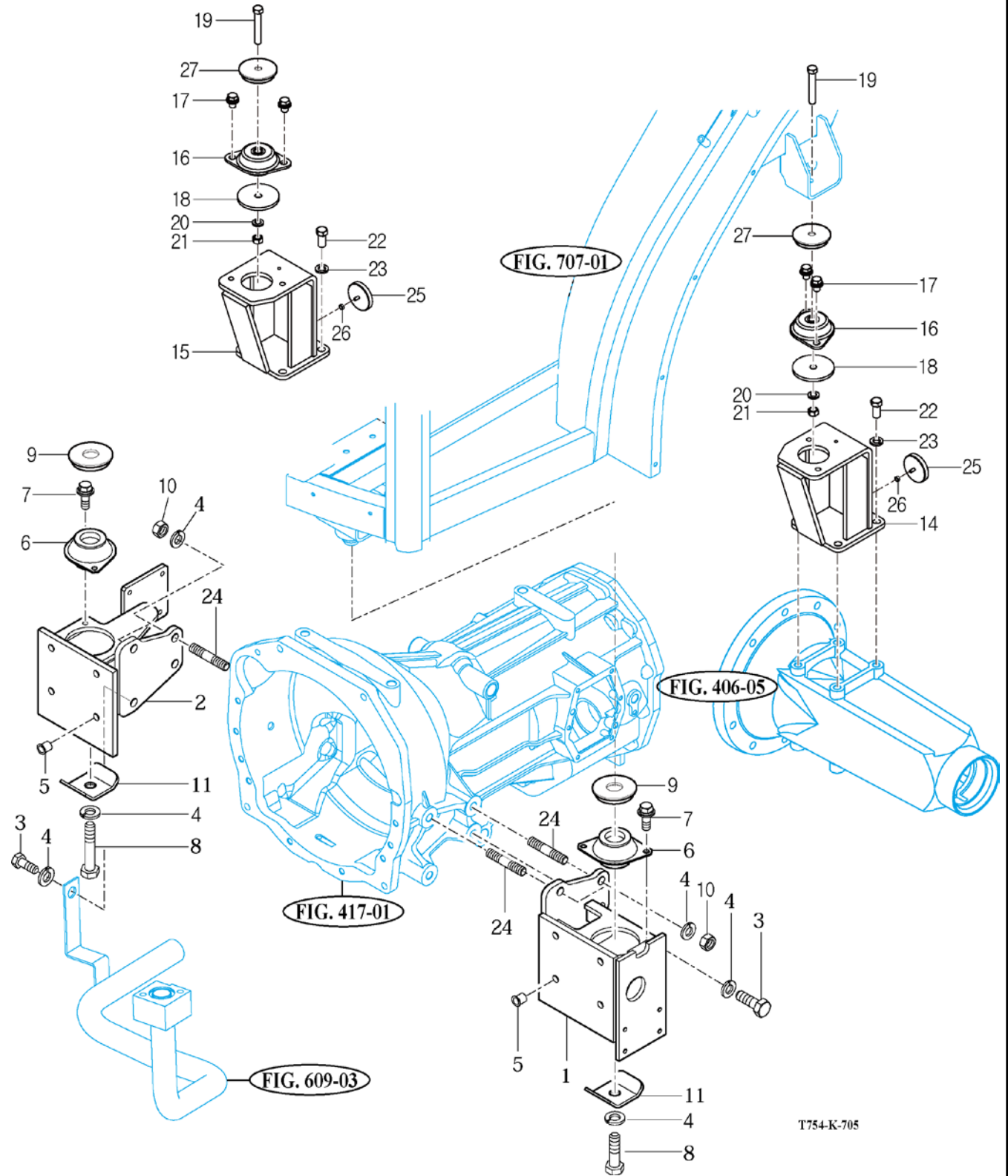
P1

Year

2018



RK74



T754-K-705

NOTE

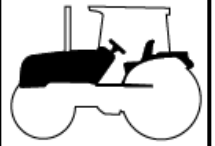
FIG 706

SEAT & MAT

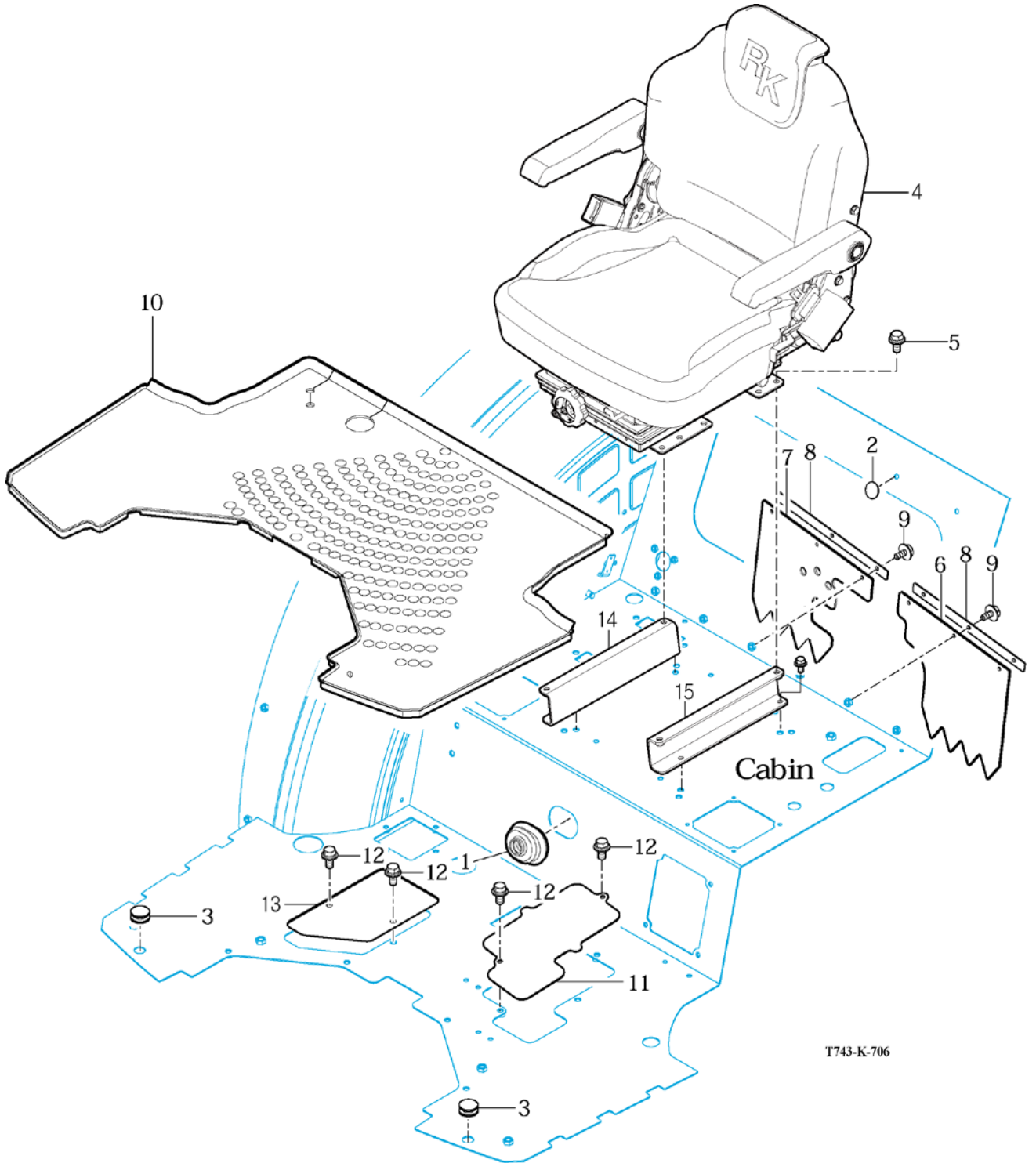
P1

Year

2018



RK74



T743-K-706

NOTE

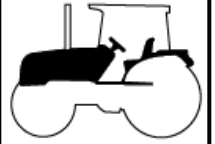
FIG 709

DOOR

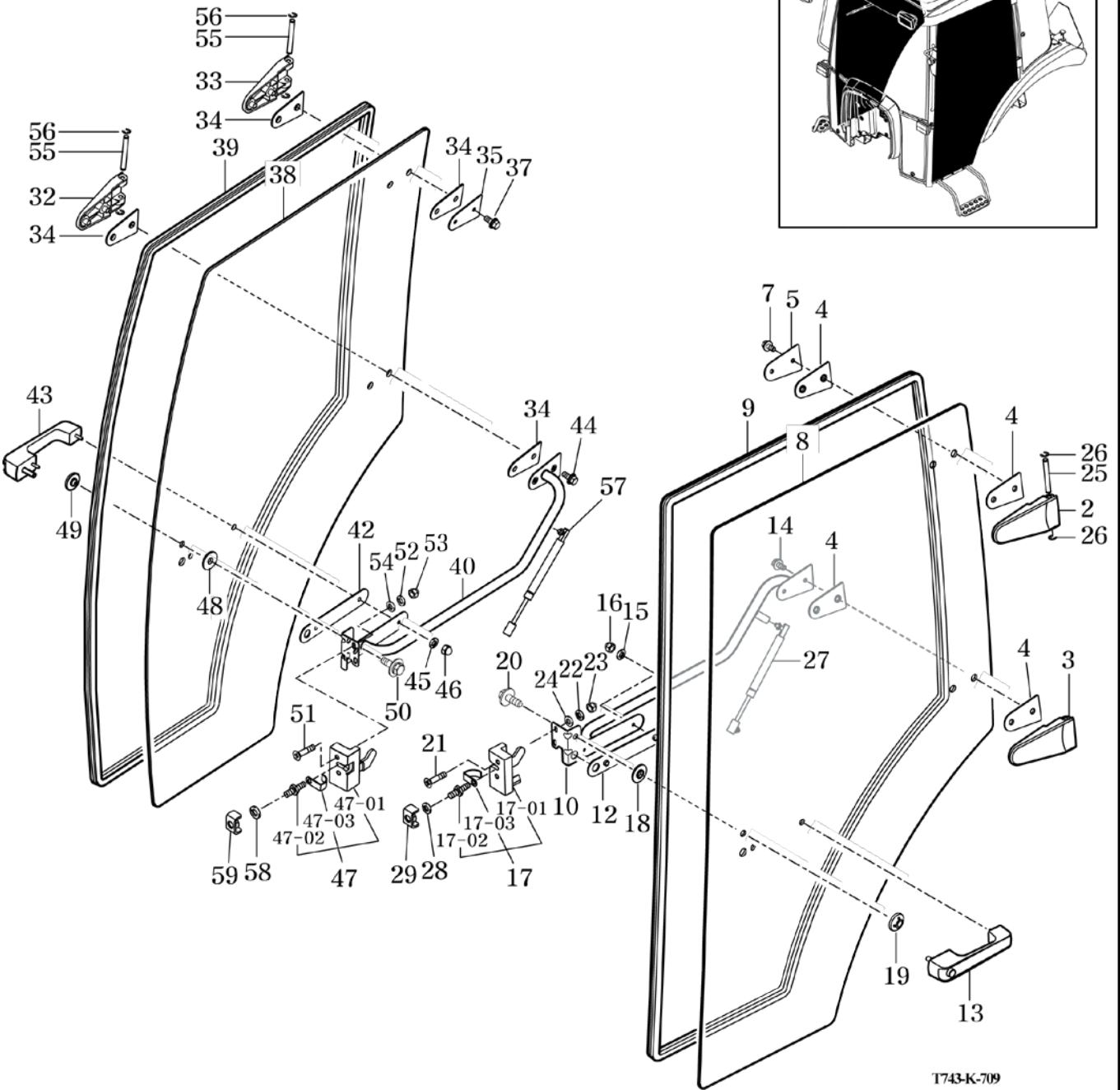
P1

Year

2018



RK74



T743-K-709

NOTE

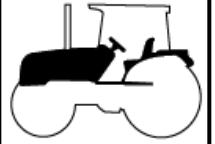
FIG 709

DOOR

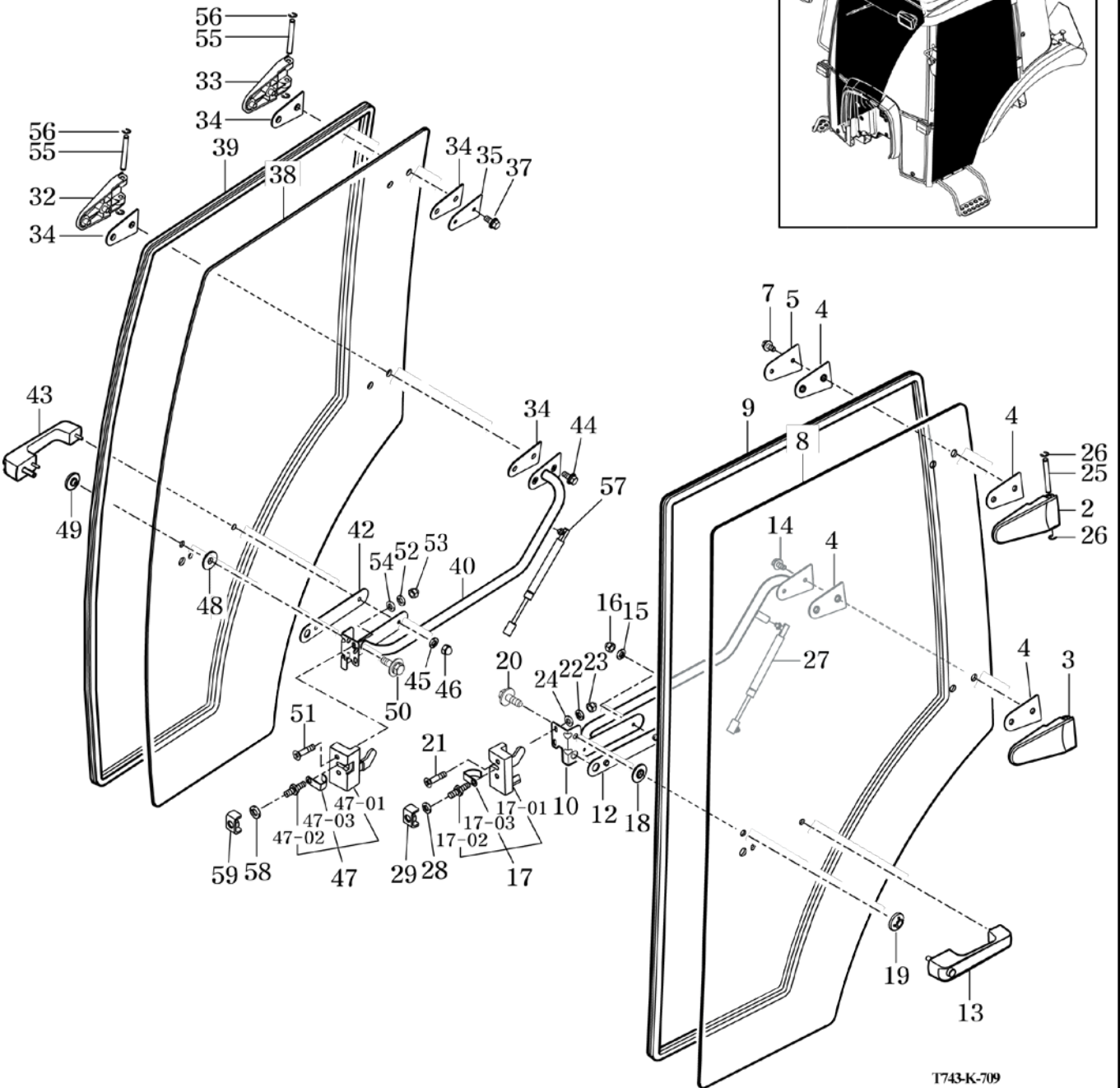
P2

Year

2018



RK74



T743-K-709

NOTE

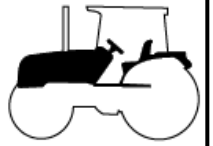
FIG 710

FRONT GLASS

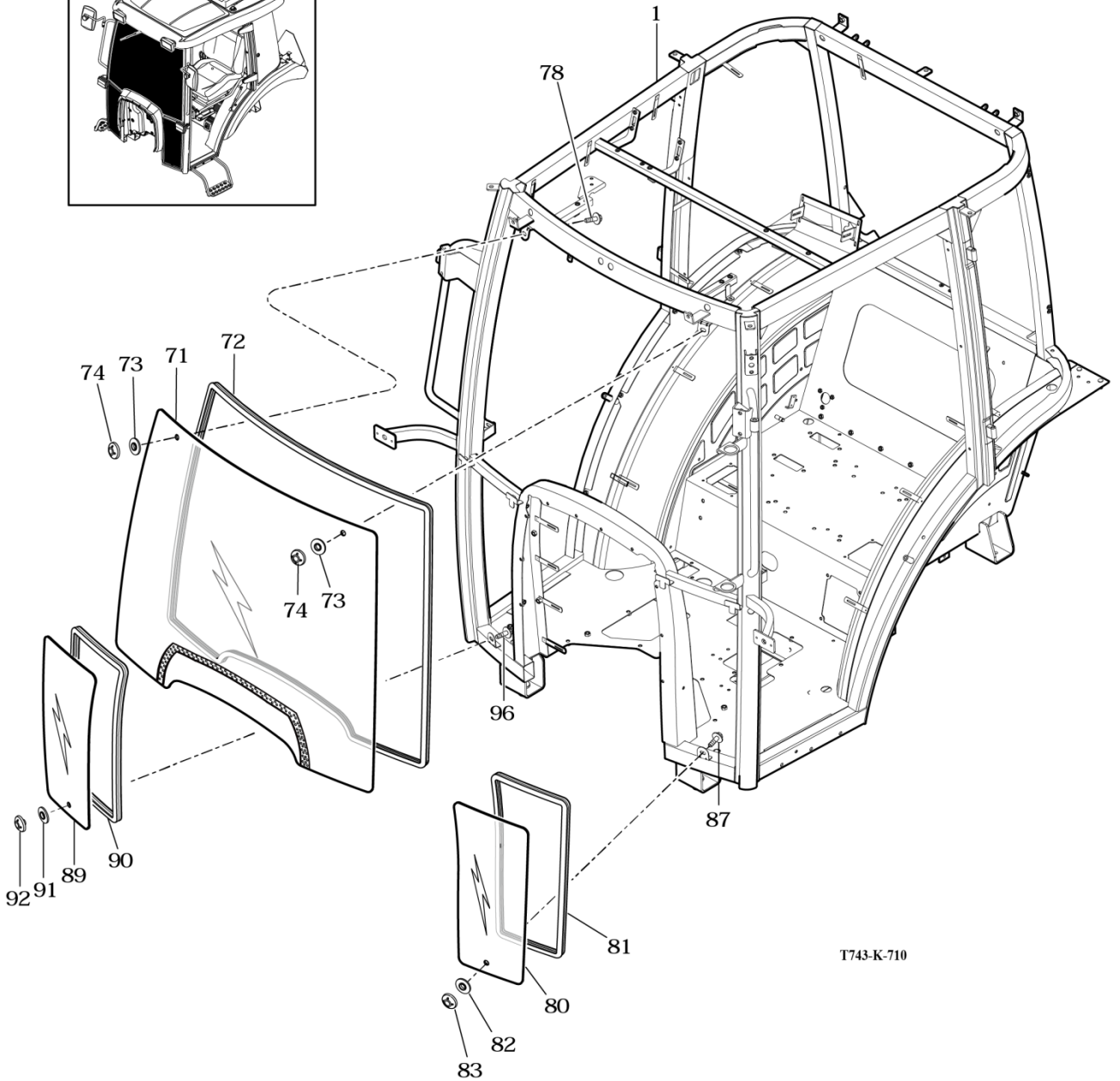
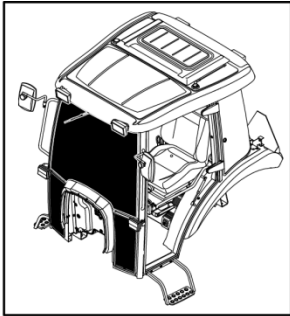
P1

Year

2018



RK74



T743-K-710

NOTE

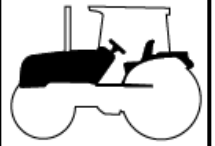
FIG 711

SIDE GLASS

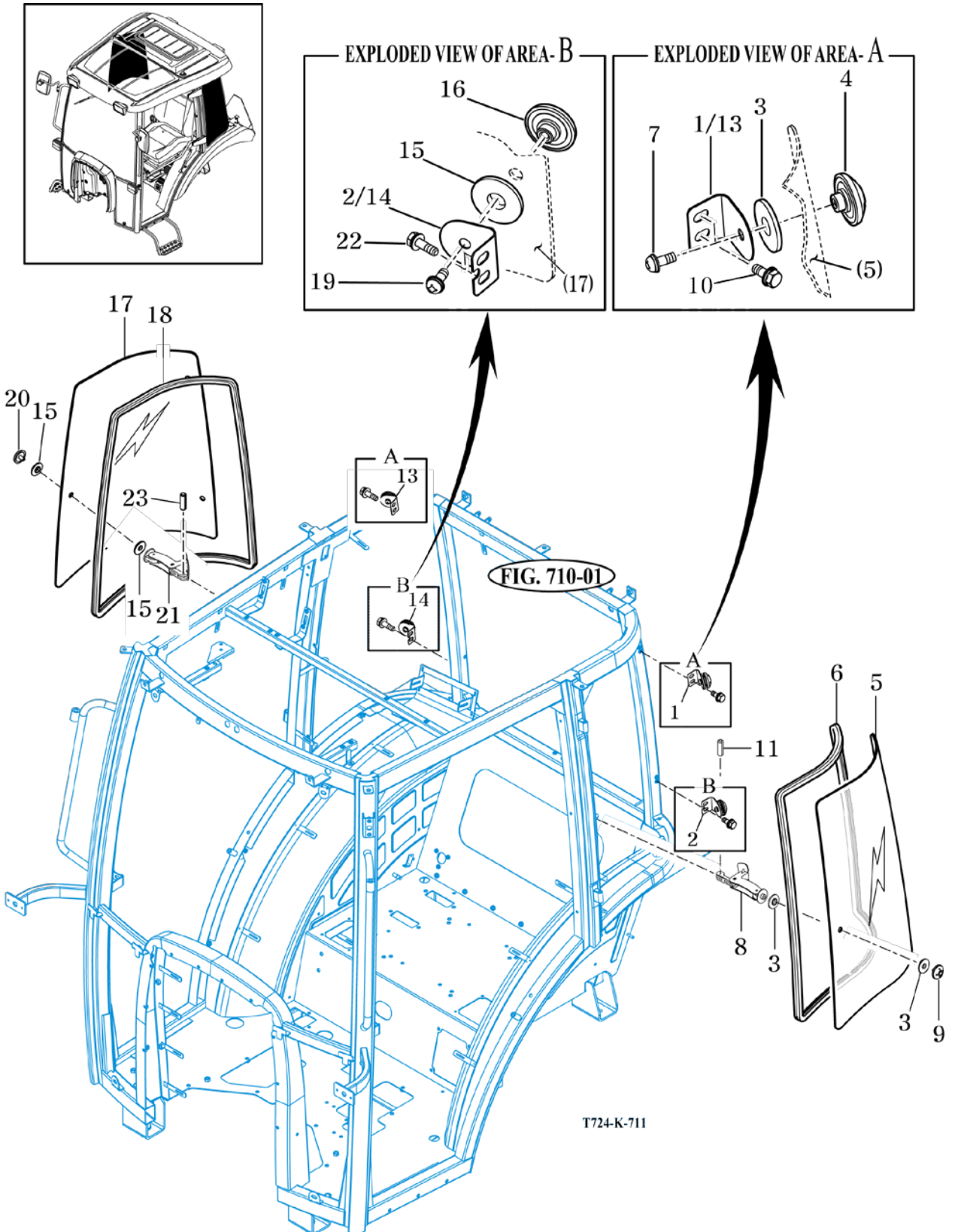
P1

Year

2018



RK74



T724-K-711

NOTE

FIG 712

REAR GLASS

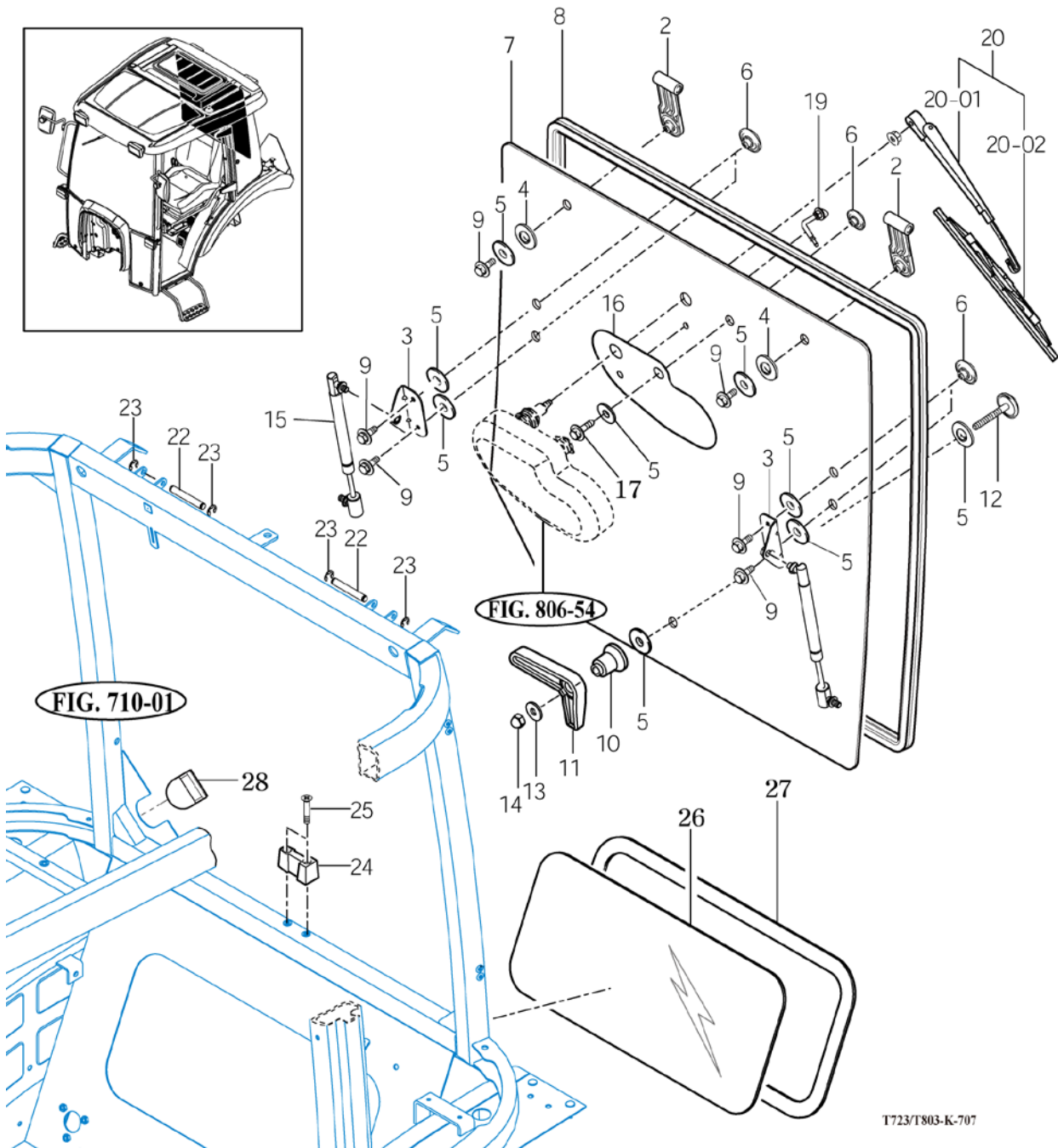
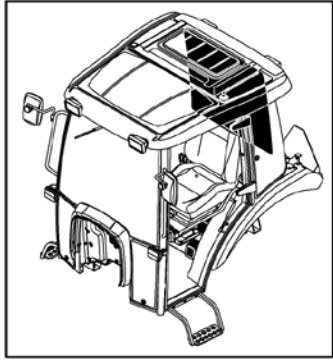
P1

Year

2018



RK74



T723/T803-K-707

NOTE

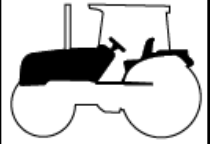
FIG 713

SUB FENDER & COVER

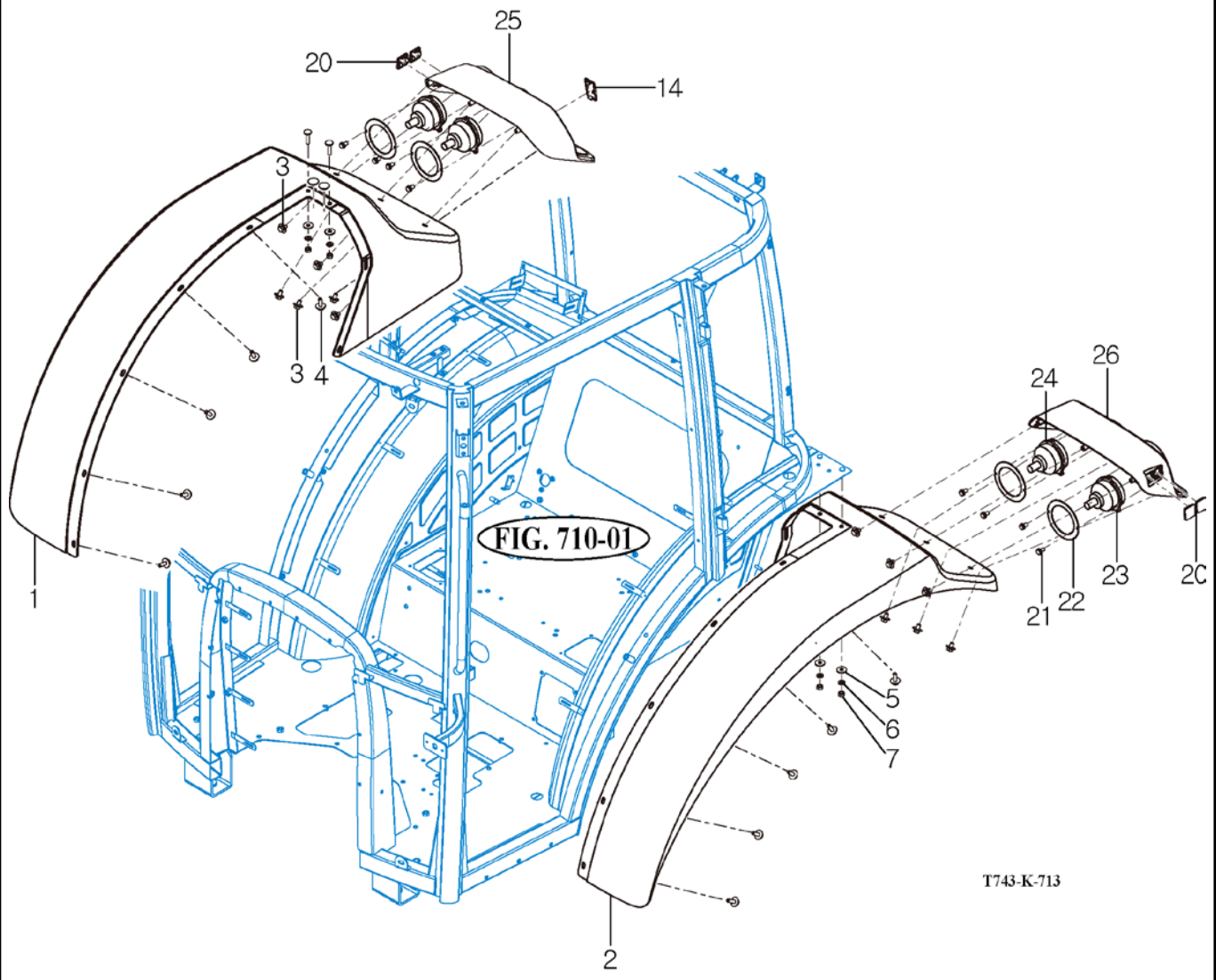
P1

Year

2018

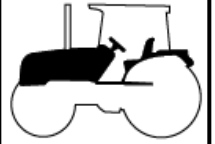


RK74

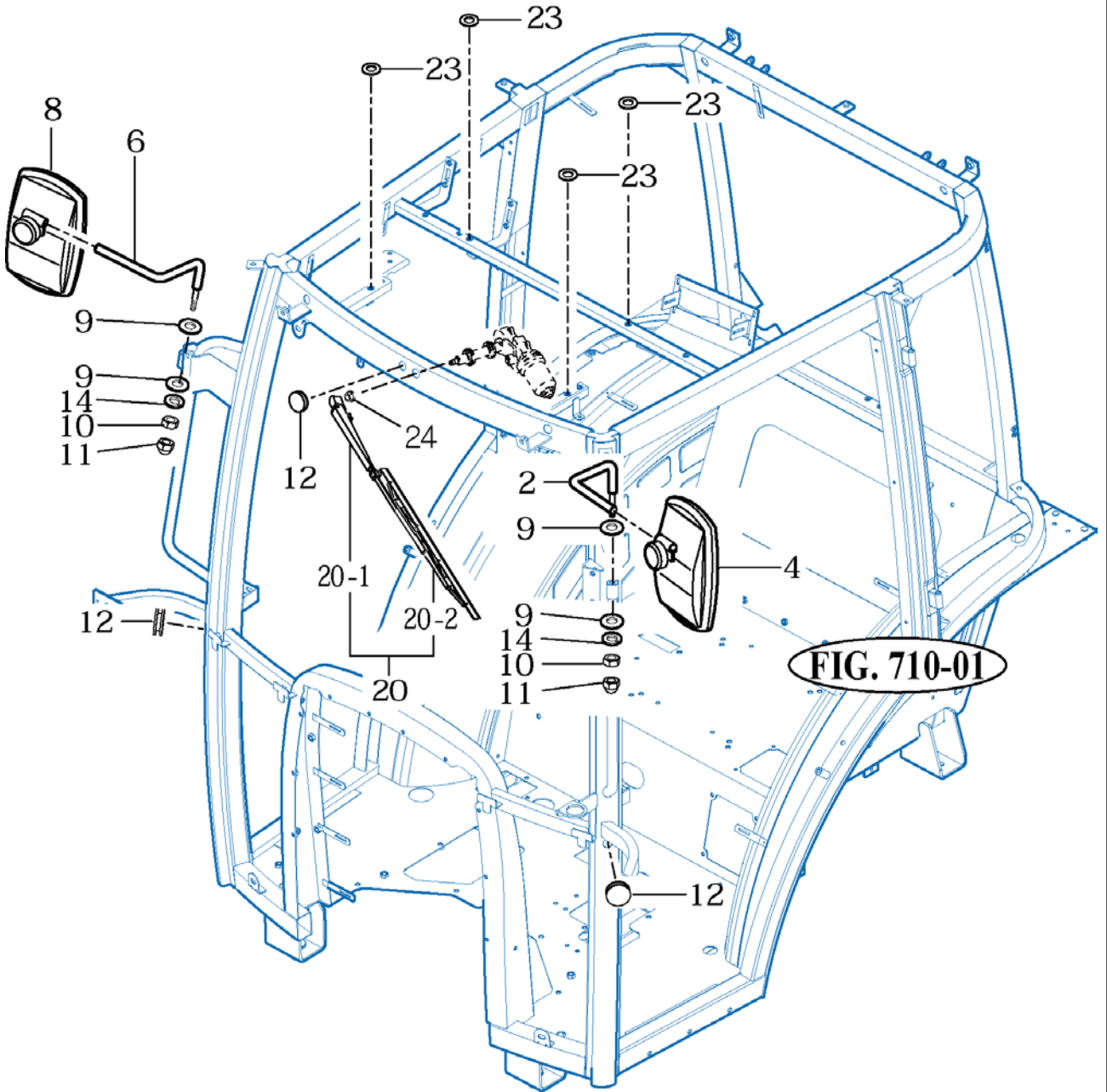


T743-K-713

NOTE



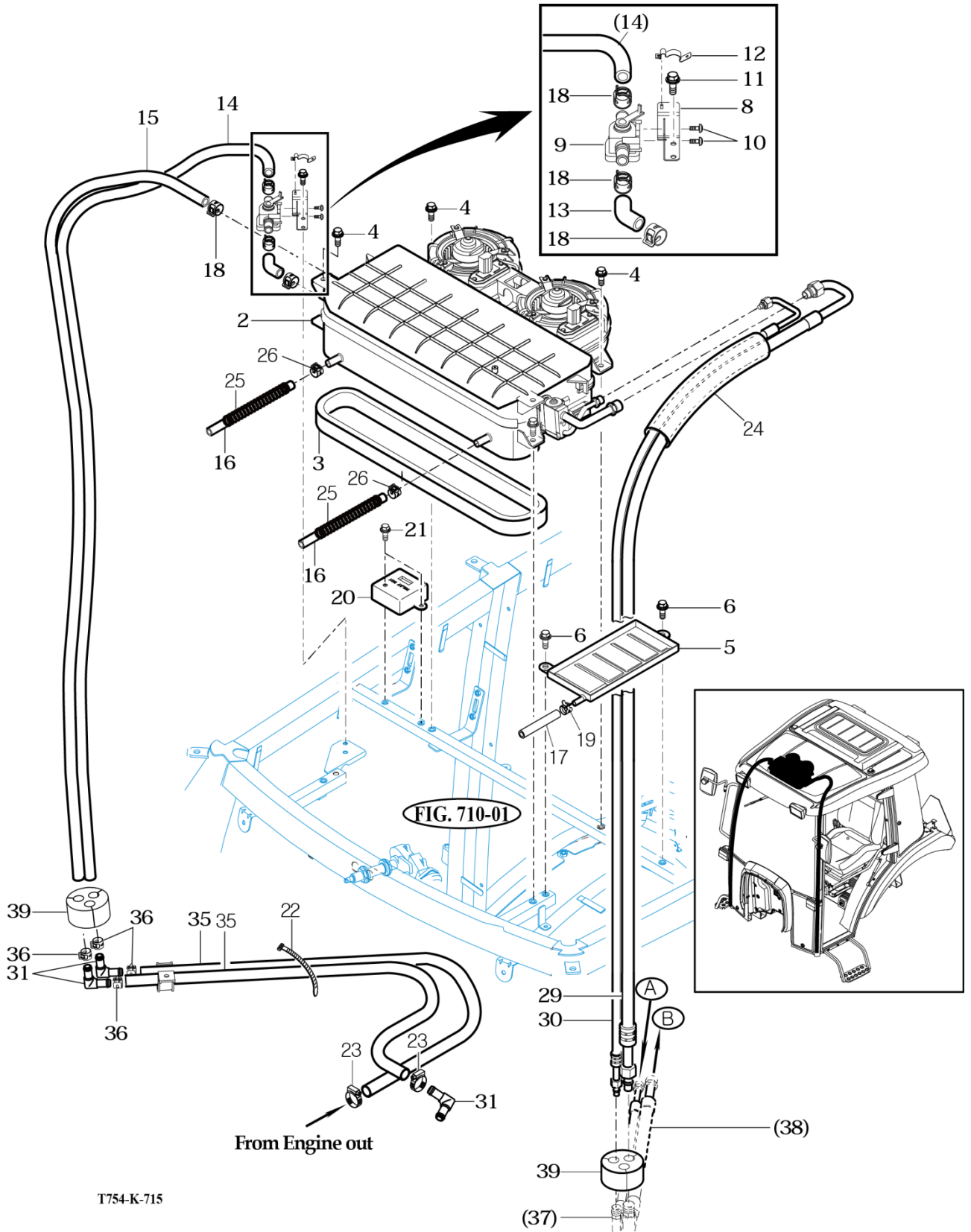
RK74



NOTE

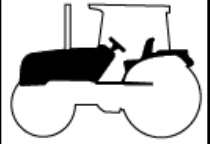


RK74

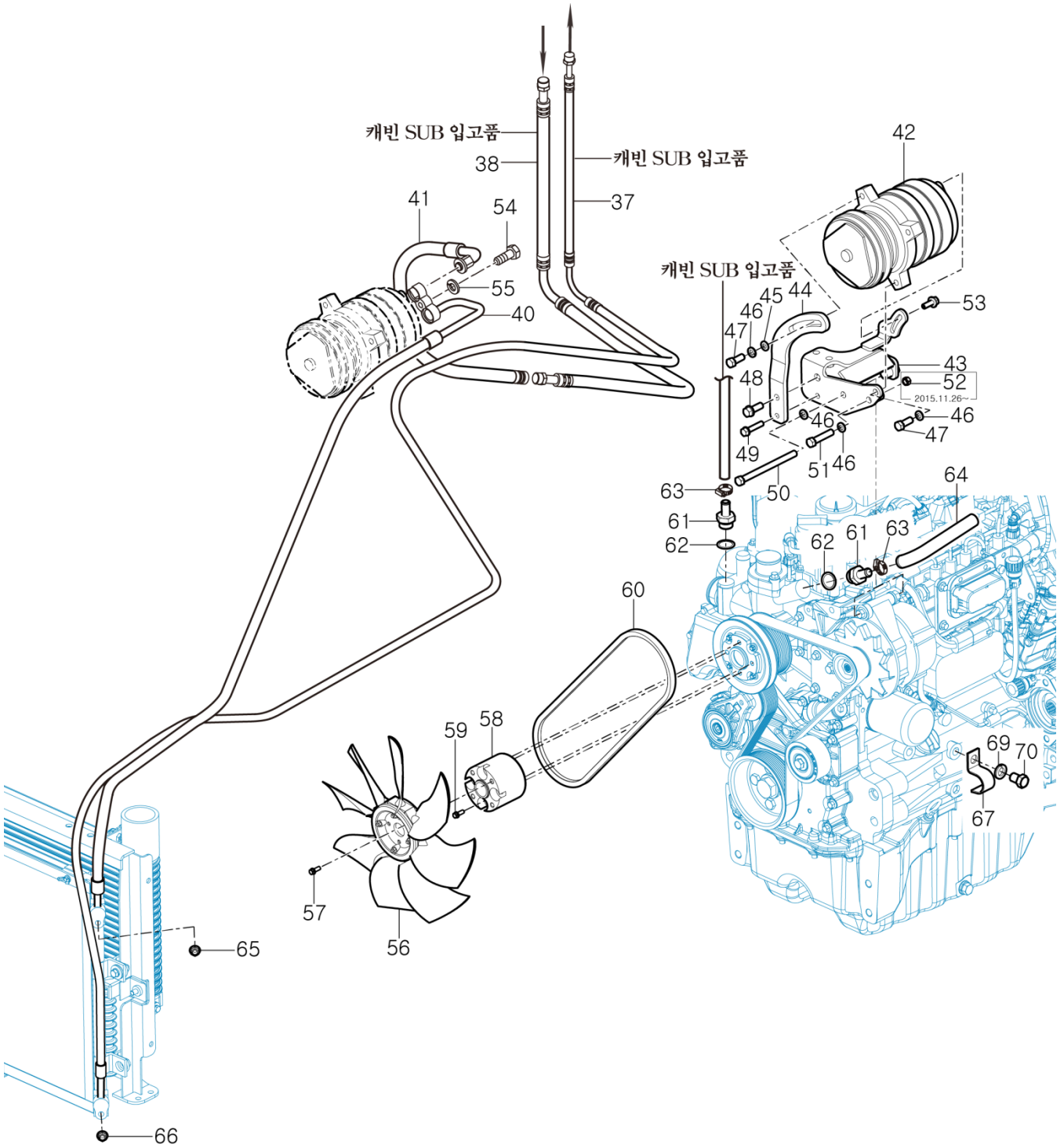


T754-K-715

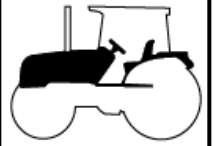
NOTE



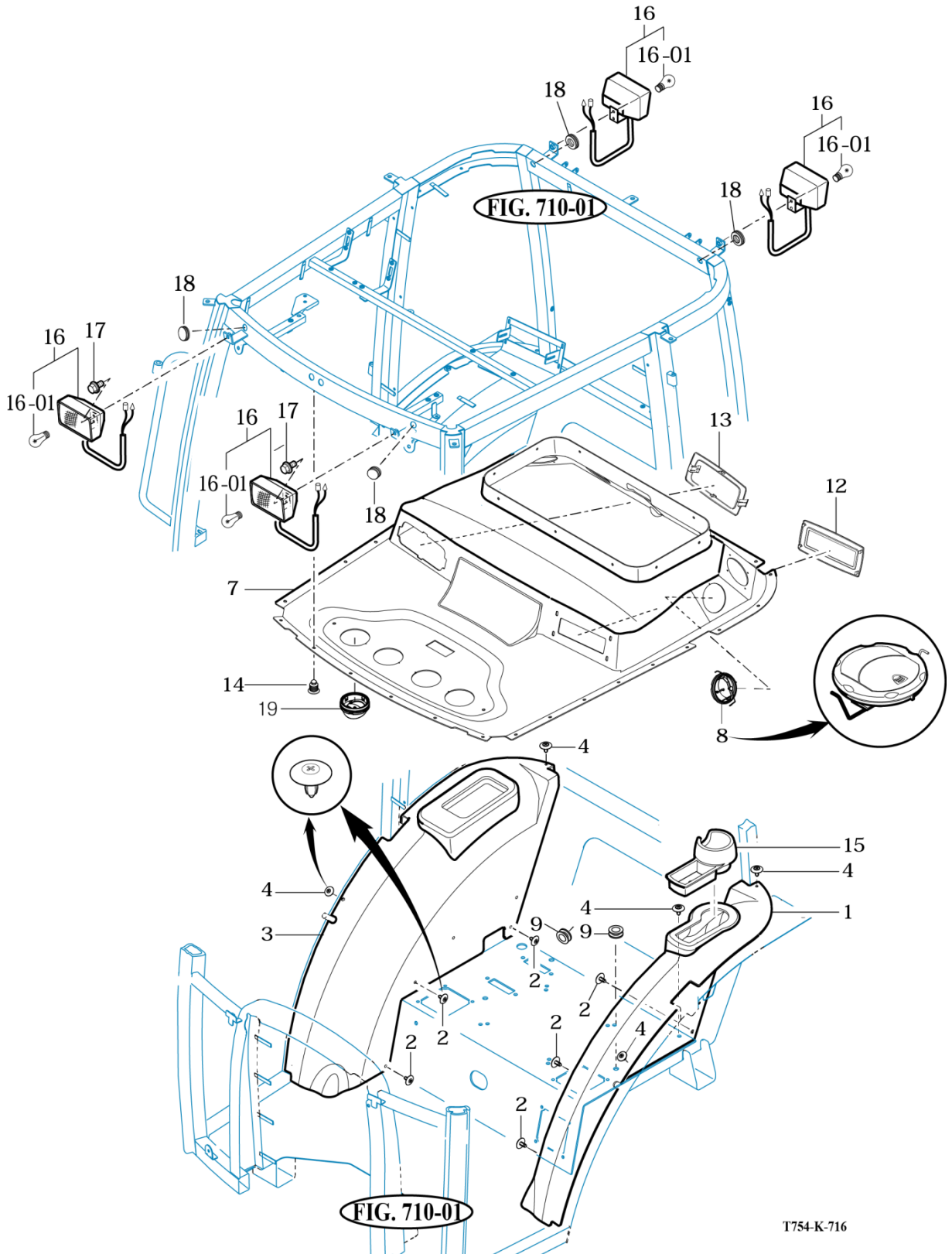
RK74



NOTE



RK74



T754-K-716

NOTE

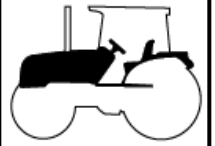
FIG 717

ROOF

P1

Year

2018



RK74

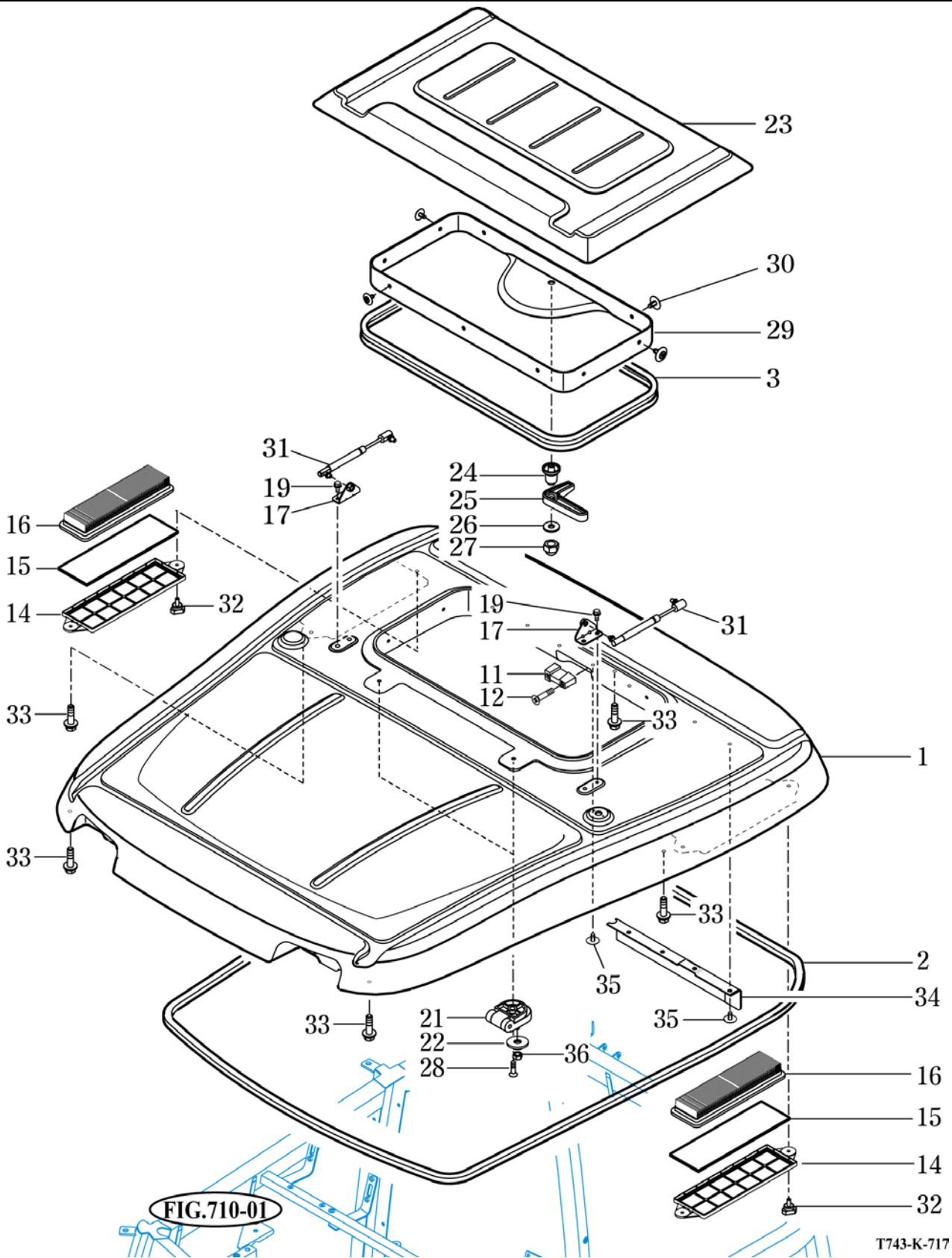


FIG.710-01

T743-K-717

NOTE

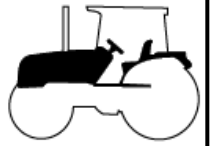
FIG 718

CABIN INTERIOR

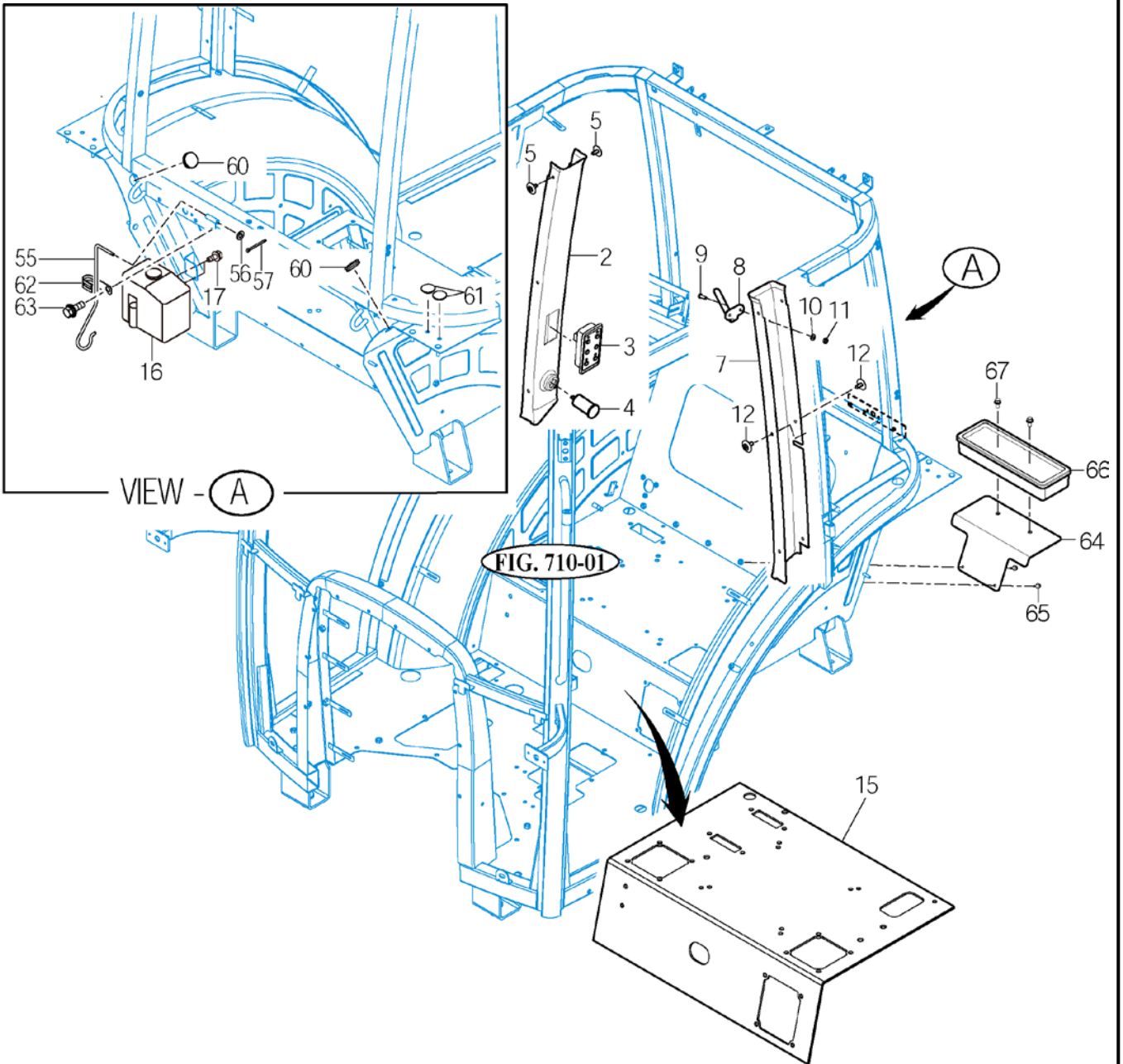
P1

Year

2018



RK74



T724-K-718

NOTE

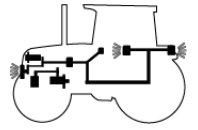
FIG 801

BATTERY & MOUNTING

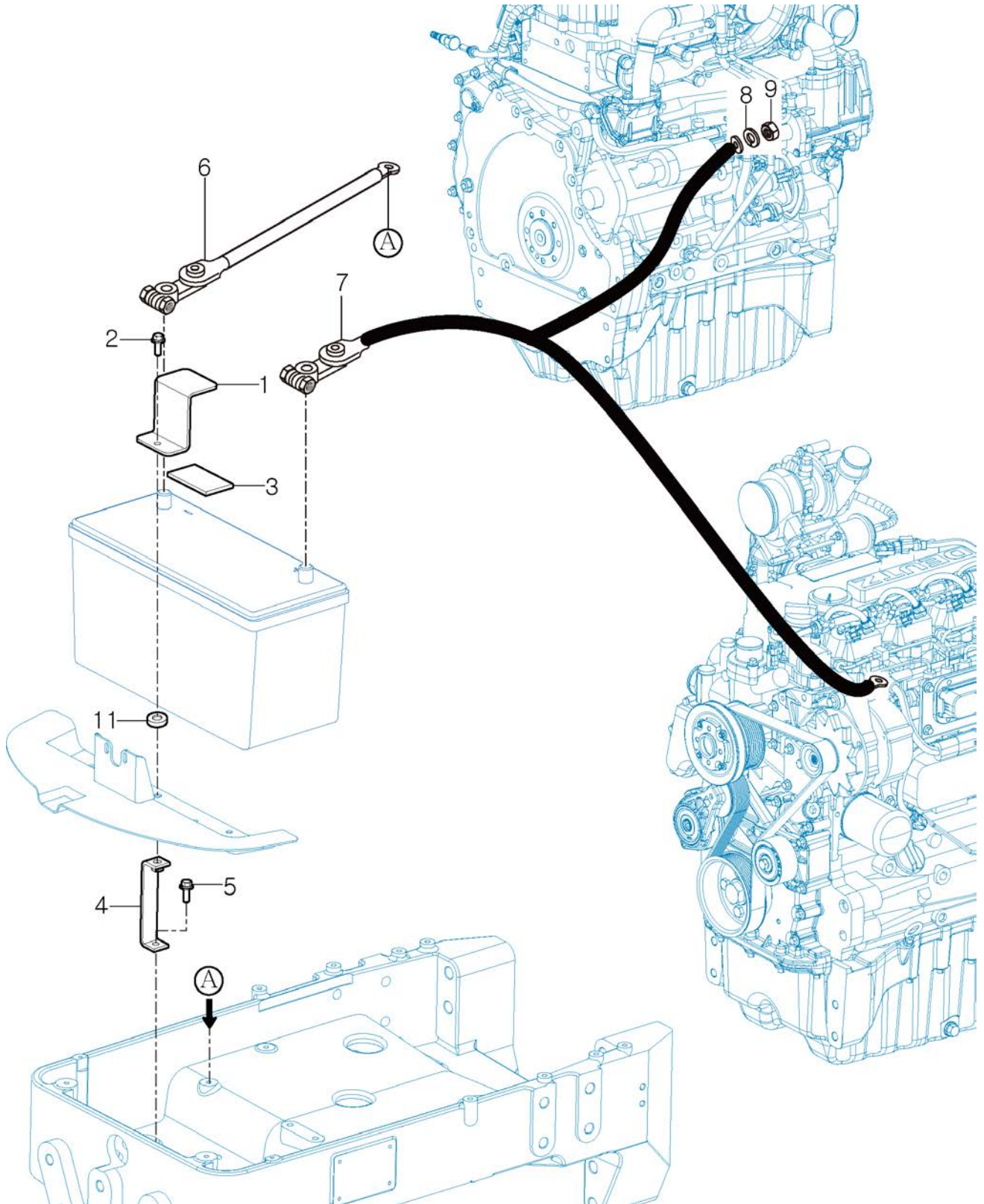
P1

Year

2018



RK74



NOTE

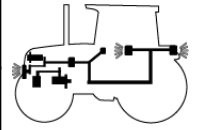
FIG 802

HARNESS

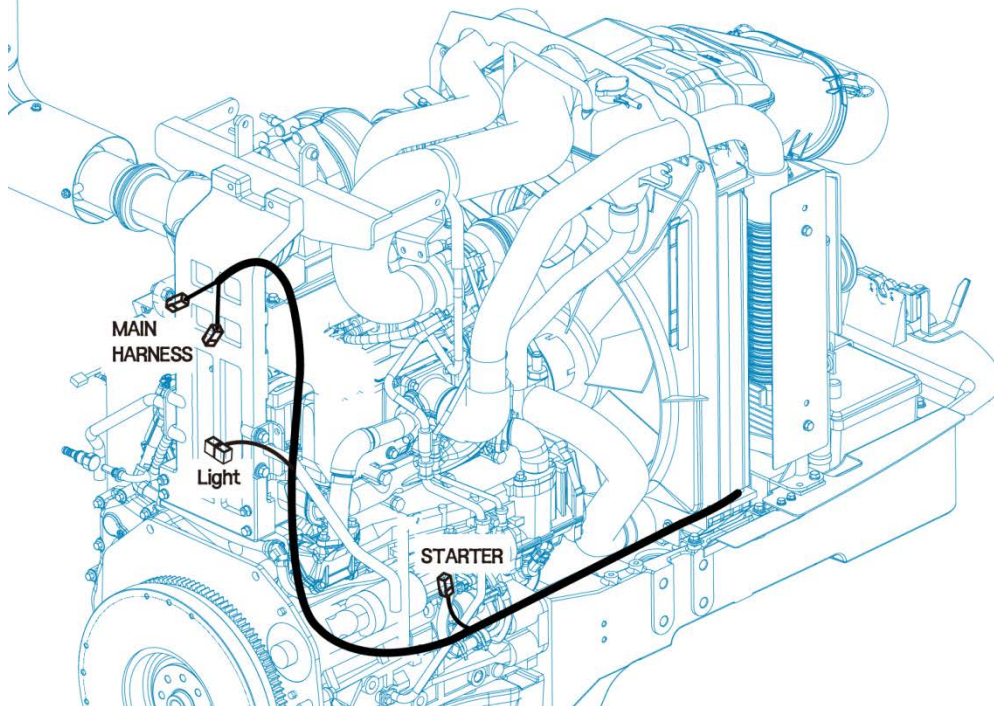
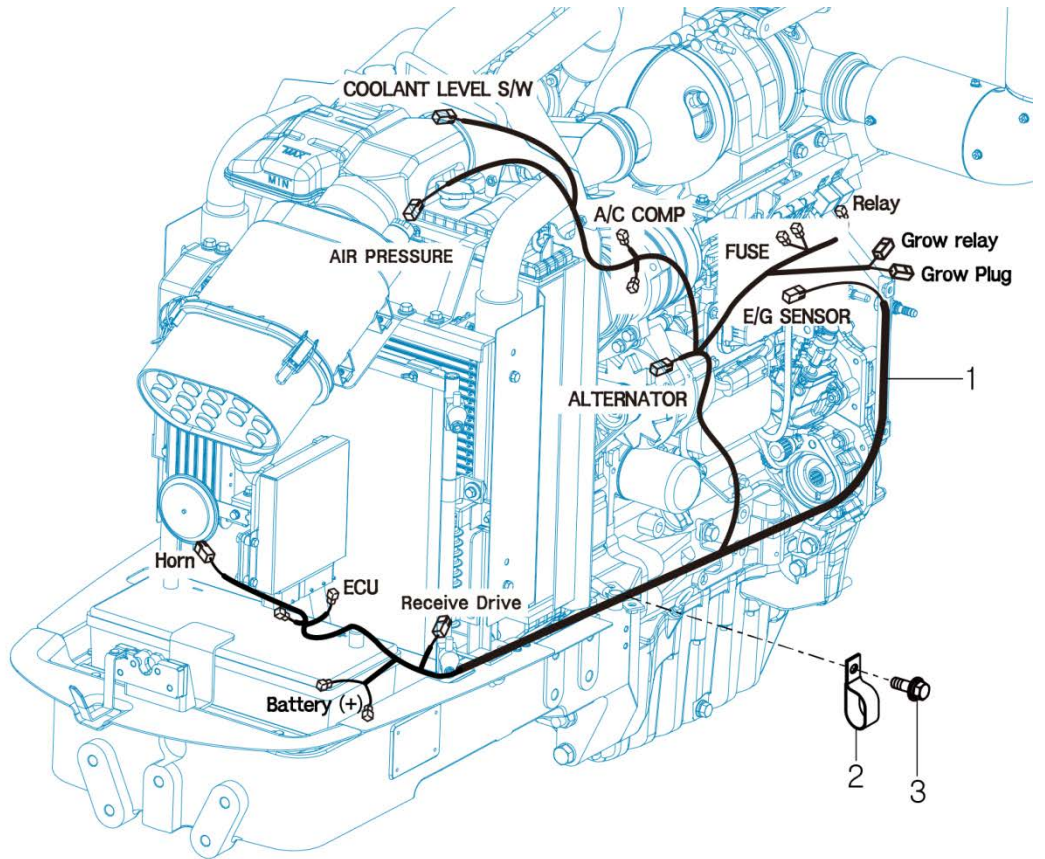
P1

Year

2018



RK74



NOTE

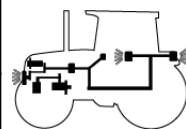
FIG 803

LIGHT & BACK LAMP

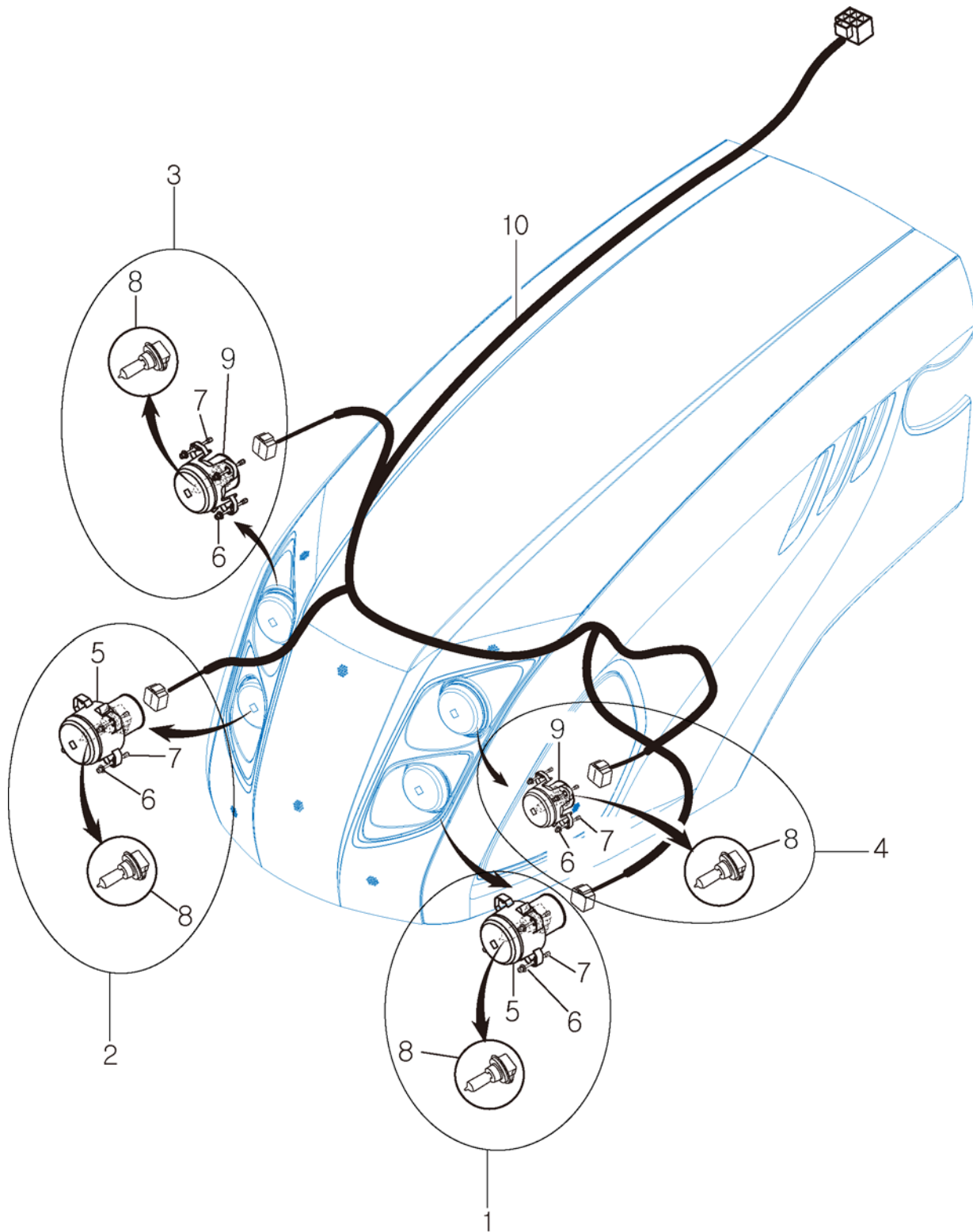
P1

Year

2018



RK74



NOTE

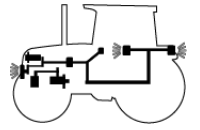
FIG 804

INSTRUMENT PANEL

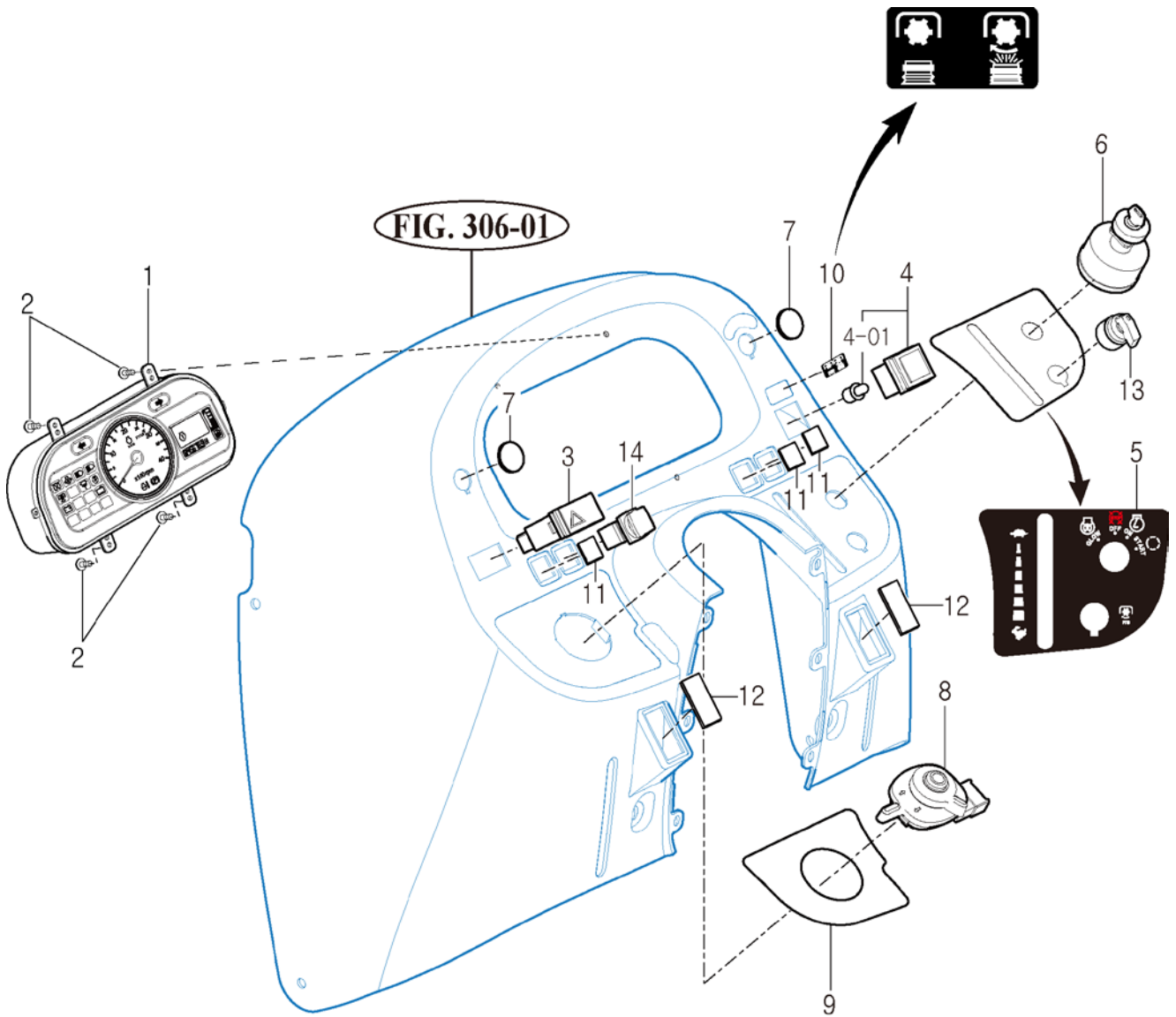
P1

Year

2018

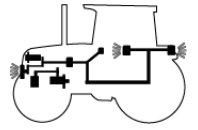


RK74

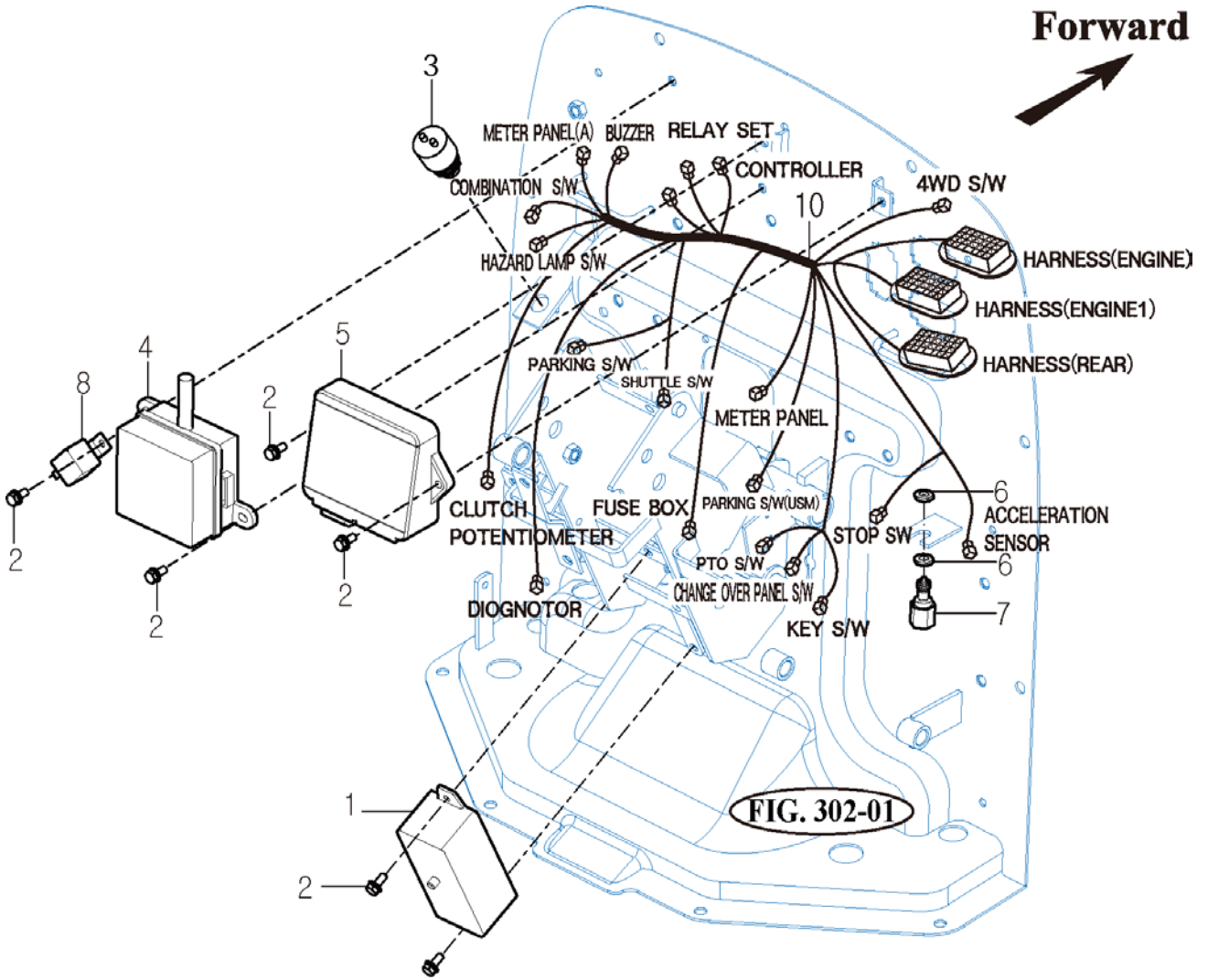


T754-K-804

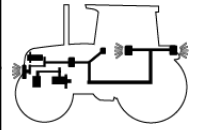
NOTE



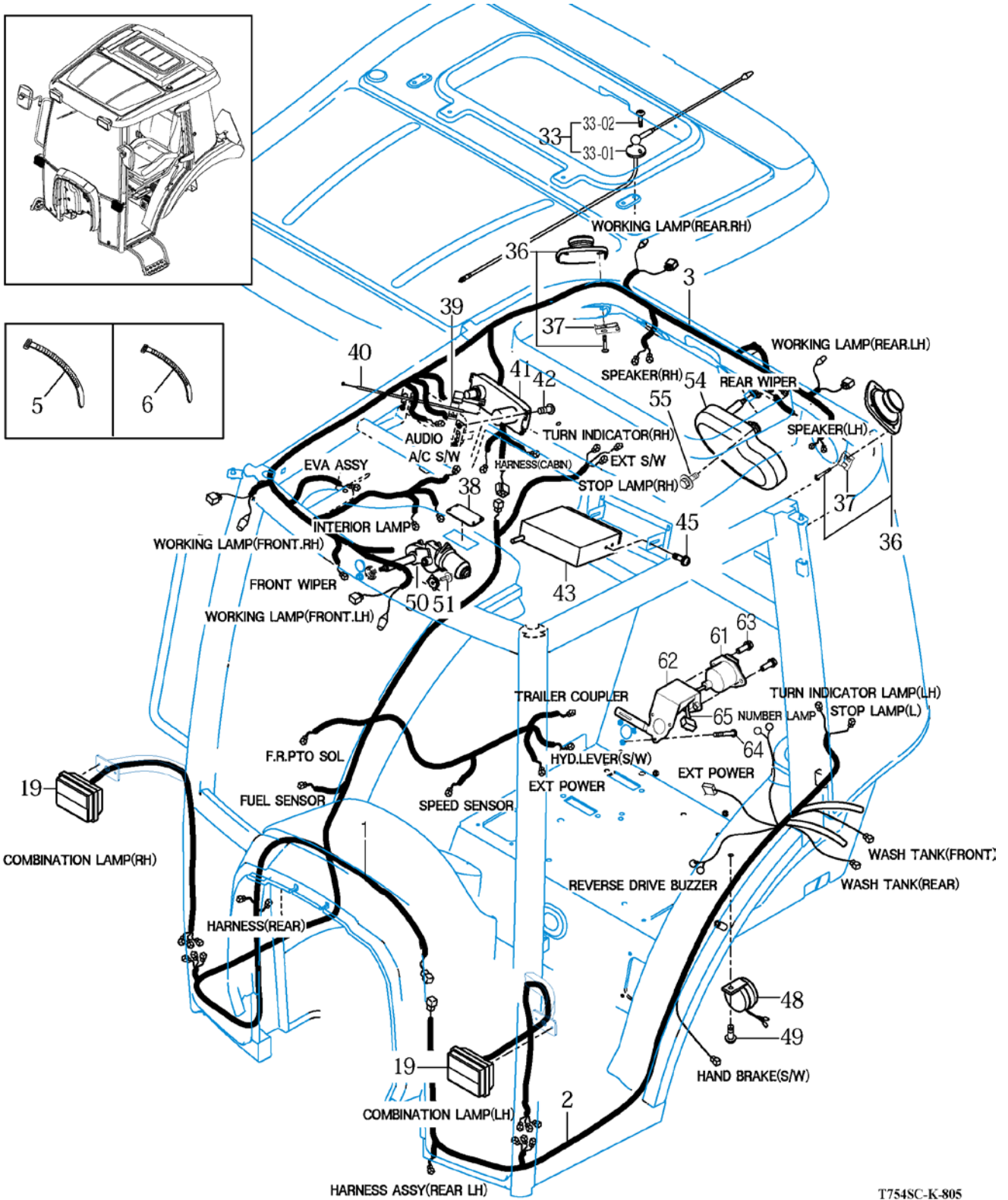
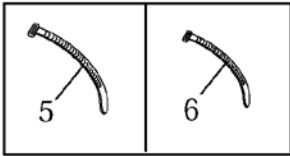
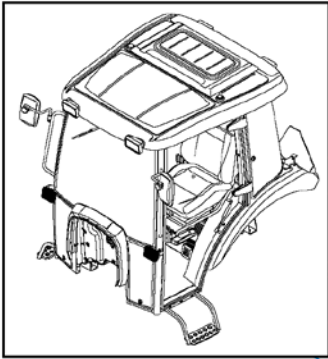
RK74



NOTE



RK74



T754SC-K-805

NOTE

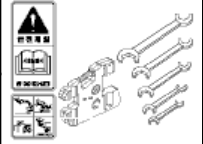
FIG 901

TOOL & ACCESSORY

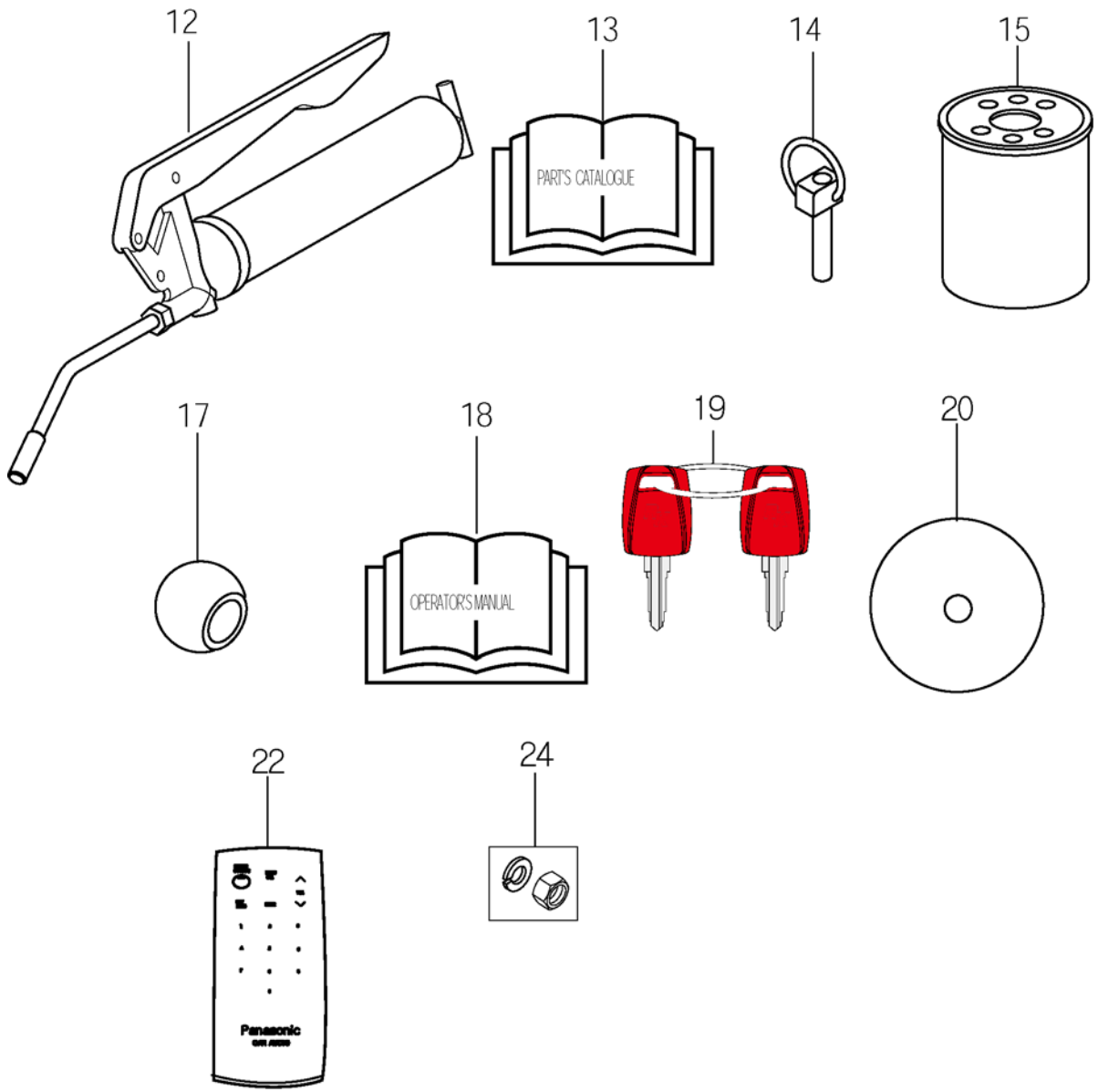
P1

Year

2018



RK74



T754-E-901

NOTE

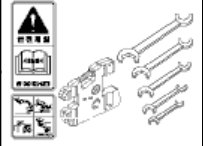
FIG 903

LABEL

P1

Year

2018



RK74

38 RK PERFORMANCE SERIES

37 RK PERFORMANCE SERIES

34 **RK74**

35 *Power Shuttle*

18 **Inner/Outer air Ventilation**

- When grills of rear and both sides are opened, inner air will ventilate in.
- For effective use, open it when operate heater or air conditioner and close when ventilate fresh air.

1220-004-122-1

6 **DANGER**

Do not ride except operator.

1220-910-016-0

33 **CAUTION**

Do not touch while the system is hot. It cause serious burns

1220-910-026-0

24 **WARNING**

Do not remove radiator cap while engine is hot. Hot steam will injure you.

1220-910-015-0

23 **CAUTION**

Keep hands and clothing away from rotating fan and belts to prevent serious injury.

1220-910-012-0

32 **Rural King**

MODEL	
TYPE	
ENGINE	
SERIAL NO.	
MANUFACTURER: TONG YANG MOOLSAN CO.,LTD	
THIS PRODUCT IS MADE IN K OREA	

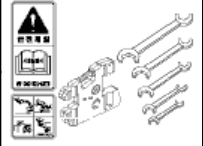
17 **WARNING**

Do not refuel the tractor while smoking or near naked flame or sparks. always stop engine before refueling tractors.

1220-910-005-0

36 **TURBO**

NOTE



RK74

SPEED TABLES

APPLICATION	TRACTOR RASTER	REAR RASTER	FRONT RASTER	DRIVE						
SPEED (km/h)	0	1	2	3	4	5	10	15	20	23

* Don't work the tractor, escape marsh heavy work at creep on.
 * The data recorded in this publication are also subject to variation and consequently are not.

WARNING

Work in ventilated Area.

1200-910-000-0

DANGER

Periodic ventilation should be made to avoid suffocation while heating an air conditioning is used. Sleeping in the cab is prohibited.

1200-910-011-0

WARNING

Always fasten Your seat belt.

1200-910-019-0

WARNING

Operator's manual

1200-910-003-0

WARNING

Never use the diff-lock at high speed or on the road as this can cause rollover and injury.

1200-910-008-0

WARNING

Always set the knob to lock when:

1. Traveling on the road.
2. Racking blades on an implement.
3. Making adjustment to an implement.

Sudden dropping of an implement can cause serious injury or death.

1200-910-004-0

WARNING

Always set the knob to lock when:

1. Traveling on the road.
2. Racking blades on an implement.
3. Making adjustment to an implement.

Sudden dropping of an implement can cause serious injury or death.

1200-910-004-0

WARNING

Always apply the park brake when parking. Failure to do so can cause accidents and damages.

1200-910-005-0

WARNING

Do not use the sub shift lever at "H" position when driving backward.

1200-910-010-0

WARNING

Do not use the sub shift lever at "H" position when driving backward.

1200-910-010-0

CAUTION

Periodic hydraulic valve instruments

1200-910-011-0

WARNING

Stay clear of raised Boom and bucket.

1200-910-017-0

WARNING

Stay clear of raised Boom and bucket.

1200-910-017-0

Creep speed Operation/warning

- Don't use creep speed as shown below works.
- 1) Low Loads 2) Front loader 3) Blade work (Civil Engineering work 5) In & out the jobsite 6) Heavy industry
- Brake engagement at creep speed
- Use same to depress clutch pedal before depress brake pedal.
- Don't depress again strongly as shall reduce life of creep speed is very high and high torque.

Position of fuse

1200-910-010-0

WARNING

1. DO NOT OPEN THE RADIATOR CAP. HOT STEAM WILL BURN YOU.
2. REPLACEMENT OF THE COOLANT SHOULD BE DONE IN THE AUXILIARY TANK.

1200-910-006-0

EPA REGULATION

USE ULTRA LOW SULFUR FUEL ONLY

CAUTION

Always place the transmission in neutral and apply the brake while the tractor is in neutral position. Failure to do so can cause accidents and damages.

1200-910-010-0

DANGER

Rotating driveline contact can cause death. KEEP AWAY! Keep all drive lines, Tractor and equipment shields in place during operation.

1200-910-012-0

WARNING

Attach implements and trailers to the tractor only using the prescribed draw-bar or hitch.

1200-910-009-0

TONG YANG MOOLSAN

SERIAL NUMBER TYPE
000001 TT-60-24
CEC APPROVAL NO. T-6024/1-589
S e 13 0229
MODEL T74L750
CATEGORY 1

WARNING

Do not adjust the tilt handle when traveling.

1200-910-009-0

WARNING

- Start engine only from operator seat. If safety start switch is bypassed engine can start with transmission in gear.
- Do not connect or short across terminal on starter solenoid.
- Attach booster cables as shown on battery decal and operators manual.

Starting in gear causing runaway can result in serious injury.

1200-910-020-0

WARNING

Do not use the accelerator lever except working on the field.

1200-910-020-0

WARNING

Brake pedals must always be locked together when traveling on the highways. This will ensure uniform braking and provide maximum stopping ability sharp turns must only be made at slow speeds.

1200-910-020-0

WARNING

540E

1200-910-020-0

WARNING

1200-910-020-0

WARNING

Push the button to lock position with joystick lever is neutral whenever the implement is not operation.

1200-910-020-0

