

# Pole Line Hardware



## POLE LINE HARDWARE

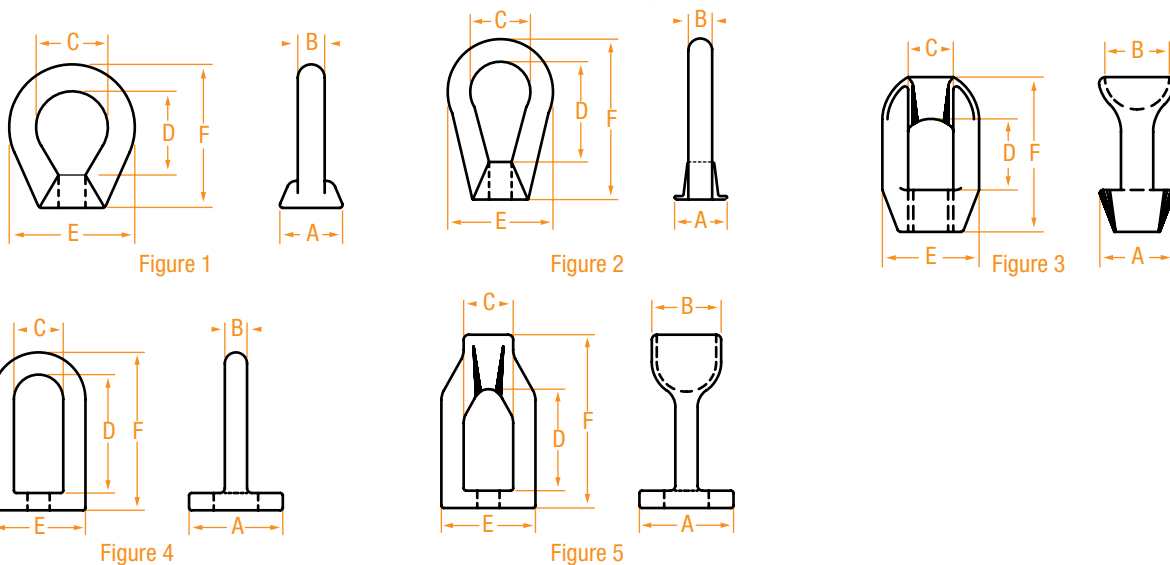
POLE LINE HARDWARE	SERIES	PAGE
Eyelets .....	.RENUT Series .....	139
"J" Hooks .....	.RJH Series .....	140
Single-Position Equipment Brackets .....	.LPB Series .....	141
Grid Gains & Crossarm Gains .....	.RGG & RCG Series .....	142
Crossarm Support Gains .....	.RCSG Series .....	143
Pole-Eye Plates .....	.RPEP Series .....	144
Guy Hooks .....	.RGH Series .....	145
Aerial Clamps .....	.RAC Series .....	146
Turnbuckles .....	.RTB Series .....	147
Pole-Top Extensions .....	.RPTA Series .....	148
Three-Hole Messenger Clamps .....	.RSC1204 Series .....	149
Heavy-Duty Messenger Clamps .....	.RHDC Series .....	150



# EYELETS

# RENUT Series

- Tapped oversized for easy assembly.
- Made from ductile iron or forged steel.
- Some available forged for additional strength.



PART NUMBER	FIGURE	BOLT DIA	DIMENSIONS IN INCHES					
			A	B	C	D	E	F
RENUT-1*	1	5/8	1-3/8	9/16	1-1/2	1-3/4	2-5/8	3
RENUT-2	1	3/4	1-3/8	9/16	1-1/2	1-3/4	2-5/8	3
RTMBL-1	3	5/8	1-1/2	1-1/2	7/8	1-3/8	1-7/8	3
RTMBL-2	3	3/4	1-1/2	1-1/2	7/8	1-3/8	1-7/8	3
RBLTE-1	4	5/8	2-3/8	9/16	1-1/4	3	2-3/8	4
RBLTE-2	4	3/4	2-3/8	9/16	1-1/4	3	2-3/8	4
RTMBE-1*	5	5/8	2-3/8	1-1/2	1-1/4	2-9/16	2-3/8	4
RTMBE-2	5	3/4	2-3/8	1-1/2	1-1/4	2-9/16	2-3/8	4-3/8

\* RUS Approved.

# "J" HOOKS

RJH Series

- Made of steel or bronze.

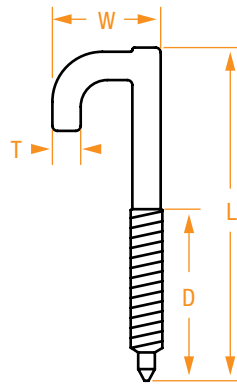


Figure 1

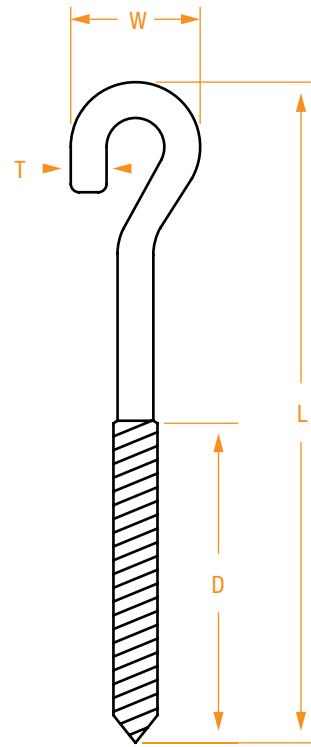


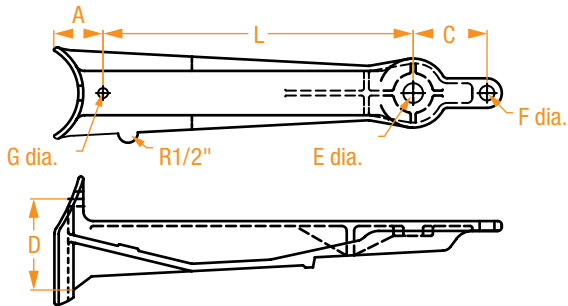
Figure 2

PART NUMBER	MATERIAL	FIGURE	DIMENSIONS IN INCHES			
			L	W	T	D
RJH18666	Steel	1	5	1-9/16	7/16	2-1/2
RJH18667	Bronze	2	6	1-1/4	3/8	2-7/8
RJH18668	Steel	2	6	1-1/4	3/8	3
RJH18669	Steel	2	5	1-1/2	3/8	2-5/8
RJH18670	Steel	2	9	1-1/2	3/8	3

# SINGLE-POSITION EQUIPMENT BRACKETS

LPB Series

- Designed for mounting pin or post-type insulators in vertical position.
- Can support arresters and cutouts at the end of the bracket.
- Made of malleable iron ASTM A197-47— hot-dipped galvanized.



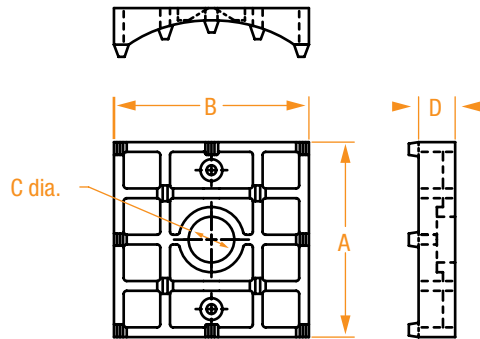
PART NUMBER	FIGURE	BOLT DIA.	DIMENSIONS IN INCHES						
			A	L	C	D	E	F	G
LPB622	1	5/8	2	15-1/2	4-1/2	4-1/2	13/16	11/16	1/2

FOR OTHER SIZES, CONTACT YOUR SALES REPRESENTATIVE OR THE FACTORY.

## GRID GAINS & CROSSARM GAINS

RGG & RCG Series

- Reduces bolt slotting by spreading the applied load across a large area.
- Fits a large range of pole diameters.
- Reduces the chances of pole fires due to leakage current.
- Made of malleable iron – hot-dipped galvanized.

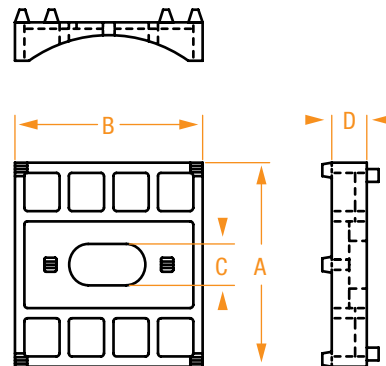


PART NUMBER	FIGURE	DIMENSIONS IN INCHES				POLE RANGE
		A	B	C	D	
RGG122	1	4	4	13/16	3/4	6-12
RGG122-15/16	1	4	4	15/16	3/4	6-12

## GRID GAINS

Crossarm Gains

- Provides additional stability.
- Reduces leakage current.
- No wood-to-wood contact.
- Accepts a range of crossarm sizes.
- Made of malleable iron ASTMA197-47– hot-dipped galvanized.



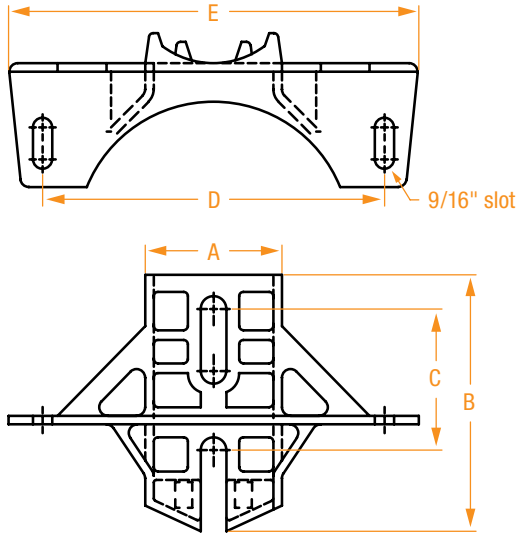
PART NUMBER	DIMENSIONS IN INCHES				POLE RANGE	MAX. BOLT	CROSSARM RANGE
	A	B	C	D			
RCG395	4	4	13/16	7/8	6-12	3/4	31/2 - 51/2

FOR OTHER SIZES, CONTACT YOUR SALES REPRESENTATIVE OR THE FACTORY.

# CROSSARM SUPPORT GAINS

RCSG Series

- No need for crossarm braces at capacitor and transformer installations, cable and corner poles.
- Provides additional stability.
- Improves appearance.
- Made of malleable iron ASTMA197-47– hot-dipped galvanized.



PART NUMBER	DIMENSIONS IN INCHES					POLE RANGE	MOUNTING BOLT		BOLT ON SHELF	CROSSARM RANGE
	A	B	C	D	E		TOP	BOTTOM		
RCSG182	4	7-1/2	6	10	12	6-12	3/4	5/8	9/16 x 1-1/2	31/2 - 61/2
RCSG182-1	4	7-1/2	6	10	12	6-12	3/4	5/8	9/16 x 2	31/2 - 61/2

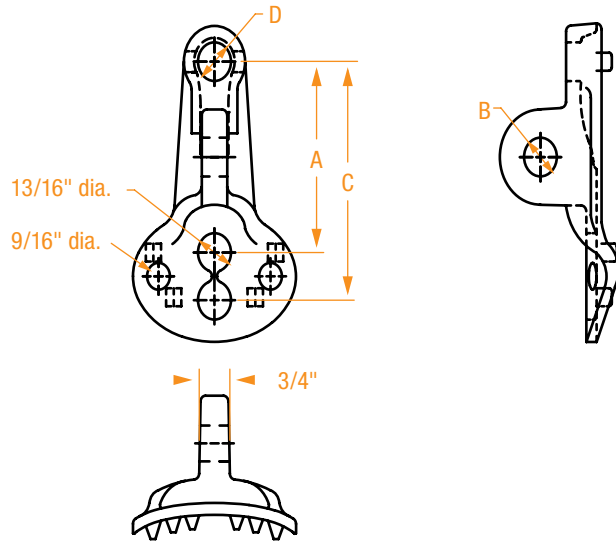
FOR OTHER SIZES, CONTACT YOUR SALES REPRESENTATIVE OR THE FACTORY.

POLE LINE  
HARDWARE

# POLE-EYE PLATES

RPEP Series

- Designed to allow any guy or dead-end angle up to 90°.
- Will fit on any diameter pole.
- Teeth on the back increase stability.
- Made of hot-dipped galvanized ductile iron.



PART NUMBER	DIMENSIONS IN INCHES			
	A	B	C	D
RPEP88	4	13/16	5	13/16



# GUY HOOKS

RGH Series

- Increases the load that can be carried by the through bolt by applying the load in tension, rather than in shear.
- The teeth on the back increase stability.
- Allows easy installation of a guy loop or dead-end device.
- Accepts a wide range of stranding diameters.
- Can handle pull-off angles from 0 to 90°.
- Made of hot-dipped galvanized ductile iron.

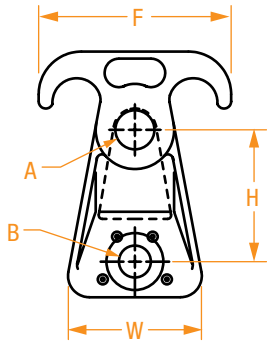


Figure 1

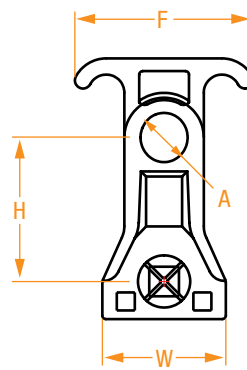
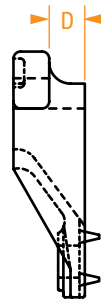
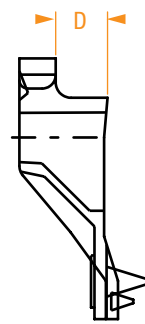


Figure 2



PART NUMBER	FIGURE	DIMENSIONS IN INCHES					MOUNTING HARDWARE		THIMBLE DIAMETER
		H	D	F	P	W	A	B	
RGH133	1	2-3/4	1/2	3-5/8	–	2-1/2	3/4	1/2	1-3/8
RGH133-AX	2	–	7/8	3-1/8	–	2-1/4	5/8	–	1-3/8
RGH135	1	2-3/4	7/8	3-3/4	–	2-1/2	5/8	1/2	1-3/8

POLE LINE  
HARDWARE

# AERIAL CLAMPS

## RAC Series

- Designed for attaching small aerial cable and triplex.
- The body is tapped to insure proper clamping.
- Teeth on the back increase stability and resist down slotting.
- Made of malleable iron ASTMA197-47– hot-dipped galvanized.

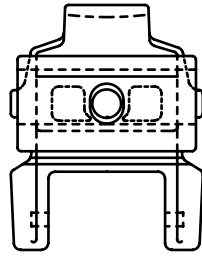
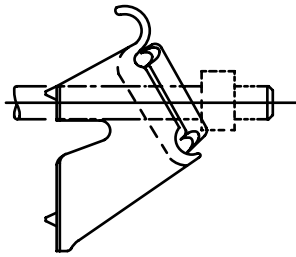


Figure 1

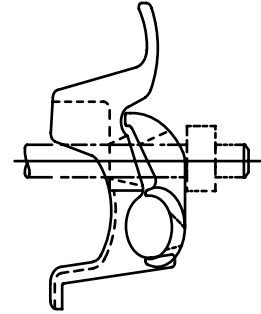
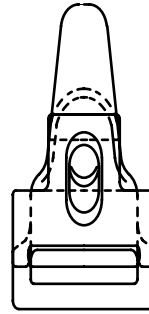


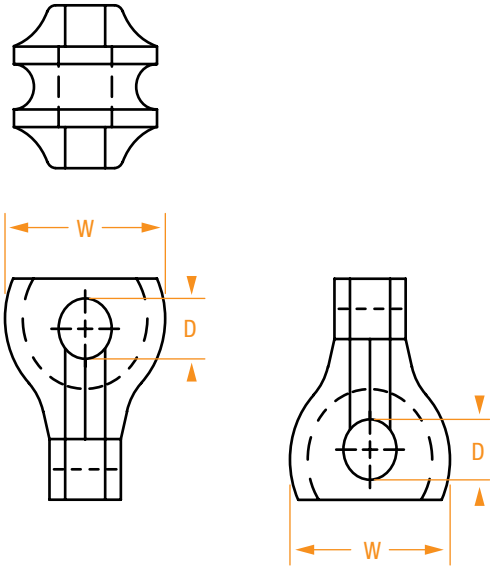
Figure 2

PART NUMBER	FIGURE	MESSENGER RANGE	GRD. WIRE GROOVE SIZE	CLEARANCE POLE TO MESSENGER	MTG. BOLT
RAC197A	1	.375 - .500	#6 AWG - 1/4	1-1/2	5/8
RAC336	2	.43 - .80	-	1-1/2	5/8

# TURNBUCKLES

RTB Series

- Designed to alleviate stress point when tying two guy wires together.
- Made of malleable iron ASTM A197-47— hot-dipped galvanized.



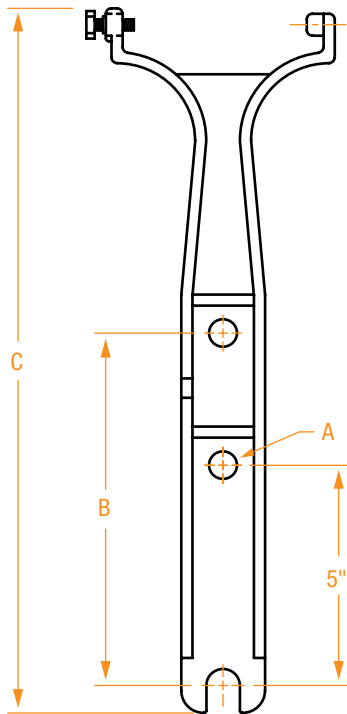
PART NUMBER	DIMENSIONS IN INCHES	
	W	D
RTB071330	2-1/2	3/4

POLE LINE  
HARDWARE

# POLE-TOP EXTENSIONS

RPTA Series

- Design aids in dampening vibrations and permits inline grade variations.
- Made of malleable iron ASTMA197-47– hot-dipped galvanized.



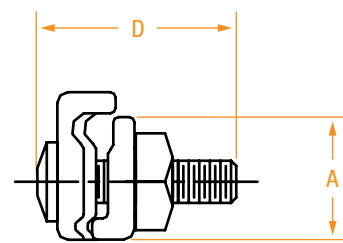
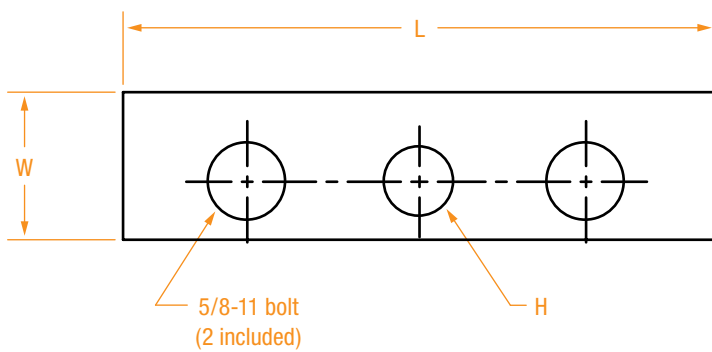
PART NUMBER	MTG. BOLT A	DIMENSIONS IN INCHES	
		B	C
RPTA529	5/8	8	16

FOR OTHER SIZES, CONTACT YOUR SALES REPRESENTATIVE OR THE FACTORY.

# THREE-HOLE MESSENGER CLAMPS

RSC1204 Series

- Connects messenger cable to pole.
- Made of hot-dipped galvanized ductile iron.

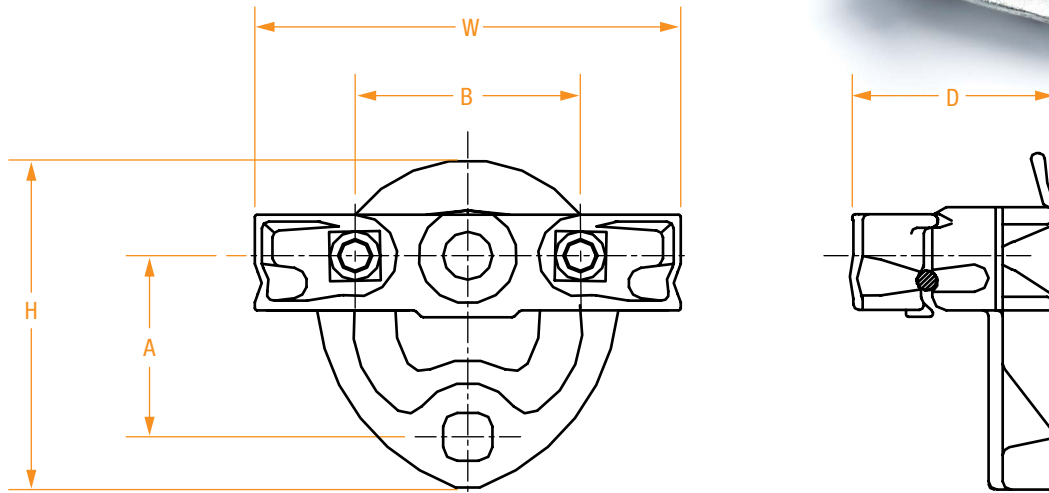


PART NUMBER	DIMENSIONS IN INCHES				
	A	H	D	L	W
RSC1204	1-7/8	13/16	2-3/8	7	2-1/4

# HEAVY-DUTY MESSENGER CLAMPS

RHDC Series

- Connects messenger cable to pole.
- Made of hot-dipped galvanized ductile iron.



PART NUMBER	DIMENSIONS IN INCHES				
	H	A	B	W	D
RHDC176	6-1/4	3-1/4	4	7-3/8	3-11/16