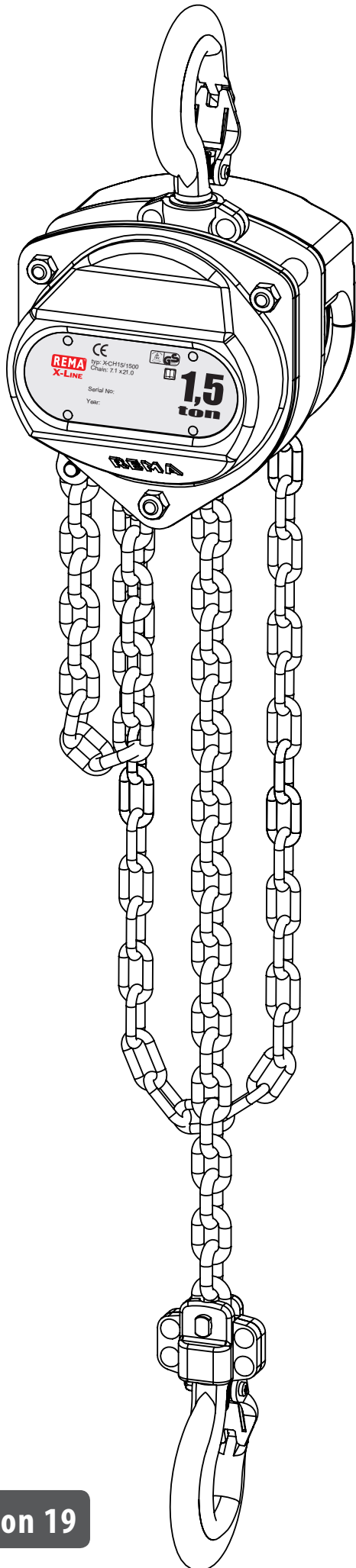


HOISTING AND LIFTING



REMA CATALOG

Edition 19

Work made easy. **REMA**[®]
HOISTING & LIFTING

Rights

This document has been compiled with the greatest possible care. No rights or claims can be derived from the content and any typing errors. Images may differ from the original.

All information is protected by copyright and may not be used or distributed by third parties.

No part of this publication may be reproduced without explicit permission
© REMA Holland B.V.

Quality

REMA stands for quality, both for our products and our services. REMA products conform to the European Machinery Directive 2006/42 / EC.

REMA is ISO 9001, ISO 45001 and EKH certified.

Rema® is a registered trademark and exclusively licensed to Rema Holland B.V., Maastricht, the Netherlands



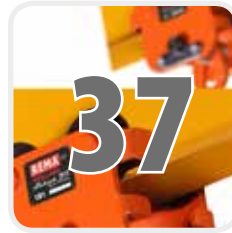
REMA®



Rules and regulations

The use of hoisting and lifting equipment is subject to rules and regulations. These rules and regulations arise from the risks associated with the use of hoisting and lifting equipment. The legislator has included a number of general rules and regulations in the law. This serves as the basis for the Working Conditions Information Sheet AI-17.

1	Hand chain hoist	3
2	Ratchet hoist	17
3	Electric chain hoist	25
4	Trolley and beam buffer	37
5	Electric trolley	45
6	Wireless remote controls	49
7	Pneumatic hoist	51
8	Wire rope hoist	53
9	Spring balancer	57
10	Crane scales & dynamometers	61
11	Cargo lashings	69
12	Load binders & lashing chains	79
13	Webbing slings & round slings	81
14	Wire rope slings	95
15	REMA-10 Chain slings (Grade 10)	99
16	REMA Stainless steel Chain slings (Grade 6)	115
17	Lifting points	121
18	Bow-, D-shackles and Hooks	131
19	Lifting clamps	137
20	Beam clamps	161
21	Drum handling	171
22	Concrete Lifting	177
23	Lifting magnets	179
24	Vacuum lifting	185
25	Pallet hooks	189
26	Winches	191
27	Load sheaves and snatch blocks	203
28	Steel jack and sluice-winding jacks	207
29	Hydraulic jacks	211
30	Workshop equipment	217
31	Pallet trucks	221
32	Stackers	227
33	Lifting tables	229
34	Skates	235
35	Crane systems	239
36	Electric cable system	249
37	Fall arrest equipment	255



1

Comparison list hand chain hoist	4
REMA C-21 Hand chain hoist	5
Elephant Hand chain hoist	6
Elephant PIH/H100 Cleanroom hand chain hoist	8
REMA RIH Stainless steel hand chain hoist	9
REMA Select 200 Hand chain hoist	10
REMA X-Line Hand chain hoist	12
REMA X-line Black line hand chain hoist	13
REMA S20 Hoist/Trolley combination	14
KBT 200 OD low headroom hoist-trolley	16



Manual hoist selection chart



REMA C-21
Very low weight, compact design and high quality.

Main features
General purpose. Ideal for industrial uses and installation work.

500 kg - 5.000 kg

Page 5



Elephant H100
Chain hoist featuring precision bearings.

Main features
Suitable for very intensive use in the offshore industry and heavy industry.

500 kg - 5.000 kg

Page 6



REMA Select 200
Designed with overload protection to lower the load safely in the event of overloading.

Main features
Safe working. Protects both the hoist and the structure against undesirable overloading. >10 T no overload protection

250 kg - 30.000 kg

Pages 10-11



REMA X-line
Identical to the Select 200-OD, but without the overload protection.

Main features
Equivalent to the Select 200-OD, but without the overload protection.

250 kg - 10.000 kg

Page 12



REMA BLACK-line
Identical to the X-line, but a black version.

Main features
Suitable for theatre; made with a black body and top and bottom hooks.

250 kg - 500 kg

Page 13



Hoistman mini-hoist
A high-quality, lightweight hand chain hoist available in 150 kg and 250 kg versions.

Main features
Due to its low weight of 3 kg, ideal for installation and assembly work.

150 kg - 250 kg

Page 7

Clean room manual hoists



Elephant H100 PIH
Same as the H100; suitable for clean rooms due to specific adaptations.

Main features
Chrome-plated caps; side plates, load chain, top and bottom hooks nickel-plated.

500 kg - 2.000 kg

Page 8



REMA RIH
Manual chain hoist made entirely of stainless steel; body, hooks and chain.

Main features
Suitable for the foodstuffs and chemicals industries, water boards etc.

500 kg - 1.000 kg

Page 9



REMA S20P
Select 200 OD hand chain hoist fully integrated with a matching push trolley.

Main features
For a low construction height where a greater hoisting height is required. Can be moved by pushing the load.

500 kg - 5.000 kg

Page 14



REMA S20G
Select 200 OD hand chain hoist fully integrated with a matching manually-operated push trolley.

Main features
For a reduced building height where a greater hoisting height is required. Can be moved by operating manual chain.

500 kg - 5.000 kg

Page 15



REMA KBT
Special hoist-trolley for extremely low build height applications.

Main features
For a maximum hoisting height in low headroom spaces, such as machine rooms. Can be moved by operating manual chain.

1.000 kg - 6.300 kg

Page 16

REMA C-21 Hand chain hoist



Safety factor of at least 4.8 or higher. Very compact and light body, 5.5 kg 0.5 ton, easy to carry. Strong and dimensionally stable house made of high-quality metal. Durable brake discs guarantee a longer service life. The strongest hoist load chain B39VH, Grade 10. High-quality solid forged hooks with a strong and stable safety latches for even greater safety.

Properties

- Light and compact design.
- Galvanized load chain with high tensile strength, Grade 10.
- Galvanized hand chain.
- Reliable load pressure brake that holds the load at any desired height.
- Patented guide for the load chain.
- Double pawl spring for extra safety.
- Safety latches on top and bottom hook.

Standard delivery

- 3 meters lifting height (max. between top and bottom hook).
- 2.5 meters operating height.

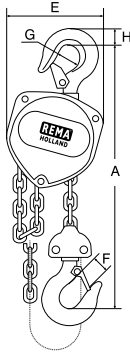
Option

- Available in any other lifting and operational heights.

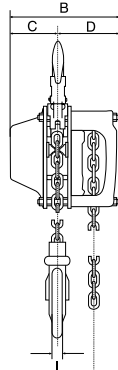
Norm:

- EN12100-1/2, EN13157, EN818-7

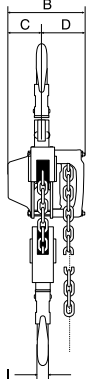
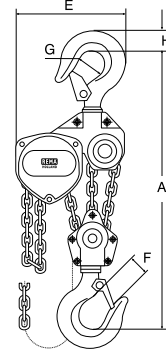
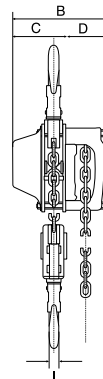
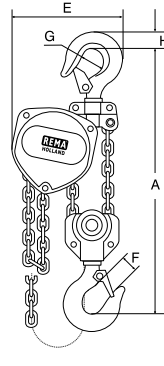
C-21/500 - C-21/2000



C-21/3000



C-21/5000



Type	WLL (kg)	Hand force max. (kg)	Load chain (mm)	Number of falls	Operating chain (mm)	Construction height (mm)	Weight (kg)	ProductId
C21-500KG	500	26	4,3 x 12	1	4,5 x 23	275	5,5	0021001
C21-1000KG	1.000	32	5,6 x 17	1	4,5 x 23	310	8,9	0021003
C21-1500KG	1.500	33	6,5 x 19	1	4,5 x 23	340	12,6	0021005
C21-2000KG	2.000	33	7,5 x 21	1	4,5 x 23	384	16,6	0021007
C21-3000KG	3.000	38	6,5 x 19	2	4,5 x 23	480	19,3	0021009
C21-5000KG	5.000	34	7,5 x 21	3	4,5 x 23	555	34,0	0021011

Type	A (mm)	B (mm)	C (mm)	D (mm)	E (mm)	F (mm)	G (mm)	H (mm)	I (mm)
C21-500KG	275	131	54	77	121	24	36	17	13
C21-1000KG	310	143	61	82	148	29	43	22	16
C21-1500KG	340	152	68	84	168	29	43	26	21
C21-2000KG	384	164	75	89	193	34	53	29	22
C21-3000KG	480	152	68	84	209	36	53	35	28
C21-5000KG	555	164	75	89	297	45	70	46	34

Elephant H100 Hand chain hoist



The Elephant H100 is a robust hand chain hoist for heavy and very intensive use where safety, ergonomics and little operating effort is required.

Properties

- Low operating force at maximum load due roller bearings.
- Double pawls with double springs supporting fail-safe brake mechanism.
- Self-locking brake holds the load at any desired height.
- Safety latches on top and bottom hooks.
- Rolled-edge hand wheel cover to provide smooth operation of the hand chain when pulled sideways.
- In case of overload, the hooks will gradually bend and do not suddenly break off.
- Patented chain guide for the load chain to allow smooth operation.
- Galvanized load chain Grade 10.
- Galvanized hand chain.

Standard delivery

- 3 meters lifting height (max. between top and bottom hook).
- 2.5 meters operating height.

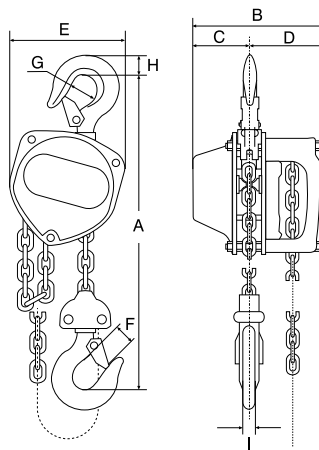
Option

- Available in any other lifting and operational heights.

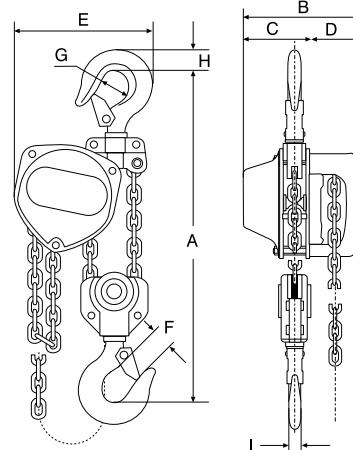
Norm:

- EN12100-1/2, EN13157, EN818-7

0.5 - 2.0 t



3.1 - 5.0 t



Type	WLL (kg)	Hand force max. (kg)	Load chain (mm)	Number of falls	Operating chain (mm)	Construction height (mm)	Weight (kg)	ProductId
H100-500KG	500	22	5,0 x 15,0	1	5,0 x 23,6	277	9	0100001
H100-1000KG	1.000	26	6,3 x 19,1	1	5,0 x 23,6	303	11.4	0100003
H100-1600KG	1.600	34	7,1 x 21,0	1	5,0 x 23,6	338	14.7	0100005
H100-2000KG	2.000	34	8,0 x 24,2	1	5,0 x 23,6	379	21	0100007
H100-3100KG	3.100	36	7,1 x 21,0	2	5,0 x 23,6	516	24	0100009
H100-5000KG	5.000	36	9,0 x 27,2	2	5,0 x 23,6	613	39.5	0100011

Type	A (mm)	B (mm)	C (mm)	D (mm)	E (mm)	F (mm)	G (mm)	H (mm)	I (mm)
H100-500KG	277	155	65	90	140	26	36	17	13
H100-1000KG	303	160	69	91	160	30	43	22	16
H100-1600KG	338	167,5	75	92.5	183	35	48	27	20
H100-2000KG	379	183	83	100	215	38	53	29	22
H100-3100KG	516	167,5	75	92.5	230	44	60	37	27
H100-5000KG	613	190	90	100	282	53	70	46	34

Elephant HOISTMAN

The Elephant HOISTMAN is a lightweight mini-hand chain hoist. Very compact for use in confined spaces and where a low self weight is desirable.

Properties

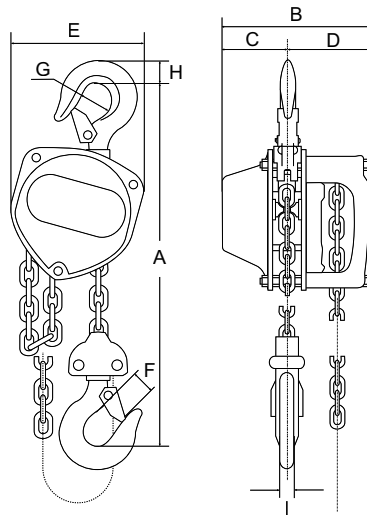
- Light and compact.
- Low operating effort at maximum load through planetary gears.
- Safety latches on top and bottom hook.
- Body plating in golden colour powder painting.
- Galvanized load chain (Grade 10).
- Galvanized hand chain.

Standard delivery

- 2,5 meters lifting height (max. between top and bottom hook).
- 2 meters operating height.

Norm:

- EN12100-1/2, EN13157, EN818-7



Only weighs
2,8 kg
2,5 meter Lifting

Type	WLL (kg)	Hand force max. (kg)	Load chain (mm)	Number of falls	Operating chain (mm)	Construction height (mm)	Weight (kg)	ProductId
HOISTMAN-150KG	150	17	3.1 x 9.3	1	2.5 x 14.0	220	2.8	0100000
HOISTMAN-250KG	250	20	3.1 x 9.3	1	2.5 x 14.0	220	2.8	0100002

Type	A (mm)	B (mm)	C (mm)	D (mm)	E (mm)	F (mm)	G (mm)	H (mm)	I (mm)
HOISTMAN-150KG	220	103	46	57	102	14	24	11	9
HOISTMAN-250KG	220	103	46	57	102	14	24	11	9

Elephant PIH/H100 Cleanroom hand chain hoist



The Elephant PIH / H100 cleanroom manual chain hoist is a robust hoist that is suitable for use in clean rooms.

Properties

- Cover chrome-plated.
- Side plates nickel plated.
- Top and bottom hooks nickel plated and have safety latches.
- In case of overload, the hooks will gradually bend and do not suddenly break off.
- Nuts and base discs of stainless steel.
- Hand chain made of stainless steel.
- Load chain nickel plated.

Standard delivery

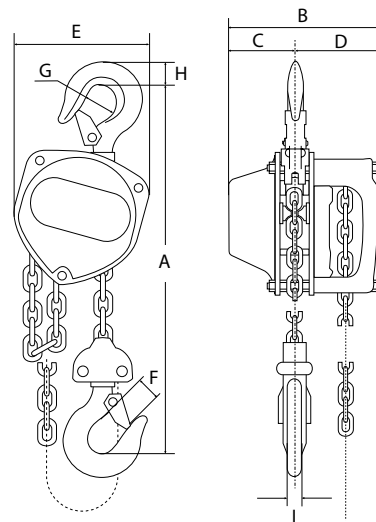
- 3 meters lifting height (max. between top and bottom hook).
- 2.5 meters operating height.

Options

- Available in any other lifting and operational heights.
- By using Stainless steel load- and hand chain, they can be used in food industry.

Norm:

- EN12100-1/2, EN13157, EN818-7



Type	WLL (kg)	Hand force (kg)	Load chain (mm)	Number of falls	Operating chain (mm)	Construction height (mm)	Weight (kg)	ProductId
PIH/H100-500KG	500	22,0	5,0 x 15,0	1	5,0 x 23,6	277	9	0100201
PIH/H100-1000KG	1.000	25,5	6,3 x 19,1	1	5,0 x 23,6	303	11,5	0100203
PIH/H100-2000KG	2.000	34,0	8,0 x 24,2	1	5,0 x 23,6	379	21,0	0100207

Type	A (mm)	B (mm)	C (mm)	D (mm)	E (mm)	F (mm)	G (mm)	H (mm)	I (mm)
PIH/H100-500KG	277	155	65	90	140	26	36	17	13
PIH/H100-1000KG	303	160	69	91	160	30	43	22	16
PIH/H100-2000KG	379	183	83	100	215	38	53	29	22

REMA RIH stainless steel hand chain hoist



The Rema RIH hand hoist is a robust manual chain hoist made entirely of stainless steel, which is suitable for use in the food industry or other environments where there is high humidity and there is sensitivity to corrosion.

Properties

- Suitable for highly corrosive environments or dust-free rooms - clean room environment
- Maximum protection against corrosion
- Load and hand chain AISI 316
- Cover caps AISI 304
- Stainless steel components
- Hooks and load chain wheel, plates: AISI 304
- Electrolytically polished surface.

Standard delivery

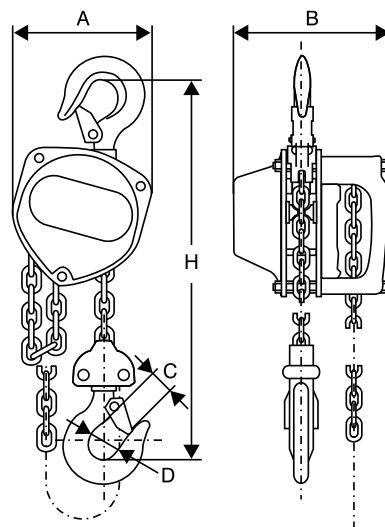
- 3 meters lifting height (max. between top and bottom hook).
- 2.5 meters operating height.

Options

- Available in any other lifting and operational heights.
- Stainless steel trolley.

Norm:

- EN12100-1/2, EN13157, EN818-7



**Complete
Stainless steel
AISI 316/304**

Type	WLL (kg)	Hand force (kg)	Load chain (mm)	Number of falls	Operating chain (mm)	Construction height (mm)	Weight (kg)	ProductId
RIH-500	500	22,0	6,3 x 19,0	1	5,0 x 23,3	355	12,5	0110001
RIH-1000	1.000	25,5	7,9 x 23,0	1	5,0 x 23,3	425	20,5	0110003

Type	A (mm)	B (mm)	C (mm)	D (mm)	H (mm)
RIH-500	150	140,0	Ø35	27	355
RIH-1000	193	162,4	Ø43	32	425

REMA Select 200 Hand chain hoist



250 kg

The REMA Select 200 OD is equipped with an overload protection from 500 kg. It is a robust manual chain hoist for heavy and intensive use where safety, ergonomics and a low operating effort are paramount.

Properties

- The new innovative overload protection ensures an improved safer operation of the hoist.
- Overload device system makes it possible to lower the load in a controlled way.
- Equipped with a double pawl system.
- Brake is provided with asbestos free friction discs.
- Top and bottom hooks are equipped with a robust latches.
- Load hooks gradually bend and do not break off suddenly.
- Galvanized load chain Grade 8.
- Galvanized hand chain.
- * = without overload device.

Overload Device provides more safety
*Except 250 kg

Standard delivery

- 3 meters lifting height (max. between top and bottom hook).
- 2.5 meters operating height.
- Overload protection from 500 kg up to 10.000 kg.

Norm:

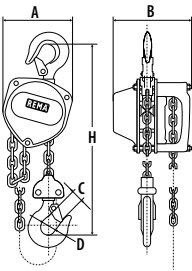
- EN12100-1/2, EN13157, EN818-7

Option

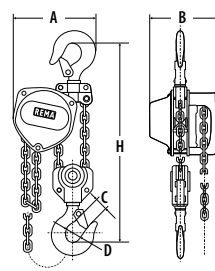
- Available in any other hoisting and operational heights.
- Chain bag available up to 10 meter lifting height from 500 kg till 2000 kg.
- Short height in combination with REMA 211/212 trolley. (500/1000/2000 kg).



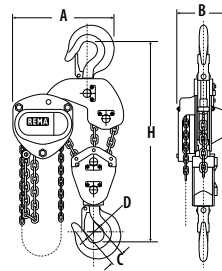
0.25t - 2.0t



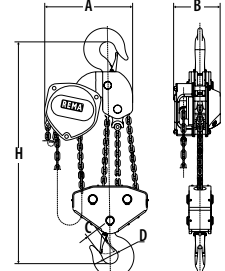
3.0t - 5.0t



7.5t



10t



* = without overload protection.

Type	WLL (kg)	Hand force max. (kg)	Load chain (mm)	Number of falls	Operating chain (mm)	Construction height (mm)	Weight (kg)	ProductId
S200-250KG*	250	23.5	4.0 x 12.0	1	5.0 x 23.7	260	6.0	0120000
S200OD-500KG	500	24.9	5.0 x 15.0	1	5.0 x 23.7	280	9.0	0120001
S200OD-1000KG	1.000	28.4	6.3 x 19.0	1	5.0 x 23.7	330	12.0	0120003
S200OD-1500KG	1.500	30.8	7,1 x 21,0	1	5.0 x 23.7	360	16.0	0120005
S200OD-2000KG	2.000	34.3	8.0 x 24.0	1	5.0 x 23.7	385	20.0	0120007
S200OD-3000KG	3.000	34.3	7,1 x 21,0	2	5.0 x 23.7	510	24.0	0120009
S200OD-5000KG	5.000	37.2	9.0 x 27.0	2	5.0 x 23.7	615	37.0	0120011
S200OD-7500KG	7.500	36.8	9.0 x 27.0	3	5.0 x 23.7	690	62.0	0120013
S200OD-10000KG	10.000	40.0	9.0 x 27.0	4	5.0 x 23.7	820	104.6	0120015

Type	A (mm)	B (mm)	C (mm)	D (mm)	H (mm)
S200-250KG*	108	106	20	30	260
S200OD-500KG	130	128	22	34	280
S200OD-1000KG	150	142	26	39	330
S200OD-1500KG	170	158	29	42	360
S200OD-2000KG	185	175	35	49	385
S200OD-3000KG	220	158	37	50	510
S200OD-5000KG	255	183	43	60	615
S200OD-7500KG	430	189	47	67	690
S200OD-10000KG	360	183	47	65	820

REMA Select 200 Hand chain hoist (high capacities)



The REMA Select 200 is a robust manual chain hoist for heavy and intensive use where safety, ergonomics and a low operating effort are paramount.

Properties

- Equipped with a double pawl system.
- Brake is provided with asbestos free friction discs.
- Safety latches on top and bottom hook.
- In case of overload, the hooks will gradually bend and do not suddenly break off.
- Galvanized load chain Grade 8.
- Galvanized hand chain.

Standard delivery

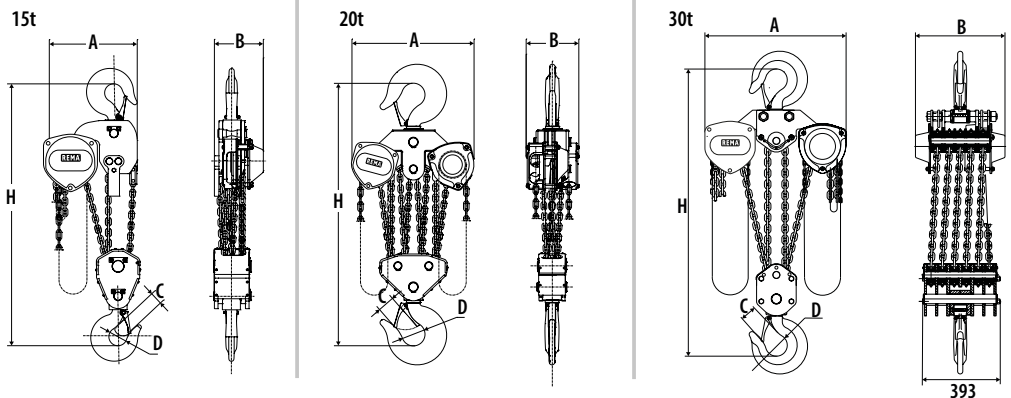
- 3 meters lifting height (max. between top and bottom hook).
- 2.5 meters operating height.
- Exclusive overload protection.

Option

- Available in any other lifting and operational heights.

Norm:

- EN12100-1/2, EN13157, EN818-7



Type	WLL (kg)	Hand force max. (kg)	Load chain (mm)	Number of falls	Operating chain (mm)	Construction height (mm)	Weight (kg)	ProductId
S200-15000KG	15.000	40.0	9.0 x 27.0	6	5.0 x 23.7	920	162.6	0120017
S200-20000KG	20.000	40.0	9.0 x 27.0	8	5.0 x 23.7 (2x)	1060	200.0	0120019
S200-30000KG	30.000	40.0	10.0 x 28.0	12	5.0 x 23.7 (2x)	1450	200.0	0120021

Type	A (mm)	B (mm)	C (mm)	D (mm)	H (mm)
S200-15000KG	386	183	62	77	920
S200-20000KG	577	183	75	90	1060
S200-30000KG	710	452	85	110	1450

REMA X-Line Hand chain hoist



The REMA X-Line hand chain hoist is a robust and ergonomic hoist for intensive use.

Properties

- Low operating force at full load.
- Increased operational safety due to double pawl system.
- Brake is provided with asbestos-free friction discs.
- Load chain wheel is made of wear-resistant alloy steel.
- Safety latches on top and bottomhook.
- In case of overload, the hooks will gradually bend and do not abruptly break off.
- Galvanized load chain (Grade 8).
- Galvanized hand chain.
- Steel housing with orange colored powder coating.

Standard delivery

- 3 meters lifting height (max. between top and bottom hook).
- 2.5 meters operating height.

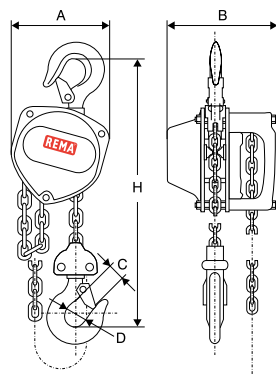
Option

- Available in any other hoisting and operational heights.

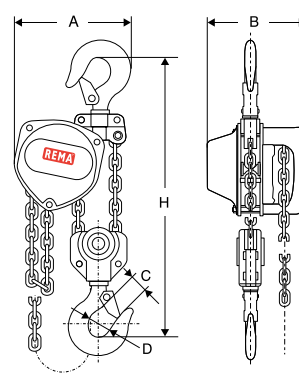
Norm:

- EN12100-1/2, EN13157, EN818-7

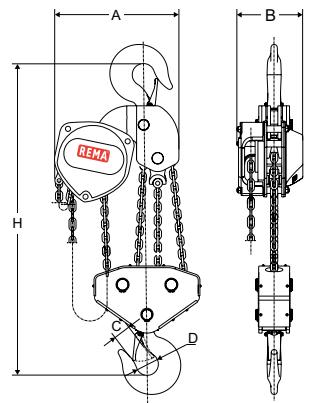
0.25t - 2.0t



3.0t - 5.0t



10t



Type	WLL (kg)	Hand force max. (kg)	Load chain (mm)	Number of falls	Operating chain (mm)	Construction height (mm)	Weight (kg)	ProductId
X-CH025/250KG	250	23.5	4.0 x 12.0	1	5.0 x 23.7	260	6.0	0170000
X-CH05/500KG	500	24.9	5.0 x 15.0	1	5.0 x 23.7	280	9.0	0170001
X-CH10/1000KG	1000	28.4	6.3 x 19.0	1	5.0 x 23.7	330	12.0	0170003
X-CH15/1500KG	1500	30.8	7.1 x 21.0	1	5.0 x 23.7	360	16.0	0170005
X-CH20/2000KG	2000	34.3	8.0 x 24.0	1	5.0 x 23.7	385	20.0	0170007
X-CH30/3000KG	3000	34.3	7.1 x 21.0	2	5.0 x 23.7	510	24.0	0170009
X-CH50/5000KG	5000	37.2	9.0 x 27.0	2	5.0 x 23.7	615	37.0	0170011
X-CH100/10000KG	10000	40.0	9.0 x 27.0	4	5.0 x 23.7	820	104.6	0170015

Type	A (mm)	B (mm)	C (mm)	D (mm)	H (mm)
X-CH025/250KG	108	106	20	30	260
X-CH05/500KG	130	128	22	34	280
X-CH10/1000KG	150	142	26	39	330
X-CH15/1500KG	170	158	29	42	360
X-CH20/2000KG	185	175	35	49	385
X-CH30/3000KG	220	158	37	50	510
X-CH50/5000KG	255	183	43	60	615
X-CH100/10000KG	360	183	47	65	820

REMA X-line Black line hand chain hoist



The REMA BLACKLINE hand chain hoist is suitable for theater purposes where safety, ergonomics and a low operating effort are paramount. The body and hooks are coloured black to limit visibility in sensitive dark environments.

Properties

- Low operating effort at full load.
- Increased operational safety due to double pawl system.
- Load pressure brake with asbestos free friction discs.
- Load chain wheel is made of wear-resistant alloy steel.
- Safety latches on top and bottomhook.
- In case of overload, the hooks will gradually bend and do not suddenly break off.
- Galvanized load chain (Grade 8).
- Galvanized hand chain.

Standard delivery

- Lifting height 10 or 15 meters

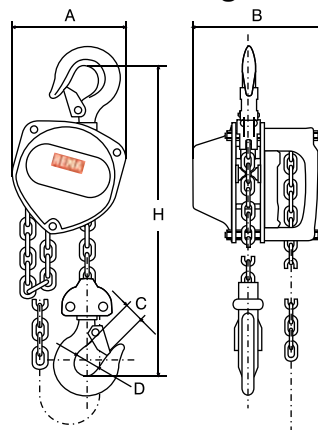
Option

- Other lifting heights on request.
- chain bag for load chain up to 10 meters lifting height.

Norm:

- EN12100-1/2, EN13157, EN818-7

250-500 kg



Option

Type	WLL (kg)	Hand force max. (kg)	Load chain (mm)	Number of falls	Operating chain (mm)	Construction height (mm)	Weight (kg)	ProductId
X-LINE/250KG/BLACK	250	23.5	4.0 x 12.0	1	5.0 x 23.7	280	6.0	0171000
X-LINE/500KG/BLACK	500	24.9	5.0 x 15.0	1	5.0 x 23.7	280	9.0	0171001

Type	A (mm)	B (mm)	C (mm)	D (mm)	H (mm)
X-LINE/250KG/BLACK	108	106	20	30	280
X-LINE/500KG/BLACK	130	128	22	34	280

S20P Low headroom Hoist/Push trolley combination



These low headroom hoist-trolley combinations are only supplied with REMA Select 200OD hand chain hoist.

Properties

- Low headroom.
- Push trolley.
- Technical detail hand chain hoist, see Select 200OD.
- Tilting and anti-drop protection for additional safety.
- Suitable for attachment to various I-beams and H-beams.

Standard delivery

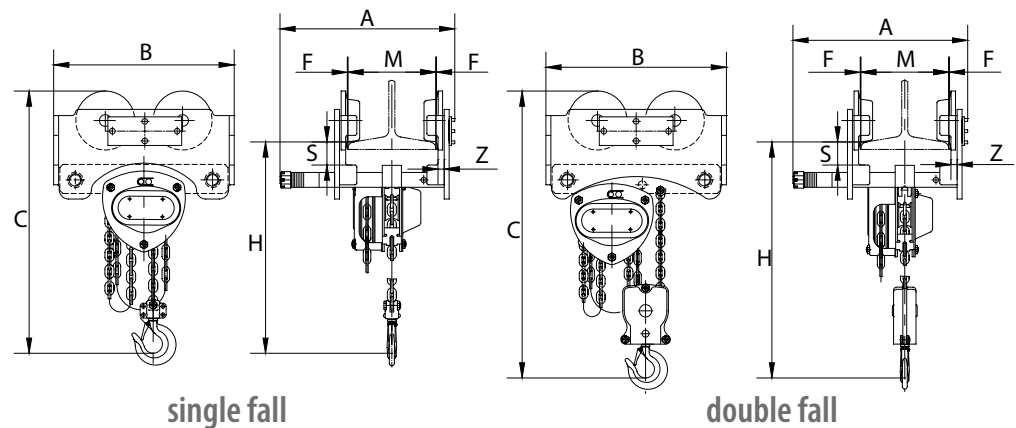
- Included trolley.
- 3 meters lifting height.
- 2.5 m operating height.

Option

- Available in other lifting and operating height on request.

Norm:

- EN12100-1/2, EN13157, EN818-7



single fall

double fall

Type	WLL (kg)	Number of falls	Flange width (mm)	Min. radius (mm)	Load chain (mm)	Operating chain (mm)	Weight (kg)	ProductId
S20P/200OD-0.5	500	1	50-203	800	5,0 x 15,0	5.0 x 23.7	55	0930001
S20P/200OD-1.0	1.000	1	64-305	900	6,3 x 19,1	5.0 x 23.7	68	0930003
S20P/200OD-1.5	1.500	1	74-305	1000	7,1 x 21,0	5.0 x 23.7	80	0930005
S20P/200OD-2.0	2.000	1	88-305	1000	8,0 x 24,0	5.0 x 23.7	80	0930007
S20P/200OD-3.0	3.000	2	100-305	1200	7,1 x 21,0	5.0 x 23.7	100	0930009
S20P/200OD-5.0	5.000	2	114-305	1300	9,0 x 27,0	5.0 x 23.7	110	0930011

Type	A (mm)	B (mm)	Cmin (mm)	F (mm)	Hmin (mm)	M (mm)	S (mm)	Z (mm)
S20P/200OD-0.5	265	258	310.5	1.5~3	243.5	50-203	30	9
S20P/200OD-1.0	385	292	420	1.5~3	340	64-305	37	8
S20P/200OD-1.5	396	360	460	1.5~3	380	74-305	39	10
S20P/200OD-2.0	396	360	500	1.5~3	405	88-305	38	10
S20P/200OD-3.0	407	430	590	1.5~3	475	100-305	42	12
S20P/200OD-5.0	420	420	725	1.5~3	610	114-305	41.5	16

S20G Low headroom hoist/geared trolley combination



These low headroom hoist-trolley combinations are only supplied with REMA Select 200OD hand chain hoist.

Properties

- Low headroom.
- Operating with hand chain.
- Technical detail hand chain hoist, see Select 200OD.
- Tilting and anti-drop protection for additional safety.
- Suitable for attachment to various I-beams and H-beams.

Standard delivery

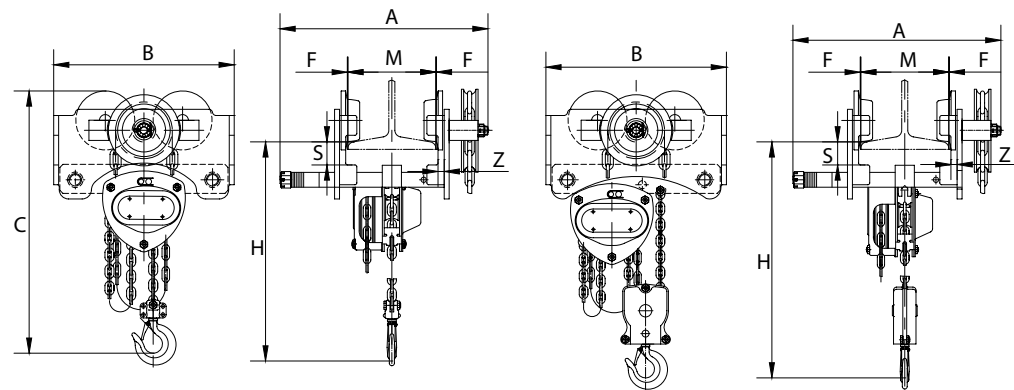
- Including hand operated trolley.
- 3 meters lifting height.
- 2.5 m operating height.

Option

- Any other hoisting height and operating height is also possible.

Norm:

- EN12100-1/2, EN13157, EN818-7



single fall

double fall

Type	WLL (kg)	Number of falls	Flange width (mm)	Min. radius (mm)	Load chain (mm)	Operating chain (mm)	Weight (kg)	ProductId
S20G/200OD-0.5	500	1	50-203	800	5,0 x 15,0	5,0 x 23,7	55	0931001
S20G/200OD-1.0	1.000	1	64-305	900	6,3 x 19,1	5,0 x 23,7	68	0931003
S20G/200OD-1.5	1.500	1	74-305	1000	7,1 x 21,0	5,0 x 23,7	80	0931005
S20G/200OD-2.0	2.000	1	88-305	1000	8,0 x 24,0	5,0 x 23,7	80	0931007
S20G/200OD-3.0	3.000	2	100-305	1200	7,1 x 21,0	5,0 x 23,7	100	0931009
S20G/200OD-5.0	5.000	2	114-305	1300	9,0 x 27,0	5,0 x 23,7	110	0931011

Type	A (mm)	B (mm)	Cmin (mm)	F (mm)	Hmin (mm)	M (mm)	S (mm)	Z (mm)
S20G/200OD-0.5	322	258	310.5	1.5~3	243.5	50-203	30	9
S20G/200OD-1.0	435	292	420	1.5~3	340	64-305	37	8
S20G/200OD-1.5	433	360	460	1.5~3	380	74-305	39	10
S20G/200OD-2.0	446	360	500	1.5~3	405	88-305	38	10
S20G/200OD-3.0	459	430	590	1.5~3	475	100-305	42	12
S20G/200OD-5.0	474	447	725	1.5~3	610	114-305	41.5	16

KBT2000D extremely low headroom hoist-trolley



Hand-operated trolley in combination with the REMA Select 2000D hand chain hoist.
Only available in combination with the REMA Select 200 OD manual chain hoist.

Properties

- Extremely low building height (135-235 mm).
- Suitable for I-beams and H-beams.
- Maintenance-free ball bearings.
- Wheel rupture supports for extra safety.
- Hand chain operated trolley.
- Technical specifications for manual hoist see Select 200 OD chain hoist.

Standard delivery

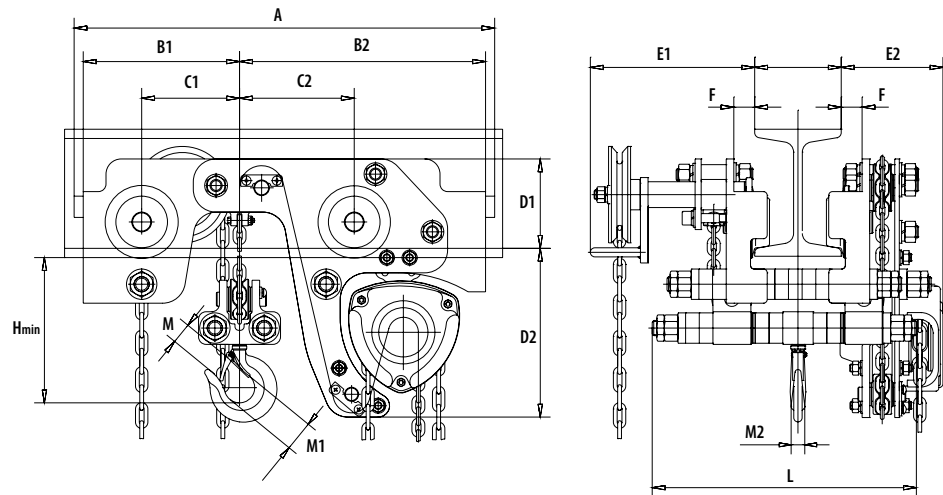
- 3 meters lifting height.
- 2.5 meters operating height.

Option

- Available in other lifting and operating heights.

Norm:

- EN12100-1/2, EN13157, EN818-7



Type	WLL (kg)	Number of falls	Flange width (mm)	Min. radius (mm)	Load chain (mm)	Operating chain (mm)	Weight (kg)	ProductId
KBT2000D-1	1.000	2	74-150	2500	5,0 x 15,0	5,0 x 23,7	69	0923001
KBT2000D-2	2.000	2	82-156	4000	6,3 x 19,1	5,0 x 23,7	118	0923003
KBT2000D-3.2	3.200	2	103-223	4500	8,0 x 24,2	5,0 x 23,7	181	0923005
KBT2000D-5	5.000	4	119-215	6000	8,0 x 24,2	5,0 x 23,7	293	0923007
KBT2000D-6.3	6.300	4	119-215	6000	8,0 x 24,2	5,0 x 23,7	296	0923009

Type	A (mm)	B1 (mm)	B2 (mm)	C1 (mm)	C2 (mm)	D1 (mm)	D2 (mm)	E1 (mm)	E2 (mm)	F (mm)	H (mm)	L (mm)	M1 (mm)	M2 (mm)
KBT2000D-1	554	206	234	129	151	117	223	217	134	27,5	135	348	40	18
KBT2000D-2	684	254	406	149	211	165	265	240	152	36,5	160	392	50	24
KBT2000D-3.2	765	279	461	169	236	165	325	240	173	44,0	190	499	55	28
KBT2000D-5	873	336	524	201	279	184	327	259	180	39,0	235	512	65	37
KBT2000D-6.3	873	336	524	201	279	184	327	259	180	39	235	512	65	37

Comparison list lever hoist	18
REMA Elephant YA ratchet hoist	19
REMA Select 2 OD ratchet hoist	23
REMA X-Line ratchet hoist	24



Ratchet hoist selection chart



REMA YA

The no. 1 amongst the ratchet hoists. Top quality and easy to use.

Main features

Suitable for very intensive use in the offshore industry and heavy industry.

1.000 kg - 9.000 kg

Page 19



REMA YA mini ratchet hoist

Same as YA, but very compact and weighing just 2 kg for 1.5 meters lifting height.

Main features

Due to its very low weight, ideal for every toolbox and/or service vehicle.

250 kg

Page 20



REMA YAM

Same as YA, except it is extremely compact with a gear transmission in 500 kg version.

Main features

Due to its extremely low weight of 2.8 kg, ideal for every toolbox and/or service vehicle.

500 kg

Page 21



REMA YAS

Same as YA, except it is fitted with shipyard hooks.

Main features

For pulling in all directions in shipbuilding.

1.600 kg and 3.200 kg

Page 22



REMA S2-OD

With innovative overload protection for safely lowering the load in the event of overloading.

Main features

Safe working. Protects both the hoist and the structure against undesirable overloading.

250 kg - 9.000 kg

Page 23



REMA X-line

Produced to the same quality requirements as the Select 2-OD.

Main features

Equivalent to the Select 2-OD, but without the overload protection.

250 kg - 9,000 kg

Page 24



REMA YA ratchet hoist



Model REMA YA ratchet hoist is a robust ratchet lever hoist suitable for lifting, pulling, tensioning and lashing in any directions.

Properties

- Grade 10 Galvanized load chain with high tensile strength (EN 818/7).
- Compact construction and very low self-weight.
- Reliable self-locked brake which will retain the load at every required height.
- Hooks provided with safety latches.
- In case of overload, the hooks will gradually bend and do not suddenly break off.
- Patented guide for the load chain.
- A double spring on each catch for additional safety.

Standard delivery

- 1,5 m lifting height (max distance between top and bottom hookpositions).

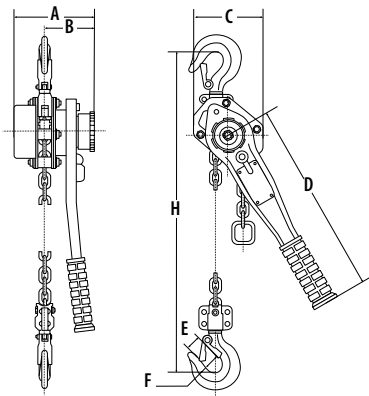
Option

- Available in other lifting heights.

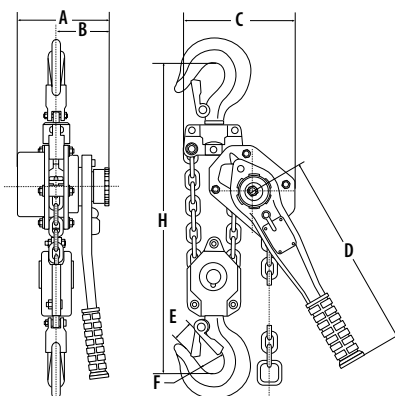
Norm:

- EN12100-1/2, EN13157, EN818-7

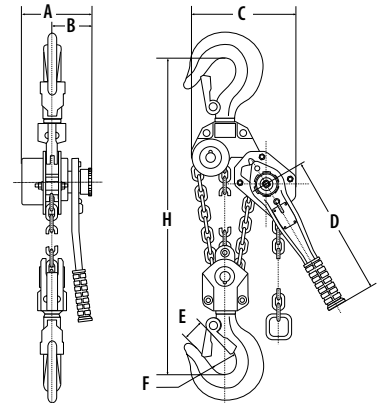
1.0-3.2 t



6.3 t



9.0 t



Type	WLL (kg)	Hand force max. (kg)	Load chain (mm)	Number of falls	Construction height (mm)	Weight (kg)	ProductId
YA-1000KG	1.000	37	5,6 x 17,1	1	312	6.2	0208003
YA-1600KG	1.600	37	7,1 x 21,0	1	352	9.2	0208005
YA-3200KG	3.200	37	9,0 x 27,2	1	420	15.5	0208007
YA-6300KG	6.300	38	9,0 x 27,2	2	564	26.5	0208009
YA-9000KG	9.000	39	9,0 x 27,2	3	589	42.0	0208011

Type	A (mm)	B (mm)	C (mm)	D (mm)	E (mm)	F (mm)	H (mm)
YA-1000KG	144	91	122	268	28	43	312
YA-1600KG	162	99	136	310	29	43	352
YA-3200KG	186.5	104	180	310	36	53	420
YA-6300KG	186.5	104	235	310	47	70	564
YA-9000KG	186.5	104	300	310	73	85	689

REMA YA mini ratchet hoist



The REMA YA ratchet hoist is an extremely robust ratchet hoist for hoisting, pulling, tensioning and lashing in all directions. With one simple action the ratchet hoist can be set in its freewheel.

Properties

- Very low self weight, compact dimensions.
- The rotatable top and bottom hook are provided with safety latches.
- In case of overload, the hooks will gradually bend and do not suddenly break off.
- Self locked brake that holds the load at any desired height.
- Freewheel is possible in unloaded condition.
- Freewheel by one simple action.
- The hoist is fitted with a rubber anti-slip handle.
- Galvanized load chain (Grade 10).

Standard delivery

- 1,5 m lifting height (max distance between top and bottom hookpositions).

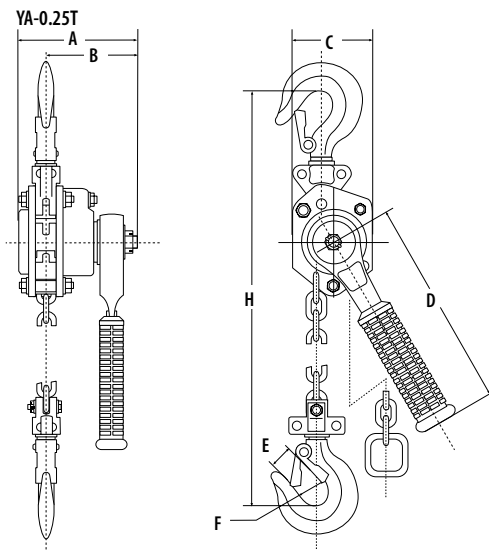
Option

- Available in other lifting heights.

Norm:

- EN12100-1/2, EN13157, EN818-7

Only weighs
2 kg with
1,5 meter Lifting



Type	WLL (kg)	Hand force max. (kg)	Load chain (mm)	Number of falls	Construction height (mm)	Weight (kg)	ProductId
YA-250KG	250	30	4.0 x 12.0	1	235	2.0	0208000

Type	A (mm)	B (mm)	C (mm)	D (mm)	E (mm)	F (mm)	H (mm)
YA-250KG	91	70	60	155	23	31	235

REMA YAM ratchet hoist

The REMA YAM mini ratchet hoist is compact and a very low own weight. The required manual effort on the short handle (180 mm) remains low because the YAM is equipped with a gear transmission. The ideal tool for assembly work such as hoisting, pulling and tensioning.

Properties:

- Very low self weight (2,8 kg), compact.
- Hooks equipped with safety latches.
- Self locked brake holds the load at any desired height.
- Freewheel is possible in unloaded condition, by 1 operation.
- Hoist fitted with rubber anti-slip handle.
- In case of overload, the hooks will gradually bend and do not suddenly break off.
- Galvanized load chain Grade 10.

Standard delivery:

- 1,5 m lifting height (max. distance between top & bottom hooks).

Option:

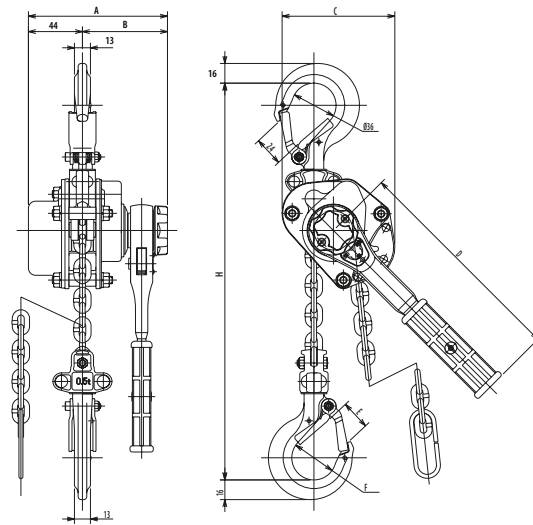
- Available in other lifting heights.

Norm:

- EN12100-1/2, EN13157, EN818-7



**Only weighs
2,8 kg with
1,5 meter Lifting**



Type	WLL (kg)	Hand force max. (kg)	Load chain (mm)	Number of falls	Construction height (mm)	Weight (kg)	productid
YAM-500KG	500	35	4.3 x 12	1	240	2.8	0208002

Type	A (mm)	B (mm)	C (mm)	D (mm)	E (mm)	F (mm)	H (mm)
YAM-500KG	113	69	92	180	24	36	240

REMA YAS ratchet hoist



The REMA YAS Puller is an extremely robust ratchet hoist for pulling in all directions. With one simple action the ratchet hoist can be set in its freewheel.

Fitted with shipyard hooks.

Properties

- Technical specifications see YA ratchet hoist.
- Equipped with shipyard hooks, only suitable for pulling.
- Can be used to pull steel sections together.

Standard delivery

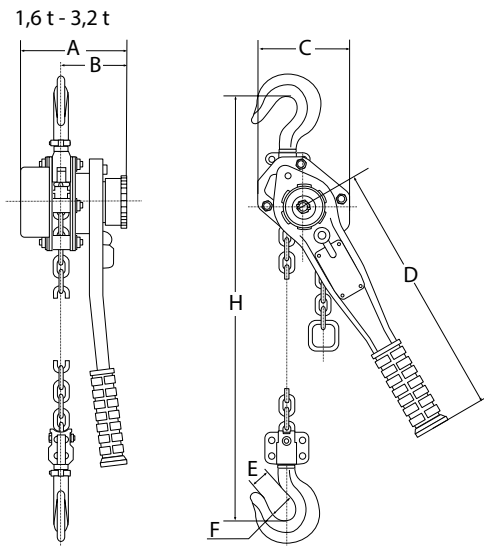
- 1.5 m working length (maximum distance between top and bottom hook).

Option

- Longer chain length are available.

Norm:

- EN12100-1/2, EN13157, EN818-7



Type	WLL (kg)	Hand force max. (kg)	Load chain (mm)	Number of falls	Construction height (mm)	Weight (kg)	ProductId
YAS-1600KG-SW	1.600	37	7,1 x 21,0	1	352	9.2	0208006
YAS-3200KG-SW	3.200	37	9,0 x 27,2	1	420	15.5	0208008

Type	A (mm)	B (mm)	C (mm)	D (mm)	E (mm)	F (mm)	H (mm)
YAS-1600KG-SW	162	99	136	310	34	45	352
YAS-3200KG-SW	186,5	104	180	310	47	57	420

REMA Select 2 OD ratchet hoist (OD is with overload device)



The REMA Select 2 OD ratchet hoist with serial built-in overload device, except 250 kg *, for safe working during lifting, pulling, tensioning or lashing.

Properties

- The innovative overload device ensures safer operation of the hoist.
- Overload device system makes it possible to lower the load in a controlled way.
- Overload device prevents dangerous overloading of the hoist and construction.
- Low leverage at full load due to bearing.
- Equipped with a double pawl system.
- Brake fitted with asbestos-free friction discs.
- Load chain wheel is made of precision and wear-resistant alloy steel.
- Freewheel is possible in unloaded condition.
- Top and bottom swivel hook with robust safety latches.
- In case of overload, the hooks will gradually bend and do not suddenly break off.
- Galvanized load chain Grade 8.
- Lever with REMA rubber anti-slip handle.

Standard delivery

- 1,5 m lifting height (max distance between top and bottom hook).
- 250 kg without overload device.

Option

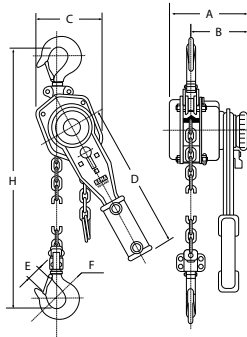
- Available in other lifting heights.

Norm:

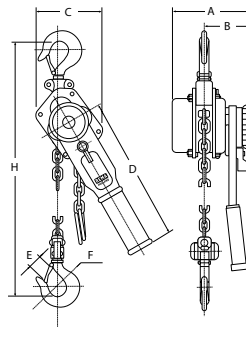
- EN12100-1/2, EN13157, EN818-7



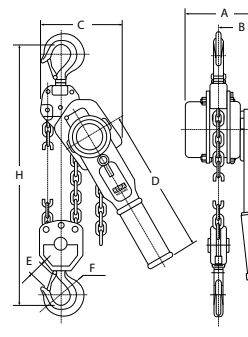
0.25 t



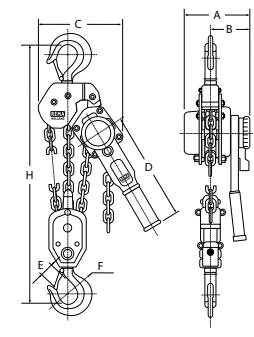
0.5 t - 3.0 t



6.0 t



9.0 t



Type	WLL (kg)	Hand force max. (kg)	Load chain (mm)	Number of falls	Construction height (mm)	Weight (kg)	ProductId
S2-250KG*	250	28.2	4.0 x 12.0	1	235	2.5	0220000
S2OD-500KG	500	24.8	5.0 x 15.0	1	310	5.5	0220001
S2OD-800KG	800	26.5	5.6 x 17.0	1	340	6.5	0220003
S2OD-1600KG	1.600	29.5	7,1 x 21,0	1	400	10.2	0220005
S2OD-3200KG	3.200	33.5	10.0 x 28.0	1	520	22.0	0220007
S2OD-6300KG	6.300	37.0	10.0 x 28.0	2	640	34.0	0220009
S2OD-9000KG	9.000	42.0	10.0 x 28.0	3	730	45.0	0220011

* = without overload protection.

Type	A (mm)	B (mm)	C (mm)	D (mm)	E (mm)	F (mm)	H (mm)
S2-250KG*	100	70	86	163	20	31	235
S2OD-500KG	150	90	118	253	22	32	310
S2OD-800KG	158	98	132	273	26	36	340
S2OD-1600KG	185	111	145	378	29	43	400
S2OD-3200KG	212	124	198	418	37	50	520
S2OD-6300KG	212	124	230	418	43	53	640
S2OD-9000KG	212	124	338	418	44	67	730

REMA X-Line ratchet hoist



The REMA X-Line is a competitive ratchet hoist for safe and reliable operation during hoisting, pulling, tensioning or lashing.

Properties

- Low effort at full load.
- Increased operational safety due to double pawl system.
- Brake with asbestos free friction discs.
- Freewheel in unloaded condition.
- Load chain wheel is made of wear-resistant alloy steel.
- Top and bottom hook have safety latches.
- In case of overload, the hooks will gradually bend and do not suddenly break off.
- Galvanized load chain (Grade 8).

Standard delivery

- 1,5 m lifting height (max distance between top and bottom hook).

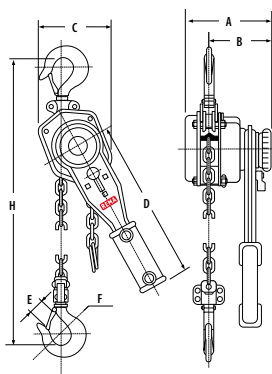
Option

- Available in other lifting heights.

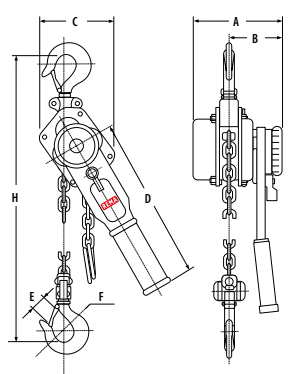
Norm:

- EN12100-1/2, EN13157, EN818-7

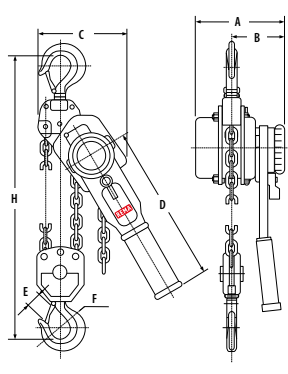
0.25t



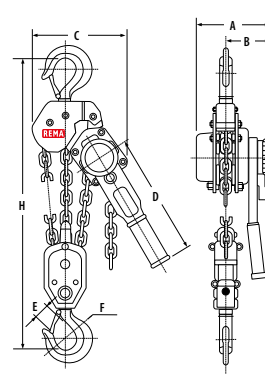
0.5t-3.2t



6.3t



9.0t



Type	WLL (kg)	Hand force max. (kg)	Load chain (mm)	Number of falls	Construction height (mm)	Weight (kg)	ProductId
X-LH025/250KG	250	28.2	4.0 x 12.0	1	235	2.5	0270000
X-LH050/500KG	500	24.8	5.0 x 15.0	1	310	5.5	0270001
X-LH080/800KG	800	26.5	5.6 x 17.0	1	340	6.5	0270003
X-LH16/1600KG	1600	29.5	7,1 x 21,0	1	400	10.2	0270005
X-LH32/3200KG	3200	33.5	10.0 x 28.0	1	520	22.0	0270007
X-LH63/6300KG	6300	37.0	10.0 x 28.0	2	640	34.0	0270009
X-LH90/9000KG	9000	42.0	10.0 x 28.0	3	730	45.0	0270011

Type	A (mm)	B (mm)	C (mm)	D (mm)	E (mm)	F (mm)	H (mm)
X-LH025/250KG	100	70	86	163	20	31	235
X-LH050/500KG	150	90	118	253	22	32	310
X-LH080/800KG	158	98	132	273	26	36	340
X-LH16/1600KG	185	111	145	378	29	43	400
X-LH32/3200KG	212	124	198	418	37	50	520
X-LH63/6300KG	212	124	230	418	43	53	640
X-LH90/9000KG	212	124	338	418	44	67	730

3

Comparison list electric chain hoist	26
Elephant electric chain hoist	27
REMA SR electric chain hoist 400V	35
REMA SR electric chain hoist 230V	37
REMA LK electric chain hoist Heavy	39



Selection guide for electric chain hoists



Elephant FAH/FBH | 400 V

A popular, sturdy chain hoist with limit switches, plug connections and a 24 V control voltage. The FAH has a single hoisting speed and the FBH has two hoisting speeds.

Main features

The high duty cycle and high speed ensure trouble-free operation and a long service life.

500 kg - 3.000 kg

Page 27



Elephant ALHVDH | 230 V

Compact aluminium electric chain hoist with positioning options for the load hook with variable speed.

Main features

Intended for situations where a lot of freedom of movement is required to position and/or move loads. Can be used in various applications to its high duty cycle and high hoisting speed.

250 kg

Page 31



Elephant ALH/ALHB/ALHV | 230 V

A compact aluminium electric chain hoist with a low weight, available in three different versions. The ALH has one hoisting speed, the ALHB has two hoisting speeds and the ALHV has a variable hoisting speed.

Main features

Thanks to its high duty cycle in combination with the high hoisting speeds, it is suitable for a wide variety of uses. For loads up to 500 kg.

100 kg - 500 kg

Pages 28-29



REMA SR | 400 V 125 kg - 6.300 kg REMA SR | 230 V 250 kg - 2.000 kg

400V is available as a direct-controlled model and as a 24V control voltage, 230V is only available in 24V control model including limit switches.

Main features

Thanks to the wide choice of options, such as different hoisting speeds, duty cycles and voltages, it is suitable for a wide variety of applications.

125 kg - 6.300 kg

Pages 32-35



Elephant Beta | 230 V

An extremely compact aluminium electric chain hoist with an extremely low weight (7.5 kg) with a 3 m lifting height. It is one of the lightest mobile electric chain hoist on the market.

Main features

Ideal for installation and assembly work. Suitable for being carried in a service vehicle, thanks to its small dimensions and very low weight.

125 kg - 200 kg

Page 30



REMA LK-13 | 400 V / 24 V

Electric chain hoist for heavy loads, with a 24 V control voltage and limit switches for the highest and lowest load hook positions.

Main features

Thanks to the long duty cycle of this type of hoist, it is suitable for applications where greater hoisting heights need to be traversed with heavy loads.

5.000 kg - 12.500 kg

Page 36

✓ Checklist when acquiring an electric hoist

- | | |
|--|--|
| <input type="checkbox"/> Type of hoist (Elephant ALC ALH ALHB FAH FBH ALHVDH REMA SR REMA LK-13) | <input type="checkbox"/> Type of suspension (hook/eye suspension or in combination with a trolley) |
| <input type="checkbox"/> Lifting capacity | <input type="checkbox"/> With or without trolley |
| <input type="checkbox"/> Lifting height | <input type="checkbox"/> Type of trolley |
| <input type="checkbox"/> Operating height | <input type="checkbox"/> Track height |
| <input type="checkbox"/> Lifting speed (1 or 2 speeds) | <input type="checkbox"/> Trolley travel speed (1 or 2 speeds) |
| <input type="checkbox"/> Duty period, is this intensive use or not. | <input type="checkbox"/> Trolley flange width |
| <input type="checkbox"/> Supply voltage (230 V or 400 V) | <input type="checkbox"/> Integrated with hoist |
| <input type="checkbox"/> Control (direct or 24 V controlled) | <input type="checkbox"/> Supply cable (round or flat cable) |
| <input type="checkbox"/> Limit switches or not (standard for 24 V, only applies to REMA SR) | <input type="checkbox"/> Cable track length (power cable/live conductor) |

Elephant electric chain hoist FAH 400 V 1 speed / FBH 2 speed



The 400 V electric chain hoists are extremely solid and have a robust sheet steel housing. Very popular as it is ready to use with limit switches, 24 V control voltage, control unit and plug connections. The high duty cycle and high lifting speed ensure trouble-free operation and a long service life.

Properties

- Slip clutch against overload.
- Brake that holds the load at any desired height.
- Limit switches for highest and lowest hook positions.
- Operation 24 Volt control voltage.
- Power and control cables are equipped with plug connection.
- Phase protection against incorrect rotation of the motor.
- Galvanized load chain, Class DAT (Grade 8).
- Operating voltage 400 VAC / 50 Hz.
- In case of overload, the hooks will gradually bend and do not suddenly break off.

Standard delivery

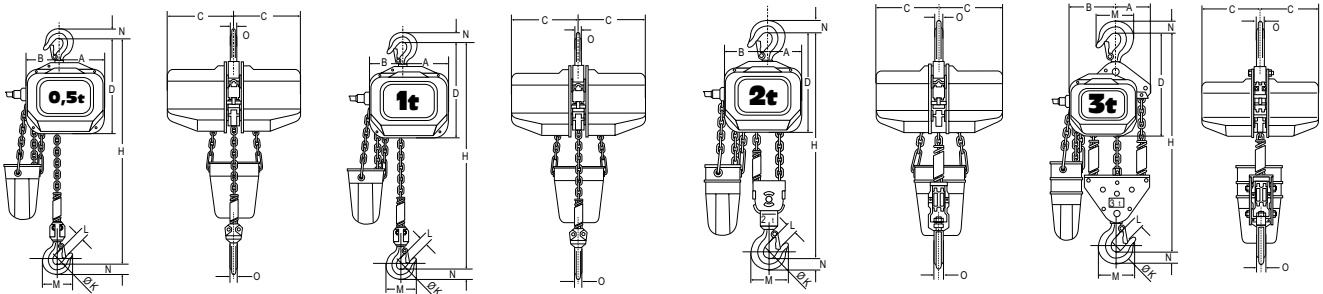
- 3 m lifting height (max. between top and bottom hook).
- 1.8 m control cable.
- Limit switches highest and lowest hook position.
- Push-button 24 V control unit.
- 4 m power cable.
- Chain bucket for 3 m lifting height.
- Trolley not included.

Option

- Increased lifting and/or control height.
- Larger chain bag > 3 m lifting height.
- Wireless remote control.
- Push / electric trolley.
- 440 V / 60 Hz on request

Norm:

- EN12100-1/2, EN818-7, EN14492



Type	WLL (kg)	Lifting speed (m/min)	Duty cycle 120 sch/h (%)	Load chain (mm)	Number of falls	Max. lifting height (m)	Construction height (mm)	Power output (kW)	Weight (kg)	ProductId
FAH05/500	500	7.0	40	6,3 x 19,1	1	30	480	0.9	43	0515001
FAH10/1000	1.000	7.6	40	7,1 x 21,2	1	30	570	1.6	56	0515003
FAH20/2000	2.000	3.8	40	7,1 x 21,2	2	15	710	1.6	64	0515005
FAH30/3000	3.000	2.5	40	7,1 x 21,2	3	10	810	1.6	83	0515007
FBH05/500	500	7.0/1.8	40/20	6,3 x 19,1	1	30	480	0.9/0.25	44	0512013
FBH10/1000	1.000	7.6/1.9	40/20	7,1 x 21,2	1	30	570	1.6/0.4	57	0512015
FBH20/2000	2.000	3.8/1.0	40/20	7,1 x 21,2	2	15	710	1.6/0.4	65	0512017
FBH30/3000	3.000	2.5/0.6	40/20	7,1 x 21,2	3	10	810	1.6/0.4	84	0512019

Type	A (mm)	B (mm)	C (mm)	D (mm)	H (mm)	K (mm)	L (mm)	M (mm)	N (mm)	O (mm)	Isolation class	Current (V)	Protection class IP	FEM 9.511 lifting motor
FAH/FBH05/500	161	124	224	311	480	36	26	86	24	19	E	400	IP54	1Am
FAH/FBH10/1000	170	128	239	348	570	43	33	107	31	23	E	400	IP54	1Am
FAH/FBH20/2000	133	165	239	372	710	53	42	144	44	30	E	400	IP54	1Am
FAH/FBH30/3000	148	208	239	427	810	60	50	165	49	35	E	400	IP54	1Am

Elephant Alpha 230 V electric chain hoists

The Elephant Alpha 230 V electric chain hoists are compact and have a very low weight (aluminum housing). Popular hoist due to the high duty cycle in combination with a high lifting speed.

Properties

- Slip clutch against overload.
- Self-locking brake that holds the load at any desired height.
- In case of overload, the hooks will gradually bend and do not suddenly break off.
- Galvanized load chain, class DAT (Grade 8).

Technical specification:

- Insulation class B.
- FEM 9.511 motor: 1Am.
- Power supply 230VAC.
- Protection class IP54
- Control power supply 230VAC direct control.

Type description:

- **ALH** = 1 speed lifting.
- **ALHB** = 2 speed lifting.
- **ALHV** = Variable speed.

Standard delivery

- 3 m lifting height (maximum distance between top and bottom hook).
- 1.8 m control cable, direct control.
- 4 m power cable.
- Chain bucket up to 6 m chain, from 6 m chain bag.
- Trolley not included.

Option

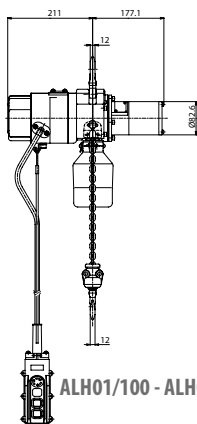
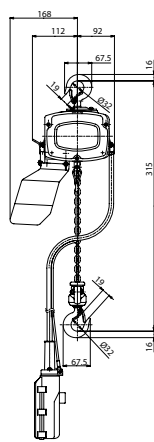
- Other hoisting and operating height is also possible.
- Larger chain container > 3 m.
- Wireless remote control except ALHV.
- Push trolley.

Norm:

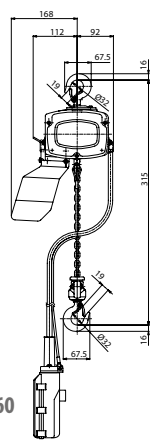
- EN12100-1/2, EN818-7, EN14492



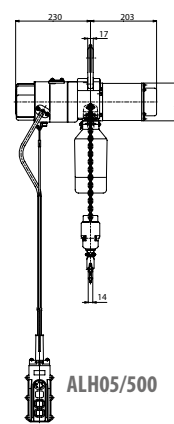
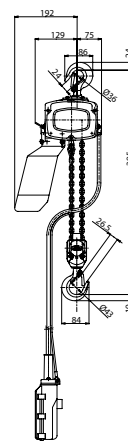
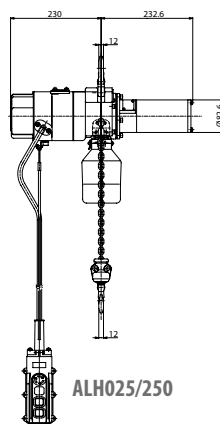
ALHV



ALH01/100 - ALH016/160



ALH025/250



ALH05/500

Type	WLL (kg)	Lifting speed (m/min)	Duty cycle 120 sch/h (%)	Load chain (mm)	Number of falls	Max. lifting height (m)	Construction height (mm)	Power output (kW)	Weight (kg)	ProductId
ALH01/100	100	13.0	30	4 x 12	1	30	325	0.3	15	0513005
ALH016/160	160	15.0	30	4 x 12	1	30	325	0.6	17	0513007
ALH025/250	250	10.0	30	4 x 12	1	30	325	0.6	17	0513009
ALH05/500	500	5.0	30	4 x 12	2	15	415	0.6	20	0513011
ALHB01/100	100	13.0/4.0	30	4 x 12	1	30	325	0.3	15	0513015
ALHB016/160	160	15.0/5.0	30	4 x 12	1	30	325	0.6	17	0513017
ALHB025/250	250	10.0/4.0	30	4 x 12	1	30	325	0.6	17	0513019
ALHB05/500	500	5.0/2.0	30	4 x 12	2	15	415	0.6	20	0513021
ALHV01/100	100	1~13.0	30	4 x 12	1	30	325	0.3	15	0513101
ALHV016/160	160	1~15.0	30	4 x 12	1	30	325	0.6	17	0513103
ALHV025/250	250	1~10.0	30	4 x 12	1	30	325	0.6	17	0513105
ALHV05/500	500	0.5~5.0	30	4 x 12	2	15	415	0.6	20	0513107

Elephant Alpha 400 V electric chain hoist



The Elephant Alpha 400 V electric chain hoists are compact and very low in weight (aluminium housing). Can be used in many situations due to high duty cycle in combination with a high lifting speed.

Properties

- Slip clutch against overload.
- Self-locking brake that holds the load at any desired height.
- In case of overload, the hooks will gradually bend and do not suddenly break off.
- Galvanized load chain, class DAT (Grade 8).

Technical specification:

- Insulation class E.
- FEM 9.511 motor: 2m.
- Power supply 400VAC.
- Protection class IP54.
- Control power supply 24VAC.

Standard delivery

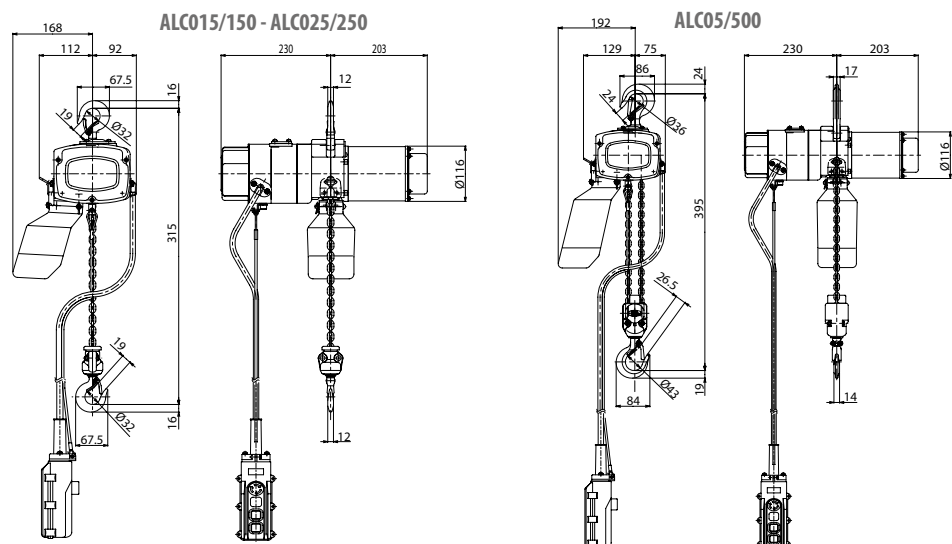
- 3 m lifting height (maximum distance between top and bottom hook).
- 1.8 m control cable.
- 24V pendant control station.
- 4 m power cable.
- Plastic chain bucket up to 6 m chain, from 6 m chain bag.
- Trolley not included.

Option

- Other hoisting and operating height is also possible.
- Larger chain bag > 3 m.
- Push trolley.
- Electric trolley, 1 speed 10m/min.

Norm:

- EN12100-1/2, EN818-7, EN14492



Type	WLL (kg)	Lifting speed (m/min)	Duty cycle 120 sch/h (%)	Load chain (mm)	Number of falls	Max. lifting height (m)	Construction height (mm)	Power output (kW)	Weight (kg)	ProductId
ALC015/150	150	9	40	4 x 12	1	30	325	0.55	18	0514001
ALC025/250	250	9	40	4 x 12	1	30	325	0.55	18	0514003
ALC05/500	500	4.5	40	4 x 12	2	15	415	0.55	22	0514005

Elephant BETA electric chain hoist



The Elephant Beta 230 VAC electric chain hoists are light weight, compact and ideal for light installation work.

Properties

- Slip clutch for overload prevention
- Self-locking brake that will hold the load at any required height
- Very low own weight, only 7.5 kg.
- Very compact.
- In case of overload, the hooks will gradually bend and do not suddenly break off.
- Grade 10 load chain.

Technical specification:

- Insulation class B.
- FEM 9.511 motor: 1Am.
- Power supply 230VAC.
- Protection class IP54
- Control power supply 230VAC direct control.

Standard delivery

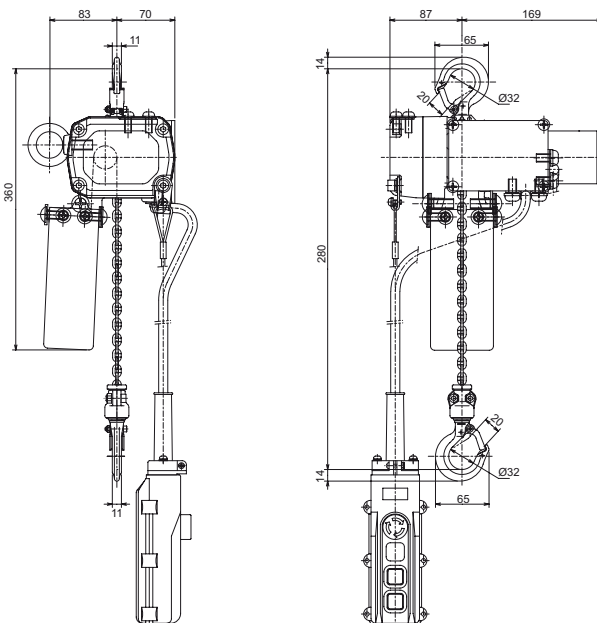
- 3 m lifting height (maximum distance between top and bottom hook).
- 1.8 m control cable, direct control.
- 3 m power cable.
- Chain bag max 10 m.
- Exclusive trolley.

Option

- Other hoisting and operating height is also possible.
- Push trolley.

Norm:

- EN12100-1/2, EN818-7, EN14492



Only weighs
7,5 kg
3m lifting height

Type	WLL (kg)	Lifting speed (m/min)	Duty cycle sw/h (%)	Load chain (mm)	Number of falls	Max. lifting height (m)	Construction height (mm)	Power (kW)	Weight (kg)	ProductId
BETA-H/125KG	125	6.5	150 (25)	3 x 9	1	10	280	0.18	7.5	0511001
BETA-H/200KG	200	3.8	150 (25)	3 x 9	1	10	280	0.18	7.5	0511003

Elephant Alpha ALHVDH 230V electric chain hoist



The ALHVDH 230 V electric chain hoist is a compact chain hoist.

The ALHVDH has a very low own weight (aluminum house). Can be used in many applications due to the high duty cycle in combination with a high lifting speed.

Properties

- Operation at the lower hook.
- Variable speed adjustable by turning the handle.
- Spiral control cable around the load chain.
- Slip clutch against overload.
- Self locking brake that holds the load at any desired height.
- In case of overload, the hooks will gradually bend and do not abruptly break off.
- Galvanized load chain, class DAT (Grade 8).

Technical specification:

- Insulation class B.
- FEM 9.511 motor: 1Am.
- Power supply 230VAC.
- Protection class IP54.

Standard delivery

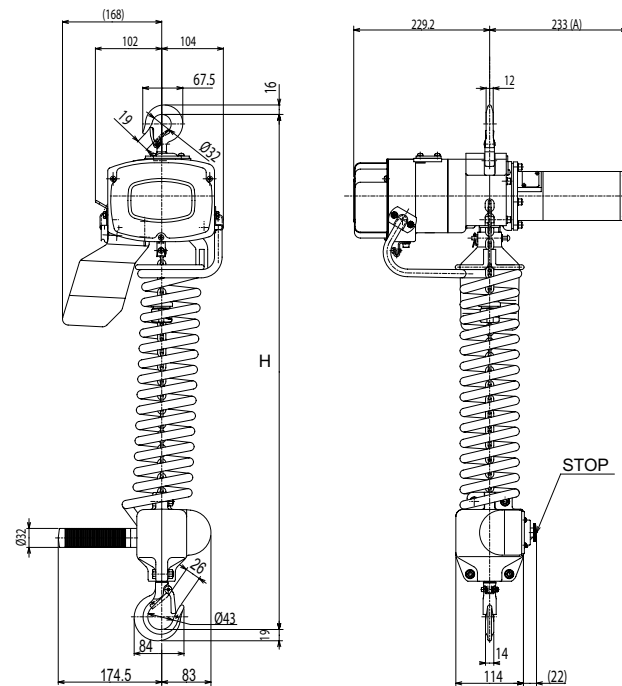
- 2,5 m lifting height (H=max distance between top and lower hook).
- 4 m power cable.
- Plastic chain bucket for 3 m lifting height.
- Exclusive trolley.

Option

- Push trolley.

Norm:

- EN12100-1/2, EN818-7, EN14492



Type	WLL (kg)	Lifting speed (m/min)	Duty cycle 120 sch/h (%)	Load chain (mm)	Number of falls	Max. lifting height (m)	Construction height (mm)	Power output (kW)	Weight (kg)	ProductId
ALHVDH/250	250	0.9~10	25	4 x 12	1	2.5	673	0.6	22	0513205

SR 24V low voltage control electric chain hoist



REMA SR is technically advanced electric chain hoist with the most important advantages being the very high duty cycle and modular construction.

Properties

- 400 V, 3 Ph, 50 Hz, 24 V control voltage IP 55, isolation class F.
- Equipped with limit switches for highest and lowest hook position.
- Very low construction height
- Very high duty cycle due to air-cooled motor.
- User-friendly and maintenance-friendly due to modular design.
- Patented braking system that holds the load at any desired height.
- Slip clutch against overload.
- Due to the modular design, the motor, closed drive, brake and drive motor can be replaced independently of each other.
- Simple and quick to build from single-fall to double-fall hoist.
- Load chain Class DAT (Grade 8).

Standard delivery

- 3 m lifting height (max distance between top and bottom hook).
- Control height of 1,8 meter.
- *Model 110/111 supplied with one hole suspension plate.
- 1 m power cable.
- Chain bag.
- Trolley not included.

Option

- Higher lifting and control heights.
- Bigger chain bag.
- Other operating voltages and frequencies are available.
- Wireless remote control.
- Push or electric trolley.

Norm:

- EN12100-1/2, EN818-7, EN14492



Option on request

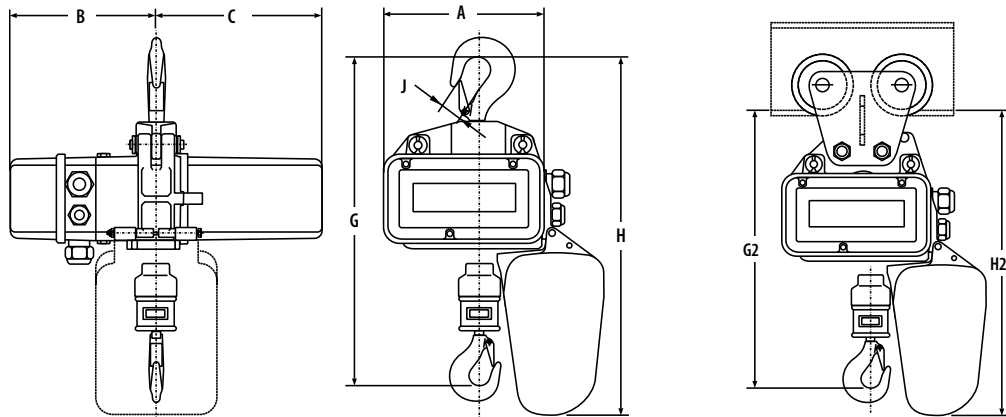


Option: electric hoist with electric trolley



Type	WLL (kg)	Lifting speed (m/min)	Number of falls	Load chain (mm)	FEM 9.511 lifting motor	Duty cycle (ED%-sw/h)	Motor output (kW)	Standard chain container lifting height (m)	(A) Larger-chain bucket lifting height (m)	Trolley type	Weight (kg)	ProductId
SR030/62-125KG-24V	125	8	1	5.2 x 15	4m	60/360	0.55	8	30	500	16	0851000
SR031/53-125KG-24V	125	8/2	1	5.2 x 15	4m	60/40/360	0.32/0.08	8	30	500	16	0851001
SR031/51-250KG-24V	250	8/2	1	5.2 x 15	3m	50/25/300	0.32/0.08	8	30	500	17	0851003
SR030/64-250KG-24V	250	8	1	5.2 x 15	3m	50/300	0.55	8	30	500	17	0851006
SR031/51-500KG-24V	500	4/1	2	5.2 x 15	3m	50/25/300	0.32/0.08	4	15	500	18	0851009
SR030/52-500KG-24V	500	8	1	5.2 x 15	1Bm	40/240	0.7	8	25	2000	18	0861013
SR071/54-500KG-24V	500	8/2	1	7.2 x 21	2m	60/25/240	0.9/0.2	5	17	2000	45	0861016
SR030/52-1000KG-24V	1000	4	2	5.2 x 15	1Bm	40/240	0.7	4	12	2000	20	0861015
SR071/55-1000KG-24V	1000	6/1.5	1	7.2 x 21	2m	60/25/240	1.1/0.2	5	17	2000	45	0861029
SR070/55-1000KG-24V	1000	6	1	7.2 x 21	2m	40/240	1.1	5	17	2000	45	0851033
SR091/55 1600KG-24V	1600	8/2	1	9.0 x 27	2m	60/25/240	3/0.75	10	18	3200	78	0861044
SR071/55-2000KG-24V	2000	3/0.75	2	7.2 x 21	2m	60/25/240	1.1/0.2	4	8	2000	53	0861031
SR070/53-2000KG-24V	2000	5	2	7.2 x 21	1Am	60/240	1.7	4	8	2000	53	0861035
SR111/52-2500KG-24V*	2500	10/2.5	1	11.3 x 31	2m	40/25/150	4.4/1.1	6	12	6300	108	0861053
SR091/55-3200KG-24V	3200	4/1	2	9.0 x 27	2m	60/25/240	3/0.75	5	9	3200	88	0861046
SR111/54-3200KG-24V*	3200	8/2	1	11.3 x 31	1Bm	25/25/150	4.4/1.1	6	12	6300	108	0861057
SR110/52-5000KG-24V*	5000	5	2	11.3 x 31	2m	60/240	4	3	6	6300	107	0861051
SR111/52-5000KG-24V*	5000	5/1.25	2	11.3 x 31	2m	40/25/150	4.4/1.1	3	6	6300	125	0861055
SR111/54-6300KG-24V*	6300	4/1	2	11.3 x 31	1Bm	25/25/150	4.4/1.0	3	6	6300	125	0861059

Type	A (mm)	B (mm)	C (mm)	G (mm)	G2 (mm)	H (mm)	H2 (mm)	J (mm)
SR030/62-125KG-24V	212	192	220	437	409	547	516	20
SR031/53-125KG-24V	212	192	220	437	409	547	516	20
SR031/51-250KG-24V	212	192	220	437	409	547	516	20
SR030/64-250KG-24V	212	192	220	437	409	547	516	20
SR031/51-500KG-24V	212	192	220	485	454	547	516	22
SR030/52-500KG-24V	212	192	220	437	409	547	516	20
SR071/54-500KG-24V	266	232	274	500	460	607	567	22
SR030/52-1000KG-24V	212	192	220	485	454	547	516	22
SR071/55-1000KG-24V	266	232	274	500	460	607	567	22
SR070/55-1000KG-24V	266	232	274	500	460	607	567	22
SR091/55 1600KG-24V	359	283	359	615	548	746	680	28
SR071/55-2000KG-24V	266	232	274	601	561	607	567	28
SR070/53-2000KG-24V	266	232	274	601	561	607	567	28
SR111/52-2500KG-24V*	359	291	410	732	678	792	738	30
SR091/55-3200KG-24V	359	283	359	723	655	746	680	30
SR111/54-3200KG-24V*	359	291	410	732	678	792	738	30
SR110/52-5000KG-24V*	359	291	367	861	807	792	738	42
SR111/52-5000KG-24V*	359	291	410	861	807	792	738	42
SR111/54-6300KG-24V*	359	291	410	861	807	792	738	42



REMA SR electric chain hoist 230/24 Vac



Series SR 230 V electric chain hoists are available in several designs and they have the same advantages as standard 400V models i.e. safety slip clutch/brake assembly, low constructional height etc. For the 1-phase connection, wire having a minimum cross-section of 2.5 mm². For power distribution at building sites, use connection cables of as short as possible to minimize voltage drop.

Properties

- 230VAC, 1 phase, 50Hz, connection is to be made using a wire of at least 2.5 mm².
- 24VAC control voltage including limit switch up and down.
- Advanced motors having high thermal load capacities.
- Long switch-on periods to facilitate high lifting height.
- Maximum safety due to the patented slip clutch/brake assembly.
- The brake holds loads at any desired height.
- At the top and bottom hook positions, switch-off at limit points is ensured by a slip clutch.
- Mounted with a fixed suspension or combined with a push trolley.
- Load chain (grade 8 in compliance with EN 818/7).

Standard delivery

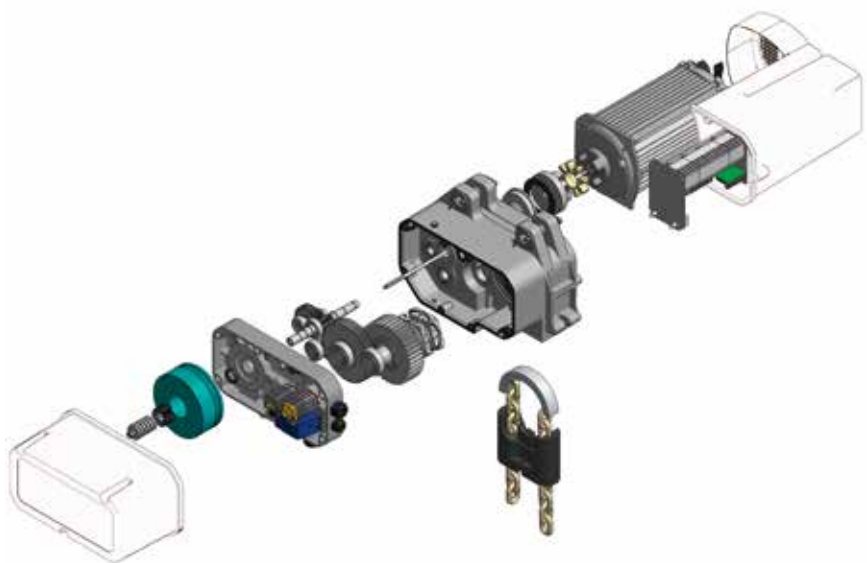
- 3 m lifting height (maximum distance between top and bottom hook).
- 1.8 m control cable with push-buttons 24VAC
- Includes limit switches.
- 1 m power cable.
- Chain bag.
- Trolley not included.

Option

- Any other hoisting and operating height is also possible.
- Larger chain bag.
- Wireless remote control.
- Thermal protection against electrical overload.
- Pushing trolleys.

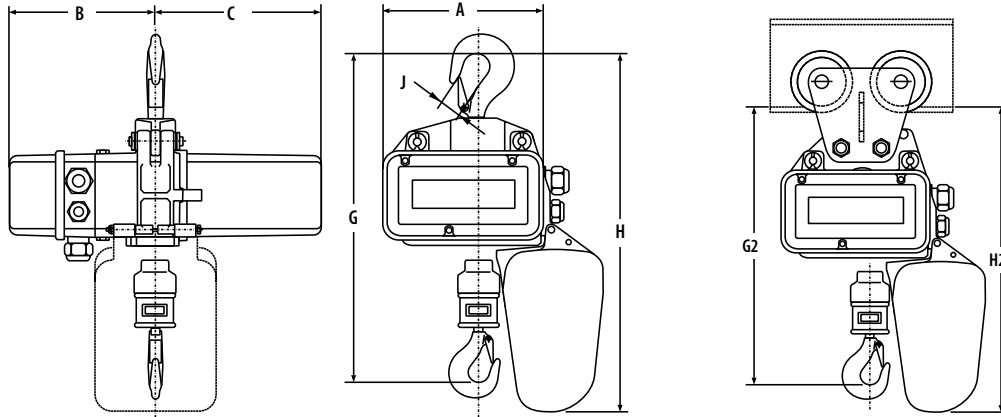
Norm:

- EN12100-1/2, EN818-7, EN14492



Type	WLL (kg)	Lifting speed (m/min)	Number of falls	Load chain (mm)	FEM 9.511 lifting motor	Duty cycle (ED%-sw/h)	Motor output (kW)	Standard chain container lifting height (m)	(A) Larger-chain bucket lifting height (m)	Trolley type	Weight (kg)	ProductId
SR030/01-250KG-24V	250	8	1	5.2 x 15	1Bm	25/150	0.35	8	30	HFN500	16	0801202
SR030/01-500KG-24V	500	4	2	5.2 x 15	1Bm	25/150	0.35	4	15	HFN500	17	0801204
SR050/02-500KG-24V	500	8	1	5.2 x 15	1Bm	25/150	0.7	8	25	HFN2000	33	0801207
SR050/02-1000KG-24V	1000	4	2	5.2 x 15	1Bm	25/150	0.7	4	12	HFN2000	35	0801209
SR070/01-1000KG-24V	1000	6	1	7.2 x 21	1Bm	25/150	1.1	5	17	HFN2000	36	0801215
SR070/01-2000KG-24V	2000	3	2	7.2 x 21	1Bm	25/150	1.1	4	8	HFN2000	41	0801217

Type	A (mm)	B (mm)	C (mm)	G (mm)	G2 (mm)	H (mm)	H2 (mm)	J (mm)
SR030/01-250KG-24V	212	192	220	437	406	487	456	20
SR030/01-500KG-24V	212	192	220	485	454	487	456	22
SR050/02-500KG-24V	266	232	274	465	449	520	505	20
SR050/02-1000KG-24V	266	232	274	513	497	520	505	22
SR070/01-1000KG-24V	266	232	274	500	460	547	507	22
SR070/01-2000KG-24V	266	232	274	601	561	607	567	28



REMA LK 400/24 V heavy duty electric chain hoist

The REMA LK has proven to be a reliable and safe electric chain hoist under the most difficult conditions and circumstances.



Properties

- Very high lifting capacities for electric chain hoists up to 12.5 tonnes.
- Patented braking system that holds the load at any desired height.
- Slip clutch against overload of the hoist.
- With gear limit switch 4 positions, not adjusted.
- High duty cycle combined with high lifting speeds.
- Galvanized load chain, class DAT (Grade 8).

Standard delivery

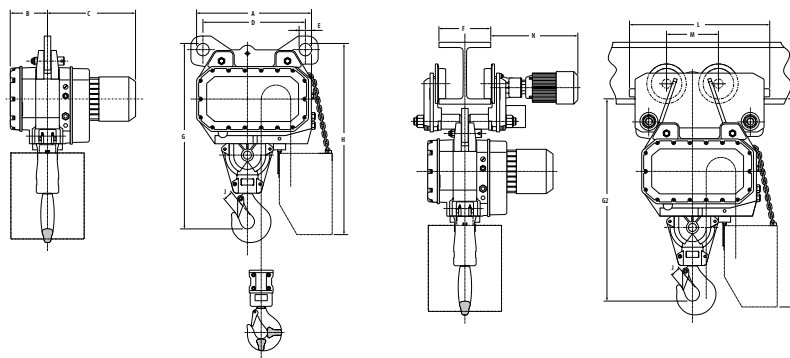
- 3 m lifting height (maximum distance between suspension link and lower hook).
- 1.8 m control cable with push button.
- Push button switch box 24VAC control voltage.
- 1 m power cable.
- Chain bag.
- 2-hole suspension plate.
- Trolley not included.

Option

- Any other hoisting and operating height is also possible.
- Larger chain bag.
- Other voltages and frequencies available.
- Wireless remote control.
- Hook suspension.
- Electric trolley.
- Capacities above 12.5 tons to 25 tons on request.

Norm:

- EN12100-1/2, EN818-7, EN14492



Type	WLL (kg)	Lifting speed (m/min)	Number of falls	Load chain (mm)	FEM 9.511 lifting motor	Duty cycle (ED%-sw/h)	Motor output (kW)	Standard chain container lifting height (m)	(A) Largerchain bucket lifting height (m)	Trolley type	Weight (kg)	ProductId
LK13/5000	5.000	5.6/1.4	1	16 x 45	1Am	60/40/180	6.0/1.3	10	16	12500	242	0803037
LK13/6300	6.300	5.6/1.4	1	16 x 45	1Bm	60/40/150	6.4/1.6	10	16	12500	242	0803039
LK13/8000	8.000	2.8/0.7	2	16 x 45	2m	60/40/240	6.0/1.3	5	8	12500	260	0803041
LK13/10000	10.000	2.8/0.7	2	16 x 45	1Am	60/40/180	6.0/1.3	5	8	12500	260	0803043
LK13/12500	12.500	2.8/0.7	2	16 x 45	1Bm	60/40/150	6.4/1.6	5	8	12500	260	0803045

Type	A (mm)	B (mm)	C (mm)	D (mm)	E (mm)	F (mm)	G (mm)	G2 (mm)	H (mm)	H2 (mm)	J (mm)	L (mm)	M (mm)	N (mm)
LK13/5000	567	183	434	500	66	140-310	823	901	957	1036	42	700	256	430
LK13/6300	567	183	434	500	66	140-310	823	901	957	1036	42	700	256	430
LK13/8000	567	183	434	500	66	140-310	916	994	957	1036	52	700	256	430
LK13/10000	567	183	434	500	66	140-310	916	994	957	1036	52	700	256	430
LK13/12500	567	183	434	500	66	140-310	916	994	957	1036	52	700	256	430

4

Trolley	38
REMA RM adjustable trolleys	42
Beam end buffers	44



REMA® CE
HOLLAND
Select 211
Push Trolley
Serial No.
1.01

REMA 116 push trolley

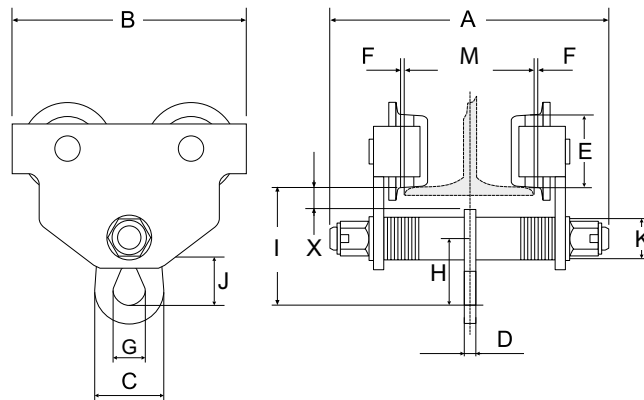


Properties

- Adjustable flange width by moving the adjusting rings.
- Suitable for various I-beams and H-beams.
- Equipped with solid steel machined wheels.
- Maintenance-free bearings.
- Tilting and anti-drop protection provides extra safety.

Norm:

- EN12100-1/2, EN13157



Type	WLL (kg)	Flange width (mm)	Min. radius (mm)	Weight (kg)	ProductId
116-0.5	500	50 - 152	800	6.5	0921001
116-1.0	1000	64 - 203	1000	10.5	0921003
116-2.0	2000	88 - 203	1100	17.5	0921005
116-3.0	3000	100 - 203	1300	27.0	0921007
116-5.0	5000	114 - 203	1400	41.0	0921009

Type	A (mm)	B (mm)	C (mm)	D (mm)	E (mm)	F (mm)	G (mm)	H (mm)	I (mm)	J (mm)	X (mm)
116-0.5	245	199	51	6	55	1.5 - 3	24	37	105	25	25
116-1.0	311	246	62.5	8	68	1.5 - 3	30	46	125	31	31
116-2.0	327	276	76	12	80	1.5 - 3	36	58	150	40	40
116-3.0	343	332	86	13.6	100	1.5 - 3	42	90	171	69	69
116-5.0	355	377	109	16.4	110	1.5 - 3	48	110	196	86	86

REMA 117 geared trolley



Properties

- Adjustable flange width by moving the adjusting rings.
- Equipped with solid steel machined wheels.
- Tilting and anti-drop protection provides extra safety.
- Galvanized hand chain 5 x 23.7.
- Suitable for various I-beam and H-beams.
- 2-axles.

Standard delivery

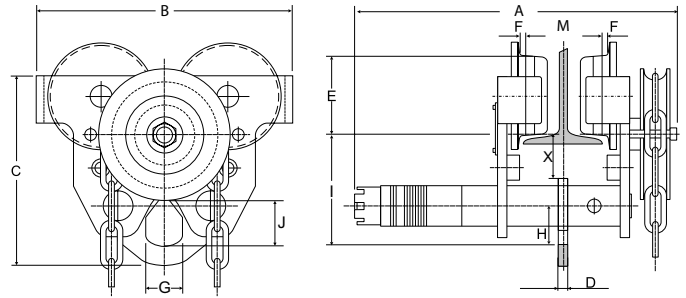
- Operating height 3 meters.

Option

- Every other operating height.

Norm:

- EN12100-1/2, EN13157, EN818-7



Type	WLL (kg)	Flange width (mm)	Min. radius (mm)	Weight (kg)	ProductId
117-10.0	10.000	124-305	2000	94	0922011
117-20.0	20.000	136-305	3500	174	0922013
117-30.0	30.000	175-305	6000	333	0922015

Type	A (mm)	B (mm)	C (mm)	D (mm)	E (mm)	F (mm)	G (mm)	H (mm)	I (mm)	J (mm)	X (mm)
117-10.0	525	442	396	30	136	2-3.5	92	120	190	137	45
117-20.0	600	555	498	30	175	2-3.5	92	120	233	137	58
117-30.0	640	760	620	40	175	2-3.5	106	130	283	155	68

REMA 118 push trolley stainless steel

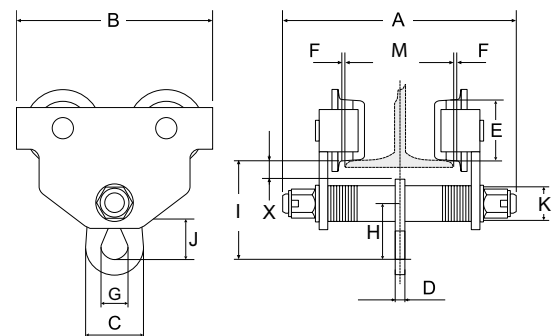


Properties

- Adjustable flange width by moving the adjusting rings.
- Equipped with solid stainless steel wheels.
- Tilting and anti-drop protection provides extra safety.
- Stainless steel AISI-304.

Norm:

- EN12100-1/2, EN13157



Type	WLL (kg)	Flange width (mm)	Min. radius (mm)	Weight (kg)	ProductId
118-500	500	50-152	900	9.5	0922101
118-1000	1000	64-203	1000	13.0	0922103

Type	A (mm)	B (mm)	C (mm)	D (mm)	E (mm)	F (mm)	G (mm)	H (mm)	I (mm)	J (mm)	X (mm)
118-500	244	200	50	8	55	1.5-3.5	24	52.5	111	32	34
118-1000	310	246	62	10	68	1.5-3.5	30	67	138	40	39.5

REMA 211/211BF push trolley



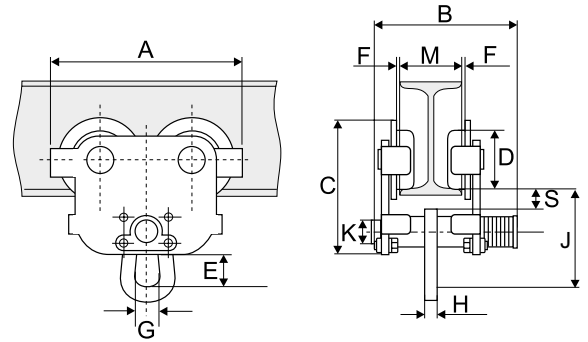
Trolley made of high-quality steel which can be easily mounted.

Properties

- Wheels of the trolley fit both I-beams and H-beams.
- Adjustable flange width by moving the adjusting rings.
- Solid steel wheels with maintenance-free bearings.
- Tilting and anti-drop protection provides extra safety.
- Short construction height in combination with REMA Select 200 OD hoist 0.5 / 1.0 / 2.0T, by link that replaces the upper hook.
- 211 type, standard version.
- 211BF type, wide flange version.

Norm:

- EN12100-1/2, EN13157



Type	WLL (kg)	Flange width (mm)	Min. radius (mm)	Weight (kg)	ProductId
211-0.25-50/152	250	50-152	800	4.6	0924000
211-0.5-50/135	500	50-135	800	6.8	0924001
211-1.0-55/140	1000	55-140	1000	11.2	0924003
211-2.0-65/155	2000	65-155	1100	16.9	0924005
211-3.0-90/160	3000	90-160	1300	28.6	0924007
211-5.0-90/180	5000	90-180	1500	44.8	0924009
211BF-0.5-130/215	500	130-215	800	6.8	0924101
211BF-0.5-215/300	500	215-300	800	6.8	0924102
211BF-1.0-140/215	1000	140-215	1000	11.2	0924201
211BF-1.0-215/300	1000	215-300	1000	11.2	0924202
211BF-2.0-150/230	2000	150-230	1100	16.9	0924301
211BF-2.0-230/300	2000	230-300	1100	16.9	0924302
211BF-3.0-160/230	3000	160-230	1300	28.6	0924401
211BF-3.0-230/300	3000	230-300	1300	28.6	0924402
211BF-5.0-180/230	5000	180-230	1500	44.8	0924501
211BF-5.0-230/300	5000	230-300	1500	44.8	0924502

Type	A (mm)	B (mm)	C (mm)	D (mm)	E (mm)	F (mm)	G (mm)	H (mm)	J (mm)	K (mm)	S (mm)
211-0.25-50/152	188	208	137	50	29	1.5~3	28	6	104	20	27
211-0.5-50/135	205	198	150	55	30	1.5~3	28	8	111	28	27
211-1.0-55/140	242	211	174	68	30	1.5~3	32	10	118	32	28
211-2.0-65/155	270	238	194	80	49	1.5~3	40	12	147	36	27
211-3.0-90/160	325	246	234	100	60	1.5~3	49	14	177	44	29
211-5.0-90/180	370	280	267	110	79	1.5~3	59	16	219	55	29
211BF-0.5-130/215	205	278	150	55	30	1.5~3	28	8	111	28	27
211BF-0.5-215/300	205	363	150	55	30	1.5~3	28	8	111	28	27
211BF-1.0-140/215	242	286	174	68	30	1.5~3	32	10	118	32	28
211BF-1.0-215/300	242	371	174	68	30	1.5~3	32	10	118	32	28
211BF-2.0-150/230	270	313	194	80	49	1.5~3	40	12	147	36	27
211BF-2.0-230/300	270	383	194	80	49	1.5~3	40	12	147	36	27
211BF-3.0-160/230	325	316	234	100	60	1.5~3	49	14	177	44	29
211BF-3.0-230/300	325	386	234	100	60	1.5~3	49	14	177	44	29
211BF-5.0-180/230	370	330	267	110	79	1.5~3	59	16	219	55	29
211BF-5.0-230/300	370	330	267	110	79	1.5~3	59	16	219	55	29

REMA 212/212BF Geared trolley



Trolley made of high-quality steel which can be easily mounted.

Properties

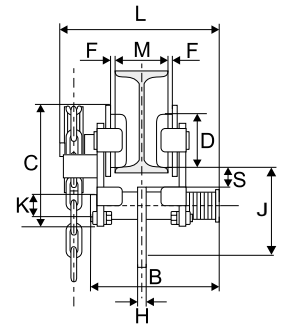
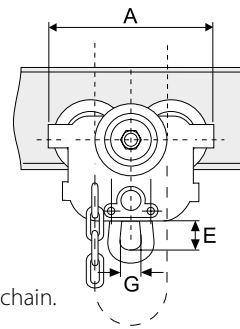
- Wheels of the trolley fit both I-beams and H-beams.
- Adjustable flange width by moving the adjusting rings.
- Solid steel wheels with maintenance-free bearings.
- Tilting and anti-drop protection provides extra safety.
- Short construction height in combination with REMA Select 200 OD hoist 0.5 / 1.0 / 2.0T, by link that replaces the upper hook.
- 211 type, standard version.
- 211BF type, wide flange version.
- Galvanised hand chain 5 x 23,7 mm.

Standard delivery

- Operating height 3 meters.

Option

- Longer or shorter operating chain.



Norm:

- EN12100-1/2, EN13157, EN818-7

Type	WLL (kg)	Flange width (mm)	Min. radius (mm)	Weight (kg)	ProductId
212-0.5-50/135	500	50-135	800	8.0	0925001
212-1.0-55/140	1000	55-140	1000	12.4	0925003
212-2.0-65/155	2000	65-155	1100	18.1	0925005
212-3.0-90/160	3000	90-160	1300	30.3	0925007
212-5.0-90/180	5000	90-180	1500	46.5	0925009
212BF-0.5-130/215	500	130-215	800	8.0	0925101
212BF-0.5-215/300	500	215-300	800	8.0	0925102
212BF-1.0-140/215	1000	140-215	1000	12.4	0925201
212BF-1.0-215/300	1000	215-300	1000	12.4	0925202
212BF-2.0-150/230	2000	150-230	1100	18.1	0925301
212BF-2.0-230/300	2000	230-300	1100	18.1	0925302
212BF-3.0-160/230	3000	160-230	1300	30.3	0925401
212BF-3.0-230/300	3000	230-300	1300	30.3	0925402
212BF-5.0-180/230	5000	180-230	1500	46.5	0925501
212BF-5.0-230/300	5000	230-300	1500	46.5	0925502

Type	A (mm)	B (mm)	C (mm)	D (mm)	E (mm)	F (mm)	G (mm)	H (mm)	J (mm)	K (mm)	L (mm)	S (mm)
212-0.5-50/135	205	198	150	55	30	1.5~3	28	8	111	28	239	27
212-1.0-55/140	242	211	174	68	30	1.5~3	32	10	118	32	254	28
212-2.0-65/155	270	238	194	80	49	1.5~3	40	12	147	36	277	27
212-3.0-90/160	325	246	234	100	60	1.5~3	49	14	177	44	287	29
212-5.0-90/180	370	280	267	110	79	1.5~3	59	16	219	55	320	29
212BF-0.5-130/215	205	278	150	55	30	1.5~3	28	8	111	28	239	27
212BF-0.5-215/300	205	363	150	55	30	1.5~3	28	8	111	28	239	27
212BF-1.0-140/215	242	286	174	68	30	1.5~3	32	10	118	32	254	28
212BF-1.0-215/300	242	371	174	68	30	1.5~3	32	10	118	32	254	28
212BF-2.0-150/230	270	313	194	80	49	1.5~3	40	12	147	36	277	27
212BF-2.0-230/300	270	383	194	80	49	1.5~3	40	12	147	36	277	27
212BF-3.0-160/230	325	316	234	100	60	1.5~3	49	14	177	44	287	29
212BF-3.0-230/300	325	386	234	100	60	1.5~3	49	14	177	44	287	29
212BF-5.0-180/230	370	330	267	110	79	1.5~3	59	16	219	55	320	29
212BF-5.0-230/300	370	400	267	110	79	1.5~3	59	16	219	55	320	29

SELECT 30S adjustable trolley



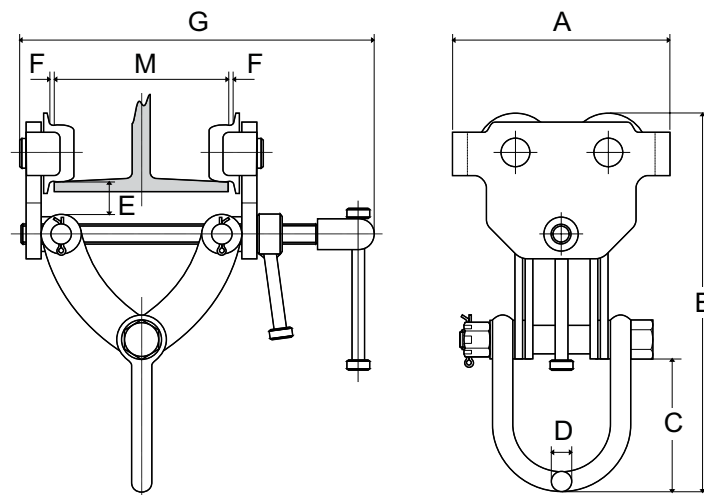
The Rema Select 30 S spindle push trolley is suitable for various steel profiles. They are simple, quick and safe to install, ideal for assembly work.

Properties

- Suitable for flat or bevel profiles.
- Equipped with solid steel wheels with maintenance-free bearings.
- Compact and light weight.
- Quick assembly through threaded adjusting bar.
- Safe by extra locking lever.
- With wheel rupture supports.
- Robust steel version with a low own weight.

Norm:

- EN12100-1/2, EN13157



Type	WLL (kg)	Flange width (mm)	Min. radius (mm)	A (mm)	Bmin (mm)	Bmax (mm)	C (mm)	D (mm)	E (mm)	G (mm)	Weight (kg)	ProductId
S30S 005	500	64 - 203	1100	174	263	324	105	16	25.4	340	6	0918001
S30S 010	1000	63 - 203	1100	174	263	324	105	16	25.4	340	7	0918003
S30S 020	2000	76 - 203	1300	280	339	387	111	22	25.4	340	20	0918005
S30S 030	3000	76 - 203	1400	345	374	438	127	27	26	345	32	0918007
S30S 050	5000	100 - 305	1500	395	450	528	135	35	81	465	53	0918009

REMA RMBT spindle beam trolley



RMBT-2T



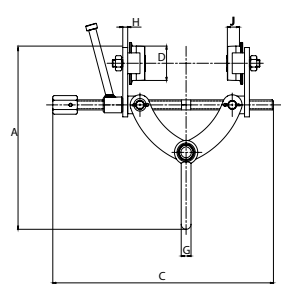
RMBT-3T / RMBT-10T

Properties

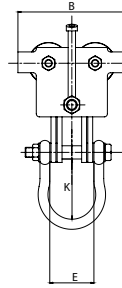
- Suitable for flat or bevel profiles.
- Equipped with solid steel wheels with maintenance-free bearings.
- Compact and lightweight.
- Quick assembly through threaded adjusting bar.
- Safe by locking lever.
- With wheel rupture supports.

Norm:

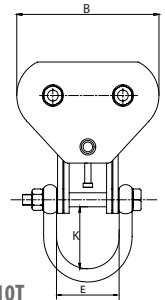
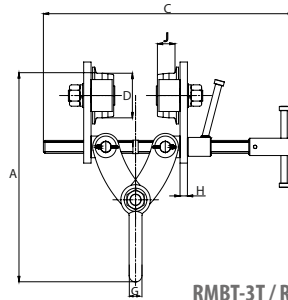
- EN12100-1/2, EN13157



RMBT-2T



RMBT-3T / RMBT-10T



Weight
RMBT-2T
7 kg

Type	WLL (kg)	Jaw opening (mm)	A (mm)	B (mm)	C (mm)	D (mm)	E (mm)	G (mm)	H (mm)	J (mm)	K (mm)	Weight (kg)	ProductId
RMBT-2T	2000	76-203	272	176	360	54.5	72	16	8	21	95	7	0940002
RMBT-3T	3000	76-203	381	270	475	82.5	118.5	25.5	14	33	113	25	0940003
RMBT-6T	6000	105-305	429	356	560	125	116	26	16	34	100	52	0940006
RMBT-10T	10.000	160-305	541	430	630	145	119	32	16	41	110	74	0940010

REMA RMSLT self locking beam trolley



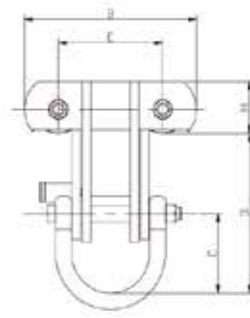
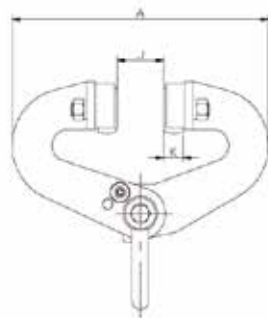
Simple and quick assembly by folding the self-closing trolley close to the flange of the beam.

Properties

- Suitable for flat or bevel profiles.
- Equipped with steel wheels with maintenance-free bearings.
- Compact and lightweight.
- With wheel rupture supports.

Norm:

- EN12100-1/2, EN13157

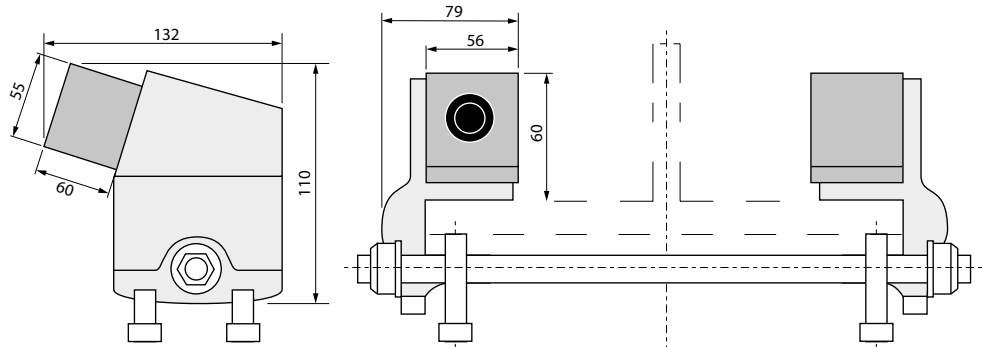


Type	WLL (kg)	Jaw opening (mm)	A (mm)	B (mm)	C (mm)	D (mm)	E (mm)	H (mm)	J (mm)	K (mm)	Weight (kg)	ProductId
RMSLT-3T	3000	76-230	380	280	126	253	170	82	25	32	21	0942003
RMSLT-6T	6000	100-305	500	296	126	290	170	88	30	38	32	0942006
RMSLT-10T	10.000	120-305	600	310	131	290	170	113	44	43	54	0942010

REMA beam end buffers



REMA adjustable buffers are applied to a monorail I / H profile track with a flat flange as an addition to your trolley-hoist system.
KB1 = Yellow coated.

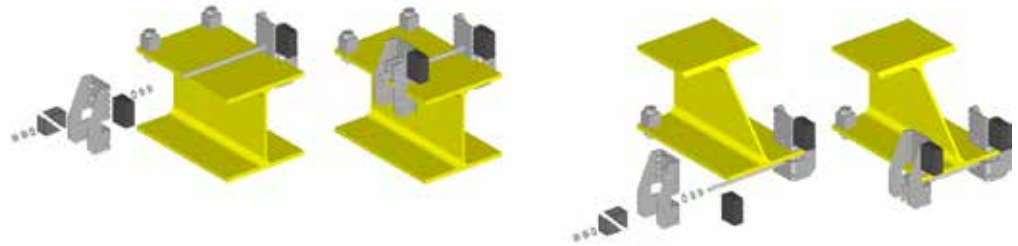


Type	Flange width (mm)	Wheel diameter (mm)	Maximum flange thickness (mm)	Weight (kg)	ProductId
KB1	80-300	60-160	25	3.4	4468000

REMA beam end buffers galvanised



REMA adjustable buffers are applied to a monorail I / H profile track with a flat flange as an addition to your trolley-hoist system.
KB2 galvanised.



Type	Flange width (mm)	Wheel diameter (mm)	Maximum flange thickness (mm)	Weight (kg)	ProductId
KB2	82-300	60-160	7-25	2.5	4468300

5

Electric trolley's for Elephant

46

REMA SR trolley

48



Elephant MAS electric trolleys



This trolley is only available in combination with an elephant FAH / FBH electric hoist 400V.

Properties

- Single axle design.
- 1 driving speed.
- Wheel rupture supports and tilting protection provides extra safety.
- Including 24V push-button box with emergency stop.
- Simple plug connection.

Technical properties

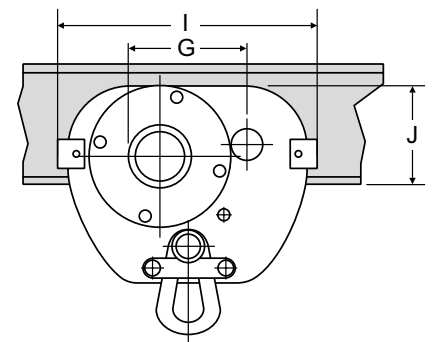
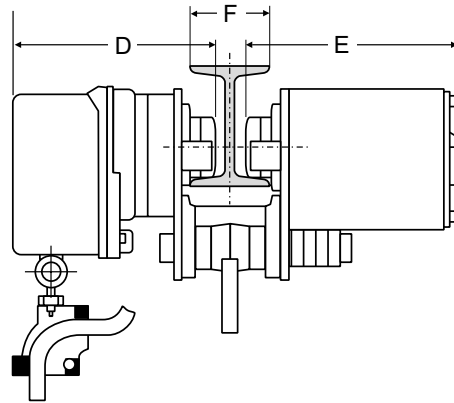
- Driving speed 10 m/min
- Operation voltage 400V
- Control voltage 24V
- Protection class IP54
- Duty cycle 120 sch/h 30%
- Isolation class E
- Motor power 0.4 kW

IMPORTANT:

- Always specify flange width in mm.

Norm:

- EN12100-1/2, EN13157



Type	WLL (kg)	D (mm)	E (mm)	F (mm)	G (mm)	I (mm)	J (mm)	Min. radius (mm)	Weight (kg)	ProductId
MAS-0.5	500	228	248	75-300	120	242	102	1100	31	0920001
MAS-1.0	1000	228	248	75-300	120	242	102	1100	31	0920003
MAS-2.0	2000	245	265	100-300	148	288	120	1500	40	0920005
MAS-3.0	3000	234	318	100-300	117	310	154	1500	64	0920007

EEFS electric trolley 2 speed



EEFS 1-axle trolleys can ideally be combined with any electric chain hoist.

Properties

- Single axle design.
- 2 speeds 5/20 m/min.
- Anti-drop and tilting protection provides extra safety.
- Push-button box not included.

Technical properties

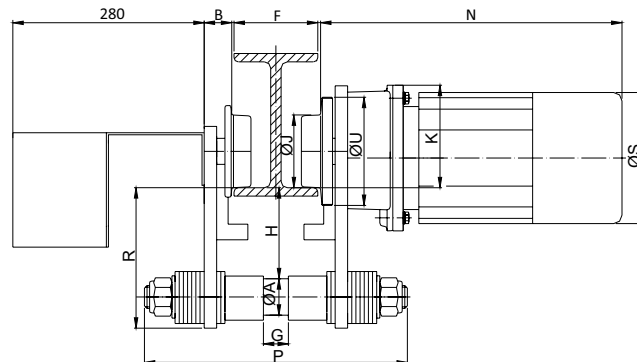
- Driving speed 5/20 m/min
- Operation voltage 400V
- Control voltage 24V
- Protection class IP54
- Duty cycle 120 sch/h 40%
- Isolation class F
- Motor power 0.04/0.18 kW

IMPORTANT:

- Always specify flange width in mm.

Norm:

- EN12100-1/2, EN13157, EN14492.2



Type	WLL (kg)	Flange width (mm)	A (mm)	B (mm)	F (mm)	G (mm)	H (mm)	J (mm)	K (mm)	N (mm)	R (mm)	S (mm)	U (mm)	Min. radius (mm)	Weight (kg)	ProductId
EEFS10	1000	66-300	28 / 32 / 35	26,5	66-300	24	71	70	122	356	109	140	104	1000	22	0821001
EEFS20	2000	66-300	35 / 40 / 45	26,5	66-300	24	87,5	70	122	356	135	140	104	1500	25	0821003
EEFS32	3200	82-300	45 / 50 / 55	28	82-300	32	93	103	122	356	156	140	141	2000	40	0821005

HFN push trolley



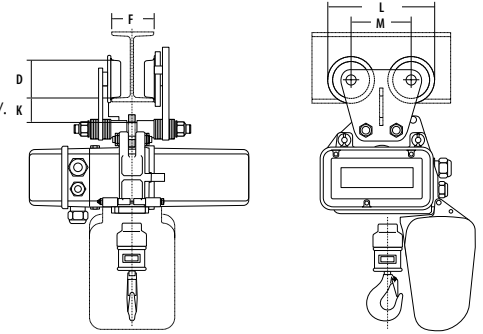
REMA HFN trolleys can only be assembled together with the REMA SR electric chain hoists.

Properties

- Double axle design.
- Anti-drop and tilting protection provides extra safety.
- Equipped with steel machined wheels.
- Assembly and suspension plates not included.

Norm:

- EN12100-1/2, EN13157



Allways mention the right flange width in mm.

Type	WLL (kg)	D (mm)	F (mm)	K (mm)	L (mm)	M (mm)	Weight (kg)	ProductId
HFN500	500	70	50-300	33	200	112	8	0814001
HFN2000	2000	70	66-300	35	200	112	10	0814003
HFN3200	3200	103	82-300	35	288.5	152.5	22	0814005
HFN6300	6300	122	90-310	36	351	191	47	0814007

EFS electric trolley



REMA EFS trolley can only be delivered in combination with REMA SR 400/24V electric chain hoist.

Properties

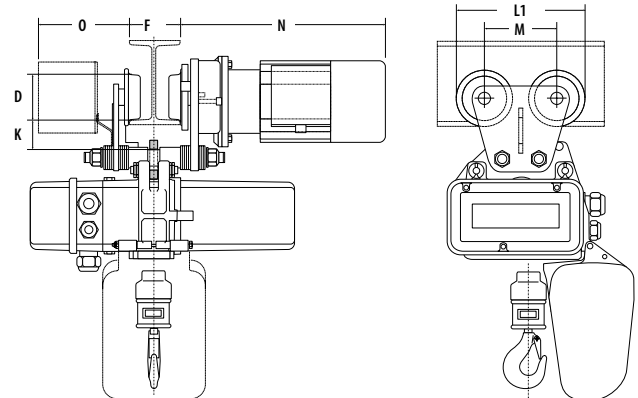
- 400 V, 3 phase, 50 Hz Double-pin design.
- Double axle design.
- 1 or 2 travel speeds.
- Anti-drop and tilting protection provides extra safety.
- 24 V control and pendant control not included.
- Assembly and suspension plates not included.

Tecnical properties

- Operation voltage 400V
- Protection class IP54
- Isolation class F

Norm:

- EN12100-1/2, EN13157, EN14492.2



Allways mention the right flange width in mm.

Type	WLL (kg)	Speed (m/min)	D (mm)	F (mm)	K (mm)	L1 (mm)	M (mm)	N (mm)	O (mm)	Min. radius (mm)	Motor (kW)	Weight (kg)	ProductId
EFS500-16	500	16	70	50-300	33	216	112	220	142	1000	0.12	17	0817001
EFS2000-16	2000	16	70	66-300	38	216	112	220	146	1500	0.12	17	0817005
EFS500-5/20	500	5/20	70	50-300	33	216	112	292	280	1000	0.04/0.18	19	0818001
EFS2000-5/20	2000	5/20	70	66-300	35	216	112	292	280	1500	0.04/0.18	18	0818005
EFS3200	3200	5/20	103	82-300	38	293.5	152.5	385	280	1500	0.04/0.18	34	0818007
EFS6300	6300	4/16	122	90-310	38	293.5	152.5	409	280	2000	0.06/0.25	63	0818009
EFS12500	12500	4/16	150	140-310	38	351	191	409	280	2500	0.12/0.55	150	0818011



WARNING
NEVER USE ONE-LINE CIRCUIT.
SEE DIAGRAM ABOVE FOR CORRECT
CIRCUIT CONNECTIONS.
NEVER USE ONE-LINE CIRCUIT.
NEVER USE ONE-LINE CIRCUIT.

Wireless remote control



L4-L6



L6B



TM-70/1-13



HYBRIDE

With a Rema radio remote system you are assured of a user-friendly, flexible and above all safe ergonomic remote control. Can be used with existing or new supply machines.

Properties

- Working range of 100 meters open area.
- LED display transmitter in operation.
- Functions hoisting / traveling / crane driving, 1 or 2 speeds.
- Transmitters are equipped with an emergency stop class 3.
- Adjustable frequencies (TM-70- 433/870/915 Mhz).
- Ambient temperature -20 ° C to + 65 ° C.

Standard delivery

- 1 hand transmitter with cord L-series.
- 1 receiver 24 VAC or 230 VAC.
- L-series including non-rechargeable batteries type AA.
- TM-70 including charger and battery.

Option

- Control multiple hoists with one hand transmitter (TM70).
- Crane driving.
- Other voltages on request.
- Assembly support plate.

Type	Function	Number of speed	Dimension of receiver L x B x D (mm)	Dimension of transmitter L x B x D (mm)	Protection class IP	Current (VAC)	Weight (kg)	ProductId
I-HYBRIDE	up/down/left/right	2	151 x 129 x 61	160 x 75 x 45	65	24	0,64	0725300
TM-70/1.13	up/down/left/right/crane drive	2	285 x 200 x 110	215 x 70 x 52	65	24	0,46	0725500
1-L4	up/down	1	161 x 74 x 52	163 x 49 x 45	65	24	0,155	0725700
1-L6	up/down/left/right	1	161 x 74 x 52	163 x 49 x 45	65	24	0,155	0725702
1-L6B	up/down/left/right	2	167 x 154 x 88	163 x 49 x 45	65	24	0,28	0725706



Pneumatic Chain hoist



K-type



DK-type

The REMA pneumatic chain hoists are used in the offshore, shipping, petrochemical industry, paper industry.

Properties

- Air pressure 6 Bar.
- Air hose Ø12 mm at <10 m length, Ø20 mm at >10 m length.
- Brake that holds the load at any desired height.
- Load chain Class DAT (Grade 8).

Standard delivery

- 3 m lifting height (maximum distance between top and bottom hook).
- 2 m operation (cord **(K)** or push buttons **(DK)**).
- Chain bag for 3 m lifting height.
- Limit switch highest / lowest hook position.
- Exclusive trolley.

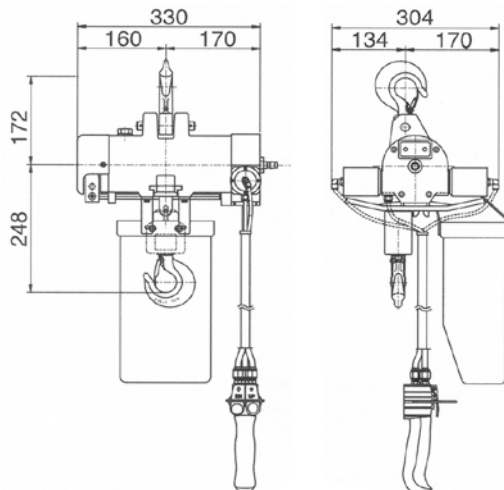
Option

- Other hoisting height and operating height is also possible.
- Larger chain bag.
- Oil filter / lubricator.
- Overload protection 500 kg.
- Push trolleys.
- Other capacities and versions on request.

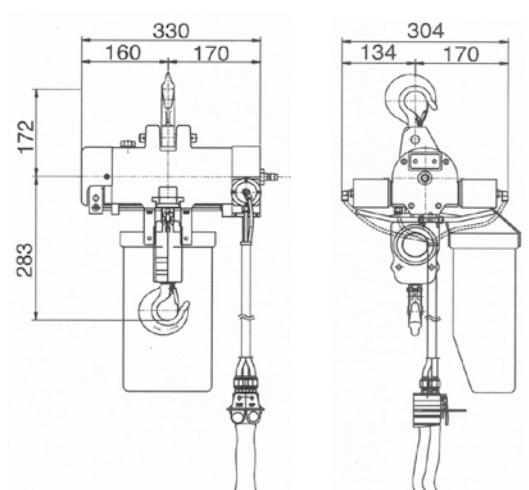
Norm:

- EN12100-1/2, EN14492-2, EN818-7

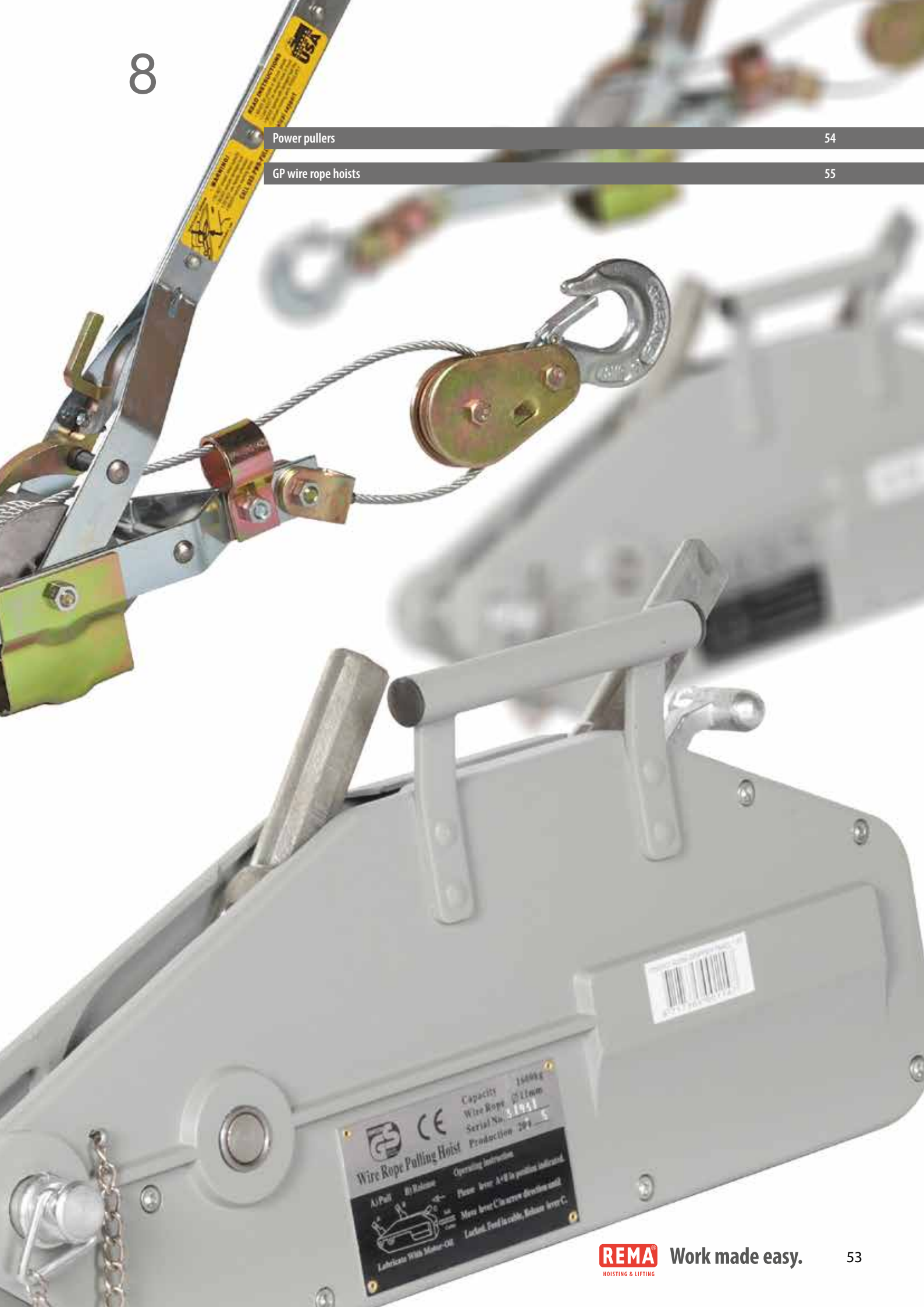
KA1S-025DK / KA1S-050DK



KA1S-100DK



Type	WLL (kg)	Lifting speed with load (m/min)	lifting speed without load (m/min)	Number of falls	Load chain (mm)	Air consumption (ltr/sec)	Weight (kg)	ProductId
KA1S-025K	250	18.0	23.0	1	6.3 x 19.0	27	23	0701001
KA1S-050K	500	12.0	19.0	1	6.3 x 19.0	27	23	0701003
KA1S-100K	1000	6.0	9.5	2	6.3 x 19.0	27	33	0701005
KA1S-025DK	250	18.0	23.0	1	6.3 x 19.0	27	23	0701101
KA1S-050DK	500	12.0	19.0	1	6.3 x 19.0	27	23	0701103
KA1S-100DK	1000	6.0	9.5	2	6.3 x 19.0	27	33	0701105



  Capacity 1500kg
Wire Rope 11mm
Serial No. 31931
Production 2015

Wire Rope Pulling Hoist

Operating instruction
A) Pull B) Release
Please: Press A+B in position indicated.
Press lever C in arrow direction and
Latched. Feed in cable, Release lever C.

Lubricate With Motor-Oil

MD Power Puller

NOT FOR LIFTING



Lightweight POWER PULLER. With many applications when it comes to pulling, lashing and tensioning.

Properties

- Safety factor 4.
- Hooks equipped with safety latches.
- Anti-slip safety handle.
- Safe workload only with horizontal use.

Option

- 0310012 Wire pulling chain.
- 0310014 Barbed wire puller.



0310012



0310014

Type	WLL (kg)	Tension range (m)	Cable diameter (mm)	Weight (kg)	ProductId
MD-144 S	450	3.66	4.76	3.6	0310001
MD-144 SB	750	1.83	4.76	4.1	0310003

MDWS Band Puller

NOT FOR LIFTING



The flexible belt prevents damage to the material and controls the load.

Properties

- Safety factor 4.
- Hooks equipped with safety latches.
- Anti-slip safety handle.
- Non-conducting properties.
- Safe workload only with horizontal use.

Type	WLL (kg)	Tension range (m)	Webbing width (mm)	Webbing length (m)	Weight (kg)	ProductId
MDWS-1	225	3.5	25	3.66	3.3	0310005
MDWS-2	450	1.73	25	3.66	3.8	0310007
MDWS-25	225	3.05	25	7.62	3.5	0310009

MDA Rope puller

NOT FOR LIFTING



Lightweight and extremely robust POWER PULLER. Ideally suited for assembly work. With many application possibilities when it comes to pulling, lashing and tensioning.

Properties

- Safety factor 4.
- Hooks equipped with safety latches.
- Anti-slip safety handle.
- Non-conducting properties.
- Safe workload only with horizontal use.

Option

- Rope.

Type	WLL (kg)	Cable diameter (mm)	Weight (kg)	ProductId
MDA-0	350	12.7	3.2	0310011

IMPORTANT!

Before use, check steel wire rope, belt or rope for damages.
Before use, check that the hooks are not bent out and the safety latches are still attached.
Never extend the handle with a pipe for more power.
NOT FOR LIFTING.

Gripper wire rope hoist



The REMA Gripper is a very robust wire rope hoist that can be used vertically, horizontally or at other angles, with a capacity of 800 kg, 1600 kg and 3200 kg. The shear pin and lever are reliable indicators for overloading.

Properties:

- Precise operation.
- Virtually maintenance free.
- The house is made of cast aluminum with a low own weight.
- The safety pin breaks at approximately 25% overload.
- The handle bends at about 50% overload.
- The safety pin (s) can be replaced under load.
- Spare safety pins are located in the carrying handle or in the operating handle (GP-0,8).

Standard delivery

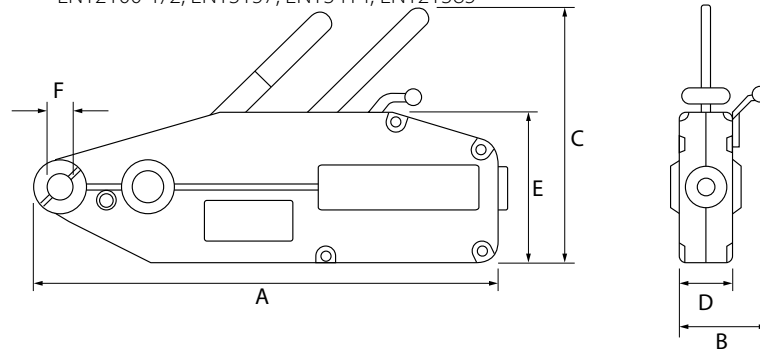
- Excluding wire rope.

Option

- Steel wire rope, standard length is 20 meters.

Norm:

- EN12100-1/2, EN13157, EN13414, EN121385



IMPORTANT:

Before use, check that the safety pins are in good condition. If the safety pin is broken, replace it.

Before use, check that the steel cable is not damaged.

Before use, check that the steel cable has been correctly inserted through both clamping jaws.

Never use a longer lever or make the lever longer than the original one.

Type	WLL (kg)	Hand force max. (kg)	Lever length (mm)	Lifting height at 1 lever movement (mm)	Cable diameter (mm)	Weight (kg)	ProductId
GP-0.8	800	28	740	52	8.3	6.1	0350001
GP-1.6	1600	41	1120	55	11.0	11.9	0350003
GP-3.2	3200	44	1120	28	16.1	21.1	0350005

Type	A (mm)	B (mm)	C (mm)	D (mm)	E (mm)	F (mm)
GP-0.8	425	65	230	59	170	22.0
GP-1.6	545	95	270	72	190	24.5
GP-3.2	660	116	325	94	220	29.5

GP-wire rope set



REMA wire rope set for GP wire rope hoist are according NEN 10204.

Properties

- One side with hook included safety latch, one side pointed.

Standard delivery:

- Wire rope length 20 m.

Option

- Longer length on request.

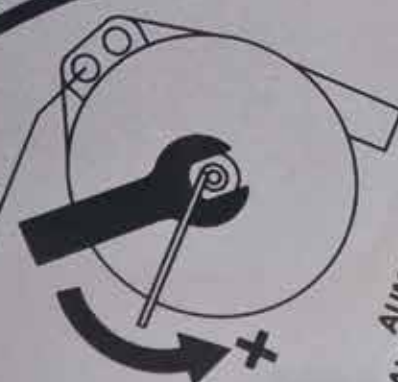
Norm:

- EN13414, EN12385, NEN10204

Type	WLL (kg)	Cable diameter (mm)	Length (m)	ProductId
GP-STD8.3mm-20m	800	8.3	20	0354001
GP-STD11mm-20m	1600	11.0	20	0355001
GP-STD16.1mm-20m	3200	16.1	20	0356001



SOSPENSIONE
SUSPENSION
AUFHÄNGUNG



AUMENTAZIONE
ERHÖHUNG
AUGMENTATION
ERHÖHUNG

MADE IN ITALY



CE



DIMINUISCE
REDUCTION
VERMINDERUNG

TECNA
Via GRIECO 25/27
40124 CASTEL S.PIETRO T.
BOLOGNA - ITALY

ANNO YEAR
ANNÉE JAHR

01 0001205 N°

PORTATA CAPACITY
CAPACITÉ TRAGLEISTUNG
CORSO STROKE
COURSE AUSZUG
PESO NETTO NET WEIGHT
POIDS NETTO NETTO, GEWICHT

ART. ITEM	9336
CAPACITY	2 - 4 Kg
STROKE	2500 mm
NET WEIGHT	3.10 Kg



Work made easy.

Tool balancer, light-weight design



With the help of the REMA spring balancers, electric and pneumatic tools can be operated with minimal weight and positioned at the correct height.

Properties

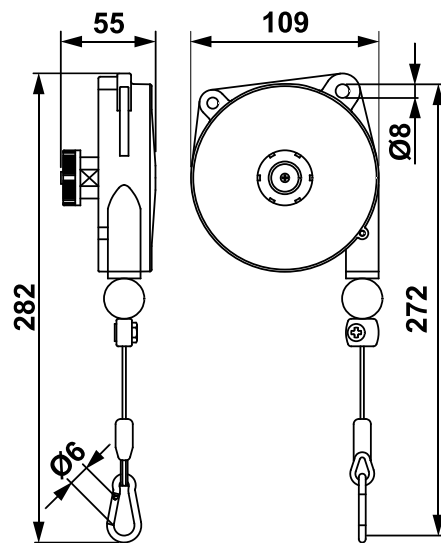
- Aluminum body.
- Specially designed coil spring ensures a low-noise run.
- Adjustable load capacity (button).
- Carabiner attached.
- Extra safety suspension, for safety chain.
- Flexible stainless steel cable.
- Resistance-free and wear-resistant cable guide.
- Adjustable cable length.
- Insulated suspension system.
- Fixation at a point.

Applications

- For working with small pneumatic and electric drills, screwdrivers, measuring instruments etc.

Norm:

- EN12100-1/2, DIN-EN15112



Type	WLL (kg)	Length (m)	Weight (kg)	ProductId
9311	0.4-1.0	1.6	0.6	0629311
9312	1.0-2.0	1.6	0.6	0629312
9313	2.0-3.0	1.6	0.7	0629313

Tool balancer, medium-weight design



With the help of the REMA spring balancers, electric and pneumatic tools can be operated with minimal weight and positioned at the correct height.

Properties

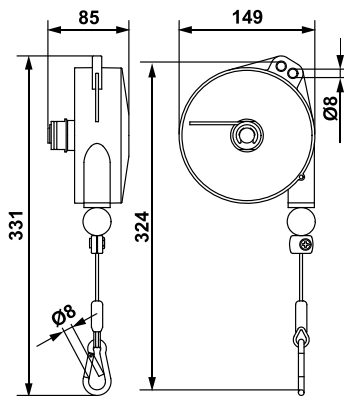
- Aluminum body.
- Specially designed coil spring ensures a low-noise run.
- Adjustable load capacity (button).
- Carabiner attached.
- Extra safety suspension, for safety chain.
- Flexible stainless steel cable.
- Resistance-free and wear-resistant cable guide.
- Adjustable cable length.
- Insulated suspension system.
- Adjustable load capacity by a handle.
- Spring break device; excluding 9320.
- Type 9320 till 9340 fixation at 1 point.

Applications

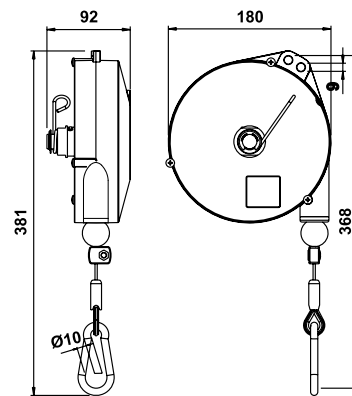
- For working with grinders, staplers, drills etc.

Norm:

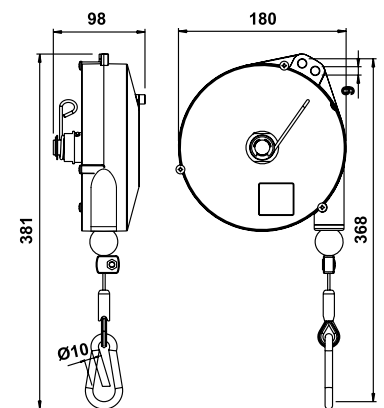
- EN12100-1/2, DIN-EN15112



9320-9323



9336-9340



9346-9350

Type	WLL (kg)	Length (m)	Weight (kg)	ProductId
9320	1.0- 2.5	2.0	2	0629320
9321	2.0- 4.0	2.0	2	0629321
9322	4.0- 6.0	2.0	2.3	0629322
9323	6.0- 8.0	2.0	2.5	0629323
9336	2.0- 4.0	2.5	2.9	0629336
9337	4.0- 6.0	2.5	3.2	0629337
9338	6.0- 8.0	2.5	3.5	0629338
9339	8.0-10.0	2.5	3.7	0629339
9340	10.0-14.0	2.5	4	0629340
9346*	2.0- 4.0	2.5	3	0629346
9347*	4.0- 6.0	2.5	3.3	0629347
9348*	6.0- 8.0	2.5	3.6	0629348
9349*	8.0-10.0	2.5	3.8	0629349
9350*	10.0-14.0	2.5	4.1	0629350

* Type 9346 up to and including 9350 fixation at several points by a small movement of the load.

Tool balancer, heavy-weight design



With the help of the REMA spring balancers, electric and pneumatic tools can be operated with minimal weight and positioned at the correct height.

Properties

- Aluminum body.
- Specially designed coil spring ensures a low-noise run.
- Adjustable load capacity (button).
- Carabiner attached.
- Extra safety suspension, for safety chain.
- Flexible stainless steel cable.
- Resistance-free and wear-resistant cable guide.
- Adjustable cable length.
- Insulated suspension system.
- Fixation at a point.
- Bearing conical drum, ensuring constant tension.
- Adjustable capacity through a screw.
- Fixation of the desired cable length in several places by separate remote control.
- Rotatable top hook with safety latch.

Applications

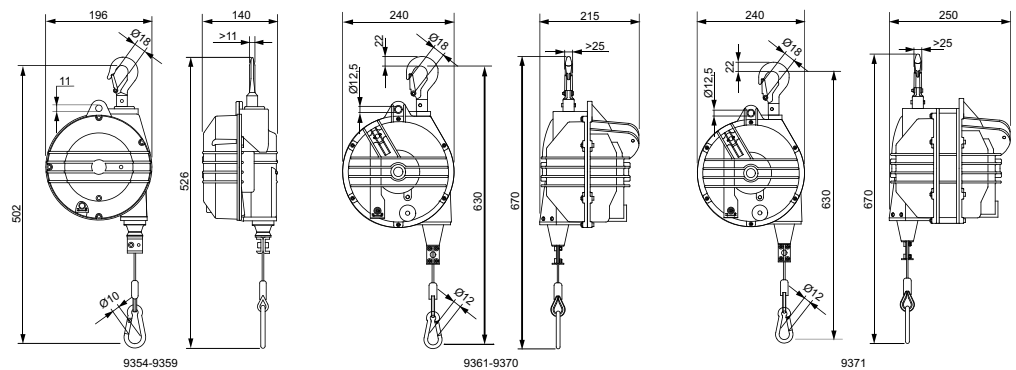
- For working with heavy electric and pneumatic tools, measuring equipment etc.

On request:

- Various spring balancers are also available in ATEX version. Ex II 2 GdC IIT 85 ° (T 6).

Norm:

- EN12100-1/2, DIN-EN15112



Type	WLL (kg)	Length (m)	Weight (kg)	ProductId
9354	4.0-7.0	2.0	5	0629354
9355	7.0-10.0	2.0	5.5	0629355
9356	10.0-14.0	2.0	5.5	0629356
9357	14.0- 18.0	2.0	6.5	0629357
9358	18.0- 22.0	2.0	6	0629358
9359	22.0- 25.0	2.0	6.6	0629359
9361*	10.0-15.0	2.0	10.3	0629361
9362*	15.0- 20.0	2.0	10.6	0629362
9363*	20.0- 25.0	2.0	11.2	0629363
9364*	25.0- 30.0	2.0	11.5	0629364
9365*	30.0- 35.0	2.0	11.8	0629365
9366*	35.0- 45.0	2.0	12.4	0629366
9367*	45.0- 55.0	2.0	12.5	0629367
9368*	55.0- 65.0	2.0	13.6	0629368
9369*	65.0- 75.0	2.0	14.5	0629369
9370*	75.0- 90.0	2.0	17.3	0629370
9371*	90.0-105.0	2.0	18	0629371

* Blocking device; the spring can be tensioned at any height, after mounting the tool.

Dynamometer DSD04	62
Dynamometer DSD05	64
Mechanical crane scale	67



Dynamometer 04



Includes plastic case, manual and calibration report.

Mechanical properties

- Anodized aluminum house.
- Protection class IP 65.
- Overload indication at 10% overload.
- Test load 2 x WLL.
- Safety factor 5 x WLL.

Electrical specifications

- Alkaline battery (9V type).
- Battery operating time about 100 hours.

Electronic specifications

- LCD display with 5 positions, digit height 17 mm.
- Operating temperature range between -10° C to + 55° C.
- Accuracy up to approx 0.15% of the reading value.

Functions

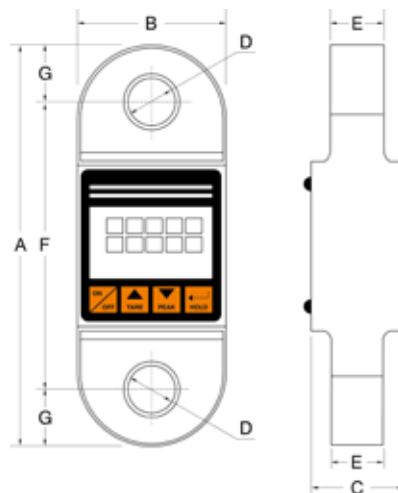
- Automatic resetting when switched on.
- Easy-to-use menu: ON/OFF, tare, peak value and hold buttons.
- Self-calibrating at zero and weight values.
- Readout possibilities: gross, net and tare weight.
- In peak value function, maximum weight is held.
- In hold function, current weight is held.
- Measuring unit selection (kg - t - ton - lbs - daN - kN).
- Automatic power supply OFF.

Option

- Bow shackle from 10T.

Norm:

- EN12100-1/2, EMC2004/108/EG, EN13155, EN13889



Type	WLL (kg)	Resolutie (kg)	A (mm)	B (mm)	C (mm)	D (mm)	E (mm)	F (mm)	G (mm)	Bow shackle (t)	Weight (kg)	ProductId
DSD04-1.25	1250	0,5	192	85	54	15	16	142	25	1,50 in.	1.15	1508000
DSD04-2.5	2500	1	218	85	54	21	25	160	28	3,25 in.	1.35	1508001
DSD04-5.0	5000	2	230	85	54	27	32	165	32.5	6.50 in.	1.85	1508003
DSD04-10.0	10000	5	315	100	59	38	49	200	57.5	12.00 ex.	3.60	1508005
DSD04-20.0	20000	10	350	126	70	53	70	210	70	25.00 ex.	5.50	1508007

Dynamometer 04 TX / RX with readable radio remote control



Includes plastic case, manual and calibration report.

Anodized aluminum house.

- Protection class IP 65.
- Overload indication at 10% overload.
- Test load 2 x WLL.
- Safety factor 5 x WLL.

Electrical specifications

- Rechargeable batteries including charger.
- Charger: Input 230 VAC, output 20 VDC.
- Battery operating time about 100 hours.

Electronic specifications

- LCD display with 5 positions, digit height 17 mm.
- Operating temperature between -10 °C and + 55 °C
- Accuracy up to approx. 0.15% of the reading value.

RX-PORT electrical specifications

- Alkaline batteries (3 x AA type).
- Stand time approx. 150 hours.
- Battery indicator.

RX-PORT electronic specifications

- LCD display with 5 positions, 12 mm digit height.
- 433.92 MHz frequency control.
- Operating temperature between -5 °C to + 55 °C.
- RS232 port for printer or PC connection (not all types of printers).



TX-LOAD electrical specifications

- Transmission range max 50 m.

TX-LOAD electronic specifications

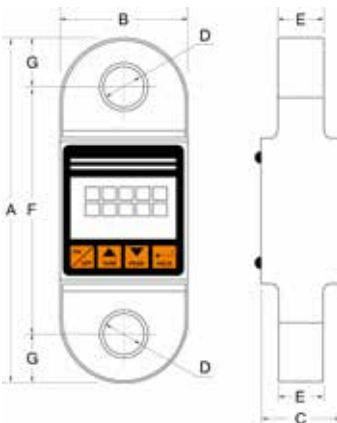
- 433.92 MHz frequency control.

Option

- Bow shackle from 10T.

Norm:

- EN12100-1/2, EMC2004/108/EG, EN13155, EN13889



Type	WLL (kg)	Resolutie (kg)	A (mm)	B (mm)	C (mm)	D (mm)	E (mm)	F (mm)	G (mm)	Bow shackle (t)	Weight (kg)	ProductId
DSD04-05TX/RX	5000	2	230	85	54	27	32	168	32.5	6.5 in.	1.85	1512003
DSD04-10TX/RX	10000	5	315	100	59	38	49	200	57.5	12 ex.	3.60	1512005
DSD04-25TX/RX	25000	10	350	126	70	53	70	210	70	25.00 ex.	5.50	1512009
DSD04-50TX/RX	50000	20	430	128	100	72	100	260	90	55.00 ex.	13.5	1512011

Dynamometer 05



Includes plastic case, manual and calibration report.

Mechanical properties

- Aluminum housing.
- Alloy steel pulling unit.
- Test load 2 x WLL (without losing accuracy).
- Safety factor 5 x WLL.
- International Protection Rating / Ingress Protection: IP65 (EN60529)

Electrical specifications

- Alkaline battery (3 x AA type).
- Battery operating time approx. 180 hours.

Electronic specifications

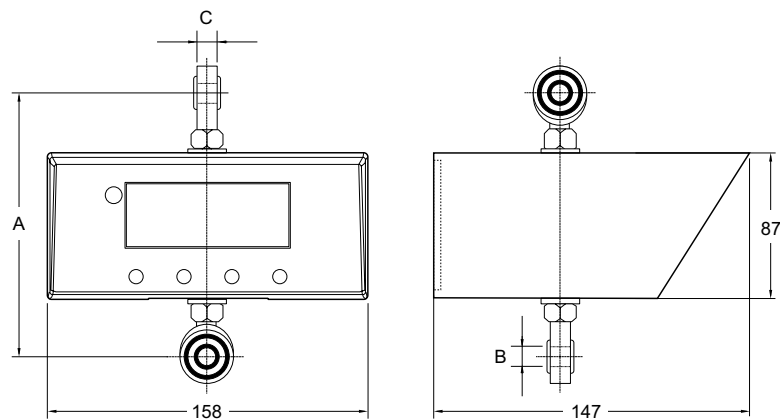
- Operating temperature between -5° C to + 55° C.
- Accuracy up to approx. 0.1% of the reading value.
- Battery indicator.

Option

- U-13 Unilock bow schackle (2635013).

Norm:

- EN12100-1/2, EMC2004/108/EG, EN13155, EN13889



Type	WLL (kg)	Resolutie (kg)	A (mm)	B (mm)	C (mm)	D (mm)	E (mm)	F (mm)	Bow shackle (t)	Weight (kg)	ProductId
DSD05-0.6T	600	0.2	170	16	21	-	-	-	U-13 ex.	2.68	1514001
DSD05-1.0T	1000	0.5	170	16	21	-	-	-	U-13 ex.	2.68	1514003

Dynamometer 05T with remote control for tare



Includes plastic case, manual and calibration report.

Mechanical properties

- Aluminum housing.
- Alloy steel pulling unit.
- Test load 2 x WLL (without losing accuracy).
- Safety factor 5 x WLL.
- International Protection Rating / Ingress Protection: IP65 (EN60529).

Electrical specifications

- Alkaline battery (3 x AA type).
- Battery operating time approx. 180 hours.

Electronic specifications

- Operating temperature between -5 °C to + 55 °C.
- Accuracy up to approx. 0.1% of the reading value.
- Battery indicator.

Standard delivery

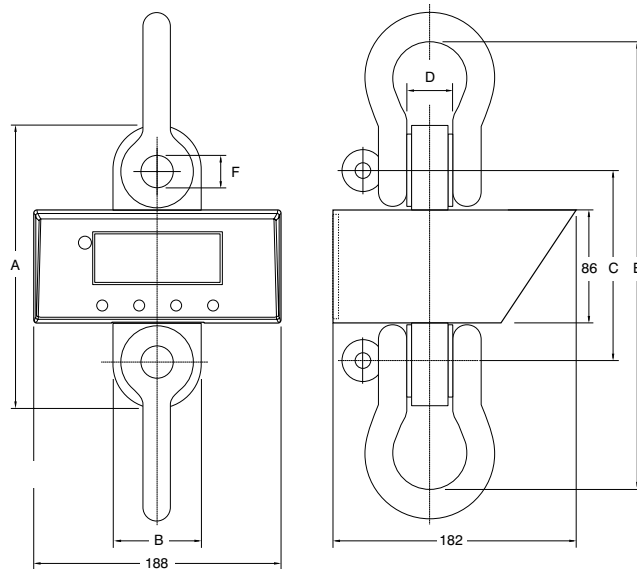
- Bow shackles (3,2T and 6,3T).
- Remote control to tare.

Option

- Bow shackle from 10T.

Norm:

- EN12100-1/2, EMC2004/108/EG, EN13155, EN13889



Type	WLL (kg)	Resolutie (kg)	A (mm)	B (mm)	C (mm)	D (mm)	E (mm)	F (mm)	Bow shackle (t)	Weight (kg)	ProductId
DSD05T-3.2T	3200	1	199	69	130	25	269	20	3.25 in.	4.2	1514005
DSD05T-6.3T	6300	2	213	69	144	35	348	26	6.5 in.	6.5	1514007
DSD05T-10.0T	10000	5	265	100	181	50	455	36	12 ex.	10.5	1514009

Dynamometer 05TX/RX with RX hand read receiver



Includes plastic case, manual and calibration report.

Mechanical properties

- Aluminum housing.
- Alloy steel pulling unit.
- Test load 2 x WLL (without derailment of tensile force unit).
- Safety factor 5 x WLL.
- International Protection Rating / Ingress Protection: IP65 (EN60529).

Electrical specifications

- Alkaline battery (3 x AA type).
- Battery operating time approx. 180 hours.

Electronic specifications

- Operating temperature between -5° C to + 55° C.
- Accuracy up to approx. 0.1% of the reading value.
- Battery indicator.

RX-PORT electrical specifications

- Alkaline batteries (3 x AA type).
- Stand time approx. 150 hours.
- Battery indicator.

RX-PORT electronic specifications

- LCD display with 5 positions, 12 mm digit height.
- 868 MHz frequency control.
- Operating temperature between -5 ° C to + 55 ° C.
- RS232 port for printer or PC connection.

TX-LOAD electrical specifications

- Transmission range max. 50m.

TX-LOAD electronic specifications

- 868 MHz frequency control.

Standard delivery

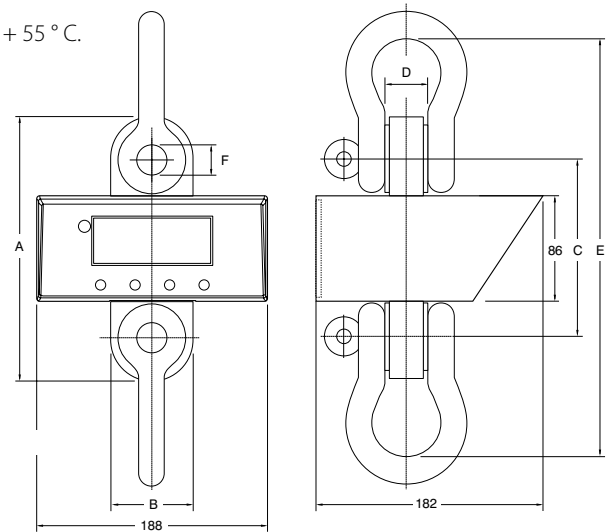
- Bow shackles.
- Remote control.

Option

- Bow shackle from 10T.

Norm:

- EN12100-1/2, EMC2004/108/EG, EN13155, EN13889



Type	WLL (kg)	Resolutie (kg)	A (mm)	B (mm)	C (mm)	D (mm)	E (mm)	F (mm)	Bow shackle (t)	Weight (kg)	ProductId
DSD05TX/RX-3.2T	3200	1	199	69	130	25	269	20	3.25 in.	4.7	1513005
DSD05TX/RX-6.3T	6300	2	213	69	144	35	348	26	6.5 in.	7.0	1513007
DSD05TX/RX-10.0T	10000	5	265	100	181	50	455	36	12 ex.	9.6	1513009

TEO Mechanical crane scale



**TEO-200 /
TEO-5000**

The REMA TEO mechanical crane scale with one suspension eye and hook with safety latch up to 5,000 kg and from 12,500 kg up to 85,000 kg with 2 eyes.

Properties

- Robust construction
- Maintenance-free hydrostatic principle
- Easy zero and tare adjustment
- Designed for continuous use
- Accuracy within +/- 1% of full scale
- Light weight – low height
- Strong acrylic glass covers the dial plate
- Large dial plate diameter 160 mm
- Temperature range -20 / +50 C (-4 / +122 F).

Options

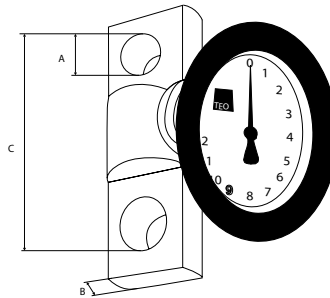
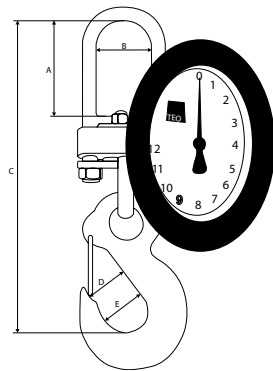
- Remote reading.
- Bow shackle.

Norm:

- EN12100-1/2, EN13155



**TEO-12.500/
TEO-85.000**



Type	WLL (kg)	Resolutie (kg)	A (mm)	B (mm)	C (mm)	D (mm)	E (mm)	Weight (kg)	ProductId
TEO-200	200	1	60	53	230	27	35	5	1550001
TEO-320	320	2	60	53	230	27	35	5	1550003
TEO-500	500	2	60	53	230	27	35	5	1550005
TEO-750	750	5	60	53	230	27	35	5	1550007
TEO-1250	1.250	5	60	53	230	27	35	5	1550009
TEO-2000	2.000	10	60	53	230	27	35	5	1550011
TEO-3200	3.200	20	75	53	280	34	46	5.5	1550013
TEO-5000	5.000	20	75	53	300	42	56	6.5	1550015
TEO-12.500	12.500	50	40	41	213	-	-	8.1	1550017
TEO-25.000	25.000	100	55	42	267	-	-	12.9	1550019
TEO-50.000	50.000	200	75	56	329	-	-	25	1550021
TEO-85.000	85.000	500	85	60	390	-	-	60	1550023

Information about REMA cargo lashing	70
Load securing and coefficient of friction	71
Checklist for correct and safe lashing	72
Cargo lashing	74
Edge protectors/Anti-slip mats	77



Information about REMA cargo lashing

REMA cargo lashing are manufactured according to the European standard EN 12195-2. This standard specifies the LC (Lashing Capacity) in daN.

The primary requirements in the EN 12195-2 standard are:

- The hardware, i.e. the ratchet and hooks, must have a safety factor of at least to have 2x the LC value.
- The strap, unmodified, must have a safety factor of at least 3x the LC value.
- The entire lashing system must have a failure rating of at least twice the LC value.

Explanation of REMA lashing strap label

According to the EN 12195-2 standard, tension straps must be provided with a label with instructions shown on it. This label must be attached to both the ratchet part (the strap fabric that is attached to the ratchet) and the tension part of the tension strap. For polyester tension straps, the label must be blue.

The blue label that is attached to the tension strap contains certain fixed pieces of information:

1. LC1 = Lashing capacity (for tension in straight line)
2. LC2 = Lashing capacity (by strapping)
3. SHF = Standard Hand Force
4. STF = Standard Tension Force
5. Material type of the strap (as a rule PES, polyester)
6. Stretch percentage of the strap material (max. 7% permissible)
7. Length (of the ratchet part or the tension part; the example illustrates the ratchet part)
8. S/N = serial number (of the relevant lashing strap)
9. Warning: "not for lifting"
10. Name or logo of the manufacturer
11. EN 12195-2: all REMA cargo lashing are produced to the European Standard EN 12195-2
12. Production month/year

Option 1: Diagonal lashing

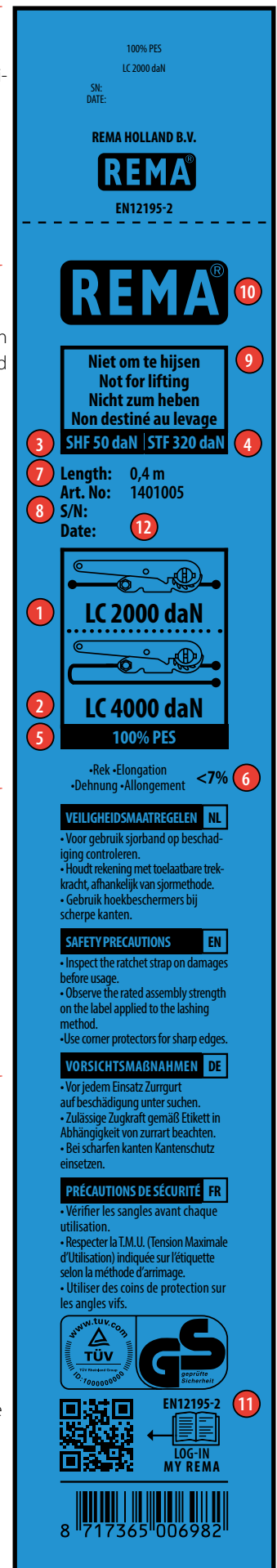
The LC value is important.

- The LC value is only important for diagonal lashing.
- With this securing method, at least four lashing systems must be used (Fig. 2).
- The LC value in combination with the vertical lashing angle and the horizontal angle β are important.
- The vertical lashing angle α between the load floor and the lashing system must be between 20° and 65° (Fig. 1).
- The horizontal lashing angle β between the long axis of the load and the lashing system must be between 6° and 55° (Fig. 2).

Option 2: Lashing down

The Stf value is crucial.

- The most common method of fixing down loads is lashing down; by this means, the load is 'pressed firmly' on to the load floor (Fig. 3).
- Important with this method of lashing down is the amount of force used for this, in other words how much tension can be build up in the lashing system.
- The LC (Lashing Capacity) plays no role in this, but the tensioning of the system is important; this is indicated on the blue REMA label of the lashing system by Stf in daN (Standard tension force).
- This Stf value is measured with an Shf (Standard hand force) of 50 daN.
- The Stf value must be between 10% and 50% of the LC value of the lashing system (it is mainly determined by the quality and type of the ratchet).
- When lashing down, at least two lashing systems must be used, and the angle α should be kept as large as possible (Fig. 3). Angle α must be between 35° and 90°.

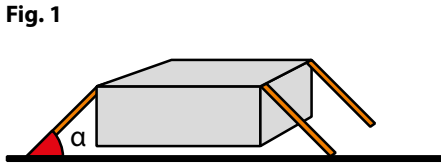


Load securing and coefficient of friction

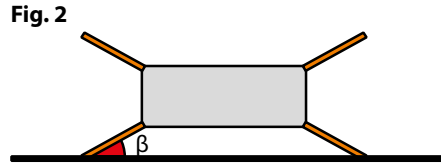
The way in which the load is secured - diagonal lashing or lashing down - determines whether the **LC (lashing capacity)** or the **Stf (standard tension force)** is important.

The coefficient of friction - between the load and load floor - and the angles α and β determine to a large extent the number of lashing systems to be used (this is explained in detail in EN 12195-1).

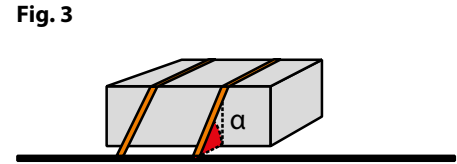
Vertical lashing angle α



Horizontal lashing angle β



Vertical lashing angle α



Increase the coefficient of friction with REMA anti-slip mats



Anti-slip mats (also called friction mats) are essential for proper load security. Anti-slip mats serve to increase the friction between the load unit and load carrier such that the load cannot shift any more. Proper use of an anti-slip mat and thus increasing the frictional resistance leads directly to the use of **less cargo lashing**.

REMA anti-slip mats
 - tested according to German VDI 2700 standard
 - coefficient of friction $\mu > 0.6$

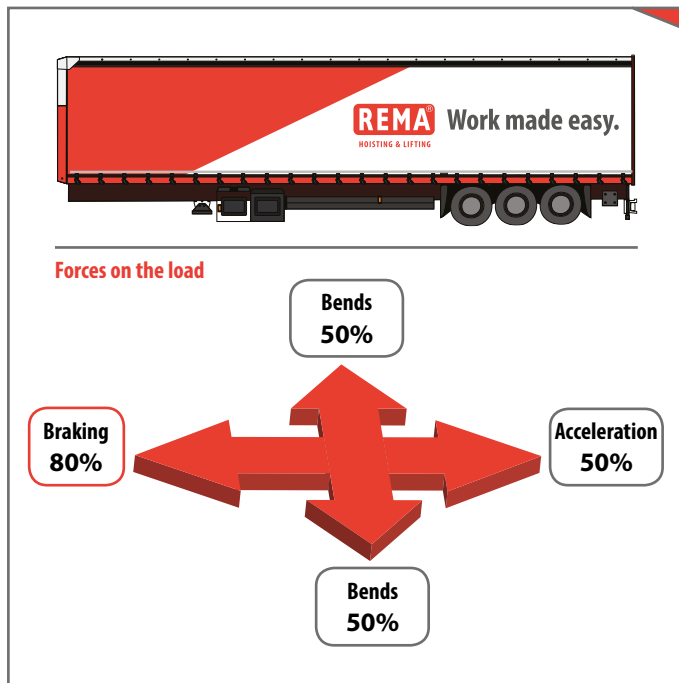


Indicative calculation for lashing down with REMA cargo lashing

A truck carries a load of 6000 kg. The centre of gravity is in the centre of the load. The load is lashed down with a lashing angle α of between 83 and 90 degrees (Fig. 3). By coefficient of friction is meant the friction between the load and the load floor.

The greatest forces arise during braking. During braking, 80% of the load wants to go forwards, while 50% of the load wants to break out to the right, left or backwards.

Coefficients of friction:
 metal to metal: $\mu = 0.2$
 metal to wood: $\mu = 0.4$
 rubber anti-slip mat: $\mu = 0.6$



Example 1: metal to metal

80% of 6000 kg	4800
0.2 (coefficient of friction) x 6000 kg	1200
Total force to take up	3600 daN

Divide 3600 daN by the tension force (Stf) of the lashing strap to give the number of cargo lashing. $3600 \div 320 = 11.25$ so **12** cargo lashing.

Example 2: with anti-slip mat

80% of 6000 kg	4800
0.6 (coefficient of friction) x 6000 kg	3600
Total force to take up	1200 daN

Divide 1200 daN by the tension force (Stf) of the lashing strap to give the number of cargo lashing. $1200 \div 320 = 3.75$ so **4** cargo lashing.

Correct and safe lashing of the load

The competent securing of a load must be learnt; it is more than simply putting a tension strap round the load. Standard securing is not a skill, because it is usually inadequate to be considered proper load fixation.

Simply to throw a tension strap around the load and tension it up is a very dangerous way to secure the load. We can teach you how to make this easier, safer and faster!

✓ CHECKLIST for correct and safe lashing of the load

Those responsible for the transport of loads on the public road are the owner of the truck or trailer, the loader/dispatcher and the driver.

- Has the driver been educated/trained for his work/job and does he possess the correct papers and documents?
- Is the truck or trailer suitable for the load and the public road? (owner)
- Is the load surface free of dirt, grease, oil, sand, ice, snow etc.?
- Has the order, distribution and way of loading been planned in the correct way by the responsible person? (dispatcher)
 - When using arrester equipment, pay attention to the maximum force this can take up (wooden beams, blocks, wedges etc.).
 - Determining centre of gravity of the load.
 - Avoid empty spaces in among the load.
 - Pay attention to the stability of the load.
 - Lash the load fast according to the EN standard.
- The weight of the load is below the maximum load weight of the truck and the loading requirements as defined by the truck or trailer manufacturer.
- Is the lashing gear attached to lashing points/eyes suitable for the purpose?
- Does the lashing gear including label meet the EN requirements? (LC capacity, producer, serial number etc.)
- Has the lashing gear been inspected annually by a person authorised to do so?
- Is the lashing gear protected against friction, wear and cutting by means of corner protectors?
- Are there extra resources available to secure the load, e.g. beams for filling in spaces?
- Is the lashing and/or lifting gear undamaged?
- Are there anti-slip mats present?
- Is the load secured such that acceleration, braking and sideways forces can be taken up?
- Is any load that extends outside the truck marked according to the rules?
- Has the driver assured himself that the load is secured according to the requirements, after every stop?
- Only use lashing equipment that meets EN standards.

✓ CHECKLIST according to European Standard EN 12195-2

- The inspected lashing strap must be put out of use if any of the points (**1 to 18**) cannot be ticked off.
- The lashing strap put out of service must be returned to the manufacturer for possible service/repair.
- If the lashing strap is not offered for service/repair, it must be destroyed such that it cannot be used any more.
- The lashing strap must be inspected at least once a year by a person authorised to do so.

Label

1. Does the lashing strap and/or the loose section have a label?

2. Is the label legible and does it show:

- | | |
|--|-----------------------------------|
| - LC lashing capacity | - Length in meters. |
| - SHF 50 daN | - STF (only for the ratchet part) |
| - Text; only for lashing not for lifting | - Material of the lashing strap |
| - Name of manufacturer | - Serial number/section code |
| - The standard (EN-12195-2) | - Production year |
| - Elongation in % (at LC) | |

3. Does the label have the following colour?

- Blue (PES, polyester)

Label



Strap

- 4. Is all the stitching free of damage?
- 5. Is it still within the maximum service life of 6 years? (REMA recommendation)
- 6. Free of damage to the strap caused by heat or friction?
- 7. Free of cuts, breaks to strands and/or protruding threads?
- 8. Free of damage caused by exposure to chemicals?
- 9. Free of signs of unauthorised repair?

Ratchet

- 10. Does the ratchet have an LC value?
- 11. There is no distortion visible on the tension element.
- 12. The lever can move freely and the locking plate is free of wear.
- 13. The tension element does not show any corrosion and/or splits and cracks.

Hooks

- 14. Do the hooks have an LC value?
- 15. The hooks do not display any corrosion and/or splits and cracks.
- 16. The deformation is not greater than 5%.
- 17. The hook displays no signs of torsion or deformation caused by overloading and/or incorrect use.
- 18. For hooks with a safety catch, the catch must operate properly and be undamaged.



Features of REMA cargo lashing

- According to EN 12195-2.
- Robust, corrosion-resistant ratchet.
- Long lever for better force transfer.
- Minimal stretch in the strap reduces the chance of having to re-tension.
- User designation, apart from IG systems.



Important

- Never use cargo lashing for lifting.
- Attach cargo lashing so that the strap is not twisted.
- Never load the hooks on the point.
- The ratchet may not be tensioned at an angle to the load.
- With loads with sharp edges and/or rough surfaces, always use protective gear.
- Never use polyester cargo lashing in an alkaline environment.
- Permitted working temperature is -40°C to +100°C.

REMA Lashing strap hooks

- 1. Claw hook
- 2. Triangle-carabiner hook
- 3. Grab hook
- 4. Twisted snap hook
- 5. Triangle



Cargo lashing 50 force Stf 400 daN / LC 5000 daN



Lashing strap 50 mm wide with extended ratchet giving a higher prestressing force.

Properties

- Robust, corrosion-resistant ratchet.
- Handle length 265 mm.
- Minimal elongation in the belt reduces the chance of re-tensioning.

Norm:

- EN12195-2

Type	Stf values (daN)	Lashing capacity LC (daN)	Lashing capacity LC reeved (daN)	Lashing capacity LC endless in (daN)	Webbing width (mm)	Length (m)	End fittings	ProductId
50F/2-VR	400	2500	5000	-	50	9	grab hook 419	1450015

Cargo lashing 50 Stf 320 daN / LC 4000 daN



Properties

- Robust, corrosion-resistant ratchet.
- Handle Length 230 mm.
- Minimal elongation in the belt reduces the chance of re-tensioning.

Norm:

- EN12195-2

Type	Stf values (daN)	Lashing capacity LC (daN)	Lashing capacity LC reeved (daN)	Lashing capacity LC endless in (daN)	Webbing width (mm)	Length (m)	End fittings	ProductId
50/2-411-9m	320	2000	4000	-	50	9	twisted snap hook 411	1401005
50/2-420-9m	320	2000	4000	-	50	9	triangle 420	1402005
50/2-409-9m	320	2000	4000	-	50	9	triangle-carbiner hook 409	1403005
50/2-419-7m	320	2000	4000	-	50	7	grab hook 419	1405003
50/2-419-8m	320	2000	4000	-	50	8	grab hook 419	1405004
50/2-419-9m	320	2000	4000	-	50	9	grab hook 419	1405005
50/2-419-10m	320	2000	4000	-	50	10	grab hook 419	1405007
50/2-419-12m	320	2000	4000	-	50	12	grab hook 419	1405009
50/2-400U-9m	320	2000	4000	-	50	9	claw hook 400U	1407005
50/1-6m	320	-	-	4000	50	6	endless	1408001

Cargo lashing 50 EBC Ergo Belt Stf 450 daN / LC 5000 daN



The EBC ratchet is a very safe ratchet because the load of the lashing belt can be obtained step by step and controlled when unloading loads, so that dangerous situations can be prevented (with standard ratchets the tension is released at once). The EBC ratchet is tensioned by a pulling movement, resulting in a larger force span and a higher Stf value of 450 daN.

Properties

- Robust, corrosion-resistant ratchet.
- Handle length 300 mm.
- Minimal elongation in the belt reduces the chance of re-tensioning.

Norm:

- EN12195-2

Type	Stf values (daN)	Lashing capacity LC (daN)	Lashing capacity LC reeved (daN)	Lashing capacity LC endless in (daN)	Webbing width (mm)	Length (m)	End fittings	ProductId
50EBC/2-419-9m	450	2500	5000	-	50	9	grab hook 419	1409003

Cargo lashing 50 Ergo Stf 500 daN / LC 5000 daN



The ERGO ratchet with long handle is tensioned by a pulling movement, resulting in a larger power transmission (standard systems are equipped with a push ratchet). Due to the high prestressing force Stf of 500 daN, much less strapping is required.

Properties

- Robust, corrosion-resistant ratchet.
- Handle length 325 mm.
- Minimal elongation in the belt reduces the chance of re-tensioning.

Norm:

- EN12195-2

Type	Stf values (daN)	Lashing capacity LC (daN)	Lashing capacity LC reeved (daN)	Lashing capacity LC endless in (daN)	Webbing width (mm)	Length (m)	End fittings	ProductId
50R/2-419-9m	500	2500	5000	-	50	9	grab hook 419	1450001

Cargo lashing 35 Stf 180 daN / LC 2000 daN



Properties

- Robust, corrosion-resistant ratchet.
- Lever length 134 mm.
- Minimal elongation in the belt reduces the chance of re-tensioning.

Norm:

- EN12195-2

Type	Stf values (daN)	Lashing capacity LC (daN)	Lashing capacity LC reeved (daN)	Lashing capacity LC endless in (daN)	Webbing width (mm)	Length (m)	End fittings	ProductId
35/2-419-9m	180	1000	2000	-	35	9	grab hook 419	1452001
35/2-410-9m	180	1000	2000	-	35	9	carabiner hook 410	1452003
35/1-6m	180	-	-	2000	35	6	endless	1452005
35/2-419-7m	180	1000	2000	-	35	7	grab hook 419	1452007
35/2-419-6m	180	1000	2000	-	35	6	grab hook 419	1452009
35/1-12M	180	-	-	2000	35	12	endless	1452011

Cargo lashing 25B Stf 135 daN / LC 1500 daN



Properties

- Robust, corrosion-resistant ratchet.
- Lever length 131 mm.
- Minimal elongation in the belt reduces the chance of re-tensioning.

Norm:

- EN12195-2

Type	Stf values (daN)	Lashing capacity LC (daN)	Lashing capacity LC reeved (daN)	Lashing capacity LC endless in (daN)	Webbing width (mm)	Length (m)	End fittings	ProductId
25B/2-402-7m	135	750	1500	-	25	7	narrow wire hook 402	1416001
25B/2-402-5m	135	750	1500	-	25	5	narrow wire hook 402	1416003
25B/2-402-3m	135	750	1500	-	25	3	narrow wire hook 402	1416005
25B/1-6m	135	-	-	1500	25	6	endless	1416007

Cargo lashing 25A Stf 120 daN / LC 800 daN



Properties

- Robust, corrosion-resistant ratchet.
- Lever length 112 mm.
- Minimal elongation in the belt reduces the chance of re-tensioning.

Norm:

- EN12195-2

Type	Stf values (daN)	Lashing capacity LC (daN)	Lashing capacity LC reeved (daN)	Lashing capacity LC endless in (daN)	Webbing width (mm)	Length (m)	End fittings	ProductId
25A/2-402-7M	120	400	800	-	25	7	narrow wire hook 402	1416011
25A/2-402-5M	120	400	800	-	25	5	narrow wire hook 402	1416013
25A/2-402-3M	120	400	800	-	25	3	narrow wire hook 402	1416015
25A/1-6M	120	-	-	800	25	6	endless	1416017
25A/1-3M	120	-	-	800	25	3	endless	1416019
25A/1-4M	120	-	-	800	25	4	endless	1416021

Cargo lashing IG LC 250 daN / SBIG LC 400 daN



Properties

- Minimal elongation in the belt reduces the chance of re-tensioning.

Norm:

- EN12195-2

Type	Lashing capacity LC (daN)	Lashing capacity LC reeved (daN)	Lashing capacity LC endless in (daN)	Webbing width (mm)	Length (m)	End fittings	ProductId
IG-001-2.5M	-	-	250	25	2.5	endless	1432001
IG-002-3.5M	-	-	250	25	3.5	endless	1432002
IG-003-4.5M	-	-	250	25	4.5	endless	1432003
SBIG-103	-	-	400	25	3	endless	1433001
SBIG-105	-	-	400	25	5	endless	1433002
SBIG-107	-	-	400	25	7	endless	1433003

Heavy duty edge protectors



Specially developed for protection of both the belt and the object to be fixed.

Properties

- Suitable for straps of 50 and 75 mm width.
- Cast from one piece.
- Good practice for lashing.
- Protection of the product by spreading to load (pressure point reduction).
- Does not tear / retains its shape, even at lower temperature.
- Form-retaining and reusable.
- Made of high quality plastic.



Type	Dimensions (mm)	Webbing width (mm)	ProductId
H3	100 x 100	50	1460083
H1	150 x 190	50	1460085

Heavy duty edge protectors - model 2



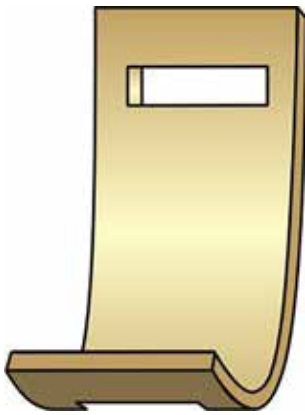
Heavy duty corner protectors are suitable for use with cargo lashing and / or lashing chains.

Properties

- Protection of both the product and the tire.
- Pressure distribution over the product.
- Keeping loads together.

Type	Dimensions (mm)	Length (mm)	ProductId
H2-0.3	190 x 190 x 20	300	1460091
H2-0.8	190 x 190 x 20	800	1460093
H2-1.0	190 x 190 x 20	1000	1460095
H2-1.2	190 x 190 x 20	1200	1460097

Rema DF polyurethane protective sheet



REMA protective equipment for safe and trouble-free lifting.

Protective devices for webbing slings, round slings and cargo lashing are especially important when hoisting products with rough surfaces and sharp edges.

Rema DF polyurethane protection plate.

Suitable for Rema slings types S1.



Type	For cargo lashings	Inside dimensions A x B (mm)	Outside dimensions L x H (mm)	ProductId
DF-25	25	25x10	250x80	1105025
DF-35	30	35x10	250x80	1105035
DF-55	50	55x10	300x100	1105055
DF-80	75	80x30	450x120	1105080

Anti-slip mats



Forces which are required to hold cargo's in place are determined by the coefficient of friction between the different surface materials and, in some cases, dependable on temperature and humidity. Anti-slip mats, used in conjunction with REMA lashings, reduces the lashing load required and adds to cargo safety.

Properties

- Tested according to German VDI 2700 standard.
- Available in different thicknesses and dimensions.
- Friction coefficient > 0.6.

AS-0.25 / 0.5

- Application: Between load floor and load or between the loads.

AS-2.4

- Price-conscious anti-slip mat.
- Application: In the width of the loading floor of trucks.

AS-5

- The popular anti-slip mat.
- Application: Between load and loading floor.

AS-13.6 Thin non-slip mat (3 mm),

- Advantage: Cut to size yourself.
- Application: Between loads.

Type	Length (mm)	Dimensions (mm)	ProductId
AS-0.25	250	250 x 8	1460101
AS-0.50	500	500 x 8	1460103
AS-5.0	5000	250 x 8	1460105
AS-2.4	2400	200 x 8	1460107
AS-13.6	13600	130 x 3	1460108



Load binder system Grade 10



Load binders are used for the safe securing of heavy loads by road, rail, air and ship transport. The lashing chains are equipped with a ratchet tensioner, load hooks with safety latches, shortening claw with a safety device that prevents the chain from vibrating during transport. The ratchet tensioner applies a force to the chains in a controlled manner.

Properties

- Ratchet tensioner with secure-locking.
- Long side can be shortened safely by the shortening claw.
- Safety label with workload and tension force.
- Chains and accessories Grade 10, tensioner Grade 8
- Standard working length 3.5 m.

IMPORTANT!

- Every load, independent of its weight, must be secured.
- Load binders are not suitable for lifting a load.
- Never extend the handle with a pipe for more force.
- Never subject chains, hooks and tensioner over sharp edges.
- Use corner protectors or guides on sharp edges (r radius $<$ diameter chain).
- lashing chain with stretched or bent links, cracks, etc. may no longer be used.
- In case of doubt, always have it inspected and / or repaired by authorized persons or authorities.

Norm:

- EN12195-3, PAS1065

Type	Stf values (daN)	Lashing capacity LC (daN)	Minimum breaking force (daN)	Chain diameter (mm)	H (mm)	Length (m)	Weight (kg)	ProductId
Load binder 8	3150	5000	10000	8	355	3.5	12	3025108
Load binder 10	3150	8000	16000	10	355	3.5	19	3025110
Load binder 13	3150	13400	26800	13	355	3.5	33	3025113

Load binder TLB-R - Grade 8

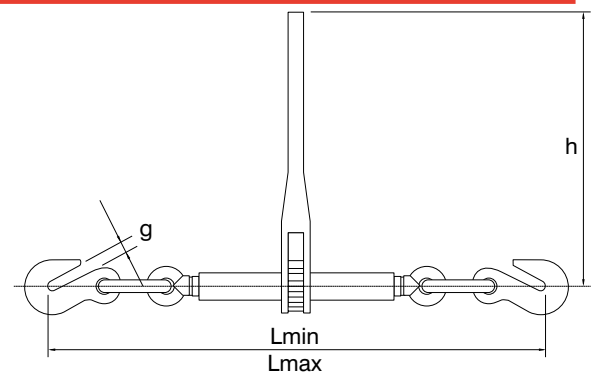


Properties

- Chain tensioner with ratchet mechanism.
- Anchor hooks with security.
- Equipped with locking system.
- Forged manufacture.
- Require minimal effort to operate.
- In combination with Grade 8 chain.

Norm:

- EN12195-3



Type	Stf values (daN)	Lashing capacity LC (daN)	Minimum breaking force (daN)	Chain diameter (mm)	G (mm)	H (mm)	Lmin (mm)	Lmax (mm)	Stroke length (mm)	Weight (kg)	ProductId
TLB- 7R 8	3150	4000	8000	8	12.7	355	595	780	185	4.9	3023010
TLB- 8R 10	3150	6300	12600	10	14	355	620	790	170	5.5	3023013
TLB-10R 13	3150	10000	20000	13	16.5	355	685	885	200	7.4	3023016
TLB-13R 16	3150	16000	32000	16	23.5	381	825	1055	230	12.5	3023017

Introduction to lifting slings and round slings	82
Technical details of lifting slings and round slings	83
Rema Force round slings for heavy loads	84
Polyester webbing slings	85
RWSH Webbing sling hook with latch	87
Polyester webbing slings with triangles	88
Polyester round slings	90
Sling protectors	92
Round sling assy types	94

Information about REMA lifting slings and round slings

REMA lead in the area of production and sales of round slings and lifting slings for use in industry, construction and offshore.

All REMA lifting slings and round slings feature a safety label and meet European Standard EN 1492-2.

Colour coding:

Blue label polyester (PES)
Orange label high performance polyethylene (HPPE)

Part of the label is sewn under the strap, so the strap always remains traceable, even if the label is illegible, damaged or torn off.

Polyester (PES)

Product range Lifting slings and round slings.
Strap/sleeve Colour/stripe coding for each tonnage.
Label Blue.
Properties Excellent UV resistance.
 High resistance to damage from high temperatures.
 High tensile strength in relation to specific weight.
 Lower elongation at safe working load.
 No loss of strength in wet condition.
 Resistant to most acids.
Application Used in almost all industries.

High Performance Polyethylene (HPPE)

Product range Circular round sling and protective sleeves.
Strap White, colourfast, non-run, red wear warning threads.
Label Orange.
Properties Extremely high tensile strength in relation to specific weight.
 Wear-resistant, extremely resistant to friction, approx. 7x better than PES.
 Very high resistance to cutting by sharp edges and corners.
 User-friendly, only one-eighth as heavy as comparable WLL steel sling.
 Long service life and is used in demanding conditions.
 Resistant to alkalis and acids.
 Minimum elongation.
 Less suitable in high ambient temperatures.
Application Lifting of steel coils, natural stone and other heavy, irregularly-shaped loads with sharp edges.







Important information on use

- Never exceed the safe working load indicated.
- Avoid shock loads!
- For loads with sharp edges or rough surfaces, protective gear must be used.
- Lifting slings must be used such that they are loaded across their entire width.
- Use lifting slings and round slings such that the load cannot be distadged.
- Never pull the lifting sling or round sling out from under the load if this is lying on it.
- Never drop lifting slings with steel triangles.
- Polyester lifting slings and round slings must never be used in an alkaline environment.
- Nylon (polyamide) lifting slings must never be used in an acidic environment.
- Never use lifting slings or round slings outside the temperature range of -40°C to +100°C.
- For lifting slings with steel triangles, a working temperature of -20°C to +100°C applies.
- Inspect the lifting sling or round sling visually before use.
- Never use a worn or damaged lifting sling or round sling.
- Never use a lifting sling or round sling whose label is illegible or missing.
- Lifting slings and round slings must never be knotted.

WLL 1000 KG
 POLYESTER
 EN-1492-2
 S.NR
1234567891.

DATUM/DATE: 06.14
 REMA

POLYESTER

 <45° 800 KG	 <60° 2000 KG
 1400 KG	 1000 KG
 <45° 500 KG	 <60° 500 KG

CE EN 1492-2

Datum/ date:
06.14

Lengte
 Länge 0.5
 Length
 Longueur Mtr.

 WLL 1000 KG

REMA[®]

S-5

Art.Nr. 1301000

Storage

- Preferably in a dry, cool and ventilated place.
- Protect against direct sunlight, weather influences and aggressive substances.

Technical information

* Decomposes on exposure to concentrated sulphuric acid.
Greater chemical concentrations and/or higher temperatures reduce the chemical stability of the fabric.

	PES-polyester	HPPE-polyethylene	PA-polyamide (nylon)
Strength (grams/denier)	7-10 GPD	32-44 GPD	8-9 GPD
Specific weight (kg)	1.38	0.97	1.14
Elongation at WLL	3-4%	0.5-1%	6-8%
Elongation at failure	12-18%	3.5-3.8%	15-28%
Moisture absorption	1% of own weight	0% of own weight	9% of own weight
Coefficient of friction	0.12-0.15	0.08	0.10-0.12
Ambient temperature	-40°C - 100°C	-50°C - 155°C	-40°C - 100°C
Melting temperature	254-260°C	144-155°C	218-258°C
Buoyant	no	yes	no

Material	Acids	Alkalis	Ethers	Aldehydes	Alcohol	Oils	Organic solvents	Water and seawater
Polyester	yes*	no	no	no	yes	yes	yes	yes
Polyamide	no	yes	yes	yes	yes	yes	yes	yes
Polyethylene	yes	yes	yes	yes	yes	yes	yes	yes



REMA FORCE | round slings for heavy loads

Material

Depending on the application, REMA Force round slings are available in three different versions. The core is always made of 100% Dyneema® strands and the protective outer sleeve is available in three versions:

- Special woven polyester sleeve with greater wear resistance.
- Dyneema® light duty sleeve with high wear resistance.
- Dyneema® heavy duty sleeve with extremely high resistance to cutting and wear.

Features

Dyneema® is a high-grade polyethylene fibre that combines maximum strength with minimum weight. Weight reduction in comparison with steel cable slings of approx. 80%.

Standards

- REMA Force round slings are manufactured according to the Machinery Directive with CE mark.
- REMA Force round slings are tested to 2 x WLL before delivery.

Applications

REMA Force round slings with heavy duty protective sleeve have been specially developed for applications with extreme friction and danger of cutting such as the lifting of steel coils. (Fig. 2)

REMA Force round slings with light duty protective sleeve are used where great wear resistance is required together with flexibility.

REMA Force round slings with polyester protective sleeve are used where less wear resistance is needed.

REMA Force lifting slings are exceptionally suitable for repetitive lifting work, due to their maximum strength and minimum weight.

Lower costs are achieved through reduced work force requirements and time gains when attaching loads, fewer hand injuries and back complaints etc.



Fig. 1



Fig. 2



Fig. 3



Fig. 4



Fig. 5

REMA FORCE | protective sleeve

The most common damage to lifting slings and round slings is caused by cutting or extreme friction. By making use of the Dyneema® protective sleeve which serves as a buffer between the load and the lifting sling, the sling can be protected against cutting and/or friction. The sleeve can easily be slid over the sling or strop. The Dyneema® sleeve gives seven to eight times better protection against friction than a polyester sleeve.

Two qualities are available:

- 1) DNLD flexible version offers very good protection against friction.
- 2) DNHD heavy version against extreme friction and very good resistance to cutting.

Available: Internal width: 65, 75, 90, 115, 125, 145, 175, 205, 275 and 335 mm.

REMA FORCE | edge protector

The Dyneema® edge protectors have been specially developed for the REMA Force round slings from **8 tonnes** to **115 tonnes** (Fig. 5). The Dyneema® edge protectors are used when a high risk of cutting is present. They are easy to fit with Velcro fixing.

Available internal widths: 125, 135, 155, 185, 230, 285, 345 and 460 mm.

CAUTION!

- Shifting of the load must be avoided at all times: movement of the load across the width of the lifting equipment can lead to serious cutting!

Prices on request

S1 polyester flat webbing slings with reinforced eyes



This professional webbing sling is extremely suitable for intensive industrial use.

Properties

- Duplex hoisting belt; double strap layers.
- Extra strong, water- and dirt-repellent, impregnated fabric guarantees a longer life.
- WLL stripes, each stripe is 1 ton (up to 10 tons).
- Every 30 mm band width is 1 ton load capacity.

Standard delivery

- Packed in plastic including REMA manual.

Options

- Higher capacities on request.

Norm:

- EN1492-1

S1-PES					
	W.L.L (kg)	W.L.L (kg)	W.L.L (kg)	W.L.L (kg)	W.L.L (kg)
1.000 kg	1.000	800	2.000	1.400	1.000
2.000 kg	2.000	1.600	4.000	2.800	2.000
3.000 kg	3.000	2.400	6.000	4.200	3.000
4.000 kg	4.000	3.200	8.000	5.600	4.000
5.000 kg	5.000	4.000	10.000	7.000	5.000
6.000 kg	6.000	4.800	12.000	8.400	6.000
8.000 kg	8.000	6.400	16.000	11.200	8.000
10.000 kg	10.000	8.000	20.000	14.000	10.000

Type/length	1000 KG	2000 KG	3000 KG	4000 KG	5000 KG	6000 KG	8000 KG	10.000 KG
Width	30 mm	60 mm	90 mm	120 mm	150 mm	180 mm	240 mm	300 mm
	ProductId	ProductId	ProductId	ProductId	ProductId	ProductId	ProductId	ProductId
S1-PE-1M	1211031	1211061	1211091	-	-	-	-	-
S1-PE-1,5M	1211033	1211063	1211093	-	-	-	-	-
S1-PE-2M	1211035	1211065	1211095	1211125	1211155	-	-	-
S1-PE-3M	1211037	1211067	1211097	1211127	1211157	1211187	1211217	1211247
S1-PE-4M	1211039	1211069	1211099	1211129	1211159	1211189	1211219	1211249
S1-PE-5M	1211041	1211071	1211101	1211131	1211161	1211191	1211221	1211251
S1-PE-6M	1211043	1211073	1211103	1211133	1211163	1211193	1211223	1211253
S1-PE-7M	1211045	1211075	1211105	1211135	1211165	1211195	1211225	1211255
S1-PE-8M	1211047	1211077	1211107	1211137	1211167	1211197	1211227	1211257
S1-PE-9M	1211049	1211079	1211109	1211139	1211169	1211199	1211229	1211259
S1-PE-10M	1211051	1211081	1211111	1211141	1211171	1211201	1211231	1211261

S2 endless polyester flat slings



This professional webbing sling is extremely suitable for intensive industrial use.

Properties

- Simplex design.
- WLL stripes, each stripe is 1 ton (up to 10 tons).
- 1t load capacity for each 30 mm webbing width.
- Available up to 10 Ton.

Standard delivery

- Packed in plastic including REMA manual.

Norm:

- EN1492-1

S2-PES					
	W.L.L (kg)	W.L.L (kg)	W.L.L (kg)	W.L.L (kg)	W.L.L (kg)
1.000 kg	1.000	800	2.000	1.400	1.000
2.000 kg	2.000	1.600	4.000	2.800	2.000
3.000 kg	3.000	2.400	6.000	4.200	3.000

Type	Usefull length (m)	Cicumference length (m)	1000 KG	2000 KG	3000 KG
Width			30 mm	60 mm	90 mm
			ProductId	ProductId	ProductId
S2-PE-0.5M	0.5	1	1212031	1212061	1212091
S2-PE-1M	1	2	1212035	1212065	1212095
S2-PE-1.5M	1.5	3	1212037	1212067	1212097
S2-PE-2M	2	4	1212039	1212069	1212099
S2-PE-2.5M	2.5	5	1212041	1212071	1212101
S2-PE-3M	3	6	1212043	1212073	1212103
S2-PE-3.5M	3.5	7	1212045	1212075	1212105
S2-PE-4M	4	8	1212047	1212077	1212107
S2-PE-4.5M	4.5	9	1212049	1212079	1212109
S2-PE-5M	5	10	1212051	1212081	1212111

RWSH Webbing sling hook with safety latch



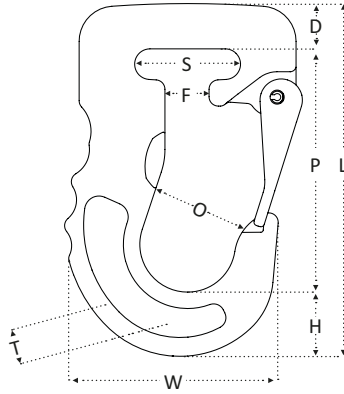
The REMA sling hook is ideal to use in combination with webbing slings and round slings.

Properties

- Powder coated in the color of the sling according to EN 1492-1 and EN 1492-2.

Norm:

- EN1677, PAS1065, EN1492-1/2



Type	WLL (kg)	P (mm)	D (mm)	L (mm)	F (mm)	S (mm)	T (mm)	H (mm)	O (mm)	W (mm)	Weight (kg/pce/m)	ProductId
RWSH-1	1.000	87	16	124	11.5	40.0	17	21	30	75.7	0.73	2652001
RWSH-2	2.000	103	18	148	18.5	44.5	21	27.0	39	90.0	1.27	2652002
RSWH-3	3.000	115	27	175	21.5	54.0	26	33	47	110.0	2.30	2652003

S-3 Webbing slings with triangles



This professional webbing sling is extremely suitable for intensive industrial use.

Properties

- Duplex version; double band layer.
- WLL stripes, each stripe is 1 ton.
- Every 30 mm band width is 1 ton load capacity.

Standard delivery

- Packed in plastic including REMA manual.

Norm:

- EN1492-1, EN1677

S3					
	W.L.L (kg)	W.L.L (kg)	W.L.L (kg)	W.L.L (kg)	W.L.L (kg)
1.000 kg	1.000	800	2.000	1.400	1.000
2.000 kg	2.000	1.600	4.000	2.800	2.000
3.000 kg	3.000	2.400	6.000	4.200	3.000
4.000 kg	4.000	3.200	8.000	5.600	4.000
5.000 kg	5.000	4.000	10.000	7.000	5.000

Type/length	1000 KG	2000 KG	3000 KG	4000 KG	5000 KG
Width	30 mm	60 mm	90 mm	120 mm	150 mm
	ProductId	ProductId	ProductId	ProductId	ProductId
S3-PE-1M	1213031	1213061	1213091	-	-
S3-PE-2M	1213035	1213065	1213095	1213125	1213155
S3-PE-3M	1213037	1213067	1213097	1213127	1213157
S3-PE-4M	1213039	1213069	1213099	1213129	1213159
S3-PE-5M	1213041	1213071	1213101	1213131	1213161
S3-PE-6M	1213043	1213073	1213103	1213133	1213163
S3-PE-7M	1213045	1213075	1213105	1213135	1213165
S3-PE-8M	1213047	1213077	1213107	1213137	1213167
S3-PE-9M	1213049	1213079	1213109	1213139	1213169
S3-PE-10M	1213051	1213081	1213111	1213141	1213171

S-4 Webbing slings with D-triangles



These professional webblings are suitable exclusively for intensive industrial applications.

Properties

- Duplex version; double band layer.
- WLL stripes, each stripe is 1 ton.
- Every 30 mm band width is 1 ton load capacity.

Standard delivery

- Packed in plastic including REMA manual.

Norm:

- EN1492-1, EN1677

S4				
	W.L.L (kg)	W.L.L (kg)	W.L.L (kg)	W.L.L (kg)
1.000 kg	1.000	2.000	1.400	1.000
2.000 kg	2.000	4.000	2.800	2.000
3.000 kg	3.000	6.000	4.200	3.000
4.000 kg	4.000	8.000	5.600	4.000
5.000 kg	5.000	10.000	7.000	5.000

Type/length	1000 KG	2000 KG	3000 KG	4000 KG	5000 KG
Width	30 mm	60 mm	90 mm	120 mm	150 mm
	ProductId	ProductId	ProductId	ProductId	ProductId
S4-PE-1M	1214031	1214061	1214091	-	-
S4-PE-2M	1214035	1214065	1214095	1214125	1214155
S4-PE-3M	1214037	1214067	1214097	1214127	1214157
S4-PE-4M	1214039	1214069	1214099	1214129	1214159
S4-PE-5M	1214041	1214071	1214101	1214131	1214161
S4-PE-6M	1214043	1214073	1214103	1214133	1214163
S4-PE-7M	1214045	1214075	1214105	1214135	1214165
S4-PE-8M	1214047	1214077	1214107	1214137	1214167
S4-PE-9M	1214049	1214079	1214109	1214139	1214169
S4-PE-10M	1214051	1214081	1214111	1214141	1214171

S5 polyester round slings



The standard round sling for industrial application.

Properties

- WLL stripes, each stripe is 1 ton.
- Continuous marked with the load capacity.
- Extra durable due to weft yarns in the cover.
- Sleeve protected label.

Standard delivery

- Packed in plastic including REMA manual.

Norm:

- EN1492-2



Sleeve protected label

S5-PE					
	W.L.L (kg)	W.L.L (kg)	W.L.L (kg)	W.L.L (kg)	W.L.L (kg)
1.000 kg	1.000	800	2.000	1.400	1.000
2.000 kg	2.000	1.600	4.000	2.800	2.000
3.000 kg	3.000	2.400	6.000	4.200	3.000
4.000 kg	4.000	3.200	8.000	5.600	4.000
5.000 kg	5.000	4.000	10.000	7.000	5.000
6.000 kg	6.000	4.800	12.000	8.400	6.000
8.000 kg	8.000	6.400	16.000	11.200	8.000
10.000 kg	10.000	8.000	20.000	14.000	10.000

Type	Usefull length (m)	Cicumference length (m)	1000 KG	2000 KG	3000 KG	4000 KG	5000 KG	6000 KG	8000 KG	10.000 KG
			ProductId	ProductId	ProductId	ProductId	ProductId	ProductId	ProductId	ProductId
S5-PE-0.5M	0.5	1	1301000	1303000	1305000	1306000	-	-	-	-
S5-PE-1M	1	2	1301001	1303001	1305001	1306001	1307001	1308001	1309001	1311001
S5-PE-1.5M	1.5	3	1301003	1303003	1305003	1306003	1307003	1308003	1309003	1311003
S5-PE-2M	2	4	1301005	1303005	1305005	1306005	1307005	1308005	1309005	1311005
S5-PE-2.5M	2.5	5	1301007	1303007	1305007	1306007	1307007	1308007	1309007	1311007
S5-PE-3M	3	6	1301009	1303009	1305009	1306009	1307009	1308009	1309009	1311009
S5-PE-3.5M	3.5	7	1301010	1303010	1305010	1306010	1307010	1308010	1309010	1311010
S5-PE-4M	4	8	1301011	1303011	1305011	1306011	1307011	1308011	1309011	1311011
S5-PE-4.5M	4.5	9	1301012	1303012	1305012	1306012	1307012	1308012	1309012	1311012
S5-PE-5M	5	10	1301013	1303013	1305013	1306013	1307013	1308013	1309013	1311013

S5 EX polyester roundslings



Extra professional round sling extremely suitable for intensive industrial use. This type of round sling has proven itself for years in the German heavy industry.

Properties

- WLL stripes, each stripe is 1 ton (up to 10 ton).
- Continuous marked with the load capacity.
- High-quality herringbone polyester cover, a very strong and wear-resistant cover is obtained by weaving a strong monofil textile thread.
- Higher wear resistance due to the rib structure on the woven cover.
- Sleeve protected label.

Standard delivery

- Packed in plastic including REMA manual.

Norm:

- EN1492-2

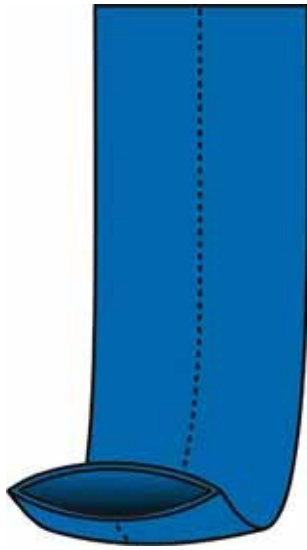


Sleeve protected label

S5-EX					
	W.L.L (kg)	W.L.L (kg)	W.L.L (kg)	W.L.L (kg)	W.L.L (kg)
1.000 kg	1.000	800	2.000	1.400	1.000
2.000 kg	2.000	1.600	4.000	2.800	2.000
3.000 kg	3.000	2.400	6.000	4.200	3.000
4.000 kg	4.000	3.200	8.000	5.600	4.000
5.000 kg	5.000	4.000	10.000	7.000	5.000
6.000 kg	6.000	4.800	12.000	8.400	6.000
8.000 kg	8.000	6.400	16.000	11.200	8.000
10.000 kg	10.000	8.000	20.000	14.000	10.000

Type	Usefull length (m)	Cicumference length (m)	1000 KG	2000 KG	3000 KG	4000 KG	5000 KG	6000 KG	8000 KG	10.000 KG
			ProductId	ProductId	ProductId	ProductId	ProductId	ProductId	ProductId	ProductId
S5EX-PE-1M	1	2	1321001	1323001	1325001	1326001	1327001	1328001	1329001	1331001
S5EX-PE-1.5M	1.5	3	1321003	1323003	1325003	1326003	1327003	1328003	1329003	1331003
S5EX-PE-2M	2	4	1321005	1323005	1325005	1326005	1327005	1328005	1329005	1331005
S5EX-PE-2.5M	2.5	5	1321007	1323007	1325007	1326007	1327007	1328007	1329007	1331007
S5EX-PE-3M	3	6	1321009	1323009	1325009	1326009	1327009	1328009	1329009	1331009
S5EX-PE-3.5M	3.5	7	1321010	1323010	1325010	1326010	1327010	1328010	1329010	1331010
S5EX-PE-4M	4	8	1321011	1323011	1325011	1326011	1327011	1328011	1329011	1331011
S5EX-PE-5M	5	10	1321013	1323013	1325013	1326013	1327013	1328013	1329013	1331013

Rema BS protective cover (PVC)

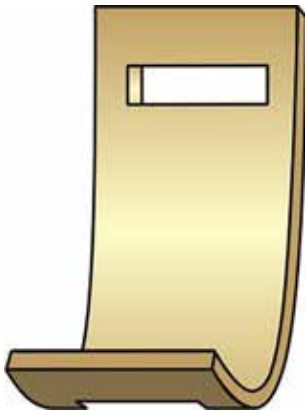


Suitable for Rema S-1 slings, S-2 straps and S-5 round slings.



Type	For webbing slings	WLL P1 roundslings (Kg)	WLL P2 roundslings (Kg)	Inside dimensions (mm)	ProductId
BS-50	50	1t/2t	1t	60	1107050
BS-60	60	3t/4t/5t	2t/3t	80	1107060
BS-75	75	6t/8t	4t	100	1107075
BS-100	100	10t/12t	5t/6t	120	1107090
BS-150	150	15t/20t	8t	160	1107150
BS-180	180	25t/30t	10t/12t/15t	200	1107180
BS-200	200	30t/40t	-	235	1107200
BS-300	300	-	20t/25t/30t/40t	315	1107300

Rema DF polyurethane protective sheet



REMA protective equipment for safe and trouble-free lifting.

Protective devices for webbing slings, round slings and lashing straps are especially important when hoisting products with rough surfaces and sharp edges.

Rema DF polyurethane protection plate.

Suitable for Rema slings types S1.



Type	For webbing slings	For roundslings	Inside dimensions A x B (mm)	Outside dimensions L x H (mm)	ProductId
DF-60	50	1 t/2t	60x30	450x100	1105060
DF-70	60	-	70x30	450x120	1105070
DF-80	65/75	3t	80x30	450x120	1105080
DF-90	80	4t	90 x 40	470x130	1105090
DF-100	90	-	100x40	470x150	1105100
DF-110	100	5t	110x40	470x150	1105110
DF-130	120	8t	130x40	470x170	1105130
DF-160	150	-	160x40	470 X 200	1105160
DF-220	210	-	220 X 40	470 X 240	1105220

1-leg round sling assy with chain components (G10)



Properties

- End fittings Grade 10.
- Round sling coupling (WCL) for the safe and smooth connection of round slings with end fittings.
- Identification label.
- Length round sling is 1 meter

Option

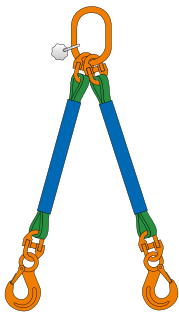
- Extra length round sling and protective cover on request.

Norm:

- EN1492-2, EN1677, PAS1065

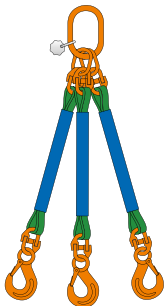
Type	WLL (kg)	Typ round-sling	Typ protection	Typ masterlink	Typ connection link	Hook type	ProductId
1SPR-1000KG-1M	1000	S5-1.0	BS-50	RML-86-G10	WCL-8-G10	REH-8-G10	2591101
1SPR-2000KG-1M	2000	S5-2.0	BS-60	RML-86-G10	WCL-8-G10	REH-8-G10	2591201
1SPR-3000KG-1M	3000	S5-3.0	BS-60	RML-108-G10	WCL-10-G10	REH-10-G10	2591301
1SPR-4000KG-1M	4000	S5-4.0	BS-75	RML1310-G10	WCL-13-G10	REH-13-G10	2591401
1SPR-5000KG-1M	5000	S5-5.0	BS-75	RML1310-G10	WCL-13-G10	REH-13-G10	2591501

2-leg round sling assy with chain components (G10)



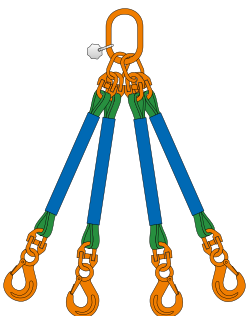
Type	WLL (kg)	Typ round-sling	Typ protection	Typ masterlink	Typ connection link	Hook type	ProductId
2SPR-1000KG-1M	1400-1000	S5-1.0	BS-50	RML-86-G10	WCL-8-G10	REH-8-G10	2592101
2SPR-2000KG-1M	2800-2000	S5-2.0	BS-60	RML-108-G10	WCL-8-G10	REH-8-G10	2592201
2SPR-3000KG-1M	4200-3000	S5-3.0	BS-60	RML-1310-G10	WCL-10-G10	REH-10-G10	2592301
2SPR-4000KG-1M	5600-4000	S5-4.0	BS-75	RML-1613-G10	WCL-13-G10	REH-13-G10	2592401
2SPR-5000KG-1M	7000-5000	S5-5.0	BS-75	RML-1613-G10	WCL-13-G10	REH-13-G10	2592501

3-leg round sling assy with chain components (G10)



Type	WLL (kg)	Typ round-sling	Typ protection	Typ masterlink	Typ connection link	Hook type	ProductId
3SPR-1500KG-1M	2100-1500	S5-1.0	BS-50	RMA-8-G10	WCL-8-G10	REH-8-G10	2593101
3SPR-3000KG-1M	4200-3000	S5-2.0	BS-60	RMA-8-G10	WCL-8-G10	REH-8-G10	2593201
3SPR-4500KG-1M	6300-4500	S5-3.0	BS-60	RMA-10-G10	WCL-10-G10	REH-10-G10	2593301
3SPR-6000KG-1M	8400-6000	S5-4.0	BS-75	RMA-13-G10	WCL-13-G10	REH-13-G10	2593401
3SPR-7500KG-1M	10500-7500	S5-5.0	BS-75	RMA-13-G10	WCL-13-G10	REH-13-G10	2593501

4-leg round sling assy with chain components (G10)



Type	WLL (kg)	Typ round-sling	Typ protection	Typ masterlink	Typ connection link	Hook type	ProductId
4SPR-1500KG-1M	2100-1500	S5-1.0	BS-50	RMA-8-G10	WCL-8-G10	REH-8-G10	2594101
4SPR-3000KG-1M	4200-3000	S5-2.0	BS-60	RMA-8-G10	WCL-8-G10	REH-8-G10	2594201
4SPR-4500KG-1M	6300-4500	S5-3.0	BS-60	RMA-10-G10	WCL-10-G10	REH-10-G10	2594301
4SPR-6000KG-1M	8400-6000	S5-4.0	BS-75	RMA-13-G10	WCL-13-G10	REH-13-G10	2594401
4SPR-7500KG-1M	10500-7500	S5-5.0	BS-75	RMA-13-G10	WCL-13-G10	REH-13-G10	2594501



System S Zinc-coated wire rope slings

Standard delivery

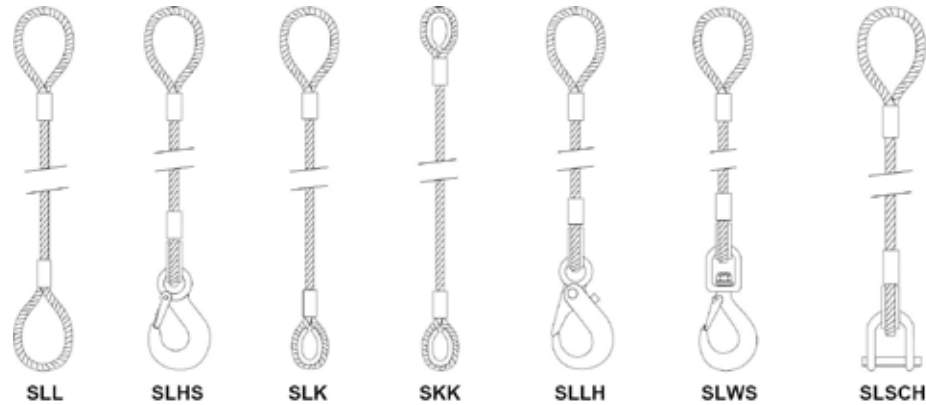
- Standard working length 1 meter.

Option

- Longer lengths.
- Higher capacities.

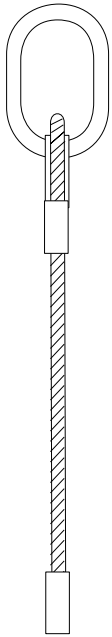
Norm:

- EN13414-1A-2-3, EN12385, EN13411 1->7, EN1677



Type	WLL (kg)	Cable diameter (mm)	ProductId
SLL-1T-10MM	1000	10	3101001
SLL-1.45T-12MM	1450	12	3101011
SLL-2T-14MM	2000	14	3101021
SLL-2.5T-16MM	2500	16	3101031
SLL-3.2T-18MM	3200	18	3101051
SLHS-1T-10MM	1000	10	3102001
SLHS-1.45T-12MM	1450	12	3102011
SLHS-2T-14MM	2000	14	3102021
SLHS-2.5T-16MM	2500	16	3102031
SLHS-2.5T-16MM	2500	16	3102041
SLHS-3.2T-18MM	3200	18	3102051
SLK-1T-10MM	1000	10	3103101
SLK-1.45T-12MM	1450	12	3103201
SLK-2T-14MM	2000	14	3103301
SLK-2.5T-16MM	2500	16	3103401
SLK-3.2T-18MM	3200	18	3103501
SKK-1T-10MM	1000	10	3104101
SKK-1.45T-12MM	1450	12	3104201
SKK-2T-14MM	2000	14	3104301
SKK-2.5T-16MM	2500	16	3104401
SKK-3.2T-18MM	3200	18	3104501
SLLH-1T-10MM	1000	10	3105101
SLLH-1.45T-12MM	1450	12	3105201
SLLH-2T-14MM	2000	14	3105301
SLLH-2.5T-16MM	2500	16	3105401
SLLH-3.2T-18MM	3200	18	3105501
SLWS-1T-10MM	1000	10	3106101
SLWS-1.45T-12MM	1450	12	3106201
SLWS-2T-14MM	2000	14	3106301
SLWS-2.5T-16MM	2500	16	3106401
SLWS-3.2T-18MM	3200	18	3106501
SLSCH-1T-10MM	1000	10	3107101
SLSCH-1.45T-12MM	1450	12	3107201
SLSCH-2T-14MM	2000	14	3107301
SLSCH-2.5T-16MM	2500	16	3107401
SLSCH-3.2T-18MM	3200	18	3107501

Wire rope slings 1-leg with chain components



System T galvanized steel wire rope with top link and end fittings.

Standard delivery

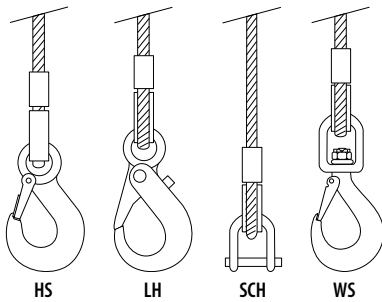
- Working length 1 meter

Option

- Longer lengths.
- Higher capacities.

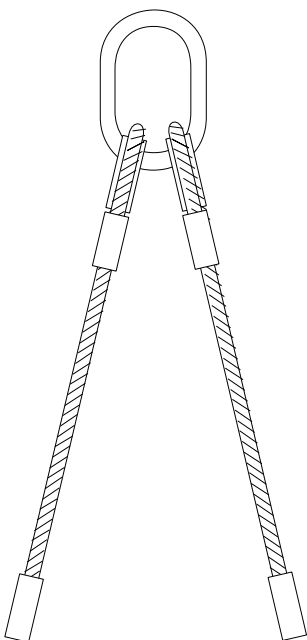
Norm:

- EN13414-1A-2-3, EN12385, EN13411 1->7, EN1677



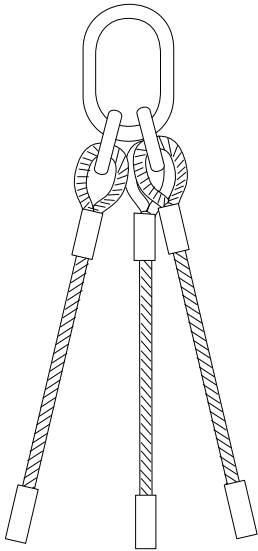
Type	WLL (kg)	Cable diameter (mm)	ProductId
SK1-EHS-10MM-1M	1000	10	3110111
SK1-ELH-10MM-1M	1000	10	3110121
SK1-EWS-10MM-1M	1000	10	3110131
SK1-ESCH-10MM-1M	1000	10	3110141
SK1-EHS-12MM-1M	1450	12	3112111
SK1-ELH-12MM-1M	1450	12	3112121
SK1-EWS-12MM-1M	1450	12	3112131
SK1-ESCH-12MM-1M	1450	12	3112141
SK1-EHS-14MM-1M	2000	14	3114111
SK1-ELH-14MM-1M	2000	14	3114121
SK1-EWS-14MM-1M	2000	14	3114131
SK1-ESCH-14MM-1M	2000	14	3114141
SK1-EHS-16MM-1M	2500	16	3116111
SK1-ELH-16MM-1M	2500	16	3116121
SK1-EWS-16MM-1M	2500	16	3116131
SK1-ESCH-16MM-1M	2500	16	3116141
SK1-EHS-18MM-1M	3200	18	3118111
SK1-ELH-18MM-1M	3200	18	3118121
SK1-EWS-18MM-1M	3200	18	3118131
SK1-ESCH-18MM-1M	3200	18	3118141

Wire rope slings 2-leg with chain components



Type	WLL (kg)	Cable diameter (mm)	ProductId
SK2-EHS-10MM-1M	1400-1000	10	3110211
SK2-ELH-10MM-1M	1400-1000	10	3110221
SK2-EWS-10MM-1M	1400-1000	10	3110231
SK2-ESCH-10MM-1M	1400-1000	10	3110241
SK2-EHS-12MM-1M	2000-1450	12	3112211
SK2-ELH-12MM-1M	2000-1450	12	3112221
SK2-EWS-12MM-1M	2000-1450	12	3112231
SK2-ESCH-12MM-1M	2000-1450	12	3112241
SK2-EHS-14MM-1M	2800-2000	14	3114211
SK2-ELH-14MM-1M	2800-2000	14	3114221
SK2-EWS-14MM-1M	2800-2000	14	3114231
SK2-ESCH-14MM-1M	2800-2000	14	3114241
SK2-EHS-16MM-1M	3500-2500	16	3116211
SK2-ELH-16MM-1M	3500-2500	16	3116221
SK2-EWS-16MM-1M	3500-2500	16	3116231
SK2-ESCH-16MM-1M	3500-2500	16	3116241
SK2-EHS-18MM-1M	4500-3200	18	3118211
SK2-ELH-18MM-1M	4500-3200	18	3118221
SK2-EWS-18MM-1M	4500-3200	18	3118231
SK2-ESCH-18MM-1M	4500-3200	18	3118241

Wire rope slings 3-leg with chain components



System T galvanized steel wire rope with top link and end fittings.

Standard delivery

- Working length 1 meter

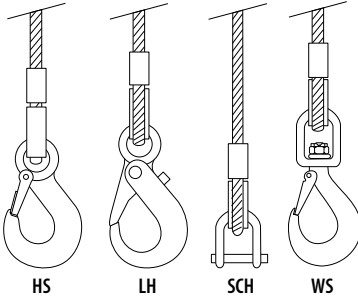
Option

- Longer lengths.
- Higher capacities.

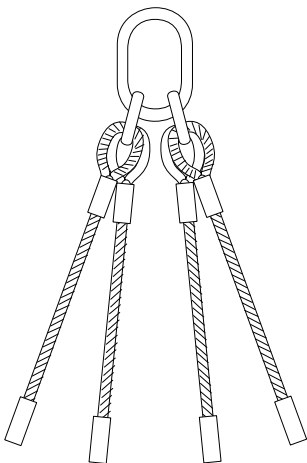
Norm:

- EN13414-1A-2-3, EN12385, EN13411 1->7, EN1677

Type	WLL (kg)	Cable diameter (mm)	ProductId
SK3-EHS-10MM-1M	2100-1500	10	3110311
SK3-ELH-10MM-1M	2100-1500	10	3110321
SK3-EWS-10MM-1M	2100-1500	10	3110331
SK3-ESCH-10MM-1M	2100-1500	10	3110341
SK3-EHS-12MM-1M	3000-2150	12	3112311
SK3-ELH-12MM-1M	3000-2150	12	3112321
SK3-EWS-12MM-1M	3000-2150	12	3112331
SK3-ESCH-12MM-1M	3000-2150	12	3112341
SK3-EHS-14MM-1M	4200-3000	14	3114311
SK3-ELH-14MM-1M	4200-3000	14	3114321
SK3-EWS-14MM-1M	4200-3000	14	3114331
SK3-ESCH-14MM-1M	4200-3000	14	3114341
SK3-EHS-16MM-1M	5250-3750	16	3116311
SK3-ELH-16MM-1M	5250-3750	16	3116321
SK3-EWS-16MM-1M	5250-3750	16	3116331
SK3-ESCH-16MM-1M	5250-3750	16	3116341
SK3-EHS-18MM-1M	6700-4800	18	3118311
SK3-ELH-18MM-1M	6700-4800	18	3118321
SK3-EWS-18MM-1M	6700-4800	18	3118331
SK3-ESCH-18MM-1M	6700-4800	18	3118341



Wire rope slings 4-leg with chain components



Type	WLL (kg)	Cable diameter (mm)	ProductId
SK4-EHS-10MM-1M	2100-1500	10	3110411
SK4-ELH-10MM-1M	2100-1500	10	3110421
SK4-EWS-10MM-1M	2100-1500	10	3110431
SK4-ESCH-10MM-1M	2100-1500	10	3110441
SK4-EHS-12MM-1M	3000-2150	12	3112411
SK4-ELH-12MM-1M	3000-2150	12	3112421
SK4-EWS-12MM-1M	3000-2150	12	3112431
SK4-ESCH-12MM-1M	3000-2150	12	3112441
SK4-EHS-14MM-1M	4200-3000	14	3114411
SK4-ELH-14MM-1M	4200-3000	14	3114421
SK4-EWS-14MM-1M	4200-3000	14	3114431
SK4-ESCH-14MM-1M	4200-3000	14	3114441
SK4-EHS-16MM-1M	5250-3750	16	3116411
SK4-ELH-16MM-1M	5250-3750	16	3116421
SK4-EWS-16MM-1M	5250-3750	16	3116431
SK4-ESCH-16MM-1M	5250-3750	16	3116441
SK4-EHS-18MM-1M	6700-4800	18	3118411
SK4-ELH-18MM-1M	6700-4800	18	3118421
SK4-EWS-18MM-1M	6700-4800	18	3118431
SK4-ESCH-18MM-1M	6700-4800	18	3118441

REMA (G10) information	100
REMA (G10) working load table	101
REMA-10 (G10) Chain slings complete	102
REMA (G10) chain components	106



REMA 10 information

If you are looking for an approved chain for lifting applications, 8, 10 and 12 are the most common chain qualities. Grade 10 is in fact a more recent product in metallurgy and is becoming ever more popular as a replacement for the grade 8 chain. The REMA 10 chain and its associated range of parts offer an operating load approximately 25% greater with a weight reduction of an attractive 36%.

Due to the greater strength of G10 compared with G8, G10 is being used in more applications as a chain of smaller dimensions can be used without sacrificing the maximum working load. The REMA 10 range offers the user even more advantages, such as its ease of handling and increased efficiency. Moreover, thanks to their greater alloy content, the Grade 10 products are more robust and resistant to material fatigue.

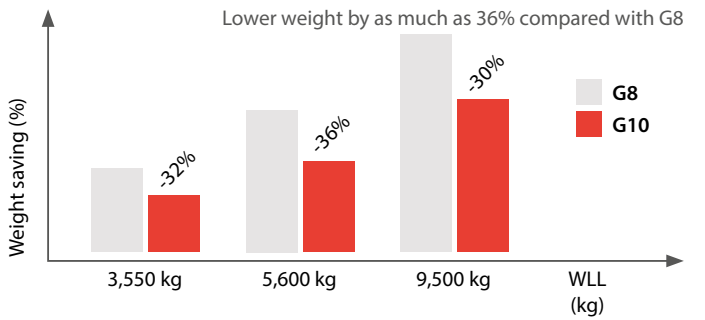
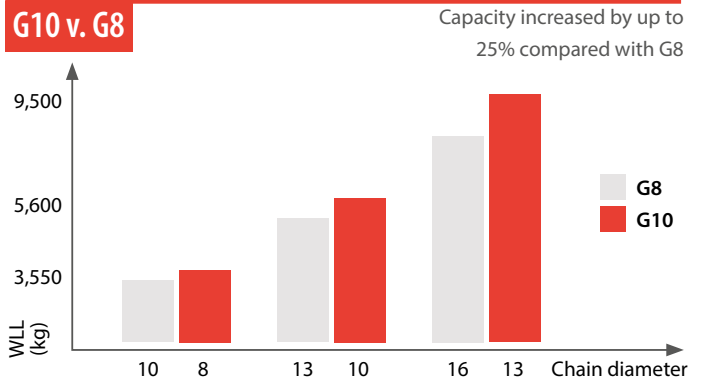
Furthermore, the chain and the parts are more environment friendly and are more efficiently manufactured. Due to the reduced material consumption and the generally lower product weight, less energy is consumed during the production phase, therefore, less material needs to be recycled as well. All this contributes to a reduced ecological footprint which REMA supports.

Operating load table

The WLL listed in the table below is the maximum load to which REMA chains are designed for bearing a load under general lifting conditions according to the uniform load method.

In extremely complex situations or circumstances that require a modified 'WLL' that is lower than the value prescribed in the table, the risk must always be assessed by an expert and the working load must be adapted accordingly.

G10 v. G8



		1-leg		2-leg		3/4-leg		Endless		
Safety factor		4		4		4		4		
Angle	-	-	0 - 45°	45° - 60°	0 - 45°	45° - 60°	0 - 45°	45° - 60°	-	
Load factor	1	0.8	1.4	1	1.12	0.8	2.1	1.5	1.6	
Code	d	WLL								
REMA 10 - 6	6	1,400	1,120	1,960	1,400	1,570	1,120	2,940	2,100	2,240
G8	6	1,120	900	1,600	1,120	1,250	900	2,360	1,700	1,800
REMA 10 - 8	8	2,500	2,000	3,500	2,500	2,800	2,000	5,250	3,750	4,000
G8	8	2,000	1,600	2,800	2,000	2,240	1,600	4,250	3,000	3,150
REMA 10 - 10	10	4,000	3,200	5,600	4,000	4,480	3,200	8,400	6,000	6,400
G8	10	3,150	2,500	4,250	3,150	3,550	2,500	6,700	4,750	5,000
REMA 10 - 13	13	6,700	5,360	9,380	6,700	7,500	5,360	14,000	10,050	10,720
G8	13	5,300	4,250	7,500	5,300	5,900	4,250	11,200	8,000	8,500
REMA 10 - 16	16	10,000	8,000	14,000	10,000	11,200	8,000	21,000	15,000	16,000
G8	16	8,000	6,300	11,200	8,000	9,000	6,300	17,000	11,800	12,500
REMA 10 - 20	20	16,000	12,800	22,400	16,000	18,000	12,800	33,600	24,000	25,600
G8	20	12,500	10,000	17,000	12,500	14,000	10,000	26,250	19,000	20,000

Standards applied according to: EN 818 and EN 1677.

Technical information

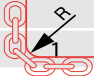


Overall stress at nominal load	250 N/mm ²
Stress at test load	625 N/mm ²
Stress at failure load	1,000 N/mm ²
Strain at failure	20%
Deformation (according to EN 818-2)	0.8 x chain diameter
Ambient temperature	-30°C to 200°C.
Quality class designation	Grade 10
Surface finish, chain	REMA blue-grey powder coating
Surface finish, parts	REMA orange powder coating

Safety standards

Standards	EN 818, EN 1677, DIN 17115, DIN 5692
REMA quality standard	ISO 9001
REMA safety standard	ISO 45001
REMA identity label	REMA-10

General use

If chains and/or accessories are used under unusual or arduous conditions (extreme temperatures, asymmetric load, angled load or dynamic load), then the values in the above table must be reduced by the load factors below.

Temperature	The use of REMA 10 products is not permitted in temperatures below -30°C or above 200°C		
Load factor of REMA 10 range	1		
Asymmetric load distribution	In the case of an asymmetric load, the chain must be rated at 50% of the marked maximum WLL		
Angled load (d = thickness of the material)	R = greater than 2 x d	R = greater than d	R = less than d
Load factor			

Shock loads

Crane operators must assess the possibility of shock loads. A chain may break due to a shock load even if the load is well below the maximum operating load for this chain. A high acceleration or shock load may be caused by a sudden movement of the crane.

Avoid jerking, which may happen when the chain is suddenly pulled straight with great force. Hazardous situations can arise due to sudden impact from falling loads.

Shock loads	slight shocks	medium shocks	severe shocks
Load factor	1	0.7	not permitted

REMA (G10) Chain slings assembly

Norm: EN1677 -1->4, PAS1065, EN818-1-2-4-6

Chain sling assy 1 leg REMA-10 | masterlink RML | clevis sling hook RCH

Type



1-leg
RML-RCX-RCH

Length (m)	1.400		2.500		4.000		6.700		10.000	
	WLL (kg)		WLL (kg)		WLL (kg)		WLL (kg)		WLL (kg)	
	6 mm	8 mm	10 mm	13 mm	16 mm					
1.0	2691106-1	2691108-1	2691110-1	2691113-1	2691116-1					
1.5	2691106-1.5	2691108-1.5	2691110-1.5	2691113-1.5	2691116-1.5					
2.0	2691106-2	2691108-2	2691110-2	2691113-2	2691116-2					
2.5	2691106-2.5	2691108-2.5	2691110-2.5	2691113-2.5	2691116-2.5					
3.0	2691106-3	2691108-3	2691110-3	2691113-3	2691116-3					
3.5	2691106-3.5	2691108-3.5	2691110-3.5	2691113-3.5	2691116-3.5					
4.0	2691106-4	2691108-4	2691110-4	2691113-4	2691116-4					

Chain sling assy 1 leg REMA-10 | masterlink RML | self locking clevis hook RCS

Type



1-leg
RML-RCX-RCS

Length (m)	1.400		2.500		4.000		6.700		10.000	
	WLL (kg)		WLL (kg)		WLL (kg)		WLL (kg)		WLL (kg)	
	6 mm	8 mm	10 mm	13 mm	16 mm					
1.0	2691206-1	2691208-1	2691210-1	2691213-1	2691216-1					
1.5	2691206-1.5	2691208-1.5	2691210-1.5	2691213-1.5	2691216-1.5					
2.0	2691206-2	2691208-2	2691210-2	2691213-2	2691216-2					
2.5	2691206-2.5	2691208-2.5	2691210-2.5	2691213-2.5	2691216-2.5					
3.0	2691206-3	2691208-3	2691210-3	2691213-3	2691216-3					
3.5	2691206-3.5	2691208-3.5	2691210-3.5	2691213-3.5	2691216-3.5					
4.0	2691206-4	2691208-4	2691210-4	2691213-4	2691216-4					

Chain sling assy 1 leg REMA-10 | masterlink RML | clevis shortening hook RDG | clevis sling hook RCH

Type



1-leg
RML-RDG-RCH

Length (m)	1.400		2.500		4.000		6.700		10.000	
	WLL (kg)		WLL (kg)		WLL (kg)		WLL (kg)		WLL (kg)	
	6 mm	8 mm	10 mm	13 mm	16 mm					
1.0	2691306-1	2691308-1	2691310-1	2691313-1	2691316-1					
1.5	2691306-1.5	2691308-1.5	2691310-1.5	2691313-1.5	2691316-1.5					
2.0	2691306-2	2691308-2	2691310-2	2691313-2	2691316-2					
2.5	2691306-2.5	2691308-2.5	2691310-2.5	2691313-2.5	2691316-2.5					
3.0	2691306-3	2691308-3	2691310-3	2691313-3	2691316-3					
3.5	2691306-3.5	2691308-3.5	2691310-3.5	2691313-3.5	2691316-3.5					
4.0	2691306-4	2691308-4	2691310-4	2691313-4	2691316-4					

Chain sling assy 1 leg REMA-10 | masterlink RML | clevis shortening hook RDG | self locking clevis hook RCS

Type



1-leg
RML-RDG-RCS

Length (m)	1.400		2.500		4.000		6.700		10.000	
	WLL (kg)		WLL (kg)		WLL (kg)		WLL (kg)		WLL (kg)	
	6 mm	8 mm	10 mm	13 mm	16 mm					
1.0	2691406-1	2691408-1	2691410-1	2691413-1	2691416-1					
1.5	2691406-1.5	2691408-1.5	2691410-1.5	2691413-1.5	2691416-1.5					
2.0	2691406-2	2691408-2	2691410-2	2691413-2	2691416-2					
2.5	2691406-2.5	2691408-2.5	2691410-2.5	2691413-2.5	2691416-2.5					
3.0	2691406-3	2691408-3	2691410-3	2691413-3	2691416-3					
3.5	2691406-3.5	2691408-3.5	2691410-3.5	2691413-3.5	2691416-3.5					
4.0	2691406-4	2691408-4	2691410-4	2691413-4	2691416-4					

REMA (G10) Chain slings assembly

Norm: EN1677 -1->4, PAS1065,|EN818-1-2-4-6

Chain sling assy 2-leg REMA-10 | masterlink RML | clevis sling hook RCH



	1.960 1.400	3.500 2.500	5.600 4.000	9.380 6.700	14.000 10.000
Length (m)	6 mm	8 mm	10 mm	13 mm	16 mm
1.0	2692106-1	2692108-1	2692110-1	2692113-1	2692116-1
1.5	2692106-1.5	2692108-1.5	2692110-1.5	2692113-1.5	2692116-1.5
2.0	2692106-2	2692108-2	2692110-2	2692113-2	2692116-2
2.5	2692106-2.5	2692108-2.5	2692110-2.5	2692113-2.5	2692116-2.5
3.0	2692106-3	2692108-3	2692110-3	2692113-3	2692116-3
3.5	2692106-3.5	2692108-3.5	2692110-3.5	2692113-3.5	2692116-3.5
4.0	2692106-4	2692108-4	2692110-4	2692113-4	2692116-4

Chain sling assy 2-leg REMA-10 | masterlink RML | self locking clevis hook RCS



	1.960 1.400	3.500 2.500	5.600 4.000	9.380 6.700	14.000 10.000
Length (m)	6 mm	8 mm	10 mm	13 mm	16 mm
1.0	2692206-1	2692208-1	2692210-1	2692213-1	2692216-1
1.5	2692206-1.5	2692208-1.5	2692210-1.5	2692213-1.5	2692216-1.5
2.0	2692206-2	2692208-2	2692210-2	2692213-2	2692216-2
2.5	2692206-2.5	2692208-2.5	2692210-2.5	2692213-2.5	2692216-2.5
3.0	2692206-3	2692208-3	2692210-3	2692213-3	2692216-3
3.5	2692206-3.5	2692208-3.5	2692210-3.5	2692213-3.5	2692216-3.5
4.0	2692206-4	2692208-4	2692210-4	2692213-4	2692216-4

Chain sling assy 2-leg REMA-10 | masterlink RML | clevis shortening hook RDG | clevis sling hook RCH



	1.960 1.400	3.500 2.500	5.600 4.000	9.380 6.700	14.000 10.000
Length (m)	6 mm	8 mm	10 mm	13 mm	16 mm
1.0	2692306-1	2692308-1	2692310-1	2692313-1	2692316-1
1.5	2692306-1.5	2692308-1.5	2692310-1.5	2692313-1.5	2692316-1.5
2.0	2692306-2	2692308-2	2692310-2	2692313-2	2692316-2
2.5	2692306-2.5	2692308-2.5	2692310-2.5	2692313-2.5	2692316-2.5
3.0	2692306-3	2692308-3	2692310-3	2692313-3	2692316-3
3.5	2692306-3.5	2692308-3.5	2692310-3.5	2692313-3.5	2692316-3.5
4.0	2692306-4	2692308-4	2692310-4	2692313-4	2692316-4

Chain sling assy 2-leg REMA-10 | masterlink RML | clevis shortening hook RDG | self locking clevis hook RCS



	1.960 1.400	3.500 2.500	5.600 4.000	9.380 6.700	14.000 10.000
Length (m)	6 mm	8 mm	10 mm	13 mm	16 mm
1.0	2692406-1	2692408-1	2692410-1	2692413-1	2692416-1
1.5	2692406-1.5	2692408-1.5	2692410-1.5	2692413-1.5	2692416-1.5
2.0	2692406-2	2692408-2	2692410-2	2692413-2	2692416-2
2.5	2692406-2.5	2692408-2.5	2692410-2.5	2692413-2.5	2692416-2.5
3.0	2692406-3	2692408-3	2692410-3	2692413-3	2692416-3
3.5	2692406-3.5	2692408-3.5	2692410-3.5	2692413-3.5	2692416-3.5
4.0	2692406-4	2692408-4	2692410-4	2692413-4	2692416-4

REMA (G10) Chain slings assembly

Norm: EN1677 -1->4, PAS1065, EN818-1-2-4-6

Chain sling assy 3-leg REMA-10 | masterlink RMA | clevis sling hook RCH



WLL (kg)	2.940 2.100	5.250 3.750	8.400 6.000	14.000 10.050	21.000 15.000
Length (m)	6 mm	8 mm	10 mm	13 mm	16 mm
1.0	2693106-1	2693108-1	2693110-1	2693113-1	2693116-1
1.5	2693106-1.5	2693108-1.5	2693110-1.5	2693113-1.5	2693116-1.5
2.0	2693106-2	2693108-2	2693110-2	2693113-2	2693116-2
2.5	2693106-2.5	2693108-2.5	2693110-2.5	2693113-2.5	2693116-2.5
3.0	2693106-3	2693108-3	2693110-3	2693113-3	2693116-3
3.5	2693106-3.5	2693108-3.5	2693110-3.5	2693113-3.5	2693116-3.5
4.0	2693106-4	2693108-4	2693110-4	2693113-4	2693116-4

Chain sling assy 3-leg REMA-10 | masterlink RMA | self locking clevis hook RCS



WLL (kg)	2.940 2.100	5.250 3.750	8.400 6.000	14.000 10.050	21.000 15.000
Length (m)	6 mm	8 mm	10 mm	13 mm	16 mm
1.0	2693206-1	2693208-1	2693210-1	2693213-1	2693216-1
1.5	2693206-1.5	2693208-1.5	2693210-1.5	2693213-1.5	2693216-1.5
2.0	2693206-2	2693208-2	2693210-2	2693213-2	2693216-2
2.5	2693206-2.5	2693208-2.5	2693210-2.5	2693213-2.5	2693216-2.5
3.0	2693206-3	2693208-3	2693210-3	2693213-3	2693216-3
3.5	2693206-3.5	2693208-3.5	2693210-3.5	2693213-3.5	2693216-3.5
4.0	2693206-4	2693208-4	2693210-4	2693213-4	2693216-4

Chain sling assy 3-leg REMA-10 | masterlink RMA | clevis shortening hook RDG | clevis sling hook RCH



WLL (kg)	2.940 2.100	5.250 3.750	8.400 6.000	14.000 10.050	21.000 15.000
Length (m)	6 mm	8 mm	10 mm	13 mm	16 mm
1.0	2693306-1	2693308-1	2693310-1	2693313-1	2693316-1
1.5	2693306-1.5	2693308-1.5	2693310-1.5	2693313-1.5	2693316-1.5
2.0	2693306-2	2693308-2	2693310-2	2693313-2	2693316-2
2.5	2693306-2.5	2693308-2.5	2693310-2.5	2693313-2.5	2693316-2.5
3.0	2693306-3	2693308-3	2693310-3	2693313-3	2693316-3
3.5	2693306-3.5	2693308-3.5	2693310-3.5	2693313-3.5	2693316-3.5
4.0	2693306-4	2693308-4	2693310-4	2693313-4	2693316-4

Chain sling assy 3-leg REMA-10 | masterlink RMA | clevis shortening hook RDG | self locking clevis hook RCS

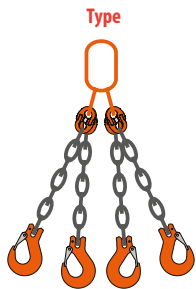


WLL (kg)	2.940 2.100	5.250 3.750	8.400 6.000	14.000 10.050	21.000 15.000
Length (m)	6 mm	8 mm	10 mm	13 mm	16 mm
1.0	2693406-1	2693408-1	2693410-1	2693413-1	2693416-1
1.5	2693406-1.5	2693408-1.5	2693410-1.5	2693413-1.5	2693416-1.5
2.0	2693406-2	2693408-2	2693410-2	2693413-2	2693416-2
2.5	2693406-2.5	2693408-2.5	2693410-2.5	2693413-2.5	2693416-2.5
3.0	2693406-3	2693408-3	2693410-3	2693413-3	2693416-3
3.5	2693406-3.5	2693408-3.5	2693410-3.5	2693413-3.5	2693416-3.5
4.0	2693406-4	2693408-4	2693410-4	2693413-4	2693416-4

REMA (G10) Chain slings assembly

Norm: EN1677 -1->4, PAS1065, EN818-1-2-4-6

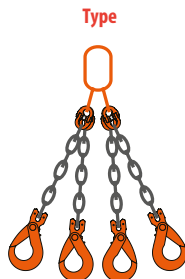
Chain sling assy 4-leg REMA-10 | masterlink RMA | clevis sling hook RCH



4-leg
RML-RCX-RCH

Type	WLL (kg)	2.940 2.100	5.250 3.750	8.400 6.000	14.000 10.050	21.000 15.000
	Length (m)	6 mm	8 mm	10 mm	13 mm	16 mm
1.0	2694106-1	2694108-1	2694110-1	2694113-1	2694116-1	
1.5	2694106-1.5	2694108-1.5	2694110-1.5	2694113-1.5	2694116-1.5	
2.0	2694106-2	2694108-2	2694110-2	2694113-2	2694116-2	
2.5	2694106-2.5	2694108-2.5	2694110-2.5	2694113-2.5	2694116-2.5	
3.0	2694106-3	2694108-3	2694110-3	2694113-3	2694116-3	
3.5	2694106-3.5	2694108-3.5	2694110-3.5	2694113-3.5	2694116-3.5	
4.0	2694106-4	2694108-4	2694110-4	2694113-4	2694116-4	

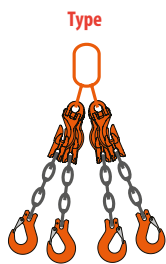
Chain sling assy 4-leg REMA-10 | masterlink RMA | self locking clevis hook RCS



4-leg
RML-RCX-RCS

Type	WLL (kg)	2.940 2.100	5.250 3.750	8.400 6.000	14.000 10.050	21.000 15.000
	Length (m)	6 mm	8 mm	10 mm	13 mm	16 mm
1.0	2694206-1	2694208-1	2694210-1	2694213-1	2694216-1	
1.5	2694206-1.5	2694208-1.5	2694210-1.5	2694213-1.5	2694216-1.5	
2.0	2694206-2	2694208-2	2694210-2	2694213-2	2694216-2	
2.5	2694206-2.5	2694208-2.5	2694210-2.5	2694213-2.5	2694216-2.5	
3.0	2694206-3	2694208-3	2694210-3	2694213-3	2694216-3	
3.5	2694206-3.5	2694208-3.5	2694210-3.5	2694213-3.5	2694216-3.5	
4.0	2694206-4	2694208-4	2694210-4	2694213-4	2694216-4	

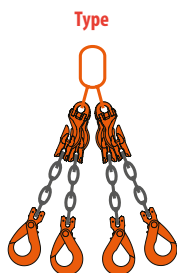
Chain sling assy 4-leg REMA-10 | masterlink RMA | clevis shortening hook RDG | clevis sling hook RCH



4-leg
RML-RDG-RCH

Type	WLL (kg)	2.940 2.100	5.250 3.750	8.400 6.000	14.000 10.050	21.000 15.000
	Length (m)	6 mm	8 mm	10 mm	13 mm	16 mm
1.0	2694306-1	2694308-1	2694310-1	2694313-1	2694316-1	
1.5	2694306-1.5	2694308-1.5	2694310-1.5	2694313-1.5	2694316-1.5	
2.0	2694306-2	2694308-2	2694310-2	2694313-2	2694316-2	
2.5	2694306-2.5	2694308-2.5	2694310-2.5	2694313-2.5	2694316-2.5	
3.0	2694306-3	2694308-3	2694310-3	2694313-3	2694316-3	
3.5	2694306-3.5	2694308-3.5	2694310-3.5	2694313-3.5	2694316-3.5	
4.0	2694306-4	2694308-4	2694310-4	2694313-4	2694316-4	

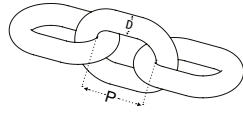
Chain sling assy 4-leg REMA-10 | masterlink RMA | clevis shortening hook RDG | self locking clevis hook RCS



4-leg
RML-RDG-RCS

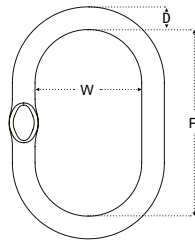
Type	WLL (kg)	2.940 2.100	5.250 3.750	8.400 6.000	14.000 10.050	21.000 15.000
	Length (m)	6 mm	8 mm	10 mm	13 mm	16 mm
1.0	2694406-1	2694408-1	2694410-1	2694413-1	2694416-1	
1.5	2694406-1.5	2694408-1.5	2694410-1.5	2694413-1.5	2694416-1.5	
2.0	2694406-2	2694408-2	2694410-2	2694413-2	2694416-2	
2.5	2694406-2.5	2694408-2.5	2694410-2.5	2694413-2.5	2694416-2.5	
3.0	2694406-3	2694408-3	2694410-3	2694413-3	2694416-3	
3.5	2694406-3.5	2694408-3.5	2694410-3.5	2694413-3.5	2694416-3.5	
4.0	2694406-4	2694408-4	2694410-4	2694413-4	2694416-4	

REMA 10 chain (Grade 10)



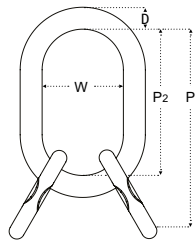
Type	WLL (kg)	BF (mm)	P (mm)	D (mm)	Weight (kg/pce/m)	ProductId
REMA 10-6	1.400	56.5	18	6	0.8	2610006
REMA 10-8	2.500	101	24	8	1.5	2610008
REMA 10-10	4.000	157	30	10	2.3	2610010
REMA 10-13	6.700	265	39	13	4.0	2610013
REMA 10-16	10.000	402	48	16	6.0	2610016
REMA 10-20	16.000	628	60	20	8.9	2610020

RML masterlink 1-2 leg (Grade 10)



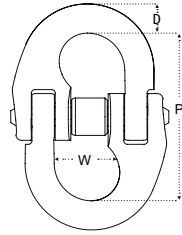
Type	WLL (kg)	P (mm)	D (mm)	W (mm)	Chain 1-leg (mm)	Chain 2-legs (mm)	Weight (kg/pce/m)	ProductId
RML-86	2.500	120	14.5	68	6/8	6	0.4	2631006
RML-108	4.000	140	16.5	78.5	10	8	0.7	2631010
RML-1310	7.500	160	22	93	13	10	1.5	2631013
RML-1613	10.000	195	26	108	16	13	2.3	2631016
RML-1916	17.000	250	35	140	19	16	5.1	2631018
RML-2220	28.000	250	42	150	22	20	7.7	2631022

RMA masterlink 3-4 leg (Grade 10)



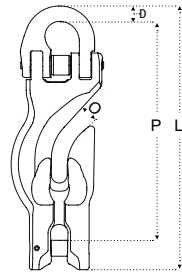
Type	WLL (kg)	P (mm)	D (mm)	P2 (mm)	W (mm)	Chain 3/4-legs (mm)	Weight (kg/pce/m)	ProductId
RMA-6	3.000	186	18.5	135	74.5	6	1.3	2633006
RMA-8	5.300	226	22	157	88.5	8	2.3	2633008
RMA-10	8.400	257	28	176	98	10	3.5	2633010
RMA-13	14.000	313	32.5	203	110	13	6.1	2633013
RMA-16	21.200	405	36	265	140	16	10.8	2633016
RMA-20	33.600	500	50	350	190	20	22.8	2633020

RCX connecting link (Grade 10)



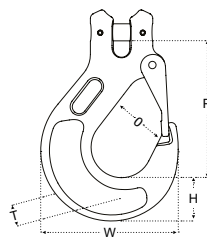
Type	WLL (kg)	P (mm)	D (mm)	W (mm)	Weight (kg/pc/m)	ProductId
RCX-6	1.400	45	7.5	16.4	0.1	2636006
RCX-8	2.500	61.5	10.5	22	0.2	2636008
RCX-10	4.000	72	12.5	23	0.3	2636010
RCX-13	6.700	89	17	27	0.7	2636013
RCX-16	10.000	103	21	33	1.2	2636016
RCX-20	16.000	116	24.5	42	2.13	2636020

RDG clevis shortening hook (Grade 10)



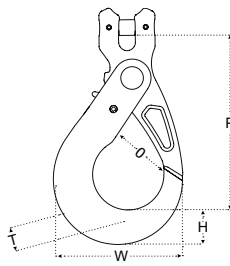
Type	WLL (kg)	P (mm)	D (mm)	O (mm)	L (mm)	Weight (kg/pc/m)	ProductId
RDG-6	1.400	108.4	7.7	8.7	130.5	0.4	2643006
RDG-8	2.500	139	11	10.4	167	0.8	2643008
RDG-10	4.000	175	13.3	12.4	207	1.6	2643010
RDG-13	6.700	213	16.7	16	257	3.0	2643013
RDG-16	10.000	257	20.7	18.9	315	5.4	2643016

RCH clevis sling hook (Grade 10)



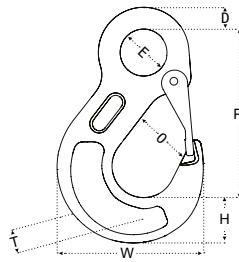
Type	WLL (kg)	P (mm)	T (mm)	H (mm)	O (mm)	W (mm)	Weight (kg/pc/m)	ProductId
RCH-6	1.400	72	16	21	19.8	68.3	0.3	2638006
RCH-8	2.500	87.3	19	27	26.3	86.8	0.7	2638008
RCH-10	4.000	102.5	26	34.3	28.2	105.6	1.2	2638010
RCH-13	6.700	129.5	33	42.5	39	131.5	2.3	2638013
RCH-16	10.000	157	40	49.7	45.6	159	4.1	2638016
RCH-20	16.000	241	64	56	52	-	7.3	2638020

RCS self locking clevis hook (Grade 10)



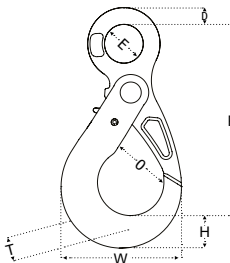
Type	WLL (kg)	P (mm)	T (mm)	H (mm)	O (mm)	W (mm)	Weight (kg/pc/m)	ProductId
RCS-6	1.400	94	15	20.6	27.0	72.4	0.5	2639006
RCS-8	2.500	118	20.5	26.7	35.3	90	0.8	2639008
RCS-10	4.000	139	26	30.6	45.5	106.3	1.4	2639010
RCS-13	6.700	174	32	40	51.5	136.8	3.0	2639013
RCS-16	10.000	215	38.6	48.2	60.8	169	5.8	2639016
RCS-20	16.000	235	64	62	76.5	192.5	8.6	2639020

REH eye hook with safety latch (Grade 10)



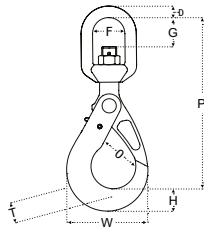
Type	WLL (kg)	P (mm)	D (mm)	E (mm)	T (mm)	H (mm)	O (mm)	W (mm)	Weight (kg/pc/m)	ProductId
REH-6	1.400	80.3	9.8	20.4	15.9	21	19.4	68.5	0.3	2644006
REH-8	2.500	97.4	11.3	24	18.8	28	27.5	88.3	0.5	2644008
REH-10	4.000	118.6	16.7	34	25	34	29.5	106.7	1.1	2644010
REH-13	6.700	153.5	18.8	42.4	33	43	38.8	135.2	2.2	2644013
REH-16	10.000	182	25.3	49.5	39.7	50	45.4	161	3.7	2644016

RES eye self locking hook (Grade 10)



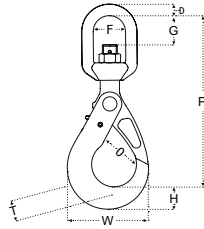
Type	WLL (kg)	P (mm)	D (mm)	E (mm)	T (mm)	H (mm)	O (mm)	W (mm)	Weight (kg/pc/m)	ProductId
RES-6	1.400	107.6	11.3	20.8	15.1	22.3	28.0	72	0.5	2645006
RES-8	2.500	135.4	12.1	27.2	20.2	25.7	35.5	89.5	0.8	2645008
RES-10	4.000	165	15.6	33.8	26.4	30	45.0	107.2	1.4	2645010
RES-13	6.700	202	20.5	40	32.2	41.8	51	138.8	2.9	2645013
RES-16	10.000	250	27.3	49.6	38.3	50	60	170	5.6	2645016

RSS swivel self locking hook (Grade 10)



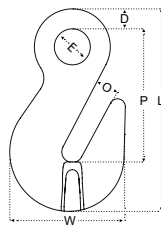
Type	WLL (kg)	P (mm)	D (mm)	F (mm)	G (mm)	T (mm)	H (mm)	O (mm)	W (mm)	Weight (kg/pc/m)	ProductId
RSS-6	1.400	150	11.3	32.8	25.7	15.1	21.6	26.8	72.2	0.7	2646006
RSS-8	2.500	182	13.5	36.8	27.5	20.5	26.6	35.5	89.3	1.2	2646008
RSS-10	4.000	220	15.8	41	35.9	26.7	31	44.1	106.9	2	2646010
RSS-13	6.700	265	17.4	47.8	40	32.5	42.3	50.5	137.5	3.7	2646013
RSS-16	10.000	332	21.2	69.5	56	38.9	50	59.6	169	7.3	2646016

RSBS swivel self locking hook (Grade 10) with bearing



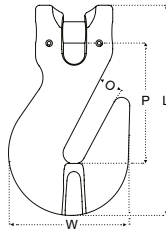
Type	WLL (kg)	P (mm)	D (mm)	F (mm)	G (mm)	T (mm)	H (mm)	O (mm)	W (mm)	Weight (kg/pc/m)	ProductId
RSBS-6	1.400	195	14	37	32	16	21.6	26.8	72.2	0.8	2646106
RSBS-8	2.500	202	15.0	41	39	20	26.6	35.5	89.3	1.2	2646108
RSBS-10	4.000	244	17.5	48	48	26	27.5	44.1	106.9	2.2	2646110
RSBS-13	6.700	292	19.0	55	57	32.5	40	50.5	137.5	4.4	2646113
RSBS-16	10.000	346	26	62	62	38	50	59.6	169	7.5	2646116

REG eye shortening grab hook (Grade 10)



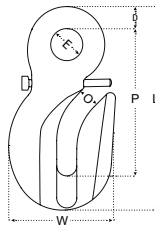
Type	WLL (kg)	P (mm)	D (mm)	E (mm)	L (mm)	O (mm)	W (mm)	Weight (kg/pc/m)	ProductId
REG-6	1.400	45.3	8.3	14.2	73.2	7.5	42.7	0.2	2648006
REG-8	2.500	60.3	9.7	18.2	92.5	11.0	53.5	0.3	2648008
REG-10	4.000	82.7	13.1	22	128	13.2	73.5	0.7	2648010
REG-13	6.700	103.5	16.1	26.8	165	16.5	96.7	1.7	2648013
REG-16	10.000	118	19.6	35.9	182	19.5	113.2	3.0	2648016
REG-20	16.000	147	23	43.5	227	24	143	4.72	2648020

RCG clevis shortening grab hook (Grade 10)



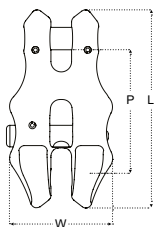
Type	WLL (kg)	P (mm)	L (mm)	O (mm)	W (mm)	Weight (kg/pc/m)	ProductId
RCG-6	1.400	43.9	77.3	7.5	41.6	0.2	2642006
RCG-8	2.500	52.2	92.6	10.3	53.3	0.4	2642008
RCG-10	4.000	72.3	126.5	13.3	72.2	0.9	2642010
RCG-13	6.700	90.0	163	16.7	96.2	1.9	2642013
RCG-16	10.000	101	185	19.3	112.3	3.3	2642016

REGS eye shortening grab hook with safety pin (Grade 10)



Type	WLL (kg)	P (mm)	D (mm)	E (mm)	L (mm)	O (mm)	W (mm)	Weight (kg/pc/m)	ProductId
REGS-8	2.500	74.3	12.0	15.9	110.6	10.5	55.6	0.5	2648108
REGS-10	4.000	91.5	14.5	20.6	134.5	13.3	69.8	1.0	2648110
REGS-13	6.700	120	20.4	26.9	175	15.9	91.6	2.2	2648113

RCCS clevis shortening clutch with safety pin (Grade 10)



Type	WLL (kg)	P (mm)	W (mm)	L (mm)	Weight (kg/pc/m)	ProductId
RCCS-8	2.500	63.3	91.5	50	0.4	2651008
RCCS-10	4.000	81.0	113	59	0.8	2651010
RCCS-13	6.700	105.0	149	79	1.7	2651013

REMA 10 drag chain (Grade 10)



Components

- 1 x RML-108 masterlink (art.no.: 2631010)
- 1 x REG-10 Eye shortening grab hook (art.no.:2648010)
- 1 x REMA-10 chain 10 x 30 x 5000 mm (art.no.: 2610010)
- 1 x RCH-10 clevis sling hook (art.no.: 2638010)
- 2 x RCX-10 connection link (art.no.: 2636010)
- 1 x REMA-10 tag (art.no.: 2690010)

Norm:

- EN 818, EN 1677, DIN 17115, DIN 5692

Type	WLL (kg)	ProductId
REMA 10-6	4.000	2629030



Chain loop with clevis hook



Shortening with shortening grab hook



Chain loop with masterlink



Chain loop with shortenings grab hook

REMA 10 safety tag 1-2-3-4 leg (Grade 10)



Norm:

- EN 818, EN 1677, DIN 17115, DIN 5692

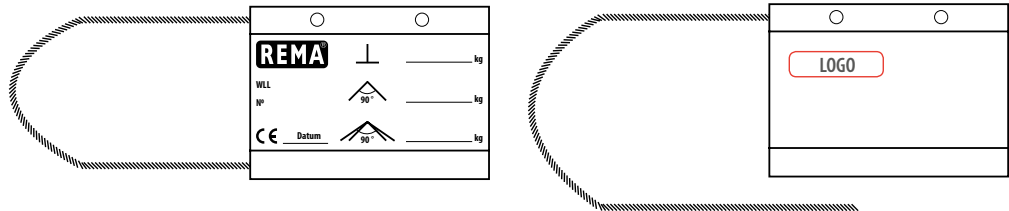
Type	Description	ProductId
R10L-1234	REMA-Tag for 1-2-3-4 leg chain slings	2690010

REMA aluminium TAG



Norm:

- EN 818, EN 1677, DIN 17115, DIN 5692



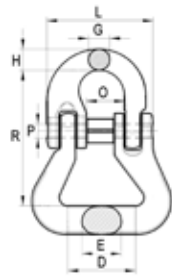
Type	Description	ProductId
REMA TAG	Aluminium tag	2690050

WCL webbing connecting link (Grade 10)



Norm:

- EN 818, EN 1677, DIN 17115, DIN 5692



Type	WLL (kg)	D (mm)	D (mm)	W (mm)	Weight (kg/pc/m)				ProductId	
WCL-8	2.500	30	18	10	11.5	18	66	6.3 x 53	0.3	2683008
WCL-10	4.000	40	22	12.6	12.6	22.5	81	8 x 63	0.6	2683010
WCL-13	6.700	50	27.5	16.7	19	27.5	104	10 x 79	1.1	2683013

RWSH Webbing sling hook with latch



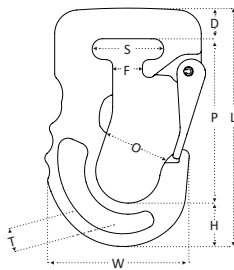
The REMA sling hook is ideal to use in combination with slings and round slings.

Properties

- Powder coated in the color of the sling according to EN 1492-1 and EN 1492-2.

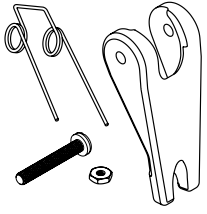
Norm:

- EN1677, PAS1065, EN1492-1/2



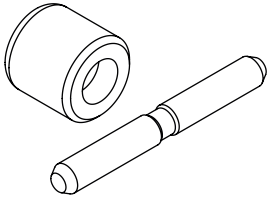
Type	WLL (kg)	P (mm)	D (mm)	L (mm)	F (mm)	S (mm)	T (mm)	H (mm)	O (mm)	W (mm)	Weight (kg/pc/m)	ProductId
RWSH-1	1.000	87	16	124	11.5	40.0	17	21	30	75.7	0.73	2652001
RWSH-2	2.000	103	18	148	18.5	44.5	21	27.0	39	90.0	1.27	2652002
RSWH-3	3.000	115	27	175	21.5	54.0	26	33	47	110.0	2.30	2652003

Galvanised safety latch for hook RWSH



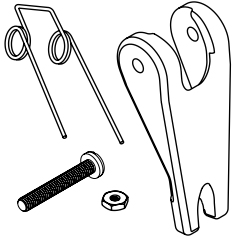
Type	ProductId
RWSH-1	2688501
RWSH-2	2688502
RWSH-3	2688503

RCX/RDG Galvanised sleeve + connex pin (Grade 10)



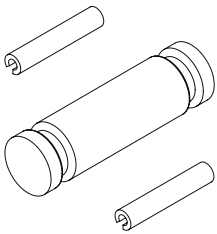
Type	ProductId
RCX/RDG-6	2688206
RCX/RDG-8	2688208
RCX/RDG-10	2688210
RCX/RDG-13	2688213
RCX/RDG-16	2688216

RCH/REH galvanised cast latch set (Grade 10)



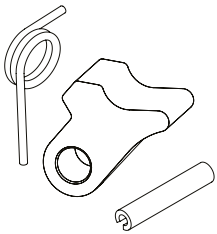
Type	ProductId
RCH/REH-6	2688006
RCH/REH-8	2688008
RCH/REH-10	2688010
RCH/REH-13	2688013
RCH/REH-16	2688016

RCH/RCS/RCG/RCCS borgpen (Grade 10)



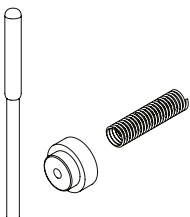
Type	ProductId
RCH/RCS/RCG/RCCS-6	2688306
RCH/RCS/RCG/RCCS-8	2688308
RCH/RCS/RCG/RCCS-10	2688310
RCH/RCS/RCG/RCCS-13	2688313
RCH/RCS/RCG/RCCS-16	2688316

RCS/RES/RSS trigger part safety hook (Grade 10)



Type	ProductId
RCS/RES/RSS-6	2688106
RCS/RES/RSS-8	2688108
RCS/RES/RSS-10	2688110
RCS/RES/RSS-13	2688113
RCS/RES/RSS-16	2688116

REGS safety pin (Grade 10)



Type	ProductId
REGS-8 PIN	2688406
REGS-10 PIN	2688410
REGS-13 PIN	2688413



REMA Stainless Steel Chain Sling (G6) information

Properties of REMA stainless steel (Grade 6)

- Usable in corrosive environments
- Usable at higher temperatures (-45°C to +350°C)

Applications

- Foodstuffs industry, corrosive environments, purification plants, fishery, meat-processing industry etc.


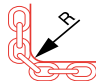

REMA stainless steel operating load table

		1-leg		2-leg		3/4-leg		Endless		
Safety factor		4								
Angle		-	-	0 - 45°	45° - 60°	0 - 45°	45° - 60°	-		
Load factor		1	0.8	1.4	1	1.12	0.8	1.6		
Code	d	WLL								
REMA - 6	6	900	720	1260	900	1008	720	1890	1350	1440
REMA - 7	7	1250	1000	1750	1250	1400	1000	2625	1875	2000
REMA - 8	8	1600	1280	2240	1600	1792	1280	3360	2400	2560
REMA - 10	10	2500	2000	3500	2500	2800	2000	5250	3750	4000
REMA - 13	13	4250	3400	5950	4250	4760	3400	8925	6375	6800

Standards applied according to: EN 818 and EN 1677.

General use

If chains and/or accessories are used under unusual or onerous conditions (extreme temperatures, asymmetric load, angled load or dynamic load). The values in the above table must be reduced by the load factors below.

Temperature	The use of REMA stainless steel products is not permitted in temperatures below -45°C or above +350°C		
Load factor of REMA stainless steel	1		
Asymmetric load distribution	Always assume a single strand; in case of doubt, always use a single strand as load factor.		
Angled load (d = thickness of the material)	R = greater than 2 x d 	R = greater than d 	R = less than d 
Load factor	1	0.7	0.5

Shock loads

Crane operators must take account of the hazard of shock loads. A chain may break due to a shock load even if the load is below the maximum operating load for this chain.

A high acceleration or shock load may be caused by a sudden movement of the crane. Avoid jerking, the phenomenon that happens when the chain is suddenly pulled straight with great force. Hazardous situations can arise due to sudden impact from falling loads.

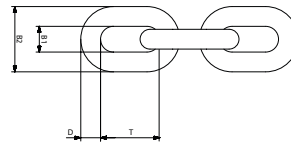
Shock loads	slight shocks	medium shocks	severe shocks
Load factor	1	0.7	not permitted

RC stainless steel chain AISI 316 (Grade 6)



Norm:

- EN1677, EN818-4



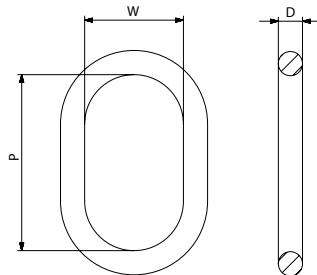
Type	WLL (kg)	BF (mm)	P (mm)	D (mm)	Weight (kg/pce/m)	ProductId
RC 6 x 18	900	8	22.2	6	18	2686006
RC 7 x 21	1.250	9.1	9	18	21	2686007
RC 8 x 24	1.600	10.4	29.6	8	24	2686008
RC 10 x 30	2.500	14	37	10	30	2686010
RC 13 x 39	4.250	16.9	48.1	13	39	2686013

RCM masterlink 1-2 leg AISI 316 (Grade 6)



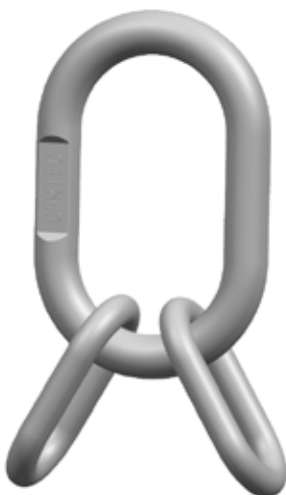
Norm:

- EN1677, EN818-4



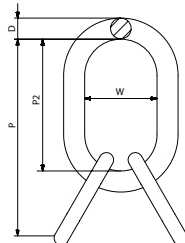
Type	WLL (kg)	P (mm)	D (mm)	W (mm)	Chain 1-leg (mm)	Chain 2-legs (mm)	Weight (kg/pce/m)	ProductId
RCM0706-7/6	1.600	110	13	60	6/7	6	0.34	2686106
RCM0807-8/7	1.600	110	13	60	8	-	0.34	2686107
RCM1008-7/8	2.600	110	16	60	10	7/8	0.53	2686108
RCM1310-13/10	4.250	135	18	75	13	10	0.80	2686110
RCM1613-16/13	6.300	160	22	90	16	13	1.50	2686113

RCMC masterlink 3-4 leg AISI 316 (Grade 6)



Norm:

- EN1677, EN818-4

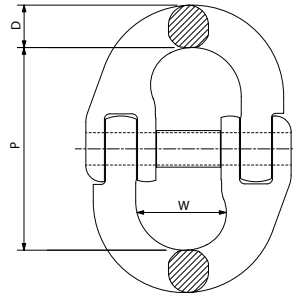


Type	WLL (kg)	P (mm)	D (mm)	P2 (mm)	W (mm)	Chain 3/4-legs (mm)	Weight (kg/pce/m)	ProductId
RCMC06-6MM	1.700	154	13	110	60	6	0.52	2686206
RCMC07-7MM	2.600	164	16	110	60	7	0.97	2686207
RCMC08-8MM	3.350	205	18	135	75	8	1.60	2686208
RCMC10-10MM	5.250	245	22	160	90	10	2.76	2686210
RCMC13-13MM	8.900	295	26	180	100	13	4.45	2686213

RCL C-link AISI 316 (Grade 6)



Norm:
- EN1677, EN818-4

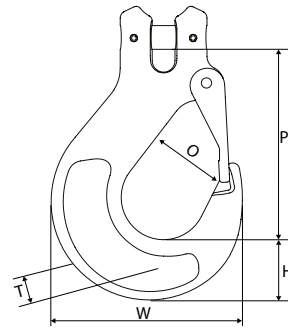


Type	WLL (kg)	P (mm)	D (mm)	W (mm)	Weight (kg/pc/m)	ProductId
RCL06-6MM	900	45	7.50	18	0.1	2686306
RCL07-7MM	1.250	50.5	9	20.5	0.2	2686307
RCL08-8MM	1.600	62	10	23.5	0.3	2686308
RCL10-10MM	2.500	72	12.6	27.5	0.7	2686310
RCL13-13MM	4.250	87.5	16.7	33.5	1.2	2686313

RCB clevis sling hook AISI 316 (Grade 6)



Norm:
- EN1677, EN818-4

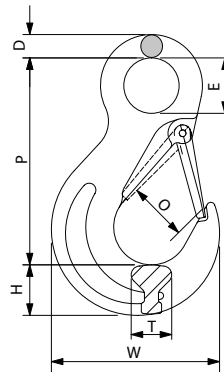


Type	WLL (kg)	P (mm)	T (mm)	H (mm)	O (mm)	W (mm)	Weight (kg/pc/m)	ProductId
RCB06SF-6/5MM	900	81	14	21	28	73	0.4	2686506
RCB07SF-7MM	1.250	112	20	30	38	102	0.8	2686507
RCB08SF-8MM	1.600	112	20	30	38	102	0.8	2686508
RCB10SF-10MM	2.500	123	28	34	46	119	1.5	2686510

RCA eye sling hook with latch AISI 316 (Grade 6)



Norm:
- EN1677, EN818-4

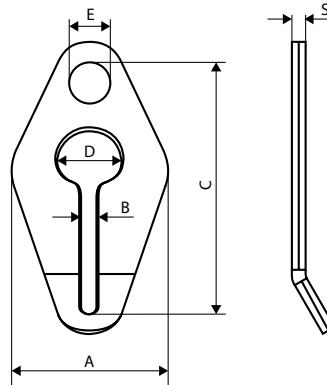


Type	WLL (kg)	P (mm)	D (mm)	E (mm)	T (mm)	H (mm)	O (mm)	W (mm)	Weight (kg/pc/m)	ProductId
RCA06SF-6/5MM	900	90	8	21	13.5	21	23	72	0.3	2686406
RCA08SF-8/7MM	1.600	118	13	27	19.5	29	27	103	0.6	2686408
RCA10SF-10MM	2.500	140	15	37	27	33	39	120	0.3	2686410
RCA13SF-13MM	4.250	182	18	48	35	46	51	155	2.2	2686413

RAC eye shortening grabhook AISI (Grade 6)



Norm:
- EN1677, EN818-4

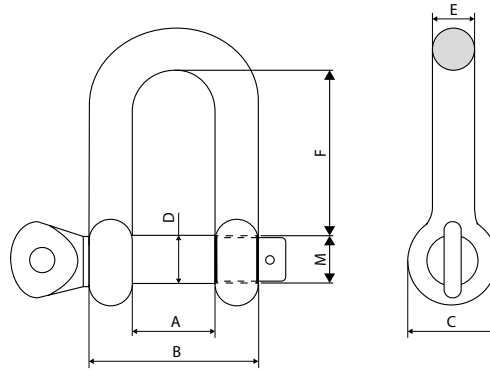


Type	WLL (kg)	A (mm)	B (mm)	C (mm)	D (mm)	E (mm)	S (mm)	Weight (kg/pc/m)	ProductId
RAC06-6/5	900	55	8	81	26	16	8.5	0.20	2686606
RAC08-8/7	1.600	71	11	110	34	22	10.5	0.57	2686608
RAC10-10	2.500	90	12	135	40	26	13	1.06	2686610
RAC13-13	4.250	112	17	170	52	32	16.5	2.20	2686613

RSH D-shackle AISI 316 (G6) AISI (Grade 6)



Norm:
- EN1677, EN818-4



Type	WLL (kg)	A (mm)	B (mm)	C (mm)	D (mm)	E (mm)	F (mm)	M (mm)	Weight (kg/pc/m)	ProductId
RSH005 500 KG	500	18	34	18	9	8	33	M10	0.07	2686901
RSH012 1250 KG	1.250	25	49	25	13	12	40	M14	0.22	2686903
RSH020 2000 KG	2.000	32	64	32	17	16	60	M18	0.52	2686905
RSH032 3200 KG	3.200	41	79	47	21	19	78	M22	0.80	2686907
RSH050 5000 KG	5.000	56	106	60	29	25	109	M30	2.20	2686909

RTI label AISI 316 (Grade 6)



Norm:
- EN1677, EN818-4

Type	Description	ProductId
RTI01	Stainless steel tag 1-leg chain sling	2690020
RTI02 2-3-4	Stainless steel tag 2-3-4-leg chain sling	2690021

Lifting points (Grade 10)	122
Lifting points (Grade 8)	127
Lifting points C-15E	130



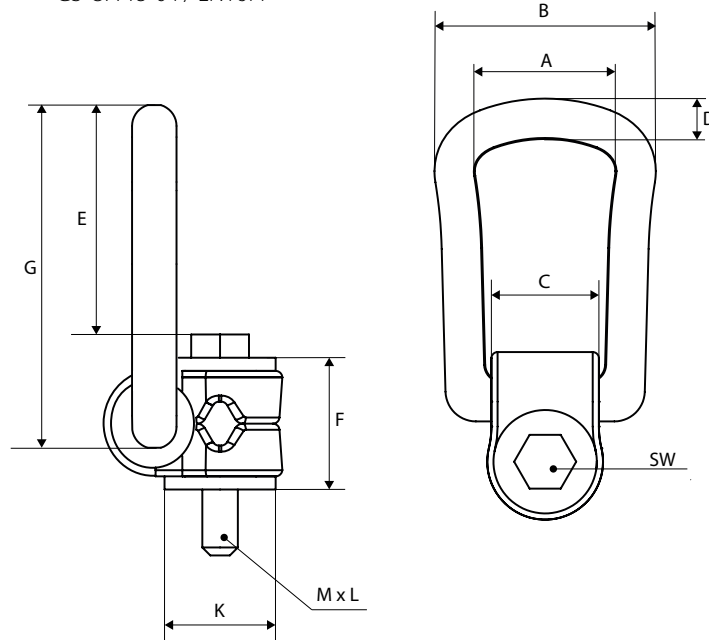
C806X lifting point (Grade 10)



Rotatable through 360°, foldable 90°.
 Not rotatable under load.
 4 times secure and safe in any direction.

Norm:

- GS-OA 15-04 / EN1677



Type	WLL (kg)	A (mm)	B (mm)	C (mm)	D (mm)	E (mm)	G (mm)	K (mm)	M (mm)	L (mm)	SW (mm)	Weight (kg/pc/m)	ProductId
C806X-M8x15-0.3T	300	34	57	24	10	43	78	25	M8	15	13	0,275	2611208
C806X-M10x15-0.63T	630	34	57	24	10	42	78	25	M10	15	17	0,290	2611210
C806X-M12x23-1.0T	1.000	38	66	30	13.5	40	85	32	M12	23	19	0,500	2611212
C806X-M16x24-1.5T	1.500	38	66	30	13.5	38	85	32	M16	24	24	0,510	2611216
C806X-M20x31-2.5T	2.500	55	87	48	16	54	111	45	M20	31	30	1,250	2611220
C806X-M24x37-4.0T	4.000	55	87	48	16	51	111	45	M24	37	36	1,300	2611224
C806X-M30x45-5.0T	5.000	66	109	54	22.5	62	145	60	M30	45	46	3,250	2611230
C806X-M36x50-7.0T	7.000	66	109	54	22.5	60	145	60	M36	50	55	3,300	2611236
C806X-M42x75-10T	10.000	78	136	62	28	86	190	70	M42	75	65	6,500	2611242
C806X-M42x63-15T	15.000	97	169	68	36	121	242	85	M42	63	65	11,200	2611243
C806X-M48x71-20T	20.000	97	169	68	36	117	242	95	M48	71	75	11,600	2611248

C811X/C812X Lifting point (Grade 10)



C811X

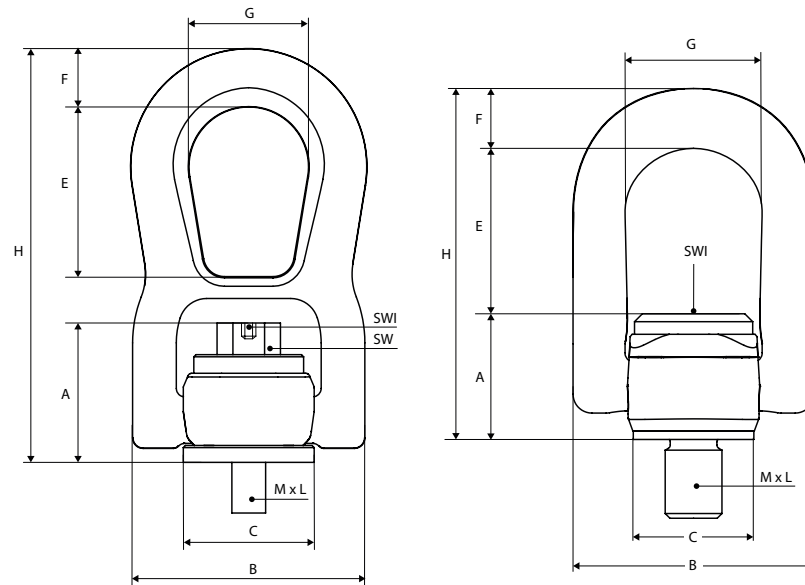


C812X

Rotatable through 360°, foldable 90°.
 Type C811 has a safety coefficient 5 in all loading directions.
 Type C812 has a safety coefficient 4 in all loading directions.
 Not rotatable under load.

Norm:

- GS-OA 15-04 / EN1677



Type	WLL (kg)	A (mm)	B (mm)	C (mm)	E (mm)	F (mm)	G (mm)	H (mm)	M (mm)	L (mm)	SW (mm)	SWI (mm)	Weight (kg/pc/m)	ProductId
C811X-M8x12-0.3T	300	33.5	56	30	40	14	28	99	M8	12	13	5	0,375	2611308
C811X-M10x15-0.6T	600	34.5	56	30	40	14	28	99	M10	15	17	6	0,375	2611310
C811X-M12x18-1.0T	1.000	35.5	56	30	40	14	28	99	M12	18	19	7	0,375	2611312
C811X-M14x21-1.3T	1.300	46	74.5	47	55	18	38	135.5	M14	21	22	7	1,030	2611314
C811X-M16x25-1.6T	1.600	46.5	74.5	47	55	18	38	135.5	M16	25	24	10	1,040	2611316
C811X-M18x27-2.0T	2.000	47	74.5	47	55	18	38	135.5	M18	27	27	10	1,070	2611318
C811X-M20x30-2.5T	2.500	43	79	45	55	25	38	138	M20	30	24	10	1,080	2611320
C811X-M22x33-3.0T	3.000	63.5	106	62	84	25	56	198.5	M22	33	32	12	4,000	2611322
C811X-M24x36-4.0T	4.000	64.5	106	62	84	25	56	198.5	M24	36	36	14	4,000	2611324
C811X-M27x40-5.0T	5.000	66.5	106	62	84	25	56	198.5	M27	40	41		4,000	2611327
C811X-M30x45-6.3T	6.300	68	106	62	84	25	56	198.5	M30	45	46	17	4,000	2611330
C812X-M36x54-10T	10.000	80	150	76.5	108	32	85	220	M36	54	-	17	6,000	2611336
C812X-M42x63-12.5T	12.500	80	150	76.5	108	32	85	220	M42	63	-	17	6,000	2611342
C812X-M48x68-17T	17.000	90	176	95	128	39	100	257	M48	68	-	17	10,500	2611348
C812X-M56x78-25T	25.000	90	176	95	128	39	100	257	M52	78	-	17	10,500	2611356
C812X-M64x90-35T	35.000	105	200	110	126	46	113	277	M64	90	-	19	16,300	2611364

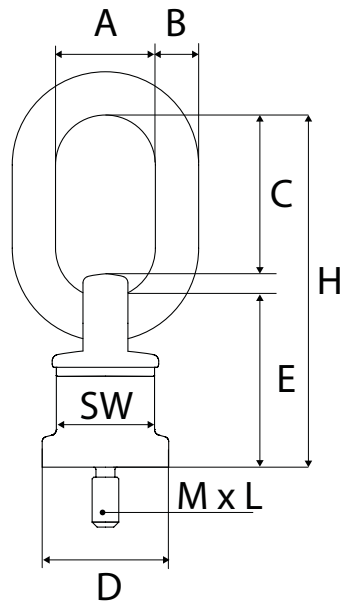
C800X lifting points (Grade 10)



Rotatable through 360°, foldable 180°.
 Rotates into the correct lifting direction.
 Coefficient 4 in all loading directions.

Norm:

- GS-OA 15-04 / EN1677



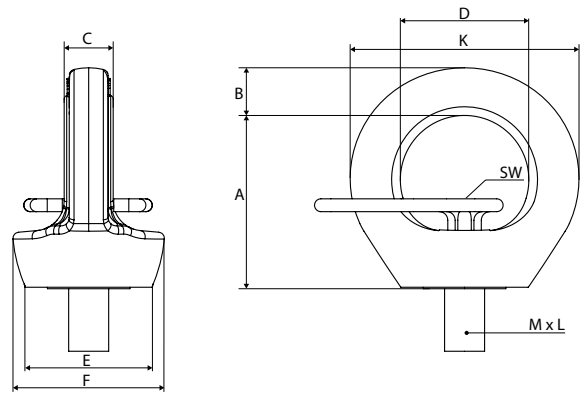
Type	WLL (kg)	A (mm)	B (mm)	C (mm)	D (mm)	E (mm)	H (mm)	M x L (mm)	SW (mm)	Weight (kg/pc/m)	ProductId
C800X-M8x18-0.3T	300	30	13	46	38	50	105	8 x 16	30	0.48	2611108
C800X-M10x18-0.5T	500	30	13	46	38	50	105	10 x 18	30	0.48	2611110
C800X-M12x18-0.7T	700	30	13	46	38	50	105	12 x 18	30	0.50	2611112
C800X-M16x24-1.4T	1.400	30	13	46	38	50	105	16 x 20	30	0.53	2611116
C800X-M20x30-2.5T	2.500	34	16	57	50	61	131	20 x 30	40	1.05	2611120
C800X-M24x30-4.0T	4.000	40	18	70	58	68	153	24 x 30	48	1.63	2611124
C800X-M30x35-6.7T	6.700	45	22	65	80	71	156	30 x 35	70	2.85	2611130
C800X-M36x54-10T	10.000	50	23	91	90	86	200	36 x 54	80	4.62	2611136
C800X-M42x63-12.5T	12.500	50	23	91	90	86	200	42 x 63	80	5.20	2611142
C800X-M48x72-12.5T	12.500	50	23	91	90	86	200	48 x 72	80	5.20	2611148

C807X+KEY lifting points (Grade 10)



Rotatable through 360°.
Tighten hand-tight in load direction.
Safety coefficient 4 in all loading directions.
Not rotatable under load.

Norm:
- GS-OA 15-04 / EN1677



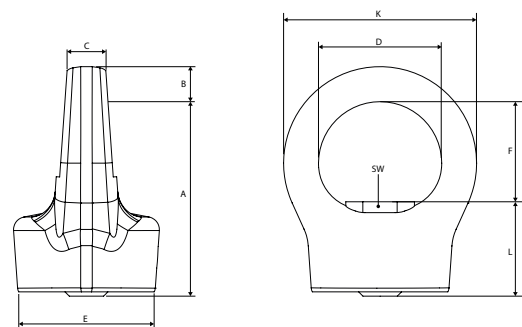
Type	WLL (kg)	A (mm)	B (mm)	C (mm)	D (mm)	E (mm)	K (mm)	M x L (mm)	SW (mm)	Weight (kg/pc/m)	ProductId
C807X+KEY-M8x12-0.3T	300	44.5	8	10	29	32	45	M8 x 12	6	0.300	2611408
C807X+KEY-M10x15-0.4T	400	44.5	8	10	29	32	45	M10 x 16	6	0.300	2611410
C807X+KEY-M12x23-0.75T	750	53.5	11	11	34	44	56	M12 x 18	7	0.460	2611412
C807X+KEY-M16x24-1.5T	1.500	56.5	13	14.5	39	56	65	M16 x 24	8	0.900	2611416
C807X+KEY-M20x30-2.3T	2.300	67	14	17	42	58	70	M20 x 30	10	1.150	2611420
C807X+KEY-M24x36-3.2T	3.200	80	18	19	52	73	88	M24 x 36	12	2.050	2611424
C807X+KEY-M30x45-4.5T	4.500	101	22	27	62	80	106	M30 x 43	17	3.120	2611430
C807X+KEY-M36x54-7.0T	7.000	125	37	38	80	95	154	M36 x 54	22	6.700	2611436
C807X+KEY-M42x63-9.0T	9.000	148	40	41	90	105	170	M42 x 64	24	9.500	2611442
C807X+KEY-M48x72-12T	12.000	165	45	47	95	120	185	M48 x 72	27	13.550	2611448

C810FX lifting points (Grade 10)



Rotatable through 360°.
Tighten hand-tight in load direction.
Safety coefficient 4 in all loading directions.
Not rotatable under load.

Norm:
- GS-OA 15-04 / EN1677



Type	WLL (kg)	A (mm)	B (mm)	C (mm)	D (mm)	E (mm)	F (mm)	KL (mm)	M x L (mm)	SW (mm)	Weight (kg/pc/m)	ProductId
C810FX-M8-0.3T	300	44.5	8	10	29	32	23	45	M8 x 21.5	13	0.17	2611508
C810FX-M10-0.4T	400	44.5	8	10	29	32	23	45	M10 x 21.5	14	0.20	2611510
C810FX-M12-0.75T	750	53.5	11	11	34	44	27	56	M12 x 26.5	16	0.39	2611512
C810FX-M16-1.5T	1.500	59.5	13	14.5	39	56	29	65	M16 x 30.5	21	0.69	2611516
C810FX-M20-2.3T	2.300	67	14	17	42	58	34	70	M20 x 33.0	26	0.71	2611520
C810FX-M24-3.2T	3.200	80	18	19	52	73	40	30	M24 x 40.0	30	1.70	2611524
C810FX-M30-4.5T	4.500	101	22	27	62	80	50	106	M30 x 51.0	36	2.44	2611530

C835X lifting eye with fixing screws (Grade 10)



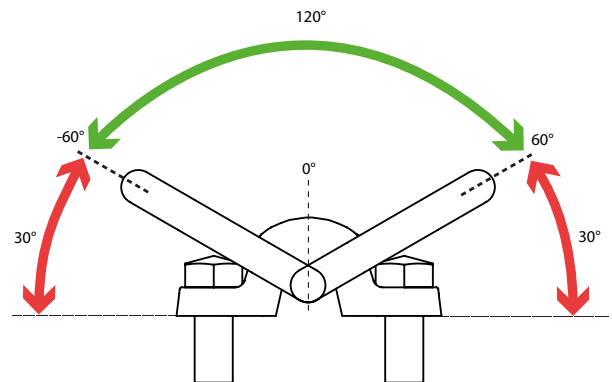
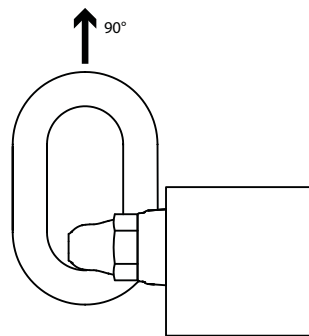
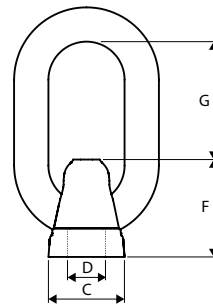
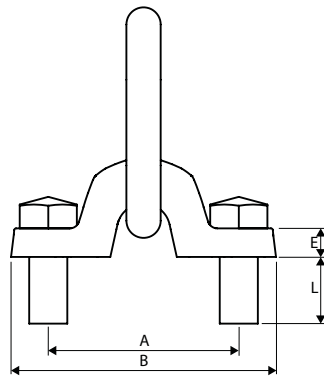
120° Foldable. Can be loaded in a tilting device. For bolt mounting on machine parts or truck construction, Ideal for hooking and lashing equipment.

Option

- Higher Capacity on request.

Norm:

- GS-OA 15-04 / EN1677



Type	WLL (kg)	A (mm)	B (mm)	C (mm)	D (mm)	E (mm)	F (mm)	G (mm)	L (mm)	Dimension eye (mm)	Weight (kg/pc/m)	ProductId
C835-M20-4000KG	4.000	100	138	39	21.5	15	57	61	35	18 x 85 x 40	1.20	2676110
C835-M24-6700KG	6.700	120	165.5	48	25.5	19	63	87	41	22 x 115 x 50	2.50	2676113
C835-M30-10T	10.000	160	216	62	31.5	25	78	106	45	26 x 140 x 65	7.10	2676116
C835-M36-16T	16.000	177	250	69	37	29	90	112	61	32 x 150 x 70	7.50	2676119

Screw suspension eye DSR/DSS UP

Rotatable through 360°, foldable 90°.
Rotatable under load.

Norm:

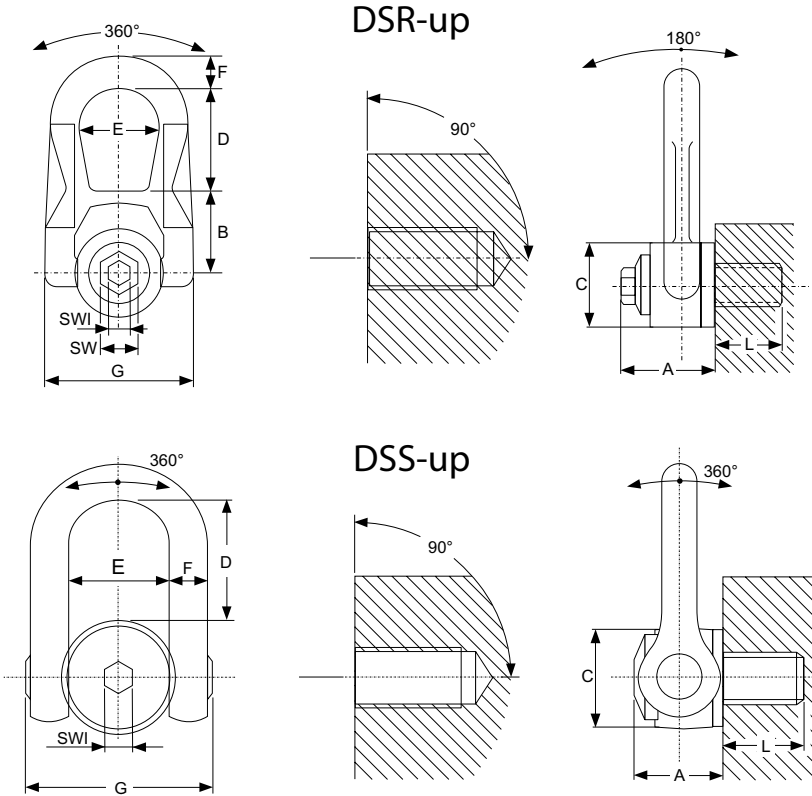
- EN1677, ASME-B30,26



DSR-up



DSS-up



Type	WLL (kg)	A (mm)	B (mm)	C (mm)	D (mm)	E (mm)	F (mm)	G (mm)	L (mm)	SWI (mm)	SW (mm)	Weight (kg/pc/m)	ProductId
DSR-UP M8/400KG	400	33	30	30	38	27	14	53	15	8	16	0.30	2674108
DSR-UP M10/700KG	700	33	30	30	38	27	14	53	18	8	16	0.30	2674110
DSR-UP M12/1050KG	1.050	33	30	30	38	27	14	53	21	8	16	0.30	2674112
DSR-UP M14/1400KG	1.400	45	40	45	53	38	17	76	23	8	20	0.90	2674114
DSR-UP M16/2000KG	2.000	45	40	45	53	38	17	76	27	8	20	0.90	2674116
DSR-UP M18/2300KG	2.300	45	40	45	53	38	17	76	27	8	20	0.90	2674118
DSR-UP M-20/2500KG	2.500	45	40	45	53	38	17	76	30	8	20	0.90	2674120
DSR-UP M-22/3500KG	3.500	62	55	60	83	55	25	115	33	14	24	2.60	2674122
DSR-UP M24/4400KG	4.400	62	55	60	83	55	25	115	36	14	24	2.60	2674124
DSR-UP M30/6300KG	6.300	62	55	60	83	55	25	115	45	14	24	2.70	2674130
DSR-UP M36/8000KG	8.000	80	77	78	98	71	26	141	54	14	30	5.40	2674136
DSR-UP M42/8500KG	8.500	80	77	78	98	71	26	141	63	14	30	5.50	2674142
DSS-UP M36/11000KG	11.000	61	31	70	104	73	149	33	54	19	-	5.50	2674236
DSS-UP M42/13.000KG	13.000	61	31	70	104	73	149	33	68	19	-	11.00	2674242
DSS-UP M56/22.000KG	22.000	79	38	90	125	91	182	45	78	19	-	11.3	2674256
DSS-UP M64/25.000KG	25.000	79	38	95	125	91	182	45	90	19	-	12.2	2674264

EOB eye-bolt (Grade 8)



High-alloyed steel eyebolt. Eye bolts may only be tightened by hand.
Safe workload, under a maximum angle of 60° as shown.
The lifting eye must not be loaded sideways.

Norm:
- EN1677

Type	WLL (kg)	A (mm)	B (mm)	C (mm)	D (mm)	M (mm)	Weight (kg/pc/m)	ProductId
EOB08	400	34	7	20	24	M8 x 1,25	0.05	2675108
EOB10	700	38	8	22	30	M10 x 1,50	0.08	2675110
EOB12	1000	47	10	26	36	M12 x 1.75	0.14	2675112
EOB14	1200	57	14	29	40	M14 x 2.00	0.25	2675114
EOB16	1500	65	14	35	55	M16 x 2.00	0.36	2675116
EOB18	2000	65	14	35	54	M18 x 2.00	0.38	2675118
EOB20	2500	73	16	39	59	M20 x 2.50	0.55	2675120
EOB24	4000	95	20	54	84	M24 x 3.00	1.12	2675124
EOB27	5000	95	20	54	84	M27 x 3.00	1.18	2675127
EOB30	6000	108	24	59	100	M30 x 3.50	1.84	2675130
EOB36	8000	118	25	67	118	M36 x 4.00	2.44	2675136
EOB42	10.000	139	31	79	135	M42 x 4.50	3.97	2675142

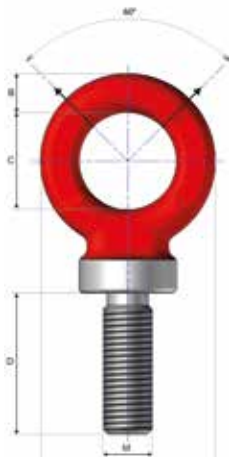
Eye-bolt (DIN-580)



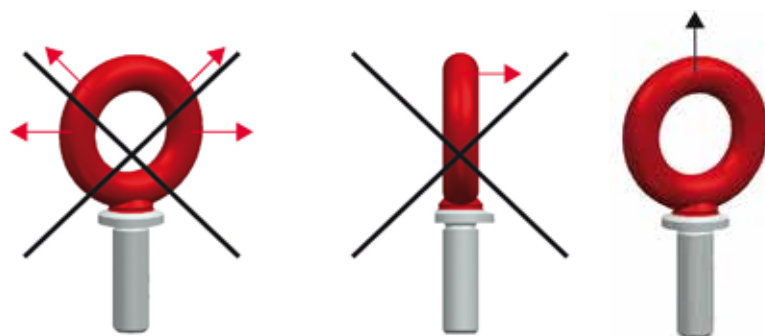
High-alloyed steel eyebolt. Eye bolts may only be tightened by hand.
Safe workload, under a maximum angle of 60° as shown.
The lifting eye must not be loaded sideways.

Norm:
- EN1677, DIN580

Type	WLL (kg)	A (mm)	B (mm)	C (mm)	D (mm)	M (mm)	Weight (kg/pc/m)	ProductId
DIN580-G8-M8	400	34	7	20	13	M8 x 1,25	0.05	2675308
DIN580-G8-M10	700	38	8	22	17	M10 x 1,50	0.07	2675310
DIN580-G8-M12	1000	47	10	26	21	M12 x 1.75	0.13	2675312
DIN580-G8-M16	1500	64	14	35	27	M16 x 2.00	0.34	2675316
DIN580-G8-M20	2500	73	16	39	30	M20 x 2.50	0.52	2675320
DIN580-G8-M24	4000	95	20	54	36	M24 x 3.00	0.99	2675324



Workload directions



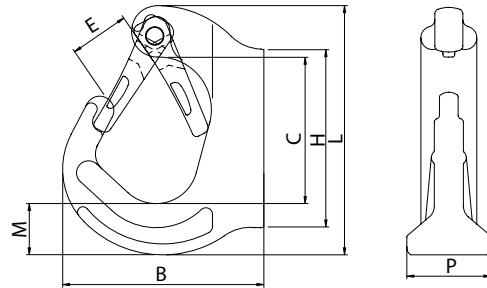
AH welding hooks (Grade 8)



Welding hooks can be used on trucks, trailers, excavators, draglines, cross beams etc. REMA welding hooks are fitted with stable and strong safety latches. All hooks have a powder coated surface.

Norm:

- EN1677-1, EN25817, EN287-1



Type	WLL (kg)	B (mm)	C (mm)	E (mm)	H (mm)	L (mm)	M (mm)	P (mm)	Weight (kg/pc/m)	ProductId
AH-1.0	1000	79	65	25	92	102	25	25.0	0.5	2672501
AH-3.0	3000	105	75	29	116	128	30	36.0	1.2	2672503
AH-5.0	5000	131	97	36	159	171	45	42.5	2.5	2672505
AH-8.0	8000	136	94	36	159	177	44	51.0	3.3	2672507

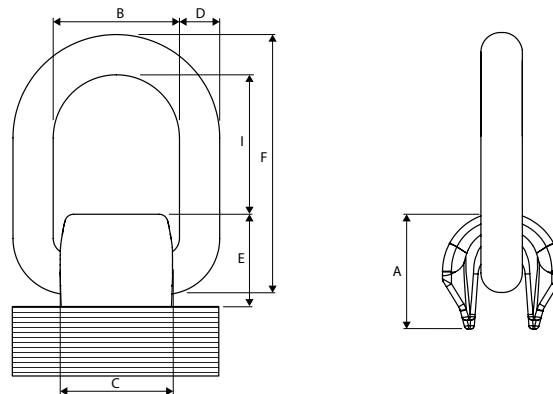
C804 Weldable eye (Grade 8)



Red finish. For welding on machine parts or truck chassis. Ideal for anchoring and cargo fixation. Adhere to welding requirements!

Norm:

- EN1677



Type	WLL (kg)	A (mm)	B (mm)	D (mm)	D (mm)	E (mm)	F (mm)	I (mm)	Weight (kg/pc/m)	ProductId
C80401M-1.12	1.120	35	41	36	13	28	66	40	0.39	2677101
C80402M-2	2.000	38	42	39	13	33	74	44	0.51	2677102
C80403M-3.15	3.150	42	45	43	17	34	80	49	0.70	2677103
C80405M-5.3	5.300	60	55	50	22	44	95	55	1.50	2677105
C80408M-8	8.000	70	70	65	26	53	108	70	2.60	2677108
C80415M-15	15.000	90	97	90	34	73	155	92	5.85	2677115



Eye bolt type C-15E



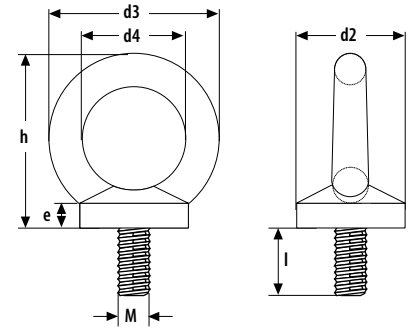
The safe working load is only suitable for hoisting and pulling in line.
The lifting eye must not be loaded sideways. Material C-15E.

IMPORTANT!

- Only use in a straight lifting position.

Norm:

- DIN580



Type	WLL (kg)	D2 (mm)	D3 (mm)	D4 (mm)	E (mm)	H (mm)	L (mm)	M (mm)	Weight (kg/pc/m)	ProductId
DIN-580 C15E-M8	140	20	36	20	6	36	13	8	0.06	3015101
DIN-580 C15E-M10	230	25	45	25	8	45	17	10	0.11	3015103
DIN-580 C15E-M12	340	30	54	30	10	53	20.5	12	0.18	3015105
DIN-580 C15E-M14	490	35	63	35	12	60	27	14	0.28	3015107
DIN-580 C15E-M16	700	35	63	35	12	62	27	16	0.28	3015109
DIN-580 C15E-M20	1200	40	72	40	14	71	30	20	0.43	3015111
DIN-580 C15E-M24	1800	50	90	50	18	90	36	24	0.84	3015113
DIN-580 C15E-M27	2500	50	90	50	18	90	36	27	1.22	3015115
DIN-580 C15E-M30	3200	65	108	60	22	109	45	30	1.66	3015117
DIN-580 C15E-M36	4600	75	196	70	26	128	54	36	2.65	3015119

Eye nut type C-15E



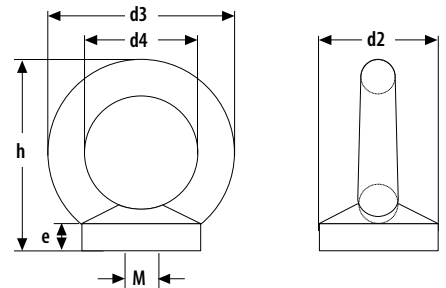
The safe working load is only suitable for hoisting and pulling in line.
The lifting eye must not be loaded sideways. Material C-15E.

IMPORTANT!

- Only use in a straight lifting position.

Norm:

- DIN582



Type	WLL (kg)	D2 (mm)	D3 (mm)	D4 (mm)	E (mm)	H (mm)	M (mm)	Weight (kg/pc/m)	ProductId
DIN-582 C15E-M8	140	20	36	20	8.5	36	8	0.6	3017101
DIN-582 C15E-M10	230	25	45	25	10	45	10	0.1	3017103
DIN-582 C15E-M12	340	30	54	30	11	53	12	0.16	3017105
DIN-582 C15E-M14	490	35	63	35	13	62	14	0.24	3017107
DIN-582 C15E-M16	700	35	63	35	13	62	16	0.24	3017109
DIN-582 C15E-M20	1200	40	72	40	16	71	20	0.36	3017111
DIN-582 C15E-M24	1800	50	90	50	20	90	24	0.71	3017113
DIN-582 C15E-M27	2500	50	90	50	20	90	27	1.1	3017115
DIN-582 C15E-M30	3200	65	108	60	25	109	30	1.32	3017117
DIN-582 C15E-M36	4600	75	126	70	30	128	36	2.08	3017119

Bow- and D-shackles G6

132

Swivel- or eye hook G8

136



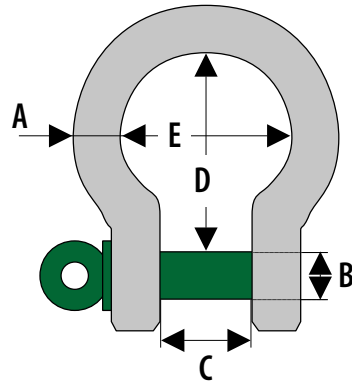
Bow shackle with screwpin G-4161



Safety factor 6. Galvanized steel with a high tensile strength suitable for temperatures between -20°C and $+200^{\circ}\text{C}$. Equipped with screwpin.

Norm:

- EN13889



Type	WLL (kg)	A (mm)	B (mm)	C (mm)	D (mm)	E (mm)	Weight (kg/pc/m)	ProductId
G4161-1/4	500	7	8	12	29	20	0.06	3011001
G4161-5/16	750	9	10	13.5	32	21	0.11	3011003
G4161-3/8	1000	10	11	16.1	36	26	0.15	3011005
G4161-7/16	1500	11	13	18	43	29	0.21	3011007
G4161-1/2	2000	13,5	16	22	51	32	0.37	3011009
G4161-5/8	3250	16	19	27	64	43	0.65	3011011
G4161-3/4	4750	19	22	31	76	51	1.06	3011013
G4161-7/8	6500	22	25	36	83	58	1.56	3011015
G4161-1	8500	25	28	43	95	68	2.32	3011017
G4161-1.1/8	9500	28	32	47	108	75	3.28	3011018
G4161-1.1/4	12000	32	35	51	115	83	4.51	3011019
G4161-1.3/8	13500	35	38	57	133	92	5.93	3011020
G4161-1.1/2	17000	38	42	60	146	99	7.89	3011021
G4161-1.3/4	25000	45	50	74	178	126	13.4	3011023
G4161-2	35000	50	57	83	197	138	18.15	3011025
G4161-2.1/4	42500	57	65	95	222	160	26.29	3011027
G4161-2.1/2	55000	65	70	105	260	180	37.6	3011029

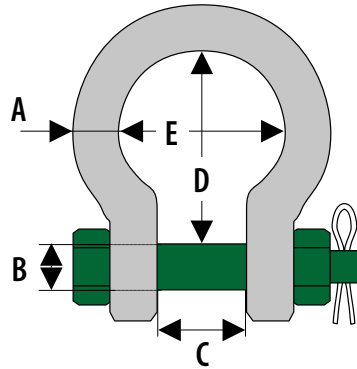
Bow shackle with nut-bolt secured by split pin G-4163



Safety factor 6. Galvanized steel with a high tensile strength suitable for temperatures between -20 ° C and + 200 ° C. Equipped with nut-bolt secured by split pin.

Norm:

- EN13889



Type	WLL (kg)	A (mm)	B (mm)	C (mm)	D (mm)	E (mm)	Weight (kg/pc/m)	ProductId
G4163-1/4	500	7	8	12	29	20	0.06	3012001
G4163-5/16	750	9	10	13.5	32	21	0.11	3012003
G4163-3/8	1000	10	11	16.1	36	26	0.16	3012005
G4163-7/16	1500	11	13	18	43	29	0.22	3012007
G4163-1/2	2000	13.5	16	22	51	32	0.42	3012009
G4163-5/8	3250	16	19	27	64	43	0.74	3012011
G4163-3/4	4750	19	22	31	76	51	1.18	3012013
G4163-7/8	6500	22	25	36	83	58	1.77	3012015
G4163-1	8500	25	28	43	95	68	2.58	3012017
G4163-1.1/8	9500	28	32	47	108	75	3.66	3012018
G4163-1.1/4	12000	32	35	51	115	83	4.91	3012019
G4163-1.3/8	13500	35	38	57	133	92	6.54	3012020
G4163-1.1/2	17000	38	42	60	146	99	8.19	3012021
G4163-1.3/4	25000	45	50	74	178	126	14.22	3012023
G4163-2	35000	50	57	83	197	138	19.85	3012025
G4163-2.1/4	42500	57	65	95	222	160	28.33	3012027
G4163-2.1/2	55000	65	70	105	260	180	39.60	3012029

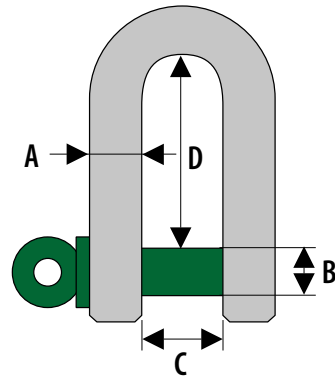
D-shackle with screwpin type G-4151



Safety factor 6. Galvanized steel with a high tensile strength suitable for temperatures between -20 °C and + 200 °C. Equipped with screwpin.

Norm:

- EN13889



Type	WLL (kg)	A (mm)	B (mm)	C (mm)	D (mm)	Weight (kg/pc/m)	ProductId
G4151-1/4	500	7	8	12	25	0.06	3013001
G4151-5/16	750	9	10	13.5	27	0.11	3013003
G4151-3/8	1000	10	11	16.1	31	0.16	3013005
G4151-7/16	1500	11	13	18	37	0.21	3013007
G4151-1/2	2000	13,5	16	22	43	0.37	3013009
G4151-5/8	3250	16	19	27	51	0.65	3013011
G4151-3/4	4750	19	22	31	59	1.06	3013013
G4151-7/8	6500	22	25	36	73	1.56	3013015
G4151-1	8500	25	28	43	85	2.32	3013017
G4151-1.1/8	9500	28	32	47	90	3.28	3013019
G4151-1.1/4	12000	32	35	51	94	4.51	3013021
G4151-1.3/8	13500	35	38	57	115	5.93	3013023
G4151-1.1/2	17000	38	42	60	127	7.89	3013025
G4151-1.3/4	25000	45	50	74	149	13.4	3013027
G4151-2	35000	50	57	83	171	16.86	3013029
G4151-2.1/4	42500	57	65	95	190	24.56	3013031
G4151-2.1/2	55000	65	70	105	203	32.65	3013033

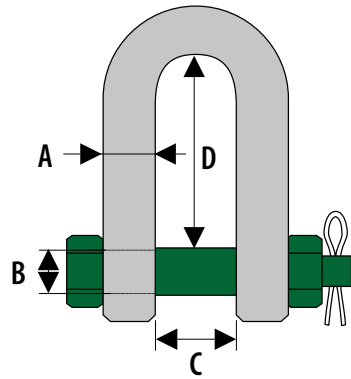
D-shackle with nut-bolt secured by split pin type G-4153



Safety factor 6. Galvanized steel with a high tensile strength suitable for temperatures between -20 °C and + 200 °C. Equipped with nut-bolt secured by split pin.

Norm:

- EN13889



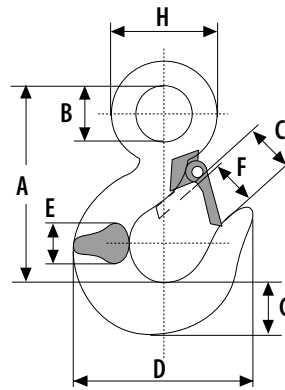
Type	WLL (kg)	A (mm)	B (mm)	C (mm)	D (mm)	Weight (kg/pc/m)	ProductId
G4153-1/2	2000	13	16	22	43	0.37	3014009
G4153-5/8	3250	16	19	27	51	0.65	3014011
G4153-3/4	4750	19	22	31	59	1.06	3014013
G4153-7/8	6500	22	25	36	73	1.56	3014015
G4153-1	8500	25	28	43	85	2.32	3014017
G4153-1.1/8	9500	28	32	47	90	3.28	3014019
G4153-1.1/4	12000	32	35	51	94	4.51	3014021
G4153-1.3/8	13500	35	38	57	115	5.93	3014023
G4153-1.1/2	17000	38	42	60	127	7.89	3014025
G4153-1.3/4	25000	45	50	74	149	13.4	3014027
G4153-2	35000	50	57	83	171	16.86	3014029
G4153-2.1/4	42500	57	65	95	190	24.56	3014031
G4153-2.1/2	55000	65	70	105	203	32.65	3014033

Eye hook type 14A (Grade 8)



Safety factor 4. Safety latch.

Norm:
- EN1677



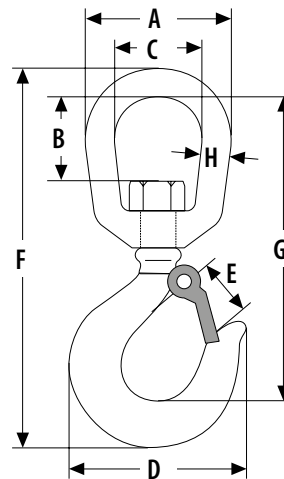
Type	WLL (kg)	A (mm)	B (mm)	C (mm)	D (mm)	E (mm)	F (mm)	G (mm)	H (mm)	Weight (kg/pc/m)	ProductId
S6714A-1.25T	1250	81	19	24	71	17	20	19	37	0.27	3007001
S6714A-1.6T	1600	91	22	26	79	19	22	22	45	0.57	3007003
S6714A-2.5T	2500	105	27	32	91	25	27	27	52	0.81	3007005
S6714A-3.2T	3200	124	32	34	106	26	30	31	62	1.27	3007007
S6714A-5.4T	5400	147	39	44	125	35	37	36	74	1.70	3007009
S6714A-8.2T	8200	190	50	55	60	46	48	48	96	3.60	3007011
S6714A-12.8T	12800	230	64	64	195	47	53	65	123	7.00	3007013
S6714A-16T	16000	254	70	70	225	55	60	69	139	11.0	3007015
S6714A-22T	22000	310	89	91	282	66	77	81	169	17.0	3007017

Swivel hook type 3A (Grade 8)



Safety factor 4. Safety latch. Cannot be rotated under load

Norm:
- EN1677



Type	WLL (kg)	A (mm)	B (mm)	C (mm)	D (mm)	E (mm)	F (mm)	G (mm)	H (mm)	Weight (kg/pc/m)	ProductId
S6703A-1.25T	1250	52	28	31	75	20	148	118	11	0.49	3009001
S6703A-1.6T	1600	67	35	40	81	22	180	145	14	0.95	3009003
S6703A-2.5T	2500	81	43	47	92	27	208	167	17	1.48	3009005
S6703A-3.2T	3200	81	47	47	103	30	222	180	17	1.79	3009007
S6703A-5.4T	5400	106	64	64	125	37	274	217	21	3.80	3009009
S6703A-8T	8000	129	69	78	165	49	337	276	26	7.4	3009011
S6703A-11.5T	11500	148	68	82	193	53	395	310	22	14.9	3009013
S6703A-16T	16000	165	84	92	221	58	445	352	24	15.0	3009015
S6703A-22T	22000	200	107	115	282	87	543	434	29	27.0	3009016

Lifting clamps info	138
Vertical plate clamp	139
Horizontal plate clamp	148
Spindle clamps	152
Beam lifting clamps	154
Bulb-, profil-clamps	155
Rail lifting clamps	157
Pallet pullers	159



REMA lifting clamps info

REMA® is a leader in the production and sale of lifting clamps.

- Each lifting clamp is supplied with a valid factory test certificate.
- All lifting clamps have a type approval according to labor inspection.

Features of REMA® lifting clamps

- Excellent quality and finish.
- Very compact design and light weight.
- Great hardness of the segments (HrC 54).
- High wear resistance and long service life.
- A safety factor of 5 or higher against breakage.
- An extensive range of tonnages with different jaw openings.
- The lifting clamps are easy to repair, parts can be delivered as a package.
- The vertical clamps are provided with a safety lever that exerts an initial force on the plate by means of a spring, so that it cannot fall out of the clamp.
- Each clamp is subjected to a test load (2 x WLL).

REMA® lifting clamps meet the highest quality requirements at European level and the NEN-EN-13155 standard.

Important information before use

- Do not exceed rated operational loads!
- Avoid abrupt loading!
- Utilize the full depth of jaw openings when gripping sheets or beams.
- Make sure that safety lever is closed before starting lifting.
- With long sheets or beam, use a multiple of clamps.
- Do not use any damaged lifting clamps.
- Maximum hardness of sheets or beams to be lifted is HRC 37 (345 HB).
- Do not lift more than one sheet at a time.
- Lifting clamps are not intended to be in permanent connection with gripped-in sheets or beams (except for models CSV).
- Do not carry out welding operations on clamps as they can affect original hardness of clamps.
- Do not use lifting clamps exceeding temperature range -40° to +100°C.
- When lifting and lowering loads, do not stand in close proximity of the load.
- Prevent situations when persons may stay below suspended loads.
- It is very important to develop procedures in compliance with periodic inspections must be completed.
- Read the attached operating instructions before use.



CNM non-marking vertical plate lifting clamps



The CNM clamp is equipped with 2 clamping jaws that are provided with special synthetic plastic. After hoisting, the clamp leaves no damage. The clamp is locked in the closed and open position.

Properties

- Equipped with synthetic plastic jaws.

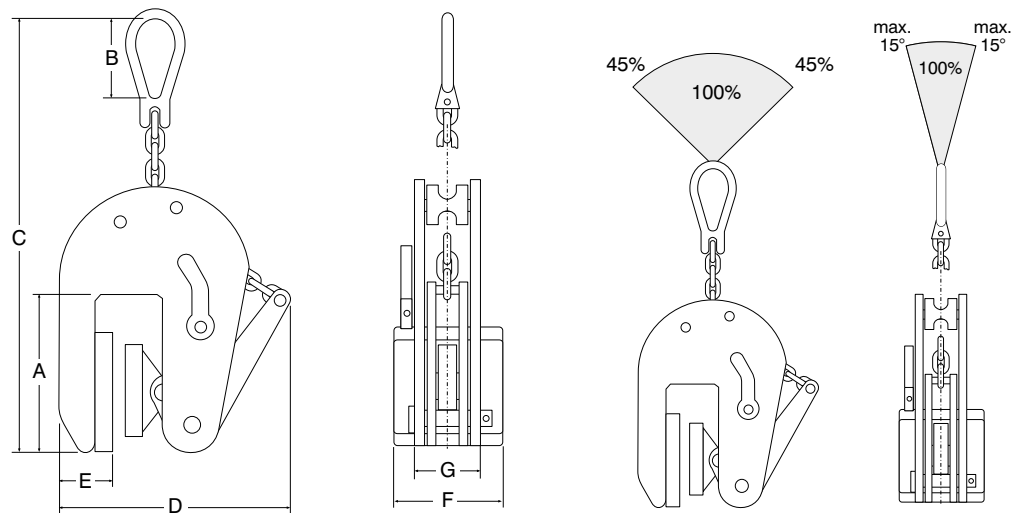
Application

- For hoisting and transporting of, stainless steel, aluminum, wood and natural stone where the work-piece can not be damaged.

Norm:

- EN12100-1/2, EN13155, AS4991, ASME-B30,20

Safe workload when used under different angles



Type	WLL (kg)	Jaw opening (mm)	A (mm)	B (mm)	C (mm)	D (mm)	E (mm)	F (mm)	G (mm)	Weight (kg)	ProductId
CNM-0.5	500	1-20	102	65	462	224	48	80	48	6.0	3315001
CNM-0.5G	500	17-37	102	65	462	241	48	80	48	6.0	3315003
CNM-1.0	1000	1-30	105	80	470	282	46	80	54	6.5	3315000
CNM-1.5	1500	1-40	105	80	470	282	46	80	54	6.5	3315002
CNM-2.0	2000	1-50	124	100	704	408	63	80	65	15.0	3315004
CNM-3.0	3000	1-60	124	100	704	408	63	80	65	15.5	3315005

CNMA vertical non-marking lifting clamp



The CNMA clamp is equipped with 2 clamping jaws that are provided with special synthetic plastic. After hoisting, the clamp leaves no damage. The clamp is locked in the closed and open position.

Properties

- Only available in 500 KG version.
- Equipped with synthetic plastic jaws.
- Jaw opening adjustable in steps of 20 mm from 3 to 180 mm.

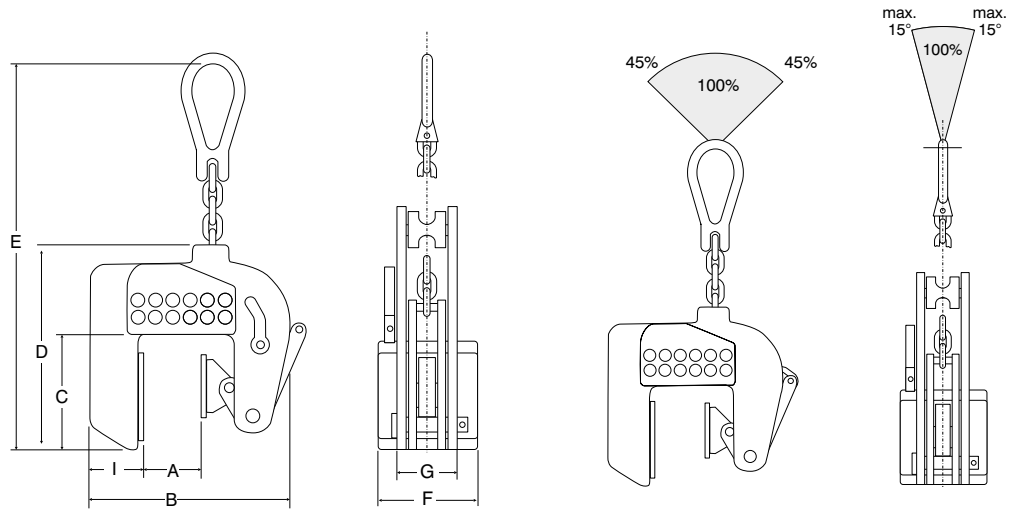
Application

- For hoisting and transporting of stainless steel, aluminum, wood and natural stone where the work-piece can not be damaged.

Norm:

- EN12100-1/2, EN13155, AS4991, ASME-B30,20

Safe workload when used under different angles



Type	WLL (kg)	Jaw opening (mm)	A (mm)	B (mm)	C (mm)	D (mm)	E (mm)	F (mm)	G (mm)	I (mm)	Weight (kg)	ProductId
CNMA-05	500	1-180	0-180	220-340	143	223	360	80	66	61	10	3315006

CS vertical plate lifting clamps



Lifting clamps for safely transporting steel plates in vertical position.
Minimum weight to be lifted is 10% of the safe workload.

Properties

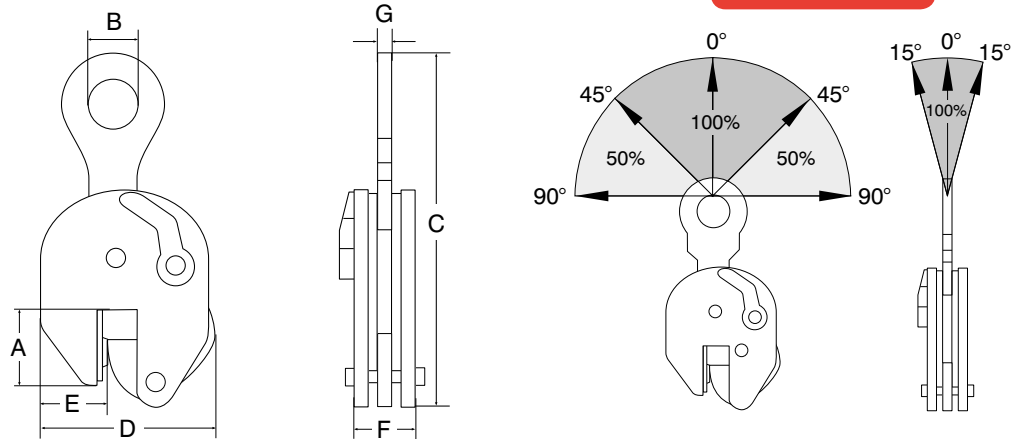
- Equipped with standard lifting eye, movable in one direction.
- Always equipped with a safety mechanism, ensuring the clamp does not slip when lifting force is applied and when load is being lowered.
- WLL and size of the jaw opening are clearly indicated on the clamp.
- Safety factor of at least 5 x WLL.
- Each clamp is 2x WLL testloaded.

Application

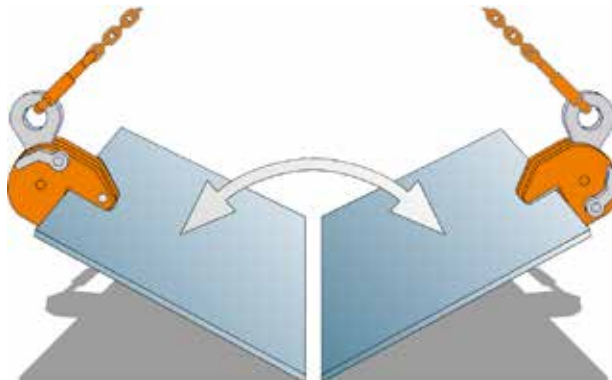
- For lifting steel plates up to a hardness of 37 RC (345 HB).
- Suitable for lifting, 180 ° turning and vertical transport of steel plates.

Norm:

- EN12100-1/2, EN13155, AS4991, ASME-B30,20



Type	WLL (kg)	Jaw opening (mm)	A (mm)	B (mm)	C (mm)	D (mm)	E (mm)	F (mm)	G (mm)	Weight (kg)	ProductId
CS-0.75	750	0-13	47	30	205	100	35	37	10	1.5	3360001
CSE-1.0	1000	0-25	55	45	265	142	38	47	15	3.6	3360002
CS-2.0	2000	0-35	80	65	335	185	55	56	17	6.5	3361002
CS-3.0	3000	0-35	80	65	335	185	55	56	17	7	3361003
CS-4.0	4000	0-45	85	70	430	230	60	78	20	16	3361004
CS-6.0	6000	0-50	114	75	490	255	78	78	20	20	3361006
CS-9.0	9000	0-55	112	75	530	267	70	86	20	26	3361009
CS-12.0	12000	0-52	148	85	617	295	100	94	44	42	3361013
CS-15.0	15000	0-75	159	86	760	375	135	105	50	71	3361015



CS-H vertical plate lifting clamps for steel plates up to a hardness of 50RC (485HB)



Lifting clamps for safely transporting steel plates in vertical position.
Minimum weight to be lifted is 10% of the safe workload.

Properties

- Equipped with standard lifting eye, movable in one direction.
- Always equipped with a safety mechanism, ensuring the clamp does not slip when lifting force is applied and when load is being lowered.
- WLL and size of the jaw opening are clearly indicated on the clamp.
- Safety factor of at least 5 x WLL.
- Each clamp is 2x WLL testloaded.

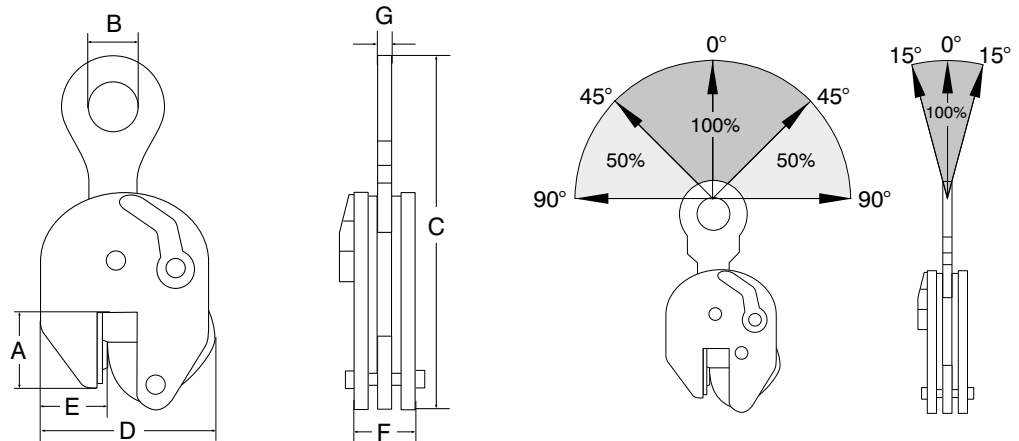
Application

- For lifting steel plates up to a hardness of 50 RC (485 HB).
- Suitable for lifting, 180 ° turning and vertical transport of steel plates.

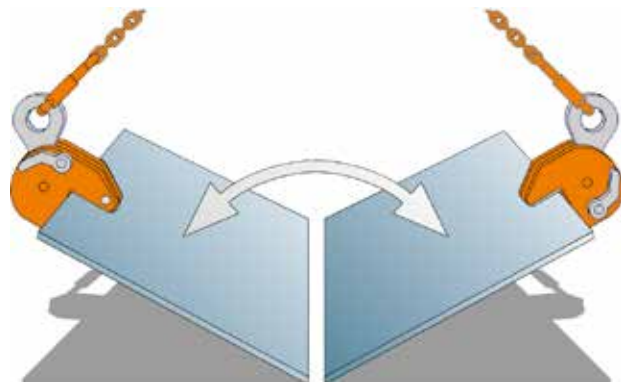
Norm:

- EN12100-1/2, EN13155, AS4991, ASME-B30,20

Safe workload when used under different angles



Type	WLL (kg)	Jaw opening (mm)	A (mm)	B (mm)	C (mm)	D (mm)	E (mm)	F (mm)	G (mm)	Weight (kg)	ProductId
CS-0.75H	750	0-13	47	30	205	100	35	37	10	1.5	3361101
CS-1.0H	1000	0-25	55	45	265	142	38	47	15	3.6	3361103
CS-2.0H	2000	0-35	80	65	335	185	55	56	17	6.5	3361105
CS-3.0H	3000	0-35	80	65	335	185	55	56	17	7	3361107
CS-4.5H	4500	0-45	85	70	430	230	60	77	20	16	3361109
CSE-6.0H	6000	0-50	114	78	527	259	82	78	32	24	3361112



CU universal plate lifting clamps



Lifting clamps for safely transporting steel plates in vertical position.
Minimum weight to be lifted is 10% of the safe workload.

Properties

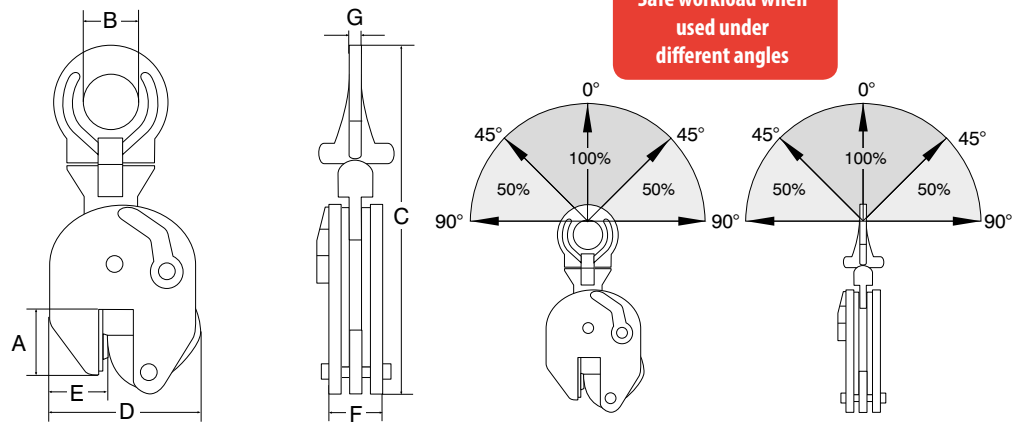
- Equipped with universal lifting eye, movable in two directions.
- Always equipped with a safety mechanism, ensuring the clamp does not slip when lifting force is applied and when load is being lowered.
- WLL and size of the jaw opening are clearly indicated on the clamp.
- Safety factor of at least 5 x WLL.
- Each clamp is 2x WLL testloaded.

Application

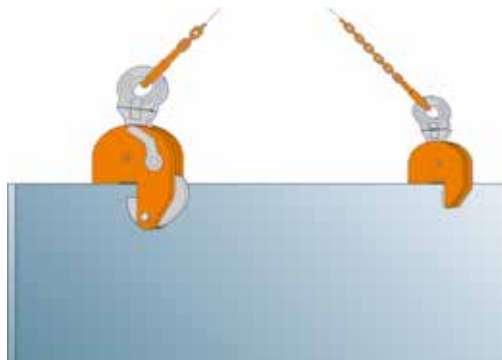
- For lifting steel plates up to a hardness of 37 RC (345 HB).
- Suitable for lifting, 180 ° turning and vertical transport of steel plates.

Norm:

- EN12100-1/2, EN13155, AS4991, ASME-B30,20



Type	WLL (kg)	Jaw opening (mm)	A (mm)	B (mm)	C (mm)	D (mm)	E (mm)	F (mm)	G (mm)	Weight (kg)	ProductId
CU-0.75	750	0-13	47	30	203	100	35	37	10	1.7	3362001
CUE-1.0	1000	0-25	55	50	295	125	38	47	14	3.9	3362002
CU-2.0	2000	0-35	80	70	370	185	55	56	16	7.3	3363002
CU-3.0	3000	0-35	80	70	370	185	55	56	16	8	3363003
CU-4.0	4000	0-45	85	70	430	230	60	78	20	17	3363004
CU-6.0	6000	0-50	114	78	527	255	78	78	32	22	3363006
CU-9.0	9000	0-55	112	78	565	267	70	86	45	30	3363009
CU-12.0	12000	0-52	148	85	650	295	100	94	48	44	3363013
CU-15.0	15000	0-76	159	85	765	373	136	106	48	75	3363015



CU-H universal plate lifting clamps for steel plates up to a hardness of 50RC (485HB)



Lifting clamps for safely transporting steel plates in vertical position.
Minimum weight to be lifted is 10% of the safe workload.

Properties

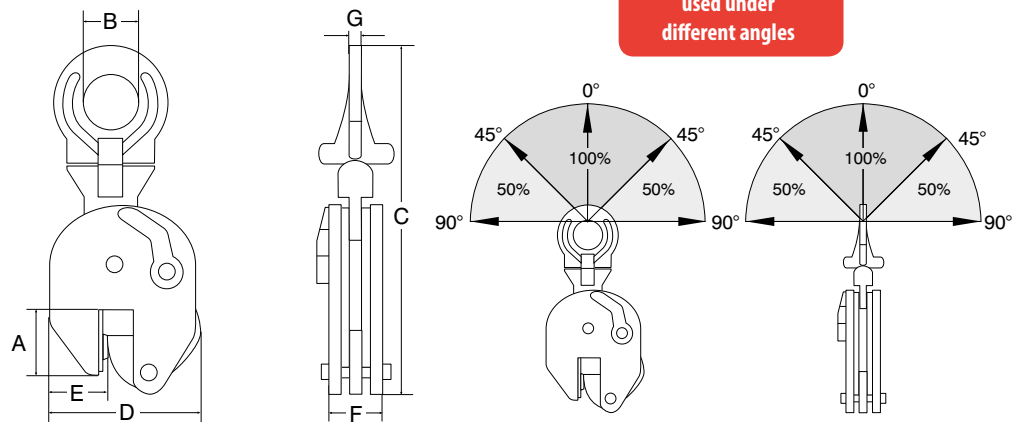
- Equipped with universal lifting eye, movable in two directions.
- Always equipped with a safety mechanism, ensuring the clamp does not slip when lifting force is applied and when load is being lowered.
- WLL and size of the jaw opening are clearly indicated on the clamp.
- Safety factor of at least 5 x WLL.
- Each clamp is 2x WLL testloaded.

Application

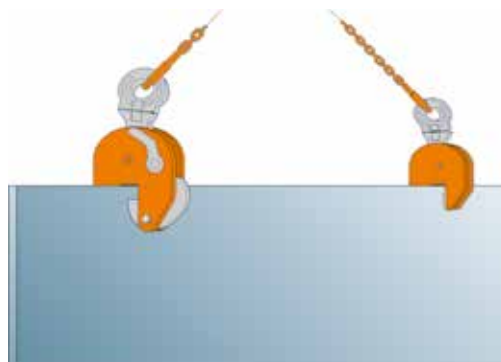
- For lifting steel plates up to a hardness of 50 RC (485 HB).
- Suitable for lifting, 180 ° turning and vertical transport of steel plates.

Norm:

- EN12100-1/2, EN13155, AS4991, ASME-B30,20



Type	WLL (kg)	Jaw opening (mm)	A (mm)	B (mm)	C (mm)	D (mm)	E (mm)	F (mm)	G (mm)	Weight (kg)	ProductId
CU-0.75H	750	0-13	47	30	203	100	35	37	10	1.7	3363101
CU-1.0H	1000	0-25	55	50	295	142	38	47	14	3.9	3363103
CU-2.0H	2000	0-35	80	70	370	185	55	56	16	7.3	3363105
CU-3.0H	3000	0-35	80	70	370	185	55	56	16	8	3363107
CU-4.5H	4500	0-45	85	70	430	230	60	78	20	17	3363109
CUE-6.0H	6000	0-50	114	78	527	259	82	78	32	24	3363112



CUER plate lifting clamps for hoisting stainless steel plates



For safe lifting and transporting in vertical position of stainless steel plates.

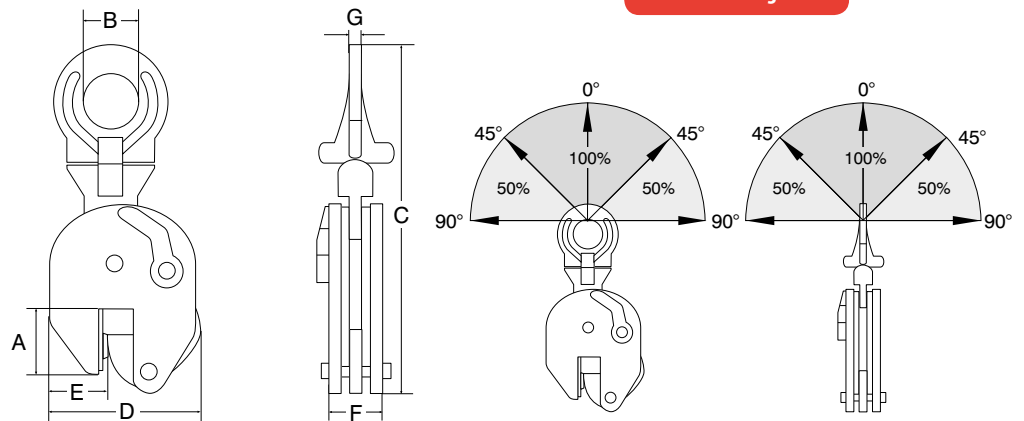
Minimum weight to be lifted is 10% of the safe workload.

Properties

- Segment, segment axis and pivots are made of stainless steel.
- The housing and the latch pin are nickel plated to prevent the contact between carbon steel and stainless steel plates.
- Always equipped with a safety mechanism, ensuring the clamp does not slip when lifting force is applied and when load is being lowered.

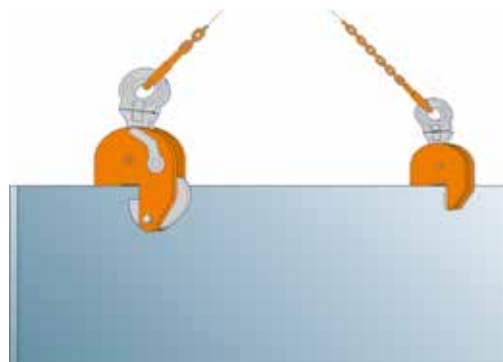
Norm:

- EN12100-1/2, EN13155, AS4991, ASME-B30,20



Safe workload when used under different angles

Type	WLL (kg)	Jaw opening (mm)	A (mm)	B (mm)	C (mm)	D (mm)	E (mm)	F (mm)	G (mm)	Weight (kg)	ProductId
CUER-1.0	1000	0-25	56	50	292	141	37	47	15	3.8	3363301
CUER-2.0	2000	0-35	78	70	372	183	56	56	16	8	3363302



CSEU vertical lifting clamp



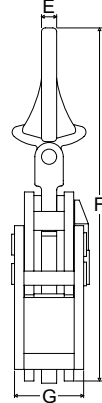
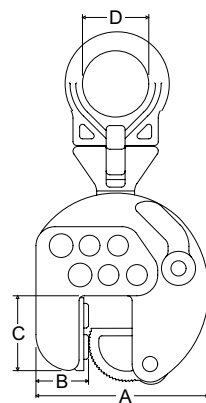
For hoisting and transporting plates and constructions from any position.
Minimum weight to be lifted is 10% of the safe workload.

Properties

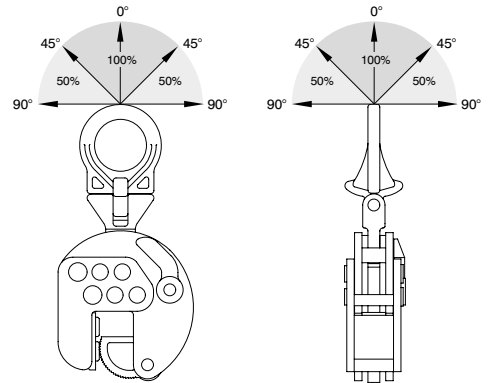
- When 1 Clamp with a varying jaw opening is required.
- Adaptable in steps of 30 mm.
- Strong and lightweight construction.

Norm:

- EN12100-1/2, EN13155, AS4991, ASME-B30,20



Safe workload when used under different angles



Type	WLL (kg)	Jaw opening (mm)	A (mm)	B (mm)	C (mm)	D (mm)	E (mm)	F (mm)	G (mm)	Weight (kg)	ProductId
CSEU-3	3000	0-95	182-245	55	80	70	16	370	73	11	3313020

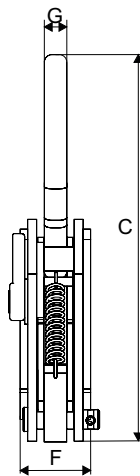
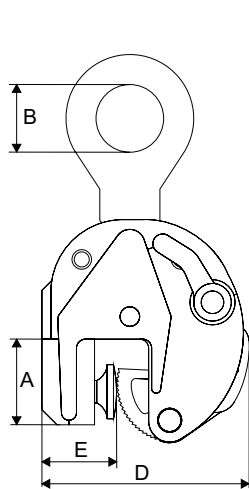
CBT vertical lifting clamp with movable pivot.



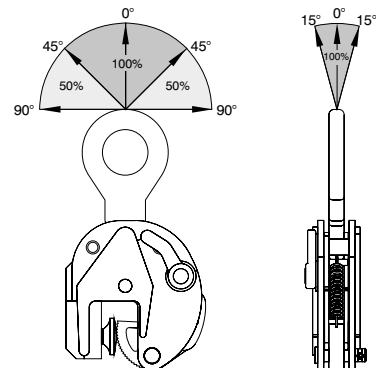
For vertical lifting and transporting (thin) sheet metal. Special movable pivot in the clamp provide extra pressure on the material, eliminating the risk of slippage.
 No minimum weight required.

Norm:

- EN12100-1/2, EN13155, AS4991, ASME-B30,20



Safe workload when used under different angles



Type	WLL (kg)	Jaw opening (mm)	A (mm)	B (mm)	C (mm)	D (mm)	E (mm)	F (mm)	G (mm)	Weight (kg)	ProductId
CBT-0.25	250	0-13	53	30	200	110	50	38	10.5	1.85	3364000
CBT-1	1000	0-20	57	45	258	138	50	47	15	4	3364001

CBTU inversal plate clamp with movable pivot.



For vertical lifting and transporting (thin) sheet metal. Special movable pivot in the clamp provide extra pressure on the material, eliminating the risk of slippage. No minimum weight required.

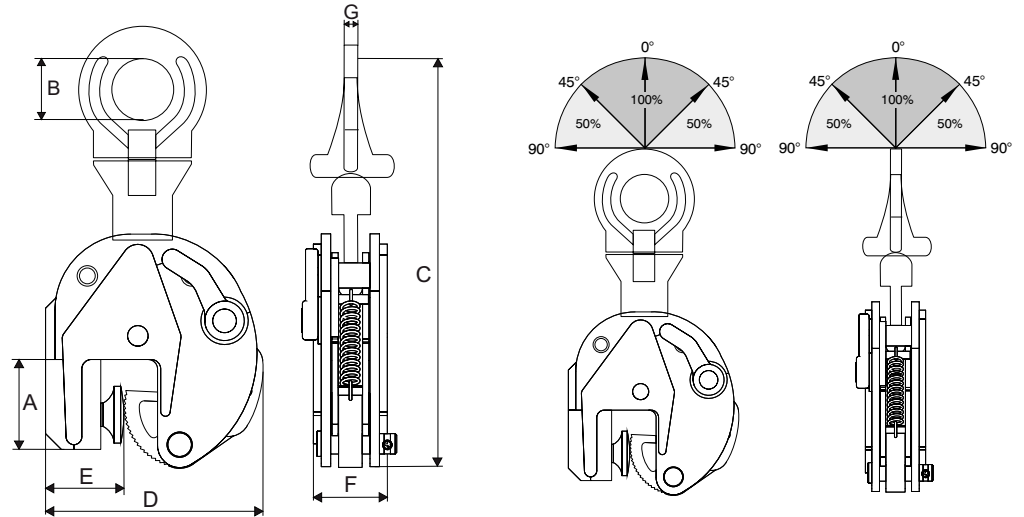
Properties

- Movable pivots.
- Universal lifting eye.

Norm:

- EN12100-1/2, EN13155, AS4991, ASME-B30,20

Safe workload when used under different angles



Type	WLL (kg)	Jaw opening (mm)	A (mm)	B (mm)	C (mm)	D (mm)	E (mm)	F (mm)	G (mm)	Weight (kg)	ProductId
CBTU-0.25	250	0-13	53	30	200	110	50	38	10.5	2	3364100

CH horizontal plate lifting clamps



Lifting clamps for safe transportation of steel plates in horizontal position. For hoisting steel plates up to hardness 37 RC (345 HB).

Properties

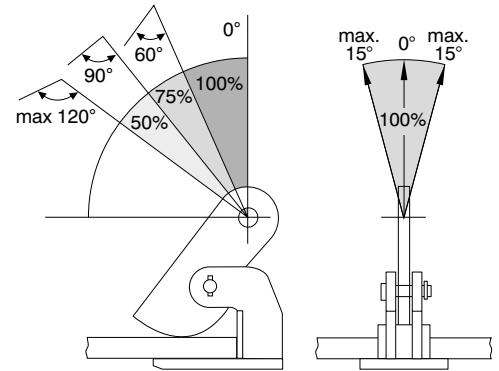
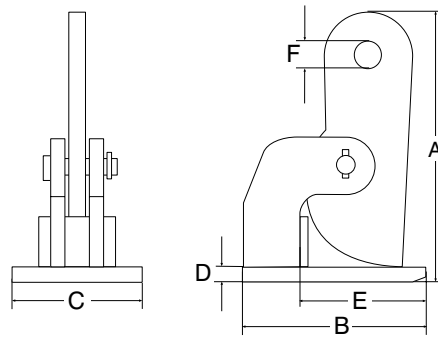
- WLL and size of the jaw opening are clearly indicated on the clamp.
- Suitable for hoisting and horizontal transport of steel plates that do not bend.
- These clamps can also be applied under a lifting frame or chain sling.
- Always use in pair.
- Low weight and compact design.
- Safety factor of at least 5 x WLL.
- Each clamp is 2 x WLL testloaded.

Application

- For lifting steel plates up to hardness 37 RC (345 HB).
- For the safe transport of steel plates in horizontal position.

Norm:

- EN12100-1/2, EN13155, AS4991, ASME-B30,20



Safe workload when used under different angles

Type	WLL/pair (kg)	Jaw opening (mm)	A (mm)	B (mm)	C (mm)	D (mm)	E (mm)	F (mm)	Weight/pair (kg)	ProductId
CH-1.0	1000/2	0- 35	188	140	65	10	100	25	5.2/2	3365001
CH-2.0	2000/2	0- 60	290	180	90	15	115	31	15/2	3365002
CH-4.0	4000/2	0- 60	306	220	105	25	145	31	26/2	3365004
CH-6.0	6000/2	0- 60	306	220	110	25	145	31	26/2	3365006
CH-8.0	8000/2	0- 60	335	225	120	35	135	31	36/2	3365008
CH-10.0	10000/2	0- 60	335	225	120	35	135	31	40/2	3365010
CH-2.0/L	2000/2	0-100	380	180	90	15	120	31	18/2	3365102
CH-4.0/L	4000/2	0-100	415	220	105	25	145	31	30/2	3365104
CH-6.0/L	6000/2	0-100	415	220	120	25	145	31	32/2	3365106
CH-8.0/L	8000/2	0-100	430	225	120	35	135	31	44/2	3365108
CH-10.0/L	10000/2	0-100	430	225	120	35	135	31	46/2	3365110

CHT horizontal lifting clamps for thin plates



CHT lifting clamps with reverse segments for safe transportation of thin steel plates sagging during lifting.

Properties

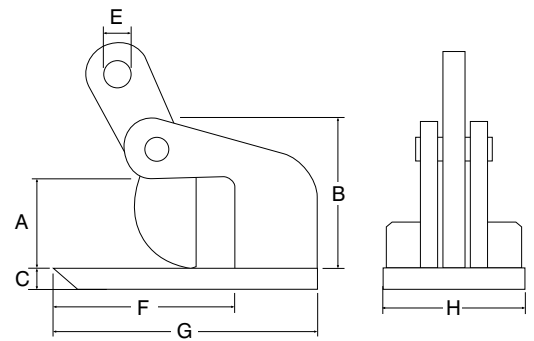
- Always use per pair.
- WLL and the size of the jaw opening are clearly marked on the clamp.
- Safety factor of at least 5 x WLL.
- Each clamp is 2 x WLL test load.

Application

- For lifting thin sheet steel plates in horizontal position to a hardness of 37RC (345 HB).

Norm:

- EN12100-1/2, EN13155, AS4991, ASME-B30,20



Type	WLL /pair (kg)	Jaw opening (mm)	A (mm)	B (mm)	C (mm)	E (mm)	F (mm)	G (mm)	H (mm)	Weight / pair (kg)	ProductId
CHT-1.0	1000/2	0-15	0-15	85	10	22.5	99	140	65	5/2	3309001
CHT-2.0	2000/2	0-35	0-35	135	20	26	114	180	90	16/2	3309002

CNMH horizontal lifting clamp



REMA horizontal clamps are for the safe transport of flat sheets where the surface may not be damaged e.g. stainless steel, aluminum, wood etc. The clamp and bed of the clamp are covered with a high-quality pressure-resistant plastic.

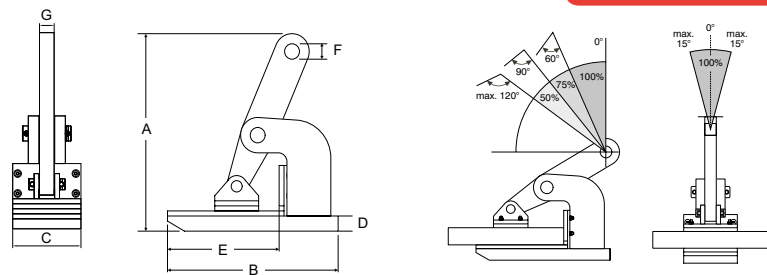
Application

- For the horizontal transport of stainless steel plates, various wooden panels, aluminum etc.

Norm:

- EN12100-1/2, EN13155, AS4991, ASME-B30,20

Safe workload when used under different angles



Type	WLL /pair (kg)	Jaw opening (mm)	A (mm)	B (mm)	C (mm)	D (mm)	E (mm)	F (mm)	G (mm)	Weight / pair (kg)	ProductId
CNMH-1	1000/2	0-25	154	140	65	15	95	20.0	15	7	3366001
CNMH-2	2000/2	0-45	270	225	90	23	150	30.5	15	18	3366002
CNMH-3	3000/2	0-45	275	225	90	28	150	30.5	15	26	3366003
CNMH-4	4000/2	0-50	305	250	105	28	160	30.5	20	32	3366004
CNMH-6	6000/2	0-50	310	250	120	33	160	30.5	20	34	3366006

CHTV horizontal lifting clamps with spring



REMA CHTV horizontal clamps are fitted with a torsion spring so that the lifting clamp remains closed at the desired location. 1 person can place 4 clamps and operate the crane.

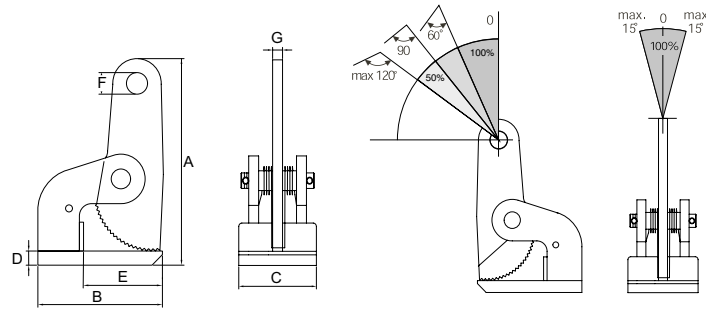
Application

- 1 person can place 4 clamps and operate the crane.

Norm:

- EN12100-1/2, EN13155, AS4991, ASME-B30,20

Safe workload when used under different angles



Type	WLL /pair (kg)	Jaw opening (mm)	A (mm)	B (mm)	C (mm)	D (mm)	E (mm)	F (mm)	G (mm)	Weight / pair (kg)	ProductId
CHTV-1	1000/2	0-35	193	140	85	10	100	25	15	6/2	3369001
CHTV-2	2000/2	0-60	290	180	125	15	115	30.5	16	18/2	3369002
CHTV-3	3000/2	0-60	293	180	125	20	115	30.5	16	20/2	3369003
CHTV-4	4000/2	0-60	310	220	165	30	140	30.5	20	30/2	3369004
CHTV-6	6000/2	0-60	310	220	165	30	140	30.5	20	30/2	3369006



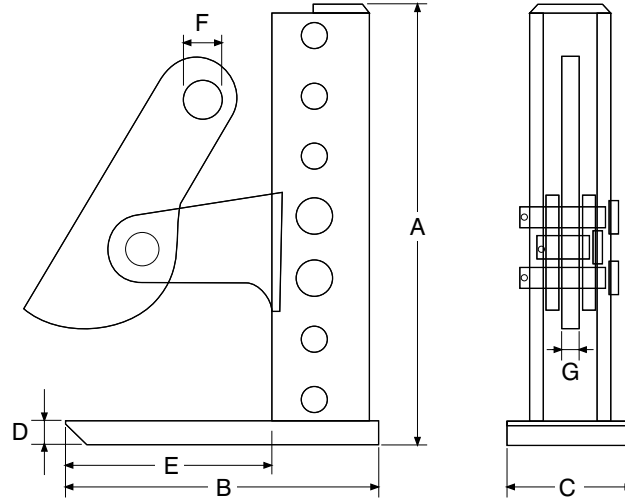
CHV horizontal adjustable lifting clamps



Adjustable lifting clamp for safe lifting and moving of packages and single plates in horizontal position. Always use these clamps per pair.

Norm:

- EN12100-1/2, EN13155, AS4991, ASME-B30,20



Type	WLL /pair (kg)	Jaw opening (mm)	A (mm)	B (mm)	C (mm)	D (mm)	E (mm)	F (mm)	G (mm)	Weight / pair (kg)	ProductId
CHV-1.5	1500/2	3-180	290	200	90	15	135	30	20	18/2	3315011
CHV-1.5X	1500/2	3-300	410	200	90	15	135	30	20	23/2	3315013
CHV-3.0	3000/2	3-180	300	235	105	20	165	30	20	29/2	3315015
CHV-3.0X	3000/2	3-300	410	235	105	20	165	30	20	31/2	3315017
CHV-4.5	4500/2	3-180	300	235	105	20	165	30	20	32/2	3315019
CHV-4.5X	4500/2	3-420	535	235	105	20	170	30	20	34/2	3315021
CHV-6.0	6000/2	3-180	305	250	120	25	160	30	20	40/2	3315023
CHV-6.0X	6000/2	3-420	540	250	120	25	165	30	20	46/2	3315025
CHV-9.0	9000/2	3-180	305	250	120	25	160	30	20	51/2	3315027
CHV-9.0X	9000/2	3-420	540	250	120	25	165	30	20	60/2	3315029

CSH screw clamps



CSH screw clamps. For positioning and turning steel plates, steel sections and curved plates. As the load increases, the force is distributed over a larger part of the segment.

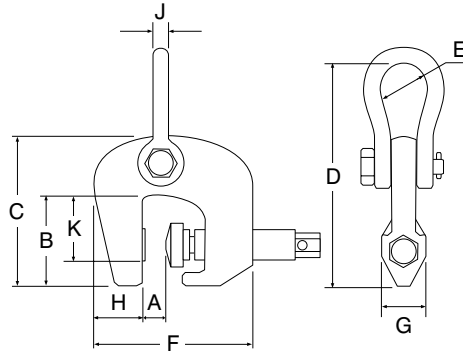
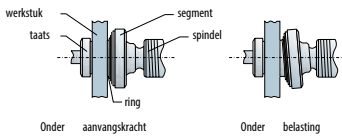
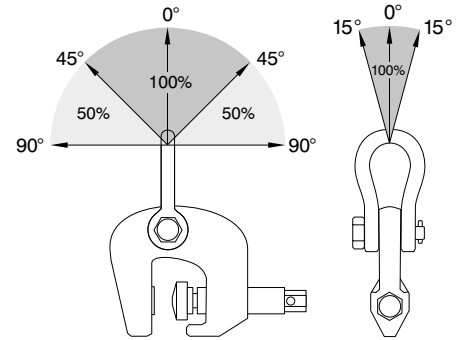
Application

- The CSH screw clamp is suitable for lifting and transporting steel objects in horizontal and vertical positions.

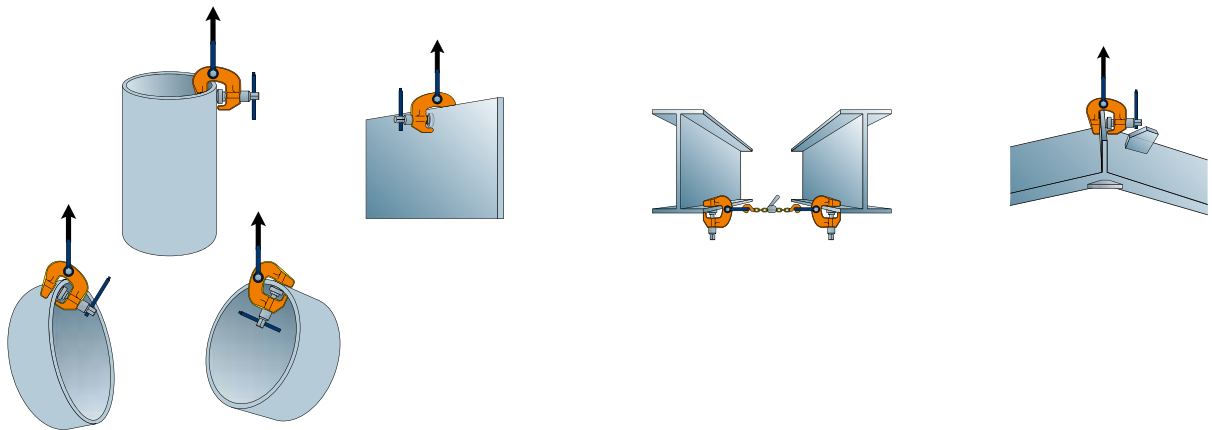
Norm:

- EN12100-1/2, EN13155

Safe workload when used under different angles



Type	WLL (kg)	Jaw opening (mm)	A (mm)	B (mm)	C (mm)	D (mm)	E (mm)	F (mm)	G (mm)	H (mm)	J (mm)	K (mm)	Weight (kg)	Productid
CSH-0.5	500	0-35	0-35	45.5	82	211	25	108	27	26	10	158	1.0	3313003
CSH-1.0	1000	0-40	0-40	82	128	204	38	175	46	46	12	210	3.2	3313006
CSH-1.5	1500	0-40	0-40	71	140	232	46	150	46	40	16	220	3.5	3313007
CSH-3.0	3000	0-60	0-60	88	184	278	50	190	60	46	19	280	7.8	3313009
CSH-6.0	6000	0-100	0-100	123	249	390	100	296	75	70	32	446	22	3313011



WF-screw clamp



WF screw clamps are the lightest clamps with the highest capacity by means of a double round pivot. Special high-quality Alloy steel housing provides a safety factor of 8. The clamp is equipped with a double locking mechanism with movable pivots that guarantees increased clamping capacity.

Properties

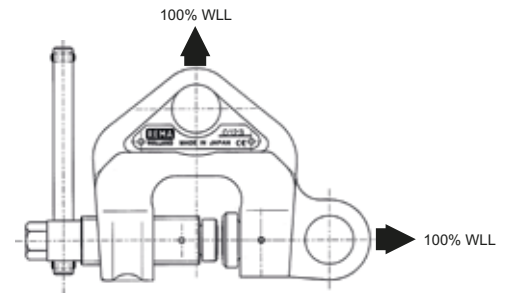
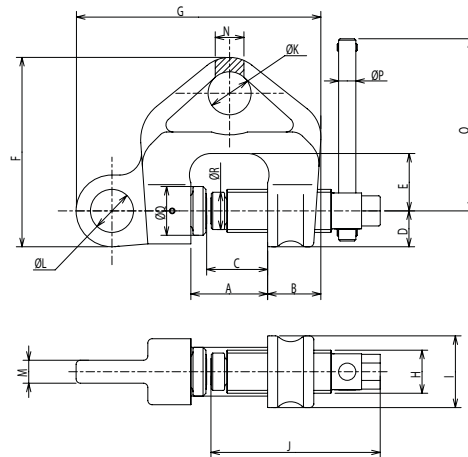
- Double round pivot locking, resulting in stronger clamping force and safe operation.
- Because of the two attachment holes it is possible to carry out work in all directions.
- This clamp can be used to hoist inclined loads such as I-beams.
- Fine adjusting screw thread.
- Preservation powder coating.
- The pivots and the screw are specially treated to prevent rusting.

Application

- Hoisting and transport work: Steel material, including H-beams, I-beams, steel plates, tubes, angle profiles and steel posts, as well as steel beams, pillars, welded objects and other workpieces.
- Lowering workpieces easily with any hoisting equipment.
- Dragging steel plates to arrange them on the ground.

Norm:

- EN12100-1/2, EN13155



Type	WLL (kg)	Minimum load (kg)	Jaw opening (mm)	Weight (kg)	ProductId
WF-0.5	500	50	3-28	1.5	3316001
WF-1.0	1000	100	3-40	2.9	3316003
WF-2.0	2000	200	3-45	4.9	3316005
WF-3.0	3000	300	6-49	7.2	3316007
WF-5.0	5000	500	9-53	10.0	3316009

Type	A (mm)	B (mm)	C (mm)	D (mm)	E (mm)	F (mm)	G (mm)	H (mm)	I (mm)	J (mm)	K (mm)	L (mm)	M (mm)	N (mm)	O (mm)	P (mm)	Q (mm)	R (mm)
WF-0.5	41	32	30.5	21	33	108	138	34	42	10	25	24.5	12	16	120	10	26	21
WF-1.0	53.5	38	42.5	25	40	132	172	34	50	10	30	29.5	16	20	120	12	34	26
WF-2.0	60	45	47.5	31	41	157	202	34	62	10	34	33.0	22	28	150	12	36	29
WF-3.0	65.5	52	51.5	35	44	170	230	34	70	10	35	40.5	28	33	160	12	40	36
WF-5.0	71	57	55.5	38	46	187	248	34	75	10	40	45.0	38	40	180	12	41	36

CBV beam clamps



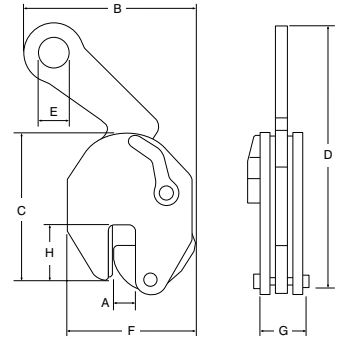
Designed for safe lifting and transportation of steel beams in vertical position.

Application

- For vertical lifting, transportation and stacking of steel (H) beams, profiles and structures where the load must stay perfectly in position
- Especially recommended for transportation and stacking of steel (H) beams (e.g. when sawing of steel beams, stacking of steel beams and building of steel constructions)
- Jaw openings available from: 0 to 25 mm.
- note: the plate surface of the material must have a hardness level of max. Hrc 37/345 Hb
- **Minimum weight to be lifted is 10% of the safe workload.**

Norm:

- EN12100-1/2, EN13155, AS4991, ASME-B30,20



Type	WLL (kg)	Jaw opening (mm)	A (mm)	B (mm)	C (mm)	D (mm)	E (mm)	F (mm)	G (mm)	H (mm)	Weight (kg)	ProductId
CBV-1.0	1000	0-15	0-15	175	150	226	35	130	35	47	4	3313000
CBV-2.0	2000	0-20	0-20	265	200	345	60	165	56	67	8	3313001
CBV-3.0	3000	0-25	0-25	325	235	410	72	192	77	65	16	3313002

COBK beam lifting clamp



COBK beam lifting clamp is made with a safety mechanism that makes sure that the beam cannot slide out of the clamp during transport. The clamp is locked in open and closed position.

Application

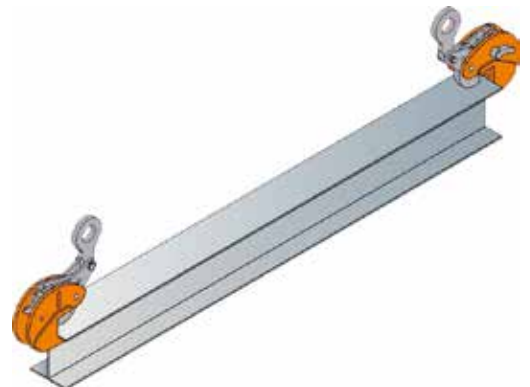
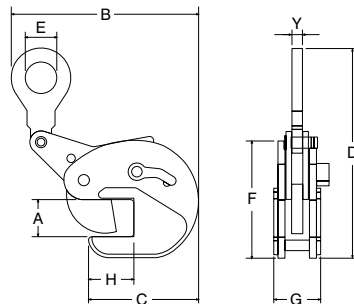
- For horizontal lifting, transportation and stacking of steel (H) beams, profiles and structures.
- Jaw openings available from: 3 to 20 mm.

Norm:

- EN12100-1/2, EN13155, AS4991, ASME-B30,20

Option

- Other capacities and jaw openings.



Type	WLL/pair (kg)	Jaw opening (mm)	A (mm)	B (mm)	C (mm)	D (mm)	E (mm)	F (mm)	G (mm)	H (mm)	Y (mm)	Weight/pair (kg)	ProductId
COBK-2.0	2000	3-20	3-20	285	157	295	64	155	67	65	17	19	3313022

CBS - bulb screw clamps for HP-profiles



Properties

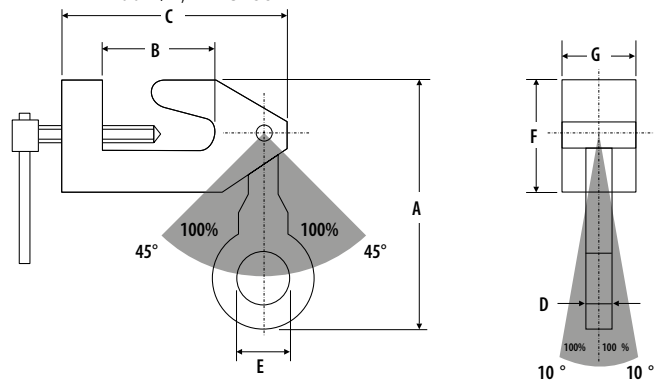
- Equipped with a thread spindle for easy attachment, providing a powerful clamping force on the workpiece
- Lightweight design for easy handling
- Tough quality heavy duty body
- Maintenance-friendly, easy to exchange parts which are available upon request

Application

- For use as a (temporary) lifting point in spaces with HP- (bulb) profiles, like sectional ship parts and ship engine rooms.
- The moment a load is applied, the clamp is automatically applied.
- Used for HP-100 to HP-240 (bulb) profiles.
- Working load limit (WLL) 1500 - 3000kg.

Norm:

- EN12100-1/2, EN13155



Type	WLL (kg)	Jaw opening (mm)	A (mm)	B (mm)	C (mm)	D (mm)	E (mm)	F (mm)	G (mm)	Weight (kg)	ProductId
CBS-1.5	1500	HP100-240	180	75	150	16	45	75	40	3	3313018
CBS-3.0	3000	HP100-240	205	75	150	16	45	75	80	6.5	3313019

CBU Lightweight Holland profile (Hp) clamp for universal lifting



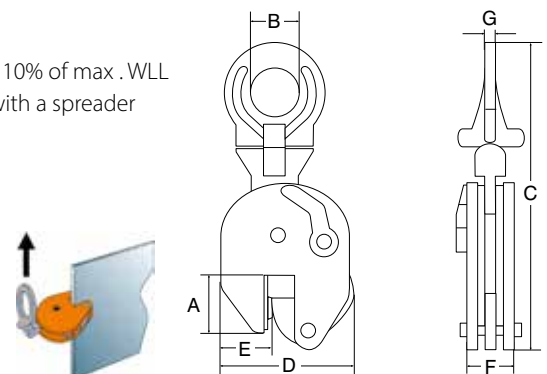
Specifically developed for lifting and transportation HP profiles and ship constructions using HP profiles. Fitted with 2 cams and universal lifting eyes.

Application

- For vertical lifting, handling and transporting of Holland Profile (HP) shipbuilding structures from all positions
- Jaw openings available from: 0 to 45 mm
- Higher WLL available upon request . Min . WLL is 10% of max . WLL
- Lifting of longer sections should be performed with a spreader beam fitted with multiple clamps.

Norm:

- EN12100-1/2, EN13155, AS4991, ASME-B30,20



Type	WLL (kg)	Jaw opening (mm)	A (mm)	B (mm)	C (mm)	D (mm)	E (mm)	F (mm)	Weight (kg)	ProductId
CBU-3.0	3000	0-35	90	70	370	185	55	54	8	3310001
CBU-5.0	5000	0-45	110	70	435	225	60	86	17.3	3310003

CBL bulb lifting clamp with extra large jaw opening



Properties

- Standard with 3 pivots for extra powerful clamping force.
- Clamp is locked in closed as well as open position.
- Always equipped with a safety mechanism, ensuring the clamp does not slip when lifting force is applied and when load is being lowered.

Application

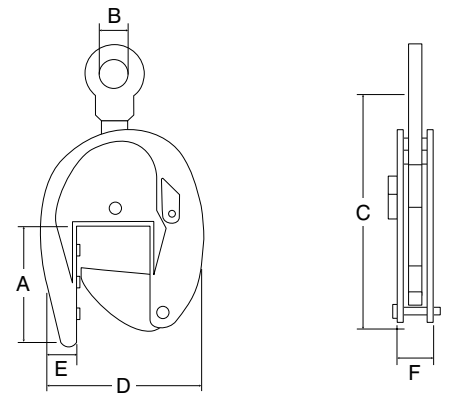
- For vertical lifting, handling and transporting of Holland Profile (HP) shipbuilding structures, steel plates and structures.
- Lifting of longer sections should be performed with a spreader beam fitted with multiple clamps.

Option:

- Higher WLL available upon request.
- Adjustable jaw opening available from: 0 to 155 mm.

Norm:

- EN12100-1/2, EN13155, AS4991, ASME-B30,20



Type	WLL (kg)	Jaw opening (mm)	A (mm)	B (mm)	C (mm)	D (mm)	E (mm)	F (mm)	Weight (kg)	ProductId
CBL-1.5	1500	0-80	205	70	520	280	66	64	20	3313017

CDK fluted sheet lifting clamps



Properties:

- Capacity 3000 kg per pair.
- Always apply these clamps per pair.

Application

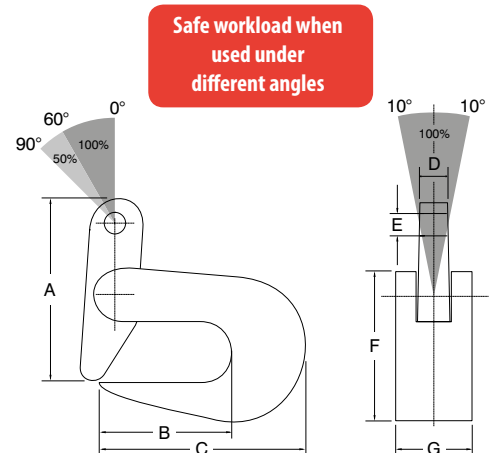
- Specifically developed for safe lifting and transportation fluted plates of dams. These clamps must always be used in pairs.

Norm:

- EN12100-1/2, EN13155, AS4991, ASME-B30,20

Option

- Schackle (3011011)



Type	WLL/pair (kg)	Jaw opening (mm)	A (mm)	B (mm)	C (mm)	D (mm)	E (mm)	F (mm)	G (mm)	Weight/pair (kg)	ProductId
CDK-3.0	3000/2	0 - 20	185	80	140	15	25	115	40	7.6	3313023

CRC rail clamp



Properties

- Lifting capacity and jaw opening are clearly engraved on the housing.
- Equipped with a safety mechanism that prevents the rail from sliding out of the jaw during lifting.
- The clamp locks in open and closed position.

Applications

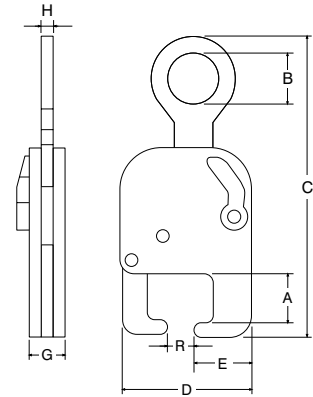
- For vertical transport of (railway) rail profiles.

Option

- Other capacities and jaw opening.
- Other profile dimensions on request.

Norm:

- EN12100-1/2, EN13155, AS4991, ASME-B30,20



Type	WLL (kg)	Jaw opening R (mm)	A (mm)	B (mm)	C (mm)	D (mm)	E (mm)	G (mm)	H (mm)	Weight (kg)	ProductId
CRC-1.5	1500	40-75	64	65	390	170	70	48	16	8	3314015

CPH pipe lifting clamps



Properties

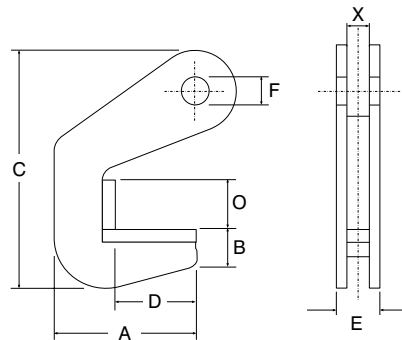
- Jaw is covered with a special high quality pressure resistant plastic.
- These clamps must always be used in pairs.
- Exclusive fasteners.

Application

- For horizontal lifting and transporting of steel and concrete pipes without damaging the product.

Norm:

- EN12100-1/2, EN13155, AS4991, ASME-B30,20



Type	WLL/pair (kg)	Jaw opening O (mm)	A (mm)	B (mm)	C (mm)	D (mm)	E (mm)	F (mm)	X (mm)	Weight/pair (kg)	ProductId
CPH-1.5	1500/2	40	120	32	185	70	41	16	23	3.2/2	3313025
CPH-3.0	3000/2	40	120	32	185	70	41	16	23	3.2/2	3313027
CPH-4.0	4000/2	50	140	58	180	70	41	26	23	6.0/2	3313029
CPH-6.0	6000/2	50	140	58	180	70	41	26	23	6.0/2	3313031
CPH-8.0	8000/2	70	140	58	200	70	45	26	25	7.2/2	3313033
CPH-10.0	10000/2	70	140	58	200	70	86	26	44	10.0/2	3313034
CPH-12.0	12000/2	70	140	58	200	70	86	26	44	12.0/2	3313035
CPH-15.0	15000/2	70	155	75	250	70	100	26	59	18.0/2	3313037
CPH-20.0	20000/2	70	155	75	250	70	100	26	59	20.0/2	3313039

CRK tube lifting clamps

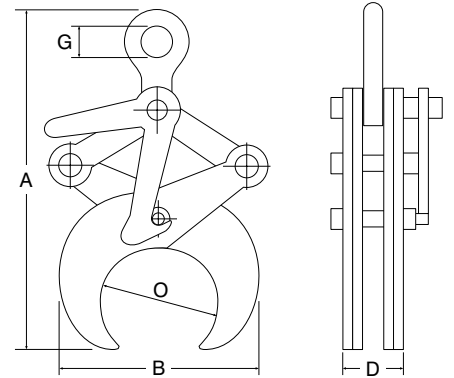


Properties

- For horizontal lifting and transporting of tubes, pipes, tube bundles, rolls and other solid round materials
- The clamp is locked in the open position.
- To perform lifting, the operator must lift the handle while the force on the lifting eye is being applied.
- When laying down the load, the clamp automatically opens.

Norm:

- EN12100-1/2, EN13155, AS4991, ASME-B30,20



Type	WLL (kg)	Jaw opening (O) min-max (mm)	A min-max (mm)	B min-max (mm)	D (mm)	G (mm)	Weight (kg)	ProductId
CRK-0.5	500	49-114	300-400	215	47	45	4.5	3311001
CRK-1.0	1000	114-219	470-560	345	51	45	9.0	3311003
CRK-2.0	2000	219-368	754-870	610	60	65	31.0	3311005
CRK-3.0	3000	368-508	840-1100	770	60	65	39.0	3311007

CBKN block lifting clamps



Properties

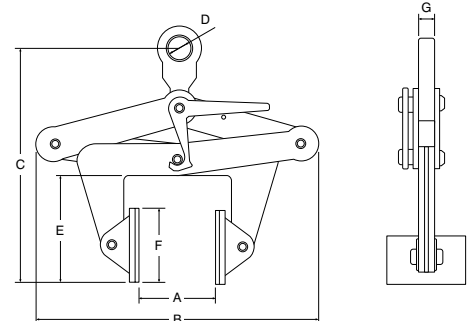
- 2 special synthetic anti-friction pads to guarantee non-marking.
- Lightweight design and easy to use.
- Tough quality heavy duty body.
- Maintenance-friendly, easy to exchange parts which are available upon request.

Application

- For vertical lifting and transporting of all plates, blocks and structures with parallel sides without marking, scratching and or damaging the material surface.
- Perfect for lifting materials such as (stainless) steel, aluminum, nature stone, composite, painted materials, wood, glass, plastic, etc.
- The clamp is locked in the open position.

Norm:

- EN12100-1/2, EN13155, AS4991, ASME-B30,20



Type	WLL (kg)	Jaw opening (mm)	B (mm)	C (mm)	D (mm)	E (mm)	F (mm)	G (mm)	Weight (kg)	ProductId
CBKN-0.5	500	30-110	270-325	305-460	45	100	80 x 70	15	7	3312013
CBKN-1.0	1000	100-230	425-530	380-655	45	140	80 x 70	15	12	3312015
CBKN-2.0	2000	220-360	580-675	410-735	45	170	80 x 70	16	18	3312017
CBKN-3.0	3000	350-500	725-835	530-900	65	200	100 x 90	20	32	3312019

PU-10 pallet puller



Properties

- Single clippers with wider jaw openings.

Application

- Suitable for wooden pallets and crates.

Type	WLL (kg)	Jaw opening (mm)	Length (mm)	Weight (kg)	ProductId
PU10	2200	90	760	9,5	3260010

PU-20 pallet puller



Properties

- Single clippers with wider jaw openings.

Application

- Suitable for wooden pallets and crates.

Type	WLL (kg)	Jaw opening (mm)	Length (mm)	Weight (kg)	ProductId
PU20	2200	190	495	5,5	3260020

PU-30 pallet puller



Single clippers with wider jaw openings.
Suitable for wooden pallets and crates.

Properties

- For maximum grip with handle for easy positioning.

Application

- Suitable for wooden and steel pallets and crates.

Type	WLL (kg)	Jaw opening (mm)	Length (mm)	Weight (kg)	ProductId
PU30	2200	110	390	6,5	3260030

Special clamps



REMA grabs are available in many versions and can be used for transferring and loading all kinds of goods such as:

Applications:

- bales
- beams
- blocks
- cylinders
- crates
- sheets
- profiles
- rolls
- drums
- bags

Beam clamps

162

Superclamp

166



Model
Capacity Serial
Year CE

CSVW spindle beam clamps



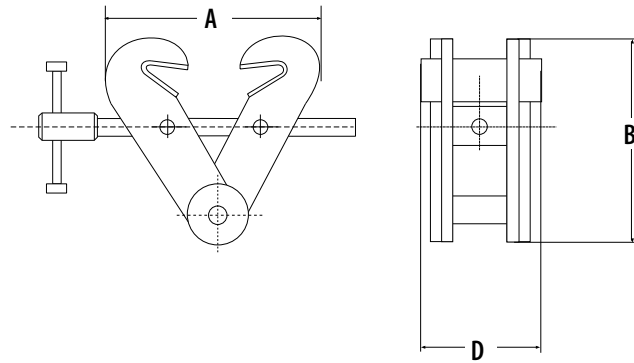
Developed for lifting steel beams or as a semi permanent hoist eye.

Properties:

- Beam clamp equipped with spindle for quick and easy mounting on a beam.
- Safety factor of at least 5 x WLL.
- Each clamp is 2 x WLL test.

Norm:

- EN12100-1/2, EN13155, AS4991, ASME-B30,20



Type	WLL (kg)	Jaw opening (mm)	A (mm)	B (mm)	D (mm)	Weight (kg)	ProductId
CSVW-1.0	1000	75 - 190	135 - 250	170	120	3	3367001
CSVW-2.0	2000	75 - 190	135 - 250	170	120	4	3367002
CSVW-3.0	3000	75 - 190	135 - 250	170	120	4	3367003
CSVW-5.0	5000	150 - 300	230 - 380	325	180	12	3367005

CSV spindle beam clamps with eye



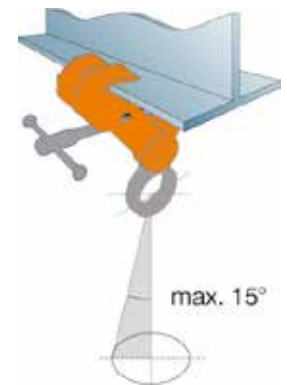
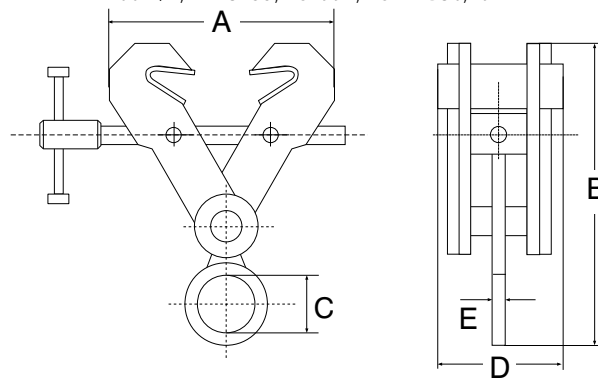
Suitable for lifting steel beams or can be utilized as semi-permanent lifting eyes.

Properties

- Beam clamp equipped with spindle for quick and easy mounting on a beam.
- Safety factor of at least 5 x WLL.
- Each clamp is 2 x WLL test.

Norm:

- EN12100-1/2, EN13155, AS4991, ASME-B30,20



Type	WLL (kg)	Jaw opening (mm)	A (mm)	B (mm)	C (mm)	D (mm)	E (mm)	Weight (kg)	ProductId
CSV-1.0	1000	75 - 190	135 - 250	300	75	120	16	4	3368001
CSV-2.0	2000	75 - 190	135 - 250	300	75	120	16	5	3368002
CSV-3.0	3000	75 - 190	135 - 250	300	75	120	16	5	3368003
CSV-5.0	5000	150 - 300	230 - 380	450	80	180	20	15	3368005

KSB spindle beam clamps



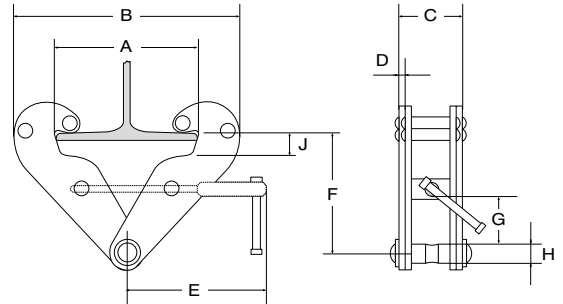
For safe lifting and moving of steel beams or as a fixed suspension point.

Properties

- Low constructional height.
- Easy mounting due to the spindle.
- Suitable for both IPE or INP steel beams.
- Safetyfactor: 4 x rated load capacity.
- Allen screw for extra safety.

Norm:

- EN12100-1/2, EN13155, AS4991, ASME-B30,20



Type	WLL (kg)	Jaw opening (mm)	A max (mm)	B max (mm)	B min (mm)	C (mm)	D (mm)	E (mm)	F max (mm)	F min (mm)	G (mm)	H (mm)	J (mm)	Weight (kg)	ProductId
KSB-1	1000	80 - 240	270	370	183	94	4	198	154	100	22	21	23	4	3317001
KSB-2	2000	80 - 240	270	370	183	102	6	198	154	100	22	21	23	5	3317002
KSB-3	3000	90 - 330	355	500	243	132	8	263	219	148	46	23	35	8	3317003
KSB-5	5000	90 - 330	355	500	243	142	10	263	219	148	43	29	35	11.5	3317005
KSB-10	10000	90 - 350	364	521	269	180	12	285	239	165	51	39	35	16.5	3317010

KSBO spindle beam clamps with eye



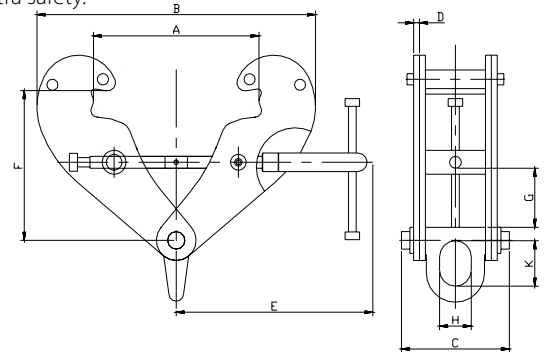
For lifting and transportation of beams or as fixed suspension points.

Properties

- Equipped with suspension eye.
- Locking spindle by means of Allen screw for extra safety.
- Easy assembly by spindle.
- Suitable for IPE and INP bars.
- Safety factor 4 x WLL.

Norm:

- EN12100-1/2, EN13155, AS4991, ASME-B30,20



Type	WLL (kg)	Jaw opening (mm)	A max (mm)	B min (mm)	B max (mm)	C (mm)	D (mm)	E (mm)	F max (mm)	F min (mm)	G (mm)	H (mm)	K (mm)	Weight (kg)	ProductId
KSBO-1	1000	80-245	270	183	370	94	4	218	100	154	18	28	43	4.0	3317101
KSBO-2	2000	80-245	270	183	370	102	6	218	100	154	18	28	43	5.0	3317102
KSBO-3	3000	90-330	355	243	500	132	8	276	148	219	40	43	60	10.0	3317103
KSBO-5	5000	90-330	355	243	500	142	10	276	148	219	40	43	60	12.0	3317105
KSBO-10	10000	90-340	364	269	521	180	12	301	165	239	47	62	91	18.5	3317110

REMA RMBC Beam clamp



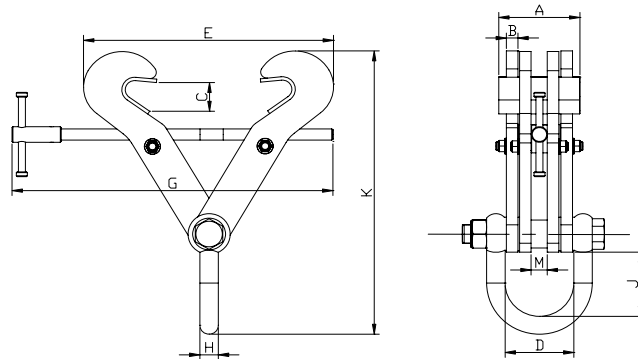
Adjustable spindle beam clamp for establishing a semi-permanent suspension point.

Properties

- Compact design and low own weight.
- Easy mounting.

Norm:

- EN12100-1/2, EN13155, AS4991, ASME-B30,20



Type	WLL (kg)	Jaw opening (mm)	A (mm)	B (mm)	C (mm)	D (mm)	E max. (mm)	G (mm)	H (mm)	J (mm)	K min (mm)	M (mm)	Weight (kg)	ProductId
RMBC-2T	2000	76-190	125	14	27	107	272	276	20	85	254	42.5	4	3318201
RMBC-3T	3000	76-190	130	14	27	107	272	276	20	85	254	42.5	8	3318203
RMBC-5T	5000	150-305	140	14	46	122	450	409	25	99	319	57.5	15	3318205
RMBC-6T	6000	203-457	140	14	55	116	600	559	25	99	418	50	18.8	3318206
RMBC-10T	10.000	203-457	140	20	55	119	600	559	32	99	418	28	28	3318210
RMBC-15T	15.000	203-457	175	20	76	120	681	660	40	185	555	28	47	3318215
RMBCE-15T	15.000	406-610	175	20	76	120	834	810	40	185	634	28	52.8	3318216

REMA RMBCV Beam clamp with swivel jaw



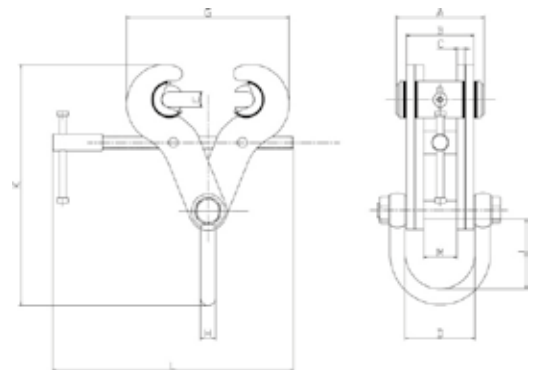
REMA RMBCV with adjustable jaws is an adjustable spindle beam clamp that grips the flange of the beam in an optimal way.

Properties

- Robust design.
- Wide jaw openings.
- Quick assembly.

Norm:

- EN12100-1/2, EN13155, AS4991, ASME-B30,20



Type	WLL (kg)	Jaw opening (mm)	A (mm)	B (mm)	C (mm)	D (mm)	E (mm)	G max. (mm)	H (mm)	J (mm)	K min (mm)	L (mm)	M (mm)	Weight (kg)	ProductId
RMBCV-3T	3000	89-305	144	102	8	107	25.4	418	20	100	322	410	10	10.0	3318303
RMBCV-5T	5000	89-305	144	118	14	122	25.4	418	25	115	346	409	57.5	15.5	3318305
RMBCV-10T	10.000	89-305	144	114	20	119	25.4	426	32	106	355	409	28	22.0	3318310

REMA RMAC Beam clamp



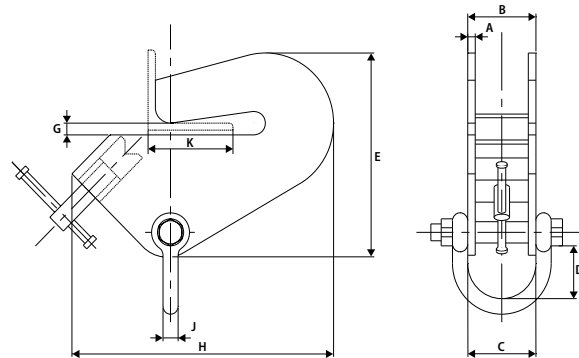
Adjustable spindle beam clamp for creating a semi-permanent suspension point. With a second screw fastens the clamp to prevent movement.

Properties

- Simple and quick assembly.
- Suitable for various sizes of angle profile.

Norm:

- EN12100-1/2, EN13155, AS4991, ASME-B30,20



Type	WLL (kg)	A (mm)	B (mm)	C (mm)	D (mm)	E (mm)	G (mm)	H (mm)	J (mm)	K (mm)	Weight (kg)	ProductId
RMAC-1T	1000	6	69	70	96	206	15	258	16	38-101	4.5	3318403
RMAC-1.5T	1500	8	99	107	98	270	19	346	20	50-152	11.0	3318405
RMAC-3T	3000	10	99	107	98	343	25.4	490	20	101-203	21.5	3318407

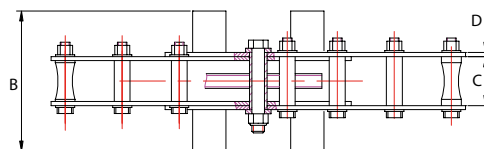
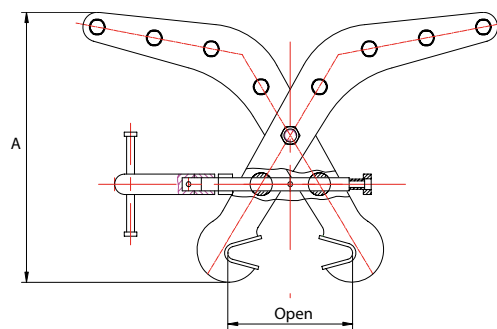
REMA RMMC Clamp



REMA RMMC mounting clamps have been developed to easily raise heavy loads. for mounting use 2 hoists, provided there is sufficient space above the beam.

Norm:

- EN12100-1/2, EN13155, AS4991, ASME-B30,20



Type	WLL (kg)	Jaw opening (mm)	A (mm)	B (mm)	C (mm)	D (mm)	Gewicht (kg)	ProductId
RMMC-0.2T	200	114-204	357	150	60	4	7.2	3318501

Superclamp PFC1 and PFC2



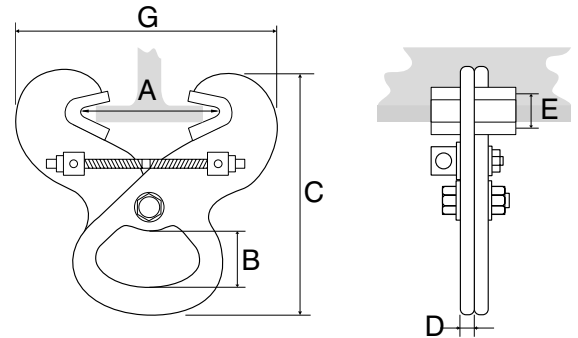
REMA Superclamp series S fitted with adjustable insets is an adjustable spindle beam clamp that grips beam flanges optimally allowing wider jaw openings.

Properties

- For light industrial applications.
- Compact design and low tare weight.
- Easy mounting.

Norm:

- EN12100-1/2, EN13157, EN2018, EN2009



Type	WLL (kg)	Jaw opening (mm)	A (mm)	B (mm)	C (mm)	D (mm)	E (mm)	G (mm)	Weight (kg)	ProductId
PFC1	1000	96 - 190	96 - 190	38	212	6	22	220	2.1	3501001
PFC2	2000	96 - 190	96 - 190	38	212	6	22	220	2.5	3501002

Superclamp S serial



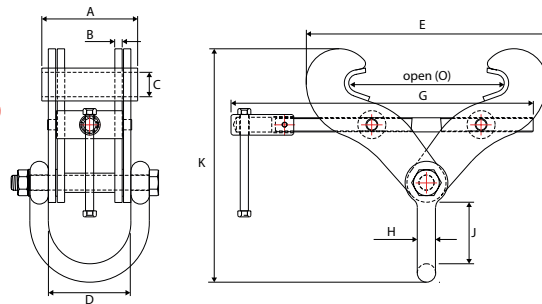
Adjustable spindle beam clamp for establishing a semi-permanent suspension point when loading at an angle.

Properties

- Compact design and low tare weight.
- Easy mounting.
-

Norm:

- EN12100-1/2, EN13157, EN2018, EN2009



Alternative see type RMBC Page 164

Type	WLL (kg)	Jaw opening (O) (mm)	A (mm)	B (mm)	C (mm)	D (mm)	E (mm)	G (mm)	H (mm)	J (mm)	K (mm)	Weight (kg)	ProductId
S1*	2000	76-190	125	3	22	90	188	275	20	77	250	4	3502001
S2*	3000	76-190	125	6	22	90	188	275	20	77	250	5.1	3502003
S2A*	3000	76-190	130	12.5	22	102	250	275	20	103	268	7.4	3502005
S3*	4000	150-254	130	10	22	112	327	410	25	98	332	10.4	3502007
S3X	5000	76-190	130	12.5	22	116	237	295	25	110	300	9	3502009
S3A*	5000	150-305	140	12.5	32	116	373	410	25	110	360	14.9	3502011
S4	7000	101-228	140	12.5	42	118	323	410	32	120	382	17.5	3502012
S4S	6000	203-457	140	12.5	42	116	498	560	25	110	459	18.8	3502013
S4A	10.000	203-457	140	20	42	118	498	560	32	112	476	27.3	3502015
S12	15.000	203-457	170	20	50	116.5	611	660	40	185	616	53.8	3502017
S14	15.000	406-610	175	20	63	116.5	795	810	40	185	673	63	3502019

Superclamp S serial with swivel jaw



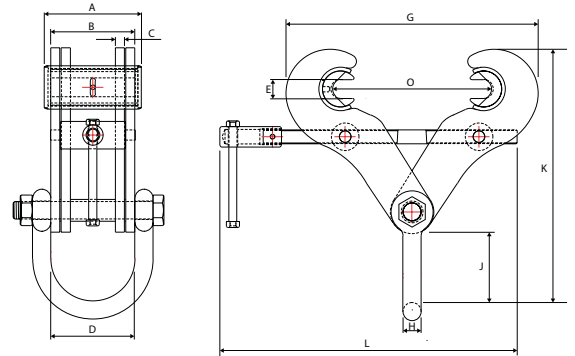
Adjustable spindle beam clamp for establishing a semi-permanent suspension point on angle steels.

Properties

- Robust design.
- Wide jaw openings.
- Easy mounting.
-

Norm:

- EN12100-1/2, EN13157, EN2018, EN2009



Alternative see type RMBCV Page 164

Type	WLL (kg)	Jaw opening (mm)	A (mm)	B (mm)	C (mm)	D (mm)	E (mm)	G (mm)	H (mm)	J (mm)	K (mm)	L (mm)	Weight (kg)	ProductId
S5	3000	89-305	134	93	6	95	25.4	348	20	102	359	410	10	3503001
S5A	3000	89-305	134	116	10	116	25.4	348	25	110	375	410	13.8	3503003
S6	5000	89-305	134	116	10	116	25.4	348	25	110	375	410	13.8	3503005
S6A	5000	89-305	134	116	12.5	116	25.4	348	25	110	375	410	15.2	3503007
S11	10.000	89-305	134	116	20	118	25.4	348	32	112	391	410	20.6	3503009

Superclamp Serial USC



Adjustable beam clamps for rail profiles.

Properties

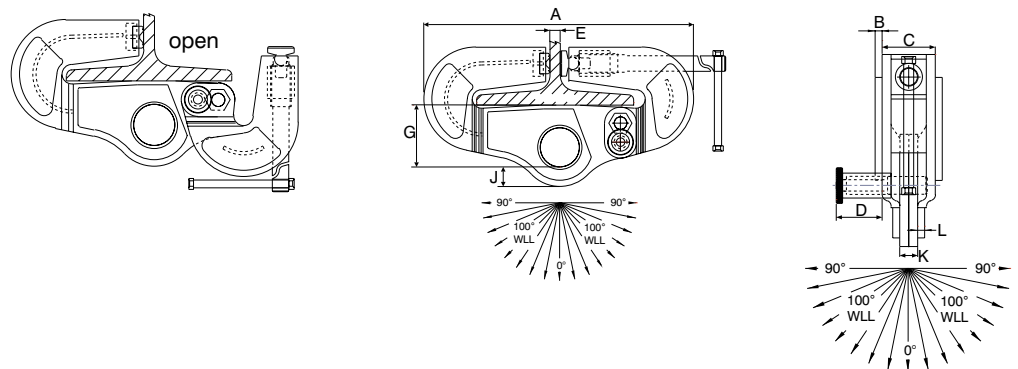
- Fitted with a special catch to prevent beams from displacement.
- With fixed suspension eyes allowing loads at any angles.
-

Application:

- To be use as a semi-permanent suspension point at angle beams.

Norm:

- EN12100-1/2, EN13157, EN2018, EN2009



Type	WLL (kg)	Jaw opening (mm)	A (mm)	B (mm)	C (mm)	D (mm)	E (mm)	G (mm)	H (mm)	J (mm)	Weight (kg)	ProductId
USC3A	3000	125-204	387	-	70	48	32	100	25.4	28	13.5	3507007
USC4	4000	125-305	518	10	70	48	32	100	25.4	28	23.5	3507009
USC5	5000	125-305	524	10	75	48	32	120	25.4	38	28.5	3507011

Superclamp serial AC



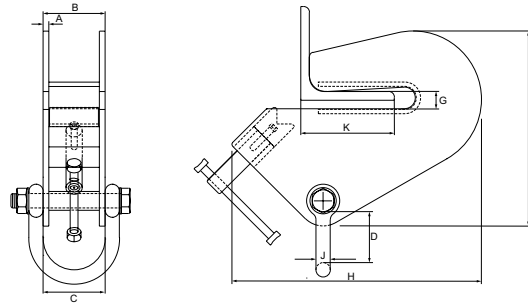
Adjustable beam clamps for establishing a semi-permanent suspension point for steel profiles.

Properties

- Easy and quick mounting.
- Suitable for various steel profiles.
-

Norm:

- EN12100-1/2, EN13157, EN2018, EN2009



Alternative see type RMAC Page 165

Type	WLL (kg)	Jaw opening (mm)	A (mm)	B (mm)	C (mm)	D (mm)	E (mm)	G (mm)	H (mm)	J (mm)	K (mm)	Weight (kg)	ProductId
AC1	500	15.0	4	65	70	102	206	15	258	16	38-101	4.5	3508001
AC2	1000	15.0	6	69	70	96	206	15	258	16	38-101	5.5	3508003
AC3	1500	15.0	8	86	90	73	270	15	346	20	50 - 152	11	3508005
AC4	3000	25.4	10	90	102	101	343	25.4	490	20	101-203	21.5	3508007

Superclamp R1 and R2



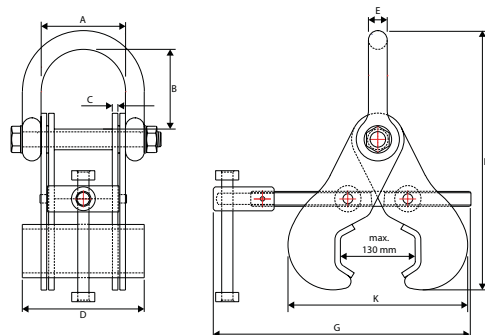
Developed for standard rail sections, the 'SUPERCLAMP' rail lifting clamp provides a reliable and secure grip on the rail when tightened. Its light weight, versatile adjustability and low maintenance requirements makes this 'SUPERCLAMP' product a popular unit for all engaged in rail construction, rail maintenance and rail manufacture.

Properties

- For rail-laying, rail maintenance and rail manufacturing

Norm:

- EN12100-1/2, EN13157, EN2018, EN2009



Type	WLL (kg)	Jaw opening (mm)	A (mm)	B (mm)	C (mm)	D (mm)	E (mm)	G (mm)	K (mm)	H (mm)	Weight (kg)	ProductId
R1	3000	113	90	85	6	130	20	275	275	277	6	3510001
R2	5000	113	116	110	12.5	130	25	275	275	311	9.5	3510003

Superclamp serial A



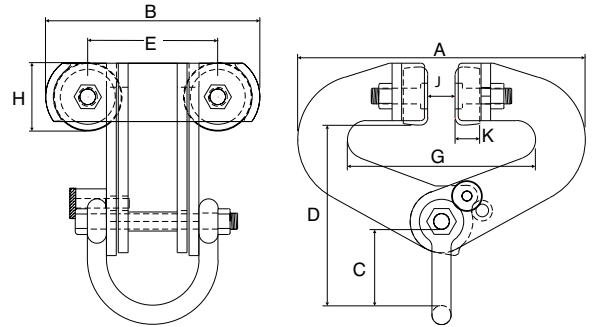
Hinged hand trolley with automatic locking.

Properties

- Can be mounted on rails easily and very quickly.
- With wheel fracture support device.
- Maximum beam thickness for type A1=28 mm and A2/A3 = 30 mm.

Norm:

- EN12100-1/2, EN13157, EN2018, EN2009



Alternative see type RMSLT Page 43

Type	WLL (kg)	Jaw opening (mm)	A (mm)	B (mm)	C (mm)	D (mm)	E (mm)	G (mm)	H (mm)	J (mm)	K (mm)	Weight (kg)	ProductId
A1	3000	76-230	380	280	110	250	170	76-230	82	30	32	21	3512001
A2	6000	100-305	500	296	110	290	170	100-305	88	40	38	33	3512003
A3	10.000	100-305	580	290	135	310	170	100-305	109	40	38	47.5	3512005

Superclamp serial BA



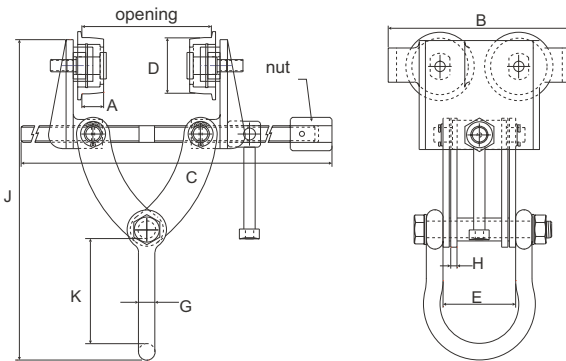
Adjustable spindle hand trolley with rod-type securing nuts.

Properties

- Compact design and low tare weight.
- Can be mounted quickly by means of a spindle.
- Rod-type securing nuts for added safety.
- With wheel fracture support device.
- Maximum beam thickness for type A1=28 mm and A2/A3 = 3 mm.

Norm:

- EN12100-1/2, EN13157, EN2018, EN2009



Alternative see type RMBT-2 Page 43

Type	WLL (kg)	Jaw opening (mm)	A (mm)	B (mm)	C (mm)	D (mm)	E (mm)	G (mm)	H (mm)	J (mm)	K (mm)	Weight (kg)	ProductId
BA1	1000	63-203	14	176	360	46	70	16	6	309	101	6.5	3513001
BA2	1500	76-203	21	176	360	54	70	16	6	309	101	7.2	3513003
BA3	2000	76-203	21	176	360	54	70	16	8	309	101	7.2	3513005

Superclamp B serial



Adjustable spindle hand trolley with rod-type securing nuts.

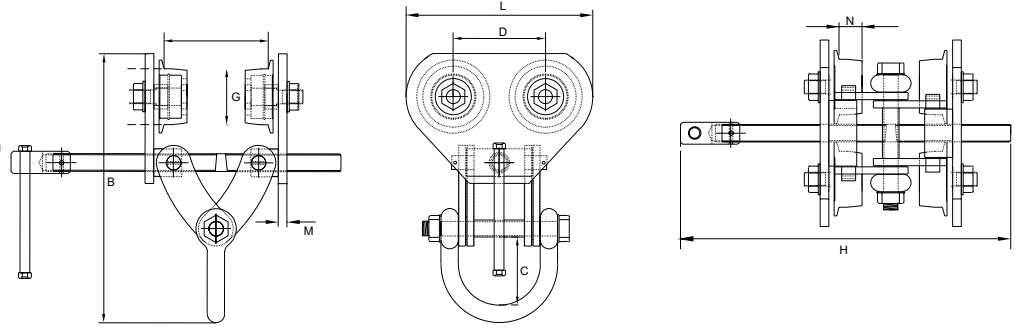
Properties

- Robust design.
- Can be mounted quickly by means of a spindle.
- Rod-type securing nuts for added safety.
- With wheel fracture support device.

Norm:

- EN12100-1/2, EN13157, EN2018, EN2009

Alternative see
type RMBT
Page 43



Type	WLL (kg)	Jaw opening (mm)	A (mm)	B (mm)	C (mm)	D (mm)	G (mm)	H (mm)	L (mm)	N (mm)	Weight (kg)	ProductId
B1	3000	76-203	76-203	395	112	133	82	480	269	33	23,5	3514001
B2	6000	105-305	105-305	515	100	176	125	560	356	34	50	3514003
B3	10.000	105-305	105-305	570	130	200	145	785	430	41	74,5	3514005

REMA DG10 drum grab

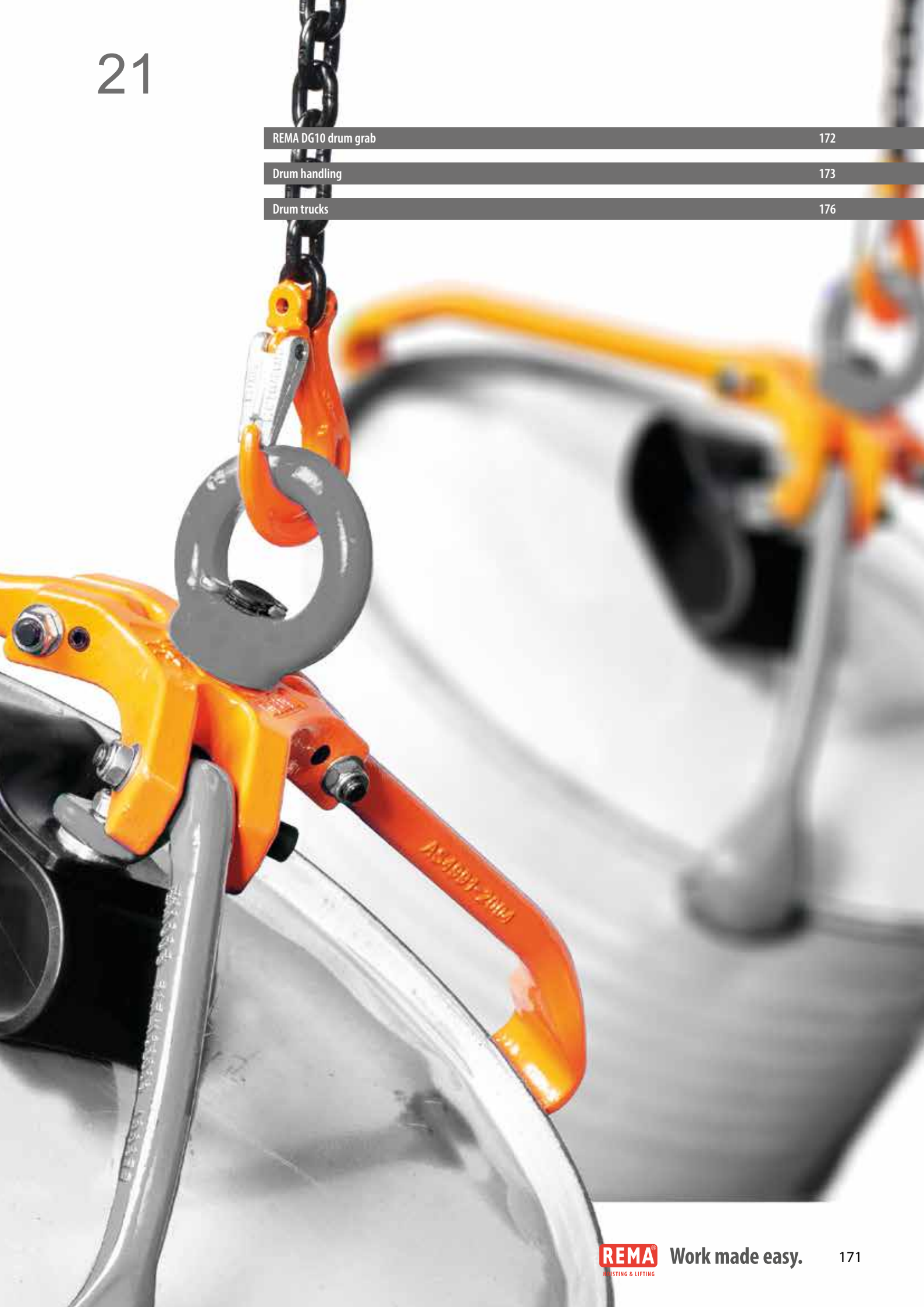
172

Drum handling

173

Drum trucks

176



REMA DG10 drum grab



The REMA DG10 is an innovative patented invention for quickly and safely lifting 220 liters of steel and plastic drums with an edge diameter of 570 to 610 mm. The drums can be lifted both from standing and lying position. Furthermore, it is possible to lift a specific drum from the middle of a group of barrels.

User information

- It is easy to mount the grab on the rim of a drum by pulling the grey movable handle over the drum rim.

Technical specifications

- Patented.
- Test load 2000 kg.
- Safety factor 5.
- 360 degree rotatable lifting eye.
- Self-centering.
- Fast and safe to use.

Application

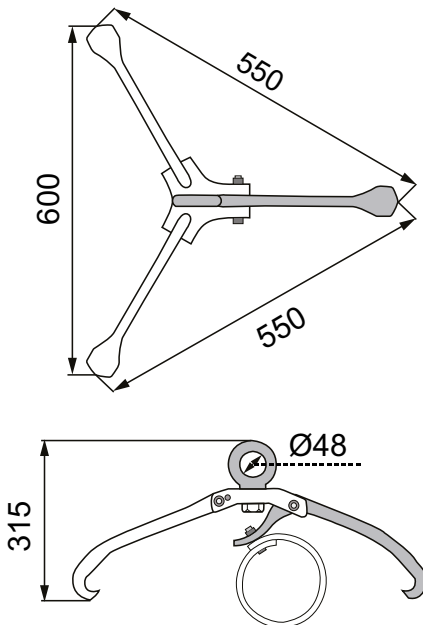
- For steel and plastic vessels with an edge diameter of 570 to 610 mm.
- Oil processing industry.
- Chemical industry.
- Workplaces.
- Agricultural sector.
- Waste processing industry.
- Food industry.
- Transport sector.
- Military purposes.
- Shipping

Important

- The drums must have a thickened edge with a diameter of 570 to 610 mm.

Norm:

- EN12100-1/2, EN13155



Type	WLL (kg)	Dimensions (mm)	Jaw opening (mm)	Height (mm)	Weight (kg)	ProductId
DG10	1000	550-600	570-610	315	8.0	3308201

CVA Barrel clamp

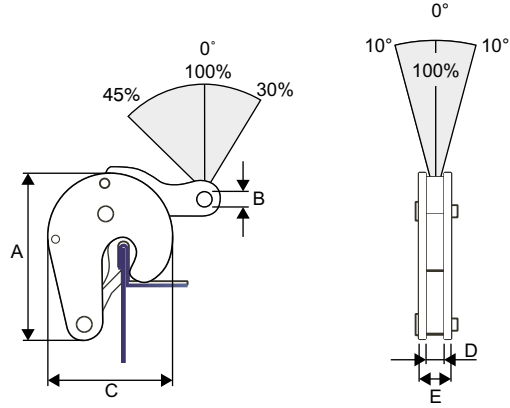


Properties:

- Intended for safe lifting and handling of standing steel barrels containing liquids.
- Automatic locking mechanism.
- Complete with suspension eye.

Norm:

- EN12100-1/2, EN13155, AS4991, ASME-B30,20



Type	WLL (kg)	Jaw opening (mm)	A (mm)	B (mm)	C (mm)	D (mm)	E (mm)	Weight (kg)	ProductId
CVA-0.5	500	0 - 17	121	12	96	15	28	1,6	3308001

CVB barrel clamp

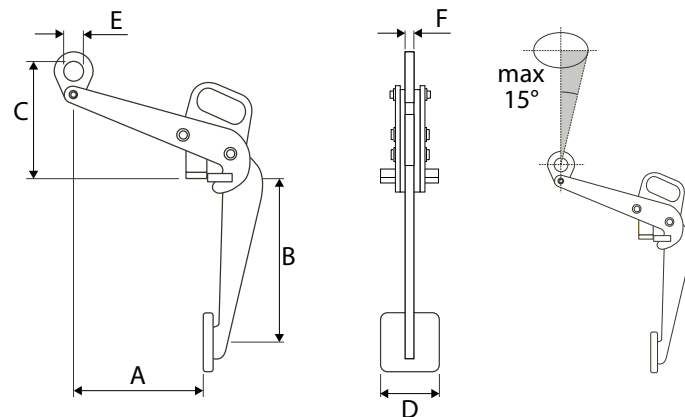


Properties:

- Intended for safe lifting and handling of barrels allowing the lifted barrel to be held steadily in the vertical position.
- Easily operable locking mechanism.
- Complete with suspension eye.

Norm:

- EN12100-1/2, EN13155, AS4991, ASME-B30,20



Type	WLL (kg)	A (mm)	B (mm)	C (mm)	D (mm)	E (mm)	F (mm)	Weight (kg)	ProductId
CVB-0.5	500	305	434	330	100	50	10	7,1	3308003

Drum chain assembly (G8)



Intended for safe lifting and handling of steel barrels in horizontal position.

Properties

- 1 x RML-86-G10 masterlink (2631006)
- 2 x RCX-6mm C-link (2636006)
- 1,8 M chain 6 x 18 mm (2610006)
- 2 x drum hooks S-377 (2662006)

Norm:

- EN1677-1->7, EN818-1->4

Type	WLL (kg)	ProductId
RML-RCX-S377-1800	1000	2629020

DTS fork truck barrel clamp

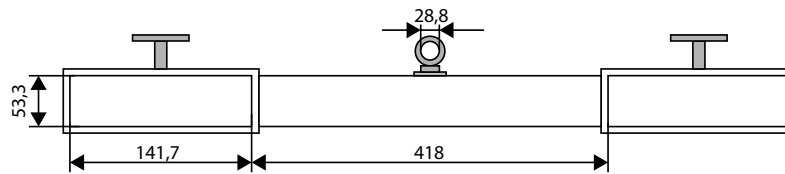


Properties

- Suitable for steel barrels of 210 liter capacity and max. diameter of 570 mm.
- Clamping force is provided by the dead weight of the full barrel.
- Can be easily mounted by simply pushing the clamp onto the fork.
- Robust steel construction.

Norm:

- EN12100-1/2, EN13155



Type	WLL (kg)	Jaw opening (mm)	Weight (kg)	ProductId
DTS-10	680	572	36	4252005

DD steel barrel dolly



A simple aid for handling steel barrels of 210 liter.

Properties

- Frame welded from steel band.
- Steer wheels with zinc-coated brackets.
- The threads of wheels are of oil- and water-resistant.
- Zinc-coated bolts and nuts.

Norm:

- EN12100

Type	WLL (kg)	Diameter (mm)	Weight (kg)	ProductId
DD-210	410	600	5	4252007

VK barrel clamp

For lifting different types of barrels.

Properties

- **VK-350** type for steel barrels.
- **VK-360** type for open and tightly closed steel barrels and plastic barrels with L- or X-rings.
- **VK-500** type for open or closed steel barrels.
- **VKH-500** for horizontal transport of steel barrels.
- Simply useable with a hoist or lifting hooks.

Norm:

- EN12100-1/2, EN13155



VK-350



VK-360



VK-500



VKH-500

Type	WLL (kg)	Weight (kg)	ProductId
VK-350	350	9,5	3308101
VK-360	360	4,5	3308103
VK-500	500	5	3308105
VKH-500	500	7,6	3308107

DH hydraulic barrel truck



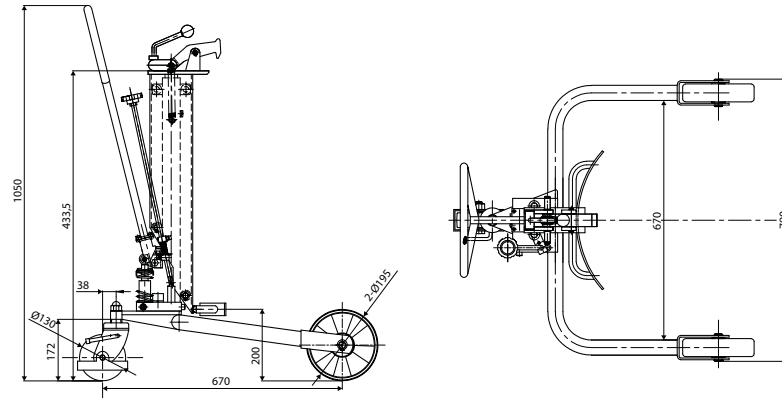
For handling steel barrels containing liquid in standing position (210 liter).

Properties

- Easy operation due to the hydraulic pump provided.
- Excellent rolling properties due to the combination of two large side wheels and a steer wheel.

Norm:

- EN12100



Type	WLL (kg)	Lifting height (mm)	Maximum barrel height (mm)	Weight (kg)	ProductId
DH-250	250	345	915	40	4252001

DM movable barrel truck swivel



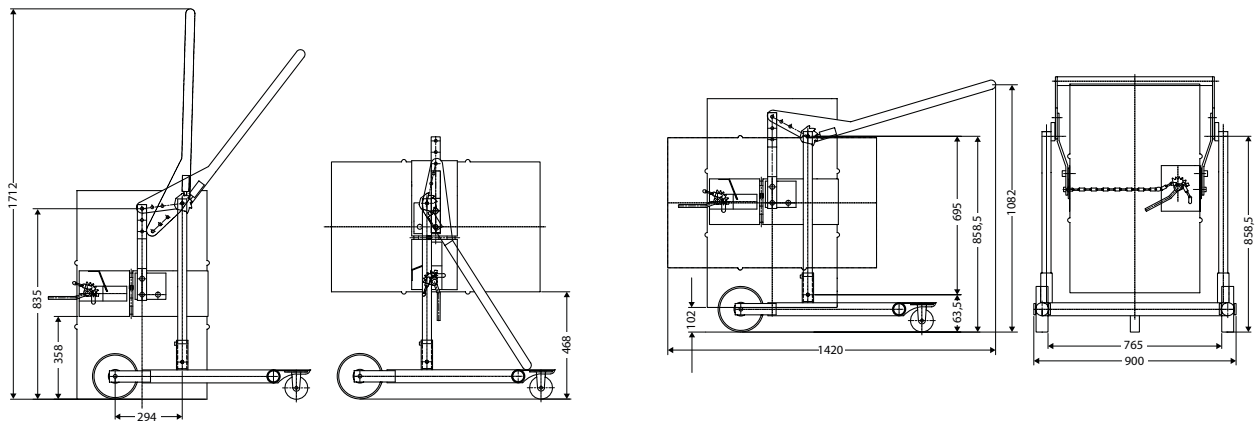
For lifting, handling, tipping and emptying of steel barrels (210 liter of liquid).

Properties

- Tipping arrangement with locking function both in vertical and horizontal positions.

Norm:

- EN12100



Type	WLL (kg)	Dimensions L x W (mm)	Lifting height (mm)	Maximum barrel height (mm)	Weight (kg)	ProductId
DM-365	365	1420 x 900	292	915	50	4252003

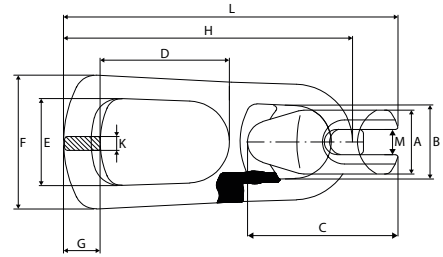


Concrete hook type RBH



For lifting PREFAB concrete plates.

Norm:
- EN1677



Type	WLL (kg)	B.F. (KN)	B (mm)	D (mm)	C (mm)	D (mm)	E (mm)	F (mm)	G (mm)	H (mm)	K (mm)	L (mm)	M (mm)	Weight (kg/pc/m)	ProductId
RBH-1.3	1.300	51.0	34	42	80.4	70.5	45	73	20.5	157.0	12.5	186	11.5	0.89	3010101
RBH-2.5	2.500	98.0	42	49	99.0	85	57	88	27.0	190.0	14.0	227	16.0	1.30	3010103
RBH-5	5.000	196.0	55	70	133.0	88	69	110	35.0	233.0	18.0	282	22.0	3.24	3010105
RBH-10	10.000	392.0	74	92	176.0	116	83	161	51.0	336.5	27.0	391	30.0	10.01	3010107
RBH-20	20.000	784.0	110	114.5	228.0	133.5	107.5	182	77.0	437.0	31.0	497	42.0	20.37	3010109

Stelcon chain sling assembly (G8)



Stelcon hooks can only be used for steel tubes 55 x 25 mm.

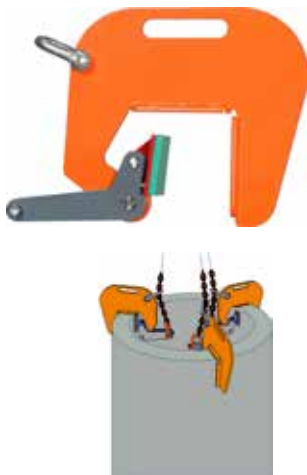
Properties

- 1 x RML-86-G10 masterlink. (2631006)
- 2 x 0,5 m 6 x 18 chain. (2610006)
- 4 x C-LINK. (2636006)
- 2 x G4163-1/2" Shackle. (3012009)
- 1 x Stelcon hook set. (2640001)

Norm:
- EN1677-1->7, EN818-1->4

Type	WLL (kg)	ProductId
REMA-10 STELCON 1500 KG	1500	2629010

CBA vertical concrete pipe lifting clamps.



Properties:

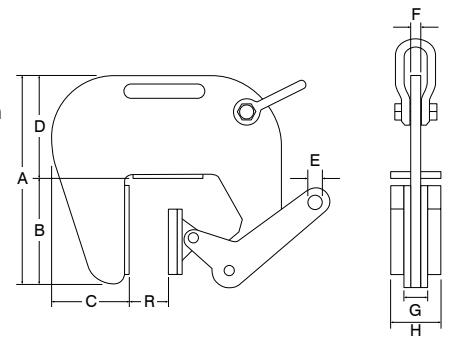
- Specifically developed for safe lifting of concrete pipes in vertical position.
- These clamps must always be used per 3 pieces.
- On special order supplied with chains and crane eyes.

Option

- Lifting chain: 3-legs chain/8mm/RMA-8/C-link/1500mm
ProductId: 2629040

Norm:

- EN12100-1/2, EN13155, AS4991, ASME-B30,20



Type	WLL/3 (kg)	Jaw opening (mm)	A (mm)	B (mm)	C (mm)	D (mm)	E (mm)	F (mm)	G (mm)	H (mm)	R (mm)	Weight/3 (kg)	ProductId
CBA-1.5	1500/3	60-120	320	170	110	160	12	12	40	60	60-120	30/3	3308007
CBA-3.0	3000/3	60-120	320	170	110	160	12	12	40	60	60-120	30/3	3308008

PFR Permanent lifting magnet	180
QPM Permanent lifting magnet	182
Hand- and compact crane magnet	184



- 0.3 mm		$\Delta < 0.3 - 0.5 \text{ mm}$	
Mmax. [kg]	Lmax. x Wmax. (mm x mm)	Mmax. [kg]	Lmax. x Wmax. (mm x mm)
L>400 W>400	L>120 W>245	L>400 W>400	L>120 W>245
380	370	255	250
320	290	220	200
1250 x 1250	195	1400 x 1000	150
1250 x 1250	95	1750 x 1000	80
1250 x 1250	220	2150 x 1000	165
1250 x 1250	180	2150 x 1000	125
1250 x 1250	100	2000 x 1000	80
1250 x 1250	200	Lmax. 3000	150
max. 3500			

REMA[®]
HOLLAND
PFR 500

PFR permanent lifting magnets



REMA PFR permanent lifting magnets are manufactured from neodymium magnetic material resulting in very powerful lifting magnets in relation to the own weight and dimensions. REMA PFR permanent lifting magnets are suitable for both round and flat workpieces.

Properties

- Safety factor 3.
- Powerful Neodymium magnet material.
- Very high lifting capacity.
- Easy operation.
- Light mechanical operation with safety lever.
- Large lifting eye.
- Compact design.
- Low own weight.
- Robust construction of house and magnet.

Application

- Workshops, warehouses and machine tools such as cutting, milling, grinding and sawing machines, bending machines and lathes.

Option

- Tilt arm for PFR 250 (3601013) and PFR500 (3601015)

Norm:

- EN12100-1/2, EN13155

Type	WLL (kg)	Safe working load round material (kg)	Material thickness (mm)	max dimensions plate (L x B) (mm)	Dimensions L x W x H (mm)	Diameter range (mm)	Weight (kg)	ProductId
PFR-125	125	50	25	1900 x 500	95 x 60 x 110	50-100	3.0	3601004
PFR-250	250	125	30	1750 x 1000	151 x 100 x 168	60-200	10.0	3601005
PFR-500	500	250	40	1800 x 1500	246 x 120 x 168	65-270	19.0	3601007
PFR-1000	1000	500	60	2450 x 1500	316 x 148 x 216	100-300	37.0	3601009
PFR-1500	1500	750	60	2450 x 1500	410 x 165 x 253	150-350	50.0	3601010
PFR-2000	2000	1000	80	3250 x 1500	480 x 165 x 251	100-350	85.0	3601011

HA lifting arm to lift and turn plates with PFR



For lifting and tilting steel plates up to 500 kg. From horizontal to vertical.

Properties

- HA-250 for plates with a width of 250-800 mm and a length of 200-1500 mm.
- HA-500 for plates with a width of 250-1000 mm and a length of 250-2000 mm.

Application

- The tilting of steel plates in warehouses and workshops.



Type	WLL (kg)	Dimensions L x W x H (mm)	Weight (kg)	ProductId
HA-250	250	960 x 210 x 255	17	3601013
HA-500	500	1160 x 275 x 255	19	3601015

PFR Capacity table



Safe working load limit for flat steel sheets (S 235 JR [ST-37])

Type	Material thickness (mm)	clean and smooth surface air gap 0.1 mm			rusty / hot rolled surface air gap 0.1 - 0.3 mm			irregular and rough surface air gap 0.3 - 0.5 mm			very rough surface air gap > 0.5 mm
		Max. dim. (mm)	WLL (kg) for plate dimensions below		Max. dim. (mm)	WLL (kg) for plate dimensions below		Max. dim. (mm)	WLL (kg) for plate dimensions below		
PFR 125		(L x B)	L > 200 B > 200	L > 60 B > 100	(L x B)	L > 200 B > 200	L > 60 B > 100	(L x B)	L > 200 B > 200	L > 60 B > 100	
	≥ 25	-	125	110	-	75	70	-	60	55	
	15	1900 x 500	115	100	1100 x 500	70	60	900 x 500	55	45	
	10	2300 x 500	110	65	1500 x 500	65	50	1200 x 500	50	40	
	4	2500 x 500	45	17	2300 x 500	40	17	1700 x 500	30	15	
	2	1500 x 500	15	4	1300 x 500	13	3	1200 x 500	12	3	
	Ø 50-100	Lmax 2500	40	Lmax 1700	28	Lmax 1700	24				
PFR 250		(L x B)	L > 300 B > 300	L > 100 B > 150	(L x B)	L > 300 B > 300	L > 100 B > 150	(L x B)	L > 300 B > 300	L > 100 B > 150	
	≥ 30	-	250	225	-	170	150	-	105	100	
	15	1750 x 1000	205	155	1250 x 1000	150	120	1000 x 800	90	85	
	10	2200 x 1000	170	80	1650 x 1000	130	65	1100 x 1000	85	53	
	6	2100 x 1000	100	34	1650 x 1000	80	28	1300 x 1000	60	23	
	4	1600 x 1000	50	17	1400 x 1000	45	14	1150 x 1000	36	12	
	Ø 60-200	Lmax 3500	125	Lmax 3000	100	Lmax 2500	70				
PFR 500		(L x B)	L > 400 B > 400	L > 110 B > 245	(L x B)	L > 400 B > 400	L > 110 B > 245	(L x B)	L > 400 B > 400	L > 110 B > 245	
	≥ 40	-	500	480	-	380	370	-	255	250	
	20	1800 x 1500	425	365	1650 x 1250	320	290	1400 x 1000	220	200	
	15	2250 x 1500	400	235	2050 x 1250	300	195	1750 x 1000	205	150	
	10	2500 x 1500	270	115	2350 x 1250	220	95	2150 x 1000	165	80	
	8	2300 x 1500	195	80	2250 x 1250	160	65	2150 x 1000	125	55	
6	2000 x 1500	125	50	2000 x 1250	100	40	2000 x 1000	80	33		
	Ø 65-270	Lmax 4000	250	Lmax 3500	200	Lmax 3000	150				
PFR 1000		(L x B)	L > 500 B > 500	L > 145 B > 310	(L x B)	L > 500 B > 500	L > 145 B > 310	(L x B)	L > 500 B > 500	L > 145 B > 310	
	≥ 60	-	1000	985	-	845	835	-	650	645	
	30	2450 x 1500	860	710	2000 x 1500	730	620	1900 x 1250	565	515	
	25	2850 x 1500	830	535	2400 x 1500	705	475	2250 x 1250	550	410	
	20	3200 x 1500	745	365	2750 x 1500	640	320	2600 x 1250	510	290	
	15	3300 x 1500	500	215	2900 x 1500	445	195	2800 x 1250	380	175	
10	2750 x 1500	265	105	2550 x 1500	240	95	2650 x 1250	200	85		
	Ø 100-300	Lmax 4500	500	Lmax 4000	400	Lmax 3500	300				
PFR 1500		(L x B)	L > 800 B > 800	L > 170 B > 400	(L x B)	L > 800 B > 800	L > 170 B > 400	(L x B)	L > 800 B > 800	L > 170 B > 310	
	≥ 80	-	1500	1460	-	1420	1200	-	1020	980	
	50	3000 x 1200	1460	1250	2500 x 1200	1200	1050	2000 x 1200	960	900	
	30	3500 x 1200	980	430	3250 x 1200	900	390	2500 x 1300	780	350	
	20	3500 x 1400	760	310	3000 x 1600	750	290	2500 x 1750	695	270	
	15	3000 x 1500	540	195	3000 x 1500	530	180	2500 x 1400	420	160	
	Ø 150-350	Lmax 5000	750	Lmax 4500	700	Lmax 3500	600				
PFR 2000		(L x B)	L > 800 B > 800	L > 170 B > 500	(L x B)	L > 800 B > 800	L > 170 B > 500	(L x B)	L > 800 B > 800	L > 170 B > 500	
	≥ 80	-	2000	1950	-	1650	1600	-	1300	1250	
	50	3250 x 1500	1950	1600	2500 x 1500	1600	1350	2000 x 1500	1250	1150	
	30	3500 x 1500	1350	550	3250 x 1500	1150	500	2500 x 1500	1000	450	
	20	3500 x 2000	1100	400	3000 x 2000	1000	375	2500 x 2000	900	350	
	15	3000 x 1500	650	250	3000 x 1500	600	230	2000 x 1500	550	200	
	Ø 100-350	Lmax 5000	1000	Lmax 4500	900	Lmax 4000	800				

ask our sales

QPM permanent lifting magnets



REMA QPM Neodymium permanent lifting magnets are suitable for lifting and transporting flat and cylindrical ferromagnetic materials ("magnetically supported as steel").

Properties

- Safety factor 3.5.
- High-quality Neodymium magnet material [NdFeB].
- Virtually no residual magnetism after decoupling prevents accidents.
- Simple and light lever operation with safety button.
- V-groove makes it possible to hoist cylindrical workpieces next to flat surfaces.
- Compact and robust construction with a large lifting eye.

Type selection:

- Choose the type of magnet to match the load to be lifted.
- Important features are the thickness, weight, size of the magnetic surface, material specification, surface structure, air gap and symmetrical load.

Application:

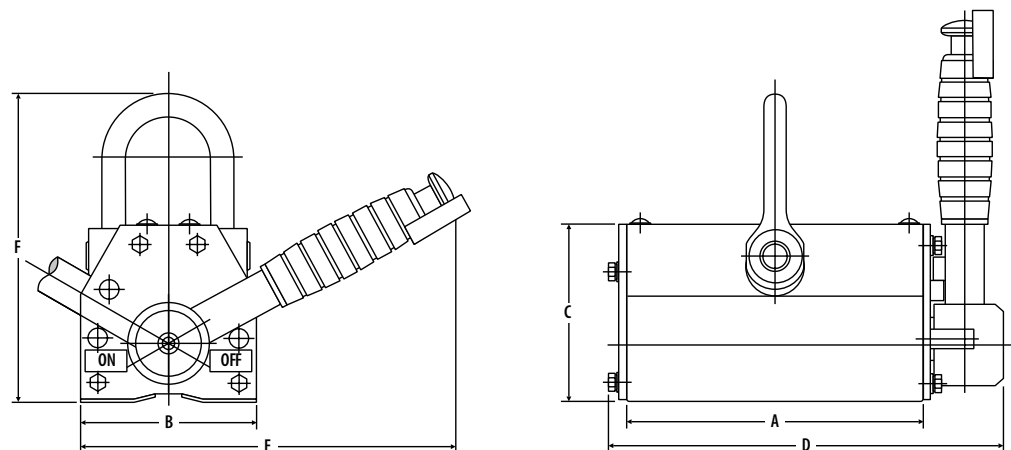
- REMA QPM permanent lifting magnets can be used as grabs in lifting and hoisting applications for horizontal and vertical materials handling in stores, steel construction manufacturing plants, machine and assembly bays etc.

IMPORTANT:

- Never exceed the safe workload.
- The full lifting force is only achieved if the surface of the steel plate to be lifted (St 37k and 25 mm thick) is processed, smooth and clean.
- Note that only one plate is lifted at a time when lifting thin sheets from a stack.
- Note the "peeling action" when lifting thin plates, these will bend and can become detached from the lifting magnet.
- Never let a lifting magnet come down hard on the ground.
- It is forbidden to be under the load of a lifting magnet, no persons should be put in danger while working with lifting magnets.
- Never lift loads on which loose objects are located.
- Do not lift uneven and porous workpieces.
- Surface must be dry, clean, oil and grease free.
- Lifting magnets only start on company-safe cranes and load hooks etc.
- Prevent shock loads during lifting and place the load in a controlled manner.
- Always check the quality of the control knob on the handle, guide and safety pin before use.
- Have the lifting magnet inspected and inspected by an authorized person or body every year.

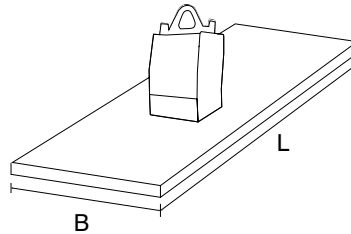
Norm:

- EN12100-1/2, EN13155



Type	WLL (kg)	A (mm)	B (mm)	C (mm)	D (mm)	E (mm)	F (mm)	Lever length (mm)	Weight (kg)	ProductId
QPM-100	100	84	62	67	130	150	116	84	2.6	3610001
QPM-300	300	154	92	91	206	195	160	154	9.6	3610003
QPM-600	600	224	122	117	285	254	213	196	23.0	3610006
QPM-1000	1000	250	176	163	322	372	288	264	54.0	3610010

QPM capacity table



Safe working load limit for flat steel sheets (S 235 JR [ST-37])

Type	Material thickness (mm)	clean and smooth surface air gap 0.1 mm			rusty / hot rolled surface air gap 0.1 - 0.3 mm			irregular and rough surface air gap 0.3 - 0.5 mm		
		Max. dim. (mm)	WLL (kg) for plate dimensions below		Max. dim. (mm)	WLL (kg) for plate dimensions below		Max. dim. (mm)	WLL (kg) for plate dimensions below	
		(L x B)	L > 150 B > 150	L > 62 B > 116	(L x B)	L > 150 B > 150	L > 62 B > 116	(L x B)	L > 300 B > 300	L > 92 B > 192
QPM-100	≥ 20	-	100	80	-	50	46	-	-	-
	15	800 x 600	88	60	700 x 500	45	40	-	-	-
	10	500 x 400	55	40	400 x 300	35	30	-	-	-
	4	300 x 300	20	12	300 x 300	18	10	-	-	-
	Ø 70	Lmax 1000	30		-	-		-	-	
QPM-300	≥ 30	-	300	216	-	150	145	-	108	108
	15	1500 x 1500	264	168	1000 x 700	138	126	1000 x 700	102	95
	10	2000 x 1500	204	108	1500 x 1000	132	78	1000 x 1000	96	66
	5	2000 x 1000	114	36	1500 x 1000	78	30	1000 x 1000	66	24
	Ø 90	Lmax 2000	100		-	-		-	-	
QPM-600	≥ 40	-	600	480	-	380	330	-	282	244
	20	2000 x 1500	560	370	1500 x 1200	350	290	1400 x 1000	264	228
	10	2000 x 1500	318	132	2000 x 1250	240	108	1500 x 1000	198	96
	8	2000 x 1500	260	100	2000 x 1300	215	83	1500 x 1000	168	78
	Ø 110	Lmax 2600	200		Lmax 2000	160		Lmax 1500	120	
QPM-1000	≥ 60	-	1000	995	-	810	790	-	640	605
	30	2000 x 1500	965	515	2000 x 1400	780	450	2100 x 1100	620	400
	25	2100 x 1800	880	390	2000 x 1600	720	340	2000 x 1000	590	305
	20	2100 x 1800	715	270	2000 x 1600	600	230	2000 x 1100	510	215
	15	2000 x 1600	375	155	2000 x 1400	350	145	1700 x 1100	325	135
	10	2000 x 1600	270	80	2000 x 1400	230	70	1600 x 1100	215	70
	Ø 120	Lmax 3400	300		-	-		-	-	

PK/MK compact hand magnets



REMA PK and MK hand magnets are an indispensable tool in places where a lot of steel plates are used.

Properties

- GS-approved.
- Oil and grease have little influence on the magnetic force.
- The carrying handle is robust, ergonomic and plastic-coated.
- It is easy to detach the magnet from the workpiece by pressing down the handle or lever at the crane magnets, the leaf spring pushing the magnet loose without damaging the workpiece.
- After releasing the magnet, the workpieces are not magnetic.
- PK type is equipped with a plastic housing.
- Safety factor 2.

Application

- Horizontally or vertically stored blank steel sheets from stock to the workplace.
- Safe manoeuvring of steel sheets on machine.
- Lifting and transporting pieces of steel sheet after cutting.

Norm:

- EN12100-1/2, EN13155



Type	WLL (kg)	Pulling force (kg)	Plate thickness (mm)	L x B (mm)	Weight (kg)	ProductId
PK-60	60	35	= 1-2	160 x 150	1.4	3604000
MK-120	120	70	= 1-2	140 x 84	1.4	3604001
MK-170	170	100	= 1-4	140 x 116	1.7	3604003
MK-300	300	180	>2	160 x 180	3.5	3604005

MK-250KS and MK-500KS compact crane magnets



REMA MK-250KS and MK-500KS are suitable for both vertical and horizontal lifting and transporting steel plates, allowing the steel plate can be rotated, which is an advantage in vertical storage. Both types are suitable for lifting steel sheets from 4 mm thick. With 20 mm thick steel plates the maximum lifting force is achieved. A lifting magnet is sufficient for steel sheets with a size of 1 x 2 m. For steel plates of 1.5 x 3 m two lifting magnets with a crossbar are required.

Properties

- Tiltable lifting eye.
- Can be used where high safety requirements apply and / or the surface of the steel plate is not 100% smooth or clean.

IMPORTANT!

- The full lifting force is only achieved if the surface of the steel plate to be lifted (St 37k and 25 mm thick) is processed, smooth and clean.
- Never exceed the safe workload.
- Hand magnets have safety factor 2.
- Crane magnets have safety factor 3.
- It is forbidden to be under the load of a crane magnet.

Norm:

- EN12100-1/2, EN13155

Type	WLL (kg)	Pulling force (kg)	Plate thickness (mm)	L x B (mm)	Weight (kg)	ProductId
MK-250KS	250	100	>4	290 x 125	7.5	3604007
MK-500KS	300	125	>4	290 x 180	10.5	3604009

Mechanical vacuum lift	186
Electric-/pneumatic vacuum lifters	187
Electric vacuum lifter for glass	188



VHM mechanical vacuum lifters



REMA VHM mechanical vacuum lifters are ideal for use in places where there is no energy source.

Properties

- No energy source required.
- Easy and quick installation.
- Ergonomic control by one operator.
- Low maintenance.
- TÜV certified.

Norm:

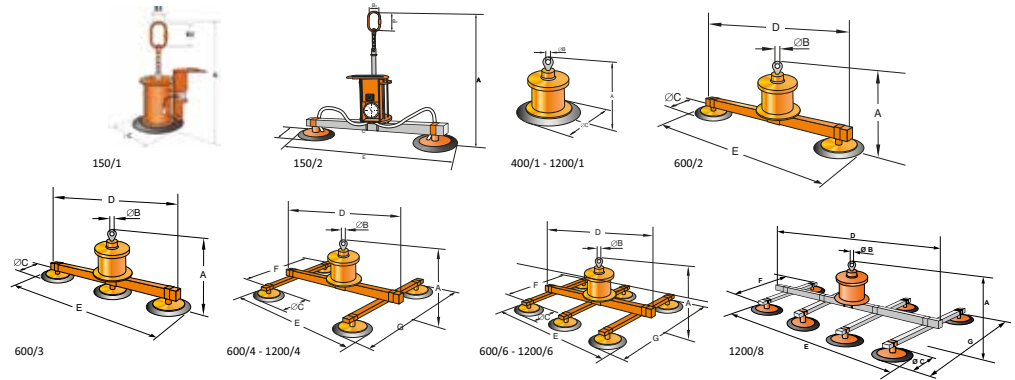
- EN12100-1/2, EN13155

Safety

- Vacuum protection against release.
- Acoustic signal in case of pressure loss with 2 x 9 V batteries (not rechargeable).
- Pressure gauge and vacuum control.
- Green and red LED for "safe operation".
- Minimum load 3 kg.

IMPORTANT:

Always check on the material specifications and dimensions (L x W x D) of the sheet or workpiece to be lifted.



Option

Safety bar to ensure there is always enough distance between man and machine.

Type	WLL (kg)	Number of pistons	Thickness (mm) plate 1000 x 2000 mm	Thickness (mm) plate 1250 x 2500 mm	Thickness (mm) plate 1500 x 3000 mm	Weight (kg)	ProductId
VHM-100/1	100	1	>5	-	-	17	3665000
VHM-150/2	150	2	>3	>5	-	26	3665002
VHM-400/1	400	1	>5	-	-	46	3665001
VHM-600/2	600	2	>1	>1.5	>4	83	3665003
VHM-600/3	600	3	>1	>1	>3	96	3665005
VHM-600/4	600	4	>1	>1	>2	110	3665007
VHM-600/6	600	6	>1	>1	>1	136	3665008
VHM-1200/1	1200	1	>5	-	-	130	3665010
VHM-1200/4	1200	4	>1	>1	>2	188	3665009
VHM-1200/6	1200	6	>1	>1	>2	228	3665011
VHM-1200/8	1200	8	>1	>1	>2	266	3665013

Type	A min (mm)	A max (mm)	B (mm)	C (mm)	D (mm)	E min (mm)	E max (mm)	F (mm)	G min (mm)	G max (mm)
VHM-100/1	495	580	60x110	230	-	-	-	-	-	-
VHM-150/2	610	750	50	230	1910	470	1160	-	-	-
VHM-400/1	440	580	50	400	-	-	-	-	-	-
VHM-600/2	610	750	50	400	1910	860	2210	-	-	-
VHM-600/3	620	810	50	400	1910	1250	2210	-	-	-
VHM-600/4	690	880	50	340	1910	740	2140	1480	630	1740
VHM-600/6	690	880	50	280	1910	900	2080	1480	570	1680
VHM-1200/1	544	754	60	770	-	-	-	-	-	-
VHM-1200/4	800	1010	60	410	1910	950	2210	1200	850	1500
VHM-1200/6	800	1010	60	410	1910	1250	2210	1200	850	1500
VHM-1200/8	800	1010	60	410	1910	1250	2210	1200	850	1500

Electric-/pneumatic vacuum lifters



For horizontal transport of non-porous, stable and flat sheets of metal, plastic and other materials.

Properties

- Elephant GLA types are driven by an electric vacuum pump.
- Elephant VLA types are driven by air

Safety:

- Vacuum protection against release.
- Acoustic signal at negative pressure.
- Safety bar for sufficient distance.
- Pressure gauge, vacuum control.
- Acoustic signal included.
- Rechargeable batteries and charger.
- Minimum air pressure for type VLA must be 6-7 Bar.

Benefits:

- Ergonomic action by 1 person.
- Low maintenance.

Option

- GLA types are also feasible with battery vacuum pump.
- Battery, including charger.
- Manual mechanical rotation and tilting.
- Vacuum lifters for wood and stone on request.
- Higher capacities on request.



IMPORTANT!

- Always check the material specifications and dimensions (L x W x D) of the sheet or workpiece to be lifted.
- Larger tonnages and / or other specifications on request.

Norm:

- EN12100-1/2, EN13155

Type	WLL (kg)	Number of pistons	Piston dimensions (mm)	L x B (mm)	Construction height (mm)	Weight (kg)	ProductId
GLA4F-0.25	250	4	250	1750 x 1150	620	55	3660001
GLA4F-0.5	500	4	300	1750 x 1150	620	55	3660003
GLA6F-0.5	500	6	250	2200 x 1200	620	90	3660005
GLA6F-1.0	1000	6	300	2200 x 1200	620	90	3660007
GLA8F-1.0	1000	8	250	2750 x 1150	620	150	3660009
GLA8F-1.5	1500	8	300	2750 x 1150	620	150	3660011
GLA10F-2.0	2000	10	300	2750 x 1150	620	200	3660012
VLA4F-0.25	250	4	250	1750 x 1150	620	55	3660013
VLA4F-0.5	500	4	300	1750 x 1150	620	55	3660015
VLA6F-0.5	500	6	250	2200 x 1200	620	90	3660017
VLA6F-1.0	1000	6	300	2200 x 1200	620	90	3660019
VLA8F-1.0	1000	8	250	2750 x 1150	620	150	3660021
VLA8F-1.5	1500	8	300	2750 x 1150	620	150	3660023

GP electric vacuum lifters for glass 400 V 50 Hz



GP electric vacuum lifters are specifically designed for horizontal transferring of glass plates. GP..RB are also for manual rotation or swivel.

Properties

- Elephant GP types driven by an electric vacuum pump

Safety

- Vacuum reserve buffer prevents dropping.
- Acoustic signal in case of loss of pressure.
- Safety handle for an adequate clearance.
- Manometer, vacuum control.
- Acoustic signal includes rechargeable batteries and battery charger.

Advantages

- Ergonomic handling by one person.
- Almost maintenance-free.

Option

- GP types are also available with electric rotation and tilting.
- GP types are also available in 230 VAC and 24 VDC versions.
-

Norm:

- EN12100-1/2, EN13155

Type	WLL (kg)	Number of pistons	Piston dimensions (mm)	L x B (mm)	Construction height (mm)	Weight (kg)	ProductId
GP-2RB	200	2	300	300 x 750	510	55	3661001
GP-4RB	400	4	300	658 x 867	510	55	3661003
GP-6RB	600	6	300	756 x 1100	750	70	3661005
GP-8RB	800	8	300	756 x 1340	750	83	3661007



RPHA pallet hooks with automatic balancing

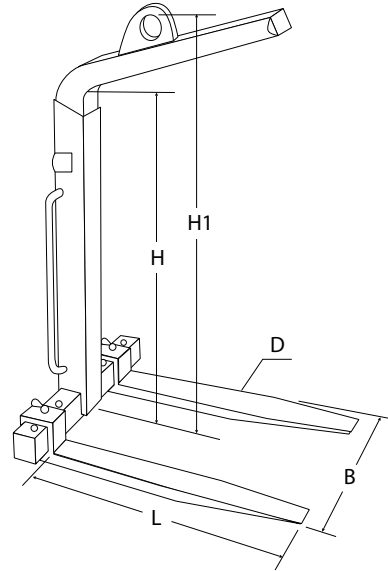


Properties

- Adjustable loading forks.
- Height adjustment.
- Minimum load 25% of total safe capacity.

Norm:

- EN12100-1/2, EN13155



Type	WLL (kg)	B (mm)	D (mm)	H (mm)	H1 (mm)	Dimensions fork (L x D) (mm)	Diameter lifting eye (mm)	Weight (kg)	ProductId
RPHA-1	1000	350 - 900	100 x 30	1300-2000	1655-2355	1000 x 100 z 30	100 x 80	140	3259010
RPHA-2	2000	400 - 900	120 x 40	1300-2000	1655-2355	1000 x 100 x 40	100 x 80	220	3259020
RPHA-3L	3000	450 - 900	120 x 50	1300-2000	1720-2420	1000 x 120 x 50	120 x 100	280	3259031
RPHA-5	5000	530 - 1000	150 x 60	1300-2000	1850-2650	1000 x 150 x 60	136 x 120	380	3259050

RPHM pallet hooks with manual balancing

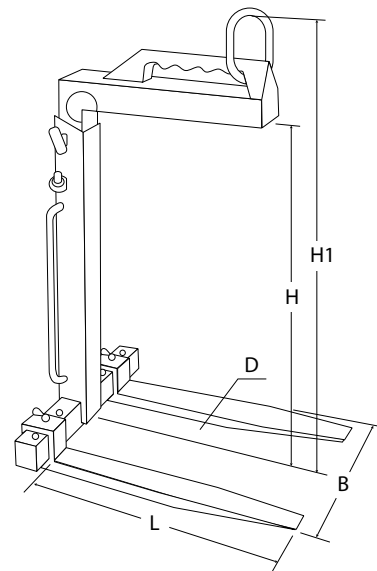


Properties

- Adjustable loading forks.
- Height adjustment.

Norm:

- EN12100-1/2, EN13155



Type	WLL (kg)	B (mm)	D (mm)	H (mm)	H1 (mm)	Dimensions fork (L x D) (mm)	Diameter lifting eye (mm)	Weight (kg)	ProductId
RPHM-1	1000	350-900	100 x 30	1300-2000	1700-2400	1000 x 100 x 30	100 x 80	130	3258010
RPHM-2	2000	400-900	120 x 40	1300-2000	1700-2400	1000 x 120 x 40	100 x 80	200	3258020
RPHM-3	3000	450-900	120 x 50	1300-2000	1700-2400	1000 x 120 x 50	120 x 100	250	3258030
RPHM-5	5000	530-1000	150 x 60	1300-2000	1700-2450	1000 x 150 x 60	136 x 120	370	3258050

Hand winches	192
Gear- and worm gear winches	196
Electric worm gear winches	200
230/400VAC lifting-/pulling winch	202



REMA WW-0,25 OR2/D
 2010
 801120184/1000
 11 - Layer Sealing
 min. 15,9 kg
 CE

DL winches (NOT FOR LIFTING)



DL zinc winch only for pulling.

Properties

- Demountable crank (DL-2500 en DL-3500).
- Zinc-plated housing with zinc-plated drum (Model DL-3500 is fitted with a black drum).
- Hardened steel gears.
- The DL-900A, DL-1000A and DL-1402A versions have a pawl that works in one direction with free-wheel mode.
- The DL-2500AB and DL-3500B versions have a double speed and are also equipped with a manually operated brake.

Standard delivery

- Without steel wire rope.

Option

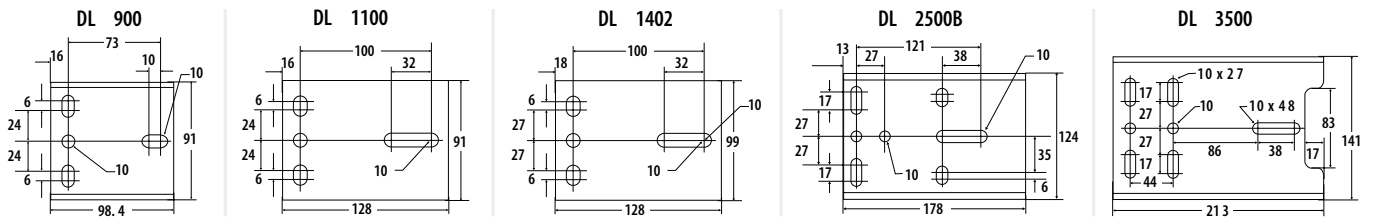
- Steel wire rope with safety hook.

IMPORTANT:

- Not suitable for lifting.

Norm:

- EN12100-1/2, EN13157



Type	WLL (kg)	Maximum reel capacity (m)	Cable diameter (mm)	Lifting height per stroke (m)	Drum diameter (mm)	Drum width (mm)	Gear ratio	Crank length (mm)	Crank force (kg)	Base size (mm)	Weight (kg)	ProductId
DL-900A	408	10.9	5	19	16	50	3.2:1	178	7	99 x 91	2	2117001
DL-1100A	499	22.2	5	18	22	53	3.7:1	178	9	128 x 91	3	2117003
DL-1402A	635	14.2	6	16	22	50	4.4:1	241	8	128 x 99	4	2117005
DL-2500AB	1134	23.0	8	16	28	60	17.3:1 - 5.4:1	241	5	178 x 124	7	2117007
DL-3500B	1589	12.3	10	16	33	70	12:1 - 6:1	241	13	213 x 141	10	2117009



1



2



3

DLB brake winch



DLB zinc winch with automatic brake.

Properties

- Zinc-plated housing (DL2500G has a black drum).
- Fitted with automatic load pressure brakes.
- For extra safety, they are fitted with locking pawls.

Standard delivery

- Without steel wire rope

Options

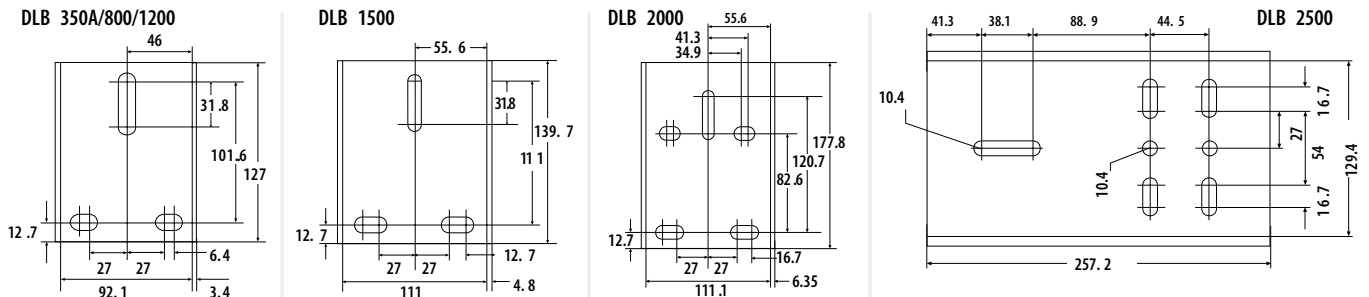
- Steel wire rope according DIN 3060 with safety hook.
- Sling belt according DIN 3060 with safety hook.

Important

- For lifting, select another wire rope diameter, taking tensile strength into consideration.
- Minimum load required for winch to operate properly.

Norm:

- EN12100-1/2, EN13157



Type	WLL (kg)	Minimum load (kg)	Maximum reel capacity (m)	Cable diameter (mm)	Lifting height per stroke (mm)	Drum diameter (mm)	Drum width (mm)	Gear ratio	Crank length (mm)	Crank force (kg)	Base size (cm)	Weight (kg)	ProductId
DLB-350A	159	23	25	3	22.5	26	52	3.2:1	178	10	13 x 10	3	2117010
DLB-800AG	360	23	23	4	36	48	53	4.4:1	178	12	13 x 10	3	2117011
DLB-1200AG	545	23	19.7	5	39	64	51	5.4:1	238	19	13 x 10	4	2117013
DLB-1500AG	680	34	15.1	6	40	64	62	5.4:1	305	18	14 x 12	5	2117015
DLB-2000AG	905	89	8.9	7	30	64	54	17.3:1	238	8	18 x 12	7	2117016
DLB-2500G	1135	136	7.4	8	23	79	66	12.0:1	244	13	26 x 14	12	2117017

Winch cable set according to DIN 3060.



Winch cable set according to DIN 3060 with thimble and hook with safety latch.

Option

- Longer cable on request.

Type	WLL (kg)	Length (m)	Tensile strength (N/mm ²)	Cable diameter (mm)	Weight (kg)	ProductId
4MM-20M-DIN3060	210	20	1770	4	1.55	2221004
5MM-15M-DIN3060	320	15	1770	5	1.75	2221005
6MM-15M-DIN3060	470	15	1770	6	2.50	2221006
7MM-10M-DIN3060	640	10	1770	7	2.30	2221007
8MM-8M-DIN3060	840	8	1770	8	2.45	2221008
10MM-10M-DIN3060	1060	10	1770	10	3.5	2221010

Winch sling belt set



Sling belt set according to EN 1492-1 loop and with hook with safety hook.

IMPORTANT:

- Not suitable for lifting.

Type	For winch typ	Weight (kg)	ProductId
50mm x 4.5m	DL1100/DLB800/DL1402	0.60	2222001
50mm x 7.5m	DL1100/DL1402	0.75	2222003

TWZ and TWR manual winches



The compact REMA TWZ and TWR winches are self locking; they are manufactured from pressed steel plate to ensure durable strength. These winches are utilized in many areas such as: food industry, maritime sector, poultry breeding, trailer manufacturing etc.

TWZ: Galvanized.
TWR: Stainless steel. (AISI 304)

Properties

- Automatic load pressure brake that can hold loads at any desired height.
- Double locking pawl system for extra safety (82 and 12 kg).
- Drive and brake in an enclosed housing.
- Demountable crank.
- Simple wire rope equipment.

Standard delivery

- Without steel wire rope

Norm:

- EN12100-1/2, EN13157

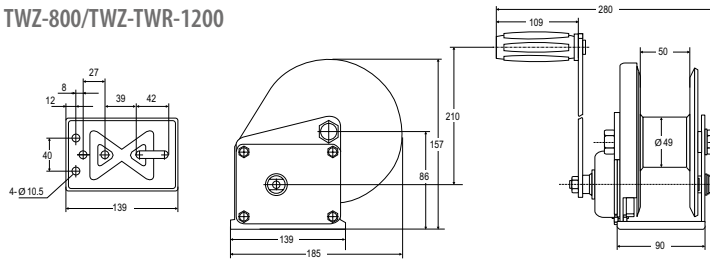
IMPORTANT:

For lifting, select another wire rope diameter, taking tensile strength into consideration.

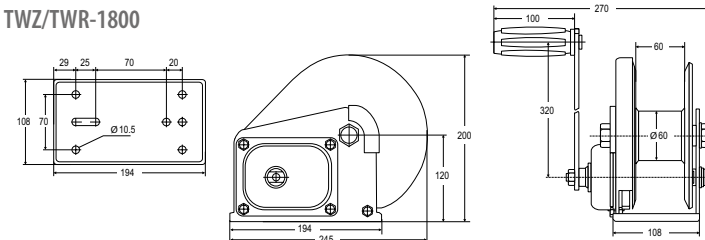
Option

- Steel wire rope with hook and safety latch.

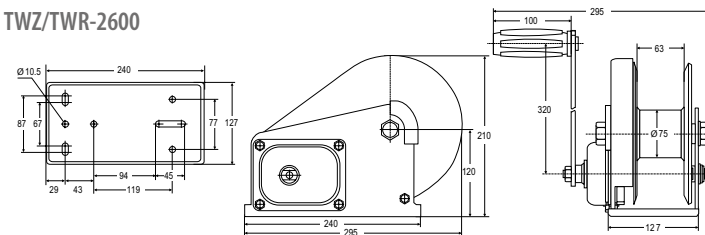
TWZ-800/TWZ-TWR-1200



TWZ/TWR-1800



TWZ/TWR-2600



Type	WLL pulling (kg)	WLL lifting (kg)	Minimum load (kg)	Maximum reel capacity (m)	Cable diameter (mm)	Lifting height per stroke (mm)	Drum diameter (mm)	Drum width (mm)	Gear ratio	Crank length (mm)	Crank force (kg)	Weight (kg)	ProductId
TWZ-800	360	180	10	36	4	34	48	50	4.1 : 1	210	14.5	3	2111001
TWZ-1200	550	275	10	23	5	42	48	50	4.1 : 1	210	15	3,3	2111003
TWZ-1800	820	410	15	20	7	49	60	60	5.0 : 1	320	22	8	2111005
TWZ-2600	1180	590	20	18	8	28	75	63	10.0 : 1	320	19	10,3	2111007
TWR-1200	440	220	10	23	5	42	48	50	4.1 : 1	210	15	3,3	2112003
TWR-1800	660	330	15	20	6	49	60	60	5.0 : 1	320	22	8	2112005
TWR-2600	960	480	20	18	8	28	75	63	10.0 : 1	320	19	10,3	2112007

TL Gear winch



Properties

- Complies with EN13157.
- Load pressure brake.
- Adjustable crank length; backwind-free.
- The drums and the shaft supported by needle bearings.
- Paint finish and enamel varnish are standard.
- Capacity min. 2%

Standard delivery:

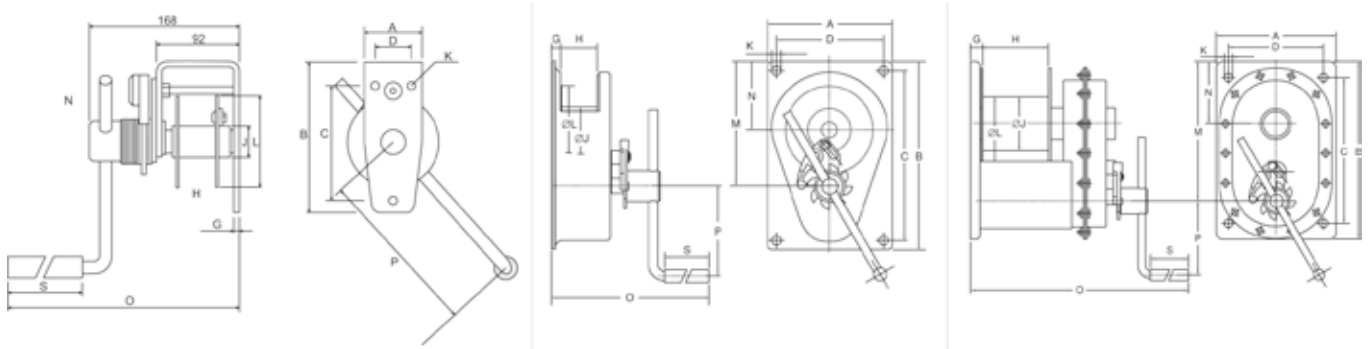
- Without steel wire rope.

Option:

- Wire rope on request with hook and safety latch.

Norm:

- EN12100-1/2, EN13157



Type	WLL 1st layer (kg)	WLL last layer (kg)	Cable max. (m)	Cable diameter (mm)	Lifting height per stroke (mm)	Crank force (kg)	Weight (kg)	ProductId
TL-0.150	150	68	13	4	122	11	4	2015008
TL-0.3	300	120	25	5	21	7	10	2015009
TL-0.6	600	323	12	6	28	10	11	2015012
TL-1.0	1000	684	28	10	21	15	28	2015013
TL-1.5	1500	844	21	14	14	12	27,5	2015014

Type	A (mm)	B (mm)	C (mm)	D (mm)	G (mm)	H (mm)	J (mm)	K (mm)	L (mm)	M (mm)	N (mm)	O (mm)	P (mm)	S (mm)
TL-0.150	65	168	128	40	6	40,5	35	9 (3x)	102	-	89	303	280	128,5
TL-0.3	200	300	268	168	20	55	70	12 (4x)	145	198	108	318	280	128,5
TL-0.6	200	300	268	168	20	55	60	12 (4x)	145	203	110	318	325	128,5
TL-1.0	250	250	212	170	6,7	113	102	16,5 (4x)	212	266	118	483,5	350	132,2
TL-1.5	250	250	212	170	22,5	113	102	17 (4x)	212	266	118	483,5	350	128,5

RGL gear winches



Properties

- Construction according to DIN 152.
- Braked design with double pawl system.
- Crank gradually adjustable in length.
- Drum and shafts provided with bearings.
- Freewheel, through protected pawl system.
- Powdercoating RAL 24.

Standard delivery

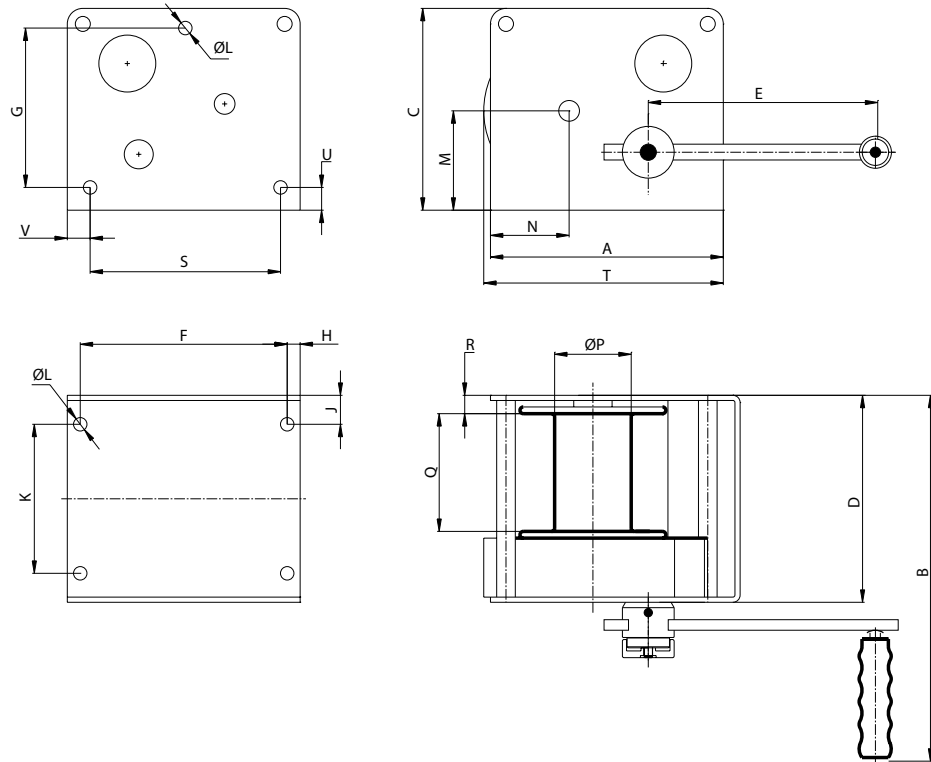
- Without steel wire rope.

Option

- Steel wire rope on request with hook and safety latch.

Norm:

- EN12100-1/2, EN13157



Type	WLL 1st layer (kg)	WLL last layer (kg)	Crank length (mm)	Cable max. (m)	Cable diameter (mm)	Gear ratio	Weight (kg)	ProductId
RGL-150	150	45	250/100	22	4	2.84 :1	9.2	2017001
RGL-300	300	100	250/100	30	5	6.67:1	16.5	2017003
RGL-500	500	300	250/100	30	6	7.75 :1	18.5	2017005

Type	A (mm)	B (mm)	C (mm)	D (mm)	F (mm)	G (mm)	H (mm)	J (mm)	K (mm)	L (mm)	M (mm)	N (mm)	P (mm)	Q (mm)	R (mm)	S (mm)	T (mm)	U (mm)	V (mm)
RGL-150	180	324	150	150	154	102	13	18	114	7x9	70	66.4	55	77.3	18	132	177	18	24
RGL-300	225	390	195	200	200	154	12.5	28	144	13	96	76	62	107	25	184	235	22.5	20
RGL-500	242	380	200	200	200	154	21	28	144	7x13	102.7	83	74	107	24.5	184	251	22	29

WW worm gear winches



Properties

- Load pressure brake.
- Adjustable crank length; backwind-free.
- Drums and axes run on needle bearings.
- Models above load capacity of 2 kg have two speeds, which is operated by changing the crank over.
- Paint finish and enamel varnish are standard.

Standard delivery

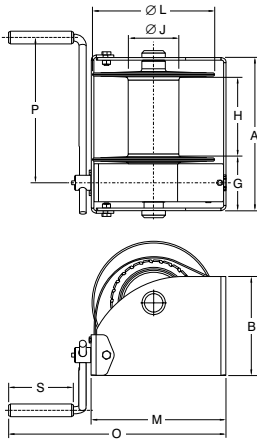
- Without steel wire rope

Option

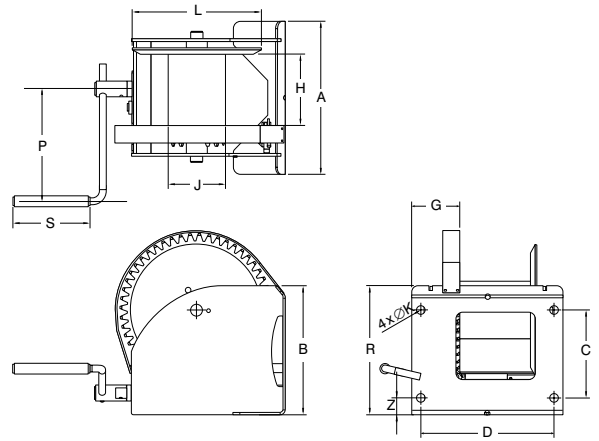
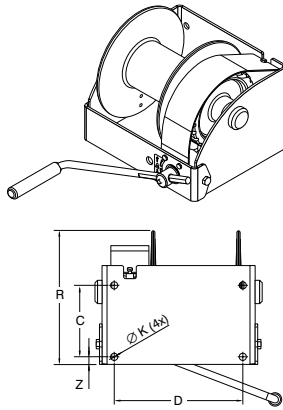
- Steel wire rope on request.

Norm:

- EN12100-1/2, EN13157



WW-250 - WW-1500



WW-2000 - WW-5000

Type	WLL 1st layer (kg)	WLL last layer (kg)	Cable max. (m)	Cable diameter (mm)	Lifting height per stroke (mm)	Crank force (kg)	Weight (kg)	ProductId
WW-250	250	95	104	4	17	3.5	13	2016001
WW-500	500	239	78	6	20	9.0	16	2016003
WW-1000	1000	542	63	8	13	15.5	26	2016005
WW-1500	1500	845	41	10	9	19.0	28	2016007
WW-2000	2000	1129	46	12	12/6	22/13	60	2016009
WW-3000	3000	1861	52	14	11/6	27/14	78	2016011
WW-4000	4000	2390	52	16	11/4	35/13	80	2016012
WW-5000	5000	3165	40	18	12/4	58/17	115	2016013

Type	A (mm)	B (mm)	C (mm)	D (mm)	G (mm)	H (mm)	J (mm)	K (mm)	L (mm)	M (mm)	N (mm)	O (mm)	P (mm)	R (mm)	S (mm)
WW-250	238	145	100	192	106	102	48	14	160	191	15	410	280	171	130
WW-500	269	160	115	223	107	131	70	14	190	221	15	440	325	192	130
WW-1000	302	195	141	254	110	160	102	14	240	266	15	490	350	264	130
WW-1500	302	250	178	254	111	160	102	14	240	278	15	490	350	306	130
WW-2000	410	310	196	360	137	176	133	25	312	382	45	724	380	421	220
WW-3000	436	365	251	386	137	176	165	25	376	442	47	784	380	523	220
WW-4000	436	365	251	386	137	174	165	25	376	442	47	784	380	523	220
WW-5000	436	425	316	386	137	200	219	25	437	494	38	836	380	599	220

RWL worm gear winch with freewheel system



Properties

- Braked design.
- Crank gradually adjustable in length.
- Drum and shafts provided with bearings.
- Freewheel, through protected pawl system.
- Powdercoating RAL2004.

Standard delivery

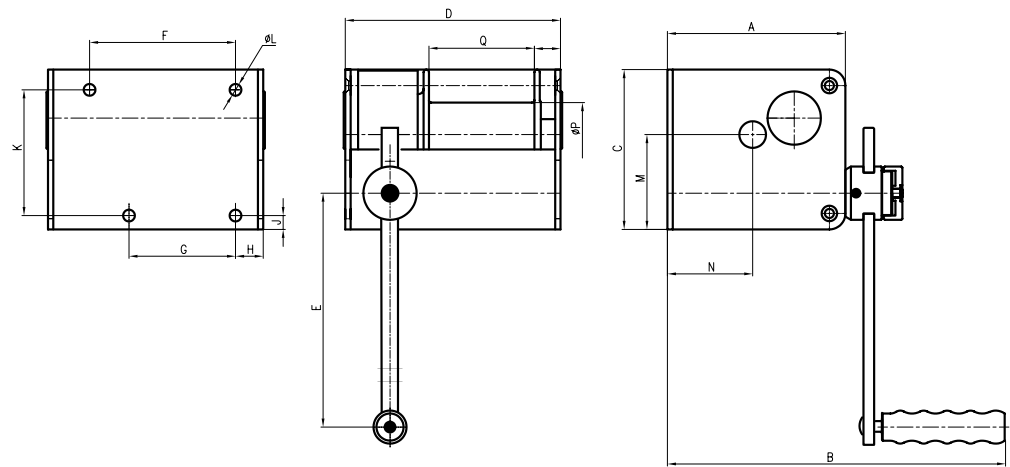
- Without steel wire rope

Option

- Steel wire rope on request and hook with safety latch.

Norm:

- EN12100-1/2, EN13157



Type	WLL 1st layer (kg)	WLL last layer (kg)	Crank length (mm)	Cable max. (m)	Cable diameter (mm)	Gear ratio	Weight (kg)	ProductId
RWL-250	250	75	250/100	20	5	15:1	11	2018001
RWL-500	500	300	250/100	30	6	24:1	17	2018003
RWL-1000	1000	550	350/100	35	10	26:1	36	2018005

Type	A (mm)	B (mm)	C (mm)	D (mm)	F (mm)	G (mm)	H (mm)	J (mm)	K (mm)	L (mm)	M (mm)	N (mm)	Q (mm)	R (mm)
RWL-250	167	332	150	202	137	100	26	13	118	11	89	80	99	24.5
RWL-500	195	367	190	260	182	132	33	18	142	13	111.5	94	146	32
RWL-1000	295	490	300	300	167	167	32	21	250	17	180.5	136	158	33

EHL electric hoisting winches



Electric hoisting winches are constructed to meet the requirements for machines listed in class of use K3 in EN14492 that is an applicable standard for European norms. In some European countries, application of overload limiters and/or limit switches is compulsory. Maritime design available on special order

Properties

- Lifting force range: 200 kg to 1700 kg.
- Drums run on bearings at both sides (from model EHL 58).
- Steel base plate (from model EHL 580).
- Grooved drums (from model EHL 580).
- Larger drum diameters.
- Maximum number of wire rope levels on drums: 3.

Brake motor properties

- Operating voltage 400V - 3 phase - 50 Hz.
- Class of protection F.
- Electric protection class motor IP56.
- Electric protection class brake IP55.

IMPORTANT:

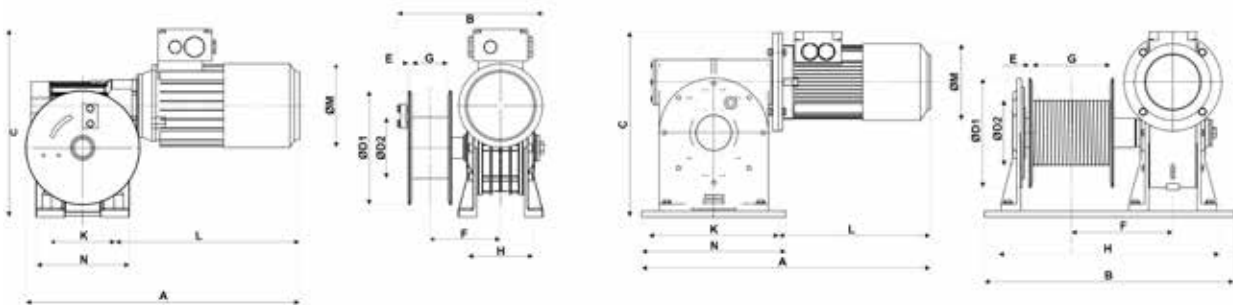
Above 1000 kg, overload limiter is required.

Standard delivery

- RAL2004 Orange painting.
- Does not include steel wire rope.
- Excluded control pendant.

Norm:

- EN12100-1/2, EN14492



Type	WLL 3rd layer (kg)	Cable diameter (mm)	Speed 1st layer (m/min)	Drum capacity 1st layer (m)	Drum capacity 3rd layer (m)	Power output (kW)	Weight (kg)	ProductId
EHL-200	200	5	5.8	3.5	12	0.55	24	2300027
EHL-450	450	6	7.0	3.5	12	1.1	40	2300029
EHL-580	580	7	5.7	8	25	1.1	95	2300031
EHL-800	800	8	6.5	8	25	1.5	98	2300033
EHL-1050	1050	10	7.9	10	35	3.0	150	2300035
EHL-1325	1325	11	9.3	13.5	45	4.0	209	2300037
EHL-1700	1700	12	9.7	15.5	50	5.5	315	2300039

Type	A (mm)	B (mm)	C (mm)	D1 (mm)	D2 (mm)	E (mm)	F (mm)	G (mm)	H (mm)	K (mm)	L (mm)	M (mm)	N (mm)
EHL-200	457	284.6	306.6	190	101.6	6	117	60	114	120	302	139	158
EHL-450	516	297.0	348.0	187	121.0	6	123	60	138	140	335	156	193
EHL-580	653	540.0	436.0	250	121.0	6	213	150	500	275	262	157	325
EHL-800	653	540.0	436.0	250	139.0	6	215	150	500	275	282	158	325
EHL-1050	738	640.0	474.0	280	168.0	8	262	200	600	320	307	190	370
EHL-1325	852	710.0	537.0	320	195.0	8	300	250	670	360	307	190	410
EHL-1700	976	850.0	629.0	370	205.0	8	333	300	800	380	324	216	440

EWL electric worm gear winches (NOT FOR LIFTING)



Price/quality ratio of series EWL electric self locking worm gear winches is excellent; they are available in designs complying with various classifications and norms.

Properties

- Pulling force: 250 kg to 2800 kg.
- Drums run on bearings at both sides (from model EWL 1000).
- Steel base plate (from model EWL 1000).

Standard delivery

- Does not include steel wire rope.
- Does not include control pendant.
- Above 1000 kg overload limiter is required.

Option

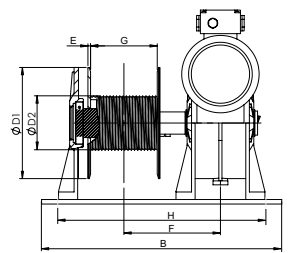
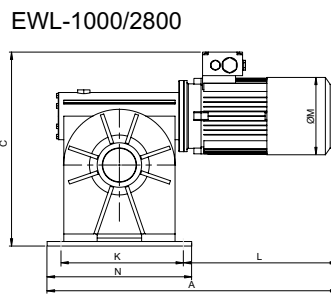
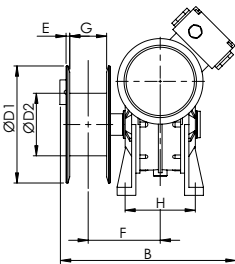
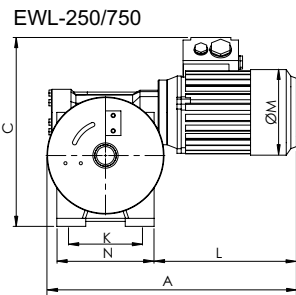
- Steel wire rope.
- Control pendant included switch box.
- Overload limiter (above 1000 kg required).
- Maritime design on special order.

IMPORTANT

Not suitable for lifting.

Norm:

- EN12100-1/2, EN14492



Type	Pulling force 1st layer (kg)	Pulling force 3rd layer (kg)	Cable diameter (mm)	Speed 1st layer (m/min)	Drum capacity 1st layer (m)	Drum capacity 5th layer (m)	Power output (kW) S2	Weight (kg)	ProductId
EWL-250	250	200	6	8.4	3.3	20	0.55	21	2300001
EWL-500	500	400	6	8.4	3.3	20	1.1	36	2300003
EWL-750	750	600	6	5.8	3.3	20	1.1	36	2300005
EWL-1000	1000	770	8	6	6.1	40	1.5	90	2300007
EWL-1250	1250	965	8	6	6.1	40	2.2	93	2300009
EWL-1750	1750	1340	10	5.8	8.2	53	3.0	136	2300011
EWL-2250	2250	1725	12	7	10	65	4.0	192	2300013
EWL-2800	2800	2115	14	7.8	11.6	75	5.5	302	2300015

Type	A (mm)	B (mm)	C (mm)	D1 (mm)	D2 (mm)	E (mm)	F (mm)	G (mm)	H (mm)	K (mm)	L (mm)	M (mm)	N (mm)
EWL-250	405	284.6	306.6	190	101.6	6	117	60	114	120	250	139	158
EWL-500	460	299.0	348.0	190	106.6	6	125	60	138	140	279	156	193
EWL-750	460	299.0	348.0	190	106.6	6	125	60	138	140	279	156	193
EWL-1000	589	540.0	436.0	250	101.6	6	215	150	500	275	264	130	325
EWL-1250	589	540.0	436.0	250	101.6	6	215	150	500	275	282	158	325
EWL-1750	660	640.0	474.0	280	121.0	8	262	200	600	320	307	190	370
EWL-2250	706	710.0	524.0	320	146.0	8	300	250	670	360	307	190	410
EWL-2800	825	850.0	607.0	370	159.0	8	333	300	800	380	324	216	440

CP 230VAC lifting-/pulling winch



REMA CP lifting / pulling winch 230 VAC

Properties:

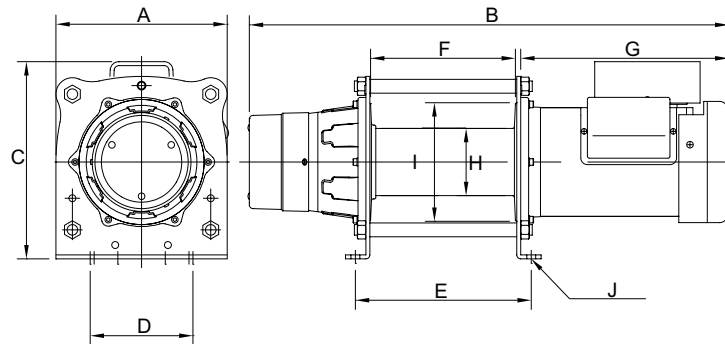
- Control cable + pushbutton cabinet with emergency stop IP65 included.
- Electronic magnet brake.
- Design with bearing.
- Steel cable + hook included.
- Planetary transmission.

Technical specifications:

- **CP-300** Motor IP44, 4 poles - 1.15 kW.
- **CP-500** Motor IP44, 4 poles - 1.8 kW.
- 230 VAC, 1 Phase, 50 Hz.

Norm:

- EN12100-1/2, EN14492



Type	WLL (kg)	Maximum pulling force on the drum (kg)	Speed 1st layer (m/min)	Cable length (m)	Cable diameter (mm)	Dimension L x B x H (mm)	Drum width (mm)	Drum diameter (mm)	Weight (kg)	ProductId
CP-300	300	600	10	30	6	565 x 210 x 241	110	94	38	2382007
CP-500	500	1000	10	60	7	694 x 260 x 299	220	102	55	2382009

Type	A (mm)	B (mm)	C (mm)	D (mm)	E (mm)	F (mm)	G (mm)	H (mm)	I (mm)	J (mm)
CP-300	210	565	241	142	142	110	280	94	154	6 x 10,5
CP-500	260	728	299	156	267	220	316	102	180	6 x 13,5

CP 400VAC lifting-/pulling winch



REMA CP lifting / pulling winch 400 VAC, 3 phase, 50Hz.

Norm:

- EN12100-1/2, EN14492

Type	WLL (kg)	Maximum pulling force on the drum (kg)	Speed 1st layer (m/min)	Cable length (m)	Cable diameter (mm)	Dimension L x B x H (mm)	Drum width (mm)	Drum diameter (mm)	Weight (kg)	ProductId
CP-T500	500	1000	10	60	7	694 x 260 x 299	220	102	55	2382109

Type	A (mm)	B (mm)	C (mm)	D (mm)	E (mm)	F (mm)	G (mm)	H (mm)	I (mm)	J (mm)
CP-T500	260	728	299	156	267	220	316	102	180	6 x 13,5

Load sheaves	204
Snatch blocks	205



REMA
Pulley Block
Model: SKW 2000
Capacity: 2000 kg
Serial No.: 21435
Mfg. Year: 2008
CE

RZ sheaves, unsupported

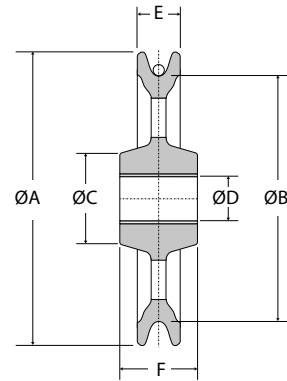


Properties

- Suitable for hand and mechanical applications.
- Maintenance-free design.
- Steel.
- Self-lubricating bearings

Norm:

- EN12100-1/2, EN 13157



Type	WLL by hand (kg)	WLL mech. (kg)	Cable diameter (mm)	A (mm)	B (mm)	C (mm)	D (mm)	E (mm)	F (mm)	ProductId
RZ-0.5	500	250	5 - 6	150	125	46	22	22	40	3063001
RZ-1.0	1000	500	8 - 10	235	200	78	40	32	50	3063003
RZ-2.0	2000	1000	12 - 14	325	280	108	60	41	70	3063005
RZ-3.0	3000	1500	16 - 18	400	340	110	70	51	87	3063007

RBZ sheaves, supported

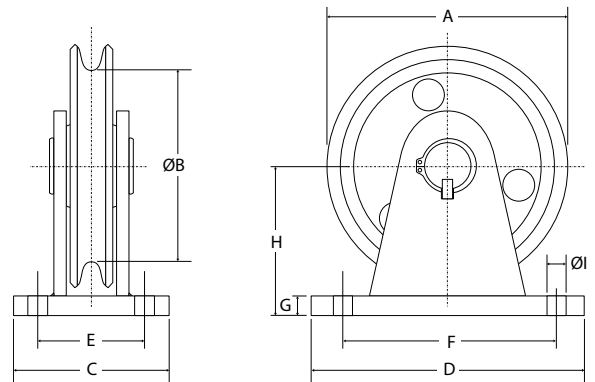


Properties

- Suitable both for manual and mechanical drive.
- Maintenance-free design.
- Sheave dimensions according to RZ-0,5 to RZ-3,0.
- Steel stand.
- A cable guide is provided on the support.
- Self-lubricating bearings.

Norm:

- EN12100-1/2, EN 13157



Type	WLL (kg)	Cable diameter (mm)	A (mm)	B (mm)	C (mm)	D (mm)	E (mm)	F (mm)	G (mm)	H (mm)	I (mm)	Weight (kg)	ProductId
RBZ-0.5	500	5 - 6	150	125	82	115	55	88	15	92	11.5	3.25	3064001
RBZ-1.0	1000	8 - 10	235	200	108	187	70	150	20	138	18	10.6	3064003
RBZ-2.0	2000	12 - 14	325	280	143	260	95	212	25	190	23	31.0	3064005
RBZ-3.0	3000	16 - 18	400	340	188	330	130	242	30	236	28	52.0	3064007

SKW steel wire rope - snatch block with swivel hook

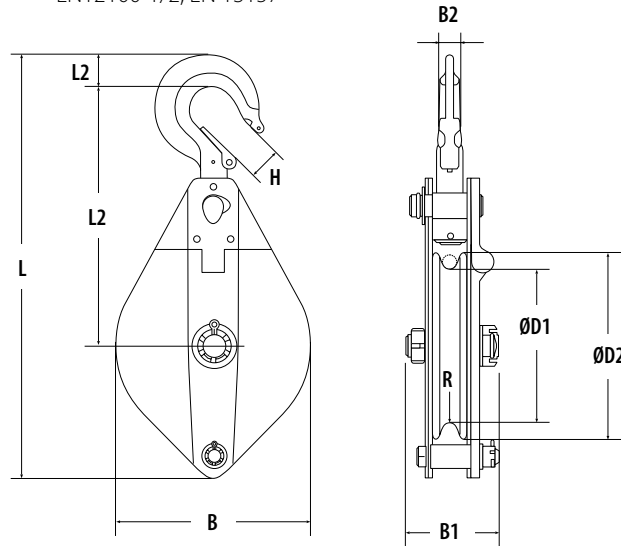


Properties

- Equipped with swivel hook.
- Steel housing.
- Side opening link permits quick, easy insertion of rope or cable without threading.
- Sheave is made of high-quality steel with a groove.

Norm:

- EN12100-1/2, EN 13157



Type	WLL (kg)	Cable diameter (mm)	B (mm)	B1 (mm)	B2 (mm)	D1 (mm)	D2 (mm)	H (mm)	L (mm)	L1 (mm)	L2 (mm)	R (mm)	Weight (kg)	ProductId
SKW-10	1000	7	118	76	17	85	105	23	305	200	23	4	3.3	3060001
SKW-20	2000	13	199	92	24	150	190	27	425	263	30	7	8,9	3060003
SKW-32	3200	15	230	108	28	180	220	21	496	295	40	9	15.5	3060005
SKW-64	6400	18	270	116	35	210	260	42	655	375	47	10	26.5	3060007

KBH1 steel wire rope snatch block with 1 sheave

Properties:

- Side opening.
- Hook suspension.
- **KBH1** = 1 Steel wire rope sheave.
- **KBH2** = 2 steel wire rope sheave.

Norm:

- EN12100-1/2, EN 13157



KBH1 with 1 wire rope sheave

KBH2 with 2 wire rope sheave

Type	WLL (kg)	Cable diameter (mm)	Thickness (mm)	Width (mm)	Height (mm)	H (mm)	I (mm)	Diameter sheave (mm)	Weight (kg)	ProductId
KBH1-05	500	8	50	87	268	17	-	75	1.5	3061001
KBH1-10	1000	10	56	112	312	17	-	100	2.6	3061003
KBH1-15	1500	13	64	140	370	22	-	125	4.8	3061005
KBH1-20	2000	16	101	168	443	31	-	150	7.4	3061007
KBH2-05	500	8	77	87	268	17	21	75	2.8	3062001
KBH2-10	1000	10	88	112	312	17	21	100	4.3	3062003
KBH2-15	1500	13	100	140	370	22	28	125	7.8	3062005
KBH2-20	2000	16	146	168	443	31	28	150	12.2	3062007



REMA steel jacks	208
Rema-All	208
VHS Steel jack	209
Sluice-winding jacks	210

REMA
HOLLAND

DMK steel lifting jacks



Properties

- Low forces thanks to the optimum transmission ratios.
- Robust construction with large-size, stable foot plate.
- Safety crank with foldable handle.
- Type **DMK** standard model.
- Type **DMKR** with ratchet crank.

Norm:

- EN12100-1/2, EN13157, DIN-EN7355

Type	WLL (kg)	Construction height (mm)	Lifting height (mm)	Height of claw in lowest position (mm)	Weight (kg)	ProductId
DMK-1.5	1500	725	350	70	12	1950015
DMK-3.0	3000	725	350	75	20	1950030
DMK-5.0	5000	725	300	75	29	1950050
DMK-10.0	10000	800	300	85	42	1950100
DMKR-1.5	1500	725	350	70	15	1950016
DMKR-3	3000	725	350	75	23	1950031
DMKR-5	5000	725	300	70	27	1950051

Rema-All



ACCORDING ASME / ANSI SAFETY STANDARD.

Properties

- A patented overload limiter excludes misoperation, the "safety link" hinders continuing lifting while the jack takes hold of load.
- Long life due to cast parts and easy operation.
- Extra large foot plate for stability.
-

IMPORTANT:

- Lifting height 300 mm, load capacity 3000 kg.
- Lifting height 600 mm, load capacity 2250 kg.
- Lifting height 900 mm, load capacity 1600 kg.
- Lifting height 1000 mm, load capacity 1000 kg.

Norm:

- EN12100-1/2, DIN-EN7355
- ASME / ANSI SAFETY STANDARD

Type	WLL (kg)	Construction height (mm)	Maximum height (mm)	Weight (kg)	ProductId
REMA-ALL	3000	1215	1200	14	0310050

VHS and KBH Steel jacks



Properties

- Safety crank with foldable handle.
- Type **VHS** standard model
- Type **VHS-R** with Ratchet crank
- Type **KBH** short model
- Type **KBH-R** short model with ratchet crank.

Norm:

- EN12100-1/2, EN13157, DIN-EN7355

Type	WLL (kg)	Construction height (mm)	Hefhoogte (mm)	Klauwhoogte laagste stand (mm)	Weight (kg)	Productid
VHS-1.5	1500	725	350	70	12	1901031
VHS-3.0	3000	725	350	75	20	1901033
VHS-5.0	5000	725	300	70	25	1901035
VHS-10.0	10.000	800	300	90	40	1901040
VHS-R-1.5	1500	725	350	70	12	1901131
VHS-R-3.0	3000	725	350	75	20	1901133
VHS-R-5.0	5000	725	300	70	25	1901135
VHS-R-10.0	10.000	800	300	90	40	1901140
KBH-1.5	1500	570	300	70	11	1902031
KBH-3.0	3000	570	300	75	18	1902033
KBH-5.0	5000	600	300	70	22	1902035
KBH-10.0	10.000	650	300	80	38	1902040
KBH-R-1.5	1500	570	300	70	11	1902131
KBH-R-3.0	3000	570	300	75	18	1902133
KBH-R-5.0	5000	600	300	70	22	1902135
KBH-R-10.0	10.000	650	300	80	38	1902140

Options: Special steel jacks on request



Adjustable



Ratchet



Cable drum steel jack



Rail jack



Tree trunk steel jack



Rack and pinion jack

311 and 312 sluice-winding jacks



Properties

- Series 311 is supplied with rear plate.
- Series 312 is supplied with foot plate.
- Safety crank with foldable handle.

Option

- Other stroke and pinon-gear rack lengths can be manufactured based on your requirements.

Norm:

- EN12100-1/2, EN13157, DIN-EN7355

Type	WLL (kg)	Construction height (mm)	Lifting height (mm)	Hole size heart on heart (mm)	Weight (kg)	ProductId
311-1.5	1500	1150	800	130x160	14	2218001
311-3.0	3000	1260	800	165x220	24	2218003
311-5.0	5000	1280	800	180x250	32	2218005
312-1.5	1500	1150	800	130x 70	14	2219001
312-3.0	3000	1260	800	130X 80	24	2219003
312-5.0	5000	1280	800	200x100	32	2219005



REMA RMG hydraulic jacks

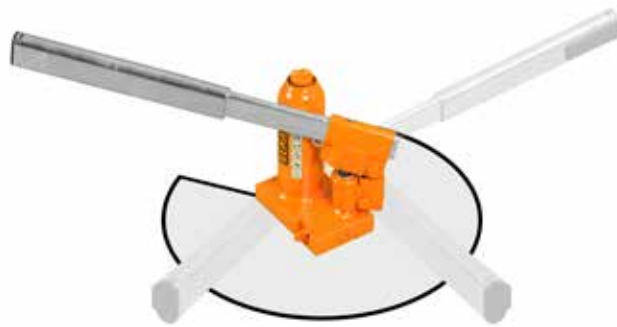
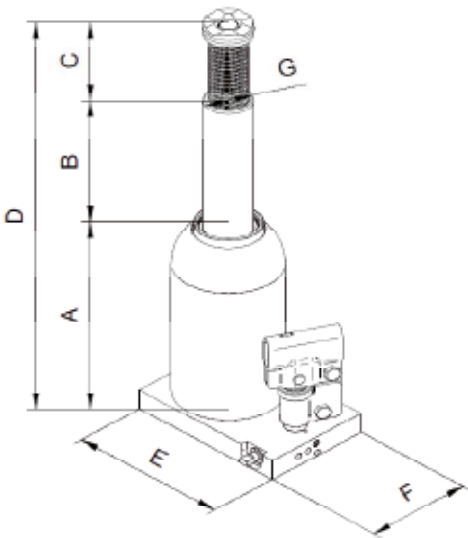


Properties

- The desired height can easily be adjusted by a spindle.
- Protection against overload by overpressure valve.
- Can only be used between -20 ° C and 60 ° C.
- Do not use in an aggressive environment (alkalis, acids, etc.).
- Not suitable for continuous supporting the load.
- Suitable for horizontal use, pump must then sit on the underside of the pump.

Norm:

- EN12100-1/2, EN13157



Type	WLL (kg)	A (mm)	B (mm)	C (mm)	D (mm)	E x F (mm)	G (mm)	Weight (kg)	ProductId
RMG-2	2.000	168	105	65	338	116 x 75	24	3.6	2760020
RMG-3	3.000	168	105	65	338	116 X 75	24	3.7	2760030
RMG-5	5000	212	150	75	437	125 X 75	29	4.5	2760050
RMG-10	10.000	219	150	75	444	144 X 90	37.2	6.4	2760100
RMG-15	15.000	228	150	75	453	164 X 110	44.5	8.5	2760150
RMG-20	20.000	234	150	75	459	172 X 120	50.9	10.6	2760200
RMG-30	30.000	242	150	75	467	196 X 144	57.6	15.5	2760300
RMG-50	50.000	260	140	-	400	214 X 165	80	28	2760500
RMG-100	100.000	300	150	-	450	333 X 296	110	87	2761000

Weber A and AT hydraulic jacks

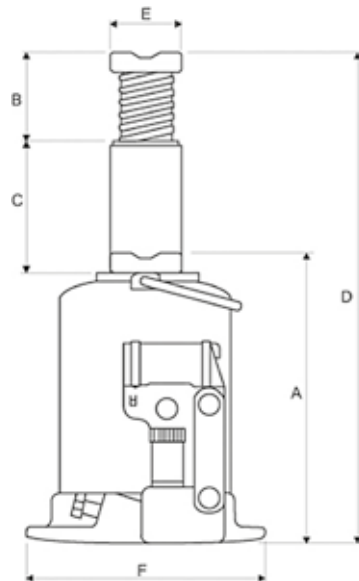


Properties

- Type A has a piston with screw spindle so that the minimum height can easily be adjusted.
- Type AT has 2 pistons so that a greater lift height is achieved.
- Protection against overload by overpressure valve.
- A carrying handle is supplied from a weight of 10 kg.
- The spherical foot (*) reduces the lateral pressure.
- Can be used from -20? up to +70? C.
- Not suitable for continuous supporting the load.
- Suitable for horizontal use up to A-30, provided that pump part is at the bottom.

Norm:

- EN12100-1/2, EN13157
- DIN76024, VBG8



Type	WLL (kg)	A (mm)	B (mm)	C (mm)	D (mm)	E (mm)	F (mm)	Weight (kg)	ProductId
A2-170	2000	170	92	115	377	28	103 x 105	2,9	2705001
A3.5-170	3500	170	92	115	377	28	103 x 105	2,9	2705003
A5-212	5000	212	100	150	462	40	110 x 110	3,9	2705005
AX8-220*	8000	220	110	150	480	48	124 x 122	5,7	2705007
A10-220*	10000	220	110	150	480	48	124 x 122	5,7	2705009
A12-230*	12000	230	110	157	497	48	134 x 120	7,1	2705011
AX15-230*	15000	230	110	155	495	60	139,5 x 130	8,3	2705013
AX20-240*	20000	240	110	155	505	60	164 x 160	10,7	2705015
AH25-240*	25000	240	118	157	515	65	185 x 176	13,1	2705017
A30-240*	30000	240	100	142	482	65	185 x 176	14,5	2705019
A50-250	50000	250	-	155	405	72	290 x 235	33	2705021
AX100-300	100000	300	-	150	450	95	330 x 295	87	2705023
ATDX3-185*	3000	185	-	215	400	R50	126 x 93	4,2	2707001
AT5-215*	5000	215	-	305	520	43	134 x 120	6,3	2707003
ATG10-200*	10000	200	68	262	530	43	164 x 160	8,8	2707007
ATPX12-230	12000	230	85	255	570	48	176 x 185	12,2	2707009

Weber ATD 10-120 extreme low jack

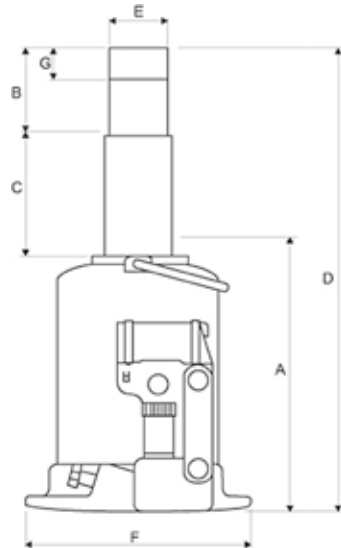


Properties

- Spherical foot reduces the lateral pressure.
- Protection against overload by overpressure valve.
- Can be used from -20 ° to + 70 ° C.

Norm:

- EN12100-1/2, EN13157
- DIN76024, VBG8



Type	WLL (kg)	A (mm)	B (mm)	C (mm)	D (mm)	E (mm)	F (mm)	G (mm)	Weight (kg)	ProductId
ATD10-120	10000	120	65/105	49	234/274	39,5	164 X 160	5/45	6,9	2707008

RMV hydraulic toe jacks



Properties

- Robust steel construction in combination with a hydraulic jack.
- Overload protection.
- Very low claw height.
- Claw adjustable in 3 positions.
- Rotating footrests.
- Carrying handle.

Application

- Lifting and positioning of heavy machinery or steel constructions.

Norm:

- EN12100-1/2, EN13157

Type	WLL (kg)	Construction height (mm)	Lifting height (mm)	Height of claw in lowest position (mm)	Weight (kg)	ProductId
RMV-3	3000	240	130	15	22	1803030
RMV-8	8000	295	140	25	28	1803080

RMGL hydraulic toe jacks



Properties

- Robust steel construction in combination with a hydraulic jack.
- Overload protection.
- Very low claw height.
- Claw adjustable in 3 positions.
- Carrying handle.

Norm:

- EN12100-1/2, EN13157

Type	WLL (kg)	Construction height (mm)	Lifting height (mm)	Height of claw in lowest position (mm)	Weight (kg)	ProductId
RMGL-10	10.000	350	150	26	30	1804100

RMH machine jack



Properties

- Compact and stable construction.
- Usable in any position.
- Very low foot.
- The housing can be rotated through 360°.
- Accurate adjustment of the lowering speed is precisely adjustable.
- prevented from overload.
- Patented construction.
- The pump handle is detachable.

Application:

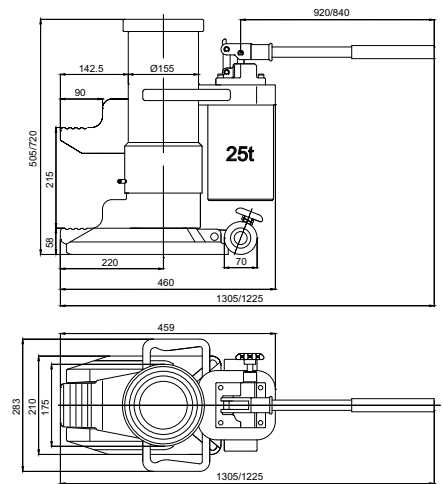
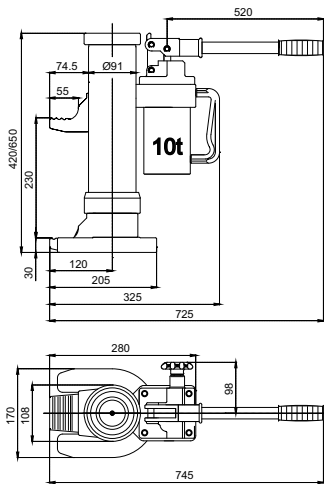
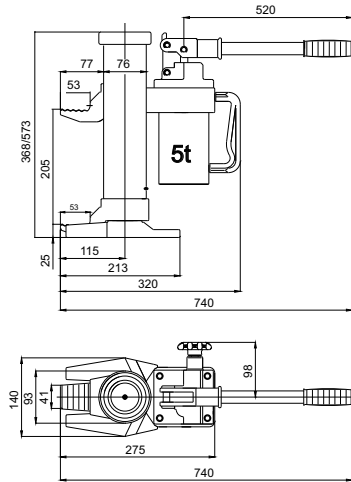
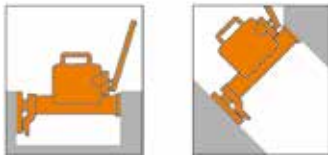
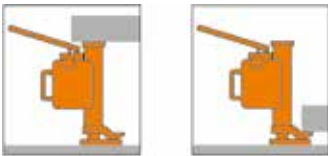
- Designed for repair, maintenance and mounting of heavy machines.

IMPORTANT:

- Never exceed the safe working load of the machine lifter.
- Never subject the claw to point loading, always fully load.
- Never add an additional load with a raised load.
- Do not use in unstable and uncertain positions.
- Use only with a flat surface that can carry the load.
- The load must be stable during lifting.
- Do not use machine lifters that are in bad condition or damaged.
- Ensure that the machine lifters are inspected and approved by a competent authority every year.
- It is not allowed to lift people with machine lifters.

Norm:

- EN12100-1/2, EN13157



Type	WLL (kg)	Maximum hand force (kg)	Weight (kg)	ProductId
RMH-50	5000	38	25	1800050
RMH-100	10000	40	35	1800100
RMH-250	25000	40	102	1800250



Workshop cranes

218

Hydraulic fork lift jack

220

GWK mobile workshop cranes



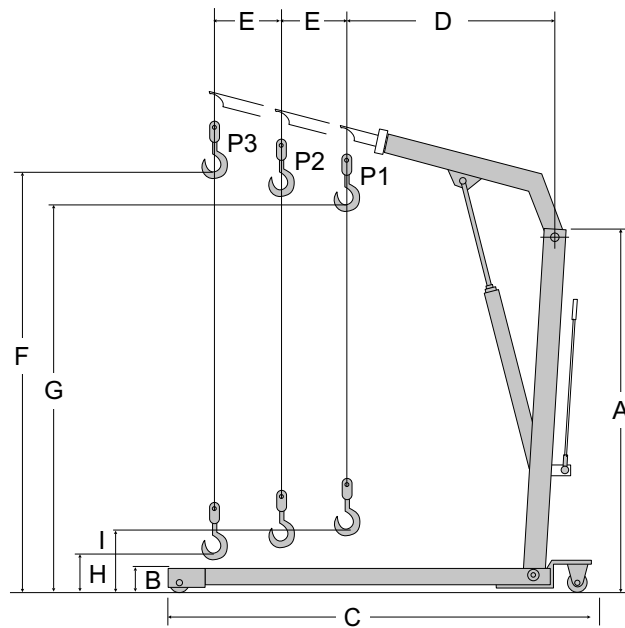
Robust construction, easy functioning. Specially for intensive working environments.

Properties

- Collapsible easy to transport.
- Robust construction.
- Hard chromed cylinder.
- Braked steering wheels can be rotated 360°.
- Rotating load hook (not under load).
- Lever adjustable in 3 positions.
- 125% proofed.
- Safety valve against overload.
- GWK-1000 has extra low legs.

Norm:

- EN12100-1/2, EN14985



Type	WLL P1 (Kg)	WLL P2 (Kg)	WLL P3 (Kg)	Width (mm)	Weight (kg)	ProductId
GWK-500	500	425	350	970	75	4220015
GWK-1000	1000	800	700	1120	115	4220017
GWK-2000	2000	1700	1500	1165	165	4220019

Type	A (mm)	B (mm)	C (mm)	D (mm)	E (mm)	F (mm)	G (mm)	H (mm)	I (mm)
GWK-500	1410	165	1510	895	102	2120	1960	130	340
GWK-1000	1675	90	1630	1230	150	2445	2330	-	245
GWK-2000	1690	205	1900	1290	150	2705	2505	-	230

GWKE euro shop cranes

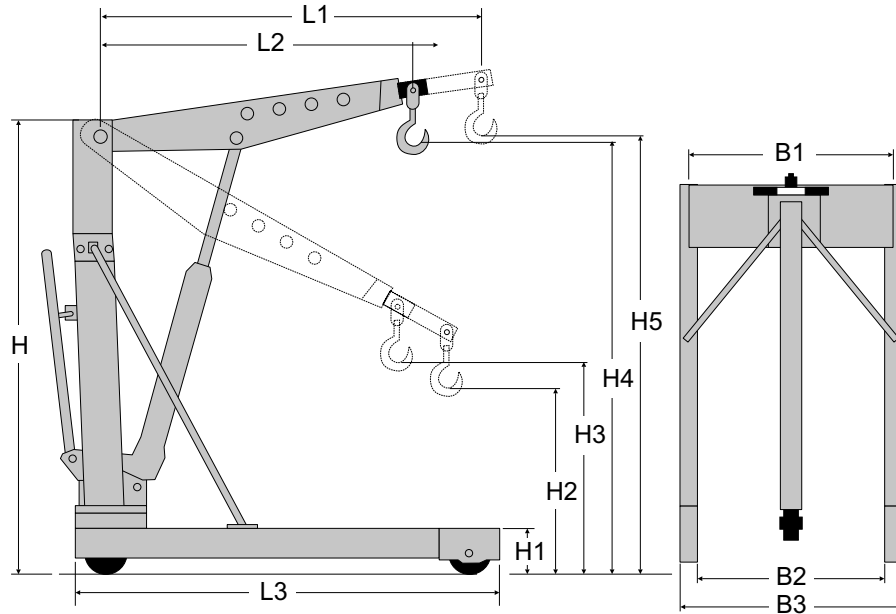


Properties

- Suitable for euro pallets 800x1200mm.
- Easy operation.
- Robust construction.
- Hard chromed cylinder.
- Braked steering wheels are rotatable through 360°.
- Rotating load hook (not under load).
- Jack adjustable in 4 positions.
- 125% proofed.
- Safety valve against overload.

Norm:

- EN12100-1/2, EN14985



Type	WLL P1 (Kg)	WLL P2 (Kg)	WLL P3 (Kg)	WLL P4 (Kg)	Weight (kg)	ProductId
GWKE-500	500	450	400	350	81	4220011
GWKE-1000	1000	900	800	700	103	4220013

Type	B1 (mm)	B2 (mm)	B3 (mm)	H (mm)	H1 (mm)	H2 (mm)	H3 (mm)	H4 (mm)	H5 (mm)	L1 (mm)	L2 (mm)	L3 (mm)
GWKE-500	925	840	1000	1595	155	470	705	2225	2475	1360	1060	1395
GWKE-1000	925	840	1000	1595	155	470	705	2225	2475	1360	1060	1395

GHC hydraulic fork lift jack



Properties

- Load capacity on pawl 4000 kg
- Load capacity on head 5000 kg
- Double lifting heights
- Overload prevention
- 2 lifting speeds normal or fast; with or without load.

Norm:

- EN12100

Type	WLL P1 (Kg)	Dim. L x W x H (Kg)	Construction height (Kg)	Lifting height (mm)	Weight (kg)	ProductId
GHC-5	5000	680 x 210 x 415	65-425	414-724	47	4260030

GHB trestles

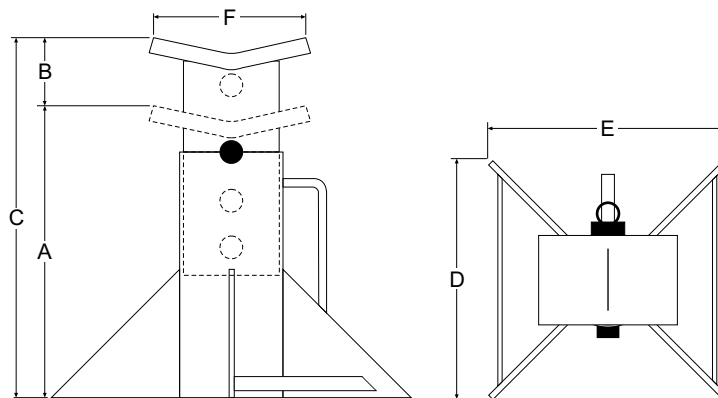


Properties

- Ideally combines with a hydraulic scissors jack
- Robust construction
- 3 height adjustments
- Available exclusively in pairs

Norm:

- EN12100



Type	WLL P1 (Kg)	A (Kg)	B (mm)	C (mm)	D (mm)	E (mm)	F (mm)	Weight (kg)	ProductId
GHB-6	12000/2	242	55	425	220	220	110	15	4261030

Pallet trucks	222
Special version pallet trucks	224
High lifters	225



PT pallet truck



The new REMA PT pallet trucks fitted with pump (model 25) are very manoeuvrable and user-friendly. The tandem fork rollers are advantageous when using these pallet truck on a less smooth floor. Single truck roller designs are frequently used in the transport sector (rubber steer wheels and polyurethane rollers).

Properties

- Quick-Lift pump (model 25) for a quick lifting of pallets.
- The pump unit has an overload protection function.
- A chromate-coated and polished piston rod provides a long life for the hydraulic cylinder.

Operation:

- All pump functions can be operated precisely by means of the three-position control lever.
- Variable lowering speed even under load.
- The tow bar will automatically return to vertical position.

Fork:

- The robust plate steel fork profiles have flattened ends and they are fitted with in- and outrunning rollers to move pallets easier.

Technical specifications:

- Highest fork position: 200 mm.
- Steering wheel: 200 mm.
- Fork rolls: 82 mm.

Option

- Foot parking brake (3410000).

Norm:

- EN12100-1/2, EN 3691-5



Foot parking brake (3410000)



Type	WLL (kg)	Model	Dimensions (mm)	min height (mm)	width of fork (mm)	Material steering wheels	Model fork roller	Material fork rollers	Weight (kg)	ProductId
PTS-25TPP	2500	Standard	1150 x 540	85	160	Polyurethane	Tandem	Polyurethane	75	3410001
PTK-25SPR-E	2500	Short	1000 x 540	85	160	Rubber	Single	Polyurethane	86	3410005
PTC-25SPR	2500	Extra short	800 x 540	85	160	Rubber	Single	Polyurethane	75	3410017
PTK-25TPR	2500	Short	1000 x 540	85	160	Rubber	Tandem	Polyurethane	75	3410015
PTS-25TPR	2500	Standard	1150 x 540	85	160	Rubber	Tandem	Polyurethane	75	3410013
PTSKB-25TPP	2500	Short/wide	1000 x 680	85	160	Polyurethane	Tandem	Polyurethane	75	3410014
PTS-25TNN	2500	Standard	1150 x 540	85	160	Nylon	Tandem	Nylon	75	3410011
PTB-25TNN	2500	Standard	1150 x 685	85	160	Nylon	Tandem	Nylon	80	3410012
PTL-18TNN	1800	Long	1500 x 540	85	160	Nylon	Tandem	Nylon	80	3410021
PTM-12TNN	1200	Medium long	1800 x 540	85	160	Nylon	Tandem	Nylon	80	3410025
PTX-10TNN	1000	Extra long	2000 x 540	85	160	Nylon	Tandem	Nylon	85	3410023

REMA HPTR Stainless steel pallettruck



The semi stainless steel hand pallet truck is produced for the food industry and is satisfy hygiene demands. European origin.

Properties

- On the semi stainless steel hand pallet truck the frame, handle, axel, bolts and pins are in stainless, while the bars, front/rear rocker arm are in galvanized.
- The hand pallet trucks can resist the most chemicals, such as salt and cleansing agent.
- The semi stainless steel hand pallet truck have a simple and reliable hydraulic system with built-in automatic neutral position valve.
- Pump unit is zinc sprayed and painted afterwards.

Standard delivery

- Fork rollers and steering wheel of nylon.
- Tandem fork rollers.

Norm:

- EN 1526

Type	WLL (kg)	Dimensions (mm)	min height (mm)	width of fork (mm)	Material steering wheels	Material fork rollers	Weight (kg)	ProductId
HPTR 449 TR/3	2500	1130 x 520	85	520	Nylon	Nylon	67	2804023

PTZ Heavy loads pallet truck

PTZ pallet trucks for extreme heavy loads

Properties:

- Especially designed pump for easy lifting of heavy loads.
- PTZ-5 has steel steering wheels & steel tandem fork rollers for excellent manoeuvrability.
- PTZ-3 has nylon steering wheels & nylon tandem fork wheels.
- To ensure transportability, pallet trucks are fitted with lifting eyes (PTZ-5).

Norm:

- EN12100-1/2, EN 3691-5



PTZ-50TSS



PTZ-30TNN

Type	WLL (kg)	Dimensions (mm)	min height (mm)	width of fork (mm)	Material steering wheels	Material fork rollers	Weight (kg)	ProductId
PTZ-30TNN	3000	1150 x 540	90	210	Nylon	Nylon	90	3410030
PTZ-50TSS	5000	1150 x 580	90	210	Steel	Steel	192	3401050

PTE Low pallet truck



PTE low pallet truck has a very low constructional height.

Properties 3410041:

- Low construction height 55 mm.
- Lifting height: 55 up to 165 mm.
- Dimension steering wheel: 180 x 50 rubber.
- Dimension fork roller 50 x 61 mm Polyurethane.

Properties 3410042:

- Extreme low construction height 36 mm.
- Lifting height: 36 up to 100 mm.
- Dimension steering wheel: 145 x 50 Polyurethane.
- Dimension fork roller 34 x 58 mm Polyurethane.

Norm:

- EN12100-1/2, EN 3691-5

Type	WLL (kg)	Fork length x width (mm)	lowest fork position (mm)	Width per fork (mm)	Material steering wheel	Material fork roller	Weight (kg)	ProductId
PTE-200TPR	2000	1150 x 540	55	160	Rubber	Polyurethane	72	3410041
PTE-X 200TPS	1000	1150 x 540	36	160	Polyurethane	steel	70	3410042

PTW wegende pallettruck

PTW weighing pallet trucks are supplied with a European digital read-out unit.



Properties

- Digital read-out unit.
- 4 measurement points in forks.
- Accuracy approximately ,1% (approx 2 kg at 2 kg).
- LED display with 18 mm high digits, scale division 1 kg.
- Power supply: 4 AA batteries.
- Duration of batteries is approx 1 year based on daily use
- Steering wheels : polyurethane.
- Temperature : -1 tot +4° C.
- Automatic power economy mode, to save battery
- Design according to IP 65 (Nema 4) /



Norm:

- EN12100-1/2, EN 3691-5

Type	WLL (kg)	Dimensions (mm)	Lowest fork position (mm)	Width per fork (mm)	Material steering wheel	Material fork roller	Weight (kg)	ProductId
PTW-N	2000	1150 x 555	85	180	Polyurethane	Polyurethane	117	3401047

PTH-M Manual high lifter



Manoevrability of pallet trucks combined with the lifting height of scissor tables.

Properties

- As a results of the supports, high stability even at highest position.
- Diameter fork roller: 82 mm.

Norm:

- EN12100-1/2, EN 3691-5

Type	WLL (kg)	Dimensions (mm)	Dimensions L x W x H (mm)	width of fork (mm)	Lifting height (mm)	Lifting height per lever stroke (mm)	min height (mm)	Model fork roller	Diameter fork wheels (mm)	Weight (kg)	ProductId
PTH-M	1000	1190 x 560	1600 x 560 x 1300	160	800	15	85	single	82	128	3401051

PTH-E electric high lifter



Manoevrability of pallet trucks combined with the lifting height of scissor tables.

Properties

- Manoevrability of pallet trucks combined with the lifting height of scissors tables.
- By means of supports, high stability even at highest position.
- Lifting height per movement: 15 mm.
- Steering wheels : polyurethane.
- Fork rollers : polyurethane - single. 82 mm.
- Lifting height : 85 to 800 mm.

Electric properties:

- Battery: 60 Ah/12Vdc.
- Included battery charger.
- Full charge about 60 x lifting.
- Can also lift manually.

Norm:

- EN12100-1/2, EN1175-1

Type	WLL (kg)	Dimensions (mm)	Dimensions L x W x H (mm)	width of fork (mm)	Lifting height (mm)	Lifting height per lever stroke (mm)	min height (mm)	Model fork roller	Diameter fork wheels (mm)	Weight (kg)	ProductId
PTH-E	1000	1190 x 580	1600 x 580 x 1300	160	800	15	85	single	82	150	3401053

HC Skid lifter



HC-100

With the supplied plate table, these pallet trucks can be converted to lifting tables with one movement of the hand.

Properties

- Combination of pallet truck and lift table.
- Ideal for your loading and unloading operations.
- Continuous-welded heavy steel frame and forks handle heavy loads with ease.
- Easy-to-use control lever, plus two parking brakes on steering wheels.
- A steering handle on 1000 kg models for easier and comfortable turning.

Technical specifications

- lifting height max. 835 mm.
- Dimensions steering wheel 150 x 40 mm Polyurethane.
- Dimensions fork roller 72 x 68 mm Polyurethane.

Norm:

- EN12100-1/2, EN1570-1



HC-50

Type	WLL (kg)	Dimensions (mm)	Lifting height per lever stroke (mm)	min height (mm)	width of fork (mm)	Material steering wheels	Material fork rollers	Model fork roller	Weight (kg)	ProductId
HC-50	500	1115 x 530	20	85	160	Polyurethane	Polyurethane	single	122	3469001
HC-100	1000	1115 x 530	10	85	160	Polyurethane	Polyurethane	single	150	3469003



SL manual winch stackers



Properties

- Compact and almost maintenance-free.
- Winch fitted with load pressure brake.
- Brakeable steering wheels.
- Model 50B : fork width, adjustable.
- Model 100B : fork width, fixed.

Norm:

- EN12100-1/2, EN3691-5



Winch with brake



Steering wheel with brake

Type	WLL (kg)	Dimensions fork (mm)	Construction height (mm)	Width (mm)	Lifting height (mm)	Lifting height per stroke (mm)	Material steering wheels	Material fork rollers	Weight (kg)	ProductId
SL-50B	500	1000x160/690	2030	160 - 690	90-1500	22	polyurethane	polyurethane	146	3470101
SL-100B	1000	1150x540	1930	540	90-1500	9.5	polyurethane	polyurethane	182	3470103

Movable lift tables	230
Stationary lift tables	231
Double scissor stationary lift tables	232
Lower stationary lift tables	233
Stationary lift tables U-form	234



HT Hand-operated movable lift table



HT-25 / HT-100

The ergonomic solution for bringing parts and tools to work height when working on machines.
 Type HT: hand-operated lifting table.
 Type D: double scissors for even more lift height.

Properties

- Hydraulic system provides a higher level of safety.
- Foot pedal for lifting.
- Controllable descent rate by means of control lever.
- REMA movable lifting tables are fitted with two fixed wheels and two steer wheels with brake.
- HT-15 is equipped with foldable push handle, other types have fixed push handle.

Norm:

- EN12100-1/2, EN1570-1



HT-15



HT-15 folded



HT-D double scissor

Type	WLL (kg)	Dimensions platform (mm)	Platform height min. (mm)	Platform height max. (mm)	Lever height (mm)	Wheel diameter (mm)	Weight (kg)	ProductId
HT-15	150	700 x 450	260	765	1000	100	41	3460015
HT-25	250	815 x 500	310	910	1100	125	78	3460025
HT-50	500	1010 x 520	420	1010	1130	150	118	3460050
HT-75	750	1010 x 520	420	1010	1130	150	120	3460075
HT-100	1000	1010 x 520	430	955	1130	150	145	3460100
HT-50D	500	1010 x 520	435	1585	1130	150	168	3460150

HS stationary lifting tables



Reinforced leaf profile

The universal stationary lifting table for lifting heavy loads can be used in a space-saving manner by placing the lifting table in a pit.

Properties

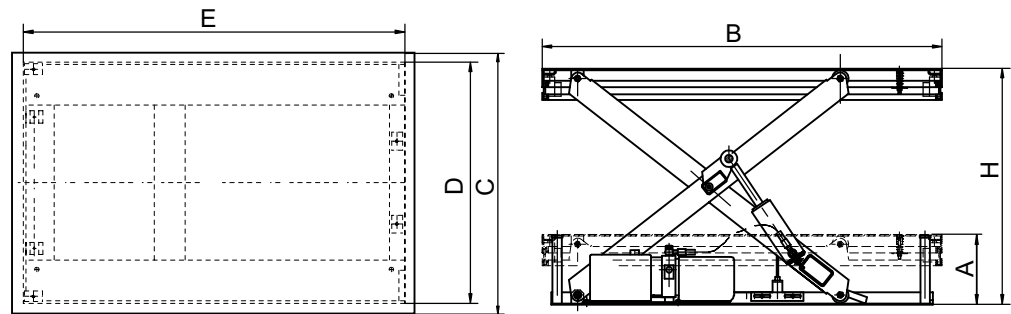
- Robust support construction.
- Profile reinforced table.
- Solid steel scissors.
- This lifting table is equipped with an aluminium safety frame.
- Support inspection for safe maintenance.
- Overload protection.
- Hose rupture safety valve.
- Hard chromed cylinder and piston rod.
- Lifetime lubricated bearings.

Standard delivery

- Includes 24 V push button switch with emergency stop.
- Removable lifting eyes for easy transport.

Norm:

- EN12100-1/2, EN1570-1



Type	WLL (kg)	Lifting time (sec)	Lifting (cycle/hour)	Current (VAC)	Control voltage (VAC)	Power output (kW)	Protection class IP	Weight (kg)	ProductId
HS05-01	500	25	21	400	24	1,1	IP54	193	3459005
HS1-01	1000	20	21	400	24	0,75	IP54	160	3459001
HS1-04	1000	30	15	400	24	1.1	IP54	210	3459007
HS2-01	2000	20	21	400	24	1,5	IP54	235	3459002
HS2-06	2000	35	15	400	24	2,2	IP54	375	3459003
HS4-01	4000	40	13	400	24	2,2	IP54	375	3459004
HS4-06	4000	45	10	400	24	2,2	IP54	505	3459006

Type	A (mm)	B (mm)	C (mm)	D (mm)	E (mm)	H (mm)
HS05-01	243	2000	800	680	1615	1043
HS1-01	248	1300	820	640	1240	1033
HS1-04	283	1700	1000	640	1580	1343
HS2-01	273	1300	850	785	1220	1043
HS2-06	293	2000	1000	785	1600	1343
HS4-01	288	1700	1200	900	1600	1098
HS4-06	348	2200	1200	900	2000	1448

HSD double scissor stationary lifting table



The table can be mounted both on the floor and in the floor.

Properties

- This lifting table is equipped with an aluminium safety frame.
- Overload protection.
- Solid steel scissors.
- Special valve for controlled descent.
- Hose rupture safety valve.
- Lifetime lubricated bearings.
- Hard chromed cylinder and piston rod.



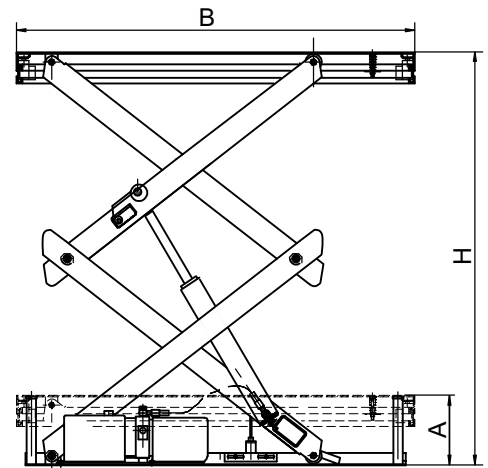
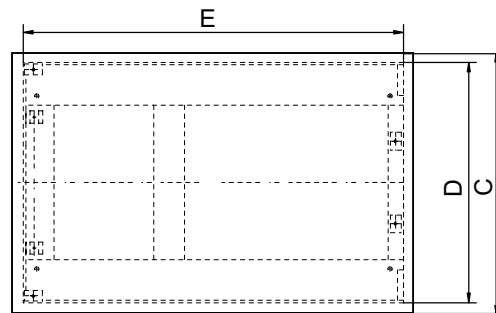
Reinforced leaf profile

Standard delivery

- Includes 24 V push button switch with emergency stop.
- Removable lifting eyes for easy transport.

Norm:

- EN12100-1/2, EN1570-1



Type	WLL (kg)	Lifting time (sec)	Lifting (cycle/hour)	Current (VAC)	Control voltage (VAC)	Power output (kW)	Protection class IP	Weight (kg)	ProductId
HSD-1.0	1000	35	12	400	24	2,2	IP54	210	3459031
HSD-2.0	2000	35	12	400	24	2,2	IP54	295	3459033
HSD-4.0	4000	55	8	400	24	2,2	IP54	520	3459035

Type	A (mm)	B (mm)	C (mm)	D (mm)	E (mm)	H (mm)
HSD-1.0	348	1300	820	680	1266	1823
HSD-2.0	403	1300	850	785	1255	1823
HSD-4.0	448	1700	1200	930	1600	2098

HSL low profile lifting tables



For lifting heavy loads in the simplest possible way, then the low stationary lifting table with the practical ramps offers a solution. The extremely low lifting table prevents time-consuming construction efforts for the creation of a pit. The practical ramp provides a solution for getting on and off with a pallet truck or transport trolley.

Properties

- Stable low bottom plate.
- Solid steel scissors.
- This lifting table is equipped with an aluminium safety frame.
- Support inspection for safe maintenance.
- Overload protection.
- Hose rupture safety valve.
- Hard chromed cylinder and piston rod.
- Lifetime lubricated bearings.
- External drive unit.
- The inclination angle of the ramp is 5°.



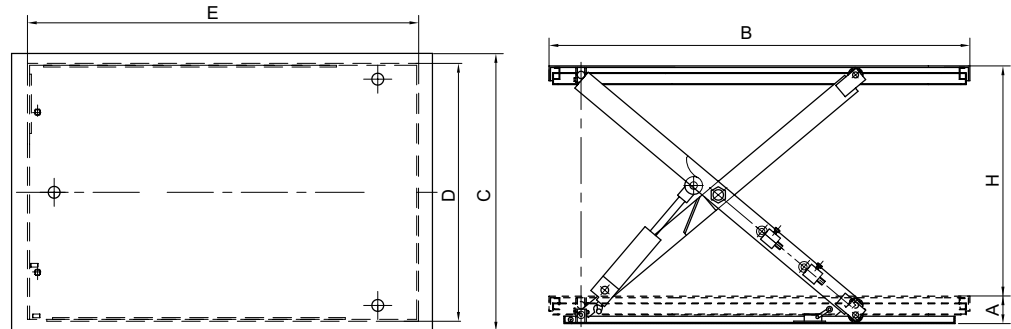
Ramp

Standard delivery

- Includes 24 V remote unit with push buttons with emergency stop.
- Removable lifting eyes for easy transport.
- Ramp.

Norm:

- EN12100-1/2, EN1570-1



Type	WLL (kg)	Lifting time (sec)	Lifting (cycle/hour)	Current (VAC)	Control voltage (VAC)	Power output (kW)	Protection class IP	Weight (kg)	ProductId
HSL-1.0	1000	20	21	400	24	0,75	IP54	302	3459011
HSL-2.0	2000	20	15	400	24	2,2	IP54	390	3459015

Type	A (mm)	B (mm)	C (mm)	D (mm)	E (mm)	H (mm)
HSL-1.0	85	1600	1140	1074	1325	860
HSL-2.0	105	1600	1200	1114	1427	870

HSU low profile lifting table



For lifting heavy loads in the simplest possible way, then the low U stationary lifting table offers a solution because this table has a recess where a pallet truck can be placed. The extremely low lifting table prevents time-consuming construction efforts for the creation of a pit.

Properties

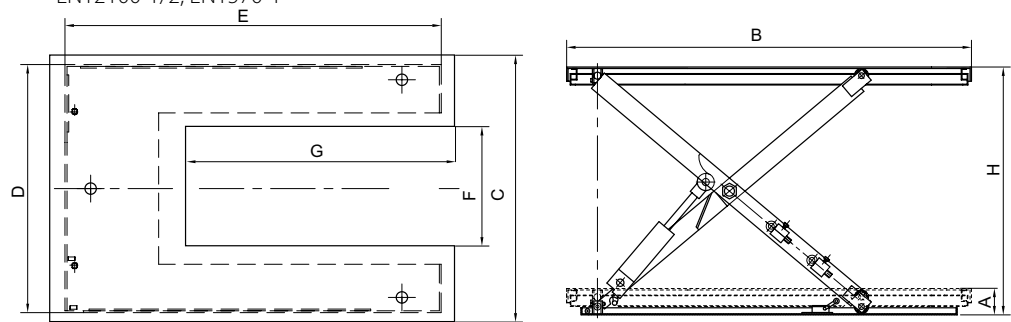
- Stable low bottom plate.
- Solid steel scissors.
- This lifting table is equipped with an aluminium safety frame.
- Support inspection for safe maintenance.
- Overload protection.
- Hose rupture safety valve.
- Hard chromed cylinder and piston rod.
- Lifetime lubricated bearings.
- External drive unit.

Standard delivery

- Incl 24 V remote control buttons and emergency stop.
- Demountable lifting eyes for easy transport.

Norm:

- EN12100-1/2, EN1570-1



Type	WLL (kg)	Lifting time (sec)	Lifting (cycle/hour)	Current (VAC)	Control voltage (VAC)	Power output (kW)	Protection class IP	Weight (kg)	ProductId
HSU-1.0	1000	18	20	400	24	0,75	IP54	280	3459017
HSU-1.5	1500	18	20	400	24	1,5	IP54	380	3459019

Type	A (mm)	B (mm)	C (mm)	D (mm)	E (mm)	F (mm)	G (mm)	H (mm)
HSU-1.0	85	1450	1140	1074	1325	585	1080	860
HSU-1.5	105	1600	1180	1114	1427	585	1194	860



TRV Roller carriage



Ideal for an easy and safe handling of loads.

Properties

- Nylon rollers running on ball bearings.
- Nylon rollers will not damage floors.
- Platforms have anti-slip rubber coatings.
- Can be easily placed or positioned by means of the hand grip.

Norm:

- EN12100

Type	WLL (kg)	Number of rollers	Platform L x W x H (mm)	Roller x width (mm)	Number of axes	Weight (kg)	ProductId
TRV-10	1000	2	330 x 220 x 118	4	100 x 35	7	4250021
TRV-20	2000	2	330 x 220 x 118	8	100 x 35	8	4250023
TRV-25	2500	2	210 x 110 x 105	2	85 x 90	4	4250025
TRV-30	3000	2	330 x 220 x 100	4	85 x 90	10	4250027
TRV-60	6000	3	260 x 200 x 105	6	85 x 90	12	4250029

TRZ Carriage with caster



Roller carriages fitted with steering rollers for good manoeuvrability.

Properties

- TRZ-102 with 2 steering wheels and 2 fixed wheels.
- TRZ-104 with 4 steering wheels.

Norm:

- EN12100

Type	WLL (kg)	Number of rollers	Platform L x W x H (mm)	Roller x width (mm)	Material	Weight (kg)	ProductId
TRZ-102	1000	4	430 x 340 x 120	75 x 46 / 100 x 35	nylon	13	4250031
TRZ-104	1000	4	430 x 340 x 120	75 x 46	nylon	14	4250033

TKV / TBV Corner movers



Rema roller carriages for handling cabinets and office furniture for handling loads with a maximum 600 kg with or without legs.

Properties

- 1 set consists of 4 units.
- Ease of steering due to the 3 supported steer wheels.
- Every carriage is rubber-coated to avoid damages to goods.
- Models KV for loads without legs (cabinets, cases etc).
- Models BV for furniture with legs (tables, desks etc).

Norm:

- EN12100

Type	WLL (kg)	Number of rollers	Dimensions (mm)	Material	Weight (kg)	ProductId
TKV-100K	400	3	305 x 165 x 65	Nylon	5.6	4250051
TBV-100B	400	3	195 x 165 x 85	Nylon	4.8	4250053
TKV-150K	600	3	366 x 204 x 85	Nylon	8.0	4250055

TRS heavy machinery roller skates



Nylon rollers running on bearings except for models TRS-120 fitted with steel rollers. Nylon rollers will not damage floors. Platforms have anti-slip rubber coatings. Can be easily placed or positioned by means of the hand grip.

Properties

- The steering platform skate running on bearings makes manoeuvring with heavy loads easier.
-

Norm:

- EN12100

Type	WLL (kg)	Number of rollers	Platform L x W x H (mm)	Roller x width (mm)	Material	Weight (kg)	ProductId
TRS-30	3000	4	310 x 255 x 105	85 x 90	nylon	15	4250001
TRS-60	6000	8	630 x 400 x 115	85 x 90	nylon	50	4250003
TRS-120	12000	8	630 x 400 x 115	83 x 80	steel	66	4250005

TRW roller skates



Roller skates can be joined by means of two connecting rods. Roller skates are always supplied in pairs incl 2 connecting rods.

Norm:

- EN12100

Type	WLL (kg)	Number of rollers	Platform L x W x H (mm)	Roller x width (mm)	Material	Weight (kg)	ProductId
TRW-60	6000/2	8	315 x 200 x 115	85 x 90	nylon	30	4250011
TRW-120	12000/2	12	420 x 200 x 115	85 x 90	nylon	38	4250013
TRW-240	24000/2	16	490 x 220 x 115	83 x 85	steel	65	4250015

RTRS Skates



The steering platform skate running on bearings makes manoeuvring with heavy loads easier.

Properties

- Polyurthane rollers running on bearings.
- Polyurthane rollers will not damage floors.
- Platforms have anti-slip rubber coatings.
- Can be easily placed or positioned by means of the hand grip.

Norm:

- EN12100

Type	WLL (kg)	Number of rollers	Steering platform L x W x H (mm)	Dimension skate L x W x H (mm)	Turntable (mm)	Length of lever (kg)	Weight (kg)	ProductId
RTRS-8.0T	8.000	4	230 x 230 x 110	170 x 140 x 110	Ø 150	800	31	4250108
RTRS-16T	16.000	8	560 x 420 x 110	200 x 200 x 110	Ø 160	1100	76	4250116
RTRS-24T	24.000	12	750 x 450 x 110	256 x 200 x 110	Ø 180	1100	106	4250124
RTRS-36T	36.000	18	780 x 550 x 110	300 x 550 x 110	Ø 200	1500	148	4250136

TS roller skate for heavy machinery



REMA roller skate sets consist of 4 rollers, 2 bogies, 2 raising blocks, 2 steering rods and 2 connecting rods. Delivered in metal storage/transport case with the appropriate pull handle.

Applications

- Short, variable handling distances.
- For commissioning work and handling heavy loads.
- Due to the steering rods, large machines can be handled with ease.
- The handling speed may not exceed 5 m/min.
- Minimum turning cycle is 3 meter.

Norm:

- EN12100

Type	WLL (kg)	Platform L x W x H (mm)	Turntable (mm)	Roller diameter (mm)	Weight (kg)	ProductId
TS-20	20000	120 x 120 x 108	130	18	50	4211003
TS-30	30000	120 x 120 x 117	130	24	58	4211005
TS-60	60000	130 x 130 x 140	150	30	92	4211007

TRH roller type handspikes



Handspikes made of steel pipe are designed for a problem-free lifting of loads.

Norm:

- EN12100

Type	WLL (kg)	Lever length (mm)	Lifting height (mm)	Roller diameter (mm)	Weight (kg)	ProductId
TRH-15	1500	2000	130	70 x 55	13	4250040

Overload limiters	240
Portal cranes	241
Column- and wall mounting cranes	243
Tripods	244
Traverse	245



HF overload limiter for wire ropes



Working principle: The deviation of the cable caused by the intervention of the sensor causes a tangential force that is proportional to the force exerted on the traction cable. In the event of an overload, a microswitch integrated in the sensor is pressed and stops the electric wire rope hoist.

Technical specifications

- Basic version: for cables from 4 to 35 mm.
- Measuring sensor: integrated microswitch.
- Installation: directly on the fixed part.
- Sensor material: aluminum of aviation quality.
- Surface treatment: colorless anodising.
- Calibration system: by micrometric screw.
- Switching voltage: max 220 VAC.
- Switching current: max 5 Amp.
- Accuracy: 5% of EM.
- Operating temperature: from -30 ° to + 80 ° C.
- Protection class: IP40.
- Maintenance: none.
- Connection: 3-wire electricity cable.
- Electrical output: contact plug.
- Length of cord: 2 meters, option 5 meters.

Application

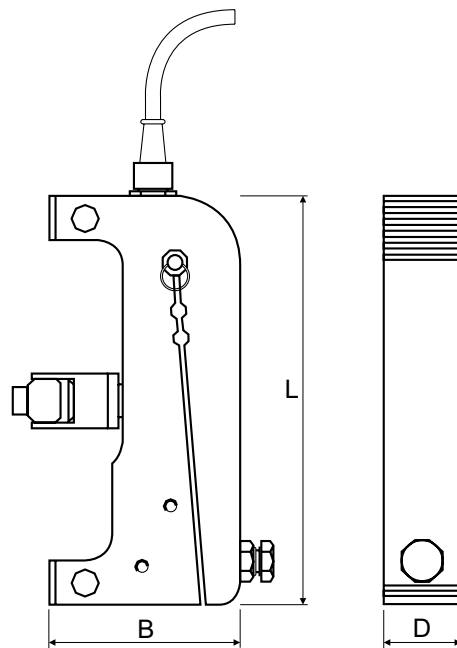
- This overload protection is specifically designed for overhead cranes with multiple parts.

Option

- IP65.

CHECKLIST for request of the load limiter

- Capacity crane.
- Quantity of falls, minimal 2 fall.
- Diameter cable.
- Option IP65, standard IP40.



Type	WLL (kg)	Cable diameter (mm)	B (mm)	D (mm)	L (mm)	Weight (kg)	ProductId
HF-0A	150 - 1600	4 - 10	59	28	120	0,4	4498000
HF-1A	250 - 3200	5 - 16	70	40	150	0.85	4498001
HF-2A	500 - 7000	17 - 25	98	50	200	2	4498002
HF-3A	1000 - 12000	24 - 35	138	60	280	5	4498003

PKA aluminum portal cranes



1500 kg

Properties

- Very short assembly and disassembly time of a few minutes.
- 3-part dismantlable, two columns and a support beam.
- Foldable columns for easy transport.
- Height adjustment, installation in low spaces is possible.
- Adjustable span by one, movable, columns.
- Very low own weight because the crane is made entirely of aluminum and plastic.

Applications

- If a non-permanent lifting point has to be created quickly and easily.
- Ideal for use when changing tools on machines or as an aid for repairs and replacement of parts, machines and pumps.

Standard delivery

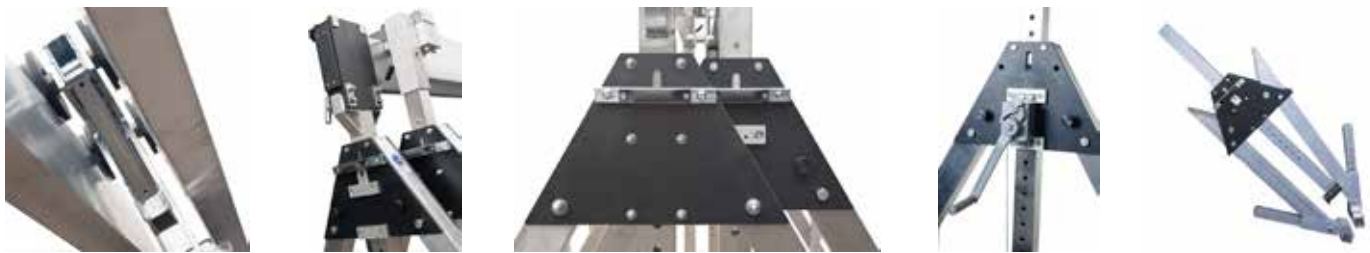
- Trolley included.
- Exclusive hoist (see Chapter 1).

Option

- Wall console for 1 side.
- Mobile version (no load).
- Other versions on request.



3000 kg



3000 kg

Winch for height adjustment

Folded

Type	WLL (kg)	Height (mm)	Leg width (mm)	Beam length (mm)	Weight (kg)	ProductId
PKA-K-2	1500	1180 - 2100	1200	2000	98	3940008
PKA-K-3	1500	1180 - 2100	1200	3000	105	3940000
PKA-K-4	1500	1180 - 2100	1200	4000	115	3940001
PKA-M-2	1500	1680 - 3000	1710	2000	111	3940009
PKA-M-3	1500	1680 - 3000	1710	3000	121	3940002
PKA-M-4	1500	1680 - 3000	1710	4000	130	3940003
PKA-M-5	1500	1680 - 3000	1710	5000	140	3940007
PKA-G-2	1500	2230 - 4000	2290	2000	127	3940010
PKA-G-3	1500	2230 - 4000	2290	3000	138	3940004
PKA-G-4	1500	2230 - 4000	2290	4000	146	3940005
PKA-G-5	1500	2230 - 4000	2290	5000	156	3940006

PKAV Aluminium portal crane mobile



Properties

- Mobile with load.
- Very short assembly and disassembly time of a few minutes.
- 3-part dismountable, two columns and a support beam.
- Foldable columns for easy transport.
- Height adjustment, installation in low spaces is possible.
- Adjustable span by one, movable columns.
- Very low own weight because the crane is made entirely of aluminum and plastic.

Applications

- If a non-permanent lifting point has to be created quickly and easily.
- Ideal for use when changing tools on machines or as an aid for repairs and replacement of parts, machines and pumps.

Standard delivery

- Trolley included.
- Exclusive hoist (see Chapter 1).

Option

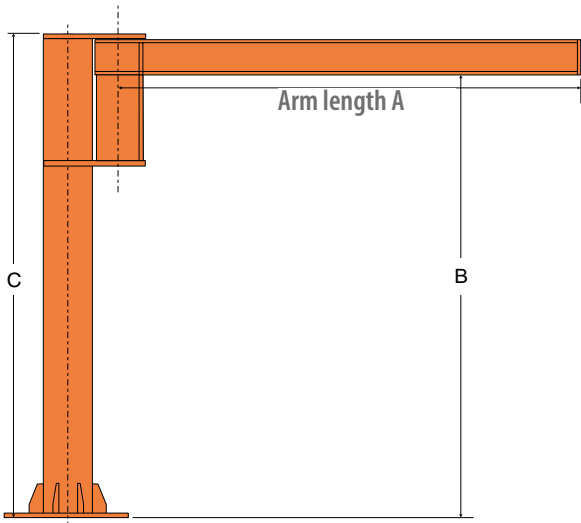
- Other designs on request

Type	WLL (kg)	Height (mm)	Leg width (mm)	Beam length (mm)	Weight (kg)	ProductId
PKAV-K-3M	1000	1500-2000	1250	3000	127	3943001
PKAV-K-4M	1000	1500-2000	1250	4000	136	3943003
PKAV-M-3M	1000	2000-3000	1700	3000	149	3943005
PKAV-M-4M	1000	2000-3000	1700	4000	158	3943007
PKAV-M-5M	1000	2000-3000	1700	5000	168	3943008
PKAV-G-3M	1000	2250-3500	2000	3000	159	3943009
PKAV-G-4M	1000	2250-3500	2000	4000	168	3943011
PKAV-G-5M	1000	2250-3500	2000	5000	178	3943013

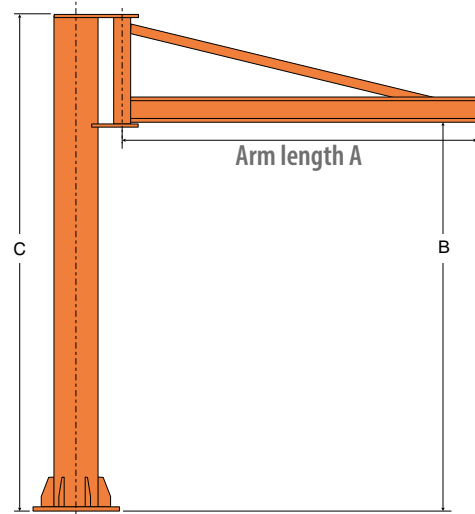
Column- and wall mounted jib cranes on request

Norm:

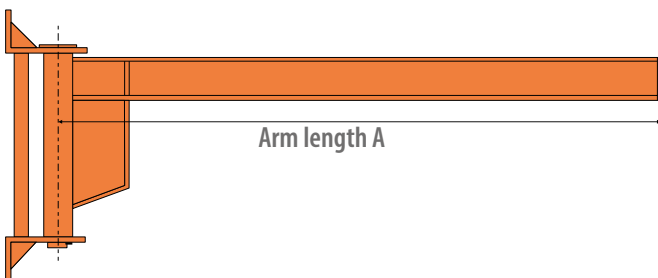
- EN 1993, EN 12100-1/2, EN 13157



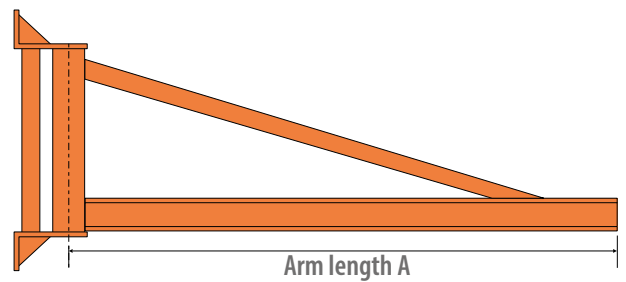
Type:
Column jib crane 270° degree slew.



Type:
Column jib crane 270° degree slew.



Type:
Wall mounted jib crane 180° slew.



Type:
Wall mounted jib crane 180° slew.

D / DW aluminum tripods



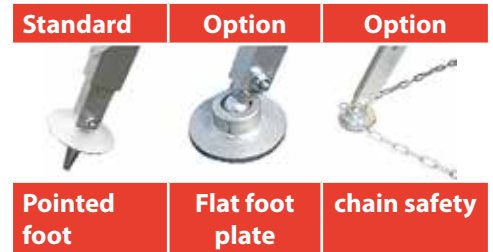
REMA aluminum tripods are very light and easy to transport in any trunk because they can be retracted, so ideal for work.

Properties

- Light aluminum construction.
- Easy to transport through the telescopic version.
- Type D is equipped with suspension eye, height adjustment and pointed legs.
- Type DW is equipped with galvanized winch with load pressure brake, complete with steel cable and rotatable load hook, height adjustment and pointed legs.

Option

- Steel tripods on request.
- 3050025 flat footplates with anti-slip coating.
- 3050026 securing chain against leg slip.



Type	WLL (kg)	Leg length min / max (mm)	Height (mm)	maximum spread (mm)	Lifting height (m)	Weight (kg)	ProductId
D-250	250	1180 - 1880	940 - 1580	940 - 1500	-	10	3050001
D-500	500	1500 - 2500	1150 - 2050	1200 - 1950	-	17	3050005
D-503	500	1760 - 3000	1450 - 2630	1430 - 2390	-	20	3050002
D-1000	1000	1780 - 3000	1380 - 2540	1650 - 2350	-	27	3050004
D-1004	1000	2250 - 4000	1860 - 3440	1790 - 3070	-	36	3050006
DW-200	200	1180 - 1880	940 - 1580	950 - 1500	5	20	3050003
DW-500	500	2100 - 2500	1700 - 2100	1500 - 2000	5	35	3050007
DW-530	500	2400 - 3000	2000 - 2400	1900 - 2500	7	45	3050009
DW-1000	1000	2400 - 3000	1900 - 2400	1900 - 2500	7	45	3050011
DW-1040*	1000	2850 - 4000	2400 - 3400	2200 - 3000	7	69	3050013

Hoist traverse beams with 2 fixed hooks.



Properties

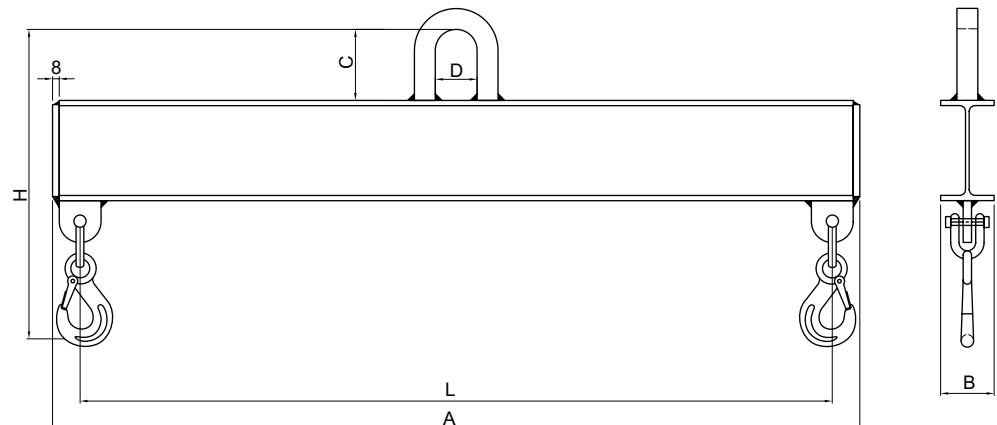
- Surface finish: zinc phosphate primer RAL 2004 (orange).
- Capacity range labelling.
- Black-and-yellow safety markings at beam ends.
- Hooks equipped with safety latches.
- High quality steel hooks grade 10.

Option

- Sandblasting and painting in every RAL color.
- Higher load capacity and bigger dimensions on request.

Norm:

- EN12100-1/2, EN13155, EN1677, PAS1065



Type	WLL (kg)	A (mm)	B1 (mm)	C (mm)	D (mm)	H (mm)	L (mm)	Weight (kg)	ProductId
TRA-VA-1000-1M	1000	1070	65	85	55	380	1000	13	3962001
TRA-VA-1000-1.6M	1000	1670	65	85	55	400	1600	22	3962003
TRA-VA-1000-2.5M	1000	2570	75	85	55	420	2500	38	3962005
TRA-VA-1000-3,15M	1000	3220	85	85	55	420	3150	57	3962007
TRA-VA-1600-1,6M	1600	1690	75	85	55	480	1600	27	3962009
TRA-VA-1600-2,5M	1600	2590	85	85	55	500	2500	55	3962011
TRA-VA-1600-3,15M	1600	3240	90	85	55	520	3150	78	3962013
TRA-VA-1600-4M	1600	4090	100	85	55	520	4000	98	3962015
TRA-VA-2500-2,5M	2500	2590	90	85	70	540	2500	68	3962017
TRA-VA-2500-3,15M	2500	3240	100	85	70	560	3150	111	3962019
TRA-VA-2500-4M	2500	4090	110	85	70	580	4000	138	3962021
TRA-VA-2500-5M	2500	5090	135	85	70	600	5000	198	3962023

Hoist traverse beams with 2 adjustable hooks.



Properties

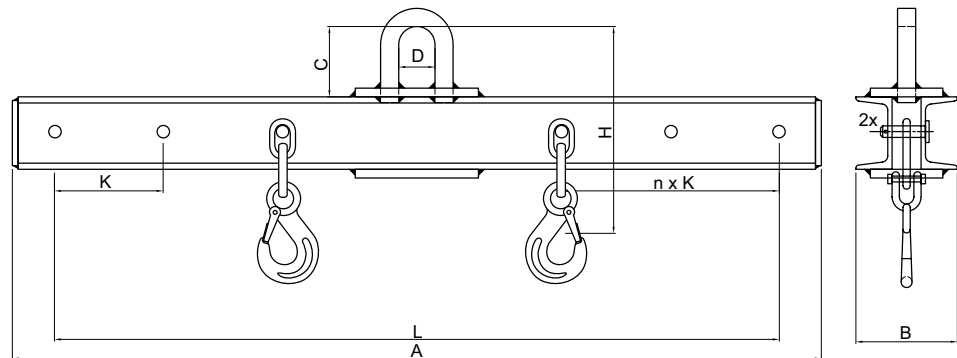
- Surface finish: zinc phosphate primer RAL 2004 (orange).
- Capacity range labelling.
- Black-and-yellow safety markings at beam ends.
- Hooks equipped with safety latches.
- High quality steel hooks grade 10.

Option

- Sandblasting and painting in every RAL color.
- Higher load capacity and bigger dimensions on request.

Norm:

- EN12100-1/2, EN13155, EN1677, PAS1065



Type	WLL (kg)	B2 (mm)	C (mm)	D (mm)	H (mm)	L (mm)	n x k (mm)	Weight (kg)	ProductId
TRA-VE-1000-1M	1000	140	85	55	380	1000	2 x 150	30	3962041
TRA-VE-1000-1,6M	1000	140	85	55	400	1600	3 x 150	40	3962043
TRA-VE-1000-2,5M	1000	160	85	55	420	2500	5 x 150	67	3962045
TRA-VE-1000-3,15M	1000	170	85	55	420	3150	7 x 150	100	3962047
TRA-VE-1600-1,6M	1600	150	85	55	480	1600	2 x 200	48	3962049
TRA-VE-1600-2,5M	1600	170	85	55	500	2500	4 x 200	83	3962051
TRA-VE-1600-3,15M	1600	190	85	55	520	3150	5 x 200	120	3962053
TRA-VE-1600-4M	1600	200	85	55	520	4000	7 x 200	171	3962055
TRA-VE-2500-2,5M	2500	180	85	70	540	2500	4 x 200	115	3962057
TRA-VE-2500-3,15M	2500	200	85	70	560	3150	5 x 200	140	3962059
TRA-VE-2500-4M	2500	220	85	70	580	4000	7 x 200	202	3962061
TRA-VE-2500-5M	2500	240	85	70	600	5000	8 x 200	284	3962063

BBJ cross traverses

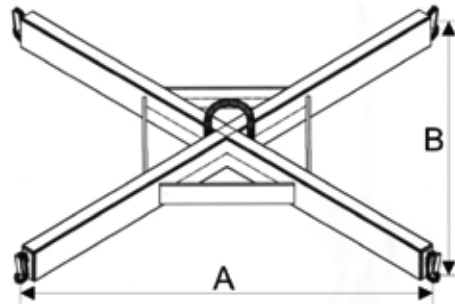


Properties

- 4 welded hooks (Grade 8) for stable suspension.
- Surface finish: RAL 2004 (orange).
- Capacity range labelling.
- Black-and-yellow safety markings at beam ends.
- Hooks equipped with safety latches.

Norm:

- EN12100-1/2, EN13155, EN1677



Type	WLL (kg)	A (mm)	B (mm)	Construction height (mm)	Lifting eye diameter (mm)	Weight (kg)	ProductId
BBJ-1.0	1000	800	800	150	25	21.0	3963010
BBJ-1.5	1500	800	800	150	25	24.0	3963015
BBJ-2.0	2000	800	800	200	25	29.0	3963020
BBJ-2.5	2500	800	800	200	25	31.0	3963025

BBJR cross traverses

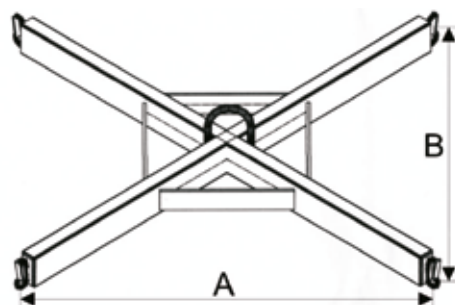


Properties

- 4 hooks for stable suspension.
- Material: Stainless steel AISI 316.
- Capacity range labelling.
- Hooks equipped with safety latches.

Norm:

- EN12100-1/2, EN13155, EN1677



Type	WLL (kg)	A (mm)	B (mm)	Construction height (mm)	Lifting eye diameter (mm)	Weight (kg)	ProductId
BBJR-1.0	1000	800	800	215	25	25.0	3963110
BBJR-1.5	1500	800	800	230	25	30.0	3963115

HTH fork-lift hook

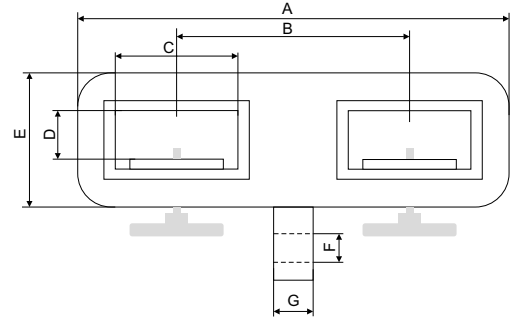


Properties

- Make a mobile crane of your fork-lift truck.
- Screw clamps on the forks for safety.
- Included swivel hook (Grade 8).

Norm:

- EN12100-1/2, EN13155, EN1677, EN13889



IMPORTANT

- Do not exceed the capacity of the fork-lift truck.
- Pay attention to the load's centre of gravity.
- Prevent wobbling of the load during transport.

Type	WLL (kg)	Dimensions fork opening (mm)	Weight (kg)	ProductId
HTH-1000	1000	125 x 50	14	3963501
HTH-2500	2500	135 x 55	25	3963503
HTH-5000	5000	145 x 55	46	3963505

Type	A (mm)	B (mm)	C (mm)	D (mm)	E (mm)	F (mm)	G (mm)
HTH-1000	437	255	135	55	116	24	16
HTH-2500	657	450	145	60	140	27	20
HTH-5000	600	420	180	100	175		

Forklift crane arm HKA



Properties

- 10 positions extendable.
- 4 positions adjustable.
- Equipped with lock chain.
- Equipped with fork insertion and lock chain.
- Color orange.

Technical specifications

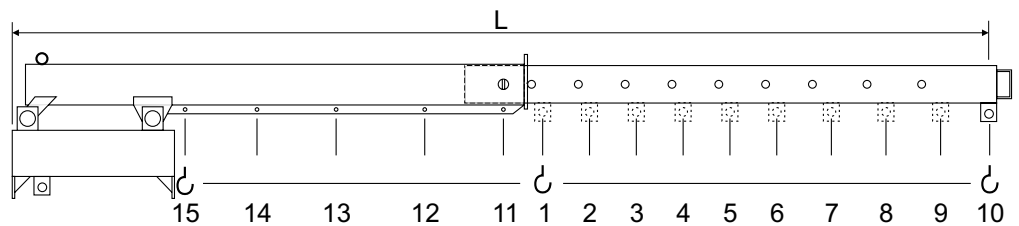
- Fork inserts 2000 kg = 180 x 80 mm
- Fork inserts 3000 kg = 225 x 80 mm

Application

- Ideal for all kinds of disassembly and assembly work.

Norm:

- EN12100-1/2, EN13155, EN1677



Type	WLL (kg)	Length (mm)	Breedte (mm)	Weight (kg)	ProductId
HKA-2.0	2000	2165-3740	520	175	3965002
HKA-3.0	3000	2165-3740	643	280	3965003

Suspended cables for crane power supply 250

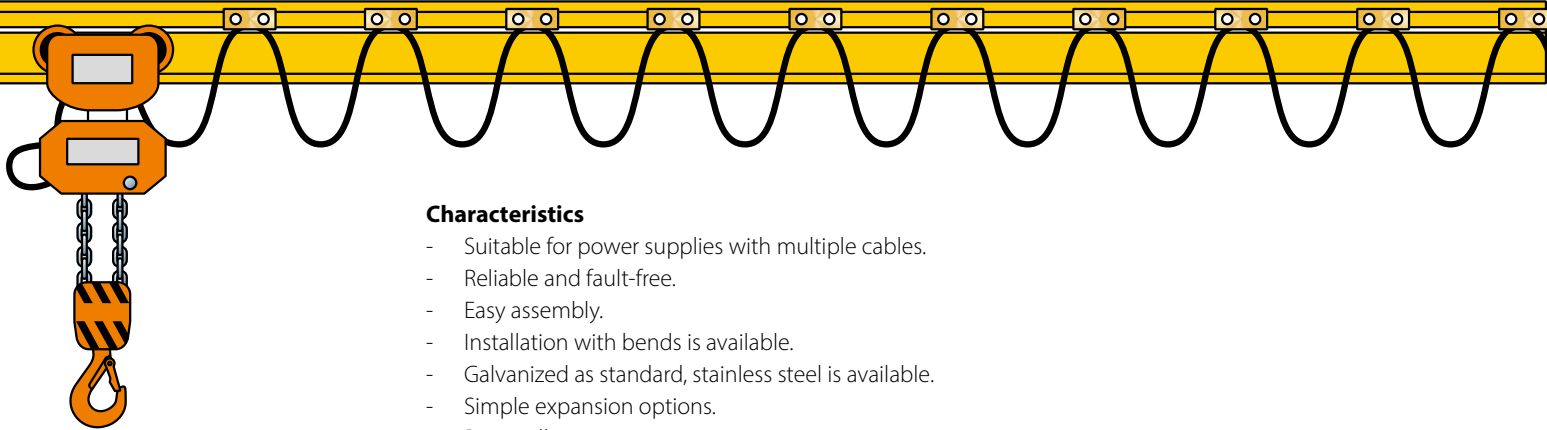
Fittings for suspension cables 251

Flat cable system 253



Information

A simple and economical solution for movable power supplies for crane and transport installations, hoists, power tools, machines etc.



Characteristics

- Suitable for power supplies with multiple cables.
- Reliable and fault-free.
- Easy assembly.
- Installation with bends is available.
- Galvanized as standard, stainless steel is available.
- Simple expansion options.
- Practically no maintenance.

A complete installation consists of:

A | Running rails

Specify the profile size with the help of table 1.

- The total rail length consists of the track length (e.g. crane or lift track) plus the necessary overtravel (the length of the cable trolleys pushed together +15%. (see Picture 1).

B | Rail junction

Number of rail junctions:

The number of rails minus 1.

Example: Rail length = 12 m Number of rails = 4 (4x3m)
 $4 - 1 = 3$ braces

C | Ceiling or wall fixings

Determination of the number of ceiling or wall fixings:

- Along the running path in 1 to 2 intervals.
- Along the loading path in 0,5 to 1 m intervals.

D | Cable trolleys

For determination the numbers of cable trolleys multiply the allowable cable deflection by two and divide the length of track by the result obtained.

Example: Rail length = 12 m. Deflection = 0.6 m.
 $12 : (2 \times 0.6) = 12 : 1.2 = 10$ pcs incl. the tow trolley

E | Tow trolley

- 1 per installation

F | Connection clamp

- 1 per installation

G | Rail stop

- 1 per installation

Picture 1

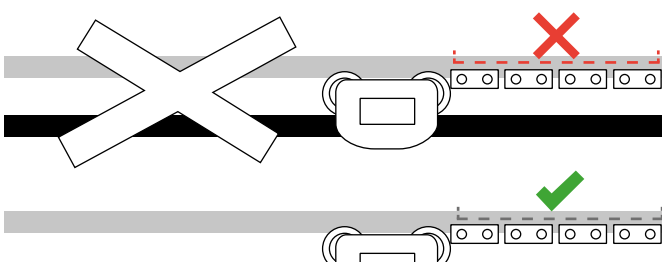
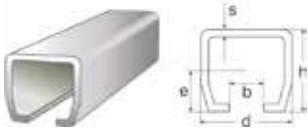


Table 1

Table for determining the correct rail profile:

Profile	Round cable diameter in mm					WLL cable trolley (kg)
	8 - 15	16 - 24	25 - 32	33 - 43	44 - 60	
PR400						50
PR300						30
PR100						10

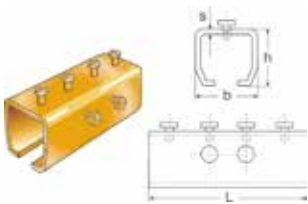
C-rail



The standard length of C-rails for each profile sizes is appr. 6 m. Orders shorter than 18 m are delivered in 3 m lengths for an easier transport.

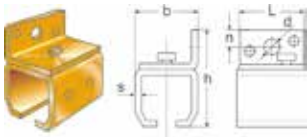
Type	B (mm)	D (mm)	E (mm)	H (mm)	S (mm)	Capacity per meter (kg)	Weight (kg/pcs/m)	ProductId
PR100	8	30	15,8	28	1,75	80	1.3	4001001
PR300	11	40	19,8	35	2,75	100	2.5	4001003
PR400	15	48.5	24,8	43.5	3,20	200	3.8	4001005

Rail extensions



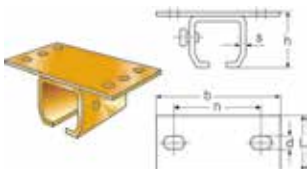
Type	B (mm)	H (mm)	L (mm)	S (mm)	Weight (kg/pcs/m)	ProductId
1103	38	36	85	3	0.3	4003001
1303	50	45	120	4	0.6	4003003
1403	60	54	150	4,5	1.0	4003005

Lateral fastener



Type	B (mm)	D (mm)	H (mm)	L (mm)	N (mm)	S (mm)	Weight (kg/pcs/m)	ProductId
101	38	8	60	40	10	3	0.15	4005001
301	50	11	76	55	13	4	0.35	4005003
401	60	13	94	68	16,5	4,5	0.5	4005005

Top fastener



Type	B (mm)	D (mm)	H (mm)	L (mm)	N (mm)	S (mm)	Weight (kg/pcs/m)	ProductId
102	90	8	39	40	63 ± 3.5	3	0.2	4007001
302	115	11	50	55	80 ± 4.0	4	0.35	4007003
402	130	13	59	60	94 ± 4.0	4,5	0.5	4007005

C-Rail console



Included 2 clamps

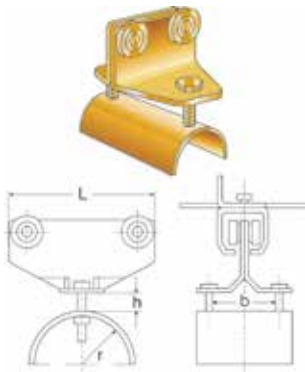
Type	Length (mm)	Weight (kg/pcs/m)	ProductId
PR100-60CM	600	1.1	4038003
PR100-150CM	1500	1.9	4038004

Rail end stop



Type	For rail profile	A (mm)	B (mm)	C (mm)	D (mm)	Weight (kg/pcs/m)	ProductId
100P	100	25	26	23	M 8	0.05	4009001
300P	300	30	32	27	M10	0.09	4009003
400P	400	35	39	34	M10	0.12	4009005

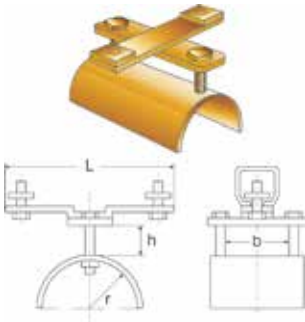
Flat cable trolley



All cable cars are fitted with impact and water-resistant wheels; buffers at both sides.
* Fitted with plastic wheels

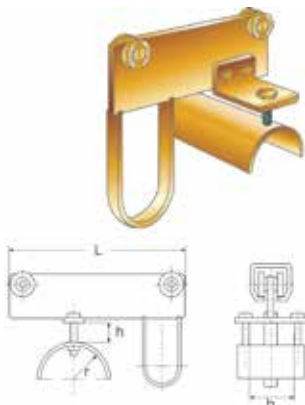
Type	B (mm)	H (mm)	L (mm)	R (mm)	Cable holder (mm)	Weight (kg/pcs/m)	ProductId
157*	55	20	95	25	55x20	0.3	4011001
137	55	20	95	25	55x20	0.4	4012001
337	60	40	150	45	60x40	0.8	4011004
337	100	40	180	45	100x40	1.1	4011003
437	80	40	180	45	80x40	1.2	4011006
437	100	40	180	45	100x40	1.3	4011005

Flat cable clamps for C-rail



Type	B (mm)	H (mm)	L (mm)	R (mm)	Cable holder (mm)	Weight (kg/pcs/m)	ProductId
137E	55	20	107	25	55x20	0.3	4013001
337E	60	40	150	45	60x40	0.7	4013004
337E	100	40	150	45	100x40	0.8	4013003
437E	80	40	150	45	80x40	0.7	4013006
437E	100	40	150	45	100x40	0.8	4013005

Flat cable towing trolley



* Fitted with plastic wheels

Type	B (mm)	H (mm)	L (mm)	R (mm)	Cable holder (mm)	Weight (kg/pcs/m)	ProductId
157M*	55	20	165	25	55x20	0.5	4015001
137M	55	20	165	25	55x20	0.6	4016001
337M	60	40	260	45	60x40	1.4	4015004
337M	100	40	260	45	100x40	1.5	4015003
437M	80	40	260	45	80x40	1.7	4015006
437M	100	40	260	45	100x40	1.8	4015005

Fall arrest info	256
Personal safety harness sets	258
Harnesses	260
Lanyards	265
Fall arrestors	269
Extra safety tools	271



Introduction to personal fall protection

Harnesses

Application where there is risk of falling

Hip belts

Only use for positioning work, so not as fall protection.

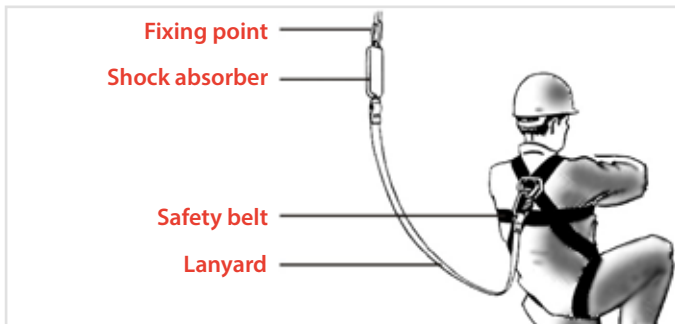
Important information

- Careless use may result in physical injury.
- Read the instructions supplied with your safety gear carefully before use.
- Check visually every time before use.
- For normal use, record these checks at least once a year on the registration card supplied.
- For intensive use, do this at least once every three months.
- Recommended service life of lines at most 10 years from manufacturing date depending on the usage frequency.
- Recommended service life of harnesses and equipment at most 10 years.
- Have fall arrest devices retested only by the manufacturer.
- Belts and lines must not be used again after a fall or other damage.
- The attachment eye on the back and attachment textile loops on the front are only intended for attachment of the safety line.
- Only use positioning eyes on front of (integrated) hip belt in situations where there is no risk of falling from height.

Technical information

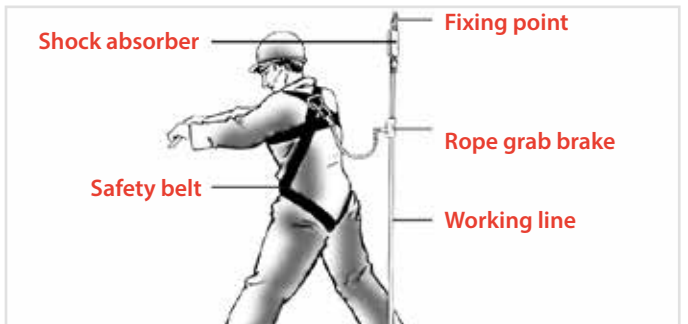
Features of hip belts and harnesses

- Universal sizes (except for hip belt and EXPERT and VOLTA harnesses).
- Ideal fit.
- No pressure points.
- Highly comfortable to wear.
- Standard strap width 45 mm.
- Colour: bright red/blue.
- Conformity declaration and CE marking supplied.
- User manual included.
- Registration card for periodic inspections.



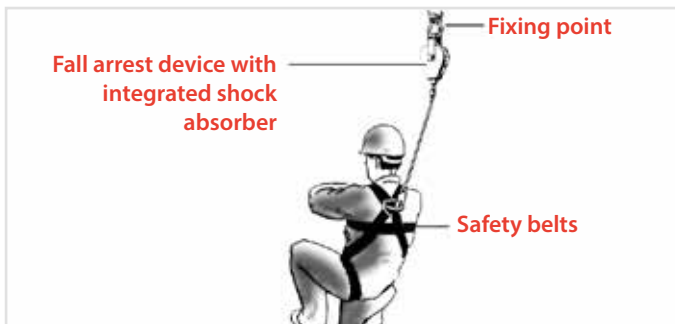
Harness with lanyard and shock absorber

Application with risk of falling
Maximum movement radius: less than 2 metres



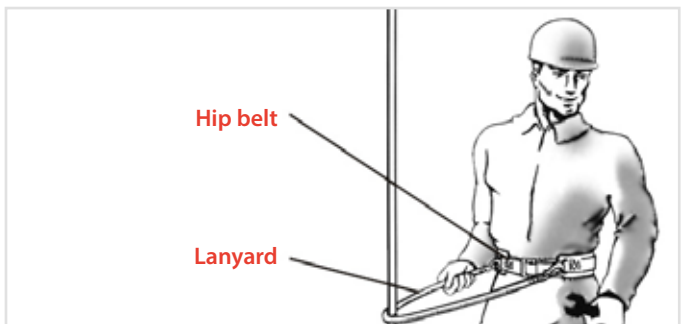
Harness with rope grab on working line

Application with risk of falling
Greater movement radius needed



Harness with fall arrest device

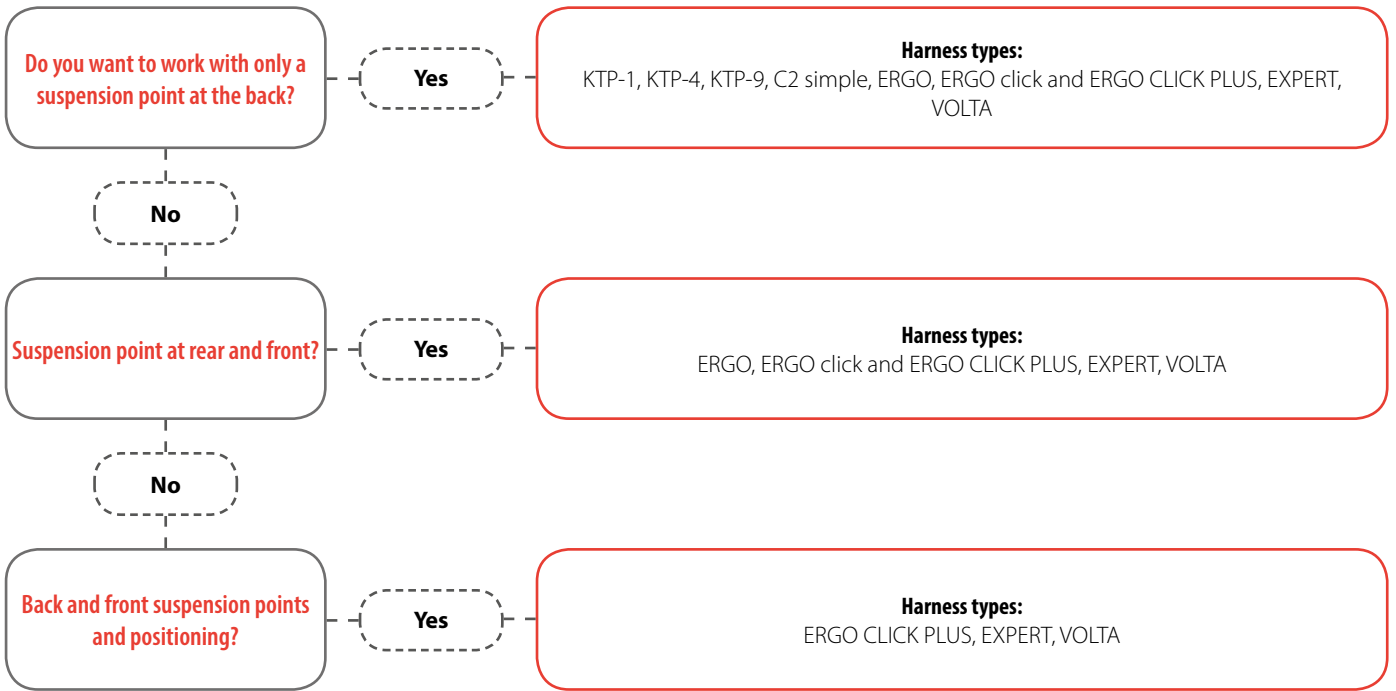
Application with risk of falling
Greater movement radius and freedom of movement needed



Hip belt with lanyard

Application with risk of falling during positioning work

Selection chart for fall protection harnesses



* **Positioning** = Working on a mast with the added possibility of putting a line round the mast and thus being able to use both hands for working. This is only allowed when there is no risk of falling or if the fall height is less than 50 cm.

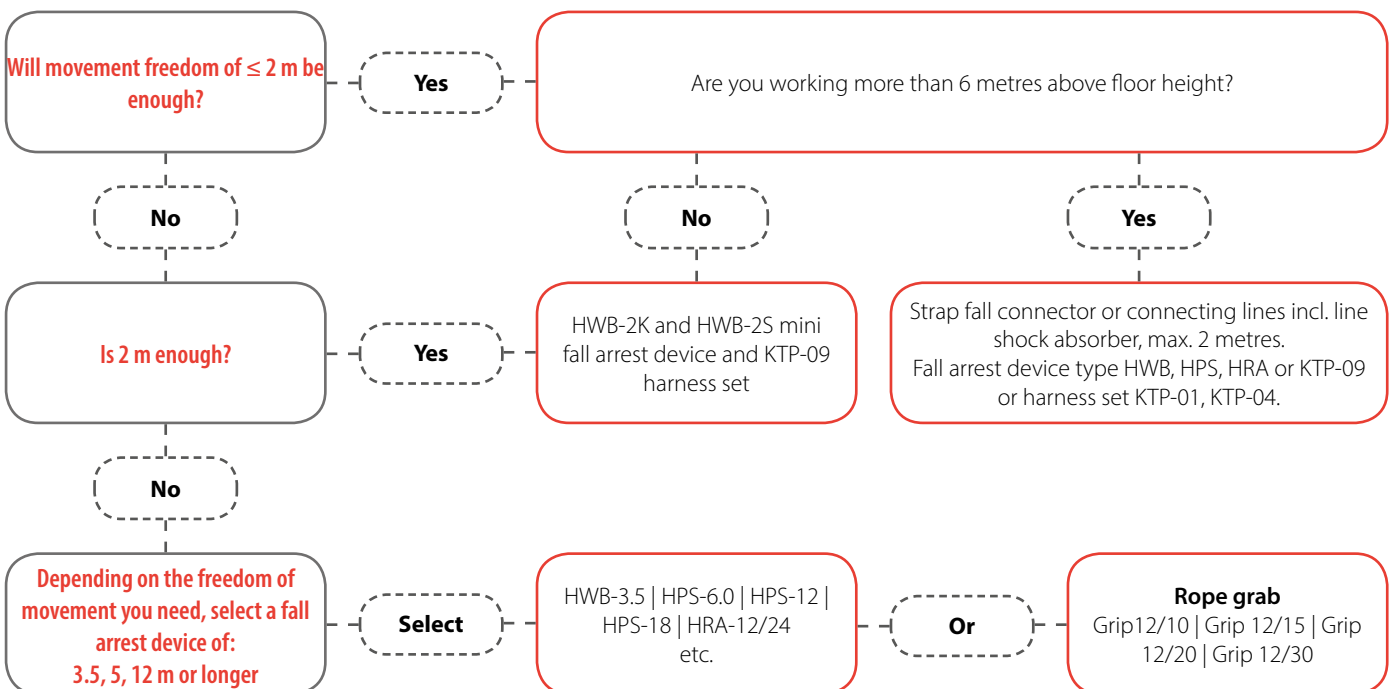
Important

Only use line shock absorber or strap connector at a minimum free fall distance of 6 metres measured from the attachment point.

Information

With rope grab, the end of the working line must be tied on securely or be provided with a weight; this assists its operation.

Selection chart for fall arrest devices and connection lines



Harness ERGO, Grip 12 and 15 meter lanyard in backpack


Consisting of:

- Harness ERGO (Article-No 1730032)
- GRIP-12 retaining clamp with 15 meter rope (Article-No 1761115)
- Backpack (Article-No 1731643)

Norm:

- EN 361, EN 355, EN 353-2, EN 360

Type
ProductId

COMPL. ERGO/GRIP12 IN BACKPACK-15MTR

1731210

Harness C2 Simple, EH20/OV with small hook and backpack


Consisting of:

- Harness C2 SIMPLE (Article-No 1730021)
- Fall demper (Article-No 1730250)
- Backpack (Article-No 1731643)

Norm:

- EN 361, EN 355, EN 353-2, EN 360

Type
ProductId

COMPL. C2 Simple + EH20/OV + BACKPACK

1731222

Harness C2 Simple, HWB-3.5 fall arrest in steel case


Consisting of:

- Harness C2 SIMPLE (Article-No 1730021)
- Fall arrester HWB-3.5 (Article-No 1790101)
- Steel suitcase (Article-No 1731608)

Norm:

- EN 361, EN 355, EN 353-2, EN 360

Type
ProductId

COMPL. C2 Simple + HWB-3,5 in steel case

1731230

Harness ERGO, HPS-12 fall arrest in steel case


Consisting of:

- Harness ERGO (Article-No 1730032)
- Fall arrester HPS-12 (Article-No 1790205)
- Steel suitcase (Article-No 1731608)

Norm:

- EN 361, EN 355, EN 353-2, EN 360

Type
ProductId

COMPL. Fall arrest set in steel case

1731240

REMA KTP-01 harness 3 in 1



The Rema KTP-IZI is a carrier bag, harness and connecting rope integrated in one unit. Open the bag and turn it inside out; your harness will appear and you can step into it, using the bag as rear and with the attached line within reach at the front.

Properties

- Carrier bag.
- Harness with connecting band and integrated fall damper band.

Norm:

- EN 361, EN 355.

Type	Length max. (m)	ProductId
KTP-01	6	1740001

REMA KTP-04 harness 3 in 1



The Rema KTP-IZI is a carrier bag, harness and connecting rope integrated in one unit. Open the bag and turn it inside out; your harness will appear and you can step into it, using the bag as rear and with the attached line within reach at the front.

Properties

- Carrier bag.
- Harness with elastic lanyard with integrated fall damper provided with scaffolding hook.

Norm:

- EN 361, EN 360.

Type	Length max. (m)	ProductId
KTP-04	2	1740004

REMA KTP-09 harness 3 in 1



The Rema KTP-IZI is a carrier bag, harness and connecting rope integrated in one unit. Open the bag and turn it inside out; your harness will appear and you can step into it, using the bag as rear and with the attached line within reach at the front.

Properties

- Carrier bag.
- Harness with HWB-2,0 mini fall arrest device provided with scaffolding hook.

Norm:

- EN 361, EN 360, EN 363

Type	Length max. (m)	ProductId
KTP-09	2	1740009

Harness C2 SIMPLE (EN-361)



Properties:

- 1 suspension eye at the backside.
- Webbing width; 45 mm.
- Adjustable and easily-opening thigh loops.
- Max. load 100 kg.

Application

- This harness is easy to apply to roofers, carpenters, plumbers, steel construction workers.

Norm:

- EN 361

Type	Size	ProductId
PERFEKT ECO	Universal	1730021

Harness ERGO (EN 361)



Properties

- 2 polyester catching eyes at the front always use together.
- 1 steel D-ring at the rear.
- Webbing width 45 mm.
- Infinitely adjustable and equipped with handy plastic snap buckle.
- Adjustable and easy to open leg loops.
- Maximum load harness 130 kg.
- Universal.

Application

- Roofers, carpenters, plumbers, steel construction workers.

Norm:

- EN 361

Type	Size	ProductId
PSA Ergo SSS	Universal	1730032

Harness ERGO Click (EN 361)



Properties

- Quick to put on as a jacket.
- 2 polyester catching eyes at the front always use together.
- 1 D-ring collection eye at the rear.
- Webbing width 45 mm.
- Infinitely adjustable and equipped with handy plastic snap buckle.
- Adjustable leg loops.
- Leg loops with steel click system, for easy opening.
- Maximum load harness 130 kg.
- Universal.

Application

- For roofers, carpenters, plumbers, steel construction workers.

Norm:

- EN 361

Type	Size	ProductId
PSA Ergo click SSS	Universal	1730090

Harness ERGO Click plus (EN 361)



Properties

- Quick to put on as a jacket.
- 2 polyester catching eyes at the front always use together.
- 1 steel D-ring collection eye at the rear.
- Integrated hip belt with 2 positioning eyes.
- Infinitely adjustable by means of clamp buckles.
- Hip belt is upholstered for optimal support.
- Continuous supporting chest strap.
- Easy to open leg loops by means of quick click system.
- Good wearing comfort.
- Webbing width 45 mm.
- Maximum load harness 130 kg.
- Universal.

Application

- In activities where the presence of double connecting means is an advantage, such as in steel construction and industry.

Norm:

- EN 358, EN 361

Type	Size	ProductId
PSA Ergo click plus SSS	Universal	1730100

Harness EXPERT (EN 361 / EN 813)



Properties

- 1 polyester collection eye at the front.
- 1 Steel D-ring collection eye at the rear.
- 2 aluminum positioning eyes on the integrated lap belt.
- Screw carabiner on the front to open and close the harness.
- 1 steel D-ring position eye on the front seat belt.
- Infinitely adjustable by means of quick adjustment buckles.
- Adjustable and easy to open leg loops.
- Hip belt and leg loops are lined for optimal support.
- Tool rings on the integrated lap belt, maximum load 10 kg per ring.
- Maximum load harness 130 kg.
- Webbing width 45 mm.

Application

- With combined standing and hanging work such as when working on transmitting and high voltage masts.

Norm:

- EN-361, EN 813

Type	Leg size (cm)	Waist (cm)	ProductId
EXPERT 1	52-78	80-140	1730070
EXPERT 2	52-83	80-150	1730071

Harness VOLTA (EN 361 / EN 813)



Properties

- 1 polyester collection eye at the front.
- 1 Steel D-ring collection eye at the rear.
- 2 aluminum positioning eyes on the integrated lap belt.
- Screw carabiner on the front to open and close the harness.
- 1 steel D-ring position eye on the front seat belt.
- Infinitely adjustable by means of quick adjustment buckles.
- Adjustable and easy to open leg loops.
- Hip belt and leg loops are lined for optimal support.
- Tools eyes on the integrated lap belt, maximum load 10 kg per eye.
- 2 plastic eyes at the rear hip belt for materials, maximum load 2 kg.
- Maximum load harness 130 kg.
- Webbing width 45 mm.

Application

- For work on high voltage masts.

Norm:

- EN 358, EN 361, EN 813

Type	Leg size (cm)	Waist (cm)	ProductId
VOLTA 1	52-78	80-140	1730080
VOLTA 2	52-88	80-150	1730081

BELT CLICK hip belt for positioning (EN 358)



Properties

- 2 positioning eyes.
- Back support.
- Infinitely adjustable by means of ERGO click system.
- Band width 45 mm.
- Maximum load belt 130 kg.

Application

- Only with standing positioning work.

IMPORTANT!

- Not suitable as a catching belt

Norm:

- EN 358.

Type	Waist (cm)	ProductId
BELT CLICK 1	85 - 110	1730006
BELT CLICK 2	110 - 140	1730007

GRANIT Light retaining straps (EN-361/EN-1497)



Properties

- 2 aluminum rings on the front, always use together.
- Integrated seating area.
- Infinitely adjustable by means of clamp buckles.
- The belt is closed automatically (excl.) By hooking a carabiner into 2 attachment eyes.
- Webbing width 45 mm.
- Maximum load harness 130kg.
- Universal.

Application

- For work that requires a longer time in the belt.
- In silos, crane cabins, salvage work at height, etc.

Norm:

- EN 361, EN 1497.

Type	Size	ProductId
PERFEKT PROFI 10	Universal	1730012

Salvage belt (EN 1498)



Suitable for rescuing people.

Properties

- 1 central suspension point at the front 45 mm.
- Webbing material combined with tear-resistant polyester fabric.
- Various storage options, depending on body size.
- 2 rubber shoulder straps.
- Maximum load belt 150 kg.
- Universal.

Application

- For salvaging people.

Norm:

- EN 1498 Klasse B.

Type

Salvage belt

Size

Universal

ProductId

1730061

FallSorb i-bungy with small hook EH21/Croc25



Properties

- Total length 1,85 meter.
- Sling width 25 mm.
- 1 small hook 25 mm and 1 small hook 20 mm
- Maximum load 50 til 140 kg

Norm:

- EN 355, CNB/P/11.062, CNB/P/11.074

Type	Length (m)	ProductId
FallSorb i-bungy+EH21/Croc25	1,75	1730250

FallSorb i-bungy with scaffold hook



Properties

- Total length 1,85 meter.
- Sling width 25 mm.
- 1 small hook 25 mm and 1 scaffold hook 60 mm.
- Maximum load 50 til 140 kg.

Norm:

- EN 355, CNB/P/11.062, CNB/P/11.074

Type	Length (m)	ProductId
FallSorb i-bungy+EH60/Croc25	1,85	1730253

FallSorb y-bungy with 2 scaffold hooks



Properties

- Total length 1,85 meter.
- Sling width 25 mm.
- 1 small hook 25 mm and 2 scaffold hooks 60 mm.
- Maximum load 50 til 140 kg.

Norm:

- EN 355, CNB/P/11.062, CNB/P/11.074

Type	Length (m)	ProductId
FallSorb i-bungy+2 x EH60/Croc25	1,85	1730255

Webbing lanyard



Properties

- Sling width 25 mm with 1 big eye and 1 small eye.
- Can be use in combination with 1731646/652 carabiner.

Norm:

- EN 354.

Type	Length (m)	ProductId
VM BND 26/0.5	0,5	1730220
VM BND 26/1.0	1	1730222
VM BND 26/1.5	1,5	1730223
VM BND 26/1.8	1,8	1730224

Endless sling lanyard



Properties

- Sling width 26 mm endless.
- Can be use in combination with 1731646/652 carabiner.

Norm:

- EN 354.

Type	Length (m)	ProductId
BS 100	1	1730201
BS 150	1,5	1730202
BS 200	2	1730203

Fall damper strap



When damping, this band decreases the impact force to be born by the human body below 600 kg. Provided with a safety connecting triangle at one end. Compact creased and sewn polyester strap strongly packed in a PVC hose. On the influence of the sudden impact force risen during a possible fall, the seam will be undone from stitch to stitch creating a retarding effect.

Tested in compliance with EN 355.

Technical specifications

- Length max 1.5 m .
- Maximum collection distance 2.75 m.
- Length of person including shift of the harness 2.5 m.

IMPORTANT

- Free fall height must be at least 6.75 meters in combination with connecting device.

Type	Length (m)	ProductId
MAS BFD2	0,5	1730191

Safety retaining rope



Properties

- Article-No. 1730140 has 1 carabiner on one side and a loop on the other side.
- Article-No. 1730121 has 1 large and 1 small hook
- Article-No. 1730180 is adjustable by the buckle between 1.4 and 2.0 m.

Norm:

- EN 354.

Type	Length (m)	ProductId
VM-150/14	1,5	1730140
VM-200/14	1,4 - 2	1730180
KM-120/14 LM + FS90	1,2	1730121

GRIP 12 - synchronized retaining clamp with integrated shock absorber



Synchronized retaining clamp with integrated shock absorber attached inseparably to the work rope and serves as a fall stop. It displaces up and down freely except that it will block during a possible fall. Standard supply consists of: Model GRIP 12 complete with integrated shock absorber, supporting rope of 40 cm, carbine with hook and a work rope having a carbiner hook at one end and a knot at the other one.

Application

- In building industry by roofers, carpenters, façade plating etc.

Norm:

- EN 353-2.

Type	Length (m)	ProductId
GRIP 12/10	10	1761110
GRIP 12/15	15	1761115
GRIP 12/20	20	1761120
GRIP 12/30	30	1761130

12 mm Safety working rope TUTOR



Properties

- Standard delivery: at one end with a carabiner, at the other end a loop.
- TUTOR working line is recognizable by the yellow diagonal line.
- Core mantle line with low elongation.

Norm:

- EN 1891



Type	Diameter (mm)	Length (m)	ProductId
WLT-10M	12	10	1761141
WLT-15M	12	15	1761142
WLT-20M	12	20	1761143
WLT-30M	12	30	1761145
WLT-40M	12	40	1761144

12 mm Safety working rope DYNAFLEX



Properties

- Standard delivery: at one end with a carabiner, at the other end a loop.
- DYNAFLEX working line is recognizable by the Blue diagonal line.

Norm:

- EN 892



Type	Diameter (mm)	Length (m)	ProductId
WLD-10M	12	10	1761151
WLD-15M	12	15	1761152
WLD-20M	12	20	1761153
WLD-30M	12	30	1761154
WLD-40M	12	40	1761155

HWB mini fall arrester



Properties

- Lightweight aluminium housing with a webbing lifeline
- Swivel eye attachment point
- Sewn in load indicator on lifeline
- Additional testing against falls over edges
- Aluminium double action hook on end of lifeline to EN362
- Block can be attached to an anchorage point or safety harness

Norm:

- EN 1891

Type	Length (m)	Weight (kg)	ProductId
HWB - 2K	2	1.00	1790103
HWB - 2S	2	1.45	1790105
HWB - 3.5	3,5	1.60	1790101

HPS fall arrester



Properties

- Plastic housing with a steel cable lifeline
- Fixed handle anchor attachment point
- Sewn in load indicator on lifeline
- Additional testing against falls over edges
- Approved for both vertical and horizontal work
- Aluminium double action hook on end of lifeline to EN362

Norm:

- EN 1891

Type	Length (m)	Weight (kg)	ProductId
HPS - 6.0	6	3.0	1790203
HPS -12.0	12	4.6	1790205
HPS -18.0	18	6,7	1790207

ACB 1.8 fall arrester for working platforms



The ACB Device, designed for fall protection in mobile elevated working platforms is a milestone in the area of personal protection against falls. Tested and certified according to the requirements of EN 360. However, in addition to this standard, this device has been tested and certified for protection in mobile elevated working platforms to a German standard.

Properties

- Lightweight aluminium housing with a webbing lifeline
- Swivel eye attachment point
- Sewn in load indicator on lifeline
- Additional testing against falls over double edges, giving very low arrest forces
- Designed for MEWP use
- Aluminium double action hook on end of lifeline to EN362
- Block can be attached to anchorage point or safety harness

Norm:

- EN 1891

Type	Length (m)	Weight (kg)	ProductId
ACB-1.8	1.8	0,96	1790107

HRA Fall arrester with rescue winch



In the event of a possible fall, the person can be quickly and safely secured by means of the rescue winch on the fall arrest device.

Properties

- Aluminium housing, with a galvanised steel cable lifeline
- With release pin and two-way winding handle, to engage rescue/recovery mode
- Fixed handle anchor attachment point
- Attachment/connection handle or can be fitted to a davit or tripod via a bracket
- Aluminium double action hook on end of lifeline to EN362.

Type	Length (m)	Weight (kg)	ProductId
HRA-12	12	7.0	1790301
HRA -24.0	24	16.0	1790307

Aluminium tripod (excl.fall stop arrester and winch)



This aluminium tripod is an ideal way of suspension for working in silos, tanks, ditches. When combined with a fall stop apparatus fitted with a winch, it allows a controlled lowering of persons or, in an emergency, their quick pulling-up.

Properties

- Adjustable legs to eliminate ground unevenness.
- Capacity range: max 2 persons..

Application

- For work in silos, reservoirs, sewer pits, etc.

Option

- 1790500 Winch 250 kg.
- 1790511 Mounting plate winch.
- HRA Fall arrester with rescue winch.

Type	WLL (kg)	Spread position (mm)	Height (mm)	Weight (kg)	ProductId
IK2 / 1000 Alu	250	2400	2500	19.0	1790401

Rope ladder



Properties

- Consisting of 12 mm core jacket line.
- The ends are provide with plastic loops.

Type	Length (m)	ProductId
12MM-5M	5	1732310
12MM-10M	10	1732311
12MM-20M	20	1732312

End fitting



1731646



1731652



1731585



1731584

Type

ProductId

O-carabiner (20 mm)	1731646
HMS SL Carabiner (23 mm)	1731652
EH-21 Carabiner (21 mm)	1731585
EH-60 Carabiner (60 mm)	1731584

Storage



Type

Dimensions
(mm)

ProductId

Back pack small		1731643
PVC bag with Sholder belt 25L	240 x 600	1731645
Steel case	390 x 270 x 180	1731608

EAP Trolley

The EAP trolley is used as a mobile stop point for fall protection systems. the trolley can be mounted on various I-profiles.



Properties

- Rack and pinion made of aluminum.
- Suspension eye is made of high-quality steel alloy.
- Wheels are equipped with ball bearings.
- Adjustable in various widths.
- Maximum load 140 kg
- EN 795-B

Type

Opening
(mm)Weight
(kg)

ProductId

EAP TROLLEY	63.5-305	3.00	1731801
-------------	----------	------	---------

EAP Beam clamp

The EAP clamp is used as a point of contact for fall protection systems. the clamp can be mounted on various I-profiles.



Properties

- Rack and pinion made of aluminum.
- Suspension eye is made of high-quality steel alloy.
- Adjustable in various widths.
- Maximum load 140 kg
- EN 795-B

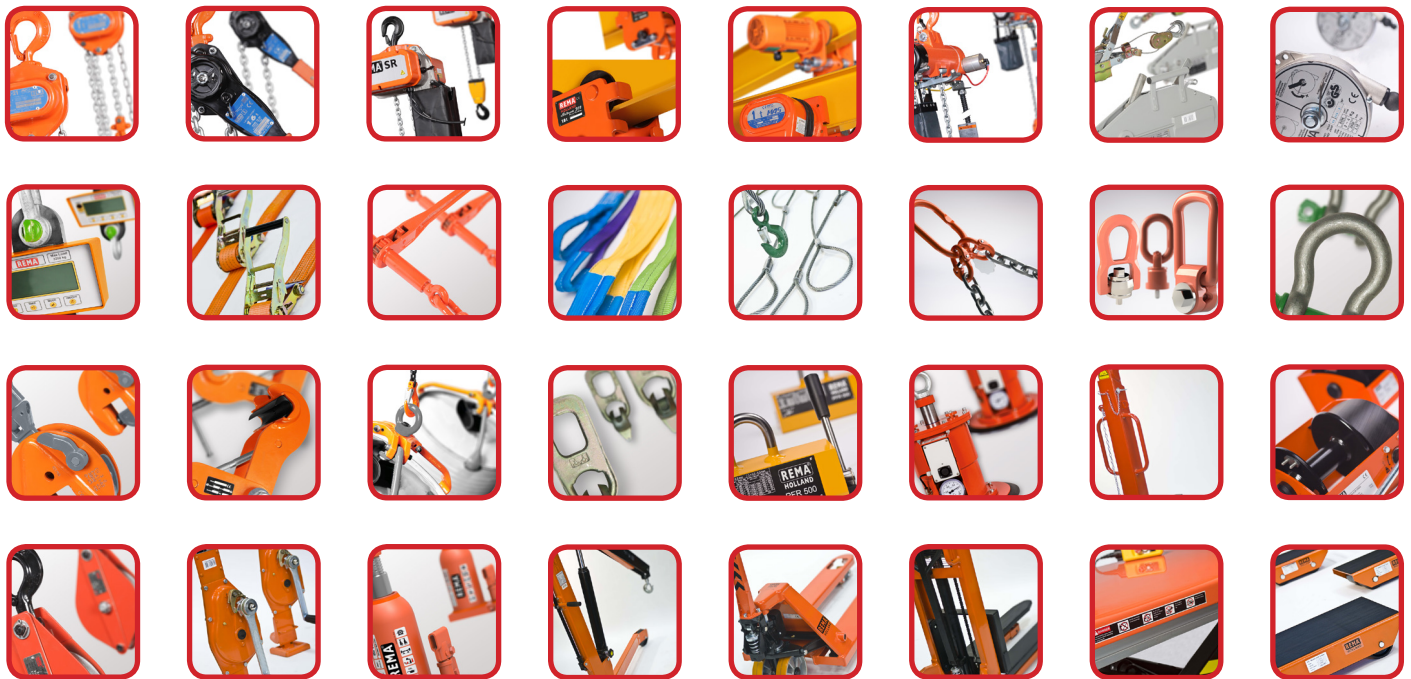
Type

Opening
(mm)Weight
(kg)

ProductId

EAP CLAMP	63.5-305	2.54	1731803
-----------	----------	------	---------

HOISTING AND LIFTING



HOISTING | LIFTING | HANDLING | SAFETY

