

# TECHNICAL DATA SHEET - Flat Panel Display Stand

## For 32" to 60" Plasma and LCD Flat Panel Screens

Perfect for conference rooms, lobbies or convention centers, the **Flat Panel Display Stand** provides a safe and secure solution for displaying digital content in public areas. Its versatile functionality and solid engineering enable you to display a single screen, two screens back to back or even four screens (requires additional accessory) in either landscape or portrait orientations. The integrated security fasteners lock the screens in place, virtually eliminating theft. Additionally, internal cord management completely hides all wires and cables giving your display a clean, professional look while eliminating the possibility of accidental tripping on or snagging of cords.

### Features:

- Fits single or back-to-back 32"-60" flat panel screens (up to four with additional dual screen cartridge)
- VESA® 100/200x100/200x200 compatible
- Supports non-VESA screens with additional PLP screen adapter plate (sold separately)
- Integrated cable management
- Hook-on design for simple installation
- Easy switching from portrait to landscape orientation
- Height adjustable on 6' columns
- Integrated security locks screen in place
- UL tested

### Accessories:

- Additional dual screen cartridge (ACC 604)

### Dimensions:

#### Weight:

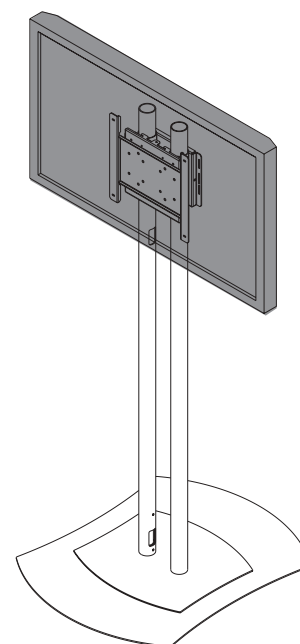
**108.2 lb (49.1 kg)**

#### Shipping weight:

**118 lb (53.5 kg)**

#### Max Load Capacity:

**200 lb (90.7 kg) per screen up to 4 screens**



### Shipping Carton dimensions:

#### BOX 1

**L= 37.25 in. (946 mm)**

**W= 30.5 in. (775 mm)**

**H= 9.375 in. (238 mm)**

#### BOX 2

**L= 72 in. (1829 mm)**

**W= 4 in. (102 mm)**

**H= 4 in. (102 mm)**

#### BOX 3

**L= 72 in. (1829 mm)**

**W= 4 in. (102 mm)**

**H= 4 in. (102 mm)**

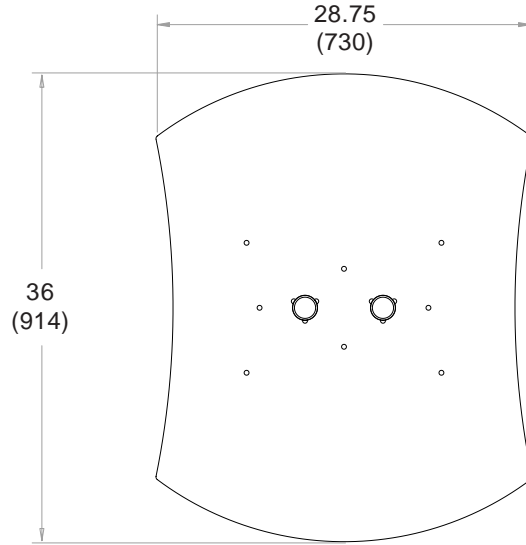
## ARCHITECTS SPECIFICATIONS

The Flat Panel Display Stand shall be a Peerless model **FPZ-600** and shall be installed where indicated on the plans. It shall be constructed of heavy gauge cold rolled steel, steel tubing and finished with scratch resistant Black Fused Epoxy. Assembly and installation shall be done according to instructions provided by the manufacturer.

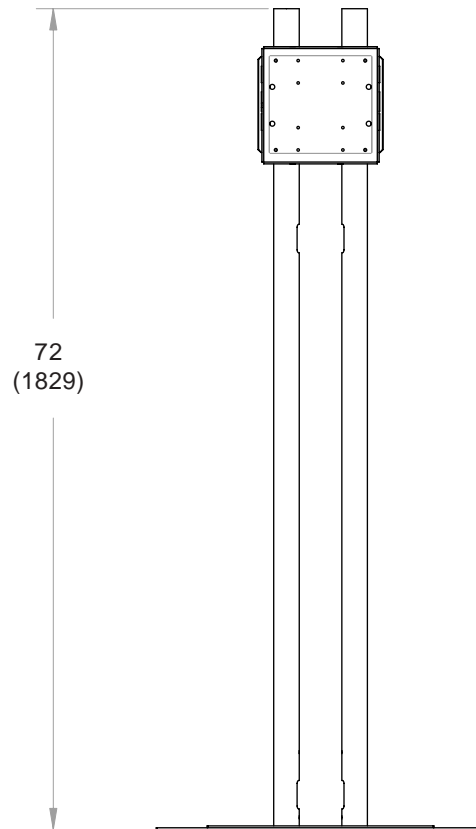
TECHNICAL DATA SHEET

MODEL: FPZ-600

ALL DIMENSION = INCH  
(MM)



**Base Detail**



**Front View**