

## TECHNICAL DATA SHEET -

## Universal Tilt Wall Mount for 61" to 102" Flat Panel Screens

**MODELS: ST680, ST680P, ST680S, ST680PS**



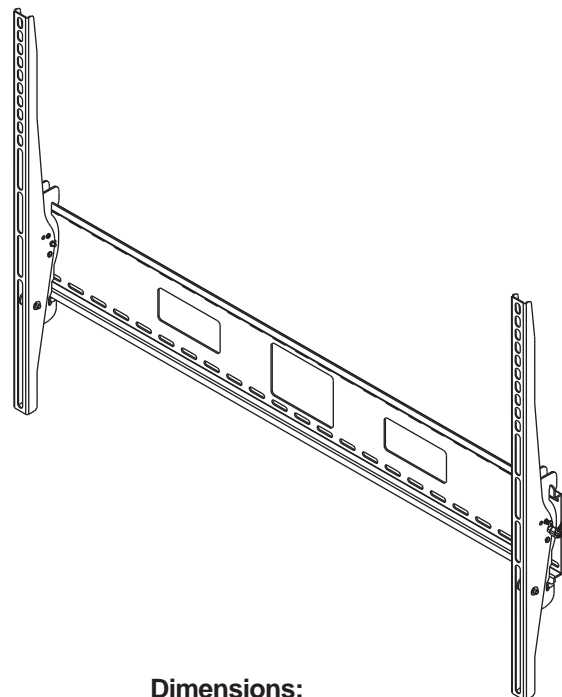
Impressive installations of large to x-large flat panel screens are made simple with the ST680. Attach the pre-tensioned universal screen adapters to the screen, mount the wall plate anywhere on the wall and attach the easy-glide screen adapters to the wall plate. The wall plate holds screens weighing up to 350 lb while featuring junction box access ports and horizontal screen adjustment up to 8" for ideal screen positioning. Its exclusive pre-tensioned screen adapter design offers one-touch tilt viewing angle adjustment, enabling putting the final touches on the installation to be increasingly fast and simple.

### Features:

- Universal mount fits screens with mounting patterns up to 44.04" W x 29.31" H
- Adjustable up to 15° of forward tilt and -5° backward tilt for optimal viewing angle
- Pre-tensioned universal tilt screen adapters allow for tilt adjustment without the use of tools
- Easy-grip lever locks the screen position into place
- Optional IncreLock™ feature offers fixed tilt angles of -5°, 0°, 5°, 10° or 15°
- Horizontal screen adjustment of up to 12" (depending on screen model) for perfect screen placement
- Universal screen adapters easily hook onto wall plate for fast installation
- Mounts to wood studs, concrete, cinder block or metal studs (metal stud accessory required)
- Comes with Peerless' Sorted-for-You™ fastener pack with all necessary mounting and screen attachment hardware
- Integrated security options available

### Accessories:

- ACC415 - Metal Stud Fastener Kit
- ACC615 - Metal Stud Fastener Kit
- SCS222 - SmartMount Component Shelf



### Dimensions:

#### **Weight:**

15.9 lb (7.22 kg)

#### **Shipping weight:**

18.2 lb (8.26 kg)

#### **Maximum Load Capacity:**

350 lb (159 kg)

#### **Shipping Carton dimensions:**

**L** = 46.75 in (1187 mm)

**W** = 8.63 in (219 mm)

**H** = 3.88 in (99 mm)

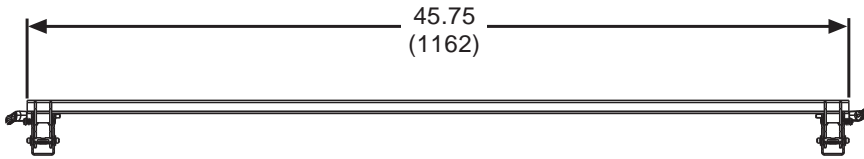
### ARCHITECTS SPECIFICATIONS

The Smartmount® Universal Tilt Wall Mount shall be Peerless models \_\_\_\_\_ and shall be located where indicated on the plans. It shall feature adjustable 15° of forward tilt and -5° backward tilt. It shall be constructed of heavy gauge cold rolled steel and finished with scratch resistant Black or Silver Fused Epoxy. Assembly and installation shall be done according to instructions provided by the manufacturer.

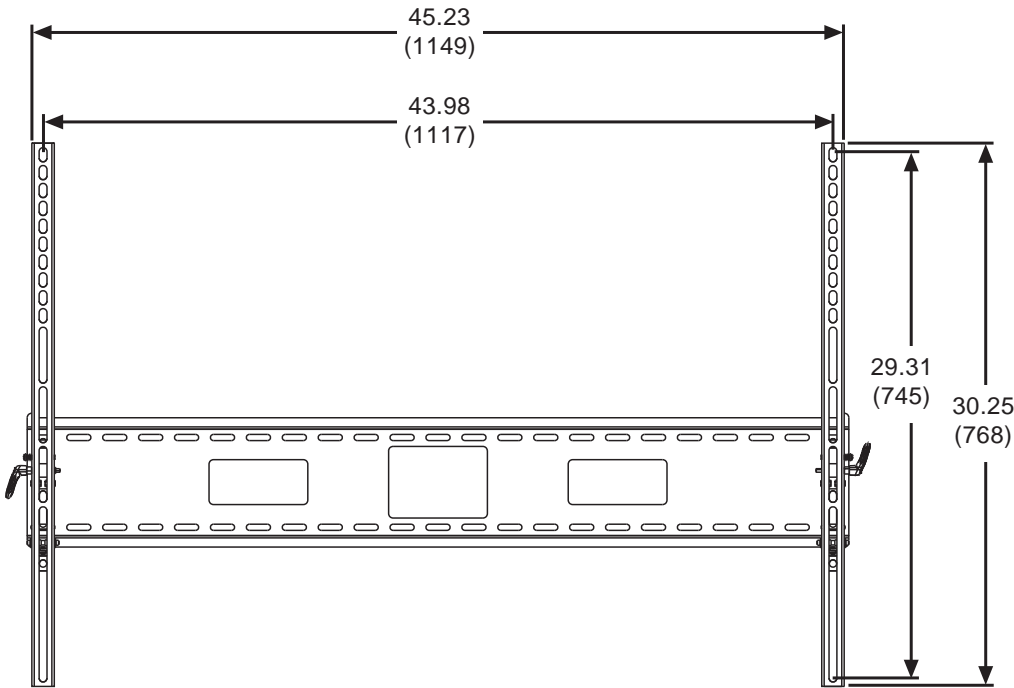
TECHNICAL DATA SHEET

MODELS: ST680, ST680P, ST680-S, ST680P-S

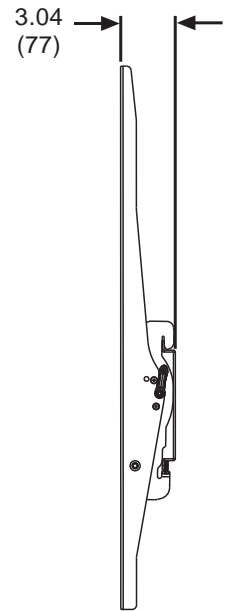
All dimensions = inch (mm)



Top View



Front View

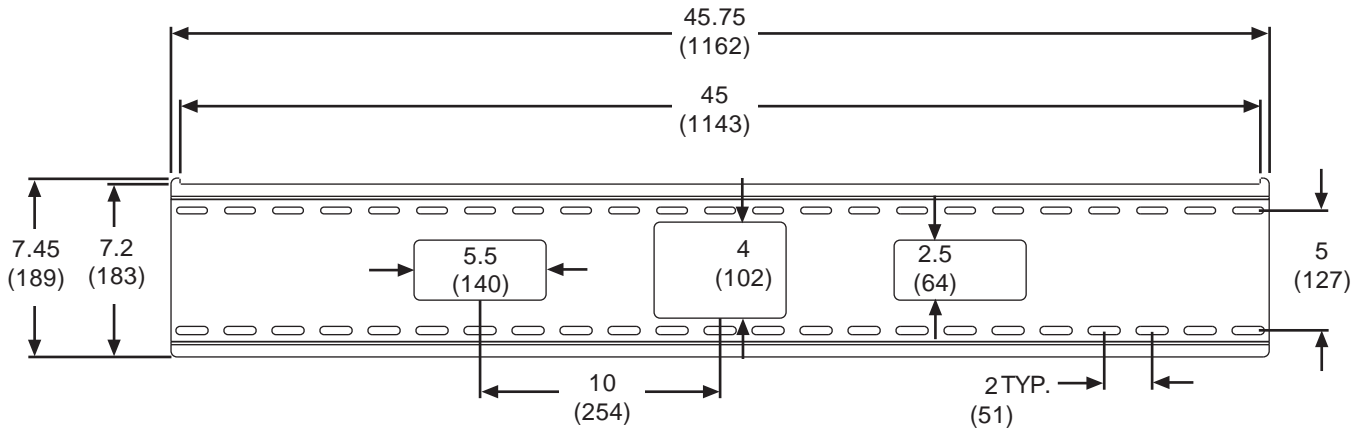


Side View

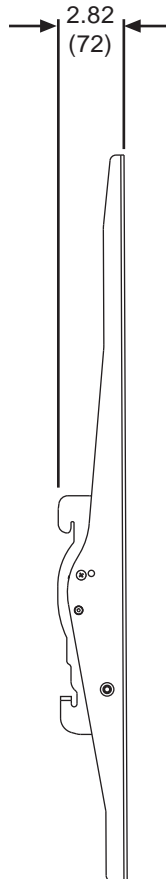
TECHNICAL DATA SHEET

MODELS: ST680, ST680P, ST680-S, ST680P-S

All dimensions = inch (mm)



Wall Plate Detail



Adapter Bracket Detail