

TECHNICAL DATA SHEET -**Universal Tilt Wall Mount for 10" - 37" Screens****MODELS: ST632, ST632-S, ST632P, ST632P-S**

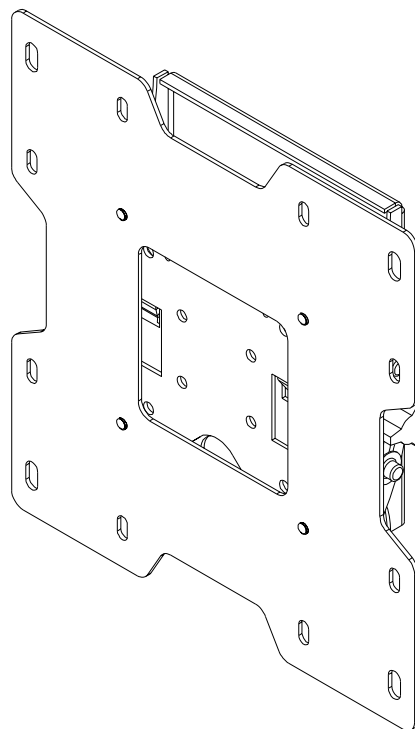
The Smartmount Universal Tilt Wall Mount supports virtually any 10" to 37" flat panel. The ultra-slim wall plate keeps the screen close to the wall for a very discreet installation that is perfect for digital signage, POS stations, or office applications. Featuring one-touch tilt, the Smartmount allows the screen to be tilted +15/-5 degrees without the use of tools. For a quick and easy installation it may be mounted to a single wood stud or concrete. Mounts to metal stud using accessory metal stud fasteners. Compatible with VESA 75 mm and 100 mm, 200 mm mounting patterns, as well as 200 mm x 200 mm mounting hole pattern.

Features:

- Colors: silver or black
- Universal mount fits virtually any 10" to 37" flat panel screen
- Screen adapter plates included compatible with VESA 75 mm, 100 mm, and 200 mm mounting patterns, as well as 200 mm x 200 mm mounting hole pattern
- One-touch tilt allows tilt adjustment of +15/-5 degrees without the use of tools
- Desired tilt angle can be locked in place if needed
- Screen adapter plate simply hooks onto the wall plate for quick and easy installation
- Includes hardware for installation to wood studs, concrete, and cinder block

Accessories:

- Metal Stud Fastener Kit (ACC 215)
- Video Conferencing Shelf (ACC 309)
- Accessory Shelves (PM 600, PM 610)

**Dimensions:****Weight:**

3.5 lb (1.6 kg)

Shipping weight:

4.4 lb (2 kg)

Maximum Load Capacity:

115 lb (52.2 kg)

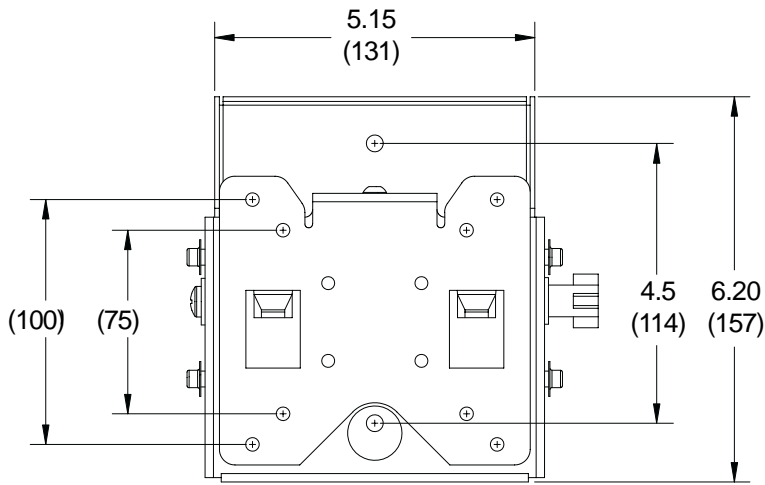
Shipping Carton dimensions:**L** = 12.75 in (324 mm)**W** = 9.5 in (241 mm)**H** = 2.5 in (64 mm)**ARCHITECTS SPECIFICATIONS**

The Smartmount shall be Peerless model **ST632**, **ST632-S** **ST632P** or **ST632P-S** and shall be located where indicated on the plans. It shall feature adjustable 15° of forward tilt and 5° backward tilt. It shall feature a screen adapter plate compatible with VESA 75 mm, 100 mm, and 200 mm mounting patterns, as well as 200 mm x 200 mm mounting hole pattern. Assembly and installation shall be done according to instructions provided by the manufacturer.

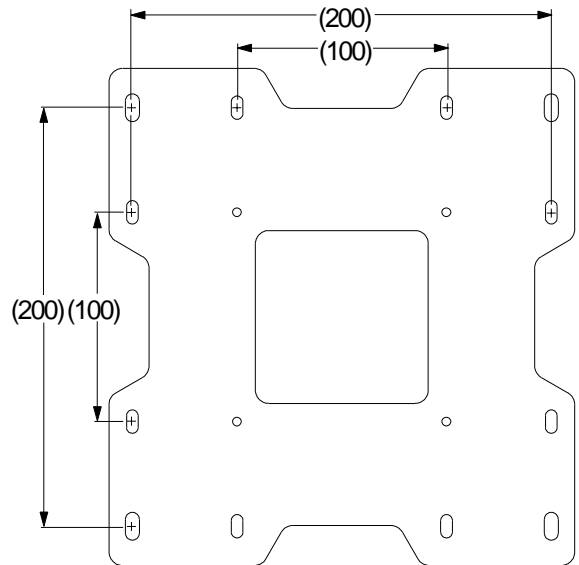
TECHNICAL DATA SHEET

MODELS: ST632, ST632-S, ST632P, ST632P-S

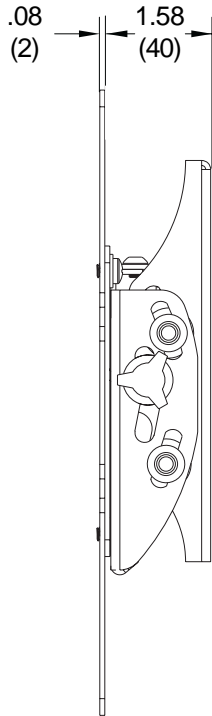
All dimensions = inch (mm)



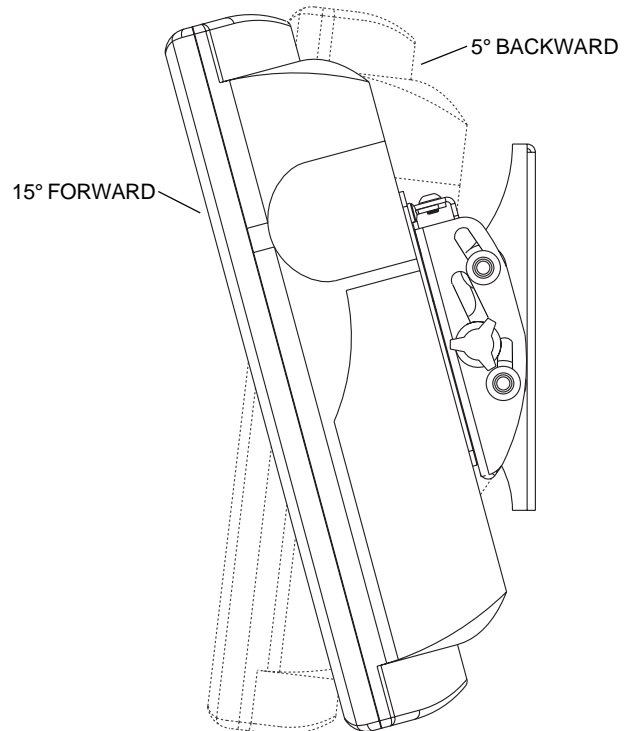
Front View



Adapter Plate Detail



Side View



Side View