

TECHNICAL DATA SHEET -

SmartMount™ Pivot Wall Arm for LCD Screens

MODELS: SP740P, SP740P-S



The SmartMount Pivot Wall Arm is ideal for obtaining side-to-side rotation and upward/downward tilt. It supports 22" to 40" LCD screens. Its anodized aluminum finish elegantly complements offices, conference rooms, merchandising displays, hotel rooms or any room in the home. Smooth, continuous tilt and roll features allow the user to easily adjust the screen to the desired position for comfortable viewing. Ships pre-assembled for fast and easy installation.

Features:

- Compatible with screens that have VESA 100 mm / 200 mm / 200 mm x 200 mm mounting hole patterns
- Pre-assembled for fast and easy installation
- Non-VESA screen adapter plates also available (sold separately)
- Fits 22" to 40" LCD screens
- Arm extends from wall up to 10" or folds flat to save space
- Two tensionable pivot points for extensive adjustment of viewing angle
- Anodized aluminum finish in black or silver
- 20° of smooth, continuous, one-touch tilt (5° up, 15° down)
- Adjustable roll of 7° in either direction allows screen to be easily leveled
- Includes hardware for installation to a single wood stud or concrete
- UL tested to four times stated weight load

Accessories:

- Metal stud wall plate - WSP 490

Dimensions:

Weight:

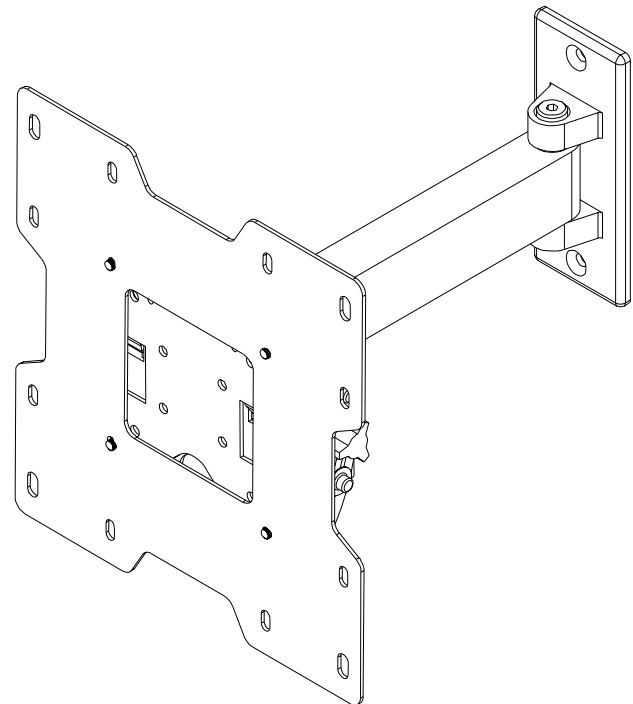
4.9 lb (2.2 kg)

Shipping weight:

5.5 lb (2.5 kg)

Maximum Load Capacity:

80.0 lb (36.3 kg)



Shipping Carton dimensions:

L = 12.25 in (311 mm)

W = 9.625 in (244 mm)

H = 4 in (102 mm)

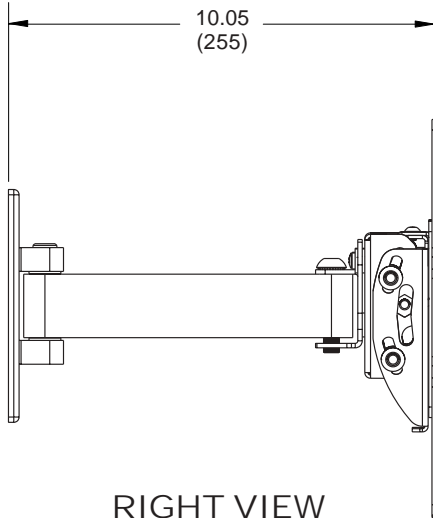
ARCHITECTS SPECIFICATIONS

The SmartMount Pivot Wall Arm shall be a Peerless model _____ and shall be located where indicated on the plans. Assembly and installation shall be done according to instructions provided by the manufacturer. Mount is made of anodized aluminum and adapter bracket is made of steel with a scratch resistant epoxy black or silver finish.

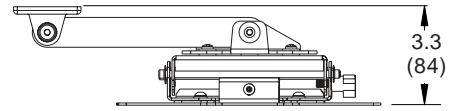
TECHNICAL DATA SHEET

MODELS: SP740P, SP740P-S

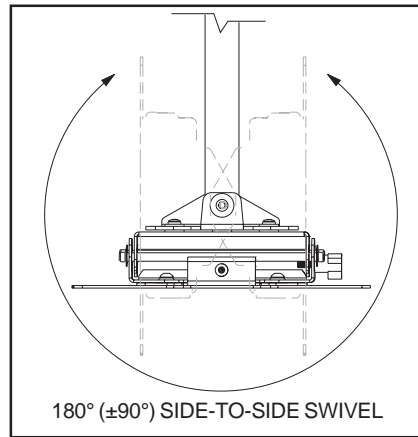
ALL DIMENSIONS = INCH (MM)



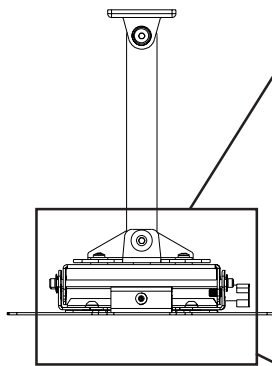
RIGHT VIEW



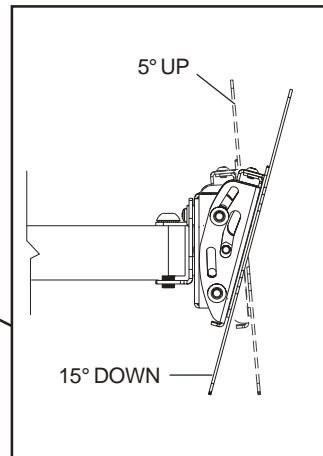
TOP VIEW



TOP VIEW



TOP VIEW

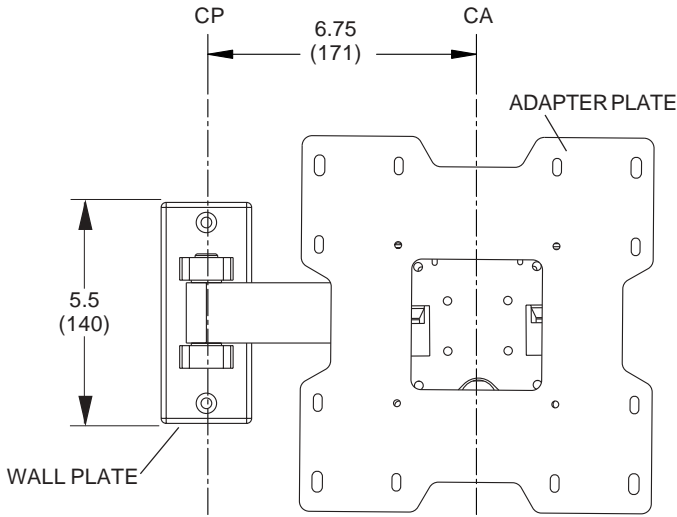


SIDE VIEW

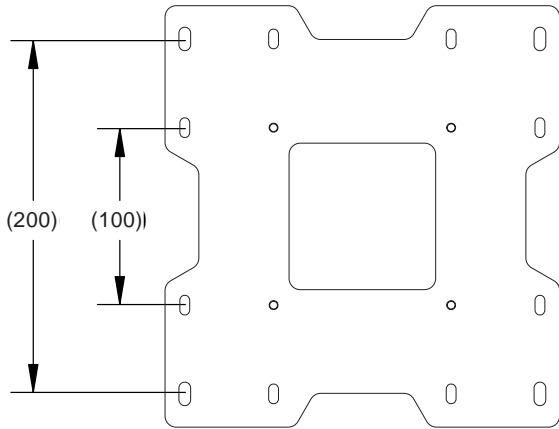
TECHNICAL DATA SHEET

MODELS: SP740P, SP740P-S

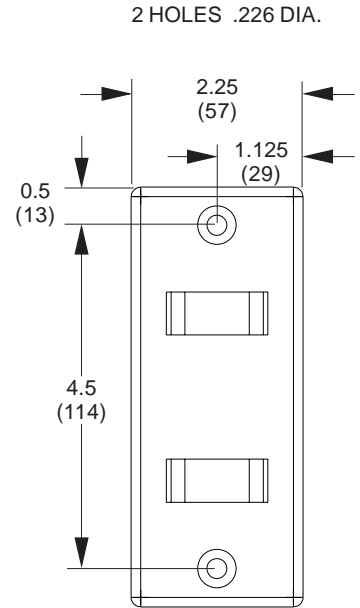
ALL DIMENSIONS = INCH (MM)



FRONT VIEW



ADAPTER PLATE DETAIL



WALL PLATE DETAIL