

TECHNICAL DATA SHEET - Straight Column Flat Panel Ceiling Mount for 32" to 50" LCD And Flat Panel Screens

MODEL: PLCM UNL CP



This product is intended for use with UL Listed products and must be installed by a qualified professional installer.

The Straight Column Ceiling Mount offers a straight column from the ceiling attachment point to the flat panel screen. The straight column ceiling mount is ideal for sports facilities, airports, lobbies or retail environments.

Features:

- Includes a PLP-UNL adapter plate (landscape only)
- Includes structural ceiling plate and universal screen adapter plate
- 0° to 20° adjustable tilt and 360° swivel
- Screen mounts horizontally
- Uses standard 1 1/2" – 11.5 NPT schedule 40 pipe
- Additional length can be added for lowering
- Theft-resistant security fasteners secure the screen to the mount
- Ceiling plate included
- Complete detailed installation instructions for wood and concrete structures

Accessories:

- Other ceiling accessories can be ordered separately to allow mounting to I-beams, cathedral ceilings, trusses, etc.

Dimensions:

Weight:

28.65 lb (13 kg)

Shipping weight:

33.3 lb (15.1 kg)

Maximum Load Capacity:

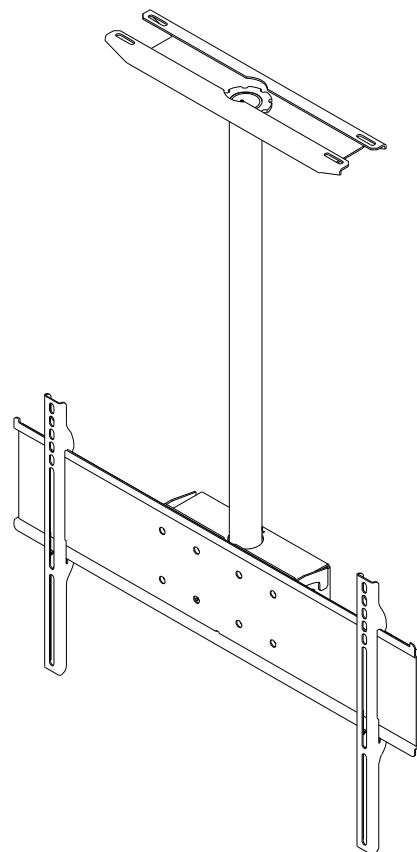
200 lb (90.7 kg)

Shipping Carton dimensions:

L = 38.0625" (967 mm)

W = 12" (305 mm)

H = 8.125" (206 mm)



ARCHITECTS SPECIFICATIONS

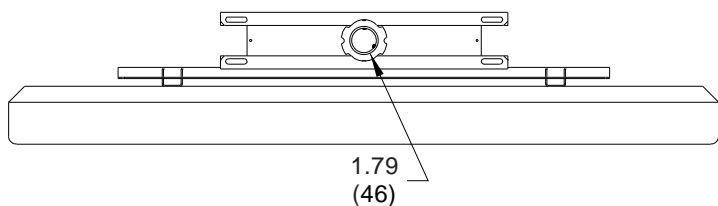
The Straight Column Flat Panel Ceiling Mount shall be a Peerless model **PLCM UNL CP** and shall be mounted where indicated on the plans. It shall be constructed of heavy gauge cold rolled steel, steel tubing and finished with scratch resistant Black Fused Epoxy. It shall feature 360° swivel and 0° to 20° range of tilt. Assembly and installation shall be done according to instructions provided by the manufacturer.

TECHNICAL DATA SHEET

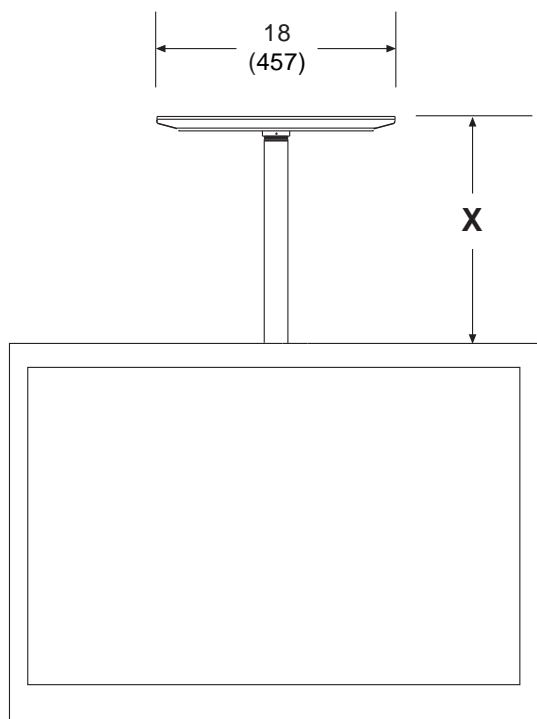
MODEL: PLCM UNL CP

ALL DIMENSION = INCH (UNLESS OTHERWISE SPECIFIED)
(MM)

A = 35.2" (894 mm) when used with 33" (838 mm) extension column
Landscape: X = A - (1/2 (height of screen)) - 2.68" (68 mm)

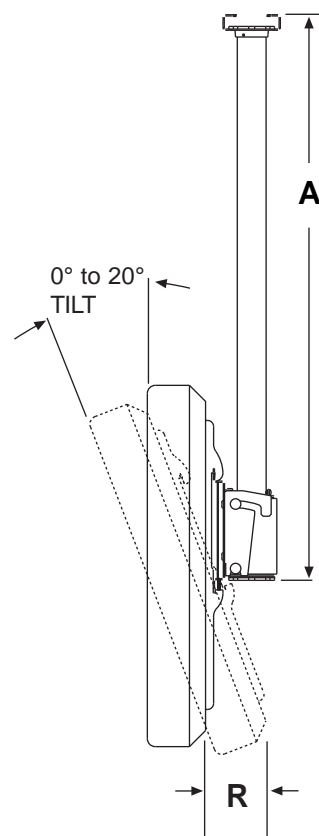


TOP VIEW



Landscape: X = A - (1/2 (height of screen)) - 2.68" (68 mm)

FRONT VIEW



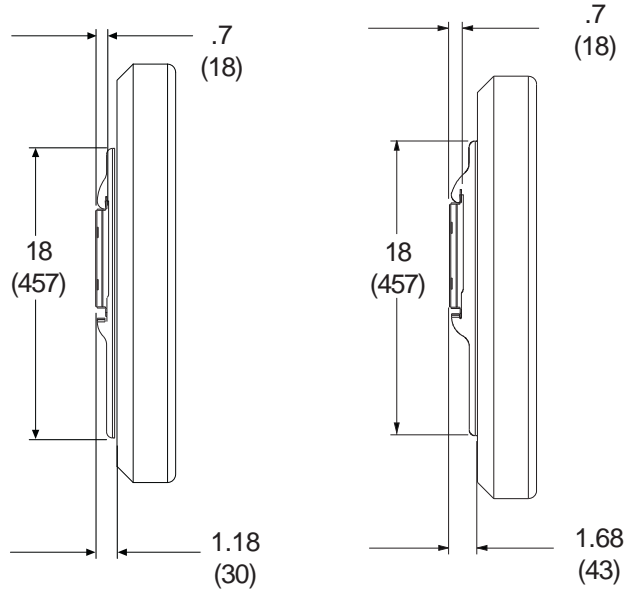
SIDE VIEW

RANGE	
R	3.75 TO 5.25 (95) (133)

TECHNICAL DATA SHEET

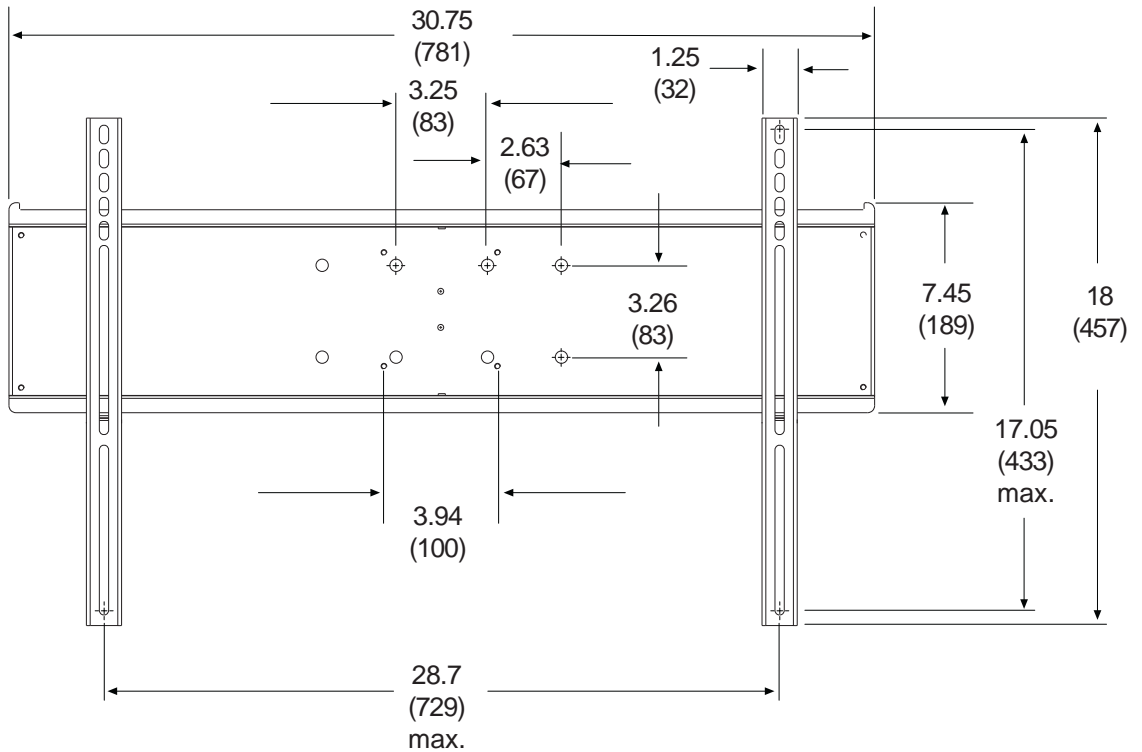
MODEL: PLCM UNL CP

ALL DIMENSION = INCH
(MM)



**SIDE VIEW
WITH SHALLOW
BRACKET**

**SIDE VIEW
WITH DEEP
BRACKET**



ADAPTER BRACKET DETAIL