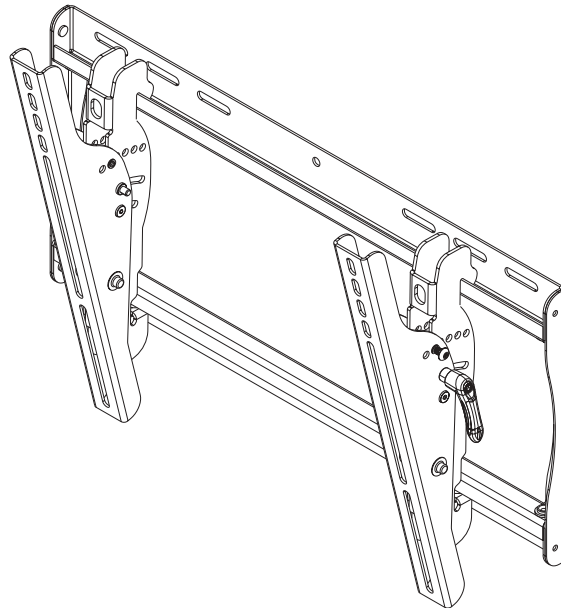


Installation and Assembly: Smartmount® Universal Tilt Wall Mount for 23" to 46"* LCD Flat Panel Screens

Models: D-FPT-220, D-FPT-220S, ST640, ST640-S, ST640P, ST640P-S,
RTFPT-220, RTFPT-220I, RTFPT-220S, RTFPT-220SI



This product is intended for use with UL Listed products and must be installed by a qualified professional installer.

***Note:** That most 42" and larger plasma screens may not work with this mount. Use Mount Finder to confirm compatibility

Maximum UL Load Capacity: 150 lb (68 kg)

Features:

- For 23" to 46"* flat panel screens
- Universal mount fits screens with mounting hole patterns up to 17.5" W x 12.94" H
- Screen held only 2.6" from wall for a discreet installation
- Open wall plate design allows for additional wall access, increasing electrical access and cable management options
- Universal screen mounting brackets hook onto the wall plate for quick, easy, and safe installation
- Adjustable up to 15° of forward tilt and up to -5° backward tilt
- One-touch tilt for effortless adjustment
- Pre-tensioned universal tilt bracket allows for tilt angle adjustment in one easy motion.
- Easy grip handle locks the screens tilt position into place
- Optional IncreLok feature offers fixed tilts at -5°, 0°, 5°, 10° and 15° increments
- Includes Sorted-For-You™ fastener pack for installation to wood studs, concrete and cinder block
- Optional horizontal adjustment of up to 6" (depending on screen model) for perfect screen placement
- Available in black and silver

NOTE: Read entire instruction sheet before you start installation and assembly.

⚠ WARNING

- Do not begin to install your Peerless product until you have read and understood the instructions and warnings contained in this Installation Sheet. If you have any questions regarding any of the instructions or warnings, please call Peerless customer care at 1-800-865-2112.
- This product should only be installed by someone of good mechanical aptitude, has experience with basic building construction, and fully understands these instructions.
- Make sure that the supporting surface will safely support the combined load of the equipment and all attached hardware and components.
- Never exceed the Maximum UL Load Capacity. See page one.
- If mounting to wood wall studs, make sure that mounting screws are anchored into the center of the studs. Use of an "edge to edge" stud finder is highly recommended.
- Always use an assistant or mechanical lifting equipment to safely lift and position equipment.
- Tighten screws firmly, but do not overtighten. Overtightening can damage the items, greatly reducing their holding power.
- This product was designed and intended to be mounted to the following supporting surfaces checked below with the hardware included in this product as specified in the installation sheet. To mount this product to an alternative supporting surface, contact Peerless customer care at 1-800-865-2112.
- This product was designed to be installed on the following wall construction only;

WALL CONSTRUCTION

ADDITIONAL HARDWARE REQUIRED

<input checked="" type="checkbox"/> Wood Stud	None
<input checked="" type="checkbox"/> Wood Beam	None
<input checked="" type="checkbox"/> Solid Concrete	None
<input checked="" type="checkbox"/> Cinder Block	None
<input type="checkbox"/> Metal Stud	Do not attach except with Peerless accessory kit for metal studs; Contact Customer Service for Peerless accessory kit for metal studs.
<input type="checkbox"/> Brick	Contact Customer Service
<input type="checkbox"/> Other or unsure?	Contact Customer Service

Tools Needed for Assembly

- stud finder ("edge to edge" stud finder is recommended)
- phillips screwdriver
- drill
- 1/4" bit for concrete and cinder block wall
- 1/2" bit for metal stud wall
- 5/32" bit for wood stud wall
- level

Accessories

- ACC415 - Metal Stud Fastener Kit (Metal Stud not evaluated by UL)
- SCS211- SmartMount® Component Shelf

Table of Contents

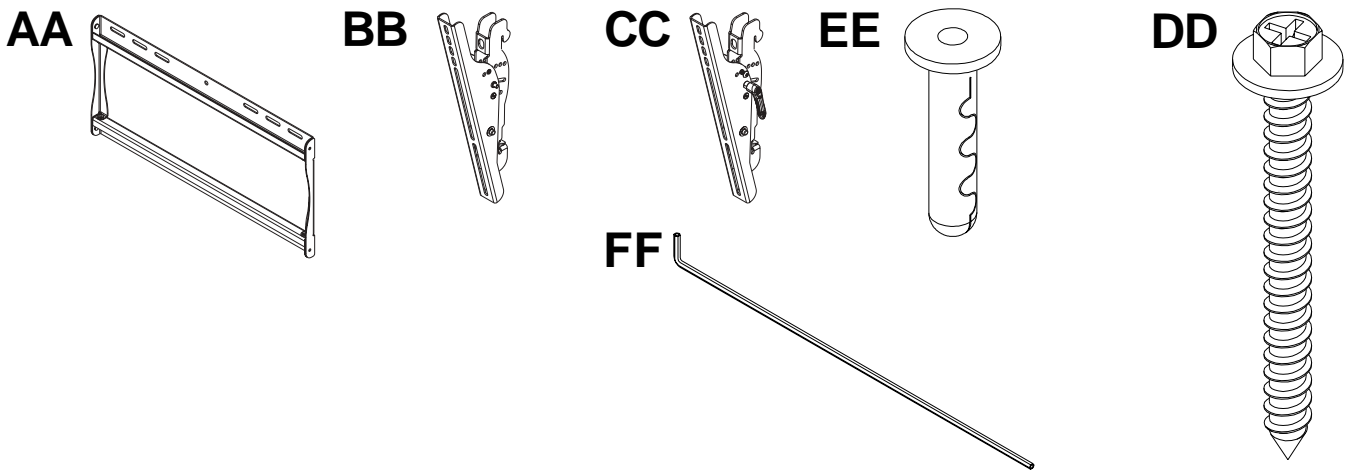
Parts List	3
Installation to Double Wood Stud Wall	5
Installation to Solid Concrete or Cinder Block	6
Installing Adapter Brackets	7
Mounting and Removing Flat Panel Screen	9

For customer care call (800) 865-2112 or (708) 865-8870.

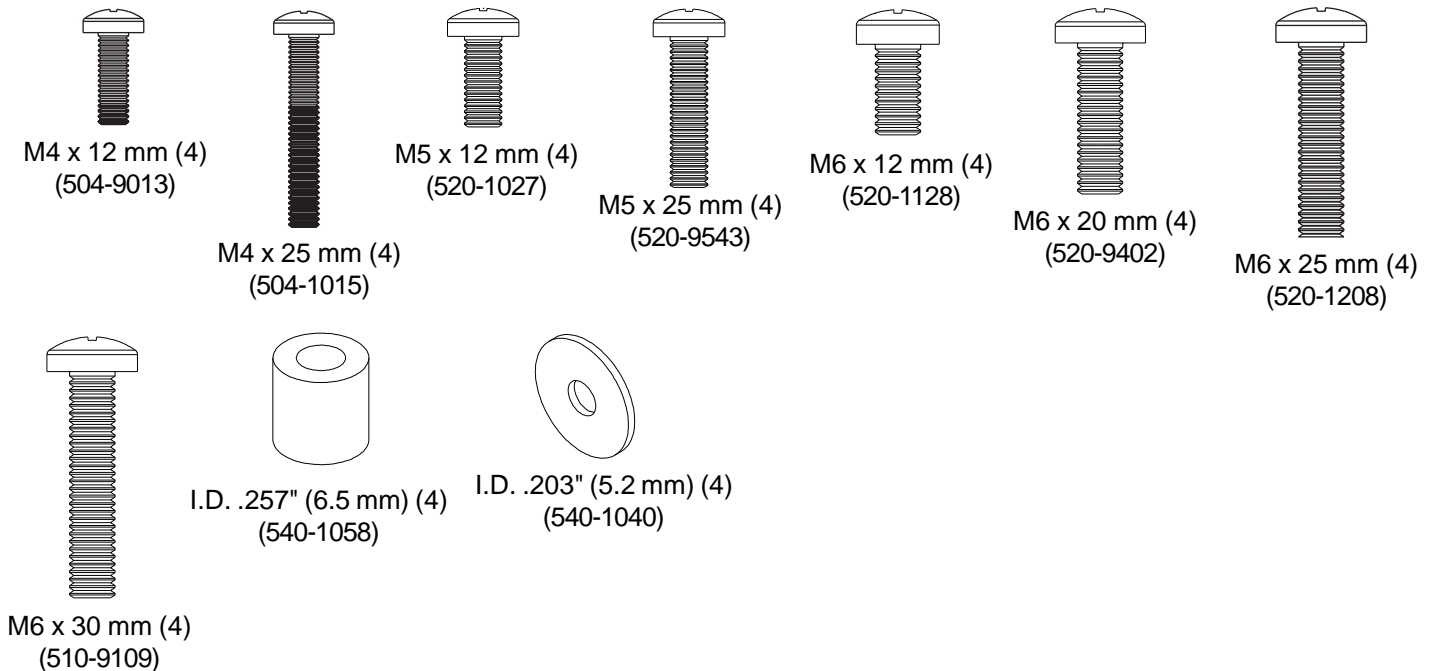
Before you begin, make sure all parts shown are included with your product.

Parts List	Qty.	Security		Non-Security	
		Black Part Number	Silver Part Number	Black Part Number	Silver Part Number
AA wall plate	1	201-1505	201-4505	201-1505	201-4505
BB right tilt bracket	1	201-1466	201-4466	201-1465	201-4465
CC left tilt bracket	1	201-1468	201-4468	201-1467	201-4467
DD #14 x 2.5 wood screw	4	5S1-015-C03	5S1-015-C03	5S1-015-C03	5S1-015-C03
EE Alligator [®] anchor	4	590-0097	590-0097	590-0097	590-0097
FF 4 mm allen wrench	1	560-1131	560-1131	(not included)	(not included)

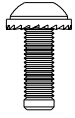
Parts may appear slightly different than illustrated.



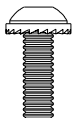
Non-Security Adapter Bracket Fasteners



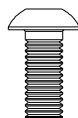
Security Adapter Bracket Fasteners



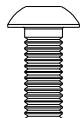
M4 x 12 mm (4)
(510-1079)



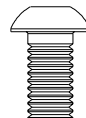
M4 x 25 mm (4)
(510-1082)



M5 x 12 mm (4)
(520-1064)



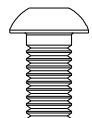
M5 x 25 mm (4)
(520-1122)



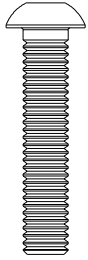
M6 x 12 mm (4)
(520-1050)



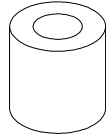
M6 x 20 mm (4)
(520-9554)



M6 x 25 mm (4)
(520-1211)



M6 x 30 mm (4)
(520-1067)



I.D. .257" (6.5 mm) (4)
(540-1058)



I.D. .203" (5.2 mm) (4)
(540-1040)

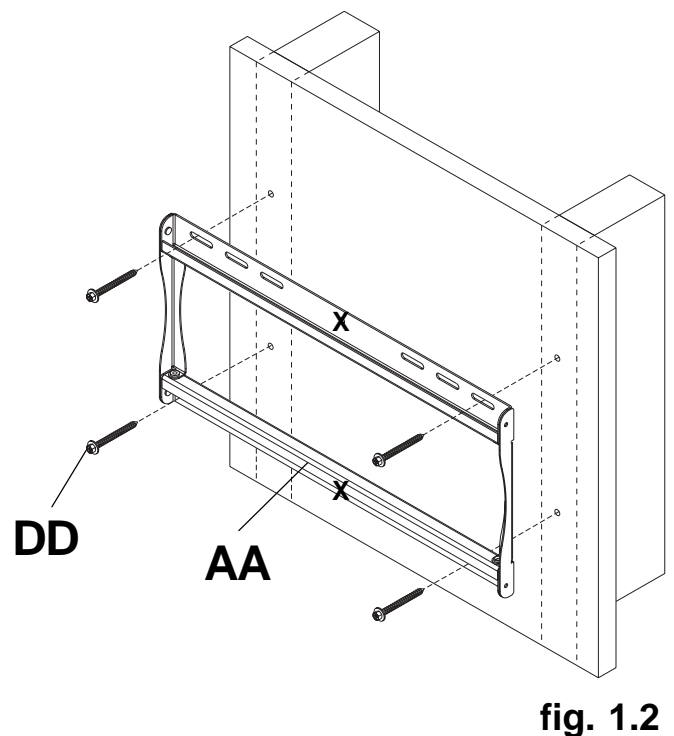
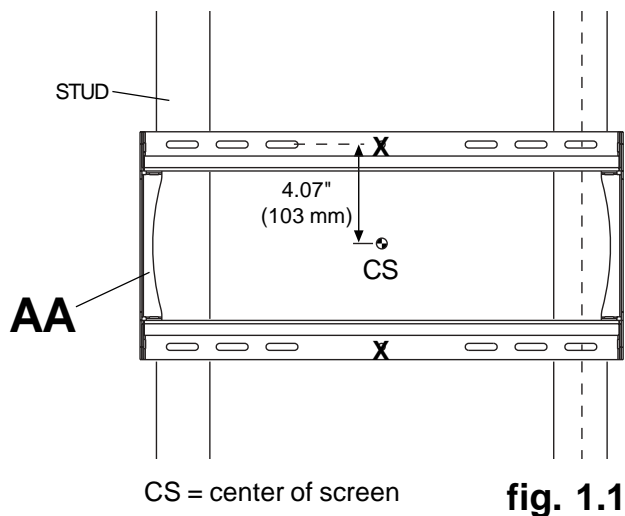
Installation to Double Wood Stud Wall

⚠ WARNING

- Installer must verify that the supporting surface will safely support the combined load of the equipment and all attached hardware and components.
- Tighten wood screws so that wall plate is firmly attached, but do not overtighten. Overtightening can damage the screws, greatly reducing their holding power.
- Never tighten in excess of 80 in. • lb (9 N.M.).
- Make sure that mounting screws are anchored into the center of the stud. The use of an "edge to edge" stud finder is highly recommended.
- Hardware provided is for attachment of mount through standard thickness drywall or plaster into wood studs. Installers are responsible to provide hardware for other types of mounting situations.

- 1 Wall plate (**AA**) can be mounted to two studs that are 16" apart. Use a stud finder to locate the edges of the studs. Use of an edge-to-edge stud finder is highly recommended. Based on their edges, draw a vertical line down each stud's center. Place wall plate on wall as a template. The top mounting slots should be located 4.07" (103 mm) above the desired screen center as shown in figure 1.1. Level plate, and mark the center of the four mounting holes. Make sure that the mounting holes are on the stud centerlines. Drill four 5/32" (4 mm) dia. holes 2-1/2" (65 mm) deep. Make sure that the wall plate is level, secure it using four #14 x 2.5" wood screws (**DD**) as shown in figure 1.2.

Skip to step 2.

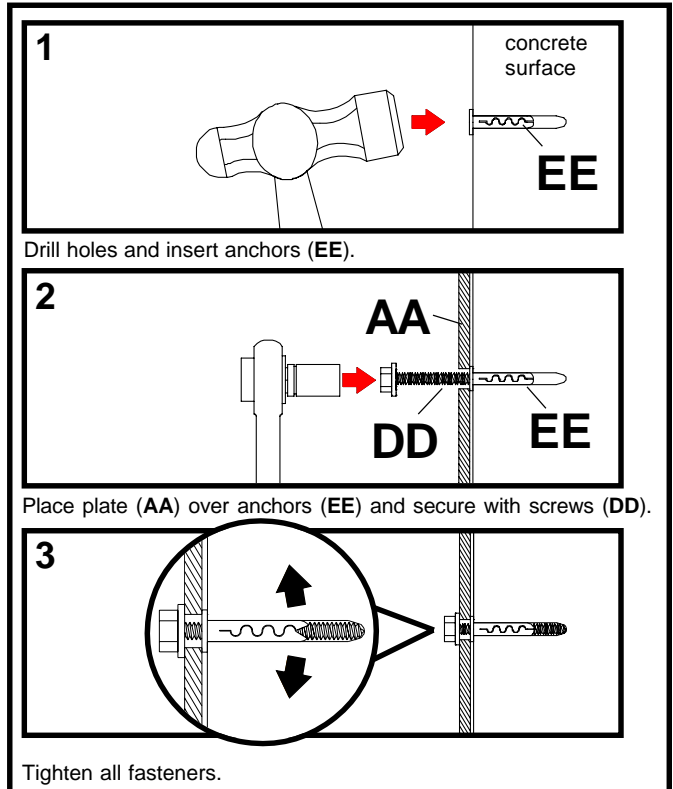


Installation to Solid Concrete or Cinder Block

⚠ WARNING

- When installing Peerless wall mounts on cinder block, verify that you have a minimum of 1-3/8" of actual concrete thickness in the hole to be used for the concrete anchors. Do not drill into mortar joints! Be sure to mount in a solid part of the block, generally 1" minimum from the side of the block. Cinder block must meet ASTM C-90 specifications. It is suggested that a standard electric drill on slow setting is used to drill the hole instead of a hammer drill to avoid breaking out the back of the hole when entering a void or cavity.
- Concrete must be 2000 psi density minimum. Lighter density concrete may not hold concrete anchor.
- Installer must verify that the supporting surface will safely support the combined load of the equipment and all attached hardware and components.

1 Make sure that wall plate (AA) is level, use it as a template to mark four mounting holes. The top mounting slots should be located 4.07" (103 mm) above the desired screen center as shown in figure 1.1 on page 5. Drill four 1/4" (6 mm) dia. holes to a minimum depth of 2.5" (64 mm). Insert anchors (EE) in holes flush with wall as shown (right). Place wall plate over anchors and secure with #14 x 2.5" screws (DD). Level, then tighten all fasteners.

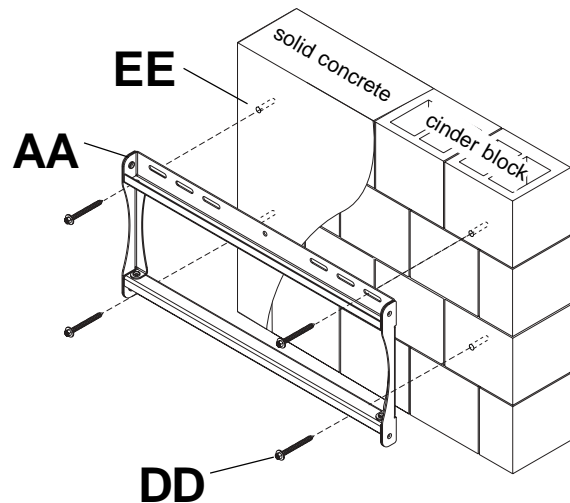
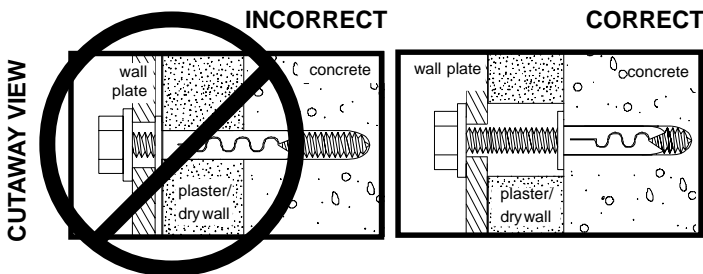


⚠ WARNING

- Tighten screws so that wall plate is firmly attached, but do not overtighten. Overtightening can damage screws, greatly reducing their holding power.
- Never tighten in excess of 80 in. • lb (9 N.M.).

⚠ WARNING

- Always attach concrete anchors directly to load-bearing concrete.
- Never attach concrete anchors to concrete covered with plaster, drywall, or other finishing material. If mounting to concrete surfaces covered with a finishing surface is unavoidable, the finishing surface must be counterbored as shown below. Be sure concrete anchors do not pull away from concrete when tightening screws. If plaster/drywall is thicker than 5/8", custom fasteners must be supplied by installer. (Not evaluated by UL)



Installing Adapter Brackets

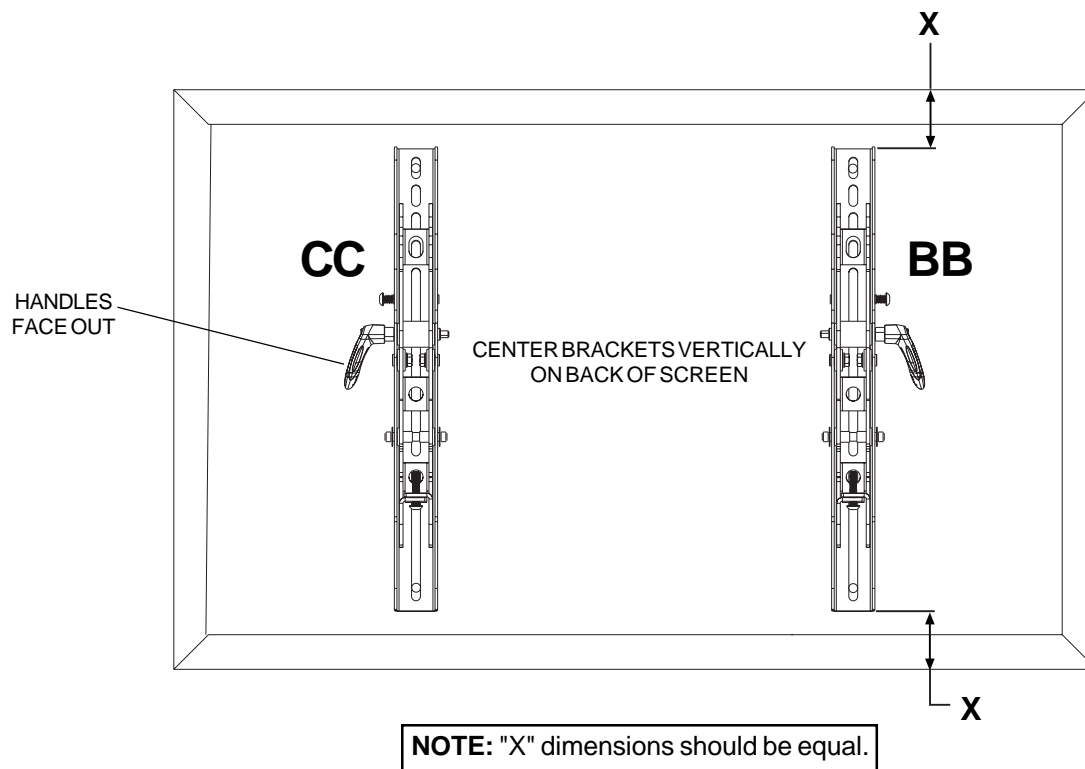
⚠ WARNING

- Tighten screws so adapter brackets are firmly attached. Do not tighten with excessive force. Overtightening can cause stress damage to screws, greatly reducing their holding power and possibly causing screw heads to become detached. Tighten to 40 in. • lb (4.5 N.M.) maximum torque.
- If screws don't get three complete turns in the screen inserts or if screws bottom out and bracket is still not tightly secured, damage may occur to screen or product may fail.

2 To prevent scratching the screen, set a cloth on a flat, level surface that will support the weight of the screen. Place screen face side down. If screen has knobs on the back, remove them to allow the adapter brackets to be attached. Place adapter brackets (**BB and CC**) on back of screen, align to holes, and center on back of screen as shown below. Attach the adapter brackets to the back of the screen using the appropriate combination of screws, washers, and spacers as shown in figure 2.1 or 2.2.

NOTE: Top and bottom holes on screen must always be used.

Verify that all holes are properly aligned, and then tighten screws using a phillips screwdriver.



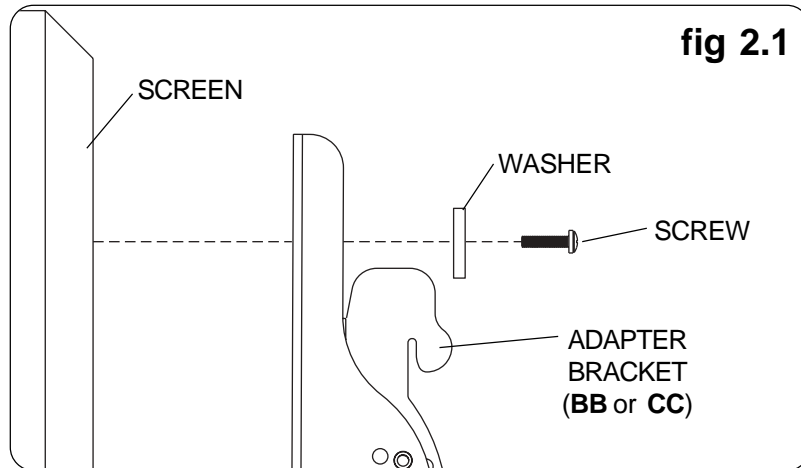
NOTE: For **flat back screens** proceed to step 2-1. For **bump-out or recessed back screen** skip to step 2-2.

For Flat Back Screen

2-1 Refer to **Screen Compatibility Chart** to determine the proper fastener to use. Visit www.peerlessmounts.com/1 for a full screen compatibility chart for this mount.

Begin with the shortest length screw, hand thread through washer and adapter bracket (**BB or CC**) into screen as shown below. Screw must make at least three full turns into the mounting hole and fit snug into place. Do not over tighten. If screw cannot make three full turns into the screen, select a longer length screw from the baffled fastener pack. Repeat for remaining mounting holes, level brackets and tighten screws.

NOTE: Spacers may not be used, depending upon the type of screen.

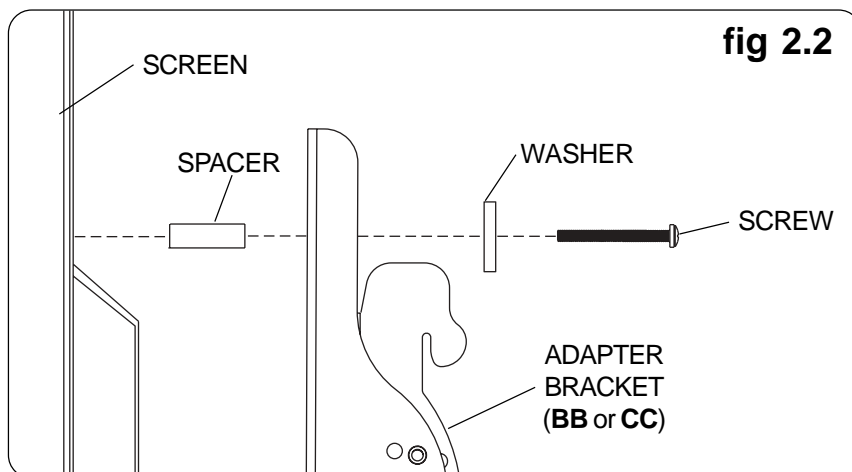


If you have any questions, please call Peerless customer care at **1-800-865-2112**.

For Bump-out or Recessed Back Screen

2-2 Refer to **Screen Compatibility Chart** to determine the proper fastener to use. Visit www.peerlessmounts.com/1 for a full screen compatibility chart for this mount.

Begin with longer length screw, hand thread through washer, adapter bracket (**BB or CC**) and spacer in that order into screen as shown below. Screw must make at least three full turns into the mounting hole and fit snug into place. Do not over tighten. If screw cannot make three full turns into the screen, select a longer length screw from the baffled fastener pack. Repeat for remaining mounting holes, level brackets and tighten screws.



If you have any questions, please call Peerless customer care at **1-800-865-2112**.

Mounting and Removing Flat Panel Screen

⚠ WARNING

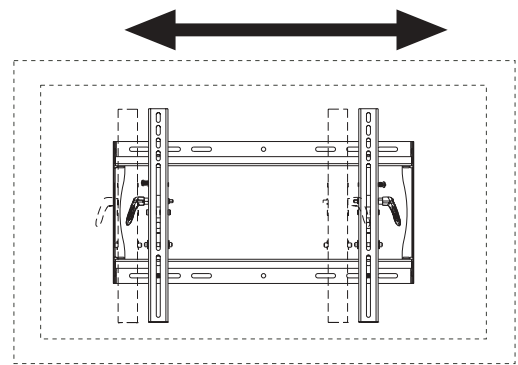
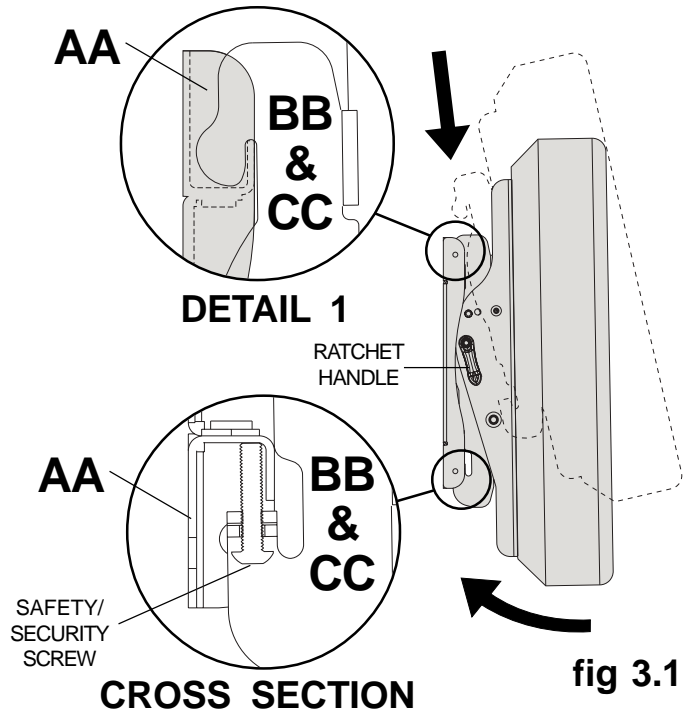
- Always use an assistant or mechanical lifting equipment to safely lift and position the flat panel screen.
- Do not tighten screws with excessive force. Overtightening can cause damage to mount. Tighten screws to 40 in. • lb (4.5 N.M.) maximum torque.
- Be careful not to pinch fingers when pushing screen from the bottom.

3 Tension Adjustment of Ratchet Handle: Adjust tension in tilt brackets (**BB & CC**) by rotating ratchet handle. **NOTE:** If obstruction prevents ratchet handle from rotating, pull handle out while turning will allow handle to reposition without tightening. Release and turn handle to tighten or loosen.

Mounting Screen: Ratchet handle **must** be in the up or down position or interference will occur while hooking tilt brackets to wall plate (**AA**). Slowly hook tilt brackets (**BB & CC**) onto wall plate (**AA**) and swing screen down as shown in fig. 3.1. Tilt bracket hooks must fully engage wall plate as shown in detail 1. Using phillips screw driver or security allen wrench (**FF**), turn safety/security screws on tilt brackets (**BB & CC**) clockwise till screw tip securely contacts wall plate as shown in cross section.

Screen Adjustment: Screen can be adjusted horizontally by loosening safety/security screws on tilt brackets (**BB & CC**) three full turns. Adjust screen as shown in figure 3.2. Tighten safety/security screws on tilt brackets till screw tip securely contacts wall plate as shown in cross section.

Removing Screen: To remove screen from mount, loosen safety screws, swing screen away from mount, and lift screen off of mount.

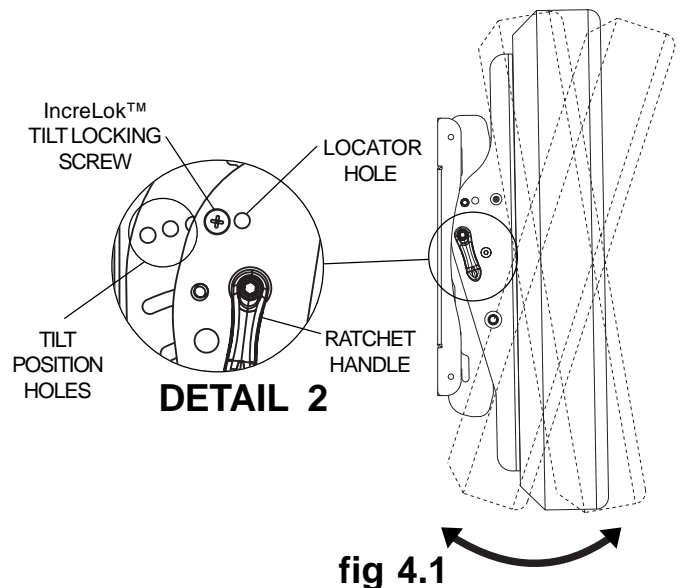


Adjusting the Tilt Angle of the Flat Panel Screen

4 For preset tilt angles use Increlok™ and for custom tilt angle use ratchet handle.

INCRELOK™: The screen can be locked into a pre-set tilt position of -5°, 0°, 5°, 10° or 15°. Use locator hole to find tilt position hole and tilt screen to align holes. Tighten IncreLok™ tilt locking screws on both tilt brackets to lock tilt as shown in detail 2.

Ratchet Handle: Loosen ratchet handle (refer to step 3 for tension adjustment of handle). Push or pull from top or bottom of screen to adjust tilt as shown in figure 4.1. The tilt can be adjusted to a maximum of 15° forward or 5° backward.



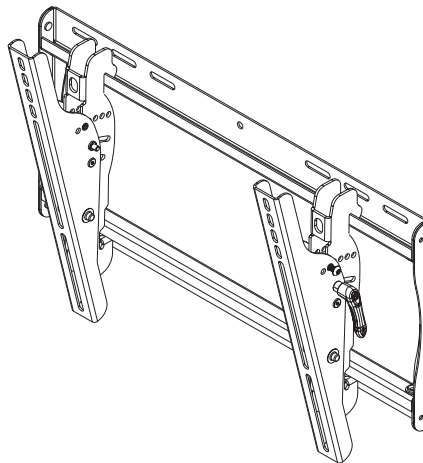
Instalación y ensamblaje:

Soporte universal de pared SmartMount® con capacidad de inclinación para pantallas planas LCD de 23" a 46"*

Modelos: D-FPT-220, D-FPT-220S, ST640, ST640-S, ST640P, ST640P-S, RTFPT-220, RTFPT-220I, RTFPT-220S, RTFPT-220SI



Este producto está inscripto en la Lista UL. Debe ser instalado por un instalador profesional cualificado.



***Nota:** * Es posible que la mayoría de los televisores de plasma de 42" o más no funcionen con este soporte. Utilice el Mount Finder (selector de soportes) para confirmar la compatibilidad.

Máxima capacidad de carga UL: 150 lb (68 kg)

Características:

- Para pantallas planas de 23" a 46"*
- El soporte universal sostiene pantallas con configuraciones de montaje de hasta 17.5" W x 12.94" H
- Sostiene el televisor a sólo 2.6" de la pared para proporcionar una instalación discreta
- El diseño abierto de la placa de pared permite más acceso a la pared y aumenta las opciones de acceso eléctrico y de manejo de cables
- Los soportes universales de montaje para pantallas se enganchan a la placa de pared para proporcionar una instalación rápida, fácil y segura
- Inclinación ajustable hacia delante de hasta 15° y hacia atrás de hasta -5°
- Inclinación de un solo toque para permitir el ajuste sin esfuerzo
- El soporte inclinable universal preapretado permite ajustar el ángulo de inclinación con un solo movimiento sencillo
- La palanca de agarre fácil fija la posición inclinada de la pantalla con seguridad
- La función opcional IncreLok™ ofrece ángulos de inclinación predeterminados en incrementos de -5°, 0°, 5°, 10° y 15°
- Incluye el paquete de sujetadores Sorted-For-You™ para instalaciones en montantes de madera, concreto y bloques de hormigón de escorias
- Ajuste horizontal opcional de hasta 6" (dependiendo del modelo de la pantalla) para la colocación perfecta de la pantalla
- A la venta en color negro y plateado

⚠ **ADVERTENCIA**

- No comience a instalar su producto de Peerless hasta haber leído y entendido las instrucciones y las advertencias contenidas en la Hoja de Instalación. Si tiene alguna pregunta acerca de cualquiera de las instrucciones o las advertencias, por favor, llame a Servicio al Cliente de Peerless al 1-800-865-2112.
- Este producto sólo debe ser instalado por una persona que tenga una aptitud mecánica, que tenga experiencia en construcción básica de edificios y que entienda estas instrucciones en su totalidad.
- Asegúrese de que la superficie de apoyo sostendrá, con seguridad, la carga combinada del equipo y todos los fijadores y componentes.
- Nunca sobrepase la capacidad máxima de soportar carga aceptada por Underwriters Laboratories. (Vea la página 10).
- Si va a instalar el producto en una pared con montantes de madera, asegúrese de que los tornillos de montaje estén anclados en el centro de los montantes. Se recomienda utilizar un localizador de montantes de "borde a borde".
- Siempre cuente con la ayuda de un asistente o utilice un equipo mecánico de izar para levantar y colocar el equipo con más seguridad.
- Apriete los tornillos con firmeza, pero no en exceso. Apretarlos en exceso puede dañar los artículos y puede disminuir significativamente su fuerza de fijación.
- Este producto fue diseñado con la intención de que se instale en las superficies de apoyo marcadas abajo con los accesorios de instalación incluidos en este producto como se especifica en la hoja de instalación. Para instalar este producto en otra superficie de apoyo, llame a Servicio al Cliente de Peerless al 1-800-865-2112.
- Este producto fue diseñado para ser instalado en paredes con la siguiente construcción solamente:

CONSTRUCCIÓN DE LA PARED

ACCESORIOS ADICIONALES NECESARIOS

<input checked="" type="checkbox"/> Montante de madera	Ninguno
<input checked="" type="checkbox"/> Viga de madera	Ninguno
<input checked="" type="checkbox"/> Concreto macizo	Ninguno
<input checked="" type="checkbox"/> Bloque de hormigón de escorias	Ninguno
<input type="checkbox"/> Montante de metal	No lo instale excepto con el juego de accesorios de Peerless para montantes de metal. Llame a Servicio al Cliente para pedir el juego de accesorios de Peerless para montantes de metal.
<input type="checkbox"/> Ladrillo	Comuníquese con Servicio al Cliente.
<input type="checkbox"/> ¿Otra superficie o no está seguro?	Comuníquese con Servicio al Cliente.

Herramientas necesarias para el ensamblaje

- localizador de montantes (se recomienda uno de "borde a borde")
- destornillador phillips
- taladro
- broca de 1/4" para paredes de concreto y de bloque de hormigón de escorias
- broca de 1/2" para paredes con montantes de metal
- broca de 5/32" para paredes con montantes de madera
- nivel

Accesorios

- ACC415 - Juego de accesorios de piezas para la fijación en montantes de metal (El montante de metal no ha sido evaluado por UL)
- SCS222 - Repisa para componentes - SmartMount®

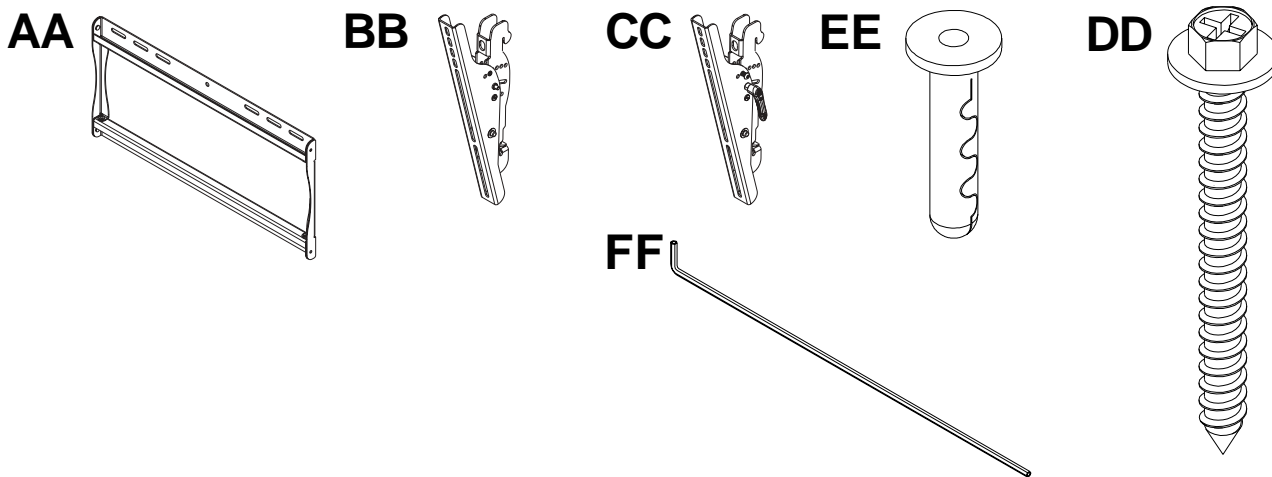
Tabla de contenido

Lista de piezas	12
Instalación en una pared con montantes de madera dobles	14
Instalación en una pared de concreto macizo o de bloques de hormigón de escorias	15
Instalación de los soportes adaptadores	16
Instalación y desinstalación de la pantalla plana	18

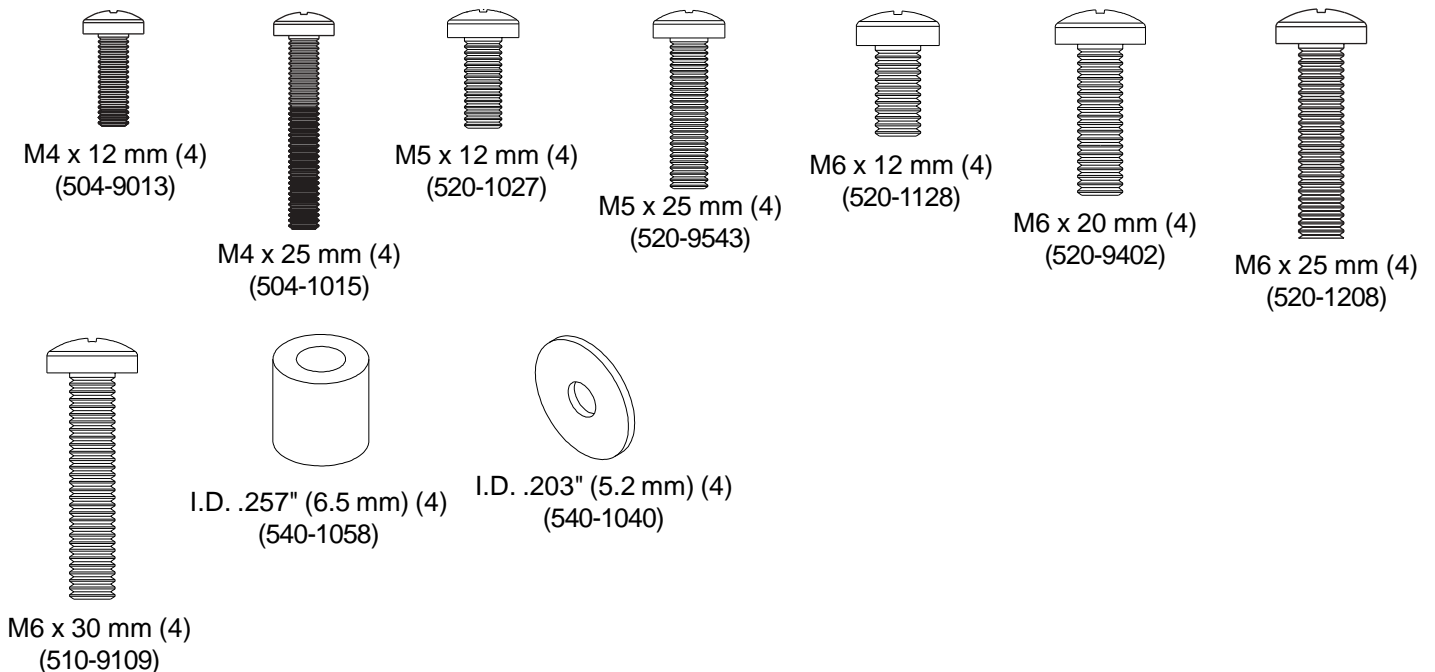
Antes de comenzar, asegúrese de que su producto contiene todas las piezas que se muestran

Lista de piezas	Cantidad	Aseguradora		No aseguradora	
		N.o de pieza negra	N.o de pieza plateada	N.o de pieza negra	N.o de pieza plateada
AA placa de pared	1	201-1505	201-4505	201-1505	201-4505
BB soporte inclinable derecho	1	201-1466	201-4466	201-1465	201-4465
CC soporte inclinable izquierdo	1	201-1468	201-4468	201-1467	201-4467
DD tornillo para madera de 14 x 2.5"	4	5S1-015-C03	5S1-015-C03	5S1-015-C03	5S1-015-C03
EE anclaje alligator®	4	590-0097	590-0097	590-0097	590-0097
FF llave allen de 4 mm	1	560-1131	560-1131	(no incluida)	(no incluida)

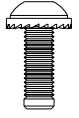
Las piezas podrían verse ligeramente diferentes a las ilustradas.



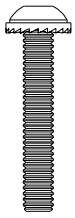
Sujetadores no aseguradores para los soportes adaptadores



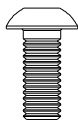
Sujetadores aseguradores para los soportes adaptadores



M4 x 12 mm (4)
(510-1079)



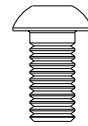
M4 x 25 mm (4)
(510-1082)



M5 x 12 mm (4)
(520-1064)



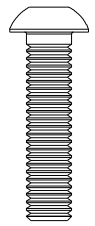
M5 x 25 mm (4)
(520-1122)



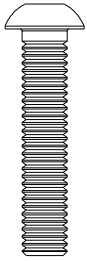
M6 x 12 mm (4)
(520-1050)



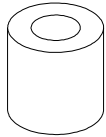
M6 x 20 mm (4)
(520-9554)



M6 x 25 mm (4)
(520-1211)



M6 x 30 mm (4)
(520-1067)



I.D. .257" (6.5 mm) (4)
(540-1058)



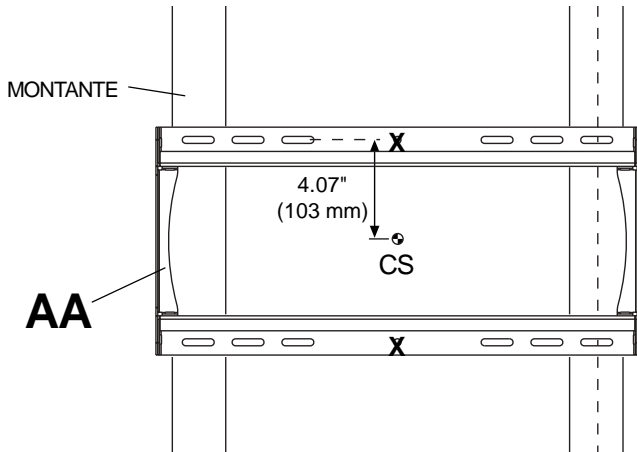
I.D. .203" (5.2 mm) (4)
(540-1040)

⚠ ADVERTENCIA

- El instalador debe verificar que la superficie de apoyo sea capaz de soportar firmemente la carga combinada del equipo y todos los herrajes y componentes.
- Apriete los tornillos para madera de tal modo que la placa de apoyo quede firmemente sujeta, pero no apriete en exceso. El apriete excesivo puede dañar los tornillos, reduciendo enormemente su fuerza de fijación.
- Nunca apriete más de 80 pulg-lb (9 N•m).
- Asegúrese de que los tornillos de montaje queden bien fijos en el centro del montante. Se recomienda usar un localizador de montantes de "borde a borde".
- Los herrajes suministrados son para fijar el soporte a través de tabique de yeso-cartón o yeso de espesor estándar a los montantes de madera. Los instaladores son responsables de suministrar los herrajes para otros tipos de situaciones de montaje.

1 La placa de pared (**AA**) se puede instalar en dos montantes que tengan una separación de 16". Utilice un localizador de montantes para localizar los bordes de los montantes. Se recomienda utilizar un localizador de montantes de "borde a borde". Tomando los bordes como punto de referencia, trace una línea vertical por el centro de cada montante. Coloque la placa de pared contra la pared para utilizarla como plantilla. Las ranuras de montaje superiores deben estar ubicadas a 4.07" (103 mm) encima del punto donde quiere que quede el centro de la pantalla, como se muestra en la figura 1.1. Nivele la placa y marque el centro de los cuatro agujeros de montaje. Asegúrese de que los agujeros de montaje estén sobre las líneas que trazó por el centro de los montantes. Taladre cuatro agujeros de 5/32" (4 mm) de diámetro y 2-1/2" (65 mm) de profundidad. Asegúrese de que la placa esté nivelada, fíjela utilizando cuatro tornillos para madera de 14 x 2.5" (**DD**), como se muestra en la figura 1.2.

Pase al paso 2.



CP = centro de la pantalla

fig. 1.1

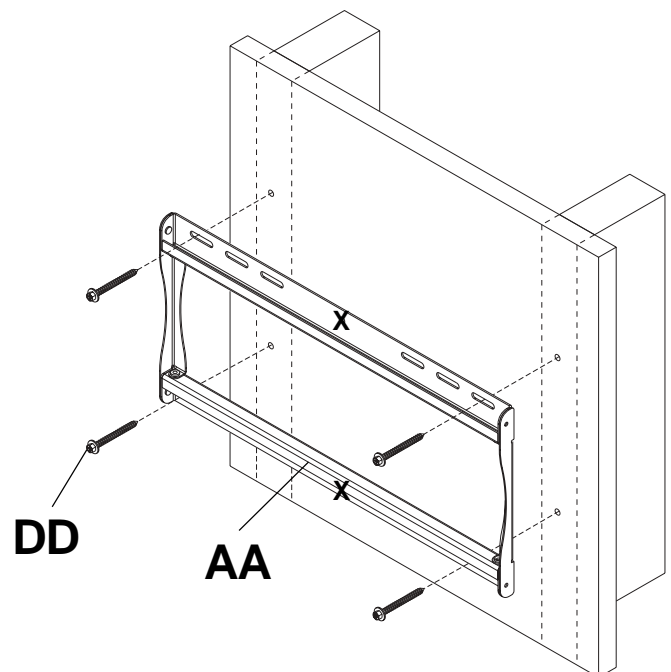
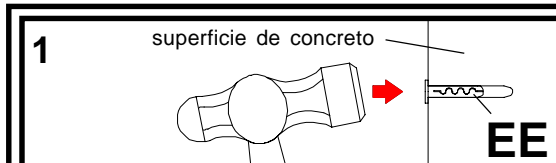


fig. 1.2

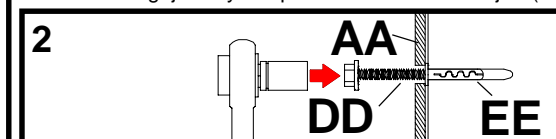
⚠ ADVERTENCIA

- Cuando instale soportes de pared Peerless en bloques de hormigón de escorias, verifique que tengan un mínimo de 1-3/8" de superficie efectiva de concreto en el agujero que va a utilizar para los anclajes de concreto. ¡No perforo en las juntas de mortero! Asegúrese de instalar el soporte en una parte sólida del bloque, generalmente a un mínimo de 1" del costado del bloque. El bloque de hormigón de escorias debe ser de conformidad con las especificaciones C-90 de ASTM. Se sugiere taladrar el agujero con un taladro eléctrico normal en velocidad lenta en vez de un taladro percutor para evitar romper la parte trasera del agujero al entrar en un espacio o cavidad.
- El concreto debe tener una densidad mínima de 2000 psi. Un concreto menos denso podría no ser capaz de sujetar el anclaje para concreto.
- El instalador debe verificar que la superficie de apoyo sea capaz de soportar firmemente la carga combinada del equipo y todos los herrajes y componentes.

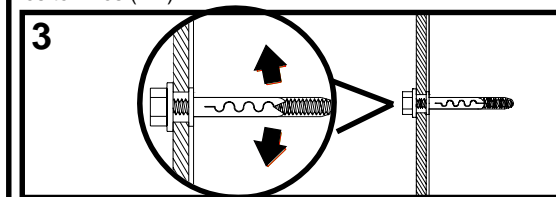
- 1** Asegúrese de que la placa de pared (AA) esté nivelada y utilícela como plantilla para marcar cuatro agujeros de montaje. Las ranuras de montaje superiores deben estar ubicadas a 4.07" (103 mm) encima del punto donde quiere que quede el centro de la pantalla, como se muestra en la figura 1.1, de la página 14. Taladre cuatro agujeros de 1/4" (6 mm) de diámetro con una profundidad mínima de 2.5" (64 mm). Inserte los anclajes (EE) en los agujeros a ras con la pared, como se muestra (a la derecha). Coloque la placa de pared sobre los anclajes y fíjela con los tornillos de 14 x 2.5" (DD). Nivele y apriete todos los sujetadores.



1 Perfore los agujeros y después inserte los anclajes (EE).



2 Coloque la placa (AA) sobre los anclajes (EE) y fíjela con los tornillos (DD).



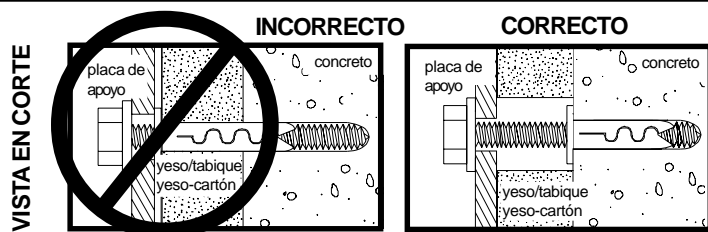
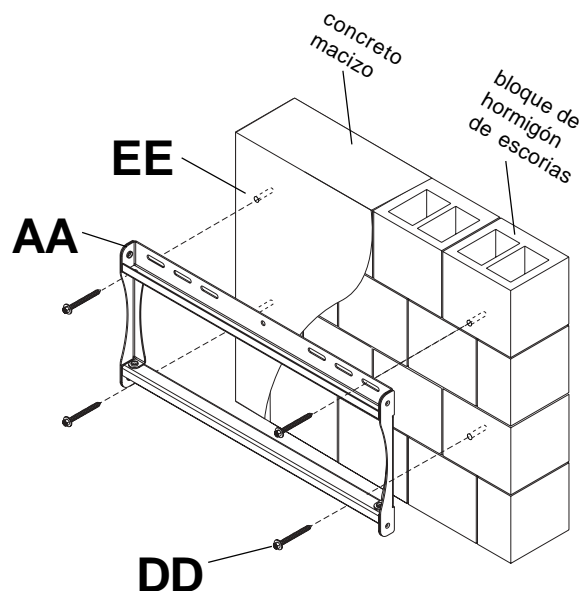
3 Apriete todas las fijaciones

⚠ ADVERTENCIA

- Apriete los tornillos de tal modo que la placa de apoyo quede firmemente sujeta, pero no los apriete en exceso. El apriete excesivo puede dañar los tornillos, reduciendo enormemente su fuerza de fijación.
- Nunca apriete más de 80 pulg-lb (9 N•m).

⚠ ADVERTENCIA

- Siempre fije los anclajes de expansión directamente al concreto que soporta carga.
- Nunca fije los anclajes de expansión a una pared de concreto recubierta con yeso, tabiques de yeso-cartón u otro material de acabado. Si el montaje a superficies de concreto recubiertas con una superficie de acabado es inevitable, será necesario escariar el acabado, como se muestra más abajo. Asegúrese de que los anclajes de concreto no se alejen del concreto al apretar los tornillos. Si el grosor de la pared de yeso/tabique de yeso-cartón es mayor que 5/8", el instalador deberá suministrar fijaciones especiales.



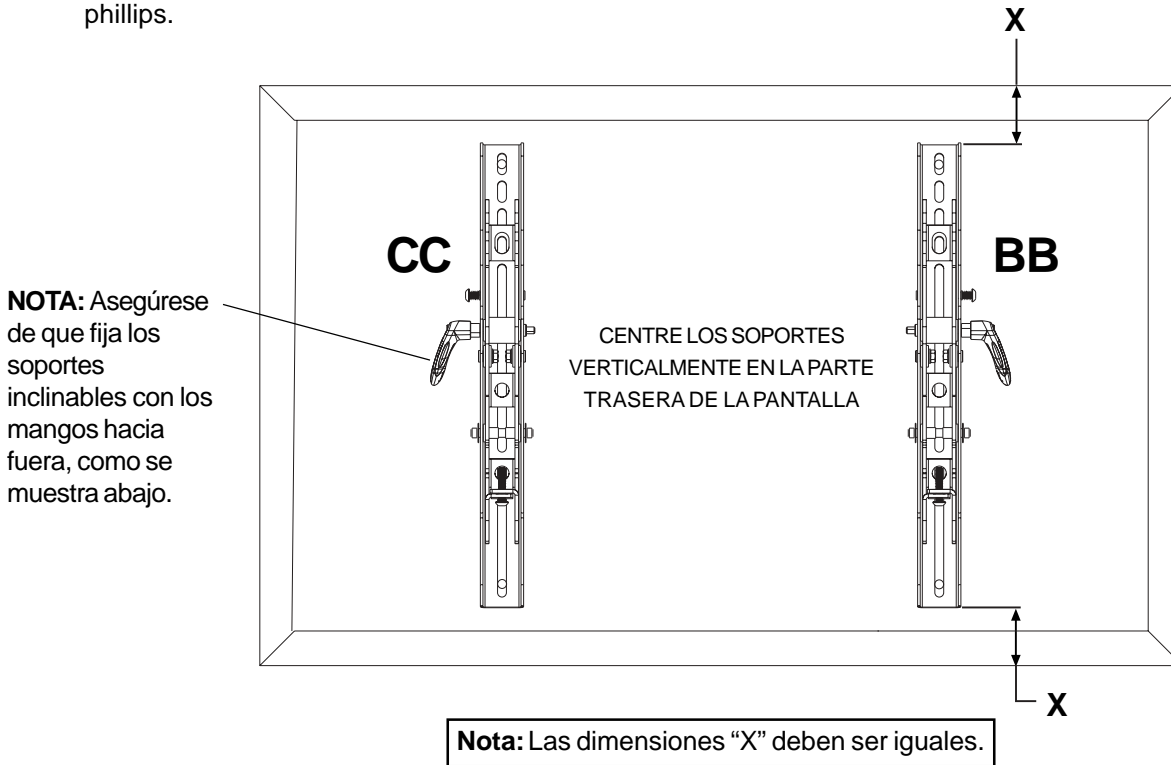
⚠ ADVERTENCIA

- Apriete los tornillos de tal modo que los soportes adaptadores queden firmemente sujetos. No apriete aplicando demasiada fuerza. El apriete excesivo puede causar daño por esfuerzo a los tornillos, reduciendo enormemente su fuerza de fijación y causando el posible desprendimiento de sus cabezas. Apriete los tornillos a 40 pulg-lb (4.5 N•m) de par torsor máximo.
- Si los tornillos no pueden atornillarse con tres vueltas completas en los insertos de la pantalla, o si los tornillos topan fondo y la placa todavía no está firmemente sujeta, se podría dañar la pantalla o causar la falla del producto.

2 Para no rayar la pantalla, coloque un trapo sobre una superficie plana y nivelada que sostenga el peso de la pantalla. Coloque la pantalla boca abajo. Si la pantalla tiene perillas en la parte trasera, quíteselas para poder fijar los soportes adaptadores. Coloque los soportes adaptadores (**BB** y **CC**) en la parte trasera de la pantalla, alinéelos con los agujeros y centralícelos en la parte trasera de la pantalla, como se muestra abajo. Fije los soportes adaptadores en la parte trasera de la pantalla utilizando la combinación adecuada de tornillos, arandelas y espaciadores, como se muestra en la figura 2.1 o en la figura 2.2.

NOTA: Siempre se tienen que usar los agujeros superiores y los inferiores.

Verifique que todos los agujeros estén debidamente alineados y luego apriete los tornillos usando un destornillador phillips.



NOTA: En el caso de los televisores que tienen la **parte posterior plana**, pase al paso 2-1. En el caso de los televisores que tienen la **parte posterior abultada o empotrada**, pase al paso 2-2.

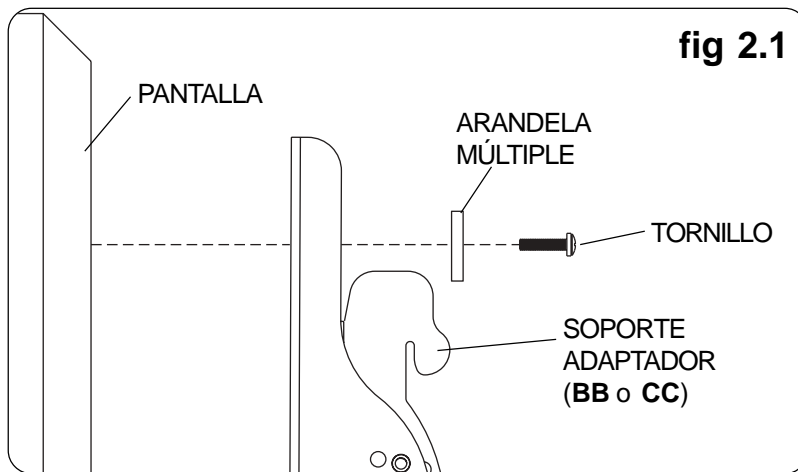
Instalación de un televisor que tiene la parte posterior plana

Español

2-1 Refiérase a la **Tabla de compatibilidad de las pantallas** para determinar cuáles son los sujetadores adecuados para usarse. Acceda a www.peerlessmounts.com/1 si se trata para ver una tabla completa de las pantallas compatibles con este soporte.

Para no rayar la pantalla, coloque un trapo sobre una superficie plana y nivelada que sostenga el peso de la pantalla. Coloque la pantalla boca abajo. Si la pantalla tiene perillas en la parte trasera, quíteselas para poder fijar los soportes adaptadores. Coloque los soportes adaptadores (**BB** y **CC**) en la parte trasera de la pantalla, alinéelos con los agujeros y centralícelos en la parte trasera de la pantalla, como se muestra abajo. Fije los soportes adaptadores en la parte trasera de la pantalla utilizando la combinación adecuada de tornillos, arandelas y espaciadores, como se muestra en la figura 2.1 o en la figura 2.2.

NOTA: Siempre se tienen que usar los agujeros superiores y los inferiores.

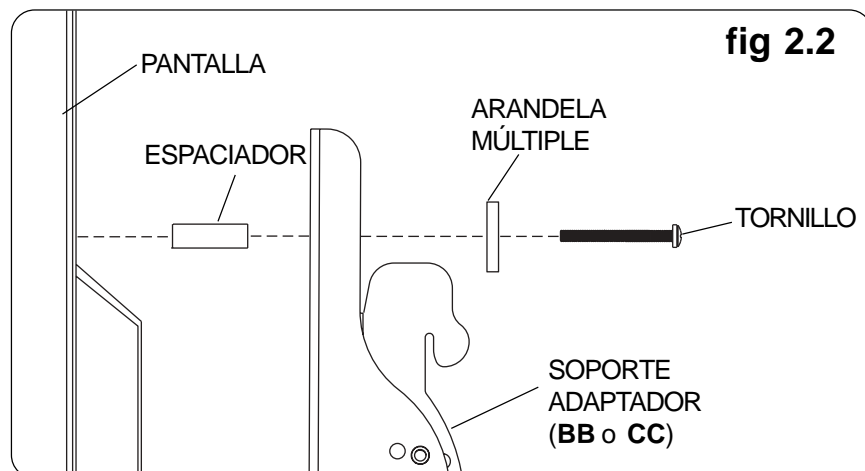


Si tiene alguna pregunta, por favor, llame a Servicio al Cliente de Peerless al **1-800-865-2112**.

Instalación de un televisor que tiene la parte posterior abultada o empotrada

2-2 Refiérase a la **Tabla de compatibilidad de las pantallas** para determinar cuáles son los sujetadores adecuados para usarse. Acceda a www.peerlessmounts.com/1 si se trata para ver una tabla completa de las pantallas compatibles con este soporte.

Comience con uno de los tornillos más largos, enrósquelo, con la mano, a través de la arandela, el soporte adaptador y el espaciador, en ese orden, a la parte posterior de la pantalla, como se muestra abajo. El tornillo tiene que dar, por lo menos, tres vueltas completas dentro del agujero de montaje y debe quedar ajustado en su lugar. No apriete los tornillos en exceso. Si el tornillo no puede dar tres vueltas completas al entrar en la parte posterior de la pantalla, seleccione un tornillo más largo de los sujetadores identificados y clasificados en las divisiones del empaque plástico. Siga el mismo procedimiento con los agujeros de instalación restantes, nivele los soportes y apriete los tornillos.



Si tiene alguna pregunta, por favor, llame a Servicio al Cliente de Peerless al **1-800-865-2112**.

⚠ ADVERTENCIA

- Siempre cuente con un asistente o con un equipo mecánico de izar para levantar y colocar los televisores de pantalla plana con más seguridad.
- No apriete los tornillos con fuerza excesiva. Apretarlos en exceso puede dañar el soporte. Apriete los tornillos a un máximo de 40 pulg-lb (4.5 N•m) de par torsor.
- Tenga cuidado de no pincharse los dedos cuando empuje la pantalla por la parte inferior.

3 Ajuste tensor de la palanca de trinquete: Ajuste la tensión de los soportes inclinables (**BB** y **CC**) rotando la palanca de trinquete. **NOTA:** Si una obstrucción le impide rotar la palanca de trinquete, puede tirar de la palanca hacia fuera a la vez que le da vuelta para poder colocarla en otra posición sin apretar los soportes. Al dejar de tirar de la palanca hacia fuera, la misma se volverá a pegar del televisor en la posición que permite apretar o aflojar los soportes.

Instalar la pantalla: La palanca de trinquete **tiene** que estar en la posición hacia arriba o hacia abajo o estorbará cuando enganche los soportes inclinables a la placa de pared (**AA**). Enganche los soportes inclinables (**BB** y **CC**) lentamente a la placa de pared (**AA**) y gire la pantalla hacia abajo, como se muestra en la figura 3.1. Los ganchos de los soportes inclinables tienen que entrar completamente en la placa de pared, como se muestra en el detalle 1. Usando un destornillador phillips o una llave allen de seguridad (**FF**), déles vuelta los tornillos de seguridad de los soportes inclinables (**BB** y **CC**) en el sentido de las manecillas del reloj hasta que la punta del tornillo toque firmemente la placa de pared, como se muestra en la sección transversal.

Ajuste de la pantalla: La pantalla se puede ajustar horizontalmente aflojando los tornillos de seguridad de los soportes inclinables (**BB** y **CC**) tres vueltas completas. Ajuste la pantalla, como se muestra en la figura 3.2. Apriete los tornillos de seguridad de los soportes inclinables hasta que la punta de los tornillos toque firmemente la placa de pared, como se muestra en la sección transversal.

Quitar la pantalla: Para quitar la pantalla del soporte, afloje los tornillos de seguridad, gire la pantalla retirándola del soporte y levántela para sacarla del soporte.

Ajustar el ángulo de inclinación de la pantalla

4 Para colocar la pantalla en ángulos de inclinación predeterminados, utilice la función de IncreLok™; para ajustar la inclinación como guste, utilice la palanca de trinquete.

INCRELOK™: La pantalla se puede ajustar a ángulos de inclinación predeterminados de -5°, 0°, 5°, 10° ó 15°. Use el agujero localizador para encontrar el agujero de inclinación e incline la pantalla para alinear los agujeros. Apriete los tornillos de fijación de la inclinación IncreLok™ de ambos soportes inclinables para fijar la inclinación, como se muestra en el detalle 2.

Palanca de trinquete: Afloje la palanca de trinquete (vea el paso 3 para aprender sobre el ajuste tensor de la palanca). Mueva la parte superior o la parte inferior de la pantalla tirando de la misma o empujándola para ajustar la inclinación, como se muestra en la figura 4.1. La inclinación se puede ajustar hasta un máximo de 15° hacia delante o de 5° hacia atrás.

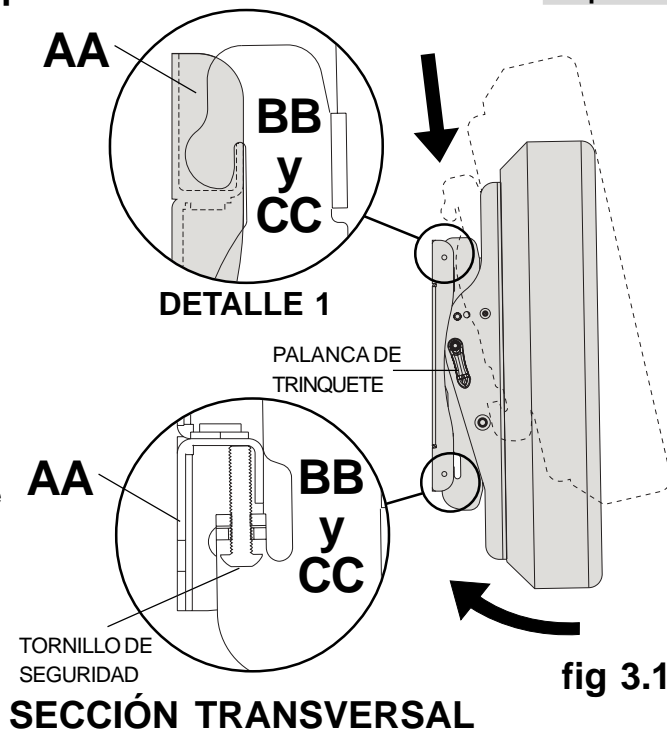


fig 3.1

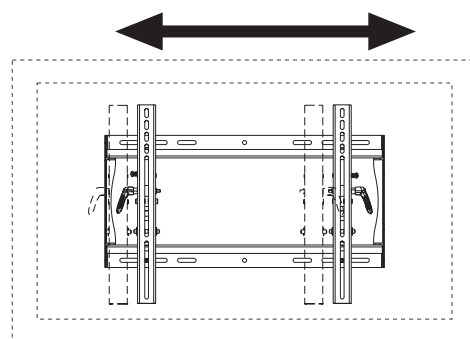


fig 3.2

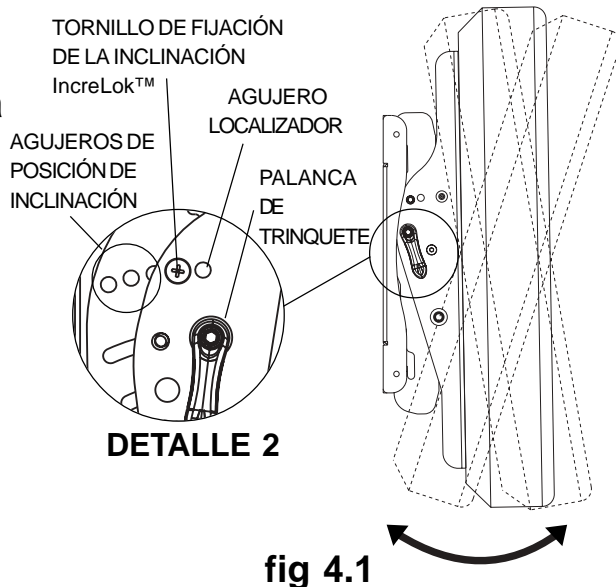


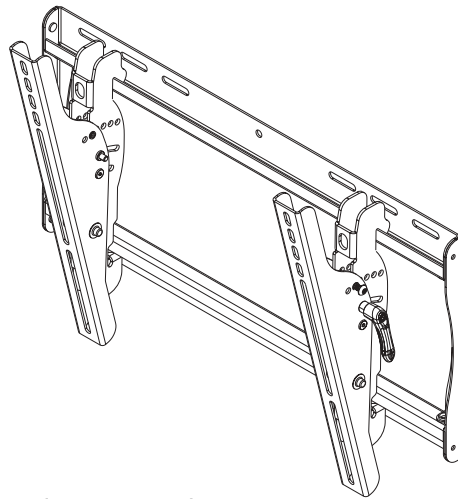
fig 4.1

Installation et montage : Support mural inclinable universel Smartmount® pour écrans plats ACL de 23 à 46 po*

Modèles: D-FPT-220, D-FPT-220S, ST640, ST640-S,
ST640P, ST640P-S, RTFPT-220, RTFPT-220I,
RTFPT-220S, RTFPT-220SI



Ce produit est homologué UL. Il doit être installé par un installateur professionnel qualifié.



***Remarque :** *La plupart des écrans plasma de 42 po et plus peuvent ne pas être compatibles avec ce support. Utilisez l'outil de recherche de support Mount Finder pour vérifier la compatibilité.

**Capacité de charge maximale
préconisée par UL: 150 lb (68 kg)**

Caractéristiques :

- Convient aux écrans plats de 23 à 46 po*
- Le support universel est adapté aux écrans avec configuration de trous de montage de 17,5 po de large x 12,94 po de hauteur
- Écran maintenu à 2,6 po seulement du mur pour une installation discrète
- La plaque murale ouverte offre un accès mural supplémentaire, augmentant l'accès électrique et les options de gestion du câblage
- Les supports de montage d'écran universels s'accrochent à la plaque murale pour une installation rapide, facile et sans danger
- Réglable jusqu'à 15° pour l'inclinaison vers l'avant et jusqu'à -5° pour l'inclinaison vers l'arrière
- Inclinaison instantanée pour un réglage sans effort
- Le support inclinable universel prétendu permet de régler l'angle d'inclinaison en un seul mouvement facile.
- La poignée à prise facile verrouille l'écran en position
- La fonction IncreLok en option permet l'inclinaison par incréments de -5, 0, 5, 10 et 15°.
- Inclut un jeu de fixations Sorted-For-You™ pour l'installation sur des montants en bois, du béton ou du bloc de béton
- Réglage horizontal en option jusqu'à 6 po (en fonction du modèle d'écran) pour un positionnement parfait de l'écran
- Disponible en noir et en argent

⚠ AVERTISSEMENT

- Ne commencez pas à installer votre produit Peerless avant d'avoir lu et assimilé les instructions et les mises en garde contenues dans cette fiche d'installation. Pour toute question concernant les instructions ou les mises en garde, appelez le service à la clientèle de Peerless au 1-800-865-2112.
- Ce produit ne doit être installé que par une personne ayant de bonnes aptitudes en mécanique, expérimentée en travaux de construction élémentaires, et démontrant une parfaite compréhension de ces instructions.
- Assurez-vous que la surface de support pourra soutenir sans danger la charge combinée de l'équipement, de toute sa visserie et de tous ses composants.
- Ne dépassez jamais la capacité de charge maximum établie par l'UL. Reportez-vous à la page 19.
- Si vous effectuez le montage sur un mur à montants en bois, assurez-vous que les vis de montage sont ancrées au centre des montants. L'usage d'un localisateur « bord à bord » est fortement conseillé.
- Pour lever et positionner l'équipement en toute sécurité, faites-vous toujours aider par une autre personne ou utilisez un matériel de levage mécanique.
- Serrez fermement les vis, mais sans excès. Un serrage excessif peut endommager les éléments et en réduire considérablement le pouvoir de maintien.
- Ce produit a été conçu et prévu pour être monté sur les surface de support mentionnées ci-après ; la visserie incluse dans ce produit est celle spécifiée sur la fiche d'installation. Pour monter ce produit sur une autre surface de support, adressez-vous au service clientèle de Peerless au 1-800-865-2112.
- Ce produit a été conçu pour être installé sur le type de mur suivant uniquement :

TYPE DE MUR	VISSERIE SUPPLÉMENTAIRE REQUISE
<input checked="" type="checkbox"/> Montant en bois	Aucune
<input checked="" type="checkbox"/> Poutre en bois	Aucune
<input checked="" type="checkbox"/> Béton plein	Aucune
<input checked="" type="checkbox"/> Bloc de béton de mâchefer	Aucune
<input type="checkbox"/> Montant métallique	Ne fixer qu'avec le kit d'accessoires Peerless pour montants métalliques Adressez-vous au service clientèle pour vous procurer le kit d'accessoires Peerless pour montants métalliques.
<input type="checkbox"/> Brique	Adressez-vous au service clientèle
<input type="checkbox"/> Autre, ou vous n'êtes pas sûr ?	Adressez-vous au service clientèle

Outils nécessaires au montage

- localisateur de montants (un localisateur de montants « bord à bord » est recommandé.)
- tournevis cruciforme
- perceuse
- foret de ¼ po pour les murs en béton et en bloc de béton
- foret de 1/2 po pour les murs à montants métalliques
- foret de 5/32 po pour les murs à montants en bois
- niveau

Accessoires

- ACC415 – Ensemble de fixations pour montants métalliques (montant métallique non évalué aux normes UL)
- SCS211 – Étagère audio-vidéo SmartMount®

Table des matières

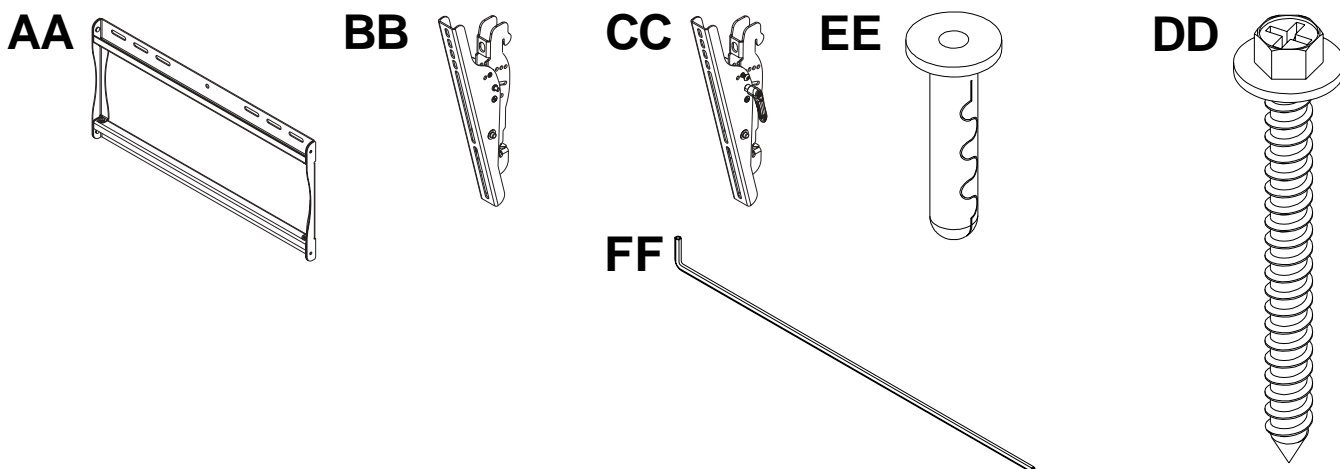
Liste des pièces	21
Installation sur un mur à doubles montants en bois	23
Installation sur du béton plein ou du bloc de béton	24
Installation des supports adaptateurs	25
Montage et démontage d'un écran plat	27

Avant de commencer, veuillez à ce que toutes les pièces énumérées soient incluses.

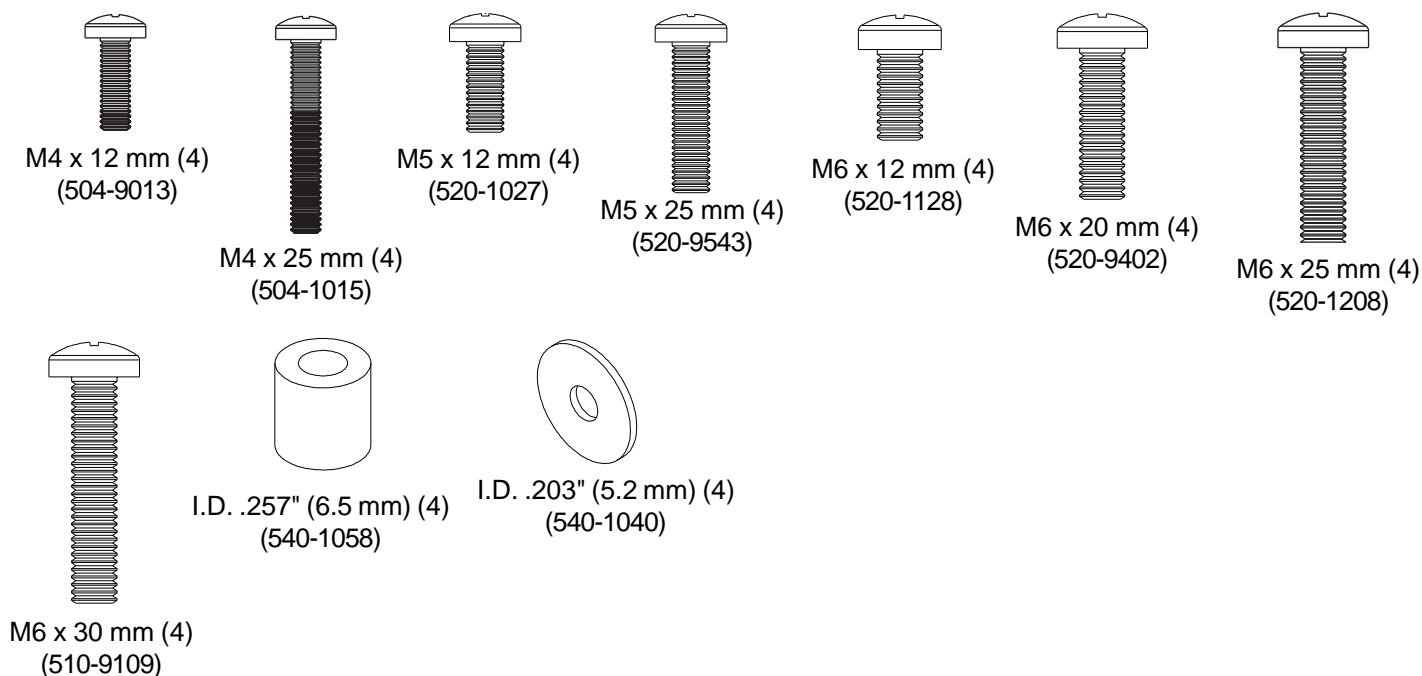
Liste des pièces

Description	Qté	Sécurité		Sans sécurité	
		Noir Référence	Argent Référence	Noir Référence	Argent Référence
AA plaque murale	1	201-1505	201-4505	201-1505	201-4505
BB support inclinable droit	1	201-1466	201-4466	201-1465	201-4465
CC support inclinable gauche	1	201-1468	201-4468	201-1467	201-4467
DD vis à bois no 14 x 2,5	4	5S1-015-C03	5S1-015-C03	5S1-015-C03	5S1-015-C03
EE ancrage Alligator® 4	4	590-0097	590-0097	590-0097	590-0097
FF clé hexagonale de 4 mm	1	560-1131	560-1131	(non incluse)	(non incluse)

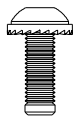
Il est possible que les pièces semblent légèrement différentes de l'illustration.



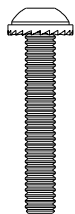
Fixations du support adaptateur sans sécurité



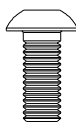
Fixations du support adaptateur avec sécurité



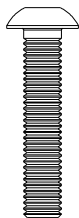
M4 x 12 mm (4)
(510-1079)



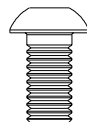
M4 x 25 mm (4)
(510-1082)



M5 x 12 mm (4)
(520-1064)



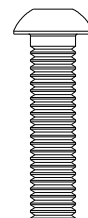
M5 x 25 mm (4)
(520-1122)



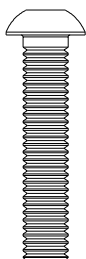
M6 x 12 mm (4)
(520-1050)



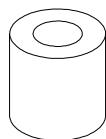
M6 x 20 mm (4)
(520-9554)



M6 x 25 mm (4)
(520-1211)



M6 x 30 mm (4)
(520-1067)



I.D. .257" (6.5 mm) (4)
(540-1058)



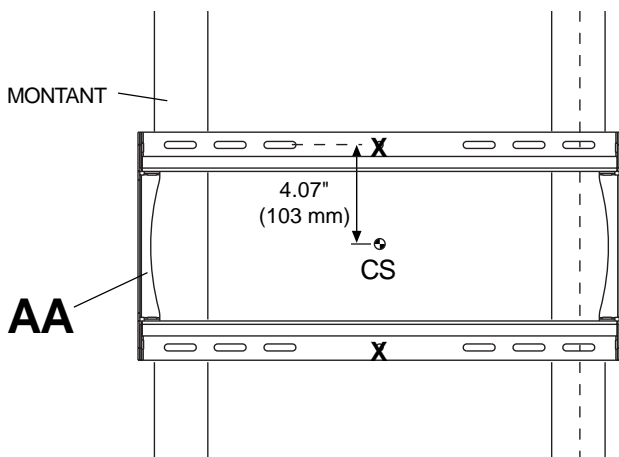
I.D. .203" (5.2 mm) (4)
(540-1040)

⚠ AVERTISSEMENT

- L'installateur doit s'assurer que la surface de support pourra soutenir sans danger la charge combinée de l'équipement, de toute sa visserie et de tous ses composants.
- Serrez les vis à bois de manière que la plaque murale soit fermement fixée, mais sans excès. Un serrage excessif peut endommager les vis et en réduire considérablement le pouvoir de maintien.
- Ne serrez jamais à plus de 9 Nm (80 po-lb).
- Assurez-vous que les vis de montage sont ancrées au centre des montants. L'usage d'un localisateur de montants « bord à bord » est fortement conseillé.
- La visserie est fournie pour fixer la monture à travers une cloison sèche ou du plâtre d'épaisseur standard et dans des montants en bois. Il appartient aux installateurs de fournir la visserie nécessaire pour d'autres types de situations.

1 La plaque murale (**AA**) peut être installée sur deux montants espacés de 16 po. Repérez le bord des montants à l'aide d'un localisateur de montants. L'utilisation d'un localisateur de montants « bord à bord » est fortement recommandée. Après avoir repéré les bords, tracez une ligne verticale le long du centre de chaque montant. Posez la plaque murale sur le mur et utilisez-la comme gabarit. Les fentes de montage supérieures doivent être situées à 4,07 po (103 mm) au-dessus de l'endroit souhaité pour le centre de l'écran comme illustré à la figure 1.1. Mettez la plaque à niveau et marquez le centre des quatre trous de fixation. Veillez à ce que les trous de fixation soient sur la ligne médiane du montant. Percez quatre trous de 5/32 po (4 mm) de dia. et de 2-1/2 po (65 mm) de profondeur. Veillez à ce que la plaque murale soit de niveau et fixez-la à l'aide de quatre vis à bois n° 14 x 2,5 po (**DD**) comme illustré à la figure 1.2.

Passez à l'étape 2.



CE = centre de l'écran

fig. 1.1

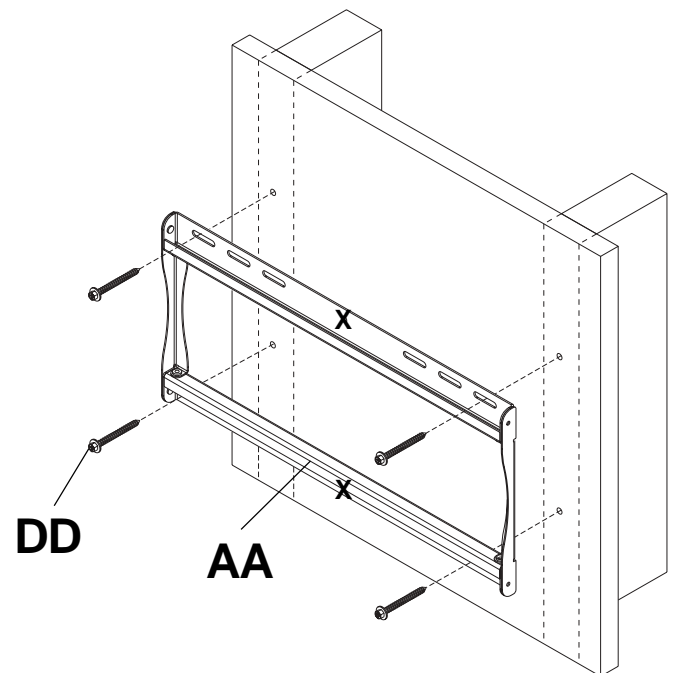
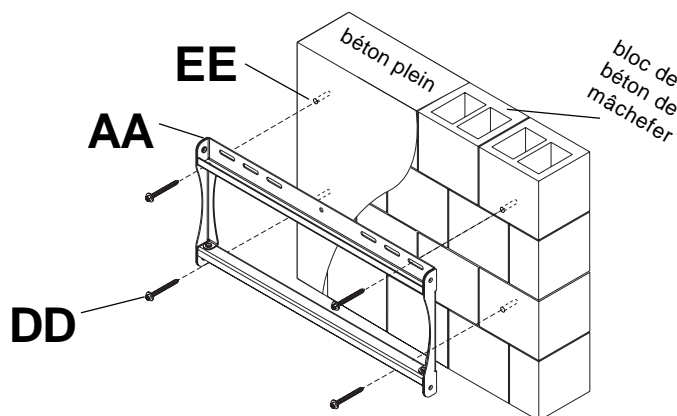


fig. 1.2

⚠ AVERTISSEMENT

- Si vous installez des montures murales Peerless sur un bloc de béton de mâchefer, vérifiez que vous disposez d'une épaisseur de béton d'au moins 3,4 cm (1 3/8 po) dans le trou destiné aux ancrages de béton. Ne percez pas dans les joints de mortier ! Veillez à effectuer le montage dans une partie pleine du bloc, généralement à au moins 2,5 cm (1 po) du côté du bloc. Le bloc de béton de mâchefer doit être conforme aux spécifications de l'ASTM C-90. Pour percer le trou, il est conseillé d'utiliser une perceuse électrique standard sur un réglage bas au lieu d'un marteau perforateur, afin d'éviter de briser la partie arrière du trou lorsque vous pénétrez un vide ou une cavité.
- Le béton doit avoir une densité minimum de 2 000 psi. Un béton de densité moindre risquerait de ne pas retenir un ancrage de béton.
- Assurez-vous que la surface de support pourra soutenir sans danger la charge combinée de l'équipement, de toute sa visserie et de tous ses composants.

- 1** Assurez-vous que la plaque murale (AA) est de niveau et utilisez-la comme gabarit pour marquer l'emplacement des quatre trous de fixation. Les fentes de montage supérieures doivent être situées à 4,07 po (103 mm) au-dessus de l'endroit souhaité pour le centre de l'écran comme illustré à la figure 1.1 en page 23. Percez quatre trous de 1/4 po (6 mm) de dia. à une profondeur minimale de 2,5 po (64 mm). Insérez les chevilles d'ancrage (EE) dans les trous au ras du mur comme illustré (à droite). Posez la plaque murale sur les chevilles d'ancrage et attachez-la à l'aide de vis n° 14 x 2,5 po (DD). Assurez-vous qu'elle est de niveau, puis serrez toutes les fixations.

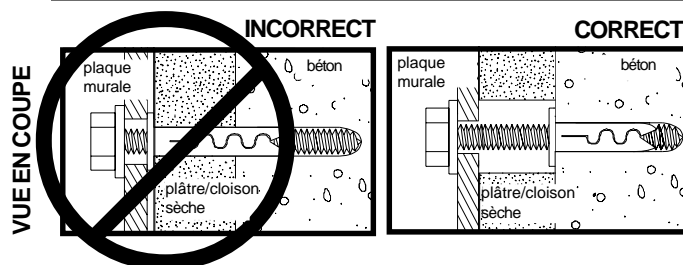
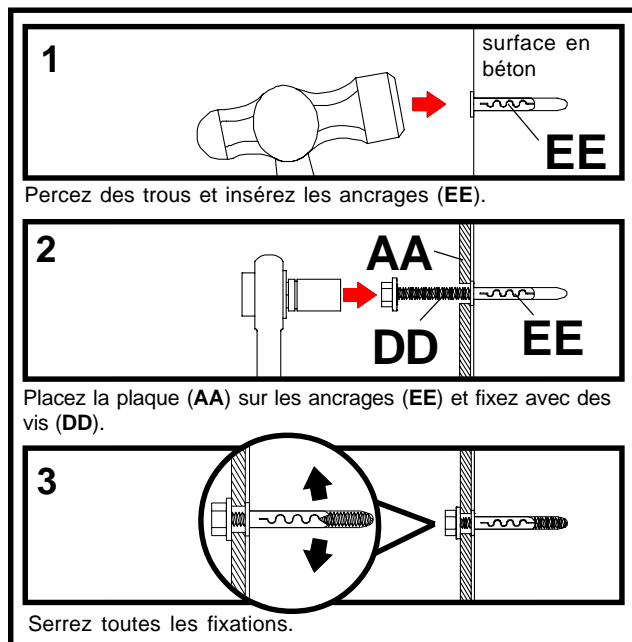


⚠ AVERTISSEMENT

- Serrez les vis de manière que la plaque murale soit fermement fixée, mais sans excès. Un serrage excessif peut endommager les vis et en réduire considérablement le pouvoir de maintien.
- Ne serrez jamais à plus de 9 Nm (80 po-lb).

⚠ AVERTISSEMENT

- Fixez toujours des ancrages de béton directement sur du béton porteur.
- Ne fixez jamais d'ancrages sur du béton recouvert de plâtre, une cloison sèche ou autre matériau de finition. Si vous ne pouvez pas éviter d'effectuer le montage sur une surface de finition, celle-ci doit être chambrée, comme indiqué ci-dessous. Assurez-vous que les ancrages de béton ne se séparent pas du béton lorsque vous serrez les vis. Si l'épaisseur du plâtre / de la cloison sèche dépasse 1,5 cm (5/8 po), des fixations adaptées devront être fournies par l'installateur.



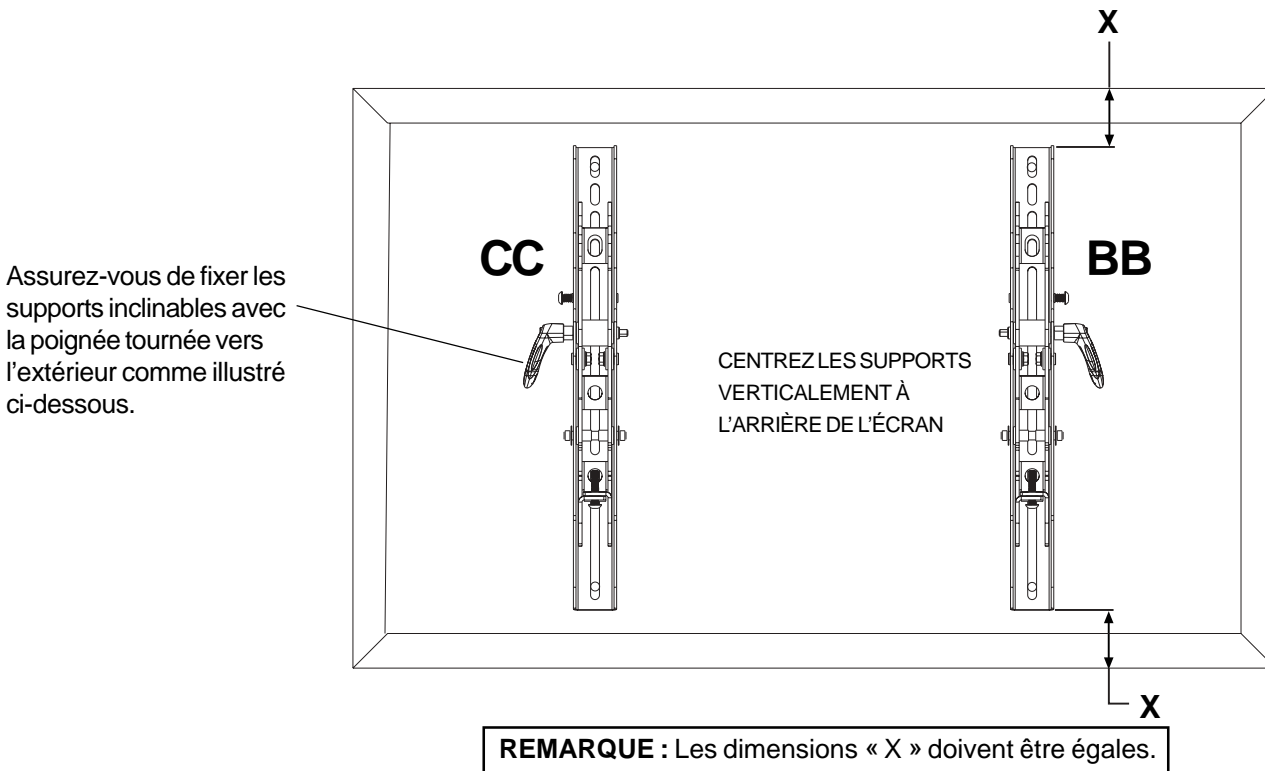
⚠ AVERTISSEMENT

- Serrez les vis de manière que les supports adaptateurs soient solidement fixés. N'employez pas une force excessive pour serrer. Un serrage excessif peut causer des contraintes risquant d'endommager les vis, de réduire considérablement leur pouvoir de maintien et de décoller les têtes des vis. Serrez les vis à un couple maximum de 4,5 Nm (40 po-lb).
- Si les vis ne sont pas enfoncées de trois tours complets dans les inserts ou si elles sont serrées au maximum sans parvenir à maintenir solidement le support, l'écran peut être abîmé ou le produit détérioré.

2 Afin d'éviter de rayer l'écran, posez un morceau de tissu sur une surface plane et de niveau qui peut supporter le poids de l'écran. Déposez l'écran à plat, tourné vers le bas. Si l'écran possède des boutons à l'arrière, enlevez-les pour pouvoir attacher les supports adaptateurs. Placez les supports adaptateurs (**BB** et **CC**) à l'arrière de l'écran, alignez-les sur les trous et centrez-les sur l'arrière de l'écran, comme illustré ci-dessous. Fixez les supports adaptateurs à l'arrière de l'écran à l'aide des vis, rondelles et entretoises appropriées, comme illustré sur la figure 2.1 ou 2.2.

REMARQUE : Les trous supérieurs et inférieurs doivent toujours être utilisés.

Veillez à ce que tous les trous soient bien alignés, puis serrez les vis à l'aide d'un tournevis cruciforme.



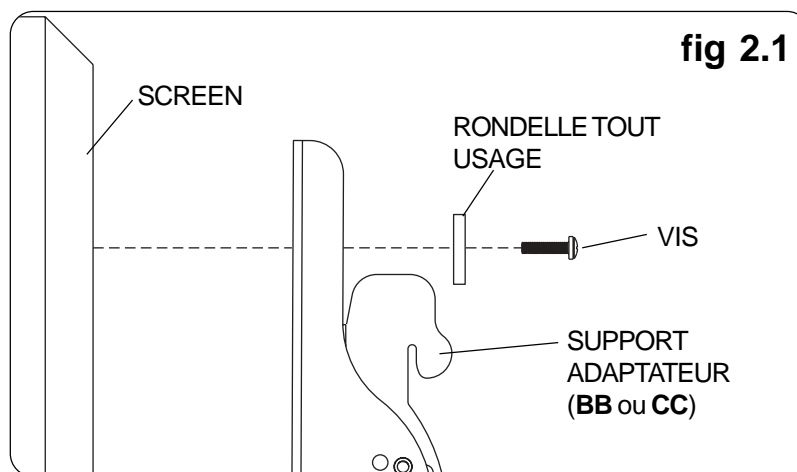
REMARQUE : Pour les écrans à dos plat, exécutez l'étape 2-1. Pour les écrans à dos convexes ou concaves, passez à l'étape 2-2.

Pour les écrans à dos plat

2-1 Le **Tableau de compatibilité avec l'écran** permet de déterminer quelle fixation utiliser. Visitez www.peerlessmounts.com/1 pour obtenir un tableau de compatibilité pour ce support.

Commencez par la vis la plus courte et vissez-la manuellement à l'écran en la faisant passer à travers la rondelle tout usage et le support adaptateur, comme indiqué ci-dessous. La vis doit effectuer au moins trois tours complets dans le trou de fixation et tenir solidement en place. Ne pas trop serrer. S'il est impossible d'effectuer trois tours de vis complets, choisissez une vis plus longue dans le jeu de fixations à compartiments. Répétez pour le reste des trous de fixations, mettez les supports à niveau et resserrez les vis.

REMARQUE : Il n'est pas toujours nécessaire d'utiliser des entretoises, selon le type d'écran.

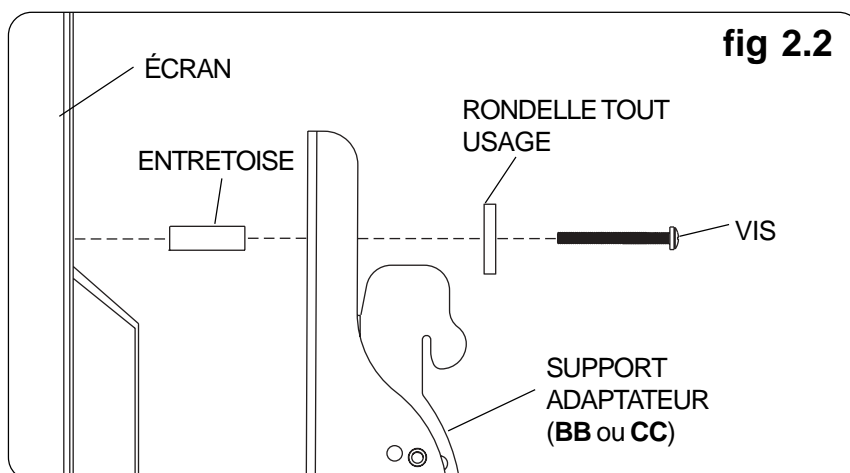


Pour toute question, veuillez appeler le service à la clientèle de Peerless au **1-800-865-2112**.

Pour un écran à dos convexe ou concave

2-2 Le **Tableau de compatibilité avec l'écran** permet de déterminer quelle fixation utiliser. Visitez www.peerlessmounts.com/1 pour obtenir un tableau de compatibilité pour ce support.

Commencez par la vis la plus longue et vissez-la manuellement à l'écran en la faisant passer à travers la rondelle tout usage, le support adaptateur et l'entretoise comme indiqué ci-dessous. La vis doit effectuer au moins trois tours complets dans le trou de fixation et tenir solidement en place. Ne pas trop serrer. S'il est impossible d'effectuer trois tours de vis complets, choisissez une vis plus longue dans le jeu de fixations à compartiments. Répétez pour le reste des trous de fixations, mettez les supports à niveau et resserrez les vis.



Pour toute question, veuillez appeler le service à la clientèle de Peerless au **1-800-865-2112**.

⚠ AVERTISSEMENT

- Pour lever et positionner l'écran plat en toute sécurité, faites-vous toujours aider par une autre personne ou utilisez un dispositif de levage mécanique.
- N'exercez pas une force excessive sur les vis. Un serrage excessif peut endommager le support. Serrez les vis à un couple maximal de 40 po-lb (4,5 Nm).
- Veillez à ne pas vous pincer les doigts lorsque vous poussez l'écran par le bas.

3 **Réglage de la tension de la poignée à cliquet :** Réglez la tension des supports inclinables (**BB** et **CC**) en tournant la poignée à cliquet. **REMARQUE :** Si une obstruction empêche la poignée à cliquet de tourner, retirez la poignée tout en tournant pour la repositionner sans serrer. Relâchez et tournez la poignée pour serrer ou desserrer.

Montage de l'écran : La poignée à cliquet doit être en position relevée ou abaissée pour ne pas créer d'interférence lors de la fixation des supports inclinables à la plaque murale (**AA**). Accrochez lentement les supports inclinables (**BB** et **CC**) sur la plaque murale (**AA**) et faites basculer l'écran vers le bas comme illustré à la fig. 3.1. Les crochets des supports inclinables doivent s'enclencher complètement dans la plaque murale comme illustré dans le détail 1. À l'aide d'un tournevis cruciforme ou d'une clé hexagonale (**FF**), tournez le vis de sûreté/sécurité sur les supports inclinables (**BB** et **CC**) dans le sens horaire jusqu'à ce que l'extrémité de la vis entre bien en contact avec la plaque murale comme illustré dans la vue en coupe.

Réglage de l'écran : L'écran peut être réglé horizontalement en desserrant les vis de sûreté/sécurité sur les supports inclinables (**BB** et **CC**) de trois tours complets. Réglez l'écran comme illustré à la fig. 3.2. Serrez les vis de sûreté/sécurité sur les supports inclinables jusqu'à ce que les extrémités des vis entrent bien en contact avec la plaque murale comme illustré dans la vue en coupe.

Retrait de l'écran : Pour retirer l'écran du support, desserrez les vis de sûreté, faites pivoter l'écran à l'écart du support et soulevez-le.

Réglage de l'inclinaison de l'écran plat

4 Pour les angles d'inclinaison pré-réglés, utilisez la fonction InceLok™ et pour les angles d'inclinaison sur mesure, utilisez la poignée à cliquet.

INCELOK™ : L'écran peut être verrouillé dans une position d'inclinaison pré-réglée de -5, 0, 5, 10 ou 15°. Utilisez le trou de positionnement pour trouver le trou d'inclinaison et inclinez l'écran pour aligner les trous. Serrez les vis de verrouillage de l'inclinaison InceLok™ sur les deux supports inclinables pour verrouiller la position comme illustré dans le détail 2.

Poignée à cliquet : Desserrez la poignée à cliquet (voir l'étape 3 pour le réglage de la tension de la poignée). Poussez ou tirez depuis le haut ou le bas de l'écran pour régler l'inclinaison comme illustré à la figure 4.1. L'inclinaison peut être réglée à un maximum de 15° vers l'avant ou 5° vers l'arrière.

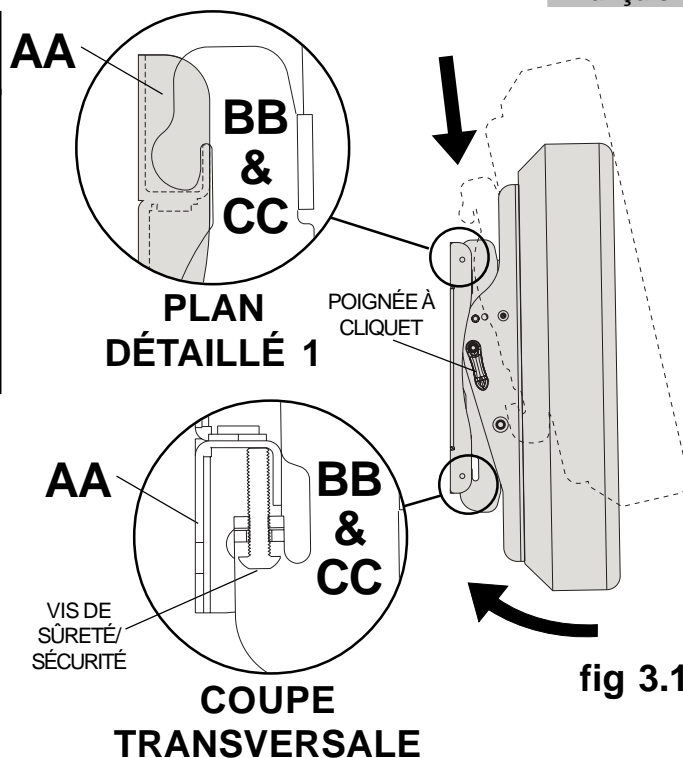


fig 3.1

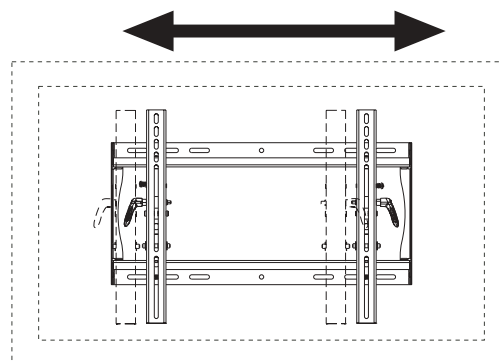


fig 3.2

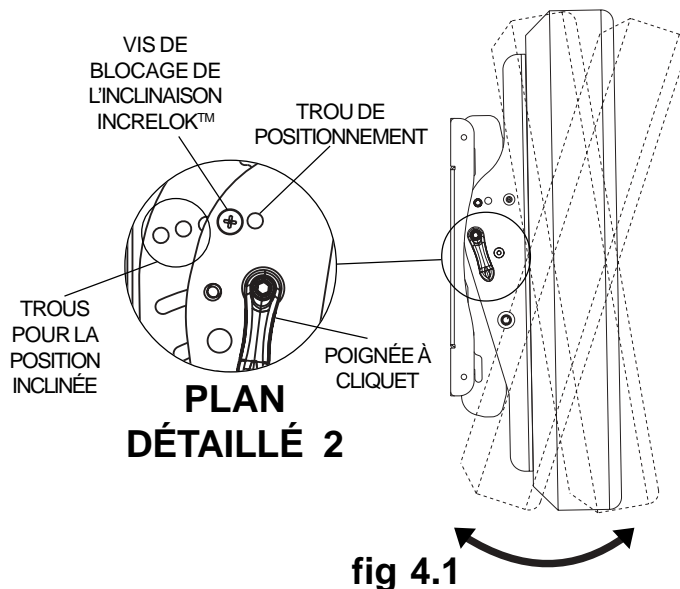


fig 4.1