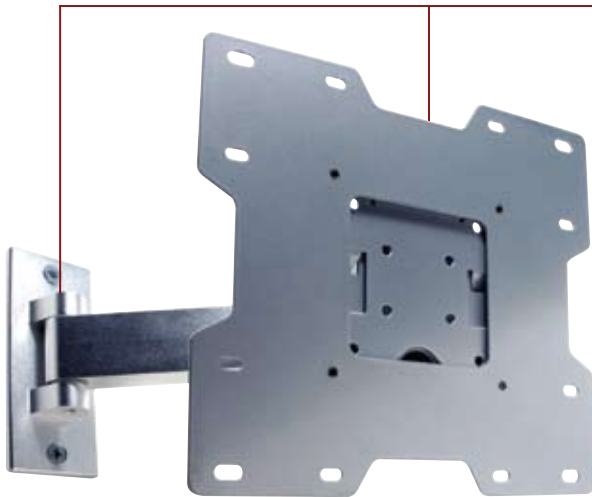
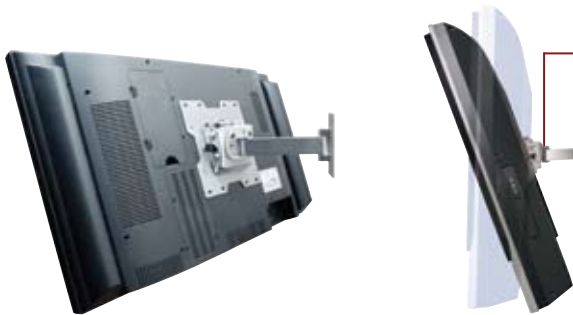


Pivot Wall Mount

For 22" to 40" LCD Screens



- Arm extends up to 10.05" from wall
- Two tensionable pivot points for up to 180° of side-to-side swivel
- One-touch tilt allows adjustment of +15/-5° without the use of tools
- ±5° of roll to level screen horizontally
- VESA® 75, 100, 200 x 100 and 200 x 200 mm compliant
- Non-VESA® adapter plates also available



* Includes standard hardware (hex or Phillips) for attaching screen to mount



MODELS

UNIVERSAL MODELS:

Standard Fasteners*

SP740P
SP740P-S

Black
Silver

SCREEN ADAPTER

UNIVERSAL MODELS:

Includes universal screen adapter to accommodate VESA® 75, 100, 200 x 100 and 200 x 200 mm mounting holes

SPECIFICATIONS

DIMENSIONS: (W x H x D)

8.75"-12.24" x 9.3" x 2.97"-10.05"
(22.21-31 x 23.7 x 7.5-25.5 cm)

TILT: +15/-5°

SWIVEL: ±90°

ROLL: ±5°

MAX LOAD: 80 lb (36.2 kg)

SHIP WEIGHT: 5.5 lb (2.49 kg)

MOUNTING SURFACES: Wood stud, concrete,

cinder block and metal stud

(Metal stud accessory required)



ACCESSORIES

pg#

WSP490(S): Metal Stud Wall Plate..... 151

ACC919: Security Fasteners..... 154

