

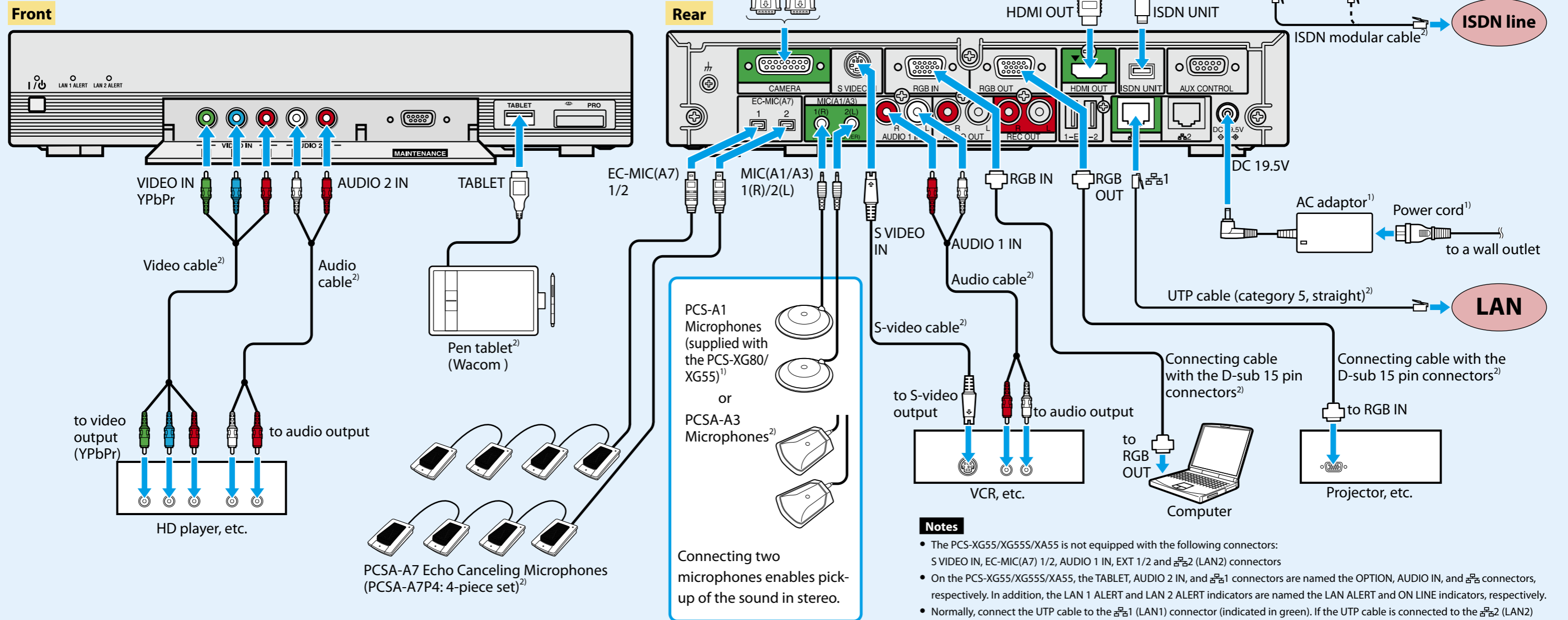
Installation Guide

Let's Connect

Notes

- Be sure to turn off all the equipment before making any connections.
- Do not connect/disconnect the camera cable, interface cable, or pen tablet with the power on. Doing so may damage the Camera Unit, Communication System or ISDN Unit.
- For safety, do not connect the 100BASE-TX/10BASE-T connector to a network that applies excess voltage via the 100BASE-TX/10BASE-T connector.
- **Used with the Camera Unit or ISDN Unit for the first time**, the Communication System may automatically upgrade the software of the connected equipment. Upgrade the software according to the message displayed on the monitor screen. Be sure not to turn off the Communication System or disconnect the cable during upgrading. Otherwise it may cause a malfunction of the system.

- ¹⁾ Supplied
(However, the PCSA-CXG80 HD Camera Unit and the PCS-A1 microphones are not supplied with the PCS-XG80S/XG55S system. The PCS-XG80 is supplied with two PCS-A1 microphones, and the PCS-XG55 is supplied with one. Microphones are not supplied with the PCS-XA80 and the PCS-XA55.)
- ²⁾ Not supplied
- ³⁾ Must support 1080i.



Notes

- The PCS-XG55/XG55S/XA55 is not equipped with the following connectors: S VIDEO IN, EC-MIC(A7) 1/2, AUDIO 1 IN, EXT 1/2 and 2 (LAN2) connectors
- On the PCS-XG55/XG55S/XA55, the TABLET, AUDIO 2 IN, and 2 (LAN2) connectors are named the OPTION, AUDIO IN, and 2 connectors, respectively. In addition, the LAN 1 ALERT and LAN 2 ALERT indicators are named the LAN ALERT and ON LINE indicators, respectively.
- Normally, connect the UTP cable to the 1 (LAN1) connector (indicated in green). If the UTP cable is connected to the 2 (LAN2) connector, some of the functions of your system may be restricted.
For details, refer to the Operating Instructions supplied with the system.
- The REC OUT jack is used to make an audio recording of a communication. This is not used during regular communication.



Pairing the Camera Unit with the Remote Commander

The supplied Remote Commander controls the HD Visual Communication System using the radio frequency of 2.4 GHz. The Remote Commander and the Communication System are paired to prevent interference from other Remote Commanders and Systems. Pairing between the Remote Commander and the Communication System is programmed at the factory. If the Communication System is installed in shielded locations, such as under a desk or in a rack, it may not be controlled by the Remote Commander, depending on the conditions of radio-wave reception. In this case, pair the PCSA-CXG80 HD Camera Unit with the Remote Commander.

Notes

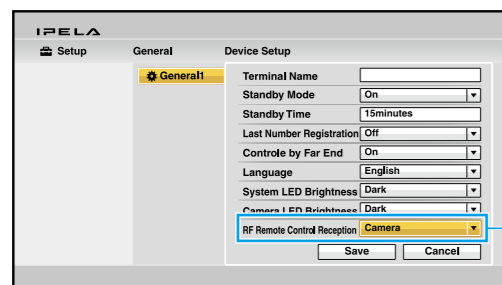
- When performing pairing procedure, be sure to turn off other HD Visual Communication Systems or HD Camera Units located nearby that are not targets for pairing. If multiple devices are turned on, the Remote Commander might pair device other than the target one.
- Pairing is not possible with the PCSA-CXA55 HD Camera Unit.

1 Press the I/⏻ (power) switch on the Communication System to turn it on.



The I/⏻ (power) indicator on the Communication System flashes. The indicator lights in green when the Communication System turns on.

2 Set "RF Remote Control Reception" to "Camera" in the setup menu of the Communication System and save the setting.



Set to "Camera."

For the setting, refer to the Operating Instructions supplied with the System.

3 Within three minutes after the power of the System is turned on, locate the Remote Commander closer to the RF receiver at the rear of the Camera Unit, and press "RETURN" and "TOOLS" at the same time.



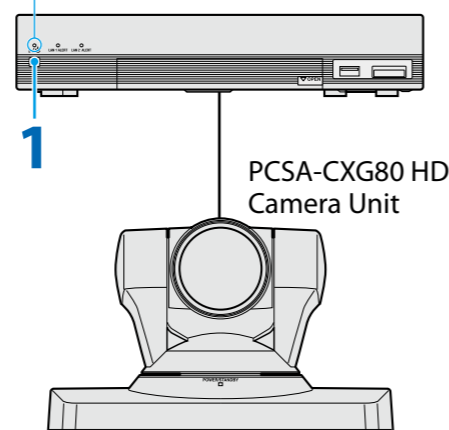
The Remote Commander and the Camera Unit enter pairing mode, and the LED indicator on the Remote Commander flashes rapidly.

4 Press "ENTER."

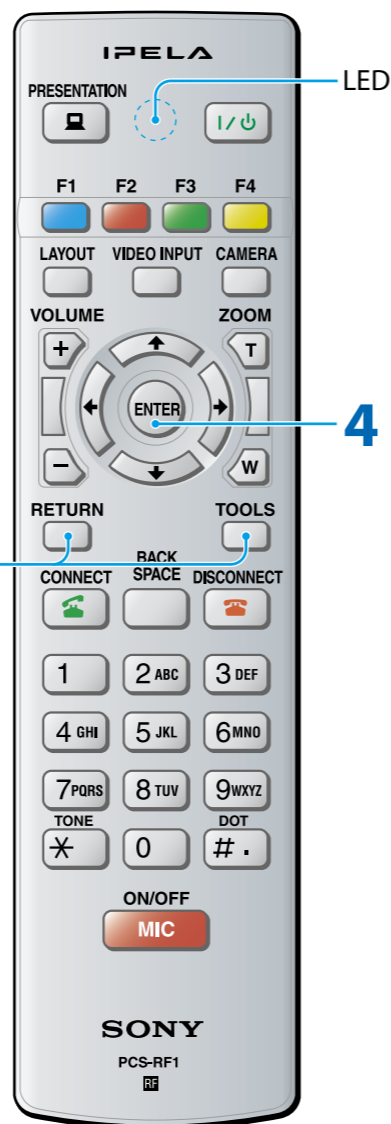


If the LED indicator on the Remote Commander flashes more slowly, pairing the units has succeeded. The pairing between the Communication System and the Remote Commander is disabled.

I/⏻ (power) indicator



PCSA-CXG80 HD Camera Unit



When pairing has failed

The LED indicator on the Remote Commander continues flashing rapidly. In this case, press the ENTER button on the Remote Commander again.

To cancel pairing

Press the I/⏻ (power) switch on the Communication System.

Notes

- When the LED indicator does not flash even if you press any button on the Remote Commander, the batteries might be exhausted. Replace both batteries with new ones.
- Once pairing is established between the units, it will not be erased even if the batteries are replaced.
- Operable distance is 10 m (32.8 ft.). Depending on the circumstances, a longer operable distance may be possible.

To pair the Communication System with the Remote Commander again

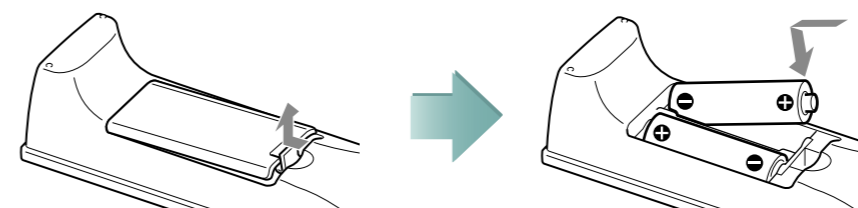
Follow the procedure below to release the pairing with the Camera Unit, and to perform pairing with the System again.

- Turn on the Communication System.
- Set "RF Remote Control Reception" to "System" in the setup menu of the Communication System.
- Within three minutes after the power of the System is turned on, locate the Remote Commander closer to the Communication System, and press "RETURN" and "TOOLS" at the same time. The LED indicator flashes rapidly.
- Press "ENTER."

If the LED indicator flashes more slowly, pairing between the units has succeeded.

Inserting batteries into the Remote Commander

- Press the battery compartment lid to remove the cover.
- Insert two size AA (R6) batteries (supplied) with correct polarities.
- Press the battery compartment lid to remove the cover.



Note

Be sure to insert the batteries ⊖ side first. Inserting them forcibly ⊕ side first may damage the insulated film covering the batteries and cause a short circuit.

Changing the "Monitor Output" or "Frequency" Setting with the Remote Commander

When you change the setting of "Monitor Output" or "Frequency" on the Video setup menu to an incorrect setting, no picture will be displayed on the screen. In such a case, select the correct setting, using the I/⏻ (power) switch on the Communication System and the buttons on the Remote Commander.

To change the "Monitor Output" setting

When the I/⏻ (power) indicator on the Communication System stays lit, perform the steps below.

- Press the I/⏻ (power) switch on the Communication System.
- Within five seconds after you pressed the I/⏻ switch, press the buttons on the Remote Commander described below depending on the desired "Monitor Output."

Desired "Monitor Output"	On the Remote Commander, press:
HDMI	VIDEO INPUT button (once) → Number button 3 (three times)
RGB	VIDEO INPUT button (once) → Number button 4 (three times)
HDMI+RGB	VIDEO INPUT button (once) → Number button 5 (three times)

The setting of "Monitor Output" is changed, and the picture will be displayed on the screen.

To change the "Frequency" setting

When the I/⏻ (power) indicator on the Communication System blinks then stays lit after rebooting, perform the steps below.

- Press the I/⏻ (power) switch on the Communication System.
- Within five seconds after you pressed the I/⏻ switch, press the buttons on the Remote Commander described below depending on the desired "Frequency."

Desired "Frequency"	On the Remote Commander, press:
60 Hz	VIDEO INPUT button (once) → Number button 1 (three times)
50 Hz	VIDEO INPUT button (once) → Number button 2 (three times)

The setting of "Frequency" is changed, and the system will reboot.