



**Raycap**

Small Cell  
Concealment  
Product Guide  
North America

V6



# Table of Contents



About Raycap.....	4
North America Facilities & Capabilities .....	5
Manufacturing Facilities .....	5
Testing & Measurement.....	6
Quality Inspection .....	7
Electrical Safety.....	8
Pole Products .....	9
Fully Concealed Pole Products .....	10
Radio Technology .....	10
Bases.....	11-12
Luminaries & Attachments .....	11-12
Concealed Pole Product Gallery .....	12-14
Foundation. ....	15
Integration Options.....	16
Unique Concealment Solutions .....	17
Pole Mounted Infrastructure	
Invisiwave 5G mmWave Solutions.....	19
Pole Toppers .....	20-24
Apelio Specialized Enclosure Solutions	
Equipment Mounts/Hardware.....	25-27
Complete Side Mount Solutions .....	28
Pole Mounted Enclosures .....	29-40
Power Management Solutions	
Meterbase & AC Disconnects.....	41
Mounting Pedestals with AC Disconnects .....	42-43
AC/DC Combo Power Management .....	44
AC Disconnects .....	45-49
Building & Rooftop Solutions	
Wall Mounted .....	50
Rooftop Solutions & Gallery .....	51
Fiber Management Solutions.....	52-53
Appendix.....	54-55

## About Raycap



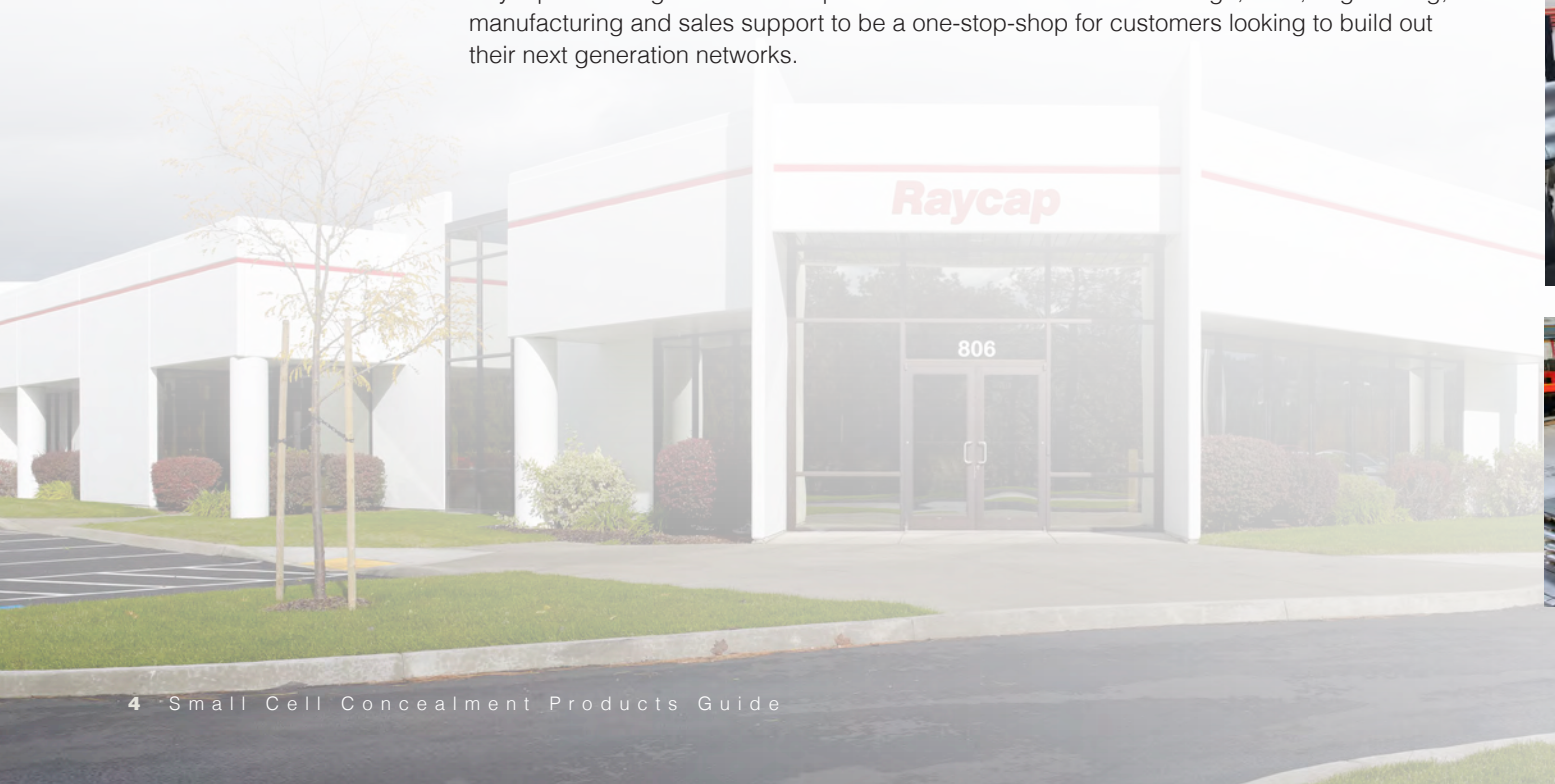
Raycap has a clear vision of the future network, a result of many years of research and development in the telecommunications field and our continuous engagement with the leading companies in our industry including partners, customers, suppliers, current and future stakeholders of the network. We have proven to be a thought-leader in our space, and our edge is in the design of high throughput, high-density and multi-technology passive solutions. We possess a unique capability to turn concepts and innovative ideas into industrialized, cost efficient products quickly, providing realistic solutions and support in any network infrastructure.

Twenty-five years ago, the telecommunications landscape was much different than today – cell phones were larger, smart phones were nonexistent and society was not connected by technology 24 hours a day, seven days a week. The industry has grown immensely with the advancement of new equipment and increased demand from mobile operators for more expanded and hardened networks. The latter necessitates installation of numerous apparatus such as remote radio heads, small cells, antennas and microwave links located even on the street level, which must be concealed.

Raycap acquired STEALTH Concealment in June 2018 and APELIO Innovative Industries in January 2020. Together these companies form cornerstones of Raycap's experience in the wireless concealment industry, creating concealments that are proven to be aesthetically pleasing and RF friendly. STEALTH, located in Charleston, South Carolina USA was the pioneer of the wireless concealment industry and created the first ever RF-transparent concealment system. APELIO Innovative Industries, located in Kearney, New Jersey USA was formed as a telecom and electrical switchgear manufacturer. It brings expertise in radio concealment poles, concealment, mounting and hardware solutions for wood and metal poles and custom equipment enclosures.

Today, as a part of Raycap Inc., the STEALTH concealment product line consists of small cell light poles, rooftop screen walls, cupolas, towers, silos, DAS concealments and many other custom structures, while the APELIO product line represents the industry gold standard in custom equipment mounts, shrouds and custom enclosures for wooden and metal poles for the wireless industry.

Raycap has one goal in mind: to provide our customers the best design, R&D, engineering, manufacturing and sales support to be a one-stop-shop for customers looking to build out their next generation networks.



# Facilities & Capabilities



## North America Manufacturing Facilities

### Post Falls, Idaho

107,000 square foot plant with engineering, product development, manufacturing, assembly and testing facilities.

### North Charleston, South Carolina

215,000 total square foot fabrication and integration facilities with full steel and composite fabrication capabilities plus in house wet paint and powder coat lines.

### Kearny, New Jersey

75,000 square foot plant with engineering, product development, manufacturing, assembly of radio shrouds, antenna mounts, radio concealment light poles, ground furniture and strand mounts.

Our complete in-house design and manufacturing facilities have the capacity to produce more than 1,000 small cell, fully concealed, concealed or non-concealed poles per month. We provide our customers with:

- R&D Expertise
- Product Design
- Electrical and RF Engineering
- Metal Fabrication & Forming
- Cutting
- Welding
- Drilling
- Wet Painting and Powder Coating Lines
- Equipment Integration & Cabling
- Trouble Free Commissioning & Activation
- Warehousing, Crating, Shipping
- Assembly
- RF Testing
- Thermal Testing
- Fiber Optic Testing
- Electrical Testing

Standards and Certification Testing that are used for Raycap's metal manufacturing facilities:

### Steel Fabrication

- AWS D1.1 - Structural Welding Code - Steel
- ASTM A780 - Repair of Damaged and Uncoated Areas of Hot-Dip Galvanized Coatings
- AQL Level II where C=0

### Galvanization

- ASTM A123 - Zinc (Hot-Dip Galvanized) Coatings on Iron and Steel Products

### Powder Coating

- ASTM D523 - Standard Test Method for Specular Gloss
- ASTM D3359 - Standard Test Methods for Rating Adhesion by Tape Test
- ASTM D522 - Standard Test Methods for Mandrel Bend Test of Attached Organic Coatings
- ASTM D3363 - Standard Test Method for Film Hardness by Pencil Test
- ASTM D2794 - Standard Test Method for Resistance of Organic Coatings to the Effects of Rapid Deformation (Impact)
- SSPC-SP1 - Solvent Cleaning
- SSPC-SP2 - Hand Tool Cleaning
- SSPC-SP3 - Power Tool Cleaning





## Testing & Measurement

Raycap conducts measurements for its North American products in an RF (radio-frequency) anechoic chamber at its partner's facilities in San Antonio, Texas. Southwest Research Institute (SwRI) and Raycap have a 10+ year testing history, managing demanding testing requirements. RF propagation through concealment material has been a critical aspect for wireless service providers as concealment should not compromise the signal quality and service level. This is why Raycap has significantly invested in signal generators, network analyzers, beamforming transmitters and PIM analyzers. All results are recorded for every material that is considered for concealment solutions. Raycap has also developed RF propagation models based on measurements for several frequency bands and therefore is in a position to define, with details, the RF performance in any spectrum region.

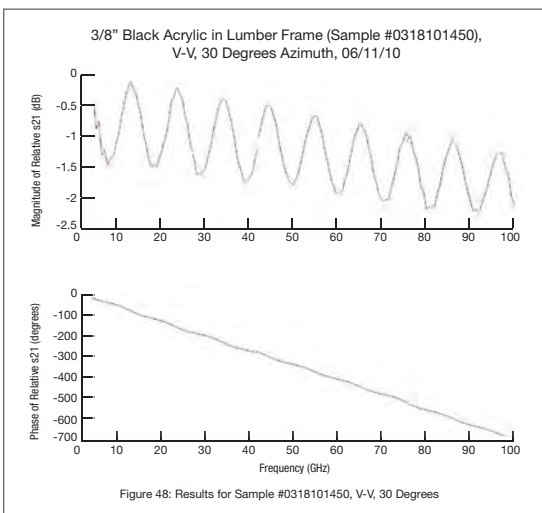


### RF Test Capabilities

Raycap performs a wide range of testing to validate its materials. Using a network analyzer, we measure the complex transmission (i.e., magnitude and phase) over the 700MHz-100GHz range. To cover that frequency range, measurements are done across six frequency bands, using different horn antennas for each band.

Moreover, Raycap conducts more detailed measurements such as:

- Water/rain attenuation
- Proximity and micro-proximity
- Pattern distortion



### Environmental Test Capabilities

- Experience in the field of environmental testing according to UL, NEBS, GR, ISO, EN, MIL, and ASTM standards.
- Project scope for poles defined and initiated with UL, RTP
  - UL Project Number 4788755381
  - Product Category NWGQ
  - UL Certified
- Verification of initial cooling (active – passive) performance simulations and actual measurements for low noise level requirements (below customer specific dBA level).
- Anti-vandalism tests according to DIN ENV 1627
  - RC2/WK2 burglar resistance tests
- Flame propagation testing.

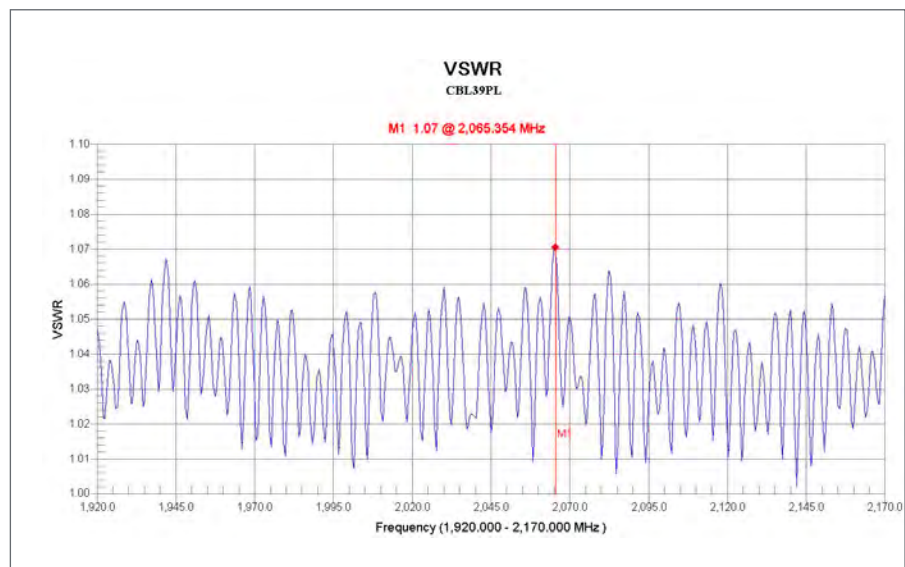
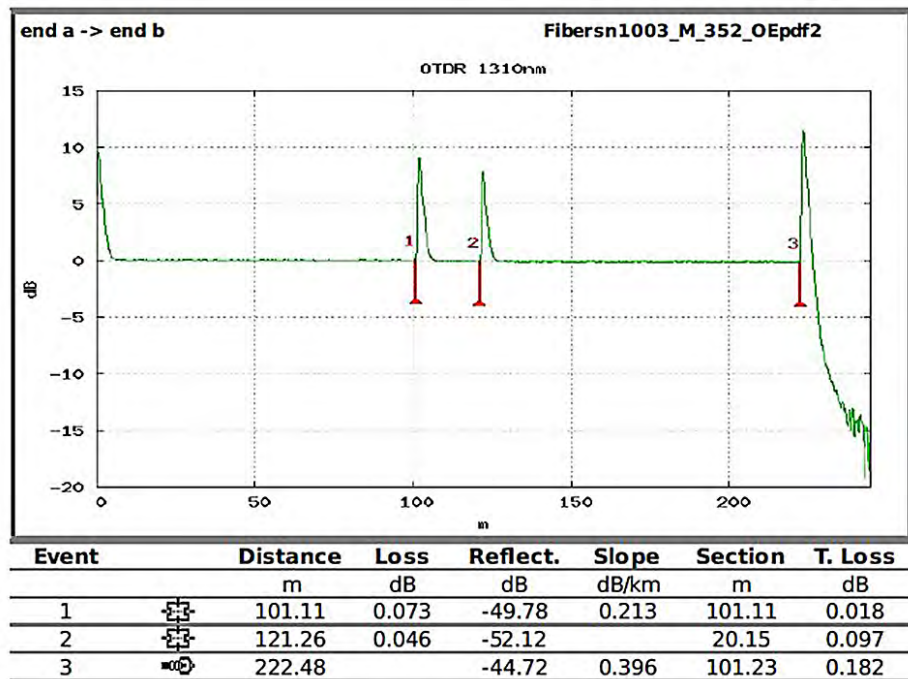




## Quality Inspection

Quality inspection is of fundamental importance before any solution is dispatched. Performing all measurements in a controlled environment guarantees less complications during field installation and minimizes commissioning and activation time. For the integrated poles, we conduct several inspections of every cable line:

- RF quality measurements (VSWR, PIM)
- Fiber-optic quality measurements (OTDR)
- Power quality measurement (continuity, earth leakage, power ON load tests)
- Quality inspection checklist



# Electrical Safety



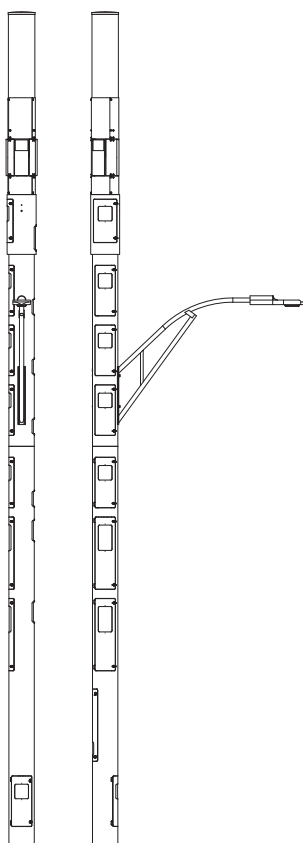
Raycap is committed to stream-lining customer deployments by having obtained a UL certification on its STEALTH “Complete Solution” Small Cell Integrated Poles.

- UL certification program exemplifies Raycap’s strong customer commitment and willingness to bring its Integrated Pole in line with the stringent safety requirements of Underwriter’s Laboratories (UL)
- Raycap’s UL Listed poles include Raycap’s AC Disconnects integrated in the poles. Raycap disconnects are capable of providing up to 12 branch circuits at 120VAC, or 6 branch circuits at 240VAC. These disconnects are also certified to UL67 Panelboards (E479137) and meet the requirements of being Suitable for Service Equipment (SuSE).
- Raycap was the first concealment company to achieve UL certification for a Small Cell Integrated Pole Certification required the construction and assessment of several prototypes of different configurations and working closely with UL experts over an eight-month period.
- The UL mark carries many benefits to customers
  - Assures the product meets applicable requirements related to personal safety performance standards
  - Allows customers and carriers to provide a level of differentiation in their offerings to cities and municipalities to gain quicker acceptance
  - Facilitates approval by local inspectors and AHJs (Authorities Having Jurisdiction)
  - Meets relevant listing requirements per NFPA 70 National Electrical Code
  - Covers a variety of luminaires and pole constructions under the RCP-6X UL Pole Series. RCP-6X UL Pole Series is valid only when including a Raycap AC Disconnect

*The luminaire pole houses a proprietary load distribution center capable of providing up to 12 branch circuits at 120VAC, or 6 branch circuits at 240VAC. This distribution equipment is also certified to UL67 Panelboards (E479137) and meets the requirements of being Suitable for Service Equipment (SuSE).*

*As part of the production line testing required under UL 1598, both a Bonding Circuit Impedance test and a Dielectric Voltage-Withstand test will be performed.*

RCP-6X Line Drawing

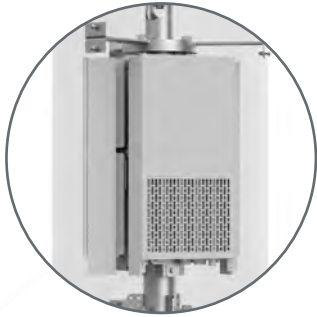




# Pole Products

STEALTH®

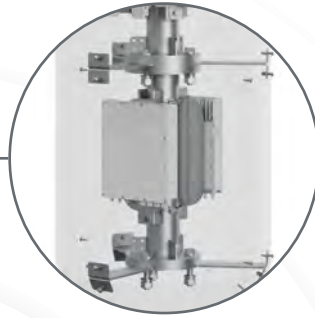
5G Radios  
behind InvisiWave  
Radome



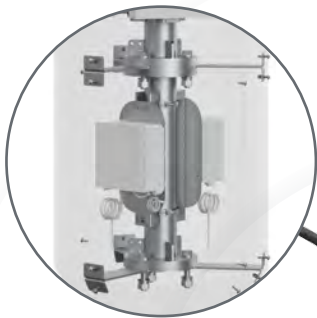
4G Antenna



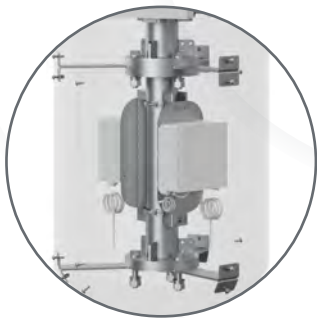
LAA & CBRS  
Radio Shroud



AWS/PCS  
Radios



AWS/PCS  
Radios



Raycap's fully concealed small cell poles are built to meet certain specifications and maintain maximum RF performance. They are designed for flexibility, performance and aesthetics. We offer pole varieties which can be delivered fully integrated, with color options.

A/C Power  
Management



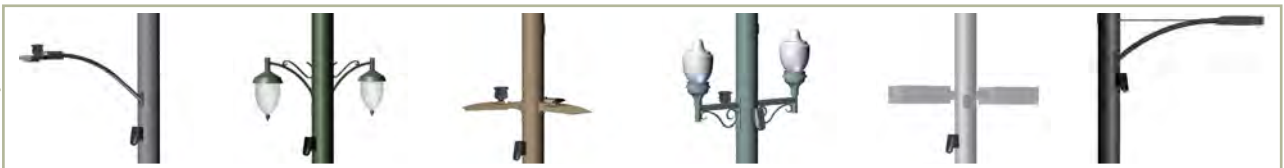
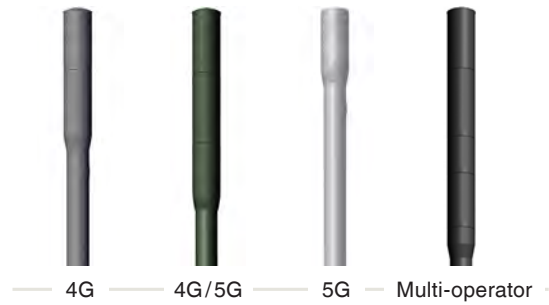
Fiber  
Management



## Fully Concealed Pole Products

### Radio Technology

Raycap's small cell poles are designed to customer specifications, can be delivered fully or partially integrated, and can accommodate all radio technologies.



### Bases

Decorative bases can be installed around existing poles to hold power and fiber distribution equipment, as well as radio equipment.

Structural bases also perform this function, but can also support an existing or new light pole installed on top of the structural base.



*Structural bases are made to replace bases on existing poles*

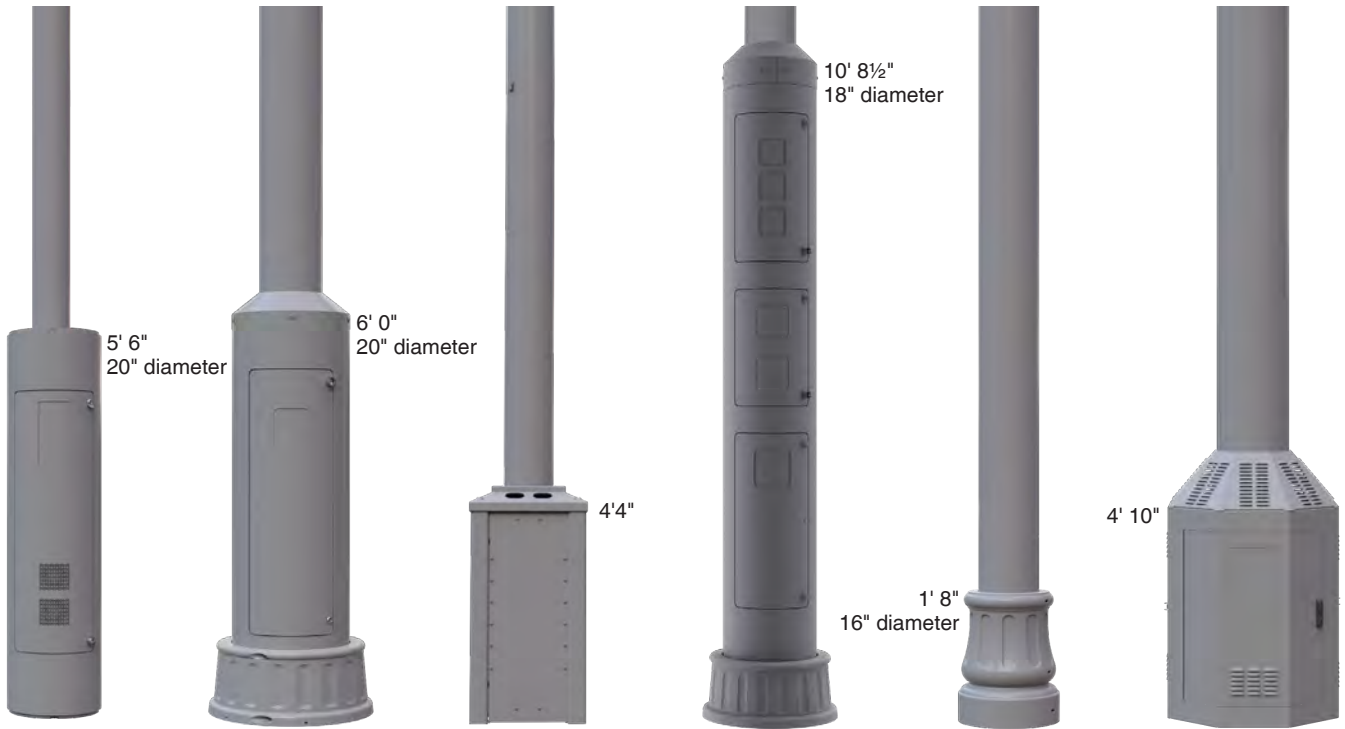
*Decorative bases are available on brand new poles*

### Luminaries & Attachments

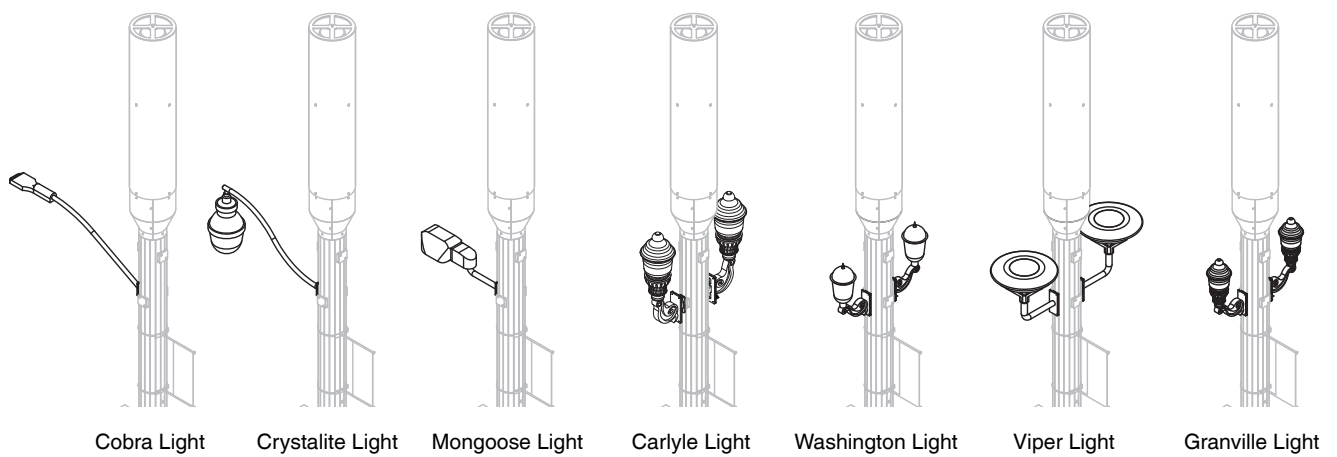
Fully concealed pole solutions can be ordered with optional lighting or attachments to match existing surrounding light poles. Poles can also be engineered to re-use existing luminaires to reduce site costs and lead time.



 Bases



 Luminaries



For powder coat color options, see Appendix on page 55.

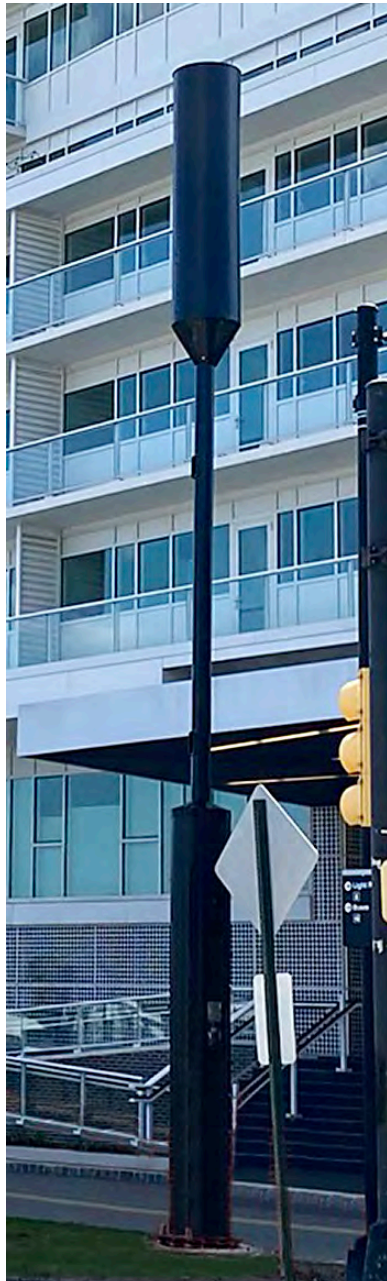


## Concealed Pole Product Gallery

Concealed and non-concealed poles are suitable for situations when full concealment is not necessary.





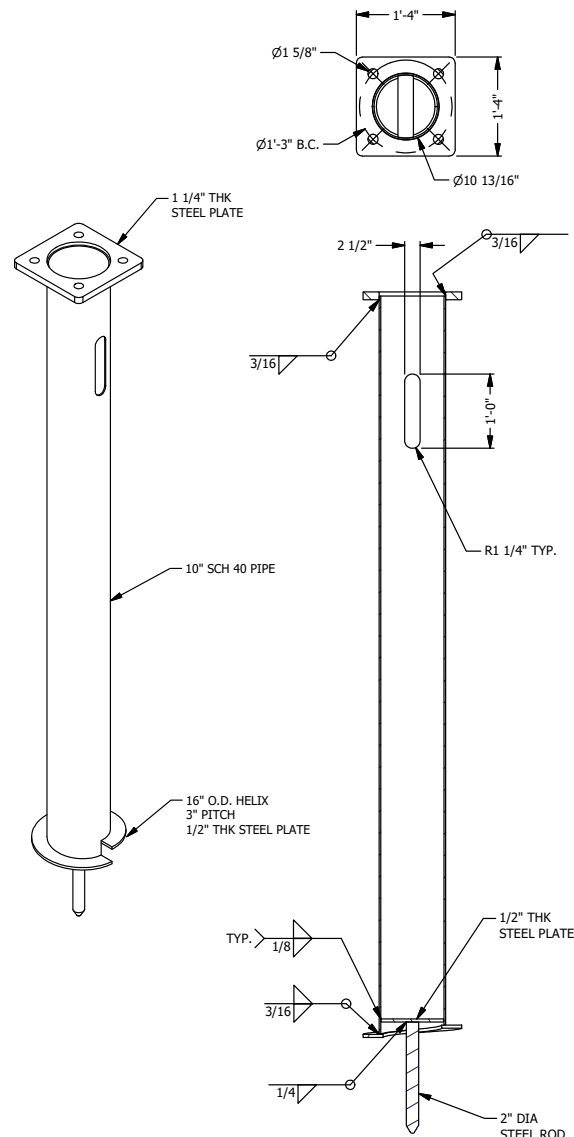
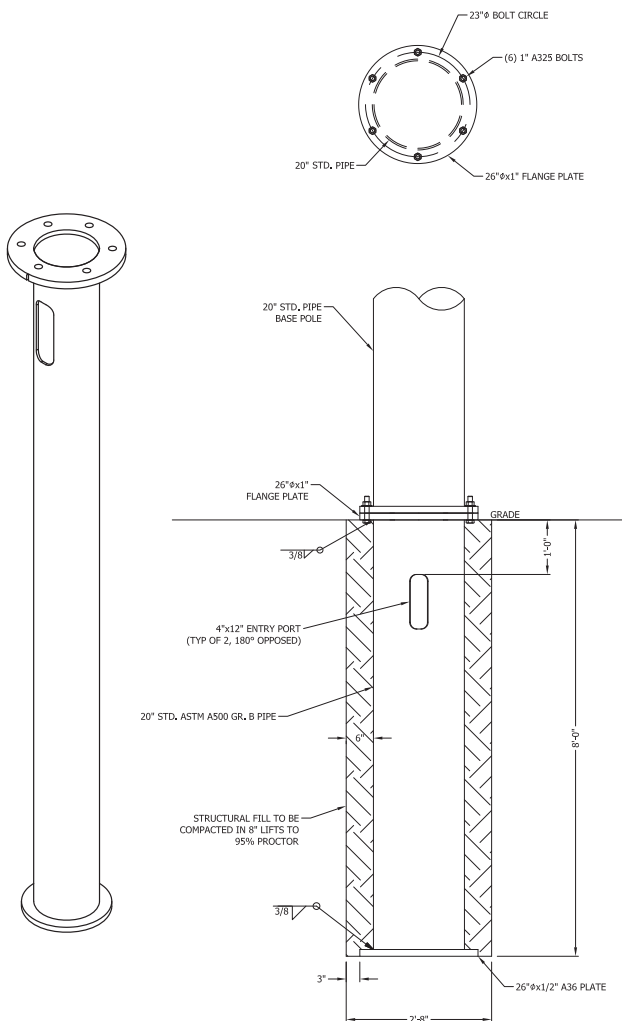
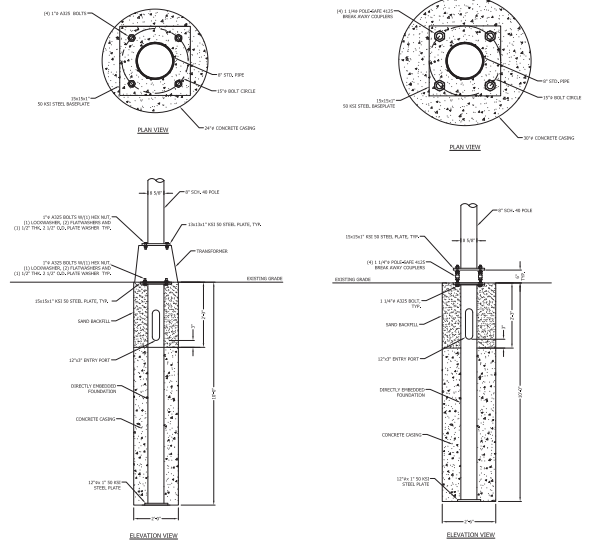
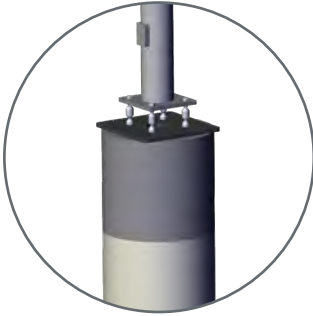


## Optional Pre-fab Foundation

Raycap can provide customers with traditional poured-in-place foundation designs, as well as alternative pre-fabricated foundation options to help expedite deployment.

Options include:

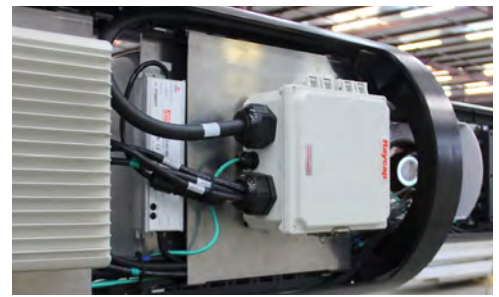
- Direct embedded
- Mechanical/Helical
- Pre-cast
- Break-away mechanisms
- Contact us directly for more information.



## Integration Options

Our broad experience in integration services enables us to help our customers by manufacturing a fully or partially integrated concealed small cell pole product.

Raycap fully integrated concealed small cell poles arrive at a customer's site with cabling, radios, and power/fiber equipment, pre-installed and pre-tested. In the case of fully integrated poles, all that is needed for installation is to set the pole on the foundation, then hook up the feed lines for power and fiber. This is a much faster solution than the traditional method of hiring field crews to install electrical components and run cabling. Taking advantage of Raycap's expertise in integration saves customers time and money.







Raycap has performed extensive research and testing in all suitable frequency ranges to produce its patent-pending InvisiWave® material suitable for the concealment of 5G technologies.

To validate performance and determine the best possible materials for 5G concealment applications, candidate materials are subjected to an array of tests. Ultimately the materials selected are proven to provide exceptional performance in signal transmission, weatherability, and many other important properties. By implementing

designs with InvisiWave apertures in combination with our proprietary SSV or ESSV screen wall panels we are also able to conceal C-band installations effectively. Raycap can provide concealment material solutions for every 5G site configuration, taking into consideration equipment type, climate, and municipal regulations including flammability requirements.

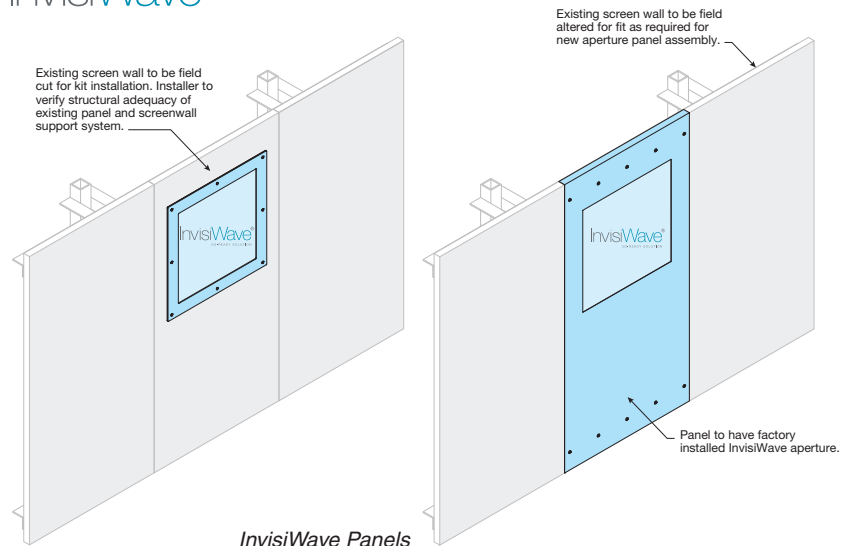
InvisiWave is available for use in pole toppers, surrounds and radomes as well as in panel concealments in chimneys, cupolas, rooftops or macro pole structures. After decades of problem-solving and testing, and with feedback and approval from industry stakeholders, Raycap has continually developed solutions that meet the concealment needs of all telecom providers.

Raycap has a concealment material for every need, and with InvisiWave. *We've Got 5G Covered.™*

*InvisiWave Radomes*



## InvisiWave®

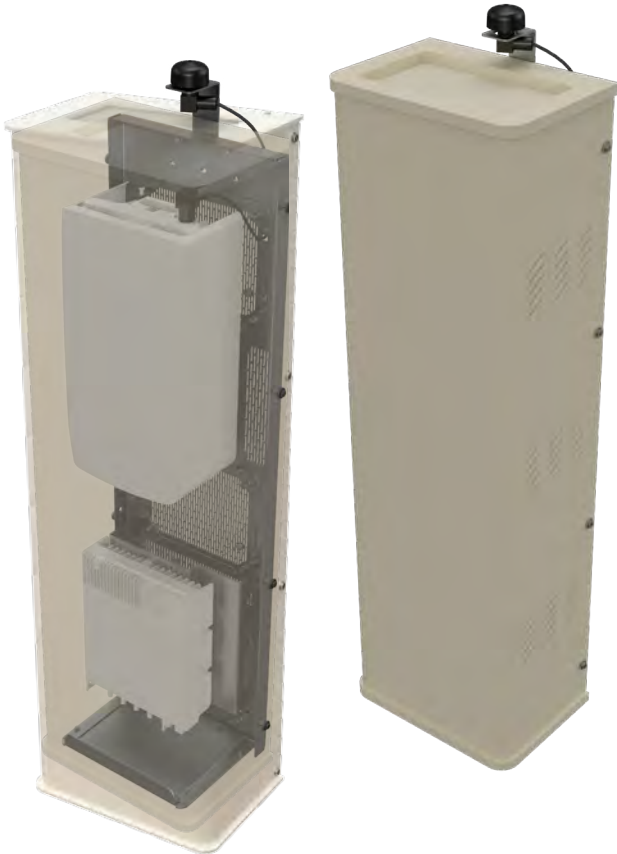


*InvisiWave can be used on new site builds or retrofits. New projects can be designed and manufactured with InvisiWave in the 5G radio location, or used in combination with our SSV or ESSV panels in an aperture configuration as an excellent solution for C-band concealments.*





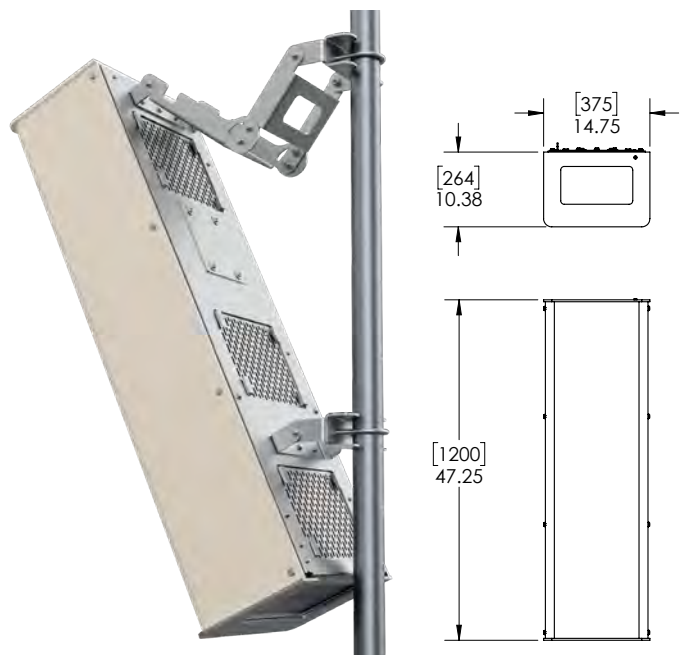
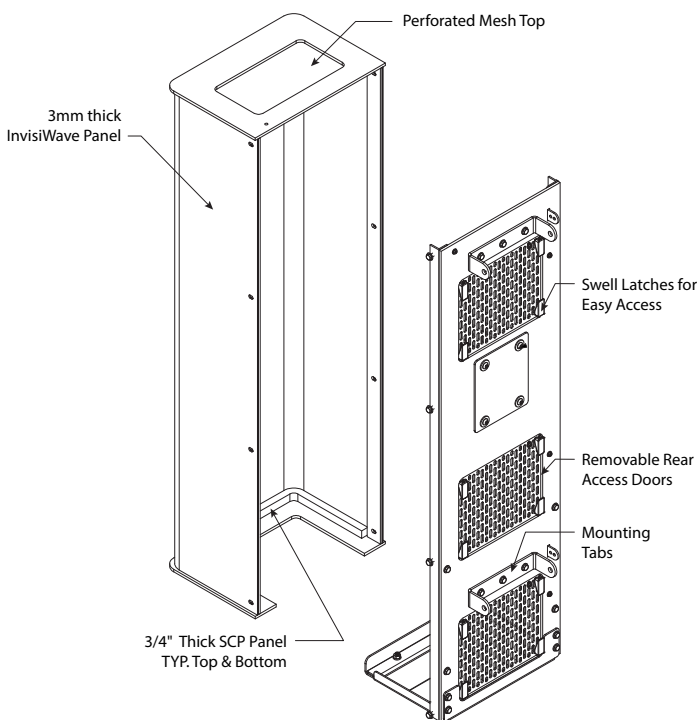
5G mmWave Pole Mounted Solutions



Raycap's exclusive InvisiWave solution for pole mounts is approved for use at mmWave frequencies including 24GHz, 28GHz, and 39GHz, as well as being fully backwards compatible with all commonly used sub-6GHz frequencies.

**RCM-3114-IW**

- Fabricated from RF friendly material
- Tested from low frequencies up to 100GHz
- Suitable to concealing mmWave radios
- Features minimum dB loss
- PIM free tested per IEC 62037-8
- Thoroughly tested to identify beamforming impact
- Hydrophobic surface
- Compatible to back lobe mitigation techniques with use of upgrade kits
- Covers and hides from sight radios attached to poles or other structures without interfering in radio performance
- Easy to install
- Full range of heights and diameters available to meet virtually all concealment applications
- Compatible with 5G radios
- Patent pending design

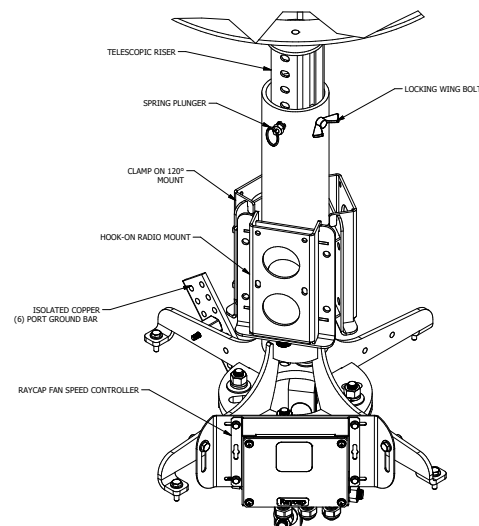
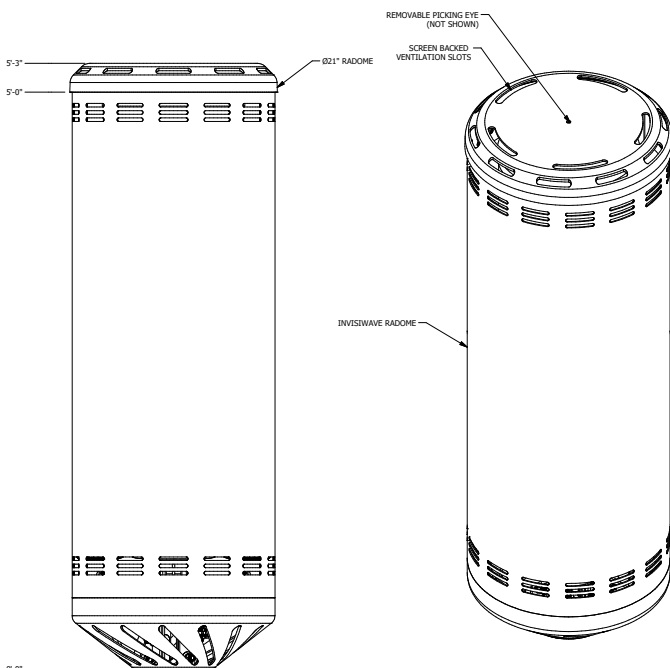




Raycap's exclusive InvisiWave solution for pole mounts is approved for use at mmWave frequencies including 24GHz, 28GHz, and 39GHz, as well as being fully backwards compatible with all commonly used sub-6GHz frequencies.

#### RTR-1044-IW

- DoITT-Approved and compliant design to NYC guidelines
- Fabricated from RF friendly material
- Tested from low frequencies up to 100GHz
- Suitable to concealing mmWave radios
- Features minimum dB loss
- PIM free tested per IEC 62037-8
- Thoroughly tested to validate no beamforming impact
- Hydrophobic surface
- Covers and hides from sight radios attached to poles or other structures without interfering in radio performance
- Easy to install
- Included 5G radio bracket and antenna mount
- Compatible with multiple radio/antenna configurations. Mounts supplied per customer-specified combinations
- Multiple color options available
- Includes pole mounting brackets
- Fans and fan controller included
- Adjustable internal height is configurable to multiple radio/antenna configurations to allow for easy future expansion or equipment swaps



## Pole Mount Solutions

### For Samsung RA AU Radios

Raycap's exclusive InvisiWave solution for pole mounts is approved for use at mmWave frequencies including 24GHz, 28GHz, and 39GHz, as well as being fully backwards compatible with all commonly used sub-6GHz frequencies.

#### REM-5470

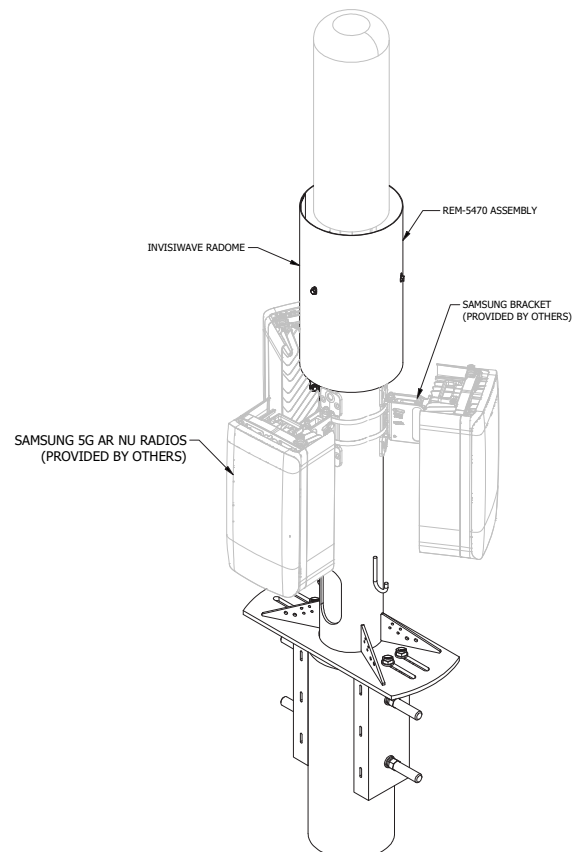
- Complete solution for Samsung 5G NR AU radios
- Through bolted connection style; alternative connection types available for different pole styles
- Accommodates all small cell 4G cannister antennas and Samsung 5G NR AU radios
- Variable pole diameter – Attaches to most common sizes
- All structural steel hot dip galvanized per ASTM A123 with optional powder coated finish to customer color specification
- Optional RCS-5128 antenna cable shroud for 5G radios\*
  - Provides cable concealment and protection
  - Fabrication fit to radio used
- Fabricated from RF friendly mmWave material
- Tested from low frequencies up to 100GHz with minimum dB loss
- Thoroughly tested to validate no beamforming impact
- PIM free tested per IEC 62037-8
- Hydrophobic surface
- Easy to install
- Multiple color options available



RTR-5470



\*RCS-5128  
(optional cable shroud)





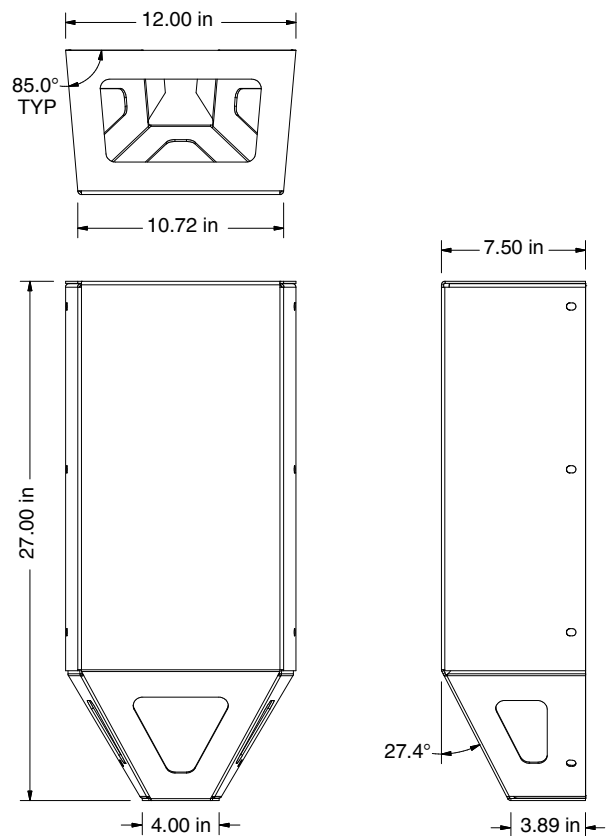
Front View

**RCS-8105-01**

- Specifically designed to conceal radios
- Fabricated from RF friendly material
- Tested from low frequencies up to 100GHz
- Suitable to concealing mmWave radios
- Features minimum dB loss
- PIM free tested per IEC 62037-8
- Thoroughly tested to identify beamforming impact
- Hydrophobic surface
- Covers and hides from sight radios attached to poles or other structures without interfering in radio performance
- Easy to install
- Full range of heights and diameters available to meet virtually all concealment applications
- Compatible with 5G radios
- Patent pending design



Back View

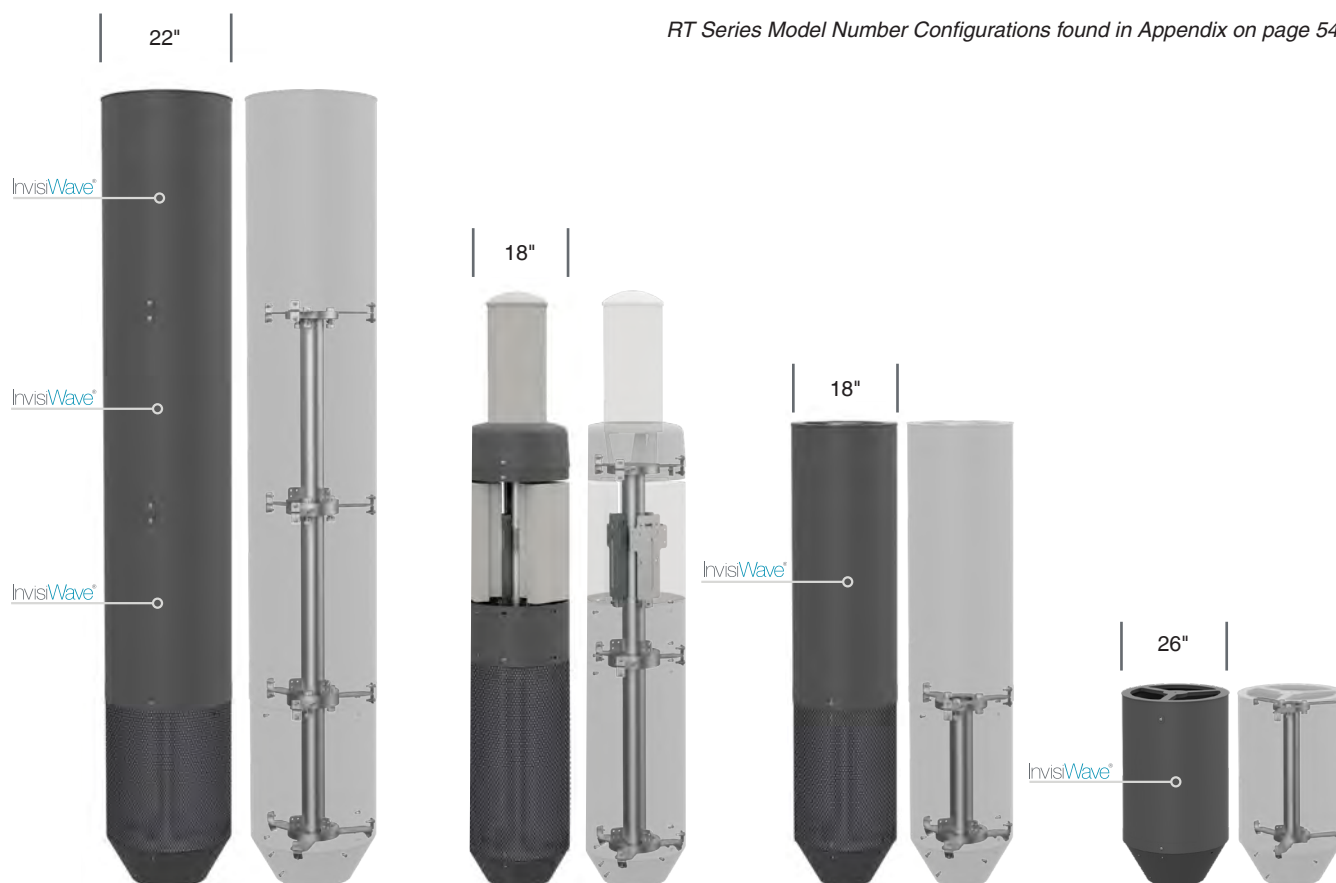


**Pole Toppers**

For Wood or Metal Poles

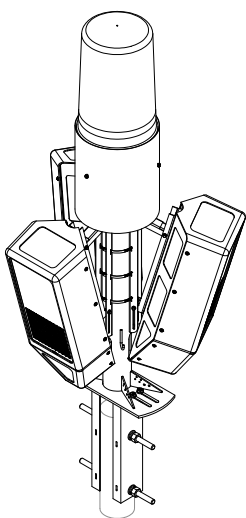
**RT Series**

- This modular system allows ultimate configurability for all technologies. Up to four modules can be stacked together.
- Various degrees of concealment are available.
- Concealment materials include powder-coated perforated steel and proprietary InvisiWave technology.
- Fully concealed versions are available in 22" and 26" diameters.
- Limited downtilt can be achieved within the 26" diameter version.
- A thin profile (18" diameter) version is available when partial concealment is desired.
- Active cooling is available depending on equipment configuration.
- Can be ordered in various colors to blend in with the surrounding environment.
- All structural steel hot dip galvanized per ASTM A123 with optional powder coated finish to customer color specification.
- Adaptive Pole Mounts for wood and metal poles can fit a range of 6-16" OD poles and be through bolted or strapped
- 120 mph max – approved for majority of non-coastal regions
- Optional leveling add on for poles not plumb
- Coastal and seismic regions require additional engineering.

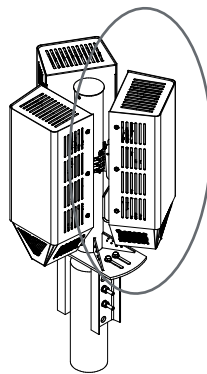


## For Wood or Metal Poles

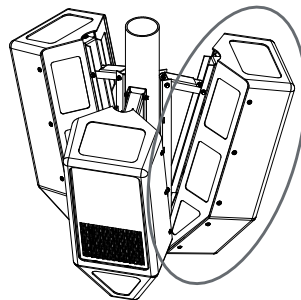
- Complete solution for 5G radios and 4G cannister antenna; options available for CBRS and LAA radios
- Through bolted connection style; alternative connection types available for different pole styles
- Accommodates all small cell 4G cannister antennas and 5G OEM Radios
- Variable pole diameter – Attaches to most common sizes
- All structural steel hot dip galvanized per ASTM A123 with optional powder coated finish to customer color specification
- Optional 5G radio composite decorative surround (shown on RTR-8221)
- Optional RCS-7659 cable shroud concealment\*



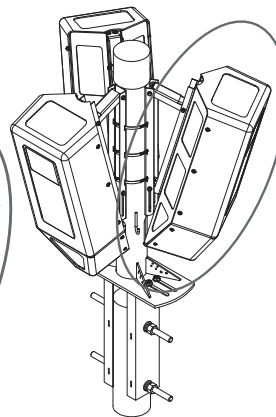
**RTR-8222**  
Pole topper with partially concealed decorative parts for Nokia AExB radios and a canister antenna up to 4' x 20" OD



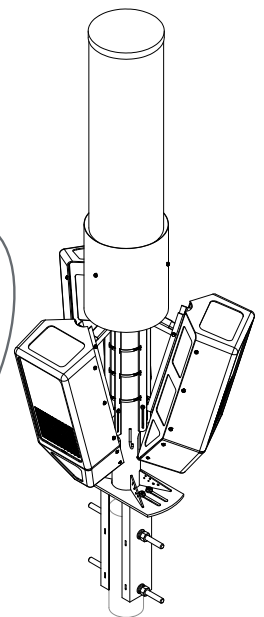
**REM-9812**  
Concealment shroud and bracket for (1) Nokia AExB radio



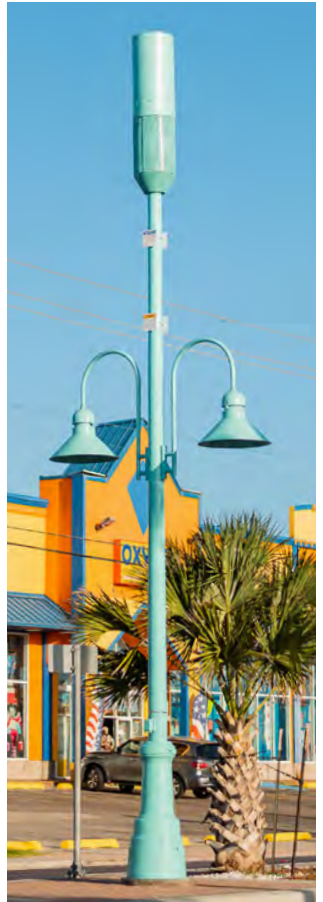
**RCM-5724**  
Concealment shroud and bracket for (1) Nokia AExB Radio



**REM-4551**  
Concealment shroud and bracket for (1) Ericsson 6701 Radio



**RTR-8223**  
Pole topper with partially concealed decorative parts for Nokia AExB a canister antenna up to 4' x 20" OD





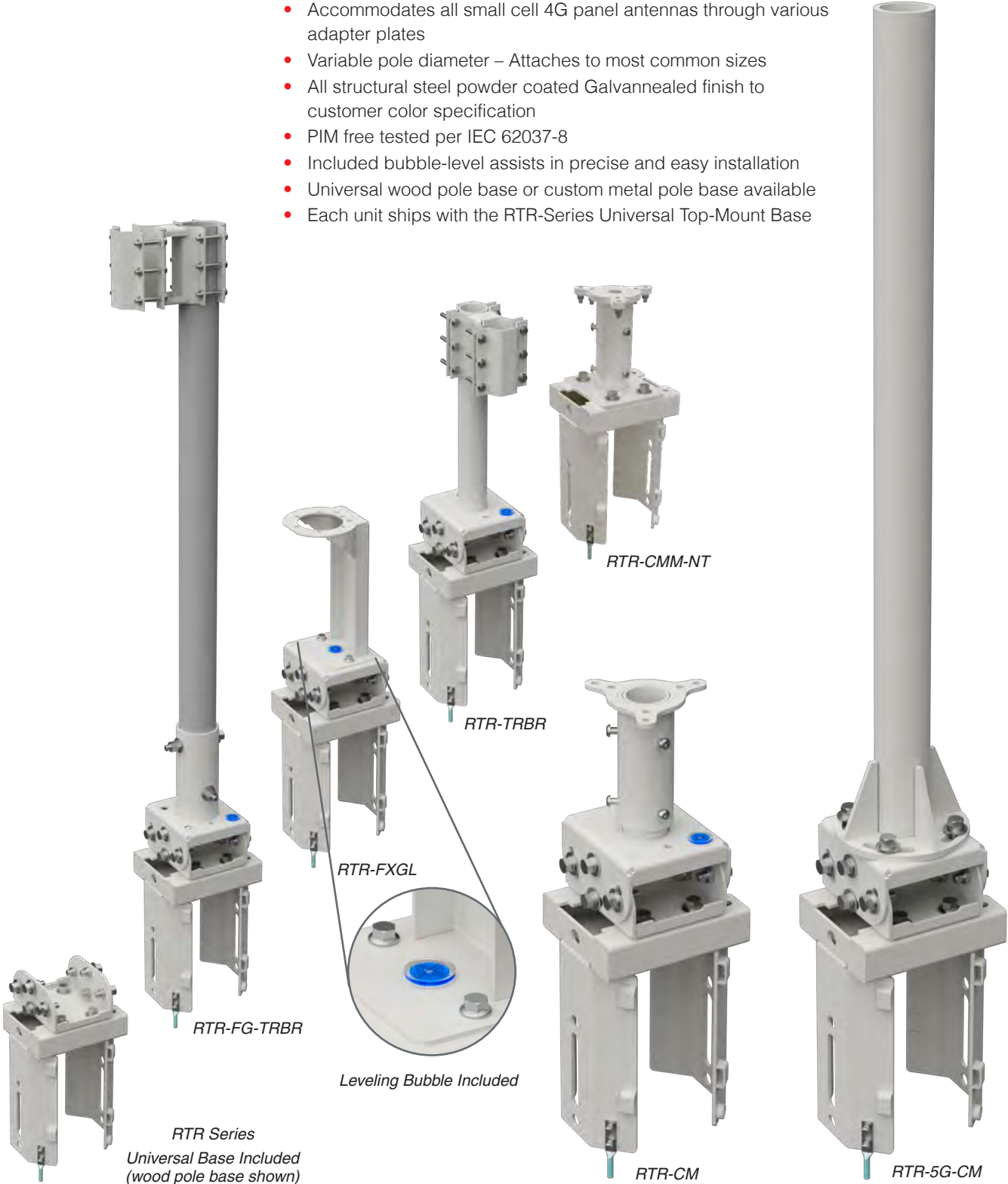


Equipment Mounts/Hardware

4G+5G Wood Pole Top-Mount Solutions

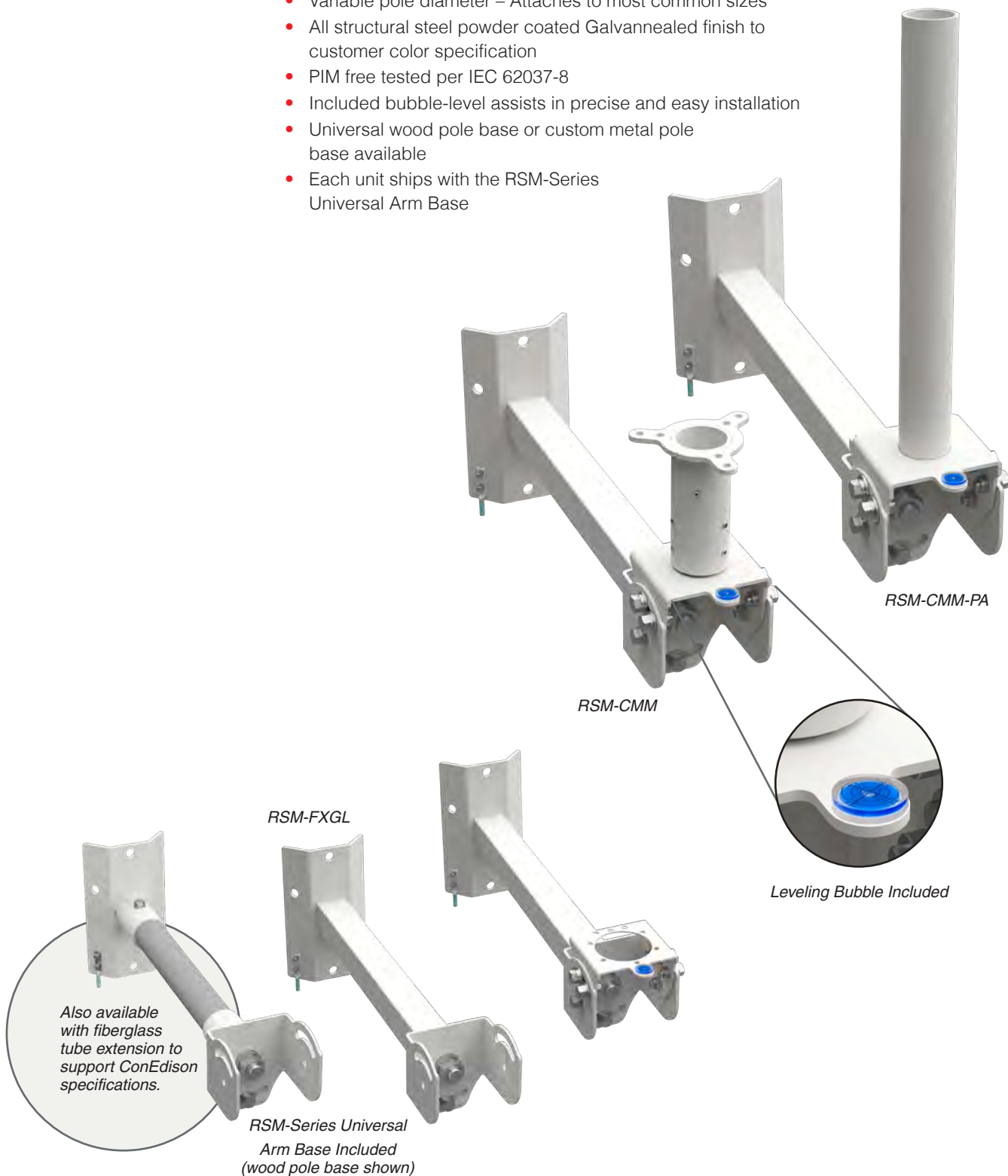
RTR Series

- Accommodates all small cell 4G panel antennas through various adapter plates
- Variable pole diameter – Attaches to most common sizes
- All structural steel powder coated Galvannealed finish to customer color specification
- PIM free tested per IEC 62037-8
- Included bubble-level assists in precise and easy installation
- Universal wood pole base or custom metal pole base available
- Each unit ships with the RTR-Series Universal Top-Mount Base



### 4G+5G Wood Pole Side-Mount Solutions

- Accommodates all small cell 4G panel antennas through various adapter plates
- Variable pole diameter – Attaches to most common sizes
- All structural steel powder coated Galvannealed finish to customer color specification
- PIM free tested per IEC 62037-8
- Included bubble-level assists in precise and easy installation
- Universal wood pole base or custom metal pole base available
- Each unit ships with the RSM-Series Universal Arm Base



Also available with fiberglass tube extension to support ConEdison specifications.

RSM-Series Universal Arm Base Included (wood pole base shown)

Leveling Bubble Included

5G Mount Solutions

- Accommodates all 5G mmWave radios or small cell 4G panel antennas
- Variable pole diameter – Attaches to most common sizes
- All structural steel hot dip galvanized per ASTM A123 with optional powder coated finish to customer color specification
- Many options for radio configurations and downtilt



**REM-4032**  
Through bolted connection style



**REM-7136**  
Through bolted connection style



**REM-7137**  
Through bolted connection style



**REM-4046**  
Through bolted connection style



**REM-8220**  
Banded connection style



**REM-8224\***  
Adjustable bolted clamp-on attachment



**BRK-4540**  
Antenna Mount  
Designed to allow radio  
downtilt for up to 25 degrees

Radios supported:  
Nokia AExB, AExD, ASOD; Ericsson 6701;  
Samsung AT1K01, AT1K02, HT5H01,  
RT4401, RT2201, LAA RRH, CBRS RRH



**REM-8359**  
Through bolted connection style



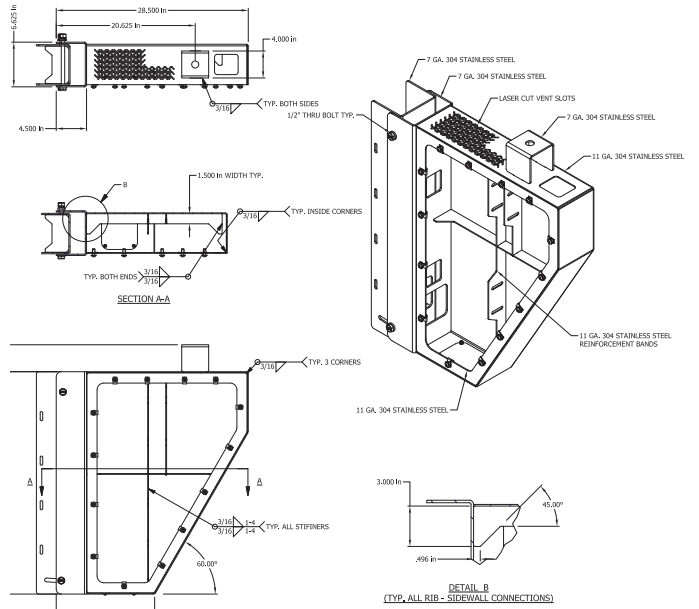
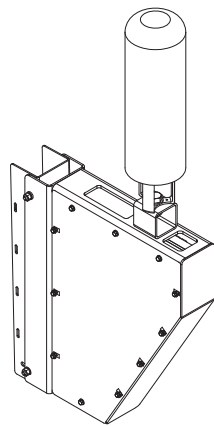
**REM-4204\***  
Optional cable concealment shroud

\*Size/dimensions are based on customer project specifications

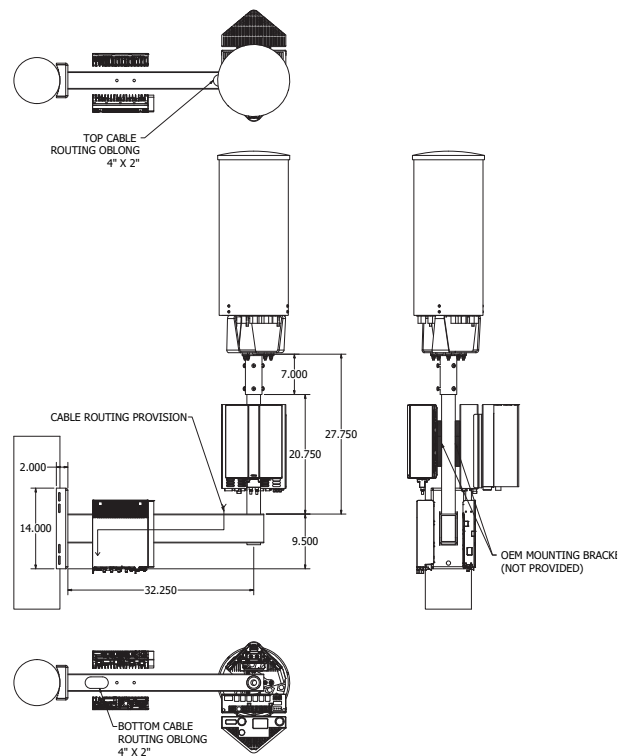
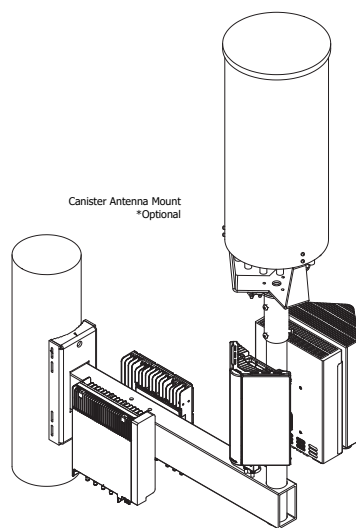


Complete Side-Mount Solutions

REM-1348



REM-3099





## Pole Mounted Enclosures

### DoITT 4G & 5G Shrouds & Side Mounted Cages

Raycap's RCM-2093 Apelio 4G shroud was designed specifically for the NYC metro area. In some locations installation on the ground is not possible. Whether due to lack of space, permit restrictions or even a costly installation of power and/or fiber cables for the connectivity, this scenario requires the installation of active equipment (antennas and connectivity enclosures) on or at the side of an existing structure. Raycap has developed several side mounted solutions for existing light poles as well as additional wall mounted solutions. Raycap has several single and multi-carrier configurations successfully deployed throughout NYC.



Front View



Internal View



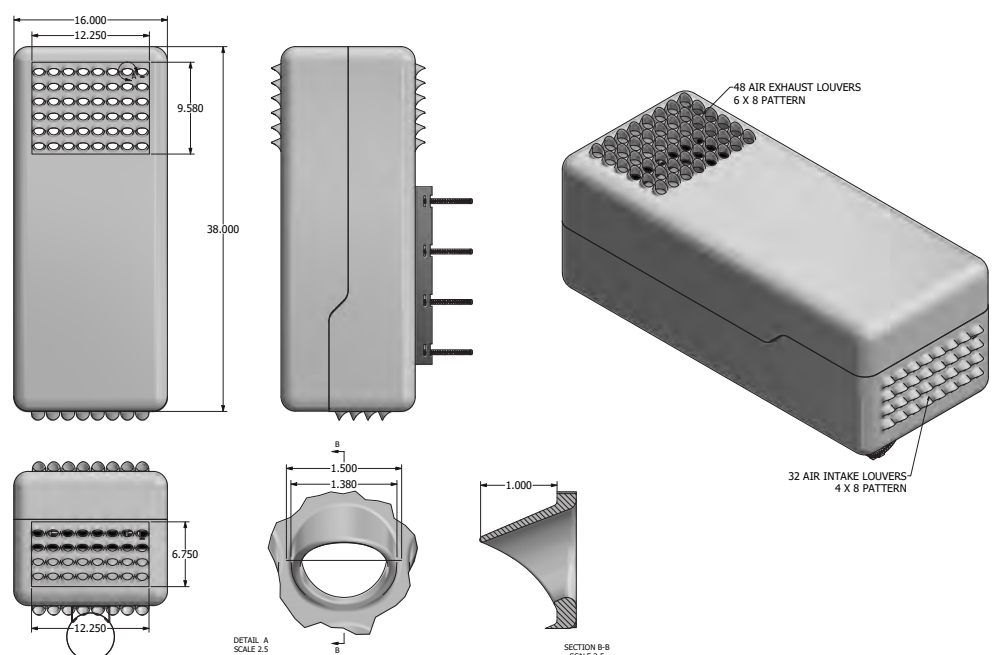
Bracket View

#### RCM-2093

- Compatible design to NYC guidelines
- Can support single or multi-carrier configurations
- Every configuration is accessed for thermal management
- Full in-house integration
- Computerized material tracking system tracks carrier's supplied components from their warehouse to our manufacturing/assembly facility to installation site
- Improved intake louver design enables better circulation
- UL Certified assembly
- PIM free tested per IEC 62037-8
- Easy installation
- Fabricated from RF friendly material
- Multiple color variations available
- Made in the USA

#### Components

- Power and fiber management modules



## DoITT 4G Shrouds & Side Mounted Cages

In some locations installation on the ground is not possible. Whether due to lack of space, permit restrictions or even a costly installation of power and/or fiber cables for the connectivity, this scenario requires the installation of active equipment (antennas and connectivity enclosures) on or at the side of an existing structure. We have developed several side mounted solutions for existing light poles as well as additional approaches that can be wall mounted.

### DoITT 4G Shrouds

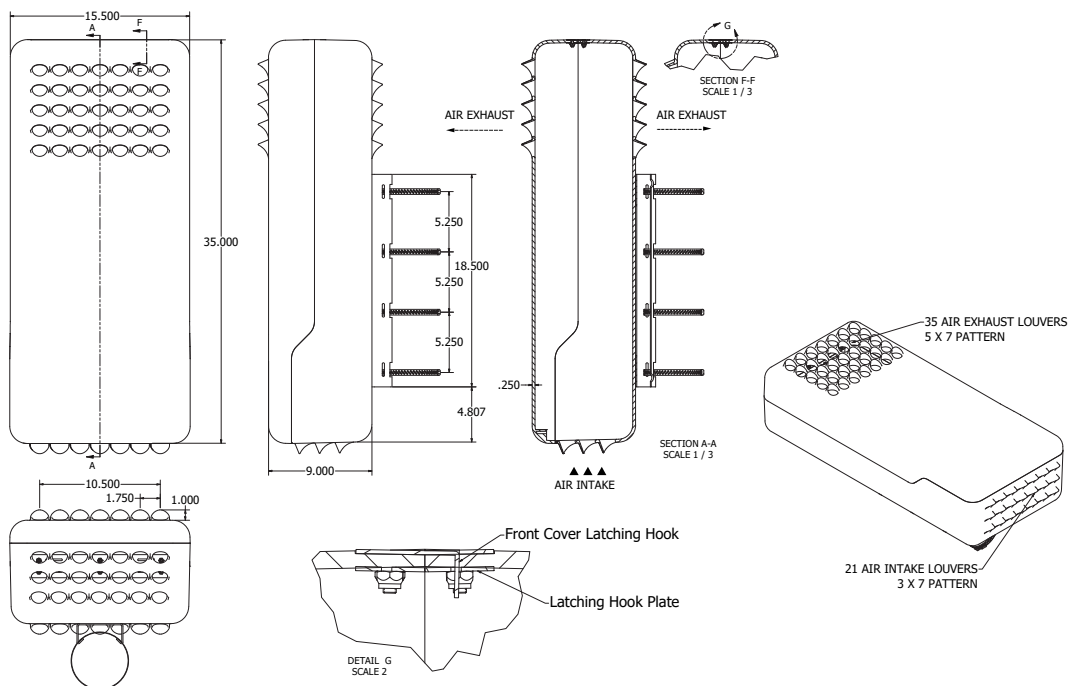
- Larger internal space due to lack of inner flanges (increases internal space for more equipment installations)
- Better air circulation due to improved design to intake louvers (outcomes: fans won't run as hard which reduces noise levels)
- Dimension consistency due to injection molding processes (won't deform much when gets hotter)
- High grade ASA plastic material
- Metal locking system provides stronger connection between base and cover
- Available in a full spectrum of colors to fit any application
- Made in the USA



Mounting bracket included

### Components

- Supports various configurations



DoITT 5G Shroud

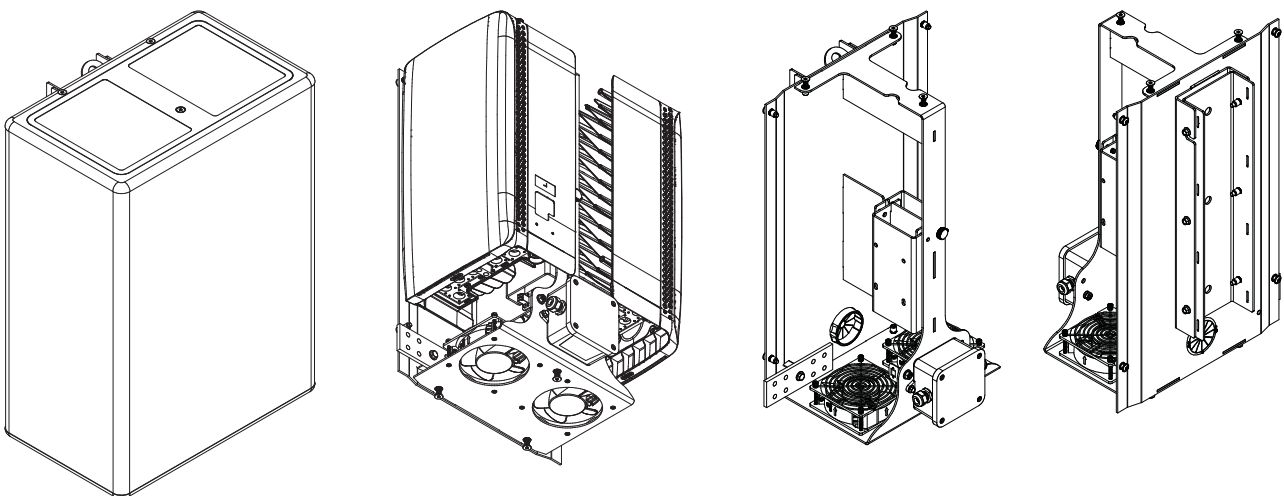


**RSE-21212**

- Ergonomic design for easy radio installation and replacement
- Cover with InvisiWave mmWave friendly material
- InvisiWave is tested per UL 746C, meets requirements of an f1 rated material, suitable for outdoor use
- Entire solutions thermally tested according to GR-487
- Includes fiber and power management
- Offset bracket to minimize signal blockage

**Components**

- Supports various configurations





*RSCAC-1018-1*

**RSCAC-1018 Series**

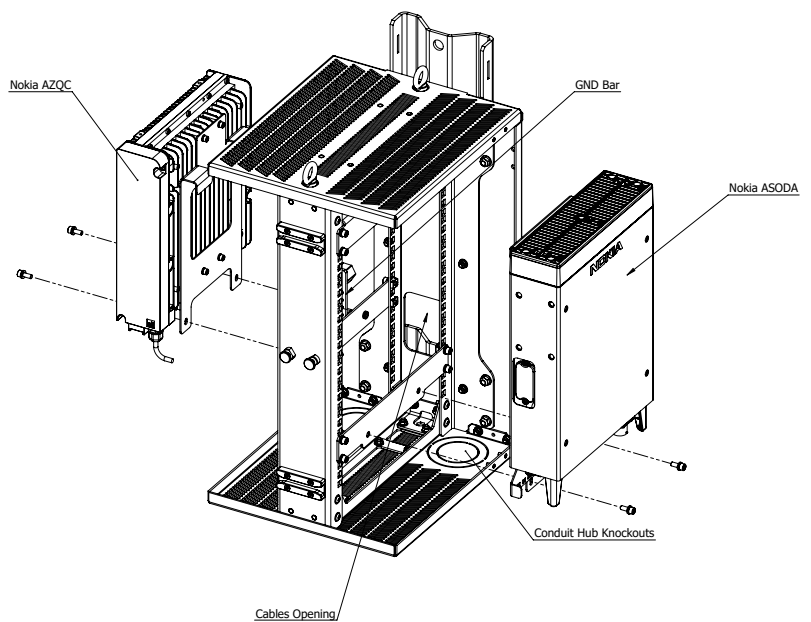
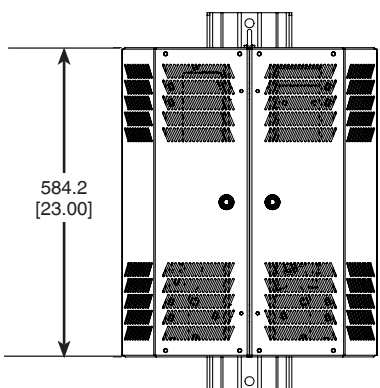
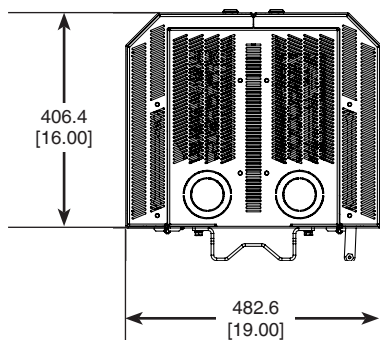
- Shroud utilizes passive vented design
- Door access design allows easy access
  - Belcore 216 quarter turn door latches
- Pole mount brackets (included)
  - Allows (3) 1/2" bolts through wooden pole (customer supplied)
  - Banding slots for metal poles
- Construction
  - Aluminum shroud
  - Stainless steel mast supports
- Multiple color finishes available

**Cabinet Components**

- Internal equipment support brackets
- Active ventilation system (If applicable)
- Alarm sensors
- Cable routing fixtures
- Pole mounting kit

**Additional equipment that can be provided and pre-installed**

- AC disconnect
- Fiber-optic termination enclosure
- AC/DC power solutions (All-in-One)



*Multiple Power and Fiber Configurations Available*





RSCAC-1018-2

**RSCAC-1018 Series**

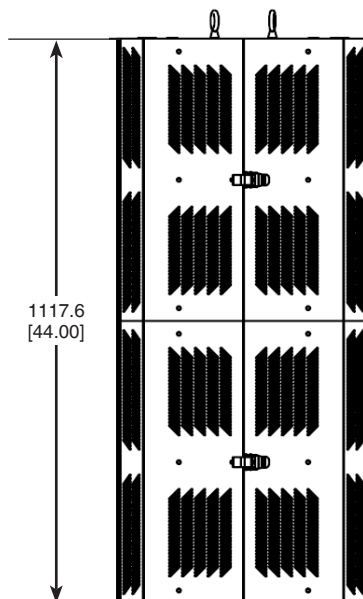
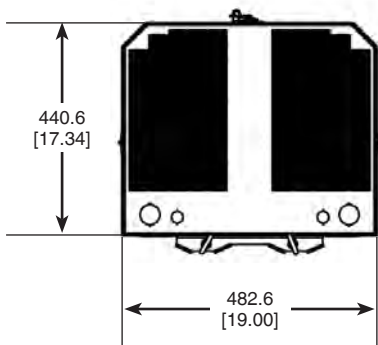
- Shroud utilizes passive vented design
- Door access design allows easy access
  - Belcore 216 quarter turn door latches
- Pole mount brackets (included)
  - Allows (3) 1/2" bolts through wooden pole (customer supplied)
  - Banding slots for metal poles
- Construction
  - Aluminum shroud
  - Stainless steel mast supports
- Multiple color finishes available

**Cabinet Components**

- Internal equipment support brackets
- Active ventilation system (If applicable)
- Alarm sensors
- Cable routing fixtures
- Pole mounting kit

**Additional equipment that can be provided and pre-installed**

- AC disconnect
- Fiber-optic termination enclosure
- AC/DC power solutions (All-in-One)





RSCAC-1018-34

**RSCAC-1018 Series**

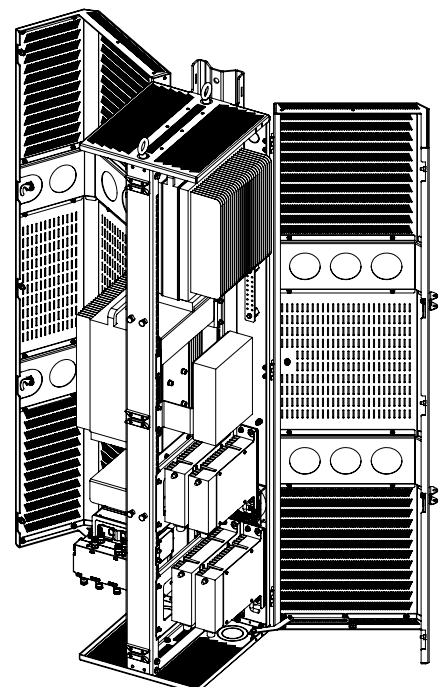
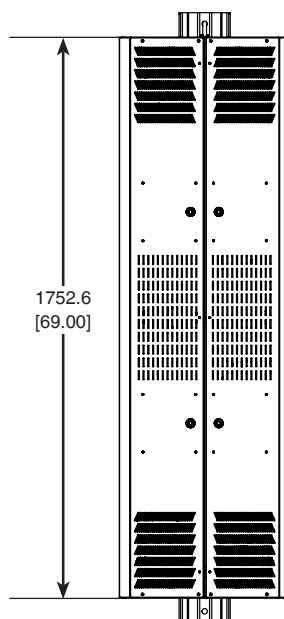
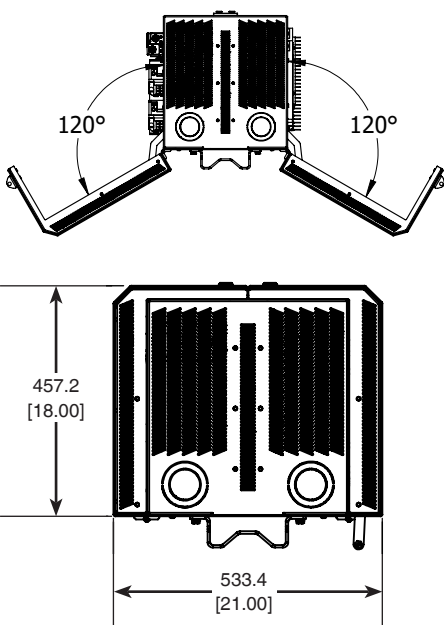
- Shroud utilizes passive vented design
- Door access design allows easy access
  - Belcore 216 quarter turn door latches
- Pole mount brackets (included)
  - Allows (3) 1/2" bolts through wooden pole (customer supplied)
  - Banding slots for metal poles
- Construction
  - Aluminum shroud
  - Stainless steel mast supports
- Multiple color finishes available

**Cabinet Components**

- Internal equipment support brackets
- Active ventilation system (If applicable)
- Alarm sensors
- Cable routing fixtures
- Pole mounting kit

**Additional equipment that can be provided and pre-installed**

- AC disconnect
- Fiber-optic termination enclosure
- AC/DC power solutions (All-in-One)





RSCAC-1018-32

**RSCAC-1018 Series**

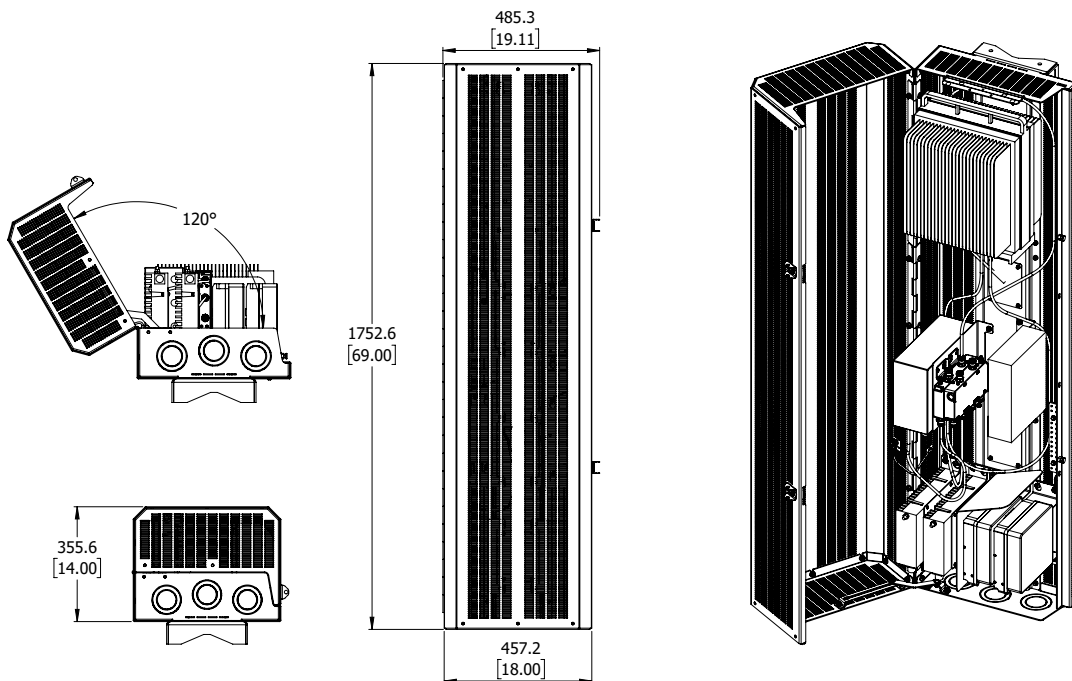
- Shroud utilizes passive vented design
- Door access design allows easy access
  - Belcore 216 quarter turn door latches
- Pole mount brackets (included)
  - Allows (3) 1/2" bolts through wooden pole (customer supplied)
  - Banding slots for metal poles
- Construction
  - Aluminum shroud
  - Stainless steel mast supports
- Multiple color finishes available

**Cabinet Components**

- Internal equipment support brackets
- Active ventilation system (If applicable)
- Alarm sensors
- Cable routing fixtures
- Pole mounting kit

**Additional equipment that can be provided and pre-installed**

- AC disconnect
- Fiber-optic termination enclosure
- AC/DC power solutions (All-in-One)





RSCAC-1028

**RSCAC-1028 Series**

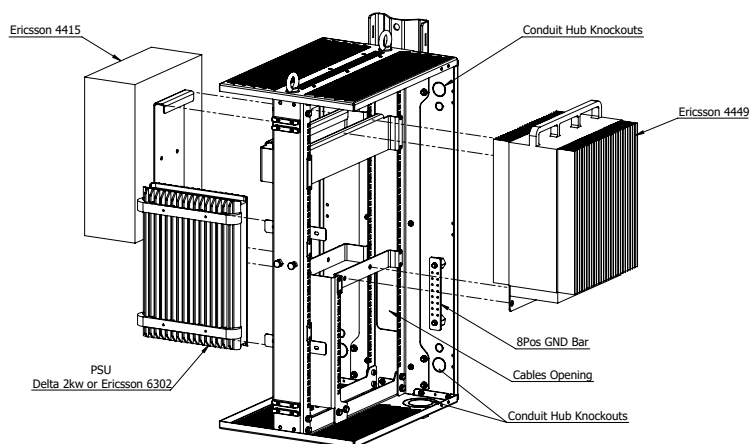
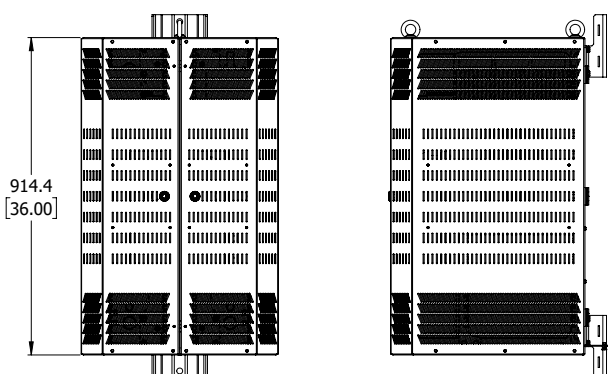
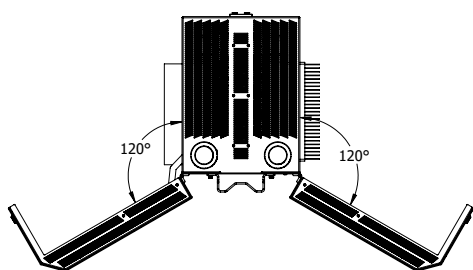
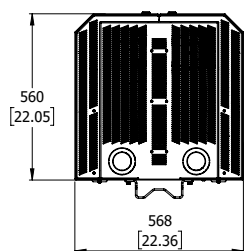
- Shroud utilizes passive vented design
- Door access design allows easy access
  - Belcore 216 quarter turn door latches
- Pole mount brackets (included)
  - Allows (3) 1/2" bolts through wooden pole (customer supplied)
  - Banding slots for metal poles
- Construction
  - Aluminum shroud
  - Stainless steel mast supports
- Multiple color finishes available

**Cabinet Components**

- Internal equipment support brackets
- Active ventilation system (If applicable)
- Alarm sensors
- Cable routing fixtures
- Pole mounting kit

**Additional equipment that can be provided and pre-installed**

- AC disconnect
- Fiber-optic termination enclosure
- AC/DC power solutions (All-in-One)





RSCAC-1038

**RSCAC-1038 Series**

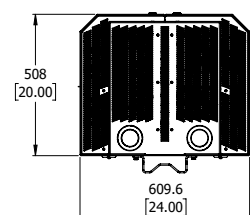
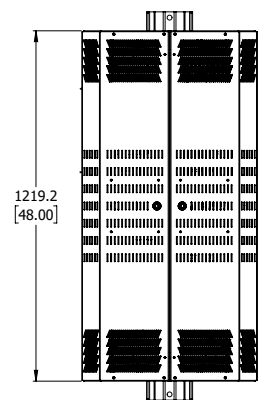
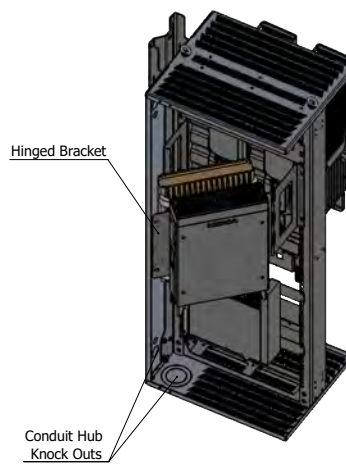
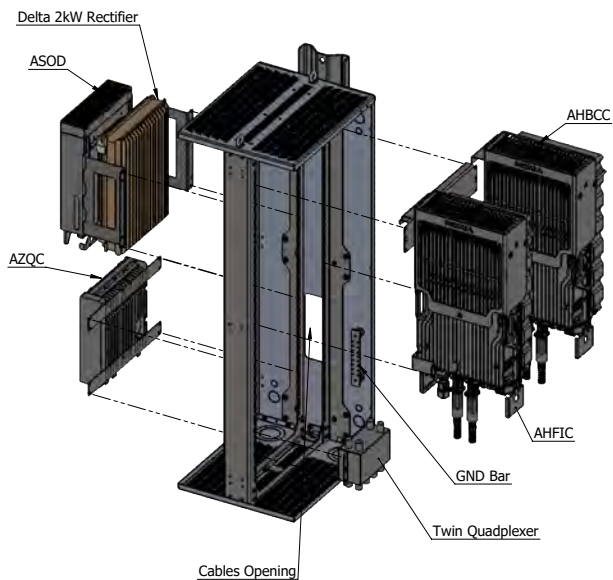
- Shroud utilizes passive or active vented design
- Door access design allows easy access
- Construction
  - Aluminum shroud
  - Stainless steel mast supports
- Multiple color finishes and dimensions available

**Cabinet Components**

- Internal equipment support brackets
- Active ventilation system (If applicable)
- Alarm sensors
- Cable routing fixtures
- Pole mounting kit

**Additional equipment that can be provided and pre-installed**

- AC disconnect
- Fiber-optic termination enclosure
- AC/DC power solutions (All-in-One)





RSCAC-1048

**RSCAC-1048 Series**

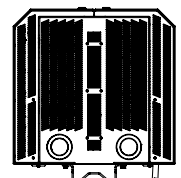
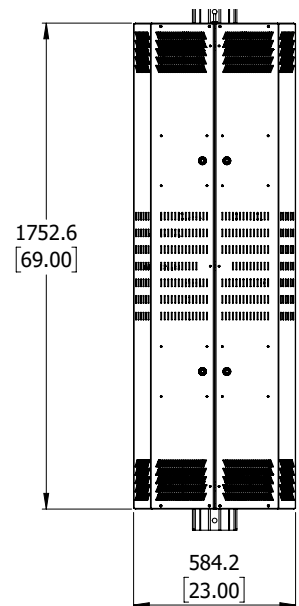
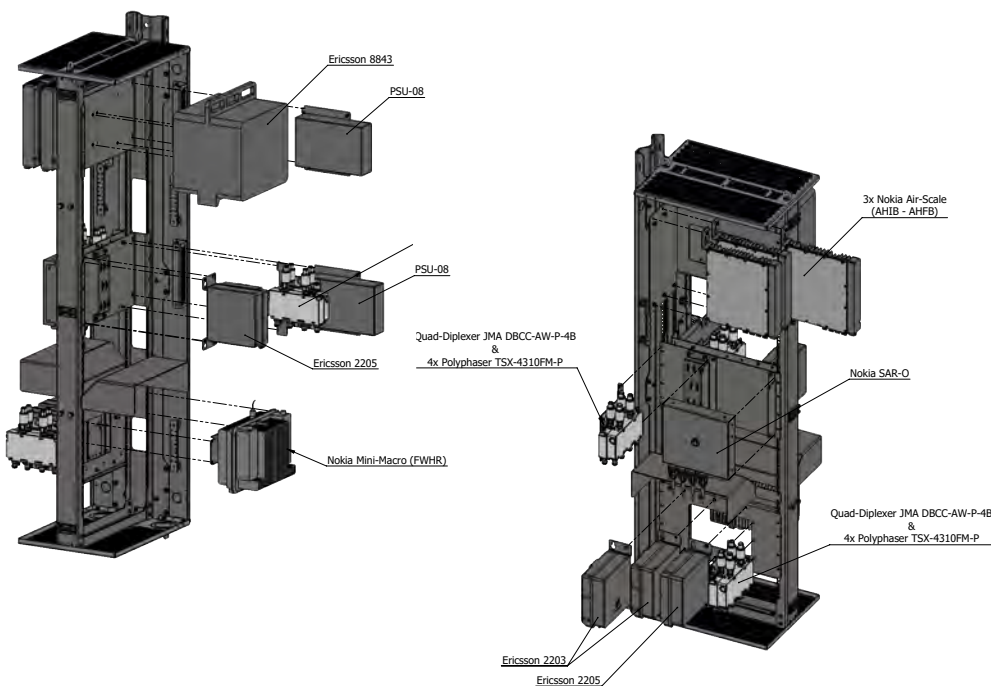
- Shroud utilizes passive or active vented design
- Door access design allows easy access
- Construction
  - Aluminum shroud
  - Stainless steel mast supports
- Multiple color finishes and dimensions available

**Cabinet Components**

- Internal equipment support brackets
- Active ventilation system (If applicable)
- Alarm sensors
- Cable routing fixtures
- Pole mounting kit

**Additional equipment that can be provided and pre-installed**

- AC disconnect
- Fiber optic termination enclosure
- AC/DC power solutions (All-in-One)





RSCAC-SH24

Shipped with integrated AC disconnect



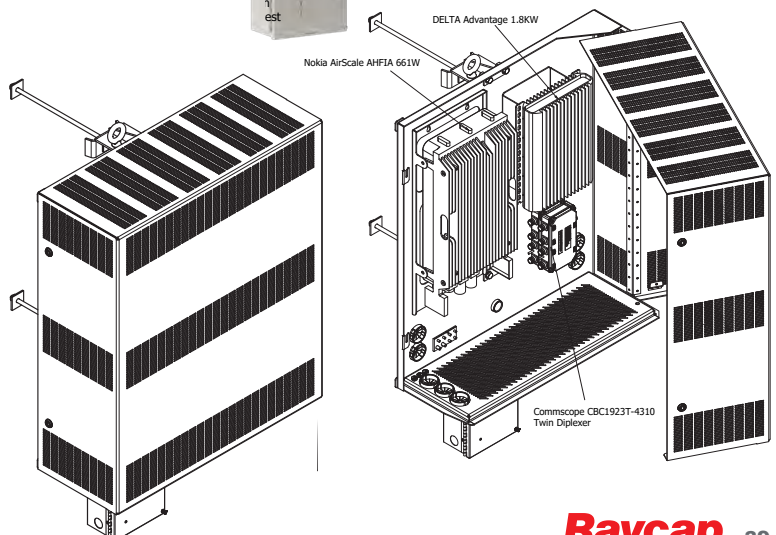
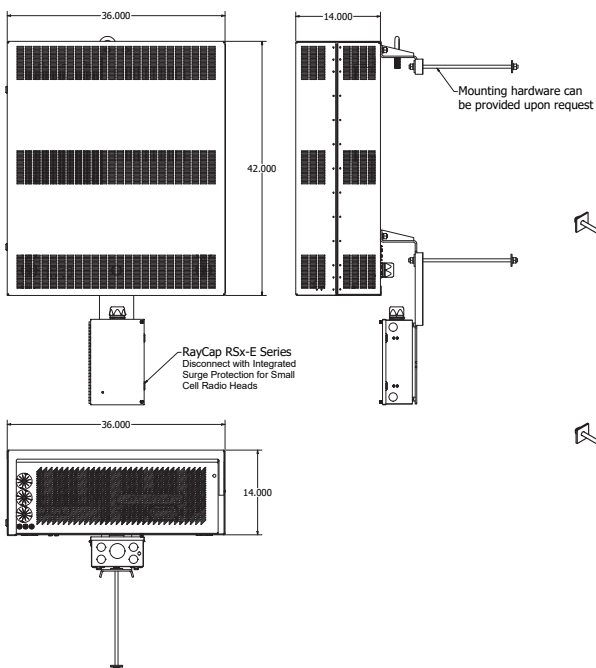
Strikesorb 30-V1-2CHV

**RSCAC-SH24-423614 PSEG**

- Shroud utilizes passive vented design
- Door access design allows easy access
  - Belcore 216 quarter turn door latches
- Pole mount brackets (included)
  - Provision for two 1/2 - 3/4 mounting bolts (Rods)
  - Banding slots for metal poles
  - Powder coated galvanized steel
- Construction:
  - Aluminum shroud
- Multiple color finishes available

**Cabinet Components**

- Internal equipment support brackets
- Pole mounting kit





*RSCAC-SH55-552316Px*

**RSCAC-SH55-552316 Series**

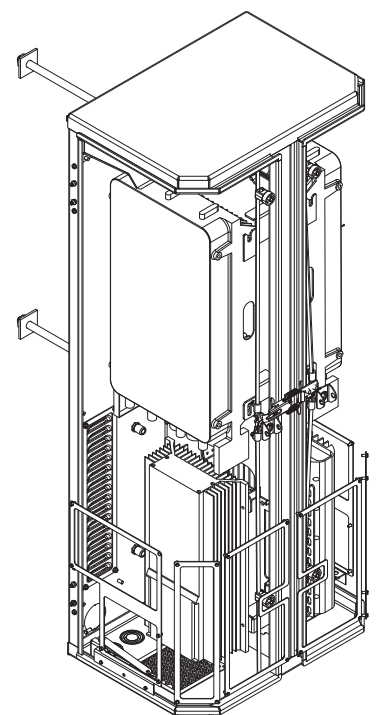
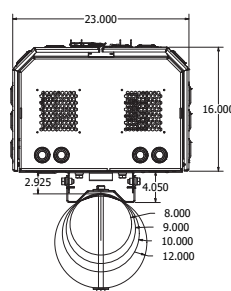
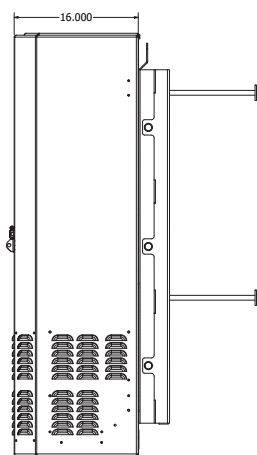
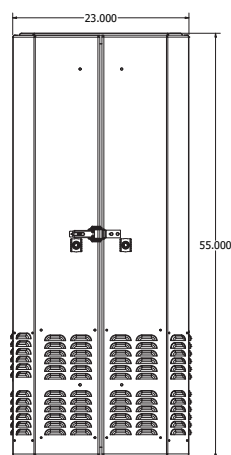
- Shroud utilizes active or passive vented design
- Door access design allows easy access
  - Belcore 216 quarter turn door latches
- Pole mount brackets (included)
  - Provision for two 1/2 - 3/4 mounting bolts (Rods)
  - Banding slots for metal poles
  - Powder coated galvanized steel
- Construction
  - Aluminum shroud
- Multiple color finishes available

**Cabinet Components**

- Internal equipment support brackets
- Pole mounting kit



*RSCAC-SH55-552316Ax*  
*(Active Cooling Option)*





# Power Management Solutions



## Meterbase & AC Disconnects

### Meterbase, AC Disconnect, Load Center & Surge Protection Devices

#### RMx-E2 Series

- Tightly integrated ringless meterbase and AC Disconnect functionality in one narrow enclosure (only 9.5" wide to better blend when pole-mounted)
- Suitable for Use as Service Equipment (SUSE) without condition per UL and NEC with 60A or 100A main breaker
- Up to twelve circuits for individual power control and over current protection
- Comes standard with either (12) or (2) DIN rail 13mm breakers providing (12 or 2) 120VAC circuits which can be bridged to provide (6 or 1) 240V feeds
- 120/240VAC split-phase or 2 of 3 phases from 208Y/120VAC configuration
- Available surge protection
  - Strikesorb 30-A-2CHV Surge Protective Device (SPD)
    - Class I SPD, certified by VDE per the IEC 61643-11 standard as suitable for installation in areas where induced lightning exposure is expected
    - Withstand direct surge currents up to 5kA (10/350 $\mu$ s) and induced surge currents of up to 60kA (8/20 $\mu$ s)
    - Low let through / clamping voltage - as it does not employ spark gaps or other switching elements
- Lockable front hatch access to the main breaker (optional).
- Main power can be turned on and off without opening the main enclosure door. Lockout Tagout (LOTO) functionality.
- Flexible mounting options for walls, poles or H-Frames
- Top, bottom, side or rear cable entry allows for cleaner more flexible installations
- Patent pending design





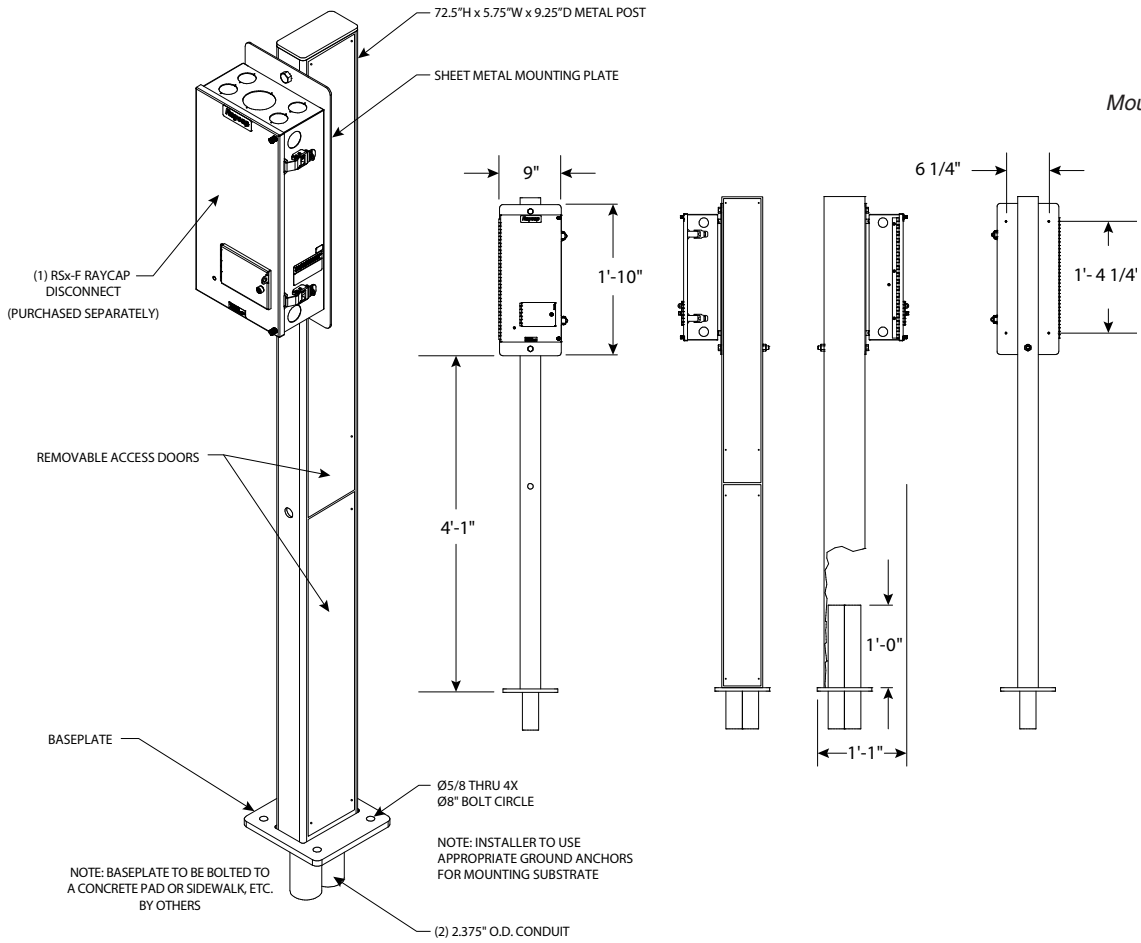
## Mounting Pedestals with AC Disconnects

### RPD<sub>x</sub>-PA Series Mounting Pedestals

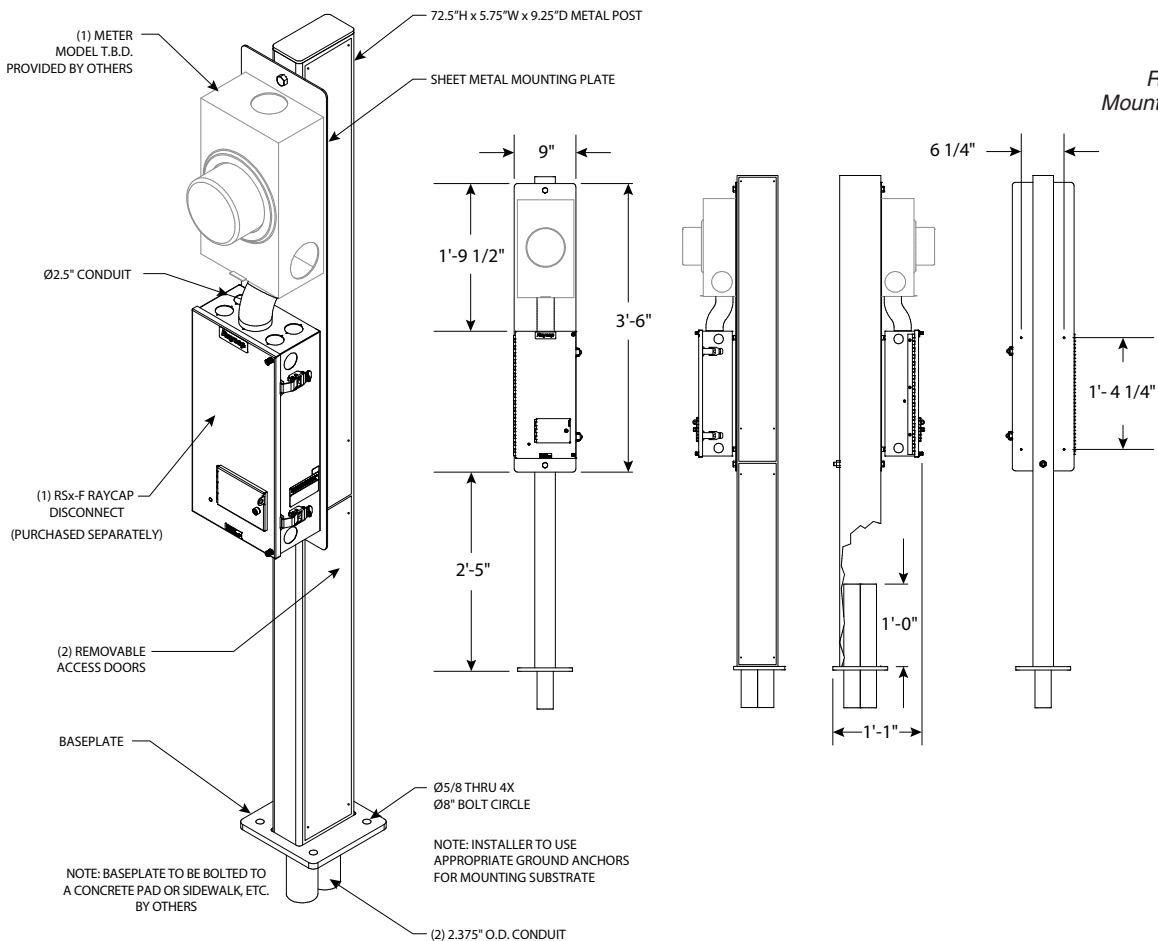
- Clean, consistent appearance for meterbase and site disconnect/distribution functionality
- Universal back-panel design accepts all utility-approved meterbases
- Strong and durable powder-coated metal construction includes flexible mounting-base for easy installation
- Available in different colors to meet jurisdiction requirements
- Overall height (Above Grade Level) of 72.5" accommodates full range of approved meter-face heights
- Allows flexible and unobtrusive access for utility-input and load-output conduit runs
- Pre-integrated assembly saves time and money during installation



*RPx1-PA  
Mounting Pedestal*



*RPx2-PA  
Mounting Pedestal*





## AC/DC Combo Power Management



### RUSAC-1440-P-240

- 60A main breaker
- DC power supply capable of providing up to 600 Watts at -54VDC
- (2) 15A DC outputs
- Employs the Strikesorb 30 Series Surge Protective Device (SPD)
- Passive or active cooling
- Indicator LEDs for AC available (1) and DC available (2)
- NEMA 3R rated enclosure suitable for outdoor



### RUSAC-1AN2-P-240-1

- 100A main breaker
- 120/240VAC split phase configuration
- Up to six branch breakers providing (6) 120VAC circuits or (3) 240VAC circuits.
- Employs the Strikesorb 30 Series Surge Protective Device (SPD)
- DC power supply capable of providing up to 2000 Watts at -54VDC (expandable to 4000 Watts)
- Externally visible indicator available for AC and DC
- Over current protection for up to 6x AC circuits and up to 4x DC circuits for customer use
- Air-to-air heat-exchanger maintains closed loop NEMA Type 4 environment for equipment. Prevents ingress of contaminants and moisture.



## AC Disconnects

The RSCAC and RSx-Series are 120/240 VAC industry standard load centers and surge protection devices that are suitable for use as service equipment (SUSE) with NO conditions per UL and NEC. They are designed to provide robust overvoltage surge protection for the AC power circuits for today's small cell radio systems. They employ patented Strikesorb 30-A-2CHV modules capable of withstanding direct surge currents up to 5kA (10/350 $\mu$ s) and induced surge currents up to 60kA (8/20 $\mu$ s). These products provide dual (L1 to N) (L2 to N) protection for up to 16 AC circuits depending on the model.

### Common and Standard Features

- Suitable for use as Service Equipment SUSE with NO condition per UL and NEC
- 120/240VAC, up to 100A installations
- Load breakers can be 2A - 25A rated (RSx-Series) or 15A and 20A tandems (RSCAC-Series)
- Tightly integrated AC disconnect, AC distribution and AC surge protection in one cabinet
- Strikesorb over voltage protection (OVP) on AC circuits
- Ruggedized industrial construction, most with top and bottom cable access for maximum flexibility and space-savings in small cell deployments
- Rigorous weatherproof enclosure options: NEMA 4 (for hose down/sprinkler protection), NEMA 4x (for corrosive locations) and even NEMA 6/6p (IP68) for temporarily submerged locations like street hand holes
- Optional AC GFI protected outlet and/or various means of external disconnects available on some models



*RSD-FMC-Z16MS-21NN  
(16 Breakers, Strikesorb SPD,  
External Disconnect)*

### Common and Standard Features

- Suitable as Service Equipment (SUSE) with NO condition per UL and NEC
- 60A or 100A main breaker
- 120/240VAC
- Up to 16 circuits available
- Strikesorb 30-A-2CHV SPD (L1-N, L2-N)
- Metallic enclosure, NEMA 4
- 9"W x 6"D (Height depends on breakers)
- Versatile mounting bracket included

### RSx-D Series

- 60A or 100A main breaker, 10kAIC
- NEMA 4 rated powder coated steel enclosure
- Top, bottom, side cable access
- Ships with 2 to 10 breakers



*RSD-DMN-X10MS-21NN*



*RSD-DML-X10MS-21NN  
– Hinged-Cover  
External Disconnect*



*RSD-DML-Z16MS-21NN  
(Lt. Gray color, 10 Breakers,  
Strikesorb SPD,  
External Disconnect)*

### RSx-E Series

- 60A or 100A main breaker, 10kAIC
- NEMA 4 rated powder coated steel enclosure
- Top, bottom, side cable access
- Ships with 2 to 12 breakers



*RSD-EMN-Z12MS-21NN*



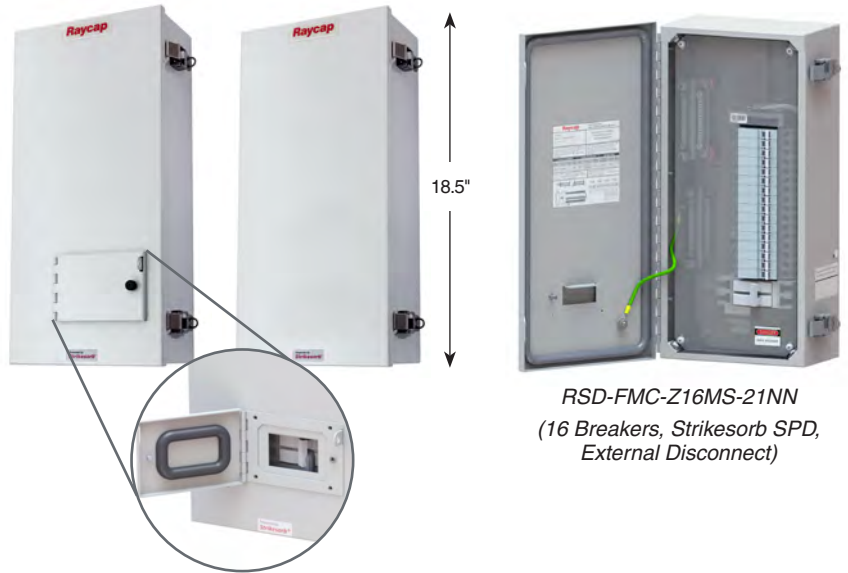
*RSD-EML-Z12MS-21NN  
– Hinged-Cover  
External Disconnect*



*RSD-EML-Z12MS-21NN  
(Lt. Gray color, 10 Breakers,  
Strikesorb SPD,  
External Disconnect)*

### RSx-F Series

- 16x configurable breakers provided (Load breaker list [ampacities and quantities - total 16] to be specified at the time of order.)
- 60A or 100A main breaker
- 10kA Fault Current Rating (kAIC)
- Top, bottom and side cable/conduit access
- 18.5" H x 9" W x 6" D
- NEMA 4 powder-coated enclosure, available in multiple colors
- Versatile mounting bracket included



*RSD-FMC-Z16MS-21NN  
(16 Breakers, Strikesorb SPD,  
External Disconnect)*

### Model Number Configuration

## RSa-FMb-c16MS-21NN

a: RAL color		b: LED & Ext. Disconnect		c: Main Breaker	
D	Light Gray / RAL7047	N	None	X	60A Main Breaker
G	Green / RAL6012	L	Light and External Disconnect	Z	100A Main Breaker
B	Black / RAL9011				
N	Brown / RAL7013				
L	Blue / RAL5022				

### AC Disconnect Options

	Color Options	No External Disconnect	With External Disconnect & Status Light
60A Main Breaker	Light Gray / RAL7047	RSD-FMN-X16MS-21NN	RSD-FML-X16MS-21NN
	Green / RAL6012	RSG-FMN-X16MS-21NN	RSG-FML-X16MS-21NN
	Black / RAL9011	RSB-FMN-X16MS-21NN	RSB-FML-X16MS-21NN
	Brown / RAL7013	RSN-FMN-X16MS-21NN	RSN-FML-X16MS-21NN
	Blue / RAL5022	RSL-FMN-X16MS-21NN	RSL-FML-X16MS-21NN
100A Main Breaker	Light Gray / RAL7047	RSD-FMN-Z16MS-21NN	RSD-FML-Z16MS-21NN
	Green / RAL6012	RSG-FMN-Z16MS-21NN	RSG-FML-Z16MS-21NN
	Black / RAL9011	RSB-FMN-Z16MS-21NN	RSB-FML-Z16MS-21NN
	Brown / RAL7013	RSN-FMN-Z16MS-21NN	RSN-FML-Z16MS-21NN
	Blue / RAL5022	RSL-FMN-Z16MS-21NN	RSL-FML-Z16MS-21NN

### RSCAC-1333 Series

- 60A main breaker
- 22kA Fault Current Rating (kAIC)
- 6x configurable tandem breakers provided (12 Loads)  
(Default is 6x 15A/15A tandem breakers. Custom breaker lists can be specified at the time of order.)
- Bottom cable access
- 9"H x 9"W x 5"D  
NEMA 4X or IP 68 and NEMA 6/6P rated enclosure
- Versatile mounting bracket included



RSCAC-1333-P-240



RSCAC-1333-P-240-D  
– Hinged-Cover  
External Disconnect



RSCAC-1333-PH-240  
– No-hinge front door  
for concealment or  
pole applications  
– Submersion up to  
1 meter for 30 minutes

### RSCAC-9556 Series

- 100A main breaker
- 22kA Fault Current Rating (kAIC)
- 6x configurable tandem breakers provided (12 Loads)  
(Default is 6x 15A/15A tandem breakers. Custom breaker lists can be specified at the time of order.)
- Bottom cable access
- 11"H x 9"W x 5"D  
NEMA 4X or IP 68 and NEMA 6/6P rated enclosure
- Versatile mounting bracket included



RSCAC-9556-P-240



RSCAC-9556-P-240-D  
– Hinged-Cover  
External Disconnect



RSCAC-9556-PH-240  
– No-hinge front door  
for concealment or  
pole applications  
– Submersion up to  
1 meter for 30 minutes

### RSCAC-9550 Series

- 60A main breaker
- 22kA Fault Current Rating (kAIC)
- 6x configurable tandem breakers provided (12 Loads)  
(Default is 6x 15A/15A tandem breakers. Custom breaker lists can be specified at the time of order.)
- Top and bottom cable access
- 11"H x 9"W x 5"D  
NEMA 4X or IP 68 and NEMA 6/6P rated enclosure
- Versatile mounting bracket included



RSCAC-9550-P-240



RSCAC-9550-P-240-D  
– Hinged-Cover  
External Disconnect



RSCAC-9550-PH-240  
– No-hinge front door  
for concealment or  
pole applications  
– Submersion up to  
1 meter for 30 minutes



### RSCAC-7038 Series

- 100A main breaker
- 10kAIC System Rating (due to GFI)
- 6x configurable tandem breakers provided (11 Loads + GFI)  
(Default is 6x 15A/15A tandem breakers. Custom breaker lists can be specified at the time of order.)
- Top and bottom cable access
- 14"H x 9"W x 5"D  
NEMA 4 rated enclosure
- GFI convenience outlet



RSCAC-7038-P-240



RSCAC-7038-P-240-D  
– Hinged-Cover  
External Disconnect



### RSCAC-7239 Series

- 100A main breaker
- 22kAIC System Rating
- 6x configurable tandem breakers provided (12 Loads)  
(Default is 6x 15A/15A tandem breakers. Custom breaker lists can be specified at the time of order.)
- Top and bottom cable access
- 14"H x 9"W x 5"D  
NEMA 4 rated enclosure



RSCAC-7239-P-240



RSCAC-7239-P-240-D  
– Hinged-Cover  
External Disconnect



Wall Mounted Solutions

Product solutions covering rooftop small cell sites with a screen wall, side-mounted box, sign, chimney, pod, or cupola, are available from Raycap. Rooftop or wall side-mounted box concealments compliment existing construction, and hand-crafted faux brick, block, stucco, and stone textures seamlessly blend with buildings.

Wall Mounted Signs



- Conceals small cell equipment
- Appears natural in the surrounding area
- Multiple operator and 5G mmWave InvisiWave versions available

Custom Concealment Shrouds



- Conceals small cell equipment
- Blends into any existing facility
- Round form factor shown; shrouds can be any shape including square, rectangular, or multisided
- Multiple operator and 5G mmWave InvisiWave versions available

## Rooftop Solutions

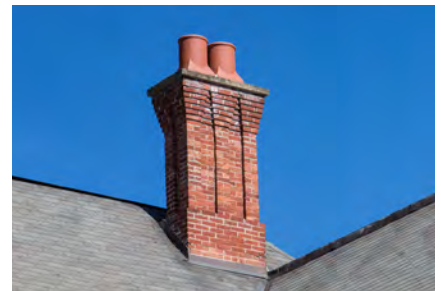
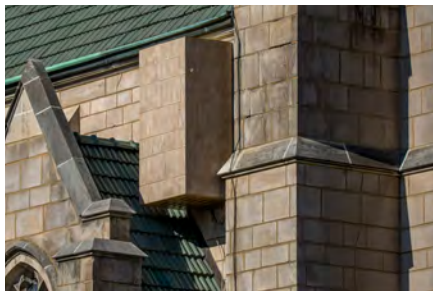
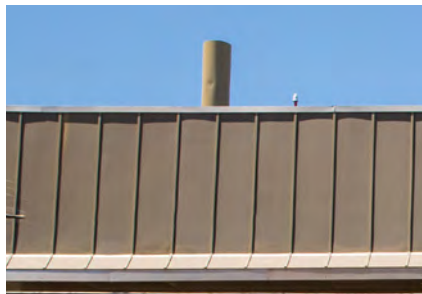
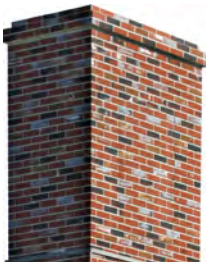
Ballasted (non-penetrating) concealment pods are a great solution for disguising rooftop antennas. The ballasted pods are comprised of a steel frame, center mast pipe, steel clamp-on bulkheads and a radome. These standard frames allow for reduced engineering cost and lead time plus the optimized framing material makes manufacturing and installation a breeze.

### Ballasted Pods

- 5G mmWave InvisiWave version available
- Does not require roof penetrations
- Can be used as temporary solution
- Easily to assemble and install



## Rooftop Pods / Cupolas / Wall Mounted Solutions Gallery



# Fiber Management Solutions

## Fiber Enclosures & Cables

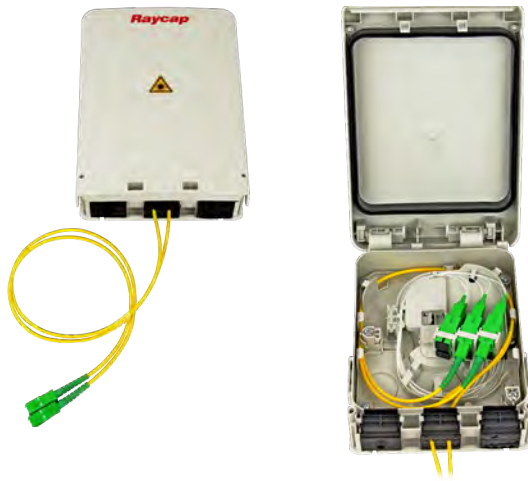
Raycap offers pole or wall mount fiber enclosures for indoor and outdoor use. They are specifically designed for fast deployment and easy customer connection, providing the ultimate flexibility and optimal fiber organization.

### Common and Standard Features

- Lightweight design
- IP65 sealing rate
- Minimum bending radius protection 30mm
- Customized configuration capacity available
- Allows integration of passive optical components
- Wall and pole mounted
- UV stable material for outdoor above ground use
- Passive convection cooling
- The standard kit contents include wall mounting brackets and splice protector sleeves
- Optional installation of 6 PLC splitters (PLC splitters are pre-connectorized only on the outputs.) Customization available.

#### RTF-8028

- Splicing capacity of 8 fibers



#### RTF-3392

- Splicing capacity of 16 fibers



**RTF-5238**

- Splicing capacity of 6 fibers



**RTF-3018**

- Splicing capacity of 2 fibers



**RTF-7054**

- Splicing capacity of 4 fibers



**RTF-3116**

- Splicing capacity of 12 fibers



**RTF-8818**

- Splicing capacity of 24 fibers



**Multi-Fiber Cables  
(OMCS-GY-xx-yy-LCLC-zzzM)**

- Dielectric rodent protected
- Low smoke, halogen free (FR LSZH) outer sheath
- Connectors:  
RRH side: Duplex LC  
BBU side: Duplex LC



**Single Mode / Multi Mode Cables  
(Duplex Patch cords)**

- 0.9/1.8/2.0/3.0mm versions available
- Low loss connectors
- LSZH jacket
- RoHS compliant
- Different boot lengths available



# Appendix: RT Series



## Model Number Configuration

RT-**abbc**-**dd**-**ee**-**ee**-**ee**-**ee**

Module 1    Module 2    Module 3    Module 4

**a: Existing Pole Material**

C	= Composite
M	= Metal
W	= Wood

**bb: Existing Pole Diameter**

= rounded to the nearest inch  
Example: 7.25" = 07

**c: Transition Amount**

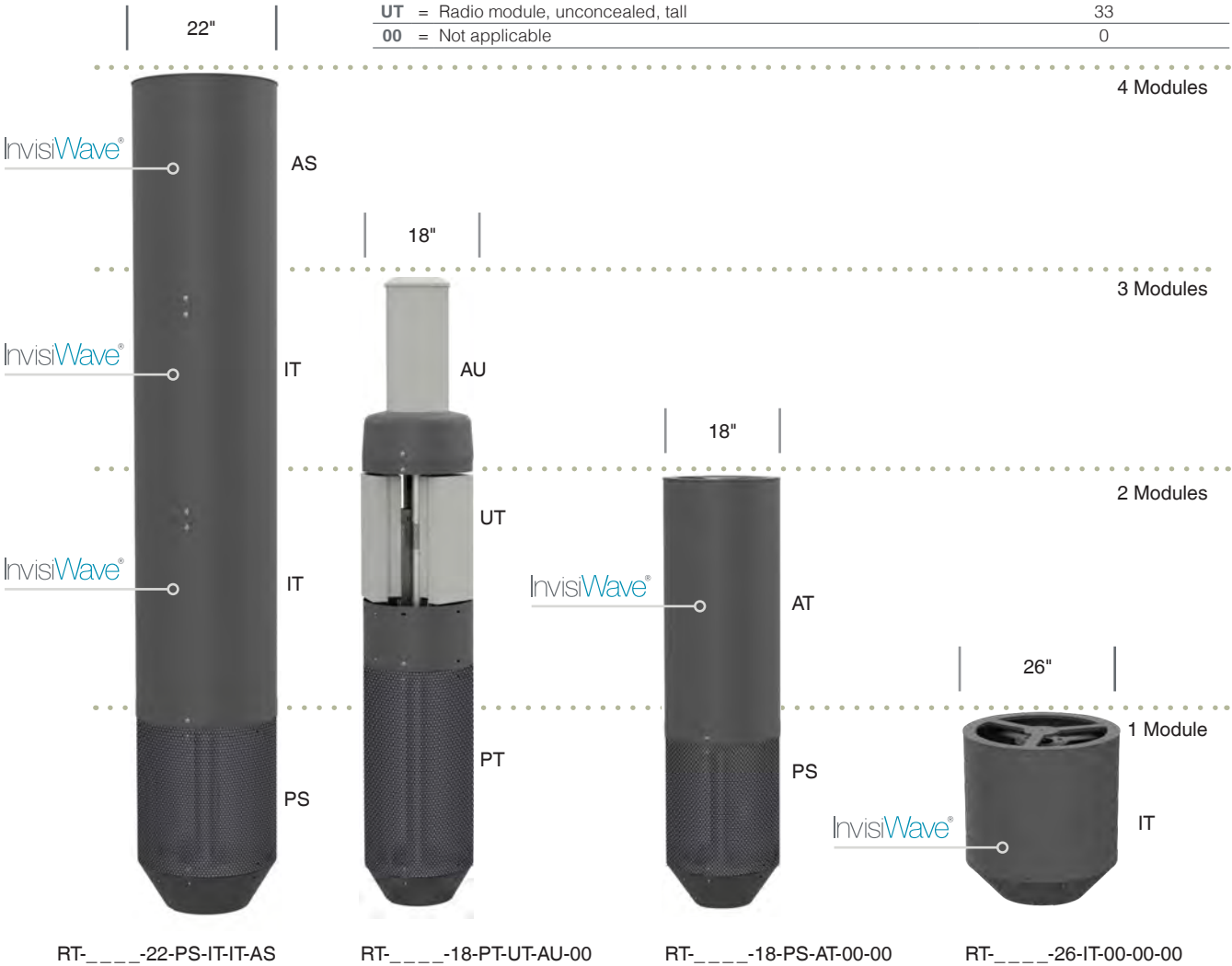
0	= No Transition
6	= 60 Degree Transition

**dd: Topper Diameter (in)**







































18	= Thin profile, supports up to 30 degrees of downtilt, full concealment of 5g radios not available in this diameter
22	= Fully concealed, downtilt not supported
26	= Fully concealed with limited downtilt (10-15 degrees), depending on radio

**ee: Module Type**

Module Type	Module Height [if top module] (in)	
AS	Omni antenna, InvisiWave concealment, short	36
AT	Omni antenna, InvisiWave concealment, tall	48
AU	Omni antenna, unconcealed	Varies with antenna
FS	Radio module, InvisiWave concealment, short, active cooling	24 [27]
FT	Radio module, InvisiWave concealment, tall, with active cooling (fans)	33 [36]
IS	Radio module, InvisiWave concealment, short, passive cooling	24 [27]
IT	Radio module, InvisiWave concealment, tall, passive cooling	33 [36]
PS	Radio module, perforated steel concealment, short	24
PT	Radio module, perforated steel concealment, tall	33
US	Radio module, unconcealed, short	24
UT	Radio module, unconcealed, tall	33
00	= Not applicable	0



## Appendix: RAL Standard Color Selection

	RAL #	Satin SKU	Color Name
	1001	RHS3-00004	Beige
	1003	RYS3-00001	Signal Yellow
	1013	RHS3-00001	Oyster White
	1018	RYS3-00003	Zinc Yellow
	1019	RHS3-00005	Grey Beige
	1023	RYS3-60010	Traffic Yellow
	1028	RYS3-60013	Melon Yellow
	1037	RYS3-60006	Sun Yellow
	2003	RES3-00001	Pastel Orange
	2004	RES3-20003	Pure Orange
	2010	RES3-20004	Signal Orange
	3000	RRS3-20009	Flame Red
	3001	RRS3-00001	Signal Red
	3002	RRS3-00004	Carmine Red
	3003	RRS3-00003	Ruby Red
	3004	RRS3-00007	Purple Red
	3005	RRS3-60002	Wine Red
	3020	RRS3-20010	Traffic Red
	4005	RRS3-20005	Blue Lilac
	5002	RLS3-20001	Ultramarine Blue
	5003	RLS3-20003	Sapphire Blue
	5005	RLS3-20007	Signal Blue
	5010	RLS3-20008	Gentian Blue
	5011	RLS3-20010	Steel Blue
	5012	RLS3-20009	Light Blue
	5013	RLS3-20011	Cobalt Blue
	5015	RLS3-20013	Sky Blue
	5017	RLS3-90001	Traffic Blue
	5019	RLS3-20015	Capri Blue
	5022	RLS3-60001-C25	Night Blue
	5024	RLS3-60003	Pastel Blue
	6005	RGS3-80002	Moss Green
	6009	RGS3-00025	Fir Green
	6012	RGS3-00003	Black Green
	6016	RGS3-00001	Turquoise Green
	6018	RGS3-00021	Yellow Green
	6027	RGS3-00015	Light Green
	6029	RGS3-60012	Mint Green
	7001	RAS3-00014	Silver Grey

	RAL #	Satin SKU	Color Name
	7004	RAS3-20001	Signal Grey
	7006	RHS3-00006	Beige Grey
	7011	RAS3-00018	Iron Grey
	7012	RAS3-20002	Basalt Grey
	7013	RGS3-00008	Brown Grey
	7016	RAS3-00005	Anthracite Grey
	7021	RBS3-00002	Black Grey
	7022	RNS3-20001	Umbra Grey
	7023	RGS3-00011	Concrete Grey
	7024	RAS3-20004	Graphite Grey
	7030	RAS3-00007	Stone Grey
	7032	RHS3-20002	Pebble Grey
	7035	RAS3-00030	Light Grey
	7037	RAS3-00020	Dusty Grey
	7038	RAS3-00010	Agate Grey
	7040	RAS3-00025	Window Grey
	7042	RAS3-00003	Traffic Grey A
	7043	RAS3-00019	Traffic Grey B
	7044	RAS3-00027	Silk Grey
	7045	RAS3-00024	Telegrey 1
	7046	RAS3-00023	Telegrey 2
	7047	RAS3-40005	Telegrey 4
	8008	RNS3-20008	Olive Brown
	8011	RNS3-20002	Nut Brown
	8014	RNS3-00002	Sepia Brown
	8016	RNS3-00012	Mahogany Brown
	8017	RNS3-00011	Chocolate Brown
	8019	RNS3-00004	Grey Brown
	8025	RNS3-20011	Pale Brown
	8028	RNS3-20012	Terra Brown
	9001	RWS3-60004	Cream
	9002	RWS3-60002	Grey White
	9003	RWS3-00002	Signal White
	9005	RBS3-60004	Jet Black
	9010	RWS3-60003	Pure White
	9011	RBS3-60001	Graphite Black
	9016	RWS3-60001	Traffic White
	9017	RBS3-60002	Traffic Black

# Raycap Worldwide Locations



**Raycap Inc.**  
806 South Clearwater Loop  
Post Falls, ID 83854  
United States of America

7555-A Palmetto Commerce Pkwy  
North Charleston, SC 29420  
United States of America

46 Sellers Street  
Kearny, NJ 07032  
United States of America

**Raycap GmbH**  
Parkring 11  
85748 Garching Munich  
Germany

**Raycap S.A.**  
Telou & Petroutsou 14  
15124 Maroussi Athens  
Greece

**Raycap S.A. Manufacturing**  
Industrial Area of Drama  
66100 Drama  
Greece

**Raycap d.o.o.**  
Poslovna cona Žeje pri Komendi  
Pod hrasti 7  
1218 Komenda  
Slovenia

**Raycap Cyprus Ltd.**  
46 Lefkosias Street  
Industrial Area of Dali  
2540 Nicosia  
Cyprus

**Raycap SAS**  
84 rue Charles Michels  
Building B  
93200 Saint-Denis  
France

**Raycap Corporation SRL**  
102, Barbu Vacarescu  
entrance D, 4th floor, D22,  
020283 Bucharest  
Romania

**Raycap (Suzhou) Co. Ltd.**  
Block B, Phase II  
of New Sea Union  
No. 58 Heshun Road  
SIP, Suzhou 215122  
Jiangsu Province  
China



# Raycap

raycap.com • info@raycap.com

InvisiWave, STEALTH and Strikesorb are registered trademarks of Raycap

© 2021 Raycap All rights reserved.  
G09-00-123 210923