

IN134UST / IN136UST

User's Guide
Mode d'emploi
Benutzeranleitung
Manuale d'uso
Manual de Uso
Guia do Usuário
Gebruikershandleiding
Kullanım Kılavuzu
Användarhandbok

Panduan Pengguna
Руководство по пользователю
사용 설명서
用戶指南
用戶指南
Hướng dẫn người sử dụng
دليل المستخدم
راهنمای کاربر



Regulatory Model: IN134UST/IN136UST
3534296201
DISPERINDAG No. 0287/1.824.51/09.03

InFocus

The New Way to Collaborate

Copyright

This publication, including all photographs, illustrations and software, is protected under international copyright laws, with all rights reserved. Neither this manual, nor any of the material contained herein, may be reproduced without written consent of the author.

© Copyright 2013

Disclaimer

The information in this document is subject to change without notice. The manufacturer makes no representations or warranties with respect to the contents hereof and specifically disclaims any implied warranties of merchantability or fitness for any particular purpose. The manufacturer reserves the right to revise this publication and to make changes from time to time in the content hereof without obligation of the manufacturer to notify any person of such revision or changes.

Trademark Recognition

Kensington is a U.S. registered trademark of ACCO Brand Corporation with issued registrations and pending applications in other countries throughout the world.



HDMI, the HDMI Logo, and High-Definition Multimedia Interface are trademarks or registered trademarks of HDMI Licensing LLC in the United States and other countries.

All other product names used in this manual are the properties of their respective owners and are acknowledged.

Important Safety Information

Important:

It is strongly recommended that you read this section carefully before using the projector. These safety and usage instructions will ensure that you enjoy many years of safe use of the projector. Keep this manual for future reference.

Symbols Used

Warning symbols are used on the unit and in this manual to alert you of hazardous situations. The following styles are used in this manual to alert you to important information.

Note:

Provides additional information on the topic at hand.

Important:

Provides additional information that should not be overlooked.

Caution:

Alerts you to situations that may damage the unit.



Warning:

Alerts you to situations that may damage the unit, create a hazardous environment, or cause personal injury.

Throughout this manual, component parts and items in the OSD menus are denoted in bold font as in this example:

“Push the **Menu** button on the remote control to open the **Main** menu.”

General Safety Information

- Do not open the unit case. Aside from the projection lamp, there are no user-serviceable parts in the unit. For servicing, contact qualified service personnel.
- Follow all warnings and cautions in this manual and on the unit case.
- The projection lamp is extremely bright by design. To avoid damage to eyes, do not look into the lens when the lamp is on.
- Do not place the unit on an unstable surface, cart, or stand.
- Avoid using the system near water, in direct sunlight, or near a heating device.
- Do not place heavy objects such as books or bags on the unit.

Projector Installation Notice

- Place the projector in a horizontal position
The tilt angle of the projector should not exceed 15 degrees, nor should the projector be installed in any way other than the desktop and ceiling mount, otherwise lamp life could decrease dramatically.
- Allow at least 50 cm clearance around the exhaust vent.
- Ensure that the intake vents do not recycle hot air from the exhaust vent.
- When operating the projector in an enclosed space, ensure that the surrounding air temperature within the enclosure does not exceed operation temperature while the projector is running, and the air intake and exhaust vents are unobstructed.
- All enclosures should pass a certified thermal evaluation to ensure that the projector does not recycle exhaust air, as this may cause the device to shutdown even if the enclosure temperature is within the acceptable operation temperature range.

Power Safety

- Only use the supplied power cord.
- Do not place anything on the power cord. Place the power cord where it will not be in the way of foot traffic.
- Remove the batteries from the remote control when storing or not in use for a prolonged period.

Replacing the Lamp

Replacing the lamp can be hazardous if done incorrectly. See *Replacing the Projection Lamp* on page 39 for clear and safe instructions for this procedure. Before replacing the lamp:

- Unplug the power cord.
- Allow the lamp to cool for about one hour.

Cleaning the Projector

- Unplug the power cord before cleaning. See *Cleaning the Projector* on page 42.
- Allow the lamp to cool for about one hour.

Regulatory Warnings

Before installing and using the projector, read the regulatory notices in the *Regulatory Compliance* section on page 55.

Important Recycle Instructions:



Lamp(s) inside this product contain mercury. This product may contain other electronic waste that can be hazardous if not disposed of properly. Recycle or dispose in accordance with local, state, or federal Laws. For more information, contact the Electronic Industries Alliance at WWW.EIAE.ORG. For lamp specific disposal information check WWW.LAMPRECYCLE.ORG.

Symbol Explanations



DISPOSAL: Do not use household or municipal waste collection services for disposal of electrical and electronic equipment. EU countries require the use of separate recycling collection services.

GS Mark



Associated address:
INFOCUS INTERNATIONAL B.V.
CASABLANCAWEG 14 BLD A4 1047 HP
AMSTERDAM NL

About this manual

This manual is intended for end users and describes how to install and operate the DLP projector. Wherever possible, relevant information—such as an illustration and its description—has been kept on one page. This printer-friendly format is both for your convenience and to help save paper, thereby protecting the environment. It is suggested that you only print sections that are relevant to your needs.

Table of Contents

GETTING STARTED	1
PACKING CHECKLIST	1
VIEWS OF PROJECTOR PARTS.....	2
<i>Front-right View</i>	2
<i>Top view—On-screen Display (OSD) buttons and LEDs</i>	3
<i>Rear view</i>	4
<i>Bottom view</i>	6
REMOTE CONTROL PARTS	7
REMOTE CONTROL OPERATING RANGE.....	9
PROJECTOR AND REMOTE CONTROL BUTTONS.....	9
SETUP AND OPERATION	10
INSERTING THE REMOTE CONTROL BATTERIES	10
STARTING AND SHUTTING DOWN THE PROJECTOR.....	11
SETTING AN ACCESS PASSWORD (SECURITY LOCK)	12
ADJUSTING THE PROJECTOR LEVEL	14
ADJUSTING THE FOCUS AND KEYSTONE	15
ADJUSTING THE VOLUME	15
ON-SCREEN DISPLAY (OSD) MENU SETTINGS	16
OSD MENU CONTROLS	16
<i>Navigating the OSD</i>	16
SETTING THE OSD LANGUAGE	17
OSD MENU OVERVIEW	18
OSD SUB-MENU OVERVIEW	19
IMAGE MENU.....	20
<i>Advanced Features</i>	21
<i>Color Manager</i>	22
COMPUTER MENU.....	23
VIDEO / AUDIO MENU.....	24
<i>Audio</i>	25
INSTALLATION I MENU	26
<i>Advanced Features</i>	27
INSTALLATION II MENU.....	29
<i>Advanced Features</i>	30
<i>OSD Menu Setting</i>	31
<i>Peripheral Test</i>	31
<i>Lamp Hour Reset</i>	32
<i>3D</i>	33
<i>Network</i>	34
<i>Factory Reset</i>	38
<i>Status</i>	38
MAINTENANCE AND SECURITY	39
REPLACING THE PROJECTION LAMP.....	39
<i>Resetting the Lamp</i>	41
CLEANING THE PROJECTOR.....	42
<i>Cleaning the Projector Mirror</i>	42
<i>Cleaning the Case</i>	43
USING THE PHYSICAL LOCK	44
<i>Using the Kensington® Lock</i>	44
<i>Using the Security Bar</i>	44
TROUBLESHOOTING	45
COMMON PROBLEMS AND SOLUTIONS	45
TIPS FOR TROUBLESHOOTING	45
LED ERROR MESSAGES.....	46
IMAGE PROBLEMS.....	46

LAMP PROBLEMS 47
REMOTE CONTROL PROBLEMS 47
HAVING THE PROJECTOR SERVICED 47
HDMI Q & A 48

SPECIFICATIONS 49

SPECIFICATIONS 49
PROJECTION DISTANCE VS. PROJECTION SIZE 50
 Projection Distance and Size Table 50
TIMING MODE TABLE 51
PROJECTOR DIMENSIONS 54

REGULATORY COMPLIANCE 55

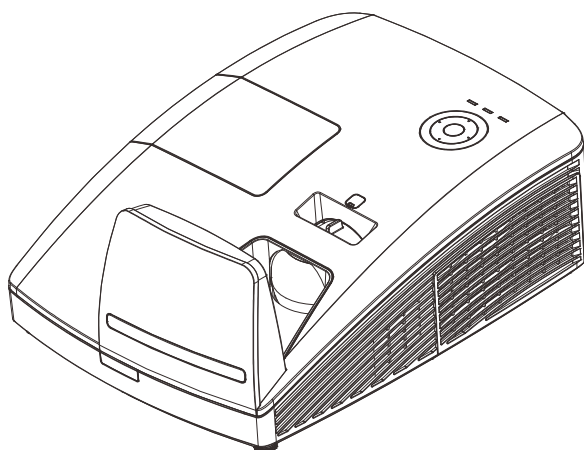
FCC WARNING 55
CANADA 55
SAFETY CERTIFICATIONS 55

APPENDIX I 56

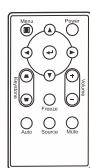
COMMUNICATION 56

GETTING STARTED**Packing Checklist**

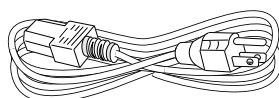
Carefully unpack the projector and check that the following items are included:



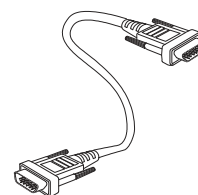
DLP PROJECTOR



*REMOTE CONTROL
(BATTERIES NOT INCLUDED)*



POWER CORD



VGA CABLE



*CD-ROM
(THIS USER'S MANUAL)*



QUICK START GUIDE



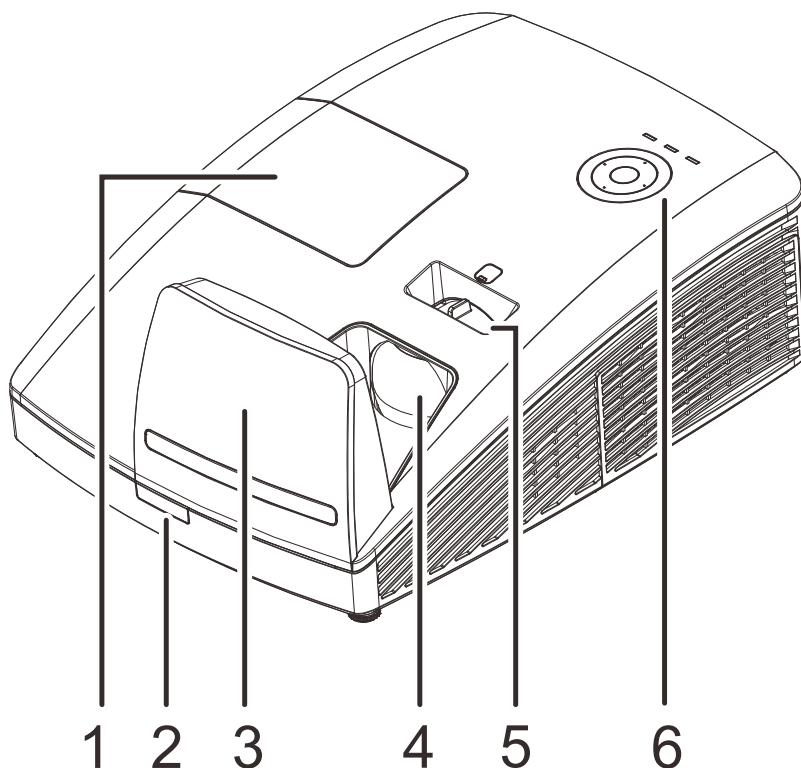
SAFETY & WARRANTY BOOKLET

Contact your dealer immediately if any items are missing, appear damaged, or if the unit does not work. It is recommended that you keep the original packing material should you ever need to return the equipment for warranty service.

Caution:
Avoid using the projector in dusty environments.

Views of Projector Parts

Front-right View

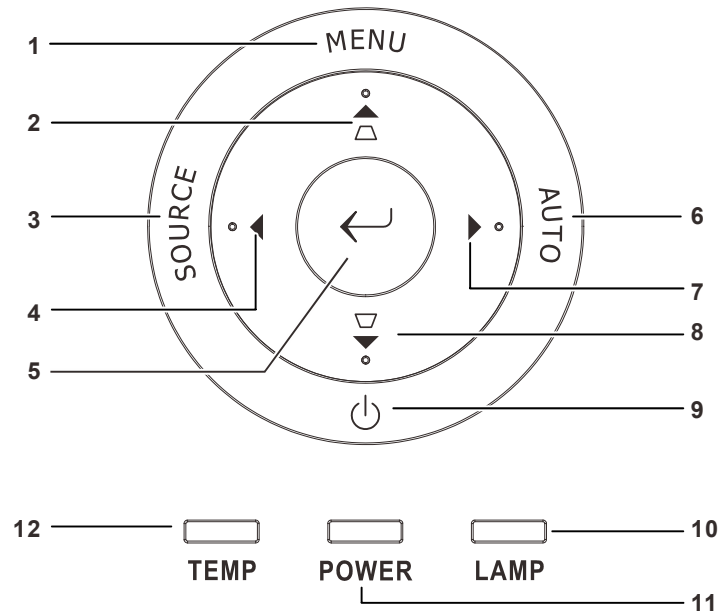


ITEM	LABEL	DESCRIPTION	SEE PAGE
1.	Lamp cover	Remove cover to replace lamp module	
2.	IR receiver	Receives IR signal from remote control	
3.	Aspheric mirror	Reflects images	
4.	Lens	Projection Lens	
5.	Focus ring	Focuses the projected image	
6.	Function keys	See Top view—On-screen Display (OSD) buttons and LEDs.	3

Important:

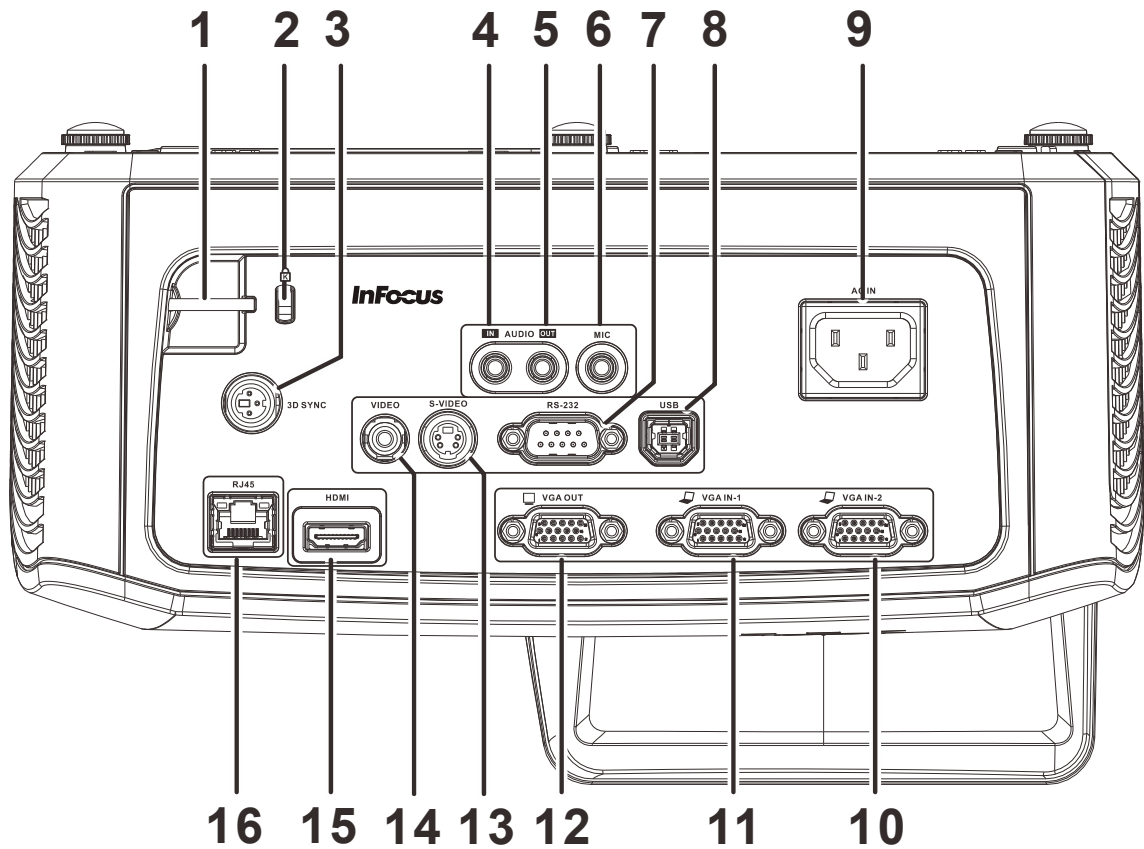
Ventilation openings on the projector allow for good air circulation, which keeps the projector lamp cool. Do not obstruct any of the ventilation openings.

Top view—On-screen Display (OSD) buttons and LEDs



ITEM	LABEL	DESCRIPTION		SEE PAGE
1.	MENU	Opens and exits OSD menus		16
2.	▲ △	Navigates in the OSD Keystone adjustment (when OSD menu is closed)		
3.	SOURCE	Enter the Source menu		
4.	◀	Navigates and changes settings in the OSD Volume adjustment (when OSD menu is closed).		16
5.	↵	Enter or confirm highlighted OSD menu items		
6.	AUTO	Optimizes image size, position, and resolution		
7.	▶	Navigates and changes settings in the OSD Volume adjustment (when OSD menu is closed).		16
8.	▽ ▼	Navigates in the OSD Keystone adjustment (when OSD menu is closed)		
9.	⏻	Turns the projector On or Off		
10.	LAMP LED	Red	Lamp Fail	46
		Flashing Amber	Error code	
11.	POWER LED	Green	Ready to power on (Standby) Lamp Lit , System stable Overheating	
		Flashing Green	System initializing, powering on, cooling down, and error code.	
12.	TEMP LED	Red	Overheating	

Rear view



ITEM	LABEL	DESCRIPTION	SEE PAGE
1.	Security bar	For security purposes	44
2.	Kensington lock	Secure to a permanent object with a Kensington® Lock system	
3.	3D SYNC	Connect the 3D IR glasses transmitter (Note: For Vivitek brand 3D IR glasses only)	
4.	AUDIO IN	Connect an AUDIO cable from the audio device. (Supports audio for VGA IN-1, VGA IN-2, Composite, and S-video sources.)	
5.	AUDIO OUT	Connect an AUDIO cable to an audio amplifier	
6.	MIC	Connect a microphone	
7.	RS-232	Connect a RS-232 serial port cable for remote control	
8.	USB	Connect a USB cable from a computer	
9.	AC IN	Connect a POWER cable	11
10.	VGA IN – 2	Connect a RGB cable from a computer or component device	
11.	VGA IN – 1	Connect a RGB cable from a computer or component device	
12.	VGA OUT	Connect a RGB cable to a display (Loop through only available using VGA IN-1)	
13.	S-VIDEO	Connect a S-video cable from a video device	

ITEM	LABEL	DESCRIPTION	SEE PAGE
14.	VIDEO	Connect a composite cable from a video device	
15.	HDMI	Connect an HDMI cable from a HDMI device	
16.	RJ45	Connect a LAN cable from Ethernet	

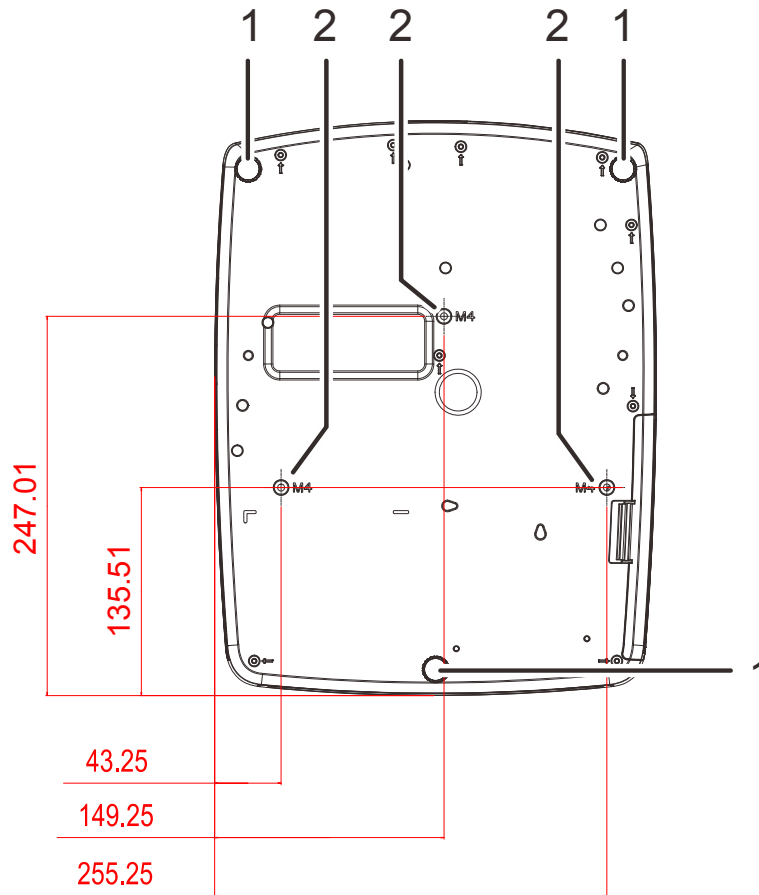
Note:

If your video equipment has various input sources, it is recommended that you connect the cables in the following order for the best picture quality : HDMI/DVI, component (thru VGA), Composite.

**Warning:**

As a safety precaution, disconnect all power to the projector and connecting devices before making connections.

Bottom view



ITEM	LABEL	DESCRIPTION	SEE PAGE
1.	Tilt adjustor	Rotate adjuster lever to adjust angle position	14
2.	Ceiling support holes	Contact your dealer for information on mounting the projector on a ceiling	

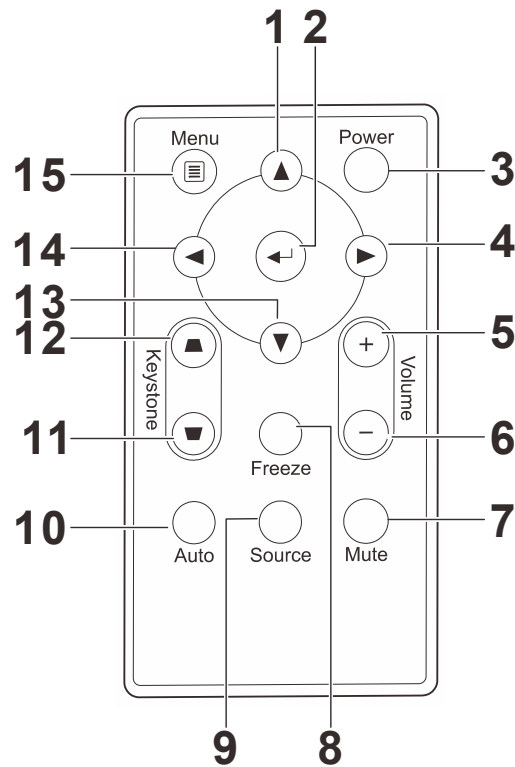
Note:

When installing, ensure that you use only UL Listed ceiling mounts.

For ceiling installations, use approved mounting hardware and M4 screws with a maximum screw depth of 12 mm (0.47 inch).

The construction of the ceiling mount must be of a suitable shape and strength. The ceiling mount load capacity must exceed the weight of the installed equipment, and as an additional precaution be capable of withstanding three times the weight of the equipment (not less than 5.15 kg) over a period of 60 seconds.

Remote Control Parts

**Important:**

1. Avoid using the projector with bright fluorescent lighting turned on. Certain high-frequency fluorescent lights can disrupt remote control operation.

2. Be sure nothing obstructs the path between the remote control and the projector. If the path between the remote control and the projector is obstructed, you can bounce the signal off certain reflective surfaces such as projector screens.

3. The buttons and keys on the projector have the same functions as the corresponding buttons on the remote control. This user's manual describes the functions based on the remote control.

ITEM	LABEL	DESCRIPTION	SEE PAGE:
1.	Up cursor	Navigates and changes settings in the OSD	16
2.	Enter	Changes settings in the OSD	
3.	Power	Turns the projector on or off	11
4.	Right cursor	Navigates and changes settings in the OSD	
5.	Volume +	Increases volume	15
6.	Volume -	Decreases volume	
7.	Mute	Mutes the built-in speaker	
8.	Freeze	Freeze/unfreezes the on-screen picture	
9.	Source	Selects the input device	
10.	Auto	Auto adjustment for frequency, tracking, size, position (RGB only)	
11.	Keystone top	Corrects keystone of the image (when it is wider on top)	15
12.	Keystone bottom	Corrects keystone of the image (when it is wider on the bottom)	
13.	Down cursor	Navigates and changes settings in the OSD	16
14.	Left cursor	Navigates and changes settings in the OSD	
15.	Menu	Opens and exits the OSD	

Remote Control Operating Range

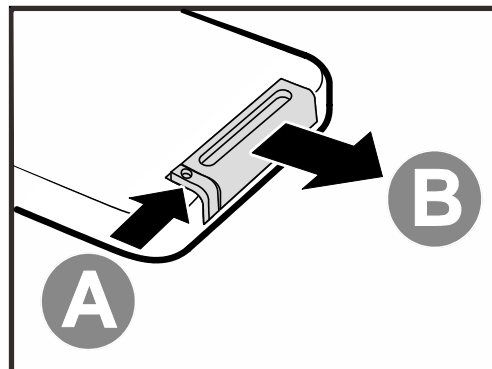
The remote control uses infrared transmission to control the projector. It is not necessary to point the remote directly at the projector. Provided you are not holding the remote perpendicular to the sides or the rear of the projector, the remote will function well within a radius of about 7 meters (23 feet) and 15 degrees above or below the projector level. If the projector does not respond to the remote control, move a little closer.

Projector and Remote Control Buttons

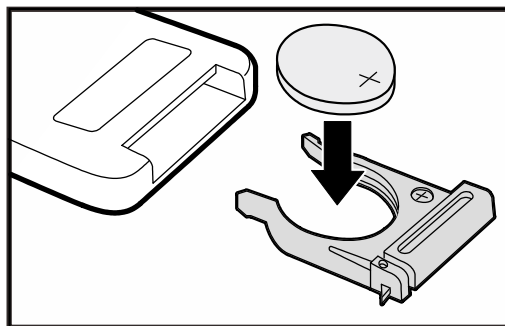
The projector can be operated using the remote control. All operations can be carried out with the remote control.

Inserting the Remote Control Batteries

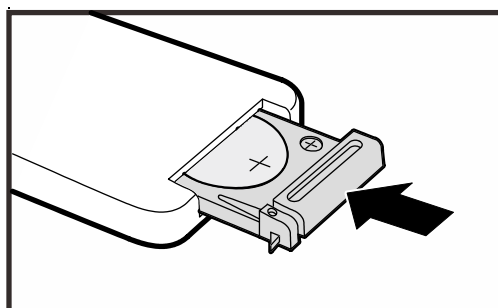
1. Remove the battery compartment cover by sliding the cover in the direction of the arrow (A). Pull out the cover (B).



2. Insert the battery with the positive side facing up.



3. Replace the cover.



Caution:

1. Only use a 3V lithium battery (CR2025).
2. Dispose of used batteries according to local ordinance regulations.
3. Remove the batteries when not using the projector for prolonged periods.

Note:

Batteries are not normally included with InFocus projectors.

Starting and Shutting down the Projector

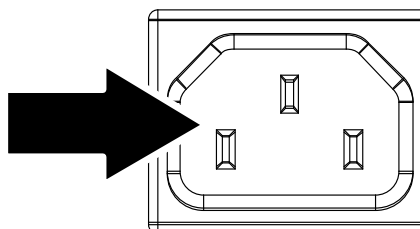
1. Connect the power cord to the projector. Connect the other end to a wall outlet.
2. Turn on the connected devices.
3. Ensure the **POWER** LED displays a solid green. Then press the **POWER** button of the remote to turn on the projector.

The projector splash screen displays and connected devices are detected.

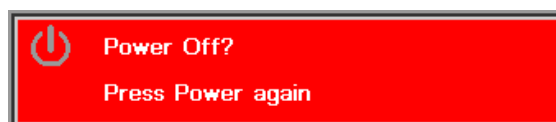
See *Setting an Access Password (Security Lock)* on page 12 if security lock is enabled.

4. If more than one input device is connected, press the **SOURCE** button of the remote and use ▲▼ to scroll among the devices. (Component is supported using a RGB to COMPONENT ADAPTER.)

5. When the "Power Off? Press Power again" message appears, press the **POWER** button. The projector turns off.



- VGA 1/VGA 2: Analog RGB
Component: DVD input YCbCr / YPbPr, or HDTV input YPbPr via HD15 connector
- Composite Video: Traditional composite video
- HDMI: HDMI, DVI
- S-Video: Super video (Y/C separated)



Caution:

Do not unplug the power cord until the POWER LED changes to solid green—indicating the projector has cooled down.

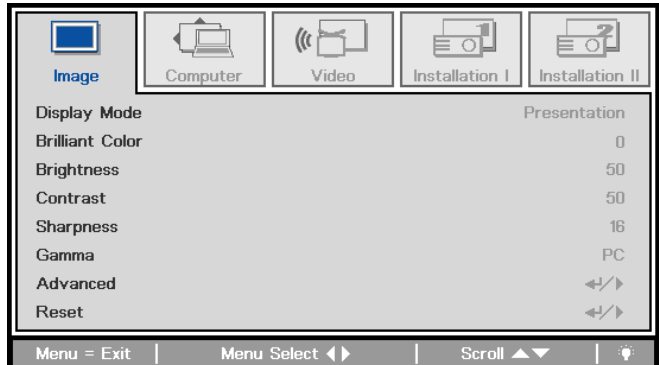
Setting an Access Password (Security Lock)

You can use the four (arrow) buttons to set a password and prevent unauthorized use of the projector. When enabled, the password must be entered after you power on the projector. (See *Navigating the OSD* on page 16 and *Setting the OSD Language* on page 17 for help on using OSD menus.)

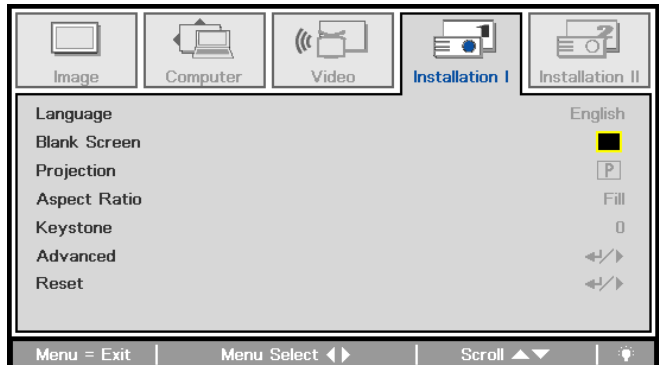
Important:

Keep the password in a safe place. Without the password, you will not be able to use the projector. If you lose the password, contact InFocus Support for information on clearing the password.

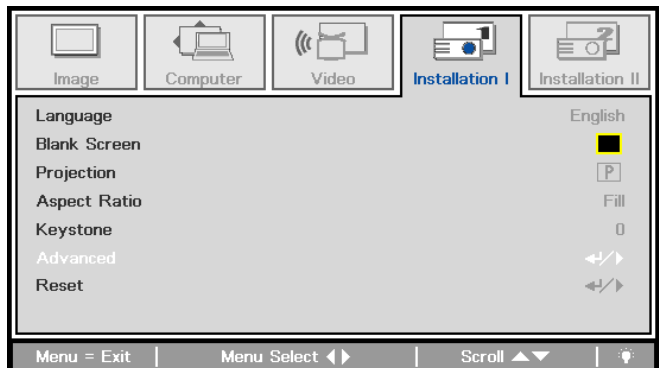
1. Press the **MENU** button to open the OSD menu.



2. Press the ◀▶ buttons to move to the **Installation I** menu.



3. Press the ▲▼ buttons to select **Advanced**.



4. Press the ▲▼ buttons to select **Security Lock**.

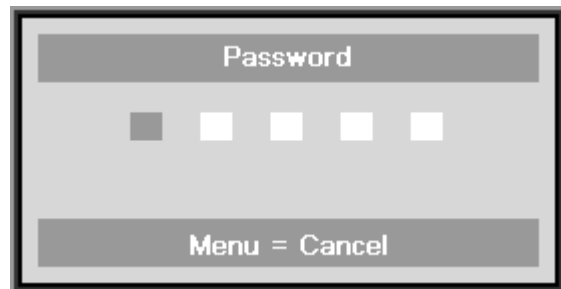
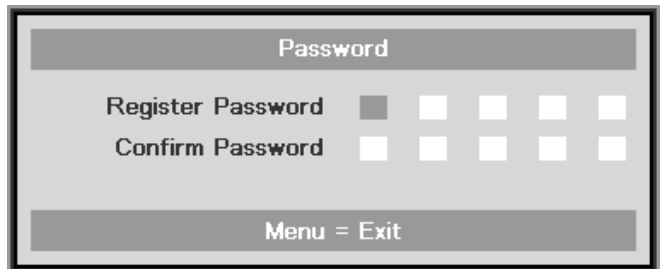
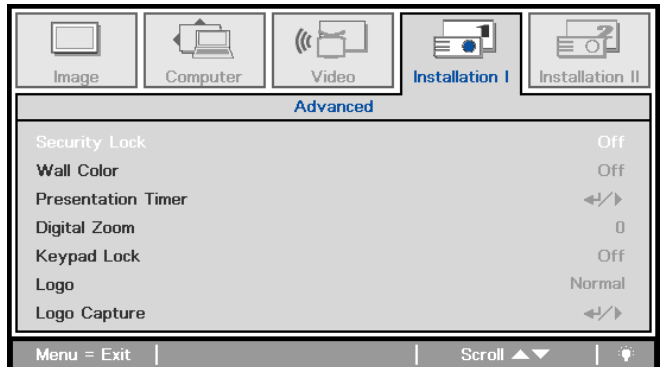
5. Press the ◀▶ buttons to enable or disable security lock function.

A password dialog box automatically appears.

6. You can use the cursor buttons ▲▼◀▶ on IR remote control for password entry. You can use any combination including the same arrow five times, but five characters must be used.

Press the cursor buttons in any order to set the password. Push the **MENU** button to exit the dialog box.

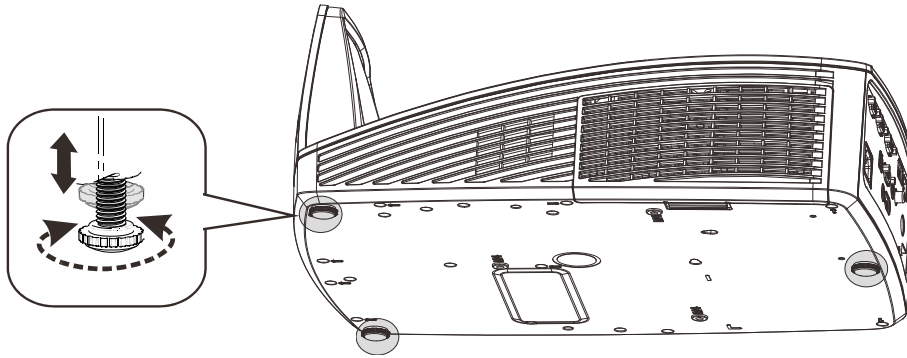
7. If the **Security Lock** is enabled, the user will be prompted to enter a password when the projector's power button is pressed. Enter the password in the order you set it at step 5. In case you forget the password, please contact the service center. Service center will validate the owner and help reset the password.



Adjusting the Projector Level

Take note of the following when setting up the projector:

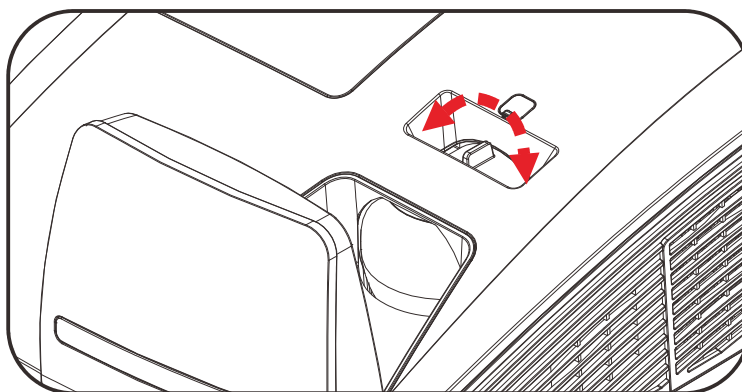
- *The projector table or stand should be level and sturdy.*
- *Position the projector so that it is perpendicular to the screen.*
- *Ensure the cables are in a safe location. You could trip over them.*



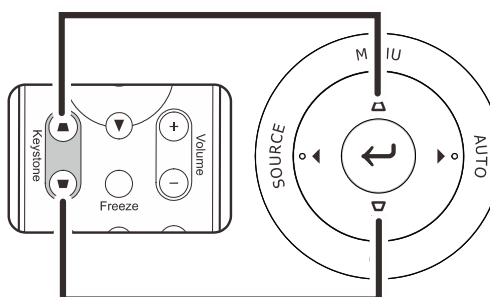
To adjust the angle of the picture, turn the tilt-adjuster right or left until the desired angle has been achieved.

Adjusting the Focus and Keystone

1. Use the **Image-focus** control (on the projector only) to sharpen the projected image.



2. Use the **KEYSTONE** buttons the remote control to correct trapezoid image issues (wider top or bottom).

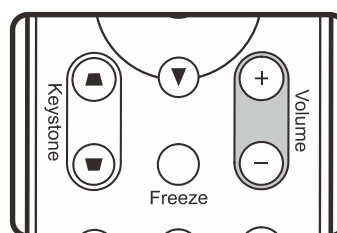


3. The keystone control appears on the display.



Adjusting the Volume

1. Press the **Volume +/-** buttons on the remote control. The volume control appears on the display.



2. Press the **MUTE** button to turn off the volume. (This feature is available only on the remote).

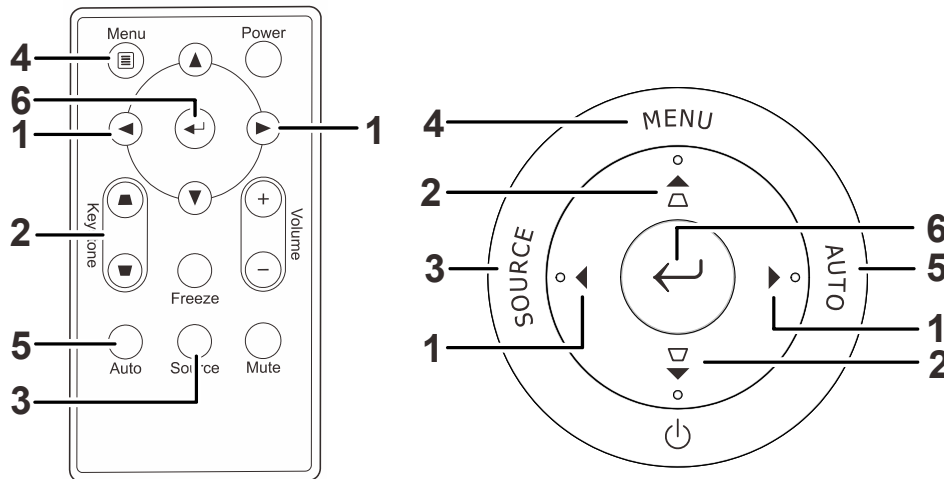


ON-SCREEN DISPLAY (OSD) MENU SETTINGS

OSD Menu Controls

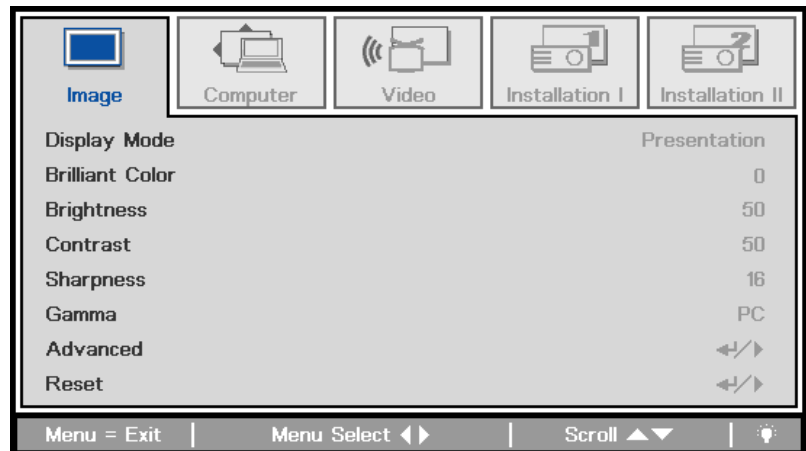
The projector has an OSD that lets you make image adjustments and change various settings.

Navigating the OSD



You can use the remote control cursor button to navigate and make changes to the OSD.

1. To enter the OSD, press the **MENU** button.
2. There are five menus. Press the ◀▶ buttons to move through the menus.
3. Press the ▲▼ buttons to move up and down in a menu.
4. Press ◀▶ to change setting values.
5. Press **MENU** to close the OSD or leave a submenu.



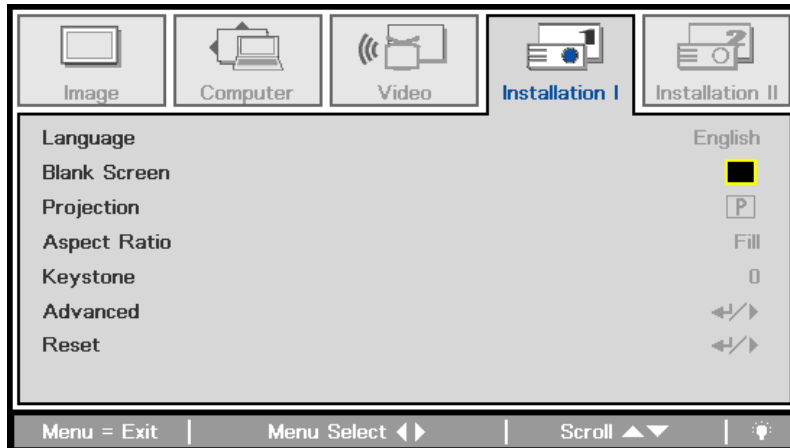
Note:

Depending on the video source, not all items in the OSD are available. For example, the **Horizontal/Vertical Position** items in the **Computer** menu can only be modified when connected to a PC. Items that are not available cannot be accessed and are grayed out.

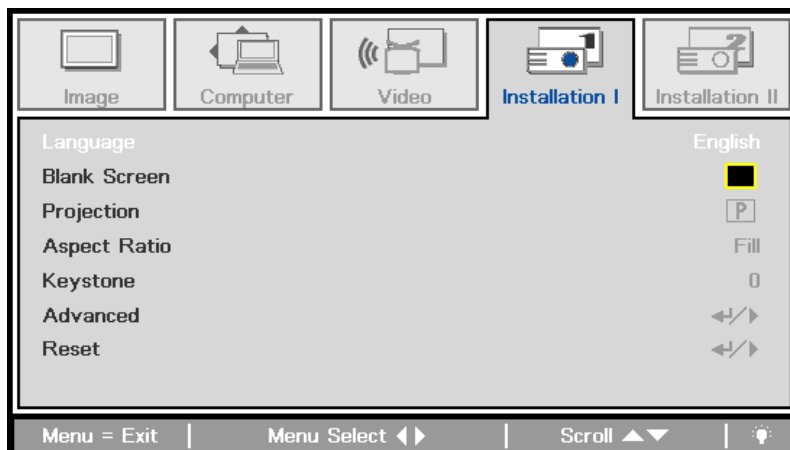
Setting the OSD Language

Set the OSD language to your preference before continuing.

1. Press the **MENU** button. Press the ◀▶ buttons to navigate to Installation I.



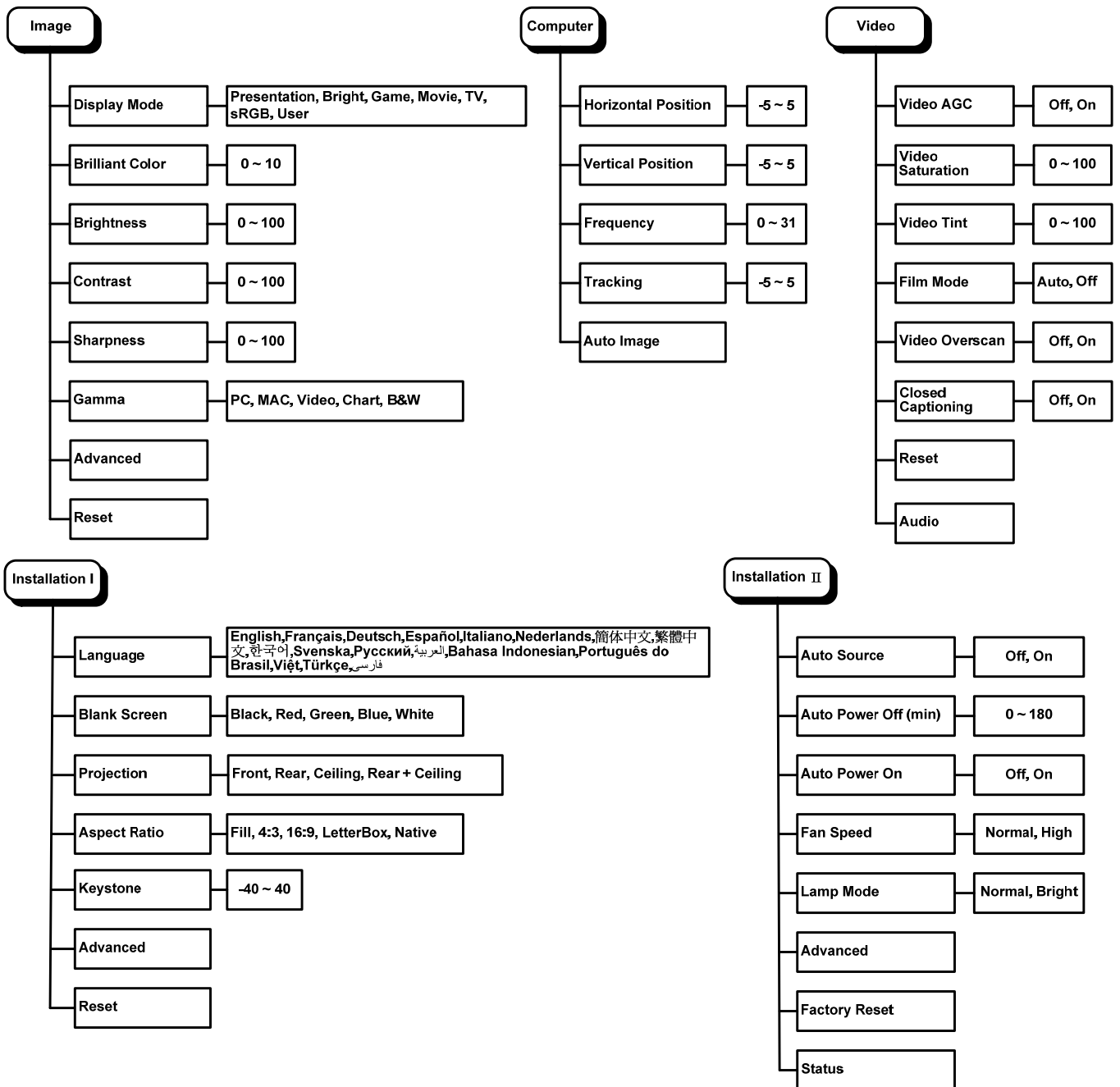
2. Press the ▲▼ buttons until **Language** is highlighted.



3. Press the ◀▶ buttons until the language you want is highlighted.
4. Press the **MENU** button twice to close the OSD.

OSD Menu Overview

Use the following illustration to quickly find a setting or determine the range for a setting.



OSD Sub-Menu Overview

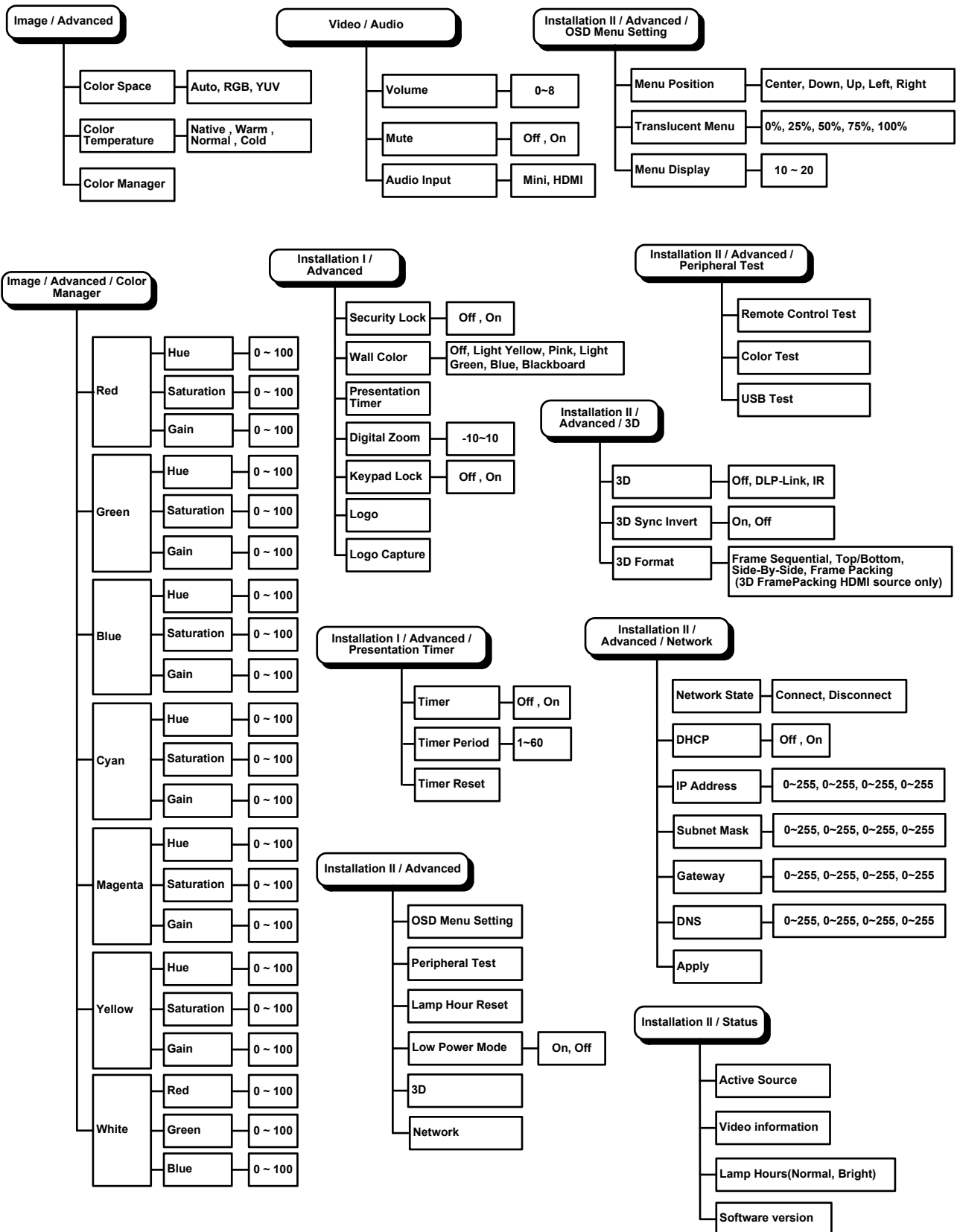
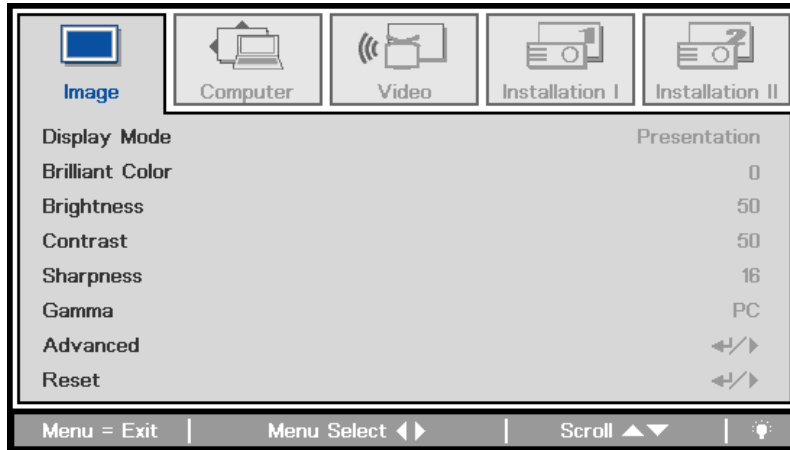


Image Menu

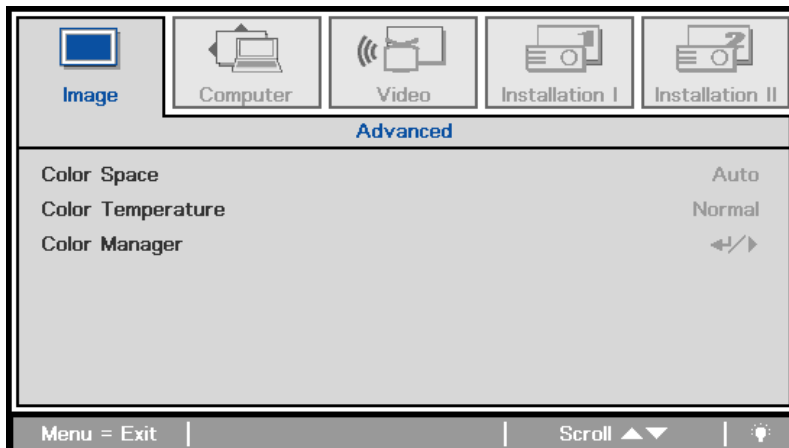
Press the **MENU** button to open the **OSD** menu. Press the ◀▶ buttons to move to the **Image Menu**. Press the ▲▼ buttons to move up and down in the **Image** menu. Press ◀▶ to change setting values.



ITEM	DESCRIPTION
Display Mode	Press the ◀▶ buttons to set the Display Mode. Note: Display Mode must be set to "Detail" in order to access the other Image menu items.
Brilliant Color	Press the ◀▶ buttons to adjust the Brilliant Color value.
Brightness	Press the ◀▶ buttons to adjust the display brightness.
Contrast	Press the ◀▶ buttons to adjust the display contrast.
Sharpness	Press the ◀▶ buttons to adjust the display sharpness level.
Gamma	Press the ◀▶ buttons to adjust the gamma correction of the display.
Advanced	Press ◀ (Enter) / ▶ to enter the Advanced menu. See <i>Advanced Feature</i> on page 21.
Reset	Press ◀ (Enter) / ▶ to reset all settings to default values.

Advanced Features

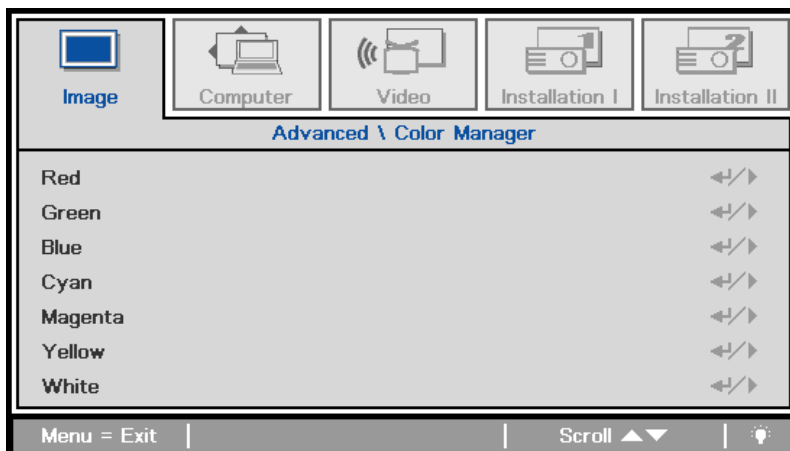
Press the **Menu** button to open the **OSD** menu. Press ◀▶ to move to the **Image** menu. Press ▼▲ to move to the **Advanced** menu and then press **Enter** or ▶. Press ▼▲ to move up and down in the **Advanced** menu.



ITEM	DESCRIPTION
Color Space	Press the ◀▶ buttons to adjust the color space. (Range: Auto – RGB – YUV)
Color Temperature	Press the ◀▶ buttons to adjust the color temperature. (Range: Native – Warm – Normal – Cold)
Color Manager	Press ◀ (Enter) / ▶ to enter the color manager menu. (Range: Red – Green – Blue – Cyan-Magenta – Yellow – White). See page 22 for more information on <i>Color Manager</i> .

Color Manager

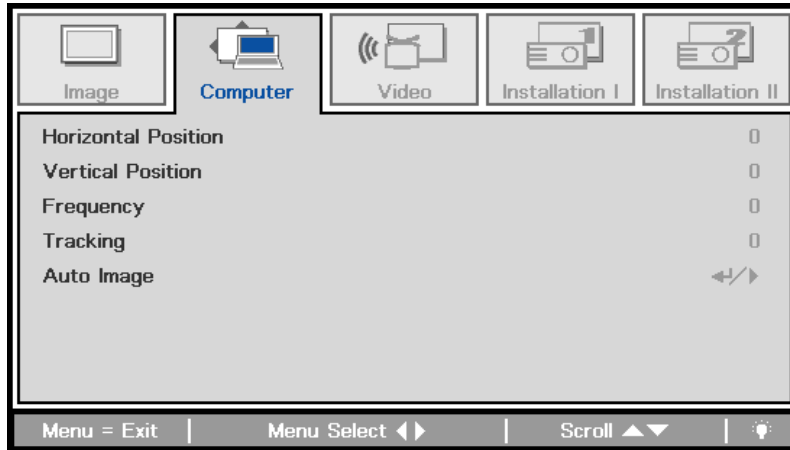
Press ◀ (Enter) / ▶ to enter the **Color Manager** sub menu.



ITEM	DESCRIPTION
Red	Select to enter the Red Color Manager. Press the ◀▶ buttons to adjust the Hue, Saturation, and Gain.
Green	Select to enter the Green Color Manager. Press the ◀▶ buttons to adjust the Hue, Saturation, and Gain.
Blue	Select to enter the Blue Color Manager. Press the ◀▶ buttons to adjust the Hue, Saturation, and Gain.
Cyan	Select to enter the Cyan Color Manager. Press the ◀▶ buttons to adjust the Hue, Saturation, and Gain.
Magenta	Select to enter the Magenta Color Manager. Press the ◀▶ buttons to adjust the Hue, Saturation, and Gain.
Yellow	Select to enter the Yellow Color Manager. Press the ◀▶ buttons to adjust the Hue, Saturation, and Gain.
White	Select to enter the White Color Manager. Press the ◀▶ buttons to adjust the Red, Green, and Blue.

Computer Menu

Press the **MENU** button to open the **OSD** menu. Press the ◀▶ buttons to move to the **Computer** menu. Press the ▲▼ buttons to move up and down in the computer menu. Press ◀▶ to change setting values.



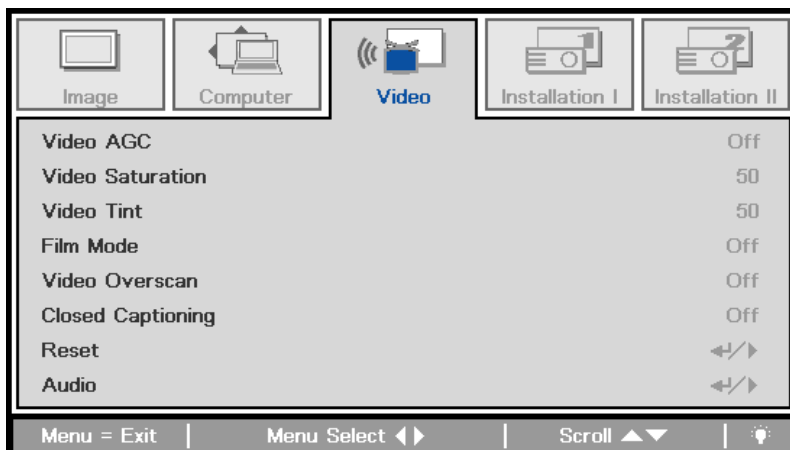
ITEM	DESCRIPTION
Horizontal Position	Press the ◀▶ buttons to adjust the display position to left or right.
Vertical Position	Press the ◀▶ buttons to adjust the display position to up or down.
Frequency	Press the ◀▶ buttons to adjust the A/D sampling clock.
Tracking	Press the ◀▶ buttons to adjust the A/D sampling dot.
Auto Image	Press ◀ (Enter) / ▶ to automatically adjustment for phase, tracking, size and position.

Video Menu

Press the **MENU** button to open the **OSD** menu. Press the ◀▶ buttons to move to the **Video** menu. Press the ▲▼ buttons to move up and down in the **Video** menu. Press ◀▶ to change setting values.

Note:

Available settings vary depending on the input source. Others will appear grayed out.



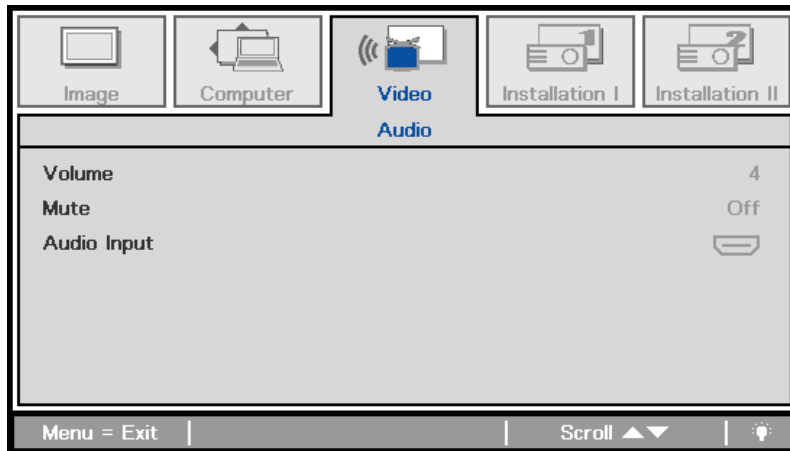
ITEM	DESCRIPTION
Video AGC	Press the ◀▶ buttons to enable or disable the Automatic Gain Control for video source.
Video Saturation	Press the ◀▶ buttons to adjust the video saturation.
Video Tint	Press the ◀▶ buttons to adjust the video tint/hue.
Film Mode	Press the ◀▶ buttons to select a different film mode.
Video Overscan	Press the ◀▶ buttons to enable or disable video over scan.
Closed Captioning	Press the ◀▶ buttons to enable or disable closed captioning.
Reset	Press ◀↵ (Enter) / ▶ to reset all settings to default values.
Audio	Press ◀↵ (Enter) / ▶ to o enter the Audio menu. See <i>Audio</i> on page 25.

Note:

Video jaggging may occur when playing interlace video. To overcome this issue, open the Video menu and adjust the Film Mode feature.

Audio

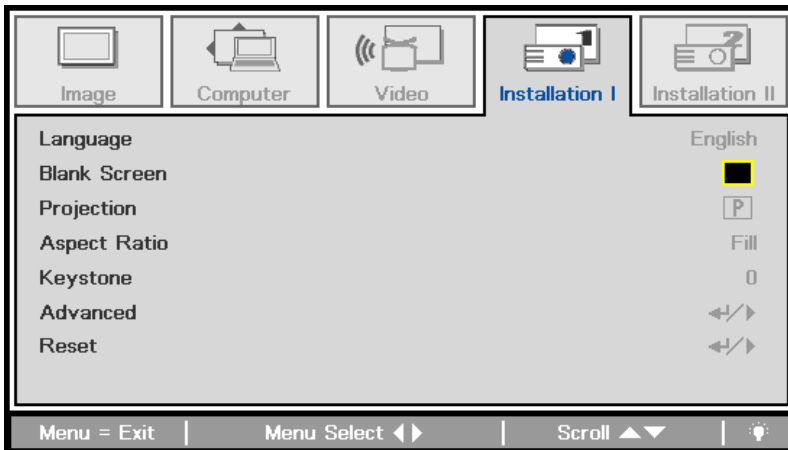
Press ◀ (Enter) / ▶ to enter the **Audio** sub menu.



ITEM	DESCRIPTION
Volume	Press the ◀▶ buttons to adjust the audio volume.
Mute	Press the ◀▶ buttons to turn on or off the speaker.
Audio Input	Press the ◀▶ buttons to select audio input.

Installation I Menu

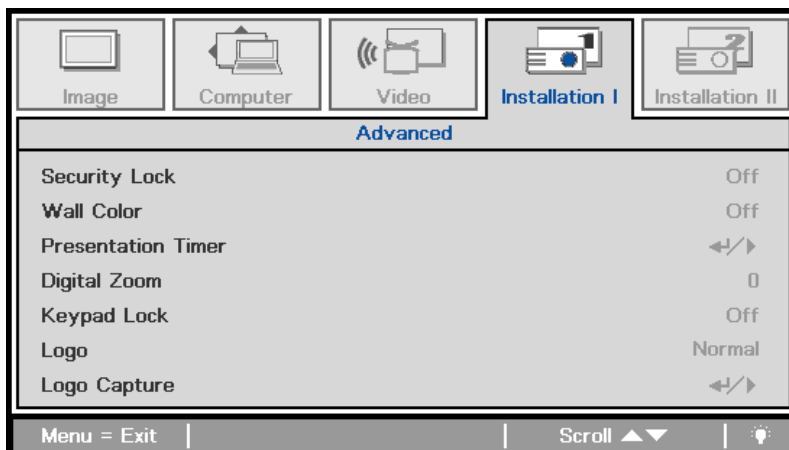
Press the **MENU** button to open the **OSD** menu. Press the ◀▶ buttons to move to the **Installation I** menu. Press the ▲▼ buttons to move up and down in the **Installation I** menu. Press ◀▶ to change setting values.



ITEM	DESCRIPTION
Language	Press the ◀▶ buttons to change the OSD language.
Blank Screen	Press the ◀▶ buttons to select a different blank screen color.
Projection	Press the ◀▶ buttons to choose between different projection methods (Ceiling, Rear, etc.).
Aspect Ratio	Press the ◀▶ buttons to adjust the video aspect ratio. Note: This feature is unavailable when WhiteBoard is being used.
Keystone	Press the ◀▶ buttons to adjust the display keystone.
Advanced	Press ◀ (Enter) / ▶ to access the Advanced menu. See <i>Advanced Features</i> on page 27.
Reset	Press ◀ (Enter) / ▶ to reset all settings to default values (except Language).

Advanced Features

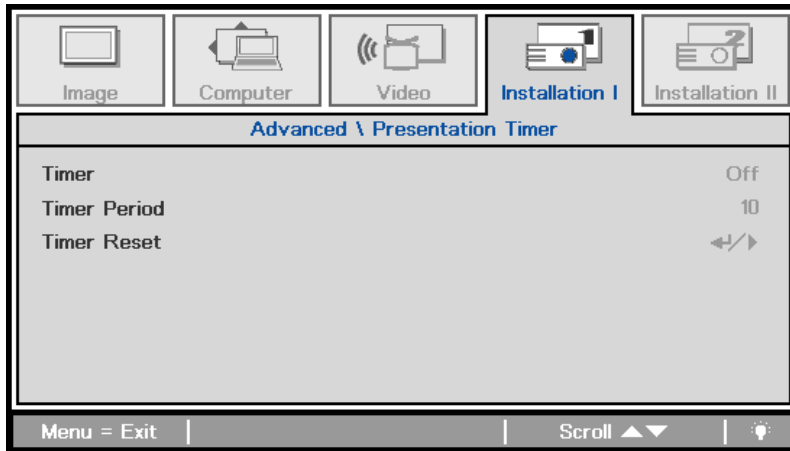
Press the **Menu** button to open the **OSD** menu. Press ◀▶ to move to the **Installation I** menu. Press ▲▼ to move to the **Advanced** menu and then press **Enter** or ▶. Press ▲▼ to move up and down in the **Advanced** menu. Press ◀▶ to change setting values.



ITEM	DESCRIPTION
Security Lock	Press the ◀▶ buttons to enable or disable the security lock function.
Wall Color	Press the ◀▶ buttons to enable or disable the wall color function. (Off/ Light Yellow/ Pink/ Light Green/ Blue/ Blackboard)
Presentation Timer	Press ◀ (Enter) / ▶ to go to the Presentation Timer Menu. See <i>Presentation Timer</i> below.
Digital Zoom	Press the ◀▶ buttons to adjust the Digital Zoom menu.
Keypad Lock	Press the ◀▶ buttons to enter and enable or disable keys can be work on keypad.
Logo	Press the ◀▶ buttons to enter and select logo.
Logo Capture	Press ◀ (Enter) / ▶ to capture screen pattern to Logo.

Presentation Timer

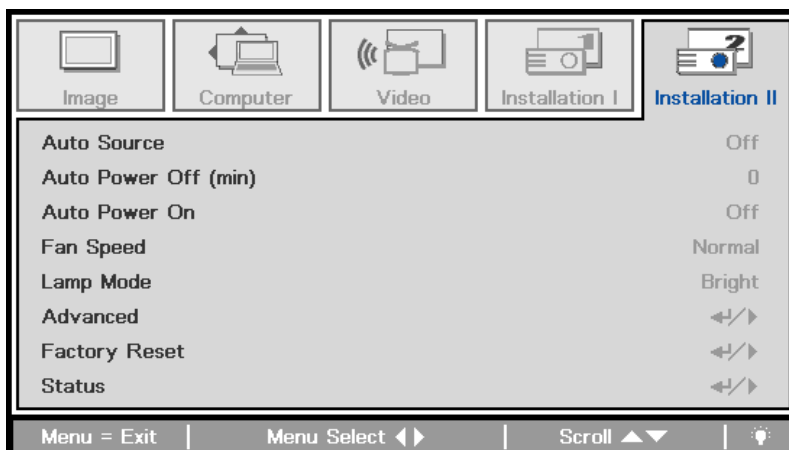
The Presentation Timer function can indicate the presentation time on the screen to help you achieve better time management while giving a presentation.



ITEM	DESCRIPTION
Timer	Press the ◀▶ buttons to enable or disable the presentation timer.
Timer Period	Press the ◀▶ buttons to select the timer period (1 ~ 60 minutes)
Timer Reset	Press ◀ (Enter) / ▶ to reset the timer settings.

Installation II Menu

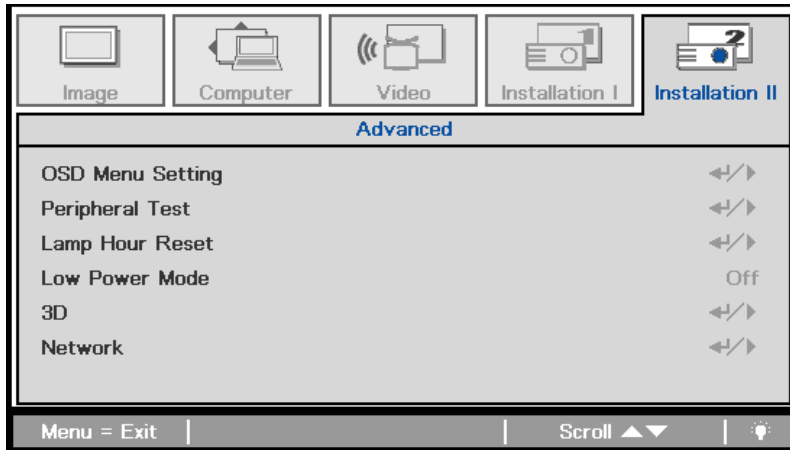
Press the **MENU** button to open the **OSD** menu. Press the ◀▶ buttons to move to the **Installation II** menu. Press the ▲▼ buttons to move up and down in the Installation II menu.



ITEM	DESCRIPTION
Auto Source	Press the ◀▶ buttons to enable or disable automatic source detection.
Auto Power Off (min.)	Press the ◀▶ buttons to enable or disable automatic shutdown of lamp when there is no signal.
Auto Power On	Press the ◀▶ buttons to enable or disable automatic power On when AC power is supplied.
Fan Speed	Press the ◀▶ buttons to toggle between Normal and High fan speeds. Note: It is recommended that the Fan Speed be set to high speed when the altitude of the environment is higher than 1500m (4021 ft).
Lamp Mode	Press the ◀▶ buttons to select the lamp mode for higher brightness or lower brightness to save lamp life.
Advanced	Press ◀ (Enter) / ▶ to enter the Advanced menu. See <i>Advanced Feature</i> on page 30.
Factory Reset	Press ◀ (Enter) / ▶ to reset all items to factory preset values.
Status	Press ◀ (Enter) / ▶ to enter the Status menu. See page 38 for more information on <i>Status</i> .

Advanced Features

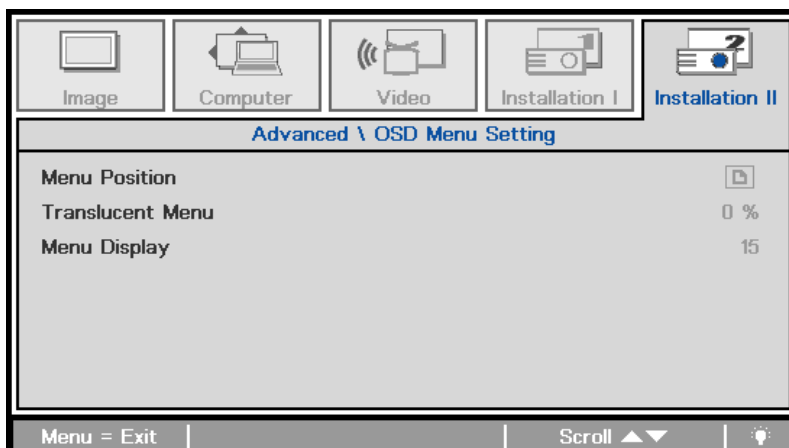
Press the **Menu** button to open the **OSD** menu. Press ◀▶ to move to the **Installation II** menu. Press ▲▼ to move to the **Advanced** menu and then press **Enter** or ▶. Press ▲▼ to move up and down in the **Advanced** menu. Press ◀▶ to change setting values.



ITEM	DESCRIPTION
OSD Menu Setting	Press ◀ (Enter) / ▶ to enter the OSD setting menu. See page 31 for more information on <i>OSD Menu Setting</i> .
Peripheral Test	Press ◀ (Enter) / ▶ to enter the Peripheral Test menu. See page 31 for more information on <i>Peripheral Test</i> .
Lamp Hour Reset	After replacing the lamp, this item should be reset. See page 41 for more information on <i>Resetting the Lamp</i> .
Low Power Mode	Press ◀▶ to turn Low Power Mode on or off.
3D	Press ◀ (Enter) / ▶ to enter the 3D menu. See page 33 for more information on <i>3D</i> settings.
Network	Press ◀ (Enter) / ▶ to enter the Network menu. See page 34 for more information on <i>Network</i> settings.

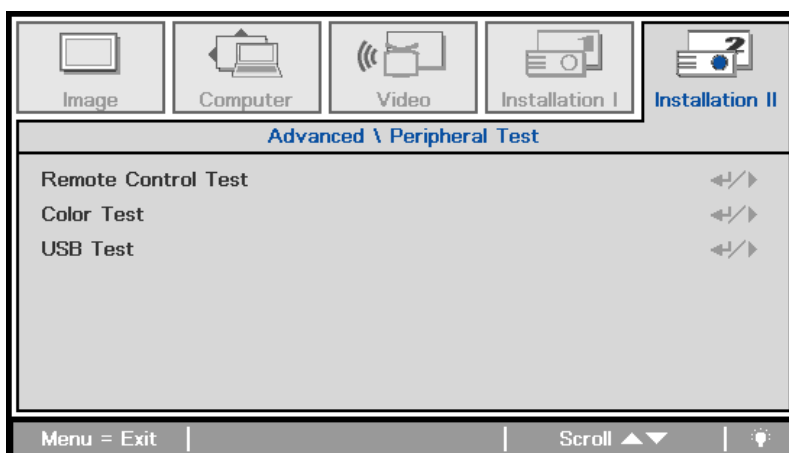
Note:
 To enjoy the 3D function, first enable the Play Movie in 3D setting found in your DVD device under the 3D Disc Menu.

OSD Menu Setting



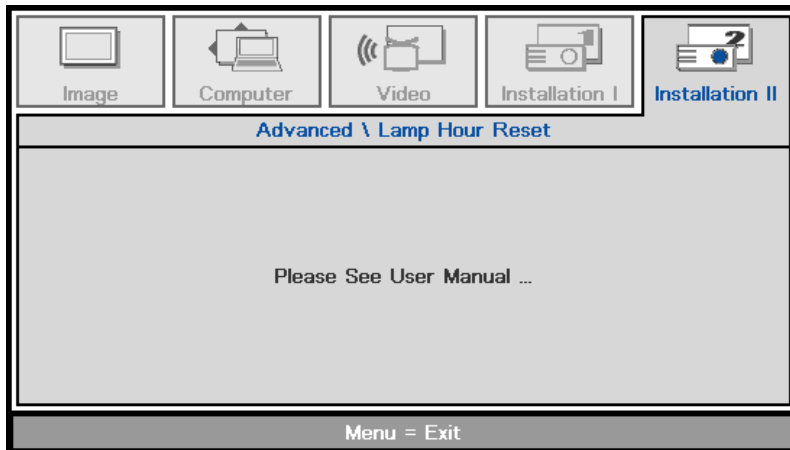
ITEM	DESCRIPTION
Menu Position	Press the ◀▶ buttons to select a different OSD location.
Translucent Menu	Press the ◀▶ buttons to select the OSD background translucent level.
Menu Display	Press the ◀▶ buttons to select the OSD timeout delay.

Peripheral Test



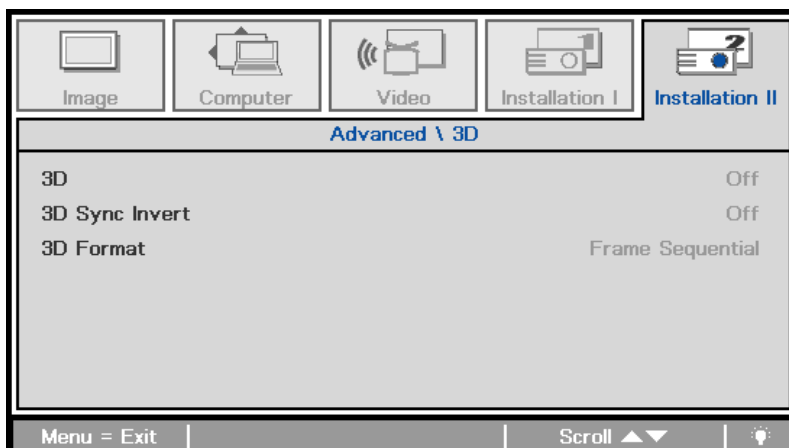
ITEM	DESCRIPTION
Remote Control Test	Press ◀ (Enter) / ▶ to test the IR remote controller for diagnostic purposes.
Color Test	Press ◀ (Enter) / ▶ to select different color test patterns. Used for calibration and testing purposes.
USB Test	Press ◀ (Enter) / ▶ to test the USB connection with the connected PC.

Lamp Hour Reset



Please refer to *Resetting the Lamp* on page 41 to reset the lamp hour counter.

3D

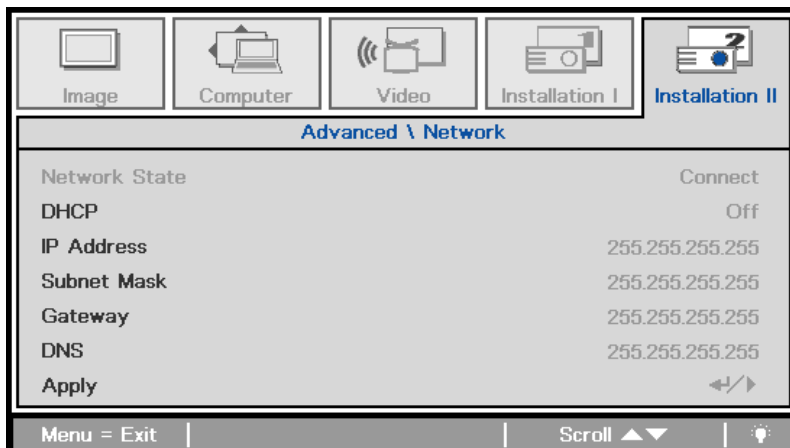


ITEM	DESCRIPTION
3D	Press the ◀▶ buttons to select Off, DLP-Link or IR.
3D Sync Invert	Press the ◀▶ buttons to turn 3D Sync Invert On or Off.
3D Format	Press the ◀▶ buttons to enable or disable 3D Format.

Note:

1. By default, if no 3D source is detected, the 3D OSD menu items will not be available.
2. When the projector is connected to an appropriate 3D source, the 3D OSD menu items are available for selection.
3. Use 3D glasses to view a 3D image.
4. You need 3D content from a 3D DVD or 3D media file.
5. You need to enable the 3D source (some 3D DVD content may have a 3D on-off selection feature).
6. You need DLP link 3D or IR 3D shutter glasses. With IR 3D shutter glasses, you need to install a driver on your PC and connect a USB emitter.
7. The 3D mode of the OSD needs to match the type of glasses (DLP link or IR 3D).
8. Power on the glasses. Glasses normally have a power on -off switch. Each type of glasses has their own configuration instructions. Please follow the configuration instructions that come with your glasses to finish the setup process.

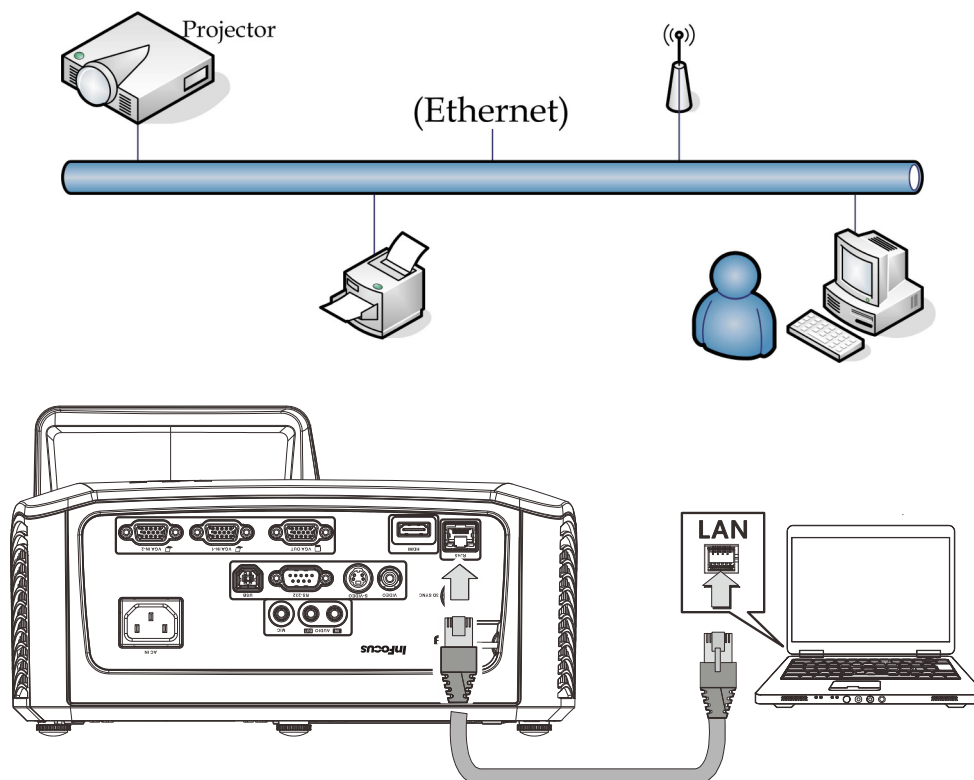
Network



ITEM	DESCRIPTION
Network State	Displays the network connection status.
DHCP	Press ◀▶ to turn DHCP On or Off. Note: If you select DHCP Off, complete the IP Address, Subnet Mask, Gateway, and DNS fields.
IP Address	Enter a valid IP address if DHCP is turned off.
Subnet Mask	Enter a valid Subnet Mask if DHCP is turned off.
Gateway	Enter a valid Gateway address if DHCP is turned off.
DNS	Enter a valid DNS name if DHCP is turned off.
Apply	Press ◀ (Enter) / ▶ to confirm settings.

For simplicity and ease of operation, the projector provides diverse networking and remote management features.

The LAN/RJ45 feature allows the projector to be connected to a network and remotely managed. Available remote management controls include: Power On/Off, Video-Source, Brightness and Contrast settings, Sound-Mute, etc.



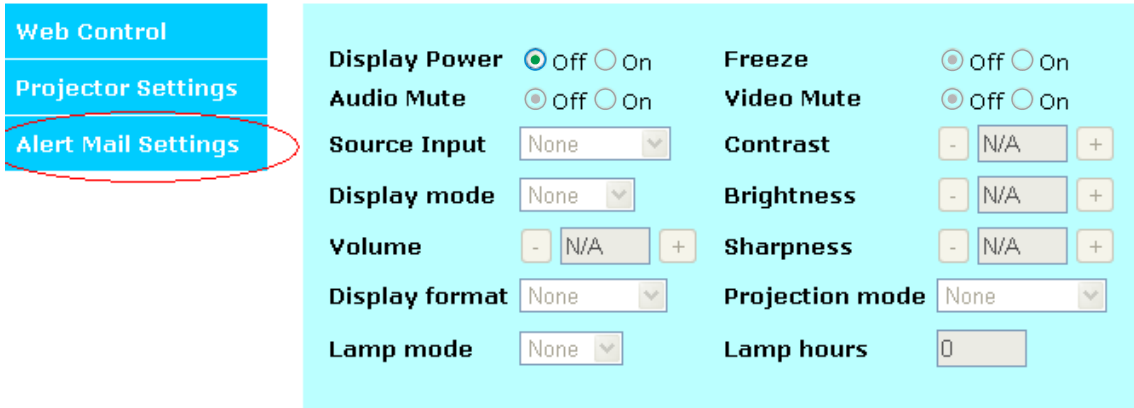
Enter the Projector IP address shown in the SETUP >> Basic >> Lan Control Setting >> Network State menu. Note: DHCP must be on. The LAN/RJ45 Web Control window displays as follows:

Web Control			
Projector Settings			
Alert Mail Settings			
Display Power	<input checked="" type="radio"/> Off <input type="radio"/> On	Freeze	<input type="radio"/> Off <input type="radio"/> On
Audio Mute	<input type="radio"/> Off <input type="radio"/> On	Video Mute	<input checked="" type="radio"/> Off <input type="radio"/> On
Source Input	None	Contrast	- N/A +
Display mode	None	Brightness	- N/A +
Volume	- N/A +	Sharpness	- N/A +
Display format	None	Projection mode	None
Lamp mode	None	Lamp hours	0

Preparing Email Alerts

1. Make sure that user can access the homepage of LAN RJ45 function by web browser (for example, Microsoft Internet Explorer v6.01/v8.0).

2. From the Homepage of LAN/RJ45, click **Alert Mail Settings**.



3. By default, the input boxes in **Alert Mail Settings** are blank.



4. To setup email alerts, input the following:

- . The **SMTP** field is the mail server for sending out email (SMTP protocol).
This is a required field.
- . The **To** field is the recipient's email address (for example, the projector administrator). This is a required field.
- . The **Cc** field sends a carbon copy of the alert to the specified email address.
This is an optional field (for example, the projector administrator's assistant).
- . The **From** field is the sender's email address (for example, the projector administrator).
This is a required field.
- . Select the alert conditions by checking the desired boxes.

- Web Control
- Projector Settings
- Alert Mail Settings

Send E-Mail

Enter the appropriate settings in the fields below:
(Your SMTP server may not require a user name or password.)

MAC Address:

SMTP Server: **Port:**

User Name:

Password:

From:

To:

CC:

E-mail Alert Options:

Fan lock : **Over_Heat:**

Case Open: **Lamp Fail:**

Lamp Hours Over:

Note: Fill in all fields as specified. Select the desired alert condition and click **Submit** to conduct an **Email Alert Test**. A successful test alerts the designated email accounts. To create an email alert, you must select alert conditions and enter a correct email address.

Group and **Name** identify the alerting projector and are located at the bottom of the alert mail as shown below:

- Web Control
- Projector Settings
- Alert Mail Settings

Projector Setting

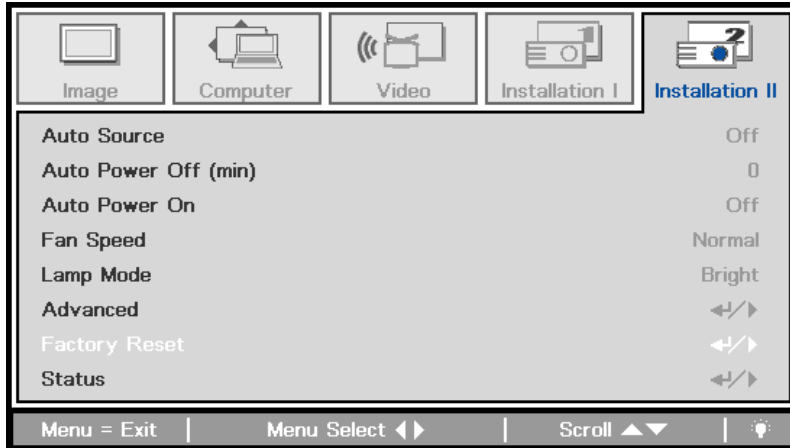
Enter the Projector settings in the fields below:

Group:

Name:

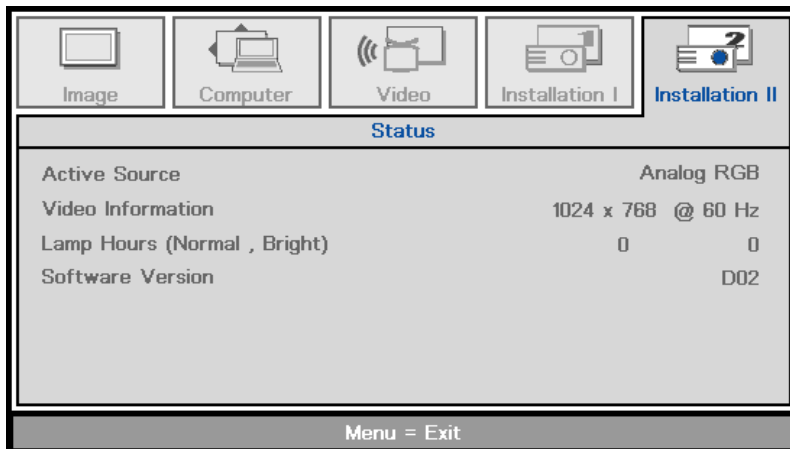
Factory Reset

Press the ▲▼ buttons to move up and down in the **Installation II** menu. Select the **Factory Reset** sub menu and press ← (Enter) / → to reset all the menu items to the factory default values (except Language and Security Lock).



Status

Press the ▲▼ buttons to move up and down in the **Installation II** menu. Select the **Installation II** sub menu and press ← (Enter) / → to enter the **Status** sub menu.



ITEM	DESCRIPTION
Active Source	Displays the current active source type.
Video Information	Displays resolution/video information for the RGB source and color standard for the Video source.
Lamp Hours (Normal, Bright)	Displays the number of normal and bright hours that the lamp has been used.
Software version	Displays the Software version of the projector.

MAINTENANCE AND SECURITY

Replacing the Projection Lamp

The projection lamp should be replaced when it burns out. It should only be replaced with a certified replacement part, which you can order from your local dealer.

Important:

- a. *The projection lamp used in this product contains a small amount of mercury.*
- b. *Do not dispose this product with general household waste.*
- c. *Disposal of this product must be carried out in accordance with the regulations of your local authority.*



Warning:

Be sure to turn off and unplug the projector at least 30 minutes before replacing the lamp. Failure to do so could result in a severe burn.

Caution:

In rare cases the lamp bulb may burn out during normal operation and cause glass dust or shards to be discharged outward from the rear exhaust vent.

Do not inhale or do not touch glass dust or shards. Doing so could result in injury.

Always keep your face away from the exhaust vent so that you do not suffer from the gas and broken shards of the lamp.

When removing the lamp from a ceiling-mounted projector, make sure that no one is under the projector. Glass fragments could fall if the lamp has been burned out.



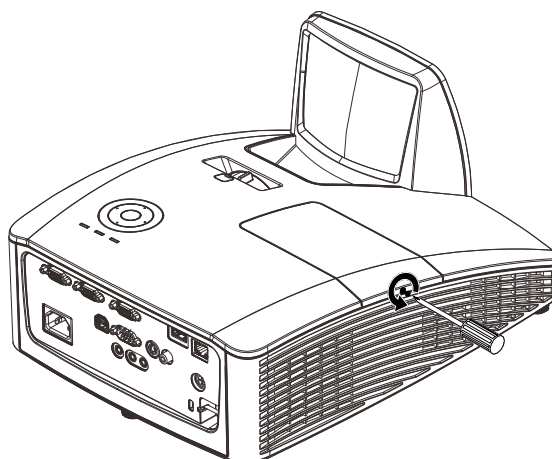
IF A LAMP EXPLODES

If a lamp explodes, the gas and broken shards may scatter inside the projector and they may come out of the exhaust vent. The gas contains toxic mercury.

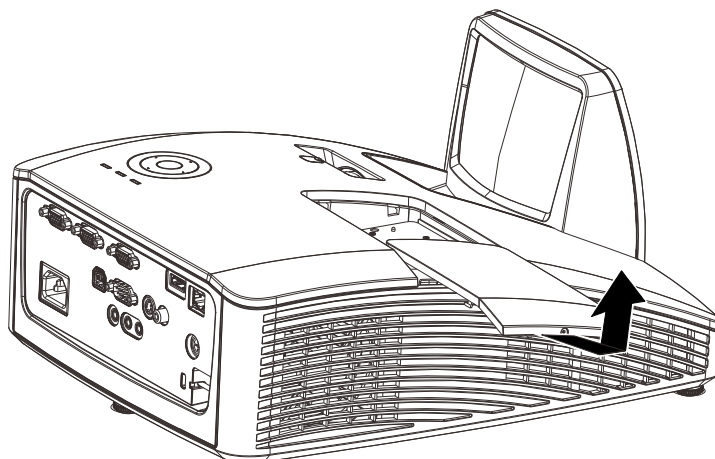
Open windows and doors for ventilation.

If you inhale the gas or the shards of the broken lamp enter your eyes or mouth, consult a doctor immediately.

1. Remove the single screw on the lamp compartment cover.



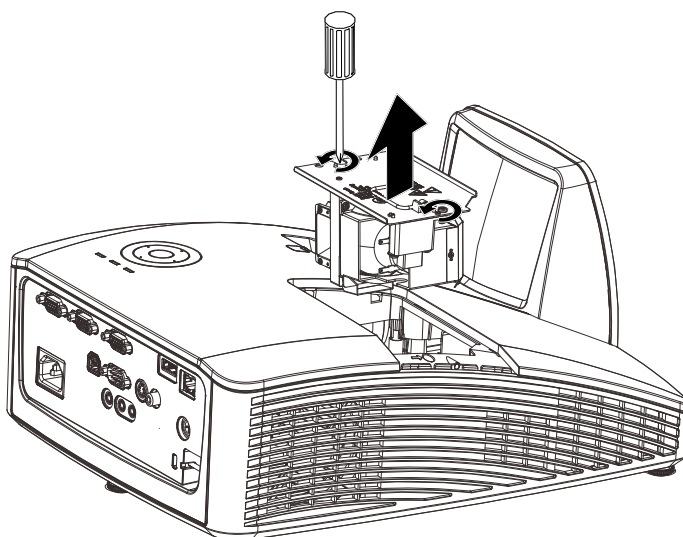
2. Remove the lamp compartment cover.



3. Loosen the two screws from the lamp module.

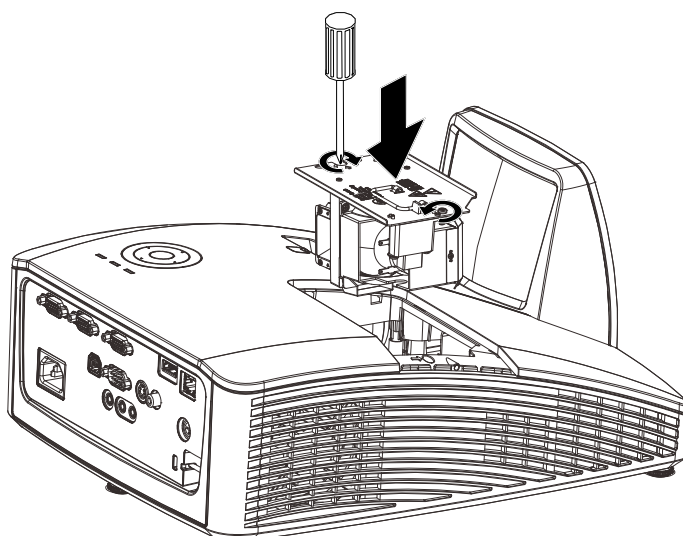
4. Lift the module handle up.

5. Pull firmly on the module handle to remove the lamp module.



6. Reverse steps 1 to 5 to install the new lamp module.
While installing, align the lamp module with the connector and ensure it is level to avoid damage.

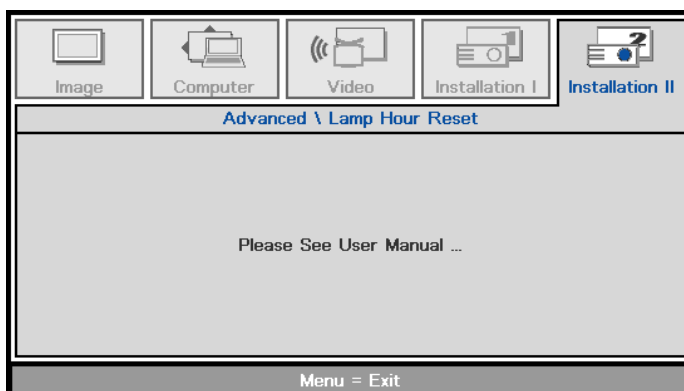
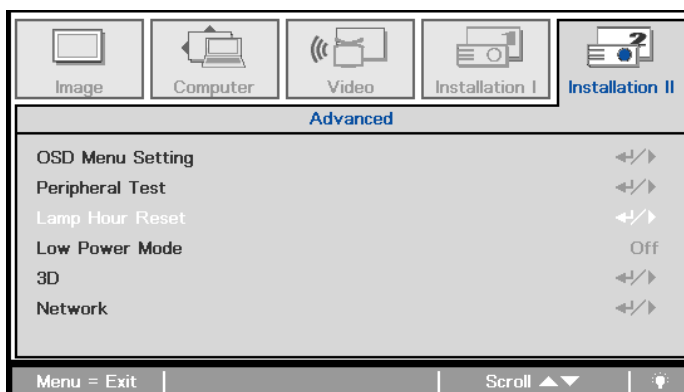
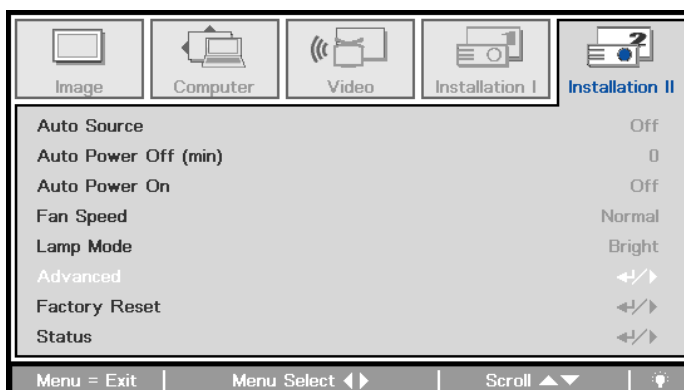
Note: The lamp module must sit securely in place and the lamp connector must be connected properly before tightening the screws.



Resetting the Lamp

After replacing the lamp, you should reset the lamp hour counter to zero. Refer to the following:

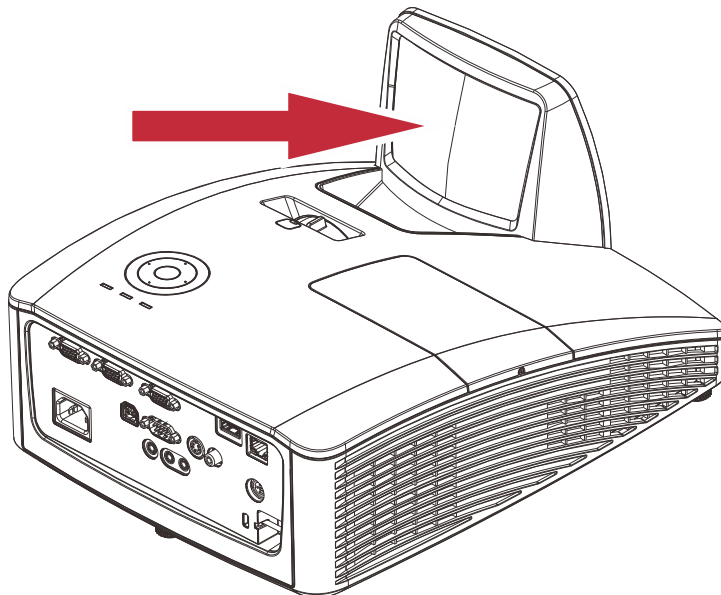
1. Press the **MENU** button to open the OSD menu.
2. Press the ◀▶ buttons to move to the **Installation II** menu. Press the cursor button to move down to **Advanced**.
3. Press the ▼▲ buttons to move down to **Lamp Hour Reset**.
4. Press the ▶ or Enter button.
A message screen appears.
5. Press the arrow keys in the following order to reset the lamp hours: ▼▲◀▶
6. Press the **MENU** button to return to Installation II.



Cleaning the Projector

Cleaning the projector to remove dust and grime will help ensure trouble-free operation.

Cleaning the Projector Mirror:



1. Remove dust the lens with a lens blower (available from most camera shops) to prevent scratching the mirror when it is wiped.
2. Gently wipe the lens with a lens cleaning cloth, or alternately, use a lens cleaning tissue in conjunction with a small amount of lens cleaning fluid.

Cautions:

1. Always turn the projector off and allow to cool for at least 30 minutes prior to cleaning.
2. Never touch the projector mirror or lens directly by hand.
3. Only use lens cleaning tissues. Rough cloth can damage the lens and mirror.
4. Do not use abrasive cleaners, solvents or other harsh chemical cleaners.

Cleaning the Case

Follow these instructions to clean the projector case:

1. Wipe off dust with a clean dampened cloth.
2. Moisten the cloth with warm water and mild detergent (such as used to wash dishes), and then wipe the case.
3. Rinse all detergent from the cloth and wipe the projector again.

Caution:

To prevent discoloration or fading of the case, do not use abrasive alcohol-based cleaners.



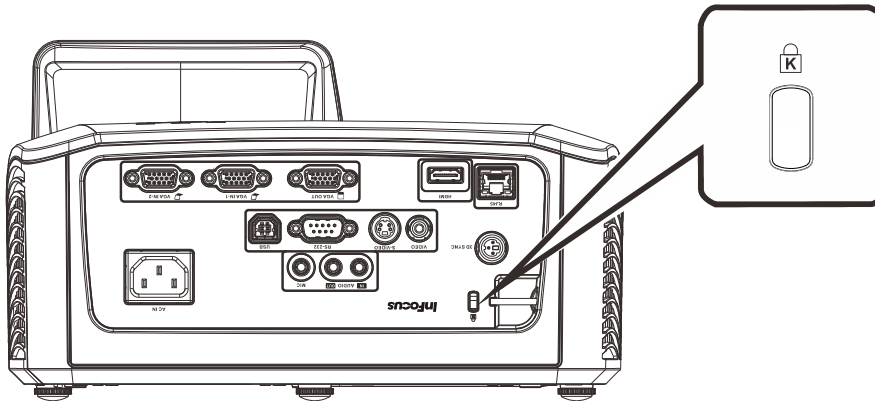
Warning:

1. *Be sure to turn off and unplug the projector at least 30 minutes before cleaning. Failure to do so could result in a severe burn.*
2. *Use only a dampened cloth when cleaning. Do not allow water to enter the ventilation openings on the projector.*
3. *If a little water gets into the projector interior while cleaning, leave it unplugged in a well-ventilated room for several hours before using.*
4. *If a lot of water gets into the projector interior when cleaning, have the projector serviced.*

Using the Physical Lock

Using the Kensington® Lock

If you are concerned about security, attach the projector to a permanent object with the Kensington slot and a security cable.



Note:

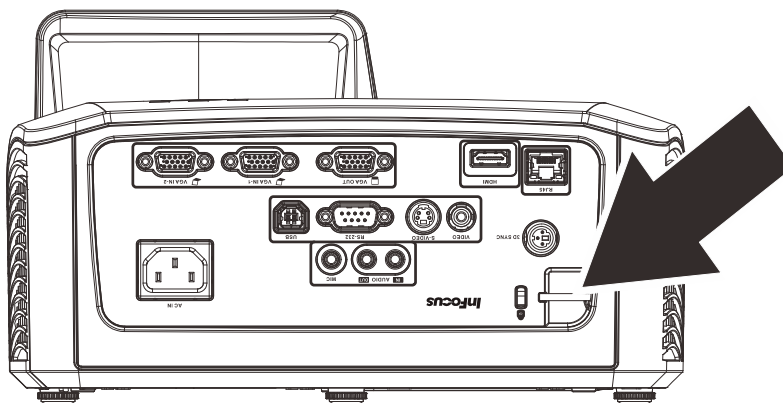
Contact your vendor for details on purchasing a suitable Kensington security cable.

The security lock corresponds to Kensington's MicroSaver Security System. If you have any comments, contact: Kensington, 2853 Campus Drive, San Mateo, CA 94403, U.S.A. Tel: 800-535-4242, <http://www.Kensington.com>.

Using the Security Bar

In addition to the password protection function and the Kensington lock, the Security Bar helps protect the projector from unauthorized removal.

See the following picture.



TROUBLESHOOTING

Common problems and solutions

These guidelines provide tips to deal with problems you may encounter while using the projector. If the problem remains unsolved, contact your dealer for assistance.

Often after time spent troubleshooting, the problem is traced to something as simple as a loose connection. Check the following before proceeding to the problem-specific solutions.

- *Use some other electrical device to confirm that the electrical outlet is working.*
- *Ensure the projector is turned on.*
- *Ensure all connections are securely attached.*
- *Ensure the attached device is turned on.*
- *Ensure a connected PC is not in standby mode.*
- *Ensure a connected notebook computer is configured for an external display. (This is usually done by pressing a Fn-key combination on the notebook).*

Tips for Troubleshooting

In each problem-specific section, try the steps in the order suggested. This may help you to solve the problem more quickly.

Try to pin point the problem and thus avoid replacing non-defective parts. For example, if you replace batteries and the problem remains, put the original batteries back and go to the next step.

Keep a record of the steps you take when troubleshooting: The information may be useful when calling for technical support or for passing on to service personnel.

LED Error Messages

ERROR CODE MESSAGES	POWER LED GREEN	LAMP LED AMBER	TEMP LED RED
Power On	ON	OFF	OFF
Power Off	ON	OFF	OFF
Cooling	Flashing	OFF	OFF
Over Temperature	OFF	OFF	ON
Thermal Break Sensor error	4 blinks	OFF	OFF
Lamp error	OFF	ON	OFF
Fan 1	6 blinks	1 blink	OFF
Fan 2	6 blinks	2 blinks	OFF
Fan 3	6 blinks	3 blinks	OFF
Fan 4	6 blinks	4 blinks	OFF
Lamp Door Open	7 blinks	OFF	OFF
DMD error	8 blinks	OFF	OFF
Color wheel error	9 blinks	OFF	OFF

In the event of an error, please disconnect the AC power cord and wait for one (1) minute before restarting the projector. If the POWER or LAMP LEDs continue to blink or the TEMP LED is lit, contact your service center.

Image Problems

Problem: No image appears on the screen

1. Verify the settings on your notebook or desktop PC.
2. Turn off all equipment and power up again in the correct order.

Problem: The image is blurred

1. Press the **Auto** button on the remote control or projector.
2. Ensure the projector-to-screen distance is within the specified range.
3. Check that the projector lens is clean.

Problem: The image is wider at the top or bottom (trapezoid effect)

1. Position the projector so it is as perpendicular to the screen as possible.
2. Use the **Keystone** button on the remote control or projector to correct the problem.

Problem: The image is reversed

Check the **Projection** setting on the **Installation I** menu of the OSD.

Problem: The image is streaked

1. Set the **Frequency** and **Tracking** settings on the **Computer** menu of the OSD to the default settings.
2. To ensure the problem is not caused by a connected PC's video card, connect to another computer.

Problem: The image is flat with no contrast

Adjust the **Contrast** setting on the **Image** menu of the OSD.

Problem: The color of the projected image does not match the source image.

Adjust the **Color Temperature** and **Gamma** settings on the **Image** menu of the OSD.

Lamp Problems

Problem: There is no light from the projector

1. Check that the power cable is securely connected.
2. Ensure the power source is good by testing with another electrical device.
3. Restart the projector in the correct order and check that the Power LED is on.
4. If you have replaced the lamp recently, try resetting the lamp connections.
5. Replace the lamp module.
6. Put the old lamp back in the projector and have the projector serviced.

Problem: The lamp goes off

1. Power surges can cause the lamp to turn off. Re-plug power cord. When the POWER LED is on, press the power button.
2. Replace the lamp module.
3. Put the old lamp back in the projector and have the projector serviced.

Remote Control Problems

Problem: The projector does not respond to the remote control

1. Direct the remote control towards remote sensor on the projector.
2. Ensure the path between remote and sensor is not obstructed.
3. Turn off any fluorescent lights in the room.
4. Check the battery polarity.
5. Replace the batteries.
6. Turn off other Infrared-enabled devices in the vicinity.
7. Have the remote control serviced.

Having the Projector Serviced

If you are unable to solve the problem, you should have the projector serviced. Pack the projector in the original carton. Include a description of the problem and a checklist of the steps you took when trying to fix the problem: The information may be useful to service personnel. To arrange for service, contact InFocus Technical Support at <http://www.infocus.com/support>.

HDMI Q & A

Q. What is the difference between a “Standard” HDMI cable and a “High-Speed” HDMI cable?

1. Recently, HDMI Licensing, LLC announced that cables would be tested as Standard or High-Speed cables.
2. Standard (or “category 1”) HDMI cables have been tested to perform at speeds of 75Mhz or up to 2.25Gbps, which is the equivalent of a 720p/1080i signal.
3. High Speed (or “category 2”) HDMI cables have been tested to perform at speeds of 340Mhz or up to 10.2Gbps, which is the highest bandwidth currently available over an HDMI cable and can successfully handle 1080p signals including those at increased color depths and/or increased refresh rates from the Source. High-Speed cables are also able to accommodate higher resolution displays, such as WQXGA cinema monitors (resolution of 2560 x 1600).

Q. How do I run HDMI cables longer than 10 meters?

4. There are many HDMI Adapters working on HDMI solutions that extend a cable's effective distance from the typical 10 meter range to much longer lengths. These companies manufacture a variety of solutions that include active cables (active electronics built into cables that boost and extend the cable's signal), repeaters, amplifiers as well as CAT5/6 and fiber solutions.

Q. How can I tell if a cable is an HDMI certified cable?

5. All HDMI products are required to be certified by the manufacturer as part of the HDMI Compliance Test Specification. However, there may be instances where cables bearing the HDMI logo are available but have not been properly tested. HDMI Licensing, LLC actively investigates these instances to ensure that the HDMI trademark is properly used in the market. We recommend that consumers buy their cables from a reputable source and a company that is trusted.

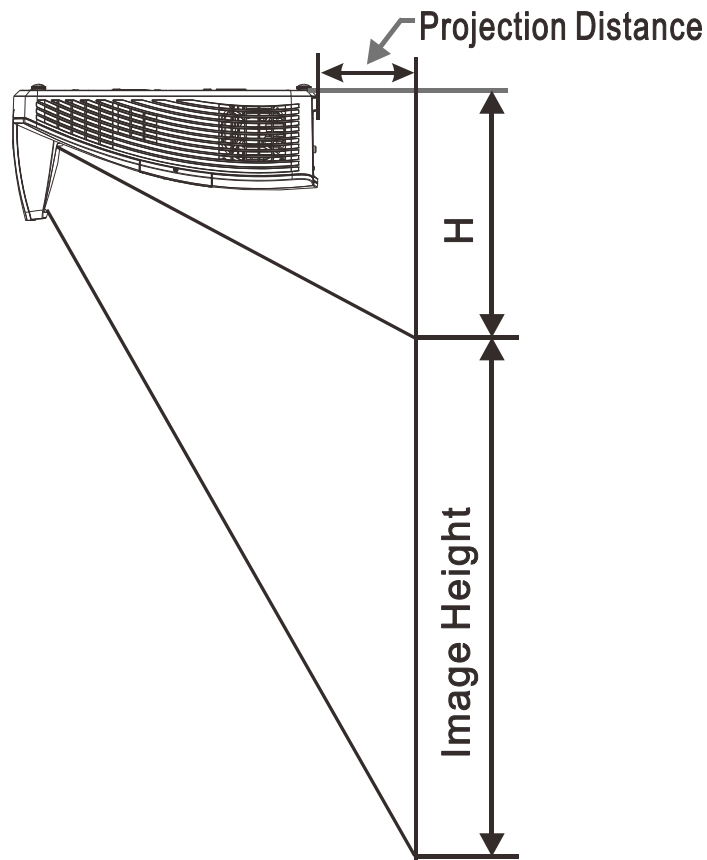
For more detail information check <http://www.hdmi.org/learningcenter/faq.aspx#49>

SPECIFICATIONS

Specifications

Model	IN134UST	IN136UST
Display type	DMD 0.55" XGA	DMD 0.65" WXGA
Native Resolution	XGA 1024 x 768 Native	WXGA 1280 x 800 Native
Projection distance	371~417mm	336~421mm
Projection screen size (diagonal)	4:3 (68"~85")	16:10 (80"~100")
Projection lens	Manual Focus	
Throw ratio	0.437	0.35
Vertical keystone correction	+/- 40 degrees	
Projection methods	Front, Rear, Desktop/Ceiling (Rear, Front)	
Data compatibility	VGA, SVGA, XGA, SXGA, UXGA, Mac	
SDTV/EDTV/ HDTV	480i, 576i, 480p, 576p, 720p, 1080i, 1080p	
Video compatibility	NTSC/NTSC 4.43, PAL (B/G/H/I/M/N/60), SECAM	
H-Sync	15, 31 – 91.4 kHz	
V-Sync	24-30 Hz, 47-120 Hz	
Safety certification	FCC, UL/cUL, CE, CCC, KC, UL-S, TUV/GS, ECA-PCT, SASO, SABS, PSB, CECP, NOM, C-Tick	
Operation temperature	5° ~ 40°C	
Dimensions (W x D x H)	287.7 mm x 374.5 mm x 160 mm	
AC Input	AC Universal 100 ~ 240V	
Power consumption	260W(Eco), <0.5 watt(Stand By) / 290W(Standard), <0.5 watt(Stand By)	
Lamp	230W	
Audio speaker	10W x2	
Input Terminals	VGA x 2	
	Mini jack x 1 (Audio In)	
	Composite Video x 1	
	HDMI x 1	
	S-Video x 1	
	MIC x 1	
Output Terminals	VGA x 1 (Loop Thru only for VGA IN-1)	
	Mini jack x 1 (Audio out)	
Control Terminals	RS-232C	
	RJ45	
	USB (type B)	
	3D sync	
Security	Kensington lock	

Projection Distance vs. Projection Size



Projection Distance and Size Table

	IN136UST			
	WXGA			
	16:10			
Diagonal	80"	87"	97"	100"
Distance	282.3+/-20mm	336.3+/-20mm	421.4+/-20mm	445.8+/-20mm
Image Width	1723mm	1869mm	2088mm	2154mm
Image Height	1077mm	1168mm	1305mm	1346mm
H	280+/-50mm	298.5+/-50mm	325.5+/-50mm	336.9+/-50mm

	IN134UST			
	XGA			
	4:3			
Diagonal	68"	78"	82"	85"
Distance	282.3+/-20mm	371.4+/-20mm	417.35+/-20mm	445.8+/-20mm
Image Width	1382mm	1566mm	1670mm	1727mm
Image Height	1036mm	1175mm	1240mm	1295mm
H	301.3+/-50mm	334.8+/-50mm	350.8+/-50mm	363.7+/-50mm

Timing Mode Table

The projector can display several resolutions. The following table outlines the resolutions that can be displayed by the projector.

SIGNAL	RESOLUTION	H-SYNC (KHz)	V-SYNC (Hz)	COMPOSITE S_VIDEO	COMPONENT	RGB (ANALOG)	DVI/ HDMI (DIGITAL)
NTSC	—	15.734	60.0	○	—	—	—
PAL/SECAM	—	15.625	50.0	○	—	—	—
VESA	720 x 400	31.5	70.1	—	—	○	○
	640 x 480	31.5	60.0	—	—	○	○
	640 x 480	37.9	72.8	—	—	○	○
	640 x 480	37.5	75.0	—	—	○	○
	800 x 600	35.2	56.3	—	—	○	○
	* 800 x 600	37.9	60.3	—	—	○	○
	800 x 600	46.9	75.0	—	—	○	○
	800 x 600	48.1	72.2	—	—	○	○
	800 x 600	53.7	85.1	—	—	○	○
	** 800 x 600	76.3	120.0	—	—	○	○
	* 1024 x 768	48.4	60.0	—	—	○	○
	1024 x 768	56.5	70.1	—	—	○	○
	1024 x 768	60.0	75.0	—	—	○	○
	1024 x 768	68.7	85.0	—	—	○	○
	** 1024 x 768	97.6	120.0	—	—	○	○
	1024 x 768	99.0	120.0	—	—	○	○
	1152 x 864	67.5	75.0	—	—	○	○
	* 1280 x 720	45.0	60.0	—	—	○	○
	** 1280 x 720	90.0	120.0	—	—	○	○
	1280 x 768	47.4	60.0	—	—	○	○
* 1280 x 768	47.8	59.9	—	—	○	○	
* 1280 x 800	49.7	59.8	—	—	○	○	
1280 x 800	62.8	74.9	—	—	○	○	
1280 x 800	71.6	84.9	—	—	○	○	
** 1280 x 800	101.6	119.9	—	—	○	○	

SIGNAL	RESOLUTION	H-SYNC (KHz)	V-SYNC (Hz)	COMPOSITE S_VIDEO	COMPONENT	RGB (ANALOG)	DVI/ HDMI (DIGITAL)
	*** 1280 x 1024	64.0	60.0	—	—	○	○
	1280 x 1024	80.0	75.0	—	—	○	○
	1280 x 1024	91.1	85.0	—	—	○	○
	*** 1280 x 960	60.0	60.0	—	—	○	○
	1280 x 960	85.9	85.0	—	—	○	○
	*** 1360 x 768	47.7	60.0	—	—	○	○
	*** 1400 x 1050	65.3	60.0	—	—	○	○
	1440 x 900	55.5	59.9	—	—	○	○
	*** 1440 x 900	55.9	59.9	—	—	○	○
	1440 x 900	70.6	75.0	—	—	○	○
	1600 x 1200	75.0	60	—	—	○	○
	1680 x 1050	64.7	59.9	—	—	○	○
	1680 x 1050	65.3	60.0	—	—	○	○
	1920 x 1200RB	74.0	60.0	—	—	○	○
	1920 x 1080	67.5	60.0	—	—	○	○
Apple Macintosh	640 x 480	35.0	66.7	—	—	○	○
	832 x 624	49.7	74.5	—	—	○	○
	1024 x 768	60.2	74.9	—	—	○	○
	1152 x 870	68.7	75.1	—	—	○	○
SDTV	480i	15.734	60.0	—	○	—	○
	576i	15.625	50.0	—	○	—	○
EDTV	576P	31.3	50.0	—	○	—	○
	480P	31.5	60.0	—	○	—	○
HDTV	720P	37.5	50.0	—	○	—	○
	720P	45.0	60.0	—	○	—	○
	1080i	33.8	60.0	—	○	—	○
	1080i	28.1	50.0	—	○	—	○
	1080P	27.0	24.0	—	○	—	○
	1080P	28.0	25.0	—	○	—	○
	1080P	33.7	30.0	—	○	—	○

SIGNAL	RESOLUTION	H-SYNC (KHz)	V-SYNC (Hz)	COMPOSITE S_VIDEO	COMPONENT	RGB (ANALOG)	DVI/ HDMI (DIGITAL)
	1080P	56.3	50.0	—	○	—	○
	1080P	67.5	60.0	—	○	—	○

O: Frequency supported

—: Frequency not supported

★3D note :

“★” means the timing can support non-3D and 3D signals with Frame Sequential and Top-Bottom format.

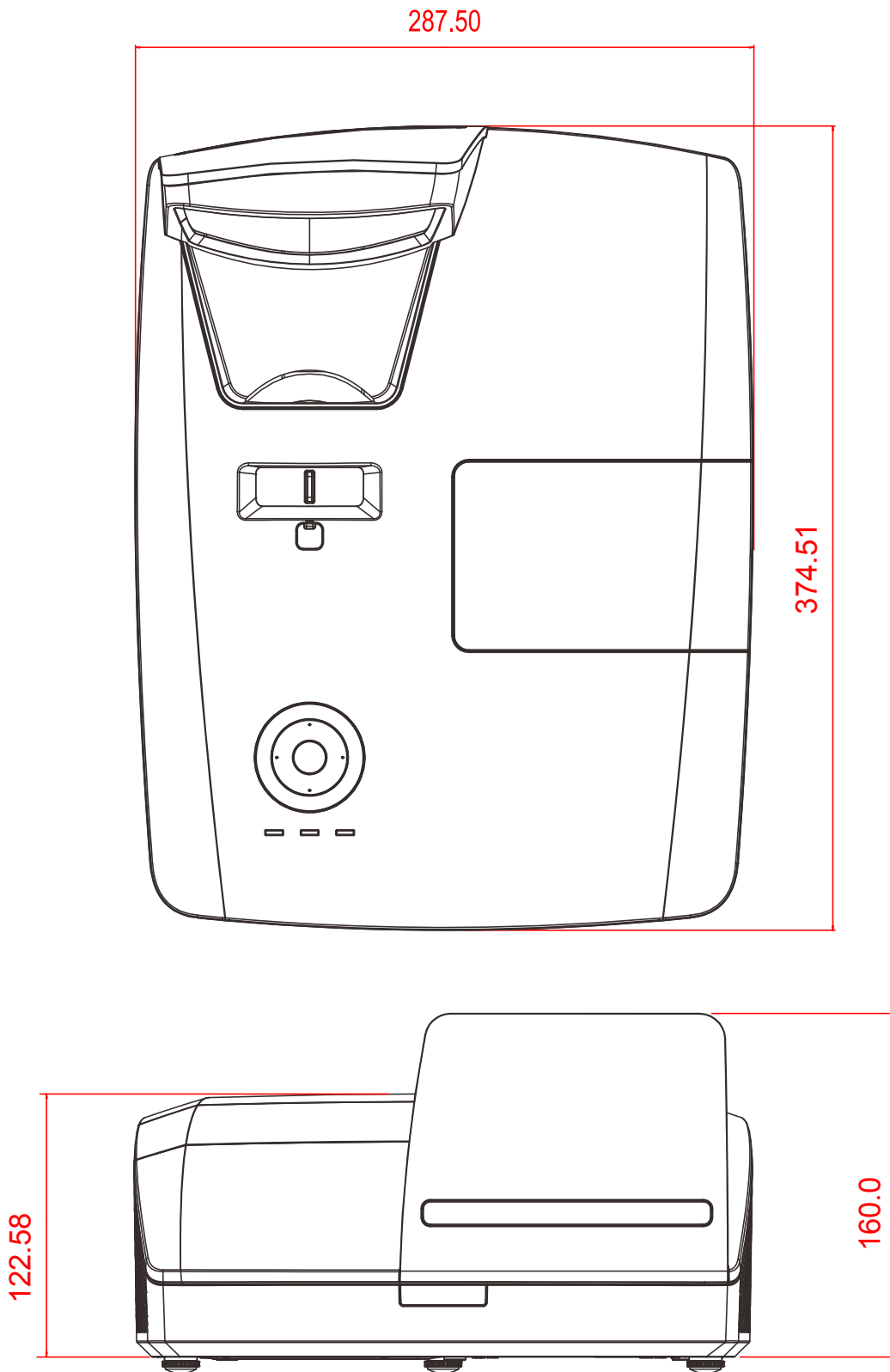
“★★” means the timing can support non-3D and 3D signals with Frame Sequential format.

“★★★” means the timing can support non-3D and 3D signals with Top-Bottom format.

Depending on the EDID files and display cards of the 3D source, it is possible the user will not be able to choose any of the above 3D timings.

- ★ The projector's native resolution is 1280 x 800. If the resolution of the source is different than 1280 x 800, the projector may display uneven sized text and lines.
- ★ Signal types highlighted yellow can only be displayed in 4:3 mode.
- ★ Signal types highlighted in blue may display small amounts of noise. This is because the Video Sync mode cannot adjust these signals automatically.
- ★ The DVD player monitors HDTV time. VG828 is secondary to the DVD player.
- ★ RB=Reduced Blacking

Projector Dimensions



REGULATORY COMPLIANCE

FCC Warning

This equipment has been tested and found to comply with the limits for a Class B digital device pursuant to Part 15 of the FCC Rules. These limits are designed to provide reasonable protection against harmful interference when the equipment is operated in a commercial environment.

This equipment generates, uses, and can radiate radio frequency energy and, if not installed and used in accordance with the instruction manual, may cause harmful interference to radio communications. Operation of this equipment in a residential area is likely to cause harmful interference in which case the user will be required to correct the interference at his/her own expense.

Changes or modifications not expressly approved by the parties responsible for compliance could void the user's authority to operate the equipment.

Canada

This class B digital apparatus complies with Canadian ICES-003.

Safety Certifications

FCC, UL/cUL, CE, CCC, KC, UL-S, TUV/GS, ECA-PCT, SASO, SABS, PSB, CECP, NOM, C-Tick

Communication

The following table describes the serial communication configuration that should be used when interfacing to the CLI via the serial port.

Windows HyperTerminal or Procomm are two tools that can be used to send CLI commands across the serial port.

Setting	Value
Bits per second	19200
Data bits	8
Parity	None
Stop bits	1
Flow control	None
Emulation	VT100

No	Function	Command	RW	Min	Max	Default	Step	Parameter
1	AC Power On (Auto power on)	APO	RW	0	1	0	1	0: Disable; 1: Enable
3	Aspect Ratio	ARZ	RW	0	4	0	1	0:Fill 1:4:3 2:16:9 3:Letterbox 4:Native
4	Auto Image	AIM	W	n/a	1	1	1	1: Enable
5	Auto Off Time	AOT	RW	0	36	6	1	0: Never 1: 5min 2,3...5, 6: 30min (Default 6*5=30) 7,8...35, 36: 180min
6	Auto Source	ASC	RW	0	1	1	1	0: Disable; 1: Enable
7	Blank Screen	BLK	RW	0	1	0	1	0: Disable; 1: Enable
9	Brightness	BRT	RW	0	100	50	1	Display Mode=User only
11	Ceiling (Projection mode)	CEL	RW	0	3	0	1	0:Front 1:Rear 2:Ceiling 3:Ceiling+Rear
12	Closed Captions: Non-Muted	CLC	RW	0	1	0	1	Off On (CC1)
14	Color	CLR	RW	0	100	50	1	Video SVideo only = saturation
15	Color Space	CSM	RW	0	2	0	1	Display Mode=User only 0:Auto 1:RGB 2:YUV

No	Function	Command	RW	Min	Max	Default	Step	Parameter
16	Color Temp	TMP	RW	0	3	Source Specific	1	Display Mode=User only 0:Native 1:Warm 2:Normal 3:Cold
17	Contrast	CON	RW	0	100	50	1	Display Mode=User only
18	Current Source	SRC	RW	0	4	0	1	0:VGA1 1:VGA2 5:HDMI 12:Composite 13:S-Video
21	Digital Zoom	DZM	RW	-10	10	0	5	-10~10
27	Error Condition	ERR	R	n/a	n/a	n/a	n/a	0:No error 1:Lamp not lit after 5 Attempts 3:Lamp went out unexpectedly 4:Fan failure 5:Overheating 8:DMD error 9:Color wheel
28	Factory Reset	RST	W	n/a	1	1	1	1:Reset
32	Freeze Screen	FRZ	RW	0	1	0	1	0: Disable
34	Gamma	GTB	RW	0	4	Source Specific	1	Display Mode=User only 0:PC 1:MAC 2:Video 3:Chart 4:B&W
40	Horz. Position	HPS	RW	x	x	0	1	RGB source only (HPS?) to get range
45	Lamp Hours in High Power (Normal) Mode	LMO	R	0	9999			Displays the numbers of hours that the lamp has run in High Power (Normal) mode.
46	Lamp Hours in Low Power (Eco) Mode	LME	R	0	9999			Displays the numbers of hours that the lamp has run in Low Power (Eco) mode.
47	Lamp Life	LIF	R	n/a	5000			230W lamp life 5000
49	Lamp Resets (Total number)	LMR	R	0	9999	0	1	
62	Lamp Low Power	IPM	RW	0	1	0	1	1=Normal, 0=Bright

No	Function	Command	RW	Min	Max	Default	Step	Parameter
63	Language	LAN	RW	0	20	0	1	0:English 1:French 2:German 3:Spanish 4: Simp Chinese 5: Trad Chinese 6: Italian 7: Norwegian 8: Swedish 9: Dutch 10:Russian 11: Finnish 12: Korean 13: Arabic 14: Turkish 15: Japanese 16: Brazilian Portuguese 17: Vietnamese 18:Danish 19:Polish 20: Bahasa Indonesian 21: Persian
77	Menu	MNU	RW	0	1	0	1	0: Clear; 1: Display
79	Menu Navigation	NAV	W	0	5	n/a	1	0:Menu Key 1:Up Key 2:Down Key 3:Select Key 4:Left Key 5:Right Key
81	Menu Transparency	TOE	RW	0	4	0	5	0:0% 1:25% 2:50% 3:75% 4:100%
91	Mute	MTE	RW	0	1	0	1	0:disable; 1:enable
103	Overscan	OVS	RW	0	1	0	1	0:disable, 1:enable
104	Phase(Frequency)	MSS	RW	0	31	x	1	RGB source only
108	Power	PWR	RW	0	1	0	1	0:Turn Off 1:Turn On
111	Presets	PST	RW	0	6	source Specific	1	0:Presentation 1:Bright 2:Game 3:Movie 4:TV 5:sRGB 6:User
114	Projector Firmware Ver.	FVS	R	string				LX136-445IF-DPXXX LX176-445IF-DPXXX
115	Projector High Power (Normal) Hours	LTO	R	0	9999			Displays the numbers of hours that the projector has run in High Power (Normal) mode over its life (including all lamps).
116	Projector Info menu	PRI	R		1		1	Display Projector Info menu

No	Function	Command	RW	Min	Max	Default	Step	Parameter
117	Projector Low Power (Eco) Hours	LTE	R	0	9999			Displays the numbers of hours that the projector has run in Low Power (Eco) mode over its life (including all lamps).
118	Projector Model	MDL	R	string				IN134UST / IN136UST
119	Projector Resolution	NRS	R	string				XGA / WXGA
121	Projector Total Hours	LMT	R	0	9999		1	
123	Reset Lamp Hours	LRT	RW	1	2	n/a	1	Reset Lamp Hour(Status, MFG:current)
126	Search Screen	DSU	RW	0	4	0	1	0:Black 1:Red 2.Green 3.Blue 4.White
130	Sharpness	SHP	RW	0	100	50	1	
155	System State	SYS	R	0	18	0	1	0: Standby 2: Start Up 12: Cooling 18: Error
158	Tint	TNT	RW	0	100	50	1	
160	Tracking	MTS	RW	-5	5	0	1	RGB source only -5~5
162	Vert. Keystone	DKV	RW	-40	40	0	1	
164	Vert. Position	VPS	RW	x	x	0	1	RGB source only (VPS?) to get range (VPS+) (VPS-)
167	Volume	VOL	RW	0	8	4	1	0~8