



EBARA

Ahead  *Beyond*

Model DKEU/DKEXU

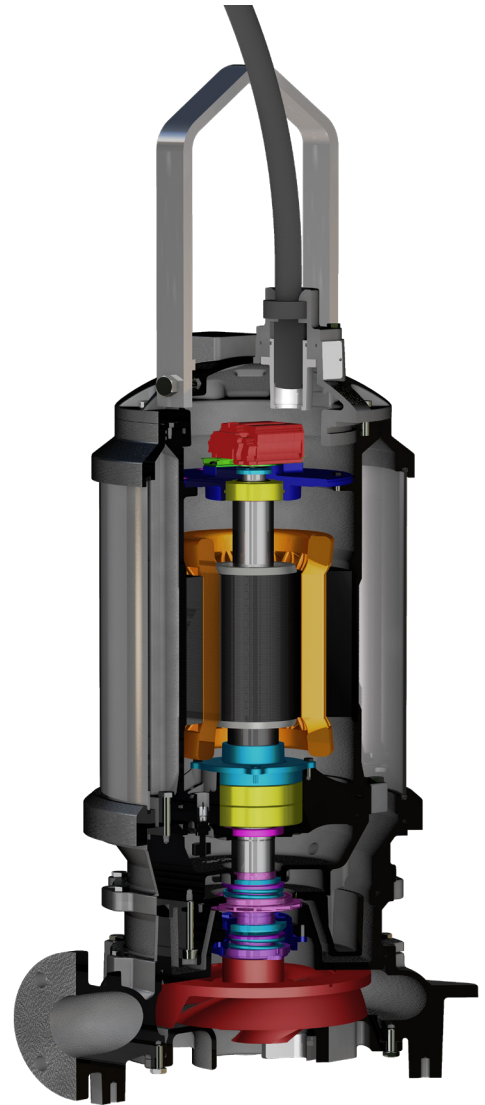
Submersible Pump with Anti-Clog Technology



Model DKEU/DKEXU

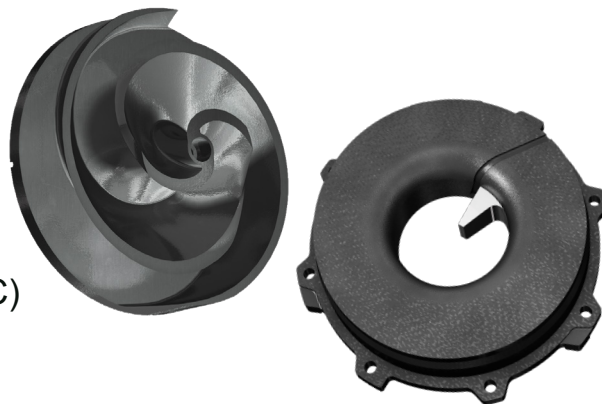
Features

- Improved efficiency & Flow and Head
- Heavy-duty, premium IE3 efficiency
 - motor operates cooler
 - 20 starts per hour
 - higher efficiency reduces operating costs
 - FM/FMC Explosion Proof Available
- Internal Cooling System (ICS)
 - SS Cooling Jacket
 - Standard for 7.5 hp - 30 hp
 - Optional for 2 hp - 5 hp
- Backswept Impeller works with a guide pin and suction cover groove for Anti-clog performance
- Double mechanical seals - operate in a glycol solution (ICS motors) or an oil bath (non-ICS motors) for longer service life and lower maintenance costs
- Single Multi-conductor cable for power & control
- Watertight cable entry system
- Stainless steel shaft
- Minimum 50,000 hours life with single and double row thrust bearings
- Oversized stainless steel lifting bail
- Easy replaceable wear components
- Easier maintenance, service, and adjustment
- Optional detachable casing legs



Specifications

- Discharge Size: 2" to 10"
- ANSI Flanges
- Power Range: 2 to 30 hp
- Capacity: 20 to 2800 gpm
- Head: 7 to 185 feet
- Max. liquid temperature: 104°F (40°C)
- FM/FMc Explosion Proof (Optional)



Detailed performance and technical data available
at www.pumpsebara.com/product/dkeu-dkexu/



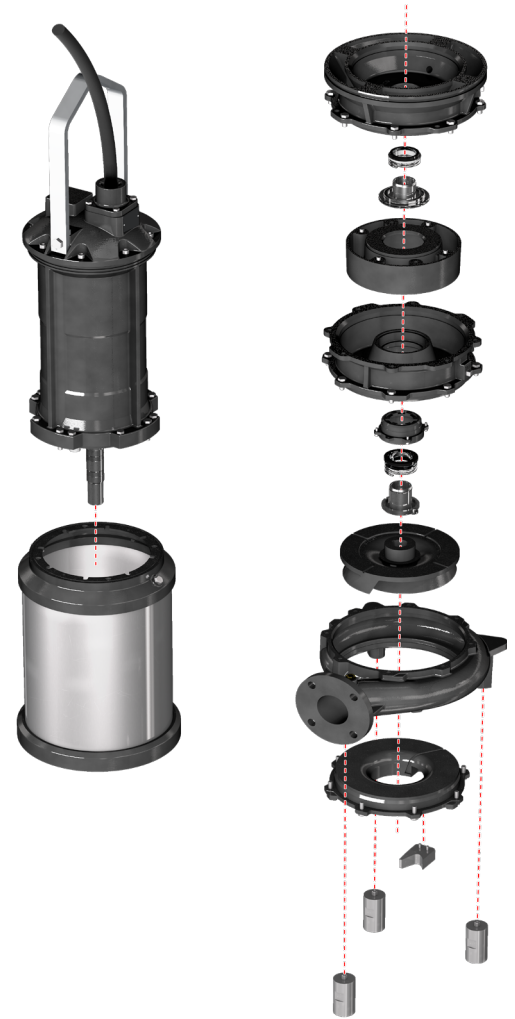
EBARA

EBARA Pumps Americas Corporation
www.pumpsebara.com

Model DKEU/DKEXU

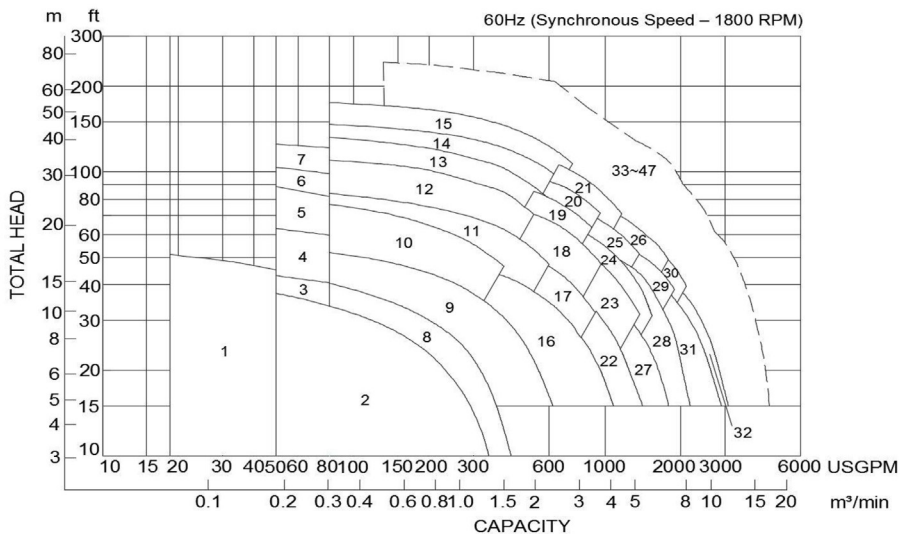
Standard Specifications

Construction and Materials Specifications			
Power	2hp - 5hp	7.5hp - 30hp	40hp - 60hp
Discharge	2", 3", 4"	3", 4", 6", 8", 10"	4", 6", 8", 10"
Application	Submersible (max 65ft)		
Installation	QDC or Stand Alone		
Flange	ANSI/Class 150		
Liquid Type	Wastewater and Sewage including fibrous materials		
Liquid Temp	32F-104F (0-40C)		
Motor Class	IE3 60Hz, Air Filled, 3-Phase, 4-Pole, H-Insulation		
Voltage	208,230/460V(Dual)	460V	
Starting Method	DOL / Inverter Duty Rated		
Protection Class	IP68		
Explosion Proof	FM, FMC Class 1 Div. 1: Grp C&D / Temp Class: T3C		
Thermal Prot.	Built in Thermal Detector		
Leak Detection	Float Type Switch		
Cable	50ft - Single Cable w/ Power & Control together		
ICS System	Optional	Standard	
ICS Coolant	PG 50% Solution (-10C-100C)		
Casing/Volute	ASTM Class 35 Cast Iron	Ductile Cast Iron	
Impeller	ASTM Class 35 Cast Iron		
Motor Frame	ASTM Class 35 Cast Iron		
Cooling Jacket	304 Stainless Steel		
Shaft	403 Stainless Steel		
Mechanical Seal	Lower Seal-Liquid Side: SiC/SiC/NBR Upper Seal-Motor Side: Ceramic/Carbon/NBR		



Performance Range

Three Phase 60Hz



EBARA

EBARA Pumps Americas Corporation
www.pumpsebara.com



Applications

Municipal • Water • Wastewater • Lift Stations • Packaged Pump Systems
Storm Water and Flood Control • Industrial

Your Local EBARA representative: _____

ENGINEEREDfor**PERFORMANCE**

EBARA Pumps Americas Corporation

1651 Cedar Line Drive, Rock Hill, SC 29730
t (803) 327-5005 | f (803) 327-5097

www.pumpsebara.com

All specifications subject to change without notice.
©2018 EBARA Pumps Americas Corporation, All rights reserved. rev. 0523